

Official Bulletin of the Industrial Property

Inventions

Utility Models

Designs

Trademarks



საქართველოს ინტელექტუალური
საკუთრების ეროვნული ცენტრი

საქპატენტი

SAKPATENTI

NATIONAL INTELLECTUAL PROPERTY
CENTER OF GEORGIA

www.sakpatenti.gov.ge

Date of Publication – 2022 02 10

3(582)

INID CODES FOR IDENTIFICATION OF BIBLIOGRAPHIC DATA

INVENTIONS, UTILITY MODELS

- (10) Number of publication for application, which has been examined
- (11) Number of patent and kind of document
- (21) Serial number of application
- (22) Date of filing of the application
- (23) Date of exhibition or the date of the earlier filing and the number of application, if any
- (24) Date from which patent may have effect
- (31) Number of priority application
- (32) Date of filing of priority application
- (33) Code of the country or regional organization allotting priority application number
- (44) Date of publication of application not granted, but examined and number of bulletin
- (45) Date of publication of registered document
- (51) International Patent Classification Index

- (54) Title of the invention
- (57) Abstract
- (60) Number of examined patent document granted by foreign patent office, date from which patent has effect and country code
- (62) Number of the earlier application and in case of divided application, date of filing an application
- (71) Name, surname and address of applicant (country code)
- (72) Name, surname of inventor (country code)
- (73) Name, surname and address of patent owner (country code)
- (74) Name, surname of representative or patent attorney
- (85) Date of commencement of the national phase of International Application
- (86) Number and date of filing of international application
- (87) Number and date of publication of international application
- (94) Calculated date of expiry of the SPC or the duration of the SPC

DESIGNS

- (10) Number of publication for application
- (11) Number of patent and kind of document or number of registration
- (15) Date of registration/Date of patent renewal
- (18) Expected expiration date of patent or registration
- (21) Serial number of application
- (22) Date of filing of the application
- (23) Date of exhibition or the date of the earlier filing and the number of application, if any
- (24) Date from which patent may have effect
- (28) Number of designs included in the application
- (30) Data relating to priority (number of application, date of filing of application, two-letter code identifying the authority with whom the priority application was made)
- (31) Number of priority application
- (32) Date of filing of priority application
- (33) Code of the country or regional organization allotting priority application number
- (34) Two-letter code according to WIPO St.3 identifying the authority with which the priority application was made
- (44) Date of publication of design and number of bulletin (the first publication)
- (45) Date of publication of design registered by WIPO and number of bulletin

- (51) International Classification for designs (class and subclass of the Locarno Classification)
- (54) Title of the invention
- (55) Reproduction of the design
- (57) Description of characteristic features of the design including indication of colors
- (58) Date of recording of any kind of amendment in the Register
- (62) Number of the earlier application, registration and document number and if available the date of filing an application in case of divided application
- (71) Name, surname and address of applicant (country code)
- (72) Name, surname of creator (country code)
- (73) Name, surname and address of patent owner (country code)
- (74) Name, surname of representative or patent attorney
- (81) Contracting states concerned
 - II designated contracting states according to the 1960 Act
 - III designated contracting states according to the 1999 Act
- (85) Owner's permanent address
- (86) Owner's nationality
- (87) Owner's residence
- (88) State in which the owner has a real and effective industrial or commercial establishment

TRADEMARKS

- (111) - Number of registration
- (151) - Date of registration
- (156) - Date of the renewal
- (181) - Expected expiration date of registration
- (186) - Renewal expiration date of registration
- (141) - Date of cancel of duration of the mark
- (210) - Serial number of application
- (220) - Date of filing of the application
- (230) - Data concerning exhibition
- (260) - Number of application, for which favorable decision of examination about registration has been taken (publication number)
- (310) - Number of the first application
- (320) - Date of filing of the first application
- (330) - Code, identifying national or regional Office where the first application was made
- (511) - International Classification of Goods and Services for the purposes of registration of trade marks and/or list of goods and/or services classified according thereto
- (526) - Disclaimer
- (531) - Description of figurative elements of Trade Marks according to the International Classification of the Figurative Elements of Marks

- (540) - Reproduction of Trade Mark
- (550) - Nature and kind of Trade Mark
- (551) - Indication to the effect that the mark is a collective mark, a certification mark or a guarantee mark
- (554) - Three-dimensional mark
- (580) - Date of recording of any kind changes in respect of applications or registrations
- (591) - Information concerning colors claimed
- (731) - Name and address of the applicant
- (732) - Name and address of the holder of the registration
- (740) - Name and address of the representative
- (750) - Addreses for correspondence
- (770) - Name and address of the previous applicant or holder in case of change in ownership
- (771) - Previous name and address of the applicant or holder in case of change in ownership
- (791) - Name and address of the licensee
- (793) - Indication of conditions and/or restrictions under the license (Type of license, number of license agreement, data of license, data of validity of license)
- (800) - Certain data relating to the international registration of Trade Marks under the Protocol Relating to Madrid Agreement (International registration number
- (852) - Partial cancellation of the list of goods and services
- (891) - Date of subsequent designation

CODES FOR PUBLICATION IN BULLETIN

- (21) AP 0000 000000 - serial number of application for invention
- (10) AP 0000 0000 A - number of published application for invention (first publication)
- (11) P 0000 0000 B - number of patent for invention (second publication)
- (21) API 0000 000000 - number of application for imported patent
- (11) PI 0000 0000 A - number of imported patent (first publication)
- (21) AU 0000 000000 - serial number of application for utility model
- (10) AU 0000 000 U - number of published application for utility model (first publication)
- (11) U 0000 000 Y - number of patent for utility model (second publication)
- (21) AD 0000 000000 - serial number of application for design
- (10) AD 0000 000 S - number of published application for design (first publication)
- (11) D 0000 000 S - registered design

INTERNATIONAL PATENT CLASSIFICATION FOR INVENTIONS AND UTILITY MODELS

- SECTION A - HUMAN NECESSITIES
- SECTION B - PERFORMING OPERATIONS; TRANSPORTING
- SECTION C - CHEMISTRY; METALLURGY
- SECTION D - TEXTILES; PAPER
- SECTION E - FIXED CONSTRUCTIONS
- SECTION F - MECHANICAL ENGINEERING; LIGHTING; HEATING; WEAPONS; BLASTING
- SECTION G - PHYSICS
- SECTION H - ELECTRICITY

-
- M - Trade Mark
 - (210) AM 0000 000000 - Serial number of application;
 - (260) AAM 0000 00000 A - Publication number of application;
 - (111) M 0000 00000 R - Number of registration;
 - (111) MMM0000 00000 Rn - Number of renewals, in which n=1,2,3;
 - (111) M 0000 00000 R(P) - Number of registration under partial assignment of rights
-

Official Bulletin of the Industrial Property

Inventions

Utility Models

Designs

Trademarks

CONTENT

PUBLISHED TITLES OF PROTECTION	3
INVENTIONS	
▪ APPLICATIONS APPROVED FOR GRANTING PATENT	4
▪ PATENTED INVENTIONS	6
UTILITY MODELS	
▪ APPLICATIONS APPROVED FOR GRANTING PATENT	8
▪ PATENTED UTILITY MODELS	9
DESIGNS	
▪ APPLICATION APPROVED FOR REGISTRATION	10
▪ REGISTERED DESIGNS	12
▪ DESIGNS REGISTERED ACCORDING TO THE ACCELERATED PROCEDURE	13
▪ DESIGNS, WHICH HAVE BEEN REGISTERED WITH THE INTERNATIONAL BUREAU CLAIMING PRIORITY ON THE TERRITORY OF GEORGIA	15
TRADEMARKS	
▪ APPLICATIONS FILED UNDER THE NATIONAL PROCEDURE APPROVED FOR REGISTRATION	33
▪ REGISTERED TRADEMARKS	43
▪ TRADEMARKS REGISTERED ACCORDING TO THE ACCELERATED PROCEDURE	48
▪ INTERNATIONAL TRADEMARKS FOR WHICH A DECISION ON GRANTING PROTECTION IS TAKEN	50
▪ INTERNATIONAL TRADEMARKS PROTECTED IN GEORGIA	107
OFFICIAL NOTIFICATIONS	
INVENTIONS	
▪ RESTORATION OF PATENT.....	123
▪ ABOLITION OF PATENTS WITH THE RIGHT TO RESTORE.....	123
▪ EXPIRATION OF TERMS OF RESTORATION OF PATENTS.....	125
▪ EXPIRATION OF TERM OF PATENT.....	126
▪ CHANGES OF NAMES AND/OR ADDRESSES OF PATENTOWNER.....	126
UTILITY MODELS	
▪ RESTORATION OF PATENTS.....	127
▪ ABOLITION OF PATENTS WITH THE RIGHT TO RESTORE.....	128
▪ EXPIRATION OF TERM OF RESTORATION OF PATENTS.....	128
▪ TRANSFER OF RIGHT.....	129
DESIGNS	
▪ EXTENSION OF TERM OF DESIGN REGISTRATION.....	129
▪ CANCELLATION OF DESIGNS REGISTRATION.....	129
▪ CHANGES OF OWNER DATA.....	130
▪ EXTENSION OF TERMS OF INTERNATIONAL DESIGNS REGISTRATION	130
TRADEMARKS	
▪ EXTENSION OF TERMS OF TRADEMARK REGISTRATION.....	137
▪ COMPLETE TRANSFER OF RIGHTS.....	142
▪ CHANGES OF NAMES AND/OR ADDRESSES OF TRADEMARK OWNER.....	143
▪ CANCELLATION OF TRADEMARKS REGISTRATION.....	144
▪ REGISTRATION OF LICENSE AGREEMENTS.....	148
CLASSIFICATION INDEXES	
INVENTIONS	150
UTILITY MODELS	151
DESIGNS	152
TRADEMARKS	155

PUBLISHED TITLES OF PROTECTION

INVENTIONS

- **APPLICATIONS APPROVED FOR GRANTING PATENT:**
15466; 14922; 15566; 15170
- **PATENTED INVENTIONS:**
7346-7351

UTILITY MODELS

- **APPLICATIONS APPROVED FOR GRANTING PATENT:**
15775; 15550
- **PATENTED UTILITY MODELS:**
2107, 2108

DESIGNS

- **APPLICATION APPROVED FOR REGISTRATION:**
1236
- **REGISTERED DESIGNS:**
919-921
- **DESIGNS REGISTERED ACCORDING TO THE ACCELERATED PROCEDURE:**
922
- **DESIGNS, WHICH HAVE BEEN REGISTERED WITH THE INTERNATIONAL BUREAU CLAIMING PRIORITY ON THE TERRITORY OF GEORGIA:**
217335; 214565; 214563; 214713; 214708; 214621; 217639; 217690

TRADEMARKS

- **APPLICATIONS FILED UNDER THE NATIONAL PROCEDURE APPROVED FOR REGISTRATION:**
98567; 99509; 110765*; 110767*; 110768*; 112264; 112475; 112599; 112668; 112940; 113216; 113218; 113225; 113260, 113261; 113281; 113378; 113399, 113400; 113422, 113423; 113485; 113498; 113504; 113584; 113589; 113592; 113594, 113595; 113600, 113601; 113609; 113613, 113614; 113616; 113686; 113697-113699; 113704; 113709, 113710; 113762; 113774; 113864; 113873, 113874; 113876; 113971; 113980, 113981; 114000, 114001; 114027; 114061; 114125
- **REGISTERED TRADEMARKS:**
34979-35032
- **TRADEMARKS REGISTERED ACCORDING TO THE ACCELERATED PROCEDURE:**
34976-34978; 35033, 35034
- **INTERNATIONAL TRADEMARKS FOR WHICH A DECISION ON GRANTING PROTECTIONS IS TAKEN:**
109580*; 112440; 112451, 112452-112454; 112518-112521; 112548, 112549; 112551; 112558; 112632-112636; 112648, 112649; 112657-112662; 112739-112741; 112750; 112757; 112765-112771; 112782; 112785; 112792-112797; 112799, 112800; 112807; 112817-112825; 112841-112846; 112864-112868; 112870; 112877; 112879; 112889-112894; 112943, 112944; 112950; 112954; 112957; 112959-112961; 112965; 112978; 112980, 112981; 112984-112986; 113062; 113069; 113071-113073; 113075; 113078; 113093; 113287; 113445-113453
- **INTERNATIONAL TRADEMARKS PROTECTED IN GEORGIA:**
107015; 108900; 110241; 110989; 111015; 111025; 111027-111030; 111056; 111107-111114; 111116-111121; 111132; 111135, 111136; 111164; 111166-111174; 111185-111195; 111197-111199; 111210-111222; 111220-111222; 111224-111230; 111232; 111240-111253; 111263; 111284-111292; 111294, 111295; 111309; 111313-111315; 111348; 111359, 111360; 111362-111378; 111383; 111389; 111393; 111451-111455; 111466--111477; 111479-111487; 111547, 111548; 111550; 111552; 111555; 111557, 111558; 111565-111573; 111575; 111577; 111620; 111628-111630; 111638; 111640, 111641; 111643-111650; 111652; 111663, 111664; 111667-111670; 111673-111677; 111679-111682; 111761; 111773-111775; 111779; 111802; 111804; 111806; 111827-111829; 111831; 111910, 111911; 111921; 111924; 112010

INVENTIONS

APPLICATIONS APPROVED FOR GRANTING PATENT

The decision can be appealed at the Chamber of Appeal of Sakpatenti within 3 months from the publication or at the Mtskheta District Court Administrative Cases Board (Address: №17, Samkhedro St., Mtskheta), within 1 month following the publication.

PART A

A 61

(10) AP 2022 15466 A (51) Int. Cl. (2006)

A 61 K 8/23
A 61 K 31/10
A 61 K 31/07
A 61 K 31/19
A 61 K 31/375
A 61 K 33/24
A 61 K 8/362
A 61 K 8/365
A 61 K 8/67
A 61 K 31/28
A 61 P 17/06
A 61 P 17/08
A 61 P 17/00
A 61 Q 17/00
A 61 Q 19/00

(21) AP 2019 15466 (22) 2019 04 04

(31) 62/654,540

(32) 2018 04 09

(33) US

(71) Noon Aesthetics M.R LTD (IL)

18 Ahavat Zion Street, 6215317 Tel-Aviv,
Israel (IL)

(72) ROSMAN, Eran (IL);

MINKIN, Masha (IL)

(74) Shalva Gvaramadze

(85) 2020 10 12

(86) PCT/IL2019/050386, 2019 04 04

(54) TOPICAL FORMULATIONS COMPRISING
STRONTIUM AND METHYLSULFONYL-
METHANE (MSM) AND METHODS OF
TREATMENT

(57) Composition comprises strontium, methylsulfo-
nylmethane, and cosmetically or pharmaceutically
acceptable carrier.

Claims: 4 independents

10 dependents

Fig.: 10

(10) AP 2022 14922 A (51) Int. Cl. (2006)

A 61 K 47/68

A 61 K 39/395

C 07 K 16/28

(21) AP 2018 14922 (22) 2018 04 13

(31) 62/323,249; 62/432,314; 62/323,228

(32) 2016 04 15; 2016 12 09; 2016 04 15

(33) US; US; US

(71) Macrogenics Inc. (US)

9704 Medical Center Drive Rockville,
MD 20850, USA (US)

(72) LOO, Deryk, T. (US);

HUANG, Ling (US);

JOHNSON, Leslie, S. (US);

SON, Thomas (US);

SCRIBNER, Juniper (US);

BONVINI, Ezio (US)

(74) Liliana Darakhvelidze

(85) 2018 11 12

(86) PCT/US2017/027317, 2017 04 13

(54) NOVEL B7-H3 BINDING MOLECULES,
ANTIBODY DRUG CONJUGATES
THEREOF AND USAGE THEREOF

(57) An invention relates to humanized B7-H3-bin-
ding molecules conjugated to healing component,
particularly, doucarmicyn used for various kinds of
cancers treatment.

Claims: 12 independents

31 dependents

Fig.: 13

PART B**B 21**

- (10) AP 2022 15566 A (51) Int. Cl. (2006)
B 21 C 5/00
B 21 J 7/16
- (21) AP 2021 15566 (22) 2021 02 22
- (71) LEPL "Rafiel Dvali Institute of Machine Mechanics" (GE)
Mindeli St. 10, 0186, Tbilisi, Georgia (GE)
- (72) Tamaz Natriashvili (GE);
Revaz Kavtaradze (GE);
Slava Mebonia (GE)
- (54) ROTATIONAL WEDGE TRACTION MACHINE

(57) A machine includes a pole 1 whereon having four beats the forge block with lower 2 and upper 3 cases having lower and upper beats fastened thereon is fixed. Side sliders 4 and 5, whereon side beats are fastened, are engaged to the cases 2 and 3 with inclined surfaces thereof; at that, forge block is serounded with pressing ring 12, which inner profiled surface is in touch constantly with the rollers 10 and 11 fixed onto lower 2 and upper 3 cases. Furthermore, pressing ring 12 with outer cylindrical surface stand inside of pulley-flywheel 13 and is hingedly connected thereto. Pulley-flywheel 13 is installed on machine pole by means of sliding bearings 14 and 15.

Claims: 1 independent

Fig.: 2

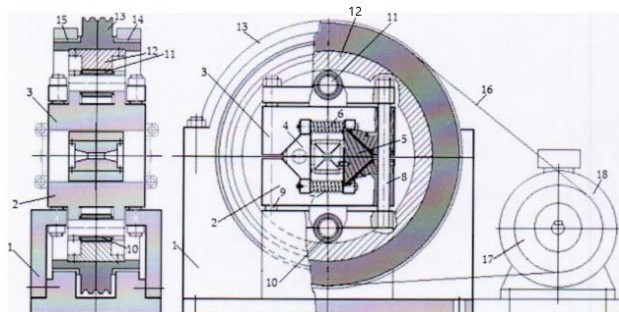


Fig. 1

PART C**C 07**

- (10) AP 2022 15170 A (51) Int. Cl. (2006)
C 07 K 16/44
C 07 K 16/18
- (21) AP 2018 15170 (22) 2018 02 27
- (31) JP 2017-035594
- (32) 2017 02 27
- (33) JP
- (71) Merck Sharp & Dohme Corp. (US)
126 East Lincoln Avenue, Rahway, NJ
07065, USA (US);
Teijin Pharma Limited (JP)
2-1, Kasumugaseki 3-chome, Chiyoda-ku,
Tokyo, 100-0013, Japan (JP)
- (72) EGUCHI, Hiroshi (JP);
MIECZKOWSKI, Carl (US);
NAMIKI, Naoko (JP);
RAGHUNATHAN, Gopalan (raghu) (US);
MURAKAMI, Takashi (JP);
TANOKURA, Akira (JP);
BAKER, Jeanne, E. (US);
PARMENTIER BATTEUR, Sophie (US);
JABLONSKI, Angela, Marie (US);
MALASHOCK, Daniel, Stephen (US)
- (74) Shalva Gvaramadze
- (85) 2019 08 15
- (86) PCT/IB2018/000249, 2018 02 27
- (54) HUMANIZED ANTIBODY FOR TREATING OR PREVENTING COGNITIVE DISORDERS, PROCESS FOR PRODUCING THE SAME, AND AGENT FOR TREATING OR PREVENTING COGNITIVE DISORDERS USING THE SAME
- (57) An invention relates to compositions of humanized antibodies that bind tau protein that is phosphorylated at serine at position 413, to preparation method and usage thereof, as well.
- Claims: 8 independents
7 dependents
- Fig.: 15

PATENTED IVENTIONS
PART A**A 61**

- (11) P 2022 7351 B (51) Int. Cl. (2006)
A 61 K 39/00
A 61 K 9/16
- (10) AP 2021 15318 A (44) 16(572)/2021
(21) AP 2018 15318
(22) 2018 09 11
(24) 2018 09 11
(31) 17192260.2
(32) 2017 09 20
(33) EP
(86) PCT/EP2018/074520, 2018 09 11
(73) Tillotts Pharma AG (CH)
Baslerstrasse 15, Rheinfelden 4310,
Switzerland (CH)
(72) BRAVO, Roberto (CH);
WETZEL, Carmen (CH);
VARUM, Felipe (CH);
VON ROCHOW, Laetitia (CH)
(74) Tamar Kochlamazashvili
(54) PREPARATION OF SOLID DOSAGE
FORMS COMPRISING ANTIBODIES BY
SOLUTION/SUSPENSION LAYERING
-

PART C**C 02**

- (11) P 2022 7348 B (51) Int. Cl. (2006)
C 02 F 1/52
- (10) AP 2021 15036 A (44) 10(566)/2021
(21) AP 2019 15036
(22) 2019 03 28
(24) 2019 03 28
(73) LLC "Georgian Minerals Group" (GE)
Al. Griboedov St. 31, app. 19, Ozurgeti,
Georgia (GE)
(72) Tengiz Sharashidze (GE);
Sergey Ayrapetyan (AM)
(74) Irakli Gogoladze
(54) METHOD AND EQUIPMENT FOR
WASTEWATER TREATMENT
-

PART E**E 02**

- (11) P 2022 7349 B (51) Int. Cl. (2006)
E 02 D 17/20
E 02 D 29/02
- (10) AP 2021 14774 A (44) 17(573)/2021
(21) AP 2016 14774
(22) 2016 10 06
(24) 2016 10 06
(31) 62/239.416
(32) 2015 10 09
(33) DK
(86) PCT/US2016/055768, 2016 10 06
(73) Tensar Corporation LLC (US)
2500 Northwinds Parkway Suite 500
Alpharetta, Georgia, 30009, USA (US)
(72) TYAGI, Manoj Kumar (US);
SHELTON, William Stanley (US)
(74) Tamaz Shilakadze
(54) GEOGRID MADE FROM COEXTRUDED
MULTILAYERED POLYMER
-

E 06

- (11) P 2022 7346 B (51) Int. Cl. (2006)
E 06 B 11/02
- (10) AP 2021 15149 A (44) 16(572)/2021
(21) AP 2019 15149
(22) 2019 07 22
(24) 2019 07 22
(73) Avtandil Kistauri (GE)
Vill. Ghulelebi, Tianeti Region, Georgia (GE)
(72) Avtandil Kistauri (GE)
(54) ROLLING DOOR
-

PART F**F 41**

- (11) P 2022 7350 B (51) Int. Cl. (2006)
F 41 H 1/02
- (10) AP 2021 14161 A (44) 14(570)/2021
- (21) AP 2016 14161
- (22) 2016 06 02
- (24) 2016 06 02
- (73) Ada Iakobidze (GE)
Bakhtrioni St. 24, app. 28, 0194, Tbilisi,
Georgia (GE)
- (72) Ada Iakobidze (GE)
- (54) METHOD FOR PREPARATION OF
HUMAN TORSO INDIVIDUAL
RIGID PROTECTING MEANS
-

PART G**G 07**

- (11) P 2022 7347 B (51) Int. Cl. (2006)
G 07 C 13/00
- (10) AP 2021 15364 A (44) 15(571)/2021
- (21) AP 2020 15364
- (22) 2020 06 11
- (24) 2020 06 11
- (73) Archil Prangishvili (GE)
Lui Paster St. 1a, app. 1, 0102, Tbilisi,
Georgia (GE);
Levan Imnaishvili (GE)
Nutsubidze Plateau IV mcr., corp. 11, app. 46,
0183, Tbilisi, Georgia (GE);
Maguli Bedineishvili (GE)
Nutsubidze Plateau IV mcr., corp. 11, app. 46,
0183, Tbilisi, Georgia (GE);
Ketevan Tsomaia (GE)
Kostava St. 75, app. 127, 0175, Tbilisi,
Georgia (GE)
- (72) Archil Prangishvili (GE);
Levan Imnaishvili (GE);
Maguli Bedineishvili (GE);
Ketevan Tsomaia (GE)
- (54) BIOMETRIC VOTING SYSTEM
-

UTILITY MODELS

APPLICATIONS APPROVED FOR GRANTING PATENT

The decision can be appealed at the Chamber of Appeal of Sakpatenti within 3 months from the publication or at the Mtskheta District Court Administrative Cases Board (Address: №17, Samkhedro St., Mtskheta), within 1 month following the publication.

PART A

A 01

- (10) AU 2022 15775 U (51) Int. Cl. (2006)
A 01 C 9/06
(21) AU 2021 15775 (22) 2021 10 28
(71) Omar Marsagishvili (GE)
Krtsanisi St. 3, bld. b, app. 2, 0114, Tbilisi,
Georgia (GE)
(72) Omar Marsagishvili (GE)
(54) DEVICE FOR KHINKALI FORMATION
(57) A device includes a stand 17 having a bracket 18 and product forming knot with circular plate 14 for pasta and filler accommodation, hollow cylindrical case 1, disposed therein, reciprocally movable vertical axis 2 and horizontal discs 5 and 6 connected to each other hingedly by means of clamps 3 and forming blades 4. Upper disc 6 is fixed onto vertical axis, and lower disc 5 – onto the case. The device is equipped with pasta forming cylindrical head 24 installed hingedly on the stand by means of lever 26, and the head is capable to impact on the plate for pasta and filler accommodation, and to be open. Furthermore, the device has excentrical mechanism 19-23 to move vertical axis.

Claims: 1 independent

Fig.: 14

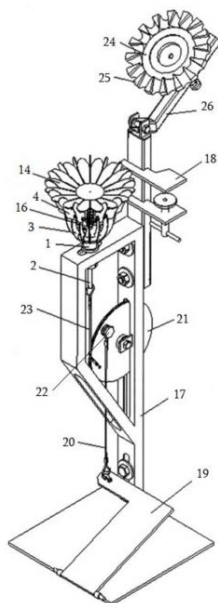


Fig. 1

PART G

G 09

- (10) AU 2022 15550 U (51) Int. Cl. (2006)
G 09 F 19/00
(21) AU 2021 15550 (22) 2021 02 03
(71) Shota Chedia (GE)
Bagebi, bld. 3, app. 62, 0162, Tbilisi,
Georgia (GE)
(72) Shota Chedia (GE)
(74) Shalva Gvaramadze
(54) MOBILE ADVERTISING SYSTEM
(57) Mobile advertising system is provided. The system includes attached onto a vehicle e.g. car the hologram reading lazer system, wherein changeable advertising material is preloaded.
Claims: 1 independent

PATENTED UTILITY MODELS

PART A

A 01

- (11) U 2022 2108 Y (51) Int. Cl. (2006)
A 01 K 67/033
(10) AU 2021 15477 U (44) 11(567)/2021
(21) AU 2020 15477
(22) 2020 10 27
(24) 2020 10 27
(73) Mamuka Verulava (GE)
Baratashvili St. 12, app. 2, Tbilisi,
Georgia (GE)
(72) Mamuka Verulava (GE)
(74) Tamaz Shilakadz
(54) METHOD FOR HOUSEFLY WORM
GROWTH
-

- Teimuraz Kordzakhia (GE);
Tinatin Sharashenidze (GE);
Manana Burjanadze (GE);
Giorgi Antia (GE)
(54) COMPLEX PROLONGED ACTION ZEOLITE
FERTILIZER PRODUCED WITH
NANOTECHNOLOGY
-

PART C

C 05

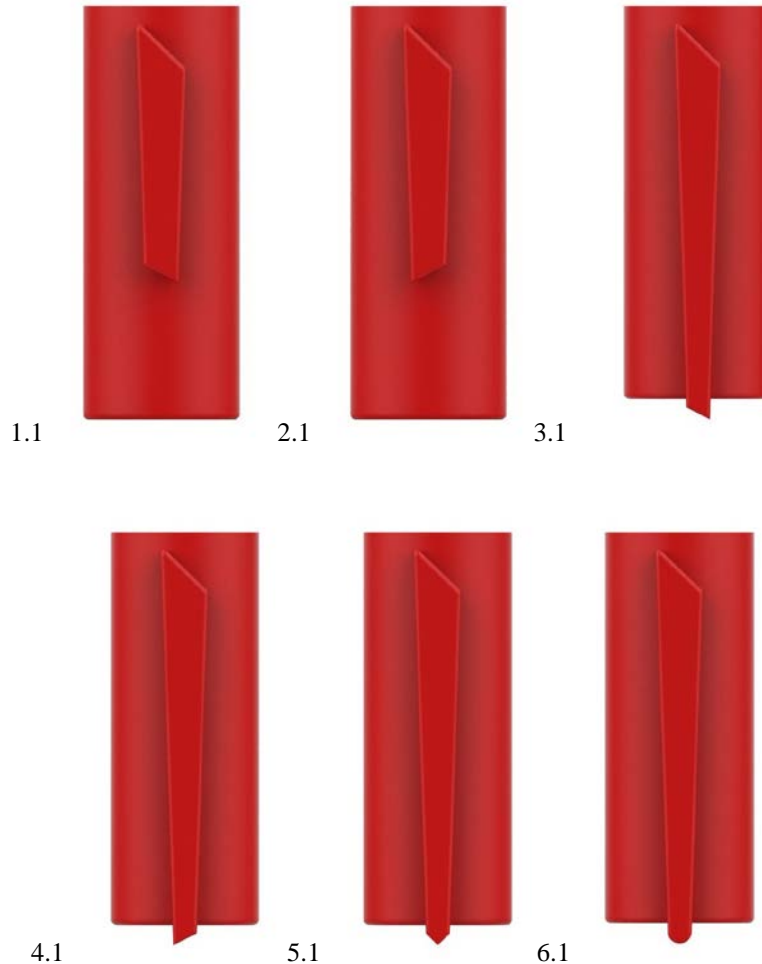
- (11) U 2022 2107 Y (51) Int. Cl. (2006)
C 05 G 3/00
(10) AU 2021 15374 U (44) 18(574)/2021
(21) AU 2020 15374
(22) 2020 06 19
(24) 2020 06 19
(73) Giorgi Tsintskaladze (GE)
A. Politkovskaya St. 31, Tbilisi, Georgia (GE);
Marine Zautashvili (GE)
Vazha-Pshavela Ave. 49, I qu., corp. 15, app. 6,
Tbilisi, Georgia (GE);
Teimuraz Kordzakhia (GE)
Kyiv St. 6, Tbilisi, Georgia (GE);
Tinatin Sharashenidze (GE)
Nutsbidze Plateau, IV mcr., corp. 17, app. 126,
Tbilisi, Georgia (GE);
Manana Burjanadze (GE)
Didi Dighomi, III mcr., corp. 3, app. 62, Tbilisi,
Georgia (GE);
Giorgi Antia (GE)
Meliton and Andria Balanchivadze St. 22,
app. 3, Tbilisi, Georgia (GE);
Shota Rustaveli National Scientific Foundation
of Georgia
Merab Aleksidze St., II Lane 2, Tbilisi,
Georgia (GE)
(72) Giorgi Tsintskaladze (GE);
Marine Zautashvili (GE);

DESIGNS

APPLICATION APPROVED FOR REGISTRATION

The decision can be appealed at the Chamber of Appeal of Sakpatenti within 3 months from the publication or at the Mtskheta District Court Administrative Cases Board (Address: №17, Samkhedro str., Mtskheta), within 1 month following the publication.

- (10) AD 2022 1236 S (51) 27-99
(21) AD 2021 1236 (22) 2021 08 16
(28) 7
(71) Mikheil Khukhashvili (GE)
L. Asatiani St. 32, 0105, Tbilisi, Georgia (GE);
Vazha Dolaberidze (GE)
Didi Kheivani St. 21a, 0114, Tbilisi, Georgia (GE)
(72) Mikheil Khukhashvili (GE);
Vazha Dolaberidze (GE)
(74) Tamaz Shilakadze (GE)
(54) LIGHTER FASTENER
(55)





REGISTERED DESIGNS

(11) D 2022 920 S (51) 09-01
(10) AD 2021 1218 S (44) 2021 10 25 №19
(21) AD 2021 1218
(22) 2021 06 04
(24) 2021 06 04
(28) 1
(18) 2026 06 04
(71) LLC "KVARELI CELLAR" (GE)
Vill. Chikaani, 4814, Kvareli, Georgia (GE)
(72) Otar Tabatadze (GE)
(74) Khatuna Imnadze (GE)
(54) BOTTLE

(11) D 2022 919 S (51) 19-08
(10) AD 2021 1230 S (44) 2021 10 25 №19
(21) AD 2021 1230
(22) 2021 07 05
(24) 2021 07 05
(28) 1
(18) 2026 07 05
(71) Giorgi Zautashvili (GE)
D. Tavdadebuli St. 3, 4800, Kvareli,
Georgia (GE)
(72) Giorgi Zautashvili (GE)
(74) Giorgi Kartvelishvili (GE)
(54) BOTTLE LABEL

(11) D 2022 921 S (51) 19-08
(10) AD 2021 1219 S (44) 2021 10 25 №19
(21) AD 2021 1219
(22) 2021 06 04
(24) 2021 06 04
(28) 1
(18) 2026 06 04
(71) LLC "KVARELI CELLAR" (GE)
Vill. Chikaani, 4814, Kvareli, Georgia (GE)
(72) Otar Tabatadze (GE)
(74) Khatuna Imnadze (GE)
(54) BOTTLE LABEL

DESIGN REGISTERED ACCORDING TO THE ACCELERATED PROCEDURE

The decision can be appealed at the Chamber of Appeal of Sakpatenti within 3 months from the publication.

- (11) D 2022 922 S (51) 09-03
(21) AD 2021 1254 (22) 2021 12 18
(24) 2021 12 18
(28) 1
(18) 2026 12 18
(73) Beka Tskhovrebadze (GE)
Zghvisubani IV mcr., bld. 11, app. 48, 0197, Tbilisi, Georgia (GE)
(72) Beka Tskhovrebadze (GE)
(54) MATCH BOX
(55)

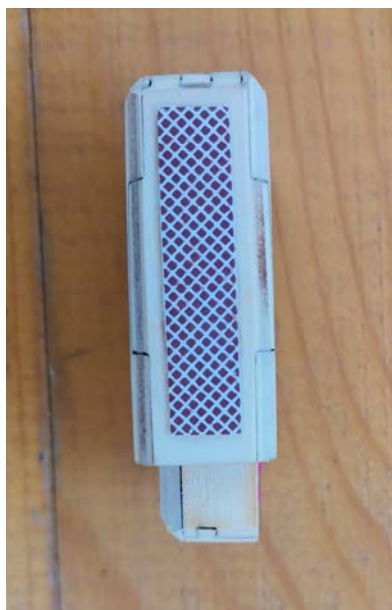




1.5



1.6



1.7

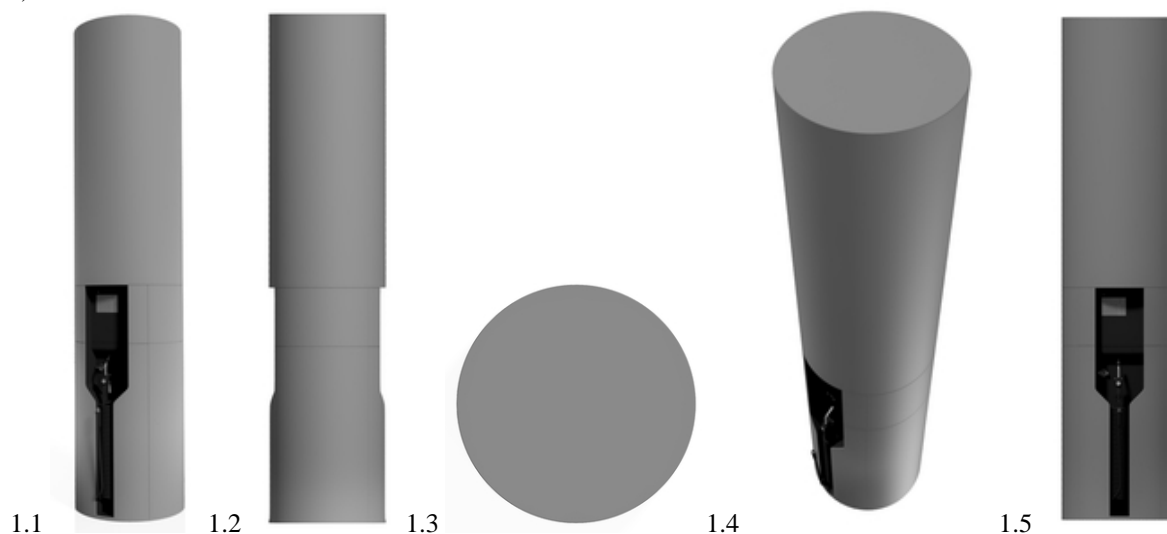


1.8

DESIGNS, WHICH HAVE BEEN REGISTERED WITH THE INTERNATIONAL BUREAU CLAIMING PRIORITY ON THE TERRITORY OF GEORGIA

The decision can be appealed at the Chamber of Appeal of Sakpatenti within 3 months from the publication or at the Mtskheta District Court Administrative Cases Board (Address: №17, Samkhedro St., Mtskheta), within 1 month following the publication.

- (11) DM/217 335 (51) 20-02
(15) 2021 10 27 (44) 46/2021 (2021 11 19)
(22) 2021 10 27
(28) 1
(30) No1: 15.10.2021; 008726731-0001; EM
(73) ECOTANK S. R. O.
Elektrárrenská 4, 831 04 Bratislava (SK)
(85) –
(86) –
(87) EM
(88) EM
(89) EM
(81) III. AL, AM, AZ, BA, BY, CA, CH, GB, GE, IS, MD, MK, NO, RS, RU, UA, US
(72) Matúš Černák
Vajanského Nábřežie 15/C, 811 02, Bratislava (SK)
(74) Róbert Porubčan
Puškinova 19, 900 28 Ivanka Pri Dunaji (SK)
(54) 1. Windshield washer fluid dispensing machine for service station
(55)



- (11) DM/214 565 (51) 11-01
 (15) 2021 05 25 (44) 47/2021 (2021 11 26)
 (22) 2021 05 25
 (28) 3
 (73) HARRY WINSTON SA
 Chemin Du Tourbillon 8, 1228 Plan-les-Ouates (CH)
 (85) CH
 (86) CH
 (87) CH
 (88) CH
 (89) CH
 (81) II. MA III. AL, AM, AZ, BA, BZ, CA, CH, EM, GB, GE, KG, LI, MC, MD, ME, MK, MN, NO, OM, SG, TN, TR, UA
 (72) 1. Rie YATSUGI-KANG
 C/o Harry Winston Inc. 718 Fifth Avenue, 10019, New York (US);
 2. Dominique RIVIERE
 C/o Harry Winston Inc. 718 Fifth Avenue, 10019, New York (US);
 3. Delphine ABDOURAHIM
 C/o Harry Winston Inc. 718 Fifth Avenue, 10019, New York (US)
 (74) The Swatch Group AG (The Swatch Group SA) (The Swatch Group Ltd.)
 Faubourg Du Lac 6, 2501 Biel/Bienne (CH)
 (54) 1. Pair of earrings, 2. Finger ring, 3. Finger ring
 (55)



1.1



1.2



1.3



1.4



1.5



1.6





1.7



1.8



2.1



2.2



2.3



2.4



2.5



2.6



2.7



2.8



3.1



3.2



3.3



3.4



3.5



3.6

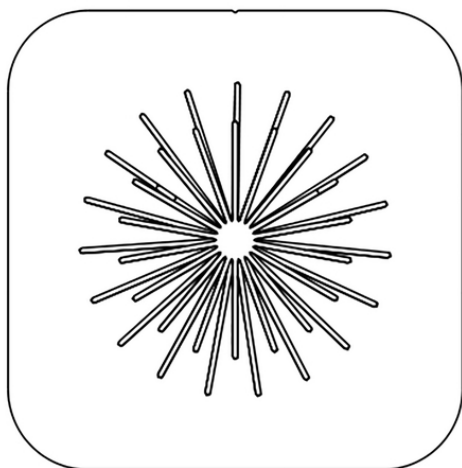


3.7

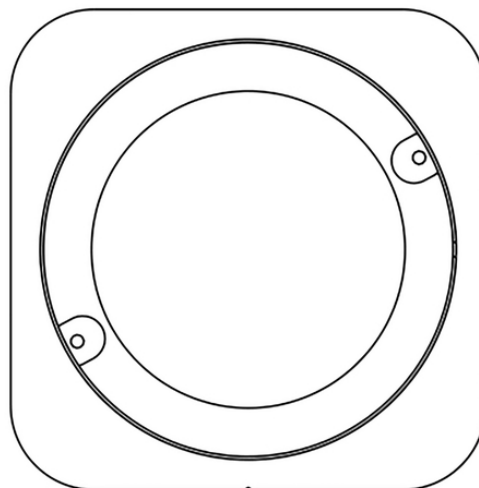


3.8

- (11) DM/214 563
- (15) 2021 05 28
- (22) 2021 05 28
- (28) 1
- (73) RADO UHREN AG (RADO WATCH CO. LTD.) (MONTRES RADO SA)
Bielstrasse 45, 2543 Lengnau (CH)
- (85) –
- (86) CH
- (87) CH
- (88) –
- (89) CH
- (81) II. MA III. BA, CH, EM, GB, GE, NO, OM, SG, TN, TR, UA, VN
- (72) Jitender Thukral
GH4-6B, GurgaonOne, Sector 22, 122015, GURGAON (IN)
- (74) The Swatch Group AG
Faubourg Du Lac 6, 2501 Biel (CH)
- (54) 1. Watch dial
- (55)



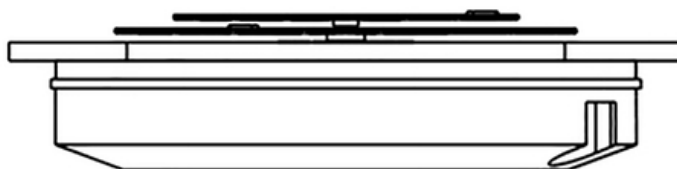
1.1



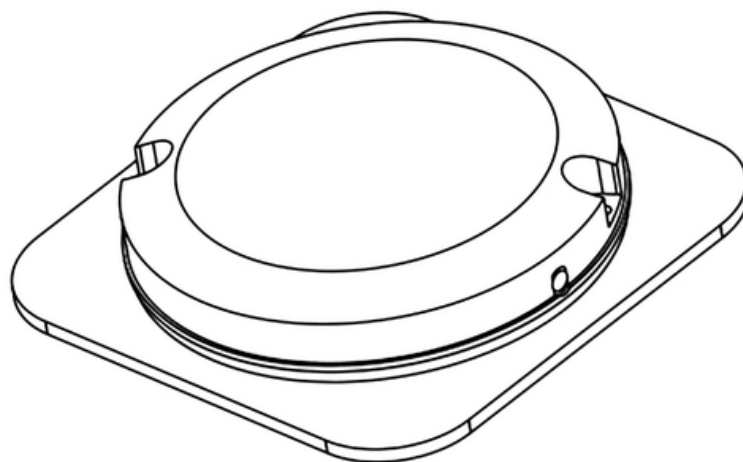
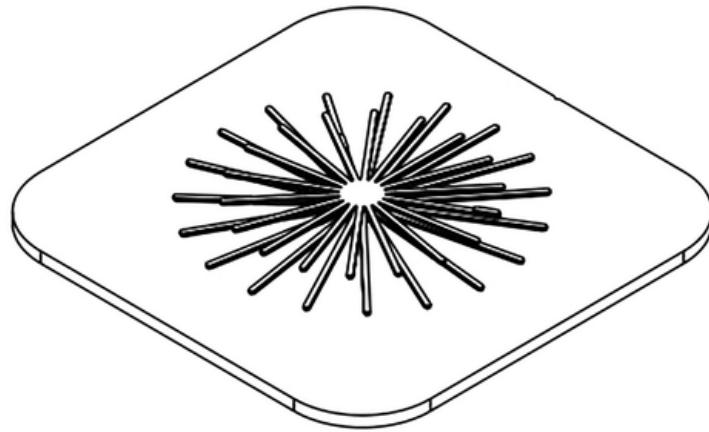
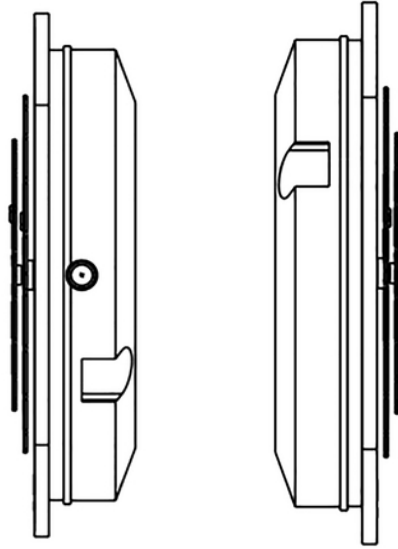
1.2



1.3



1.4



- (11) DM/214 713 (51) 11-01
(15) 2021 06 02 (44) 48/2021 (2021 12 03)
(22) 2021 06 02
(28) 6
(73) HARRY WINSTON SA
Chemin Du Tourbillon 8, 1228 Plan-les-Ouates (CH)
(85) CH
(86) CH
(87) CH
(88) CH
(89) CH
(81) II. MA III. AL, AM, AZ, BA, BZ, CA, CH, EM, GB, GE, KG, LI, MC, MD, ME, MK, MN, NO, OM, SG, TN, TR, UA
(72) 1-2; 4-5 Rie YATSUGI-KANG
C/o Harry Winston Inc., 718 Fifth Avenue, 10019, New York (US);
3. Dominique RIVIERE
C/o Harry Winston Inc., 718 Fifth Avenue, 10019, New York (US);
6. Tobias WUEST
C/o Harry Winston Inc., 718 Fifth Avenue, 10019, New York (US)
(74) The Swatch Group AG (The Swatch Group SA) (The Swatch Group Ltd.)
Faubourg Du Lac 6, 2501 Biel/Bienne (CH)
(54) 1.-2. Necklace, 3.-6. Finger ring
(55)



1.1



1.2



1.3



1.4



1.5



1.6



1.7



2.1



2.2



2.3



2.4



2.5



2.6



2.7



2.8



3.1



3.2



3.3



3.4



3.5



3.6



3.7



3.8



4.1



4.2



4.3



4.4



4.5



4.6



4.7



4.8



5.1



5.2



5.3



5.4



5.5



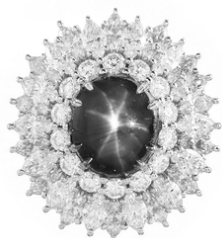
5.6



5.7



5.8



6.1



6.2



6.3



6.4



6.5



6.6

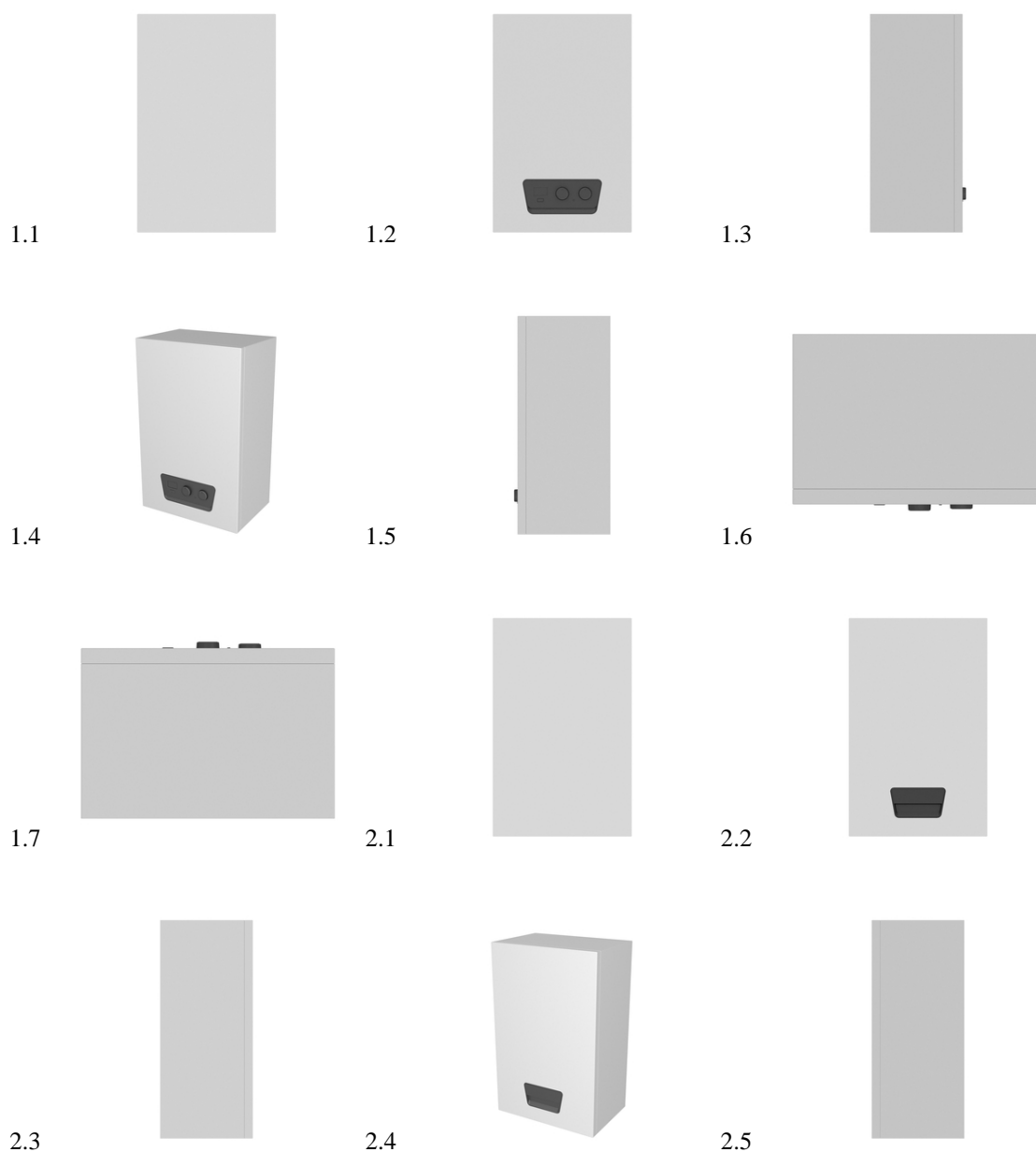


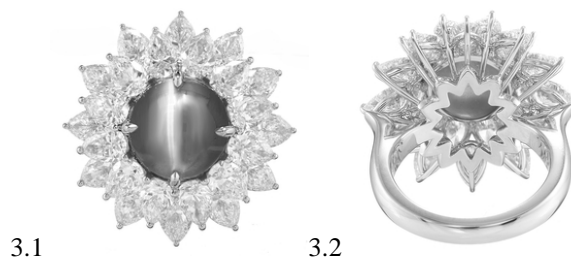
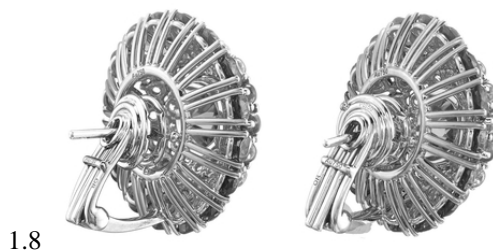
6.7



6.8

- (11) DM/214 708 (51) 23-03
 (15) 2021 05 31 (44) 48/2021 (2021 12 03)
 (22) 2021 05 31
 (28) 2
 (73) Vaillant GmbH
 Berghauser Str. 40, 42859 Remscheid (DE)
 (85) –
 (86) DE
 (87) DE
 (88) –
 (89) DE
 (81) II. GR, IT III. AZ, GE, IL, KG, MD, PL, RU, TJ, TR, UA
 (72) Hagen Fendler
 C/o Vaillant GmbH, Berghauser Strasse 40, 42859, Remscheid (DE)
 (54) 1.-2. Heating boiler
 (55)







3.7



3.8

- (11) DM/217 639 (51) 12-08
 (15) 2021 11 09 (44) 49/2021 (2021 12 10)
 (22) 2021 11 09
 (28) 3
 (30) No1: 10.05.2021; 3-2021-01149; VN; No2: 10.05.2021; 3-2021-01150; VN; No3: 15.07.2021;
 3-2021-01838; VN
 (73) VINFAST TRADING AND PRODUCTION LIMITED LIABILITY COMPANY
 Dinh Vu – Cat Hai Economic Zone, Cat Hai Island, Cat Hai Town, Cat Hai District, 180000 Hai Phong (VN)
 (85) –
 (86) VN
 (87) VN
 (88) –
 (89) VN
 (81) III. AM, AZ, BY, CA, CH, EM, GE, KG, KH, MC, MD, NO, TJ, TM, TR, UA
 (72) 3. Jaehoon Lee
 50 Duke Street Abbotsford, 3067, Victoria (AU);
 Roberto Michele Piatti
 Viale Settimio Severo 63, 10133, Turin (IT)
 (74) AMBYS HANOI LAW FIRM
 No3 Lane 123, Au Co Road, Tay Ho Dist., 100000 Hanoi (VN)
 (54) 1.-3. Electric car
 (55)



1.1



1.2



1.3



1.4



1.5



1.6



2.1



2.2



2.3



2.4



2.5



2.6



3.1



3.2



3.3



3.4

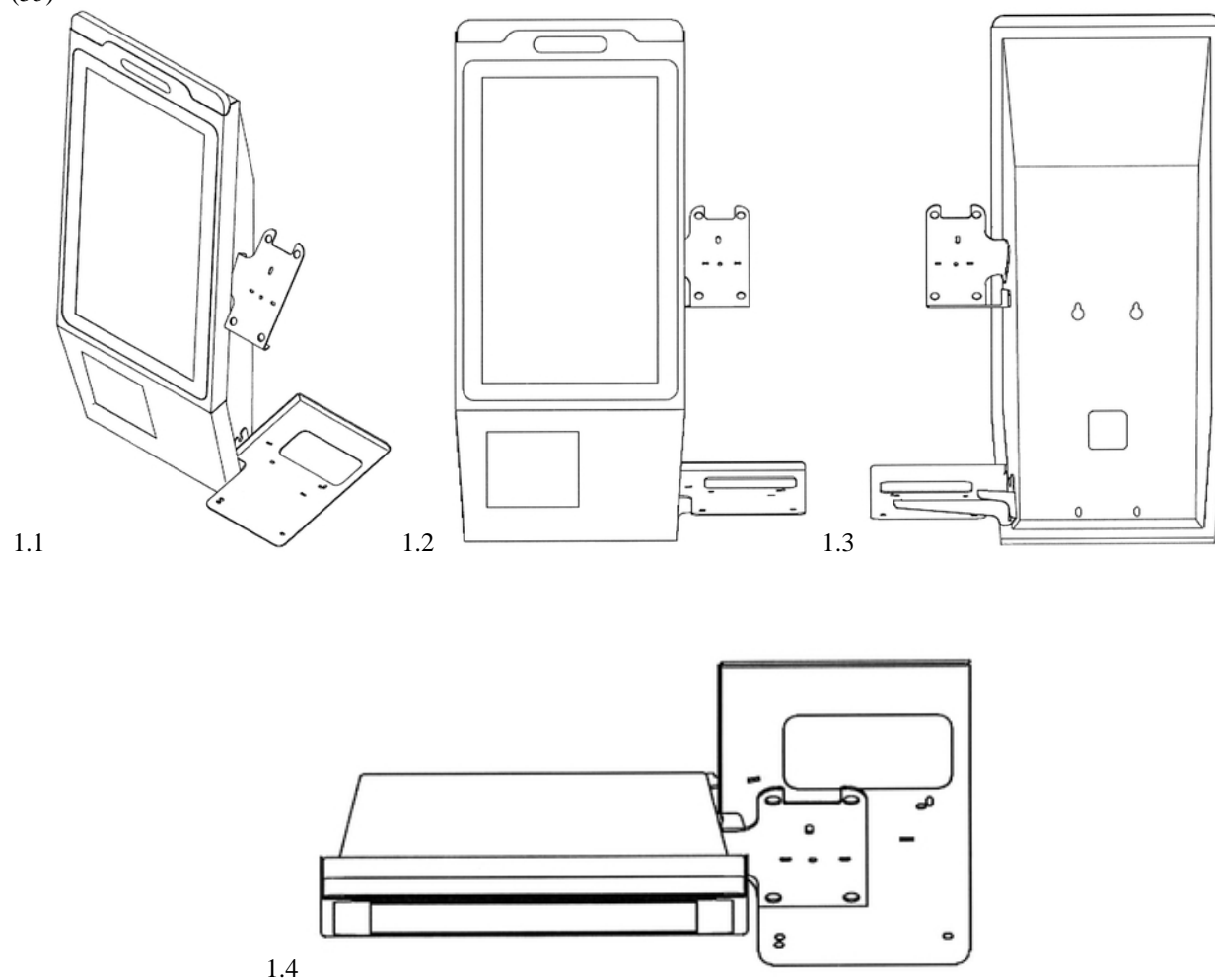


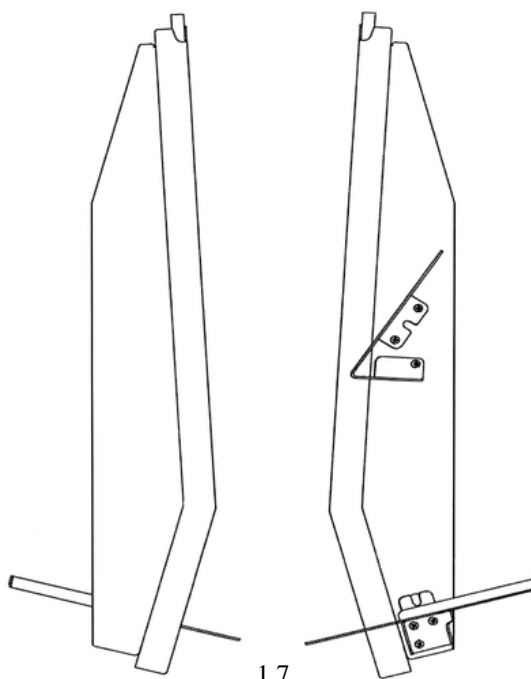
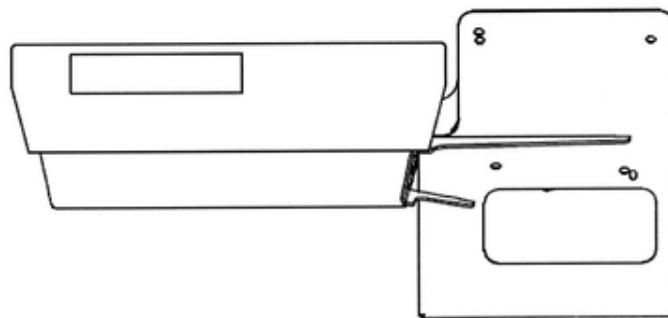
3.5



3.6

- (11) DM/217 690 (51) 20-01
 (15) 2021 09 09 (44) 49/2021 (2021 12 10)
 (22) 2021 09 09
 (28) 1
 (30) №1: 12.03.2021; 2021501241; RU
 (73) KAIZER LLC
 Varshavskaya Ul., D. 23, K. 4, Liter A, Etazh/pom/kom - 2/1№/№54, Municipal'Nyj Okrug
 Novoizmajlovskoe Vn.Ter.G, RU-196128 Sankt-Peterburg (RU)
 (85) –
 (86) –
 (87) –
 (88) RU
 (89) RU
 (81) III. AM, AZ, BY, EM, GB, GE, KG, MD, TJ, TR, UA
 (72) Aleksej Yur'evich Vagurin
 Ul. 50-letiya Komsomola, D. 35, Kv. 5, G. Kineshma, RU-155800, Ivanovskaya Obl. (RU);
 Ivan Olegovich Mel'nik
 Ul. Tallinskaya, D. 17, Korp. 2, Kv. 45, RU-123458, Moscow (RU);
 Mixail Mixailovich Gleba
 Pr-t Budenogo, D. 51, K. 4, Kv. 76, RU-105275, Moscow (RU);
 Mixail Anatol'evich Kucherenkov
 Ul. Grina, D. 1, Korp. 2, Kv. 186, RU-117216, Moscow (RU)
 (74) Online Patent LLC
 Post Box 365, RU-121151 Moscow (RU)
 (54) 1. Self-service payment terminal
 (55)





TRADEMARKS

APPLICATIONS FILED UNDER THE NATIONAL PROCEDURE APPROVED FOR REGISTRATION

The decision can be appealed at the Chamber of Appeal of Sakpatenti within 3 months from the publication or at the Mtskheta District Court Administrative Cases Board (Address: №17, Samkhedro St., Mtskheta), within 1 month following the publication.

(260) AM 2022 98567 A
(210) AM 98567
(220) 2018 07 19
(731) LTD "Zhorzholiani Trading"
Nutsbidze Plateau, II mcr., I quarter,
bld. 6, app. 6, 0183, Tbilisi, Georgia
(740) David Zhorzholiani
(540)



(591) Golden, red, blue, white
(531) 03.01.02; 03.01.20; 03.01.22; 05.03.04;
24.01.10; 24.01.15; 27.05.01; 28.19; 29.01.14
(511) 33, 35, 43

(260) AM 2022 99509 A
(210) AM 99509
(220) 2018 09 25
(731) LTD "Zhorzholiani Trading"
Nutsbidze Plateau, II mcr., I quarter,
bld. 6, app. 6, 0183, Tbilisi, Georgia
(740) David Zhorzholiani
(540)



(591) White, red, golden
(531) 03.01.01; 03.01.02; 03.01.22; 05.05.20;
05.07.10; 19.09.02; 24.01.10; 24.01.15;
24.09.01; 25.01.05; 28.19; 29.01.15
(511) 43

(260) AM 2022 110765 A*
(210) AM 110765
(220) 2020 12 07
(731) Greenme SA
Route de Pré-Bois 20, c/o Seges Conseils SA,
1215 Geneva 15 Airport, Switzerland
(740) Pavle Meipariani
(540)



(591) Black, white, orange, grey, yellow, beige,
brown
(531) 24.17.08; 26.04.02; 26.04.05; 26.04.12;
26.04.13; 26.04.22; 26.04.24; 27.05.01;
27.05.24; 29.01.15
(511) 32

(260) AM 2022 110767 A*
(210) AM 110767
(220) 2020 12 07
(731) Greenme SA
Route de Pré-Bois 20, c/o Seges Conseils SA,
1215 Geneva 15 Airport, Switzerland
(740) Pavle Meipariani
(540)



(591) Black, white, purple, grey, lilac, pink
 (531) 01.15.07; 01.15.09; 24.17.08; 26.04.02;
 26.04.12; 26.04.13; 26.04.22; 26.04.24;
 27.05.01; 27.05.24; 29.01.13
 (511) 32

(260) AM 2022 110768 A*
 (210) AM 110768
 (220) 2020 12 08
 (731) Greenme SA
 Route de Pré-Bois 20, c/o Seges Conseils SA,
 1215 Geneva 15 Airport, Switzerland
 (740) Pavle Meipariani
 (540)



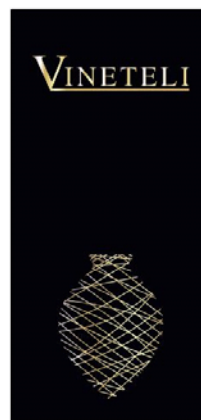
(591) Black, white, green, grey, light green
 (531) 01.15.07; 01.15.09; 24.17.08; 26.04.02;
 26.04.12; 26.04.13; 26.04.22; 26.04.24;
 27.05.01; 27.05.24; 29.01.13
 (511) 32

(260) AM 2022 112264 A
 (210) AM 112264
 (220) 2021 03 21
 (731) LTD "Dugladze Wine Company"
 Orkhevi, Akhvlediani St., Lane 8, 0109,
 Samgori District, Tbilisi, Georgia
 (740) Dimitri Dzamukashvili
 (540)



(591) F44E4E black-white
 (531) 28.05; 28.19; 29.01.07
 (526) ТБИЛИСИ, თბილისი
 (511) 33

(260) AM 2022 112475 A
 (210) AM 112475
 (220) 2021 07 28
 (731) Gocha Darakhvelidze
 Zaza Bendeliani St. 3/48, Tbilisi, Georgia
 (540)



(591) Golden, black
 (531) 19.09.02; 26.04.02; 26.04.09; 26.04.22;
 26.04.24; 26.11.09; 27.05.01; 27.05.11;
 27.05.24
 (511) 33

(260) AM 2022 112599 A
 (210) AM 112599
 (220) 2021 04 14
 (731) LTD "Papashvili Distiller"
 Galaktion Tabidze St. 7, Tabakhmela,
 Mtatsminda District, Tbilisi, Georgia
 (540)



(591) White, golden, black
 (531) 02.01.01; 25.01.09; 25.01.19; 26.01.14;
 27.05.03; 27.05.24; 28.19; 29.01.13
 (526) BAKHTRIONI, ვახუშტის პორტრეტი,
 Portrait of Vazha-Pshavela
 (511) 33

(260) AM 2022 112668 A
 (210) AM 112668
 (220) 2021 04 16
 (731) LTD "Bolero & Company"
 Kuchishvili St. 12-14-16, 0179, Tbilisi,
 Georgia

(540)

Тайна Кахетий
ტაინა კახეთი
Taina Kakheti

(591) Black-white

(526) Кахетий, კახეთი, Kakheti

(511) 33

(260) AM 2022 112940 A

(210) AM 112940

(220) 2021 05 13

(731) Elguja Basilaia

Chubinashvili St. 68, Tbilisi, Georgia

(540)



(591) Dark blue, red, ivory

(531) 26.01.01; 26.01.03; 26.01.18; 26.01.24;
26.04.10; 26.04.24; 27.05.01; 27.05.24;
29.01.13

(511) 20

(260) AM 2022 113216 A

(210) AM 113216

(220) 2021 05 31

(731) Giorgi Bochorishvili

Tetri Giorgi St. 1, Lane 6, 0159, Tbilisi,
Georgia

(740) Davit Dzamukashvili

(540)

Chizzy
ჩიზიზი

(591) Black-white

(511) 29, 30

(260) AM 2022 113218 A

(210) AM 113218

(220) 2021 05 31

(731) Irine Khundadze

Z. Paliashvili St. 5, app. 16, 0179, Tbilisi,
Georgia

(740) Giorgi Taktakishvili

(540)



(591) Lilac, yellow, white, black

(531) 01.15.07; 02.03.01; 25.01.05; 25.01.25;
27.05.01; 27.05.10; 27.05.24; 29.01.14

(511) 29, 30, 43

(260) AM 2022 113225 A

(210) AM 113225

(220) 2021 05 31

(731) Revazi Epatashvili

Vill. Shroma, Lagodekhi Region, Georgia

(540)



(591) Black, golden

(531) 01.17.11; 01.17.18; 01.17.25; 05.03.04;
05.03.19; 05.07.08; 27.05.01; 27.05.08;
27.05.24; 28.19; 29.01.12

(511) 35

(260) AM 2022 113260 A

(210) AM 113260

(220) 2021 07 08

(731) N(N)LE "Internews-Georgia"

Paolo Iashvili St. 14/22, Tbilisi, Georgia

(740) Nino Bakhtadze

(540)

“ინტერნიუსი”

(591) Black-white

(511) 16, 41

(260) AM 2022 113261 A
 (210) AM 113261
 (220) 2021 07 08
 (731) N(N)LE "Internews-Georgia"
 Paolo Iashvili St. 14/22, Tbilisi, Georgia
 (740) Nino Bakhtadze
 (540)



INTERNEWS

(591) Blue, sky-blue, white
 (531) 01.05.06; 26.15.01; 27.05.01; 29.01.04
 (511) 16, 41

(260) AM 2022 113281 A
 (210) AM 113281
 (220) 2021 06 03
 (731) LTD "Minia"
 Iliia Chavchavadze St. 17, app. 9, 6000,
 Batumi, Georgia
 (540)



(591) Orange, blue, white
 (531) 13.01.17; 14.01.10; 27.05.17; 29.01.13
 (511) 6, 7, 8, 9, 11, 35

(260) AM 2022 113378 A
 (210) AM 113378
 (220) 2021 06 06
 (731) Tamar Peikrishvili
 Nutsubidze St. 77, app. 8, 0186, Tbilisi,
 Georgia
 (540)

**ფეიქარი
 Peikari**

(591) Black-white

(511) 18, 24, 25

(260) AM 2022 113399 A
 (210) AM 113399
 (220) 2021 06 08
 (731) JSC "Kotekhi-Gurjaani Winery"
 K. Koroghlishvili St. 38, 1500, Gurjaani,
 Georgia
 (740) Dimitri Dzamukashvili
 (540)

**ასათიანი
 ASATIANI
 АСАТИАНИ**

(591) Black-white
 (511) 33

(260) AM 2022 113400 A
 (210) AM 113400
 (220) 2021 06 09
 (731) LTD "Geo Holding"
 Giorgi Saakadze descent 6, floor 5,
 Commercial Space 13, 0160, Saburtalo
 District, Tbilisi, Georgia
 (540)



(591) Black, golden
 (531) 05.01.04; 05.01.13; 05.01.16; 27.05.01;
 27.05.24; 29.01.12
 (511) 5, 35

(260) AM 2022 113422 A
 (210) AM 113422
 (220) 2021 06 09
 (731) LTD "Joy Mail"
 Grigol Lortkipanidze St. 6, app. 140, 6000,
 Batumi, Georgia
 (540)

Joy Mail

(591) 197ED1 blue, E8720B orange

(531) 20.05.13; 26.04.18; 27.01.01; 27.01.02;
27.01.03; 29.01.12
(511) 39

(260) AM 2022 113423 A
(210) AM 113423
(220) 2021 06 09
(731) LTD "Joy Mail"
Grigol Lortkipanidze St. 6, app. 140, 6000,
Batumi, Georgia
(540)



The logo for Joyka features the word "Joyka" in a blue, rounded font. The letter "k" is stylized with three orange, teardrop-like shapes extending from its right side.

(591) E8720B carnelian, 197ED1 blue
(531) 01.15.15; 02.01.23; 27.03.12; 29.01.12
(511) 39

(260) AM 2022 113485 A
(210) AM 113485
(220) 2021 06 11
(731) LTD "Teleimedi"
Ak. Tsereteli Av. 140, Didube District,
Tbilisi, Georgia
(540)



The logo for ქრონიკა (Chronika) is written in a stylized, bold Georgian script.

(591) Black-white
(511) 38, 41

(260) AM 2022 113498 A
(210) AM 113498
(220) 2021 06 15
(731) Maxeon Solar Pte. LTD
8 Marina Boulevard №05-02 Marina Bay
Financial Centre, 018981, Singapore
(740) Tamaz Shilakadze
(540)



The logo for SUNPOWER features the word "SUNPOWER" in a bold, black, sans-serif font. The letter "O" is replaced by a solid orange circle.

(591) Orange, black
(531) 27.05.01; 29.01.12
(511) 9

(260) AM 2022 113504 A
(210) AM 113504
(220) 2021 06 16
(731) LTD "Eurosteell"
Ilo Mosashvili St. 14-16, app. 13, Tbilisi,
Georgia

(540)



The logo for EUROSTEEL features the word "EUROSTEEL" in a blue, bold, sans-serif font. Above the text is a circular emblem containing the letters "ES" in a stylized, blue, sans-serif font.

(591) 423D3D morengo, 0A31AF dark blue
(531) 26.01.01; 26.01.18; 26.01.19; 27.05.01;
27.05.23; 29.01.12
(511) 35

(260) AM 2022 113584 A
(210) AM 113584
(220) 2021 06 18
(731) Burn to Give SpA
Miguel Claro 195 of. 806, Providencia,
Santiago de Chile, Chile
(740) Pavle Meipariani
(540)



The logo for betterfly features a stylized, blue, geometric butterfly icon above the word "betterfly" in a blue, lowercase, sans-serif font.

(591) blue, white
(531) 24.17.08; 26.11.11; 26.11.25; 27.05.01
(511) 35, 36, 41, 42, 44

(260) AM 2022 113589 A
(210) AM 113589
(220) 2021 06 21
(310) 2020775681
(320) 2020 12 28
(330) RU
(731) Obschestvo s Ogranichennoy
Otvetstvennostiu "WDS"
Kulakova St. 20, bldg. 1G, 123592 Moscow,
Russian Federation
(740) Giorgi Taktakishvili
(540)



The logo for R.O.C.S. Periodont features the text "R.O.C.S. Periodont" in a bold, black, sans-serif font.

(591) Black-white
(531) 27.05.01
(511) 3, 5, 21

(260) AM 2022 113592 A
 (210) AM 113592
 (220) 2021 06 21
 (731) Nippon Kayaku Kabushiki Kaisha
 1-1, Marunouchi 2-chome, Chiyoda-ku,
 Tokyo, 100-0005, Japan
 (740) Tamar Kochlamazashvili
 (540)

MATRIC

(591) Black-white
 (511) 5

(260) AM 2022 113594 A
 (210) AM 113594
 (220) 2021 06 21
 (731) Davit Pirvelashvili
 Medea Chakhava St. 4, app. 11, 0179,
 Tbilisi, Georgia;
 Levan Sgarangia
 Otar Lortkipanidze St. 6, app. 10, 0114,
 Tbilisi, Georgia
 (740) Levan Nanobashvili
 (540)

Citycom

(591) Black-white
 (511) 36, 42

(260) AM 2022 113595 A
 (210) AM 113595
 (220) 2021 06 21
 (731) Davit Pirvelashvili
 Medea Chakhava St. 4, app. 11, 0179,
 Tbilisi, Georgia;
 Levan Sgarangia
 Otar Lortkipanidze St. 6, app. 10, 0114,
 Tbilisi, Georgia
 (740) Levan Nanobashvili
 (540)



(591) Black-white
 (531) 26.01.06; 26.01.24
 (511) 36, 42

(260) AM 2022 113600 A
 (210) AM 113600
 (220) 2021 06 22
 (731) Rivian IP Holdings LLC
 13250 N. Haggerty Road, Plymouth,
 Michigan 48170, USA
 (740) Tamaz Shilakadze
 (540)



(591) Black-white
 (531) 26.03.23; 26.04.03; 26.04.07
 (511) 7, 11, 35, 36, 37, 39, 40, 41, 42, 45

(260) AM 2022 113601 A
 (210) AM 113601
 (220) 2021 06 22
 (731) Rivian IP Holdings LLC
 13250 N. Haggerty Road, Plymouth,
 Michigan 48170, USA
 (740) Tamaz Shilakadze
 (540)

RIVIAN

(591) Black-white
 (511) 7, 11, 35, 36, 37, 39, 40, 41, 42, 45

(260) AM 2022 113609 A
 (210) AM 113609
 (220) 2021 06 23
 (731) LTD "Salo"
 Ivane Javakhishvili St. 59, Tetrtskaro,
 Georgia
 (540)

paris baby

(591) Black-white
 (511) 5

(260) AM 2022 113613 A
 (210) AM 113613
 (220) 2021 06 24
 (731) JSC "Walls"
 Gio Khutsishvili St. 3, Saburtalo District,
 Tbilisi, Georgia

(540)



(591) Dark green, orange

(531) 26.04.09; 26.11.03; 26.11.05; 26.11.06;
26.11.07; 27.05.01; 27.05.10; 29.01.12

(511) 36, 37

(260) AM 2022 113614 A

(210) AM 113614

(220) 2021 06 24

(731) JSC "Walls"

Gio Khutsishvili St. 3, Saburtalo District,
Tbilisi, Georgia

(540)



(591) Dark green, orange

(531) 26.04.09; 26.11.03; 26.11.05; 26.11.06;
26.11.07; 28.19; 29.01.12

(511) 36, 37

(260) AM 2022 113616 A

(210) AM 113616

(220) 2021 06 24

(731) LTD "Beauty Way"

Kargareli St. 5, 0102, Tbilisi, Georgia

(540)



AISIA

PROFESSIONAL SKIN CARE

(591) Black-white

(531) 26.01.05; 26.11.03; 26.11.05; 26.11.12;
27.05.10

(511) 3

(260) AM 2022 113686 A

(210) AM 113686

(220) 2021 06 25

(731) Beijing Masking Technology
Development Co., LTD№1, 3F, Building 9 No.14 Maliandao Road
Xicheng District, Beijing, 100056,
People's Republic of China

(740) Khatuna Imnadze

(540)



(591) Black-white

(531) 27.05.01; 27.05.22

(511) 34, 35

(260) AM 2022 113697 A

(210) AM 113697

(220) 2021 06 29

(731) LTD "Crosty Global"

N. Zhvania St. 12, fl. 10, app. 39,
(Block II), Old Tbilisi District,
Tbilisi, Georgia

(740) Giorgi Zhorzholiani

(540)



CROSTY

(591) FFFFFFF white, 000000 black

(531) 26.04.09; 27.05.01

(511) 9, 14, 18, 26

(260) AM 2022 113698 A

(210) AM 113698

(220) 2021 06 29

(731) LLC "Crosty Global"

N. Zhvania St. 12, Fl. 10, app. 39
(Block II), Old Tbilisi District,
Tbilisi, Georgia

(740) Giorgi Zhorzholiani

(540)

თავისუფლოება

(591) Black-white

(531) 28.19

(511) 9, 14, 18, 26

(260) AM 2022 113699 A
 (210) AM 113699
 (220) 2021 06 30
 (731) LTD "Kerki"
 Vill. Dzentsmani, Keda, Georgia
 (540)



(591) White, black, blue, red, brown, grey, sky-blue, beige
 (531) 03.05.01; 03.05.03; 03.05.05; 03.05.20; 03.05.24; 03.05.25; 09.07.19; 26.01.15; 29.01.15
 (511) 29

(260) AM 2022 113704 A
 (210) AM 113704
 (220) 2021 06 30
 (731) LLC "Tifliski Vini Pogreb"
 Yumashev St. 27, 0198, Tbilisi, Georgia
 (740) Shalva Gvaramadze
 (540)

აკვარელი
AKVARELI
აკვარელი

(591) Black-white
 (511) 33

(260) AM 2022 113709 A
 (210) AM 113709
 (220) 2021 07 01
 (731) LTD "Aversi-Pharma"
 Davit Aghmashenebeli Av. 148, 0112, Tbilisi, Georgia
 (540)

ავერლასტი
Averlast
Аверласт

(591) Black-white
 (511) 3, 5

(260) AM 2022 113710 A
 (210) AM 113710
 (220) 2021 07 01
 (731) LTD "Aversi-Pharma"
 Davit Aghmashenebeli Av. 148, 0112, Tbilisi, Georgia
 (540)

ავერმილი
Avermil
Авермил

(591) Black-white
 (511) 5

(260) AM 2022 113762 A
 (210) AM 113762
 (220) 2021 07 02
 (731) LTD "NB Legal"
 Ingorokva St. 19, ent. 3, app. 30, 0108, Tbilisi, Georgia
 (540)



NB LEGAL

(591) White, black, green
 (531) 25.03.01; 25.03.05; 26.03.04; 27.01.01; 27.01.05; 27.05.01; 29.01.12
 (511) 45

(260) AM 2022 113774 A
 (210) AM 113774
 (220) 2021 07 06
 (731) Kimberly-Clark Worldwide Inc.
 Neenah, WI 54956, USA
 (740) Shalva Gvaramadze
 (540)

HUGGIES

(591) Red, white
 (531) 27.05.01; 27.05.17; 29.01.01
 (511) 3, 5

(260) AM 2022 113864 A
 (210) AM 113864
 (220) 2021 07 14
 (731) Mirone Pangani
 Vill. Agaraki, Vake District, Tbilisi, Georgia
 (540)



NAMIANI
 W I N E R Y

(591) Black, golden, white
 (531) 01.03.01; 01.03.02; 01.03.16; 01.15.23;
 29.01.13
 (511) 33, 35

(260) AM 2022 113873 A
 (210) AM 113873
 (220) 2021 07 15
 (731) Khairat Al Minafie CO for Transport and
 General Trading LTD
 27, Boulevard Saborni, Varna, 9000, Bulgaria
 (740) Liliana Darakhvelidze
 (540)

MAN ROYALS
INTERNATIONAL

(591) Black-white
 (511) 34

(260) AM 2022 113874 A
 (210) AM 113874
 (220) 2021 07 15
 (731) LTD "Genuin Brewing Company"
 Iia Chavchavadze Av. 75, bld. 3a, app. 19,
 Vake District, Tbilisi, Georgia
 (540)



(591) 5B5454 grey FFFFFFF white,
 000000 black
 (531) 03.01.01; 03.01.02
 (511) 32

(260) AM 2022 113876 A
 (210) AM 113876
 (220) 2021 07 15
 (731) LTD "Kau Tivi"
 Ramaz Chkhikvadze St. 6, app. 14, 0183,
 Tbilisi, Georgia
 (540)



(591) Black, white, brown, red, cornelian-red,
 3DA8D3 vitriol green rankings, FFFF66
 yellow rankings
 (531) 01.15.21; 25.01.19; 26.01.01; 26.01.04;
 26.01.18; 28.19; 29.01.15
 (511) 3

(260) AM 2022 113971 A
 (210) AM 113971
 (220) 2021 07 16
 (731) Eczacibasi Holding Anonim Sirketi
 Kanyon Ofis Buyukdere Cad. №185 34394
 Levent Istanbul, Turkey
 (740) Merab Kvimsadze
 (540)



(591) Dark blue, white
 (531) 26.01.02; 26.01.20; 27.05.01; 29.01.04
 (511) 1, 3, 5, 16

(260) AM 2022 113980 A
 (210) AM 113980
 (220) 2021 07 19
 (731) Ceres Fruit Juices (PTY) LTD
 Glacier Place, 1 Sportica Crescent,
 Tygervalley, Bellville, 7530, South Africa
 (740) Tamar Kochlamazashvili
 (540)

Ceres 

(591) Green, white, black
 (531) 05.03.13; 05.03.14; 27.05.01; 29.01.12
 (511) 32

(260) AM 2022 113981 A
 (210) AM 113981
 (220) 2021 07 19
 (731) LTD "TCA"
 Arboshiki St. 2, 0144, Isani District,
 Tbilisi, Georgia

(540)

**YOUR PLACE IN
 TIME AND SPACE** 

(591) Black-white
 (531) 18.05.01; 18.05.03; 24.15.01; 27.05.01;
 27.05.15
 (511) 12, 39

(260) AM 2022 114000 A
 (210) AM 114000
 (220) 2021 07 21
 (731) Whirlpool Properties Inc.
 500 Renaissance Drive, Suite 101,
 St. Joseph, Michigan, 49085, USA

(740) Giorgi Batlidze;
 Mariam Ghubianuri

(540)

Whirlpool

(591) Black-white
 (511) 7, 9, 11

(260) AM 2022 114001 A
 (210) AM 114001
 (220) 2021 07 21
 (731) Whirlpool Properties Inc.
 500 Renaissance Drive, Suite 101,
 St. Joseph, Michigan, 49085, USA

(740) Giorgi Batlidze;
 Mariam Ghubianuri

(540)

Whirlpool 

(591) Black-white
 (531) 26.01.19; 27.05.01
 (511) 7, 9, 11, 37

(260) AM 2022 114027 A
 (210) AM 114027
 (220) 2021 07 23
 (731) LTD "Incredible Caucasus"
 H. Tumanyan St. 22/Kote Apkhazi St. 55,
 Tbilisi, Georgia

(740) Gevork Melkonyan
 (540)

INDIA PALACE
ინდია პალასი

(591) Black-white
 (511) 43

(260) AM 2022 114061 A
 (210) AM 114061
 (220) 2021 07 29
 (731) JSC "Bagrationi 1882"
 Davit Sarajishvili Av. 12, 0153, Tbilisi,
 Georgia

(540)

BAGRATIONI 1882
FINEST

(591) 0A0202 Black-white
 (511) 33

(260) AM 2022 114125 A
 (210) AM 114125
 (220) 2021 07 30
 (731) LTD " FMG Soft"
 Dolidze St. 2, 0171, Tbilisi, Georgia

(540)

ინფო ბუღალტერი
Инфо Бухгалтер
Info Bukhgalter

(591) Black-white
 (511) 35

REGISTERED TRADEMARKS

(111) M 2022 34979 R
 (151) 2022 02 01
 (181) 2032 02 01
 (260) AM 2020 106957 A
 (220) 2020 02 06
 (732) LLC "ArtPharma"

Gamrekeli St. 19 (512), 0160, Tbilisi, Georgia

(111) M 2022 34985 R
 (151) 2022 02 01
 (181) 2032 02 01
 (260) AM 2020 110758 A
 (220) 2020 12 07
 (732) LTD "Bolero & Company"

Kuchishvili St. 12-14-16, 0179, Tbilisi, Georgia

(111) M 2022 34980 R
 (151) 2022 02 01
 (181) 2032 02 01
 (260) AM 2020 106956 A
 (220) 2020 02 06
 (732) LLC "ArtPharma"

Gamrekeli St. 19 (512), 0160, Tbilisi, Georgia

(111) M 2022 34986 R
 (151) 2022 02 01
 (181) 2032 02 01
 (260) AM 2020 110769 A
 (220) 2020 12 08
 (732) Otar Bidzinashvili

Vill. Tibaani, Sighnaghi, Georgia

(111) M 2022 34981 R
 (151) 2022 02 01
 (181) 2032 02 01
 (260) AM 2020 108774 A
 (220) 2020 12 10

(732) Beigene (Beijing) Co., Ltd
 N30, Saiens Park Roud, Jong-guan-kun Laif
 Saiens Park, Changping Distrikt, Beijing, People
 Republic of China

(111) M 2022 34987 R
 (151) 2022 02 01
 (181) 2032 02 01
 (260) AM 2020 110784 A
 (220) 2020 12 10

(732) Mariam Dumbadze
 Gldani, VII mcr., bld. 16, app. 89, Tbilisi,
 Georgia

(111) M 2022 34982 R
 (151) 2022 02 01
 (181) 2032 02 01
 (260) AM 2020 108775 A
 (220) 2020 12 10

(732) Beigene (Beijing) Co., Ltd
 N30, Saiens Park Roud, Jong-guan-kun Laif
 Saiens Park, Changping Distrikt, Beijing, People
 Republic of China

(111) M 2022 34988 R
 (151) 2022 02 01
 (181) 2032 02 01
 (260) AM 2020 110790 A
 (220) 2020 12 10

(732) Sopio Sioridze
 Didi Dighomi, III mcr., bld. 7, app. 47, Tbilisi,
 Georgia

(111) M 2022 34983 R
 (151) 2022 02 01
 (181) 2032 02 01
 (260) AM 2020 109019 A
 (220) 2020 07 10

(732) Pediatrica Specialist S.r.l.
 Via Nicolodi 28/A, 57121 Livorno (LI), Italy

(111) M 2022 34989 R
 (151) 2022 02 01
 (181) 2032 02 01
 (260) AM 2020 110962 A
 (220) 2020 12 22

(732) LTD "Omo Systems"
 Griva Digeni, 80, Swepko Court 6, Limassol,
 31016, Cyprus

(111) M 2022 34984 R
 (151) 2022 02 01
 (181) 2032 02 01
 (260) AM 2020 110756 A
 (220) 2020 12 07

(732) LTD "Bolero & Company"
 Kuchishvili St. 12-14-16, 0179, Tbilisi, Georgia

(111) M 2022 34990 R
 (151) 2022 02 01
 (181) 2032 02 01
 (260) AM 2020 110966 A
 (220) 2020 12 23

(732) Giorgi Chrelashvili
 Vill. Abooshik, Dedoplistskaro Region, Georgia

(111) M 2022 34991 R
(151) 2022 02 01
(181) 2032 02 01
(260) AM 2021 111412 A
(220) 2021 01 25
(732) Merck Sharp & Dohme Corp.
One Merck Drive, Whitehouse Station,
New Jersey 08889, USA

(111) M 2022 34992 R
(151) 2022 02 01
(181) 2032 02 01
(260) AM 2021 111414 A
(220) 2021 01 25
(732) Merck Sharp & Dohme Corp.
One Merck Drive, Whitehouse Station,
New Jersey 08889, USA

(111) M 2022 34993 R
(151) 2022 02 01
(181) 2032 02 01
(260) AM 2021 111525 A
(220) 2021 02 03
(732) Ana Telia
Bakradze St. 11, Tbilisi, Georgia

(111) M 2022 34994 R
(151) 2022 02 01
(181) 2032 02 01
(260) AM 2021 111526 A
(220) 2021 02 03
(732) Ana Telia
Bakradze St. 11, Tbilisi, Georgia

(111) M 2022 34995 R
(151) 2022 02 01
(181) 2032 02 01
(260) AM 2021 111587 A
(220) 2021 02 06
(732) Foshan Hai Tian Flavoring & Food Company
Limited
№16, Wen Sha Road Foshan City, Guangdong
Province, People Republic of China

(111) M 2022 34996 R
(151) 2022 02 01
(181) 2032 02 01
(260) AM 2021 111738 A
(220) 2021 02 18
(732) LTD "Redmed"
Al. Kazbegi Av. 25, app. 41, Saburtalo
District, Tbilisi, Georgia

(111) M 2022 34997 R
(151) 2022 02 01
(181) 2032 02 01
(260) AM 2021 111841 A
(220) 2021 02 22
(732) JSC "Corporation Kindzmarauli"
Ilia Chavchavadze St. 55, 4800, Kvareli, Georgia

(111) M 2022 34998 R
(151) 2022 02 01
(181) 2032 02 01
(260) AM 2021 111858 A
(220) 2021 02 23
(732) Bayer Aktiengesellschaft
Kaiser-Wilhelm-Allee, 51373 Leverkusen, Germany

(111) M 2022 34999 R
(151) 2022 02 01
(181) 2032 02 01
(260) AM 2021 111957 A
(220) 2021 03 02
(732) L3Harris Technologies Inc.
(Delaware Corporation)
1025 West NASA Boulevard, Melbourne,
Florida 32919, USA

(111) M 2022 35000 R
(151) 2022 02 01
(181) 2032 02 01
(260) AM 2021 111958 A
(220) 2021 03 02
(732) L3Harris Technologies Inc.
(Delaware Corporation)
1025 West NASA Boulevard, Melbourne,
Florida 32919, USA

(111) M 2022 35001 R
(151) 2022 02 01
(181) 2032 02 01
(260) AM 2021 111961 A
(220) 2021 03 03
(732) Sanofi Pasteur Inc.
One Discovery Drive, Swiftwater, PA
18370, USA

(111) M 2022 35002 R
(151) 2022 02 01
(181) 2032 02 01
(260) AM 2021 111962 A
(220) 2021 03 03
(732) Sanofi Pasteur Inc.
One Discovery Drive, Swiftwater, PA
18370, USA

(111) M 2022 35003 R
(151) 2022 02 01
(181) 2032 02 01
(260) AM 2021 111963 A
(220) 2021 03 03
(732) Sanofi Pasteur Inc.
One Discovery Drive, Swiftwater, PA
18370, USA

(111) M 2022 35009 R
(151) 2022 02 01
(181) 2032 02 01
(260) AM 2021 112048 A
(220) 2021 03 05
(732) Sanofi Pasteur Inc.
One Discovery Drive, Swiftwater, PA
18370, USA

(111) M 2022 35004 R
(151) 2022 02 01
(181) 2032 02 01
(260) AM 2021 111964 A
(220) 2021 03 03
(732) Sanofi Pasteur Inc.
One Discovery Drive, Swiftwater, PA
18370, USA

(111) M 2022 35010 R
(151) 2022 02 01
(181) 2032 02 01
(260) AM 2021 112049 A
(220) 2021 03 05
(732) Sanofi Pasteur Inc.
One Discovery Drive, Swiftwater, PA
18370, USA

(111) M 2022 35005 R
(151) 2022 02 01
(181) 2032 02 01
(260) AM 2021 112044 A
(220) 2021 03 05
(732) Sanofi Pasteur Inc.
One Discovery Drive, Swiftwater, PA 18370,
USA

(111) M 2022 35011 R
(151) 2022 02 01
(181) 2032 02 01
(260) AM 2021 112081 A
(220) 2021 03 10
(732) Daiichi Sankyo Europe GmbH
Zielstattstr. 48, 81379 Munich, Germany

(111) M 2022 35006 R
(151) 2022 02 01
(181) 2032 02 01
(260) AM 2021 112045 A
(220) 2021 03 05
(732) Sanofi Pasteur Inc.
One Discovery Drive, Swiftwater, PA
18370, USA

(111) M 2022 35012 R
(151) 2022 02 01
(181) 2032 02 01
(260) AM 2021 112089 A
(220) 2021 03 11
(732) Enriko Beridze
G. Tsitsishvili St. 18, Tbilisi, Georgia

(111) M 2022 35007 R
(151) 2022 02 01
(181) 2032 02 01
(260) AM 2021 112046 A
(220) 2021 03 05
(732) Sanofi Pasteur Inc.
One Discovery Drive, Swiftwater, PA
18370, USA

(111) M 2022 35013 R
(151) 2022 02 01
(181) 2032 02 01
(260) AM 2021 112095 A
(220) 2021 03 11
(732) Enriko Beridze
G. Tsitsishvili St. 18, Tbilisi, Georgia

(111) M 2022 35008 R
(151) 2022 02 01
(181) 2032 02 01
(260) AM 2021 112047 A
(220) 2021 03 05
(732) Sanofi Pasteur Inc.
One Discovery Drive, Swiftwater, PA
18370, USA

(111) M 2022 35014 R
(151) 2022 02 01
(181) 2032 02 01
(260) AM 2021 112158 A
(220) 2021 03 12
(732) JSC "Corporation Kindzmarauli"
Il. Chavchavadze St. 55, 4800, Kvareli, Georgia

(111) M 2022 35015 R
(151) 2022 02 01
(181) 2032 02 01
(260) AM 2021 112172 A
(220) 2021 03 15
(732) Gulf International Lubricants Ltd.
(Bermuda Corporation)
Victoria Place, 5th Floor, 31 Victoria Street,
Hamilton, HM 10, Bermuda

(111) M 2022 35016 R
(151) 2022 02 01
(181) 2032 02 01
(260) AM 2021 112173 A
(220) 2021 03 15
(732) Gulf International Lubricants Ltd.
(Bermuda Corporation)
Victoria Place, 5th Floor, 31 Victoria Street,
Hamilton, HM 10, Bermuda

(111) M 2022 35017 R
(151) 2022 02 01
(181) 2032 02 01
(260) AM 2021 112271 A
(220) 2021 03 22
(732) LTD "Mzetavi"
Davit Jabadze St. 31, block b, app. 81, Gldani
District, Tbilisi, Georgia

(111) M 2022 35018 R
(151) 2022 02 01
(181) 2032 02 01
(260) AM 2021 112298 A
(220) 2021 03 24
(732) LLC "Gitsa+"
Vazha-Pshavela Av. V qu., bld. 4, app. 71,
0186, Vake District, Tbilisi, Georgia

(111) M 2022 35019 R
(151) 2022 02 01
(181) 2032 02 01
(260) AM 2021 112368 A
(220) 2021 03 26
(732) Giorgi Dekanozishvili
Arsena St. 81, Settlement Tskneti, Tbilisi,
Georgia

(111) M 2022 35020 R
(151) 2022 02 01
(181) 2032 02 01
(260) AM 2021 112472 A
(220) 2021 04 02
(732) Toyota Jidosha Kabushiki Kaisha
(also trading as Toyota Motor Corporation)
1, Toiota-cho, Toiota-shi, Aichi-ken, Japan

(111) M 2022 35021 R
(151) 2022 02 01
(181) 2032 02 01
(260) AM 2021 112476 A
(220) 2021 04 05
(732) JFC International Inc.
7101 East Slauson Avenue, CA, Los Angeles,
90040-3622, USA

(111) M 2022 35022 R
(151) 2022 02 01
(181) 2032 02 01
(260) AM 2021 112477 A
(220) 2021 04 05
(732) JFC International Inc.
7101 East Slauson Avenue, CA, Los Angeles,
90040-3622, USA

(111) M 2022 35023 R
(151) 2022 02 01
(181) 2032 02 01
(260) AM 2021 112478 A
(220) 2021 04 05
(732) JFC International Inc.
7101 East Slauson Avenue, CA, Los Angeles,
90040-3622, USA

(111) M 2022 35024 R
(151) 2022 02 01
(181) 2032 02 01
(260) AM 2021 112479 A
(220) 2021 04 05
(732) JFC International Inc.
7101 East Slauson Avenue, CA, Los Angeles,
90040-3622, USA

(111) M 2022 35025 R
(151) 2022 02 01
(181) 2032 02 01
(260) AM 2021 112483 A
(220) 2021 04 05
(732) JFC International Inc.
7101 East Slauson Avenue, CA, Los Angeles,
90040-3622, USA

(111) M 2022 35026 R
(151) 2022 02 01
(181) 2032 02 01
(260) AM 2021 112484 A
(220) 2021 04 05
(732) JFC International Inc.
7101 East Slauson Avenue, CA, Los Angeles,
90040-3622, USA

(111) M 2022 35027 R
(151) 2022 02 01
(181) 2032 02 01
(260) AM 2021 112498 A
(220) 2021 04 06
(732) Novartis AG
4002 Basel, Switzerland

(111) M 2022 35028 R
(151) 2022 02 01
(181) 2032 02 01
(260) AM 2021 111446 A
(220) 2021 01 28
(732) LTD "AT"
Tsikhisdziri St. 40, 0103, Tbilisi, Georgia

(111) M 2022 35029 R
(151) 2022 02 01
(181) 2032 02 01
(260) AM 2021 112480 A
(220) 2021 04 05
(732) Giorgi Dekanozishvili
Arsena St. 81, Tskneti, Tbilisi, Georgia

(111) M 2022 35030 R
(151) 2022 02 01
(181) 2032 02 01
(260) AM 2021 109764 A
(220) 2021 04 08
(732) LTD "Badagoni Home"
Adam Mitskevich St. 29-29a, app. 65, Tbilisi,
Georgia

(111) M 2022 35031 R
(151) 2022 02 01
(181) 2032 02 01
(260) AM 2021 110192 A
(220) 2021 03 05
(732) LTD "Danieli Winery"
H. Abashidze St. 6, Saburtalo District, Tbilisi,
Georgia

(111) M 2022 35032 R
(151) 2022 02 01
(181) 2032 02 01
(260) AM 2020 111064 A
(220) 2020 12 26
(732) LTD "Nali"
Al. Meskhishvili St., bld. 11, app. 81, 3700,
Rustavi, Georgia

**TRADEMARKS REGISTERED ACCORDING TO THE
ACCELERATED PROCEDURE**

The decision can be appealed at the Chamber of Appeal of Sakpatenti within 3 months from the publication.

(111) M 2022 34976 R

(151) 2022 01 26

(181) 2032 01 26

(210) AM 116253

(220) 2022 01 20

(732) LTD "Gunda"

M. Tamarashvili St. 11, app. 141, Tbilisi,
Georgia

(540)

GUNDA

(591) Black-white

(511) 43

(111) M 2022 34977 R

(151) 2022 01 27

(181) 2032 01 27

(210) AM 116248

(220) 2022 01 20

(732) LTD "Viztech"

Zhiuli Shartava St. 32, Tbilisi, Georgia

(540)



(591) Orange, black, white

(531) 26.03.01; 26.03.05; 26.03.24; 27.05.01;
27.05.10; 27.05.21; 27.05.24; 29.01.13

(511) 42

(111) M 2022 34978 R

(151) 2022 01 28

(181) 2032 01 28

(210) AM 116247

(220) 2022 01 20

(732) Tukazban Patdakhova

Vill. Kirach-Mughanlo, Marneuli,
Georgia

(540)

Premium
Silipp
Baby

(591) Golden, green, white

(531) 27.05.01; 27.05.02; 27.05.09; 27.05.10;
29.01.12

(511) 5

(111) M 2022 35033 R

(151) 2022 02 03

(181) 2032 02 03

(210) AM 116388

(220) 2022 01 28

(732) Elshad Gojaev

Vill. Tazakendi, Marneuli, Georgia

(540)



(591) FFFFFFF white, golden, black, red, green

(531) 05.07.14; 05.07.19; 19.03.01; 19.07.01;
19.07.10; 19.07.12; 27.05.24; 29.01.15

(511) 29

(111) M 2022 35034 R

(151) 2022 02 04

(181) 2032 02 04

(210) AM 116251

(220) 2022 01 20

(732) "US Smoke Free LLC dba Puff Bar" branch in
Georgia
Varketili Settlement, IV mcr., III quarter,
bld. 13, app. 61, 0181, Samgori District, Tbilisi,
Georgia

(540)



(591) White, black, brown

(531) 10.01.03; 10.01.25; 27.05.01; 29.01.13

(511) 34, 35

INTERNATIONAL TRADEMARKS FOR WHICH A DECISION ON GRANTING PROTECTIONS IS TAKEN

The decision can be appealed at the Chamber of Appeal of Sakpatenti within 3 months from the publication or at the Mtskheta District Court Administrative Cases Board (Address: №17, Samkhedro St., Mtskheta), within 1 month following the publication.

(260) AM 2022 109580 A*

(800) 1454828

(151) 2018 10 29

(891) 2020 07 27

(731) Nabtesco Corporation

JA Kyosai Bldg., 7-9, Hirakawacho 2-chome,
Chiyoda-ku, Tokyo 102-0093, Japan

(540)

Nabtesco

(591) Black, white

(531) 27.05.01

(511)

35 – Retail services for unprocessed synthetic resins, foundry sand and metals in powder form used for 3D printers; retail services for lubricants; retail services for metal hardware; retail services for reduction gears; retail services for industrial robot parts; retail services for electric door openers and closers; retail services for construction machinery and parts therefor; retail services for automobile parts; retail services for marine vessel parts; retail services for aircraft parts; retail services for railway car parts; retail services for medical apparatus; retail services for electrical machinery and apparatus; retail services for building materials; retail services for shafts, bearings, power transmissions, shock absorbers, brakes and valves being parts of machines; retail services for shafts, bearings, power transmissions, shock absorbers, brakes and valves being parts of land vehicles; retail services for welding machines, work positioners for metalworking machines, loading and unloading machines, metalworking machines, plastic processing machines, vacuum packing machines, wrapping machines, metal forming machines, 3D printers, electromechanical food preparation machines, mechanical parking systems, electric door openers, cutting machines, drying apparatus and agricultural machines; retail services for wheelchairs and rollators; all the afore mentioned services to be provided for industrial business resellers, manufacturers, repair and maintenance service providers for machines and vehicles, not for general consumers and not in supermarkets, hypermarkets, mini-markets or general merchandise stores, as Business to Business marketing.

(260) AM 2022 112440 A

(800) 1583988

(151) 2021 01 28

(891) 2021 01 28

(731) China Tobacco Sichuan Industrial Co., Ltd.

No. 2 Longquan Section, Chenglong Avenue,
National Chengdu Economy and Technology,
Development Area, Longquanyi District,
Chengdu City, Sichuan Province, China

(540)

kuanzhai

(591) Black, white

(531) 26.03.23; 27.05.01; 27.05.04

(511)

34 – Tobacco products for the purpose of being heated; liquid nicotine solutions for use in electronic cigarettes; electronic cigarettes; electronic cigarettes as substitute for traditional cigarettes; tobacco products and tobacco substitutes; smokers' articles for electronic cigarettes; tobacco; cigarette tips; cigarette cases; flavorings, other than essential oils, for use in electronic cigarettes.

(260) AM 2022 112451 A

(800) 1584502

(151) 2021 02 08

(891) 2021 02 08

(731) Pazu Games Ltd

Sitvanit 8, 3009500 Ramat Yishay, Israel

(540)

PAZU

(591) Black, white

(511)

9 – Downloadable computer games; computer games software; downloadable computer games software; computer software platform for programming, design and development of computer games.

28 – Games; toys; electronic games.

41 – Online games services; online game services provided via Internet and other communication networks.

(260) AM 2022 112452 A
 (800) 1584515
 (151) 2020 12 21
 (891) 2020 12 21
 (731) ANHUI LIANGLIANG ELECTRONIC TECHNOLOGY CO., LTD.
 Linxi East Road, Cishan North Avenue,
 Economic Development Zone, Guangde
 County, Xuancheng City, Anhui Province,
 China

(540)


(591) Black, white
 (531) 04.05.21; 09.07.22; 13.01.06; 27.03.01;
 27.03.02

(511)
 9 – Electric conductors; cell switches [electricity]; electric heating protective sleeve; automatic time switches; electrical adapters; light regulators [dimmers], electric; electric batteries; high and low voltage switch board; electric outlet covers; plugs, sockets and other contacts [electric connections].

(260) AM 2022 112453 A
 (800) 552837
 (151) 1990 04 06
 (891) 2021 03 11
 (731) TOTAL BELGIUM
 Rue du Commerce 93, B-1040 Bruxelles,
 Belgium

(540)


(591) Black, white
 (531) 27.05.01; 27.05.17
 (511)
 4 – Oils, lubricants and greases, particularly mineral oils, lubricants and greases.

(260) AM 2022 112454 A
 (800) 860163
 (151) 2005 08 05
 (891) 2021 03 11
 (731) Peter Lehmann Wines Pty Limited
 Off Para Road, TANUNDA SA 5352, Australia

(540)


(591) Black, white
 (511)
 33 – Wine.

(260) AM 2022 112518 A
 (800) 1584794
 (151) 2021 01 29
 (891) 2021 01 29
 (731) Alcon Inc.
 Rue Louis-d'Affry 6, CH-1701 Fribourg,
 Switzerland

(540)


(591) Black, white
 (511)
 10 – Surgical apparatus and instruments for ophthalmic surgery.


(260) AM 2022 112519 A
 (800) 1584847
 (151) 2020 12 16
 (891) 2020 12 16
 (731) Perfetti Van Melle S.p.A.
 Via XXV Aprile 7, I-20020 Lainate (MI), Italy

(540)


(591) Black, white
 (511)
 5 – Confectionery adapted for medical purposes; mint compresses; dietary supplements; nutritional supplements.

30 – Caramels [candy]; chewing gum; pastry; confectionery; cakes; gum sweets; toffee; caramels [candy] and chewing gum for use as a breath freshener; fruit jellies [confectionery]; liquorice; lollipops; candy mints; pastilles; pastilles for use as a breath freshener; sugar.

(260) AM 2022 112520 A
 (800) 1584863
 (151) 2020 09 22
 (891) 2020 09 22
 (731) Mediestetik s.r.o.
 Senovazne namesti 23, CZ-110 00 Prague,
 Prague 1, Czech Republic

(540)


(591) Purple (Pantone 2645 C; Pantone 7676 C; Pantone 265)

(531) 22.02.24.; 26.02.01; 26.02.05; 29.01.05

(511)

44 – Public bath services for hygiene purposes; turkish bath services; hospital services; depilatory waxing; rehabilitation for substance abuse patients; health center services; nursing home services; hair implantation; pharmacy advice; cosmetician services; aromatherapy services; manicuring; chiropractic; massage; orthodontic services; artificial insemination services; hairdressing; midwife services; veterinary assistance; dentistry services; medical assistance; preparation of prescriptions by pharmacists; medical equipment rental; rental of sanitation facilities; beauty salon services; sanatorium services; blood bank services; health care; health counselling; health counseling; tattooing; health spa services; aquaculture services; visagists' services; rest home services; medical clinic services; opticians' services; in vitro fertilization services; in vitro fertilisation services; services of a psychologist; sauna services; solarium services; telemedicine services; therapy services; nursing, medical; physical therapy; physiotherapy; plastic surgery; tree surgery; hospice services.

(260) AM 2022 112521 A

(800) 1584907

(151) 2021 01 11

(891) 2021 01 11

(731) Tovarystvo z обмеzenoiu vidpovidalnistiu "Tekhpidtrymka-FM"
vul. Kurenivska, bud. 16 V, m. Kyiv 04073,
Ukraine

(540)



(591) Black, white

(531) 14.07.09; 27.05.01

(511)

9 – Global Positioning System (GPS) apparatus; audio- and video-receivers; audio interfaces; cordless telephones; computer memory devices; black boxes (data recorders); wearable video display monitors; video screens; camcorders, downloadable graphics for mobile phones; electronic numeric displays; electronic interactive whiteboards; electronic notice boards; downloadable emoticons for mobile phones; electronic agendas; sound recording carriers; readers (data processing equipment); interfaces for computers; computer hardware; computer software, recorded; computer programs, downloadable; computer programs,

recorded; computer operating programs, recorded; computer software applications, downloadable; computer software platforms, recorded or downloadable; monitors (computer hardware); monitors (computer programs); optical data media; invoicing machines; video recorders; security tokens (encryption devices); downloadable image files.

37 – Asphaltting; tire balancing; road paving; shipbuilding; pier breakwater building; building of fair stalls and shops; drilling of deep oil or gas wells; drilling of wells; rebuilding engines that have been worn or partially destroyed; rebuilding machines that have been worn or partially destroyed; retreading of tires; installation of doors and windows; elevator installation and repair; electric appliance installation and repair; irrigation devices installation and repair; heating equipment installation and repair; burglar alarm installation and repair; furnace installation and repair; fire alarm installation and repair; installation and repair of air-conditioning apparatus; telephone installation and repair; freezing equipment installation and repair; kitchen equipment installation; scaffolding; installation, maintenance and repair of computer hardware; machinery installation, maintenance and repair; office machines and equipment installation, maintenance and repair; vulcanization of tires (repair); building sealing; damp-proofing (building); knife sharpening; disinfecting; mining extraction; leather care, cleaning and repair; fur care, cleaning and repair; vehicle battery charging; vehicle lubrication; demolition of buildings; vermin exterminating, other than for agriculture, aquaculture, horticulture and forestry; rat exterminating services, other than for agriculture, aquaculture, horticulture and forestry; building insulating; providing information relating to repairs; providing construction information; riveting; construction consultancy; varnishing; painting, interior and exterior; vehicle washing; masonry; bricklaying; building construction supervision; tuning of musical instruments; upholstering; vehicle service stations (refuelling and maintenance); chimney sweeping; refilling of toner cartridges; underwater repair; underwater construction; retinning; roofing services; vehicle polishing; renovation of clothing; hydraulic fracturing services; vehicle breakdown repair services; quarrying services; artificial snow-making services; pest control services, other than for agriculture, aquaculture, horticulture and forestry; washing; washing of linen; laundering; linen ironing; pressing of clothing; street cleaning; rental of bulldozers; rental of road sweeping machines; rental of drainage pumps; rental of excavators; rental of cranes (construction equipment); rental of dishwashing machines; rental of laundry washing machines; rental of construction equipment; rental of dish drying machines; rental of cleaning machines; laying of cable; rustproofing; anti-rust treatment for vehicles; shoe repair; clock and watch repair; repair of power lines; film projector repair and maintenance; pump repair; upholstery repair; clothing repair; umbrella repair; pa-

rasol repair; repair of security locks; photographic apparatus repair; furniture restoration; restoration of musical instruments; restoration of works of art; factory construction; warehouse construction and repair; pipeline construction and maintenance; harbour construction; construction; sterilization of medical instruments; dry cleaning; carpentry services; swimming-pool maintenance; strong-room maintenance and repair; airplane maintenance and repair; motor vehicle maintenance and repair; burner maintenance and repair; safe maintenance and repair; furniture maintenance; vehicle maintenance; plumbing; interference suppression in electrical apparatus; painting or repair of signs; cleaning of buildings (interior); cleaning of buildings (exterior surface); window cleaning; boiler cleaning and repair; cleaning of clothing; diaper cleaning; pumicing; sanding; vehicle cleaning; wallpapering; plastering.

(260) AM 2022 112548 A

(800) 1585415

(151) 2021 02 05

(891) 2021 02 05

(731) Sichuan Sanlian New Material Co., Ltd.
No.280, Yizhou Avenue North Section,
Hi-tech Zone, Chengdu, Sichuan, China

(540)



(591) Black, white

(531) 26.03.23; 26.11.06; 26.11.08

(511)

34 – Tobacco; cigarettes; cigarette cases; oral vaporizers for smokers; electronic hookahs; devices for heating tobacco for the purpose of inhalation; lighters for smokers; cigarette filters; flavorings, other than essential oils, for tobacco; electronic cigarettes.

(260) AM 2022 112549 A

(800) 1585419

(151) 2020 09 29

(891) 2020 09 29

(731) Vogt Medical Vertrieb GmbH
Rüppurrer Strasse 1a Haus B, 76137 Karlsruhe,
Germany

(540)

Vogt Medical

(591) Black, white

(511)

5 – Hygienic preparations and articles; sanitary preparations and articles; dental preparations and articles; diagnostic preparations and materials; medical dressings; medical coverings (term too vague according to the International Bureau and rule 13 of the Common Regulations); alcohol for pharmaceutical purposes; first aid kits for domestic use; lubricants for surgical purposes; lubricants for medical use; medicinal alcohol; medicinal healthcare preparations; pre-filled syringes for medical purposes.

10 – Medical devices; clothing, headgear and footwear for medical personnel and patients; clothing, headgear and footwear, braces and supports, for medical purposes; feeding aids and pacifiers; disposable protective gloves for medical purposes; disposable hypodermic syringes for medical use; disposable medical devices for treating constipation; medical syringes; disposable syringes; injection syringes; insulin syringes; spinal syringes; catheters for urological purposes; catheters for surgical use; catheters for medical use; infusion pumps; medical gloves; medical applicators.

(260) AM 2022 112551 A

(800) 1585427

(151) 2021 02 10

(891) 2021 02 10

(731) HASEGAWA Daisuke
#805 16-1, Kinuta 2-Chome, Setagaya-Ku,
Tokyo 157-0073, Japan

(540)



(591) Yellow, gray, white

(531) 01.15.03; 03.13.05; 26.05.04; 26.05.13;
27.05.01; 29.01.13

(511)

36 – Acceptance of deposits [including substitute bond issuance] and acceptance of fixed interval installment deposits; loans [financing] and discount of bills; domestic exchange settlement; liability guarantee and acceptance of bills; securities lending; acquisition and transfer of monetary claims; safekeeping of valuables including securities and precious metals [safe deposit services]; exchanging money; trusteeship of financial futures contracts; trusteeship of money, securities, monetary claims, personal property, land, rights on land fixtures, surface rights or lease on land; agencies for bond subscriptions; foreign exchange transactions; letter-of-credit related services; brokerage of credit purchase; issuance of tokens of value; agencies for collecting gas or electric power utility payments; consigned collection of payment for goods; buying and selling of securities; trading of securities index futures; trading of securities options; trading of

overseas market securities futures; agencies for brokerage of securities, securities index futures, securities options, and overseas market securities futures; agencies for brokerage of entrusting agents with on-commission trading in domestic markets of securities, securities index futures and securities options; agencies for brokerage of entrusting agents with on-commission trading in overseas markets of securities and securities index futures; agencies for brokerage of forward agreement of securities, for forward agreement of securities index futures, for forward agreement of securities options, spot and forward transaction of securities index futures; brokerage for securities liquidation; securities underwriting; securities offering; brokerage services relating to securities subscription or offering; stock exchange quotations; agencies for trading of commodity futures; life insurance brokerage; life insurance underwriting; agencies for non-life insurance; claims adjustment for non-life insurance; non-life insurance underwriting; insurance premium rate computing; management of buildings; agency services for the leasing or rental of buildings; leasing or renting of buildings; purchase and sale of buildings; real estate agency services for the purchase or sales of buildings; real estate appraisal; providing real estate information; real estate management services relating to land; agency services for the leasing or rental of land; leasing of land; purchase and sale of land; real estate agency services for the purchase or sales of land; antique appraisal; art appraisal; appraisal of precious stones; appraisal of used automobiles; financial assessment of company credit; mutual funds; provident fund services; brokerage; financial evaluation [insurance, banking, real estate]; financial appraisals in responding to calls for tenders; providing financial information via a website; financial analysis; providing financial information; financial consultancy; financial research services; financial management; debt advisory services; investment services.

(260) AM 2022 112558 A

(800) 1585671

(151) 2020 10 02

(891) 2020 10 02

(731) WORLD MEDICINE İLAÇ SAN.VE TİC.A.Ş.
15 TEMMUZ MAH. CAMİ YOLU CAD.
NO:50, Bağcılar İstanbul, Turkey

(540)

LOQULAR—ЛОКУЛАР

(591) Black, white

(531) 28.05

(511)

5 – Pharmaceutical and veterinary preparations for medical purposes, chemical preparations for medical purposes, dietary supplements, including those adapted for medical purposes, dietary supplements for slimming purposes, food for babies, herbs and herbal

beverages adapted for medicinal purposes, dental preparations and articles, sanitary preparations for medical use, hygienic pads, hygienic tampons, plasters, materials for dressings, diapers, including those made of paper and textiles, preparations for destroying vermin, fungicides, herbicides, deodorants, other than for human beings or for animals, air deodorising preparations, disinfectants, antiseptics, detergents for medical purposes.

(260) AM 2022 112632 A

(800) 1585942

(151) 2021 02 04

(891) 2021 02 04

(731) Obschestvo s ogranichennoy otvetstvennost'yu
"NL Kontinent"
ul. Yadrinsevskaya, d. 53/1, of. 1015,
Novosibirsk; RU-630099 Novosibirskaya
oblast', Russian Federation

(540)

ECOTIZER

(591) Black, white

(511)

3 – Abrasives; amber [perfume]; descaling preparations for household purposes; antistatic preparations for household purposes; aromatics [essential oils]; air fragrancing preparations; cake flavorings [essential oils]; flavorings for beverages [essential oils]; food flavorings [essential oils]; breath freshening sprays; canned pressurized air for cleaning and dusting purposes; balms, other than for medical purposes; basma [cosmetic dye]; lip glosses; nail glitter; polishing stones; abrasive paper; emery paper; polishing paper; petroleum jelly for cosmetic purposes; shoe polish; cobblers' wax; cotton wool for cosmetic purposes; sachets for perfuming linen; drying agents for dishwashing machines; adhesives for cosmetic purposes; scented water; Javelle water; lavender water; toilet water; wax for parquet floors; floor wax; non-slipping wax for floors; depilatory wax; mustache wax; creams for leather; polish for furniture and flooring; shoemakers' wax; polishing wax; tailors' wax; massage gels, other than for medical purposes; heliotropine; dental bleaching gels; geraniol; make-up; deodorants for pets; deodorants for human beings or for animals; depilatory preparations; air fragrance reed diffusers; scented wood; perfumes; non-slipping liquids for floors; windshield cleaning liquids; greases for cosmetic purposes; volcanic ash for cleaning; perfumery; decorative transfers for cosmetic purposes; ionone [perfumery]; shaving stones [astringents]; smoothing stones; eyebrow pencils; cosmetic pencils; silicon carbide [abrasive]; carbides of metal [abrasives]; alum stones [astringents]; tripoli stone for polishing; adhesives for affixing false eyelashes; adhesives for affixing false hair; hair conditioners; quillaia bark for washing; corundum [abrasive]; beard dyes; colorants for toilet purposes; cosmetic dyes; laundry starch; laundry gla-

ze; shoe cream; polishing creams; cosmetic creams; skin whitening creams; polishing rouge; incense; hair spray; nail polish; hair lotions; lotions for cosmetic purposes; after-shave lotions; beauty masks; oils for cleaning purposes; oils for perfumes and scents; oils for cosmetic purposes; oils for toilet purposes; essential oils; essential oils of cedarwood; essential oils of lemon; essential oils of citron; bergamot oil; gaultheria oil; jasmine oil; lavender oil; almond oil; rose oil; oil of turpentine for degreasing; whitening; cleaning chalk; almond milk for cosmetic purposes; cleansing milk for toilet purposes; musk [perfumery]; soap; deodorant soap; shaving soap; soap for brightening textile; cakes of toilet soap; antiperspirant soap; soap for foot perspiration; almond soap; mint for perfumery; cosmetic kits; emery; gel eye patches for cosmetic purposes; nail art stickers; false nails; eau de cologne; bases for flower perfumes; joss sticks; pastes for razor strops; non-medicated dentifrices; pumice stone; lipstick cases; hydrogen peroxide for cosmetic purposes; breath freshening strips; teeth whitening strips; abrasive cloth; glass cloth [abrasive cloth]; lipsticks; pomades for cosmetic purposes; breath freshening preparations for personal hygiene; shaving preparations; bath preparations, not for medical purposes; cosmetic preparations for baths; hair straightening preparations; hair waving preparations; laundry soaking preparations; grinding preparations; smoothing preparations [starching]; color-removing preparations; leather bleaching preparations; polishing preparations; denture polishes; mouthwashes, not for medical purposes; cosmetic preparations for slimming purposes; starch glaze for laundry purposes; preparations to make the leaves of plants shiny; eye-washes, not for medical purposes; fabric softeners for laundry use; laundry bleach; dry-cleaning preparations; paint stripping preparations; lacquer-removing preparations; make-up removing preparations; floor wax removers [scouring preparations]; varnish-removing preparations; rust removing preparations; nail care preparations; cleaning preparations; preparations for cleaning dentures; wallpaper cleaning preparations; preparations for unblocking drain pipes; chemical cleaning preparations for household purposes; collagen preparations for cosmetic purposes; bleaching preparations [decolorants] for household purposes; laundry preparations; aloe vera preparations for cosmetic purposes; sunscreen preparations; color-brightening chemicals for household purposes [laundry]; shining preparations [polish]; make-up powder; diamantine [abrasive]; stain removers; nail varnish removers; vaginal washes for personal sanitary or deodorant purposes; scouring solutions; false eyelashes; tissues impregnated with cosmetic lotions; tissues impregnated with make-up removing preparations; baby wipes impregnated with cleaning preparations; saffrol; massage candles for cosmetic purposes; laundry blueing; turpentine for degreasing; potpourris [fragrances]; bleaching soda; washing soda, for cleaning; bath salts, not for medical purposes;

bleaching salts; fumigation preparations [perfumes]; preservatives for leather [polishes]; ammonia [volatile alkali] detergent; astringents for cosmetic purposes; eyebrow cosmetics; make-up preparations; sun-tanning preparations [cosmetics]; hair dyes; neutralizers for permanent waving; cosmetic preparations for eyelashes; cosmetic preparations for skin care; shoe wax; cosmetics; cosmetics for children; cosmetics for animals; mascara; detergents, other than for use in manufacturing operations and for medical purposes; cleansers for intimate personal hygiene purposes, non medicated; douching preparations for personal sanitary or deodorant purposes [toiletries]; degreasers, other than for use in manufacturing processes; bleaching preparations [decolorants] for cosmetic purposes; toiletry preparations; antiperspirants [toiletries]; phyto-cosmetic preparations; talcum powder, for toilet use; cotton swabs for cosmetic purposes; terpenes [essential oils]; emery cloth; cloths impregnated with a detergent for cleaning; henna [cosmetic dye]; shampoos; shampoos for animals [non-medicated grooming preparations]; shampoos for pets [non-medicated grooming preparations]; dry shampoos; sandpaper; soda lye; herbal extracts for cosmetic purposes; extracts of flowers [perfumes]; ethereal essences; badian essence; mint essence [essential oil].

5 – Acaricides; aconitine; alkaloids for medical purposes; alginates for pharmaceutical purposes; algicides; aldehydes for pharmaceutical purposes; dental amalgams of gold; dental amalgams; amino acids for veterinary purposes; amino acids for medical purposes; analgesics; anaesthetics; antibiotics; antiseptics; hand antiseptics; antiseptics based on natural ingredients; antiseptics based on thymol; medicine cases, portable, filled; first-aid boxes, filled; aluminium acetate for pharmaceutical purposes; acetates for pharmaceutical purposes; germicides; balms for medical purposes; bandages for dressings; diagnostic biomarker reagents for medical purposes; biocides; bracelets impregnated with insect repellent; bromine for pharmaceutical purposes; paper for mustard plasters; fly catching paper; reagent paper for veterinary purposes; reagent paper for medical purposes; mothproofing paper; petroleum jelly for medical purposes; vaccines; oxygen baths; antiseptic cotton; aseptic cotton; absorbent cotton; wadding for medical purposes; cotton for medical purposes; dietetic substances adapted for medical use; radiological contrast substances for medical purposes; nutritive substances for microorganisms; radioactive substances for medical purposes; bismuth subnitrate for pharmaceutical purposes; melissa water for pharmaceutical purposes; sea water for medicinal bathing; mineral waters for medical purposes; thermal water; dietary fiber; molding wax for dentists; gases for medical purposes; guaiacol for pharmaceutical purposes; sexual stimulant gels; hematogen; hemoglobin; hydrastine; hydrastinine; glycerine for medical purposes; glycerophosphates; glucose for medical purposes; gentian for pharmaceutical purposes; hor-

mones for medical purposes; mustard for pharmaceutical purposes; mustard plasters; mud for baths; medicinal mud; gamboge for medical purposes; gurgujun balsam for medical purposes; disinfectants; deodorants, other than for human beings or for animals; air deodorizing preparations; deodorants for clothing and textiles; diastase for medical purposes; digitalin; vitamin supplement patches; mineral food supplements; nutritional supplements; albumin dietary supplements; dietary supplements for animals; yeast dietary supplements; alginate dietary supplements; glucose dietary supplements; casein dietary supplements; lecithin dietary supplements; linseed oil dietary supplements; propolis dietary supplements; protein dietary supplements; protein supplements for animals; royal jelly dietary supplements; pollen dietary supplements; wheat germ dietary supplements; linseed dietary supplements; acai powder dietary supplements; dietary supplements with a cosmetic effect; enzyme dietary supplements; yeast for pharmaceutical purposes; gelatine for medical purposes; cod liver oil; isotopes for medical purposes; immunostimulants; insecticides; iodine for pharmaceutical purposes; iodides for pharmaceutical purposes; alkaline iodides for pharmaceutical purposes; iodoform; calomel [fungicide]; cream of tartar for pharmaceutical purposes; tartar for pharmaceutical purposes; camphor for medical purposes; capsules for medicines; cachets for pharmaceutical purposes; capsules made of dendrimer-based polymers, for pharmaceuticals; hemostatic pencils; wart pencils; caustic pencils; carbolineum [parasiticide]; caustics for pharmaceutical purposes; cachou for pharmaceutical purposes; quassia for medical purposes; quebracho for medical purposes; oxygen for medical purposes; gallic acid for pharmaceutical purposes; humic acid for pharmaceutical purposes; acids for pharmaceutical purposes; adhesives for dentures; surgical glues; stem cells for veterinary purposes; stem cells for medical purposes; cocaine; collagen for medical purposes; collodion for pharmaceutical purposes; corn rings for the feet; medicated sweets; angostura bark for medical purposes; barks for pharmaceutical purposes; cedar wood for use as an insect repellent; condurango bark for medical purposes; croton bark; mangrove bark for pharmaceutical purposes; myrobalan bark for pharmaceutical purposes; quinquina for medical purposes; medicated animal feed; medicinal roots; rhubarb roots for pharmaceutical purposes; lint for medical purposes; starch for dietetic or pharmaceutical purposes; creosote for pharmaceutical purposes; blood for medical purposes; cultures of microorganisms for medical or veterinary use; curare; dental lacquer; liquorice for pharmaceutical purposes; lactose for pharmaceutical purposes; medicated candies; adhesive plasters; medicines for alleviating constipation; adhesive tapes for medical purposes; lecithin for medical purposes; lotions for veterinary purposes; medicated hair lotions; lotions for pharmaceutical purposes; medicated after-shave lotions; personal sexual

lubricants; lupulin for pharmaceutical purposes; magnesia for pharmaceutical purposes; liniments; frostbite salve for pharmaceutical purposes; ointments for pharmaceutical purposes; sunburn ointments; mercurial ointments; gauze for dressings; medicinal oils; mustard oil for medical purposes; camphor oil for medical purposes; castor oil for medical purposes; oil of turpentine for pharmaceutical purposes; dill oil for medical purposes; dental mastics; dental abrasives; dental impression materials; teeth filling material; dressings, medical; surgical dressings; drugs for medical purposes; medicines for veterinary purposes; serotherapeutic medicines; medicines for human purposes; medicines for dental purposes; menthol; medicinal drinks; moleskin for medical purposes; almond milk for pharmaceutical purposes; powdered milk for babies; royal jelly for pharmaceutical purposes; milk ferments for pharmaceutical purposes; Irish moss for medical purposes; flour for pharmaceutical purposes; linseed meal for pharmaceutical purposes; fish meal for pharmaceutical purposes; fly glue; antibacterial soap; disinfectant soap; medicated soap; freeze-dried meat adapted for medical purposes; mint for pharmaceutical purposes; dietetic beverages adapted for medical purposes; malted milk beverages for medical purposes; injectable dermal fillers; narcotics; medicinal infusions; tincture of iodine; eucalyptol for pharmaceutical purposes; tinctures for medical purposes; opium; opodeldoc; decoctions for pharmaceutical purposes; antiparasitic collars for animals; cotton sticks for medical purposes; stick liquorice for pharmaceutical purposes; sulfur sticks [disinfectants]; pastilles for pharmaceutical purposes; medicated toothpaste; pectin for pharmaceutical purposes; pepsins for pharmaceutical purposes; peptones for pharmaceutical purposes; hydrogen peroxide for medical purposes; pesticides; food for babies; leeches for medical purposes; blood plasma; nicotine patches for use as aids to stop smoking; eyepatches for medical purposes; poultices; compresses; scapulars for surgical purposes; babies' diapers; diapers for pets; diapers for incontinence; breast-nursing pads; bunion pads; pomades for medical purposes; powder of cantharides; pyrethrum powder; chilblain preparations; mothproofing preparations; anti-uric preparations; bacterial preparations for medical and veterinary use; bacteriological preparations for medical and veterinary use; balsamic preparations for medical purposes; albuminous preparations for medical purposes; biological preparations for veterinary purposes; biological preparations for medical purposes; veterinary preparations; bismuth preparations for pharmaceutical purposes; vitamin preparations; diagnostic preparations for veterinary purposes; diagnostic preparations for medical purposes; douching preparations for medical purposes; bath preparations for medical purposes; therapeutic preparations for the bath; hemorrhoid preparations; preparations for callouses; lice treatment preparations [pediculicides]; acne treatment preparations; preparations

to facilitate teething; preparations for the treatment of burns; fumigation preparations for medical purposes; opotherapy preparations; air purifying preparations; bronchodilating preparations; preparations for reducing sexual activity; sterilising preparations; soil-sterilising preparations; corn remedies; pharmaceutical preparations for treating dandruff; preparations for destroying noxious animals; herbicides; preparations for destroying dry rot fungus; larvae exterminating preparations; fly destroying preparations; preparations for destroying mice; slug exterminating preparations; vermin destroying preparations; pharmaceutical preparations for skin care; contact lens cleaning preparations; lime-based pharmaceutical preparations; preparations of microorganisms for medical or veterinary use; styptic preparations; medicated eye-washes; medicinal hair growth preparations; nutraceutical preparations for therapeutic or medical purposes; opiates; anticryptogamic preparations; aloe vera preparations for pharmaceutical purposes; preparations of trace elements for human and animal use; sulfonamides [medicines]; pharmaceutical preparations; pharmaceutical preparations for treating sunburn; enzyme preparations for veterinary purposes; enzyme preparations for medical purposes; phytotherapy preparations for medical purposes; chemico-pharmaceutical preparations; chemical preparations for veterinary purposes; chemical preparations for the diagnosis of pregnancy; chemical preparations for medical purposes; chemical preparations for treating diseases affecting cereal plants; chemical preparations for treating wheat blight; chemical preparations for treating diseases affecting vine plants; chemical preparations for treating mildew; chemical preparations for treating phylloxera; chemical preparations for pharmaceutical purposes; collyrium; lead water; chemical conductors for electrocardiograph electrodes; albuminous foodstuffs for medical purposes; dietetic foods adapted for medical purposes; by-products of the processing of cereals for dietetic or medical purposes; homogenized food adapted for medical purposes; freeze-dried food adapted for medical purposes; pharmaceuticals; sanitary towels; panty liners [sanitary]; propolis for pharmaceutical purposes; pearl powder for medical purposes; radium for medical purposes; solvents for removing adhesive plasters; hydrated chloral for pharmaceutical purposes; vaginal washes for medical purposes; solutions for contact lenses; chemical reagents for medical or veterinary purposes; gum for medical purposes; rubber for dental purposes; chewing gum for medical purposes; nicotine gum for use as an aid to stop smoking; insect repellents; insect repellent incense; repellents for dogs; tissues impregnated with pharmaceutical lotions; sarsaparilla for medical purposes; sugar for medical purposes; asthmatic tea; fumigating sticks; massage candles for therapeutic purposes; suppositories; linseed for pharmaceutical purposes; tobacco-free cigarettes for medical purposes; siccatives [drying agents] for medical purposes; syrups for phar-

maceutical purposes; turpentine for pharmaceutical purposes; milking grease; greases for veterinary purposes; greases for medical purposes; lacteal flour for babies; infant formula; soporifics; bicarbonate of soda for pharmaceutical purposes; mineral water salts; bath salts for medical purposes; salts for mineral water baths; salts for medical purposes; potassium salts for medical purposes; sodium salts for medical purposes; smelling salts; malt for pharmaceutical purposes; semen for artificial insemination; alcohol for pharmaceutical purposes; medicinal alcohol; alloys of precious metals for dental purposes; ergot for pharmaceutical purposes; cooling sprays for medical purposes; digestives for pharmaceutical purposes; nervines; antibacterial handwashes; adjuvants for medical purposes; astringents for medical purposes; vermifuges; disinfectants for hygiene purposes; disinfectants for chemical toilets; appetite suppressants for medical purposes; medical preparations for slimming purposes; parasiticides; mouthwashes for medical purposes; febrifuges; depuratives; animal washes [insecticides]; detergents for medical purposes; cattle washes [insecticides]; dog washes [insecticides]; insecticidal veterinary washes; vesicants; purgatives; chemical contraceptives; antiparasitic preparations; remedies for perspiration; remedies for foot perspiration; sedatives; laxatives; tonics [medicines]; medicated toiletry preparations; media for bacteriological cultures; steroids; strychnine; serums; antioxidant pills; tanning pills; appetite suppressant pills; slimming pills; jujube, medicated; sanitary tampons; vulnery sponges; thymol for pharmaceutical purposes; biological tissue cultures for veterinary purposes; biological tissue cultures for medical purposes; smoking herbs for medical purposes; medicinal herbs; transplants [living tissues]; surgical implants comprised of living tissues; babies' diaper-pants; pants, absorbent, for incontinence; sanitary panties; charcoal for pharmaceutical purposes; fennel for medical purposes; porcelain for dental prostheses; phenol for pharmaceutical purposes; enzymes for veterinary purposes; enzymes for medical purposes; ferments for pharmaceutical purposes; formic aldehyde for pharmaceutical purposes; phosphates for pharmaceutical purposes; fungicides; quinine for medical purposes; chinoline for medical purposes; diabetic bread adapted for medical use; chloroform; flowers of sulfur for pharmaceutical purposes; cement for animal hooves; bone cement for surgical and orthopaedic purposes; dental cements; medicinal tea; herbal teas for medicinal purposes; insecticidal animal shampoos; medicated shampoos; medicated shampoos for pets; pediculicidal shampoos; medicated dry shampoos; pre-filled syringes for medical purposes; eucalyptus for pharmaceutical purposes; herbal extracts for medicinal purposes; plant extracts for pharmaceutical purposes; tobacco extracts [insecticides]; extracts of hops for pharmaceutical purposes; elixirs [pharmaceutical preparations]; ethers for pharmaceutical purposes; esters for pharmaceutical purposes; cellulose esters for

pharmaceutical purposes; cellulose ethers for pharmaceutical purposes; rat poison; poisons; bacterial poisons; jalap.

(260) AM 2022 112633 A

(800) 1586031

(151) 2021 02 05

(891) 2021 02 05

(731) Sichuan Sanlian New Material Co., Ltd.
No.280, Yizhou Avenue North Section,
Hi-tech Zone, Chengdu, Sichuan, China

(540)

KUNGFU

(591) Black, white

(531) 27.05.01

(511)

34 – Tobacco; cigarettes; cigarette cases; oral vaporizers for smokers; electronic hookahs; devices for heating tobacco for the purpose of inhalation; lighters for smokers; cigarette filters; flavorings, other than essential oils, for tobacco; electronic cigarettes.

(260) AM 2022 112634 A

(800) 1586039

(151) 2020 10 02

(891) 2020 10 02

(731) AKTÜL KAĞIT ÜRETİM PAZARLAMA
ANONİM ŞİRKETİ
Beylik Yerleri Mevkii, Gökgöz Köyü,
Pamukova, Sakarya, Turkey

(540)

BELINNO

(591) Black, white

(511)

16 – Paper and cardboard; paper and cardboard for packaging and wrapping purposes, cardboard boxes; paper towels; toilet paper; paper napkins.

(260) AM 2022 112635 A

(800) 1586056

(151) 2020 11 26

(891) 2020 11 26

(731) SERUM INSTITUTE OF INDIA PRIVATE
LIMITED
Sarosh Bhavan, 16-B/1, Dr. Ambedkar Road,
Pune-411001, India

(540)



(591) Black, white

(531) 26.01.03; 26.01.18

(511)

5 – Medicinal and pharmaceutical preparations.

(260) AM 2022 112636 A

(800) 1586117

(151) 2020 12 12

(891) 2020 12 12

(731) SERUM INSTITUTE OF INDIA PRIVATE
LIMITED
Sarosh Bhavan, 16-B/1, Dr. Ambedkar Road,
Pune-411001, India

(540)

PNEUMOSIL

(591) Black, white

(511)

5 – Vaccine.

(260) AM 2022 112648 A

(800) 1586628

(151) 2020 12 29

(891) 2020 12 29

(731) BETEK BOYA VE KİMYA SANAYİ
ANONİM ŞİRKETİ
Zümrütevler Mah. Ural Sok. No.38, Maltepe,
TR-34852 İSTANBUL, Turkey

(540)

Momento

(591) Black, white

(531) 27.05.01

(511)

2 – Paints, varnishes, lacquers, preservatives against rust, preservatives against deterioration of wood, thinners and binders for paints, pigments, preservatives for metals, shoe dyes, printing dyes and ink, toners (including filled toner cartridges), colorants for food, pharmaceuticals and beverages; raw natural resins; metals in foil and powder form for painters, decorators, printers and artists.

(260) AM 2022 112649 A
 (800) 1586645
 (151) 2021 02 18
 (891) 2021 02 18
 (731) TH S.R.L.

Via Cella Raibano, 14, I-47843 MISANO
 ADRIATICO (RN), Italy

(540)

EMG
 electric moving green

(591) Black, white

(531) 27.05.01

(511)

12 – Vehicles for use on land; electric bicycles; electric cars; parts and fittings for land vehicles; electric unicycles; two-wheeled vehicles; electrically operated scooters.

(260) AM 2022 112657 A

(800) 1079679

(151) 2011 04 22

(891) 2021 04 23

(731) Denka Company Limited

1-1, Nihonbashi-Muromachi 2-chome,
 Chuo-ku, Tokyo 103-8338, Japan

(540)

HITPLATE

(591) Black, white

(511)

9 – Printed circuit boards, circuit boards for mounting electronic components, electronic circuits, other electronic machines, apparatus and their parts.

(260) AM 2022 112658 A

(800) 1081680

(151) 2011 03 31

(891) 2021 04 01

(731) Top Glass Industries S.p.A.

Via Monte Suello 18, I-25128 Brescia (BS),
 Italy

(540)

**TOP
 GLASS**

(591) Black, white

(531) 26.04.02; 26.04.18; 26.11.08; 27.05.01

(511)

17 – Composite materials in the form of profiles, rods, bars, flexible tubes and tubes for use in manufacture; composite synthetic plastic materials, being semi-worked products in the form of rods, bars, profiles, flexible tubes and tubes; composite plastic materials, pultruded or extruded, in the form of profiles, bars, rods, flexible tubes and tubes for use in manufacture; semi-worked goods of composite synthetic plastic materials, pultruded or extruded, in the form of profiles, bars, rods, flexible tubes and tubes, for use in industry, and agriculture; bars, profiles, rods, flexible tubes and tubes of composite plastic materials.

19 – Girders not of metal, gratings not of metal, building materials, in particular profiles, bars, rods, tubes of composite materials, and conduits, not of metal, for use in construction, ducts, not of metal, for air-conditioning, ducts not of metal (not for electric circuitry); ducts, not of metal, for heating; crash barriers, not of metal; crash barriers, of composite materials, for roads; poles for fencing, not of metal; poles, not of metal; masts poles, not of metal, for electric power lines; telegraph poles; sound barriers using profiles of composite materials for use along motorways and other roads.

(260) AM 2022 112659 A

(800) 1252084

(151) 2015 01 30

(891) 2021 03 29

(731) YÜNTEKS TEKSTİL SANAYİ VE TİCARET
 LIMITED SİRKETİ

İsparta Süleyman Demirel, Organize Sanayi

Bölgesi 102, Cad. (Eski No.1514) Pk: 32730-04,

GÜMÜSGÜN-GÖNEN-İSPARTA, Turkey

(540)

alize

(591) Blue, yellow, violet, green, white

(531) 27.05.02; 29.01.15

(511)

23 – Yarns and threads for textile use; threads and yarns for sewing, embroidery and knitting; thread; elastic yarns and threads for textile use.

(260) AM 2022 112660 A

(800) 1443307

(151) 2018 10 18

(891) 2021 03 31

(731) Roche Diabetes Care GmbH

Sandhofer Strasse 116, 68305 Mannheim,
 Germany

(540)

MYSUGR

(591) Black, white

(511)

9 – Computer software and computer hardware for use in the fields of medicine and diagnostics; computer software for use in the field of diabetes; computer software for use with blood glucose monitoring instruments; computer software for the evaluation, monitoring and administration of medical data; mobile apps for medical and diagnostic applications; mobile apps for use in the fields of lifestyle, health and behavioral modification; mobile apps for providing healthcare services, namely, software for monitoring and tracking information for diabetes management purposes; computer software for recording results of blood tests from a blood glucose meter; computer software for medical and diagnostic purposes, namely, for use in transferring data from medical devices to electronic data management systems.

10 – Medical apparatus and instruments; blood glucose meters, insulin pumps and infusions sets.

38 – Providing of access to platforms and portals on the Internet in the field of medicine; providing of access to information on the Internet and other data networks in the field of medicine; providing of access to computer programs on data networks for educating physicians, health professionals and patients in relation to diabetes management; providing of access to programs and databases for exchanging information among users of a computer network (online forum) in the field of health and medicine; providing online forums for transmission of messages among computer users concerning health and medicine.

41 – Education and tuition for medical purposes in the field of diabetes; online education services; online entertainment services; provision of online training; personal coaching in the fields of lifestyle, health and behavioral modification; education in the field of health and medicine related to diabetes management, the use of blood glucose meters, insulin pumps and accessories thereof.

44 – Medical services; medical services in the field of chronic diseases; providing information and data in the field of chronic diseases via Internet; telemedicine services.

(260) AM 2022 112661 A

(800) 1533058

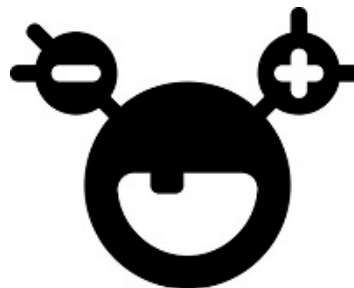
(151) 2020 04 24

(891) 2021 03 31

(731) Roche Diabetes Care GmbH

Sandhofer Strasse 116, 68305 Mannheim,
Germany

(540)



(591) Black, white

(531) 04.05.03; 24.17.05

(511)

5 – Dietary supplements and dietetic preparations; diagnostic preparations and materials; pharmaceuticals and natural remedies.

9 – Computer software; recorded content; measuring, detecting and monitoring instruments, indicators and controllers.

10 – Medical and veterinary apparatus and instruments; diagnostic, examination, and monitoring equipment.

41 – Education, entertainment and sport services; distance learning services provided online; provision of on-line entertainment; provision of online training; providing online courses of instruction.

44 – Human healthcare services; medical services.

(260) AM 2022 112662 A

(800) 1555890

(151) 2020 08 28

(891) 2021 03 26

(731) Avon Products, Inc.

1 Avon Place, Suffern, New York,
NY 10901, USA

(540)

AVON WATCH ME NOW

(591) Black, white

(511)

35 – Advertising, direct mail advertising; business information; promotional and marketing services; publicity; sales promotion; provision of commercial information; all of the aforesaid services in the field of beauty, personal care, personal inspiration and personal empowerment; retail services connected with the sale of beauty and personal care products; information, advisory and consultancy services relating to all of the aforesaid services.

(260) AM 2022 112739 A

(800) 1587007

(151) 2021 03 13

(891) 2021 03 13

(731) Kia Corporation

12, Heolleung-ro, Seocho-gu, Seoul 06797,
Republic of Korea

(540)



(591) Black, white

(531) 27.05.19; 27.07.01

(511)

12 – Vans [vehicles]; motor buses; sports cars; automobiles; electric cars; trucks.

(260) AM 2022 112740 A

(800) 1587027

(151) 2021 03 13

(891) 2021 03 13

(731) Kia Corporation

12, Heolleung-ro, Seocho-gu, Seoul 06797,
Republic of Korea

(540)



(591) Black, white

(531) 27.05.19; 27.07.01

(511)

12 – Vans [vehicles]; motor buses; sports cars; automobiles; electric cars; trucks.

(260) AM 2022 112741 A

(800) 1587055

(151) 2021 01 30

(891) 2021 01 30

(731) Hanhui Pharmaceuticals Co., Ltd.

No. 2 Haizheng Road, Xukou Town, Fuyang
District, Hangzhou City, Zhejiang Province,
China

(540)



(591) Black, white

(531) 28.03

(511)

5 – Medicines for human purposes; pharmaceutical preparations; chemico-pharmaceutical preparations;

analgesics; drugs for medical purposes; capsules for pharmaceutical purposes; sedatives, tranquillizers; biological preparations for medical purposes; chemical preparations for pharmaceutical purposes; chemical preparations for medical purposes; antibiotics; injection (medicines); tablets (medicines); bulk drugs; biochemical medicines; blood for medical purposes; tinctures for medical purposes; diagnostic preparations for medical purposes; chemical reagents for medical or veterinary purposes; radium for medical purposes; radioactive substances for medical purposes; isotopes for medical purposes; radioactive medicines; oxygen baths; gases for medical purposes; oxygen for medical purposes; chemical conductors for electrocardiograph electrodes; semen for artificial insemination; disinfectants for hygiene purposes; disinfectants; solutions for contact lenses; contact lens cleaning preparations; media for bacteriological cultures; bouillons for bacteriological cultures; bacteriological culture mediums; nutritive substances for microorganisms; cultures of microorganisms for medical and veterinary use; food for babies; infant milk powder; air purifying preparations; disinfectants for chemical toilets; medicines for veterinary purposes; biological preparations for veterinary purposes; chemical preparations for veterinary purposes; dietary supplements for animals; pesticides; vermin destroying preparations; disinfectant wipes; wadding for medical purposes; dental abrasives; dental mastics.

(260) AM 2022 112750 A

(800) 1587580

(151) 2020 12 08

(891) 2020 12 08

(731) Fontaine Limited

c/o Tmf Group 8th Floor, 20 Farringdon
Street, London EC4A 4AB, United Kingdom

(540)

SILVER MOUNTAIN WATER

(591) Black, white

(511)

3 – Perfumes; fragrances; eau de parfum; toilet water; colognes; shaving preparations; shaving gels; shaving soaps; shaving foams; aftershave preparations; shaving balms; lotions for beards; toiletries; non-medicated toiletry preparations; soaps; soaps for personal use; cosmetic preparations for the bath and shower; non-medicated skin care preparations; nail care preparations; hair care preparations; essential oils; scented oils; deodorants for personal use; room fragrances.

4 – Candles; perfumed candles.

(260) AM 2022 112757 A

(800) 1587660

(151) 2020 12 22

(891) 2020 12 22

(731) Yandex LLC

Leo Tolstoy Str., 16, RU-119021 Moscow,
Russian Federation

(540)

АЛИСА
ALICE

(591) Black, white

(531) 28.05

(511)

9 – Computers, computer peripheral devices, computer terminals; computer hardware; microprocessors; computer memory devices; monitors [computer hardware]; electronic numeric displays; computer keyboards; cables, electric; modems; printers for use with computers; disk drives for computers; electrical adapters; adapter cards; connectors and electronic driver circuits; data storage devices; computer disk drives; miniature hard disk drive storage units; compact discs [audio-video], CD-ROMs, DVDs; blank digital data carriers; magnetic data media; chips, disks and magnetic tapes bearing or for recording computer programs and software; random access memory devices; read only memory devices; solid state storage devices; mouse pads; telephone apparatus; facsimile machines, answering machines; cameras [photography], camcorders; batteries, electric; accumulators, electric; mains chargers; chargers for electric accumulators; digital audio players; notebook computers, tablet computers, hand-held personal computers, electronic personal organisers, digital organizers; handheld digital electronic devices, namely portable audio speakers, portable computers, power banks, digital or analogue recording and storage media, bicycle computers, navigational instruments, digital books, 3D spectacles, and software related thereto; handheld and mobile digital electronic devices for the sending and receiving of telephone calls, faxes, electronic mail, and other digital data; electronic handheld units for the wireless receipt, storage and/or transmission of data and messages, and electronic devices that enable the user to keep track of or manage personal information; electronic communication equipment and instruments; telecommunications apparatus and instruments; telephone-based information retrieval software and hardware; mobile digital electronic devices, global positioning system (GPS) devices; mobile telephones, video telephones; parts and accessories for mobile telephones included in this class; voice recognition apparatus; digital voice recorders; wireless communication devices for voice, data or image transmission; headphones; audio speakers; sound recording and reproducing apparatus, amplifiers, electric phonographs, record play-

ers; high fidelity stereo apparatus, tape recorders and reproducing apparatus, microphones; digital audio and video recorders and players; audio cassette recorders and players, video cassette recorders and players, compact disc recorders and players, digital versatile disc recorders and players, digital audio tape recorders and players; radios; radio transmitters and receivers; audio, video, and digital mixers; apparatus for recording or reproduction of sound for automobiles; computer software, recorded; computer and electronic games software; computer software for creating, authoring, distributing, downloading, transmitting, receiving, playing, editing, extracting, encoding, decoding, displaying, storing and organizing text, graphics, images, audio, video, and multimedia content, and electronic publications; operating system software, data synchronization software, application development software; computer software for personal information management; database management software; database synchronization software; character recognition software; voice recognition software; speech to text conversion software; voice-enabled software applications; software for controlling and managing of telephone communications; electronic mail and messaging software; software for mobile telephones; computer software for accessing, browsing and searching online databases; computer software for the redirection of messages, Internet e-mail, and/or other data to one or more electronic handheld devices from a data store on or associated with a personal computer or a server; computer software for the synchronization of data between a remote station or device and a fixed or remote station or device; downloadable electronic publications; fonts, type designs and symbols recorded on magnetic media; user manuals in electronic format for use with, and sold as a unit with, all the aforementioned goods; computer equipment for use with all of the aforesaid goods; electronic apparatus with multimedia functions for use with all of the aforesaid goods; interactive touch screen terminals for use with all of the aforesaid goods; accessories, parts, fittings, and testing apparatus for all of the aforesaid goods; covers, bags and cases adapted or shaped to contain all of the aforesaid goods.

28 – Computer gaming devices (term considered too vague by the International Bureau – Rule 13 (2) (b) of the Regulations); hand-held game apparatus adapted for use with an external display screen or monitor.

35 – Computerized database and file management; data processing services; systemization of information, sites and other resources, available on global computer networks and other electronic and communications networks for others; data search in the global computer network and other electronic and communication networks for third parties; compilation of information retrieved from the global computer network and other electronic and communication networks according to user preferences; providing bu-

business, consumer, and commercial information over computer networks and global communication networks; compilations of directories for publishing on the Internet and other electronic, computer and communications networks; subscription services, namely, arranging subscriptions to publications in the nature of text, data, image, audio, video, and multimedia content for others, provided via the Internet and other electronic and communications networks; online retail services for downloadable and pre-recorded text, data, image, audio, video, and multimedia content for a fee or pre-paid subscription, via the Internet and other electronic and communications networks.

38 – Providing access to interactive computer databases in the field of social networking, communication and organization of meetings; telecommunications; communication and telecommunication services; communication by computer, computer intercommunication; telex services, telegram transmission services; telephone services; facsimile transmission, collection of electronic messages; transmission of data and of information by electronic means, computer, cable, radio, teleprinter, teletype, electronic mail, telecopier, television, microwave, laser beam, communications satellite or electronic communication means; providing of wireless telecommunications through electronic telecommunications networks; electronic transmission of data and documentation via the Internet or other electronic telecommunications networks; electronic mailing services; delivery of messages by electronic transmission; wireless digital messaging services, telephone paging services, and electronic mailing services, including communication services that enable a user to send and/or receive messages through a wireless data network; rental and hire of communication apparatus and electronic mail-boxes; providing online bulletin boards for the transmission of messages among computer users; telecommunication access services; providing telecommunication access to websites; providing telecommunications access and links to computer databases and directories via the Internet and other electronic communications networks; providing access to online searchable databases of text, data, image, audio, video, and multimedia content; providing telecommunication access to electronic communications networks with means of identifying, locating, grouping, distributing, and managing data and links to third-party computer servers, computer processors and computer users; communication services for matching users for the transfer of music, video and audio recordings via communication networks; providing telecommunications access to electronic communication networks, for transmission or reception of audio, video or multimedia content; transmission of digital audio, video and multimedia content by telecommunications; electronic transmission of audio and video files via computer and other electronic communications networks; audio broadcasting; video broadcasting; broadcasting or transmission of

radio and television programs; broadcasting or transmission of video content via a global computer network; streaming of audio and video material on the Internet; webcasting services; information, advisory and consultancy services relating to all the aforesaid.

39 – Physical storage of electronically stored information and data; physical storage of electronic media containing data, text, images, audio, and video; information and consultation services in connection with physical storage of electronically stored information and data.

42 – Computer programming; design and development of computer hardware and software; design, development and maintenance of proprietary computer software in the field of natural language, speech, speaker, language, voice recognition, and voice-print recognition; rental of computer hardware and software; consultancy in the design and development of computer hardware; computer software consultancy; support and consultation services for developing computer systems, databases and applications; providing on-line information about computer hardware design and software; creation, design and maintenance of web sites; application service provider (ASP), namely, hosting software applications of others; application service provider (ASP) services, namely, hosting software for creating, authoring, distributing, downloading, transmitting, receiving, playing, editing, extracting, encoding, decoding, displaying, storing and organizing text, graphics, images, audio, video, and multimedia content, and electronic publications; application service provider (ASP) services featuring software for use in connection with voice recognition software and voice-enabled software applications; providing online non-downloadable software; providing search engines for obtaining data on a global computer network and via other electronic communications networks; creating indexes of online information, sites and other resources available on global computer networks for others; hosting an on-line web site for social networking; information, advisory and consultancy services relating to all the aforesaid.

45 – Online social networking services.

(260) AM 2022 112765 A

(800) 1587799

(151) 2021 03 09

(891) 2021 03 09

(731) DIETMED – PRODUTOS DIETÉTICOS E
MEDICINAIS, SA
EDIFÍCIO VERDE, QUEIMADAS-
SERNADA, P-3505-330 VISEU,
Portugal

(540)

NATURMIL

(591) Black, white

(511)
5 – Dietetic substances adapted for medical use.

(260) AM 2022 112766 A
(800) 1587802
(151) 2021 02 03
(891) 2021 02 03
(731) Siemens Healthcare GmbH
Henkestraße 127, 91052 Erlangen, Germany

(540)
MAGNETOM Free.Max

(591) Black, white
(511)
10 – Medical instruments and apparatus and parts therefor, in particular magnetic resonance imaging devices.

(260) AM 2022 112767 A
(800) 1587821
(151) 2021 02 03
(891) 2021 02 03
(731) Siemens Healthcare GmbH
Henkestraße 127, 91052 Erlangen, Germany

(540)
MAGNETOM Free.Star

(591) Black, white
(511)
10 – Medical instruments and apparatus and parts therefor, in particular magnetic resonance imaging devices.

(260) AM 2022 112768 A
(800) 1587852
(151) 2020 12 30
(891) 2020 12 30
(731) GEN İLAÇ VE SAĞLIK ÜRÜNLERİ
SANAYİ VE TİCARET ANONİM ŞİRKETİ
Mustafa Kemal Mahallesi 2119., Sokak No: 3
D: 2-3, TR-06520 Çankaya
Ankara, Turkey

(540)


(591) Blue and red
(531) 19.13.21; 26.01.02; 26.01.06; 27.05.01;
27.05.17; 29.01.12
(511)
5 – Pharmaceuticals, medical and veterinary preparations; sanitary preparations for medical purposes; dietetic food and substances adapted for medical or veterinary use, food for babies; dietary supplements for

human beings and animals; plasters, materials for dressings; material for stopping teeth, dental wax; disinfectants; preparations for destroying vermin; fungicides, herbicides.

(260) AM 2022 112769 A
(800) 1587859
(151) 2020 11 17
(891) 2020 11 17
(731) Robert Bosch Power Tools GmbH
70771 Leinfelden-Echterdingen, Germany

(540)


(591) Blue and white
(531) 24.01.03; 24.01.20; 26.04.04; 26.04.16;
26.04.18; 26.04.24; 26.11.07; 26.11.09;
27.05.10; 29.01.12

(511)
7 – Electric power tools; drills; impact drills; bench drills; drill chucks; hammer drills; power chisel hammers; screwdrivers; grooving machines; grinding machines; cut-off machines and roughing machines, such as orbital and angle grinders, triangular grinders, orbital sanders, belt grinders, sanders, angle polishers, straight grinders; shears [electric]; nibblers; electric glue guns; staplers, saws [electric]; circular saws; jigsaws; cross-cut saws; mitre saws; sabre saws; band saws; planing machines; milling machines; table belt sander; suction and dust extraction apparatus for the aforesaid goods; vacuum cleaners; the aforesaid goods also as battery-powered hand tools; parts, tools, adapters [non-electric], fittings and accessories for the aforesaid goods, included in this class.

8 – Hand-operated tools and implements; parts, tools and accessories for the aforesaid goods, included in this class.

(260) AM 2022 112770 A
(800) 1587863
(151) 2021 02 05
(891) 2021 02 05
(731) Fengh Medical Co., Ltd.
No.6 Dongsheng West Road, Jiangyin City,
Jiangsu Province, China

(540)
FULBRIGHT

(591) Black, white
(511)
10 – Medical apparatus and instruments; surgical apparatus and instruments; trocars; surgical robots; surgical cutlery; sterilized medical instruments; hemostatic suture instruments; ultrasonic medical diagnostic apparatus; suture materials; thread, surgical.

35 – Retail services for pharmaceutical, veterinary and sanitary preparations and medical supplies; wholesale services for pharmaceutical, veterinary and sanitary preparations and medical supplies; retail or wholesale services for medical supplies; publicity; advertising; marketing services; sales promotion for others; presentation of goods on communication media, for retail purposes.

(260) AM 2022 112771 A

(800) 1587884

(151) 2020 11 20

(891) 2020 11 20

(731) GONGNIU GROUP CO., LTD.

East Industrial Zone, Guanhaiwei Town,
Cixi City, Zhejiang Province, China

(540)



(591) Black, white

(531) 03.04.01; 03.04.13; 03.04.14; 27.05.01

(511)

9 – Computer programs [downloadable software]; computer software applications, downloadable; telepresence robots; humanoid robots with artificial intelligence; electronic agendas; face recognition devices; phototelegraphy apparatus; modems; wearable activity trackers; wireless routers; earphones; wearable video display monitors; devices for recording sound and image carriers; projectors [teaching apparatus]; materials for electricity mains [wires, cables]; telephone wires; electric adapter cables; USB cables; switches, electric; time switches; electric breakers [switches]; voltage surge protectors; electrical adapters; portable sockets; conductors, electric; light-emitting diodes [LED]; electrical resistance materials; electronic chips; video screens; remote control apparatus; electronic key fobs being remote control apparatus; electrolyzers; locks, electric; theft prevention installations, electric; alarms; electronic access control systems for interlocking doors; rechargeable batteries; portable power source [rechargeable batteries]; battery chargers; USB chargers; wireless chargers; electric sockets; electric plugs; connectors [electricity].

11 – Lamps; luminous tubes for lighting; lighting apparatus and installations; light-emitting diodes [LED] lighting apparatus; fluorescent lamp tubes; lights for vehicles; oil lamps; cooking utensils, electric; coffee machines, electric; kettles, electric; toasters; refrigerating cabinets; refrigerators; air purifying apparatus and machines; electric fans for personal use; hair driers; boilers pipes [tubes] for heating installations; water-pipes for sanitary installations; taps; pipes [parts of sanitary installations]; ornamental fountains; bath installations; heaters for baths; bathroom heaters; water

purification installations; disinfectant apparatus; gas lighters; polymerisation installations; radiators, electric.

17 – Rubber, raw or semi-worked; padding materials of rubber or plastics; rings of rubber; pipe gaskets; threads of plastic for soldering; junctions, not of metal, for pipes; fittings, not of metal, for flexible pipes; plastic in the form of strip for use in manufacturing; watering hose; hoses of textile material; flexible tubes, not of metal; insulating refractory materials; insulating materials; insulators; dielectrics [insulators]; insulating bands; insulating tapes; electrical insulating materials; waterproof packings.

35 – Advertising; pay per click advertising; rental of advertising space; online advertising on a computer network; providing business information via a web site; provision of an online marketplace for buyers and sellers of goods and services; sales promotion for others; marketing; personnel recruitment; web indexing for commercial or advertising purposes; systemization of information into computer databases; office machines and equipment rental; accounting; sponsorship search; wholesale services for pharmaceutical, veterinary and sanitary preparations and medical supplies.

(260) AM 2022 112782 A

(800) 1539481

(151) 2020 04 01

(891) 2021 04 07

(731) Nordic Entertainment Group Sweden AB

Box 17104, SE-104 62 Stockholm, Sweden

(540)

VIAPLAY

(591) Black, white

(511)

9 – Media content; downloadable motion pictures; downloadable television shows; downloadable series; downloadable digital music; podcasts; animated cartoons; cinematographic films; multi-media recordings; audio and visual recordings; application software for televisions; computer software for entertainment; video recordings; computer software; software for streaming audiovisual and multimedia content via the internet and global communications networks; software for streaming audiovisual and multimedia content to mobile digital electronic devices; software for searching, organizing, and recommending multimedia content; downloadable computer software applications; downloadable mobile applications; video game software; computer game software; DVDs; virtual reality game hardware and software; computer software for wireless content delivery; computer software for purchasing, accessing, streaming and viewing movies, TV shows, videos, and multimedia content; mobile applications for accessing and streaming audiovisual and multimedia content via the internet and global

communications networks; audio and visual recordings featuring music, stories, dramatic performances, non-dramatic performances, live-action entertainment, animated entertainment, learning activities for children, and games; encoded electronic chip cards; magnetically encoded gift cards; television set-top boxes; digital media players; digital media streaming devices.

(260) AM 2022 112785 A
(800) 1587955
(151) 2020 11 26
(891) 2020 11 26
(731) Egis Gyógyszergyár Zrt.
Keresztúri út 30-38., H-1106 Budapest,
Hungary
(540)

HALIOSENSE

(591) Black, white
(511)
3 – Cosmetics and cosmetic preparations.
5 – Human pharmaceutical preparations; dietetic substances adapted for medical use; dietary supplements; medicinal ointments; medicated skin creams; plasters, materials for dressings.

(260) AM 2022 112792 A
(800) 1588092
(151) 2020 12 30
(891) 2020 12 30
(731) GEN İLAÇ VE SAĞLIK ÜRÜNLERİ
SANAYİ VE TİCARET ANONİM ŞİRKETİ
Mustafa Kemal Mahallesi 2119., Sokak No: 3
D: 2-3, TR-06520 Çankaya Ankara, Turkey
(540)



(591) Duck Egg Blue- medium dark tone (Pantone 647 C), Prussian blue (Pantone 302 C) and Persian green (Pantone 7473 C)
(531) 26.11.08; 26.11.11; 26.11.12; 27.05.11; 29.01.12
(511)
5 – Pharmaceuticals, medical and veterinary preparations; sanitary preparations for medical purposes; dietetic food and substances adapted for medical or veterinary use, food for babies; dietary supplements for human beings and animals; plasters, materials for dressings; material for stopping teeth, dental wax; disinfectants; preparations for destroying vermin; fungicides, herbicides.

(260) AM 2022 112793 A
(800) 1588122
(151) 2020 11 26
(891) 2020 11 26
(731) Egis Gyógyszergyár Zrt.
Keresztúri út 30-38., H-1106 Budapest,
Hungary
(540)

MEPRESOLUTE

(591) Black, white
(511)
3 – Cosmetics and cosmetic preparations.
5 – Human pharmaceutical preparations, dietetic substances adapted for medical use; dietary supplements; medicinal ointments; medicated skin creams; plasters, materials for dressings.

(260) AM 2022 112794 A
(800) 1588133
(151) 2020 12 04
(891) 2020 12 04
(731) PENOPLEX SPb LTD
Saperniy lane 1, lit. A, RU-191014
St. Petersburg, Russian Federation
(540)

FASTFIX

(591) Black, white
(511)
17 – Asbestos; insulating paper; asbestos felt; plastic fibers, other than for textile use; asbestos fibers; vulcanized fiber; gutta-percha; lute; asbestos millboards; synthetic rubber; insulating paints; insulating varnish; insulating tapes; adhesive bands, other than stationery and not for medical or household purposes; asbestos sheets; viscose sheets, other than for wrapping; sheets of regenerated cellulose, other than for wrapping; reinforcing materials, not of metal, for pipes; soundproofing materials; insulating materials; non-conducting materials for retaining heat; plastic substances, semi-processed; insulating plaster; plastic film, other than for wrapping; asbestos coverings; synthetic resins, semi-processed; substances for insulating buildings against moisture; chemical compositions for repairing leaks; glass wool for insulation; fiberglass for insulation; insulating fabrics; waterproof packings; foils of metal for insulating; asbestos slate; slag wool [insulator]; ebonite.

19 – Asphalt; bitumen; binding agents for making briquettes; binding material for road repair; paperboard for building; roofing, not of metal; reinforcing materials, not of metal, for building; bituminous products for building; tar; road coating materials; materials for making and coating roads; building materials, not of metal; pitch; coatings [building materials]; laths, not of metal; wainscoting, not of metal; wall tiles, not of metal; floor tiles, not of metal; tiles, not of metal, for

building; paving slabs, not of metal; paving blocks, not of metal; bituminous coatings for roofing; roof coverings, not of metal; linings, not of metal, for building; mortar for building; insulating glass for building; roofing tiles, not of metal; slate; slag [building material]; flashing, not of metal, for building.

(260) AM 2022 112795 A
(800) 1588146
(151) 2020 10 15
(891) 2020 10 15
(731) ROYAL ARMENIA JV LTD
Davtashen 2nd Block 268, 0054 Yerevan,
Armenia

(540)



(591) Brown, light brown, flesh, white, red and black
(531) 02.07.23; 05.07.27; 06.01.02; 07.05.05;
22.05.10; 25.01.15; 25.07.01; 27.05.10;
29.01.14
(526) "ARMENIA", "®", "GROUND COFFEE",
"ARABICA & ROBUSTA".

(511)
30 – Ground coffee.

(260) AM 2022 112796 A
(800) 1588195
(151) 2020 12 31
(891) 2020 12 31
(731) ESSEL SELÜLOZ VE KAĞIT SAN TİC AŞ
Körfer Mah. Sanayi Cad. Berk Sok., Dolphin
Avm Kat:5 No: 516-518-524-526, Izmit,
Kocaeli, Turkey

(540)



(591) Black, white
(531) 05.01.01; 05.01.16; 26.04.04; 26.04.15;
26.04.18; 27.05.24; 29.01.13

(511)
16 – Paper and cardboard; paper and cardboard for packaging and wrapping purposes, cardboard boxes; paper towels; toilet paper; paper napkins.

(260) AM 2022 112797 A
(800) 1588209
(151) 2020 06 10
(891) 2020 06 10
(731) Yiwu Lihu Auto Accessory Co., Ltd.
Building 1, No. 496, Chengdian South Road,
Choujiang Street, Yiwu City, Jinhua City,
Zhejiang Province, China

(540)



(591) Black, white
(531) 26.11.01; 26.11.05; 26.11.08; 27.05.10;
27.05.11

(526) AUTO ACCESSORY
(511)

12 – Luggage racks for vehicles; vehicle interior decoration; rearview mirrors; seat covers for bicycle or motorcycle; overhead transport installations; goods handling hand trucks; sleds (car); car tyres; dirigible balloons; yachts.

24 – Furniture coverings of textile; coarse woolen blanket; covers for cushions; covers [loose] for furniture; tablecloths, not of paper.

27 – Floor mats; mats; tapestry-style wall hangings, not of textile; carpets for automobiles; non-slip mats; artificial turf.

(260) AM 2022 112799 A
(800) 1588251
(151) 2020 11 16
(891) 2020 11 16
(731) Hengdian Group DMEGC Magnetics Co., Ltd.
Hengdian Industrial Area, Dongyang City,
322100 Zhejiang Province, China

(540)



(591) Black, white
(531) 01.15.09; 01.15.25; 26.03.01; 26.03.11;
26.11.03

(511)

7 – Generators of electricity; wind power generate electricity facilities; engine for manufacturing of batteries; motors, electric, other than for land vehicles; driving motors, other than for land vehicles; motors, other than for land vehicles; centrifugal machines; alternators; starters for motors and engines; stators [parts of machines].

9 – Monosilicon wafer; polysilicon wafer; silicon epitaxial wafer; solar cells; solar panels; batteries; lithium ion batteries; lithium batteries; circulators in the nature of electronic components; integrated circuits; magnetic materials and devices; transmitters of electronic signals; filters for radio interference suppression; ceramic filters for electronic circuits; electronic inductors; transformers; wireless chargers; battery charge devices; capacitors.

12 – Engines for land vehicles; driving motors for land vehicles; motors, electric, for land vehicles; free-wheels for land vehicles; turbines for land vehicles; motorcycle engines; high voltage damper (for vehicles); bicycle motors.

(260) AM 2022 112800 A

(800) 1588262

(151) 2021 03 02

(891) 2021 03 02

(731) RAINBOW S.P.A.

Via Brece Snc, I-60025 LORETO (AN), Italy

(540)

Судьба: сага Винкс

(591) Black, white

(531) 28.05

(511)

16 – Printed matter; stationery; stationery cases; diaries and agendas; pocket diaries; note pads; drawing pads; writing tablets; albums; notebook; printed tickets; gift cards; envelopes [stationery]; wrapping paper; folders for papers; folders of paper; ring binders; calendars; drawing paper; writing paper; adhesives [glues] for stationery or household purposes; stickers [decalcomanias]; collector trading cards; trivia cards; towels of paper; handkerchiefs of paper; party decorations of paper; party ornaments of paper; drawing pads for party invitations; banners of paper; flags of paper; gift bags; babies' bibs of paper; table napkins of paper; tablecloths of paper; place mats of paper; paper bags and sacks; paper gift bags; stamps [seals]; inking pads; stamp mounts; stamp cases; artists' materials; paintbrushes; drawing instruments; pens [office requisites]; pencils; decorations for pencils; rubber erasers; crayons; felt-tip pens; children's paint-boxes; aquarelles; chalks for colouring; bookmarkers; paperweights; photographs [printed]; photograph stands; printed publications; educational publications; newspapers; periodicals; strategy guide magazines for card

games; computer game instruction manuals; pamphlets; recipe books; books; children's books; sticker activity books; children's books incorporating an audio component; typewriters, electric or non-electric; office requisites, except furniture; instructional and teaching material (except apparatus); plastic materials for packaging; printing fonts; bookbinding material; printing blocks; modelling paste; paper decorations for cakes; decalcomanias; glitter glue for stationery purposes.

(260) AM 2022 112807 A

(800) 1588418

(151) 2021 02 05

(891) 2021 02 05

(731) Sichuan Sanlian New Material Co., Ltd.

No.280, Yizhou Avenue North Section,

Hi-tech Zone, Chengdu, Sichuan, China

(540)

功夫

(591) Black, white

(531) 28.03

(511)

34 – Tobacco; cigarettes; cigarette cases; oral vaporizers for smokers; electronic hookahs; devices for heating tobacco for the purpose of inhalation; lighters for smokers; cigarette filters; flavorings, other than essential oils, for tobacco; electronic cigarettes.

(260) AM 2022 112817 A

(800) 1588785

(151) 2021 03 12

(891) 2021 03 12

(731) PRO-AQUA International GmbH

Technologiepark 6, 91522 Ansbach,

Germany

(540)

NTS

(591) Black, white

(511)

7 – Industrial robots; sweeping, cleaning, washing and laundering machines.

(260) AM 2022 112818 A

(800) 1588837

(151) 2021 03 14

(891) 2021 03 14

(731) Apple Inc.

One Apple Park Way, Cupertino CA 95014,

USA

(540)



(591) Black, white

(531) 05.07.13; 05.07.23; 24.17.05

(526) Fitness+

(511)

9 – Downloadable digital media, namely, podcasts, images, audio and video recordings in the field of health, wellness, lifestyle, exercise, physical training, fitness instruction, guided workouts, and personal development; downloadable computer software application for accessing, browsing and searching online databases for audio, video, and multimedia content; computer software for use in generating customized recommendations of audio, video, data, text and other multimedia content, including podcasts, images, audio and video recordings, and cultural events determined from an analysis of user preferences; computer software for use in connection with an online fitness subscription service; database synchronization software; database management software; computer software for use in playing, organizing, downloading, transmitting, manipulating, and reviewing audio files, video files, and media files; computer software for use in the delivery, distribution and transmission of digital music and education-related audio, video, text and multimedia content; computer software for creating searchable databases of information and data for peer-to-peer social networking databases; computer software for accessing, browsing and searching online databases; computer software for setting up, configuring, operating and controlling mobile devices, wearable devices, mobile phones, computers, and computer peripherals, and audio and video players; computer software to enable users to program and distribute audio, video, data, text and other multimedia content, including music, videos, radio, cultural events, and entertainment-related and educational programs via communication networks.

(260) AM 2022 112819 A

(800) 1588840

(151) 2021 02 26

(891) 2021 02 26

(731) Kabluka Mykola Volodymyrovych

81, Baikalskaya str. 11, Dnipro 49000, Ukraine

(540)



(591) Yellow and black.

(531) 27.05.01; 29.01.12

(511)

9 – Lighting ballasts; current rectifiers; branch boxes [electricity]; video screens; video projectors; mirrors [optics]; electricity conduits; cables, electric; compu-

ter hardware; computer software, recorded; computer game software, downloadable; computer game software, recorded; computer programs, downloadable; computer programs, recorded; computer operating programs, recorded; computer software applications, downloadable; computer software platforms, recorded or downloadable; condensers [capacitors]; junction boxes [electricity]; coils, electric; inductors [electricity]; lasers, not for medical purposes; optical lanterns; materials for electricity mains [wires, cables]; sheaths for electric cables; conductors, electric; wires, electric; ducts [electricity]; projection apparatus; projection screens; control panels [electricity]; light dimmers [regulators], electric; relays, electric; electric sockets; distribution boxes [electricity]; distribution consoles [electricity]; distribution boards [electricity]; light-emitting diodes [LED]; quantum dot light-emitting diodes [QLED]; organic light-emitting diodes [OLED]; anti-glare glasses; optical glass; transformers [electricity]; downloadable image files; downloadable music files.

11 – Lighting apparatus and installations; discharge tubes, electric, for lighting; fairy lights for festive decoration; lamps; electric lamps; lamp chimneys; lights, electric, for Christmas trees; street lamps, lanterns for lighting; candle lanterns; luminous tubes for lighting; chandeliers; light emitting diodes [LED] lighting apparatus; diving lights; lamp globes; searchlights; lamp reflectors; standard lamps, floor lamps; light bulbs; light bulbs, electric; light projectors; light diffusers; lamp glasses; ceiling lights; ultraviolet ray lamps, not for medical purposes.

21 – Vases; fruit bowls; epergnes; boxes of glass; crystal [glassware]; decorative glass spheres; mugs; opal glass; mosaics of glass, not for building; opaline glass; glass jars [carboys]; candelabra [candlesticks]; candle jars [holders]; enamelled glass, not for building; glass incorporating fine electrical conductors; glass, unworked or semi-worked, except building glass; painted glassware; powdered glass for decoration; glass flasks [containers]; glasses [receptacles]; drinking glasses; statues of porcelain, ceramic, earthenware, terra-cotta or glass; figurines of porcelain, ceramic, earthenware, terra-cotta or glass.

37 – Installation, maintenance and repair of computer hardware; providing information relating to repairs; services of electricians; installation of utilities in construction sites; laying of cable; repair of power lines; film projector repair and maintenance; interference suppression in electrical apparatus.

41 – Arranging and conducting of conferences; arranging and conducting of concerts; arranging and conducting of in-person educational forums; arranging and conducting of workshops [training]; arranging and conducting of seminars; lighting technician services for events, rental of show scenery; production of shows.

42 – Architectural consultancy; architectural services; construction drafting; graphic arts design; interior design; engineering; information technology services provided on an outsourcing basis; computer programming; computer technology consultancy; information technology [IT] consultancy; website design consultancy; monitoring of computer systems to detect breakdowns; monitoring of computer systems by remote access; maintenance of computer software; updating of computer software; software as a service [SaaS]; design of interior decor; computer system design; technical writing; creating and maintaining websites for others.

44 – Landscape design.

(260) AM 2022 112820 A

(800) 1588843

(151) 2020 11 19

(891) 2020 11 19

(731) Zakrytoe aktsionernoe obshchestvo "Myasnaya galereya"

ul. Poliny Osipenko, 65, of. 10, RU-600009

g. Vladimir, Russian Federation

(540)



(591) Black, white

(531) 01.15.11; 28.05

(526) Element ®

(511)

29 – Albumen for culinary purposes; seaweed extracts for food; gelatine; edible fats; anchovy, not live; peanut butter; butter; cocoa butter for food; coconut butter; buttercream; white of eggs; black pudding; broth; preparations for making bouillon; caviar; fruit, preserved; charcuterie; potato chips; sauerkraut; coconut, desiccated; rape oil for food; broth concentrates; jams; frozen fruits; soups; raisins; gherkins; vegetables, preserved; vegetables, cooked; vegetables, dried; edible oils; cream [dairy products]; cheese; frosted fruits; croquettes; crustaceans, not live; dates; milk; crayfish, not live; fish fillets; rennet; fruit, stewed; fruit jellies; fruit pulp; meat; fish, not live; jellies for food; meat jellies; game, not live; ginger jam; soya beans, preserved, for food; fatty substances for the manufacture of edible fats; fat-containing mixtures for bread slices; herrings, not live; lobsters, not live; corn oil; palm kernel oil for food; sesame oil; oysters, not live; isinglass for food; ham; yolk of eggs; yogurt; vegetable soup preparations; vegetable juices for cooking; meat extracts; kefir [milk beverage]; kumys [milk bevera-

ge]; milk beverages, milk predominating; whey; milk products; spiny lobsters, not live; bacon; lentils, preserved; margarine; marmalade; animal marrow for food; mussels, not live; mollusks, not live; palm oil for food; nuts, prepared; eggs; powdered eggs; liver pâté; onions, preserved; olives, preserved; olive oil for food; bone oil for food; pectin for culinary purposes; pickles; peas, preserved; sausages; sardelki [sausages]; salted meats; preparations for making soup; tomato purée; vegetable salads; lard; fruit salads; sardines, not live; salmon, not live; suet for food; tuna, not live; tomato juice for cooking; sunflower oil for food; tripe; truffles, preserved; poultry, not live; pieces of chicken in batter; fruit peel; alginates for culinary purposes; almonds, ground; peanuts, processed; mushrooms, preserved; coconut fat; coconut oil for food; beans, preserved; liver; fish-based foodstuffs; fruit chips; clams, not live; fruit preserved in alcohol; pollen prepared as foodstuff; prawns, not live; fish, preserved; meat, preserved; shrimps, not live; snail eggs for consumption; tofu; whipped cream; pork; edible birds' nests; fish, canned; fish meal for human consumption; fruits, canned; meat, canned; potato fritters; salted fish; sea-cucumbers, not live; silkworm chrysalis for human consumption; vegetables, canned; sausages in batter; potato flakes; apple purée; cranberry compote; tahini [sesame seed paste]; hummus [chickpea paste]; toasted laver; fruit-based snack food; curd; kimchi [fermented vegetable dish]; soya milk; milk shakes; ajvar [preserved peppers]; processed sunflower seeds; fish mousses; non-alcoholic eggnog; vegetable mousses; fish roe, prepared; seeds, prepared; aloe vera prepared for human consumption; preserved garlic; protein milk; linseed oil for food; low-fat potato chips; lecithin for culinary purposes; milk ferments for culinary purposes; compotes; condensed milk; smetana [sour cream]; ryazhenka [fermented baked milk]; prostokvasha [soured milk]; tomato paste; vegetable marrow paste; eggplant paste; peanut milk for culinary purposes; almond milk for culinary purposes; rice milk; artichokes, preserved; arrangements of processed fruit; powdered milk; yakitori; bulgogi; candied nuts; flavored nuts; hazelnuts, prepared; berries, preserved; guacamole [mashed avocado]; onion rings; falafel; lemon juice for culinary purposes; freeze-dried meat; oat milk; vegetable-based cream; freeze-dried vegetables; extra virgin olive oil for food; galbi [grilled meat dish]; escamoles [edible ant larvae, prepared]; edible insects, not live; sweet corn, processed; nut-based spreads; potato-based dumplings; hot dog sausages; corn dogs; soya bean oil for food; milk substitutes; almond milk; peanut milk; coconut milk; coconut milk for culinary purposes; coconut milk-based beverages; rice milk for culinary purposes; almond milk-based beverages; peanut milk-based beverages; sausage casings, natural or artificial; shpikachki [sausages]; chicken nuggets; klipfish [salted and dried cod]; cottage cheese fritters; pressed fruit paste; yuba [tofu skin]; soya patties; tofu patties.

30 – Seaweed [condiment]; pasta; almond paste; aniseed; star aniseed; confectionery for decorating Christmas trees; infusions, not medicinal; coffee flavorings; aromatic preparations for food; seasonings; unleavened bread; salt for preserving foodstuffs; rusks; cookies; malt biscuits; peppermint sweets; sweets; waffles; buns; cocoa; coffee; unroasted coffee; vegetal preparations for use as coffee substitutes; cakes; cinnamon [spice]; capers; caramels [sweets]; curry [spice]; cereal preparations; chewing gum; chicory [coffee substitute]; tea; chocolate; marzipan; cloves [spice]; condiments; confectionery; corn flakes; popcorn; preparations for stiffening whipped cream; ice cream; pancakes; essences for foodstuffs, except etheric essences and essential oils; cooking salt; thickening agents for cooking foodstuffs; turmeric; natural sweeteners; spices; gingerbread; allspice; flour; bean meal; corn meal; mustard meal; barley meal; soya flour; wheat flour; starch for food; ferments for pastes; fondants [confectionery]; petits fours [cakes]; sugar; flavorings, other than essential oils, for cakes; cake powder; cake dough; ginger [spice]; binding agents for ice cream; ice, natural or artificial; ice for refreshment; glucose for culinary purposes; gluten prepared as foodstuff; groats for human food; vinegar; ketchup [sauce]; cocoa beverages with milk; coffee beverages with milk; chocolate beverages with milk; leaven; yeast; sausage binding materials; macarons; macaroni; corn, milled; corn, roasted; bread; maltose; molasses for food; golden syrup; mint for confectionery; honey; husked barley; mustard; nutmegs; noodles; pies; crushed barley; sandwiches; pastilles [confectionery]; pastries; petit-beurre biscuits; bread rolls; peppers [seasonings]; pizzas; pepper; potato flour; puddings; pralines; ravioli; liquorice [confectionery]; rice; saffron [seasoning]; sago; sauces [condiments]; celery salt; semolina; sherbets [ices]; spaghetti; tapioca; tapioca flour; tarts; vanilla flavorings for culinary purposes; vanillin [vanilla substitute]; vermicelli; meat pies; pâtés en croûte; meat tenderizers for household purposes; edible ices; powders for making ice cream; almond confectionery; peanut confectionery; food flavorings, other than essential oils; flavorings, other than essential oils, for beverages; crushed oats; husked oats; oat-based food; oat flakes; oatmeal; stick liquorice [confectionery]; beer vinegar; coffee-based beverages; cocoa-based beverages; chocolate-based beverages; artificial coffee; lollipops [confectionery]; chips [cereal products]; chow-chow [condiment]; couscous; malt extract for food; malt for human consumption; bee glue; relish [condiment]; royal jelly; sea water for cooking; sushi; tomato sauce; mayonnaise; crackers; custard; fruit jellies [confectionery]; muesli; rice cakes; soya sauce; frozen yogurt [confectionery ices]; chutneys [condiments]; spring rolls; tacos; tortillas; iced tea; tea-based beverages; dressings for salad; breadcrumbs; tabbouleh; halvah; quiches; meat gravies; miso [seasoning]; cereal-based snack food; rice-based snack food; hominy; hominy grits;

baking powder; baking soda [bicarbonate of soda for cooking purposes]; garden herbs, preserved [seasonings]; noodle-based prepared meals; cake frosting [icing]; chocolate mousses; dessert mousses [confectionery]; fruit coulis [sauces]; marinades; cheeseburgers [sandwiches]; pesto [sauce]; ham glaze; linseed for culinary purposes [seasoning]; wheat germ for human consumption; high-protein cereal bars; cream of tartar for culinary purposes; gluten additives for culinary purposes; pasta sauce; cereal bars; vareniki [stuffed dumplings]; pelmeni [dumplings stuffed with meat] including khinkali, manti; chocolate decorations for cakes; candy decorations for cakes; chocolate-coated nuts; rice pudding; nut flours; minced garlic [condiment]; baozi; rice pulp for culinary purposes; jiaozi; ramen [Japanese noodle-based dish]; okonomiyaki [Japanese savory pancakes]; batter mixes for okonomiyaki [Japanese savory pancakes]; burritos; prepared rice rolled in seaweed; edible paper; edible rice paper; chocolate-based spreads; chocolate spreads containing nuts; flour-based dumplings; agave syrup [natural sweetener]; mirror icing [mirror glaze]; freeze-dried dishes with the main ingredient being rice; freeze-dried dishes with the main ingredient being pasta; chamomile-based beverages; dulce de leche; bibimbap [rice mixed with vegetables and beef]; onigiri [rice balls]; instant rice; hot dog sandwiches; ice cubes; processed seeds for use as a seasoning; sesame seeds [seasonings]; chebureki [deep-fried pie]; piccilli; quinoa, processed; bulgur; buckwheat, processed; buckwheat flour; cranberry sauce [condiment]; apple sauce [condiment]; croutons; potato-based flatbreads; zefir [confectionery]; pastila [confectionery]; senbei [rice crackers]; kimchiyeon [pancakes made with fermented vegetables]; shaved ice with sweetened red beans; mints for breath freshening; chewing gum for breath freshening; udon noodles; soba noodles.

(260) AM 2022 112821 A

(800) 1588845

(151) 2020 09 29

(891) 2020 09 29

(731) Miconvey Technologies Co., LTD.

No. 56, No. 117, Yunhan Avenue, Beibei District, Chongqing, China

(540)



(591) Blue, orange

(531) 26.11.09; 27.05.10; 27.05.15; 29.01.12

(511)

10 – Surgical apparatus and instruments; testing apparatus for medical purposes; dental apparatus, electric; physiotherapy apparatus; medical apparatus and instruments; ultrasound apparatus for medical use; instrument cases for use by doctors; X-ray apparatus for medical purposes; diagnostic apparatus for medical

purposes; isotopic analysis equipment and instruments for therapeutic or diagnostic use.

(260) AM 2022 112822 A

(800) 1588893

(151) 2021 02 23

(891) 2021 02 23

(731) PHOTOLAMUS OÜ

Peetri alevik, Helgi tee 2-204, EE-75312 Harju maakond, Rae vald, Estonia

(540)



(591) Black, white

(531) 24.13.01; 27.03.15; 27.05.24

(511)

5 – Pharmaceuticals for the treatment of erectile dysfunction; food supplements; nutritional supplements; mineral nutritional supplements; vitamin and mineral supplements; food supplements for sportsmen; dietary supplements for humans; dietary supplements consisting of vitamins; herbal supplements; food supplements for non-medical purposes; medicinal herbs; medicinal herbs in dried or preserved form; smoking herbs for medical purposes; plant and herb extracts for medicinal use; pharmaceuticals; medical preparations; preparations for facilitating sexual coupling; cannabis for medical purposes.

10 – Condoms.

34 – Matches; tobacco and tobacco products (including substitutes); personal vaporisers and electronic cigarettes, and flavourings and solutions therefor; herbs for smoking; tobacco substitutes not for medical purposes; cigarettes, cigars, cigarillos and other ready-for-use smoking articles.

(260) AM 2022 112823 A

(800) 1197147

(151) 2013 12 17

(891) 2021 04 12

(731) KLARO GmbH

Spitzwegstr. 63, 95447 Bayreuth, Germany

(540)



(591) Black, white

(531) 26.11.01; 26.11.06; 26.11.08; 27.05.11; 27.05.24

(511)

6 – Containers of metal for purification installations; accessories for the following installations, namely pipes of stainless steel; manifolds of stainless steel; parts for the aforesaid goods.

7 – Compactors for purification installations.

9 – Switch cabinets with electric/electronic controls; parts for the aforesaid goods.

11 – Sewage treatment installations; fan diaphragms; separators for light fluids and fats, for rainwater installations and pumps stations.

17 – Pressure-resistant tubes, not of metal.

19 – Containers of concrete and plastic for purification installations; settling basins; accessories for the aforesaid installations, namely pipes of plastic.

(260) AM 2022 112824 A

(800) 1225918

(151) 2014 07 10

(891) 2021 03 22

(731) FINANCIERA MADERERA, S.A.

Formaris, s/n, E-15707 Santiago de Compostela (A Coruña), Spain

(540)



(591) Black, white

(531) 24.13.05; 26.01.04; 26.01.21

(511)

19 – Non-metallic building materials; materials for non-metallic floors; wood materials and processed wood for construction; non-metallic laminated boards for walls; wall linings, not of metal, for building; parquet floor; floor coverings made of wood and derived timber products; floors made of sheets; rigid pipes, not of metal, for building; asphalt, pitch and bitumen; transportable buildings, not of metal; monuments, not of metal; building panels not of metal; non-metallic boards for floor coverings; non-metallic boards for construction, non-metallic boards for dividers and partitions; panels not of metal for doors, covering for boards (not of metal), chipboard, non-metallic laminated boards, plywood boards, veneered boards, boards of wood fiber bound with resin and particleboards, laminated fiberboards, wood boards, particleboards, laminated fiberboards, wood boards, particleboards, laminated boards (not of metal) for building, boards for floors (not of metal), laminated floors of wood and derived timber products, non-metallic floors, coverings, not of metal, for building, parquet boards, wood for building.

20 – Furniture, mirrors, picture frames; goods of wood, cork, cane, reed, wicker, horn, bone, ivory, whalebone, shell, amber, mother-of-pearl, meerscham and substitutes for all these materials, or of plastics, not included in other classes; wooden boards for furniture; boards of derived timber products for furniture; furniture of wood, furniture parts and components of wood and of derived timber products; doors for furniture, wooden panels for furniture and shelves for furniture of wood and derived timber products; boards for furniture of wood and derived timber products; boxes of wood, kits of furniture made of wood and derived timber products; benches made of wood and derived timber products (furniture); table tops, boards in the form of furniture and kit of parts for mounting boards of wood and derived timber products; cabinets of wood and derived timber products, furniture of wood and derived timber products for the kitchen.

(260) AM 2022 112825 A

(800) 1236115

(151) 2014 11 04

(891) 2021 03 23

(731) OLIP ITALIA S.P.A.

Via Confine, 13, I-37010 LAZISE – FRAZ.

COLA' (VR), Italy

(540)

**A.S.
98**

(591) Black, white

(531) 27.05.01; 27.07.01

(511)

18 – Bags; purses; handbags; pocket wallets; haversacks; valises; rucksacks; key cases.

25 – Clothing, footwear, headgear; footwear; belts [clothing]; sandals; gymnastic shoes; half-boots; boots; wooden shoes; sashes for wear.

(260) AM 2022 112841 A

(800) 1588980

(151) 2021 03 03

(891) 2021 03 03

(731) Limited Liability Company "NEARMEDIC PHARMA"

ul. Koroleva, 4, office 402, Obninsk,

RU-249030 Kaluzhskaya oblast, Russian Federation

(540)

ИНЛАРЕСТИН

(591) Black, white

(531) 28.05

(511)

5 – Pharmaceuticals; medical preparations; medicines for human purposes; analgesics; anti-inflammatory pharmaceutical preparations; pharmaceutical preparations and medicines for the treatment of respiratory system; pharmaceutical preparations and medicines for the treatment of sore throat; medical solutions for the treatment of sore throat; medical lozenges for the treatment of sore throat; medical drops for the treatment of sore throat; medical tablets for the treatment of sore throat; pharmaceuticals in the form of anti-inflammatory sprays; pharmaceuticals in the form of antibacterial sprays; medicines in the form of oral sprays; cooling sprays for medical purposes; chemical preparations for medical purposes; chemical preparations for pharmaceutical purposes; antiseptics; anti-fungal pharmaceutical preparations; antifungal medicines; antimicrobial pharmaceuticals; pharmaceutical preparations and substances with anaesthetic properties, including for topical application; mouthwashes for medical purposes; medicated toothpaste.

42 – Research and development of new products for others; scientific research, including in the field of medicine and pharmacology; clinical trials.

44 – Medical services; pharmacy advice; medical assistance; therapy services.

(260) AM 2022 112842 A

(800) 1588983

(151) 2021 02 09

(891) 2021 02 09

(731) Wu Junxian

No.3 Xinting, Houdi Village, Yunshan Street, Lanxi City, Zhejiang Province, China

(540)

ДБК

(591) Black, white

(531) 27.07; 27.07.01; 28.05

(511)

28 – Games; toys; playing cards; playing balls; body-training apparatus; machines for physical exercises; gloves for games; ornaments for Christmas trees, except illumination articles and confectionery; fishing tackle.

(260) AM 2022 112843 A

(800) 1588985

(151) 2021 02 04

(891) 2021 02 04

(731) Individual entrepreneur Tovstik Roman

Vladimirovich

prospekt Vernadskogo, d. 94, korp. 2, kv. 2,

RU-119571 Moscow, Russian Federation

(540)

FIRST EDITION

(591) Black, white

(511)

3 – Abrasives; amber [perfume]; descaling preparations for household purposes; antistatic preparations for household purposes; aromatics [essential oils]; air fragrancing preparations; cake flavorings [essential oils]; flavorings for beverages [essential oils]; food flavorings [essential oils]; breath freshening sprays; canned pressurized air for cleaning and dusting purposes; balms, other than for medical purposes; basma [cosmetic dye]; lip glosses; nail glitter; polishing stones; abrasive paper; emery paper; polishing paper; petroleum jelly for cosmetic purposes; shoe polish; cobblers' wax; cotton wool for cosmetic purposes; sachets for perfuming linen; drying agents for dish-washing machines; adhesives for cosmetic purposes; scented water; Javelle water; lavender water; toilet water; wax for parquet floors; floor wax; non-slipping wax for floors; depilatory wax; mustache wax; creams for leather; polish for furniture and flooring; shoemakers' wax; polishing wax; tailors' wax; massage gels, other than for medical purposes; heliotropine; dental bleaching gels; geraniol; make-up; deodorants for pets; deodorants for human beings or for animals; depilatory preparations; air fragrance reed diffusers; scented wood; perfumes; non-slipping liquids for floors; windshield cleaning liquids; greases for cosmetic purposes; volcanic ash for cleaning; perfumery; decorative transfers for cosmetic purposes; ionone [perfumery]; shaving stones [astringents]; smoothing stones; eyebrow pencils; cosmetic pencils; silicon carbide [abrasive]; carbides of metal [abrasives]; alum stones [astringents]; tripoli stone for polishing; adhesives for affixing false eyelashes; adhesives for affixing false hair; hair conditioners; quillaia bark for washing; corundum [abrasive]; beard dyes; colorants for toilet purposes; cosmetic dyes; laundry starch; laundry glaze; shoe cream; polishing creams; cosmetic creams; skin whitening creams; polishing rouge; incense; hair spray; nail polish; hair lotions; lotions for cosmetic purposes; after-shave lotions; beauty masks; oils for cleaning purposes; oils for perfumes and scents; oils for cosmetic purposes; oils for toilet purposes; essential oils; essential oils of cedarwood; essential oils of lemon; essential oils of citron; bergamot oil; gaultheria oil; jasmine oil; lavender oil; almond oil; rose oil; oil of turpentine for degreasing; whiting; cleaning chalk; almond milk for cosmetic purposes; cleansing milk for toilet purposes; musk [perfumery];

soap; deodorant soap; shaving soap; soap for brightening textile; cakes of toilet soap; antiperspirant soap; soap for foot perspiration; almond soap; mint for perfumery; cosmetic kits; emery; gel eye patches for cosmetic purposes; nail art stickers; false nails; eau de cologne; bases for flower perfumes; joss sticks; pastes for razor strops; non-medicated dentifrices; pumice stone; lipstick cases; hydrogen peroxide for cosmetic purposes; breath freshening strips; teeth whitening strips; abrasive cloth; glass cloth [abrasive cloth]; lipsticks; pomades for cosmetic purposes; breath freshening preparations for personal hygiene; shaving preparations; bath preparations, not for medical purposes; cosmetic preparations for baths; hair straightening preparations; hair waving preparations; laundry soaking preparations; grinding preparations; smoothing preparations [starching]; color-removing preparations; leather bleaching preparations; polishing preparations; denture polishes; mouthwashes, not for medical purposes; cosmetic preparations for slimming purposes; starch glaze for laundry purposes; preparations to make the leaves of plants shiny; eye-washes, not for medical purposes; fabric softeners for laundry use; laundry bleach; dry-cleaning preparations; paint stripping preparations; lacquer-removing preparations; make-up removing preparations; floor wax removers [scouring preparations]; varnish-removing preparations; rust removing preparations; nail care preparations; cleaning preparations; preparations for cleaning dentures; wall-paper cleaning preparations; preparations for unblocking drain pipes; chemical cleaning preparations for household purposes; collagen preparations for cosmetic purposes; bleaching preparations [decolorants] for household purposes; laundry preparations; aloe vera preparations for cosmetic purposes; sunscreen preparations; color-brightening chemicals for household purposes [laundry]; shining preparations [polish]; make-up powder; diamantine [abrasive]; stain removers; nail varnish removers; vaginal washes for personal sanitary or deodorant purposes; scouring solutions; false eyelashes; tissues impregnated with cosmetic lotions; tissues impregnated with make-up removing preparations; baby wipes impregnated with cleaning preparations; safrol; massage candles for cosmetic purposes; laundry blueing; turpentine for degreasing; potpourris [fragrances]; bleaching soda; washing soda, for cleaning; bath salts, not for medical purposes; bleaching salts; fumigation preparations [perfumes]; preservatives for leather [polishes]; ammonia [volatile alkali] [detergent]; astringents for cosmetic purposes; eyebrow cosmetics; make-up preparations; sun-tanning preparations [cosmetics]; hair dyes; neutralizers for permanent waving; cosmetic preparations for eyelashes; cosmetic preparations for skin care; shoe wax; cosmetics; cosmetics for children; cosmetics for animals; mascara; detergents, other than for use in manufacturing operations and for medical purposes; cleansers for intimate personal hygiene purposes, non medicated; douching preparations

for personal sanitary or deodorant purposes [toilettries]; degreasers, other than for use in manufacturing processes; bleaching preparations [decolorants] for cosmetic purposes; toiletry preparations; antiperspirants [toilettries]; phytocosmetic preparations; talcum powder, for toilet use; cotton swabs for cosmetic purposes; terpenes [essential oils]; emery cloth; cloths impregnated with a detergent for cleaning; henna [cosmetic dye]; shampoos; shampoos for animals [non-medicated grooming preparations]; shampoos for pets [non-medicated grooming preparations]; dry shampoos; sandpaper; soda lye; herbal extracts for cosmetic purposes; extracts of flowers [perfumes]; ethereal essences; badian essence; mint essence [essential oil].

(260) AM 2022 112844 A

(800) 1589011

(151) 2021 03 02

(891) 2021 03 02

(731) EVER Valinject GmbH

Oberburgau 3, A-4866 Unterach am Attersee,
Austria

(540)

CytoWrap

(591) Black, white

(511)

5 – Pharmaceutical preparations and substances for use in oncology.

10 – Medical instruments and apparatus; receptacles for applying medicines.

16 – Plastic materials for packaging, included in this class; plastic film for packaging.

(260) AM 2022 112845 A

(800) 1589030

(151) 2021 02 04

(891) 2021 02 04

(731) Individual entrepreneur Tovstik Roman

Vladimirovich

prospekt Vernadskogo, d. 94, korp. 2, kv. 2,

RU-119571 Moscow, Russian Federation

(540)

CRISPENTO

(591) Black, white

(511)

3 – Abrasives; amber [perfume]; descaling preparations for household purposes; antistatic preparations for household purposes; aromatics [essential oils]; air fragrancing preparations; cake flavorings [essential oils]; flavorings for beverages [essential oils]; food flavorings [essential oils]; breath freshening sprays; canned pressurized air for cleaning and dusting purposes; balms, other than for medical purposes; basma [cosmetic dye]; lip glosses; nail glitter; polishing sto-

nes; abrasive paper; emery paper; polishing paper; petroleum jelly for cosmetic purposes; shoe polish; cobblers' wax; cotton wool for cosmetic purposes; sachets for perfuming linen; drying agents for dishwashing machines; adhesives for cosmetic purposes; scented water; Javelle water; lavender water; toilet water; wax for parquet floors; floor wax; non-slipping wax for floors; depilatory wax; mustache wax; creams for leather; polish for furniture and flooring; shoemakers' wax; polishing wax; tailors' wax; massage gels, other than for medical purposes; heliotropine; dental bleaching gels; geraniol; make-up; deodorants for pets; deodorants and antiperspirants for personal use; deodorants for human beings or for animals; depilatory preparations; air fragrance reed diffusers; scented wood; perfumes; non-slipping liquids for floors; windshield cleaning liquids; greases for cosmetic purposes; volcanic ash for cleaning; perfumery; decorative transfers for cosmetic purposes; ionone [perfumery]; shaving stones [astringents]; smoothing stones; eyebrow pencils; cosmetic pencils; silicon carbide [abrasive]; carbides of metal [abrasives]; alum stones [astringents]; tripoli stone for polishing; adhesives for affixing false eyelashes; adhesives for affixing false hair; hair conditioners; quillaia bark for washing; corundum [abrasive]; beard dyes; colorants for toilet purposes; cosmetic dyes; laundry starch; laundry glaze; shoe cream; polishing creams; cosmetic creams; skin whitening creams; polishing rouge; incense; hair spray; nail polish; hair lotions; lotions for cosmetic purposes; after-shave lotions; beauty masks; oils for cleaning purposes; oils for perfumes and scents; oils for cosmetic purposes; oils for toilet purposes; essential oils; essential oils of cedarwood; essential oils of lemon; essential oils of citron; bergamot oil; gaultheria oil; jasmine oil; lavender oil; almond oil; rose oil; oil of turpentine for degreasing; whiting; cleaning chalk; almond milk for cosmetic purposes; cleansing milk for toilet purposes; musk [perfumery]; soap; deodorant soap; shaving soap; soap for brightening textile; cakes of toilet soap; antiperspirant soap; soap for foot perspiration; almond soap; mint for perfumery; cosmetic kits; emery; gel eye patches for cosmetic purposes; nail art stickers; false nails; eau de Cologne; bases for flower perfumes; joss sticks; pastes for razor strops; non-medicated dentifrices; pumice stone; lipstick cases; hydrogen peroxide for cosmetic purposes; breath freshening strips; teeth whitening strips; abrasive cloth; glass cloth [abrasive cloth]; lipsticks; pomades for cosmetic purposes; breath freshening preparations for personal hygiene; shaving preparations; bath preparations, not for medical purposes; cosmetic preparations for baths; hair straightening preparations; hair waving preparations; laundry soaking preparations; grinding preparations; smoothing preparations [starching]; color-removing preparations; leather bleaching preparations; polishing preparations; denture polishes; mouthwashes, not for medical purposes; cosmetic preparations for slimming purposes; starch

glaze for laundry purposes; preparations to make the leaves of plants shiny; eye-washes, not for medical purposes; fabric softeners for laundry use; laundry bleach; dry-cleaning preparations; paint stripping preparations; lacquer-removing preparations; make-up removing preparations; floor wax removers [scouring preparations]; varnish-removing preparations; rust removing preparations; nail care preparations; cleaning preparations; preparations for cleaning dentures; wallpaper cleaning preparations; preparations for unblocking drain pipes; chemical cleaning preparations for household purposes; collagen preparations for cosmetic purposes; bleaching preparations [decolorants] for household purposes; laundry preparations; aloe vera preparations for cosmetic purposes; sunscreen preparations; color-brightening chemicals for household purposes [laundry]; shining preparations [polish]; make-up powder; diamantine [abrasive]; stain removers; nail varnish removers; vaginal washes for personal sanitary or deodorant purposes; scouring solutions; false eyelashes; tissues impregnated with cosmetic lotions; tissues impregnated with make-up removing preparations; baby wipes impregnated with cleaning preparations; safrol; massage candles for cosmetic purposes; laundry blueing; turpentine for degreasing; potpourris [fragrances]; bleaching soda; washing soda, for cleaning; bath salts, not for medical purposes; bleaching salts; fumigation preparations [perfumes]; preservatives for leather [polishes]; ammonia [volatile alkali] [detergent]; astringents for cosmetic purposes; eyebrow cosmetics; make-up preparations; sun-tanning preparations [cosmetics]; hair dyes; neutralizers for permanent waving; cosmetic preparations for eyelashes; cosmetic preparations for skin care; shoe wax; cosmetics; cosmetics for children; cosmetics for animals; mascara; detergents, other than for use in manufacturing operations and for medical purposes; cleansers for intimate personal hygiene purposes, non medicated; douching preparations for personal sanitary or deodorant purposes [toiletries]; degreasers, other than for use in manufacturing processes; bleaching preparations [decolorants] for cosmetic purposes; toiletry preparations; antiperspirants [toiletries]; phyto-cosmetic preparations; talcum powder, for toilet use; cotton swabs for cosmetic purposes; terpenes [essential oils]; emery cloth; cloths impregnated with a detergent for cleaning; henna [cosmetic dye]; shampoos; shampoos for animals [non-medicated grooming preparations]; shampoos for pets [non-medicated grooming preparations]; dry shampoos; sandpaper; soda lye; herbal extracts for cosmetic purposes; extracts of flowers [perfumes]; ethereal essences; badian essence; mint essence [essential oil].

35 – Arranging subscriptions to telecommunication services for others; import-export agency services; commercial information agency services; advertising agency services; cost price analysis; rental of office equipment in co-working facilities; rental of advertising space; business auditing; financial auditing; bu-

ness intermediary services relating to the matching of potential private investors with entrepreneurs needing funding; employment agency services; computerized file management; book-keeping; invoicing; demonstration of goods; transcription of communications [office functions]; opinion polling; market studies; providing business information; providing commercial information and advice for consumers in the choice of products and services; business investigations; business research; marketing research; personnel recruitment; consultancy regarding advertising communication strategies; consultancy regarding public relations communication strategies; business management and organization consultancy; business organization consultancy; business management consultancy; personnel management consultancy; professional business consultancy; layout services for advertising purposes; marketing services; marketing in the framework of software publishing; targeted marketing; business management of performing artists; business management of sports people; writing of résumés for others; scriptwriting for advertising purposes; news clipping services; updating and maintenance of information in registries; updating and maintenance of data in computer databases; updating of advertising material; word processing; online retail services for downloadable and pre-recorded music and movies; online retail services for downloadable ring tones; online retail services for downloadable digital music; organization of exhibitions for commercial or advertising purposes; arranging newspaper subscriptions for others; organization of fashion shows for promotional purposes; organization of exhibitions and trade fairs for commercial or advertising purposes; shop window dressing; development of advertising concepts; business appraisals; payroll preparation; data search in computer files for others; sponsorship search; administrative assistance in responding to calls for tenders; business management assistance; commercial or industrial management assistance; commercial intermediation services; providing business information via a web site; providing commercial and business contact information; provision of an online marketplace for buyers and sellers of goods and services; web indexing for commercial or advertising purposes; presentation of goods on communication media, for retail purposes; media relations services; economic forecasting; auctioneering; wholesale services for pharmaceutical, veterinary and sanitary preparations and medical supplies; retail services for works of art provided by art galleries; retail services for pharmaceutical, veterinary and sanitary preparations and medical supplies; sales promotion for others; promotion of goods and services through sponsorship of sports events; production of teleshopping programmes; production of advertising films; office machines and equipment rental; rental of advertising time on communication media; publicity material rental; rental of billboards [advertising boards]; rental of vending machines; ren-

tal of sales stands; rental of photocopying machine; publication of publicity texts; radio advertising; bill-posting; distribution of samples; dissemination of advertising matter; direct mail advertising; registration of written communications and data; writing of publicity texts; advertising; online advertising on a computer network; advertising by mail order; television advertising; document reproduction being photocopying services; compilation of information into computer databases; compilation of statistics; business inquiries; systemization of information into computer databases; advisory services for business management; corporate communications services; negotiation of business contracts for others; negotiation and conclusion of commercial transactions for third parties; compiling indexes of information for commercial or advertising purposes; tax preparation; drawing up of statements of account; telemarketing services; psychological testing for the selection of personnel; interim business management; outsourced administrative management for companies; business management of hotels; business management for freelance service providers; business project management services for construction projects; commercial administration of the licensing of the goods and services of others; business management of reimbursement programs for others; administration of consumer loyalty programs; administration of frequent flyer programs; administrative processing of purchase orders; public relations; commercial lobbying services; competitive intelligence services; modelling for advertising or sales promotion; typing; market intelligence services; appointment reminder services [office functions]; web site traffic optimization; administrative services for the relocation of businesses; tax filing services; search engine optimization for sales promotion; appointment scheduling services [office functions]; retail or wholesale services for cosmetics, deodorants for human beings or for animals; gift registry services; price comparison services; pay per click advertising; retail services for herbal teas, for cosmetics, deodorants for human beings or for animals, provided by means of mail order catalogs; retail services for fabric softeners, for cosmetics, deodorants for human beings or for animals, on Internet web sites or teleshopping services; secretarial services; procurement services for others [purchasing goods and services for other businesses]; shorthand; outsourcing services [business assistance]; telephone answering for unavailable subscribers; photocopying services; business efficiency expert services.

(260) AM 2022 112846 A

(800) 1589049

(151) 2021 02 03

(891) 2021 02 03

(731) SOPHARMA AD

Iliensko shose Str. 16, BG-1220 SOFIA,
Bulgaria

(540)

Videral sopharma

(591) Black, white

(531) 27.05.01

(511)

5 – Pharmaceutical preparations for prevention and treatment of diseases of the skeletal system.

(260) AM 2022 112864 A

(800) 1589374

(151) 2021 03 03

(891) 2021 03 03

(731) Sunda (Kenya) Industrial Company Limited
Sameer Business Park, Mombasa Road,
P.O. Box 6780, 00200 Nairobi, Kenya

(540)

SOFTCARE

(591) Black, white

(511)

5 – Pharmaceutical and veterinary preparations; dietetic substances adapted for medical use; food for babies; plasters; preparation for destroying vermin; fungicides; herbicides.

(260) AM 2022 112865 A

(800) 1589404

(151) 2021 01 18

(891) 2021 01 18

(731) World Triathlon, Maison du Sport
International Av. de Rhodanie 54, CH-1007
Lausanne, Switzerland

(540)



(591) Black, white

(531) 01.01.12; 02.09.14; 27.03.01; 27.03.02

(511)

25 – Uniforms for combat sports; tracksuits; spikes for sports footwear; sports shoes; training shoes; moisture-wicking sports bras; bralettes; sports bras; moisture-wicking sports pants; sports shorts; wet suits for surface water sports; sports jerseys; sports coats; sports jackets; sports tank tops; moisture-wicking sports shirts; sports socks; sports socks; sports clothing; footwear, other than for sports; athletic footwear; boots for sports; short-sleeve sports shirts.

41 – Sports coaching services; reservation services of all kinds for tickets for entertainment, sporting and cultural events; reservation services for sporting,

scientific and cultural events; reservation services of all kinds for tickets for entertainment, sporting and cultural events; reservation services of all kinds for tickets for entertainment, sporting and cultural events; film, music, sport, video and theater entertainment services; educational and training services relating to sports; sports club services; sports camp services; sports coaching services; hosting of entertainment, cultural and sports events live, educational events and entertainment and cultural activities; booking of seats for shows and sports events; preparation and conducting of entertainment, sporting and cultural activities; preparation and hosting of sporting and cultural events; organization of sporting events; organization of sports events and competitions; organization of sporting and cultural events; organization of educational, sporting, cultural and entertainment events; preparation of film events, musical events, cultural and sporting events as well as live entertainment events; preparing live motion picture events, music events as well as cultural and sporting events; organization of sports competitions; organization of educational, cultural, sporting and entertainment competitions; organization of competitions or other sporting and cultural events for charitable purposes; organization of sporting and cultural activities; rental of sports grounds; rental of sports equipment except vehicles; provision of sports facilities; providing on-line information about education, training, entertainment, sporting and cultural activities; provision of facilities for physical education, games and sports; providing online entertainment in the form of game tournaments, fantasy sports leagues and game shows; providing on-line entertainment in the nature of fantasy sports leagues; provision of information relating to education, training, entertainment, sporting and cultural activities; provision of facilities for winter sports; timing of sports events; services provided by consultants relating to reservation services provided by telephone call centers and hotlines for sporting, scientific and cultural events; consultancy in the field of education, training and further training, and entertainment provided via telephone call centers and hotlines; sporting and cultural activities; sporting activities; entertainment and sporting activities; sports coaching services; consultancy in the field of education and entertainment provided via telephone call centers and hotlines.

(260) AM 2022 112866 A
 (800) 1589446
 (151) 2021 02 19
 (891) 2021 02 19
 (731) CLAAS KGaA mbH
 Mühlenwinkel 1, 33428 Harsewinkel,
 Germany
 (540)

TRION

(591) Black, white

(511)
 7 – Combine harvesters, and parts therefor.

(260) AM 2022 112867 A
 (800) 1589456
 (151) 2021 03 18
 (891) 2021 03 18
 (731) Wm. Bolthouse Farms, Inc.
 7200 East Brundage Lane, Bakersfield
 CA 93307, USA
 (540)

WUNDERROOTS

(591) Black, white
 (511)
 29 – Processed vegetables.

(260) AM 2022 112868 A
 (800) 1589463
 (151) 2020 12 11
 (891) 2020 12 11
 (731) Otsuka Holdings Co., Ltd.
 2-9 Kanda-Tsukasamachi, Chiyoda-ku,
 Tokyo 101-8535, Japan
 (540)



(591) Blue and red
 (531) 26.04.04; 26.04.06; 26.04.07; 26.04.09;
 26.04.09; 27.05.01; 29.01.13
 (511)

5 – Pharmaceutical preparations; medicinal preparations; infusion solution; dietetic food adapted for medical purposes; dietetic beverages adapted for medical purposes; dietary supplements for humans; reagent paper for medical purposes; oiled paper for medical purposes; adhesive tapes for medical purposes; drug delivery agents in the form of edible wafers for wrapping powdered pharmaceuticals; gauze for dressings; empty capsules for pharmaceuticals; eyepatches for medical purposes; ear bandages; menstruation bandages; menstruation tampons; sanitary napkins; sanitary panties; absorbent cotton; adhesive plasters; bandages for dressings; liquid bandages; breast-nursing pads; cotton swabs for medical use; dental materials; diapers; diaper covers; fly catching paper; mothproofing paper; lacteal flour for babies; beverages for babies; food for babies; dietary supplements for animals; semen for artificial insemination; ferments for pharmaceutical purposes; cement for animal hooves; transplants [living tissues]; diapers for pets; dietary fiber; leeches for medical purposes; diaper changing mats, disposable, for babies.

(260) AM 2022 112870 A
 (800) 1589646
 (151) 2021 02 09
 (891) 2021 02 09
 (731) SUBSIDIARY COMPANY
 "CONFECTIONERY CORPORATION,
 "ROSHEN"
 prospect Nauky, bud. 1, korpus 1, m. Kyiv
 03039, Ukraine
 (540)



(591) Black, white
 (531) 27.05.02; 27.05.17; 27.07.02; 27.07.11;
 27.07.17
 (511)
 30 – Peanut confectionery; cereal bars; high-protein cereal bars; flour confectionery; waffles; biscuits; cake frosting [icing]; chocolate-coated nuts; mirror icing [mirror glaze]; chewing gum; custard; cereal-based snack food; frozen yogurt [confectionery ices]; caramels [sweets]; confectionery; confectionery for decorating Christmas trees; sugar confectionery; crackers; liquorice [confectionery]; mints for breath freshening; marzipan; almond paste; almond confectionery; ice cream; dessert mousses [confectionery]; chocolate mousses; peppermint sweets; stick liquorice [confectionery]; lozenges (confectionery); pastilles [confectionery]; pies; fondants [confectionery]; pralines; candy decorations for cakes; chocolate decorations for cakes; gingerbread; puddings; cake powder; rice pudding; rice cakes; malt biscuits; candies; sorbets [ices]; chocolate-based spreads; chocolate spreads containing nuts; petit-beurre biscuits; tarts; cakes; tortillas; fruit jellies [confectionery]; halvah; sweets; chocolate.

(260) AM 2022 112877 A
 (800) 1589815
 (151) 2021 02 15
 (891) 2021 02 15
 (731) Individual entrepreneur Khohlov Dmitriy
 Leonidovich
 ul. Urzhumskaya, d. 3, korp. 4, kv. 234,
 RU-129343 Moscow, Russian Federation
 (540)

OCCUBA

(591) Black, white
 (511)
 3 – Abrasives; amber [perfume]; descaling preparations for household purposes; antistatic preparations for household purposes; aromatics [essential oils]; air fragrancing preparations; cake flavorings [essential

oils]; flavorings for beverages [essential oils]; food flavorings [essential oils]; breath freshening sprays; canned pressurized air for cleaning and dusting purposes; balms, other than for medical purposes; basma [cosmetic dye]; lip glosses; nail glitter; polishing stones; abrasive paper; emery paper; polishing paper; petroleum jelly for cosmetic purposes; shoe polish; cobblers' wax; cotton wool for cosmetic purposes; sachets for perfuming linen; drying agents for dish-washing machines; adhesives for cosmetic purposes; scented water; Javelle water; lavender water; toilet water; wax for parquet floors; floor wax; non-slipping wax for floors; depilatory wax; mustache wax; creams for leather; polish for furniture and flooring; shoemakers' wax; polishing wax; tailors' wax; massage gels, other than for medical purposes; heliotropine; dental bleaching gels; geraniol; make-up; deodorants for pets; deodorants and antiperspirants for personal use; deodorants for human beings or for animals; depilatory preparations; air fragrance reed diffusers; scented wood; perfumes; non-slipping liquids for floors; windshield cleaning liquids; greases for cosmetic purposes; volcanic ash for cleaning; perfumery; decorative transfers for cosmetic purposes; ionone [perfumery]; shaving stones [astringents]; smoothing stones; eyebrow pencils; cosmetic pencils; silicon carbide [abrasive]; carbides of metal [abrasives]; alum stones [astringents]; tripoli stone for polishing; adhesives for affixing false eyelashes; adhesives for affixing false hair; hair conditioners; quillaia bark for washing; corundum [abrasive]; beard dyes; colorants for toilet purposes; cosmetic dyes; laundry starch; laundry glaze; shoe cream; polishing creams; cosmetic creams; skin whitening creams; polishing rouge; incense; hair spray; nail polish; hair lotions; lotions for cosmetic purposes; after-shave lotions; beauty masks; oils for cleaning purposes; oils for perfumes and scents; oils for cosmetic purposes; oils for toilet purposes; essential oils; essential oils of cedarwood; essential oils of lemon; essential oils of citron; bergamot oil; gaultheria oil; jasmine oil; lavender oil; almond oil; rose oil; oil of turpentine for degreasing; whitening; cleaning chalk; almond milk for cosmetic purposes; cleansing milk for toilet purposes; musk [perfumery]; soap; deodorant soap; shaving soap; soap for brightening textile; cakes of toilet soap; antiperspirant soap; soap for foot perspiration; almond soap; mint for perfumery; cosmetic kits; emery; gel eye patches for cosmetic purposes; nail art stickers; false nails; eau de Cologne; bases for flower perfumes; joss sticks; pastes for razor strops; non-medicated dentifrices; pumice stone; lipstick cases; hydrogen peroxide for cosmetic purposes; breath freshening strips; teeth whitening strips; abrasive cloth; glass cloth [abrasive cloth]; lipsticks; pomades for cosmetic purposes; breath freshening preparations for personal hygiene; shaving preparations; bath preparations, not for medical purposes; cosmetic preparations for baths; hair straightening preparations; hair waving preparations; laundry

soaking preparations; grinding preparations; smoothing preparations [starching]; color-removing preparations; leather bleaching preparations; polishing preparations; denture polishes; mouthwashes, not for medical purposes; cosmetic preparations for slimming purposes; starch glaze for laundry purposes; preparations to make the leaves of plants shiny; eye-washes, not for medical purposes; fabric softeners for laundry use; laundry bleach; dry-cleaning preparations; paint stripping preparations; lacquer-removing preparations; make-up removing preparations; floor wax removers [scouring preparations]; varnish-removing preparations; rust removing preparations; nail care preparations; cleaning preparations; preparations for cleaning dentures; wallpaper cleaning preparations; preparations for unblocking drain pipes; chemical cleaning preparations for household purposes; collagen preparations for cosmetic purposes; bleaching preparations [decolorants] for household purposes; laundry preparations; aloe vera preparations for cosmetic purposes; sunscreen preparations; color-brightening chemicals for household purposes [laundry]; shining preparations [polish]; make-up powder; diamantine [abrasive]; stain removers; nail varnish removers; vaginal washes for personal sanitary or deodorant purposes; scouring solutions; false eyelashes; tissues impregnated with cosmetic lotions; tissues impregnated with make-up removing preparations; baby wipes impregnated with cleaning preparations; safol; massage candles for cosmetic purposes; laundry blueing; turpentine for degreasing; potpourris [fragrances]; bleaching soda; washing soda, for cleaning; bath salts, not for medical purposes; bleaching salts; fumigation preparations [perfumes]; preservatives for leather [polishes]; ammonia [volatile alkali] [detergent]; astringents for cosmetic purposes; eyebrow cosmetics; make-up preparations; sun-tanning preparations [cosmetics]; hair dyes; neutralizers for permanent waving; cosmetic preparations for eyelashes; cosmetic preparations for skin care; shoe wax; cosmetics; cosmetics for children; cosmetics for animals; mascara; detergents, other than for use in manufacturing operations and for medical purposes; cleansers for intimate personal hygiene purposes, non medicated; douching preparations for personal sanitary or deodorant purposes [toiletries]; degreasers, other than for use in manufacturing processes; bleaching preparations [decolorants] for cosmetic purposes; toiletry preparations; antiperspirants [toiletries]; phytocosmetic preparations; beauty serums; talcum powder, for toilet use; cotton swabs for cosmetic purposes; terpenes [essential oils]; emery cloth; cloths impregnated with a detergent for cleaning; henna [cosmetic dye]; shampoos; shampoos for animals [non-medicated grooming preparations]; shampoos for pets [non-medicated grooming preparations]; dry shampoos; sandpaper; soda lye; herbal extracts for cosmetic purposes; extracts of flowers [perfumes]; ethereal essences; badian essence; mint essence [essential oil].

35 – Arranging subscriptions to telecommunication services for others; import-export agency services; commercial information agency services; advertising agency services; cost price analysis; rental of office equipment in co-working facilities; rental of advertising space; business auditing; financial auditing; business intermediary services relating to the matching of potential private investors with entrepreneurs needing funding; employment agency services; computerized file management; book-keeping; invoicing; demonstration of goods; transcription of communications [office functions]; opinion polling; market studies; providing business information; providing commercial information and advice for consumers in the choice of products and services; business investigations; business research; marketing research; personnel recruitment; consultancy regarding advertising communication strategies; consultancy regarding public relations communication strategies; business management and organization consultancy; business organization consultancy; business management consultancy; personnel management consultancy; professional business consultancy; layout services for advertising purposes; marketing services; marketing in the framework of software publishing; targeted marketing; business management of performing artists; business management of sports people; writing of résumés for others; scriptwriting for advertising purposes; news clipping services; updating and maintenance of information in registries; updating and maintenance of data in computer databases; updating of advertising material; word processing; online retail services for downloadable and pre-recorded music and movies; online retail services for downloadable ring tones; online retail services for downloadable digital music; organization of exhibitions for commercial or advertising purposes; arranging newspaper subscriptions for others; organization of fashion shows for promotional purposes; organization of exhibitions and trade fairs for commercial or advertising purposes; shop window dressing; development of advertising concepts; business appraisals; payroll preparation; data search in computer files for others; sponsorship search; administrative assistance in responding to calls for tenders; business management assistance; commercial or industrial management assistance; commercial intermediation services; providing business information via a web site; providing commercial and business contact information; provision of an online marketplace for buyers and sellers of goods and services; web indexing for commercial or advertising purposes; presentation of goods on communication media, for retail purposes; media relations services; economic forecasting; auctioneering; wholesale services for pharmaceutical, veterinary and sanitary preparations and medical supplies; retail services for works of art provided by art galleries; retail services for pharmaceutical, veterinary and sanitary preparations and medical supplies; sales promotion for others; promotion of goods and services

through sponsorship of sports events; production of teleshopping programmes; production of advertising films; office machines and equipment rental; rental of advertising time on communication media; publicity material rental; rental of billboards [advertising boards]; rental of vending machines; rental of sales stands; rental of photocopying machine; publication of publicity texts; radio advertising; bill-posting; distribution of samples; dissemination of advertising matter; direct mail advertising; registration of written communications and data; writing of publicity texts; advertising; online advertising on a computer network; advertising by mail order; television advertising; duplication of documents; compilation of information into computer databases; compilation of statistics; business inquiries; systemization of information into computer databases; advisory services for business management; corporate communications services; negotiation of business contracts for others; negotiation and conclusion of commercial transactions for third parties; compiling indexes of information for commercial or advertising purposes; tax preparation; drawing up of statements of account; telemarketing services; psychological testing for the selection of personnel; interim business management; outsourced administrative management for companies; business management of hotels; business management for freelance service providers; business project management services for construction projects; commercial administration of the licensing of the goods and services of others; business management of reimbursement programs for others; administration of consumer loyalty programs; administration of frequent flyer programs; administrative processing of purchase orders; public relations; commercial lobbying services; competitive intelligence services; modelling for advertising or sales promotion; typing; market intelligence services; appointment reminder services [office functions]; web site traffic optimization; administrative services for the relocation of businesses; tax filing services; search engine optimization for sales promotion; appointment scheduling services [office functions]; retail or wholesale services for cosmetics, hair conditioners, hair lotions, shampoos; gift registry services; price comparison services; pay per click advertising; retail services for cosmetics, hair conditioners, hair lotions, shampoos, provided by means of mail order catalogs; retail services for cosmetics, hair conditioners, hair lotions, shampoos, on Internet web sites or teleshopping services; secretarial services; procurement services for others [purchasing goods and services for other businesses]; shorthand; outsourcing services [business assistance]; telephone answering for unavailable subscribers; photocopying services; business efficiency expert services.

(260) AM 2022 112879 A
 (800) 1589931
 (151) 2021 01 11
 (891) 2021 01 11
 (731) MEHCO YİYECEK İÇECEK TİC. LTD. ŞTİ.
 Tomtom Mah. Örtme Altı Sok., No:10/1
 Beyoğlu, İstanbul, Turkey

(540)



(591) Black, white
 (531) 01.15.15; 26.11.01; 26.11.12; 27.05.01;
 27.05.01

(511)

30 – Coffee, tea, cocoa and artificial coffee; rice, pasta and noodles; tapioca and sago; flour and preparations made from cereals; bread, pastries and confectionery; chocolate; ice cream, sorbets and other edible ices; sugar, honey, treacle; yeast, baking-powder; salt, seasonings, spices, preserved herbs; vinegar, sauces and other condiments; ice (frozen water).

43 – Services for providing food and drink; temporary accommodation; temporary accommodation reservations; boarding for animals; day-nursery and crèche services.

(260) AM 2022 112889 A
 (800) 796622
 (151) 2002 12 17
 (891) 2021 04 15
 (731) ALAIN AFFLELOU FRANCHISEUR
 11 rue d'Argenson, F-75008 PARIS, France

(540)

EPHEMERE

(591) Black, white
 (531) 27.05.01
 (511)
 9 – Disposable daily lenses.

(260) AM 2022 112890 A
 (800) 1223283
 (151) 2014 07 09
 (891) 2021 04 16
 (731) ESTAR ASALVO, S.L.
 Poligono Industrial Fridex, Calle 1, Naves E-F,
 Alcalá de Guadaira, E-41500 Sevilla, Spain

(540)



(591) Black, white
(531) 25.03; 25.03.03
(511)

12 – Vehicles; apparatus for locomotion by land, air or water; especially cars and baby carriages, wheeled portable cots, folding strollers, wheelchairs, safety seats (for vehicles), safety seats for children for use in vehicles and parts for all the aforesaid goods.

20 – Cradles, cradle protections, accessories for cradles (other than bed clothes), beds, Moses baskets, high chairs, baby walkers, chairs, armchairs, easy chairs, cushions and pillows for travel.

(260) AM 2022 112891 A
(800) 1308231
(151) 2016 06 23
(891) 2021 04 12
(731) NIPPON SODA CO., LTD.
2-1, Ohtemachi 2-chome, Chiyoda-ku,
Tokyo 100-8165, Japan
(540)

MIMIC

(591) Black, white
(511)
5 – Insecticides; insecticides for agricultural, horticultural, and home garden use; insecticides for termite control.

(260) AM 2022 112892 A
(800) 1310787
(151) 2016 06 16
(891) 2021 04 12
(731) NIPPON SODA CO., LTD.
2-1, Ohtemachi 2-chome, Chiyoda-ku,
Tokyo 100-8165, Japan
(540)

Cyflamid

(591) Black, white
(511)
5 – Fungicides; fungicides for agricultural, horticultural, and home garden use.

(260) AM 2022 112893 A
(800) 1393259
(151) 2017 08 02
(891) 2021 03 01
(731) GEDİK TAVUKÇULUK VE TARIM
ÜRÜNLERİ TİCARET SANAYİ ANONİM
ŞİRKETİ
Kolankaya Köyü, No:85, Eşme, Uşak,
Turkey
(540)



(591) Green, light green and orange
(531) 01.15.15; 25.01.19; 27.05.01; 29.01.13
(526) piliç
(511)
29 – Meat, fish, poultry and game, processed meat products; soups, bouillon; eggs and powdered eggs; chicken, chicken croquettes, chicken mousse, chicken mousses, chicken nuggets, chicken salad, chicken stock, chicken terrines, chicken wings, chicken breast fillets, chicken burger patties, frozen appetizers consisting primarily of chicken.

(260) AM 2022 112894 A
(800) 1451824
(151) 2018 12 11
(891) 2021 04 22
(731) VITAGERMINE
Parc d'Activité du Courneau -, Rue du Pré
Meunier – CS 60003 -, Lieu dit Canéjan,
F-33612 CESTAS Cedex, France
(540)



(591) Pantone P1785c
(531) 05.03.11; 05.03.13; 26.01.03; 27.05.01;
27.05.07; 29.01.01
(511)
3 – Perfumes; essential oils; cosmetics; soaps; hair lotions; all these goods produced by organic farming or made from goods produced by organic farming.
5 – Food for babies; food preparations for infants; prepared cereals for consumption by babies; lacteal flour for babies; milk ferments for pharmaceutical

use; milk for children; powdered milk for babies; beverages for babies; vitamin beverages; all these goods produced by organic farming or made from goods produced by organic farming.

28 – Games; toys; plush toys made of cotton obtained by organic farming.

29 – Milk; powdered milk; milk beverages, milk predominating; flavored milk beverages; dairy products; milk-based breakfast preparations; cheeses; preserved, dried and cooked fruit and vegetables; jams; compotes; vegetable purées; potages (soups); precooked soups; bouillons; cooked dishes and culinary preparations (excluding cooked dishes and culinary preparations for animals) based on fish, meat, ham, poultry, vegetables, rice and/or pasta; all these goods produced by organic farming or made from goods produced by organic farming.

30 – Coffee; tea; cocoa; artificial coffee; flour and preparations made from cereals; bread; pastry and confectionery; biscuits, cookies; cakes; cereal-based breakfast preparations; edible ices; sauces (condiments); all these goods obtained from organic farming or made from goods obtained from organic farming.

(260) AM 2022 112943 A

(800) 1590280

(151) 2021 01 12

(891) 2021 01 12

(731) Kapman AB

Fiskaregatan 1, SE-531 30 LIDKÖPING,
Sweden

(540)

BAHCO

(591) Black, white

(511)

11 – Lighting installations; lighting apparatus/units; vehicle lighting and lighting reflectors; lamps; lamp stands; lamp reflectors; inspection lamps; testing lamps for cars; casings for lamps; hanging lamps; indoor lamps and outdoor lamps; under bonnet light; cordless hand lamps; corded lamps; torches for lighting; safety lamps; infrared lamps; helmet lights.

18 – Tool bags, empty; empty tool pouches; belt pouches; shoulder bags; back packs; carrying cases; boxes of leather or leatherboard.

(260) AM 2022 112944 A

(800) 1590284

(151) 2020 12 16

(891) 2020 12 16

(731) SHANGHAI SUNMI TECHNOLOGY CO.,
LTD.

Room 505, NO.388 Song Hu Road, Yang Pu
District, 200433 Shanghai, China

(540)



(591) Orange

(531) 27.05.01; 29.01.01

(511)

9 – Computer printers; scanners [data processing equipment]; couplers [data processing equipment]; electronic tags for goods; liquid crystal displays; memory expansion modules; computers; readers [data processing equipment]; digital signal processors; thermal printers; weighing apparatus and instruments; scales; invoicing machines; counters; automatic measuring instruments; cash registers; mobile power (rechargeable battery); electric monitoring apparatus; interactive touch screen terminals; point of sale terminals (POS); wireless routers; computer peripheral devices; bar code readers; data processing apparatus; money counting and sorting machines.

42 – Design and development of software in the field of mobile applications; developing computer programs for electronic cash register systems; recovery of smartphone data; design and development of wireless computer networks; creating and maintaining web sites for others; computer software consultancy; designing computer software for controlling self-service terminals; design and development of computer software; monitoring of computer systems by remote access; installation of computer software.

(260) AM 2022 112950 A

(800) 1590366

(151) 2021 03 31

(891) 2021 03 31

(731) Servowatch Systems Ltd

Endeavour House, Benbridge Industrial Estate,
Holloway Road, Heybridge, MALDON,
Essex CM9 4ER, United Kingdom

(540)

WINMON

(591) Black, white

(511)

9 – Computer software.

(260) AM 2022 112954 A

(800) 1590502

(151) 2021 02 04

(891) 2021 02 04

(731) Individual entrepreneur Tovstik Roman
Vladimirovich

prospekt Vernadskogo, d. 94, korp. 2, kv. 2,
RU-119571 Moscow, Russian Federation

(540)

FINEFFECT

(591) Black, white

(511)

3 – Abrasives; amber [perfume]; descaling preparations for household purposes; antistatic preparations for household purposes; aromatics [essential oils]; air fragrancing preparations; cake flavorings [essential oils]; flavorings for beverages [essential oils]; food flavorings [essential oils]; breath freshening sprays; canned pressurized air for cleaning and dusting purposes; balms, other than for medical purposes; basma [cosmetic dye]; lip glosses; nail glitter; polishing stones; abrasive paper; emery paper; polishing paper; petroleum jelly for cosmetic purposes; shoe polish; cobblers' wax; cotton wool for cosmetic purposes; sachets for perfuming linen; drying agents for dishwashing machines; adhesives for cosmetic purposes; scented water; Javelle water; lavender water; toilet water; wax for parquet floors; floor wax; non-slipping wax for floors; depilatory wax; mustache wax; creams for leather; polish for furniture and flooring; shoemakers' wax; polishing wax; tailors' wax; massage gels, other than for medical purposes; heliotropine; dental bleaching gels; geraniol; make-up; deodorants for pets; deodorants for human beings or for animals; depilatory preparations; air fragrance reed diffusers; scented wood; perfumes; non-slipping liquids for floors; windshield cleaning liquids; greases for cosmetic purposes; volcanic ash for cleaning; perfumery; decorative transfers for cosmetic purposes; ionone [perfumery]; shaving stones [astringents]; smoothing stones; eyebrow pencils; cosmetic pencils; silicon carbide [abrasive]; carbides of metal [abrasives]; alum stones [astringents]; tripoli stone for polishing; adhesives for affixing false eyelashes; adhesives for affixing false hair; hair conditioners; laundry additives; quillaia bark for washing; corundum [abrasive]; beard dyes; colorants for toilet purposes; cosmetic dyes; laundry starch; laundry glaze; shoe cream; polishing creams; cosmetic creams; skin whitening creams; polishing rouge; incense; hair spray; nail polish; hair lotions; lotions for cosmetic purposes; after-shave lotions; beauty masks; oils for cleaning purposes; oils for perfumes and scents; oils for cosmetic purposes; oils for toilet purposes; essential oils; essential oils of cedarwood; essential oils of lemon; essential oils of citron; bergamot oil; gaultheria oil; jasmine oil; lavender oil; almond oil; rose oil; oil of turpentine for degreasing; whiting; cleaning chalk; almond milk for cosmetic purposes; cleansing milk for toilet purposes; musk [perfumery]; soap; deodorant soap; shaving soap; soap for brightening textile; laundry soap; liquid soap for washing dishes; cakes of toilet soap; antiperspirant soap; soap for foot perspiration; almond soap; mint for perfumery; cosmetic kits; emery; gel eye patches for cosmetic purposes; nail art stickers; false nails; eau de Cologne; bases for flower perfumes; joss sticks; tooth polish; pastes for razor strops; non-medicated dentifrices; pumice stone; lipstick cases; hydrogen peroxide for cosmetic purposes; impregnated

paper tissues for cleaning dishware; breath freshening strips; teeth whitening strips; abrasive cloth; glass cloth [abrasive cloth]; lipsticks; pomades for cosmetic purposes; breath freshening preparations for personal hygiene; shaving preparations; bath preparations, not for medical purposes; cosmetic preparations for baths; hair straightening preparations; hair waving preparations; laundry soaking preparations; grinding preparations; smoothing preparations [starching]; color-removing preparations; leather bleaching preparations; polishing preparations; denture polishes; mouthwashes, not for medical purposes; cosmetic preparations for slimming purposes; starch glaze for laundry purposes; preparations to make the leaves of plants shiny; eye-washes, not for medical purposes; fabric softeners for laundry use; laundry bleach; dry-cleaning preparations; scouring preparations; paint stripping preparations; lacquer-removing preparations; make-up removing preparations; floor wax removers [scouring preparations]; varnish-removing preparations; rust removing preparations; nail care preparations; cleaning preparations; preparations for cleaning dentures; wall-paper cleaning preparations; preparations for unblocking drain pipes; chemical cleaning preparations for household purposes; collagen preparations for cosmetic purposes; dishwasher detergents; bleaching preparations [decolorants] for household purposes; laundry preparations; aloe vera preparations for cosmetic purposes; sunscreen preparations; color-brightening chemicals for household purposes [laundry]; shining preparations [polish]; make-up powder; diamantine [abrasive]; stain removers; nail varnish removers; vaginal washes for personal sanitary or deodorant purposes; scouring solutions; false eyelashes; pre-moistened towelettes impregnated with dishwashing detergent; baby wipes impregnated with cleaning preparations; tissues impregnated with cosmetic lotions; cloths impregnated with a detergent for cleaning spectacles; tissues impregnated with make-up removing preparations; safrol; massage candles for cosmetic purposes; laundry blueing; turpentine for degreasing; potpourris [fragrances]; bleaching soda; washing soda, for cleaning; bath salts, not for medical purposes; bleaching salts; fumigation preparations [perfumes]; preservatives for leather [polishes]; ammonia [volatile alkali] [detergent]; astringents for cosmetic purposes; eyebrow cosmetics; make-up preparations; sun-tanning preparations [cosmetics]; dishwashing detergents; hair dyes; neutralizers for permanent waving; cosmetic preparations for eyelashes; laundry and bleaching preparations; cosmetic preparations for skin care; shoe wax; cosmetics; cosmetics for children; cosmetics for animals; mascara; detergents, other than for use in manufacturing operations and for medical purposes; cleansers for intimate personal hygiene purposes, non medicated; douching preparations for personal sanitary or deodorant purposes [toilettries]; degreasers, other than for use in manufacturing processes; bleaching preparations [decolorants] for cosmetic purposes; toi-

letry preparations; antiperspirants [toiletries]; phyto-cosmetic preparations; dish detergents; talcum powder, for toilet use; cotton swabs for cosmetic purposes; terpenes [essential oils]; emery cloth; cloths impregnated with a detergent for cleaning; henna [cosmetic dye]; shampoos; shampoos for animals [non-medicated grooming preparations]; shampoos for pets [non-medicated grooming preparations]; dry shampoos; sandpaper; soda lye; herbal extracts for cosmetic purposes; extracts of flowers [perfumes]; ethereal essences; badian essence; mint essence [essential oil].

35 – Arranging subscriptions to telecommunication services for others; import-export agency services; commercial information agency services; advertising agency services; cost price analysis; rental of office equipment in co-working facilities; rental of advertising space; business auditing; financial auditing; business intermediary services relating to the matching of potential private investors with entrepreneurs needing funding; employment agency services; computerized file management; bookkeeping; invoicing; demonstration of goods; transcription of communications [office functions]; opinion polling; market studies; providing business information; providing commercial information and advice for consumers in the choice of products and services; business investigations; business research; marketing research; personnel recruitment; consultancy regarding advertising communication strategies; consultancy regarding public relations communication strategies; business management and organization consultancy; business organization consultancy; business management consultancy; personnel management consultancy; professional business consultancy; layout services for advertising purposes; marketing services; marketing in the framework of software publishing; targeted marketing; business management of performing artists; business management of sports people; writing of résumés for others; scriptwriting for advertising purposes; news clipping services; updating and maintenance of information in registries; updating and maintenance of data in computer databases; updating of advertising material; word processing; online retail services for downloadable and pre-recorded music and movies; online retail services for downloadable ring tones; online retail services for downloadable digital music; organization of exhibitions for commercial or advertising purposes; arranging newspaper subscriptions for others; organization of fashion shows for promotional purposes; organization of exhibitions and trade fairs for commercial or advertising purposes; shop window dressing; development of advertising concepts; business appraisals; payroll preparation; data search in computer files for others; sponsorship search; administrative assistance in responding to calls for tenders; business management assistance; commercial or industrial management assistance; commercial intermediation services; providing business information via a web site; providing commercial and business contact informa-

tion; provision of an online marketplace for buyers and sellers of goods and services; web indexing for commercial or advertising purposes; presentation of goods on communication media, for retail purposes; media relations services; economic forecasting; auctioneering; wholesale services for pharmaceutical, veterinary and sanitary preparations and medical supplies; retail services for works of art provided by art galleries; retail services for pharmaceutical, veterinary and sanitary preparations and medical supplies; sales promotion for others; promotion of goods and services through sponsorship of sports events; production of teleshopping programmes; production of advertising films; office machines and equipment rental; rental of advertising time on communication media; publicity material rental; rental of billboards [advertising boards]; rental of vending machines; rental of sales stands; rental of photocopying machine; publication of publicity texts; radio advertising; bill-posting; distribution of samples; dissemination of advertising matter; direct mail advertising; registration of written communications and data; writing of publicity texts; advertising; online advertising on a computer network; advertising by mail order; television advertising; document reproduction being photocopying services; compilation of information into computer databases; compilation of statistics; business inquiries; systemization of information into computer databases; advisory services for business management; corporate communications services; negotiation of business contracts for others; negotiation and conclusion of commercial transactions for third parties; compiling indexes of information for commercial or advertising purposes; tax preparation; drawing up of statements of account; telemarketing services; psychological testing for the selection of personnel; interim business management; outsourced administrative management for companies; business management of hotels; business management for freelance service providers; business project management services for construction projects; commercial administration of the licensing of the goods and services of others; business management of reimbursement programs for others; administration of consumer loyalty programs; administration of frequent flyer programs; administrative processing of purchase orders; public relations; commercial lobbying services; competitive intelligence services; modelling for advertising or sales promotion; typing; market intelligence services; appointment reminder services [office functions]; web site traffic optimization; administrative services for the relocation of businesses; tax filing services; search engine optimization for sales promotion; appointment scheduling services [office functions]; retail or wholesale services for fabric softeners for laundry use, laundry bleach, laundry preparations, washing soda, for cleaning; gift registry services; price comparison services; pay per click advertising; retail services for herbal teas, for fabric softeners for laundry use, laundry bleach, laundry prepa-

rations, washing soda, for cleaning, provided by means of mail order catalogs; retail services for fabric softeners for laundry use, laundry bleach, laundry preparations, washing soda, for cleaning, on Internet web sites or teleshopping services; secretarial services; procurement services for others [purchasing goods and services for other businesses]; shorthand; outsourcing services [business assistance]; telephone answering for unavailable subscribers; photocopying services; business efficiency expert services.

(260) AM 2022 112957 A

(800) 1590581

(151) 2021 03 14

(891) 2021 03 14

(731) Apple Inc.

One Apple Park Way, Cupertino CA 95014,
USA

(540)



The logo features the Apple logo on the left, followed by the word "Fitness+" in a bold, sans-serif font. The "+" sign is larger and more prominent than the other characters.

(591) Black, white

(531) 05.07.13; 05.07.23; 24.17.05; 27.05.01

(526) Fitness+

(511)

38 – Transmission of streamed music, audio, video, podcasts, voice, data, images, radio, and multimedia content by means of telecommunications networks; subscription transmission services of streamed music, audio, video, and multimedia content by means of telecommunications networks; providing access to websites, databases, electronic bulletin boards, online forums, directories, music, podcasts, and audio and video content programs on the internet by means of telecommunications networks; streaming audio material on the internet; radio broadcasting.

(260) AM 2022 112959 A

(800) 1590598

(151) 2021 01 08

(891) 2021 01 08

(731) SUNTAT Europe GmbH

Wattstraße 2-10, 68199 Mannheim, Germany

(540)



(591) Red, yellow, white, black

(531) 01.03.02; 01.03.17; 25.03.07; 27.05.02;
27.05.17; 29.01.15

(511)

5 – Pharmaceutical and veterinary preparations for medical purposes; chemical preparations for medical and veterinary purposes; chemical reagents for medical or veterinary purposes; medicated preparations for beauty care and body care; nutritional supplements for medical and veterinary purposes; nutritional supplements for dietetic use; nutritional supplements; medical preparations for slimming purposes; food for babies; dental preparations and articles; tooth filling material; dental wax; adhesives for dental use and material for repairing teeth; sanitary preparations for medical purposes; feminine hygiene products; plasters; materials for dressings; diapers for pets; adult diapers; babies' diapers of cellulose or paper; vermin destroying preparations; herbicides, fungicides, preparations for destroying rodents; deodorants, other than for human beings or for animals; air purifying preparations; air deodorizing preparations; disinfectants; antiseptics; detergents for medical purposes; medicated soap; disinfectant soaps; antibacterial hand lotions.

29 – Meat; poultry; poultry substitutes; poultry salads; extracts of poultry; deep-frozen poultry; processed poultry; fresh poultry; preserves of poultry; cooked poultry; roast poultry; frozen poultry; poultry, not live; frozen meals consisting primarily of poultry; pieces of chicken for use as a filling in sandwiches; ready cooked meals consisting wholly or substantially wholly of poultry; game; meat extracts; fruit salads; fruits, tinned; prepared fruit; fruit, preserved; pickled fruits; frozen fruits; dried fruit; glazed fruits; candied fruit; cooked fruits; mixtures of fruit and nuts; vegetable salads; peeled vegetables; vegetables, processed; pickled vegetables; vegetables, dried; vegetables, preserved; preserved vegetables; frozen vegetables; freeze-dried vegetables; pre-cut vegetables; prepared vegetable dishes; vegetable stock; salted vegetables; prepared vegetable products; vegetable extracts for food; vegetable juice concentrates for food; jellies for food; jellies for food; jams; compotes; eggs; milk; milk products; fish, seafood and molluscs; dairy products and dairy substitutes; birds eggs and egg products; edible oils and fats; processed fruits and vegetables (including nuts, pulses) as well as processed fungi; prepared dishes consisting primarily of pulses; processed pulses; soups and stocks, meat extracts; prepared insects and larvae; sausage skins and imitations thereof; albumen for culinary purposes; alginates for culinary purposes; aloe vera prepared for human consumption; broth concentrates; croquettes; edible birds' nests; fatty substances for the manufacture of edible fats; gelatine; isinglass for food; lecithin for culinary purposes; pectin for culinary purposes; pollen prepared as foodstuff; rennet; seeds, prepared; silkworm chrysalis for human consumption; tahini [sesame seed paste]; toasted laver; seaweed extracts for food; meat; prepared meat; processed meat products; processed fish; processed seafood; escargots; prepared dishes consisting principally of meat; processed potatoes; all afore-

mentioned goods (if possible) also frozen or rather preserved, sterilized or homogenized.

30 – Coffee; tea; cocoa; artificial coffee; rice; tapioca; sago; flour; cereal preparations; bread; pastries; truffles [confectionery]; candy coated confections; confectionery items coated with chocolate; flour confectionery; prepared desserts [confectionery]; chocolate candies; snack foods consisting principally of confectionery; chocolate confectionery containing pralines; non-medicated confectionery in jelly form; chocolate for confectionery and bread; edible ices; sugar; honey; golden syrup; yeast; baking powder; salt; mustard; vinegar; sauces [condiments]; spices; ice for refreshment; ready-to-serve meals, mainly consisting of pasta; rice-based prepared meals; prepared meals containing [principally] pasta; prepared meals in the form of pizzas; prepared meals containing [principally] rice; prepared meals containing [principally] pasta; dry and liquid ready-to-serve meals, mainly consisting of rice; dry and liquid ready-to-serve meals, mainly consisting of pasta; cereal-based snack food; cereal-based snack food; cereal-based snack food; snack food products made from potato flour; snack foods prepared from maize; snacks manufactured from muesli; cereal-based snack food; snack food products made from rusk flour; snack food products made from maize flour; rice-based snack food; snack food products made from potato flour; snack food products made from cereal starch; snack foods made of whole wheat; sesame confectionery; sesame seeds [seasonings]; sesame paste; tortilla snacks; snack foods consisting principally of bread; snack foods consisting principally of extruded cereals; cheese flavored puffed corn snacks; ready to eat savory snack foods made from maize meal formed by extrusion; biscuits; dumplings; pâtés en croute; farinaceous foods; sandwiches; pizzas; spring rolls; salts, seasonings, flavourings and condiments; bakery goods; chocolate; cakes; tarts; sweetmeats [candy]; chocolate bars; chewing gum; muesli bars; custards [baked desserts]; puddings; dessert souffles; dessert mousses [confectionery]; instant dessert puddings; prepared desserts [pastries]; prepared desserts [chocolate based]; rice-based pudding dessert; sugars, natural sweeteners, sweet coatings and fillings, bee products; ice, ice creams, frozen yogurts and sorbets; coffee, teas and cocoa and substitutes therefor; processed grains, starches, and goods made thereof, baking preparations and yeasts; aromatic preparations for food; propolis; capers; cheeseburgers [sandwiches]; cream of tartar for culinary purposes; essences for foodstuffs, except etheric essences and essential oils; food flavourings, other than essential oils; gluten additives for culinary purposes; gluten prepared as foodstuff; ham glaze; binding agents for ice cream; linseed for culinary purposes [seasoning]; malt extract for food; maltose; meat tenderizers for household purposes; mint for confectionery; powders for making ice cream; royal jelly; sausage binding materials; sea water for cooking; preparations for stif-

fering whipped cream; sushi; thickening agents for cooking foodstuffs; wheat germ for human consumption; all aforementioned goods (if possible) also frozen or rather preserved, sterilized or homogenized.

31 – Sowing seeds; seeds for planting; fresh fruits and vegetables; garden herbs, fresh; natural plants; flowers; fresh onions; seedlings; live animals; beverages for pets; malt; live animals, agricultural and aquacultural crops, horticultural and forestry products; foodstuffs and fodder for animals; bedding and litter for animals; animal fattening preparations; aromatic sand [litter] for pets; lime for animal forage; litter peat; residue in a still after distillation; sanded paper [litter] for pets; potatoes, fresh; fresh edible mushrooms.

32 – Mineral water [beverages]; aerated water; non-alcoholic beverages; fruit drinks; juices; syrups for beverages; preparations for making beverages; beer and brewery products; non-alcoholic beverages.

33 – Alcoholic beverages (except beer); raki [traditional turkish alcoholic beverage]; whisky; liqueurs; alcoholic cocktails.

35 – Advertising; business management; business administration; clerical services; retail, wholesale and mail order services, also provided on the internet and teleshopping programs in the fields of foodstuffs, luxury items, alcoholic beverages, non-alcoholic beverages, health food shop articles, pharmacy articles, cosmetic articles, goods for the health sector, namely dietetic preparations and nutritional supplements; compilation of the aforementioned goods for others [other than transport] for demonstration purposes; demonstration of goods in communication media for retail services; import and export agency services; organization of exhibitions for commercial or advertising purposes; presentation of companies on the internet and other media; publication of printed matter [including in electronic form] for advertising purposes; direct marketing; direct advertising; preparation of advertisements; preparation of advertisements for others; radio advertising; publication of publicity texts; layout services for advertising purposes; marketing; public relations services; online advertising on a computer network; outdoor advertising; dissemination of advertising matter for others; distribution of advertising material; dissemination of advertising for others via the internet; writing of publicity texts; sales promotion for others; publication of publicity texts; advertising by mail order; distribution of advertising material [leaflets, flyers, printed matter, samples]; demonstration of goods for advertising purposes; demonstration of goods and services; arranging and conducting of advertising events; sponsorship search; promotion through sponsorship; provision of commercial and business contact information for advertising purposes; advertisement for others on the internet; rental of advertising space, also provided on the internet; auctioneering, also provided on the internet; busi-

ness management consultancy for others, also in the context of e-commerce; arranging of commercial and business contacts, also on the internet; administrative order processing; preparation of price and statistical information on industry and commerce; providing information on organizational and business management issues in the context of retail services; providing information on advertising markets; consumer consultancy; rental of vending machines; rental of sales stands; planning, arranging and conducting of measures for attracting customers and customer loyalty initiatives, in particular mailing programs, discount schemes, voucher programmes and/or incentive schemes; operation of promotional competitions and games as advertising initiatives; operation of incentive and loyalty schemes as customer loyalty initiatives for marketing purposes; attracting customers and customer care by mail order advertising; call centre services, namely service support via hotlines within the framework of administrative order processing, the receiving of customer inquiries and/or complaints by telephone; organizational consultancy via call centre; operation of a call centre, namely service support via hotlines within the framework of administrative order processing, the receiving of customer inquiries and/or complaints by telephone; clerical services with regard to the acceptance of orders in the field of logistics; electronic stock management services; rental and leasing of shop fittings, as far as included in class 35, namely shelves for storage and demonstration of goods.

40 – Treatment of base metals; precious metal treatment; photographic and cinematographic development; photocomposing, photographic printing, photogravure; food processing; food and beverage treatment; irradiating, freezing, smoking and preserving of food; provision of information in the field of food production; slaughtering; fur conditioning; saddlery working; textile treating; wool treating; tailoring services, embroidering; woodworking and wood treatment; framing of works of art; processing of fluids, chemical substances, gas and air for industrial use; polishing of glasses and optical glasses; custom assembling of materials for others; services of a dental technician; pottery firing; energy production; rental of generators; printing, printed matter, bookbinding; treatment of plastics.

43 – Services for providing food and drink and temporary accommodation; temporary accommodation reservations; day-nursery [crèche] services; nurseries and daycare facilities; animal boarding services; arranging of wedding receptions [venues]; arranging of wedding receptions [food and drink]; provision of event facilities and temporary office and meeting facilities.

(260) AM 2022 112960 A
 (800) 1590615
 (151) 2021 01 25
 (891) 2021 01 25
 (731) Individual entrepreneur Khohlov Dmitriy Leonidovich
 ul. Urzhumskaya, d. 3, korp. 4, kv. 234,
 RU-129343 Moscow, Russian Federation
 (540)

ENERWOOD

(591) Black, white
 (511)
 5 – Acaricides; aconitine; alkaloids for medical purposes; alginates for pharmaceutical purposes; algicides; aldehydes for pharmaceutical purposes; dental amalgams of gold; dental amalgams; amino acids for veterinary purposes; amino acids for medical purposes; analgesics; anaesthetics; antibiotics; antiseptics; medicine cases, portable, filled; first-aid boxes, filled; aluminium acetate for pharmaceutical purposes; acetates for pharmaceutical purposes; germicides; balms for medical purposes; bandages for dressings; diagnostic biomarker reagents for medical purposes; biocides; bracelets impregnated with insect repellent; bromine for pharmaceutical purposes; paper for mustard plasters; fly catching paper; reagent paper for veterinary purposes; reagent paper for medical purposes; mothproofing paper; petroleum jelly for medical purposes; vaccines; oxygen baths; antiseptic cotton; aseptic cotton; absorbent cotton; wadding for medical purposes; cotton for medical purposes; dietetic substances adapted for medical use; radiological contrast substances for medical purposes; nutritive substances for microorganisms; radioactive substances for medical purposes; bismuth subnitrate for pharmaceutical purposes; melissa water for pharmaceutical purposes; sea water for medicinal bathing; mineral waters for medical purposes; thermal water; dietary fiber; molding wax for dentists; gases for medical purposes; guaiacol for pharmaceutical purposes; sexual stimulant gels; hematogen; hemoglobin; hydrastine; hydrastinine; glycerine for medical purposes; glycerophosphates; glucose for medical purposes; gentian for pharmaceutical purposes; hormones for medical purposes; mustard for pharmaceutical purposes; mustard plasters; mud for baths; medicinal mud; gamboge for medical purposes; gurjun balsam for medical purposes; disinfectants; deodorants, other than for human beings or for animals; air deodorizing preparations; deodorants for clothing and textiles; diastase for medical purposes; digitalin; vitamin supplement patches; mineral food supplements; nutritional supplements; albumin dietary supplements; dietary supplements for animals; yeast dietary supplements; alginate dietary supplements; glucose dietary supplements; casein dietary supplements; lecithin dietary supplements; linseed oil dietary supplements; propolis dietary supplements; protein dietary supplements; protein supplements for animals; royal jelly dietary supplements;

pollen dietary supplements; wheat germ dietary supplements; linseed dietary supplements; acai powder dietary supplements; dietary supplements with a cosmetic effect; enzyme dietary supplements; yeast for pharmaceutical purposes; gelatine for medical purposes; cod liver oil; isotopes for medical purposes; immunostimulants; insecticides; iodine for pharmaceutical purposes; iodides for pharmaceutical purposes; alkaline iodides for pharmaceutical purposes; iodoform; calomel [fungicide]; cream of tartar for pharmaceutical purposes; tartar for pharmaceutical purposes; camphor for medical purposes; capsules for medicines; cachets for pharmaceutical purposes; capsules made of dendrimer-based polymers, for pharmaceuticals; hemostatic pencils; wart pencils; caustic pencils; carbolineum [parasiticide]; caustics for pharmaceutical purposes; cachou for pharmaceutical purposes; quassia for medical purposes; quebracho for medical purposes; oxygen for medical purposes; gallic acid for pharmaceutical purposes; acids for pharmaceutical purposes; adhesives for dentures; surgical glues; stem cells for veterinary purposes; stem cells for medical purposes; cocaine; collagen for medical purposes; colloidion for pharmaceutical purposes; corn rings for the feet; medicated sweets; angostura bark for medical purposes; barks for pharmaceutical purposes; cedar wood for use as an insect repellent; condurango bark for medical purposes; croton bark; mangrove bark for pharmaceutical purposes; myrobalan bark for pharmaceutical purposes; quinquina for medical purposes; medicated animal feed; medicinal roots; rhubarb roots for pharmaceutical purposes; lint for medical purposes; starch for dietetic or pharmaceutical purposes; creosote for pharmaceutical purposes; blood for medical purposes; cultures of microorganisms for medical or veterinary use; curare; dental lacquer; liquorice for pharmaceutical purposes; lactose for pharmaceutical purposes; medicated candies; adhesive plasters; medicines for alleviating constipation; adhesive tapes for medical purposes; lecithin for medical purposes; lotions for veterinary purposes; medicated hair lotions; lotions for pharmaceutical purposes; medicated after-shave lotions; personal sexual lubricants; lupulin for pharmaceutical purposes; magnesia for pharmaceutical purposes; liniments; frostbite salve for pharmaceutical purposes; ointments for pharmaceutical purposes; sunburn ointments; mercurial ointments; gauze for dressings; medicinal oils; mustard oil for medical purposes; camphor oil for medical purposes; castor oil for medical purposes; oil of turpentine for pharmaceutical purposes; dill oil for medical purposes; dental mastics; dental abrasives; dental impression materials; teeth filling material; dressings, medical; surgical dressings; drugs for medical purposes; medicines for veterinary purposes; serotherapeutic medicines; medicines for human purposes; medicines for dental purposes; menthol; medicinal drinks; moleskin for medical purposes; almond milk for pharmaceutical purposes; powdered milk for babies; royal jelly for

pharmaceutical purposes; milk ferments for pharmaceutical purposes; Irish moss for medical purposes; flour for pharmaceutical purposes; linseed meal for pharmaceutical purposes; fish meal for pharmaceutical purposes; fly glue; antibacterial soap; disinfectant soap; medicated soap; freeze-dried meat adapted for medical purposes; mint for pharmaceutical purposes; dietetic beverages adapted for medical purposes; malted milk beverages for medical purposes; injectable dermal fillers; narcotics; medicinal infusions; tincture of iodine; eucalyptol for pharmaceutical purposes; tinctures for medical purposes; opium; opodeldoc; decoctions for pharmaceutical purposes; antiparasitic collars for animals; cotton sticks for medical purposes; stick liquorice for pharmaceutical purposes; sulfur sticks [disinfectants]; pastilles for pharmaceutical purposes; medicated toothpaste; pectin for pharmaceutical purposes; pepsins for pharmaceutical purposes; peptones for pharmaceutical purposes; hydrogen peroxide for medical purposes; pesticides; food for babies; leeches for medical purposes; blood plasma; nicotine patches for use as aids to stop smoking; eye-patches for medical purposes; poultices; compresses; scapulars for surgical purposes; babies' diapers; diapers for pets; diapers for incontinence; breast-nursing pads; bunion pads; pomades for medical purposes; powder of cantharides; pyrethrum powder; chilblain preparations; mothproofing preparations; anti-uric preparations; bacterial preparations for medical and veterinary use; bacteriological preparations for medical and veterinary use; balsamic preparations for medical purposes; albuminous preparations for medical purposes; biological preparations for veterinary purposes; biological preparations for medical purposes; veterinary preparations; bismuth preparations for pharmaceutical purposes; vitamin preparations; diagnostic preparations for veterinary purposes; diagnostic preparations for medical purposes; douching preparations for medical purposes; bath preparations for medical purposes; therapeutic preparations for the bath; hemorrhoid preparations; preparations for callouses; lice treatment preparations [pediculicides]; acne treatment preparations; preparations to facilitate teething; preparations for the treatment of burns; fumigation preparations for medical purposes; opotherapy preparations; air purifying preparations; bronchodilating preparations; preparations for reducing sexual activity; sterilising preparations; soil-sterilising preparations; corn remedies; pharmaceutical preparations for treating dandruff; preparations for destroying noxious animals; herbicides; preparations for destroying dry rot fungus; larvae exterminating preparations; fly destroying preparations; preparations for destroying mice; slug exterminating preparations; vermin destroying preparations; pharmaceutical preparations for skin care; contact lens cleaning preparations; lime-based pharmaceutical preparations; preparations of microorganisms for medical or veterinary use; styptic preparations; medicated eye-washes; medicinal hair

growth preparations; nutraceutical preparations for therapeutic or medical purposes; opiates; anticryptogamic preparations; aloe vera preparations for pharmaceutical purposes; preparations of trace elements for human and animal use; sulfonamides [medicines]; pharmaceutical preparations; pharmaceutical preparations for treating sunburn; enzyme preparations for veterinary purposes; enzyme preparations for medical purposes; phytotherapy preparations for medical purposes; chemico-pharmaceutical preparations; chemical preparations for veterinary purposes; chemical preparations for the diagnosis of pregnancy; chemical preparations for medical purposes; chemical preparations for treating diseases affecting cereal plants; chemical preparations for treating wheat blight; chemical preparations for treating diseases affecting vine plants; chemical preparations for treating mildew; chemical preparations for treating phylloxera; chemical preparations for pharmaceutical purposes; collyrium; lead water; chemical conductors for electrocardiograph electrodes; albuminous foodstuffs for medical purposes; dietetic foods adapted for medical purposes; by-products of the processing of cereals for dietetic or medical purposes; homogenized food adapted for medical purposes; freeze-dried food adapted for medical purposes; pharmaceuticals; sanitary towels; panty liners [sanitary]; propolis for pharmaceutical purposes; pearl powder for medical purposes; radium for medical purposes; solvents for removing adhesive plasters; hydrated chloral for pharmaceutical purposes; vaginal washes for medical purposes; solutions for contact lenses; chemical reagents for medical or veterinary purposes; gum for medical purposes; rubber for dental purposes; chewing gum for medical purposes; nicotine gum for use as an aid to stop smoking; insect repellents; insect repellent incense; repellents for dogs; tissues impregnated with pharmaceutical lotions; sarsaparilla for medical purposes; sugar for medical purposes; asthmatic tea; fumigating sticks; massage candles for therapeutic purposes; suppositories; linseed for pharmaceutical purposes; tobacco-free cigarettes for medical purposes; siccatives [drying agents] for medical purposes; syrups for pharmaceutical purposes; turpentine for pharmaceutical purposes; milking grease; greases for veterinary purposes; greases for medical purposes; lacteal flour for babies; infant formula; soporifics; bicarbonate of soda for pharmaceutical purposes; mineral water salts; bath salts for medical purposes; salts for mineral water baths; salts for medical purposes; potassium salts for medical purposes; sodium salts for medical purposes; smelling salts; malt for pharmaceutical purposes; semen for artificial insemination; alcohol for pharmaceutical purposes; medicinal alcohol; alloys of precious metals for dental purposes; ergot for pharmaceutical purposes; cooling sprays for medical purposes; digestives for pharmaceutical purposes; nervines; antibacterial handwashes; adjuvants for medical purposes; astringents for medical purposes; vermifuges; di-

sinfectants for hygiene purposes; disinfectants for chemical toilets; appetite suppressants for medical purposes; medical preparations for slimming purposes; parasiticides; mouthwashes for medical purposes; febrifuges; depuratives; animal washes [insecticides]; detergents for medical purposes; cattle washes [insecticides]; dog washes [insecticides]; insecticidal veterinary washes; vesicants; purgatives; chemical contraceptives; antiparasitic preparations; remedies for perspiration; remedies for foot perspiration; sedatives; laxatives; tonics [medicines]; medicated toiletry preparations; media for bacteriological cultures; steroids; strychnine; serums; antioxidant pills; tanning pills; appetite suppressant pills; slimming pills; jujube, medicated; sanitary tampons; vulnerary sponges; thymol for pharmaceutical purposes; biological tissue cultures for veterinary purposes; biological tissue cultures for medical purposes; smoking herbs for medical purposes; medicinal herbs; transplants [living tissues]; surgical implants comprised of living tissues; babies' diaper-pants; pants, absorbent, for incontinence; sanitary panties; charcoal for pharmaceutical purposes; fennel for medical purposes; porcelain for dental prostheses; phenol for pharmaceutical purposes; enzymes for veterinary purposes; enzymes for medical purposes; ferments for pharmaceutical purposes; formic aldehyde for pharmaceutical purposes; phosphates for pharmaceutical purposes; fungicides; quinine for medical purposes; chinoline for medical purposes; diabetic bread adapted for medical use; chloroform; flowers of sulfur for pharmaceutical purposes; cement for animal hooves; bone cement for surgical and orthopaedic purposes; dental cements; medicinal tea; herbal teas for medicinal purposes; slimming tea for medical purposes; insecticidal animal shampoos; medicated shampoos; medicated shampoos for pets; pediculicidal shampoos; medicated dry shampoos; pre-filled syringes for medical purposes; eucalyptus for pharmaceutical purposes; herbal extracts for medical purposes; plant extracts for pharmaceutical purposes; tobacco extracts [insecticides]; extracts of hops for pharmaceutical purposes; elixirs [pharmaceutical preparations]; ethers for pharmaceutical purposes; esters for pharmaceutical purposes; cellulose esters for pharmaceutical purposes; cellulose ethers for pharmaceutical purposes; rat poison; poisons; bacterial poisons; jalap.

29 – Preserved peppers; aloe vera prepared for human consumption; alginates for culinary purposes; anchovy, not live; peanuts, prepared; artichokes, preserved; albumen for culinary purposes; white of eggs; beans, preserved; soya beans, preserved, for food; bouillon; ginger jam; ham; fatty substances for the manufacture of edible fats; laver, preserved; edible birds' nests; sea-cucumbers, not live; peas, preserved; mushrooms, preserved; guacamole; game, not live; gelatine; meat jellies; jellies for food; fruit jellies; yolk of eggs; coconut fat; bone oil for food; lard; suet for food; edible fats; fruit-based snack food; milk substitutes; soya

patties; tofu patties; charcuterie; cottage cheese fritters; raisins; caviar; eggplant paste; vegetable marrow paste; fish roe, processed; yogurt; sauerkraut; kefir; kimchi; isinglass for food; clams, not live; potato-based dumplings; klipfish [salted and dried cod]; milk shakes; black pudding; onion rings; arrangements of processed fruit; compotes; meat, tinned; vegetables, tinned; fish, tinned; fruits, tinned; bouillon concentrates; corn dogs; gherkins; shrimps, not live; prawns, not live; buttercream; croquettes; silkworm chrysalis for human consumption; sweet corn, processed; kumys; spiny lobsters, not live; lecithin for culinary purposes; salmon, not live; onions, preserved; margarine; marmalade; oils for food; peanut butter; cocoa butter for food; coconut oil for food; coconut butter; corn oil for food; sesame oil for food; linseed oil for food; extra virgin olive oil for food; olive oil for food; palm oil for food; palm kernel oil for food; sunflower oil for food; colza oil for food; butter; soya bean oil for food; shellfish, not live; almonds, ground; animal marrow for food; mussels, not live; milk; peanut milk; peanut milk for culinary purposes; coconut milk; coconut milk for culinary purposes; almond milk; almond milk for culinary purposes; oat milk; rice milk; rice milk for culinary purposes; condensed milk; soya milk; albumin milk; powdered milk; fish meal for human consumption; vegetable mousses; fish mousses; fruit pulp; meat; meat, preserved; freeze-dried meat; milk beverages, milk predominating; peanut milk-based beverages; coconut milk-based beverages; almond milk-based beverages; edible insects, not live; sausage casings, natural or artificial; vegetables, cooked; vegetables, preserved; freeze-dried vegetables; vegetables, dried; potato fritters; olives, preserved; lobsters, not live; flavored nuts; candied nuts; coconut, desiccated; nuts, prepared; tomato purée; pressed fruit paste; liver pâté; pectin for culinary purposes; liver; pickles; jams; powdered eggs; milk products; fish-based foodstuffs; curd; poultry, not live; bulgogi [Korean dish consisting of sliced and seasoned barbecued beef]; pollen prepared as foodstuff; cranberry compote; apple purée; crayfish, not live; crustaceans, not live; fish, preserved; fish, not live; salted fish; fermented baked milk; vegetable salads; fruit salads; bacon; sardines, not live; pork; herrings, not live; seeds, prepared; sunflower seeds, prepared; cream [dairy products]; whipped cream; vegetable-based cream; fat-containing mixtures for bread slices; smetana; vegetable juices for cooking; lemon juice for culinary purposes; tomato juice for cooking; salted meats; sausages; sausages in batter; hot dog sausages; preparations for making bouillon; preparations for making soup; nut-based spreads; tripe; soups; vegetable soup preparations; whey; cheese; tajine [prepared meat, fish or vegetable dish]; tahini; tofu; truffles, preserved; tuna, not live; oysters, not live; falafel; milk ferments for culinary purposes; rennet; fish fillets; dates; fruit preserved in alcohol; fruit, stewed; crystallized fruits; frozen fruits; fruit, preserved; hazelnuts, prepared; potato flakes;

hummus; fruit peel; preserved garlic; lentils, preserved; potato chips; low-fat potato chips; fruit chips; non-alcoholic eggnog; seaweed extracts for food; meat extracts; edible ant larvae, prepared; tofu skin; berries, preserved; eggs; snail eggs for consumption; yakitori.

30 – Vanilla flavorings for culinary purposes; flavorings, other than essential oils, for cakes; flavorings, other than essential oils, for beverages; coffee flavorings; food flavorings, other than essential oils; star aniseed; baozi; cereal bars; high-protein cereal bars; pancakes; freeze-dried dishes with the main ingredient being pasta; freeze-dried dishes with the main ingredient being rice; noodle-based prepared meals; buns; bulgur; bread rolls; edible rice paper; edible paper; burritos; vanillin [vanilla substitute]; vareniki; waffles; vermicelli; natural sweeteners; sausage binding materials; binding agents for ice cream; sea water for cooking; malt biscuits; cloves [spice]; mirror icing [mirror glaze]; cake frosting [icing]; glucose for culinary purposes; mustard; croûtons; buckwheat, processed; gluten additives for culinary purposes; yeast; thickening agents for cooking foodstuffs; leaven; rice-based snack food; cereal-based snack food; artificial coffee; vegetal preparations for use as coffee substitutes; dressings for salad; zephyr; fruit jellies [confectionery]; candy decorations for cakes; confectionery for decorating Christmas trees; cakes; pastries; peanut confectionery; almond confectionery; pasta; ground ginger; frozen yogurt [confectionery ices]; cocoa; cream of tartar for culinary purposes; capers; caramels [sweets]; curry [spice]; ketchup [sauce]; kimchi pancakes; quinoa, processed; quiches; gluten prepared as foodstuff; flour-based dumplings; sweets; liquorice [confectionery]; peppermint sweets; mints for breath freshening; dulce de leche; cinnamon [spice]; coffee; unroasted coffee; starch for food; crackers; custard; hominy grits; semolina; oatmeal; crushed barley; groats for human food; ice cubes; corn, milled; corn, roasted; meat pies; turmeric; couscous; noodles; soba noodles; udon noodles; ice for refreshment; candies; ice, natural or artificial; edible ices; rice cakes; potato-based flatbreads; mayonnaise; macarons; macaroni; maltose; hominy; piccalilli; marinades; marzipan; honey; miso; royal jelly; ice cream; bean meal; buckwheat flour; tapioca flour; potato flour; corn flour; nut flours; flour; wheat flour; soya flour; barley meal; dessert mousses [confectionery]; chocolate mousses; muesli; mint for confectionery; cocoa beverages with milk; coffee beverages with milk; coffee-based beverages; cocoa-based beverages; chamomile-based beverages; tea-based beverages; chocolate beverages with milk; chocolate-based beverages; infusions, not medicinal; crushed oats; husked oats; savory pancakes; onigiri; chocolate-coated nuts; nutmegs; stick liquorice [confectionery]; pastila [confectionery]; pastilles [confectionery]; molasses for food; pâtés en croûte; pelmeni; pepper; allspice; peppers [seasonings]; pesto; biscuits; petit-beurre biscuits; bibimbap [rice

mixed with vegetables and beef]; pies; pizzas; meat gravies; fondants [confectionery]; popcorn; powders for making ice cream; baking powder; mustard meal; pralines; condiments; meat tenderizers for household purposes; cereal preparations; oat-based food; propolis; gingerbread; spices; petits fours; puddings; rice pudding; cake powder; fruit coulis [sauces]; ravioli; ramen; chewing gum; chewing gum for breath freshening; relish [condiment]; rice; instant rice; wheat germ for human consumption; spring rolls; sago; sugar; palm sugar; sesame seeds [seasonings]; linseed for culinary purposes [seasoning]; processed seeds for use as a seasoning; aniseed; agave syrup [natural sweetener]; golden syrup; confectionery; savory pancake mixes; baking soda [bicarbonate of soda for cooking purposes]; malt for human consumption; salt for preserving foodstuffs; cooking salt; celery salt; sorbets [ices]; ham glaze; cranberry sauce [condiment]; soya sauce; tomato sauce; sauces [condiments]; pasta sauce; apple sauce [condiment]; spaghetti; seasonings; chocolate-based spreads; chocolate spreads containing nuts; preparations for stiffening whipped cream; shaved ice with sweetened red beans; rusks; breadcrumb crumbs; sushi; rice crackers; sandwiches; tabbouleh; tacos; tapioca; tarts; dough; pastry dough; almond paste; rice pulp for culinary purposes; cake dough; tortillas; garden herbs, preserved [seasonings]; chocolate decorations for cakes; vinegar; beer vinegar; ferments for pastes; halvah; bread; unleavened bread; chips [cereal products]; corn flakes; oat flakes; hot dog sandwiches; flowers or leaves for use as tea substitutes; jiaozi; chicory [coffee substitute]; tea; slimming tea; iced tea; chai tea; chutneys [condiments]; minced garlic [condiment]; cheeseburgers [sandwiches]; chowchow [condiment]; saffron [seasoning]; chocolate; malt extract for food; essences for foodstuffs, except etheric essences and essential oils; husked barley.

32 – Aperitifs, non-alcoholic; barley wine [beer]; aerated water; lithia water; seltzer water; soda water; waters [beverages]; mineral water [beverages]; table waters; kvass; cocktails, non-alcoholic; beer-based cocktails; lemonades; non-alcoholic beverages; isotonic beverages; non-alcoholic honey-based beverages; rice-based beverages, other than milk substitutes; soya-based beverages, other than milk substitutes; aloe vera drinks, non-alcoholic; whey beverages; protein-enriched sports beverages; soft drinks; soft drinks flavored with tea; non-alcoholic beverages flavored with coffee; non-alcoholic beverages flavored with tea; non-alcoholic fruit juice beverages; energy drinks; fruit nectars, non-alcoholic; orgeat; beer; ginger beer; malt beer; powders for effervescing beverages; sarsaparilla [non-alcoholic beverage]; syrups for lemonade; syrups for beverages; smoothies; vegetable juices [beverages]; fruit juices; tomato juice [beverage]; cider, non-alcoholic; non-alcoholic preparations for making beverages; preparations for making aerated water; must; grape must, unfermented; beer wort; malt wort; pastilles for effervescing beverages;

sherbets [beverages]; non-alcoholic fruit extracts; extracts of hops for making beer; non-alcoholic essences for making beverages.

35 – Arranging subscriptions to telecommunication services for others; import-export agency services; commercial information agency services; advertising agency services; cost price analysis; rental of office equipment in co-working facilities; rental of advertising space; business auditing; financial auditing; business intermediary services relating to the matching of potential private investors with entrepreneurs needing funding; employment agency services; computerized file management; book-keeping; invoicing; demonstration of goods; transcription of communications [office functions]; opinion polling; market studies; providing business information; providing commercial information and advice for consumers in the choice of products and services; business investigations; business research; marketing research; personnel recruitment; consultancy regarding advertising communication strategies; consultancy regarding public relations communication strategies; business management and organization consultancy; business organization consultancy; business management consultancy; personnel management consultancy; professional business consultancy; layout services for advertising purposes; marketing services; marketing in the framework of software publishing; targeted marketing; business management of performing artists; business management of sports people; writing of résumés for others; scriptwriting for advertising purposes; news clipping services; updating and maintenance of information in registries; updating and maintenance of data in computer databases; updating of advertising material; word processing; online retail services for downloadable and pre-recorded music and movies; online retail services for downloadable ring tones; online retail services for downloadable digital music; organization of exhibitions for commercial or advertising purposes; arranging newspaper subscriptions for others; organization of fashion shows for promotional purposes; organization of exhibitions and trade fairs for commercial or advertising purposes; shop window dressing; development of advertising concepts; business appraisals; payroll preparation; data search in computer files for others; sponsorship search; administrative assistance in responding to calls for tenders; business management assistance; commercial or industrial management assistance; commercial intermediation services; providing business information via a web site; providing commercial and business contact information; provision of an online marketplace for buyers and sellers of goods and services; web indexing for commercial or advertising purposes; presentation of goods on communication media, for retail purposes; media relations services; economic forecasting; auctioneering; wholesale services for pharmaceutical, veterinary and sanitary preparations and medical supplies; retail services for works of art provided by art

galleries; retail services for pharmaceutical, veterinary and sanitary preparations and medical supplies; sales promotion for others; promotion of goods and services through sponsorship of sports events; production of teleshopping programmes; production of advertising films; office machines and equipment rental; rental of advertising time on communication media; publicity material rental; rental of billboards [advertising boards]; rental of vending machines; rental of sales stands; rental of photocopying machine; publication of publicity texts; radio advertising; bill-posting; distribution of samples; dissemination of advertising matter; direct mail advertising; registration of written communications and data; writing of publicity texts; advertising; online advertising on a computer network; advertising by mail order; television advertising; duplication of documents; compilation of information into computer databases; compilation of statistics; business inquiries; systemization of information into computer databases; advisory services for business management; corporate communications services; negotiation of business contracts for others; negotiation and conclusion of commercial transactions for third parties; compiling indexes of information for commercial or advertising purposes; tax preparation; drawing up of statements of account; telemarketing services; psychological testing for the selection of personnel; interim business management; outsourced administrative management for companies; business management of hotels; business management for freelance service providers; business project management services for construction projects; commercial administration of the licensing of the goods and services of others; business management of reimbursement programs for others; administration of consumer loyalty programs; administration of frequent flyer programs; administrative processing of purchase orders; public relations; commercial lobbying services; competitive intelligence services; modelling for advertising or sales promotion; typing; market intelligence services; appointment reminder services [office functions]; web site traffic optimization; administrative services for the relocation of businesses; tax filing services; search engine optimization for sales promotion; appointment scheduling services [office functions]; retail or wholesale services for herbal teas for medicinal purposes, medicinal tea, non-alcoholic beverages, tea, tea-based beverages; gift registry services; price comparison services; pay per click advertising; retail services for herbal teas for medicinal purposes, medicinal tea, non-alcoholic beverages, tea, tea-based beverages, provided by means of mail order catalogs; retail services for herbal teas for medicinal purposes, medicinal tea, non-alcoholic beverages, tea, tea-based beverages, on Internet web sites or teleshopping services; secretarial services; procurement services for others [purchasing goods and services for other businesses]; shorthand; outsourcing services [business assistance]; telephone answering for unavailable sub-

scribers; photocopying services; business efficiency expert services.

(260) AM 2022 112961 A

(800) 1590633

(151) 2020 12 02

(891) 2020 12 02

(731) SIRCA S.p.A.

Viale Roma 85, I-35010 MASSANZAGO,
Frazione San Dono (PD), Italy

(540)



(591) Light blue, yellow, black, red and green

(531) 26.02; 26.02.05; 26.02.24; 27.05; 27.05.09;
27.05.10; 27.05.17; 29.01; 29.01.15

(511)

1 – Synthetic resins, unprocessed; acrylic resins, unprocessed; artificial resins, unprocessed; solvents for varnishes; organic solvents for stains, varnishes and paints; nitro-solvents for stains, varnishes and paints; glaziers' putty; mordants for metal; putties [fillers]; moulding preparations (foundry -); mould-release preparations; chemicals for the manufacture of paints; chemicals for use in industry, science and photography, as well as in agriculture, horticulture and forestry; unprocessed plastics; fire extinguishing compositions and fire prevention compositions; tempering and soldering preparations; substances for tanning animal skins and hides; adhesives used in industry; putties and other paste fillers; biological preparations for use in industry and science; drying agents for putties.

2 – Paints, varnishes, lacquers; preservatives against rust and against deterioration of wood; colorants; dyes; inks for printing, marking and engraving; raw natural resins; metals in foil and powder form for use in painting, decorating, printing and art; non insulating varnishes; pigments; protective coatings (gel coats) for composite materials of fiber glass reinforced plastics; metal surface treating agents [paints]; colored pastes; antifouling paint; non insulating anti-fouling varnishes; mordants not for metals; mordants not for metals used in the home improvement and builder's supplies sector; mordants for exterior and interior use on a variety of substrates except for metals; gum resins; wood stains; thinners for stains, lacquers, varnishes and paints; binding agents for stains; varnishes and paints; enamels (varnishes); enamels for paints; drying agents for paints; exterior surface protective coatings; penetrating sealer coatings for use on stone, concrete, wood; primers for preparing surfaces to be painted; undercoating for surfaces to be painted; paint sealers; coatings (paints); mastic [natural resin]; natu-

ral dyes; additives for paints; thickeners for paints; anti-corrosive preparations; colour bases for paints; colouring matter for plastics; synthetic resin-based paints; glass stains; polymer colours; protective coating compositions [paints]; waterproofing compositions in the nature of paint; preservatives; water based preservatives; water borne paints [other than insulating]; transparent finishes for wood; transparent finishes in the nature of paint; fixatives [varnishes]; colour formers; synthetic resin primers [paints]; coatings; decorating materials in the nature of paints; filler materials in the nature of paint; wood oils; anti-rust oils; exterior paints; interior paint; synthetic resin paints; bactericidal paints; ornamental paints; pigment preparations; protective preparations for metals; plastic priming preparations in the nature of paint; acrylic coatings [paints]; coatings used for furniture finishing; paint for use in the manufacture of furniture; wood coatings [paints]; wall coatings [paint]; interior protective finish coatings [paints]; protective acrylic coatings in the form of paints [other than for insulating purposes]; protective surface coatings for wood; interior decorative finish coatings [paints]; solvents for thinning paints; tints for surface coatings; antiquing treatments; stains for use on floors; architectural paints.

17 – Artificial, acrylic and synthetic resins (semi-finished products); insulating varnishes; insulating paints; insulating mastics; joint sealing compounds; fillers; water based insulating paints; insulating varnishes based on plastics materials; protective acrylic coatings in the form of paints for insulating purposes; insulatory coatings of plastic resin; resins in liquid form [semi-processed]; unprocessed and semi-processed rubber, gutta-percha, gum, asbestos, mica and substitutes for all these materials; plastics and resins in extruded form for use in manufacture; packing, stopping and insulating materials; flexible pipes, not of metal.

(260) AM 2022 112965 A

(800) 1590731

(151) 2021 03 19

(891) 2021 03 19

(731) Jacob & Co IP Holdings LLC

48 East 57th Street, New York,
NY 10022, USA

(540)

JACOB & CO

(591) Black, white

(511)

33 – Alcoholic beverages except beers; distilled spirits.

(260) AM 2022 112978 A

(800) 1590967

(151) 2020 11 19

(891) 2020 11 19

(731) Zakrytoe aktsionernoe obshchestvo "Myasnaya galereya"

ul. Poliny Osipenko, d. 65, of. 10, RU-600009

g. Vladimir, Russian Federation

(540)

Грилья

(591) Black, white

(531) 28.05

(511)

29 – Meat, fish, poultry and game; meat extracts; preserved, frozen, dried and cooked fruits and vegetables; jellies, jams, compotes; eggs; milk and milk products; edible oils and fats; albumen for culinary purposes; seaweed extracts for food; gelatine included in this class; anchovy, not live; peanut butter; butter; cocoa butter for food; coconut butter; buttercream; white of eggs; blood sausage; broth; preparations for making bouillon; caviar; charcuterie; potato chips; sauerkraut; coconut, desiccated; rape oil for food; broth concentrates; soups; raisins; gherkins; cream [dairy products]; cheese; frosted fruits; croquettes; crustaceans, not live; dates; crayfish, not live; fish fillets; rennet; fruit jellies; fruit pulp; fish, not live; jellies for food; meat jellies; ginger jam; soya beans, preserved, for food; fatty substances for the manufacture of edible fats; fat-containing mixtures for bread slices; herrings, not live; lobsters, not live; corn oil for food; palm kernel oil for food; sesame oil for food; oysters, not live; isinglass for food; ham; yolk of eggs; yogurt; vegetable soup preparations; vegetable juices for cooking; kefir; kumys; milk beverages, milk predominating; whey; spiny lobsters, not live; bacon; lentils, preserved; margarine; marmalade; animal marrow for food; mussels, not live; mollusks, not live; palm oil for food; nuts, prepared; powdered eggs; liver pâté; onions, preserved; olives, preserved; olive oil for food; bone oil for food; pectin for culinary purposes; pickles; peas, preserved; sausages; sardelki [sausages]; salted meats; preparations for making soup; tomato purée; vegetable salads; lard; fruit salads; sardines, not live; salmon, not live; suet for food; tuna, not live; tomato juice for cooking; sunflower oil for food; tripe; truffles, preserved; poultry, not live; breaded pieces of chicken; fruit peel; alginates for culinary purposes; almonds, ground; peanuts, prepared; mushrooms, preserved; coconut fat; coconut oil for food; beans, preserved; liver; fish-based foodstuffs; fruit chips; clams, not live; fruit preserved in alcohol; pollen prepared as foodstuff; prawns, not live; fish, preserved; meat, preserved; shrimps, not live; snail eggs for consumption; tofu; whipped cream; pork; edible birds' nests; fish, canned; fish meal for human con-

sumption; fruits, canned; meat, canned; potato fritters; salted fish; sea-cucumbers, not live; silkworm chrysalis for human consumption; vegetables, canned; sausages in batter; potato flakes; apple purée; cranberry compote; tahini; hummus; toasted laver; fruit-based snack food; curd; kimchi; soya milk; milk shakes; ajvar [preserved peppers]; sunflower seeds, prepared; fish mousses; non-alcoholic eggnog; vegetable mousses; fish roe, prepared; seeds, prepared; aloe vera prepared for human consumption; preserved garlic; protein milk; flaxseed oil for food; low-fat potato chips; lecithin for culinary purposes; milk ferments for culinary purposes; condensed milk; smetana; ryazhenka [fermented baked milk]; prostokvasha [sour milk]; tomato paste; vegetable marrow paste; eggplant paste; peanut milk for culinary purposes; almond milk for culinary purposes; rice milk; artichokes, preserved; arrangements of processed fruit; powdered milk; yakitori; bulgogi; candied nuts; flavored nuts; hazelnuts, prepared; berries, preserved; guacamole; onion rings; falafel; lemon juice for culinary purposes; freeze-dried meat; oat milk; vegetable-based cream; freeze-dried vegetables; extra virgin olive oil for food; galbi [grilled meat dish]; escamoles [edible ant larvae, prepared]; edible insects, not live; sweet corn, processed; nut-based spreads; potato-based dumplings; hot dog sausages; corn dogs; soya bean oil for food; milk substitutes; almond milk; peanut milk; coconut milk; coconut milk for culinary purposes; coconut milk-based beverages; rice milk for culinary purposes; almond milk-based beverages; peanut milk-based beverages; sausage casings, natural or artificial.

30 – Coffee; tea; cocoa; artificial coffee; rice; tapioca; sago; flour and preparations made from cereals; bread, pastry and confectionery; ice cream; sugar, honey, treacle; yeast, baking-powder; salt; mustard; vinegar, condiments; spices; ice included in this class; seaweed [condiment]; pasta; almond paste; aniseed; star aniseed; confectionery for decorating Christmas trees; infusions, not medicinal; coffee flavorings; aromatic preparations for food; seasonings; unleavened bread; salt for preserving foodstuffs; rusks; cookies; malt biscuits; peppermint sweets; sweets; waffles; buns; unroasted coffee; vegetal preparations for use as coffee substitutes; cakes; cinnamon [spice]; capers; caramels [sweets]; curry [spice]; cereal preparations; chewing gum included in this class; chicory [coffee substitute]; chocolate; marzipan; cloves [spice]; sugar confectionery; corn flakes; popcorn; preparations for stiffening whipped cream; pancakes; essences for foodstuffs, except etheric essences and essential oils; cooking salt; thickening agents for cooking foodstuffs; turmeric; natural sweeteners; gingerbread; allspice; meal; bean meal; corn flour; mustard meal; barley meal; soya flour; wheat flour; starch for food; ferments for pastes; fondants [confectionery]; petits fours; flavorings, other than essential oils, for cakes; cake powder; cake dough; ginger [spice]; binding agents for ice cream; ice, natural or artificial; ice for refreshment; glucose

for culinary purposes; gluten prepared as foodstuff; groats for human food; ketchup [sauce]; cocoa beverages with milk; coffee beverages with milk; chocolate beverages with milk; leaven; sausage binding materials; macarons; macaroni; corn, milled; corn, roasted; maltose; molasses for food; golden syrup; mint for confectionery; husked barley; nutmegs; noodles; pies; crushed barley; sandwiches; pastilles [confectionery]; pastries; petit-beurre biscuits; bread rolls; peppers [seasonings]; pizzas; pepper; potato flour; puddings; pralines; ravioli; liquorice [confectionery]; saffron [seasoning]; sauces [condiments]; celery salt; semolina; sherbets [ices]; spaghetti; tapioca flour; tarts; vanilla flavorings for culinary purposes; vanillin [vanilla substitute]; vermicelli; meat pies; pâtés en croûte; meat tenderizers for household purposes; edible ices; powders for making ice cream; almond confectionery; peanut confectionery; food flavorings, other than essential oils; flavorings, other than essential oils, for beverages; crushed oats; husked oats; oat-based food; oat flakes; oatmeal; stick liquorice [confectionery]; beer vinegar; coffee-based beverages; cocoa-based beverages; chocolate-based beverages; lollipops included in this class; chips [cereal products]; chowchow [condiment]; couscous; malt extract for food; malt for human consumption; bee glue; relish [condiment]; royal jelly; sea water for cooking; sushi; tomato sauce; mayonnaise; crackers; custard; fruit jellies [confectionery]; muesli; rice cakes; soya sauce; frozen yogurt [confectionery ices]; chutneys [condiments]; spring rolls; tacos; tortillas; iced tea; tea-based beverages; dressings for salad; breadcrumbs; tabbouleh; halvah; quiches; meat gravies; miso; cereal-based snack food; rice-based snack food; hominy; hominy grits; baking soda [bicarbonate of soda for cooking purposes]; garden herbs, preserved [seasonings]; noodle-based prepared meals; cake frosting [icing]; chocolate mousses; dessert mousses [confectionery]; fruit coulis [sauces]; marinades; cheeseburgers [sandwiches]; pesto; ham glaze; flaxseed for culinary purposes [seasoning]; wheat germ for human consumption; high-protein cereal bars; cream of tartar for culinary purposes; gluten additives for culinary purposes; pasta sauce; cereal bars; palm sugar; dough; flowers or leaves for use as tea substitutes; pastry dough; vareniki [stuffed dumplings]; pelmeni [dumplings stuffed with meat] including khinkali, manti; chocolate decorations for cakes; candy decorations for cakes; chocolate-coated nuts; rice pudding; nut flours; minced garlic [condiment]; baozi; rice pulp for culinary purposes; jiaozi; ramen; okonomiyaki [Japanese savory pancakes]; batter mixes for okonomiyaki [Japanese savory pancakes]; burritos; prepared rice rolled in seaweed; edible paper; edible rice paper; chocolate-based spreads; chocolate spreads containing nuts; flour-based dumplings; agave syrup [natural sweetener]; mirror icing [mirror glaze]; freeze-dried dishes with the main ingredient being rice; freeze-dried dishes with the main ingredient being pasta; chamomile-ba-

sed beverages; dulce de leche; bibimbap [rice mixed with vegetables and beef]; onigiri; instant rice; hot dog sandwiches; ice cubes; processed seeds for use as a seasoning; sesame seeds [seasonings]; piccalilli.

43 – Services for providing food and drink; temporary accommodation; accommodation bureau services [hotels, boarding houses]; food and drink catering; retirement home services; café services; cafeteria services; providing campground facilities; canteen services; rental of temporary accommodation; boarding house services; tourist home services; hotel services; day-nursery [crèche] services; restaurant services; boarding house bookings; hotel reservations; self-service restaurant services; snack-bar services; boarding for animals; bar services; holiday camp services [lodging]; rental of transportable buildings; temporary accommodation reservations; motel services; rental of chairs, tables, table linen, glassware; rental of meeting rooms; rental of tents; rental of cooking apparatus; rental of drinking water dispensers; rental of lighting apparatus; food sculpting; reception services for temporary accommodation [management of arrivals and departures]; washoku restaurant services.

(260) AM 2022 112980 A

(800) 1591006

(151) 2021 02 04

(891) 2021 02 04

(731) Zhejiang Yige Enterprise Management Group Co., Ltd.
Unit 8, 6/F, Building 5, 2 Kejiyuan Road,
Baiyang Sub-district, Hangzhou Economic &
Technological Development Area, Jianggan
District, Hangzhou, Zhejiang, China

(540)

hua xi zi

(591) Black, white

(511)

3 – Lip glosses; beauty masks; toilet water; cleansing milk for toilet purposes; rose oil for cosmetic purpose; cosmetic kits comprising non-medicated cosmetics; eyebrow pencils; eyeshadow; lipsticks; blusher.

(260) AM 2022 112981 A

(800) 1591023

(151) 2021 03 10

(891) 2021 03 10

(731) Mutares SE & Co. KGaA
Arnulfstraße 19, 80335 München, Germany

(540)

Mutares

(591) Black, white

(511)

35 – Business consultancy and advisory services; business administration; business strategy development

services; business acquisitions consultation; business auditing; conducting of business appraisals; business assistance, management and administrative services.

36 – Equity financing; finance services; real estate affairs; provision of finance for enterprises; financial management for businesses; consultancy services relating to corporate finance; financial planning services; financial appraisal services; financial portfolio management.

45 – Legal services.

(260) AM 2022 112984 A

(800) 1591093

(151) 2021 03 18

(891) 2021 03 18

(731) Huvepharma EOOD
5th floor, "A" Nikolay Haitov Str 3, BG-1113
Sofia, Bulgaria

(540)

AVIAPP

(591) Black, white

(511)

9 – Recorded computer software for monitoring and optimisation of zoo technical parameters in bird rearing.

(260) AM 2022 112985 A

(800) 1591137

(151) 2020 12 04

(891) 2020 12 04

(731) ESSA Elevator Co., Ltd.
Building C2, No. 10, Lianhe Road, North
District, Liangan Village, Hudai Town, Binhu
District, Wuxi City, 214000 Jiangsu Province,
China

(540)

EYSAR

(591) Black, white

(531) 27.05.01

(511)

7 – Lift belt; lifting equipment; elevator operating device; capstans; lifting equipment for transporting people and goods; lifts, other than ski-lifts; hoist; elevator; magnetic lifting machines; rack and pinion jack.

(260) AM 2022 112986 A

(800) 1591172

(151) 2021 03 24

(891) 2021 03 24

(731) GuangDong OPPO Mobile
Telecommunications Corp., Ltd.
No.18 Haibin Road, Wusha, Chang'an,
Dongguan, Guangdong, China

(540)

HeyMelody

(591) Black, white

(531) 27.05.01

(511)

9 – Computer programs, downloadable; computer software, recorded; smartphone software applications, downloadable; computer software for controlling the operation of audio and video devices; software to control and improve audio equipment sound quality; cell phones; earphones; cabinets for loudspeakers.

(260) AM 2022 113062 A

(800) 1591980

(151) 2021 03 19

(891) 2021 03 19

(731) Jacob & Co IP Holdings LLC
48 East 57th Street, New York,
NY 10022, USA

(540)

(591) Black, white

(531) 27.05.01; 27.05.22

(511)

33 – Alcoholic beverages except beers; distilled spirits.

(260) AM 2022 113069 A

(800) 1592126

(151) 2021 03 19

(891) 2021 03 19

(731) Jacob & Co IP Holdings LLC
48 East 57th Street, New York,
NY 10022, USA

(540)

JACOB & CO

(591) Black, white

(531) 24.17.25; 27.05.01

(511)

33 – Alcoholic beverages except beers; distilled spirits.

(260) AM 2022 113071 A

(800) 1592204

(151) 2021 04 26

(891) 2021 04 26

(731) "MY REPUBLIC" Ltd.

Pohodniy proezd, building 14, lev/place/room
5/II/№5, RU-125373 Moscow, Russian
Federation

(540)

(591) Black and orange

(531) 24.17.01; 27.05.01; 29.01.12

(511)

17 – Plastic fibers, other than for textile use; carbon fibers, other than for textile use; vulcanized fiber; foam supports for flower arrangements [semi-finished products]; liquid rubber; synthetic rubber; rubber, raw or semi-worked; water-tight rings; latex [rubber]; duct tapes; self-adhesive tapes, other than stationery and not for medical or household purposes; asbestos sheets; padding materials of rubber or plastics; packing [cushioning, stuffing] materials of rubber or plastics; bags [envelopes, pouches] of rubber, for packaging; plastic filaments for 3D printing; elastic threads, other than for textile use; window stops of rubber; plastic sheeting for agricultural purposes; plastic film, other than for wrapping; rubber stoppers; rubber solutions; acrylic resins, semi-processed; synthetic resins, semi-processed; pipe couplings, not of metal; flexible hoses, not of metal; rubber seals for jars; ebonite molds; watering hose; ebonite; threads of plastic materials, other than for textile use; plastic substances, semi-processed.

20 – Pulleys of plastics for blinds; bolts, not of metal; mooring buoys, not of metal; casks, not of metal; barrels, not of metal; sideboards; busts of wood, wax, plaster or plastic; valet stands; coatstands; shoulder poles [yokes]; screws, not of metal; signboards of wood or plastics; nuts, not of metal; doors for furniture; door closers, not of metal, non-electric; kennels for household pets; birdhouses; keyboards for hanging keys; display boards; plugs [dowels], not of metal; containers, not of metal, for liquid fuel; troughs, not of metal, for mixing mortar; oil drainage containers, not of metal; packaging containers of plastic; clips, not of metal, for cables and pipes; binding screws, not of metal, for cables; clips of plastic for sealing bags; rivets, not of metal; padlocks, other than electronic, not of metal; locks, other than electric, not of metal; door bolts, not of metal; bottle closures, not of metal; closures, not of metal, for containers; latches, not of metal; registration plates, not of metal; works of art of wood, wax, plaster or plastic; jerrycans, not of metal;

index cabinets [furniture]; staves of wood; plastic keys; plastic key cards, not encoded and not magnetic; bed casters, not of metal; furniture casters, not of metal; door bells, not of metal, non-electric; cradles; tent pegs, not of metal; curtain rings; containers, not of metal [storage, transport]; floating containers, not of metal; baskets, not of metal; tool boxes, not of metal, empty; cots for babies; edgings of plastic for furniture; brackets, not of metal, for furniture; screw tops, not of metal, for bottles; table tops; sash fasteners, not of metal, for windows; hooks, not of metal, for clothes rails; curtain hooks; clothes hooks, not of metal; bag hangers, not of metal; beds for household pets; ladders of wood or plastics; playpens for babies; mannequins; curtain rails; runners, not of metal, for sliding doors; legs for furniture; feet for furniture; house numbers, not of metal, non-luminous; barrel hoops, not of metal; door stops, not of metal or rubber; window stops, not of metal or rubber; stakes, not of metal, for plants or trees; magazine racks; stands for calculating machines; pillows; cushions; racks [furniture]; library shelves; shelves for file cabinets; furniture shelves; shelves for storage; hat stands; bathtub grab bars, not of metal; cask stands, not of metal; corks for bottles; sealing caps, not of metal; tanks, not of metal nor of masonry; door handles, not of metal; knobs, not of metal; bath seats for babies; benches [furniture]; vats, not of metal; bungs, not of metal; statues of wood, wax, plaster or plastic; umbrella stands; gun racks; carts for computers [furniture]; lap desks; dressing tables; washstands [furniture]; portable desks; steps [ladders], not of metal; high chairs for babies; shower chairs; chests, not of metal; placards of wood or plastics; stools; footstools; decorations of plastic for foodstuffs; door fasteners, not of metal; window fasteners, not of metal; bed fittings, not of metal; furniture fittings, not of metal; screens [furniture]; screens for fireplaces [furniture]; labels of plastic; lockers; drawers for furniture; chests for toys; tool chests, not of metal, empty; boxes of wood or plastic; bottle racks; towel dispensers, fixed, not of metal; bottle caps, not of metal; trays, not of metal; book rests [furniture]; flower-pot pedestals; identity plates, not of metal; figurines of wood, wax, plaster or plastic; letter boxes, not of metal or masonry.

21 – Indoor aquaria; buckets; china ornaments; dishes; vegetable dishes; saucers; mugs; boxes for sweets; bottles; demijohns; vases; epergnes; fruit bowls; bird baths; baby baths, portable; plungers for clearing blocked drains; waffle irons, non-electric; coolers [ice pails]; buckets made of woven fabrics; whisks, non-electric, for household purposes; cooking skewers of metal; towel rails and rings; hair for brushes; funnels; carpet beaters [hand instruments]; signboards of porcelain or glass; candle extinguishers; flower pots; chamber pots; glue-pots; cruets; decanters; large-toothed combs for the hair; combs for animals; tea cosies; abrasive sponges for scrubbing the skin; sponges for

household purposes; toilet sponges; sponge holders; toothpick holders; soap holders; holders for flowers and plants [flower arranging]; shaving brush stands; toilet paper holders; soap dispensers; ironing boards; cutting boards for the kitchen; bread boards; washing boards; smoke absorbers for household purposes; containers for household or kitchen use; kitchen containers; heat-insulated containers; heat-insulated containers for beverages; thermally insulated containers for food; glass flasks [containers]; closures for pot lids; chamois leather for cleaning; toothpicks; ceramics for household purposes; majolica; cleaning instruments, hand-operated; cabarets [trays]; stew-pans; covers, not of paper, for flower pots; shaving brushes; cages for household pets; baking mats; polishing leather; hot pots, not electrically heated; glass bulbs [receptacles]; napkin rings; poultry rings; rings for birds; coin banks; bread baskets for household purposes; baskets for household purposes; waste paper baskets; feeding troughs; mangers for animals; tea caddies; washtubs; earthenware saucepans; cauldrons; coffee percolators, non-electric; coffeepots, non-electric; coffee grinders, hand-operated; fused silica [semi-worked product], other than for building; beer mugs; tankards; rat traps; pot lids; aquarium hoods; butter-dish covers; dish covers; cheese-dish covers; buttonhooks; pitchers; perfume burners; watering cans; insect traps; mixing spoons [kitchen utensils]; pie servers; butter dishes; material for brush-making; polishing materials for making shiny, except preparations, paper and stone; noodle machines, hand-operated; polishing apparatus and machines, for household purposes, non-electric; pepper mills, hand-operated; mills for household purposes, hand-operated; feather-dusters; brooms; isothermic bags; confectioners' decorating bags [pastry bags]; bowls [basins]; mosaics of glass, not for building; saucepan scourers of metal; soap boxes; mouse traps; cooking pot sets; nozzles for watering cans; pouring spouts; nozzles for watering hose; fitted picnic baskets, including dishes; toilet cases; floss for dental purposes; fiberglass thread, other than for textile use; cookie [biscuit] cutters; pastry cutters; sprinklers; syringes for watering flowers and plants; cotton waste for cleaning; wool waste for cleaning; cleaning tow; chopsticks; cocktail stirrers; pepper pots; gloves for household purposes; polishing gloves; gardening gloves; plates to prevent milk boiling over; trays for household purposes; trays of paper, for household purposes; lazy susans; heaters for feeding bottles, non-electric; candelabra [candlesticks]; trivets [table utensils]; menu card holders; knife rests for the table; flat-iron stands; egg cups; grill supports; abrasive pads for kitchen purposes; scouring pads; drinking troughs; pottery; pots; cooking pots; painted glassware; tableware, other than knives, forks and spoons; porcelain ware; earthenware; crystal [glassware]; cosmetic utensils; toilet utensils; trouser presses; cruet sets for oil and vinegar; make-up removing appliances; spice sets; apparatus for wax-polishing, non-elec-

tric; glove stretchers; boot jacks; crumb trays; tie presses; clothes-pegs; glass stoppers; perfume vaporizers; powder puffs; dusting apparatus, non-electric; toilet paper dispensers; combs; electric combs; grills [cooking utensils]; sifters [household utensils]; drinking horns; shoe horns; candle drip rings; salad bowls; sugar bowls; beaters, non-electric; services [dishes]; coffee services [tableware]; liqueur sets; tea services [tableware]; sieves [household utensils]; cinder sifters [household utensils]; tea strainers; siphon bottles for carbonated water; rolling pins, domestic; steel wool for cleaning; currycombs; blenders, non-electric, for household purposes; fruit presses, non-electric, for household purposes; drinking straws; salt cellars; drinking vessels; vessels of metal for making ices and iced drinks; refrigerating bottles; cups of paper or plastic; glasses [receptacles]; drinking glasses; glass for vehicle windows [semi-finished product]; plate glass [raw material]; opal glass; opaline glass; glass incorporating fine electrical conductors; glass, unworked or semi-worked, except building glass; glass wool, other than for insulation; vitreous silica fibers, other than for textile use; fiberglass, other than for insulation or textile use; soup bowls; drying racks for laundry; basins [receptacles]; table plates; disposable table plates; insulating flasks; indoor terrariums [plant cultivation]; indoor terrariums [vivariums]; cloth for washing floors; cloths for cleaning; dusting cloths [rags]; furniture dusters; aerosol dispensers, not for medical purposes; wax-polishing appliances, non-electric, for shoes; water apparatus for cleaning teeth and gums; electric devices for attracting and killing insects; watering devices; utensils for household purposes; kitchen utensils; cooking utensils, non-electric; coffee filters, non-electric; flasks; molds [kitchen utensils]; cake moulds; ice cube molds; cookery moulds; deep fryers, non-electric; comb cases; bread bins; fly swatters; teapots; kettles, non-electric; cups; garlic presses [kitchen utensils]; ironing board covers, shaped; tea infusers; mops; mop wringers; animal bristles [brushware]; dishwashing brushes; brushes for cleaning tanks and containers; lamp-glass brushes; horse brushes; scrubbing brushes; toothbrushes; toothbrushes, electric; carpet sweepers; shoe brushes; tar-brushes, long handled; toilet brushes; electric brushes, except parts of machines; brushes; eyebrow brushes; nail brushes; nest eggs, artificial; boxes for dispensing paper towels; dustbins; window-boxes; boxes of glass; pressure cookers, non-electric; busts of porcelain, ceramic, earthenware, terra-cotta or glass; clothing stretchers; birdcages; deodorizing apparatus for personal use; glass jars [carboys]; frying pans; works of art of porcelain, ceramic, earthenware, terra-cotta or glass; kitchen grinders, non-electric; strainers for household purposes; shoe trees; cookie jars; mess-tins; basting spoons [cooking utensils]; cocktail shakers; powder compacts, empty; bottle openers, electric and non-electric; coasters, not of paper or textile; paper plates; wine-tasting pipettes; statues of porcelain,

ceramic, earthenware, terra-cotta or glass; figurines of porcelain, ceramic, earthenware, terra-cotta or glass; enamelled glass, not for building; litter boxes for pets; hip flasks; decorative glass spheres; corkscrews, electric and non-electric; pig bristles for brush-making.

(260) AM 2022 113072 A

(800) 1592208

(151) 2021 02 26

(891) 2021 02 26

(731) Boguslavskaya Karina Irekovna

ul. Bogataya, 1, d. Matyushino, Laishevsky
municipal district, RU-422624 Republic of
Tatarstan, Russian Federation

(540)



(591) Black, white

(531) 26.11.08; 26.11.13; 27.05.10; 27.05.11

(511)

44 – Health centre services; hair implantation; medical clinic services; consultancy relating to hair and scalp health; pharmacy advice; hospital services; medical assistance; beauty salon services; sanatorium services; nursing, medical; beauty care services provided by salons; health and beauty centre services; physiotherapy; plastic surgery.

(260) AM 2022 113073 A

(800) 1592216

(151) 2020 11 18

(891) 2020 11 18

(731) ThisCompany Limited

8 Percy Street, London W1T 1DJ,
United Kingdom

(540)



(591) Black, white

(531) 24.13.01; 24.17.05; 26.11.08; 27.05.01

(511)

3 – Preparations for applications to the skin, scalp, hair or nails; body and beauty preparations for men and women; preparations for the hair; perfumes; perfumed products; eau de toilette; eau de parfum; eau de cologne; bath and shower gels and salts not for medical purposes; bath additives; essential oils; skin care preparations; facial masks, peels and packs; beauty

masks; nailcare preparations; soaps; talcum powder; deodorants for personal use; anti-perspirant preparations; cosmetics; cosmetic creams, milks, lotions, gels and powders for the face, body and hands; sun-tanning and sun protection milks, gels and oils and after-sun preparations (cosmetics); make-up preparations; shampoos; hair conditioners; gels, mousses, oils, lotions, balms and preparations all for cosmetics purposes; non-medicated massage preparations; shaving preparations; scented articles all for perfumery use; powder impregnated paper for cosmetic use; abrasives for personal use; make up removal products; nail care preparations; bleaching preparations and other substances for laundry use.

4 – Candles; scented candles; perfumed candles; perfumed combustible oils.

16 – Printed matter, paper, cardboard and goods made from these materials, not included in other classes; swing tags; labels; catalogues; magazines; journals; periodicals; manuals; newspapers; posters; point of sale marketing materials made from paper or cardboard; address books; organisers; photographs; stationery; instructional and teaching materials (except apparatus); greetings cards; books; calendars; publications; comics; cartoons; albums; scrap books; gift wrap; plastic bags; paper bags; stickers and sticker albums; cases, bags, wallets, all of either paper, carrying cases, cardboard; purpose bags made of paper, cardboard or plastic; plastic materials for packaging (not included in other classes).

(260) AM 2022 113075 A

(800) 1592234

(151) 2020 12 03

(891) 2020 12 03

(731) BEIJING JINGDONG 360 DU

E-COMMERCE LTD.

Room 222, Floor 2, Building C, No. 18,

Kechuang 11 Street, Beijing Economic and

Technological Development Zone, Beijing,

China

(540)

JADI

(591) Black, white

(531) 27.05.17

(511)

9 – Downloadable application software for cell phones; computer programs, downloadable; computer peripheral devices; computer keyboards; mouse [computer peripheral]; humanoid robots with artificial intelligence; electronic agendas; apparatus to check franking; counterfeit coin detectors; automated teller machine [ATM]; dictating machines; holograms; hemline markers; voting machines; electronic random number indicator equipment [ernie]; face recognition equipment; punched card machines for offices; bathroom

scales; measures; electronic notice boards; network communication equipment; network routers; radar apparatus; Global Positioning System [GPS] apparatus; virtual reality headsets; headsets; loudspeakers; cameras [photography]; measuring apparatus; optical apparatus and instruments; materials for electricity mains [wires, cables]; semi-conductors; chips [integrated circuits]; time switches, automatic; video screens; remote control apparatus; optical fibers [light conducting filaments]; sensors; electric installations for the remote control of industrial operations; lightning rods; electrolyzers; fire extinguishers; radiological apparatus for industrial purposes; protection devices for personal use against accidents; theft prevention installations, electric; eyeglasses; battery chargers; charging appliances for rechargeable equipment; animated cartoons; egg-candlers; dog whistles; decorative magnets; electrified fences; electronic collars to train animals; sports whistles; portable remote control stopper apparatus for reducing the speed of cars; fridge magnets.

35 – Advertising; demonstration of goods; presentation of goods on communication media, for retail purposes; business consultancy, in the field of transport and delivery; providing business information via a web site; consumer analysis for business and marketing purposes; sales promotion for others; procurement services for others [purchasing goods and services for other businesses]; providing online marketplaces for buyers and sellers of goods and services; personnel management consultancy; administrative services for the relocation of businesses; updating and maintenance of data in computer databases; drawing up of statements of accounts; rental of vending machines; sponsorship search; rental of sales stands; retail services for pharmaceutical, veterinary and sanitary preparations and medical supplies.

36 – Providing insurance information; insurance underwriting; financial management; providing financial information via a web site; financing and loan services; financial evaluation [insurance, banking, real estate]; jewelry appraisal; real estate management; real estate agency services; apartment house management; commercial housing sales; financial customs brokerage services; surety services; charitable fund raising; trusteeship; lending against security.

39 – Transport; transportation logistics; packaging of goods; piloting; hauling; marine transport; car transport; replenishment of vending machines; air transport; piloting of civilian drones; garage rental; horse rental; storage of goods; rental of diving suits; distribution of energy; operating canal locks; courier services; travel reservation; transport by pipeline; rental of wheelchairs; launching of satellites for others; bottling services.

42 – Research and development of new products; quality control; surveying; chemical research; biological

research; meteorological information; material testing; packaging design; architectural services; dress designing; computer software design; consultancy in the design and development of computer hardware; creating and maintaining web sites for others; cloud computing; electronic data storage; platform as a service [PaaS]; internet security consultancy; authenticating works of art; graphic arts design; cloud seeding; handwriting analysis [graphology]; cartography services; graphic design of promotional materials; weighing freight for others; rental of meters for the recording of energy consumption.

(260) AM 2022 113078 A

(800) 1592377

(151) 2021 03 03

(891) 2021 03 03

(731) BIOFARMA

50 rue Carnot, F-92284 SURESNES CEDEX,
France

(540)

КВАДРИКСАМ

(591) Black, white

(531) 28.05

(511)

5 – Pharmaceutical products; medical preparations; veterinary preparations; hygienic products for medical purposes; dietetic substances and foodstuffs for medical or veterinary use, food for babies; food supplements for humans and animals; plasters, materials for dressings; material for dental fillings and dental impressions; disinfectants; products for destroying vermin; fungicides, herbicides.

(260) AM 2022 113093 A

(800) 1562010

(151) 2020 10 20

(891) 2021 04 26

(731) SHOKZ HOLDING LIMITED

RM 2603A 26/F TOWER 1 LIPPO CTR, 89
QUEENSWAY ADMIRALTY, Hong Kong,
China

(540)

openultra

(591) Black, white

(511)

9 – Batteries; battery chargers; chargers for batteries; earphones; electronic memories; headphones; horns for loudspeakers; lithium ion batteries; megaphones; memory modules; microphones; smart glasses; spectacles; virtual reality headsets; wireless speakers; MP3 players.

(260) AM 2022 113287 A

(800) 1593911

(151) 2021 03 02

(891) 2021 03 02

(731) PT. ROYAL PESONA INDONESIA

Green Lake City Rukan Crown Blok RKAB
No.7, Kel Petir, Kec. Cipondoh, Kota
Tangerang, Banten, 15147, Indonesia

(540)

S SOMETHINC

(591) Black and white

(531) 27.05.01

(511)

3 – Compact powder for the face; blush; eye shadows; beauty serums (cosmetics); eau de parfum; cosmetic face powder; body lotions for cosmetic purposes; false eyelashes; concealers [cosmetics]; cosmetic kits; make-up kits; make-up kits consisting principally of foundations, mascaras, blushes, glosses and lipsticks [not including brushes and sponges]; cosmetics; face creams; lipsticks; make-up powder; cleaners for cosmetic brushes; adhesives for affixing false eyelashes; cosmetic soap; cosmetic preparations for eyelashes; non-medicated hair treatment preparations for cosmetic purposes; cosmetic facial toners.

(260) AM 2022 113445 A

(800) 1595578

(151) 2021 03 31

(891) 2021 03 31

(731) Yiwu Jihong Electric Appliance Co. LTD.

Dongyuan Characteristic, Industrial
Community, Jiangdong Street, Yiwu, Zhejiang,
China

(540)

LENROOD

(591) Black, white

(531) 27.05.01

(511)

11 – Lights for automobiles; light bulbs, electric; cooking utensils, electric; refrigerators; extractor hoods for kitchens; hair dryer; fireplaces, domestic; bathroom heater; drinking water dispensers; hot-water bag.

(260) AM 2022 113446 A

(800) 1595610

(151) 2021 02 04

(891) 2021 02 04

(731) Tovarystvo z obmezhenoiu vidpovidnistiou

"CHUTIVSKYI MOLOCHNYI KOMBINAT"
vul. Zavodska, 9, smt Chutove, Chutivskyyi r-n,
Poltavska obl. 38800, Ukraine

(540)

ПОЛТАВОЧКА

(591) Red

(531) 28.05; 29.01.01

(511)

29 – Alginates for culinary purposes; anchovy, not live; peanuts, prepared; peanut butter; bacon; albumin milk; textured vegetable protein for use as a meat extender; white of eggs; beans, preserved; bouillon; preparations for making bouillon; bouillon concentrates; compotes; whipped cream; cream [dairy products]; seaweed extracts for food; laver, preserved; nuts, prepared; peas, preserved; mushrooms, preserved; hummus [chickpea paste]; potato fritters; jams; game, not live; gelatine; meat jellies; jellies for food; bone oil for food; coconut fat, lard; suet for food; fatty substances for the manufacture of edible fats; fat-containing mixtures for bread slices; yolk of eggs; fruit-based snack food; frozen fruits; salted fish; raisins; caviar; ginger jam; yogurt; cocoa butter for food; sauerkraut; potato flakes; potato chips; kimchi; kephir; curd; animal marrow for food; isinglass for food; clams, not live; charcuterie; coconut oil for food; coconut butter; coconut, desiccated; shrimps, not live; prawns, not live; fruit chips; black pudding; croquettes; corn oil for food; koumiss; sesame oil for food; spiny lobsters, not live; salmon, not live; margarine; marmalade; butter; butter containing chocolate, butter predominating; buttercream; almonds, ground; mussels, not live; milk; milk beverages, milk predominating; milk products; molluscs, not live; sea-cucumbers, not live; fruit pulp; meat extracts; meat, tinned; meat; meat, preserved; salted meats; vegetables, tinned; vegetable salads; vegetable juices for cooking; vegetable soups preparations; vegetables, preserved; vegetables, cooked; vegetables, dried; gherkins; olives, preserved; olive oil for food; lobsters, not live; herrings, not live; palm oil for food; palm kernel oil for food; liver pastes; pectin for culinary purposes; liver; pollen prepared as foodstuff; crystallized fruits; powdered eggs; goat's milk cheese; poultry, not live; crayfish, not live; crustaceans, not live; fish, preserved; fish, not live; fish meal for human consumption; fish fillets; fish, tinned; foods made from fish; rape oil for food; ryazhenka [fermented baked milk]; fruit salads; sardines, not live; pork; cheese; cheese substitutes; whey; rennet; snail eggs for consumption; soya milk; tofu; soya beans, preserved, for food; corned beef; pickles; sunflower oil for food; sausages; sausages in batter; lentils, preserved; nut-based spreads; vegetable-based spreads; soups; preparations for making soup; salmon; tahini; tripe; tomato paste; tomato juice for cooking; truffles, preserved; tuna, not live; oysters, not live; dates; fruit, preserved; fruit preserved in alcohol; fruit peel; fruit jellies; fruit, stewed; fruits, tinned; edible fats, oils for food; edible birds' nests; onions, preserved; ham; silkworm chrysalis for human consumption; apple puree; eggs.

(260) AM 2022 113447 A

(800) 1595614

(151) 2021 03 15

(891) 2021 03 15

(731) AFLOFARM Farmacja Polska Sp. z o.o.
ul. Partyzancka 133/151, PL-95-200 Pabianice,
Poland

(540)

melabiorytm

(591) Black, white

(511)

5 – Pharmaceutical products, sanitary preparations for medical purposes; dietetic substances for medical purposes; dietary supplements; dietetic foods adapted for medical purposes; baby food; medicinal herbs, herbal extracts for medicinal purposes; pharmaceutical preparations for medicinal purposes in the form of tablets, capsules, lozenges, liquids, powders, foams, aerosols.

(260) AM 2022 113448 A

(800) 1595686

(151) 2021 03 18

(891) 2021 03 18

(731) Voitovych Vitalii Tarasovych
vul. Ivana Mazepy, 82, m. Vasylkiv; Kyivska
obl. 08601, Ukraine

(540)

The logo for 'MR GRILL' features the word 'MR' in a small, bold, sans-serif font above the word 'GRILL'. 'GRILL' is written in a large, bold, stylized font with a thick, black outline and a slight slant to the right. The letters are interconnected, giving it a dynamic and modern appearance.

(591) Black, white

(531) 27.05.01

(511)

29 – Peppers, prepared; aloe vera prepared for human consumption; alginates for culinary purposes; anchovy, not live; peanuts, prepared; peanut butter; peanut milk; peanut milk for culinary purposes; artichokes, preserved; albumen for culinary purposes; white of eggs; beans, preserved; bulgogi (Korean beef dish); broth; broth concentrates; compotes; cream [dairy products]; potato-based dumplings; oat milk; laver, preserved; sea-cucumbers, not live; flavoured nuts; nuts, prepared; peas, preserved; mushrooms, preserved; guacamole [mashed avocado]; potato fritters; jams; game, not live; non-alcoholic eggnog; seaweed extracts for food; escamoles [prepared edible ant larvae]; gelatine; meat jellies; jellies for food; bone oil for food; lard; suet for food; fatty substances for the manufacture of edible fats; yolk of eggs; cranberry compote; fruit-based snack food; milk substitutes; frozen fruits; salted fish; candied nuts; whipped cream; condensed milk; aubergine paste; vegetable marrow

paste; fish roe, prepared; ginger jam; edible insects, not live; yogurt; galbi [grilled meat dish]; sauerkraut; potato flakes; kephir; soured milk; onion rings; kimchi [fermented vegetable dish]; clams, not live; klipfish [salted and dried cod]; charcuterie; coconut oil for food; coconut butter; coconut milk; coconut milk for culinary purposes; coconut fat; coconut, desiccated; milk shakes; arrangements of processed fruit; corn dogs; gherkins; tofu patties; shrimps, not live; prawns, not live; vegetable-based cream; blood sausage; croquettes; sweet corn, processed; maize oil for food; koumiss [milk beverage]; sesame oil for food; spiny lobsters, not live; lecithin for culinary purposes; lemon juice for culinary purposes; silkworm chrysalis for human consumption; margarine; butter; cocoa butter for food; buttercream; almond milk; almond milk for culinary purposes; almonds, ground; mussels, not live; milk; powdered milk; milk beverages, milk predominating; milk products; vegetable mousses; fish mousses; meat extracts; meat, tinned; meat, preserved; peanut milk-based beverages; coconut milk-based beverages; almond milk-based beverages; seeds, prepared; sunflower seeds, prepared; sausage casings, natural or artificial; vegetables, tinned; vegetable salads; vegetable juices for cooking; vegetables, preserved; cooked vegetables; vegetables, dried; olives, preserved; olive oil for food; extra virgin olive oil for food; linseed oil for food; lobsters, not live; herrings, not live; palm oil for food; palm kernel oil for food; liver pâté; pectin for culinary purposes; liver; pollen prepared as foodstuff; pickles; marmalade; vegetable soup preparations; goat milk-based yogurt; poultry, not live; crayfish, not live; crustaceans, not live; fish, preserved; fish, not live; salmon, not live; fish meal for human consumption; fish fillets; fish, tinned; isinglass for food; rice milk; rice milk for culinary purposes; raisins; fermented milk; bacon; sardines, not live; pork; cheese; cottage cheese fritters; whey; rennet; preparations for making bouillon; sour cream; soya bean oil for food; soya milk; preserved soybeans for food; soya patties; salted meats; sunflower oil for food; sausages; hot dog sausages; sausages in batter; lentils, preserved; nut-based spreads; canned meat; canned vegetables; preparations for making soup; fats for food; soups; sesame milk; tajine [prepared meat, fish or vegetable dish]; animal marrow for food; tripe; tomato paste; tomato purée; tomato juice for cooking; tofu; truffles, preserved; tuna, not live; oysters, not live; falafel; milk ferments for culinary purposes; dates; fruit, preserved; fruit, stewed; fruit preserved in alcohol; fruit peel; pressed fruit paste; fruit pulp; fruit jellies; fruits, tinned; fruit salads; hazelnuts, prepared; edible fats; oils for food; fish-based foodstuffs; edible birds' nests; hummus (chickpea paste); onions, preserved; preserved garlic; shellfish, not live; potato crisps; low-fat potato crisps; fruit chips; caviar; ham; powdered soy milk; apple purée; berries, preserved; powdered eggs; snail eggs for consumption; eggs; yakitori.

30 – Peanut confectionery; flavourings, other than essential oils, for beverages; flavourings, other than essential oils, for cakes; food flavourings, other than essential oils; aromatic preparations for food; apple pies; cereal bars; high-protein cereal bars; royal jelly; bibimbap [rice mixed with vegetables and beef]; bean meal; nut flours; buckwheat flour; tapioca flour; flour; bulgur; bread rolls; buns; burritos; vanillin [vanilla substitute]; vanilla flavourings for culinary purposes; Chinese stuffed dumplings; waffles; vermicelli; flour-based dumplings; oatmeal; oat flakes; sausage binding materials; binding agents for ice cream; cloves [spice]; mustard; mustard meal; cake frosting [icing]; glucose for culinary purposes; chocolate-coated nuts; garden herbs, preserved [seasonings]; buckwheat, processed; mirror icing [mirror glaze]; gluten additives for culinary purposes; yeast; dulce de leche; essences for foodstuffs, except etheric essences and essential oils; chewing gum for breath freshening; chewing gum; cranberry sauce [condiment]; custard; thickening agents for cooking foodstuffs; leaven; ferments for pastes; cereal-based snack food; rice-based snack food; artificial coffee; frozen yogurt [confectionery ices]; dressings for salad; wheat germ for human consumption; cereal preparations; butterscotch confectionery; ginger [spice]; edible paper; edible rice paper; coffee; unroasted coffee; coffee flavourings; coffee beverages with milk; cocoa; cocoa beverages with milk; capers; caramels [sweets]; curry [spice]; potato flour; flowers or leaves for use as tea substitutes; ketchup [sauce]; bibimbap [Korean dish consisting primarily of cooked rice with added vegetables and beef]; kimchiyeon [pancakes made with fermented vegetables]; quinoa, processed; quiches; gluten prepared as foodstuff; confectionery; confectionery for decorating Christmas trees; sugar confectionery; cinnamon [spice]; crackers; cream of tartar for culinary purposes; starch for food; hominy grits; groats for human food; ice cubes; corn, milled; corn, roasted; corn flour; corn flakes; turmeric; couscous (semolina); cooking salt; ice for refreshment; ice, natural or artificial; shaved ice with sweetened red beans; liquorice [confectionery]; noodles; soba noodles; udon noodles; potato-based flatbreads; mints for breath freshening; mayonnaise; macaroni; pasta; sugar coated beans [confectionery]; maltose; hominy; semolina; marinades; marzipan; honey; molasses for food; almond paste; almond confectionery; miso (seasoning); pancakes; ice cream; seawater for cooking; miso [seasoning]; dessert mousses [confectionery]; chocolate mousses; nutmegs; muesli; meat gravies; mint for confectionery; peppermint sweets; coffee-based beverages; cocoa-based beverages; chamomile-based beverages; tea-based beverages; chocolate-based beverages; aniseed; star aniseed; sesame seeds [seasonings]; linseed for culinary purposes [seasoning]; infusions, not medicinal; processed seeds for use as a seasoning; crushed oats; okonomiyaki (Japanese savory pancakes); onigiri (rice balls); vinegar; husked oats; husked barley;

stick liquorice [confectionery]; palm sugar; lozenges (confectionery); lozenges [confectionery]; baking powder; pelmeni [dumplings stuffed with meat]; allspice; peppers [seasonings]; pepper; pesto (sauce); petits fours [cakes]; beer vinegar; pies; pâtés en croûte; meat pies; piccalilli; pizzas; chips [cereal products]; fondants [confectionery]; popcorn; powders for making ice cream; pralines; candy decorations for cakes; chocolate decorations for cakes; condiments; natural sweeteners; seasonings; unleavened bread; oat-based food; propolis; gingerbread; spices; puddings; cake powder; wheat flour; ravioli; ramen [Japanese noodle-based dish]; relish [condiment]; meat tenderizers for household purposes; preparations for stiffening whipped cream; rice; instant rice; rice pulp for culinary purposes; rice pudding; rice cakes; vegetal preparations for use as coffee substitutes; sago; sandwiches; hot dog sandwiches; celery salt; senbei (rice crackers); agave syrup [natural sweetener]; molasses syrup; salt for preserving foodstuffs; soybean paste (seasoning); soya flour; soya sauce; malt for human consumption; malt biscuits; malt extract for food; candies [sweets]; sorbets [ices]; sauces [condiments]; pasta sauce; spaghetti; chocolate-based spreads; chocolate spreads containing nuts; spring rolls; noodle-based prepared meals; freeze-dried dishes with the main ingredient being pasta; lyophilised dishes with the main ingredient being rice; ham glaze; batter mixes for okonomiyaki [Japanese savory pancakes]; rusks; bread-crumbs; petit-beurre biscuits; sushi; tabbouleh; tacos; tapioca; tarts; dough; cake batter; pastry dough; tomato sauce; tortillas; fruit jellies [confectionery]; fruit coulis [sauces]; halvah; baking soda [bicarbonate of soda for cooking purposes]; edible ices; bread; pastries; bread dough; chicory [coffee substitute]; sweets; sugar; iced tea; tea; minced garlic [condiment]; chutneys [condiments]; cheeseburgers [sandwiches]; chow-chow [condiment]; saffron [seasoning]; chocolate; chocolate beverages with milk; apple sauce [condiment]; barley meal; crushed barley.

32 – Aperitifs, non-alcoholic; non-alcoholic beverages; non-alcoholic beverages flavoured with coffee; non-alcoholic beverages flavoured with tea; non-alcoholic honey-based beverages; non-alcoholic preparations for making beverages; non-alcoholic fruit extracts; non-alcoholic fruit juice beverages; grape must, unfermented; waters [beverages]; carbonated water; extracts of hops for making beer; concentrates for making fruit drinks; seltzer water; isotonic beverages; ginger beer; colas [soft drinks]; cocktails, non-alcoholic; beer-based cocktails; lemonades; lithia water; mineral water [beverages]; energy drinks; aloe vera drinks, non-alcoholic; rice-based beverages, other than milk substitutes; soya-based beverages, other than milk substitutes; whey beverages; vegetable juices [beverages]; orgeat; beer wort; beer; powders for effervescing beverages; sarsaparilla [non-alcoholic beverage]; cider, non-alcoholic; syrups for lemonade; syrups for beverages; preparations for making carbo-

nated water; smoothies; soda water; fruit juices; malt beer; malt wort; protein-enriched sports beverages; table waters; must; pastilles for effervescing beverages; tomato juice [beverage]; soft drinks; fruit nectars, non-alcoholic; sherbets [beverages]; barley wine [beer].

35 – Administrative assistance in responding to calls for tenders; administrative processing of purchase orders; administration of consumer loyalty programs; auctioneering; outsourced administrative management for companies; market studies; demonstration of goods; business management assistance; commercial or industrial management assistance; advisory services for business management; business research; compilation of information into computer databases; commercial administration of the licensing of the goods and services of others; business management consultancy; consultancy regarding public relations communication strategies; business organization consultancy; marketing; targeted marketing; marketing research; provision of an online marketplace for buyers and sellers of goods and services; organization of exhibitions for commercial or advertising purposes; organization of trade fairs for commercial or advertising purposes; rental of advertising space; business management and organization consultancy; commercial information agency services; business efficiency expert services; outsourcing services [business assistance]; price comparison services; procurement services for others [purchasing goods and services for other businesses]; import-export agency services; commercial intermediation services; search engine optimization for sales promotion; presentation of goods on communication media, for retail purposes; advertising; outdoor advertising; advertising by mail order; online advertising on computer communication networks; distribution of samples; dissemination of advertising matter; creation of advertising material; systemization of information into computer databases; sales promotion for others; promotion of goods and services through sponsorship of sports events; production of teleshopping programmes; television advertising; negotiation and conclusion of commercial transactions for third parties; professional business consultancy.

(260) AM 2022 113449 A

(800) 1595708

(151) 2020 09 03

(891) 2020 09 03

(731) DURSUN YILDIRIM YAPI MALZEMELERİ
SANAYİ VE TİCARET LİMİTED ŞİRKETİ
KESKİN ORGANİZE SANAYİ BÖLGESİ
4., SOKAK No.8, KESKİN/KIRIKKALE,
Turkey

(540)



(591) Blue, orange and white

(531) 26.13.25; 27.05.11; 29.01.13

(511)

1 – Chemicals used in industry, science, photography, agriculture, horticulture and forestry; manures and soils; unprocessed artificial resins and unprocessed plastics; fire extinguishing compositions; adhesives not for medical, household and stationery purposes.

17 – Rubber, gutta-percha, gum, asbestos, mica and semi-finished synthetic goods made from these materials in the form of powder, bars, panels and foils included in this class; insulation, stopping and sealing materials; insulation paints, insulation fabrics, insulating tape and band, insulation covers for industrial machinery, joint sealant compounds for joints, gaskets, O-rings for sealing purposes (other than gaskets for motors, cylinders and washer for water taps); flexible pipes made from rubber and plastic; hoses made of plastic and rubber, including those used for vehicles; junctions for pipes of plastic and rubber; pipe jackets of plastic and rubber; hoses of textile material; junctions for pipes, not of metal; pipe jackets, not of metal; connecting hose for vehicle radiators.

19 – Sand, gravel, crushed stone, asphalt, bitumen, cement, gypsum, plaster, concrete, marble blocks for construction, included in this class; building materials (as finished products) made of concrete, gypsum, clay, potters' clay, stone, marble, wood, plastics and synthetic materials for building, construction, road construction purposes, included in this class; non-metallic buildings, non-metallic building materials, poles not of metal for power lines, barriers not of metal; bitumen coating for roofing; traffic signs not of metal, non-luminous and non-mechanical, for roads; monuments and statuettes of stone, concrete and marble; building glass; prefabricated swimming pools not of metal (structures); aquarium sand.

35 – Advertising, marketing and public relations; organization of exhibitions and trade fairs for commercial or advertising purposes; provision of an online marketplace for buyers and sellers of goods and services; office functions; secretarial services; arranging newspaper subscriptions for others; compilation of statistics; rental of office machines; systemization of information into computer databases; telephone answering for unavailable subscribers; business management, business administration and business consultancy; accounting; commercial consultancy services; personnel recruitment, personnel placement, employ-

ment agencies, import-export agencies; temporary personnel placement services; the bringing together, for the benefit of others, of a variety of goods, namely, insulation covers for industrial machinery, sand, gravel, crushed stone, asphalt, bitumen, cement, gypsum, plaster, concrete, building materials, clay, stone, marble, wood, enabling customers to conveniently view and purchase those goods, such services may be provided by retail stores, wholesale outlets, by means of electronic media or through mail order catalogues.

(260) AM 2022 113450 A

(800) 1595715

(151) 2020 11 18

(891) 2020 11 18

(731) BEIJING DEEPCOOL SCI-TECH CO., LTD.

No 101, Floor 1-4, Building 10, Dijin Road 9,
Haidian District, 100095 Beijing, China

(540)



(591) Black, white

(531) 26.03.23; 26.04.24; 26.11.03; 27.05.24

(511)

9 – Central processing unit coolers; internal cooling fans for computers; cooling pads for notebook computers; computer peripheral devices; computers cases; mouse pads; stands for tablet computers; stands for notebook computers; downloadable applications for computers; downloadable applications for mobile phones; electrical wires; power adaptors; flowmeters; stable electric power supply units.

(260) AM 2022 113451 A

(800) 1595746

(151) 2021 03 05

(891) 2021 03 05

(731) Oriflame Cosmetics AG

c/o Oriflame Global Management AG,
Bleicheplatz 3, CH-8200 Schaffhausen,
Switzerland

(540)

SARPIO

(591) Black, white

(511)

41 – Education; providing of training; cultural activities.

(260) AM 2022 113452 A

(800) 1595751

(151) 2021 01 26

(891) 2021 01 26

(731) Egis Gyógyszergyár Zrt.

Keresztúri út 30-38., H-1106 Budapest,

Hungary

(540)

NITESOLUTE

(591) Black, white

(511)

3 – Cosmetics and cosmetic preparations.

5 – Human pharmaceutical preparations; dietetic substances adapted for medical use; dietary supplements; medicinal ointments; medicated skin creams; plasters, materials for dressings.

(260) AM 2022 113453 A

(800) 1595756

(151) 2021 01 26

(891) 2021 01 26

(731) Egis Gyógyszergyár Zrt.

Keresztúri út 30-38., H-1106 Budapest,

Hungary

(540)

ASELOSOLUTE

(591) Black, white

(511)

3 – Cosmetics and cosmetic preparations.

5 – Human pharmaceutical preparations; dietetic substances adapted for medical use; dietary supplements; medicinal ointments; medicated skin creams; plasters, materials for dressings.

INTERNATIONAL TRADEMARKS PROTECTED IN GEORGIA

(260) AM 2022 107015 A
(800) 1096614
(151) 2011 09 30
(181) 2021 09 30
(891) 2019 12 23
(511) 03, 03, 35

(260) AM 2022 111028 A
(800) 1567007
(151) 2020 07 07
(181) 2030 07 07
(891) 2020 07 07
(511) 09, 16, 35, 36, 37, 38, 41, 42

(260) AM 2022 108900 A
(800) 1538244
(151) 2020 03 27
(181) 2030 03 27
(891) 2020 03 27
(511) 09, 25, 35

(260) AM 2022 111029 A
(800) 1567047
(151) 2020 09 27
(181) 2030 09 27
(891) 2020 09 27
(511) 07

(260) AM 2022 110241 A
(800) 1556315
(151) 2020 05 25
(181) 2030 05 25
(891) 2020 05 25
(511) 25

(260) AM 2022 111030 A
(800) 1567065
(151) 2020 06 15
(181) 2030 06 15
(891) 2020 06 15
(511) 35

(260) AM 2022 110989 A
(800) 1566089
(151) 2020 07 29
(181) 2030 07 29
(891) 2020 07 29
(511) 03

(260) AM 2022 111056 A
(800) 1497126
(151) 2019 10 04
(181) 2029 10 04
(891) 2020 11 30
(511) 03, 05, 29

(260) AM 2022 111015 A
(800) 1566692
(151) 2020 11 11
(181) 2030 11 11
(891) 2020 11 11
(511) 03, 21, 24

(260) AM 2022 111107 A
(800) 1567802
(151) 2020 11 03
(181) 2030 11 03
(891) 2020 11 03
(511) 03

(260) AM 2022 111025 A
(800) 1566993
(151) 2020 03 03
(181) 2030 03 03
(891) 2020 03 03
(511) 09, 16, 28, 35, 38, 41, 42

(260) AM 2022 111108 A
(800) 1567811
(151) 2020 07 20
(181) 2030 07 20
(891) 2020 07 20
(511) 09, 28, 41

(260) AM 2022 111027 A
(800) 1567000
(151) 2020 07 20
(181) 2030 07 20
(891) 2020 07 20
(511) 09, 28, 41

(260) AM 2022 111109 A
(800) 1567828
(151) 2020 08 31
(181) 2030 08 31
(891) 2020 08 31
(511) 03

(260) AM 2022 111110 A
(800) 1567834
(151) 2020 09 15
(181) 2030 09 15
(891) 2020 09 15
(511) 01, 09

(260) AM 2022 111118 A
(800) 1568083
(151) 2020 01 14
(181) 2030 01 14
(891) 2020 01 14
(511) 35

(260) AM 2022 111111 A
(800) 1567841
(151) 2020 11 10
(181) 2030 11 10
(891) 2020 11 10
(511) 42

(260) AM 2022 111119 A
(800) 1568099
(151) 2020 10 08
(181) 2030 10 08
(891) 2020 10 08
(511) 16

(260) AM 2022 111112 A
(800) 1567860
(151) 2020 10 20
(181) 2030 10 20
(891) 2020 10 20
(511) 29, 30

(260) AM 2022 111120 A
(800) 1568179
(151) 2020 10 28
(181) 2030 10 28
(891) 2020 10 28
(511) 10

(260) AM 2022 111113 A
(800) 1567868
(151) 2020 03 25
(181) 2030 03 25
(891) 2020 03 25
(511) 29, 30

(260) AM 2022 111121 A
(800) 1568188
(151) 2020 10 29
(181) 2030 10 29
(891) 2020 10 29
(511) 03, 05, 10, 21

(260) AM 2022 111114 A
(800) 1567920
(151) 2020 09 30
(181) 2030 09 30
(891) 2020 09 30
(511) 18

(260) AM 2022 111132 A
(800) 1568457
(151) 2020 10 21
(181) 2030 10 21
(891) 2020 10 21
(511) 09, 16, 35, 36, 39, 42

(260) AM 2022 111116 A
(800) 1568056
(151) 2020 07 21
(181) 2030 07 21
(891) 2020 07 21
(511) 09, 28, 41

(260) AM 2022 111135 A
(800) 1281857
(151) 2015 10 22
(181) 2025 10 22
(891) 2020 12 14
(511) 03, 05, 44

(260) AM 2022 111117 A
(800) 1568071
(151) 2020 09 09
(181) 2030 09 09
(891) 2020 09 09
(511) 01, 31, 35

(260) AM 2022 111136 A
(800) 1414587
(151) 2018 05 22
(181) 2028 05 22
(891) 2020 12 16
(511) 05

(260) AM 2022 111164 A
(800) 1568522
(151) 2020 12 14
(181) 2030 12 14
(891) 2020 12 14
(511) 10

(260) AM 2022 111172 A
(800) 1568681
(151) 2020 11 27
(181) 2030 11 27
(891) 2020 11 27
(511) 14, 35

(260) AM 2022 111166 A
(800) 1568546
(151) 2020 08 13
(181) 2030 08 13
(891) 2020 08 13
(511) 29

(260) AM 2022 111173 A
(800) 1568698
(151) 2020 10 27
(181) 2030 10 27
(891) 2020 10 27
(511) 44

(260) AM 2022 111167 A
(800) 1568560
(151) 2020 09 29
(181) 2030 09 29
(891) 2020 09 29
(511) 09, 12, 35, 37, 38, 41, 42

(260) AM 2022 111174 A
(800) 1568699
(151) 2020 11 27
(181) 2030 11 27
(891) 2020 11 27
(511) 14, 35

(260) AM 2022 111168 A
(800) 1568564
(151) 2020 09 29
(181) 2030 09 29
(891) 2020 09 29
(511) 09, 12, 35, 37, 38, 41, 42

(260) AM 2022 111185 A
(800) 1568901
(151) 2020 11 24
(181) 2030 11 24
(891) 2020 11 24
(511) 01, 05

(260) AM 2022 111169 A
(800) 1568577
(151) 2020 02 03
(181) 2030 02 03
(891) 2020 02 03
(511) 18, 25, 35

(260) AM 2022 111186 A
(800) 1568942
(151) 2020 09 03
(181) 2030 09 03
(891) 2020 09 03
(511) 25

(260) AM 2022 111170 A
(800) 1568588
(151) 2020 08 13
(181) 2030 08 13
(891) 2020 08 13
(511) 29

(260) AM 2022 111187 A
(800) 1568967
(151) 2020 09 30
(181) 2030 09 30
(891) 2020 09 30
(511) 29, 30

(260) AM 2022 111171 A
(800) 1568636
(151) 2020 04 14
(181) 2030 04 14
(891) 2020 04 14
(511) 09, 36, 38, 42, 45

(260) AM 2022 111188 A
(800) 1569019
(151) 2020 07 06
(181) 2030 07 06
(891) 2020 07 06
(511) 17

(260) AM 2022 111189 A
(800) 1569080
(151) 2020 11 24
(181) 2030 11 24
(891) 2020 11 24
(511) 05

(260) AM 2022 111197 A
(800) 1569101
(151) 2020 11 24
(181) 2030 11 24
(891) 2020 11 24
(511) 05

(260) AM 2022 111190 A
(800) 1569081
(151) 2020 11 24
(181) 2030 11 24
(891) 2020 11 24
(511) 05

(260) AM 2022 111198 A
(800) 1569102
(151) 2020 11 24
(181) 2030 11 24
(891) 2020 11 24
(511) 05

(260) AM 2022 111191 A
(800) 1569082
(151) 2020 11 24
(181) 2030 11 24
(891) 2020 11 24
(511) 05

(260) AM 2022 111199 A
(800) 1569106
(151) 2020 08 03
(181) 2030 08 03
(891) 2020 08 03
(511) 34

(260) AM 2022 111192 A
(800) 1569086
(151) 2020 11 24
(181) 2030 11 24
(891) 2020 11 24
(511) 05

(260) AM 2022 111210 A
(800) 1569158
(151) 2020 11 24
(181) 2030 11 24
(891) 2020 11 24
(511) 05

(260) AM 2022 111193 A
(800) 1569090
(151) 2020 11 24
(181) 2030 11 24
(891) 2020 11 24
(511) 05

(260) AM 2022 111211 A
(800) 1569161
(151) 2020 11 24
(181) 2030 11 24
(891) 2020 11 24
(511) 05

(260) AM 2022 111194 A
(800) 1569092
(151) 2020 06 12
(181) 2030 06 12
(891) 2020 06 12
(511) 16

(260) AM 2022 111212 A
(800) 1569166
(151) 2020 11 24
(181) 2030 11 24
(891) 2020 11 24
(511) 05

(260) AM 2022 111195 A
(800) 1569093
(151) 2020 11 24
(181) 2030 11 24
(891) 2020 11 24
(511) 05

(260) AM 2022 111213 A
(800) 1569169
(151) 2020 11 24
(181) 2030 11 24
(891) 2020 11 24
(511) 05

(260) AM 2022 111214 A
(800) 1569172
(151) 2020 02 10
(181) 2030 02 10
(891) 2020 02 10
(511) 09, 11, 17

(260) AM 2022 111221 A
(800) 1569389
(151) 2020 02 14
(181) 2030 02 14
(891) 2020 02 14
(511) 31

(260) AM 2022 111215 A
(800) 1569174
(151) 2020 09 30
(181) 2030 09 30
(891) 2020 09 30
(511) 10

(260) AM 2022 111222 A
(800) 1569391
(151) 2020 10 15
(181) 2030 10 15
(891) 2020 10 15
(511) 09

(260) AM 2022 111216 A
(800) 1569191
(151) 2020 11 11
(181) 2030 11 11
(891) 2020 11 11
(511) 43

(260) AM 2022 111224 A
(800) 1569470
(151) 2020 06 19
(181) 2030 06 19
(891) 2020 06 19
(511) 03

(260) AM 2022 111217 A
(800) 1569223
(151) 2020 09 23
(181) 2030 09 23
(891) 2020 09 23
(511) 11

(260) AM 2022 111225 A
(800) 1569478
(151) 2020 11 11
(181) 2030 11 11
(891) 2020 11 11
(511) 09

(260) AM 2022 111218 A
(800) 1569336
(151) 2020 07 15
(181) 2030 07 15
(891) 2020 07 15
(511) 03, 04

(260) AM 2022 111226 A
(800) 1569488
(151) 2020 01 01
(181) 2030 01 01
(891) 2020 01 01
(511) 24

(260) AM 2022 111219 A
(800) 1569352
(151) 2020 10 19
(181) 2030 10 19
(891) 2020 10 19
(511) 05

(260) AM 2022 111227 A
(800) 1569516
(151) 2020 09 24
(181) 2030 09 24
(891) 2020 09 24
(511) 31, 35

(260) AM 2022 111220 A
(800) 1569372
(151) 2020 07 21
(181) 2030 07 21
(891) 2020 07 21
(511) 09, 28, 41

(260) AM 2022 111228 A
(800) 1569571
(151) 2020 04 27
(181) 2030 04 27
(891) 2020 04 27
(511) 06, 07, 09, 17, 20, 35, 37, 39

(260) AM 2022 111229 A
(800) 1569581
(151) 2020 10 15
(181) 2030 10 15
(891) 2020 10 15
(511) 09

(260) AM 2022 111244 A
(800) 1569927
(151) 2020 11 24
(181) 2030 11 24
(891) 2020 11 24
(511) 05

(260) AM 2022 111230 A
(800) 1569599
(151) 2020 04 27
(181) 2030 04 27
(891) 2020 04 27
(511) 35

(260) AM 2022 111245 A
(800) 1569956
(151) 2020 11 24
(181) 2030 11 24
(891) 2020 11 24
(511) 05

(260) AM 2022 111232 A
(800) 1569676
(151) 2020 07 20
(181) 2030 07 20
(891) 2020 07 20
(511) 33

(260) AM 2022 111246 A
(800) 1569967
(151) 2020 11 24
(181) 2030 11 24
(891) 2020 11 24
(511) 05

(260) AM 2022 111240 A
(800) 1569862
(151) 2020 07 17
(181) 2030 07 17
(891) 2020 07 17
(511) 12

(260) AM 2022 111247 A
(800) 1569975
(151) 2020 11 24
(181) 2030 11 24
(891) 2020 11 24
(511) 05

(260) AM 2022 111241 A
(800) 1569865
(151) 2020 07 02
(181) 2030 07 02
(891) 2020 07 02
(511) 09

(260) AM 2022 111248 A
(800) 1569984
(151) 2020 10 06
(181) 2030 10 06
(891) 2020 10 06
(511) 29, 30, 32

(260) AM 2022 111242 A
(800) 1569902
(151) 2020 07 06
(181) 2030 07 06
(891) 2020 07 06
(511) 33

(260) AM 2022 111249 A
(800) 1570017
(151) 2020 06 24
(181) 2030 06 24
(891) 2020 06 24
(511) 07

(260) AM 2022 111243 A
(800) 1569922
(151) 2020 11 24
(181) 2030 11 24
(891) 2020 11 24
(511) 05

(260) AM 2022 111250 A
(800) 1570018
(151) 2020 11 09
(181) 2030 11 09
(891) 2020 11 09
(511) 09, 16, 41

(260) AM 2022 111251 A
(800) 1570052
(151) 2020 11 09
(181) 2030 11 09
(891) 2020 11 09
(511) 09, 16, 41

(260) AM 2022 111287 A
(800) 1570398
(151) 2020 10 09
(181) 2030 10 09
(891) 2020 10 09
(511) 30

(260) AM 2022 111252 A
(800) 1570087
(151) 2020 05 29
(181) 2030 05 29
(891) 2020 05 29
(511) 06, 09

(260) AM 2022 111288 A
(800) 1570417
(151) 2020 12 04
(181) 2030 12 04
(891) 2020 12 04
(511) 36

(260) AM 2022 111253 A
(800) 1570130
(151) 2020 11 30
(181) 2030 11 30
(891) 2020 11 30
(511) 29

(260) AM 2022 111289 A
(800) 1570460
(151) 2020 11 17
(181) 2030 11 17
(891) 2020 11 17
(511) 30

(260) AM 2022 111263 A
(800) 1369103
(151) 2016 12 13
(181) 2026 12 13
(891) 2020 12 22
(511) 06, 07, 09, 11, 17, 37, 42

(260) AM 2022 111290 A
(800) 1570503
(151) 2020 08 12
(181) 2030 08 12
(891) 2020 08 12
(511) 05, 28, 31

(260) AM 2022 111284 A
(800) 1570328
(151) 2020 07 21
(181) 2030 07 21
(891) 2020 07 21
(511) 09, 28, 41

(260) AM 2022 111291 A
(800) 1570515
(151) 2020 08 19
(181) 2030 08 19
(891) 2020 08 19
(511) 09

(260) AM 2022 111285 A
(800) 1570332
(151) 2020 07 20
(181) 2030 07 20
(891) 2020 07 20
(511) 09, 28, 41

(260) AM 2022 111292 A
(800) 1570546
(151) 2020 10 13
(181) 2030 10 13
(891) 2020 10 13
(511) 33

(260) AM 2022 111286 A
(800) 1570366
(151) 2020 09 30
(181) 2030 09 30
(891) 2020 09 30
(511) 16, 39

(260) AM 2022 111294 A
(800) 1570688
(151) 2020 10 09
(181) 2030 10 09
(891) 2020 10 09
(511) 01

(260) AM 2022 111295 A
(800) 1570731
(151) 2020 09 20
(181) 2030 09 20
(891) 2020 09 20
(511) 38, 41, 42

(260) AM 2022 111360 A
(800) 1571389
(151) 2020 12 07
(181) 2030 12 07
(891) 2020 12 07
(511) 42

(260) AM 2022 111309 A
(800) 1570966
(151) 2020 10 23
(181) 2030 10 23
(891) 2020 10 23
(511) 01, 31

(260) AM 2022 111362 A
(800) 1571412
(151) 2020 11 27
(181) 2030 11 27
(891) 2020 11 27
(511) 34

(260) AM 2022 111313 A
(800) 998040
(151) 2008 08 01
(181) 2028 08 01
(891) 2020 11 23
(511) 30, 43

(260) AM 2022 111363 A
(800) 1571495
(151) 2020 10 22
(181) 2030 10 22
(891) 2020 10 22
(511) 05, 35

(260) AM 2022 111314 A
(800) 1272844
(151) 2015 07 23
(181) 2025 07 23
(891) 2020 11 23
(511) 43

(260) AM 2022 111364 A
(800) 1571511
(151) 2020 12 08
(181) 2030 12 08
(891) 2020 12 08
(511) 16, 25, 32

(260) AM 2022 111315 A
(800) 1332958
(151) 2016 12 27
(181) 2026 12 27
(891) 2020 12 03
(511) 03

(260) AM 2022 111365 A
(800) 1571522
(151) 2020 10 22
(181) 2030 10 22
(891) 2020 10 22
(511) 05, 35

(260) AM 2022 111348 A
(800) 1571042
(151) 2020 09 29
(181) 2030 09 29
(891) 2020 09 29
(511) 12

(260) AM 2022 111366 A
(800) 1571531
(151) 2020 11 06
(181) 2030 11 06
(891) 2020 11 06
(511) 09

(260) AM 2022 111359 A
(800) 1571373
(151) 2020 12 14
(181) 2030 12 14
(891) 2020 12 14
(511) 08

(260) AM 2022 111367 A
(800) 1571578
(151) 2020 10 27
(181) 2030 10 27
(891) 2020 10 27
(511) 12

(260) AM 2022 111368 A
(800) 1571593
(151) 2020 11 10
(181) 2030 11 10
(891) 2020 11 10
(511) 12

(260) AM 2022 111375 A
(800) 1571723
(151) 2020 12 15
(181) 2030 12 15
(891) 2020 12 15
(511) 05

(260) AM 2022 111369 A
(800) 1571610
(151) 2020 10 15
(181) 2030 10 15
(891) 2020 10 15
(511) 30

(260) AM 2022 111376 A
(800) 1571738
(151) 2020 12 15
(181) 2030 12 15
(891) 2020 12 15
(511) 05

(260) AM 2022 111370 A
(800) 1571616
(151) 2020 10 06
(181) 2030 10 06
(891) 2020 10 06
(511) 03, 05

(260) AM 2022 111377 A
(800) 1571742
(151) 2020 12 15
(181) 2030 12 15
(891) 2020 12 15
(511) 05

(260) AM 2022 111371 A
(800) 1571653
(151) 2020 08 03
(181) 2030 08 03
(891) 2020 08 03
(511) 05

(260) AM 2022 111378 A
(800) 1571777
(151) 2020 12 15
(181) 2030 12 15
(891) 2020 12 15
(511) 05

(260) AM 2022 111372 A
(800) 1571673
(151) 2020 08 03
(181) 2030 08 03
(891) 2020 08 03
(511) 05

(260) AM 2022 111383 A
(800) 1571870
(151) 2020 10 14
(181) 2030 10 14
(891) 2020 10 14
(511) 09, 14

(260) AM 2022 111373 A
(800) 1571694
(151) 2020 11 11
(181) 2030 11 11
(891) 2020 11 11
(511) 09

(260) AM 2022 111389 A
(800) 1195689
(151) 2013 08 27
(181) 2023 08 27
(891) 2020 12 17
(511) 05

(260) AM 2022 111374 A
(800) 1571695
(151) 2020 11 11
(181) 2030 11 11
(891) 2020 11 11
(511) 09

(260) AM 2022 111393 A
(800) 1428556
(151) 2018 03 14
(181) 2028 03 14
(891) 2020 11 05
(511) 25, 35

(260) AM 2022 111451 A
(800) 1572059
(151) 2020 08 20
(181) 2030 08 20
(891) 2020 08 20
(511) 14, 16, 18, 25, 28

(260) AM 2022 111452 A
(800) 1572061
(151) 2020 08 20
(181) 2030 08 20
(891) 2020 08 20
(511) 36

(260) AM 2022 111453 A
(800) 1572131
(151) 2020 10 20
(181) 2030 10 20
(891) 2020 10 20
(511) 03, 05

(260) AM 2022 111454 A
(800) 1572180
(151) 2020 09 16
(181) 2030 09 16
(891) 2020 09 16
(511) 05, 16, 41, 42, 44

(260) AM 2022 111455 A
(800) 1572198
(151) 2020 11 02
(181) 2030 11 02
(891) 2020 11 02
(511) 12

(260) AM 2022 111466 A
(800) 1572329
(151) 2020 11 27
(181) 2030 11 27
(891) 2020 11 27
(511) 14

(260) AM 2022 111467 A
(800) 1572336
(151) 2020 08 20
(181) 2030 08 20
(891) 2020 08 20
(511) 09, 35, 36, 38, 41, 42, 45

(260) AM 2022 111468 A
(800) 1572337
(151) 2020 11 20
(181) 2030 11 20
(891) 2020 11 20
(511) 30

(260) AM 2022 111469 A
(800) 1572350
(151) 2020 08 14
(181) 2030 08 14
(891) 2020 08 14
(511) 01, 02, 03, 05, 10, 16, 17, 18, 19, 22, 23, 24, 25,
27, 34, 35, 39, 40, 41, 42

(260) AM 2022 111470 A
(800) 1572420
(151) 2020 10 30
(181) 2030 10 30
(891) 2020 10 30
(511) 09

(260) AM 2022 111471 A
(800) 1572422
(151) 2020 12 17
(181) 2030 12 17
(891) 2020 12 17
(511) 05

(260) AM 2022 111472 A
(800) 1572447
(151) 2020 10 30
(181) 2030 10 30
(891) 2020 10 30
(511) 09

(260) AM 2022 111473 A
(800) 1572478
(151) 2020 11 11
(181) 2030 11 11
(891) 2020 11 11
(511) 35, 43

(260) AM 2022 111474 A
(800) 1572479
(151) 2020 11 11
(181) 2030 11 11
(891) 2020 11 11
(511) 35, 43

(260) AM 2022 111475 A
(800) 1572516
(151) 2020 12 15
(181) 2030 12 15
(891) 2020 12 15
(511) 05

(260) AM 2022 111483 A
(800) 1572667
(151) 2019 10 16
(181) 2029 10 16
(891) 2019 10 16
(511) 07, 12

(260) AM 2022 111476 A
(800) 1572518
(151) 2020 10 27
(181) 2030 10 27
(891) 2020 10 27
(511) 25

(260) AM 2022 111484 A
(800) 1572691
(151) 2020 10 28
(181) 2030 10 28
(891) 2020 10 28
(511) 03

(260) AM 2022 111477 A
(800) 1572531
(151) 2020 12 15
(181) 2030 12 15
(891) 2020 12 15
(511) 05

(260) AM 2022 111485 A
(800) 1572731
(151) 2020 11 17
(181) 2030 11 17
(891) 2020 11 17
(511) 31

(260) AM 2022 111479 A
(800) 1572563
(151) 2020 12 15
(181) 2030 12 15
(891) 2020 12 15
(511) 05

(260) AM 2022 111486 A
(800) 1572791
(151) 2020 12 07
(181) 2030 12 07
(891) 2020 12 07
(511) 42

(260) AM 2022 111480 A
(800) 1572567
(151) 2020 12 15
(181) 2030 12 15
(891) 2020 12 15
(511) 05

(260) AM 2022 111487 A
(800) 1572848
(151) 2020 11 20
(181) 2030 11 20
(891) 2020 11 20
(511) 30

(260) AM 2022 111481 A
(800) 1572569
(151) 2020 12 15
(181) 2030 12 15
(891) 2020 12 15
(511) 05

(260) AM 2022 111547 A
(800) 1572999
(151) 2020 09 07
(181) 2030 09 07
(891) 2020 09 07
(511) 35

(260) AM 2022 111482 A
(800) 1572635
(151) 2020 11 06
(181) 2030 11 06
(891) 2020 11 06
(511) 29, 30, 31

(260) AM 2022 111548 A
(800) 1573131
(151) 2020 12 11
(181) 2030 12 11
(891) 2020 12 11
(511) 05

(260) AM 2022 111550 A
(800) 1573178
(151) 2020 12 11
(181) 2030 12 11
(891) 2020 12 11
(511) 09

(260) AM 2022 111567 A
(800) 1573911
(151) 2020 10 30
(181) 2030 10 30
(891) 2020 10 30
(511) 05, 10

(260) AM 2022 111552 A
(800) 1573339
(151) 2020 09 28
(181) 2030 09 28
(891) 2020 09 28
(511) 03, 05

(260) AM 2022 111568 A
(800) 1573974
(151) 2020 12 09
(181) 2030 12 09
(891) 2020 12 09
(511) 09

(260) AM 2022 111555 A
(800) 1573390
(151) 2020 09 28
(181) 2030 09 28
(891) 2020 09 28
(511) 03, 05

(260) AM 2022 111569 A
(800) 1574014
(151) 2020 11 06
(181) 2030 11 06
(891) 2020 11 06
(511) 12

(260) AM 2022 111557 A
(800) 1573411
(151) 2020 09 28
(181) 2030 09 28
(891) 2020 09 28
(511) 03, 05

(260) AM 2022 111570 A
(800) 1574032
(151) 2020 07 17
(181) 2030 07 17
(891) 2020 07 17
(511) 01, 35, 37, 40

(260) AM 2022 111558 A
(800) 1573620
(151) 2020 12 25
(181) 2030 12 25
(891) 2020 12 25
(511) 03

(260) AM 2022 111571 A
(800) 1574063
(151) 2020 07 23
(181) 2030 07 23
(891) 2020 07 23
(511) 35

(260) AM 2022 111565 A
(800) 1573893
(151) 2020 10 30
(181) 2030 10 30
(891) 2020 10 30
(511) 05, 10

(260) AM 2022 111572 A
(800) 1574071
(151) 2020 07 17
(181) 2030 07 17
(891) 2020 07 17
(511) 01, 35, 37, 40

(260) AM 2022 111566 A
(800) 1573909
(151) 2020 10 30
(181) 2030 10 30
(891) 2020 10 30
(511) 05, 10

(260) AM 2022 111573 A
(800) 1574082
(151) 2020 07 17
(181) 2030 07 17
(891) 2020 07 17
(511) 01, 35, 37, 40

(260) AM 2022 111575 A
(800) 1501788
(151) 2019 08 15
(181) 2029 08 15
(891) 2020 12 25
(511) 03

(260) AM 2022 111640 A
(800) 1574881
(151) 2020 09 03
(181) 2030 09 03
(891) 2020 09 03
(511) 03, 05

(260) AM 2022 111577 A
(800) 1517401
(151) 2019 12 30
(181) 2029 12 30
(891) 2021 01 04
(511) 03

(260) AM 2022 111641 A
(800) 1574921
(151) 2020 09 23
(181) 2030 09 23
(891) 2020 09 23
(511) 11

(260) AM 2022 111620 A
(800) 1574175
(151) 2020 11 27
(181) 2030 11 27
(891) 2020 11 27
(511) 30, 43

(260) AM 2022 111643 A
(800) 1574951
(151) 2020 09 25
(181) 2030 09 25
(891) 2020 09 25
(511) 03, 05

(260) AM 2022 111628 A
(800) 1574419
(151) 2020 12 18
(181) 2030 12 18
(891) 2020 12 18
(511) 34

(260) AM 2022 111644 A
(800) 1574962
(151) 2020 09 25
(181) 2030 09 25
(891) 2020 09 25
(511) 03, 05

(260) AM 2022 111629 A
(800) 1574429
(151) 2020 08 29
(181) 2030 08 29
(891) 2020 08 29
(511) 09, 35, 38, 42

(260) AM 2022 111645 A
(800) 1574968
(151) 2020 09 03
(181) 2030 09 03
(891) 2020 09 03
(511) 03, 05

(260) AM 2022 111630 A
(800) 1574490
(151) 2020 12 03
(181) 2030 12 03
(891) 2020 12 03
(511) 01

(260) AM 2022 111646 A
(800) 1574972
(151) 2021 01 04
(181) 2031 01 04
(891) 2021 01 04
(511) 03

(260) AM 2022 111638 A
(800) 1574784
(151) 2020 11 16
(181) 2030 11 16
(891) 2020 11 16
(511) 17

(260) AM 2022 111647 A
(800) 1574985
(151) 2020 09 25
(181) 2030 09 25
(891) 2020 09 25
(511) 03, 05

(260) AM 2022 111648 A
(800) 1574988
(151) 2020 09 03
(181) 2030 09 03
(891) 2020 09 03
(511) 03, 05

(260) AM 2022 111668 A
(800) 1575266
(151) 2020 12 12
(181) 2030 12 12
(891) 2020 12 12
(511) 17, 19

(260) AM 2022 111649 A
(800) 1574996
(151) 2020 09 03
(181) 2030 09 03
(891) 2020 09 03
(511) 03, 05

(260) AM 2022 111669 A
(800) 1575292
(151) 2020 12 12
(181) 2030 12 12
(891) 2020 12 12
(511) 17, 19

(260) AM 2022 111650 A
(800) 1575020
(151) 2021 01 05
(181) 2031 01 05
(891) 2021 01 05
(511) 12, 37

(260) AM 2022 111670 A
(800) 1575293
(151) 2020 12 21
(181) 2030 12 21
(891) 2020 12 21
(511) 09

(260) AM 2022 111652 A
(800) 1575057
(151) 2020 11 20
(181) 2030 11 20
(891) 2020 11 20
(511) 12

(260) AM 2022 111673 A
(800) 1575359
(151) 2020 12 01
(181) 2030 12 01
(891) 2020 12 01
(511) 05, 44

(260) AM 2022 111663 A
(800) 1575190
(151) 2020 12 07
(181) 2030 12 07
(891) 2020 12 07
(511) 05

(260) AM 2022 111674 A
(800) 1575364
(151) 2020 12 24
(181) 2030 12 24
(891) 2020 12 24
(511) 09

(260) AM 2022 111664 A
(800) 1575191
(151) 2020 12 07
(181) 2030 12 07
(891) 2020 12 07
(511) 05

(260) AM 2022 111675 A
(800) 1575374
(151) 2020 12 12
(181) 2030 12 12
(891) 2020 12 12
(511) 17, 19

(260) AM 2022 111667 A
(800) 1575262
(151) 2020 12 13
(181) 2030 12 13
(891) 2020 12 13
(511) 17, 19

(260) AM 2022 111676 A
(800) 1575378
(151) 2020 07 27
(181) 2030 07 27
(891) 2020 07 27
(511) 03

(260) AM 2022 111677 A
(800) 1575382
(151) 2020 07 30
(181) 2030 07 30
(891) 2020 07 30
(511) 05, 10

(260) AM 2022 111774 A
(800) 1575700
(151) 2021 01 05
(181) 2031 01 05
(891) 2021 01 05
(511) 12, 37

(260) AM 2022 111679 A
(800) 1575426
(151) 2020 11 30
(181) 2030 11 30
(891) 2020 11 30
(511) 09

(260) AM 2022 111775 A
(800) 1575716
(151) 2021 01 07
(181) 2031 01 07
(891) 2021 01 07
(511) 09

(260) AM 2022 111680 A
(800) 1575442
(151) 2020 07 24
(181) 2030 07 24
(891) 2020 07 24
(511) 35, 38, 42

(260) AM 2022 111779 A
(800) 1575869
(151) 2021 01 14
(181) 2031 01 14
(891) 2021 01 14
(511) 09

(260) AM 2022 111681 A
(800) 419646
(151) 1975 11 28
(181) 2025 11 28
(891) 2021 01 22
(511) 05

(260) AM 2022 111802 A
(800) 1576474
(151) 2020 12 11
(181) 2030 12 11
(891) 2020 12 11
(511) 01

(260) AM 2022 111682 A
(800) 688632
(151) 1998 01 21
(181) 2028 01 21
(891) 2021 01 12
(511) 36, 41, 42

(260) AM 2022 111804 A
(800) 1576500
(151) 2020 12 21
(181) 2030 12 21
(891) 2020 12 21
(511) 35, 44

(260) AM 2022 111761 A
(800) 1575535
(151) 2020 12 15
(181) 2030 12 15
(891) 2020 12 15
(511) 05

(260) AM 2022 111806 A
(800) 1576559
(151) 2020 11 27
(181) 2030 11 27
(891) 2020 11 27
(511) 01

(260) AM 2022 111773 A
(800) 1575674
(151) 2021 01 14
(181) 2031 01 14
(891) 2021 01 14
(511) 42

(260) AM 2022 111827 A
(800) 1404691
(151) 2018 01 10
(181) 2028 01 10
(891) 2021 01 29
(511) 01, 04, 06, 14, 19, 35, 37, 38, 39, 40, 42, 45

(260) AM 2022 111828 A
(800) 1435370
(151) 2018 09 13
(181) 2028 09 13
(891) 2021 01 26
(511) 05, 29, 30, 32, 35

(260) AM 2022 112010 A
(800) 1578795
(151) 2021 01 18
(181) 2031 01 18
(891) 2021 01 18
(511) 09, 42

(260) AM 2022 111829 A
(800) 1461157
(151) 2019 02 08
(181) 2029 02 08
(891) 2021 01 20
(511) 14, 35

(260) AM 2022 111831 A
(800) 1531459
(151) 2020 04 11
(181) 2030 04 11
(891) 2021 01 20
(511) 19, 20, 27

(260) AM 2022 111910 A
(800) 1577589
(151) 2020 07 10
(181) 2030 07 10
(891) 2020 07 10
(511) 32

(260) AM 2022 111911 A
(800) 1577622
(151) 2020 12 08
(181) 2030 12 08
(891) 2020 12 08
(511) 41

(260) AM 2022 111921 A
(800) 1577834
(151) 2020 09 21
(181) 2030 09 21
(891) 2020 09 21
(511) 09

(260) AM 2022 111924 A
(800) 1577929
(151) 2021 01 04
(181) 2031 01 04
(891) 2021 01 04
(511) 05

OFFICIAL NOTIFICATIONS

INVENTIONS

RESTORATION OF PATENT

(21) AP 2005 8972
(11) P 2009 4663 B
(73) Giorgi Ioramashvili;
Marine Beroshvili
(54) METHOD FOR SEPARATION OF FLUID INTRUSION
DATE OF CANCELLATION OF PATENT: 2021 09 12
THE TERM OF RESTORATION OF PATENT: 2022 02 10

ABOLITION OF PATENTS WITH THE RIGHT TO RESTORE

(21) AP 2007 10866
(11) P 2013 5876 B
(73) Honeywell International Inc.
(54) STABILIZED COMPOSITIONS CONTAINING AMMONIUM NITRATE
DATE OF CANCELLATION OF PATENT: 2022 01 13
LIMITED DATE OF RESTORATION OF PATENT: 2023 01 13

(21) AP 2008 11415
(11) P 2012 5693 B
(73) Biogen Ma Inc.
(54) SP35 ANTIBODIES AND USAGE THEREOF
DATE OF CANCELLATION OF PATENT: 2022 01 09
LIMITED DATE OF RESTORATION OF PATENT: 2023 01 09

(21) AP 2009 11882
(11) P 2013 5790 B
(73) Sunrise R&D Holdings LLC
(54) METHOD OF TRACKING INDIVIDUALS REAL TIME LOCATION THROUGH MULTINETWORK
WITHIN STORE
DATE OF CANCELLATION OF PATENT: 2022 01 15
LIMITED DATE OF RESTORATION OF PATENT: 2023 01 15

(21) AP 2009 11883
(11) P 2013 5764 B
(73) Sunrise R&D Holdings LLC
(54) METHOD OF TRACKING INDIVIDUALS REAL TIME LOCATION THROUGH
MULTINETWORK WITHIN STORE
DATE OF CANCELLATION OF PATENT: 2022 01 15
LIMITED DATE OF RESTORATION OF PATENT: 2023 01 15

(21) AP 2011 12837
(11) P 2016 6544 B
(73) Corteva Agriscience LLC
(54) EXCISION OF TRANSGENES IN GENETICALLY MODIFIED ORGANISMS
DATE OF CANCELLATION OF PATENT: 2022 01 21
LIMITED DATE OF RESTORATION OF PATENT: 2023 01 21

(21) AP 2013 12975
(11) P 2016 6447 B
(73) Zurab Aslamazashvili;
Giorgi Oniashvili;
Garegin Zakharov;
Giorgi Tavadze;
Avtandil Khvadagiani;
Otar Oqrostsvardze;
Aleksandre Berner
(54) SOLID ALLOY
DATE OF CANCELLATION OF PATENT: 2022 01 22
LIMITED DATE OF RESTORATION OF PATENT: 2023 01 22

(21) AP 2012 13180
(11) P 2015 6365 B
(73) Les Laboratoires Servier
(54) NEW METHOD FOR AGOMELATINE SYNTHESIZES AND INTERMEDIATES
DATE OF CANCELLATION OF PATENT: 2021 01 04
LIMITED DATE OF RESTORATION OF PATENT: 2022 01 04

(21) AP 2015 14215
(11) P 2019 6982 B
(73) Santen Pharmaceutical CO., LTD
(54) PHARMACEUTICAL COMPOSITION CONTAINING PYRIDYLAMINO ACETIC ACID COMPOUND
DATE OF CANCELLATION OF PATENT: 2022 01 08
LIMITED DATE OF RESTORATION OF PATENT: 2023 01 08

(21) AP 2015 14216
(11) P 2018 6916 B
(73) Santen Pharmaceutical CO., LTD
(54) PYRIDYLAMINOACETIC ACID COMPOUND AND POLYOXYETHYLENE CASTOR
OIL-CONTAINING PHARMACEUTICAL COMPOSITION
DATE OF CANCELLATION OF PATENT: 2022 01 08
LIMITED DATE OF RESTORATION OF PATENT: 2023 01 08

(21) AP 2015 14239
(11) P 2018 6917 B
(73) Santen Pharmaceutical CO., LTD
(54) PHARMACEUTICAL PREPARATION INCLUDING PYRIDYLAMINO ACETIC ACID COMPOUND
DATE OF CANCELLATION OF PATENT: 2022 01 08
LIMITED DATE OF RESTORATION OF PATENT: 2023 01 08

(21) AP 2003 8365
(11) P 2007 4024 B
(73) Biogen MA Inc.
(54) POLYALKYLENE GLYCOL COMPRISING A RADICAL FOR CONJUGATION OF
BIOLOGICALLY ACTIVE COMPOUND
DATE OF CANCELLATION OF PATENT: 2022 01 17
LIMITED DATE OF RESTORATION OF PATENT: 2023 01 17

EXPIRATION OF TERM OF RESTORATION OF PATENTS

(21) AP 2010 12344
(11) P 2014 6013 B
(73) Aziende Chimiche Riunite Angelini Francesco A.C.R.A.F. S.p.A. (IT)
(54) CONTROLLED RELEASE PHARMACEUTICAL OR FOOD FORMULATION AND
METHOD OF PREPARATION THEREOF
DATE OF CANCELLATION OF PATENT: 2021 01 08
THE TERM OF RESTORATION OF PATENT VALIDITY HAS EXPIRED: 2022 01 08

(21) AP 2012 13179
(11) P 2016 6576 B
(73) Les Laboratoires Servier
(54) NOVEL PROCESS FOR SYNTHESIZING AGOMELATINE
DATE OF CANCELLATION OF PATENT: 2021 01 04
THE TERM OF RESTORATION OF PATENT VALIDITY HAS EXPIRED: 2022 01 04

(21) AP 2012 13204
(11) P 2015 6332 B
(73) GB007, Inc.
(54) PYRAZOLES AS CRTH2 ANTAGONISTS
DATE OF CANCELLATION OF PATENT: 2021 01 20
THE TERM OF RESTORATION OF PATENT VALIDITY HAS EXPIRED: 2022 01 20

(21) AP 2017 14853
(11) P 2020 7092 B
(73) Les Laboratoires Servier
(54) NOVEL PHOSPHINANE AND AZAPHOSPHINANE DERIVATIVES, METHOD FOR
PREPARING SAME AND PHARMACEUTICAL COMPOSITIONS CONTAINING SAME
DATE OF CANCELLATION OF PATENT: 2021 01 13
THE TERM OF RESTORATION OF PATENT VALIDITY HAS EXPIRED: 2022 01 13

EXPIRATION OF TERM OF PATENT

(21) AP 2002 6477
(11) P 2005 3686 B
(73) EGIS Pharmaceuticals PLC
(54) METHOD FOR OBTAINING AN ISOLATED EXTRACT OF PLANT CYCLAMEN
EUROPAEUM L. AND ITS USE
EXPIRATION DATE OF PATENT: 2022 02 17

CHANGES OF NAMES AND/OR ADDRESSES OF PATENTOWNER

(21) AP 2011 12837
(11) P 2016 6544 B
(54) EXCISION OF TRANSGENES IN GENETICALLY MODIFIED ORGANISMS
NEW NAME AND NEW ADDRESS: Corteva Agriscience LLC (US)
9330 Zionsville Road, Indianapolis, Indiana 46268, USA (US)
FORMER NAME AND FORMER ADDRESS: Dow Agrosciences LLC (US)
9330 Zionsville Road, Indianapolis, Indiana 46268, USA (US)
DATE OF REGISTRATION: 2022 02 01

(21) AP 2011 12842
(11) P 2017 6587 B
(54) ENGINEERED LANDING PADS FOR GENE TARGETING IN PLANTS
NEW NAME AND NEW ADDRESS: Corteva Agriscience LLC (US)
9330 Zionsville Road, Indianapolis, Indiana 46268, USA (US)
FORMER NAME AND FORMER ADDRESS: Dow Agrosciences LLC (US)
9330 Zionsville Road, Indianapolis, Indiana 46268, USA (US)
DATE OF REGISTRATION: 2022 02 01

(21) AP 2020 15321
(11) P 2021 7274 B
(54) DEVICE CONVERTING SOLAR ENERGY
NEW NAME AND NEW ADDRESS: Mikheil Kotishadze (GE)
Nikea St., II Lane 6/5, Kutaisi, Georgia (GE);
LTD "University of Georgia" (GE)
Merab Kostava St. 77a, 0171, Tbilisi, Georgia, (GE)
FORMER NAME AND FORMER ADDRESS: Mikheil Kotishadze (GE)
Nikea St., II Lane 6/5, Kutaisi, Georgia (GE)
DATE OF REGISTRATION: 2022 01 24

(21) AP 2020 15326
(11) P 2021 7296 B
(54) ARMOR FOR BULLETPROOF VEST
NEW NAME AND NEW ADDRESS: Mikheil Kotishadze (GE)
Nikea St., II Lane 6/5, Kutaisi, Georgia (GE);
LTD "University of Georgia" (GE)
Merab Kostava St. 77a, 0171, Tbilisi, Georgia, (GE)
FORMER NAME AND FORMER ADDRESS: Mikheil Kotishadze (GE)
Nikea St., II Lane 6/5, Kutaisi, Georgia (GE)
DATE OF REGISTRATION: 2022 01 24

UTILITY MODELS

RESTORATION OF PATENTS

(21) AU 2018 14972
(11) U 2021 2071 Y
(73) Mzia Luashvili;
 Vakhtang Luashvili
(54) DEVICE FOR SKIN DESEASES TREATMENT
DATE OF CANCELLATION OF PATENT: 2021 12 21
THE TERM OF RESTORATION OF PATENT: 2022 02 10

(21) AU 2019 15236
(11) U 2020 2059 Y
(73) Levan Sharangia;
 Davit Pirvelashvili
(54) TELECOMMUNICATION SYSTEM FOR SECURITY SERVICE USAGE BY HUMAN
DATE OF CANCELLATION OF PATENT: 2021 12 16
THE TERM OF RESTORATION OF PATENT: 2022 02 10

(21) AU 2019 15243
(11) U 2021 2069 Y
(73) Levan Sharangia;
 Davit Pirvelashvili
(54) E-WALLET SERVICE COLLECTIVE USAGE SYSTEM
DATE OF CANCELLATION OF PATENT: 2021 12 20
THE TERM OF RESTORATION OF PATENT: 2022 02 10

(21) AU 2020 15253
(11) U 2021 2075 Y
(73) Koba Kvachantiradze;
 Vakhtang Khechikashvili
(54) GAS STOVE
DATE OF CANCELLATION OF PATENT: 2022 01 09
THE TERM OF RESTORATION OF PATENT: 2022 02 10

ABOLITION OF PATENTS WITH THE RIGHT TO RESTORE

(21) AU 2013 12969
(11) U 2014 1812 Y
(73) Eter Kemertelidze;
Meri Alania
(54) METHOD FOR OBTAINING ROBININ
DATE OF CANCELLATION OF PATENT: 2022 01 17
LIMITED DATE OF RESTORATION OF PATENT: 2023 01 17

(21) AU 2014 13353
(11) U 2014 1840 Y
(73) Nadezhda Margishvili
(54) DEPILATING MEANS
DATE OF CANCELLATION OF PATENT: 2022 01 21
LIMITED DATE OF RESTORATION OF PATENT: 2023 01 21

(21) AU 2019 14990
(11) U 2020 2045 Y
(73) Paata Gogoladze
(54) METHOD FOR RETICULAR TISSUE PRODUCTION FOR ARMORING ASPHALT CONCRETE
DATE OF CANCELLATION OF PATENT: 2022 01 25
LIMITED DATE OF RESTORATION OF PATENT: 2023 01 25

(21) AU 2020 15253
(11) U 2021 2075 Y
(73) Koba Kvachantiradze;
Vakhtang Khechikashvili
(54) GAS STOVE
DATE OF CANCELLATION OF PATENT: 2022 01 09
LIMITED DATE OF RESTORATION OF PATENT: 2024 01 09

EXPIRATION OF TERM OF RESTORATION OF PATENT

(21) AU 2019 14986
(11) U 2020 2044 Y
(73) Nia Natbiladze;
Zaal Uplisashvili;
Aleksandre Ioramashvili
(54) ROTARY PRINTING MACHINE
DATE OF CANCELLATION OF PATENT: 2021 01 16
THE TERM OF RESTORATION OF PATENT VALIDITY HAS EXPIRED: 2022 01 16

TRANSFER OF RIGHT

(21) AU 2020 15417
(11) U 2022 2103 Y
(54) VASCULAR TRANSMISSION SYSTEM
NEW PATENTOWNER AND NEW ADDRESS: Mikheil Kotishadze (GE)
Nikea St., II Lane 6/5, Kutaisi, Georgia (GE);
LTD "University of Georgia" (GE)
Merab Kostava St. 77a, 0171, Tbilisi, Georgia, (GE)
FORMER PATENTOWNER AND FORMER ADDRESS: Mikheil Kotishadze (GE)
Nikea St., II Lane 6/5, Kutaisi, Georgia (GE)
DATE OF REGISTRATION: 2022 02 02

DESIGNS

EXTENSION OF TERM OF DESIGN REGISTRATION

(11) D 2017 732 S
(73) Mikasa Corporation (JP)
1, Kuti, Asa-to, Asakita-ku, Hiroshima-shi, Hiroshima, 731-3362, Japan (JP)
(54) SPORTING BALL
(28) 1
(24) 2017 02 01
(18) 2027 02 01
(58) 2022 02 02

CANCELLATION OF DESIGNS REGISTRATION

(11) D 2017 696 S
(73) Nika Alavidze (GE)
Kavtiskhevi St. 14, 0180, Tbilisi, Georgia (GE)
(54) PARKING BOOKING SYSTEM
(18) 2021 07 04
(58) 2022 02 01

(11) D 2016 686 S
(73) LTD "Goodwine" (GE)
S. Janashia St.11a, 0179, Tbilisi, Georgia (GE)
(54) WINE BOTTLING AUTOMATIC MACHINE FOR TRADE
(18) 2021 07 07
(58) 2022 02 01

(11) D 2017 699 S
(73) Lasha Pantskhava (GE)
Gldani, II mkr., bld. 28, app. 9, 0167, Tbilisi, Georgia (GE)

(54) 1.-3. GLASS REST
(18) 2021 07 14
(58) 2022 02 01

CHANGES OF OWNER DATA

(11) D 2021 880 S
(54) LABEL
NEW NAME AND NEW ADDRESS: Limited Trade Development "Ehrmann" (RU)
Ramenski Agrokhimstation Settlement (RAOS),
House 15, 140126, Ramensk G.O., Moscow District, Russian
Federation (RU)
FORMER NAME AND FORMER ADDRESS: Limited Trade Development "Ehrmann" (RU)
Ramensk G.O., Agrokhimstation Settlement (RAOS), House 15,
140126, Moscow District, Russian
Federation (RU)
(58) DATE OF REGISTRATION: 2022 01 24

(11) D 2021 881 S
(54) LABEL
NEW NAME AND NEW ADDRESS: Limited Trade Development "Ehrmann" (RU)
Ramenski Agrokhimstation Settlement (RAOS),
House 15, 140126, Ramensk G.O., Moscow District, Russian
Federation (RU)
FORMER NAME AND FORMER ADDRESS: Limited Trade Development "Ehrmann" (RU)
Ramensk G.O., Agrokhimstation Settlement (RAOS), House 15,
140126, Moscow District, Russian
Federation (RU)
(58) DATE OF REGISTRATION: 2022 01 24

EXTENSION OF TERM OF INTERNATIONAL DESIGNS REGISTRATION

(11) DM/67929
(73) SOCIÉTÉ DES PRODUITS NESTLÉ S.A.
CH-1800 VEVEY (CH)
(15) 2006 06 13
(24) 2006 06 13
(18) 2026 06 13
(28) 1
(28') 1
(54) Box for chocolates (packaging)

(11) DM/68469
(73) MONTRES BREGUET S.A.
CH-1344 L'ABBAYE (CH)
(15) 2007 01 11

(24) 2007 01 11
(18) 2027 01 11
(28) 1
(28') 1
(54) Watch

(11) DM/68521
(73) TISSOT S.A.
Chemin des Tourelles 17, CH-2400 LE LOCLE (CH)
(15) 2007 01 12
(24) 2007 01 12
(18) 2027 01 12
(28) 1
(28') 1
(54) Display stand for watches

(11) DM/68587
(73) PHILIP MORRIS PRODUCTS S.A.
Quai Jeanrenaud 3, CH-2000 Neuchâtel (CH)
(15) 2007 01 04
(24) 2007 01 04
(18) 2027 01 04
(28) 1
(28') 1
(54) Pack, particularly useful for smokable articles

(11) DM/68608
(73) SWATCH AG (SWATCH SA) (SWATCH LTD.)
94, Rue Jakob Stämpfli, CH-2502 BIENNE (CH)
(15) 2007 01 31
(24) 2007 01 31
(18) 2027 01 31
(28) 3
(28') 3
(54) Wristwatches

(11) DM/68610
(73) THE SWATCH GROUP MANAGEMENT SERVICES AG (THE SWATCH GROUP MANAGEMENT SERVICES SA) (THE SWATCH GROUP MANAGEMENT SERVICES LTD)
Seevorstadt 6, CH-2502 Biel/Bienne (CH)
(15) 2007 01 31
(24) 2007 01 31
(18) 2027 01 31
(28) 2
(28') 1
(54) Wristwatches

(11) DM/77257
(73) RADO UHREN AG (RADO WATCH CO. LTD.) (MONTRES RADO SA)
Bielstrasse 45, CH-2543 Lengnau (CH)
(15) 2011 12 12
(24) 2011 12 12
(18) 2026 12 12
(28) 3

(28') 2
(54) Wristwatches

(11) DM/77395
(73) ELECTROLUX HOME PRODUCTS CORPORATION N.V.
B-1130 Raketstraat 40, 1130 Brussel (BX)
(15) 2011 12 22
(24) 2011 12 22
(18) 2026 12 22
(28) 14
(28') 14
(54) Ovens (cooking), Parts of ovens (cooking)

(11) DM/77483
(73) TISSOT SA (TISSOT AG) (TISSOT LTD)
Chemin des Tourelles 17, CH-2400 Le Locle (CH)
(15) 2012 01 11
(24) 2012 01 11
(18) 2027 01 11
(28) 5
(28') 5
(54) Watch cases, Watch case with bracelet

(11) DM/77485
(73) BLANCPAIN SA
Le Rocher 12, CH-1348 LE BRASSUS (CH)
(15) 2012 01 11
(24) 2012 01 11
(18) 2027 01 11
(28) 1
(28') 1
(54) Dial

(11) DM/77535
(73) GLASHÜTTER UHRENBETRIEB GMBH
Altenberger Str. 1, 01768 Glashütte (DE)
(15) 2012 01 20
(24) 2012 01 20
(18) 2027 01 20
(28) 1
(28') 1
(54) Dial

(11) DM/77571
(73) TISSOT SA (TISSOT AG) (TISSOT LTD)
Chemin des Tourelles 17, CH-2400 Le Locle (CH)
(15) 2012 01 16
(24) 2012 01 16
(18) 2027 01 16
(28) 3
(28') 2
(54) Watch bracelet, Watch cases

(11) DM/77572
(73) TISSOT SA (TISSOT AG) (TISSOT LTD)
Chemin des Tourelles 17, CH-2400 Le Locle (CH)
(15) 2012 01 16
(24) 2012 01 16
(18) 2027 01 16
(28) 5
(28') 3
(54) Watch bracelets, Watch cases, Watch case with bracelet

(11) DM/77573
(73) TISSOT SA (TISSOT AG) (TISSOT LTD)
Chemin des Tourelles 17, CH-2400 Le Locle (CH)
(15) 2012 01 16
(24) 2012 01 16
(18) 2027 01 16
(28) 3
(28') 3
(54) Watch bracelet, Watch cases with bracelets

(11) DM/77599
(73) GLASHÜTTER UHRENBETRIEB GMBH
Altenberger Str. 1, 01768 Glashütte (DE)
(15) 2012 01 31
(24) 2012 01 31
(18) 2027 01 31
(28) 3
(28') 3
(54) Dials

(11) DM/78416
(73) SOREMARTEC S.A.
Rue Joseph Netzer 5, B-6700 ARLON (BX)
(15) 2011 11 25
(24) 2011 11 25
(18) 2026 11 25
(28) 12
(28') 12
(54) Confectionery products

(11) DM/78615
(73) SOREMARTEC S.A.
Rue Joseph Netzer 5, B-6700 ARLON (BX)
(15) 2011 11 21
(24) 2011 11 21
(18) 2026 11 21
(28) 26
(28') 14
(54) Bags [packaging], Bottle holder [packaging], Bottle packaging, Container [packaging], Containers [packaging], Jar [packaging], Packaging, Shaped wrapping [packaging], Shaped wrappings [packaging]

(11) DM/93960
(73) PEUGEOT CITROËN AUTOMOBILES SA
Route de Gisy, F-78140 VELIZY-VILLACOUBLAY (FR)
(15) 2016 12 16
(24) 2016 12 16
(18) 2026 12 16
(28) 2
(28') 2
(54) Calandres pour véhicules automobiles

(11) DM/94101
(73) OMEGA SA (OMEGA AG) (OMEGA LTD.)
Jakob-Stämpfli-Strasse 96, CH-2502 Biel/Bienne (CH)
(15) 2016 12 29
(24) 2016 12 29
(18) 2026 12 29
(28) 2
(28') 2
(54) Dial, Watch case

(11) DM/94208
(73) HAMILTON INTERNATIONAL AG (HAMILTON INTERNATIONAL SA) (HAMILTON INTERNATIONAL LTD)
Mattenstrasse 149, CH-2503 Biel/Bienne (CH)
(15) 2017 01 09
(24) 2017 01 09
(18) 2027 01 09
(28) 15
(28') 13
(54) Dials, Watch case

(11) DM/94224
(73) RADO UHREN AG (RADO WATCH CO. LTD.) (MONTRES RADO SA)
RADO UHREN AG (RADO WATCH CO. LTD.) (MONTRES RADO SA) (CH)
(15) 2017 01 11
(24) 2017 01 11
(18) 2027 01 11
(28) 1
(28') 1
(54) Wristwatch

(11) DM/94226
(73) HARRY WINSTON SA
Chemin du Tourbillon 8, CH-1228 Plan-les-Ouates (CH)
(15) 2017 01 13
(24) 2017 01 13
(18) 2027 01 13
(28) 2
(28') 2
(54) Dials

(11) DM/94257
(73) HAMILTON INTERNATIONAL AG (HAMILTON INTERNATIONAL SA)
(HAMILTON INTERNATIONAL LTD)
Mattenstrasse 149, CH-2503 Biel/Bienne (CH)
(15) 2017 01 16
(24) 2017 01 16
(18) 2027 01 16
(28) 1
(28') 1
(54) Watch case

(11) DM/94349
(73) HARRY WINSTON SA
Chemin du Tourbillon 8, CH-1228 Plan-les-Ouates (CH)
(15) 2017 01 19
(24) 2017 01 19
(18) 2027 01 19
(28) 2
(28') 2
(54) Dial, Oscillating weight

(11) DM/94372
(73) PEUGEOT CITROËN AUTOMOBILES SA
F-78140 VELIZY-VILLACOUBLAY (FR)
(15) 2016 12 16
(24) 2016 12 16
(18) 2026 12 16
(28) 9
(28') 9
(54) Doors for motor vehicles, Exterior rearview mirror for motor vehicles,
Front wings for motor vehicles, Hood for motor vehicles, Rear bumper for motor vehicles,
Rear door for motor vehicles, Tailgate for motor vehicles

(11) DM/94524
(73) MONTRES JAQUET DROZ SA (MONTRES JAQUET DROZ AG) (MONTRES JAQUET DROZ LTD.)
Allée du Tourbillon 2, CH-2300 La Chaux-de-Fonds (CH)
(15) 2017 01 31
(24) 2017 01 31
(18) 2027 01 31
(28) 4
(28') 4
(54) Dials

(11) DM/94525
(73) ETA SA MANUFACTURE HORLOGÈRE SUISSE
Schild-Rust-Strasse 17, CH-2540 Grenchen (CH)
(15) 2017 01 31
(24) 2017 01 31
(18) 2027 01 31
(28) 13
(28') 13
(54) Wristwatches

(11) DM/94581
(73) KONINKLIJKE DOUWE EGBERTS B.V.
Oosterdoksstraat 80, NL-1011 DK Amsterdam (BX)
(15) 2016 12 06
(24) 2016 12 06
(18) 2026 12 06
(28) 2
(28') 2
(54) Coffee capsules

(11) DM/94671
(73) PEUGEOT CITROËN AUTOMOBILES SA
Route de Gisy, F-78140 VELIZY-VILLACOUBLAY (FR)
(15) 2016 12 16
(24) 2016 12 16
(18) 2026 12 16
(28) 9
(28') 9
(54) Vehicle headlights, Vehicle taillight

(11) DM/94842
(73) AXANOVA AG
Ottenhofenstrasse 110, CH-8738 Uetliburg (CH)
(15) 2017 02 17
(24) 2017 02 17
(18) 2027 02 17
(28) 1
(28') 1
(54) Warmer pads [medical]

(11) DM/95622
(73) VERED SHAMA HACOHEN
90 avenue Raymond Poincaré, F-75116 PARIS (FR)
(15) 2017 02 21
(24) 2017 02 21
(18) 2027 02 21
(28) 16
(28') 16
(54) Containers

TRADEMARKS**EXTENSION OF TERMS OF REGISTRATION**

(111) M 2002 14239 R2
 (156) 2002 01 08
 (186) 2032 01 08
 (732) SmithKline Beecham Limited
 980 Great West Road, Brentford,
 Middlesex TW8 9GS, United Kingdom

(111) M 2002 14515 R2
 (156) 2002 06 13
 (186) 2032 06 13
 (732) Richter Gedeon Nyrt.
 1103 Budapest, Gyömrői út 19-21, Hungary

(111) M 2002 14277 R2
 (156) 2002 02 01
 (186) 2032 02 01
 (732) Berlin-Chemie AG
 Glienicker Weg 125, D-12489, Berlin,
 Germany

(111) M 2002 14490 R2
 (156) 2002 06 13
 (186) 2032 06 13
 (732) Mars, Incorporated
 6885 Elm Street, McLean, Virginia
 22101-3883, USA

(111) M 2002 14278 R2
 (156) 2002 02 01
 (186) 2032 02 01
 (732) Berlin-Chemie AG
 Glienicker Weg 125, D-12489, Berlin,
 Germany

(111) M 2002 14492 R2
 (156) 2002 06 13
 (186) 2032 06 13
 (732) Mars, Incorporated
 6885 Elm Street, McLean, Virginia
 22101-3883, USA

(111) M 2002 14444 R2
 (156) 2002 05 01
 (186) 2032 05 01
 (732) Mars, Incorporated
 6885 Elm Street, McLean, Virginia
 22101-3883, USA

(111) M 2002 14525 R2
 (156) 2002 06 13
 (186) 2032 06 13
 (732) Richter Gedeon Nyrt.
 1103 Budapest, Gyömrői út 19-21, Hungary

(111) M 2002 14458 R2
 (156) 2002 05 24
 (186) 2032 05 24
 (732) Berlin-Chemie AG
 Glienicker Weg 125, D-12489, Berlin,
 Germany

(111) M 2002 14526 R2
 (156) 2002 06 13
 (186) 2032 06 13
 (732) Richter Gedeon Nyrt.
 1103 Budapest, Gyömrői út 19-21, Hungary

(111) M 2002 14457 R2
 (156) 2002 05 24
 (186) 2032 05 24
 (732) Berlin-Chemie AG
 Glienicker Weg 125, D-12489, Berlin,
 Germany

(111) M 2002 14585 R2
 (156) 2002 08 15
 (186) 2032 08 15
 (732) Mars, Incorporated
 6885 Elm Street, McLean, Virginia
 22101-3883, USA

(111) M 2002 14502 R2
 (156) 2002 06 13
 (186) 2032 06 13
 (732) Mars, Incorporated
 6885 Elm Street, McLean, Virginia
 22101-3883, USA

(111) M 2002 14632 R2
 (156) 2002 09 13
 (186) 2032 09 13
 (732) Mars, Incorporated
 6885 Elm Street, McLean, Virginia
 22101-3883, USA

(111) M 2002 14629 R2
 (156) 2002 09 13
 (186) 2032 09 13
 (732) Mars, Incorporated
 6885 Elm Street, McLean, Virginia
 22101-3883, USA

(111) M 2003 14920 R2
 (156) 2003 01 30
 (186) 2033 01 30
 (732) Mars, Incorporated
 6885 Elm Street, McLean, Virginia
 22101-3883, USA

(111) M 2011 21575 R1
 (156) 2011 06 27
 (186) 2031 06 27
 (732) JSC "Biochimpharm"
 Gotua St. 3, 0160, Tbilisi, Georgia

(111) M 2012 22446 R1
 (156) 2012 04 05
 (186) 2032 04 05
 (732) WM. Wrigley Jr. Company
 1132 West Blackhawk Street, Chicago,
 Illinois 60642, USA

(111) M 2012 22197 R1
 (156) 2012 01 18
 (186) 2032 01 18
 (732) AbbVie Biotechnology Ltd
 4th Floor, Washington House, 16 Church
 Street, Hamilton HM 11, Bermuda

(111) M 2012 22199 R1
 (156) 2012 01 18
 (186) 2032 01 18
 (732) AbbVie Inc., a corporation of the State of
 Delaware
 1 N. Waukegan Road, North Chicago,
 Illinois 60064, USA

(111) M 2012 22244 R1
 (156) 2012 02 03
 (186) 2032 02 03
 (732) AbbVie Inc., a corporation of the State of
 Delaware
 1 N. Waukegan Road, North Chicago,
 Illinois 60064, USA

(111) M 2012 22258 R1
 (156) 2012 02 03
 (186) 2032 02 03
 (732) MasterCard International Incorporated,
 a Delaware Corporation
 2000 Purchase Street, Purchase,
 New York 10577-2405, USA

(111) M 2012 22220 R1
 (156) 2012 01 18
 (186) 2032 01 18
 (732) I.W.S. Nominee Company Limited
 New Wing, Somerset House, Strand,
 London, England, WC2R 1LA, United
 Kingdom

(111) M 2012 22332 R1
 (156) 2012 02 24
 (186) 2032 02 24
 (732) Monster Energy Company,
 a Delaware corporation
 1 Monster Way, Corona, California
 92879, USA

(111) M 2012 22222 R1
 (156) 2012 01 18
 (186) 2032 01 18
 (732) Reemtsma Cigarettenfabriken GmbH
 Max-Born-Strasse 4, 22761 Hamburg,
 Germany

(111) M 2012 22337 R1
 (156) 2012 02 24
 (186) 2032 02 24
 (732) Abbott Laboratories
 100 Abbott Park Road, Abbott Park,
 Illinois 60064-6408, USA

(111) M 2012 22343 R1
 (156) 2012 02 24
 (186) 2032 02 24
 (732) Amgen Inc.
 One Amgen Center Drive, Thousand Oaks,
 California 91320-1799, USA

(111) M 2012 22345 R1
 (156) 2012 02 24
 (186) 2032 02 24
 (732) Fédération française de Football
 87 boulevard de Grenelle, 75738 Paris
 Cedex 15, France

(111) M 2012 22413 R1
(156) 2012 03 16
(186) 2032 03 16
(732) The Gillette Company LLC
One Gillette Park, Boston, Massachusetts
02127, USA

(111) M 2012 22285 R1
(156) 2012 02 03
(186) 2032 02 03
(732) The Gillette Company LLC
One Gillette Park, Boston, Massachusetts
02127, USA

(111) M 2012 22415 R1
(156) 2012 03 16
(186) 2032 03 16
(732) JSC "Insurance Company Unison"
Gamrekeli St. 19, floor 1, Saburtalo District,
Tbilisi, Georgia

(111) M 2012 22287 R1
(156) 2012 02 03
(186) 2032 02 03
(732) Nike Innovate C.V.
One Bowerman Drive, Beaverton, Oregon
97005-6453, USA

(111) M 2012 22364 R1
(156) 2012 02 24
(186) 2032 02 24
(732) Tenaris Connections BV
Locatellikatde 1, 1076 AZ Amsterdam,
Netherlands

(111) M 2012 22365 R1
(156) 2012 02 24
(186) 2032 02 24
(732) Tenaris Connections BV
Locatellikatde 1, 1076 AZ Amsterdam,
Netherlands

(111) M 2012 22366 R1
(156) 2012 02 24
(186) 2032 02 24
(732) Kabushiki Kaisha Toshiba
(also trading as Toshiba Corporation)
1-1, Shibaura 1-chome, Minato-ku, Tokyo,
Japan

(111) M 2012 22368 R1
(156) 2012 02 24
(186) 2032 02 24
(732) LTD "Tegeta Motors"
David Aghmashenebeli Alley 129, 0131,
Tbilisi, Georgia

(111) M 2012 22434 R1
(156) 2012 03 16
(186) 2032 03 16
(732) Costa Limited
Whitbread Court, Houghton Hall Business
Park, Porz Avenue, Dunstable, Bedfordshire
LU5 5XE, United Kingdom

(111) M 2012 22609 R1
(156) 2012 05 16
(186) 2032 05 16
(732) E.I. Du Pont De Nemours and Company
Chestnut Run Plaza, 974 Centre Road,
Wilmington, Delaware 19805, USA

(111) M 2012 22629 R1
(156) 2012 05 16
(186) 2032 05 16
(732) Diageo Brands B.V.
Molenwerf 10-12, 1014 BG Amsterdam,
Netherlands

(111) M 2012 22641 R1
(156) 2012 05 16
(186) 2032 05 16
(732) Mars, Incorporated
6885 Elm Street, McLean, Virginia
22101-3883, USA

(111) M 2012 22642 R1
(156) 2012 05 16
(186) 2032 05 16
(732) Berlin-Chemie AG
Glienicke Weg 125, 12489, Berlin,
Germany

(111) M 2012 22643 R1
(156) 2012 05 16
(186) 2032 05 16
(732) Berlin-Chemie AG
Glienicke Weg 125, 12489, Berlin,
Germany

(111) M 2012 22644 R1
(156) 2012 05 16
(186) 2032 05 16
(732) Berlin-Chemie AG
Glienicker Weg 125, 12489, Berlin,
Germany

(111) M 2012 22645 R1
(156) 2012 05 16
(186) 2032 05 16
(732) Berlin-Chemie AG
Glienicker Weg 125,12489, Berlin,
Germany

(111) M 2012 22831 R1
(156) 2012 07 30
(186) 2032 07 30
(732) Hilton Worldwide Manage Limited
Maple Court Central Park, Reeds Crescent,
Watford, WD24 4QQ, United Kingdom

(111) M 2012 22784 R1
(156) 2012 07 13
(186) 2032 07 13
(732) Hilton Worldwide Manage Limited
Maple Court Central Park, Reeds Crescent,
Watford, WD24 4QQ, United Kingdom

(111) M 2011 21660 R1
(156) 2011 07 26
(186) 2031 07 26
(732) PSL2021 Realisations Limited
FRP Advisory (london), Suite 2b, Johnston
House, 52-54 Rose Street, Aberdeen AB10
1UD, United Kingdom

(111) M 2012 22791 R1
(156) 2012 07 13
(186) 2032 07 13
(732) Berlin-Chemie AG
Glienicker Weg 125, 12489, Berlin,
Germany

(111) M 2012 22792 R1
(156) 2012 07 13
(186) 2032 07 13
(732) Berlin-Chemie AG
Glienicker Weg 125, 12489, Berlin,
Germany

(111) M 2012 22793 R1
(156) 2012 07 13
(186) 2032 07 13
(732) Berlin-Chemie AG
Glienicker Weg 125, 12489, Berlin,
Germany

(111) M 2012 22794 R1
(156) 2012 07 13
(186) 2032 07 13
(732) Berlin-Chemie AG
Glienicker Weg 125, 12489, Berlin,
Germany

(111) M 2012 22795 R1
(156) 2012 07 13
(186) 2032 07 13
(732) Berlin-Chemie AG
Glienicker Weg 125, 12489, Berlin,
Germany

(111) M 2012 22796 R1
(156) 2012 07 13
(186) 2032 07 13
(732) Berlin-Chemie AG
Glienicker Weg 125, 12489, Berlin,
Germany

(111) M 2012 23083 R1
(156) 2012 11 12
(186) 2032 11 12
(732) Mars, Incorporated
6885 Elm Street, McLean, Virginia
22101-3883, USA

(111) M 2012 23202 R1
(156) 2012 12 10
(186) 2032 12 10
(732) Berlin-Chemie AG
Glienicker Weg 125, 12489, Berlin,
Germany

(111) M 2012 23153 R1
(156) 2012 12 10
(186) 2032 12 10
(732) Berlin-Chemie AG
Glienicker Weg 125, 12489, Berlin,
Germany

(111) M 2012 22300 R1
(156) 2012 02 14
(186) 2032 02 14
(732) HBI Europe GmbH
Luxemburger Straße 19, 41812 Erkelenz,
Germany

(111) M 2012 23207 R1
(156) 2012 12 14
(186) 2032 12 14
(732) LTD "Neogaz"
Gazapkhuli St. 18, Tbilisi, Georgia

(111) M 2012 23208 R1
(156) 2012 12 14
(186) 2032 12 14
(732) LTD "Neogaz"
Gazapkhuli St. 18, Tbilisi, Georgia

(111) M 2012 23227 R1
(156) 2012 12 24
(186) 2032 12 24
(732) LTD "Ipkli"
Kharadze St. 2a, Gldani district, Tbilisi,
Georgia

COMPLETE TRANSFER OF RIGHTS

(111) M 1996 1919 R
(732) Siemens Energy Global GmbH & Co. KG
Otto-Hahn-Ring 6, 81739 München, Germany
(770) Siemens Aktiengesellschaft
Werner-von-Siemens-Str. 1, 80333 München,
Germany
(580) 2021 12 23

(111) M 1999 11513 R
(732) ASP Global Manufacturing GmbH (a Swiss
limited liability company)
Im Majorenacker, 10, Schaffhausen 8207,
Switzerland
(770) Johnson & Johnson
One Johnson & Johnson Plaza, New
Brunswick, New Jersey 08933, USA
(580) 2022 01 24

(111) M 1998 11196 R
(732) ASP Global Manufacturing GmbH (a Swiss
limited liability company)
Im Majorenacker, 10, Schaffhausen 8207,
Switzerland
(770) Johnson & Johnson
One Johnson & Johnson Plaza, New
Brunswick, New Jersey 08933, USA
(580) 2022 01 24

(111) M 1999 11535 R
(732) ASP Global Manufacturing GmbH (a Swiss
limited liability company)
Im Majorenacker, 10, Schaffhausen 8207,
Switzerland
(770) Johnson & Johnson
One Johnson & Johnson Plaza, New
Brunswick, New Jersey 08933, USA
(580) 2022 01 24

(111) M 1996 2342 R
(732) ASP Global Manufacturing GmbH (a Swiss
limited liability company)
Im Majorenacker, 10, Schaffhausen 8207,
Switzerland
(770) Johnson & Johnson
One Johnson & Johnson Plaza, New
Brunswick, New Jersey 08933, USA
(580) 2022 01 24

(111) M 2012 23227 R
(732) LTD "Ipkli"
Kharadze St. 2a, Gldani district, Tbilisi,
Georgia
(770) LTD "Ipkli"
Ak. Tseretli Av. 11, 0112, Tbilisi, Georgia
(580) 2021 12 30

(111) M 1998 10366 R
(732) ASP Global Manufacturing GmbH (a Swiss
limited liability company)
Im Majorenacker, 10, Schaffhausen 8207,
Switzerland
(770) Johnson & Johnson, a Corporation the
state of New Jersey
One Johnson & Johnson Plaza, New
Brunswick, New Jersey, USA
(580) 2022 01 24

(111) M 1999 12274 R
(732) ASP Global Manufacturing GmbH (a Swiss
limited liability company)
Im Majorenacker, 10, Schaffhausen 8207,
Switzerland
(770) Johnson & Johnson
One Johnson & Johnson Plaza, New
Brunswick, New Jersey 08933, USA
(580) 2022 01 24

CHANGES OF NAMES AND/OR ADDRESSES OF TRADEMARKS OWNER

-
- (111) M 1994 156 R
(732) TotalEnergies Holdings
2, place Jean Millier, La Defense 6,
F-92400 Courbevoie, France
(770) Total Holdings SAS
2, place Jean Millier, La Defense 6,
F-92400 Courbevoie, France
(580) 2022 01 28
-
- (111) M 2021 34768 R
(732) LTD "Dizi"
Vazha-Pshavela Av., 71, Office 33, fl. 6,
(Block 1), Vake District, Tbilisi, Georgia
(770) LLC "Pinriva"
Vill. Mukhatskaro, St. 3, 24a, Mtskheta,
Georgia
(580) 2021 12 27
-
- (111) M 1998 9781 R
(732) Ifit Inc.
1500 South 1000 West, Logan, Utah
84321, USA
(770) Icon Health & Fitness Inc.
1500 South 1000 West, Logan, Utah
84321, USA
(580) 2021 12 09
-
- (111) M 1998 9782 R
(732) Ifit Inc.
1500 South 1000 West, Logan, Utah
84321, USA
(770) Icon Health & Fitness Inc.
1500 South 1000 West, Logan, Utah
84321, USA
(580) 2021 12 09
-
- (111) M 2012 22446 R
(732) WM. Wrigley Jr. Company
1132 West Blackhawk Street, Chicago,
Illinois 60642, USA
(770) WM. Wrigley Jr. Company
410 North Michigan Avenue, Chicago,
Illinois 60611, USA
(580) 2022 01 13
-
- (111) M 2012 22197 R
(732) AbbVie Biotechnology LTD
4th Floor, Washington House, 16 Church
Street, Hamilton HM 11, Bermuda
(770) AbbVie Biotechnology Ltd
Clarendon House, 2 Church Street, Hamilton
HM 11, Bermuda
(580) 2022 01 24
-
- (111) M 2012 22220 R
(732) I.W.S. Nominee Company Limited
New Wing, Somerset House, Strand,
London, England, WC2R 1LA, United
Kingdom
(770) I.W.S. Nominee Company Limited
100 New Bridge street, London EC4V 6JA,
United Kingdom
(580) 2022 01 21
-
- (111) M 2012 22415 R
(732) JSC "Insurance Company Unison"
Gamrekeli St. 19, fl. 1, Saburtalo District,
Tbilisi, Georgia
(770) LLC "Insurance Company Unison"
Petriashvili St. 1, 0179, Tbilisi, Georgia
(580) 2022 01 13
-
- (111) M 2012 22609 R
(732) E.I. Du Pont De Nemours and Company
Chestnut Run Plaza, 974 Centre Road,
Wilmington, Delaware 19805, USA
(770) E.I. Du Pont De Nemours and Company
1007 Market Street, Wilmington,
De 19898, USA
(580) 2022 01 25
-
- (111) M 2015 26348 R
(732) Ifit Inc.
1500 South 1000 West, Logan, Utah
84321, USA
(770) Icon Health & Fitness Inc.
1500 South 1000 West, Logan, Utah
84321, USA
(580) 2021 12 09
-
- (111) M 2015 26127 R
(732) Ifit Inc.
1500 South 1000 West, Logan, Utah
84321, USA
(770) Icon Health & Fitness Inc.
1500 South 1000 West, Logan, Utah
84321, USA
(580) 2021 12 09
-

(111) M 2015 26421 R
(732) Ifit Inc.
1500 South 1000 West, Logan, Utah
84321, USA
(770) Icon Health & Fitness Inc.
1500 South 1000 West, Logan, Utah
84321, USA
(580) 2021 12 09

CANCELLATION OF TRADEMARKS REGISTRATION

(111) M 2001 13969 R
(151) 2001 07 20
(732) Philip Morris Products S.A.
Quai Jeanrenaud 3, CH-2000 Neuchatel,
Switzerland
(141) 2022 01 28

(111) M 2001 13965 R
(151) 2001 07 20
(732) LEB "Cartu Universal"
Kakheti Pighway II Lane 11, 0120,
Tbilisi Georgia
(141) 2022 01 28

(111) M 2001 13962 R
(151) 2001 07 20
(732) LEB "Cartu Universal"
Kakheti Pighway II Lane 11, 0120,
Tbilisi Georgia
(141) 2022 01 28

(111) M 2011 21598 R
(151) 2011 07 13
(732) JSC "Tbilghvino"
Sarajishvili Av. 2, 0153, Tbilisi,
Georgia
(141) 2022 01 21

(111) M 2001 13968 R
(151) 2001 07 20
(732) LEB "Cartu Universal"
Kakheti Pighway II Lane 11, 0120,
Tbilisi Georgia
(141) 2022 01 28

(111) M 2011 21599 R
(151) 2011 07 13
(732) LTD "Georgian Tradition"
Iakob Nikoladze St. 5a, 0109, Tbilisi,
Georgia
(141) 2022 01 21

(111) M 2001 13963 R
(151) 2001 07 20
(732) LEB "Cartu Universal"
Kakheti Pighway II Lane 11, 0120,
Tbilisi Georgia
(141) 2022 01 28

(111) M 2011 21600 R
(151) 2011 07 13
(732) Harrington Development Inc.
Arango-Orillac Bldg. East 54th street,
Panama, Republic of Panama
(141) 2022 01 21

(111) M 2001 13964 R
(151) 2001 07 20
(732) LEB "Cartu Universal"
Kakheti Pighway II Lane 11, 0120,
Tbilisi Georgia
(141) 2022 01 28

(111) M 2011 21602 R
(151) 2011 07 13
(732) Allied Global Tobacco Limited
Wey Court West, Union Road, Farnham,
GU9 7PT Surrey, United Kingdom
(141) 2022 01 21

(111) M 2011 21640 R
(151) 2011 07 22
(732) JSC "GPC"
K. Marjanishvili St. 26, 0164, Tbilisi,
Georgia
(141) 2022 01 31

(111) M 2011 21603 R
(151) 2011 07 13
(732) Harrington Development Inc.
Arango-Orillac Bldg. East 54th street,
Republic of Panama
(141) 2022 01 21

(111) M 2011 21604 R
(151) 2011 07 13
(732) LTD "Naqa"
Station Lilo 51, 0198, Tbilisi,
Georgia
(141) 2022 01 21

(111) M 2011 21605 R
(151) 2011 07 13
(732) LTD "Naqa"
Station Lilo 51, 0198, Tbilisi,
Georgia
(141) 2022 01 21

(111) M 2011 21606 R
(151) 2011 07 13
(732) Harrington Development Inc.
Arango-Orillac Bldg. East 54th street,
Panama, Republic of Panama
(141) 2022 01 21

(111) M 2011 21607 R
(151) 2011 07 13
(732) Harrington Development Inc.
Arango-Orillac Bldg. East 54th street,
Panama, Republic of Panama
(141) 2022 01 21

(111) M 2011 21608 R
(151) 2011 07 13
(732) Harrington Development Inc.
Arango-Orillac Bldg. East 54th street,
Panama, Republic of Panama
(141) 2022 01 21

(111) M 2011 21609 R
(151) 2011 07 13
(732) Harrington Development Inc.

Arango-Orillac Bldg. East 54 th street,
Panama, Republic of Panama
(141) 2022 01 21

(111) M 2011 21610 R
(151) 2011 07 13
(732) Iagor Kuzanov
D. Aghmashenebeli Av. 114, 0112, Tbilisi,
Georgia;
Aleksandr Kuzanov
K. K. Marjanishvili St. 42, 0112, Tbilisi,
Georgia;
Ivan Kuzanov
K. K. Marjanishvili St. 42, 0112, Tbilisi,
Georgia
(141) 2022 01 21

(111) M 2011 21611 R
(151) 2011 07 13
(732) LTD "M.L.M."
A. Tsereteli Av. 12, app. 12, 0112, Tbilisi,
Georgia
(141) 2022 01 21

(111) M 2011 21613 R
(151) 2011 07 13
(732) JSC "GPC"
K. K. Marjanishvili St. 26, 0102, Tbilisi,
Georgia
(141) 2022 01 21

(111) M 2011 21616 R
(151) 2011 07 13
(732) JSC "GPC"
K. Marjanishvili St. 26, 0102, Tbilisi, Georgia
(141) 2022 01 21

(111) M 2011 21614 R
(151) 2011 07 13
(732) JSC "GPC"
K. Marjanishvili St. 26, 0102, Tbilisi, Georgia
(141) 2022 01 21

(111) M 2011 21615 R
(151) 2011 07 13
(732) Harrington Development Inc.
Elvira Mendez Street, Vallarino bldg.,
3rd Floor, Panama, Republic of Panama
(141) 2022 01 21

(111) M 2011 21641 R
 (151) 2011 07 22
 (732) Salome Tsvitsivadze
 Tatishvili St. 19, app. 50, 0179, Tbilisi,
 Georgia
 (141) 2022 01 31

(111) M 2011 21617 R
 (151) 2011 07 13
 (732) LTD "Haidelbergcement Georgia"
 Al. Kazbegi Av. 21, 0160, Tbilisi, Georgia
 (141) 2022 01 21

(111) M 2011 21642 R
 (151) 2011 07 22
 (732) Swiss Pharma International AG
 Waldmannstrasse 8, 8001 Zurich, Switzerland
 (141) 2022 01 31

(111) M 2011 21645 R
 (151) 2011 07 22
 (732) Levan Alavidze
 Ip. Khvichia St. 17, app. 12, 0160, Tbilisi,
 Georgia
 (141) 2022 01 31

(111) M 2011 21618 R
 (151) 2011 07 13
 (732) LTD "Style"
 Iliа Chavchavadze Av. 43, 0162, Tbilisi,
 Georgia
 (141) 2022 01 21

(111) M 2011 21619 R
 (151) 2011 07 13
 (732) LTD "Style"
 Iliа Chavchavadze Av. 43, 0162, Tbilisi,
 Georgia
 (141) 2022 01 21

(111) M 2011 21621 R
 (151) 2011 07 13
 (732) Diageo Scotland Limited
 Edinburgh Park, 5 Lochsidw Way,
 Edinburgh, EH12 9DT Scotland,
 United Kingdom
 (141) 2022 01 21

(111) M 2011 21622 R
 (151) 2011 07 13
 (732) LTD "Iveriapharma"
 Tskneti, Zone "B" 7, 0181, Tbilisi, Georgia
 (141) 2022 01 21

(111) M 2011 21623 R
 (151) 2011 07 13
 (732) LTD "Via Georgian Trading"
 Kazbegi Av. 14, app. 19, 0160, Tbilisi,
 Georgia
 (141) 2022 01 21

(111) M 2011 21646 R
 (151) 2011 07 22
 (732) Levan Potaskaev
 Karkhana St. 20, 6600, Sokhumi, Georgia
 (141) 2022 01 31

(111) M 2011 21647 R
 (151) 2011 07 22
 (732) LTD "Tabla"
 Guramishvili Av. 39b, 0178, Tbilisi, Georgia
 (141) 2022 01 31

(111) M 2011 21648 R
 (151) 2011 07 22
 (732) Fronteras Holdings Ltd
 60 Market Square, P.O. Box 364, Belize city,
 Belize
 (141) 2022 01 31

(111) M 2011 21624 R
 (151) 2011 07 13
 (732) Dianatus Management Limited
 Arch. Makariou III, 69, Tlais Tower,
 3rd floor, Flat/Office 301, 1070, Nicosia,
 Cyprus
 (141) 2022 01 21

(111) M 2011 21625 R
 (151) 2011 07 13
 (732) Dianatus Management Limited
 Arch. Makariou III, 69, Tlais Tower, 3
 rd floor, Flat/Office 301, 1070, Nicosia,
 Cyprus
 (141) 2022 01 21

(111) M 2011 21632 R
(151) 2011 07 13
(732) LTD "G-M-C Group"
Sanapiro St. 3, 0105, Tbilisi, Georgia
(141) 2022 01 21

(111) M 2011 21650 R
(151) 2011 07 22
(732) Fair trees Trademarks ApS
Løvetvej 30, Grædstrup, 8740 Brædstrup,
Denmark
(141) 2022 01 31

(111) M 2011 21633 R
(151) 2011 07 13
(732) LTD "BTM Textile"
Melikishvili St. 25, app. 3, 6000, Batumi,
Georgia
(141) 2022 01 21

(111) M 2011 21634 R
(151) 2011 07 13
(732) LTD "Mood"
Melikishvili St. 25, app. 3, 6000, Batumi,
Georgia
(141) 2022 01 21

(111) M 2011 21651 R
(151) 2011 07 22
(732) LTD "Provizia"
I. Petritsi St. 6, app. 139, 0131, Georgia
(141) 2022 01 31

(111) M 2011 21635 R
(151) 2011 07 13
(732) General Motors LLC
300 Renaissance Center, City of Detroit,
State of Michigan 48265-3000, USA
(141) 2022 01 21

(111) M 2011 21636 R
(151) 2011 07 13
(732) LTD "Aversi-Pharma"
Davit Aghmashenebeli Av. 148/2, 0112,
Tbilisi, Georgia
(141) 2022 01 21

(111) M 2011 21637 R
(151) 2011 07 13
(732) LTD "Aversi-Pharma"
Davit Aghmashenebeli Av. 148/2, 0112,
Tbilisi, Georgia
(141) 2022 01 21

(111) M 2011 21653 R
(151) 2011 07 22
(732) LTD "New Light"
Al. Kazbegi Av. 25a, 0160, Tbilisi, Georgia
(141) 2022 01 31

(111) M 2011 21654 R
(151) 2011 07 22
(732) GlaxoSmithKline Trading Services Limited
Currabinny, Carrigaline, County Cork,
Ireland
(141) 2022 01 31

(111) M 2011 21655 R
(151) 2011 07 22
(732) Japan Tobacco Inc.
2-2-1, Toranomom, Minato-ku, Tokyo,
Japan
(141) 2022 01 31

(111) M 2011 21657 R
(151) 2011 07 22
(732) Philip Morris Products S. A.
Quai Jeanrenaud 3, CH-2000 Neuchatel,
Switzerland
(141) 2022 01 31

(111) M 2011 21658 R
(151) 2011 07 22
(732) LTD "Lux 2004"
Tevdore Mghvdeli St. 53, 0154, Tbilisi,
Georgia
(141) 2022 01 31

(111) M 2011 21597 R
(151) 2011 07 11
(732) LTD "SuperBet 2014"
Oniashvili St. 1, Tbilisi, Georgia
(141) 2022 01 21

REGISTRATION OF LICENS AGREEMENTS

(111) M 2020 33078 R
(732) Faba International Fze
P.O. Box: Office LB04128, Jebel Ali Free
Zone, Dubai, United Arab Emirates
(791) LTD "Dapna"
Lilo Settlement (Plus 05/004), Isani-Samgori
District, Tbilisi, Georgia
(793) №1667
25 01 2022 – 02 09 2030 Special
Klass: 30, 35

(111) M 2020 33079 R
(732) Faba International Fze
P.O. Box: Office LB04128, Jebel Ali Free
Zone, Dubai, United Arab Emirates
(791) LTD "Dapna"
Lilo Settlement (Plus 05/004), Isani-Samgori
District, Tbilisi, Georgia
(793) №1668
25 01 2022 – 02 09 2030 Special
Klass: 30, 35

(111) M 2020 33080 R
(732) Faba International Fze
P.O. Box: Office LB04128, Jebel Ali Free
Zone, Dubai, United Arab Emirates
(791) LTD "Dapna"
Lilo Settlement (Plus 05/004), Isani-Samgori
District, Tbilisi, Georgia
(793) №1669
25 01 2022 – 02 09 2030 Special
Klass: 30, 35

(111) M 2015 26163 R
(732) Intersun Holding FZCO
P.O. Box: 61051, Jebel Ali Free Zone, United
Arab Emirates
(791) LTD "Dapna"
Lilo Settlement (Plus 05/004), Isani-Samgori
District, Tbilisi, Georgia
(793) №1670
25 01 2022 – 28 07 2025 Special
Klass: 16, 29, 30, 35

(111) M 2019 31515 R
(732) Adama Makhteshim LTD
P.O. Box 60, Beer Sheva 8410001, Israel
(791) LTD "Agrokartli"
Tskhinvali Highway 4, 1400 Gori, Georgia

(793) №1674
25 01 2022 – 25 01 2024 Exclusive
Klass: 5

(111) M 2019 31516 R
(732) Adama Makhteshim LTD
P.O. Box 60, Beer Sheva 8410001, Israel
(791) LTD "Agrokartli"
Tskhinvali Highway 4, 1400 Gori, Georgia
(793) №1673
25 01 2022 – 25 01 2024 Special
Klass: 5

(111) M 2019 31994 R
(732) Adama Makhteshim LTD
P.O. Box 60, Beer Sheva 8410001, Israel
(791) LTD "Agrokartli"
Tskhinvali Highway 4, 1400 Gori, Georgia
(793) №1675
25 01 2022 – 25 01 2024 Exclusive
Klass: 5

(111) M 2019 31996 R
(732) Adama Makhteshim LTD
P.O. Box 60, Beer Sheva 8410001, Israel
(791) LTD "Agrokartli"
Tskhinvali Highway 4, 1400 Gori, Georgia
(793) №1676
25 01 2022 – 25 01 2024 Exclusive
Klass: 5

(111) M 2019 31997 R
(732) Adama Makhteshim LTD
P.O. Box 60, Beer Sheva 8410001, Israel
(791) LTD "Agrokartli"
Tskhinvali Highway 4, 1400 Gori, Georgia
(793) №1677
25 01 2022 – 25 01 2024 Exclusive
Klass: 5

(111) M 2019 31998 R
(732) Adama Makhteshim LTD
P.O. Box 60, Beer Sheva 8410001, Israel
(791) LTD "Agrokartli"
Tskhinvali Highway 4, 1400 Gori, Georgia
(793) №1678
25 01 2022 – 25 01 2024 Exclusive
Klass: 5

(111) M 2019 32001 R
(732) Adama Makhteshim LTD
P.O. Box 60, Beer Sheva 8410001, Israel
(791) LTD "Agrokartli"
Tskhinvali Highway 4, 1400 Gori, Georgia
(793) №1679
25 01 2022 – 25 01 2024 Exclusive
Klass: 5

(111) M 2019 32003 R
(732) Adama Makhteshim LTD
P.O. Box 60, Beer Sheva 8410001, Israel
(791) LTD "Agrokartli"
Tskhinvali Highway 4, 1400 Gori, Georgia
(793) №1680
25 01 2022 – 25 01 2024 Exclusive
Klass: 5

(111) M 2019 32005 R
(732) Adama Makhteshim LTD
P.O. Box 60, Beer Sheva 8410001, Israel
(791) LTD "Agrokartli"
Tskhinvali Highway 4, 1400 Gori, Georgia
(793) №1681
25 01 2022 – 25 01 2024 Exclusive
Klass: 5

(111) M 2019 31909 R
(732) Adama Agan LTD
P.O. Box 262, Northern Industrial Zone,
Ashdod 7710201, Israel
(791) LTD "Agrokartli"
Tskhinvali Highway 4, 1400 Gori, Georgia
(793) №1671
25 01 2022 – 25 01 2024 Exclusive
Klass: 5

(111) M 2019 31910 R
(732) Adama Agan LTD
P.O. Box 262, Northern Industrial Zone,
Ashdod 7710201, Israel
(791) LTD "Agrokartli"
Tskhinvali Highway 4, 1400 Gori, Georgia
(793) 1672
25 01 2022 – 25 01 2024 Special
Klass: 5

CLASSIFICATION INDEXES

INVENTIONS

CONCORDANCE TABLE OF INTERNATIONAL CLASSIFICATION INDEX AND PUBLICATION NUMBERS

INTERNATIONAL CLASSIFICATION INDEXES (51)	NUMBER OF PUBLISHED APPLICATION (10)
A 61 K 8/23; A 61 K 31/10; A 61 K 31/07; A 61 K 31/19; A 61 K 31/375; A 61 K 33/24; A 61 K 8/362; A 61 K 8/365; A 61 K 8/67; A 61 K 31/28; A 61 P 17/06; A 61 P 17/08; A 61 P 17/00; A 61 Q 17/00; A 61 Q 19/00	AP 2022 15466 A
A 61 K 47/68; A 61 K 39/395; C 07 K 16/28	AP 2022 14922 A
B 21 C 5/00; B 21 J 7/16	AP 2022 15566 A
C 07 K 16/44; C 07 K 16/18	AP 2022 15170 A

CONCORDANCE TABLE OF PUBLICATION NUMBERS AND INTERNATIONAL CLASSIFICATION INDEX

NUMBER OF PUBLISHED APPLICATION (10)	INTERNATIONAL CLASSIFICATION INDEXES (51)
AP 2022 14922 A	A 61 K 47/68; A 61 K 39/395; C 07 K 16/28
AP 2022 15170 A	C 07 K 16/44; C 07 K 16/18
AP 2022 15466 A	A 61 K 8/23; A 61 K 31/10; A 61 K 31/07; A 61 K 31/19; A 61 K 31/375; A 61 K 33/24; A 61 K 8/362; A 61 K 8/365; A 61 K 8/67; A 61 K 31/28; A 61 P 17/06; A 61 P 17/08; A 61 P 17/00; A 61 Q 17/00; A 61 Q 19/00
AP 2022 15566 A	B 21 C 5/00; B 21 J 7/16

CONCORDANCE TABLE OF INTERNATIONAL CLASSIFICATION INDEX, PATENT NUMBERS AND PUBLICATION NUMBERS

INTERNATIONAL CLASSIFICATION INDEX (51)	NUMBER OF PATENT (11)	NUMBER OF PUBLISHED APPLICATION (10)
A 61 K 39/00; A 61 K 9/16	P 2022 7351 B	AP 2021 15318 A
C 02 F 1/52	P 2022 7348 B	AP 2021 15036 A
E 02 D 17/20; E 02 D 29/02	P 2022 7349 B	AP 2021 14774 A
E 06 B 11/02	P 2022 7346 B	AP 2021 15149 A
F 41 H 1/02	P 2022 7350 B	AP 2021 14161 A
G 07 C 13/00	P 2022 7347 B	AP 2021 15364 A

**CONCORDANCE TABLE OF PATENT NUMBERS,
PUBLICATION NUMBERS AND INTERNATIONAL CLASSIFICATION INDEX**

NUMBER OF PATENT (11)	NUMBER OF PUBLISHED APPLICATION (10)	INTERNATIONAL CLASSIFICATION INDEX (51)
P 2022 7346 B	AP 2021 15149 A	E 06 B 11/02
P 2022 7347 B	AP 2021 15364 A	G 07 C 13/00
P 2022 7348 B	AP 2021 15036 A	C 02 F 1/52
P 2022 7349 B	AP 2021 14774 A	E 02 D 17/20; E 02 D 29/02
P 2022 7350 B	AP 2021 14161 A	F 41 H 1/02
P 2022 7351 B	AP 2021 15318 A	A 61 K 39/00; A 61 K 9/16

**CONCORDANCE TABLE OF APPLICATION NUMBERS,
PUBLICATION NUMBERS AND PATENTS**

NUMBER OF APPLICATION (21)	NUMBER OF PUBLISHED APPLICATION (10)	NUMBER OF PATENT (11)
AP 2016 14161	AP 2021 14161 A	P 2022 7350 B
AP 2016 14774	AP 2021 14774 A	P 2022 7349 B
AP 2019 15036	AP 2021 15036 A	P 2022 7348 B
AP 2019 15149	AP 2021 15149 A	P 2022 7346 B
AP 2018 15318	AP 2021 15318 A	P 2022 7351 B
AP 2020 15364	AP 2021 15364 A	P 2022 7347 B

UTILITY MODELS

**CONCORDANCE TABLE OF INTERNATIONAL CLASSIFICATION INDEX
AND PUBLICATION NUMBERS**

INTERNATIONAL CLASSIFICATION INDEXES (51)	NUMBER OF PUBLISHED APPLICATION (10)
A 01 C 9/06	AU 2022 15775 U
G 09 F 19/00	AU 2022 15550 U

**CONCORDANCE TABLE OF PUBLICATION NUMBERS
AND INTERNATIONAL CLASSIFICATION INDEX**

NUMBER OF PUBLISHED APPLICATION (10)	INTERNATIONAL CLASSIFICATION INDEXES (51)
AU 2022 15550 U	G 09 F 19/00
AU 2022 15775 U	A 01 C 9/06

**CONCORDANCE TABLE OF INTERNATIONAL CLASSIFICATION INDEX,
PATENT NUMBERS AND PUBLICATION NUMBERS**

INTERNATIONAL CLASSIFICATION INDEX (51)	NUMBER OF PATENT (11)	NUMBER OF PUBLISHED APPLICATION (10)
A 01 K 67/033	U 2022 2108 Y	AU 2021 15477 U
C 05 G 3/00	U 2022 2107 Y	AU 2021 15374 U

**CONCORDANCE TABLE OF PATENT NUMBERS,
PUBLICATION NUMBERS AND INTERNATIONAL CLASSIFICATION INDEX**

NUMBER OF PATENT (11)	NUMBER OF PUBLISHED APPLICATION (10)	INTERNATIONAL CLASSIFICATION INDEX (51)
U 2022 2107 Y	AU 2021 15374 U	C 05 G 3/00
U 2022 2108 Y	AU 2021 15477 U	A 01 K 67/033

**CONCORDANCE TABLE OF APPLICATION NUMBERS,
PUBLICATION NUMBERS AND PATENTS**

NUMBER OF APPLICATION (21)	NUMBER OF PUBLISHED APPLICATION (10)	NUMBER OF PATENT (11)
AU 2020 15374	AU 2021 15374 U	U 2022 2107 Y
AU 2020 15477	AU 2021 15477 U	U 2022 2108 Y

DESIGNS

**CONCORDANCE TABLE OF INTERNATIONAL CLASSIFICATION INDEX
AND PUBLICATION NUMBERS**

INTERNATIONAL CLASSIFICATION INDEXES (51)	NUMBER OF PUBLISHED APPLICATION (10)
27-99	AD 2022 1236 S

**CONCORDANCE TABLE OF PUBLICATION NUMBERS
AND INTERNATIONAL CLASSIFICATION INDEX**

NUMBER OF PUBLISHED APPLICATION (10)	INTERNATIONAL CLASSIFICATION INDEXES (51)
AD 2022 1236 S	27-99

**CONCORDANCE TABLE OF INTERNATIONAL CLASSIFICATION INDEX,
NUMBERS OF REGISTRATION AND PUBLICATION NUMBERS**

INTERNATIONAL CLASSIFICATION INDEX (51)	NUMBER OF REGISTRATION (11)	NUMBER OF PUBLISHED APPLICATION (10)
09-01	D 2022 920 S	AD 2021 1218 S
19-08	D 2022 919 S	AD 2021 1230 S
19-08	D 2022 921 S	AD 2021 1219 S

**CONCORDANCE TABLE OF NUMBERS OF REGISTRATION,
PUBLICATION NUMBERS AND INTERNATIONAL CLASSIFICATION INDEX**

NUMBER OF REGISTRATION (11)	NUMBER OF PUBLISHED APPLICATION (10)	INTERNATIONAL CLASSIFICATION INDEX (51)
D 2022 919 S	AD 2021 1230 S	19-08
D 2022 920 S	AD 2021 1218 S	09-01
D 2022 921 S	AD 2021 1219 S	19-08

**CONCORDANCE TABLE OF APPLICATION NUMBERS,
PUBLICATION NUMBERS AND NUMBERS OF REGISTRATION**

NUMBER OF APPLICATION (21)	NUMBER OF PUBLISHED APPLICATION (10)	NUMBER OF REGISTRATION (11)
AD 2021 1218	AD 2021 1218 S	D 2022 920 S
AD 2021 1219	AD 2021 1219 S	D 2022 921 S
AD 2021 1230	AD 2021 1230 S	D 2022 919 S

**DESIGN REGISTERED ACCORDING TO THE ACCELERATED
PROCEDURE**CONCORDANCE TABLE OF INTERNATIONAL CLASSIFICATION INDEX
AND PUBLICATION NUMBERS

INTERNATIONAL CLASSIFICATION INDEXES (51)	NUMBER OF REGISTRATION (11)
09-03	D 2022 922 S

CONCORDANCE TABLE OF PUBLICATION NUMBERS
AND INTERNATIONAL CLASSIFICATION INDEX

NUMBER OF REGISTRATION (11)	INTERNATIONAL CLASSIFICATION INDEXES (51)
D 2022 922 S	09-03

CONCORDANCE TABLE OF APPLICATION NUMBERS,
PUBLICATION NUMBERS AND PATENTS

NUMBER OF APPLICATION (21)	NUMBER OF REGISTRATION (11)
AD 2021 1254	D 2022 922 S

TRADEMARKS

CONCORDANCE TABLE OF REGISTRATION NUMBERS, APPLICATION NUMBERS, PUBLICATION NUMBERS AND BULLETIN NUMBERS

NUMBER OF REGISTRATION (111)	NUMBER OF APPLICATIONS (210)	NUMBER OF PUBLISHED APPLICATIONS (260)	NUMBER OF BULLETIN
M 2022 34976 R	AM 116253	–	3(5822)2022
M 2022 34977 R	AM 116248	–	3(5822)2022
M 2022 34978 R	AM 116247	–	3(5822)2022
M 2022 34979 R	AM 106957	AM 2021 106957 A	13(569)2021
M 2022 34980 R	AM 106956	AM 2021 106956 A	13(569)2021
M 2022 34981 R	AM 108774	AM 2021 108774 A	12(568)2021
M 2022 34982 R	AM 108775	AM 2021 108775 A	12(568)2021
M 2022 34983 R	AM 109019	AM 2021 109019 A	13(569)2021
M 2022 34984 R	AM 110756	AM 2021 110756 A	13(569)2021
M 2022 34985 R	AM 110758	AM 2021 110758 A	13(569)2021
M 2022 34986 R	AM 110769	AM 2021 110769 A	13(569)2021
M 2022 34987 R	AM 110784	AM 2021 110784 A	13(569)2021
M 2022 34988 R	AM 110790	AM 2021 110790 A	13(569)2021
M 2022 34989 R	AM 110962	AM 2021 110962 A	13(569)2021
M 2022 34990 R	AM 110966	AM 2021 110966 A	13(569)2021
M 2022 34991 R	AM 111412	AM 2021 111412 A	16(572)2021
M 2022 34992 R	AM 111414	AM 2021 111414 A	16(572)2021
M 2022 34993 R	AM 111525	AM 2021 111525 A	16(572)2021
M 2022 34994 R	AM 111526	AM 2021 111526 A	16(572)2021
M 2022 34995 R	AM 111587	AM 2021 111587 A	16(572)2021
M 2022 34996 R	AM 111738	AM 2021 111738 A	18(574)2021
M 2022 34997 R	AM 111841	AM 2021 111841 A	18(574)2021
M 2022 34998 R	AM 111858	AM 2021 111858 A	17(573)2021
M 2022 34999 R	AM 111957	AM 2021 111957 A	18(574)2021
M 2022 35000 R	AM 111958	AM 2021 111958 A	19(575)2021
M 2022 35001 R	AM 111961	AM 2021 111961 A	17(573)2021
M 2022 35002 R	AM 111962	AM 2021 111962 A	18(574)2021
M 2022 35003 R	AM 111963	AM 2021 111963 A	18(574)2021
M 2022 35004 R	AM 111964	AM 2021 111964 A	18(574)2021
M 2022 35005 R	AM 112044	AM 2021 112044 A	18(574)2021
M 2022 35006 R	AM 112045	AM 2021 112045 A	18(574)2021
M 2022 35007 R	AM 112046	AM 2021 112046 A	18(574)2021
M 2022 35008 R	AM 112047	AM 2021 112047 A	18(574)2021
M 2022 35009 R	AM 112048	AM 2021 112048 A	18(574)2021
M 2022 35010 R	AM 112049	AM 2021 112049 A	18(574)2021
M 2022 35011 R	AM 112081	AM 2021 112081 A	19(575)2021
M 2022 35012 R	AM 112089	AM 2021 112089 A	19(575)2021
M 2022 35013 R	AM 112095	AM 2021 112095 A	19(575)2021
M 2022 35014 R	AM 112158	AM 2021 112158 A	18(574)2021
M 2022 35015 R	AM 112172	AM 2021 112172 A	19(575)2021
M 2022 35016 R	AM 112173	AM 2021 112173 A	19(575)2021
M 2022 35017 R	AM 112271	AM 2021 112271 A	18(574)2021
M 2022 35018 R	AM 112298	AM 2021 112298 A	18(574)2021
M 2022 35019 R	AM 112368	AM 2021 112368 A	18(574)2021
M 2022 35020 R	AM 112472	AM 2021 112472 A	18(574)2021
M 2022 35021 R	AM 112476	AM 2021 112476 A	19(575)2021

1	2	3	4
M 2022 35022 R	AM 112477	AM 2021 112477 A	19(575)2021
M 2022 35023 R	AM 112478	AM 2021 112478 A	19(575)2021
M 2022 35024 R	AM 112479	AM 2021 112479 A	19(575)2021
M 2022 35025 R	AM 112483	AM 2021 112483 A	19(575)2021
M 2022 35026 R	AM 112484	AM 2021 112484 A	19(575)2021
M 2022 35027 R	AM 112498	AM 2021 112498 A	19(575)2021
M 2022 35028 R	AM 111446	AM 2021 111446 A	16(572)2021
M 2022 35029 R	AM 112480	AM 2021 112480 A	19(575)2021
M 2022 35030 R	AM 109764	AM 2021 109764 A	19(575)2021
M 2022 35031 R	AM 110192	AM 2021 110192 A	18(574)2021
M 2022 35032 R	AM 111064	AM 2021 111064 A	13(569)2021
M 2022 35033 R	AM 116388	–	3(582)2022
M 2022 35034 R	AM 116251	–	3(582)2022

**CONCORDANCE TABLE OF PUBLICATION NUMBERS
AND APPLICATION NUMBERS**

NUMBER OF PUBLISHED APPLICATION (260)	NUMBER OF APPLICATION (210)	1	2
1	2		
AM 2022 98567 A	AM 98567	AM 2022 113592 A	AM 113592
AM 2022 99509 A	AM 99509	AM 2022 113594 A	AM 113594
AM 2022 110765 A*	AM 110765	AM 2022 113595 A	AM 113595
AM 2022 110767 A*	AM 110767	AM 2022 113600 A	AM 113600
AM 2022 110768 A*	AM 110768	AM 2022 113601 A	AM 113601
AM 2022 112264 A	AM 112264	AM 2022 113609 A	AM 113609
AM 2022 112475 A	AM 112475	AM 2022 113613 A	AM 113613
AM 2022 112599 A	AM 112599	AM 2022 113614 A	AM 113614
AM 2022 112668 A	AM 112668	AM 2022 113616 A	AM 113616
AM 2022 112940 A	AM 112940	AM 2022 113686 A	AM 113686
AM 2022 113216 A	AM 113216	AM 2022 113697 A	AM 113697
AM 2022 113218 A	AM 113218	AM 2022 113698 A	AM 113698
AM 2022 113225 A	AM 113225	AM 2022 113699 A	AM 113699
AM 2022 113260 A	AM 113260	AM 2022 113704 A	AM 113704
AM 2022 113261 A	AM 113261	AM 2022 113709 A	AM 113709
AM 2022 113281 A	AM 113281	AM 2022 113710 A	AM 113710
AM 2022 113378 A	AM 113378	AM 2022 113762 A	AM 113762
AM 2022 113399 A	AM 113399	AM 2022 113774 A	AM 113774
AM 2022 113400 A	AM 113400	AM 2022 113864 A	AM 113864
AM 2022 113422 A	AM 113422	AM 2022 113873 A	AM 113873
AM 2022 113423 A	AM 113423	AM 2022 113874 A	AM 113874
AM 2022 113485 A	AM 113485	AM 2022 113876 A	AM 113876
AM 2022 113498 A	AM 113498	AM 2022 113971 A	AM 113971
AM 2022 113504 A	AM 113504	AM 2022 113980 A	AM 113980
AM 2022 113584 A	AM 113584	AM 2022 113981 A	AM 113981
AM 2022 113589 A	AM 113589	AM 2022 114000 A	AM 114000
		AM 2022 114001 A	AM 114001
		AM 2022 114027 A	AM 114027
		AM 2022 114061 A	AM 114061
		AM 2022 114125 A	AM 114125

CONCORDANCE TABLE OF INDEX OF GOODS AND/OR SERVICES
AND APPLICATION NUMBERS

INDEX OF GOODS AND/OR SERVICES (511)	NUMBER OF PUBLISHED APPLICATIONS (260)	1	2
1	2	29	AM 2022 113216 A
1	AM 2022 113971 A	29	AM 2022 113218 A
3	AM 2022 113589 A	29	AM 2022 113699 A
3	AM 2022 113616 A	30	AM 2022 113216 A
3	AM 2022 113709 A	30	AM 2022 113218 A
3	AM 2022 113774 A	32	AM 2022 110765 A*
3	AM 2022 113876 A	32	AM 2022 110767 A*
3	AM 2022 113971 A	32	AM 2022 110768 A*
5	AM 2022 113400 A	32	AM 2022 113874 A
5	AM 2022 113589 A	32	AM 2022 113980 A
5	AM 2022 113592 A	33	AM 2022 112264 A
5	AM 2022 113609 A	33	AM 2022 112475 A
5	AM 2022 113709 A	33	AM 2022 112599 A
5	AM 2022 113710 A	33	AM 2022 112668 A
5	AM 2022 113774 A	33	AM 2022 113399 A
5	AM 2022 113971 A	33	AM 2022 113704 A
6	AM 2022 113281 A	33	AM 2022 113864 A
7	AM 2022 113281 A	33	AM 2022 114061 A
7	AM 2022 113600 A	33	AM 2022 98567 A
7	AM 2022 113601 A	34	AM 2022 113686 A
7	AM 2022 114000 A	34	AM 2022 113873 A
7	AM 2022 114001 A	35	AM 2022 113225 A
8	AM 2022 113281 A	35	AM 2022 113281 A
9	AM 2022 113281 A	35	AM 2022 113400 A
9	AM 2022 113498 A	35	AM 2022 113504 A
9	AM 2022 113697 A	35	AM 2022 113584 A
9	AM 2022 113698 A	35	AM 2022 113600 A
9	AM 2022 114000 A	35	AM 2022 113601 A
9	AM 2022 114001 A	35	AM 2022 113686 A
11	AM 2022 113281 A	35	AM 2022 113864 A
11	AM 2022 113600 A	35	AM 2022 114125 A
11	AM 2022 113601 A	35	AM 2022 11425 A
11	AM 2022 114000 A	35	AM 2022 98567 A
11	AM 2022 114001 A	36	AM 2022 113584 A
12	AM 2022 113981 A	36	AM 2022 113594 A
14	AM 2022 113697 A	36	AM 2022 113595 A
14	AM 2022 113698 A	36	AM 2022 113600 A
16	AM 2022 113260 A	36	AM 2022 113601 A
16	AM 2022 113261 A	36	AM 2022 113613 A
16	AM 2022 113971 A	36	AM 2022 113614 A
18	AM 2022 113378 A	37	AM 2022 113600 A
18	AM 2022 113697 A	37	AM 2022 113601 A
18	AM 2022 113698 A	37	AM 2022 113613 A
20	AM 2022 112940 A	37	AM 2022 113614 A
21	AM 2022 113589 A	37	AM 2022 114001 A
24	AM 2022 113378 A	37	AM 2022 113614 A
25	AM 2022 113378 A	37	AM 2022 113614 A
26	AM 2022 113697 A	38	AM 2022 113485 A
26	AM 2022 113698 A	39	AM 2022 113422 A
		39	AM 2022 113423 A
		39	AM 2022 113600 A
		39	AM 2022 113601 A
		39	AM 2022 113981 A
		40	AM 2022 113600 A
		40	AM 2022 113601 A

1	2
41	AM 2022 113260 A
41	AM 2022 113261 A
41	AM 2022 113485 A
41	AM 2022 113584 A
41	AM 2022 113600 A
41	AM 2022 113601 A
42	AM 2022 113584 A
42	AM 2022 113594 A
42	AM 2022 113595 A
42	AM 2022 113600 A

1	2
42	AM 2022 113601 A
43	AM 2022 113218 A
43	AM 2022 114027 A
43	AM 2022 98567 A
43	AM 2022 99509 A
44	AM 2022 113584 A
45	AM 2022 113600 A
45	AM 2022 113601 A
45	AM 2022 113762 A

CONCORDANCE TABLE OF INDEX OF GOODS AND/OR SERVICES
AND NUMBERS OF TRADEMARKS REGISTERED ACCORDING
TO THE ACCELERATED PROCEDURE

INDEX OF GOODS AND/OR SERVICES (511)	NUMBERS OF REGISTERED ACCORDING TO THE ACCELERATED PROCEDURE (111)
5	M 2022 34978 R
29	M 2022 35033 R
34	M 2022 35034 R
35	M 2022 35034 R
42	M 2022 34977 R
43	M 2022 34976 R

OFFICIAL BULLETIN OF THE INDUSTRIAL PROPERTY

**INVENTIONS
UTILITY MODELS
DESIGNS
TRADEMARKS**

3(582)

EDITOR-IN-CHIEF: N. Bebrishvili

EDITOR-TRANSLATOR: E. Gabunia

PROOFREADER: G. Nadareishvili

COMPUTER LAYOUT: M. Ordenidze
K. Svanidze

info@sakpatenti.gov.ge
www.sakpatenti.gov.ge