



**NATIONAL INTELLECTUAL PROPERTY CENTER OF GEORGIA  
SAKPATENTI**

**OFFICIAL BULLETIN  
OF THE INDUSTRIAL PROPERTY**

**4(488)**

**2018  
TBILISI**

# INID CODES FOR IDENTIFICATION OF BIBLIOGRAPHIC DATA

## INVENTIONS, UTILITY MODELS

- (10) Number of publication for application, which has been examined
- (11) Number of patent and kind of document
- (21) Serial number of application
- (22) Date of filing of the application
- (23) Date of exhibition or the date of the earlier filing and the number of application, if any
- (24) Date from which patent may have effect
- (31) Number of priority application
- (32) Date of filing of priority application
- (33) Code of the country or regional organization allotting priority application number
- (44) Date of publication of application not granted, but examined and number of bulletin
- (45) Date of publication of registered document
- (51) International Patent Classification Index
- (54) Title of the invention
- (57) Abstract
- (60) Number of examined patent document granted by foreign patent office, date from which patent has effect and country code
- (62) Number of the earlier application and in case of divided application, date of filing an application
- (71) Name, surname and address of applicant (country code)
- (72) Name, surname of inventor (country code)
- (73) Name, surname and address of patent owner (country code)
- (74) Name, surname of representative or patent attorney
- (85) Date of commencement of the national phase of International Application
- (86) Number and date of filing of international application
- (87) Number and date of publication of international application

## DESIGNS

- (10) Number of publication for application
- (11) Number of patent and kind of document or number of registration
- (15) Date of registration/Date of patent renewal
- (18) Expected expiration date of patent or registration
- (21) Serial number of application
- (22) Date of filing of the application
- (23) Date of exhibition or the date of the earlier filing and the number of application, if any
- (24) Date from which patent may have effect
- (28) Number of designs included in the application
- (30) Data relating to priority (number of application, date of filing of application, two-letter code identifying the authority with whom the priority application was made)
- (31) Number of priority application
- (32) Date of filing of priority application
- (33) Code of the country or regional organization allotting priority application number
- (34) Two-letter code according to WIPO St.3 identifying the authority with which the priority application was made
- (44) Date of publication of design and number of bulletin (the first publication)
- (45) Date of publication of design registered by WIPO and number of bulletin
- (51) International Classification for designs (class and subclass of the Locarno Classification)
- (54) Title of the invention
- (55) Reproduction of the design
- (57) Description of characteristic features of the design including indication of colors
- (58) Date of recording of any kind of amendment in the Register
- (62) Number of the earlier application, registration and document number and if available the date of filing an application in case of divided application
- (71) Name, surname and address of applicant (country code)
- (72) Name, surname of creator (country code)
- (73) Name, surname and address of patent owner (country code)
- (74) Name, surname of representative or patent attorney
- (81) Contracting states concerned
  - II designated contracting states according to the 1960 Act
  - III designated contracting states according to the 1999 Act
- (85) Owner's permanent address
- (86) Owner's nationality
- (87) Owner's residence
- (88) State in which the owner has a real and effective industrial or commercial establishment

## TRADEMARKS

- (111) – Number of registration
- (151) – Date of registration
- (156) – Date of the renewal
- (181) – Expected expiration date of registration
- (186) – Renewal expiration date of registration
- (141) – Date of cancel of duration of the mark
- (210) – Serial number of application
- (220) – Date of filing of the application
- (230) – Date concerning exhibition
- (260) – Number of application, for which favorable decision of examination about registration has been taken (publication number)
- (310) – Number of the first application
- (320) – Date of filing of the first application
- (330) – Code, identifying national or regional Office where the first application was made
- (511) – International Classification of Goods and Services for the purposes of registration of trade marks and/or list of goods and/or services classified according thereto
- (531) – Description of figurative elements of Trade Marks according to the International Classification of the Figurative Elements of Marks
- (540) – Reproduction of Trade Mark
- (550) – Nature and kind of Trade Mark
- (580) – Date of recording of any kind changes in respect of applications or registrations
- (591) – Information concerning colors claimed
- (731) – Name and address of the applicant
- (732) – Name and address of the holder of the registration
- (740) – Name and address of the representative
- (750) – Address for correspondence
- (770) – Name and address of the previous applicant or holder in case of change in ownership
- (771) – Previous name and address of the applicant or holder in case of change in ownership
- (791) – Name and address of the licensee
- (793) – Indication of conditions and/or restrictions under the license (Type of license, number of license agreement, data of license, data of validity of license)
- (800) – Certain data relating to the international registration of Trade Marks under the Protocol Relating to Madrid Agreement (International registration number)

## CODES FOR PUBLICATION IN BULLETIN

- (21) AP 0000 000000 – serial number of application for invention
- (10) AP 0000 0000 A – number of published application for invention (first publication)
- (11) P 0000 0000 B – number of patent for invention (second publication)
- (21) API 0000 000000 – number of application for imported patent
- (11) PI 0000 0000 A – number of imported patent (first publication)
- (21) AU 0000 000000 – serial number of application for utility model
- (10) AU 0000 000 U – number of published application for utility model (first publication)
- (11) U 0000 000 Y – number of patent for utility model (second publication)
- (21) AD 0000 000000 – serial number of application for design
- (10) AD 0000 000 S – number of published application for design (first publication)
- (11) D 0000 000 S – number of patent for design (second publication)

## INTERNATIONAL PATENT CLASSIFICATION FOR INVENTIONS AND UTILITY MODELS

- SECTION A – HUMAN NECESSITIES
- SECTION B – PERFORMING OPERATIONS; TRANSPORTING
- SECTION C – CHEMISTRY; METALLURGY
- SECTION D – TEXTILES; PAPER
- SECTION E – FIXED CONSTRUCTIONS
- SECTION F – MECHANICAL ENGINEERING; LIGHTING; HEATING; WEAPONS; BLASTING
- SECTION G – PHYSICS
- SECTION H – ELECTRICITY

- 
- M – Trade Mark
  - (210) AM 0000 000000 – Serial number of application;
  - (260) AAM 0000 00000 A – Publication number of application;
  - (111) M 0000 00000 R – Number of registration;
  - (111) MMM0000 00000 Rn – Number of renewals, in which n=1,2,3;
  - (111) M 0000 00000 R(P) – Number of registration under partial assignment of rights
-

**LIST OF CODES, IN ALPHABETIC SEQUENCE, AND THE CORRESPONDING (SHORT) NAMES OF STATES, OTHER ENTITIES AND INTERGOVERNMENTAL ORGANIZATIONS**  
(WIPO STANDARD ST.3)

|    |   |    |  |    |   |
|----|---|----|--|----|---|
| AD | Andorra   |    |  |    |   |
| AE | United Arab Emirates  |    |  |    |   |
| AF | Afghanistan   |    |  |    |   |
| AG | Antigua and Barbuda   |    |  |    |   |
| AI | Anguilla  |    |  |    |   |
| AL | Albania   |    |  |    |   |
| AM | Armenia   |    |  |    |   |
| AN | Netherlands Antilles  |    |  |    |   |
| AO | Angola  |    |  |    |   |
| AP | African Regional Intellectual<br>Property Organization (ARIPO)                    |    |  |    |   |
| AR | Argentina   |    |  |    |   |
| AT | Austria   |    |  |    |   |
| AU | Australia   |    |  |    |   |
| AW | Aruba   |    |  |    |   |
| AZ | Azerbaijan  |    |  |    |   |
| BA | Bosnia and Herzegovina  |    |  |    |   |
| BB | Barbados  |    |  |    |   |
| BD | Bangladesh  |    |  |    |   |
| BE | Belgium   |    |  |    |   |
| BF | Burkina Faso  |    |  |    |   |
| BG | Bulgaria  |    |  |    |   |
| BH | Bahrain   |    |  |    |   |
| BI | Burundi   |    |  |    |   |
| BJ | Benin   |    |  |    |   |
| BM | Bermuda   |    |  |    |   |
| BN | Brunei Darussalam   |    |  |    |   |
| BO | Bolivia   |    |  |    |   |
| BR | Brazil  |    |  |    |   |
| BS | Bahamas   |    |  |    |   |
| BT | Bhutan  |    |  |    |   |
| BV | Bouvet Island   |    |  |    |   |
| BW | Botswana  |    |  |    |   |
| BX | Benelux Office for Intellectual<br>Property (BOIP)                                |    |  |    |   |
| BY | Belarus   |    |  |    |   |
| BZ | Belize  |    |  |    |   |
| CA | Canada  |    |  |    |   |
| CD | Democratic Republic of the<br>Congo   |    |  |    |   |
| CF | Central African Republic  |    |  |    |   |
| CG | Congo   |    |  |    |   |
| CH | Switzerland   |    |  |    |   |
| CI | Cote d'Ivoire   |    |  |    |   |
| CK | Cook Islands  |    |  |    |   |
| CL | Chile   |    |  |    |   |
| CM | Cameroon  |    |  |    |   |
| CN | China   |    |  |    |   |
| CO | Colombia  |    |  |    |   |
| CR | Costa Rica  |    |  |    |   |
| CU | Cuba  |    |  |    |   |
| CV | Cape Verde  |    |  |    |   |
| CY | Cyprus  |    |  |    |   |
| CZ | Czech Republic  |    |  |    |   |
| DE | Germany   |    |  |    |   |
| DJ | Djibouti  |    |  |    |   |
| DM | Dominica  |    |  |    |   |
| DO | Dominican Republic  |    |  |    |   |
| DZ | Algeria   |    |  |    |   |
| EA | Eurasian Patent Organization (EAPO)   |    |  |    |   |
| EC | Ecuador   |    |  |    |   |
| EE | Estonia   |    |  |    |   |
| EG | Egypt   |    |  |    |   |
| EH | Western Sahara  |    |  |    |   |
| EM | Office for Harmonization in the Internal<br>Market (Trademarks and Designs)(OHIM) |    |  |    |   |
| EP | European Patent Office (EPO)  |    |  |    |   |
| ER | Eritrea   |    |  |    |   |
| ES | Spain   |    |  |    |   |
| ET | Ethiopia  |    |  |    |   |
| FI | Finland   |    |  |    |   |
| FJ | Fiji  |    |  |    |   |
| FK | Falkland Islands (Malvinas)   |    |  |    |   |
| FO | Faroe Islands   |    |  |    |   |
| FR | France  |    |  |    |   |
| GA | Gabon   |    |  |    |   |
| GB | United Kingdom  |    |  |    |   |
| GC | Patent Office of the Cooperation Council  |    |  |    |   |
|    |   |    | for the Arab States of the Gulf (GCC)  |    |   |
|    |   | GD | Grenada  |    |   |
|    |   | GG | Guernsey   |    |   |
|    |   | GH | Ghana  |    |   |
|    |   | GI | Gibraltar  |    |   |
|    |   | GT | Guatemala  |    |   |
|    |   | GW | Guinea- Bissau   |    |   |
|    |   | GY | Guyana   |    |   |
|    |   | HK | The Hong Kong Special Administrative<br>Region of the People's Republic of China |    |   |
|    |   | HN | Honduras   |    |   |
|    |   | HR | Croatia  |    |   |
|    |   | HT | Haiti  |    |   |
|    |   | HU | Hungary  |    |   |
|    |   | IB | International Bureau of the World<br>Intellectual Property Organization (WIPO)   |    |   |
|    |   | ID | Indonesia  |    |   |
|    |   | IE | Ireland  |    |   |
|    |   | IL | Israel   |    |   |
|    |   | IM | Isle of Man  |    |   |
|    |   | IN | India  |    |   |
|    |   | IQ | Iraq   |    |   |
|    |   | ID | Indonesia  |    |   |
|    |   | IE | Ireland  |    |   |
|    |   | IL | Israel   |    |   |
|    |   | IM | Isle of Man  |    |   |
|    |   | IN | India  |    |   |
|    |   | IQ | Iraq   |    |   |
|    |   | IR | Iran (Islamic Republic of)   |    |   |
|    |   | IS | Iceland  |    |   |
|    |   | IT | Italy  |    |   |
|    |   | JE | Jersey   |    |   |
|    |   | JM | Jamaica  |    |   |
|    |   | JO | Jordan   |    |   |
|    |   | JP | Japan  |    |   |
|    |   | KE | Kenya  |    |   |
|    |   | KG | Kyrgyzstan   |    |   |
|    |   | KH | Cambodia   |    |   |
|    |   | KI | Kiribati   |    |   |
|    |   | KM | Saint Kitts and Nevis  |    |   |
|    |   | KP | Democratic People's Republic of Korea  |    |   |
|    |   | KR | Republic of Korea  |    |   |
|    |   | KW | Kuwait   |    |   |
|    |   | KY | Cayman Islands   |    |   |
|    |   | KZ | Kazakhstan   |    |   |
|    |   | LA | Lao People's Democratic Republic   |    |   |
|    |   | LB | Lebanon  |    |   |
|    |   | LC | Saint Lucia  |    |   |
|    |   | LI | Liechtenstein  |    |   |
|    |   | LK | Sri Lanka  |    |   |
|    |   | LR | Liberia  |    |   |
|    |   | LS | Lesotho  |    |   |
|    |   | LT | Lithuania  |    |   |
|    |   | LU | Luxembourg   |    |   |
|    |   | LV | Latvia   |    |   |
|    |   | LY | Libyan Arab Jamahiriya   |    |   |
|    |   | MA | Morocco  |    |   |
|    |   | MC | Monaco   |    |   |
|    |   | MD | Republic of Moldova  |    |   |
|    |   | ME | Montenegro   |    |   |
|    |   | MG | Madagascar   |    |   |
|    |   | MK | The former Yugoslav Republic of<br>Macedonia                                     |    |   |
|    |   | ML | Mali   |    |   |
|    |   | MM | Myanmar  |    |   |
|    |   | MN | Mongolia   |    |   |
|    |   | MO | Macao  |    |   |
|    |   | MP | Northern Mariana Islands   |    |   |
|    |   | MR | Mauritania   |    |   |
|    |   | MS | Montserrat   |    |   |
|    |   | MT | Malta  |    |   |
|    |   | MU | Mauritius  |    |   |
|    |   | MV | Maldives   |    |   |
|    |   | MW | Malawi   |    |   |
|    |   | MX | Mexico   |    |   |
|    |   | MY | Malaysia   |    |   |
|    |   | MZ | Mozambique   |    |   |
|    |   | NA | Namibia  |    |   |
|    |   |    |  | NE | Niger   |
|    |   |    |  | NG | Nigeria   |
|    |   |    |  | NI | Nicaragua   |
|    |   |    |  | NL | Netherlands   |
|    |   |    |  | NO | Norway  |
|    |   |    |  | NP | Nepal   |
|    |   |    |  | NR | Nauru   |
|    |   |    |  | NZ | New Zealand   |
|    |   |    |  | OA | African Intellectual Property Organization<br>(OAPI)          |
|    |   |    |  | OM | Oman  |
|    |   |    |  | PA | Panama  |
|    |   |    |  | PE | Peru  |
|    |   |    |  | PG | Papua New Guinea  |
|    |   |    |  | PH | Philippines   |
|    |   |    |  | PK | Pakistan  |
|    |   |    |  | PL | Poland  |
|    |   |    |  | PT | Portugal  |
|    |   |    |  | PW | Palau   |
|    |   |    |  | PY | Paraguay  |
|    |   |    |  | QA | Qatar   |
|    |   |    |  | QZ | Community Plant Variety Office<br>(European Community) (CPVO) |
|    |   |    |  | RO | Romania   |
|    |   |    |  | RS | Serbia  |
|    |   |    |  | RU | Russian Federation  |
|    |   |    |  | RW | Rwanda  |
|    |   |    |  | SA | Saudi Arabia  |
|    |   |    |  | SB | Solomon Islands   |
|    |   |    |  | SC | Seychelles  |
|    |   |    |  | SD | Sudan   |
|    |   |    |  | SG | Singapore   |
|    |   |    |  | SH | Saint Helena  |
|    |   |    |  | SI | Slovenia  |
|    |   |    |  | SK | Slovakia  |
|    |   |    |  | SL | Sierra Leone  |
|    |   |    |  | SM | San Marino  |
|    |   |    |  | SN | Senegal   |
|    |   |    |  | SO | Somalia   |
|    |   |    |  | SR | Suriname  |
|    |   |    |  | ST | Sao Tome and Principe   |
|    |   |    |  | SV | El Salvador   |
|    |   |    |  | SY | Syrian Arab Republic  |
|    |   |    |  | SZ | Swaziland   |
|    |   |    |  | TC | Turks and Caicos Islands                                      |
|    |   |    |  | TD | Chad  |
|    |   |    |  | TG | Togo  |
|    |   |    |  | TH | Thailand  |
|    |   |    |  | TJ | Tajikistan  |
|    |   |    |  | TL | Timor-Leste   |
|    |   |    |  | TM | Turkmenistan  |
|    |   |    |  | TN | Tunisia   |
|    |   |    |  | TO | Tonga   |
|    |   |    |  | TR | Turkey  |
|    |   |    |  | SE | Sweden  |
|    |   |    |  | TT | Trinidad and Tobago   |
|    |   |    |  | TV | Tuvalu  |
|    |   |    |  | TW | Taiwan, Province of China                                     |
|    |   |    |  | TZ | United Republic of Tanzania                                   |
|    |   |    |  | UA | Ukraine   |
|    |   |    |  | UG | Uganda  |
|    |   |    |  | US | United States of America                                      |
|    |   |    |  | UY | Uruguay   |
|    |   |    |  | UZ | Uzbekistan  |
|    |   |    |  | VA | Holy See  |
|    |   |    |  | VC | Saint Vincent and the Grenadines                              |
|    |   |    |  | VE | Venezuela   |
|    |   |    |  | VG | Virgin Islands (British)                                      |
|    |   |    |  | VN | Viet Nam  |
|    |   |    |  | VU | Vanuatu   |
|    |   |    |  | WO | World Intellectual Property Organization<br>(WIPO)            |
|    |   |    |  | WS | Samoa   |
|    |   |    |  | XN | Nordic Patent Institute (NPI)                                 |
|    |   |    |  | YE | Yemen   |
|    |   |    |  | ZA | South Africa  |
|    |   |    |  | ZM | Zambia  |
|    |   |    |  | ZW | Zimbabwe  |

**NATIONAL INTELLECTUAL PROPERTY CENTER OF GEORGIA  
SAKPATENTI**

**OFFICIAL BULLETIN  
OF THE INDUSTRIAL PROPERTY**

**4(488)**

**INVENTIONS  
UTILITY MODELS  
DESIGNS  
TRADEMARKS**

**DATE OF PUBLICATION  
2018 02 26**

# CONTENTS

|   |          |
|---|----------|
| <b>PUBLISHED TITLES OF PROTECTION .....</b>   | <b>2</b> |
| <br>  |          |
| <b>INVENTIONS</b>   |          |
| ▪ APPLICATIONS APPROVED FOR GRANTING PATENTS .....                                      | 4        |
| ▪ PATENTED INVENTIONS .....   | 8        |
| <br>  |          |
| <b>UTILITY MODELS</b>   |          |
| ▪ APPLICATIONS APPROVED FOR GRANTING PATENT .....                                       | 10       |
| ▪ PATENTED UTILITY MODEL .....  | 12       |
| <br>  |          |
| <b>DESIGNS</b>  |          |
| ▪ APPLICATIONS APPROVED FOR REGISTRATION .....  | 13       |
| ▪ DESIGNS REGISTERED ACCORDING TO THE ACCELERATED PROCEDURE .....                       | 15       |
| <br>  |          |
| <b>TRADEMARKS</b>   |          |
| ▪ APPLICATIONS FILED UNDER THE NATIONAL PROCEDURE APPROVED FOR<br>REGISTRATION .....    | 17       |
| ▪ REGISTERED TRADEMARKS .....   | 26       |
| ▪ TRADEMARKS REGISTERED ACCORDING TO THE ACCELERATED PROCEDURE .....                    | 31       |
| ▪ INTERNATIONAL TRADEMARKS FOR WHICH A DECISION ON GANTING PROTECTION IS<br>TAKEN ..... | 33       |
| ▪ INTERNATIONAL TRADEMARKS PROTECTED IN GEORGIA .....                                   | 131      |
| <br>  |          |
| <b>OFFICIAL NOTIFICATIONS</b>   |          |
| <b>INVENTIONS</b>   |          |
| ▪ RENEWAL OF PATENTS .....  | 150      |
| <b>UTILITY MODEL</b>  |          |
| ▪ RENEWAL OF PATENT .....   | 150      |
| <b>TRADEMARKS</b>   |          |
| ▪ RENEWAL OF REGISTRATIONS .....  | 151      |
| ▪ COMPLETE TRANSFER OF RIGHTS .....   | 156      |
| ▪ CHANGES IN NAMES AND/OR ADDRESSES OF OWNERS .....                                     | 157      |
| ▪ INVALIDATION OF TRADEMARKS REGISTRATIONS .....  | 159      |
| <br>  |          |
| <b>CLASSIFICATION INDEXES</b>   |          |
| INVENTIONS .....  | 164      |
| UTILITY MODELS .....  | 166      |
| DESIGNS .....   | 167      |
| TRADEMARKS .....  | 168      |

# PUBLISHED TITLES OF PROTECTION

## INVENTIONS

- **APPLICATIONS APPROVED FOR GRANTING PATENT:**  
14192; 14463; 14327; 13302; 14377; 14240; 14071; 13932; 14351; 14332
- **PATENTED INVENTIONS:**  
6824-6830

## UTILITY MODELS

- **APPLICATION APPROVED FOR GRANTING PATENT:**  
14476; 14331; 14407
- **PATENTED UTILITY MODEL:**  
1961

## DESIGNS

- **APPLICATION APPROVED FOR REGISTRATION:**  
993
- **DESIGNS REGISTERED ACCORDING TO THE ACCELERATED PROCEDURE:**  
747, 748

## TRADEMARKS

- **APPLICATIONS FILED UNDER THE NATIONAL PROCEDURE APPROVED FOR REGISTRATION:**  
89219, 89220; 90963; 91382; 91538, 91539; 91737; 91935; 92202; 92252, 92253; 92387; 92389; 92398; 92493; 92525; 92530; 92616; 92653-92655; 92745; 92751-92754; 92756; 92762; 92770; 92775; 92793; 92848; 92850, 92851; 92854; 92856; 92884; 92987, 92988; 92990; 92992; 93055, 93056; 93190; 93245; 93296; 93485; 93492; 93606; 93634; 93652
- **REGISTERED TRADEMARKS:**  
29366; 29369-29418
- **TRADEMARKS REGISTERED ACCORDING TO THE ACCELERATED PROCEDURE:**  
29364, 29365; 29367, 29368; 29419, 29420
- **INTERNATIONAL TRADEMARKS FOR WHICH A DECISION ON GRANTING PROTECTIONS IS TAKEN:**  
88083\*; 88213\*; 88869; 88880; 88900; 88908\*; 88909\*; 89281; 89741; 89743; 89806; 90449; 90708, 90709; 90715; 91117; 91149; 91269; 91271, 91272; 91274; 91294; 91324; 91335; 91339; 91345; 91450; 91589; 91604; 91647; 91649, 91650; 91655; 91668; 91673; 91675, 91676; 91679; 91683-91689; 91691, 91692; 91695, 91696; 91698-91703, 91708; 91710, 91711; 91726; 91741-91748; 91750, 91751; 91753; 91768; 91787, 91788; 91790, 91791; 91793; 91796- 91801; 91808, 91809; 91823, 91824; 91827; 91880; 91895; 91899-91902; 91908-91911; 91914; 91916-91919; 91922, 91923; 91925; 91927, 91928; 91931-91934; 91943-91945; 91947-91950; 91952; 91954; 91964, 91965; 91967; 91970; 91972; 91974, 91975; 91982; 91987; 91990, 91991; 91993, 91994; 91998; 92000; 92005; 92010-92014; 92019; 92021; 92023, 92024; 92028-92030; 92032, 92033; 92037, 92038; 92042-92046; 92048, 92049; 92063, 92064; 92072; 92078-92081; 92083-92085; 92087
- **INTERNATIONAL TRADEMARKS PROTECTED IN GEORGIA:**  
82689; 83489; 83602; 84244; 86325; 86776; 87032; 88877; 88884; 88932; 89023; 89411; 89432; 89437; 89444, 89445; 89480; 89562; 89570; 89614; 89735; 89737; 89739, 89740; 89742; 89744-89746; 89749, 89750; 89752-89757; 89818; 89858-89860; 89862-89866; 89868-89877; 89900; 89902, 89903; 89905; 89907-89909; 89911, 89912; 89916; 89919; 89921; 89924, 89925; 89928, 89929; 89932- 89935; 89937; 89942; 89949; 89974-89977; 90007-90009; 90013; 90015-90017; 90021, 90022; 90041; 90083; 90108; 90111; 90114; 90168; 90179; 90189; 90195-90199; 90201; 90209; 90222; 90247- 90250; 90252-90264; 90266-90271; 90297; 90300; 90311; 90323; 90340, 90341; 90343-90348; 90351-90356; 90358; 90361; 90367- 90369; 90374-90377; 90379-90383; 90386-90388; 90409; 90431- 90434; 90437-90442; 90444-90446; 90448; 90453-90457; 90459; 90461; 90463; 90465-90470; 90472; 90474-90476; 90483; 90490- 90492; 90497; 90500-90503; 90506-90508; 90513; 90520; 90524; 90529; 90540; 90543; 90548; 90550; 90552; 90555; 90574, 90575; 90578-90584; 90619; 90674; 90698-90702; 90713, 90714; 90716- 90718; 90720; 90792; 90803-90806; 90808, 90809; 90888, 90889; 90891; 90893; 90895, 90896; 90903; 90905, 90906; 90908; 90919, 90920; 90943-90948; 90950-90952; 91081; 91098-91101; 91103, 91104

---

# INVENTIONS

## APPLICATIONS APPROVED FOR GRANTING PATENTS

The decision can be appealed at the Chamber of Appeal of Sakpatenti within 3 months from the publication or at the Mtskheta District Court Administrative Cases Board (Address: №17, Samkhedro str., Mtskheta), within 1 month following the publication.

### PART A

#### A 61

(10) AP 2018 14192 A (51) Int. Cl. (2006)  
A 61 K 9/00  
A 61 M 15/00  
A 61 K 31/167  
A 61 K 31/40  
B 65 D 83/54  
A 61 K 31/573

(21) AP 2014 014192 (22) 2014 12 23

(31) 13199783.5

(32) 2013 12 30

(33) EP

(71) CHIESI FARMACEUTICI S.P.A. (IT)  
Via Palermo, 26/A I-43100 Parma (IT)

(72) BONELLI, Sauro (IT);  
COPELLI, Diego (IT);  
DAGLI ALBERI, Massimiliano (IT);  
USBERTI, Francesca (IT);  
ZAMBELLI, Enrico (IT)

(74) Shalva Gvaramadze

(85) 2016 06 28

(86) PCT/EP2014/079258, 2014 12 23

(54) **STABLE PRESSURISED AEROSOL SOLUTION COMPOSITION OF GLYCOPYRRONIUM BROMIDE AND FORMOTEROL COMBINATION**

(57) An inhaler comprises a balloon equipped with a valve having butyl rubber cushion. Aerosol composition containing glycopyrronium bromide, formoterol, HFA propellant, cosolvent and mineral acid is placed in the balloon.

Claims: 3 independent

11 dependent

---

(10) AP 2018 14463 A (51) Int. Cl. (2006)  
A 61 K 31/355  
A 61 K 9/00  
A 61 K 47/44  
A 61 P 11/02

(21) AP 2015 014463 (22) 2015 10 02

(31) MI2014A001819

(32) 2014 10 22

(33) IT

(71) BIO.LO.GA. S.R.L. (IT)  
Via Giuseppe Lazzarin, 66 I-31015  
Conegliano (TV) (IT)

(72) PANIN, Giorgio (IT);  
TESTA, Domenico (IT);  
GUERRA, Germano (IT)

(74) Nugzar Ksovreli

(85) 2017 04 03

(86) PCT/EP2015/072796, 2015 10 02

(54) **PHARMACEUTICAL COMPOSITION FOR USE IN INCREASING THE TROPHISM OF NASAL MUCOSA**

(57) Composition, comprising  $\alpha$ -tocopherol ester with carboxylic acid and oil carrier, is used to repair nasal mucous tissues after nasal and paranasal sinuses surgery or at atrophic rhinitis treatment.

Claims: 2 independent

7 dependent

Fig.: 4

---

(10) AP 2018 14327 A (51) Int. Cl. (2006)  
A 61 K 31/7048  
A 61 P 31/04

(21) AP 2015 014327 (22) 2015 05 11

(31) 14075031.6

(32) 2014 05 09

(33) EP

(71) ASTELLAS PHARMA EUROPE LTD (GB)  
2000 Hillswood Drive Chertsey,  
Surrey KT16 0RS (GB)

(72) KARAS, Andreas Johannis (NL);  
LONGSHAW, Christopher Mark (NL)

(74) Shalva Gvaramadze

(85) 2016 11 22

(86) PCT/EP2015/000965, 2015 05 11

(54) **TREATMENT REGIMEN TIACUMICIN COMPOUND**

(57) Tiacumicin compound is used for the treatment of infection, caused by Clostridium difficile, or diarrhea associated therewith.

Claims: 3 independent

18 dependent

Fig.: 50

**(10) AP 2018 13302 A (51) Int. Cl. (2006)****A 61 K 39/395**

(21) AP 2012 013302 (22) 2012 05 02

(31) 61/481,522; 61/544,054

(32) 2011 05 02; 2011 10 06

(33) US; US

(71) MILLENNIUM PHARMACEUTICALS  
INC. (US)40 Landsdowne Street Cambridge,  
Massachusetts 02139 (US)

(72) DILUZIO, Willow (US);

NGUYEN, Phuong M (US);

VARGA, Csanad M. (US);

PALANIAPPAN, Vaithianathan (US);

BROWN, Jason (US);

FOX, Irving H. (US);

SCHOLZ, Catherine (US);

JENKINS, Erica Helen (GB);

ROSARIO, Maria (PT)

(74) Shalva Gvaramadze

(85) 2013 11 29

(86) PCT/US2012/036069, 2012 05 02

**(54) FORMULATION FOR ANTI- $\alpha 4\beta 7$   
ANTIBODY**

(57) Stable pharmaceutical compound comprises mixture of: anti- $\alpha 4\beta 7$  antibodies, citrate, surfactant and, at least, one free amino acid, with certain molar correlation, wherein variable parts of amino acid sequences of heavy and light chains of anti- $\alpha 4\beta 7$  antibodies are specified. Said pharmaceutical compound is used at inflammatory bowel disease (IBD) treatment.

Claims: 6 independent

28 dependent

Fig.: 18

**(10) AP 2018 14377 A (51) Int. Cl. (2006)****A 61 M 15/00**

(21) AP 2015 014377 (22) 2015 06 19

(31) 141755021.6

(32) 2014 06 30

(33) EP

(71) CHIESI FARMACEUTICI S.P.A. (IT)

Via Palermo 26/A 43122 Parma (IT)

(72) TAMPIERI, Valerio (IT);

ZUCCHERI, Lorenzo (IT);

ILANDI, Emiliano (IT);

CAMPANINI, Alice (IT);

PASQUALI, Irene (IT);

LINNANE, Patrick Gerard (IT);

HAWSON, Nicholas Lee (IT);

GALE, David (IT);

GARRAD, Joanne (IT)

(74) Aleksandre Gegechkori

(85) 2017 01 09

(86) PCT/EP2015/063803, 2015 06 19

**(54) DRY POWDER INHALER AND  
INHALATION ACTUATED  
MECHANISM THEREOF**

(57) There is described flap 20 for inhalation actuated mechanism 18 of powder inhaler 1 comprising base member 29, skirt structure 24 projecting from surface of base member 29, and coupling portion 21 to be coupled to resilient member 40' of inhalation actuated mechanism 18.

Claims: 2 independent

19 dependent

Fig.: 5

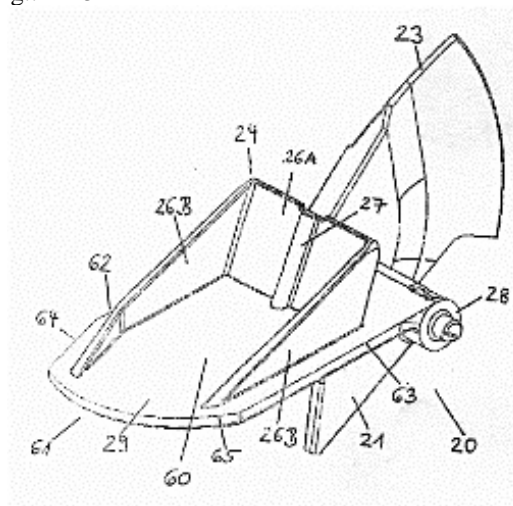


Fig. 2

**PART B****B 22****(10) AP 2018 14240 A (51) Int. Cl. (2006)****B 22 F 1/00****B 22 F 3/02****B 22 F 3/23****B 22 F 7/00****B 22 F 7/02****C 22 C 29/14****C 22 C 38/14****C 22 C 1/00****C 22 C 1/04****C 22 C 14/00**

(21) AP 2016 014240 (22) 2016 08 10

(71) LTD "TORITEX" (GE)

I. Chavchavadzis Gamz. 37a, 0179,  
Tbilisi (GE)

(72) Zurab Aslamazashvili (GE);

Giorgi Oniashvili (GE);

Garegin Zakharov (GE);

Giorgi Tavazde (GE)



(74) Zurab Aslamazashvili

**(54) METHOD FOR PREPARATION OF  
COMPOSITE MATERIAL STABLE AT  
DYNAMIC LOAD OF HIGH  
INTENSIVITY**

(57) Initial componentry mixing and mechanical activation are executed within 24 h-s after synthesis in regime of final product response in self-distributing high-temperature regime, then material (article) final compaction and cooling with heated upto 600°C muffler are executed; at that, initial charge includes steal padding of austenite class, with following ratio of componentry (mas%):

Ti – 69-72;

BN – 12-13;

Me – 3-4;

Steal padding of austenite class – 12-15.

In another version of method, material (article) final compaction and cooling are executed on air, after synthesis of burning regime in self-distributing high-temperature regime of final product; at that, prepared ceramical patterns are disposed on steal plate of austenite class with thickness of 0.7 - 2mm. composite material stable at dynamic load of high intensity is prepared as a result, with following ratio of componentry (mas%):

Ti – 52.7-73.8;

BN – 9.1-13.5;

Me – 2.6-4.5;

Steal padding of austenite class – 10-35.

Claims: 1 independent

1 dependent

Fig.: 3

Table: 1

## PART C

### C 10

**(10) AP 2018 14071 A (51) Int. Cl. (2006)  
C 10 G 1/04**

(21) AP 2014 014071 (22) 2014 07 28

(31) 61/859,679

(32) 2013 07 29

(33) US

(71) RED LEAF RESOURCES, INC. (US)

10808 South River Front Parkway, Suite 200

South Jordan, UT 84095 (US)

(72) PATTEN, James, W. (US)

(74) Shalva Gvaramadze

(85) 2016 02 26

(86) PCT/US 2014/048474, 2014 07 28

**(54) COMPOSITE FEEDSTOCK FOR  
RECOVERY OF HYDROCARBONS  
FROM HYDROCARBONACEOUS  
MATERIAL**

(57) A method of reducing settling of residual comminuted hydrocarbonaceous material during processing can comprise forming constructed permeability control infrastructure which defines substantially encapsulated volume. The method can also include introducing composite comminuted hydrocarbonaceous material into control infrastructure to form permeable body, where the composite hydrocarbonaceous material includes comminuted hydrocarbonaceous material and structural material. The method can further include heating permeable body sufficient to remove hydrocarbons therefrom. Hydrocarbonaceous material is substantially stationary during heating, exclusive of subsidence and settling. Structural material can provide structural integrity to permeable body sufficient to maintain convective flow of fluids throughout permeable body during heating.

Claims: 2 independent

33 dependent

Fig.: 4

### C 25

**(10) AP 2018 13932 A (51) Int. Cl. (2006)  
C 25 C 3/12**

**C 25 C 3/04**

**C 25 C 3/22**

**C 25 C 7/02**

(21) AP 2014 013932 (22) 2014 02 14

(31) 61/764,711

(32) 2013 02 14

(33) US

(71) ALLIANCE MAGNÉSIUM (CA)

Office 410 9160 Leduc Blvd. Quartier

DIX30 Brossard, Québec J4Y 0E3 (CA)  
 (72) FOURNIER, Joël (CA);  
 RU, Lionel (CA);  
 EL, Sébastien (CA)

(74) Tamaz Shilakadze

(85) 2015 09 10

(86) PCT/CA2014/050102, 2014 02 14

(54) **HYDROGEN GAS DIFFUSION  
 ANODE ARRANGEMENT PRODUCING  
 HCL**

(57) Present invention relates to anode arrangement for use in electrolysis production of metals comprising anode having hollow body comprising cavity, the body having at least one gas outlet connected in flow communication with the cavity. Gas inlet is connected in fluid flow communication with the cavity of anode, gas inlet being connectable to a source of hydrogen gas for feeding hydrogen gas into the cavity of anode. Anode arrangement also comprises electrical connector and hydrogen chloride (HCl) recuperator surrounding at least a portion of anode for recovering HCl gas released through at least one gas outlet at outer surface of anode during electrolysis.

Claims: 2 independent  
 18 dependent

Fig.: 13

## PART G

### G 06

(10) **AP 2018 14351 A** (51) **Int. Cl. (2006)  
 G 06 T 15/00  
 A 63 F 13/00  
 G 06 T 17/00  
 G 06 T 19/00  
 H 04 N 5/272**

(21) AP 2015 014351 (22) 2015 05 20

(31) 20140637

(32) 2014 05 21

(33) NO

(71) THE FUTURE GROUP AS (NO)

Sørkedalsveien 6 N-0369 Oslo (NO)

(72) KASIN, Bård-Anders (NO)

(74) Shalva Gvaramadze

(85) 2016 12 16

(86) PCT/NO2015/050085, 2015 05 20

(54) **A SYSTEM FOR COMBINING  
 VIRTUAL SIMULATED IMAGES WITH  
 REAL FOOTAGE FROM A STUDIO**

(57) A system and a method for overlaying real physical world items into virtual simulated world, interactions between the worlds and protocols for

efficient communication between these and third party participants are provided. Present invention attains above-described objective by studio site having real life items and primary game engine simulating at least some of said real life items, wherein the primary game engine receives motion and position data from said studio and generates visualisation of said items, wherein the visualisation is overlaid studio images using keyer function.

Claims: 2 independent  
 7 dependent

Fig.: 1

## PART H

### H 02

(10) **AP 2018 14332 A** (51) **Int. Cl. (2006)  
 H 02 J 3/18**

(21) AP 2016 014332 (22) 2016 11 30

(71) Archil Gvimradze (GE)

Dighmis masivi, kvart. VI, korp. 22b,

b. 32, 0159, Tbilisi (GE);

Badur Chunashvili (GE)

M. Tamarashvilis q. 13a, b. 40, 0177,

Tbilisi (GE);

Aleksandr Petrosyan (GE)

Mukhianis dasakh., II mkr., korp. 8, b. 37,

0172, Tbilisi (GE)

(72) Archil Gvimradze (GE);

Badur Chunashvili (GE);

Aleksandr Petrosyan (GE)

(54) **METHOD FOR REACTIVE POWER  
 COMPENSATION DEVICE CONTROL**

(57) A method provides to switch compensation power slide control block between power network and static compensator; to feed signal, based on information received from load transducer, and corresponding abonent reactive load value, onto slide control block by control system; and to control capacitive power generated by static compensator. Information about abonent reactive load is received by individual control sensor, separately from each phase. Each phase control sygnals corresponding abonent reactive load value are transmitted on slide control block cells. Each phase capacitive power generating independent control is executed with capacitive power static compensator on a base of these sygnals.

Claims: 1 independent

Fig.: 1

## PATENTED INVENTIONS

### PART A

#### A 61

**(11) P 2018 6829 B**      **(51) Int. Cl. (2006)**  
**A 61 K 9/00**  
**A 61 K 47/02**  
**A 61 K 31/135**  
 (10) AP 2017 14278 A      (44) 21(481)/2017  
 (21) AP 2015 014278  
 (22) 2015 02 26  
 (24) 2015 02 26  
 (31) MI 2014 A 000306  
 (32) 2014 02 27  
 (33) IT  
 (86) PCT/EP2015/054021, 2015 02 26  
 (73) SINTETICA S.A. (CH)  
 Via Penate, 5 CH-6850 Mendrisio (CH)  
 (72) MITIDIERI, Augusto (CH);  
 DONATI, Elisabetta (IT);  
 CARONZOLO, Nicola (IT)  
 (74) Shalva Gvaramadze  
 (54) **PROCESS FOR PRODUCING**  
**A STABLE LOW CONCENTRATION,**  
**INJECTABLE SOLUTION OF**  
**NORADRENALINE**

---

**(11) P 2018 6825 B**      **(51) Int. Cl. (2006)**  
**A 61 K 9/20**  
**A 61 K 31/00**  
 (10) AP 2017 14025 A      (44) 21(481)/2017  
 (21) AP 2014 014025  
 (22) 2014 07 24  
 (24) 2014 07 24  
 (31) 2470/MUM/2013  
 (32) 2013 07 25  
 (33) IN  
 (86) PCT/IN2014/000489, 2014 07 24  
 (73) CADILA HEALTHCARE LIMITED (IN)  
 Zydus Tower, Satellite Cross Roads  
 Ahmedabad 380015 Gujarat (IN)  
 (72) PATEL, Jitendre, D. (IN);  
 DAVADRA, Prakash (IN);  
 PATEL, Snehal (IN);  
 SHEIKH, Shafiq (IN)  
 (74) Aleksandre Gegechkori  
 (54) **FORMULATION COMPRISING**  
**HYPOLIPIDEMIC AGENT**

**(11) P 2018 6824 B**      **(51) Int. Cl. (2006)**  
**A 61 K 9/107**  
**A 61 K 33/22**  
**A 61 K 47/10**  
**A 61 K 47/18**  
**A 61 K 47/26**  
**A 61 K 47/34**  
 (10) AP 2017 13578 A      (44) 21(481)/2017  
 (21) AP 2013 013578  
 (22) 2013 02 22  
 (24) 2013 02 22  
 (31) 12156652.5; 61/602,369  
 (32) 2012 02 23; 2012 02 23  
 (33) EP; US  
 (86) PCT/EP2013/053556, 2013 02 22  
 (73) SANTEN SAS (FR)  
 1 rue Pierre Fontaine Bâtiment Genavenir IV  
 F-91000 Evry (FR)  
 (72) GARRIGUE, Jean-Sébastien (FR);  
 LALLEMAND, Frédéric (FR);  
 PHILIPS, Betty (FR)  
 (74) Tamar Kochlamazashvili  
 (54) **SELF-PRESERVED OIL**  
**DISPERSIONS COMPRISING BORIC**

---

**(11) P 2018 6830 B**      **(51) Int. Cl. (2006)**  
**A 61 K 31/355**  
**A 61 P 11/02**  
**A 61 P 37/08**  
**A 61 K 9/00**  
**A 61 K 45/06**  
 (10) AP 2017 14382 A      (44) 21(481)/2017  
 (21) AP 2015 014382  
 (22) 2015 04 17  
 (24) 2015 04 17  
 (31) MI2014A001332  
 (32) 2014 07 22  
 (33) IT  
 (86) PCT/EP2015/058368, 2015 04 17  
 (73) BIO.LO.GA. S.R.L. (IT)  
 Via Giuseppe Lazzarin, 66 I-31015  
 Conegliano (TV) (IT)  
 (72) PANIN, Giorgio (IT);  
 LAMPRECHT, Jürgen (DE)  
 (74) Nugzar Ksovreli  
 (54) **COMPOSITION COMPRISING**  
**ESTER OF ALPHA-TOCOPHEROL FOR**  
**PREVENTION AND TREATMENT**  
**OF ALLERGIC RHINITIS**

**PART C****C 07**

(11) P 2018 6826 B (51) Int. Cl. (2006)  
 C 07 C 67/29  
 C 07 C 69/18  
 C 07 F 7/18  
 C 12 P 41/00  
 C 07 C 47/565  
 C 07 C 47/575  
 C 07 C 51/377  
 C 07 C 59/72

(10) AP 2017 14111 A (44) 21(481)/2017

(21) AP 2013 014111

(22) 2013 05 22

(24) 2013 05 22

(62) 61/650,836 2012 05 23 (US);  
 12172191.4 2012 06 15 (EP)

(31) 61/650,836; 12172191.4

(32) 2012 05 23; 2012 06 15

(33) US; EP

(86) PCT/EP2013/060472, 2013 05 22

(73) SCIPHARM SÀRL (LU)

26-28, rue Edward Steichen L-2540 (LU)

(72) JAIN, Nareshkumar F. (US);

KIRKUP, Michael P. (US);

MARELLA, Michael A. (US);

GHONE, Sanjeevani, A. (US)

(74) Liliana Darakhvelidze

(54) **INTERMEDIATE PRODUCT FOR  
 TREPROSTINIL SYNTHESIS AND  
 METHODS FOR PREPARATION  
 THEREOF**

(11) P 2018 6827 B (51) Int. Cl. (2006)  
 C 07 J 7/00  
 C 07 J 41/00  
 C 07 J 51/00

(10) AP 2017 14130 A (44) 21(481)/2017

(21) AP 2014 014130

(22) 2014 10 01

(24) 2014 10 01

(31) P1300566

(32) 2013 10 01

(33) HU

(86) PCT/IB2014/064979, 2014 10 01

(73) Richter Gedeon Nyrt. (HU)

Gyömrői út.19-21, H-1103,

Budapest (HU)

(72) Sándor MAHÓ (HU);

Csaba SÁNTA (HU);

János CSÖRGEI (HU);

János HORVÁTH (HU);

Antal Aranyi (HU);

Zoltán BÉNI (HU)

(74) Liliana Darakhvelidze

(54) **PROCESS FOR SYNTHESIS OF  
 ULIPRISTAL ACETATE AND ITS  
 4'-ACETYL ANALOGUE**

**PART F****F 24**

(11) P 2018 6828 B (51) Int. Cl. (2006)  
 F 24 B 1/185  
 F 23 B 30/04

(10) AP 2017 14275 A (44) 20(480)/2017

(21) AP 2016 014275

(22) 2016 09 21

(24) 2016 09 21

(73) Nodar Kevkhishvili (GE)

Pl. Ioselianis q. 2, b. 15, 0115, Tbilisi (GE);

Nino Kevkhishvili (GE)

Pl. Ioselianis q. 2, b. 15, 0115, Tbilisi (GE)

(72) Nodar Kevkhishvili (GE);

Nino Kevkhishvili (GE)

(54) **FURNACE PLANT**

# UTILITY MODELS

## APPLICATION APPROVED FOR GRANTING PATENT

The decision can be appealed at the Chamber of Appeal of Sakpatenti within 3 months from the publication or at the Mtskheta District Court Administrative Cases Board (Address: №17, Samkhedro str., Mtskheta), within 1 month following the publication.

### PART A

#### A 01

(10) AU 2018 14476 U (51) Int. Cl. (2006)  
A 01 B 51/00  
B 62 D 21/00

(21) AU 2017 014476 (22) 2017 04 18

(71) Vasil Chkhikvadze (GE)

Ir. Abashidzis q. 57, 0162, Tbilisi (GE)

(72) Vasil Chkhikvadze (GE)

(54) **MAIN FRAME OF SOIL CULTIVATOR  
AND SMALL CHASSIS**

(57) Main frame is formed with whole channel divided on six sections 1-6; at that, second and sixth therefrom are disposed on one plane, and fourth – in parallel thereof; third and fifth, connecting fourth with second and sixth, create therewith obtuse angle; at that, first is disposed in vertical or inclined plane relative to second. Main frame is inserted in casing 9 executed with plate.

Claims: 1 independent

1 dependent

Fig.: 4

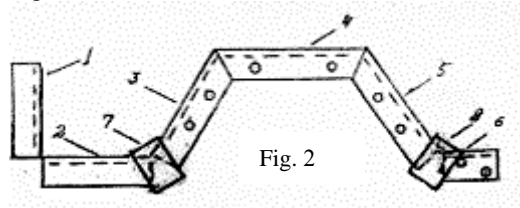


Fig. 2

### PART E

#### E 04

(10) AU 2018 14331 U (51) Int. Cl. (2006)  
E 04 B 5/00

(21) AU 2016 014331 (22) 2016 11 28

(71) Gia Bokhua (GE)

O. Oniashvilis q. 37/39-41, b. 4, 0160,  
Tbilisi (GE)

(72) Gia Bokhua (GE)

(54) **SLIDING ROOF**

(57) Sliding roof includes sections consisting of flat farms. Upper and lower zones 2 of farms are executed as consisting bars with separated parts 6, whereto couple of bracing 1 is rigidly connected. Parts of upper and lower zones of adjacent farms of adjacent sections are connected together with connecting bars 7; and lower zones are connected together hingedly.

Claims: 1 independent

2 dependent

Fig.: 2

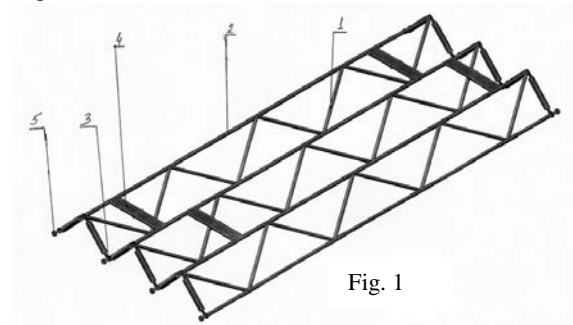


Fig. 1

**PART F****F 26**

(10) AU 2018 14407 U (51) Int. Cl. (2006)  
F 26 B 3/00

(21) AU 2017 014407 (22) 2017 02 03

(71) Giorgi Khmiadashvili (GE)  
Vazha-Pshavelas Gamz. 71a, b. 3, 0186,  
Tbilisi (GE)

(72) Giorgi Khmiadashvili (GE)

(54) **FRUIT AND VEGETABLE DRYING  
PLANT**

(57) A plant includes: drying chamber 1, wherein the lattice trays 3 for drying material placing are disposed tiered; IR radiation sources 2 disposed in the chamber; and openings 4 and 5, correspondingly for air inlet and outlet. IR radiation sources are executed as films having carboxylic layers.

Claims: 1 independent

2 dependent

Fig.: 4

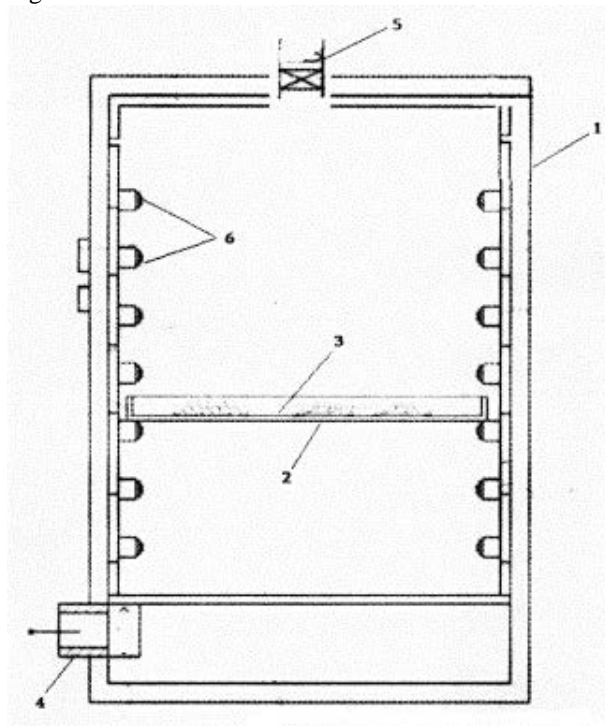


Fig. 1

## PATENTED UTILITY MODEL

### PART C

#### C 25

- (11) U 2018 1961 Y        **(51) Int. Cl. (2006)**  
  **C 25 B 11/12**  
  **C 25 B 1/21**
- (10) AU 2017 14281 U    (44) 21(481)/2017  
(21) AU 2016 014281  
(22) 2016 09 27  
(24) 2016 09 27  
(73) Zhiuli Keadze (GE)  
      Nutsubidzis me-3 mkr., kvart. 2, korp. 2,  
      b. 69, 0183, Tbilisi (GE)
- (72) Zhiuli Keadze (GE);  
      Tsisana Gagnidze (GE);  
      Medea Bolotashvili (GE);  
      Temur Chakhunashvili (GE);  
      Ketevan Ugrelidze (GE);  
      Liana Kakuria (GE)
- (54) **BOX ELECTROLYTIC CELL FOR  
      RECEIVING MANGANESE DIOXIDE  
      AND HYDROGEN**
-

---

# DESIGN

## APPLICATION APPROVED FOR REGISTRATION

The decision can be appealed at the Chamber of Appeal of Sakpatenti within 3 months from the publication or at the Mtskheta District Court Administrative Cases Board (Address: №17, Samkhedro str., Mtskheta), within 1 month following the publication.

(10) AD 2018 993 S

(21) AD 2017 993

(28) 1

(71) Simon Kharkhelaury (GE)

Temka, IV mkr., korp. 11, b. 85, 0197, Tbilisi, Georgia (GE)

(72) Simon Kharkhelaury (GE)

(54) SUNFLOWER SEEDS PACKING BAG WITH POCKET

(55)

(51) 09-05

(22) 2017 09 22







## DESIGNS REGISTERED ACCORDING TO THE ACCELERATED PROCEDURE

The decision can be appealed at the Chamber of Appeal of Sakpatenti within 3 months from the publication.

(11) D 2018 747 S

(21) AD 2018 1016

(24) 2018 01 30

(28) 1

(18) 2023 01 30

(73) Karen Vardanyan (AM)

Byron St. 3, b. 36, Yerevan, Armenia (AM)

(72) Karen Vardanyan (AM)

(74) Giorgi Taktakishvili (GE)

(54) **PACKING BOX**

(55)

(51) 09-03

(22) 2018 01 30



1.1



1.2



1.3



1.4

(11) D 2018 748 S

(21) AD 2018 1017

(24) 2018 01 30

(28) 1

(18) 2023 01 30

(73) Karen Vardanyan (AM)

Byron St. 3, b. 36, Yerevan, Armenia (AM)

(72) Karen Vardanyan (AM)

(74) Giorgi Taktakishvili (GE)

(54) PACKING BOX

(55)

(51) 09-03

(22) 2018 01 30



1.1



1.2



1.3



1.4

---

# TRADEMARKS

## APPLICATIONS FILED UNDER THE NATIONAL PROCEDURE APPROVED FOR REGISTRATION

The decision can be appealed at the Chamber of Appeal of Sakpatenti within 3 months from the publication or at the Mtskheta District Court Administrative Cases Board (Address: №17, Samkhedro St., Mtskheta), within 1 month following the publication.

(260) AM 2018 89219 A  
(210) AM 89219  
(220) 2016 11 01  
(731) LUXOTTICA GROUP, S.P.A.  
Piazzale Cadorna 3, Milano 20123, Italy  
(740) Merab Kvimsadze  
(540)

**RAY-BAN**

(591) Black, white  
(531) 27.05.17  
(511) 9

---

(260) AM 2018 89220 A  
(210) AM 89220  
(220) 2016 11 01  
(731) LUXOTTICA GROUP, S.P.A.  
Piazzale Cadorna 3, Milano 20123, Italy  
(740) Merab Kvimsadze  
(540)

*Ray-Ban*

(591) Black, white  
(531) 27.05.01  
(511) 9

---

(260) AM 2018 90963 A  
(210) AM 90963  
(220) 2017 02 22  
(731) LTD "KVARELI WINE COMPANY"  
Lermontovis q. 3, 4800, Kvareli, Georgia  
(540)

**Orera  
Opepa  
ორერა**

(511) 35

---

(260) AM 2018 91382 A  
(210) AM 91382  
(220) 2017 03 24  
(731) LTD "GEOMIL"  
Tchirmakhulis q. 4, Isani-Samgoris r-ni, 0151,  
Tbilisi, Georgia  
(740) Davit Nozadze  
(540)

**MARGI**

(511) 32

---

(260) AM 2018 91538 A  
(210) AM 91538  
(220) 2017 03 31  
(731) MATTEL, INC.  
333 Continental Boulevard, El Segundo,  
California 90245, USA  
(740) Konstantine Meipariani  
(540)

**HOT WHEELS**

(511) 8, 9, 16, 18, 20, 21, 24, 25, 28, 41

---

(260) AM 2018 91539 A  
(210) AM 91539  
(220) 2017 03 31  
(731) MATTEL, INC.  
333 Continental Boulevard, El Segundo,  
California 90245, USA  
(740) Konstantine Meipariani  
(540)

**FISHER-PRICE**

(511) 3, 5, 8, 10, 16, 18, 20, 21, 24, 25, 28, 30, 41

---

(260) AM 2018 91737 A  
(210) AM 91737  
(220) 2017 04 18  
(731) Tengiz Abesadze  
M. Dvalishvilis q. 15, 4600, Kutaisi,  
Georgia  
(740) Tengiz Abesadze

(540)



(591) Black, white  
(531) 26.01.11; 26.01.18; 27.01.06  
(511) 32, 41, 43, 44

(260) AM 2018 91935 A  
(210) AM 91935  
(220) 2017 05 02  
(731) CJSC "CANONPHARMA PRODUCTION"  
Ul. Zarechnaya 105, 141100, Shelkovo  
M.O. Moskow, Russian Federation  
(740) Davit Chkopia  
(540)

**მექსიB 6 GEO**  
**MexiB 6 GEO**  
**МексиB 6 GEO**

(511) 5

(260) AM 2018 92202 A  
(210) AM 92202  
(220) 2017 05 18  
(731) ANESTASS EL MURI  
El Murr Residence - Haret El Deir, Kfarchima  
- Baabda, Lebanon  
(740) Giorgi Taktakishvili  
(540)



(591) White, grey, blue  
(531) 26.03.02; 26.03.18; 26.03.22; 27.05.01;  
27.05.22; 29.01.12  
(511) 3, 8, 14

(260) AM 2018 92252 A  
(210) AM 92252  
(220) 2017 05 19

(731) LTD "Galleria Tbilisi"  
Rustavelis Gamz. 2/4, (nakv. 65/003), 0108,  
Tbilisi, Georgia  
(740) Giorgi Taktakishvili  
(540)

**გალერია თბილისი**  
**Galleria Tbilisi**

(591) Black, white  
(526) "თბილისი" and "Tbilisi"  
(511) 9, 16, 21, 22, 25, 26, 35, 36

(260) AM 2018 92253 A  
(210) AM 92253  
(220) 2017 05 19  
(731) LTD "Galleria Tbilisi"  
Rustavelis Gamz. 2/4, (nakv. 65/003), 0108,  
Tbilisi, Georgia  
(740) Giorgi Taktakishvili  
(540)

**გალერია თბილისი -**  
**ქალაქის გული**

(591) Black, white  
(526) "თბილისი"  
(511) 9, 16, 21, 22, 25, 26, 35, 36

(260) AM 2018 92387 A  
(210) AM 92387  
(220) 2017 05 29  
(731) LE HOANG DIEP TAO  
31 Tu Xuong, Ward 7, District 3, Ho Chi  
Minh, Viet Nam  
(740) Konstantine Meipariani  
(540)



(591) Black, white  
(531) 26.04.06; 26.04.24; 27.05.21; 27.05.24;  
27.07.24  
(511) 30

(260) AM 2018 92389 A  
(210) AM 92389  
(220) 2017 05 29

(731) S.A. CORMAN  
Rue de la Gileppe 4, 4834 Limbourg, 4834,  
Belgium  
(740) Giorgi Taktakishvili  
(540)

## CARLSBOURG

(591) Black, white  
(511) 29, 30

(260) AM 2018 92398 A  
(210) AM 92398  
(220) 2017 05 29  
(731) DONGNING CITY TIANCHI TRADE CO.,  
LTD  
Organic Food Processing Park, Economic  
Development Zone, Dongning, Mudanjiang,  
Heilongjiang, China  
(740) Davit Zurabishvili  
(540)

## DZHUGASHVILI

(591) Black, white  
(531) 27.05.01  
(511) 33

(260) AM 2018 92493 A  
(210) AM 92493  
(220) 2017 05 31  
(731) NAVIGATOR PAPER FIGUEIRA S.A.  
Lavos, 3090-451 Figeira Da Foz, Portugal  
(740) Merab Kvimsadze  
(540)

## SOPORSET

(591) Black, white  
(511) 16

(260) AM 2018 92525 A  
(210) AM 92525  
(220) 2017 06 05  
(731) Gela Jaliashvili  
L. Asatianis q. 23, 0105, Tbilisi, Georgia  
(540)



(591) Black, yellow  
(531) 15.01.23; 25.01.09; 25.01.15; 27.05.01; 28.19;  
29.01.12  
(511) 43

(260) AM 2018 92530 A  
(210) AM 92530  
(220) 2017 06 05  
(731) Zakritoe Aktsionernoie Obshestvo  
"KANONPHARMA PRODUCTION"  
Ul. Zarechnaya 105, 141100, Shelkovo  
M.O. Moskow, Russian Federation  
(740) Davit Chkopoia  
(540)

## ტენზიფონი TENZIFON ТЕНЗИФОН

(511) 5

(260) AM 2018 92616 A  
(210) AM 92616  
(220) 2017 06 07  
(731) HARRINGTON DEVELOPMENT INC.  
Elvira Mendesis Striti, Valarino Bldg, fl. 3,  
Panama, Panama  
(740) Givi Akopashvili  
(540)

## პალმა

(511) 34

(260) AM 2018 92653 A  
(210) AM 92653  
(220) 2017 06 08  
(731) E. I. DU PONT DE NEMOURS AND  
COMPANY  
Chestnut Run Plaza, 974 Centre Road,  
Wilmington, DE 19805, USA  
(740) Tamaz Shilakadze  
(540)

## ЭВОРЕЛЬ

(591) Black, white  
(511) 5

(260) AM 2018 92654 A  
(210) AM 92654  
(220) 2017 06 08  
(731) E. I. DU PONT DE NEMOURS AND  
COMPANY  
Chestnut Run Plaza, 974 Centre Road,  
Wilmington, DE 19805, USA  
(740) Tamaz Shilakadze

(540)

**ევორელი**

(591) Black, white  
(511) 5

(260) AM 2018 92655 A

(210) AM 92655

(220) 2017 06 08

(731) E. I. DU PONT DE NEMOURS AND COMPANY

Chestnut Run Plaza, 974 Centre Road,  
Wilmington, DE 19805, USA

(740) Tamaz Shilakadze

(540)

**EVORELLE**

(591) Black, white  
(511) 5

(260) AM 2018 92745 A

(210) AM 92745

(220) 2017 06 12

(731) LTD "AVALIANI BROTHERS"

Sop. Gogiasvilebi Me-3 q.18, Kedis r-ni,  
6100, Georgia

(540)



**AVALIANI BROTHERS**

(591) Black, white  
(531) 25.01.10; 25.01.25; 26.01.18; 28.19  
(511) 33, 35

(260) AM 2018 92751 A

(210) AM 92751

(220) 2017 06 12

(731) MAHDI GODRATI Asl

Kipshidzis q. 3b, I sadarbazo, sart. 6, b. 19,  
0162, Tbilisi, Georgia

(740) Hamidi Shariati

(540)

**CADI AMIDON**  
**კადი ამიდონ**

(591) Black, white  
(511) 3, 35

(260) AM 2018 92752 A

(210) AM 92752

(220) 2017 06 12

(731) MAHDI GODRATI Asl

Kipshidzis q. 3b, I sadarbazo, sart. 6, b. 19,  
0162, Tbilisi, Georgia

(740) Hamidi Shariati

(540)

**GALLUS**

**ჯალუს**

(591) Black, white  
(511) 3, 35

(260) AM 2018 92753 A

(210) AM 92753

(220) 2017 06 12

(731) JSC "GEORGIAN BEER COMPANY"

Sop. Saguramo, 3300, Mtskheta, Georgia

(740) Lado Rapava

(540)



(591) Red, golden, white  
(531) 11.03.02; 24.01.03; 24.01.18; 25.01.10;  
27.05.01; 29.01.13  
(511) 32

(260) AM 2018 92754 A

(210) AM 92754

(220) 2017 06 12

(731) MAHDI GODRATI Asl

Kipshidzis q. 3b, I sadarbazo, sart. 6, b. 19,  
0162, Tbilisi, Georgia

(740) Hamidi Shariati

(540)

**BLUX**

**ბლუქს**

(591) Black, white  
(511) 3, 35

(260) AM 2018 92756 A

(210) AM 92756

(220) 2017 06 12

(731) MAHDI GODRATI Asl  
Kipshidzis q. 3b, I sadarbazo, sart. 6, b. 19,  
0162, Tbilisi, Georgia

(740) Hamidi Shariati  
(540)

**BLITZ**  
ბლიც

(591) Black, white  
(511) 3

(260) AM 2018 92762 A  
(210) AM 92762  
(220) 2017 06 13  
(731) INGA GAVVA  
V. Botchorishvilis q. 37b, 0171, Tbilisi,  
Georgia  
(740) Jaba Gelashvili  
(540)



(591) Lime, black, white, green, light brown  
(531) 01.03.15; 02.01.11; 09.07.19; 11.01.02;  
11.03.10; 11.03.18; 29.01.15  
(511) 31

(260) AM 2018 92770 A  
(210) AM 92770  
(220) 2017 06 13  
(731) MAPAEX CONSUMER HEALTHCARE  
PRIVATE LIMITED  
E-7, HIG-500, Arera Colony, Bhopal, Madhya  
Pradesh – 462016, India  
(740) Giorgi Taktakishvili  
(540)

**MUCICOF**

(591) Black, white  
(511) 5

(260) AM 2018 92775 A  
(210) AM 92775  
(220) 2017 06 13  
(731) MAPAEX CONSUMER HEALTHCARE  
PRIVATE LIMITED  
E-7, HIG-500, Arera Colony, Bhopal, Madhya  
Pradesh – 462016, India  
(740) Giorgi Taktakishvili  
(540)

**DUROFLAM**

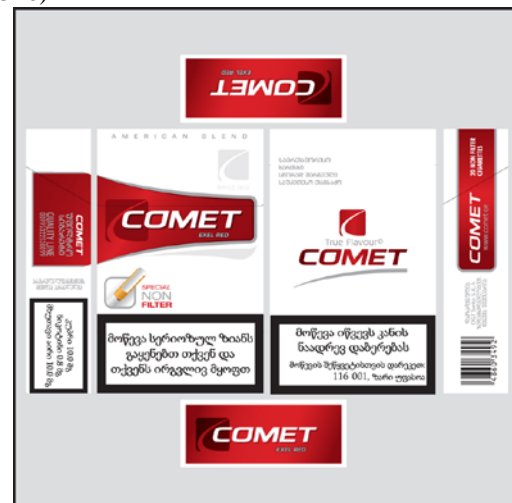
(591) Black, white  
(511) 5

(260) AM 2018 92793 A  
(210) AM 92793  
(220) 2017 06 15  
(731) SOPHARMA AD  
16, Oulitsa "Iliensko chaussee", BG-1220  
Sofia, Bulgaria  
(740) Shalva Gvaramadze  
(540)

**SOPHALOR**

(591) Black, white  
(511) 5

(260) AM 2018 92848 A  
(210) AM 92848  
(220) 2017 06 20  
(731) HARRINGTON DEVELOPMENT INC.  
Elvira Mendez Street, Vallarino Bldg, 3-rd  
Floor, Panama, Republic of Panama  
(740) Givi Akopashvili  
(540)



(591) White, red, silvery, black, gray, dark yellow  
(531) 10.01.05; 19.03.24; 25.01.01; 27.05.24;  
29.01.15  
(511) 34



(260) AM 2018 92850 A  
 (210) AM 92850  
 (220) 2017 06 20  
 (731) HARRINGTON DEVELOPMENT INC.  
 Elvira Mendez Street, Vallarino Bldg, 3-rd  
 Floor, Panama, Republic of Panama  
 (740) Givi Akopashvili  
 (540)



(591) White, red, blue, silvery, dark yellow  
 (531) 10.01.05; 19.03.24; 25.01.01; 27.05.24;  
 29.01.15  
 (511) 34

(260) AM 2018 92854 A  
 (210) AM 92854  
 (220) 2017 06 20  
 (731) HARRINGTON DEVELOPMENT INC.  
 Elvira Mendez Street, Vallarino Bldg, 3-rd  
 Floor, Panama, Republic of Panama  
 (740) Givi Akopashvili  
 (540)



(591) Black, silvery, golden  
 (531) 03.01.02; 10.01.05; 19.03.24; 25.01.01;  
 27.05.24; 29.01.15  
 (511) 34

(260) AM 2018 92851 A  
 (210) AM 92851  
 (220) 2017 06 20  
 (731) HARRINGTON DEVELOPMENT INC.  
 Elvira Mendez Street, Vallarino Bldg, 3-rd  
 Floor, Panama, Republic of Panama  
 (740) Givi Akopashvili  
 (540)



(591) White, blue, dark blue, silvery  
 (531) 19.03.24; 25.01.01; 27.05.01; 27.05.24;  
 29.01.14  
 (511) 34

(260) AM 2018 92856 A  
 (210) AM 92856  
 (220) 2017 06 20  
 (731) HARRINGTON DEVELOPMENT INC.  
 Elvira Mendez Street, Vallarino Bldg, 3-rd  
 Floor, Panama, Republic of Panama  
 (740) Givi Akopashvili  
 (540)



(591) White, golden, silvery  
 (531) 10.01.05; 19.03.24; 25.01.01; 27.05.01;  
 27.05.25; 29.01.13  
 (511) 34

(260) AM 2018 92884 A  
 (210) AM 92884  
 (220) 2017 06 21  
 (310) 71512  
 (320) 2016 12 22  
 (330) JM  
 (731) APPLE INC.  
 1, Infinite Loop, Cupertino, California,  
 95014, USA  
 (740) Tamar Kochlamazashvili  
 (540)

**APPLE**

(591) Black, white  
 (511) 39

(260) AM 2018 92987 A  
 (210) AM 92987  
 (220) 2017 06 26  
 (731) LTD "NEW PHARM GROUP"  
 Davit Aghmasheneblis Kheiv. XII km, korp. 2,  
 b. 43, Vake-Saburtalos r-ni, 0131, Tbilisi,  
 Georgia  
 (540)

**ლერდაპი**

**LERDAP  
 ЛЕРДАП**

(511) 5

(260) AM 2018 92988 A  
 (210) AM 92988  
 (220) 2017 06 26  
 (731) LTD "NEW PHARM GROUP"  
 Davit Aghmasheneblis Kheiv. XII km, korp. 2,  
 b. 43, Vake-Saburtalos r-ni, 0131, Tbilisi,  
 Georgia  
 (540)

**ლერდაპრილი**

**LERDAPRILE  
 ЛЕРДАПРИЛ**

(511) 5

(260) AM 2018 92990 A  
 (210) AM 92990  
 (220) 2017 06 26  
 (731) LTD "NEW PHARM GROUP"  
 Davit Aghmasheneblis Kheiv. XII km, korp. 2,  
 b. 43, Vake-Saburtalos r-ni, 0131, Tbilisi,  
 Georgia  
 (540)

**ციტოპრამი**

**ЦИТОПРАМ  
 ЦИТОПРАМ**

(511) 5

(260) AM 2018 92992 A  
 (210) AM 92992  
 (220) 2017 06 26  
 (731) LTD "NEW PHARM GROUP"  
 Davit Aghmasheneblis Kheiv. XII km, korp. 2,  
 b. 43, Vake-Saburtalos r-ni, 0131, Tbilisi,  
 Georgia  
 (540)

**ნიუკლავი**

**Newclav**

**НЬЮКЛАВ**

(511) 5

(260) AM 2018 93055 A  
 (210) AM 93055  
 (220) 2017 06 29  
 (731) TROIKAA PHARMACEUTICALS LTD.  
 Commerce House - 1, Satya Marg, Bodakdev,  
 Ahmedabad, Gujarat 380054, India  
 (740) Giorgi Taktakishvili  
 (540)

**TROIKAA**

(591) Black, white  
 (511) 5

(260) AM 2018 93056 A  
 (210) AM 93056  
 (220) 2017 06 29  
 (731) HAZELNUT 1997  
 Tchitchinadzis q. 1/3, 0168, Tbilisi, Georgia  
 (540)



(591) Red, black, grey  
 (531) 25.07.17; 25.07.22; 25.07.23; 26.01.18;  
 27.01.12; 29.01.12  
 (511) 29, 31

(260) AM 2018 93190 A  
 (210) AM 93190  
 (220) 2017 07 06  
 (731) LTD "ARTPHARMA"  
 Gamrekelis q. 19 (512), 0160, Tbilisi,  
 Georgia

(740) Giorgi Taktakishvili  
(540)

**Gluminex**  
**Глюминекс**  
**გლუმინექსი**

(591) Black, white  
(511) 5

(260) AM 2018 93245 A  
(210) AM 93245  
(220) 2017 07 07  
(731) JSC "GEPHA"  
Sanapiros q. 6, 0108, Tbilisi, Georgia  
(740) Salome Jeladze  
(540)

**Blockpain**  
**ბლოკპეინი**  
**Блокпейн**

(511) 5

(260) AM 2018 93296 A  
(210) AM 93296  
(220) 2017 07 11  
(731) LTD "NOVA PRODUCTION"  
Z. Paliashvilis q. 64, 0179, Tbilisi, Georgia  
(540)



(591) Light green, sky-blue  
(531) 26.11.01; 26.11.11; 27.05.11; 28.19; 29.01.13  
(511) 38, 41

(260) AM 2018 93485 A  
(210) AM 93485  
(220) 2017 07 25  
(731) BRITISH AMERICAN TOBACCO  
(BRANDS) INC. (a Delaware corporation)  
2711 Sentervil Roudi, Suit 300, Delaveri,  
Wilmington, 19808, USA  
(740) Tamar Kochlamazashvili  
(540)



(591) Black, white  
(531) 01.15.05; 26.01.13; 26.01.16; 26.01.18;  
26.01.24; 27.05.01; 27.05.21; 27.05.24  
(511) 34

(260) AM 2018 93492 A  
(210) AM 93492  
(220) 2017 07 26  
(731) Irina Mtchedlidze  
Moskovis Gamz. 37, b. 25, 0137, Tbilisi,  
Georgia  
(540)



(591) Black, white  
(531) 26.11.08; 26.11.12; 27.01.12; 27.05.10;  
27.05.11; 28.19  
(511) 43

(260) AM 2018 93606 A  
(210) AM 93606  
(220) 2017 08 02  
(731) LTD "GALLERIA TBILISI"  
Rustavelis Gamz. 2/4, (nakv. 65/003), 0108,  
Tbilisi, Georgia  
(740) Giorgi Taktakishvili  
(540)

**Galleria Tbilisi - Heart of  
the city**

(591) Black, white  
(526) "Tbilisi"  
(511) 9, 16, 21, 22, 25, 26, 35, 36

(260) AM 2018 93634 A  
(210) AM 93634  
(220) 2017 08 07  
(731) HANKOOK TIRE WORLDWIDE CO., LTD.  
647-15, Ioksam-dongi, Kangnam-gu, Seuli,  
Korea (Republic of)  
(740) Merab Kvimsadze  
(540)

**Hankook SMaRT TERRAIN**

(591) Black, white  
(531) 27.05.05  
(511) 12

(260) AM 2018 93652 A  
(210) AM 93652  
(220) 2017 08 07

(731) MARRIOTT WORLDWIDE  
CORPORATION  
10400 Fernwood Road, Bethesda, Maryland  
20817, USA

(740) Tamaz Shilakadze

(540)

**COURTYARD**  
BY MARRIOTT

(591) Black, white

(531) 27.05.10

(511) 43

---

## REGISTERED TRADEMARKS

(111) M 2018 29366 R

(151) 2018 02 15

(181) 2028 02 15

(260) AM 2016 86677 A

(220) 2016 03 18

(732) LTD "STUDIA MAESTRO"

Didgoris q. 68/22, 3305, Sop. Dighomi,  
Tbilisi, Georgia

(111) M 2018 29369 R

(151) 2018 02 20

(181) 2028 02 20

(260) AM 2016 87630 A

(220) 2016 06 20

(732) LTD "KATEVE KHOBI"

S. Tsintsadzis q. 12, A/P 3-6, sart. 3, 0160,  
Tbilisi, Georgia

(111) M 2018 29370 R

(151) 2018 02 20

(181) 2028 02 20

(260) AM 2016 88181 A

(220) 2016 08 08

(732) MAMUKA JIBUTI

Al. Kazbegis gamz. 24b, b. 28, 0160, Tbilisi,  
Georgia

(111) M 2018 29371 R

(151) 2018 02 20

(181) 2028 02 20

(260) AM 2016 88523 A

(220) 2016 09 09

(732) LTD "CHATEAU AMIREJIBI"

Shota Rustavelis gamz. 71, Telavi, Georgia

(111) M 2018 29372 R

(151) 2018 02 20

(181) 2028 02 20

(260) AM 2016 88798 A

(220) 2016 09 30

(732) LTD "KNIKI"

Sakhalkhos chikhi 11, 0113, Tbilisi,  
Georgia

(111) M 2018 29373 R

(151) 2018 02 20

(181) 2028 02 20

(260) AM 2016 89646 A

(220) 2016 11 28

(732) DAVIT KULIJANASHVILI

Giorgi Merchules q. 6, 4800, Kvareli,  
Georgia

(111) M 2018 29374 R

(151) 2018 02 20

(181) 2028 02 20

(260) AM 2016 89673 A

(220) 2016 11 29

(732) HIGER BUS COMPANY LIMITED

288 Suhong East Road, Suzhou Industrial  
Park, Suzhou, Jiangsu Province, China (CN)

(111) M 2018 29375 R

(151) 2018 02 20

(181) 2028 02 20

(260) AM 2016 89674 A

(220) 2016 11 29

(732) HIGER BUS COMPANY LIMITED

288 Suhong East Road, Suzhou Industrial  
Park, Suzhou, Jiangsu Province, China (CN)

(111) M 2018 29376 R

(151) 2018 02 20

(181) 2028 02 20

(260) AM 2016 89675 A

(220) 2016 11 29

(732) HIGER BUS COMPANY LIMITED

288 Suhong East Road, Suzhou Industrial  
Park, Suzhou, Jiangsu Province, China (CN)

(111) M 2018 29377 R

(151) 2018 02 20

(181) 2028 02 20

(260) AM 2016 89783 A

(220) 2016 12 02

(732) LTD "WINERY NEKRESI"

V. Botchorishvilis q. 37a, sad. 1, sart. 3, b. 11  
"A blok", 0171, Tbilisi, Georgia

(111) M 2018 29378 R

(151) 2018 02 20

(181) 2028 02 20

(260) AM 2016 89784 A

(220) 2016 12 02

(732) LTD "WINERY NEKRESI"

V. Botchorishvilis q. 37a, sad. 1, sart. 3, b. 11  
"A blok", 0171, Tbilisi, Georgia

(111) M 2018 29379 R  
(151) 2018 02 20  
(181) 2028 02 20  
(260) AM 2016 89814 A  
(220) 2016 12 06  
(732) Tinatin Aladashvili  
Nutsubidzis II m/r, kvart. IV, korp. 3,  
b. 51, 0183, Tbilisi, Georgia

---

(111) M 2018 29380 R  
(151) 2018 02 20  
(181) 2028 02 20  
(260) AM 2016 89965 A  
(220) 2016 12 13  
(732) LTD "OLD CELAR TSINANDALI"  
Sop. Tsinandali, 0186, Telavi, Georgia

---

(111) M 2018 29381 R  
(151) 2018 02 20  
(181) 2028 02 20  
(260) AM 2016 90138 A  
(220) 2016 12 26  
(732) ASTRAZENECA UK LIMITED  
Cambridge Biomedical Campus, 1 Francis  
Crick Avenue, Cambridge, CB2 0AA, United  
Kingdom

---

(111) M 2018 29382 R  
(151) 2018 02 20  
(181) 2028 02 20  
(260) AM 2016 90143 A  
(220) 2016 12 27  
(732) LTD "HERMES"  
Dighmis plato, Didgoris quchis mimdebare,  
Tbilisi, Georgia

---

(111) M 2018 29383 R  
(151) 2018 02 20  
(181) 2028 02 20  
(260) AM 2017 90424 A  
(220) 2017 01 14  
(732) Ketevan Kherkheulidze  
A. Shengelias q. 6A, Tbilisi, Georgia

---

(111) M 2018 29384 R  
(151) 2018 02 20  
(181) 2028 02 20  
(260) AM 2017 90428 A  
(220) 2017 01 16  
(732) JSC "INSURANCE COMPANY UNISON"  
Gamrekelis q. 19, I sar., Tbilisi, Georgia

---

(111) M 2018 29385 R  
(151) 2018 02 20  
(181) 2028 02 20  
(260) AM 2017 90504 A  
(220) 2017 01 18  
(732) WOLVERINE OUTDOORS, INC.  
(a Michigan corporation)  
9341 Courtland Drive NE Rockford,  
Michigan 49351, USA

---

(111) M 2018 29386 R  
(151) 2018 02 20  
(181) 2028 02 20  
(260) AM 2017 90593 A  
(220) 2017 01 25  
(732) NOVARTIS AG  
4002 Basel, Switzerland

---

(111) M 2018 29387 R  
(151) 2018 02 20  
(181) 2028 02 20  
(260) AM 2017 90594 A  
(220) 2017 01 25  
(732) NOVARTIS AG  
4002 Basel, Switzerland

---

(111) M 2018 29388 R  
(151) 2018 02 20  
(181) 2028 02 20  
(260) AM 2017 90595 A  
(220) 2017 01 25  
(732) NOVARTIS AG  
4002 Basel, Switzerland

---

(111) M 2018 29389 R  
(151) 2018 02 20  
(181) 2028 02 20  
(260) AM 2017 90596 A  
(220) 2017 01 25  
(732) NOVARTIS AG  
4002 Basel, Switzerland

---

(111) M 2018 29390 R  
(151) 2018 02 20  
(181) 2028 02 20  
(260) AM 2017 90607 A  
(220) 2017 01 27  
(732) NOBEL ILAC SANAYII VE TICARET  
ANONIM SIKRETI Representation in Georgia  
Tavisuplebis moedani 4, Tbilisi, Georgia

---

---

|   |  |
|---|--|
| (111) M 2018 29391 R<br>(151) 2018 02 20<br>(181) 2028 02 20<br>(260) AM 2017 90608 A<br>(220) 2017 01 27<br>(732) NOBEL ILAC SANAYII VE TICARET<br>ANONIM SIKRETI Representation in Georgia<br>Tavisuplebis moedani 4, Tbilisi, Georgia                                | 2711 Centerville Road, Suite 300,<br>Wilmington, Delaware 19808, USA   |
| (111) M 2018 29392 R<br>(151) 2018 02 20<br>(181) 2028 02 20<br>(260) AM 2017 90690 A<br>(220) 2017 02 03<br>(732) LTD "KANTI"<br>Samgoris chikhi 4 (nakv. 8/89), 0120, Tbilisi,<br>Georgia   | (111) M 2018 29397 R<br>(151) 2018 02 20<br>(181) 2028 02 20<br>(260) AM 2017 91003 A<br>(220) 2017 02 25<br>(732) GAP (ITM) INC.<br>2 Folsom Street., San Francisco, CA 94105, USA                              |
| (111) M 2018 29393 R<br>(151) 2018 02 20<br>(181) 2028 02 20<br>(260) AM 2017 90691 A<br>(220) 2017 02 03<br>(732) PEPSICO, INC.<br>700 Anderson Hill Road, Purchase, New York,<br>10577, USA   | (111) M 2018 29398 R<br>(151) 2018 02 20<br>(181) 2028 02 20<br>(260) AM 2017 91025 A<br>(220) 2017 02 27<br>(732) INTERSUN HOLDING FZCO.<br>P.O. Box 61051 Jebel Ali Free Zone, Dubai,<br>United Arab Emirates  |
| (111) M 2018 29394 R<br>(151) 2018 02 20<br>(181) 2028 02 20<br>(260) AM 2017 90692 A<br>(220) 2017 02 06<br>(732) ) NISSAN JIDOSHA KABUSHIKI KAISHA<br>(also trading as Nissan Motor Co., Ltd.)<br>No.2, Takara-cho, Kanagawa-ku, Yokohama-shi,<br>Kanagawa-ken, Japan | (111) M 2018 29399 R<br>(151) 2018 02 20<br>(181) 2028 02 20<br>(260) AM 2017 91062 A<br>(220) 2017 02 28<br>(732) CHOICE HOTELS INTERNATIONAL INC.<br>1 Choice Hotels Circle, Rockville, Maryland<br>20850, USA |
| (111) M 2018 29395 R<br>(151) 2018 02 20<br>(181) 2028 02 20<br>(260) AM 2017 90748 A<br>(220) 2017 02 08<br>(732) PHILIP MORRIS BRANDS SÀRL<br>Quai Jeanrenaud 3, 2000 Neuchâtel,<br>Switzerland   | (111) M 2018 29400 R<br>(151) 2018 02 20<br>(181) 2028 02 20<br>(260) AM 2017 91065 A<br>(220) 2017 02 28<br>(732) CHOICE HOTELS INTERNATIONAL INC.<br>1 Choice Hotels Circle, Rockville, Maryland<br>20850, USA |
| (111) M 2018 29396 R<br>(151) 2018 02 2<br>(181) 2028 02 20<br>(260) AM 2017 90977 A<br>(220) 2017 02 23<br>(732) BRITISH AMERICAN TOBACCO<br>(BRANDS) INC (a Delaware corporation)   | (111) M 2018 29401 R<br>(151) 2018 02 20<br>(181) 2028 02 20<br>(260) AM 2017 91068 A<br>(220) 2017 02 28<br>(732) CHOICE HOTELS INTERNATIONAL INC.<br>1 Choice Hotels Circle, Rockville, Maryland<br>20850, USA |
|   | (111) M 2018 29402 R<br>(151) 2018 02 20<br>(181) 2028 02 20<br>(260) AM 2017 91070 A<br>(220) 2017 02 28  |

---

---

(732) CHOICE HOTELS INTERNATIONAL INC.  
1 Choice Hotels Circle, Rockville, Maryland  
20850, USA

---

(111) M 2018 29403 R  
(151) 2018 02 20  
(181) 2028 02 20  
(260) AM 2017 91071 A  
(220) 2017 02 28

(732) CHOICE HOTELS INTERNATIONAL INC.  
1 Choice Hotels Circle, Rockville, Maryland  
20850, USA

---

(111) M 2018 29404 R  
(151) 2018 02 20  
(181) 2028 02 20  
(260) AM 2017 91072 A  
(220) 2017 02 28

(732) CHOICE HOTELS INTERNATIONAL INC.  
1 Choice Hotels Circle, Rockville, Maryland  
20850, USA

---

(111) M 2018 29405 R  
(151) 2018 02 20  
(181) 2028 02 20  
(260) AM 2017 91075 A  
(220) 2017 02 28

(732) CHOICE HOTELS INTERNATIONAL INC.  
1 Choice Hotels Circle, Rockville, Maryland  
20850, USA

---

(111) M 2018 29406 R  
(151) 2018 02 20  
(181) 2028 02 20  
(260) AM 2017 91076 A  
(220) 2017 02 28

(732) CHOICE HOTELS INTERNATIONAL INC.  
1 Choice Hotels Circle, Rockville, Maryland  
20850, USA

---

(111) M 2018 29407 R  
(151) 2018 02 20  
(181) 2028 02 20  
(260) AM 2017 91078 A  
(220) 2017 02 28

(732) CHOICE HOTELS INTERNATIONAL INC.  
1 Choice Hotels Circle, Rockville, Maryland  
20850, USA

---

(111) M 2018 29408 R  
(151) 2018 02 20  
(181) 2028 02 20  
(260) AM 2017 91136 A  
(220) 2017 03 06

---

(732) HASBRO INC.  
1027 Newport Avenue, 02862 Pawtucket,  
Rhode Island, USA

---

(111) M 2018 29409 R  
(151) 2018 02 20  
(181) 2028 02 20  
(260) AM 2017 91180 A  
(220) 2017 03 07

(732) MONSTER ENERGY COMPANY  
a Delaware corporation  
1 Monster Way, Corona, California 92879, USA

---

(111) M 2018 29410 R  
(151) 2018 02 20  
(181) 2028 02 20  
(260) AM 2017 91183 A  
(220) 2017 03 07

(732) ALLERGAN HOLDINGS France SAS  
12 Place de la Defense, 4eme etage, 92400,  
Courbevoie, France

---

(111) M 2018 29411 R  
(151) 2018 02 20  
(181) 2028 02 20  
(260) AM 2017 91188 A  
(220) 2017 03 09

(732) LTD "PALITRA TV"  
Iosebisdzis q. 49, 0160, Tbilisi, Georgia

---

(111) M 2018 29412 R  
(151) 2018 02 20  
(181) 2028 02 20  
(260) AM 2017 91350 A  
(220) 2017 03 22

(732) LTD "SPORTS SCIENCE GEORGIA"  
Manjgaladzis q. 16, 0101, Tbilisi, Georgia

---

(111) M 2018 29413 R  
(151) 2018 02 20  
(181) 2028 02 20  
(260) AM 2017 91354 A  
(220) 2017 03 22

(732) JSC "GEFA"  
Sanapiros q. 6, Old Tbilisi r-n, Tbilisi,  
Georgia

---

(111) M 2018 29414 R  
(151) 2018 02 20  
(181) 2028 02 20  
(260) AM 2017 91355 A  
(220) 2017 03 22

(732) JSC "GEFA"

---



Sanapiros q. 6, Old Tbilisi r-n, Tbilisi,  
Georgia

---

(111) M 2018 29415 R

(151) 2018 02 20

(181) 2028 02 20

(260) AM 2017 91356 A

(220) 2017 03 22

(732) JSC "GEFA"

Sanapiros q. 6, Old Tbilisi r-n, Tbilisi,  
Georgia

---

(111) M 2018 29416 R

(151) 2018 02 20

(181) 2028 02 20

(260) AM 2017 91357 A

(220) 2017 03 22

(732) JSC "GEFA"

Sanapiros q. 6, Old Tbilisi r-n, Tbilisi,  
Georgia

---

(111) M 2018 29417 R

(151) 2018 02 20

(181) 2028 02 20

(260) AM 2017 91500 A

(220) 2017 03 28

(732) LTD "HIGHWAY 2000"

Anagis q. 4, b.75, Vake-Saburtalos raioni,  
Tbilisi, Georgia

---

(111) M 2018 29418 R

(151) 2018 02 20

(181) 2028 02 20

(260) AM 2017 91640 A

(220) 2017 04 11

(732) BASF SE

Carl-Bosch-Strasse 38, Ludwigshafen am  
Rhein, Germany

---

## TRADEMARKS REGISTERED ACCORDING TO THE ACCELERATED PROCEDURE

The decision can be appealed at the Chamber of Appeal of Sakpatenti within 3 months from the publication.

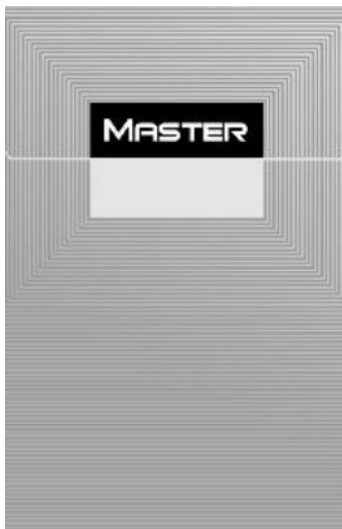
(111) M 2018 29364 R  
(151) 2018 02 12  
(181) 2028 02 12  
(210) AM 96157  
(220) 2018 01 30  
(732) LTD "VAZI +"  
Tsinamdzgvrishvilis q. 4, Zahesi, Gldanis  
r-ni, 0102, Tbilisi, Georgia  
(740) Otari Amilakhvari  
(540)



**BINEKHI**  
W I N E R Y

(591) Black, white  
(531) 26.13.25; 27.05.10; 27.05.17  
(511) 33

(111) M 2018 29365 R  
(151) 2018 02 14  
(181) 2028 02 14  
(210) AM 96112  
(220) 2018 01 25  
(732) "INTERNATIONAL MASIS TABAK" LLC  
10 Gortsaranayin str., Industrial zone, 0802,  
Masis, Ararat region, Armenia  
(740) Giorgi Taktakishvili  
(540)



(591) Silvery, grey, black  
(531) 10.01.10; 10.01.25; 25.07.15; 25.07.20;  
27.05.24; 29.01.12  
(511) 34

(111) M 2018 29367 R  
(151) 2018 02 19  
(181) 2028 02 19  
(210) AM 96222  
(220) 2018 02 05  
(732) LTD AL LAVAT GROUP  
Tsminda Ketevan Dedoplis Gamz., korp. 2,  
b. 103, 0103, Tbilisi, Georgia  
(740) Giorgi Natadze  
(540)



(591) Black, golden  
(531) 25.01.25; 26.01.18; 26.04.10; 26.04.16;  
26.04.24; 27.05.01; 27.05.10; 27.05.24;  
29.01.12  
(511) 43

(111) M 2018 29368 R  
(151) 2018 02 19  
(181) 2028 02 19  
(210) AM 96279  
(220) 2018 02 07  
(732) LTD "ART ITALI"  
Vazha-Pshavelas Gamz. 71, Block 8,  
Office 24, 0186, Tbilisi, Georgia  
(540)



**Aromi**  
**Italiani**

(591) Black, white  
(531) 04.05.21; 24.09.02; 24.09.03; 24.09.04;  
27.05.01; 27.05.17  
(511) 43

---

(111) M 2018 29419 R  
(151) 2018 02 22  
(181) 2028 02 22  
(210) AM 96288  
(220) 2018 02 08  
(732) GALLAHER LIMITED  
Members Hill, Brooklands Road Weybridge,  
Surrey, KT13 0QU, United Kingdom  
(740) Shalva Gvaramadze  
(540)



(591) Grey  
(531) 05.03.01; 05.03.14; 27.01.06; 27.01.12  
(511) 34

---

(111) M 2018 29420 R  
(151) 2018 02 22  
(181) 2028 02 22  
(210) AM 96292  
(220) 2018 02 08  
(732) GALLAHER LIMITED  
Members Hill, Brooklands Road Weybridge,  
Surrey, KT13 0QU, United Kingdom  
(740) Shalva Gvaramadze  
(540)

**EVOLVE**

(511) 34

---

## INTERNATIONAL TRADEMARKS FOR WHICH A DECISION ON GRANTING PROTECTIONS IS TAKEN

The decision can be appealed at the Chamber of Appeal of Sakpatenti within 3 months from the publication or at the Mtskheta District Court Administrative Cases Board (Address: №17, Samkhedro str., Mtskheta), within 1 month following the publication.

(260) AM 2018 88083 A\*  
 (800) 1303228  
 (891) 2016 04 13  
 (731) RIGO TRADING S.A.  
 Route de Trèves 6 EBBC, Building E, L-2633  
 Senningerberg, Luxembourg

(540)



(591) Blue and white  
 (531) 27.05.02; 27.05.17; 29.01.12  
 (511)  
 30 – Confectionery.

(260) AM 2018 88213 A\*  
 (800) 1304111  
 (891) 2016 04 01  
 (731) CSL BEHRING GMBH  
 Emil-von-Behring-Strasse 76, 35041 Marburg,  
 Germany

(540)



(591) Black and white  
 (531) 28.05  
 (511)  
 5 – Pharmaceutical preparations for the treatment of  
 alpha 1-antitrypsin deficiency.

(260) AM 2018 88869 A  
 (800) 1311326  
 (891) 2016 05 19  
 (731) "SOPHARMA" AD  
 Iliensko shose str. 16, BG-1220 Sofia,  
 Bulgaria

(540)



(591) Black, white  
 (531) 27.05.01; 28.05  
 (511)  
 5 – Pharmaceutical and veterinary preparations; sa-  
 nitary preparations for medical purposes; dietetic

substances adapted for medical use, food for babies;  
 plasters, material for dressings; material for stopping  
 teeth, dental wax; disinfectants; preparations for des-  
 troying vermin; fungicides, herbicides.

(260) AM 2018 88880 A  
 (800) 1311623  
 (891) 2016 02 19  
 (731) ALBATUR ENDÜSTRİ ANONİM ŞİRKETİ  
 Çalikhilil Mah. 22. Sk. No:4, Çali, Nifüler,  
 Bursa, Turkey

(540)



(591) Red, white, gray  
 (531) 26.04.18; 27.05.01  
 (511)

6 – Goods and materials of common metal used for  
 storage, wrapping, packaging and sheltering purpo-  
 ses, containers of metal (storage, transport), build-  
 ings of metal, frames of metal for building, poles of  
 metal for building, metal boxes, packaging contain-  
 ers of metal, aluminium foil, fences made of metal,  
 guard barriers of metal, metal tubes, storage conta-  
 iners of metal, metal containers for the transportation  
 of goods, ladders of metal; common metals and their  
 alloys; metal building materials; transportable build-  
 ings of metal; materials of metal for railway tracks;  
 non-electric cables and wires of common metal; iron-  
 mongery, small items of metal hardware; pipes and  
 tubes of metal; safes; ores; doors, windows, shutters,  
 jalousies and their cases and fittings of metal; iron-  
 mongery, small hardware of metal; ventilation ducts,  
 vents, vent covers, pipes, chimney caps, manhole co-  
 vers, grilles of metal for ventilation, heating, sewa-  
 ge, telephone, underground electricity and air condi-  
 tioning installations; metal panels or boards (non-  
 luminous and non-mechanical) used for signalling,  
 route showing, publicity purposes, signboards of me-  
 tal, advertisement columns of metal, signaling panels  
 of metal, non-luminous and non-mechanical traffic  
 signs of metal; pipes of metal for transportation of  
 liquids and gas, drilling pipes of metal and their  
 metal fittings, valves of metal, couplings of metal for  
 pipes, elbows of metal for pipes, clips of metal for  
 pipes, connectors of metal for pipes; metal moulds  
 for casting, other than machine parts.

20 – Furniture, made of any kind of material; packaging containers of wood or plastics, casks for use in transportation or storage, barrels, storage drums, tanks, boxes, storage containers, transportation containers, chests, loading pallets and closures for the aforementioned goods, of wood or plastics; small hardware goods of wood or synthetic materials included in this class, furniture fittings, of wood or synthetic materials, opening and closing mechanisms of wood or synthetic materials.

(260) AM 2018 88900 A

(800) 1083445

(891) 2016 09 14

(731) MARCHESINI GROUP S.P.A.

Via Nazionale, 100 I-40065 PIANORO (BO), Italy

(540)



(591) Black, white

(531) 27.01.01; 27.05.02; 27.05.17

(511)

7 – Automatic machines and apparatus for the packaging of pharmaceuticals, foodstuffs and cosmetics articles; filling machines, selecting machines, cartoning machines, capping machines, piping machines, labeling machines, sealing machines, all for pharmaceuticals, foodstuffs and cosmetics articles; automatic machines and apparatus used in the making and assembling of the bottles and the containers for pharmaceuticals, foodstuffs and cosmetics articles.

9 – Microprocessors for packaging of pharmaceuticals, foodstuffs and cosmetics articles; microprocessors for filling machines, counting machines, measuring machines, selecting machines, cartoning machines, capping machines, piping machines, labeling machines, sealing machines, all for pharmaceuticals, foodstuffs and cosmetics articles; microprocessors for making and assembling bottles and containers for pharmaceuticals, foodstuffs and cosmetics articles; counting machines, measuring machines, for pharmaceuticals, foodstuffs and cosmetics articles.

37 – Maintenance, repair and reconditioning of automatic machines and apparatus, microprocessor based automatic machines and apparatus, all for the packaging of pharmaceuticals, foodstuffs and cosmetics articles, and advisory and consultancy services relating thereto; maintenance, repair and reconditioning of filling machines, counting machines, measuring machines, selecting machines, cartoning machines, capping machines, piping machines, labeling machines, sealing machines, also the microprocessor based ones, for pharmaceuticals, foodstuffs and cosmetics articles, and advisory and consultancy services rela-

ting thereto; maintenance, repair and reconditioning of automatic machines and apparatus, microprocessor operated automatic machines and apparatus, all used in the making and the assembling of the bottles and the containers of pharmaceuticals, foodstuffs and cosmetics articles, and advisory and consultancy services relating thereto.

(260) AM 2018 88908 A\*

(800) 1310157

(891) 2016 09 12

(731) GULF OIL MARKETING GMBH

Biondegasse 4 A-2500 Baden, Austria

(540)

**GULF**

(511)

35 – Retail petrol service station services in relation to petrol, motor oils, lubricants, automobile products and accessories, groceries and traveler's needs; the bringing together, for the benefit of others, of petrol, oils, lubricants and automobile accessories, and of a variety of groceries and travelers' needs, enabling customers to conveniently view and purchase those goods from a petrol service station.

37 – Operating of vehicle service stations; rental and leasing of service station facilities for the repair, servicing, maintenance and cleaning of motor vehicles; service station services; vehicle lubrication; cleaning of vehicle interiors; vehicle, trailer and caravan washing and cleaning; vehicle grinding and polishing services; maintenance and repair of machines and motor vehicles; anti-corrosion treatment for vehicles; tyre repair and fitting; maintenance, greasing, lubricating, engine tuning, repair of motor vehicles; washing, cleaning and polishing of vehicles, trailers, motors and engines; professional advisory services relating to lubrication and maintenance of engines and machinery; refueling of land vehicles.

(260) AM 2018 88909 A\*

(800) 1310158

(891) 2016 09 12

(731) GULF OIL MARKETING GMBH

Biondegasse 4, A-2500 Baden, Austria

(540)



(591) Orange, blue and white

(531) 26.01.11; 26.04.22; 27.05.17; 29.01.13

(511)

35 – Retail petrol service station services in relation to petrol, motor oils, lubricants, automobile products and accessories, groceries and traveler's needs; the bringing together, for the benefit of others, of petrol, oils, lubricants and automobile accessories, and of a variety of groceries and travelers' needs, enabling customers to conveniently view and purchase those goods from a petrol service station.

37 – Operating of vehicle service stations; rental and leasing of service station facilities for the repair, servicing, maintenance and cleaning of motor vehicles; service station services; vehicle lubrication; cleaning of vehicle interiors; vehicle, trailer and caravan washing and cleaning; vehicle grinding and polishing services; maintenance and repair of machines and motor vehicles; anti-corrosion treatment for vehicles; tyre repair and fitting; maintenance, greasing, lubricating, engine tuning, repair of motor vehicles; washing, cleaning and polishing of vehicles, trailers, motors and engines; professional advisory services relating to lubrication and maintenance of engines and machinery; refueling of land vehicles.

(260) AM 2018 89281 A

(800) 1315546

(891) 2016 08 04

(731) Joint Stock Company "VALENTA PHARMACEUTICALS"

Fabrichnaya st., 2, g. Schyolkovo, RU-141101  
Moscow region, Russian Federation

(540)

# ЛАВИТА

(591) Black and white

(531) 28.05

(511)

5 – Dietetic substances adapted for medical use; mineral food supplements; nutritional supplements; drugs for medical purposes; medicines for human purposes; vitamin preparations; preparations of trace elements for human and animal use; pharmaceutical preparations; chemico-pharmaceutical preparations.

(260) AM 2018 89741 A

(800) 1320345

(891) 2016 06 20

(731) KALCEKS, AS

Krustpils iela 53, LV-1057 Rīga, Latvia

(540)

# PROMEDOL KALCEKS ПРОМЕДОЛ КАЛЦЕКС

(511)

1 – Chemicals for industry and science purposes.

(260) AM 2018 89743 A

(800) 1049700

(891) 2016 06 16

(731) SOKLEY S.A. P.O.

Box 958, Pasea Estate, Road Town, Tortola,  
Virgin Islands (British)

(540)

# ТАЙГЕТА

(591) Black, white

(531) 28.05

(511)

1 – Chemicals used in industry (including detergents), science and photography, as well as in agriculture, horticulture and forestry; unprocessed artificial resins, unprocessed plastics; manures; fire extinguishing compositions; tempering and soldering preparations; chemical substances for preserving foodstuffs; tanning substances; adhesives used in industry.

2 – Paints; wood stains; colorants; fireproof paints; lacquers; enamels (varnishes); varnishes; primers; anti-rust oils; oils for the preservation of wood; protective preparations for metals; thinners for paints; thinners for lacquers.

3 – Detergents other than for use in manufacturing operations and for medical purposes; cleaning preparations; polishing preparations; shining preparations.

5 – Disinfectants for hygiene purposes.

35 – Marketing studies; business investigations; efficiency experts; business appraisals; professional business consultancy; import-export agencies; commercial information agencies; business information; sales promotion for others; procurement services for others (purchasing goods and services for other businesses); commercial or industrial management assistance.

(260) AM 2018 89806 A

(800) 1321770

(891) 2016 06 02

(731) Limited Liability Company

"PAINT FACTORY "AURORA"

Budindustrii st., bud. 3, m. Cherkasy 18030,  
Ukraine

(540)



(591) Black, white

(531) 27.05.01

(511)

1 – Chemicals used in industry, science and photography, as well as in agriculture, horticulture and forestry; unprocessed artificial resins, unprocessed plastics; manures; fire extinguishing compositions;

tempering and soldering preparations; chemical substances for preserving foodstuffs; tanning substances; adhesives used in industry; auxiliary fluids for use with abrasives; agar-agar; propellant gases for aerosols; nitrogen; nitrous oxide; nitric acid; nitrogenous fertilisers; nitrogenous fertilisers; acrylic resins, unprocessed; actinium; acidulated water for recharging accumulators; anti-frothing solutions for accumulators; liquids for removing sulfates from accumulators; salts for galvanic batteries; alkaloids; albuminized paper; algarovilla for use in tanning; alginates [gelling and inflating preparations] other than for alimentary purposes; ammonium aldehyde; aldehydes; aluminium alum; aluminium acetate; aluminium hydrate; aluminium iodide; aluminium silicate; aluminium chloride; americium; amylase for industrial purposes; amyl acetate; amyl alcohol; ammonia [volatile alkali] for industrial purposes; anhydrous ammonia; ammoniacal salts; ammonium salts; ammonia alum; chemical preparations for scientific purposes, other than for medical or veterinary use; anhydrides; anti-knock substances for internal combustion engines; antistatic preparations, other than for household purposes; antifreeze; anthranilic acid; size for use in the textile industry; argon; arsenic; lead arsenate; arsenious acid; astatine; fuel for atomic piles; adhesives for billposting; acetate of cellulose, unprocessed; acetates [chemicals]; acetylene; acetylene tetrachloride; acetone; oenological bactericides [chemical preparations for use in wine making]; bacterial preparations other than for medical and veterinary use; bacteriological preparations for acetification; bacteriological preparations other than for medical and veterinary use; balm of gurjun [gurjon, gurjan] for making varnish; glass-staining chemicals; enamel-staining chemicals; salts for coloring metal; color-brightening chemicals for industrial purposes / colour-brightening chemicals for industrial purposes; barytes; baryta paper; barium; barium compounds; barium sulfate; methyl benzene; benzene derivatives; benzene-based acids; detergent additives to gasoline [petrol]; benzoic acid; methyl benzol; bentonite; berkelium; agglutinants for concrete; concrete preservatives, except paints and oils; concrete-aeration chemicals; bicarbonate of soda for chemical purposes; albumin [animal or vegetable, raw material]; iodised albumen; protein [raw material]; malt albumen; biological preparations, other than for medical or veterinary purposes; biochemical catalysts; bismuth; basic gallate of bismuth; Bismuth nitrite for chemical purposes; bichromate of potassium; bichromate of soda; bauxite; boric acid for industrial purposes; chemicals for fermenting wine; bromine for chemical purposes; borax; drilling muds; foundry binding substances; heavy water; fulling preparations; fulling preparations for use in the textile industry; lime chloride; limestone hardening substances; cement for footwear; fat-bleaching chemicals; organic-bleaching chemicals; decolorants for

industrial purposes; chemical preparations for decarbonizing engines; leather-dressing chemicals; tartaric acid; tartar other than for pharmaceutical purposes; vinic alcohol; wine finings; vine disease preventing chemicals; must-finishing preparations; spirits of vinegar [dilute acetic acid]; currying preparations for leather; currying preparations for skins; unsticking and separating preparations; renovating preparations for phonograph records; metal tempering preparations; anti-tarnishing chemicals for windows; toning baths [photography]; viscose; witherite; fire extinguishing compositions; fireproofing preparations; water-softening preparations; water-purifying chemicals; distilled water; seawater for industrial purposes; hydrogen; hydrogen peroxide for industrial purposes; leather-waterproofing chemicals; textile-waterproofing chemicals; cement-waterproofing chemicals, except paints; seaweeds [fertilizers]; damp-proofing chemicals, except paints, for masonry; wax-bleaching chemicals; grafting wax for trees; coal saving preparations; vulcanization accelerators; bone charcoal; blood charcoal; animal charcoal; carbonic acid; carbonic hydrates; carbon; animal carbon preparations; carbon sulfide; carbon for filters; carbon tetrachloride; gadolinium; protective gases for welding; solidified gases for industrial purposes; gas purifying preparations; getters [chemically active substances]; gallnuts; gallium; gallic acid for the manufacture of ink; alum; galvanizing preparations; baths for galvanizing; brake fluid; gambier; metal hardening preparations; helium; liquids for hydraulic circuits; hydrazine; hydrates; hyposulfites; hypochlorite of soda; china slip; alumina; glycol; glycol ether; glycerides; glycerine for industrial purposes; opacifiers for enamel or glass; glucose for industrial purposes; glucosides; holmium; gallotannic acid; gallnuts; hormones for hastening the ripening of fruit; peat pots for horticulture; compositions for the manufacture of phonograph records; graphite for industrial purposes; guano; humus; soil conditioning chemicals; glaziers' putty; oil cement [putty]; wallpaper removing preparations.

(260) AM 2018 90449 A

(800) 1327296

(891) 2016 09 15

(731) CONDOR GROUP LIMITED

Condor House, 700 Great Cambridge Road

Enfield, Middlesex EN3 3EA, United Kingdom

(540)



ROYAL  
LONDON

(591) Black, white  
(531) 24.09.01; 27.05.05  
(511)

14 – Watches and other horological and chronometric instruments; straps for watches, bracelets for watches and parts and fittings for all the aforesaid goods.

(260) AM 2018 90708 A

(800) 1329417

(891) 2016 06 14

(731) GIANVITO ROSSI S.R.L. UNIPERSONALE  
Via Monte Napoleone, 29, I-20121 Milano,  
Italy

(540)

## GIANVITO ROSSI

(511)

3 – Soaps; perfumery; essential oils; cosmetics; hair lotions; dentifrices; eau de cologne; cosmetic creams; sachets for perfuming linen; air fragrancing preparations; talcum powder, for toilet use.

9 – Spectacle cases; eyeglass chains; spectacle lenses; spectacle frames; sunglasses; goggles for sports; spectacles [optics].

14 – Jewellery; horological and chronometric instruments; rings [jewellery, jewelry (am.)]; cuff links; bracelets [jewellery, jewelry (am.)]; watch bracelets [bands]; necklaces [jewellery, jewelry (am.)]; earrings; hat ornaments of precious metal.

18 – Trunks [luggage]; vanity cases, not fitted; suit cases; walking bags; travelling sets [leatherware]; shoe bags; school satchels; key cases; umbrellas; wallets; pouch baby carriers; purses; leather briefcases.

24 – Lining for shoes; fabric for footwear; materials (textile -) for use in the manufacture of insoles; materials (textile -) for use in the manufacture of linings for footwear.

25 – Footwear; clothing gloves; belts.

26 – Shoe buckles; metal fasteners for footwear; shoe ornaments [not of precious metal]; shoe hooks; shoe laces.

35 – Retailing, wholesaling and online commercial services in relation to soaps, perfumery, essential oils, cosmetics, hair lotions, dentifrices, eau de cologne, cosmetic creams, sachets for perfuming linen, air fragrancing preparations, talcum powder, for toilet use, spectacle cases, eyeglass chains, spectacle lenses, spectacle frames, sunglasses, goggles for sports, spectacles [optics], jewellery, horological and chronometric instruments, rings [jewellery, jewelry (am.)], cuff links, bracelets [jewellery, jewelry (am.)], watch bracelets [bands], necklaces [jewellery jewelry (am.)], earrings, hat ornaments of precious

metal, trunks [luggage], vanity cases, not fitted, suit cases, walking bags, travelling sets [leatherware], shoe bags, school satchels, key cases, umbrellas, wallets, pouch baby carriers, purses, leather briefcases, lining for shoes, fabric for footwear, materials (textile -) for use in the manufacture of insoles, materials (textile -) for use in the manufacture of linings for footwear, footwear, clothing gloves, belts, shoe buckles, metal fasteners for footwear, shoe ornaments [not of precious metal], shoe hooks, shoe laces.

42 – Design services; design of footwear; footwear design services.

(260) AM 2018 90709 A

(800) 1329879

(891) 2016 08 03

(731) LIMITED LIABILITY COMPANY

A serial Novoostapovskaya street, str. 3, 5,  
RU-115088 Moscow, Russian Federation

(540)



(591) Black, white

(531) 27.05.21

(511)

9 – DVD players; ticket dispensers; coin-operated musical automata [juke boxes]; answering machines; fire engines; electrical adapters; accumulators, electric; accumulators, electric, for vehicles; actinometers; accelerometers; alidades; altimeters; ammeters; anemometers; anodes; antennas; anticathodes; apertometers [optics]; high-frequency apparatus; testing apparatus not for medical purposes; remote control apparatus; electro-dynamic apparatus for the remote control of railway points; electro-dynamic apparatus for the remote control of signals; monitoring apparatus, electric; sound recording apparatus; Global Positioning System [GPS] apparatus; distillation apparatus for scientific purposes; blueprint apparatus; diffraction apparatus [microscopy]; air analysis apparatus; apparatus to check franking; sound transmitting apparatus; apparatus for fermentation [laboratory apparatus]; breathing apparatus for underwater swimming; breathing apparatus, except for artificial respiration; apparatus and installations for the production of X-rays, not for medical purposes; cash registers; electric apparatus for commutation; intercommunication apparatus; stills for laboratory experiments; projection apparatus; radiological apparatus for industrial purposes; X-ray apparatus not for me-



dical purposes; flashing lights [luminous signals]; stereoscopic apparatus; telephone apparatus; facsimile machines; phototelegraphy apparatus; igniting apparatus, electric, for igniting at a distance; acid hydrometers; salinometers; acidimeters for batteries; aerometers; beacons, luminous; battery jars; barometers; anode batteries; galvanic batteries; batteries for lighting; solar batteries; batteries, electric; solar panels for the production of electricity; body armor; balances [steelyards]; betatrons; binoculars; electronic tags for goods; magnetic tape units for computers; computer memory devices; fire hose nozzles; encoded identification bracelets, magnetic; safety tarpaulins; signalling buoys; life buoys; marking buoys; directional compasses; vacuum gauges; electrolyzers; variometers; verniers; scales; letter scales; weighbridges; precision balances; levelling staffs [surveying instruments]; camcorders; video cassettes; video telephones; video screens; viewfinders, photographic; sockets, plugs and other contacts [electric connections]; micrometer screws for optical instruments; viscosimeters; circuit closers; wavemeters; voltmeters; switchboxes [electricity]; current rectifiers; gas testing instruments; gasometers [measuring instruments]; galvanometers; hands-free kits for telephones; heliographic apparatus; hygrometers; hydrometers; weights; peepholes [magnifying lenses] for doors; holograms; plotters; loudspeakers; sounding leads; plumb bobs; range finders; densimeters; densitometers; optical goods; detectors; smoke detectors; counterfeit [false] coin detectors; transparencies [photography]; slide projectors; diaphragms [photography]; dictating machines; dynamometers; light-emitting diodes [LED]; floppy disks; sound recording discs; disks, magnetic; optical discs; circular slide rules; disk drives for computers; juke boxes for computers; DNA chips; electronic notice boards; bullet-proof waistcoats [vests (Am.)]; life jackets; identification threads for electric wires; nose clips for divers and swimmers; locks, electric; bells [warning devices]; alarm bells, electric; electric door bells; signal bells; acoustic conduits; mirrors for inspecting work; road signs, luminous or mechanical; mechanical signs; signs, luminous; marine depth finders; probes for scientific purposes; buzzers; needles for record players; measures; pressure measuring apparatus; simulators for the steering and control of vehicles; inverters [electricity]; pressure indicators; temperature indicators; incubators for bacteria culture; measuring instruments; cosmographic instruments; mathematical instruments; levelling instruments; instruments containing eyepieces; surveying instruments; azimuth instruments; interfaces for computers; ionization apparatus not for the treatment of air or water; spark-guards; coaxial cables; fibre [fiber (Am.)] optic cables; cables, electric; calipers; slide calipers; screw-tapping gauges; calculating machines; pocket calculators; decompression chambers; cinematographic cameras; electronic pens [visual

display units]; holders for electric coils; identity cards, magnetic; video game cartridges; encoded magnetic cards; riding helmets; protective helmets; carriers for dark plates [photography]; automated teller machines [ATM]; cathodes; spools [photography]; choking coils [impedance]; coils, electric; electromagnetic coils; life-saving capsules for natural disasters; cinematographic film, exposed; computer keyboards; solenoid valves [electromagnetic switches]; wire connectors [electricity]; electronic agendas; push buttons for bells; mouse pads; magnetic encoders; anti-glare visors; collectors, electric; calibrating rings; protective suits for aviators; commutators; compact discs [audio-video]; compact discs [read-only memory]; comparators; marine compasses; computers; laptop computers; notebook computers; condensers [capacitors]; contacts, electric; wind socks for indicating wind direction; traffic cones; branch boxes [electricity]; distribution boxes [electricity]; junction boxes [electricity]; battery boxes; cabinets for loudspeakers; diving suits; galena crystals [detectors]; reflecting discs for wear, for the prevention of traffic accidents; covers for electric outlets; logs [measuring instruments]; lasers, not for medical purposes; lactodensimeters; lactometers; vacuum tubes [radio]; darkroom lamps [photography]; thermionic tubes; amplifying tubes; flashlights [photography]; head cleaning tapes [recording]; magnetic tapes; videotapes; surveying chains; fire escapes; rulers [measuring instruments]; slide-rules; contact lenses; correcting lenses [optics]; optical lenses; optical condensers; sounding lines; electricity conduits; measuring spoons; magnifying glasses [optics]; thread counters; magnets; decorative magnets; crash test dummies; resuscitation mannequins [teaching apparatus]; mouse [computer peripheral]; pressure gauges; divers' masks; solderers' helmets; protective masks; materials for electricity mains [wires, cables]; voting machines; money counting and sorting machines; material testing instruments and machines; furniture especially made for laboratories; megaphones; portable media players; diaphragms [acoustics]; diaphragms for scientific apparatus; metal detectors for industrial or military purposes; metronomes; rules [measuring instruments]; carpenters' rules; dressmakers' measures; mechanisms for coin-operated apparatus; mechanisms for counter-operated apparatus; coin-operated mechanisms for television sets; shutter releases [photography]; micrometers; microprocessors; microscopes; microtomes; microphones; modems; lightning conductors [rods]; monitors [computer hardware]; monitors [computer programs]; terminals [electricity]; junction sleeves for electric cables; temperature indicator labels, not for medical purposes; teeth protectors; knee-pads for workers; headphones; surveyors' levels; sound recording carriers; magnetic data media; optical data media; socks, electrically heated; computer software, recorded; sheaths for electric cables; identification

sheaths for electric wires; weighing machines; punched card machines for offices; life saving apparatus and equipment; computer apparatus; shoes for protection against accidents, irradiation and fire; objectives [lenses] [optics]; lenses for astrophotography; egg-candlers; fire extinguishers; electrified fences; limiters [electricity]; clothing for protection against accidents, irradiation and fire; clothing for protection against fire; asbestos clothing for protection against fire; clothing especially made for laboratories; ozonisers [ozonators]; octants; eyepieces; ohmmeters; wrist rests for use with computers; eyeglass frames; oscillographs; plumb lines; mirrors [optics]; eyeglasses; sunglasses; goggles for sports; signalling panels, luminous or mechanical; radio pagers; pince-nez; electronic pocket translators; transmitters [telecommunication]; telephone transmitters; transmitters of electronic signals; switches, electric; periscopes; gloves for divers; gloves for protection against accidents; gloves for protection against X-rays for industrial purposes; asbestos gloves for protection against accidents; furnaces for laboratory use; pipettes; pyrometers; planimeters; plane tables [surveying instruments]; plates for batteries; wafers for integrated circuits; printed circuit boards; compact disc players; cassette players; sound recording strips; X-ray films, exposed; films, exposed; life-saving rafts; laboratory trays; digital signs; semi-conductors; polarimeters; fire pumps; measuring glassware; life belts; fuses; circuit breakers; converters, electric; telerupters; food analysis apparatus; diagnostic apparatus, not for medical purposes; distance recording apparatus; distance measuring apparatus; speed measuring apparatus [photography]; appliances for measuring the thickness of leather; apparatus for measuring the thickness of skins; speed checking apparatus for vehicles; teaching apparatus; time recording apparatus; hemline markers; apparatus and instruments for astronomy; surveying apparatus and instruments; weighing apparatus and instruments; nautical apparatus and instruments; navigational instruments; optical apparatus and instruments; apparatus and instruments for physics; chemistry apparatus and instruments; measuring apparatus; measuring devices, electric; boiler control instruments; meteorological instruments; naval signalling apparatus; observation instruments; satellite navigational apparatus; navigation apparatus for vehicles [on-board computers]; regulating apparatus, electric; precision measuring apparatus; audio- and video-receivers; prisms [optics]; printers for use with computers; retorts' stands; apparatus for changing record player needles; drainers for use in photography; cleaning apparatus for sound recording discs; fire beaters; telescopic sights for firearms; telescopic sights for artillery; test tubes; pressure indicator plugs for valves; magnetic wires; telegraph wires; telephone wires; wires, electric; conductors, electric; copper wire, insulated; fuse wire; computer programmes [programs], recorded; co-

mputer game software; computer programs [downloadable software]; computer operating programs, recorded; record players; processors [central processing units]; rods for water diviners; electronic publications, downloadable; distribution consoles [electricity]; control panels [electricity]; radar apparatus; masts for wireless aerials; transmitting sets [telecommunication]; radios; vehicle radios; sprinkler systems for fire protection; frames for photographic transparencies; screens for photoengraving; walkie-talkies; voltage surge protectors; voltage regulators for vehicles; stage lighting regulators; light dimmers [regulators], electric; speed regulators for record players; cell switches [electricity]; washing trays [photography]; marking gauges [joinery]; time switches, automatic; relays, electric; safety restraints, other than for vehicle seats and sports equipment; X-ray photographs, other than for medical purposes; rheostats; respirators for filtering air; respiratory masks, other than for artificial respiration; retorts; refractometers; refractors; grids for batteries; speaking tubes; horns for loudspeakers; saccharometers; optical fibers [fibres] [light conducting filaments]; traffic-light apparatus [signalling devices]; dog whistles; signalling whistles; sextants; inductors [electricity]; safety nets; nets for protection against accidents; fire alarms; signals, luminous or mechanical; sirens; scanners [data processing equipment]; integrated circuit cards [smart cards]; connections for electric lines; couplings, electric; connectors [electricity]; sonars; sound locating instruments; lighting ballasts; resistances, electric; spectrograph apparatus; spectrosopes; speed indicators; alcoholmeters; satellites for scientific purposes; protection devices for personal use against accidents; audiovisual teaching apparatus; radiotelegraphy sets; radiotelephony sets; spectacle lenses; anti-glare glasses; optical glass; personal stereos; stereoscopes; stands for photographic apparatus; stroboscopes; fire boats; sulfimeters; bags adapted for laptops; drying racks [photography]; spherometers; integrated circuits; printed circuits; counters; parking meters; kilometer recorders for vehicles; revolution counters; abacuses; egg timers [sandglasses]; taximeters; ear plugs for divers; tachometers; television apparatus; telegraphs [apparatus]; telescopes; teleprompters; teleprinters; cordless telephones; cellular phones; theodolites; thermometers, not for medical purposes; thermostats; thermostats for vehicles; crucibles [laboratory]; tone arms for record players; totalizers; transistors [electronic]; transponders; protractors [measuring instruments]; transformers [electricity]; step-up transformers; vehicle breakdown warning triangles; triodes; starter cables for motors; discharge tubes, electric, other than for lighting; capillary tubes; neon signs; X-ray tubes not for medical purposes; telephone receivers; Pitot tubes; gauges; quantity indicators; automatic indicators of low pressure in vehicle tires [tyres]; gasoline gauges; water level indi-

cators; electric loss indicators; light-emitting electronic pointers; slope indicators; levels [instruments for determining the horizontal]; mercury levels; spirit levels; urinometers; amplifiers; particle accelerators; electric installations for the remote control of industrial operations; steering apparatus, automatic, for vehicles; balancing apparatus; video recorders; sound reproduction apparatus; invoicing machines; tape recorders; protection devices against X-rays, not for medical purposes; railway traffic safety appliances; data processing apparatus; oxygen trans-vasing apparatus; theft prevention installations, electric; film cutting apparatus; drying apparatus for photographic prints; optical character readers; centering apparatus for photographic transparencies; dosage dispensers; battery chargers; chargers for electric batteries; acoustic [sound] alarms; sounding apparatus and machines; editing appliances for cinematographic films; cathodic anti-corrosion apparatus; couplers [data processing equipment]; anti-theft warning apparatus; computer peripheral devices; anti-interference devices [electricity]; demagnetizing apparatus for magnetic tapes; acoustic couplers; alarms; fog signals, non-explosive; whistle alarms; adding machines; readers [data processing equipment]; heat regulating apparatus; photocopiers [photographic, electrostatic, thermic]; bar code readers; downloadable ring tones for mobile phones; downloadable image files; downloadable music files; animated cartoons; filters [photography]; filters for respiratory masks; filters for ultraviolet rays, for photography; USB flash drives; magic lanterns; optical lamps; signal lanterns; cameras [photography]; glazing apparatus for photographic prints; shutters [photography]; darkrooms [photography]; photometers; flash-bulbs [photography]; enlarging apparatus [photography]; photovoltaic cells; digital photo frames; containers for contact lenses; eyeglass cases; containers for microscope slides; cases especially made for photographic apparatus and instruments; chromatography apparatus for laboratory use; chronographs [time recording apparatus]; laboratory centrifuges; eyeglass chains; cyclotrons; compasses [measuring instruments]; frequency meters; time clocks [time recording devices]; Petri dishes; fire blankets; sleeves for laptops; chips [integrated circuits]; jigs [measuring instruments]; pedometers; meteorological balloons; electrified rails for mounting spot lights; asbestos screens for firemen; fire hose; protective helmets for sports; cell phone straps; eyeglass cords; tripods for cameras; switchboards; distribution boards [electricity]; screens [photography]; workmen's protective face-shields; projection screens; radiology screens for industrial purposes; fluorescent screens; exposure meters [light meters]; ducts [electricity]; galvanic cells; epidiascopes; ergometers; armatures [electricity].

16 – Fountain pens; aquarelles; albums; almanacs; document laminators for office use; mimeograph ap-

paratus and machines; atlases; posters; paper bows; table linen of paper; tickets; forms, printed; announcement cards [stationery]; note books; pads [stationery]; drawing pads; loose-leaf binders; booklets; paper sheets [stationery]; waxed paper; paper for recording machines; wristbands for the retention of writing instruments; pamphlets; paper for radiograms; electrocardiograph paper; drawer liners of paper, perfumed or not; wood pulp paper; carbon paper; copying paper [stationery]; parchment paper; writing paper; luminous paper; Xuan paper for Chinese painting and calligraphy; toilet paper; wrapping paper; filter paper; paper; blotters; newsletters; rollers for typewriters; house painters' rollers; composing sticks; modelling wax, not for dental purposes; signboards of paper or cardboard; sewing patterns; newspapers; electrotypes; hectographs; modelling clay; polymer modelling clay; terrestrial globes; drawing sets; engravings; slate pencils; pencil leads; document holders [stationery]; pencil holders; chalk holders; holders for checkbooks [cheque books]; holders for stamps [seals]; diagrams; engraving plates; writing slates; blackboards; galley racks [printing]; drawing boards; advertisement boards of paper or cardboard; duplicators; punches [office requisites]; cream containers of paper; magazines [periodicals]; money clips; tags for index cards; pen clips; bookmarkers; etching needles; tracing needles for drawing purposes; periodicals; printed publications; paper shredders for office use; art pictures; credit card imprints, non-electric; graining combs; drawing instruments; calendars; tracing paper; tracing cloth; tracing patterns; gums [adhesives] for stationery or household purposes; lithographic stones; ink stones [ink reservoirs]; pencils; pencil lead holders; charcoal pencils; pictures; transfers [decalcomanias]; paintings [pictures], framed or unframed; wood pulp board [stationery]; cardboard; hat boxes of cardboard; files [office requisites]; cards; index cards [stationery]; geographical maps; paper tapes and cards for the recordal of computer programmes; trading cards other than for games; perforated cards for Jacquard looms; catalogues; spools for inking ribbons; covers of paper for flower pots; paintbrushes; painters' brushes; writing brushes; typewriter keys; glue for stationery or household purposes; isinglass for stationery or household purposes; gluten [glue] for stationery or household purposes; starch paste [adhesive] for stationery or household purposes; printing blocks; books; manifolds [stationery]; comic books; drawing pins; cigar bands; envelopes [stationery]; cases for stamps [seals]; boxes of cardboard or paper; paint boxes [articles for use in school]; correcting fluids [office requisites]; stencils [stationery]; French curves; paper ribbons; typewriter ribbons; gummed tape [stationery]; adhesive bands for stationery or household purposes; correcting tapes [office requisites]; inking ribbons; inking ribbons for computer printers; adhesive tapes for stationery or

household purposes; self-adhesive tapes for stationery or household purposes; drawing rulers; square rulers; absorbent sheets of paper or plastic for foodstuff packaging; humidity control sheets of paper or plastic for foodstuff packaging; viscose sheets for wrapping; sheets of reclaimed cellulose for wrapping; plastic bubble packs for wrapping or packaging; steel letters; type [numerals and letters]; lithographs; paint trays; architects' models; postage stamps; plastics for modelling; graphic prints; stuffing of paper or cardboard; packing [cushioning, stuffing] materials of paper or cardboard; modelling materials; teaching materials [except apparatus]; sealing compounds for stationery purposes; adhesives [glues] for stationery or household purposes; book-binding material; packaging material made of starches; filtering materials [paper]; addressing machines; pencil sharpening machines, electric or non-electric; bookbinding apparatus and machines [office equipment]; typewriters, electric or non-electric; folders [stationery]; franking machines for office use; chalk for lithography; writing chalk; tailors' chalk; marking chalk; bags [envelopes, pouches] of paper or plastics, for packaging; garbage bags of paper or of plastics; painters' easels; hand-rests for painters; writing cases [stationery]; printing sets, portable [office requisites]; bibs of paper; stickers [stationery]; finger-stalls [office requisites]; cords for bookbinding; paper knives [cutters] [office requisites]; numbering apparatus; bottle envelopes of cardboard or paper; sealing wafers; covers [stationery]; passport holders; plastic cling film, extensible, for palletization; embroidery designs [patterns]; handwriting specimens for copying; oleographs; musical greeting cards; greeting cards; postcards; etchings; conical paper bags; bags for microwave cooking; palettes for painters; ink sticks; pantographs [drawing instruments]; folders for papers; papier mâché; pastels [crayons]; modelling paste; pen cases; bookbindings; pen wipers; office perforators; pens [office requisites]; nibs of gold; nibs; steel pens; drawing pens; song books; seals [stamps]; sealing stamps; clipboards; address plates for addressing machines; handkerchiefs of paper; plastic film for wrapping; letter trays; trays for sorting and counting money; coasters of paper; desk mats; bookends; stamp stands; mats for beer glasses; stands for pens and pencils; photograph stands; obliterating stamps; inking pads; stamp pads; binding strips [bookbinding]; towels of paper; inking sheets for document reproducing machines; inking sheets for duplicators; bookbinding cloth; gummed cloth for stationery purposes; printers' blankets, not of textile; portraits; paperweights; writing cases [sets]; inkstands; office requisites, except furniture; writing materials; writing instruments; drawing materials; school supplies [stationery]; hand labelling appliances; adhesive tape dispensers [office requisites]; printed matter; lithographic works of art; prospectuses; printed timetables; ledgers [books]; printers'

reglets; indexes; rubber erasers; elastic bands for offices; drawing T-squares; graphic reproductions; penholders; marking pens [stationery]; tissues of paper for removing make-up; face towels of paper; table napkins of paper; place mats of paper; tablemats of paper; tablecloths of paper; paper clasps; document files [stationery]; scrapers [erasers] for offices; paper-clips; staples for offices; erasing products; biological samples for use in microscopy [teaching materials]; histological sections for teaching purposes; steatite [tailor's chalk]; writing board erasers; composing frames [printing]; sealing wax; arithmetical tables; placards of paper or cardboard; writing or drawing books; fabrics for bookbinding; stationery; pencil sharpeners, electric or non-electric; transparencies [stationery]; stencil plates; cardboard tubes; Indian inks; moisteners [office requisites]; moisteners for gummed surfaces [office requisites]; drawing squares; chart pointers, non-electronic; bottle wrappers of cardboard or paper; envelope sealing machines, for offices; sealing machines for offices; vignetting apparatus; apparatus for mounting photographs; stapling presses [office requisites]; manuals [handbooks]; figurines [statuettes] of papier mâché; paper coffee filters; flags of paper; flyers; silver paper; molds for modelling clays [artists' materials]; photo-engravings; photographs [printed]; stencil cases; canvas for painting; chromolithographs [chromos]; compasses for drawing; numbers [type]; watercolor [watercolour] saucers for artists; correcting ink [heliography]; ink; inkwells; blueprints; rosaries; stencils; erasing shields; balls for ball-point pens; cabinets for stationery [office requisites]; printing type; address stamps; stamps [seals]; shields [paper seals]; prints [engravings]; labels, not of textile.

25 – Wimples; bandanas [neckerchiefs]; underwear; sweat-absorbent underwear; berets; overalls; boas [necklets]; ankle boots; teddies [undergarments]; half-boots; ski boots; boots for sports; breeches for wear; trousers; football boots; brassieres; valenki [felted boots]; detachable collars; collars [clothing]; shirt yokes; veils [clothing]; gabardines [clothing]; galoshes; neckties; ascots; leggings [leg warmers]; gaiters; boot uppers; corselets; jerseys [clothing]; vests; sports jerseys; hosiery; heels; boxer shorts; hoods [clothing]; hat frames [skeletons]; pockets for clothing; neck scarfs [mufflers]; visors [headwear]; cap peaks; tights; slips [undergarments]; combinations [clothing]; wet suits for water-skiing; bodices [lingerie]; corsets [underclothing]; suits; bathing suits; masquerade costumes; beach clothes; jackets [clothing]; stuff jackets [clothing]; fishing vests; leggings [trousers]; liveries; camisoles; cuffs; short-sleeve shirts; mantillas; coats; sleep masks; furs [clothing]; mittens; miters [hats]; muffs [clothing]; footmuffs, not electrically heated; heelpieces for footwear; bibs, not of paper; fur stoles; ear muffs [clothing]; socks; sweat-absorbent socks; footwear; be-

ach shoes; sports shoes; paper clothing; outerclothing; ready-made clothing; motorists' clothing; cyclists' clothing; clothing for gymnastics; clothing of imitations of leather; clothing of leather; clothing; uniforms; fittings of metal for footwear; maniples; overcoats; parkas; pelerines; ski gloves; gloves [clothing]; pajamas (Am.); bathing trunks; shirt fronts; scarfs; pocket squares; dresses; waterproof clothing; headbands [clothing]; garters; sock suspenders; stocking suspenders; ready-made linings [parts of clothing]; dress shields; soles for footwear; braces for clothing [suspenders]; lace boots; ponchos; belts [clothing]; girdles; money belts [clothing]; layettes [clothing]; non-slipping devices for footwear; heel-pieces for stockings; welts for footwear; chasubles; shirts; koma-geta [low wooden clogs]; sandals; bath sandals; boots; sarongs; jumper dresses; saris; sweaters; footwear uppers; inner soles; albs; bath slippers; knitwear [clothing]; togas; underpants; gymnastic shoes; slippers; shoes; skull caps; turbans; headgear for wear; aprons [clothing]; tee-shirts; dressing gowns; bath robes; top hats; tips for footwear; stockings; sweat-absorbent stockings; shawls; paper hats [clothing]; caps [headwear]; shower caps; bathing caps; sashes for wear; studs for football boots; hats; babies' pants [underwear]; trouser straps; pelisses; esparto shoes or sandals; skirts; petticoats; skorts.

35 – Arranging subscriptions to telecommunication services for others; import-export agency services; commercial information agency services; advertising agency services; cost price analysis; rental of advertising space; business auditing; employment agency services; computerized file management; book-keeping; invoicing; business efficiency expert services; demonstration of goods; transcription of communications [office functions]; opinion polling; market studies; business information; commercial information and advice for consumers [consumer advice shop]; business investigations; marketing research; business research; personnel recruitment; business management and organization consultancy; business organization consultancy; business management consultancy; personnel management consultancy; professional business consultancy; layout services for advertising purposes; marketing; business management of performing artists; business management of sports people; writing of résumés for others; news clipping services; updating of advertising material; word processing; organization of exhibitions for commercial or advertising purposes; arranging newspaper subscriptions for others; organization of fashion shows for promotional purposes; organization of trade fairs for commercial or advertising purposes; shop window dressing; design of advertising materials; business appraisals; payroll preparation; data search in computer files for others; sponsorship search; business management assistance; commercial or industrial management assistance; presentation of goods on communication media, for retail

purposes; provision of an on-line marketplace for buyers and sellers of goods and services; economic forecasting; auctioneering; retail or wholesale services for pharmaceutical, veterinary and sanitary preparations and medical supplies; sales promotion for others; production of advertising films; office machines and equipment rental; rental of advertising time on communication media; publicity material rental; rental of billboards [advertising boards]; rental of vending machines; rental of photocopying machines; publication of publicity texts; radio advertising; bill-posting; distribution of samples; dissemination of advertising matter; direct mail advertising; writing of publicity texts; advertising; on-line advertising on a computer network; advertising by mail order; television advertising; document reproduction; compilation of statistics; compilation of information into computer databases; business inquiries; systemization of information into computer databases; advisory services for business management; tax preparation; drawing up of statements of accounts; telemarketing services; psychological testing for the selection of personnel; business management of hotels; commercial administration of the licensing of the goods and services of others; administrative processing of purchase orders; outsourced administrative management for companies; business management of reimbursement programs for others; public relations; modelling for advertising or sales promotion; typing; relocation services for businesses; tax filing services; secretarial services; price comparison services; procurement services for others [purchasing goods and services for other businesses]; shorthand; outsourcing services [business assistance]; telephone answering for unavailable subscribers; photocopying services.

38 – News agency services; wireless broadcasting; television broadcasting; cable television broadcasting; electronic bulletin board services [telecommunications services]; information about telecommunication; providing user access to global computer networks; providing access to databases; providing internet chatrooms; providing telecommunications connections to a global computer network; providing telecommunication channels for teleshopping services; transmission of greeting cards online; message sending; computer aided transmission of messages and images; transmission of telegrams; transmission of digital files; electronic mail; providing online forums; videoconferencing services; rental of message sending apparatus; rental of access time to global computer networks; rental of modems; rental of telecommunication equipment; rental of telephones; rental of facsimile apparatus; radio broadcasting; radio communications; communications by fiber optic networks; communications by cellular phones; communications by computer terminals; satellite transmission; communications by telegrams; communications by telephone; facsimile transmission; paging

services [radio, telephone or other means of electronic communication]; teleconferencing services; telex services; voice mail services; telecommunications routing and junction services; telegraph services; telephone services; streaming of data.

41 – Modelling for artists; academies [education]; rental of sports grounds; rental of tennis courts; lending library services; booking of seats for shows; videotaping; physical education; discotheque services; animal training; dubbing; gambling services; publication of books; education information; recreation information; entertainment information; movie studio services; health club services [health and fitness training]; nightclub services [entertainment]; layout services, other than for advertising purposes; microfilming; videotape editing; production of radio and television programmes; music-halls; production of music; game services provided online from a computer network; providing on-line electronic publications, not downloadable; religious education; gymnastic instruction; correspondence courses; practical training [demonstration]; organization of balls; organization of exhibitions for cultural or educational purposes; providing recreation facilities; arranging and conducting of colloquiums; arranging and conducting of congresses; arranging and conducting of conferences; arranging and conducting of concerts; arranging and conducting of seminars; arranging and conducting of workshops [training]; arranging and conducting of symposiums; organization of competitions [education or entertainment]; arranging of beauty contests; organization of lotteries; organization of fashion shows for entertainment purposes; organization of shows [impresario services]; organization of sports competitions; vocational guidance [education or training advice]; amusement park services; sign language interpretation; television entertainment; mobile library services; vocational retraining; providing karaoke services; providing golf facilities; providing sports facilities; providing amusement arcade services; cinema presentations; presentation of live performances; theatre productions; conducting fitness classes; educational examination; timing of sports events; film production, other than advertising films; rental of audio equipment; rental of video cameras; rental of video cassette recorders; rental of videotapes; rental of show scenery; rental of sound recordings; toy rental; rental of movie projectors and accessories; rental of motion pictures; games equipment rental; rental of stadium facilities; rental of lighting apparatus for theatrical sets or television studios; rental of radio and television sets; rental of skin diving equipment; rental of sports equipment, except vehicles; rental of stage scenery; electronic desktop publishing; on-line publication of electronic books and journals; publication of texts, other than publicity texts; radio entertainment; entertainer services; entertainment services; writing of texts, other than publicity texts; zoological garden

services; news reporters services; party planning [entertainment]; music composition services; subtitling; tutoring; holiday camp services [entertainment]; disc jockey services; personal trainer services [fitness training]; providing casino facilities [gambling]; calligraphy services; club services [entertainment or education]; providing museum facilities [presentation, exhibitions]; teaching; orchestra services; translation; scriptwriting services; ticket agency services [entertainment]; coaching [training]; sport camp services; recording studio services; language interpreter services; services of schools [education]; nursery schools; photography; photographic reporting; circuses; boarding school education; production of shows.

(260) AM 2018 90715 A

(800) 1329436

(891) 2016 09 02

(731) OU-DEAN FOODS FACTORY CO., LTD.

No.20, Hsin Kong Rd., Pei-Tou Industrial Park, Chang Hus Hsien, Taiwan, China

(540)



(591) Black and white

(531) 01.15.11; 11.03.04; 24.03.07; 24.03.16

(511)

30 – Coffee flavorings; coffee; biscuits; coffee-based beverages; tea; tea-based beverages; candy; cakes; instant noodles; ice cream.

(260) AM 2018 91117 A

(800) 1332924

(891) 2016 08 15

(731) BADE İÇECEK VE GIDA ANONİM ŞİRKETİ

İçerenköy Mah. Değirmenyolu, Cad. Birman İş Merkezi 23/9, İstanbul, Turkey

(540)



(591) Grey, red, blue and white  
(531) 03.04.11; 27.05.02; 29.01.13  
(511)

30 – Coffee, tea, cocoa; sugar; rice; artificial coffee; flour and preparations made from cereals; bread; pastry and confectionery; ices; honey; treacle; yeast; baking-powder; salt; mustard; vinegar; sauces (condiments); spices; ice.

32 – Beers; mineral and aerated waters and other non-alcoholic drinks; fruit drinks and fruit juices; syrups; energy drinks and other preparations for making beverages.

(260) AM 2018 91149 A  
(800) 1308612  
(891) 2016 12 08

(731) OLAM INTERNATIONAL LIMITED  
7 Straits View, #20-01 Marina One East  
Tower Singapore 018936, Singapore

(540)

## OLAM

(511)

1 – Fertilizers; fertilizing preparations; phosphates [fertilisers]; superphosphates [fertilisers]; salts [fertilisers]; nitrogen; nitrogenous fertilisers; potash; potash water; ammoniacal salts; ammonia alum; anhydrous ammonia.

17 – Rubber, raw or semi-worked; liquid rubber; rubber solutions; latex [rubber].

19 – Wood, semi-worked; building timber; manufactured timber; sawn timber; wood panelling; plywood; planks of wood for building; wood pulp board, for building; mouldable wood.

22 – Raw cotton; cotton tow; cotton waste [flock] for padding and stuffing; textile fibres; raw fibrous textile; raw silk; raw or treated wool; raw linen [flax]; hemp.

29 – Milk and milk products; dairy products containing milk; dairy products; dairy products flavoured with cheese; cheese products; butter; butter preparations; cocoa butter; milk beverages, milk predominating; edible nuts; preserved soya beans for food; edible seeds; prepared seeds; roasted nuts; salted nuts; edible oils and fats; cooking oils; vegetable oils; maize oil; corn oil; palm kernel oil for food; sesame oil; palm oil for food; olive oil for food; sunflower oil for food; coconut oil; flaxseed oil for culinary purposes; processed nuts; mixtures of processed nuts and of raisins; preserved beans; prepared savoury meals in this class predominantly containing seafood, vegetables, meat, egg, cheese, mushrooms or tofu; preserved lentils; pulses (foodstuffs); ground almonds; prepared hazelnuts; prepared peanuts; prepared sesame seeds; cream [dairy products]; processed chickpeas; processed soybeans; tomato juices for cooking;

tomato paste; tomato preserves; tomato puree; tomatoes (cooked); tomatoes (dried); tomatoes (preserved); preserved onions; preserved garlic; preserved vegetables; cooked vegetables; dried vegetables; frozen vegetables; frozen fruits; preserved fruits; stewed fruit; fruit pulp; preparations for making soup; tinned fish; tinned meat; tinned vegetables; tinned fruits; vegetable juices for cooking; all included in this class.

30 – Coffee beans; coffee; instant coffee; cocoa powder; cocoa and foodstuffs containing cocoa as the main constituent; sugar; palm sugar; rice; artificial coffee; preparations made from cereals; pastry; confectionery; spices; allspice; cinnamon [spice]; curry [spice]; cloves [spice]; ginger [spice]; saffron [seasoning]; peppers [seasonings]; pepper; garden herbs, preserved [seasonings]; cocoa-based beverages; cocoa beverages with milk; coffee-based beverages; coffee beverages with milk; chocolate-based beverages; tea-based beverages; unroasted coffee; coffee flavorings; biscuits; maize flakes; maize flour; milled maize; roasted maize; husked barley; crushed barley; crushed oats; processed sorghum; rye flour; flaxseed for human consumption; pasta; noodles; instant noodles; noodle-based prepared meals; prepared savoury meals in this class predominantly containing rice or pasta; prepared savoury meals in the form of pizza; corn flour; maize flour; soya flour; wheat flour; potato flour; tapioca flour; nut flours; milled corn; dried parsley; all included in this class.

31 – Agricultural, horticultural and forestry products and grains; wheat; maize; fresh soya beans; edible seeds (unprocessed); unprocessed cereals; raw cocoa beans; nuts [fruit]; raw nut kernels; unprocessed nuts; malt; almonds [fruits]; fresh hazelnuts; fresh peanuts; unprocessed edible sesame; maize; unprocessed barley; unprocessed sorghum; rye; unprocessed edible flaxseed; fresh chickpeas; rice, unprocessed; sugarcane; fresh fruit; fresh vegetables; fresh onions; fresh garlic; fresh parsley; peppers [plants]; all included in this class.

36 – Insurance services; insurance services relating to property and transit, motor loss or damage, cash and cash in transit, fidelity guarantee, and excess legal liability insurance; financial customs brokerage services; risk management (financial); investment of funds; financial management; financial information; stocks and bonds brokerage.

39 – Transportation services; delivery of goods; shipping of goods; packaging and storage of goods; warehousing and storage services; delivery and distribution (transport) services; logistics (transport) services; rental of vehicles and storage containers; cargo unloading, crating of goods; warehousing of goods in a warehouse in view of their preservation and guarding; refrigerator rental; garage rental; pro-

vision of information, advisory and consultancy services in relation to the aforesaid.

40 – Processing of agricultural products; milk processing; fruit crushing; processing of seeds; material treatment; distillation, fruit crushing and milling of agricultural products for others; sawing [saw mill]; planing of timber [saw mill]; dyeing services, sawing of timber, burnishing by abrasion; timber preservation; woodworking; abrasion; cloth dyeing; dyeing of clothing; textile dyeing; textile treating; textile fireproofing; fabric waterproofing; cloth treating; flour milling; grinding; food smoking; freezing of foods; refining services; processing of oil; food and drink preservation.

44 – Consultancy, advisory and information services relating to agriculture; agriculture services relating to environmental conservation; provision of agricultural information services in the form of agricultural reports; pest control in agriculture; weed control in agriculture; all included in this class.

(260) AM 2018 91269 A

(800) 1334248

(891) 2016 09 06

(731) COMITÉ INTERNATIONAL OLYMPIQUE  
Château de Vidy, CH-1007 Lausanne,  
Switzerland

(540)



(591) Blue, white, yellow, black, green and red

(531) 24.11.25; 26.01.06; 26.04.02; 26.04.09;  
29.01.15

(511)

35 – Advertising; dissemination of advertising matter via all media, in particular in the form of thematic messages centered on human values; advertising by sponsoring; commercial business management; commercial administration; office functions; promoting the goods and services of others, by means of contractual agreements, in particular sponsoring and licensing agreements, enabling them to gain additional notoriety and/or enhanced image and/or a surge of sympathy derived from the notoriety and/or enhanced image resulting from cultural and sporting events, in particular international events, and/or a

surge of sympathy generated by the above; promoting the goods and services of others by means of what is referred to as the initial interest factor leading the public to consider, among a multitude of competitors, goods or services presented to the public bearing signs, emblems or messages able to capture its attention; promoting the goods and services of others by means of the so-called image transfer; rental of advertising space of all type and on all media, whether digital or not; business administration of the participation of national teams to an international athletic competition, and promoting the support to said teams with the public and the concerned circles; inventory management services; consultation relating to stock monitoring services; advertising by means of direct marketing for others consisting in marketing of databases; consultation for advertising by means of direct marketing for others consisting in marketing of databases; consultation services in connection with business reorganization; truck and automobile fleet management services, namely billing and consulting in connection with the administrative management of truck and automobile fleets; business administration consultancy; administrative management of power plants of others; business consultation in connection with the management of power plants, commercial services, namely administration of contracts for repair and servicing, supply chain management services and consulting services relating to the purchase and supply of chemical services and products, supply management and product inventory, limitation of costs; consulting, marketing, analysis of prices and costs concerning devices for electrochemical purification of liquids for industrial use; administrative, commercial and technical management of computer files; data input and processing services; information concerning the sale of raw materials, commercial information, commercial information agencies, rental of photocopiers; promoting the sale of goods and services of others including by means of advertisements, promotional competitions, awarding of prizes and bonuses in the form of promotional lotteries, discounts, reduction tokens and value-added offers in connection with the use of payment cards; promoting sporting competitions and events for use by others; promoting concerts and cultural events for others, organization of exhibitions for commercial or advertising purposes; provision of documentation, namely direct mail advertising, distribution of advertising material, distribution of samples, reproduction of documents; electronic retail sale services; provision of information concerning the purchase of goods and services on line via the Internet and other computer networks; tourist documentation services through tourist agencies, namely advertising concerning transport, travel, hotels, accommodation, food and meals, sports, entertainment and sightseeing tours; maintenance of computerized databases; com-



puterized file management, namely, digital file management comprising a portfolio of images and video sequences intended for use under license in traditional advertising and in the promotion of behavior (moral advertising).

41 – Education; Training; entertainment; sporting and cultural activities, televised sporting and cultural entertainment; organization of exhibitions for cultural and educational purposes; organization of lotteries and competitions; entertainment services provided during sporting events or concerning sporting events; organization of sporting and cultural events and activities; organization of real or virtual sporting competitions; management of sports facilities; rental of audio and video equipment, production of films, other than advertising films; production of sound and video recordings; presentation and distribution of films and of sound and video recordings; rental of films and of sound and video recordings; rental and/or provision via a computer network of interactive education and entertainment products, namely interactive compact discs, CD-ROMs, computer games; entertainment, namely presentation of interactive education and entertainment products, namely interactive compact discs, CD-ROMs, computer games; radio and television coverage of sporting events; production of television and radio programs and of videotapes; production of cartoons; production of animated programs for television; reservation of tickets for sporting events and shows; timing of sports events; organization of beauty contests; interactive entertainment; provision of games on the Internet; provision of raffle services; information concerning entertainment or education, provided on line from a data bank or the Internet; electronic game services provided by means of the Internet; providing on line electronic publications; publication of books, magazines, texts (other than advertising texts) and periodicals; online publication of electronic books, magazines, texts (other than advertising texts) and periodicals; provision of digital music from the Internet; provision of digital music from MP3 web sites; provision of sporting results; information services concerning sports and sporting events; rental of recorded sounds and images; audio production services; information services concerning sporting events provided on line from a computer database or the Internet; editing and publishing services; provision of digital music (non-downloadable); offering digital music by means of telecommunications; publication of statistics regarding sporting results and audience ratings for sporting competitions; training in the use and operation of systems for signaling and notification of crossings for the railway and transit industries; education services in the field of medical imaging and diagnosis, namely conducting of seminars, conferences, symposiums or workshops concerning the pharmaceutical industry, intended for medical practitioners and employees of pharmaceuti-

cal companies; education services, namely conducting of seminars, conferences, symposiums or workshops in the field of life sciences and biotechnology for scientists and researchers; conducting of seminars on problems in connection with industrial water treatment; training services in all the aforesaid fields; training services in the field of management and medicine by means of the use of instructions and demonstrations provided on line, via the Internet, intranets and extranets; education services, namely conducting of practical training workshops, courses and seminars including demonstrations in the field of medicine and management; design, conducting and hosting of courses, seminars and all training activities in the field of information technology; organization and performance of concerts; booking of seats for shows; movie presentations; entertainment information; film production; show production; theater production services; operation of golf facilities; health club services (fitness training); sports camp services; presentation of live performances; film projection; organization of shows (impresario services); holiday camp services [entertainment]; movie studios; news reporters services; provision of on-line electronic publications, not downloadable; music hall services; education services, namely conducting of courses, seminars, presentations, video presentations; provision of educational material, namely dissemination of material in the field of financial knowledge; education services in the field of tourism; information services in the field of tourism, namely information services regarding reservation of tickets for recreational events; information services in the field of tourism, namely information services regarding entertainment; information services in the field of tourism, namely information services regarding planned sporting, cultural and recreational activities; services in connection with entertainment for tourist assistance; tourist reservation services, namely activity and entertainment reservation services; assistance services for tourists concerning reservation of tickets for recreational events; assistance services for tourists concerning planned sporting, cultural and recreational activities; presenting of prizes rewarding the authors of exceptional acts or performances; arranging and conducting ceremonies relating to the presentation of prizes and awards.

---

(260) AM 2018 91271 A  
(800) 1334303  
(891) 2016 11 01  
(731) BEATS ELECTRONICS, LLC  
8600 Hayden Place, Culver City CA 90232, USA  
(540)

## **FAST FUEL**

(511)  
9 – Charging technology in the nature of charging system, namely charging electronic components and

software for headphones, earphones, speakers; chargers, charging cables for use with headphones, earphone, speakers; computer software incorporating feature for use in charging headphones, earphones, speakers; software and electronic components and equipment incorporating charging feature for wireless consumer electronics.

(260) AM 2018 91272 A

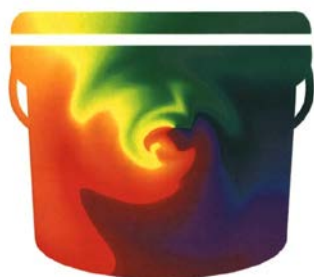
(800) 1334345

(891) 2016 04 06

(731) DAW SE

Roßdörfer Str. 50 64372 Ober-Ramstadt,  
Germany

(540)



**ColorMix**

(591) Yellow, light-green, green, dark-green, dark-blue, blue, purple, dark-red, red, light-red, orange, and black

(531) 19.01.04; 27.05.01; 29.01.15

(511)

2 – Paints; varnishes; lacquers; glazes, glazings (included in this class); preservatives against rust; primers; dyes, dye stuffs, dye paste; mordants; thickeners for paints; fixatives; siccatives (drying agents) for paints; natural resins, raw (included in this class); thinners and binding agents for paints, lacquers and coatings; preservatives against deterioration of wood, wood mordants and oils for the preparation of wood; coatings (included in this class), including those that are structurable; bactericidal/fungicidal paints; anti-corrosive preparations; protective preparations for metals; metals in powder form and metal foil for painters, decorators, printers and artists.

7 – Machine tools; hand-held tools, other than hand-operated, all for paint works and builder; mixing machines for paints, lacquers and coatings; compressed air guns for the extrusion of mastics; spray guns for paints; painting machines.

16 – Paper, cardboard (carton); printed matter; catalogs; brochures, prospectuses, stickers; photographs; stationery; adhesives for paper and stationery or for household purposes; artists' materials; artists' brushes; teaching materials (except apparatus); packaging materials made of plastic, as far as not included in other classes; colour and/or pattern cards; printed material in the nature of colour and/or sample fans,

colour and/or sample card collections, colour and/or sample boards of paper, colour and/or sample board collections of paper; coloured paper.

19 – Building materials, not of metal or mainly not of metal, especially base rails and corner protections; locking profiles (not of metal, for building); adjusting and leveling parts, not of metal, for building; non metallic building materials, namely, spacers; sills not of metal or mainly not of metal; natural and artificial stone; mortar (building materials); quartz; plaster (included in this class); coatings (building materials); wall and ceiling panels (not of metal or mainly not of metal, for building); fabric embedding compounds for building; filler being building materials; fabrics for building, not of metal or mainly not of metal, especially stabilizing fabrics.

37 – Painting services, especially paint mixing services; building construction; building consultancy; building insulating; scaffolding; paper hanging; consultancy with regard to the use of paints, plasters and other coating materials in the construction industry.

(260) AM 2018 91274 A

(800) 1334346

(891) 2016 04 06

(731) DAW SE

Roßdörfer Str. 50, 64372 Ober-Ramstadt, Germany

(540)

**Alpina ColorMix**

(511)

2 – Paints; varnishes; lacquers; glazes, glazings (included in this class); preservatives against rust; primers; dyes, dye stuffs, dye paste; mordants; thickeners for paints; fixatives; siccatives (drying agents) for paints; natural resins, raw (included in this class); thinners and binding agents for paints, lacquers and coatings; preservatives against deterioration of wood, wood mordants and oils for the preparation of wood; coatings (included in this class), including those that are structurable; bactericidal/fungicidal paints; anti-corrosive preparations; protective preparations for metals; metals in powder form and metal foil for painters, decorators, printers and artists.

7 – Machine tools; hand-held tools, other than hand-operated, all for paint works and builder; mixing machines for paints, lacquers and coatings; compressed air guns for the extrusion of mastics; spray guns for paints; painting machines.

16 – Paper, cardboard (carton); printed matter; catalogs; brochures, prospectuses, stickers; photographs; stationery; adhesives for paper and stationery or for household purposes; artists' materials; artists' brushes; teaching materials (except apparatus); packaging materials made of plastic, as far as not included in other classes; colour and/or pattern cards; printed material in the nature of colour and/or sample fans;

colour card and/or sample card collections, colour and/or sample boards of paper, colour and/or sample board collections of paper; colored paper.

19 – Building materials, not of metal or mainly not of metal, especially base rails and corner protections; locking profiles (not of metal, for building); adjusting and leveling parts, not of metal, for building; non metallic building materials, namely spacers; sills not of metal or mainly not of metal; natural and artificial stone; mortar (building materials); quartz; plaster (included in this class); coatings (building materials); wall and ceiling panels (not of metal or mainly not of metal, for building); fabric embedding compounds for building; filler being building materials; fabrics for building, not of metal or mainly not of metal, especially stabilizing fabrics.

37 – Painting services, especially paint mixing services; building construction; building consultancy; building insulating; scaffolding; paper hanging; consultancy with regard to the use of paints, plasters and other coating materials in the construction industry.

(260) AM 2018 91294 A

(800) 1335302

(891) 2016 11 22

(731) SERHII IVANOVYCH DIACHUK  
vul. Ozerna, 10, s. Ivankovychi, Vasylkivskiy  
raion, Kyivska obl. 08632, Ukraine

(540)



(591) Black, white

(531) 05.05.20; 27.05.08

(511)

3 – Hair colorants; colorants for toilet purposes; hair gels; hair conditioners; hair straightening preparations; hair lotions; hair masks; hair waving preparations; dry shampoos, cosmetic dyes; shampoos.

(260) AM 2018 91324 A

(800) 1334749

(891) 2016 06 27

(731) LUNEAU TECHNOLOGY OPERATIONS  
2 rue Roger Bonnet, F-27340 PONT-DE-  
L'ARCHE, France

(540)



(591) Gray, black and white

(531) 02.09.04; 26.03.23; 26.11.12; 26.15.01;  
27.05.01

(511)

9 – Optical and ophthalmic apparatus and instruments; apparatus for physics, optics and electrotechnics; refraction apparatus; apparatus and instruments for carrying out reading and visual acuity tests; lenses for spectacles; spectacle frames and lenses; measuring glasses; trial frames; optical prisms; optical filters; contact lenses; refractometers; reading scales; optical and ophthalmic measuring apparatus; software for measuring and displaying optical and ophthalmic data; software for managing patient information in ophthalmology.

10 – Ophthalmological measuring devices, measuring and testing devices for visual acuity, vision and corneal analysis; autorefractometers; ophthalmoscopes and ophthalmometers; eye examination apparatus, instruments for treating eye diseases, eye disorders and defects of the eye, electronic eye testing apparatus, topographic apparatus for measuring the cornea; pupillometers.

(260) AM 2018 91335 A

(800) 1334789

(891) 2016 05 18

(731) HYUNDAI MOTOR COMPANY  
12, Heolleung-ro, Seocho-gu, Seoul 06797,  
Korea (Republic of)

(540)



(591) Dark blue

(531) 24.11.25; 26.01.02; 26.01.18; 27.05.21;  
29.01.12

(511)

1 – Antifreeze; brake fluid; coolants; power steering fluid; transmission fluid.

4 – Engine oil; industrial grease; lubricating grease; fuel oil; industrial oil; lubricating oils; motor oil.

7 – Air compressors; balance shafts for engines; belts for engines; belts for machines; belts for motors; power transmission belts for machines; timing belts for engines; timing belts for machines; timing belts for motors; fan belts for engines and motors; timing belts for land vehicle engines; power operated blowers; bellows [parts of machines]; machine tools; tools (parts of machines); camshafts; canisters for automobile engines; carburetors; catalytic converters; injectors for engines; fuel injection devices for internal combustion engines; compressors as parts of machines, motors and engines; connecting rods for

engines and motors; pumps for cooling engines; control mechanisms for machines, engines or motors; fans for engines and motors; crankshafts; automotive engine blocks; cylinder heads for engines; cover for cylinder head and rocker for engines and motors; cylinder liner (parts of engines); distributors for vehicle engines; distributor caps for vehicle engines; exhaust gas recirculation [EGR] coolers for motors and engines; exhaust gas recirculation [EGR] valves for motors and engines; engine mounting insulator for motors and engines; exhaust pipes for land vehicle engines; exhaust valves for land vehicle engines; machine flywheels; fuel filters (parts of engines); fuel filters (parts of machines); fuel injection pumps for engines; fuel injectors for internal combustion engines; fuel pumps for land vehicle engines; pulleys [parts of machines]; pumps [machines]; glow plugs for diesel engines; idler being parts of machines; idler pulleys being parts of machines; ignition coils [parts of engines]; ignition coil harness [parts of engines]; injection nozzle and holder [parts of engines]; intake valve for engines and motors; inter coolers for engines and motors; LPG pump drivers for engines and motors; intake manifolds for internal combustion engines; exhaust manifold for engines; intake manifolds for engines; intake manifolds for motors; gas mixing machines; fuel mixer (parts of engines); muffler pipes for motors and engines; oil pumps for land vehicle engines; positive crankcase ventilation [PCV] valves for motors and engines; pistons [parts of machines or engines]; piston rings; radiators [cooling] for motors and engines; radiator shroud for motors and engines; rocker arms for engines; rocker arms for motors; rocker arm lash adjusters for motors and engines; sparking plugs for internal combustion engines; sparking plug cables for internal combustion engines; starters for motors and engines; tensioners for machines/motors and engines; throttle bodies for engines and motors; timing belts for motors and engines; timing belt covers for motors and engines; transmission mounting insulator for motors and engines; turbochargers for machines; valves [parts of machines]; vaporizers for motors and engines; water separators; linear actuators; hydraulic valve actuators; pneumatic valve actuators; air cleaners [parts of engines]; air-cooled condensers; air filters for automobile engines; forging moulds for automobiles; regulators [parts of machines]; metal engine gaskets for vehicles; gaskets, not of metal, for vehicle engines; oil coolers for engines and motors; oil filters for engines and motors; motors for air conditioner blowers; motor for gas condenser (other than parts of machines) cooling fans; pulleys for compressors for automobiles air conditioners; engine gaskets for automobiles; air tanks for automobile engines; automatic transmission axle oil pans for automobiles; engine oil pan for automobiles; air filter cartridges for land vehicle engines; oil filter cartridges for land vehicle engines; generators for automomobiles; generator rectifier for automobiles; generator rotors for automobiles; generator stator for automobiles; air intake surge tanks for automobile engines.

biles; generator rectifier for automobiles; generator rotors for automobiles; generator stator for automobiles; air intake surge tanks for automobile engines.

9 – Sensors [measurement apparatus], other than for medical use; antennas; armatures [electricity]; anti-theft warning apparatus; audio equipment; batteries; battery cables; battery boxes; battery plates; electronic control systems for machines; cameras; steering apparatus, automatic, for vehicles; electrical controllers; electronic process control units; fuel gauges; temperature gauges; fuses; junction boxes [electricity]; navigational instruments; relays, electric; resonators; speakers; speedometers; speedometer cables; switches, electric; tachometers; thermostats; thermostat cases; thermostat housing; time clocks; alarms; transmitters [telecommunication]; blinkers [signalling lights]; wires, electric; electronic apparatus for parking information; lighting ballasts; emergency light bars for vehicles; emergency signal transmitters; pulse generators for automobiles.

11 – Fans [parts of air-conditioning installations]; filters for air purifiers; air conditioning units; air dryers; hot air blowers; light bulbs; fans for gas condensers, other than parts of machines; covers specially adapted for gas condensers, other than parts of machines; evaporators; electric heaters; lamps for automobiles; lamp glasses; lamp bulbs; dryers for industrial purposes; radiator caps; air filters for air conditioning units.

12 – Anti-lock braking systems [ABS] for automobiles; structural parts for automobiles; accelerator cables for automobiles; accelerator pedals for automobiles; air bags for vehicles; air pumps for automobile tires; arms for windscreen wipers; ashtrays for vehicles; torque converters for automobiles; anti-theft alarms for vehicles; anti-theft devices for vehicles; automatic transmission axle valve bodies for automobiles; axles for vehicles; axle carriers for automobiles; axle housings for automobiles; axle knuckles for automobiles; ball joints for automobiles; axle bearings for land vehicles; wheel bearings for land vehicles; safety belts for automobile seats; brakes for automobiles; brake boosters for automobiles; brake discs for vehicles; brake drums for vehicles; brake cylinders for vehicles; brake pads for automobiles; brake pedals for vehicles; brake shoes for automobiles; brake linings for automobiles; bumper covers for automobiles; bumper energy absorbers for automobiles; bumper guards for automobiles; bumper lips for automobiles; mouldings for automobile bumpers; bumper rails for automobiles; bumper stays for automobiles; bumper steps for automobiles; cabins for automobiles; brake calipers for vehicles; cap mounting cylinders for automobiles; automobile covers [shaped]; center facia for automobiles; frames for automobile chassis; child restraints for vehicle seats; clutch boosters for automobiles;

clutch cables for automobiles; clutch covers for automobiles; clutch discs for automobiles; clutch housings for automobiles; clutch master cylinders for automobiles; clutch pedals for land vehicles; clutch power cylinders for automobiles; clutch release cylinders for automobiles; clutch release forks for automobiles; concentric slave cylinders for automobiles; console armrests for automobiles; cooling fan clutches for land vehicles; couplings for land vehicles; cowl cross bars for automobiles; cowl top covers for automobiles; crash pads for automobiles; crossmembers for automobiles; constant-velocity joints for automobiles; decks for trucks; differential carriers for automobiles; differential cases for automobiles; disc and clutch covers for automobiles; disc brake seals for automobiles; automobile door checker; automobile door handles; automobile door steps; automobile door visors; drag links for automobiles; automobile engines; engine covers for automobiles; engine mounting rubbers for automobiles; engine undercover for automobiles; undercover for fenders for land vehicles; floor consoles for automobiles; frame mouldings for automobiles; caps for vehicle gas tanks; doors for vehicle gas tanks; fuel pump senders for vehicle gas tanks; fuel tanks for vehicles; garnish for automobiles; gears for land vehicles; glass mouldings for automobiles; glove boxes for vehicles; head linings for automobiles; headrests for vehicle seats; hood insulating pads for automobiles; hood strips for automobiles; idle speed control apparatus for automobiles; interior trim for automobiles; leaf springs for land vehicle suspensions; levers for automobiles; lever cables for automobiles; anti-theft locks for use on automobile steering wheels; electrical anti-theft installations for vehicles; mudguards; over running clutch for automobiles; body panels for vehicles; door panels for land vehicles; parking brakes for automobiles; pillars for automobiles; luggage carriers for automobiles; power steering gear seal for automobiles; transmission mechanisms for land vehicles; motors for powered windows for land vehicles; propeller shafts for automobiles; radiator grills for automobile; mirrors for use on vehicles; rearview mirrors; reservoirs for land vehicles; reservoir tank for land vehicles; car-top luggage carriers; roof panels for land vehicles; automobile roof racks; rubber bushes for automobile wheel suspensions; automobile seats; seat back organizers specially adapted for use in cars; safety belts for vehicle seats; automobile seat covers; automobile seat cushions; security alarms for vehicles; security harness for vehicle seats; cardan shafts for vehicles; drive shafts for land vehicles; transmission shafts for land vehicles; shock absorbers for automobiles; side members for land vehicles; slack adjuster for brakes for vehicles; spare tire carriers for vehicles; spoilers for vehicles; vehicle suspension springs; shock absorbing springs for vehicles; stabilizer bars for land vehicle suspensions; steering gears for land vehicles;

steering linkages for land vehicles; automobile steering wheels; column for automobile steering wheels; shafts for automobile steering wheels; strut insulator for automobiles; automobile sunroofs; automobile windscreen sunshades; sun visors for automobiles; synchronizer rings [parts of land vehicles]; tailboard lifts [parts of land vehicles]; connecting rods for land vehicles, other than parts of motors and engines; tires; torque converters for land vehicles; tow bars for vehicles; rubber tracks for automobiles; transfers for transmissions for land vehicles; transmissions, for land vehicles; universal joints for land vehicles; solenoid valve for automobiles; brake valve for automobiles; expansion valve for automobiles; weather strips for land vehicles; automobile wheels; wheel brake cylinders for land vehicles; wheel covers for land vehicles; wheel cylinders for land vehicles; wheel guards for automobiles; automobile wheel hubs; cap for automobile wheel hubs; windows for vehicles; nozzle for windshield washer; windshield wiper blades; motor for windshield wipers; wiper motor arm for automobiles; wood grain upholstery for vehicles; electronic automobile dashboards; back-up warning alarms for vehicles; automobile horns; anti-theft devices for automobiles; oil screens for automobiles.

(260) AM 2018 91339 A

(800) 1335089

(891) 2016 07 25

(731) IVANSKIY ALEKSANDR

VLADIMIROVICH

Prezidentskiy Bulvar, 1/5, kv. 22 Cheboksary, Russian Federation

(540)



The logo for InStat features the word "InStat" in a bold, green, sans-serif font. To the left of the text is a stylized bar chart icon consisting of three vertical bars of increasing height. To the right of the text is a small globe icon.

(591) Green

(531) 15.07.01; 26.11.07; 27.05.17; 29.01.03

(511)

9 – Computer programmes [programs], recorded; computer game software; computer programs [downloadable software]; computer operating programs, recorded; electronic publications, downloadable; audiovisual teaching apparatus; data processing apparatus; computer software applications, downloadable; downloadable image files; downloadable music files; computer programmes for marketing research purposes; computer programmes for statistical research and analysis purposes; downloadable mobile applications; computer programmes for data and information collection, management, editing, organization, change, transition, co-exploitation and storage; computer programs [downloadable software] for e-commerce provides users with business operations by global computer networks and telecommunica-

tion networks; computer programs [downloadable software] for personal data management and for data synchronization; computer software development tools.

35 – Computerized file management; demonstration of goods; opinion polling; market studies; business information; commercial information and advice for consumers [consumer advice shop]; business investigations; business investigations in the sport sphere; business investigations in the hockey sphere; business investigations in the football sphere; business investigations in the basketball sphere; professional business consultancy; professional business consultancy in the sport sphere; professional business consultancy in the hockey sphere; professional business consultancy in the football sphere; professional business consultancy in the basketball sphere; business research; marketing research; business management of sports people; updating and maintenance of data in computer databases; organization of exhibitions for commercial or advertising purposes; organization of trade fairs for commercial or advertising purposes; data search in computer files for others; commercial intermediation services; providing business information via a web site; promoting the goods and services of others; demonstration of goods in all media for retail sale; production of advertising films; radio advertising; dissemination of advertising matter; direct mail advertising; advertising; on-line advertising on a computer network; advertising by mail order; television advertising; compilation of statistics; compilation of information into computer databases; systemization of information into computer databases; commercial administration of the licensing of the goods and services of others; administrative processing of purchase orders; procurement services for others [purchasing goods and services for other businesses]; business efficiency expert services; business research and surveys; business strategy development; collection, systematization, compilation and analysis of business data and information stored in computer databases; commercial information agency services; compilation and systemization of information used in electronic transmissions; compilation and systemization of written communications and data; compilation of business statistics; compilation of business statistics and commercial information; compilation of information into computerized registers; compilation of mathematical or statistical data; compilation of online business directories; compilation of statistical information; compilation of statistics for business or commercial purposes; computer-assisted business information and research services; computerized data processing; computerized database management; computerized office management; conducting of business surveys; database management; database marketing; data processing; data processing consultancy; data processing consultancy in the field of sports; electronic da-

ta processing; on-line data processing services; on-line data processing services in the field of sports; business consultancy services in particular business management by means of reporting, providing Internet resources in the field of sports information.

(260) AM 2018 91345 A

(800) 1334941

(891) 2016 11 21

(731) HUAWEI TECHNOLOGIES CO., LTD.

Administration Building Huawei Technologies Co., Ltd., Bantian, Longgang District, Shenzhen, China

(540)

**EMUI**

(591) Black and white

(531) 27.05.17

(511)

9 – Computers; recorded computer programmes (programs); operating system software or programs for mobile phones; operating system software for tablet computers; computer programs (downloadable software); smartphones.

35 – Advertising; sales promotion for the others.

42 – Cloud computing; electronic data storage; off-site data backup; providing search engines for the Internet; updating of computer software; monitoring of computer systems by remote access; software service (SaaS); computer systems analysis.

(260) AM 2018 91450 A

(800) 1335986

(891) 2016 10 17

(731) CAY ISLETMELERI GENEL MUDURLUGU

Mutfu Mahallesi, Rize, Turkey

(540)



(591) Brown, red, white and green.

(531) 05.03.15; 05.03.20; 25.03.03; 27.05.24; 29.01.14

(511)

30 – Coffee, cocoa; coffee or cocoa based beverages, chocolate based beverages, pasta, stuffed dumplings, noodles, pastries and bakery products based on flour; desserts based on flour and chocolate; bread, simit

[Turkish ring-shaped bagel covered with sesame seeds], pogaça [Turkish bagel], pita, sandwiches, katter [Turkish pastry], pies, cakes, baklava [Turkish dessert based on dough coated with syrup], kadayif [Turkish dessert based on dough]; desserts based on dough coated with syrup; puddings, custard, kanzandibi [Turkish pudding], rice pudding, keshkul [Turkish pudding], honey, bee glue for human consumption, propolis for food purposes, condiments for foodstuff, vanilla (flavoring), spices, sauces (condiments), tomato sauce, yeast, baking powder, flour, semolina, starch for food, sugar, cube sugar, powdered sugar, tea, ice tea, confectionery, chocolate, biscuits, crackers, wafers, chewing gums, ice-cream, edible ices, salt, cereal-based snack food, popcorn, crushed oats, corn chips, breakfast cereals, processed wheat for human consumption, crushed barley for human consumption, processed oats for human consumption, processed rye for human consumption, rice, molasses for food.

32 – Beers; preparations for making beer, mineral water, spring water, table water, soda water, fruit and vegetable juices, fruit and vegetable concentrates and extracts for making beverages, non-alcoholic soft drinks, energy drinks.

(260) AM 2018 91589 A

(800) 1337240

(891) 2016 12 19

(731) SPORT VISION D.O.O.

Milentija Popovića 5v, 11070 Novi Beograd,  
Serbia

(540)



(591) Black, white

(531) 24.17.05; 26.13.25

(511)

18 – Animal skins; imitation leather; attaché cases; purses; vanity cases, not fitted; trunks and suitcases; traveling trunks; shoulder belts [straps] of leather; haversacks; bags; bags for campers; bags for climbers; backpacks; handbags; card cases [wallets]; key cases; credit card cases [wallets]; wallets; school satchels; umbrellas and parasols.

24 – Gauze [cloth]; damask; pillow shams; table runners; elastic fabrics; labels of cloth; curtains of textile or plastic; shrouds; pillowcases; buckram; linen cloths; handkerchiefs of textile; ticks [mattress covers]; tick [linen]; place mats not of paper; cotton fabrics; calico; furniture coverings of plastic; bath linen except clothing; linings [textile]; bed linen; co-

vers for cushions; bed covers; silk fabrics; textile materials; household linen; fabrics for footwear; table linen not of paper; flannel [fabric]; sheets [textile]; bed and table covers.

25 – Clothing, footwear, headgear.

28 – Games and toys; quoits; bowling apparatus and machinery; tennis ball throwing apparatus; swimming pools [play articles]; baseball gloves; billiard tables; billiard cues; bobsleighs; boxing gloves; punching bags; rowing boards [paddle-boards]; sailboards; swimming kick boards; snowboards; surfboards; discs for sports; drones [toys]; kites; masts for sailboards; ice skates; gut for fishing; snowshoes; billiard balls; play balls; bows for archery; fencing masks; ball-pitching machines; machines for physical exercises; poles for pole vaulting; sole coverings for skis; swimming jackets; paragliders; flippers for swimmers; climbing harnesses; weight lifting belts [sports articles]; swimming belts; sling shots [sports articles]; fishing tackle; in-line roller skates; roller skates; golf gloves; gloves (accessories for games); fencing gauntlets; sledges [sports articles]; skateboards; ski bindings; skis; skating boots with skates attached; body-building apparatus; starting blocks for sports; tables for table tennis; barbells; dumbbells; tennis nets; golf bags, with or without wheels; cricket bags; roulette wheels; harpoon guns [sports articles]; hockey sticks; golf sticks [golf clubs]; rackets; rods for fishing; elbow guards [sports articles]; knee guards [sports articles]; shin guards [sports articles]; decorations for Christmas trees.

(260) AM 2018 91604 A

(800) 1336734

(891) 2016 11 21

(731) AILE SPORTS PRODUCTS (FUJIAN)  
CO., LTD

Goux Industrial Park, Chendai Town, Jinjiang  
362200 Fujian, China

(540)



(591) Black, white

(531) 27.05.01; 27.05.17

(511)

25 – Ready-made clothing, namely, shirts, sweaters, coats, wind coats, pants and skirts; outerclothing, namely, outer jackets; sports jerseys; tee-shirts; underpants; layettes [clothing]; bathing suits; shoes; hosiery; scarfs.

(260) AM 2018 91647 A

(800) 1337273

(891) 2016 09 30

(731) Joint Stock Company "CONFECTIONERY  
FACTORY NAMED AFTER K.  
SAMOILOVA"  
Angliiskiy pr., 16, RU-190121 Sankt-Peters-  
burg, Russian Federation

(540)

**ВОЗДУШНЫЙ  
ПОЦЕЛУЙ**

(591) Black and white

(531) 28.05

(511)

30 – Confectionery.

(260) AM 2018 91649 A

(800) 1337330

(891) 2016 06 16

(731) ADP GAUSELMANN GMBH

Merkur-Allee 1-15, 32339 Espelkamp,  
Germany

(540)

**BEST BUDDIES**

(511)

9 – Scientific, nautical, surveying, photographic, cinematographic, optical, weighing, measuring, signalling, checking (supervision), life-saving and teaching apparatus and instruments; apparatus and instruments for conducting, switching, transforming, accumulating, regulating or controlling electricity; apparatus for recording, transmission or reproduction of sound or images; magnetic data carriers, recording discs; compact discs, DVDs and other digital recording media; cash registers, calculating machines, data processing equipment, computers; computer software; fire-extinguishing apparatus; musical jukeboxes and parts for the aforesaid automatic machines; automatic cash dispensers, automatic money counting and money changing machines; mechanisms for coin-operated apparatus; computer and video games software; games software for use on any computer platform, including electronic entertainment and games consoles; computer games (Programs for -); computer games; video games (software); computer games provided through a global computer network or supplied by means of multi-media electronic broadcast or through telecommunications or electronic transmission or via the Internet; computer games, leisure and recreational software, video games and computer software, all provided in the form of storage media; programs for operating electric and electronic apparatus for games, amusement and/or entertainment purposes; automatic lottery machines; computer software for computer games on the Internet; online games (software); computer

software in the form of an app for mobile devices and computers; calculating apparatus in coin-operated machines and parts for the aforesaid goods; apparatus for recording, transmission, processing or reproduction of data, including sound or images, including parts for all the aforesaid goods, except radio sets, television receivers, hi-fi systems, video recorders, telephone apparatus, fax machines and telephone answering machines; computer hardware and software for casino and amusement arcade games, for gaming machines, slot machines or video lottery gaming machines or games of chance via the Internet; electric, electronic, optical or automatic apparatus, for identifying data earners, identity cards and credit cards, bank notes and coins; electric, electronic or optical alarm and monitoring installations, including video cameras and apparatus for image transmission and image processing; data processing equipment and computers, including data processing apparatus and computers being components for data networks and parts facilitating data network communications; electric wiring harnesses; circuit boards, printed board assemblies (electronic components) and combinations thereof being assemblies and equipment parts, included in class 9.

28 – Games, except for toys for animals respectively pets; toys, except for toys for animals respectively pets; gymnastic and sporting articles not included in other classes; decorations for Christmas trees; gaming apparatus (including coinoperated apparatus); coin-operated arcade games (machines); games for amusement arcades (included in this class); coinoperated video gaming apparatus; video games apparatus adapted for use with an external display screen or monitor; casino fittings, namely roulette tables, roulette wheels; coinoperated automatic gaming machines and gaming machines, in particular for gaming arcades, with or without a prize payout; electronic or electrotechnical gaming apparatus, gaming machines, games machines and slot machines operated by coins, tokens, banknotes, tickets or by means of electronic, magnetic or biometric storage media, in particular for commercial use in casinos and amusement arcades, with or without a prize payout; automatic gaming machines and gaming machines, in particular for commercial use in casinos and gaming arcades, with or without a prize payout; coin-operated gaming machines and/or electronic moneybased gaming apparatus (machines), with or without prizes; housings adapted for gaming machines, gaming apparatus and automatic gaming machines, operated by means of coins, tokens, tickets or by means of electronic, magnetic or biometric storage media, in particular for commercial use in casinos and gaming arcades, with or without a prize payout; electronic games; electronic games apparatus and accessories thereof included in this class; video output game machines; drawing apparatus for prize games and lotteries, draws or raffles; housings of metal, plastic



and/or wood for coin-operated automatic machines; apparatus for games (including video games), other than adapted for use with external screens or monitors only; gaming tables, in particular for table football, billiards, sliding games; quoits (playthings) and darts; electronic bingo machines [gaming machines] and video lottery terminals [gaming machines]; LCD games consoles; automatic gaming machines; apparatus and devices for accepting and storing money, being fittings for the aforesaid automatic machines, included in this class.

(260) AM 2018 91650 A  
(800) 1337405  
(891) 2016 11 29  
(731) Tovarischestvo s ogranichennoy otvetstvennostyu "HIGER QUAZAR"  
(HIGER QUAZAR)  
Building 207, p. Industrial area, v. Otegen Batyr, Ili district, 040700 Almaty region, Kazakhstan

(540)



(591) Black and white  
(531) 03.07.16; 04.03.20; 26.11.12  
(511)

12 – Cars; motor buses; structural parts for buses; electric vehicles; self-propelled electric vehicles; electric cars; vehicles; electric motors, for land vehicles; vehicles; land vehicles; structural parts for buses; structural parts for automobiles.

35 – Cars; motor buses; structural parts for buses; electric vehicles; self-propelled electric vehicles; electric cars; vehicles; electric motors, for land vehicles; vehicles; land vehicles; structural parts for buses; structural parts for automobiles.

37 – Providing information relating to vehicle repair; repair and maintenance of electric vehicles; repair and maintenance of chassis parts and bodies for vehicles; vehicle battery charging; vehicle detailing; consultancy relating to vehicle repair; washing and cleaning of vehicles; vehicle maintenance; repair of land vehicles; vehicle breakdown repair services; repair and maintenance of vehicles; recharging services for electric vehicles; maintenance of vehicles and machines; repair, servicing and maintenance of vehicles and apparatus for locomotion by air; repair or maintenance of two-wheeled motor vehicles and

providing information relating thereto; vehicle service stations [refuelling and maintenance].

(260) AM 2018 91655 A  
(800) 1337504  
(891) 2016 12 21  
(731) NOVARTIS AG  
CH-4002 Basel, Switzerland  
(540)

## ORA SYSTEM

(511)  
10 – Ophthalmic and optometric instruments for carrying out, processing, recording, storing and transmitting optical measurements and for performing diagnostic tests; lasers for ophthalmic and optometric purposes.

(260) AM 2018 91668 A  
(800) 1337546  
(891) 2016 11 01  
(731) Limited Liability Company  
"PROFILDOORS"  
str. 6, vblizi p. Kurilovo, poseleniye Shchapovskoye, RU-142138 Moscow, Russian Federation

(540)

**PROFILDOORS**

(591) Black and white  
(531) 26.04.01; 26.04.24; 27.05.17  
(511)

6 – Ironmongery, small items of metal hardware; doors of metal; armored doors of metal; doors and windows of metal; doors of metal for indoor use; door bolts of metal; bolts, flat; latches of metal; locks of metal, other than electric; door frames of metal; buckles of common metal [hardware]; lintels of metal; strap-hinges of metal; door panels of metal; sills of metal; door fittings of metal; buildings of metal; buildings, transportable, of metal; door stops of metal; stops of metal; ironwork for doors; door closers, non-electric; door openers, non-electric; door handles of metal; knobs of metal; fittings of metal for furniture; latch bars of metal; lock bolts.

19 – Building materials, not of metal; door frames, not of metal; balustrades, not of metal; folding doors, not of metal; doors, not of metal; wood for making household utensils; veneer wood; moldable wood; жалюзи, not of metal; wood pulp board, for building; paperboard for building; buildings, not of metal; buildings, transportable, not of metal; planks of wood for building; wood panelling; wall linings, not of metal, for building; wainscoting, not of metal; lintels, not of metal; sills, not of metal; props, not of metal; furrings of wood; plywood; door pa-

nels, not of metal; wood veneers; outdoor blinds, not of metal and not of textile.

20 – Furniture; mirrors [looking glasses]; doors for furniture; chests of drawers; furniture shelves; cupboards; covers for clothing [wardrobe]; pegs [pins], not of metal; plugs [dowels], not of metal; furniture casters, not of metal; pulls, not of metal; knobs, not of metal; furniture fittings, not of metal; hinges, not of metal; lockers.

35 – Advertising; business management; business administration; import-export agency services; commercial information agency services; advertising agency services; rental of advertising space; demonstration of goods; market studies; business information; business investigations; marketing research; business management and organization consultancy; business organization consultancy; business management consultancy; professional business consultancy; layout services for advertising purposes; updating of advertising material; organization of exhibitions for commercial or advertising purposes; organization of trade fairs for commercial or advertising purposes; shop window dressing; auctioneering; rental of advertising time on communication media; publicity material rental; publication of publicity texts; distribution of samples.

(260) AM 2018 91673 A

(800) 1337625

(891) 2016 02 23

(731) CAVELIER D'ESCAVELLES Marie-Charlotte  
Calle Fernà González n°6 1°, E-29005  
MALAGA, Spain

(540)



(591) Dark pink and turquoise blue

(531) 24.13.01; 27.05.07; 27.05.08; 27.05.10;  
29.01.12

(511)

10 – Urological apparatus; disposable and/or portable aids for urinating; urinals [vessels]; disposable and/or portable urinary accessories.

35 – Wholesale or retail sale services, directly, in stores, remotely or online, for cosmetic and sanitary products, particularly disposable and/or portable aids and accessories for urinating; services enabling consumers to examine, compare, purchase and order such merchandise via a mail-order catalog or from a remote sale site.

(260) AM 2018 91675 A

(800) 1338164

(891) 2016 12 19

(731) Zakrytoe aktsionernoe obshchestvo "Mediko-biologicheskiiy nauchno-proizvodstvennyy kompleks "Tsitomed"

Muchnoj pereulok, 2, RU-191023 Saint-Petersburg, Russian Federation

(540)

## VARTOCID

(511)

3 – Cotton wool for cosmetic purposes; creams for leather; toiletry preparations; cosmetic creams; lotions for cosmetic purposes; douching preparations for personal sanitary or deodorant purposes [toiletries]; tissues impregnated with cosmetic lotions; cosmetics.

5 – Dietetic substances adapted for medical use; capsules for medicines; cachets for pharmaceutical purposes; drugs for medical purposes; medicines for veterinary purposes; medicines for human purposes; veterinary preparations; pharmaceutical preparations for skin care; pharmaceutical preparations.

(260) AM 2018 91676 A

(800) 1338179

(891) 2016 11 21

(731) NETFLIX, INC.

100 Winchester Circle, Los Gatos CA 95032,  
USA

(540)



(591) Red

(531) 27.05.21; 29.01.01

(511)

9 – Software for streaming audiovisual and multimedia content via the internet and global communications networks; software for streaming audiovisual and multimedia content to mobile digital electronic devices; software for searching, organizing, and recommending multimedia content; software development tools for creating software and mobile applications; hardware for streaming audiovisual and multimedia content via the internet and global communications networks, namely, digital media streaming devices, digital video recorders, DVD and high definition video disc players, home theater systems

comprised of audio and video receivers and disc players; televisions, and television set-top boxes.

(260) AM 2018 91679 A

(800) 1338213

(891) 2016 07 28

(731) EURO GAMES TECHNOLOGY LTD.

"Maritsa" Str. 4, "Vranya-Lozen-Triugulnika",  
BG-1151 Sofia, Bulgaria

(540)

**Majestic Forest**

(591) Yellow, light brownish-yellow and brown.

Yellow, light brownish-yellow, brown for the  
word elements

(531) 27.05.02; 27.05.03; 29.01.14

(511)

9 – Apparatus for recording, transmission or reproduction of sound or images; computer software (recorded), monitors [computer hardware].

28 – Games that are not included in other classes; amusement machines, automatic and coin-operated; gaming machines [for gambling], adapted for use with external screen or monitor.

(260) AM 2018 91683 A

(800) 1338237

(891) 2016 11 02

(731) ADP GAUSELMANN GMBH

Merkur-Allee 1-15, 32339 Espelkamp,  
Germany

(540)

**Ankaa's Dawn**

(511)

9 – Scientific, nautical, surveying, photographic, cinematographic, optical, weighing, measuring, signalling, checking (supervision), life-saving and teaching apparatus and instruments; apparatus and instruments for conducting, switching, transforming, accumulating, regulating or controlling electricity; apparatus for recording, transmission or reproduction of sound or images; magnetic data carriers, recording discs; compact discs, DVDs and other digital recording media; cash registers, calculating machines, data processing equipment, computers; computer software; fire-extinguishing apparatus; musical jukeboxes and parts for the aforesaid automatic machines; automatic cash dispensers, automatic money counting and money changing machines; coin-operated mechanisms; computer and video games software; games software for use on any computer platform, including electronic entertainment and games consoles; computer game programs; computer games programs; video games (software); computer games provided through a global computer network

or supplied by means of multimedia electronic broadcast or through telecommunications or electronic transmission or via the internet; computer games, leisure and recreational software, video games and computer software, all being provided in the form of storage media; programs for operating electric and electronic apparatus for games, amusement and/or entertainment purposes; automatic lottery machines; computer software for computer games on the internet; online games (software), in particular for online betting games, online prize games, online gambling games, online games of skill and online casino games; computer software in the form of an app for mobile devices and computers; calculating apparatus in coin-operated machines and parts for the aforesaid goods; apparatus for recording, transmission, processing or reproduction of data, including sound or images, including parts for all the aforesaid goods, except radio sets, television receivers, hi-fi systems, video recorders, telephone apparatus, fax machines and telephone answering machines; computer hardware and software for casino and amusement arcade games, for gaming machines, slot machines or video lottery gaming machines or games of chance via the internet; electric, electronic, optical or automatic apparatus, for identifying data carriers, identity cards and credit cards, bank notes and coins; electric, electronic or optical alarm and monitoring installations, including video cameras and apparatus for image transmission and image processing; data processing apparatus and computers, including data processing apparatus and computers being components for data networks and parts facilitating data network communications; electric wiring harnesses; circuit boards, printed circuit boards (electronic components) and combinations thereof, being assemblies and parts for apparatus, included in this class.

28 – Games; toys; gymnastic and sporting articles not included in other classes; decorations for Christmas trees; gaming apparatus (including coin-operated apparatus); coin-operated arcade games (machines); games for amusement arcades (included in this class); coin-operated video gaming apparatus; video games apparatus adapted for use with external screens or monitors only; casino fittings, namely roulette tables, roulette wheels; coin-operated automatic gaming machines and gaming machines, in particular for gaming arcades, with or without a prize payout; electronic or electrotechnical gaming apparatus, automatic gaming machines, gaming machines, slot machines operated by coins, tokens, banknotes, tickets or by means of electronic, magnetic or biometric storage media, in particular for commercial use in casinos and amusement arcades, with or without a prize payout; automatic gaming machines and gaming machines, in particular for commercial use in casinos and gaming arcades, with or without a prize payout; coin-operated gaming machines and/or electronic money-based gaming apparatus (machines),

with or without prizes; housings adapted for gaming machines, gaming apparatus and automatic gaming machines, operated by means of coins, tokens, tickets or by means of electronic, magnetic or biometric storage media, in particular for commercial use in casinos and gaming arcades, with or without a prize payout; electronic games; electronic game entertainment apparatus and parts thereof; video output game machines; drawing apparatus for prize games and lotteries, draws or raffles; housings of metal, plastic and/or wood for coin-operated automatic machines; apparatus for games (including video games), other than adapted for use with external screens or monitors only; electropneumatic and electric slot machines with pulling handles (gaming machines); gaming tables, in particular for table football, billiards, sliding games; flying discs (toys) and darts; gaming machines, namely, electric, electronic or electromechanical gaming apparatus for bingo games, lotteries or video lottery games and for betting offices, connected or unconnected to a computer network; LCD games consoles; automatic gaming machines; apparatus and devices for accepting and storing money, being fittings for the aforesaid automatic machines, included in this class.

(260) AM 2018 91684 A

(800) 1338240

(891) 2016 11 03

(731) ADP GAUSELMANN GMBH

Merkur-Allee 1-15, 32339 Espelkamp,  
Germany

(540)

## WILD KALAHARI

(511)

9 – Scientific, nautical, surveying, photographic, cinematographic, optical, weighing, measuring, signalling, checking (supervision), life-saving and teaching apparatus and instruments; apparatus and instruments for conducting, switching, transforming, accumulating, regulating or controlling electricity; apparatus for recording, transmission or reproduction of sound or images; magnetic data carriers, recording discs; compact discs, DVDs and other digital recording media; cash registers, calculating machines, data processing equipment, computers; computer software; fire-extinguishing apparatus; musical jukeboxes and parts for the aforesaid automatic machines; automatic cash dispensers, automatic money counting and money changing machines; coin-operated mechanisms; computer and video games software; games software for use on any computer platform, including electronic entertainment and games consoles; computer game programs; computer games programs; video games (software); computer games provided through a global computer network or supplied by means of multimedia electronic broadcast or through telecommunications or electronic

transmission or via the Internet; computer games, leisure and recreational software, video games and computer software, all being provided in the form of storage media; programs for operating electric and electronic apparatus for games, amusement and/or entertainment purposes; automatic lottery machines; computer software for computer games on the Internet; online games (software), in particular for online betting games, online prize games, online gambling games, online games of skill and online casino games; computer software in the form of an app for mobile devices and computers; calculating apparatus in coin-operated machines and parts for the aforesaid goods; apparatus for recording, transmission, processing or reproduction of data, including sound or images, including parts for all the aforesaid goods, except radio sets, television receivers, hi-fi systems, video recorders, telephone apparatus, fax machines and telephone answering machines; computer hardware and software for casino and amusement arcade games, for gaming machines, slot machines or video lottery gaming machines or games of chance via the internet; electric, electronic, optical or automatic apparatus, for identifying data carriers, identity cards and credit cards, bank notes and coins; electric, electronic or optical alarm and monitoring installations, including video cameras and apparatus for image transmission and image processing; data processing apparatus and computers, including data processing apparatus and computers being components for data networks and parts facilitating data network communications; electric wiring harnesses; circuit boards, printed circuit boards (electronic components) and combinations thereof, being assemblies and parts for apparatus, included in this class.

28 – Games; toys; gymnastic and sporting articles not included in other classes; decorations for Christmas trees; gaming apparatus (including coin-operated apparatus); coin-operated arcade games (machines); games for amusement arcades (included in this class); coin-operated video gaming apparatus; video games apparatus adapted for use with external screens or monitors only; casino fittings, namely roulette tables, roulette wheels; coin-operated automatic gaming machines and gaming machines, in particular for gaming arcades, with or without a prize payout; electronic or electrotechnical gaming apparatus, automatic gaming machines, gaming machines, slot machines operated by coins, tokens, banknotes, tickets or by means of electronic, magnetic or biometric storage media, in particular for commercial use in casinos and amusement arcades, with or without a prize payout; automatic gaming machines and gaming machines, in particular for commercial use in casinos and gaming arcades, with or without a prize payout; coin-operated gaming machines and/or electronic money-based gaming apparatus (machines), with or without prizes; housings adapted for gaming machines, gaming apparatus and automatic gaming

machines, operated by means of coins, tokens, tickets or by means of electronic, magnetic or biometric storage media, in particular for commercial use in casinos and gaming arcades, with or without a prize payout; electronic games; electronic game entertainment apparatus and parts thereof; video output game machines; drawing apparatus for prize games and lotteries, draws or raffles; housings of metal, plastic and/or wood for coin-operated automatic machines; apparatus for games (including video games), other than adapted for use with external screens or monitors only; electropneumatic and electric slot machines with pulling handles (gaming machines); gaming tables, in particular for table football, billiards, sliding games; flying discs (toys) and darts; gaming machines, namely, electric, electronic or electromechanical gaming apparatus for bingo games, lotteries or video lottery games and for betting offices, connected or unconnected to a computer network; LCD games consoles; automatic gaming machines; apparatus and devices for accepting and storing money, being fittings for the aforesaid automatic machines, included in this class.

(260) AM 2018 91685 A

(800) 1338295

(891) 2016 09 27

(731) PHILIP MORRIS PRODUCTS S.A.

Quai Jeanrenaud 3, CH-2000 Neuchâtel,  
Switzerland

(540)

## TEEPS

(511)

9 – Batteries for electronic cigarettes; batteries for electronic devices that are used for heating tobacco, chargers for electronic devices that are used for heating tobacco; USB chargers for electronic devices that are used for heating tobacco; car chargers for electronic cigarettes; car chargers for devices that are used for heating tobacco; battery chargers for electronic cigarettes.

11 – Electronic vaporizers except electronic cigarettes; apparatus for heating liquids; apparatus for generating vapor.

34 – Wired vaporizers for electronic cigarettes and electronic smoking devices; tobacco, raw or manufactured; tobacco products, including cigars, cigarettes, cigarillos, tobacco for roll-your-own cigarettes, pipe tobacco, chewing tobacco, snuff tobacco, kretek; snus; tobacco substitutes (not for medical purposes); smokers' articles, including cigarette paper and tubes, cigarette filters, tobacco tins, cigarette cases and ashtrays, pipes, pocket apparatus for rolling cigarettes, lighters; matches; tobacco sticks, tobacco products for the purpose of being heated, electronic devices and their parts for the purpose of heating cigarettes or tobacco in order to release nicotine-

containing aerosol for inhalation; liquid nicotine solutions for use in electronic cigarettes; electronic smoking devices; electronic cigarettes; electronic cigarettes as substitute for traditional cigarettes; electronic devices for the inhalation of nicotine-containing aerosol; oral vaporizing devices for use by smokers, tobacco products and tobacco substitutes; smokers' articles for electronic cigarettes; parts and fittings for the aforesaid products included in this class; extinguishers for heated cigarettes and cigars as well as heated tobacco sticks; electronic rechargeable cigarette cases.

(260) AM 2018 91686 A

(800) 1338347

(891) 2016 12 29

(731) TADIM GIDA MADDELERİ SANAYİ VE  
TİCARET ANONİM ŞİRKETİ

Gebze Organize Sanayi Bölgesi, 1100. Sok.  
No:1105, Çayırova, KOCAELİ, Turkey

(540)



(591) Dark grey, light grey, white, red, blue, purple and yellow

(531) 05.07.24; 25.01.01; 26.01.06; 26.11.07;  
26.11.13; 27.05.24; 29.01.15

(511)

29 – Dried pulses; prepared nuts and dried fruits as snacks; potato chips.

(260) AM 2018 91687 A

(800) 1338373

(891) 2016 11 02

(731) ADP GAUSELMANN GMBH

Merkur-Allee 1-15, 32339 Espelkamp,  
Germany

(540)

## Jill and Jacks

(511)

9 – Scientific, nautical, surveying, photographic, cinematographic, optical, weighing, measuring, signalling, checking (supervision), life-saving and teaching apparatus and instruments; apparatus and instruments for conducting, switching, transforming, accumulating, regulating or controlling electricity; apparatus for recording, transmission or reproduc-

tion of sound or images; magnetic data carriers, recording discs; compact discs, DVDs and other digital recording media; cash registers, calculating machines, data processing equipment, computers; computer software; fire-extinguishing apparatus; musical jukeboxes and parts for the aforesaid automatic machines; automatic cash dispensers, automatic money counting and money changing machines; coin-operated mechanisms; computer and video games software; games software for use on any computer platform, including electronic entertainment and games consoles; computer game programs; computer games programs; video games (software); computer games provided through a global computer network or supplied by means of multimedia electronic broadcast or through telecommunications or electronic transmission or via the internet; computer games, leisure and recreational software, video games and computer software, all being provided in the form of storage media; programs for operating electric and electronic apparatus for games, amusement and/or entertainment purposes; automatic lottery machines; computer software for computer games on the internet; online games (software), in particular for online betting games, online prize games, online gambling games, online games of skill and online casino games; computer software in the form of an app for mobile devices and computers; calculating apparatus in coin-operated machines and parts for the aforesaid goods; apparatus for recording, transmission, processing or reproduction of data, including sound or images, including parts for all the aforesaid goods, except radio sets, television receivers, hi-fi systems, video recorders, telephone apparatus, fax machines and telephone answering machines; computer hardware and software for casino and amusement arcade games, for gaming machines, slot machines or video lottery gaming machines or games of chance via the Internet; electric, electronic, optical or automatic apparatus, for identifying data carriers, identity cards and credit cards, bank notes and coins; electric, electronic or optical alarm and monitoring installations, including video cameras and apparatus for image transmission and image processing; data processing apparatus and computers, including data processing apparatus and computers being components for data networks and parts facilitating data network communications; electric wiring harnesses; circuit boards, printed circuit boards (electronic components) and combinations thereof, being assemblies and parts for apparatus, included in this class.

28 – Games; toys; gymnastic and sporting articles not included in other classes; decorations for Christmas trees; gaming apparatus (including coin-operated apparatus); coin-operated arcade games (machines); games for amusement arcades (included in this class); coin-operated video gaming apparatus; video games apparatus adapted for use with external screens or monitors only; casino fittings, namely rou-

lette tables, roulette wheels; coin-operated automatic gaming machines and gaming machines, in particular for gaming arcades, with or without a prize payout; electronic or electrotechnical gaming apparatus, automatic gaming machines, gaming machines, slot machines operated by coins, tokens, banknotes, tickets or by means of electronic, magnetic or biometric storage media, in particular for commercial use in casinos and amusement arcades, with or without a prize payout; automatic gaming machines and gaming machines, in particular for commercial use in casinos and gaming arcades, with or without a prize payout; coin-operated gaming machines and/or electronic money-based gaming apparatus (machines), with or without prizes; housings adapted for gaming machines, gaming apparatus and automatic gaming machines, operated by means of coins, tokens, tickets or by means of electronic, magnetic or biometric storage media, in particular for commercial use in casinos and gaming arcades, with or without a prize payout; electronic games; electronic game entertainment apparatus and parts thereof; video output game machines; drawing apparatus for prize games and lotteries, draws or raffles; housings of metal, plastic and/or wood for coin-operated automatic machines; apparatus for games (including video games), other than adapted for use with external screens or monitors only; electropneumatic and electric slot machines with pulling handles (gaming machines); gaming tables, in particular for table football, billiards, sliding games; flying discs (toys) and darts; gaming machines, namely, electric, electronic or electromechanical gaming apparatus for bingo games, lotteries or video lottery games and for betting offices, connected or unconnected to a computer network; LCD games consoles; automatic gaming machines; apparatus and devices for accepting and storing money, being fittings for the aforesaid automatic machines, included in this class.

(260) AM 2018 91688 A

(800) 1337659

(891) 2016 12 22

(731) BIOFARMA, Société par actions simplifiée  
50 rue Carnot, F-92284 SURESNES cedex,  
France

(540)

**PRESTOLASA**

(591) Black, white

(531) 27.05.17

(511)

5 – Pharmaceutical preparations; veterinary preparations; sanitary products for medical purposes; dietetic substances for medical use; dietetic substances for veterinary use; food for babies; dietetic preparations and food supplements; food supplements for animals; plasters, materials for dressings; teeth filling material; dental impression materials; disinfect-

tants; products for destroying vermin; fungicides; herbicides.

(260) AM 2018 91689 A

(800) 1337666

(891) 2016 12 23

(731) BIOFARMA

50 rue Carnot, F-92284 SURESNES Cedex (FR), France

(540)

**ОБЛОН**

(591) Black, white

(531) 28.05

(511)

5 – Pharmaceutical preparations; sanitary products for medical purposes; dietetic substances for medical use; food for babies; dietetic preparations and food supplements; plasters, materials for dressings; teeth filling material; dental impression materials; disinfectants; products for destroying vermin; fungicides; herbicides, all the aforesaid goods intended for the diabetic, oncological and osteoporosis fields, excluding veterinary products.

10 – Medical apparatus and instruments; applicators for medicines; applicators for pharmaceutical preparations; injection devices for pharmaceutical products; medical implants; implants for pharmaceutical use; implantable medicines; pumps for medical use for administering pharmaceutical products contained in receptacles; infusion pumps for administering medicines; media for medical use, all the aforesaid goods intended for the diabetic, oncological and osteoporosis fields, excluding apparatus and instruments for use in the veterinary field.

(260) AM 2018 91691 A

(800) 1338428

(891) 2016 12 15

(731) SANOFI BIOTECHNOLOGY, Société par actions simplifiée

54 rue La Boétie, F-75008 PARIS, France

(540)

**KEVZARA**

(591) Orange, yellow, blue

(531) 26.03.24; 26.11.02; 26.11.12; 27.05.17; 29.01.13

(511)

5 – Pharmaceutical products.

(260) AM 2018 91692 A

(800) 1338431

(891) 2016 12 26

(731) GUERLAIN SOCIETE ANONYME

68 avenue des Champs-Élysées, F-75008

PARIS, France

(540)



(591) Black, white

(531) 26.01.04; 26.01.24; 27.05.01; 27.05.24

(511)

3 – Perfumes; eau de toilette; eau de parfum; eau de Cologne; shower gels for cosmetic use; milks for cosmetic use.

(260) AM 2018 91695 A

(800) 1045659

(891) 2017 03 17

(731) ZHEJIANG YANKON GROUP CO., LTD.

Baiguan Town, Shangyu City, 312300

Zhejiang Province, China

(540)

**energetic**

(591) Black, white

(531) 27.05.17

(511)

11 – Flares; electric lamps; lamps; lamp tubes; fluorescent lamp tubes; reading lamps; energy-saving lamps; ceiling lights; street lamps; lighting apparatus and installations.

(260) AM 2018 91696 A

(800) 1337784

(891) 2016 12 19

(731) FIBROGEN, INC.

Viikinkaari 6, FI-00790 Helsinki (Finland), Finland

(540)

**HIQUENCE**

(511)

5 – Pharmaceutical and veterinary preparations; sanitary preparations for medical purposes; dietetic food and substances adapted for medical or veterinary use, food for babies; dietary supplements for humans and animals; plasters, materials for dress-

sings; material for stopping teeth, dental wax; disinfectants; preparations for destroying vermin; fungicides, herbicides; pharmaceutical preparations for use in oncology; pharmaceutical preparations for the treatment of cardiovascular diseases and disorders, metabolic diseases and disorders, respiratory diseases and disorders, gastrointestinal diseases and disorders, nervous system diseases and disorders, infection and inflammation.

(260) AM 2018 91698 A

(800) 1337785

(891) 2016 12 19

(731) FIBROGEN, INC.

Viiikinkaari 6, FI-00790 Helsinki, Finland

(540)

## REDHIRA

(511)

5 – Pharmaceutical and veterinary preparations; sanitary preparations for medical purposes; dietetic food and substances adapted for medical or veterinary use, food for babies; dietary supplements for humans and animals; plasters, materials for dressings; material for stopping teeth, dental wax; disinfectants; preparations for destroying vermin; fungicides, herbicides; pharmaceutical preparations for use in oncology; pharmaceutical preparations for the treatment of cardiovascular diseases and disorders, metabolic diseases and disorders, respiratory diseases and disorders, gastrointestinal diseases and disorders, nervous system diseases and disorders, infection and inflammation.

(260) AM 2018 91699 A

(800) 1240640

(891) 2017 03 10

(731) APPLE INC.

1 Infinite Loop, Cupertino CA 95014, USA

(540)

## HOMEKIT

(511)

42 – Design and development of computer hardware and software, design, development and maintenance of proprietary computer software in the field of natural language, speech, speaker, language, voice recognition, and voice-print recognition, computer hardware and software consulting services, support and consultation services for developing computer systems, databases and applications, providing computer hardware or software information online, application service provider (ASP) services featuring software for creating, authoring, distributing, downloading, transmitting, receiving, playing, editing, extracting, encoding, decoding, displaying, storing and organizing text, graphics, images, audio, video, and multimedia content, and electronic publications, ap-

plication service provider (ASP) services featuring software for use in connection with voice recognition software and voice-enabled software applications, providing online non-downloadable software.

(260) AM 2018 91700 A

(800) 1243349

(891) 2016 11 29

(731) MARINA CVETIC

Via San Silvestro, 3, I-66010 SAN MARTINO SULLA MARRUCINA (CH), Italy

(540)



(591) Black, white

(531) 27.05.02; 27.05.10

(511)

33 – Wines.

(260) AM 2018 91701 A

(800) 1337793

(891) 2016 12 14

(731) Obshchestvo s ogranichennoy

otvetstvennostyu "INTER"

per. Vorotnikovskiy, d. 7, str. 3, RU-127006

gor. Moskva, Russian Federation

(540)



(591) Blue, gray and white.

(531) 26.01.19; 26.01.24; 27.05.01; 29.01.13

(511)

10 – Medical apparatus and instruments, including physiotherapy apparatus; lamps for medical purposes; quartz lamps for medical purposes; ultraviolet ray lamps for medical purposes.

(260) AM 2018 91702 A

(800) 1273463

(891) 2016 11 16

(731) SUNECHO LIMITED

Julia House, 3 Themistokli Dervi Street, P.C.,

CY-1066 Nicosia, Cyprus

(540)





(591) Black, white

(531) 26.04.22; 27.05.01; 27.05.24

(526) R

(511)

29 – Meat, fish, poultry and game; meat extracts; preserved, frozen, dried and cooked fruits and vegetables; jellies, jams, compotes; eggs; milk and milk products; edible oils and fats; ajvar [preserved peppers]; aloe vera prepared for human consumption; alginates for culinary purposes; anchovy; peanuts, prepared; albumen for culinary purposes; white of eggs; beans, preserved; soya beans, preserved, for food; bouillon, including instant bouillon; ginger jam; ham; fatty substances for the manufacture of edible fats; toasted laver; edible birds' nests; peas, preserved; mushrooms, preserved; gelatine; meat jellies; jellies for food; fruit jellies; yolk of eggs; coconut fat; bone oil, edible; lard; suet for food; curd; fruit-based snack food; charcuterie; raisins; caviar; fish roe, prepared; yogurt; sauerkraut; kephir [milk beverage]; kimchi [fermented vegetable dish]; isinglass for food; clams, not live; milk shakes; black pudding [blood sausage]; meat, tinned; vegetables, tinned; fish, tinned; fruits, tinned; bouillon concentrates; gherkins; shrimps, not live; prawns, not live; buttercream; croquettes; silkworm chrysalis, for human consumption; kumys [kumyss] [milk beverage]; spiny lobsters, not live; lecithin for culinary purposes; salmon, not live; onions, preserved; margarine; piccalilli; marmalade; peanut butter; cocoa butter; colza oil for food; coconut butter; corn oil; sesame oil; linseed oil for culinary purposes; olive oil for food; palm oil for food; palm kernel oil for food; sunflower oil for food; coconut oil; butter; shellfish, not live; almonds, ground; animal marrow for food; mussels, not live; condensed milk; protein milk; soya milk [milk substitute]; fish meal for human consumption; vegetable mousses; fish mousses; fruit pulp; meat, preserved; milk beverages, milk predominating; potato fritters; olives, preserved; lobsters, not live; coconut, desiccated; nuts, prepared; tomato paste; liver pastes; pectin for culinary purposes; liver; pickles; powdered eggs; foods made from fish; prostokvasha [soured milk]; poultry, not live; pollen prepared as foodstuff; cranberry sauce [compote]; tomato purée; apple purée; crayfish, not live; crustaceans, not live; fish, preserved; fish, not live; salted fish; ryazhenka [fermented baked milk]; vegetable salads; fruit salads; bacon; sardines, not live; pork; herrings, not live; seeds, prepared; sunflower seeds, prepared; cream [dairy products]; whipped cream; fat-containing mixtures for bread slices; smetana [sour cream]; tomato juice for cooking; vegetable juices for cooking; salted meats; sausages; sausages in batter; preparations for making bouillon including preparations for making instant bouillon; preparations for making soup including preparations for making instant soup; soups, including instant soups; tripe; vegetable soup preparations including

instant vegetable soup; whey; cheese; tahini [sesame seed paste]; tofu; sea-cucumbers, not live; truffles, preserved; tuna, not live; oysters, not live; milk ferments for culinary purposes; rennet; fish fillets; dates; crystallized fruits; potato flakes; potato purée; hummus [chickpea paste]; fruit peel; preserved garlic; lentils, preserved; potato chips; low-fat potato chips; fruit chips; non-alcoholic eggnog; seaweed extracts for food; snail eggs for consumption.

30 – Coffee, tea, cocoa and artificial coffee; rice; tapioca and sago; flour and preparations made from cereals; bread, pastry and confectionery; edible ices; sugar, honey, treacle; yeast, baking-powder; salt; mustard; vinegar, sauces (condiments); spices; ice for refreshment; aromatic preparations for food; flavorings [flavourings], other than essential oils, for cakes; flavorings [flavourings], other than essential oils, for beverages; coffee flavorings [flavourings]; star aniseed; cereal bars; high-protein cereal bars; pancakes; noodle-based prepared meals; buns; bread rolls; vanillin [vanilla substitute]; vanilla [flavoring]; waffles; vermicelli [noodles], including instant noodles; natural sweeteners; sausage binding materials; binding agents for ice cream [edible ices]; sea water for cooking; seaweed [condiment]; malt biscuits; cloves [spice]; cake frosting [icing]; glucose for culinary purposes; gluten additives for culinary purposes; thickening agents for cooking foodstuffs; leaven; rice-based snack food; cereal-based snack food; vegetal preparations for use as coffee substitutes; dressings for salad; fruit jellies [confectionery]; confectionery for decorating Christmas trees; cakes; pastries; peanut confectionery; almond confectionery; pasta including instant pasta; ginger [spice]; frozen yogurt [confectionery ices]; capers; caramels [candy]; curry [spice]; ketchup [sauce]; quiches; gluten prepared as foodstuff; sweetmeats [candy]; liquorice [confectionery]; peppermint sweets; cinnamon [spice]; unroasted coffee; starch for food; crackers; custard; hominy grits; semolina; oatmeal; crushed barley; groats for human food; corn, milled; corn, roasted; meat pies; turmeric; couscous [semolina]; farinaceous foods; noodles including instant noodles; ice, natural or artificial; candy; rice cakes; mayonnaise; macaroons [pastry]; macaroni including instant macaroni; maltose; hominy; marinades; marzipan; royal jelly; bean meal; tapioca flour; potato flour; corn flour; wheat flour; soya flour; barley meal; dessert mousses [confectionery]; chocolate mousses; muesli; mint for confectionery; cocoa beverages with milk; coffee beverages with milk; coffee-based beverages; tea-based beverages; chocolate beverages with milk; chocolate-based beverages; cocoa-based beverages; infusions, not medicinal; crushed oats; husked oats; nutmegs; stick liquorice [confectionery]; soya bean paste [condiment]; pastilles [confectionery]; molasses for food; pâtés en croûte; pepper; allspice; peppers [seasonings]; pesto [sauce]; biscuits; petit-beurre biscuits; pies; pizzas; meat gra-

vies; fondants [confectionery]; popcorn; powders for ice cream; mustard meal; pralines; meat tenderizers, for household purposes; cereal preparations; oat-based food; propolis; gingerbread; petits fours [cakes]; puddings; cake powder; fruit coulis [sauces]; ravioli; chewing gum; relish [condiment]; wheat germ for human consumption; spring rolls; palm sugar; aniseed; linseed for human consumption; golden syrup; cake dough; baking soda [bicarbonate of soda for cooking purposes]; malt for human consumption; salt for preserving foodstuffs; cooking salt; celery salt; sorbets [ices]; ham glaze; soya sauce; tomato sauce; pasta sauce; spaghetti including instant spaghetti; seasonings; preparations for stiffening whipped cream; rusks; breadcrumbs; sushi; sandwiches; tabbouleh; tacos; cream of tartar for culinary purposes; tarts; dough; pastry dough; almond paste; tortillas; garden herbs, preserved [seasonings]; beer vinegar; ferments for pastes; halvah; unleavened bread; chips [cereal products]; corn flakes; oat flakes; chicory [coffee substitute]; iced tea; chutneys [condiments]; cheeseburgers [sandwiches]; chow-chow [condiment]; saffron [seasoning]; chocolate; malt extract for food; essences for foodstuffs, except etheric essences and essential oils; husked barley.

(260) AM 2018 91703 A

(800) 1337795

(891) 2016 12 14

(731) Sovmestnoe otkrytoe aktsionerno  
obshchestvo "KOMMUNARKA"  
ul. Aranskaya 18, 220033 Minsk, Belarus

(540)

**СОРВАНЕЦ**

(591) Black, white

(531) 28.05

(511)

30 – Confectionery, including sweetmeats [candy]; chocolate.

(260) AM 2018 91708 A

(800) 1337800

(891) 2017 02 14

(731) Obshchestvo s ogranichennoy  
otvetstvennostyu "ZAVOD"  
pr-kt Kutuzovsky, d. 12, str. 1, RU-121248  
MOSCOW, Russian Federation

(540)



(591) Black, white

(531) 26.04.03; 27.05.22; 28.05

(511)

43 – Bar services; café services; cafeteria services; food and drink catering; food sculpting; restaurant services; self-service restaurant services; services for providing food and drink; snack-bar services.

(260) AM 2018 91710 A

(800) 1337884

(891) 2016 11 21

(731) SHANDONG HAOHUA TIRE CO., LTD.  
Houzhen Industry Zone, Shouguang City,  
Weifang City, Shandong Province, China

(540)

**HAOHUA**

(591) Black, white

(531) 27.05.02

(511)

12 – Inner tubes for pneumatic tyres; casings for pneumatic tires (tyres); solid tires for vehicles; tires (vehicles); automobile tires; vehicles tires; anti-skid tyre nails (spikes for tyres); adhesive rubber patches for repairing inner tubes; repair outfits for inner tubes; inner tubes for bicycles.

(260) AM 2018 91711 A

(800) 1337904

(891) 2016 11 30

(731) ALTIA PLC

P.O. Box 350, FI-00101 Helsinki, Finland

(540)

**ARSENITCH**

(511)

33 – Alcoholic beverages (except beers).

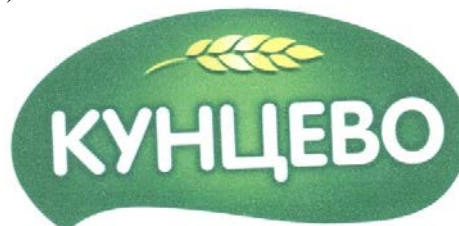
(260) AM 2018 91726 A

(800) 1337970

(891) 2016 08 22

(731) Aktsionernoje obshestvo "Torgovo-  
promyshlennaya gruppа "KUNTSEVO"  
Borovskoje shosse, 33, RU-119633 Moscow,  
Russian Federation

(540)



(591) Green, light-green, yellow, light-yellow, white

(531) 05.07.02; 26.13.25; 28.05; 29.01.13  
(511)

29 – Alginates for culinary purposes; processed peanuts; canned beans; broth; ginger jam; fatty substances for the manufacture of edible fats; canned peas; mushrooms, preserved; gelatine; jellies for food; edible fats; sausages; raisins; sauerkraut; canned meat; canned vegetables; canned fruit; broth concentrates; gherkins; butter cream; croquettes; onions, preserved; margarine; piccalilli; marmalade; vegetable oils; butter; almonds, ground; animal marrow for food; milk; fruit pulp; meat; dried vegetables; cooked vegetables; potato pancakes; canned olives; processed nuts; tomato puree; liver pate; pectin for culinary purposes; liver; pickles; jams; powdered eggs; bacon; dairy products; pollen prepared as foodstuff; cranberry sauce; apple puree; vegetable salads; fruit salads; whipped cream; fat-containing mixtures for bread slices; vegetable juices for cooking; corned beef; sausages in bread crumbs; preparations for making broths; preparations for making soups; tripe; soups; cheese; bean curd; preserved truffles; rennet; dates; candied fruits; frozen fruits; canned fruits; fruits preserved in alcohol; stewed fruits; potato flakes; hummus; fruit peel; lentils, preserved; potato chips; fruit chips; seaweed extracts for food; meat extracts; eggs.

30 – Aromatic preparations for food; star aniseed; biscuits; pancakes; buns; bread rolls; vanillin; vanilla [flavoring]; waffles; vermicelli; natural sweeteners; sausage binding materials; binding agents for ice cream [edible ices]; sea water for cooking; glucose for culinary purposes; mustard; thickening agents for cooking foodstuffs; coffee substitutes; confectionery for decorating Christmas trees; cookies; pastries; peanut confectionery; almond confectionery; pasta; small pies; frozen yogurt; cocoa; capers; caramel; quiche; candies; coffee; starch for food; crackers; groats for human food; corn, milled; roasted corn; meat pies; turmeric for food; couscous; noodles; edible ices; rice cakes; maltose; fruit jellies [confectionery]; marzipan; custard; honey; ice cream; flour; muesli; mint for confectionery; cocoa beverages with milk; coffee beverages with milk; coffee beverages; tea-based beverages; chocolate beverages with milk; chocolate-based beverages; cocoa beverages; infusions, not medicinal; crushed oats; husked oats; nutmeg; pastilles [confectionery]; molasses for food; pepper; petits fours [cakes]; biscuit; cakes; pizza; fondants [confectionery]; popcorn; powders for ice cream; pralines; cereal preparations; oat-based food; propolis; gingerbread; spices; puddings; sugar confectionery; ravioli; chewing gum; rice; spring rolls; sugar; pastry; sweets; malt for human consumption; salt for preserving foodstuffs; salt; celery salt; spaghetti; seasonings; preparations for stiffening whipped cream; breadcrumbs; sushi; sandwiches; yeast; tabbouleh; tacos; tapioca; almond paste; tortillas; garden herbs, preserved [seasonings];

vinegar; halvah; bread; chips [cereal products]; chicory; tea; iced tea; chocolate; malt extract for food; essences for foodstuffs, except etheric essences and essential oils.

31 – Oranges; peanuts, fresh; beans, fresh; grapes, fresh; algae for human or animal consumption; fruit residue; dog biscuits; peas, fresh; mushrooms, fresh; trees; sod; undressed timber; yeast for animal consumption; Christmas trees; edible chews for animals; grains [cereals]; grains for animal consumption; lime for animal forage; cocoa beans, raw; potatoes, fresh; chestnuts, fresh; copra; raw bark; meal for animals; bird food; chicory roots; roots for food; nettles; groats for poultry; corn, fresh; edible sesame, unprocessed; shrubs; rose bushes; lemons; palms [leaves of the palm tree]; vine plants; onions, fresh vegetables; leeks, fresh; olives, fresh; almonds [fruits]; peanut meal for animals; beverages for pets; oats, fresh; vegetables, fresh; cucumbers, fresh; nuts [fruits]; bran; peppers [plants]; fresh fruits; pollen [raw material]; seedlings; plants; plants, dried, for decoration; rhubarb; rice, unprocessed; rye; lettuce, fresh; beet; plant seeds; hay; sanded paper for pets [litter]; malt for brewing and distilling; straw [forage]; straw litter; wood chips for the manufacture of wood pulp; sugar cane; truffles, fresh; squashes, fresh; fodder; hops; flower bulbs; flowers, natural; flowers, dried, for decoration; chicory [salad]; lentils, fresh; pine cones; hop cones; berries, fresh fruits; barley.

(260) AM 2018 91741 A

(800) 1338449

(891) 2016 09 27

(731) SATNAM OVERSEAS (EXPORTS) JUGAL KISHORE ARORA, SATNAM ARORA and GURNAM ARORA  
401, vipps centre, 2 community complex, greater kailash-ii, masjid moth, New Delhi  
110 048, India

(540)

**MONSOON**

(591) Black and white

(531) 27.05.17

(511)

30 – Rice and rice preparation.

(260) AM 2018 91742 A

(800) 1338450

(891) 2016 08 18

(731) TURGE MOBİLYA İÇ VE DIŞ TİCARET LİMİTED ŞİRKETİ  
Müftü Mahallesi Atatürk, Caddesi No:43/B/5,  
Ardeşen- Rize, Turkey

(540)



(591) Black, red and grey

(531) 01.15.21; 19.03.01; 25.01.19; 27.05.10;  
29.01.13

(511)

32 – Beers; preparations for making beer; mineral water; spring water; table water; soda water; fruit and vegetable juices; fruit and vegetable concentrates and extracts for making beverages; non-alcoholic soft drinks; energy drinks.

(260) AM 2018 91743 A

(800) 1338578

(891) 2016 09 14

(731) EURO GAMES TECHNOLOGY LTD.

"Maritsa" Str. 4, "Vranya-Lozen-Triugulnika",  
BG-1151 Sofia, Bulgaria

(540)



(591) Yellow, light brownish-yellow, red and black

(531) 05.13.25; 25.01.25; 27.05.01; 27.05.02;  
27.05.03; 27.05.08; 27.05.11; 29.01.14

(511)

9 – Apparatus for recording, transmission or reproduction of sound or images; data processing equipment and computers.

28 – Games; amusement machines, automatic and coin-operated; gaming machines adapted for use with an external screen or monitor.

(260) AM 2018 91744 A

(800) 1338604

(891) 2016 11 08

(731) "DOUSTR MARIANNA" LLC

6/17 Akhtanaki street, Yerevan, Armenia

(540)

ΑΡΦΕΤΤΟ

ΛΙΒΕΣΣΑ

(591) Black and white

(531) 27.05.01; 28.05

(511)

29 – Meat, fish, poultry and game; meat extracts; preserved, frozen, dried and cooked fruits and vege-

tables; jellies, jams, compotes; eggs; milk and milk products; edible oils and fat; buttercream, whipped cream, margarine, butter, blended oils for sandwiches, cottage cheese, cheese, cooked or fermented cheeses, yogurt, milk drinks, kefir, matzoon [fermented milk product], buttermilk.

(260) AM 2018 91745 A

(800) 1338676

(891) 2016 12 23

(731) ARA AG

Zur Schlenkhecke 4, 40764 Langenfeld,  
Germany

(540)



(591) Black and white

(531) 27.05.01; 27.05.19

(511)

18 – Leather and imitations of leather and goods from these materials, namely briefcases, swim bags, pocket wallets, shopping bags, hand bags, game bags [hunting accessories], travel bags, backpacks, school bags, bags, bags [envelopes, pouches] of leather for packaging; package bags of leather; animal skins, hides; trunks and travelling bags; umbrellas; parasols, walking sticks; whips, harness and saddlery.

25 – Clothing, particularly belts; footwear, particularly insoles, headgear.

35 – Wholesaling and retailing of shoe care preparations, shoe cleaning preparations, shoe cleaning utensils, shoes trees, insoles, shoelaces, goods made of leather and imitations of leather, in particular handbags, briefcases, pocket wallets, key cases and purses, trunks and travelling bags, umbrellas, footwear, clothing, socks, stockings, belts and headgear; sales consultancy relating to the aforesaid goods; organizational and marketing-oriented consultancy for contractual partners regarding business management, shop construction, sales strategies, marketing and advertising; rental of shop fittings and shop accessories, sales aids and shop decorations, included in class 35; professional business consultancy for franchise concepts; business management consultancy in relation to franchise.

(260) AM 2018 91746 A

(800) 1338773

(891) 2016 06 03

(731) GRYGOROVYCH SVITLANA

ANATOLIIVNA

vul. Shepeleva, 4, kv. 1, Kiev 03061,  
Ukraine

(540)

**kodi**  
professional

(591) Black and white

(531) 27.05.10; 27.05.17

(511)

3 – Balms other than for medical purposes; beard dyes; hair colorants; colorants for toilet purposes; bergamot oil; lip glosses; nail polish; nail varnish; badian essence; petroleum jelly for cosmetic purposes; cotton wool for cosmetic purposes; cotton sticks for cosmetic purposes; cotton swabs for cosmetic purposes; bleaching preparations [decolorants] for cosmetic purposes; moustache wax; mustache wax; astringents for cosmetic purposes; gaultheria oil; make-up; lipsticks; disinfectant soap; deodorants for human beings or for animals; deodorant soap; depilatories; depilatory preparations; depilatory wax; scented water; scented wood; ethereal essences; essential oils; ethereal oils; essential oils of cedarwood; Javelle water; jasmine oil; greases for cosmetic purposes; aromatics [essential oils]; lacquer-removing preparations; varnish-removing preparations; shaving stones [astringents]; extracts of flowers [perfumes]; adhesives for affixing false hair; adhesives for affixing false eyelashes; adhesives for cosmetic purposes; collagen preparations for cosmetic purposes; hair conditioners; cosmetics; eyebrow cosmetics; cosmetic preparations for eyelashes; make-up powder; beauty masks; cosmetic kits; hair straightening preparations; cosmetic preparations for skin care; sun-tanning preparations [cosmetics]; cosmetic preparations for slimming purposes; cosmetic preparations for baths; cosmetic creams; cakes of soap; cakes of toilet soap; lavender water; lavender oil; incense; hair spray; essential oils of lemon; polishing wax; hair lotions; lotions for cosmetic purposes; after-shave lotions; massage gels other than for medical purposes; almond oil; almond soap; almond milk for cosmetic purposes; soap; shaving soap; soap for foot perspiration; musk [perfumery]; mint essence [essential oil]; nail art stickers; neutralizers for permanent waving; fumigation preparations [perfumes]; eau de Cologne; eyebrow pencils; cosmetic pencils; oils for perfumes and scents; oils for cosmetic purposes; oils for toilet purposes; bases for flower perfumes; cleansing milk for toilet purposes; perfumery; perfumes; pumice stone; hydrogen peroxide for cosmetic purposes; jewellers' rouge; polishing rouge; pomades for cosmetic purposes; shaving preparations; make-up preparations; nail care preparations; make-up removing preparations; hair waving preparations; waving preparations for the hair; bath preparations, not for medical purposes; aloe vera preparations for cosmetic purposes; antiperspirant

soap; tissues impregnated with cosmetic lotions; tissues impregnated with make-up removing preparations; bath salts, not for medical purposes; sunscreen preparations; potpourris [fragrances]; dry shampoos; talcum powder, for toilet use; terpenes [essential oils]; rose oil; toilet water; mascara; cosmetic dyes; henna [cosmetic dye]; essential oils of citron; shampoos; false eyelashes; false nails.

8 – Curling tongs; eyelash curlers; nail nippers; razor cases; beard clippers; hair-removing tweezers; nail files, electric; nail files; scissors; shearers [hand instruments]; emery boards; pedicure sets; hair clippers for personal use, electric and non-electric; manicure sets, electric; manicure sets; shear blades; razor blades; blades [hand tools]; hand implements for hair curling; depilation appliances, electric and non-electric; razor strops; razors, electric or non-electric.

35 – Cost price analysis; market studies; business appraisals; marketing research; sales promotion for others.

(260) AM 2018 91747 A

(800) 1338759

(891) 2017 01 17

(731) FRIESLANDCAMPINA NEDERLAND B.V.  
Stationsplein 4, NL-3818 LE Amersfoort,  
Netherlands

(540)



(591) Gold, white; several shades of blue and green

(531) 01.15.15; 05.07.21; 26.04.02; 26.04.05; 26.04.15;  
26.04.22; 26.04.24; 27.05.02; 27.05.07; 27.05.24

(511)

5 – Food for babies.

29 – Milk and milk products.

30 – Chocolate and chocolate flavoured drinks; cereals and preparations made from cereals.

(260) AM 2018 91748 A

(800) 1338769

(891) 2015 12 23

(731) MATRIZE Handels-GmbH  
Ferdinandstr. 25-27, 20095 Hamburg, Germany

(540)



(591) Black and blue

(531) 27.05.01; 27.05.21; 29.01.12

(511)

6 – Buildings, transportable, of metal; cables of metal, non-electric; wire of common metal; buckles of common metal [hardware]; goods of common metal not included in other classes; soldering wire of metal; rods of metal for brazing and welding; step stools of metal; screws of metal; hoppers of metal, non-mechanical; sleeves [metal hardware]; nuts of metal; rivets of metal; padlocks; locks of metal, other than electric; paint spraying booths of metal; hooks [metal hardware]; stop collars of metal; pipe muffs of metal; anvils; grease nipples; collars of metal for fastening pipes; binding screws of metal for cables; clips of metal for cables and pipes; tool handles of metal; crampons of metal [cramps]; pipes of metal; chains of metal; hinges of metal; cotter pins of metal; boxes of common metal; tool chests of metal, empty.

7 – Welding machines, electric; welding apparatus, gas-operated; concrete mixers [machines]; saw benches [parts of machines]; lawnmowers [machines]; drilling bits [parts of machines]; soldering blow pipes, gas-operated; compressors [machines]; harvesting machines; rinsing machines; pumps [machines]; presses [machines for industrial purposes]; air brushes for applying colour; metalworking machines; handling apparatus for loading and unloading; tools [parts of machines]; hand-held tools, other than hand-operated; sharpening wheels [parts of machines]; chucks [parts of machines]; soldering irons, gas-operated; soldering irons, electric; agricultural implements other than hand-operated.

8 – Hammers [hand tools]; screwdrivers; spanners [hand tools]; parts of hand tools; attachments for hand tools; pliers; tongs; chisels; saw blades [parts of hand tools]; shear blades; tool belts [holders]; saws [hand tools]; crow bars; priming irons [hand tools]; mortise chisels; augers [hand tools]; carpenters' augers; hand drills [hand tools]; riveters [hand tools]; hand-operated staple guns for furniture; drill holders [hand tools]; borers; bits [parts of hand tools]; hollowing bits [parts of hand tools]; secateurs; blades [hand tools]; lifting jacks, hand-operated.

9 – Gloves for protection against accidents; gloves for protection against X-rays for industrial purposes; asbestos gloves for protection against accidents; anti-glare visors; solderers' helmets; knee-pads for workers; life belts; respirators for filtering air; workmen's protective face-shields; protective helmets; shoes for protection against accidents, irradiation and fire; levels [instruments for determining the horizontal]; measuring instruments; rulers [measuring instruments]; measuring tapes; calipers; micrometers; angle gauges; laser levels; laser range finders; opisometers.

16 – House painters' rollers; paintbrushes; painters' brushes; adhesive bands for stationery or household purposes; marking chalk; paper cutters [office requisites].

20 – Furniture; goods (not included in other classes) of wood or plastic.

21 – Household or kitchen utensils; articles for cleaning purposes; gloves for household purposes; polishing gloves; gardening gloves.

(260) AM 2018 91750 A

(800) 1338831

(891) 2016 08 12

(731) KADİR TARIK EDİZ TEKSTİL SANAYİ VE TİCARET ANONİM ŞİRKETİ  
Merkez Mah. Bağlar Cad. No:16, Kağıthane,  
İSTANBUL, Turkey

(540)

TARIK EDİZ

(591) Black and white

(531) 27.05.10

(511)

25 – Clothing, footwear, headgear.

35 – Advertising, marketing and publicity services; organization of exhibitions and trade fairs for commercial or advertising purposes; office functions; advisory services for business management; business accounts management; import-export agencies; business efficiency experts; auction and reverse auction services; the bringing together, for the benefit of others, of clothing, footwear, headgear (excluding the transport thereof), enabling customers to conveniently view and purchase those goods from wholesale outlets, retail outlets and from a general merchandise catalogue by mail order or by means of telecommunications.

(260) AM 2018 91751 A

(800) 1338837

(891) 2016 09 08

(731) NEVALABS YAZILIM VE BİLİSİM  
TEKNOLOJİLERİ ANONİM ŞİRKETİ  
Ayaspaşa Cami Sokak 2/6, Gumussuyu  
Beyoğlu İstanbul, Turkey

(540)

nevalabs

(591) Blue, grey

(531) 26.13.25; 27.05.01; 27.05.22; 29.01.12

(511)

9 – Measurement apparatus and equipment including those for scientific, nautical, topographic, meteorological, industrial and laboratory purposes, thermome-

ters, not for medical purposes, barometers, ammeters, voltmeters, hygrometers, testing apparatus not for medical purposes, telescopes, periscopes, directional compasses, speed indicators, laboratory apparatus, microscopes, magnifying glasses, stills, ovens and furnaces for laboratory experiments; apparatus for recording, transmission or reproduction of sound or images, cameras, photographic cameras, television apparatus, video recorders, CD and DVD players and recorders, MP3 players, computers, desktop computers, tablet computers, microphones, loudspeakers, earphones, telecommunications apparatus, apparatus for the reproduction of sound or images, computer peripheral devices, cell phones, covers for cell phones, telephone apparatus, computer printers, scanners [data processing equipment], photocopiers; magnetic and optic data carriers and computer software and programmes recorded thereto, downloadable and recordable electronic publications, encoded magnetic and optic cards; antennas, satellite antennas, amplifiers for antennas, parts of the aforementioned goods; ticket dispensers, automatic teller machines (ATM); electronic components used in the electronic parts of machines and apparatus, semiconductors, electronic circuits, integrated circuits, chips [integrated circuits], diodes, transistors [electronic], magnetic heads for electronic apparatus, electronic locks, photocells, remote control apparatus for opening and closing doors, optical sensors; counters and quantity indicators for measuring the quantity of consumption, automatic time switches; clothing for protection against accidents, irradiation and fire, safety vests and life-saving apparatus and equipment; eyeglasses, sunglasses, optical lenses and cases, containers, parts and components thereof; apparatus and instruments for conducting, transforming, accumulating or controlling electricity, electric plugs, junction boxes [electricity], electric switches, circuit breakers, fuses, lighting ballasts, battery starter cables, electrical circuit boards, electric resistances, electric sockets, transformers [electricity], electrical adapters, battery chargers, electric door bells, electric and electronic cables, batteries, electric accumulators; alarms and anti-theft alarms, other than for vehicles, electric bells; signalling apparatus and instruments, luminous or mechanical signs for traffic use; fire extinguishing apparatus, fire engines, fire hose and fire hose nozzles; radar apparatus, sonars, night vision apparatus and instruments; decorative magnets; metronomes.

42 – Scientific and industrial analysis and research services; engineering; engineering and architectural design services; testing services for the certification of quality and standards; computer services, namely, computer programming, computer virus protection services, computer system design, creating, maintaining and updating websites for others, computer software design, updating and rental of computer software, providing search engines for the internet, hos-

ting websites, computer hardware consultancy, rental of computer hardware; industrial design services, other than engineering, computer and architectural design; graphic arts designing.

45 – Legal services, consultancy in the fields of intellectual and industrial property rights; security services for the protection of individuals and property; fire-fighting services; consultancy relating to workplace safety.

(260) AM 2018 91753 A

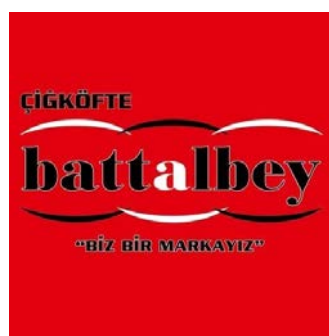
(800) 1338896

(891) 2016 06 02

(731) SAİT AYBAK

Eski Edirne Asfaltı Malkoçoğlu Mah. No:889-891,  
Sultangazi İSTANBUL, Turkey

(540)



(591) Red, black and white

(531) 25.01.01; 26.11.12; 27.05.10; 27.05.11;

29.01.13

(511)

29 – Meat, fish, poultry and game; processed foodstuff based on meat, dried pulses, soups, bouillon, processed olives, olive paste, milk and milk products, butter, edible oils, dried, preserved, frozen, cooked, smoked or salted fruits and vegetables; pollen prepared as foodstuff, prepared nuts and dried fruits as snacks, hazelnut and peanut paste; tahini (sesame seed paste), eggs and powdered eggs, potato chips.

35 – Advertising; marketing and public relations; organization of exhibitions and trade fairs for commercial or advertising purposes; office functions; secretarial services; arranging newspaper subscriptions for others; compilation of statistics; rental of office machines; systemization of information into computer databases; telephone answering for unavailable subscribers; business management; business administration and business consultancy; accounting; commercial consultancy services; personnel recruitment; personnel placement; employment agencies; import-export agencies; temporary personnel placement services; auctioneering; the bringing together, for the benefit of others, of a variety of goods, namely, meat, fish, poultry and game, processed meat products, dried pulses, soups, bouillon, processed

olives, olive paste, milk and milk products, butter, edible oils, dried, preserved, frozen, cooked, smoked or salted fruits and vegetables, tomato paste, prepared nuts and dried fruits as snacks, hazelnut spreads and peanut butter, tahini (sesame seed paste), eggs and powdered eggs, potato chips, enabling customers to conveniently view and purchase those goods, such services may be provided by retail stores, wholesale outlets, by means of electronic media or through mail order catalogues.

43 – Providing of food and drink; restaurants, self-service restaurants, cafeterias; cafes, canteens, cocktail lounge services, snack bars, catering, pub services; rental of food service equipment for the preparation of food and drinks.

(260) AM 2018 91768 A

(800) 1339008

(891) 2016 02 18

(731) MATRIZE Handels-GmbH

Ferdinandstr. 25-27, 20095 Hamburg, Germany

(540)

**MATRIX**

(591) Black and white

(531) 27.05.17

(511)

3 – Polishing preparations; abrasive preparations; polishing stones; smoothing sandpaper; stones for smoothing.

7 – Alternators; dynamos; emergency power generators; current generators; pneumatic staplers (hand-held tools other than hand-operated); spring pullers, hydraulic (tools other than hand-operated); pneumatic nail guns (hand-held tools other than hand-operated); replacement parts for hand-held tools, other than hand-operated; grinding replacement parts for hand-held tools, other than hand-operated; abrasive replacement parts for hand-held tools other than hand-operated; polishing replacement parts for hand-held tools, other than hand-operated; drilling replacement parts for hand-held tools, other than hand-operated; extension parts for hand-held tools, other than hand-operated; bits for hand-held tools, other than hand-operated; drill chucks for power drills; core drills for power tools; impact sockets for hand-held tools, other than hand-operated; accessories for hand-held tools, other than hand-operated, included in this class; accessories for pneumatic tools and instruments, included in this class; accessories for pneumatic paint sprayers, included in this class; pneumatic plaster sprayers (tools, other than hand-operated); adapters/converters for fastening parts of tools, other than hand-operated; transmission jacks (elevating apparatus); elevating apparatus; elevating machines; traverse lifting equipment; jacks [machines]; supports for lifting jacks (parts of machines); jacks bases (parts of machines); linings for lifting

jacks (parts of machines); hydraulic instruments included in this class; hydraulic cylinders (lifting devices for auto body repair); slipways for auto body repair; hoists (lifting devices); engine levelers (lifting device for car repairs).

8 – Parts of hand tools; attachments for hand tools; replacement parts for hand tools; scraper blades (parts of hand tools); extension bits (fastening accessories for hand tools); covers for hand tools and instruments; cases for hand tools and instruments; wall mounted holders for hand tools and instruments; tool belts [holders]; waistcoats for holding hand tools and instruments; belts for hand instrument cases; belts for hand instruments bags; bits (replacement parts for hand tools); impact screwdrivers; bit holders for drills; cutters (parts of hand-held tools and instruments); drilling bits for hand-held tools and instruments; extension parts for hand tools and instruments; impact sockets for hand tools; tap holders (hand tools); saw blades for hand-held tools (parts of hand tools); grinding mesh holders (hand tools); drill chuck keys (hand tools); extractors (hand tools); sharpening instruments; knife sharpening instruments; scissors sharpening instruments; secateurs sharpening instruments; stands for hand jacks.

9 – Magnetizing apparatus for screwdriver tips; demagnetizing apparatus for screwdriver tips; measuring instruments; levels [instruments for determining the horizontal]; level rulers [measuring and determining the horizontal instruments]; measuring tape; calipers; squares [measuring instruments]; opisometers; micrometers; protective pads for workers; signaling waistcoats.

16 – Powdered chalk; glue rods for household purposes; paint trays.

17 – Polyethylene protective films; insulating tape; self-adhesive tapes included in this class.

20 – Seats of metal; chairs [seats]; stools; seats with casters (furniture); telescopic adapters for tool handles, not of metal.

(260) AM 2018 91787 A

(800) 1339170

(891) 2016 12 26

(731) Closed Joint Stock Company "KDV  
Pavlovskij Posad"

Mishutinskoje highway, 4B, Pavlovskij Posad,  
RU-142505 Moskovskaja oblast, Russian Federation

(540)





(591) Green, blue, yellow, orange, white, gray, light brown, brown, dark brown and black

(531) 03.07.15; 05.03.07; 05.03.15; 07.01.18; 27.05.02; 28.05; 29.01.15

(511)

30 – Cereal bars; pancakes; bread rolls; waffles; artificial coffee; vegetal preparations for use as coffee substitutes; fruit jellies [confectionery]; cakes; pastries; peanut confectionery; almond confectionery; frozen yogurt [confectionery ices]; cocoa; sweetmeats [candy]; liquorice [confectionery]; peppermint sweets; unroasted coffee; coffee; custard; candy; marzipan; honey; ice cream; dessert mousses [confectionery]; chocolate mousses; cocoa beverages with milk; coffee beverages with milk; cocoa-based beverages; tea-based beverages; chocolate-based beverages; chocolate beverages with milk; chocolate-coated nuts; stick liquorice [confectionery]; pastilles [confectionery]; pies; fondants [confectionery]; gingerbread; petits fours [cakes]; puddings; rice pudding; confectionery; halvah; tea; iced tea; chicory [coffee substitute]; chocolate.

(260) AM 2018 91788 A

(800) 1339175

(891) 2016 12 21

(731) PUBLIC JOINT STOCK COMPANY  
GAZPROM NEFT

Galenarya Ul, 5, Lit A, RU-190000  
St-Petersburg, Russian Federation

(540)



(591) Grey, yellow, brown, blue, orange and white

(531) 19.07.07; 29.01.15

(511)

1 – Fluids for hydraulic circuits; brake fluid; hydraulic fluids; transmission fluid; coolants for vehicle engines.

4 – Industrial oils and greases; lubricants; fuels, including motor spirit, and illuminants; cutting fluids; fuel oil; lubricating oil; industrial oil; motor oil; grease for belts.

(260) AM 2018 91790 A

(800) 1339225

(891) 2016 11 19

(731) APPLE INC.

1 Infinite Loop, Cupertino CA 95014, USA

(540)



(591) White, orange, gold, yellow

(531) 07.01.09; 26.04.04; 29.01.13

(511)

9 – Computer hardware; wireless communication devices for the transmission of voice, data, images, audio, video, and multimedia content; computer software; computer peripheral devices; peripheral devices for computers, mobile telephones, mobile electronic devices, wearable electronic devices, smart watches, smart glasses, earphones, headphones, set top boxes, and audio and video players and recorders; cameras; sound recording and reproducing apparatus; digital audio and video players and recorders; audio speakers; audio amplifiers and receivers; voice recording and voice recognition apparatus; earphones; headphones; microphones; televisions; television receivers and monitors; set top boxes; radios; radio transmitters and receivers; remote controls for controlling computers, mobile telephones, mobile electronic devices, wearable electronic devices, smart watches, smart glasses, audio and video players and recorders, televisions, speakers, amplifiers, home theatre systems, and entertainment systems; batteries; battery chargers; electrical and electronic connectors, couplers, wires, cables, chargers, docks, docking stations, and adapters for use with all of the aforesaid goods; alarms, alarm sensors, and alarm monitoring systems; residential security and surveillance systems; smoke and carbon monoxide detectors; thermostats, monitors, sensors, and controls for air conditioning, heating, and ventilation devices and systems; electric and electronic door and window locks and latches; remote controls for opening and closing garage door openers; curtain, drape, window shade, and window blind electric openers and remote controllers; lighting controls; electrical outlets; electrical and electronic switches.

(260) AM 2018 91791 A

(800) 1339236

(891) 2016 11 15

(731) LOUISIANA SPIRITS, LLC

P.O. Box 110, Lacassine LA 70650,  
USA

(540)



(591) Black and white

(531) 02.01.12; 02.01.16; 05.01.16; 06.03.01;  
18.03.01; 26.01.14

(511)

33 – Distilled spirits, alcoholic beverages except beers.

(260) AM 2018 91793 A

(800) 1339266

(891) 2016 11 08

(731) CLASADO IP LIMITED

3rd Floor, 2-6 Church Street, St Helier JE2  
3NN, Jersey

(540)



(591) Yellow, orange, white and different shades of green

(531) 26.01.02; 26.01.24; 26.03.06; 26.07.03;  
29.01.12

(511)

5 – Pharmaceutical and veterinary preparations; sanitary preparations for medical purposes; dietetic food and substances adapted for medical or veterinary use, food for babies; food and dietary supplements for humans and animals; nutritional supplements in lotion/powder form sold as a component of nutritional skin care products; nutritional and dietary supplements; nutritional and dietary additives, namely, a probiotic for use in food and dietary supplements for human consumption; probiotics and prebiotics.

(260) AM 2018 91796 A

(800) 1339438

(891) 2016 12 15

(731) IQOPTION EUROPE LIMITED

Spyrou Kyprianou, 19, Silver House Business  
Centre, 3rd floor CY-3070 Limassol, Cyprus

(540)

**iqoption**

(511)

36 – Accident insurance underwriting; accommodation bureau services [apartments]; actuarial services; antique appraisal; apartment house management; arranging finance for construction projects; art appraisal; bail-bonding; banking; brokerage; brokerage of carbon credits; business liquidation services, financial; capital investment; charitable fund raising; check [cheque] verification; clearing, financial; credit bureau services; debt advisory services; debt collection agency services; deposits of valuables; electronic funds transfer; exchanging money; factoring; fiduciary; financial analysis; financial consultancy; financial customs brokerage services; financial evaluation [insurance, banking, real estate]; financial evaluation of standing timber; financial evaluation of wool; financial information; financial management; financial management of reimbursement payments for others; financial sponsorship; financing services; fire insurance underwriting; fiscal valuation; health insurance underwriting; instalment loans; insurance brokerage; insurance consultancy; insurance information; insurance underwriting; investment of funds; issuance of credit cards; issuance of tokens of value; issuance of travelers' checks; jewellery appraisal; lease-purchase financing; lending against security; life insurance underwriting; loans [financing]; marine insurance underwriting; mortgage banking; mutual funds; numismatic appraisal; online banking; organization of collections; pawnbrokerage; processing of credit card payments; processing of debit card payments; provident fund services; providing financial information via a web site; providing rebates at participating establishments of others through use of a membership card; real estate agency services; real estate appraisal; real estate brokerage; real estate management; rent collection; rental of apartments; rental of farms; rental of offices [real estate]; rental of real estate; repair costs evaluation [financial appraisal]; retirement payment services; safe deposit services; savings bank services; securities brokerage; stamp appraisal; stock brokerage services; stock exchange quotations; stocks and bonds brokerage; surety services.

(260) AM 2018 91797 A

(800) 1339513

(891) 2016 12 20

(731) SAAME TOOLS (SHAANXI) IMPORT &  
EXPORT CO., LTD.Room 11701, Ximei Building, No.99, Changle  
Middle Road, Xincheng District, Shaanxi, China

(540)

**MAZING**

(591) Black, white

(531) 27.05.01  
(511)  
7 – Agricultural machines; whipstitch machine; generators of electricity; handling apparatus for loading and unloading; lathes; cutting tools; bearings; drilling heads; hand-held tools, other than hand-operated; metalworking machines.

(260) AM 2018 91798 A  
(800) 1339530  
(891) 2017 01 24  
(731) ROCHE DIAGNOSTICS GMBH  
Sandhofer Strasse 116 68305 Mannheim,  
Germany

(540)

## COBAS I

(511)  
1 – Chemical, biochemical and biological preparations for scientific purposes; in vitro diagnostic reagents for scientific and research purposes; solutions and reagents for accuracy control of test results; chemical solutions and reagents for calibrating and monitoring the functioning of devices.

5 – Chemical, biochemical and biological preparations for medical purposes; in vitro diagnostic preparations for medical and diagnostic purposes; reagents for in-vitro laboratory use for medical purposes.

9 – Scientific instruments and apparatus; laboratory devices for use in research, science and industry; laboratory instruments for research and diagnostic purposes; computer hardware and software for medical, and diagnostic purposes; computer software for the provision of automated diagnostic laboratory processes; computer software and hardware for use with laboratory instruments, namely, for use in providing remote automated control, data analysis, and data management.

10 – Medical apparatus and instruments; analyzers for in-vitro diagnostic testing for medical purposes; diagnostic apparatus for medical purposes.

(260) AM 2018 91799 A  
(800) 1339536  
(891) 2016 10 26  
(731) ENVASADOS EVA, S.A.  
Polígono Industrial, 24, E-31870  
LECUMBERRI (Navarra), Spain

(540)



(591) Black, brown, red, gray, green, orange, white  
(531) 05.13.09; 05.13.10; 26.04.03; 27.05.15;  
29.01.15

(511)  
33 – Ciders.

(260) AM 2018 91800 A  
(800) 1339564  
(891) 2016 12 23  
(731) FERDINAND RICHTER GMBH  
Schärdinger Strasse 1, A-4061 Pasching,  
Austria

(540)



(591) Blue, yellow  
(531) 26.04.22; 26.04.24; 27.05.24  
(511)

18 – Leather and imitation leather; handbags and cases; bags and valises; school bags, shopping bags, briefcases, sports bags, cosmetic bags and baby changing bags; pocket wallets and purses; backpacks; umbrellas and parasols.

25 – Clothing, footwear, headgear, in particular for children and young people.

(260) AM 091801 A  
(800) 1339586  
(891) 2017 01 16  
(731) NUHEALTH AD  
Porto Lagos Str. No. 47, fl. 1 BG-4003  
Plovdiv, Bulgaria

(540)



(591) White, green and brown  
(531) 05.07.02; 24.17.04; 25.05.02; 26.01.15;  
26.04.24; 27.05.24

(511)  
30 – rice-based snack food; rice; rice cakes; rice chips; rice biscuits; rice cake snacks; rice crackers;

rice crackers (senbei); pellet-shaped rice crackers (arare); rice crisps; rice mixes.

(260) AM 2018 91808 A

(800) 1339595

(891) 2016 09 26

(731) BENNESTONE COMPANY LIMITED

28 Nikodimou Mylona, Limasso 1, CY-3095  
Cyprus

(540)

## FixPay cafe

(511)

29 – Meat, fish, poultry and game; meat extracts; preserved, frozen, dried and cooked fruits and vegetables; jellies, jams, compotes; eggs; milk and milk products; edible oils and fats.

30 – Coffee, tea, cocoa and artificial coffee; rice; tapioca and sago; flour and preparations made from cereals; bread, pastry and confectionery; edible ices; sugar, honey, treacle; yeast, baking-powder; salt; mustard; vinegar, sauces (condiments); spices; ice.

32 – Beers; mineral and aerated waters and other non-alcoholic beverages; fruit beverages and fruit juices; syrups and other preparations for making beverages.

33 – Alcoholic beverages (except beers).

43 – Services for providing food and drink; temporary accommodation.

(260) AM 2018 91809 A

(800) 1339631

(891) 2016 12 02

(731) URSA Salgótarján Glass Wool Close Co., Ltd.

Szépvölgyi út 41, 2/2 H-1037 Budapest,  
Hungary

(540)

## URSA GEO

(511)

17 – Insulating, soundproofing and stopping materials; fabrics, felts, webs, plates, panels and sheets for use as insulation material; rubber or plastics for padding and stuffing; mineral wool, glass wool, stone wool, rock wool, slag wool and fiber glass for thermal or acoustic insulation; glass fibers for insulation; slag wool, glass wool blankets and panels for insulation; wood fiber, plastic insulation materials, especially foamed plastic materials; insulation boards, made from polystyrene, especially made from extruded polystyrene; XPS (extruded polystyrene) material for packing and stuffing; XPS (extruded polystyrene) panels for insulation; plastic film, other than for packaging purposes; substances for insulating buildings against moisture; sealant compounds for joints; insulating paper, insulating tape

and band, rubber, gutta-percha, gum, asbestos, mica; plastics in extruded form for use in manufacture; packing, flexible pipes, weatherizing or sealing membranes and other barrier materials for air tightness and vapor barriers (membrane for moisture protection; vapor barriers; adhesives for sealing and/or attaching or linking membranes of air tightness and/or vapor barriers (for moisture protection) to anything that has to pass through like carpentry, timber studs, tubes, chimney, parts used for ventilation, ducts; insulating adhesives, especially in the form of tapes to be used in combination with insulating material, like mineral wool and XPS (extruded polystyrene); adhesive tapes, insulating material for buildings and/or to glass mineral wool for insulation purposes together with the respective fixing material for fastening the insulation material and/or mineral wool to the construction of a building, namely warm frame construction, cold frame construction, wall/floor junction timber floor, cavity batts, made of mineral fibers, pitched roof insulation, roof junctions for separating wall/attic space, roof junctions for separating wall/room in the roof.

19 – Building materials (non-metallic), including panels and sheets of mineral fibers (especially fiber glass) for buildings; ducts for air conditioning, self-bearing duct designs made from mineral wool especially glass fiber panels used for HVAC (heating, ventilation and air conditioning); mineral wool panels with woven or non-woven facings or coverings; non-metallic rigid pipes for building; asphalt, pitch and bitumen; non-metallic transportable buildings; monuments, not of metal, waterproof claddings.

(260) AM 2018 91823 A

(800) 1339632

(891) 2016 12 02

(731) VALIO LTD

Meijeritie 6, FI-00370 Helsinki, Finland

(540)



(591) Black, white

(531) 25.01.01; 26.02.09

(511)

5 – Dietetic food preparations adapted for medical use; nutritional supplements; dietary supplements; dietary fiber; lactic acid bacteria and lactobacillus; food for babies; substitutes for mother's milk.

29 – Meat, fish, poultry and game; meat extracts; preserved, frozen, dried and cooked fruits and vegetables; jellies, jams, compotes; eggs; milk and milk products; cheese; cheese spreads; smetana [sour cre-

am]; prostokvasha [soured milk]; whey; milk powders, dried whey products and whey powders, yogurt; yogurt drinks; drinks made from dairy products; drinking yogurts; whiteners [dairy] for beverages; double cream; milk ferments for culinary purposes; peanut milk for culinary purposes; beverages made from or containing milk; butter; dairy substitutes; oils and fats; lactic acid bacteria drinks; fruit purees, vegetable purees; soups; prepared meals and snacks containing any of the aforesaid goods.

30 – Coffee, tea, cocoa and artificial coffee; rice; tapioca and sago; flour and preparations made from cereals; bread, pastry and confectionery; ices; sugar, honey, treacle; yeast, baking-powder; salt; mustard; vinegar, sauces (condiments); spices; ice; cheese sauce; snacks made from cereals, honey, cocoa, chocolate or coffee; protein cereal bars and protein chocolate bars; hamburgers, pizzas, bread, porridge, gruel, drinks made from cocoa, coffee beverages with milk, frozen yoghurt.

32 – Mineral and aerated waters and other non-alcoholic drinks; preparations for making beverages; fruit drinks and fruit juices; syrups and other preparations for making beverages; smoothies; non-alcoholic beverages.

---

(260) AM 2018 91824 A

(800) 1339633

(891) 2016 12 02

(731) VALIO LTD

Meijeritie 6, FI-00370 Helsinki, Finland

(540)



(591) Black, white

(531) 07.01.08; 25.01.01; 26.02.09; 26.07.05

(511)

5 – Dietetic food preparations adapted for medical use; nutritional supplements; dietary supplements; dietary fiber; lactic acid bacteria and lactobacillus; food for babies; substitutes for mother's milk.

29 – Meat, fish, poultry and game; meat extracts; preserved, frozen, dried and cooked fruits and vegetables; jellies, jams, compotes; eggs; milk and milk products; cheese; cheese spreads; smetana [sour cream]; prostokvasha [soured milk]; whey; milk powders, dried whey products and whey powders, yogurt; yogurt drinks; drinks made from dairy products; drinking yogurts; whiteners [dairy] for be-

verages; double cream; milk ferments for culinary purposes; peanut milk for culinary purposes; beverages made from or containing milk; butter; dairy substitutes; oils and fats; lactic acid bacteria drinks; fruit purees, vegetable purees; soups; prepared meals and snacks containing any of the aforesaid goods.

30 – Coffee, tea, cocoa and artificial coffee; rice; tapioca and sago; flour and preparations made from cereals; bread, pastry and confectionery; ices; sugar, honey, treacle; yeast, baking-powder; salt; mustard; vinegar, sauces (condiments); spices; ice; cheese sauce; snacks made from cereals, honey, cocoa, chocolate or coffee; protein cereal bars and protein chocolate bars; hamburgers, pizzas, bread, porridge, gruel, drinks made from cocoa, coffee beverages with milk, frozen yoghurt.

32 – Mineral and aerated waters and other non-alcoholic drinks; preparations for making beverages; fruit drinks and fruit juices; syrups and other preparations for making beverages; smoothies; non-alcoholic beverages.

---

(260) AM 2018 91827 A

(800) 1339669

(891) 2016 12 09

(731) APPLE INC.

1 INFINITE LOOP, CUPERTINO CA 95014, USA

(540)

## ULTRABEAT

(511)

9 – Computer software, namely, software for use in authoring, editing, synthesizing, encoding, decoding, playing, storing and organizing audio data.

---

(260) AM 2018 91880 A

(800) 1340696

(891) 2017 01 11

(731) ZENITH GLOBAL MANAGEMENT LLC.

P.O. Box 590, Horsfords Business Centre, Long Point Road, Charlestown Nevis, West Indies, Saint Kitts and Nevis

(540)



(531) 27.01.01; 27.01.25

(511)

9 – Accumulators, electric, for vehicles; antennas; remote control apparatus; sound recording apparatus; sound transmitting apparatus; loudspeakers; coaxial cables; fibre [fiber (Am.)] optic cables; cables, electric; contacts, electric; cabinets for loudspeakers; megaphones; diaphragms [acoustics]; microphones; headphones; sheaths for electric cables; trans-

mitters [telecommunication]; transmitters of electronic signals; switches, electric; converters, electric; satellite navigational apparatus; telegraph wires; telephone wires; wires, electric; conductors, electric; copper wire, insulated; record players; control panels [electricity]; voltage surge protectors; horns for loudspeakers; couplings, electric; amplifiers; sound reproduction apparatus; ducts [electricity].

(260) AM 2018 91895 A  
(800) 1339883  
(891) 2016 12 09  
(731) APPLE INC.  
1 Infinite Loop Cupertino CA 95014, USA  
(540)



(591) Black and gray  
(531) 05.07.13; 26.04.04; 26.04.24; 27.05.23;  
27.05.24  
(511)  
9 – Computer software for controlling the operations of televisions, video monitors, set top boxes, audio, video, and media players and recorders, game players, entertainment systems, home theatre systems, home automation hubs, and consumer electronic devices and displays; computer software for voice command and recognition, for speech-to-text conversion, for personal information management, and for accessing, browsing, and searching online databases, audio, video, and multimedia content, games, software applications, software application marketplaces, program listings and guides, and video on demand.

(260) AM 2018 91899 A  
(800) 1339960  
(891) 2016 12 20  
(731) YUHUAN MEISHENG SANITARY WARE CO., LTD.  
Yuanjia Village, Qinggang Town, Yuhuan County 317606 Zhejiang Province, China  
(540)



(591) Blue, gold, black and white  
(531) 02.01.11; 02.05.02; 02.05.05; 09.07.19;  
26.01.02; 26.01.14; 27.05.01; 29.01.14  
(511)  
11 – Cooling appliances and installations; heating apparatus; faucets for pipes; heating installations; mixer taps for water pipes; flushing tanks; flushing apparatus.

(260) AM 2018 91900 A  
(800) 1339965  
(891) 2016 12 20  
(731) China Resources Packaging Materials CO., LTD.  
Weitang Industrial Zone, Chun Jiang town, Xinbei District, Changzhou Jiangsu, China  
(540)



(591) Black and white  
(531) 27.05.01; 27.05.17; 28.03  
(511)  
1 – Cellulose esters for industrial purposes; plastics, unprocessed; synthetic resins, unprocessed; artificial resins, unprocessed; polypropylene; synthetic resin plastic; polyvinyl chloride resin; ion exchange resin; plasticizers; dispersions of plastics.

(260) AM 2018 91901 A  
(800) 1340937  
(891) 2016 06 15  
(731) GUANGDONG ALPHA ANIMATION AND CULTURE CO., LTD.  
Auldey Industrial Area, Wenguan Rd., Chenghai Shantou Guangdong Province, China  
(540)



(591) Black, white  
(531) 01.15.05; 26.01.06; 27.05.02; 27.05.03  
(511)  
9 – Computer software, recorded; discs (optical -); electronic publications, downloadable; computer game programs; downloadable music files; downloa-

dable image files; video game cartridges; computer programs [downloadable software]; data processing apparatus; computer software applications, downloadable; multifunctional audiovisual teaching machines (term considered too vague by the International Bureau – Rule 13.2.b of the Common Regulations); animated cartoons; cinematographic film, exposed.

16 – Paper; towels of paper; albums; cards; printed matter; writing or drawing books; posters; books; printed publications; bags [envelopes, pouches] of paper or plastics, for packaging; bottle wrappers of cardboard or paper; office requisites, except furniture; stationery; drawing materials.

18 – Travelling trunks; sling bags for carrying infants; backpacks; pocket wallets; pouch baby carriers; briefcases; travelling bags; handbags; travelling sets [leatherware]; trunks [luggage]; bags for sports; covers for animals.

28 – Apparatus for games; games; toys; scale model vehicles; radio-controlled toy vehicles; toy vehicles; toy cars; chess; playing cards; body-training apparatus; plastic racetrack (term considered too vague by the International Bureau – Rule 13.2.b of the Common Regulations).

29 – Meat chest (term considered too vague by the International Bureau – Rule 13.2.b of the Common Regulations); foods prepared from fish; fruits, tinned; potato flakes; fruit-based snack food; vegetable-based snack food; eggs; milk tea, milk predominating; milk beverages, milk predominating; yoghurt; milk; fruit jellies; lactic acid beverages.

30 – Cocoa; coffee; coffee-based beverages; cocoa-based beverages; tea; tea-based beverages; sugar; candy; cereal-based snack food; farinaceous foods; rice-based snack food; cereal preparations; ice cream; condiments.

32 – Beer; mineral water [beverages]; non-alcoholic beverages; aerated water; coke (term considered too vague by the International Bureau – Rule 13.2.b of the Common Regulations); pure water(drink); legume drink (term considered too vague by the International Bureau – Rule 13.2.b of the Common Regulations); non-alcoholic fruit extracts; preparations for making beverages.

35 – Advertising; publicity; organization of trade fairs for commercial or advertising purposes; organization of exhibitions for commercial or advertising purposes; business management consultancy; sales promotion for others; import-export agencies; procurement services for others [purchasing goods and services for other business]; personnel management consultancy; relocation services for businesses; auditing.

41 – Educational services; instruction services; organization of shows [impresario services]; publication

of electronic books and journals on-line; providing on-line electronic publications, not downloadable; production of radio and television programmes; amusement parks; game services provided on-line from a computer network; providing on-line music, not downloadable; providing on-line videos, not downloadable; amusements; film production, other than advertising films.

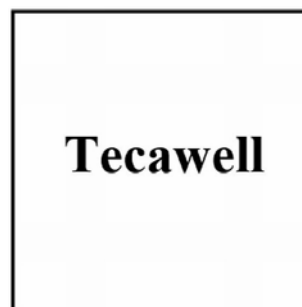
(260) AM 2018 91902 A

(800) 1339967

(891) 2016 12 22

(731) MUSTAFA NEVZAT İLAÇ SANAYİİ  
ANONİM ŞİRKETİ  
Pak İş Merkezi, Prof.Dr.Bülent Tarcan  
Sokak No:5/L, Gayrettepe TR-34349  
İSTANBUL, Turkey

(540)



(591) Black and white

(531) 26.04.01; 26.04.22; 27.05.17

(511)

5 – Pharmaceuticals.

(260) AM 2018 91908 A

(800) 1340994

(891) 2017 02 16

(731) ROSNEFT OIL COMPANY  
Sofiyskaya nab., 26/1, RU-115035 Moscow,  
Russian Federation

(540)



(591) Black, yellow

(531) 26.03.04; 27.05.11; 27.05.17; 29.01.12

(511)

35 – Commercial information and advice for consumers [consumer advice shop]; advertising; online advertising on a computer network; sales promotion for others; wholesale services for bitumen; auctioneering; demonstration of goods; import-export agencies; organization of exhibitions for commercial or advertising purposes.

39 – Commercial information and advice for consumers [consumer advice shop]; advertising; online advertising on a computer network; sales promotion for others; wholesale services for bitumen; auctioneering; demonstration of goods; import-export agencies; organization of exhibitions for commercial or advertising purposes.

(260) AM 2018 91909 A

(800) 1340996

(891) 2017 02 16

(731) ROSNEFT OIL COMPANY

Sofiyskaya nab., 26/1, RU-115035 Moscow,  
Russian Federation

(540)

(591) Black, yellow

(531) 26.03.04; 28.05; 29.01.12

(511)

35 – Commercial information and advice for consumers [consumer advice shop]; advertising; online advertising on a computer network; sales promotion for others; wholesale services for bitumen; auctioneering; demonstration of goods; import-export agencies; organization of exhibitions for commercial or advertising purposes.

39 – Hauling, including tanker truck transport; ferry-boat transport; barge transport; boat transport; railway transport; marine transport; river transport; portage; stevedoring; wrapping and storage of goods.

(260) AM 2018 91910 A

(800) 1340011

(891) 2016 06 24

(731) BLAGO COMPANY LLC

57, Vorovskogo street RU-352922 Armavir,  
Russian Federation

(540)

(591) Black and white

(511)

29 – Ajvar [preserved peppers]; aloe vera prepared for human consumption; alginates for culinary purposes; anchovy; peanuts, prepared; artichokes, preserved; albumen for culinary purposes; white of eggs; beans, preserved; soya beans, preserved, for

food; bouillon; ginger jam; ham; fatty substances for the manufacture of edible fats; toasted laver; peas, preserved; mushrooms, preserved; game, not live; gelatine; meat jellies; jellies for food; fruit jellies; yolk of eggs; coconut fat; bone oil, edible; lard; suet for food; edible fats; fruit-based snack food; charcuterie; raisins; caviar; eggplant paste; vegetable marrow paste; fish roe, prepared; yogurt; sauerkraut; kephir [milk beverage]; kimchi [fermented vegetable dish]; isinglass for food; clams, not live; milk shakes; black pudding [blood sausage]; compotes; meat, tinned [canned (Am.)]; vegetables, tinned [canned (Am.)]; fish, tinned [canned (Am.)]; fruits, tinned [canned (Am.)]; bouillon concentrates; gherkins; shrimps, not live; prawns, not live; buttercream; croquettes; kumys [kumyss] [milk beverage]; spiny lobsters, not live; lecithin for culinary purposes; salmon, not live; onions, preserved; margarine; piccalilli; marmalade; edible oils; peanut butter; cocoa butter for food; coconut oil; coconut butter; corn oil; sesame oil; linseed oil for culinary purposes; olive oil for food; palm oil for food; palm kernel oil for food; sunflower oil for food; sunflower-olive oil for food; colza oil for food; butter; shellfish, not live; almonds, ground; mussels, not live; milk; peanut milk for culinary purposes; milk of almonds for culinary purposes; rice milk [milk substitute]; condensed milk; soya milk [milk substitute]; albumin milk; fish meal for human consumption; vegetable mousses; fish mousses; fruit pulp; meat; meat, preserved; milk beverages, milk predominating; vegetables, preserved; vegetables, cooked; vegetables, dried; potato fritters; olives, preserved; lobsters, not live; coconut, desiccated; nuts, prepared; tomato purée; liver pâté; pectin for culinary purposes; liver; pickles; jams; semi-prepared packaged meals of poultry; semi-prepared packaged meals consisting primarily of meat, including cutlets, beefsteaks, rump steaks, meat balls, fricandels; semi-prepared packaged meals consisting primarily of fish, including cutlets, steaks, fricandels; powdered eggs; milk products; fish-based foodstuffs; curd; prostokvasha [soured milk]; poultry, not live; pollen prepared as foodstuff; cranberry sauce [compote]; apple purée; crayfish, not live; crustaceans, not live; fish, preserved; fish, not live; salted fish; ryazhenka [fermented baked milk]; vegetable salads; fruit salads; bacon; sardines, not live; pork; herrings, not live; seeds, prepared; sunflower seeds, prepared; whipped cream; cream [dairy products]; fat-containing mixtures for bread slices; frozen mixtures containing meat and vegetables; frozen vegetable mixtures; vegetable juices for cooking; smetana [sour cream]; tomato juice for cooking; salted meats; sausages; sausages in batter; preparations for making bouillon; preparations for making soup; dairy-based spreads; creamy vegetable spreads; vegetable fat spreads; tripe; soups; vegetable soup preparations; whey; cheese; tahini [sesame seed paste]; tofu; quark; cottage cheese mass; curd cheese



bars; sea-cucumbers, not live; truffles, preserved; tuna, not live; oysters, not live; milk ferments for culinary purposes; rennet; fish fillets; dates; crystallized fruits; frozen fruits; fruit, preserved; fruit preserved in alcohol; fruit, stewed; potato flakes; hummus [chickpea paste]; fruit peel; preserved garlic; lentils, preserved; potato chips; low-fat potato chips; fruit chips; non-alcoholic eggnog; seaweed extracts for food; meat extracts; eggs.

30 – Aromatic preparations for food; flavorings, other than essential oils, for cakes; flavorings, other than essential oils, for beverages; coffee flavorings; food flavorings, other than essential oils; star aniseed; cereal bars; high-protein cereal bars; pancakes; noodle-based prepared meals; buns; bread rolls; vanillin [vanilla substitute]; vanilla [food flavouring]; vareniki [stuffed dumplings]; waffles; vermicelli [noodles]; natural sweeteners; sausage binding materials; binding agents for ice cream [edible ices]; sea water for cooking; seaweed [condiment]; malt biscuits; cloves [spice]; cake frosting [icing]; glucose for culinary purposes; mustard; gluten additives for culinary purposes; yeast; thickening agents for cooking foodstuffs; leaven; rice-based snack food; cereal-based snack food; artificial coffee; vegetal preparations for use as coffee substitutes; dressings for salad; fruit jellies [confectionery]; candy decorations for cakes; confectionery for decorating Christmas trees; cakes; pastries; peanut confectionery; almond confectionery; pasta; ginger [spice]; frozen yogurt [confectionery ices]; cocoa; cream of tartar for culinary purposes; capers; caramels [candy]; curry [spice]; ketchup [sauce]; quiches; gluten prepared as foodstuff; sweetmeats [candy]; liquorice [confectionery]; peppermint sweets; cinnamon [spice]; coffee; unroasted coffee; starch for food; crackers; custard; hominy grits; semolina; oatmeal; crushed barley; groats for human food; corn, milled; corn, roasted; meat pies; turmeric; couscous [semolina]; noodles; ice for refreshment; candy; ice, natural or artificial; edible ices; rice cakes; mayonnaise; macarons [pastry]; macaroni; maltose; hominy; marinades; marzipan; honey; royal jelly; ice cream; bean meal; tapioca flour; potato flour; corn flour; nut flours; flour; wheat flour; soya flour; barley meal; dessert mousses [confectionery]; chocolate mousses; muesli; mint for confectionery; cocoa beverages with milk; coffee beverages with milk; coffee-based beverages; cocoa-based beverages; tea-based beverages; chocolate beverages with milk; chocolate-based beverages; infusions, not medicinal; crushed oats; husked oats; chocolate-coated nuts; nutmegs; stick liquorice [confectionery]; soya bean paste [condiment]; pastilles [confectionery]; molasses for food; pâtés en croûte; pelmeni [dumplings stuffed with meat]; pepper; allspice; peppers [seasonings]; pesto [sauce]; cookies; petit-beurre biscuits; pies; pizzas; meat gravies; fondants [confectionery]; popcorn; powders for making ice cream; baking powder; mus-

tard meal; pralines; condiments; meat tenderizers, for household purposes; cereal preparations; oat-based food; propolis; gingerbread; spices; petits fours [cakes]; puddings; rice pudding; cake powder; fruit coulis [sauces]; ravioli; chewing gum; relish [condiment]; rice; spring rolls; sago; sugar; palm sugar; aniseed; linseed for human consumption; golden syrup; confectionery; baking soda [bicarbonate of soda for cooking purposes]; pastry mixes; dry mixes for making ice-cream; malt for human consumption; salt for preserving foodstuffs; cooking salt; celery salt; sherbets [ices]; ham glaze; soya sauce; tomato sauce; pasta sauce; sauces [condiments]; spaghetti; seasonings; preparations for stiffening whipped cream; rusks; breadcrumbs; sushi; sandwiches; tabbouleh; tacos; tapioca; tarts; dough; pastry dough; almond paste; cake dough; tortillas; garden herbs, preserved [seasonings]; chocolate decorations for cakes; vinegar; beer vinegar; ferments for pastes; halvah; bread; unleavened bread; corn flakes; oat flakes; chips [cereal products]; flowers or leaves for use as tea substitutes; chicory [coffee substitute]; tea; iced tea; chutneys [condiments]; minced garlic [condiment]; cheeseburgers [sandwiches]; chowchow [condiment]; saffron [seasoning]; chocolate; malt extract for food; essences for foodstuffs, except etheric essences and essential oils; husked barley.

(260) AM 2018 91911 A

(800) 1341007

(891) 2016 05 25

(731) PREMIQAMED HOLDING GMBH

Heiligenstädter Straße 46-48, A-1190 Wien,  
Austria

(540)



**PremiQaMed  
Group**

(591) Grass-green

(531) 01.15.23; 27.05.10; 29.01.12

(511)

5 – Pharmaceuticals; sanitary preparations for medical purposes; dietetic substances adapted for medical use; plasters, materials for dressings; disinfectants.

10 – Surgical and medical instruments and apparatus, orthopaedic articles; testing apparatus for medical purposes.

35 – Advertising; business management; business administration; office functions; business management and organization consultancy, business management consultancy, personnel management consultancy, advisory services for business management, procurement services for others, professional business consultancy, planning of hospitals, sanatoriums, rehabilitation centres and convalescent homes with

regard to organisational and professional business matters; franchising, namely providing and dissemination of professional business know-how; business project management for construction projects.

36 – Financing services; development of usage concepts for hospitals, sanatoriums, rehabilitation centres and convalescent homes with regard to financial matters; brokerage of financial business investments, in particular concerning hospitals, sanatoriums, rehabilitation centres and convalescent homes; franchising, namely providing of financial know-how, financial analysis, financial consultancy.

37 – Maintenance, repair and cleaning services in the domestic sector (caretaker services); installation, maintenance and repair of computer hardware; operating disinfecting and sterilisation facilities.

42 – Scientific services and research, namely in the field of health care and medicine; scientific testing services, namely in the field of health care and medicine; medical research laboratory services, scientific laboratory services, updating of computer software; computer software consultancy, consultancy relating to the design of websites; design and creation of websites; design of computer software; services of an EDP programmer; electronic data backup; design and development of computer hardware and software; installation and maintenance of software; server administration; technical project management in the field of electronic data processing; rental of computer hardware and software; material testing and quality control; consultancy in the field of telecommunications engineering; technological consultancy; computer hardware and computer software consultancy; technical project planning of hospitals, sanatoriums, rehabilitation centres and convalescent homes.

43 – Services for providing food and drink; temporary accommodation; services for providing food and drinks in cafés, cafeterias, canteens, restaurants, snack bars, self-service restaurants and fast food restaurants; catering services.

44 – Medical services; hygienic and beauty care for human beings; cosmetic and plastic surgery; hospital services, medical services, medical clinic services and hospital services; medical nursing; sanatorium services, health center services, midwife services, chiropractic, dentistry services, beauty salon services, health counselling, in vitro fertilization services, nursing services, orthodontic services, physical therapy, plastic and aesthetic surgery, consultancy in the field of health care and medicine; medical and clinical examinations; medical care.

45 – Security services for the protection of property and individuals; night guard services; security consultancy, intellectual property consultancy, litigation services, licensing of intellectual property, mediati-

on, legal research, arbitration services, monitoring intellectual property rights for legal advisory purposes.

(260) AM 2018 91914 A

(800) 1340016

(891) 2016 12 02

(731) VALIO LTD

Meijeritie 6 FI-00370 Helsinki, Finland

(540)



(591) Yellow, brown, blue and white

(531) 05.03.13; 07.01.08; 26.07.05; 29.01.13

(511)

5 – Dietetic food preparations adapted for medical use; nutritional supplements; dietary supplements; dietary fiber; lactic acid bacteria and lactobacillus; food for babies; substitutes for mother's milk.

29 – Meat, fish, poultry and game; meat extracts; preserved, frozen, dried and cooked fruits and vegetables; jellies, jams, compotes; eggs; milk and milk products; cheese; cheese spreads; smetana [sour cream]; prostokvasha [soured milk]; whey; milk powders, dried whey products and whey powders, yogurt; yogurt drinks; drinks made from dairy products; drinking yogurts; whiteners [dairy] for beverages; double cream; milk ferments for culinary purposes; peanut milk for culinary purposes; beverages made from or containing milk; butter; dairy substitutes; oils and fats; lactic acid bacteria drinks; fruit purees, vegetable purees; soups; prepared meals and snacks containing any of the aforesaid goods.

30 – Coffee, tea, cocoa and artificial coffee; rice; tapioca and sago; flour and preparations made from cereals; bread, pastry and confectionery; ices; sugar, honey, treacle; yeast, baking-powder; salt; mustard; vinegar, sauces (condiments); spices; ice; cheese sauce; snacks made from cereals, honey, cocoa, chocolate or coffee; protein cereal bars and protein chocolate bars; hamburgers, pizzas, bread, porridge, gruel, drinks made from cocoa, coffee beverages with milk, frozen yoghurt.

32 – Mineral and aerated waters and other non-alcoholic drinks; preparations for making beverages; fruit drinks and fruit juices; syrups and other preparations for making beverages; smoothies; non-alcoholic beverages.

(260) AM 2018 91916 A

(800) 1185067

(891) 2016 11 30

(731) Aktsionernoe Obshchestvo

"NIZHEGORODSKY KHIMIKO-  
FARMATSEVTICHESKY ZAVOD"

Salganskaya St., 7, GSP-459, RU-603950

Nizhny Novgorod, Russian Federation

(540)

# ТРАНЕКСАМ

(591) Black, white

(531) 28.05

(511)

5 – Pharmaceutical tablets, capsules, injection solutions for prevention and treatment of hemorrhages caused by a general or local increase in fibrinolysis, hemophilia, bleeding complications caused by a fibrinolytic therapy, idiopathic thrombocytopenic purpura, aplastic anaemia, leukaemia, bleeding during operations and postoperative period, uterine (child-birth), pulmonary, nasal, gastrointestinal, menorrhagia and metrorrhagia, macrohematuria caused by a lower urinary tract bleeding, aphthous stomatitis, quinsy, laryngopharyngitis, hereditary angioedema, eczemas, allergic dermatitis, nettle rash, drug and toxic skin eruptions.

(260) AM 2018 91917 A

(800) 1340048

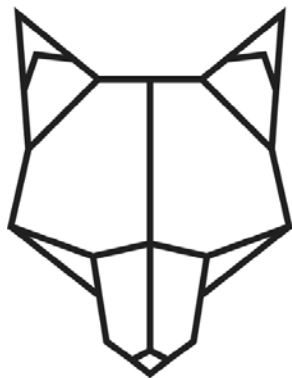
(891) 2016 12 23

(731) NAKED WOLFE FOOTWEAR PTY. LTD.

Level 1, 426 Mt Alexander Road Ascot Vale,

Victoria 3032, Australia

(540)



(591) Black and white

(531) 03.01.08; 03.01.16; 03.01.24

(511)

18 – Handbags; leather wallets; purses; pocket wallets; pouches (bags); travel goods (luggage); work bags; backpacks; casual bags; clutch bags; messenger bags; overnight bags; articles made from animal hides; articles made from animal skins; articles made from fur; articles made from imitation leather; articles made from leather; articles made from the skin of amphibians; articles made from the skin of birds; articles made from the skin of mammals; articles made from the skin of reptiles.

25 – Clothing; headwear; footwear; footwear for children; footwear for men; footwear for women; shoes; boots; slippers; sandals.

(260) AM 2018 91918 A

(800) 1213919

(891) 2016 12 19

(731) ARNOTT T&P HOLDING, LLC

100 Sea Ray Drive, Merritt Island FL 32953,

USA

(540)

# ARNOTT

(591) Black, white

(531) 27.05.01; 27.05.17

(511)

12 – Air suspension kits for rebuilding and repairing automobiles, motorcycles, trucks, sport utility vehicles (SUVs), golf carts and all terrain vehicles (ATVs) comprised of air suspension parts, namely, air suspension struts, air shock absorbers, air shock absorbing springs, inflation systems, namely, electric switch inflation systems comprised of air tanks, air lines, metric structural fittings for air lines, pressure switches, digital controllers, valve blocks, and air compressors and paddle switch inflation systems comprised of air lines, air compressors, air tanks, pressure switches, air gauges, pneumatic switches, manual inflation valves, and the strut replacement parts for automobiles, namely, air shock absorbers, electronic suspension struts, and solenoid resistors that emit a signal that can be received and understood by the computer system running the electronic suspension and that will prevent the computer from transmitting an error message for the non-electronic strut when a non-electronic suspension is installed in a car that originally had electronic struts or shocks.

(260) AM 2018 91919 A

(800) 1340061

(891) 2016 12 21

(731) PUBLIC JOINT STOCK COMPANY

GAZPROM NEFT

Galernaya Ul, 5, Lit A RU-190000

St-Petersburg, Russian Federation

(540)

(591) White, orange, grey

(531) 27.05.03; 27.05.17; 29.01.12

(511)

1 – Chemical products used in oil and gas industry; antifreeze; brake fluid; fluids for hydraulic circuits; power steering fluid; transmission fluid; anti-boil preparations for engine coolants; tempering and sol-

dering preparations; chemical substances for preserving foodstuffs; agar-agar; nitrogen; actinium; alkaloids; alginates for the food industry; alginates for industrial purposes; crotonic aldehyde; ammonium aldehyde; aldehydes; americium; amyl acetate; ammonia [volatile alkali] for industrial purposes; anhydrous ammonia; ammonia; acetic anhydride; anhydrides; anti-knock substances for internal combustion engines; disincrustants; antistatic preparations, other than for household purposes; argon; lead arsenate; astatine; aluminium acetate; lime acetate; lead acetate; acetate of cellulose, unprocessed; acetates [chemicals]; acetylene; acetone; oenological bactericides [chemical preparations for use in wine making]; balm of gurjun [gurjon, gurjan] for making varnish; barium; barytes; albumin [animal or vegetable, raw material]; animal albumen [raw material]; iodised albumen; malt albumen; bentonite; berkelium; bicarbonate of soda for chemical purposes; potassium dioxalate; bichromate of potassium; bichromate of soda; bauxite; bromine for chemical purposes; albumenized paper; baryta paper; diazo paper; blueprint paper; test paper, chemical; litmus paper; self-toning paper [photography]; nitrate paper; sensitized paper; photometric paper; borax; agglutinants for concrete; gas purifying preparations; polish removing substances; preparations for the separation of greases; substances for preventing runs in stockings; water-softening preparations; limestone hardening substances; tanning substances; adhesives for industrial purposes; surface-active chemical agents; foundry binding substances; concrete-aeration chemicals; leather-dressing chemicals; chemicals for the manufacture of paints; starch-liquifying chemicals [ungluing agents]; flower preservatives; seed preserving substances; viscose; bismuth; bismuth subnitrate for chemical purposes; witherite; distilled water; seawater for industrial purposes; acidulated water for recharging accumulators; heavy water; hydrogen; seaweeds [fertilizers]; gadolinium; getters [chemically active substances]; protective gases for welding; solidified gases for industrial purposes; basic gallate of bismuth; gallium; gambier; helium; electrophoresis gels, other than for medical or veterinary purposes; genes of seeds for agricultural production; aluminium hydrate; hydrates; hyposulfites; ceramic glazings; glycol; expanded clay for hydroponic plant growing [substrate]; kaolin; alumina; glycerides; glycerine for industrial purposes; glucose for the food industry; glucose for industrial purposes; glucosides; gluten for the food industry; gluten for industrial purposes; holmium; hormones for hastening the ripening of fruit; peat pots for horticulture; graphite for industrial purposes; guano; humus; dextrin [size]; detergents for use in manufacturing processes; defoliant; diastase for industrial purposes; manganese dioxide; titanium dioxide for industrial purposes; zirconia; oil dispersants; petroleum dispersants; dispersions of plastics; dysprosium;

bichloride of tin; detergent additives to gasoline [petrol]; ceramic compositions for sintering [granules and powders]; additives, chemical, to drilling muds; additives, chemical, to insecticides; chemical additives for oils; additives, chemical, to motor fuel; additives, chemical, to fungicides; dolomite for industrial purposes; tan-wood; europium; gelatine for photographic purposes; gelatine for industrial purposes; auxiliary fluids for use with abrasives; magnetic fluid for industrial purposes; tree cavity fillers [forestry]; glaziers' putty; moderating materials for nuclear reactors; diatomaceous earth; fuller's earth for use in the textile industry; lime chloride; isotopes for industrial purposes; ion exchangers [chemicals]; ytterbium; yttrium; iodine for industrial purposes; iodine for chemical purposes; aluminium iodide; alkaline iodides for industrial purposes; casein for the food industry; casein for industrial purposes; kainite; potassium; sorrel salt; californium; gum arabic for industrial purposes; tartar other than for pharmaceutical purposes; camphor, for industrial purposes; calcium carbide; carbide; lime carbonate; magnesium carbonate; carbonates; cement [metallurgy]; lutetium [cassiopium]; catalysts; biochemical catalysts; catechu; caustics for industrial purposes; alum; ammonia alum; aluminium alum; chrome alum; quebracho for industrial purposes; ketones; cinematographic films, sensitized but not exposed; oxygen; nitric acid; anthranilic acid; benzoic acid; boric acid for industrial purposes; tartaric acid; tungstic acid; gallic acid for the manufacture of ink; gallotannic acid; tannic acid; iodic acid; phenol for industrial purposes; citric acid for industrial purposes; lactic acid; formic acid; persulfuric acid; oleic acid; picric acid; pyrogallic acid; salicylic acid; sebacic acid; sulfuric acid; sulfurous acid; spirits of salt; stearic acid; carbonic acid; spirits of vinegar [dilute acetic acid]; phosphoric acid; hydrofluoric acid; cholic acid; chromic acid; oxalic acid; acids; benzene-based acids; fatty acids; mineral acids; arsenious acid; adhesives for billposting; leather glues; adhesives for wall tiles; adhesives for wallpaper; glue for industrial purposes; cement for mending broken articles; birdlime; isinglass other than for stationery, household or alimentary purposes; stem cells other than for medical or veterinary purposes; flocculants; collodion; compost; beer preserving agents; mangrove bark for industrial purposes; tan; starch for industrial purposes; silicon; creosote for chemical purposes; krypton; xenon; curium; lactose [raw material]; lactose for the food industry; lactose for industrial purposes; lanthanum; dry ice [carbon dioxide]; lecithin [raw material]; lecithin for the food industry; lecithin for industrial purposes; lithium; magnesite; manganate; oils for tanning leather; oils for currying leather; oils for preparing leather in the course of manufacture; oils for the preservation of food; carbolineum for the protection of plants; paper pulp; wood pulp; grafting mastic for trees; mastic for

leather; cement for pneumatic tires [tyres]; fillers for automobile bodies; oil cement [putty]; synthetic materials for absorbing oil; ceramic materials in particulate form, for use as filtering media; filtering materials [unprocessed plastics]; filtering materials [mineral substances]; filtering materials [vegetable substances]; filtering materials [chemical preparations]; blue vitriol; metalloids; alkaline-earth metals; alkaline metals; methane; methyl benzene; methyl benzol; flour for industrial purposes; tapioca flour for industrial purposes; potato flour for industrial purposes; soap [metallic] for industrial purposes; arsenic; bate for dressing skins; emollients for industrial purposes; sodium; hypochlorite of soda; naphthalene; sal ammoniac; toxic gas neutralizers; neodymium; neon; neptunium; uranium nitrate; nitrates; combusting preparations [chemical additives to motor fuel]; nitrous oxide; baryta; uranium oxide; oxalates; lithia [lithium oxide]; lead oxide; antimony oxide; chromium oxide; cobalt oxide for industrial purposes; mercuric oxide; gallnuts; purification preparations; wine finings; textile-brightening chemicals; beer-clarifying and preserving agents; must-finishing preparations; reducing agents for use in photography; bases [chemical preparations]; wax-bleaching chemicals; fat-bleaching chemicals; pectin for the food industry; pectin for industrial purposes; pectin [photography]; perborate of soda; humus top dressing; percarbonates; persulfates; perchlorates; foundry sand; plastisols; ferrotype plates [photography]; plasticizers; plastics, unprocessed; X-ray films, sensitized but not exposed; plutonium; polonium; potash; potash water; earth for growing; praseodymium; rubber preservatives; masonry preservatives, except paints and oils; brickwork preservatives, except paints and oils; cement preservatives, except paints and oils; preservatives for tiles, except paints and oils; bacterial preparations other than for medical and veterinary use; bacteriological preparations for acetification; bacteriological preparations other than for medical and veterinary use; biological preparations, other than for medical or veterinary purposes; vulcanising preparations; diagnostic preparations, other than for medical or veterinary purposes; renovating preparations for phonograph records; cement-waterproofing chemicals, except paints; currying preparations for leather; currying preparations for skins; metal hardening preparations; fixing baths [photography]; opacifiers for glass; opacifiers for enamel; separating and unsticking [ungluing] preparations; preparations for preventing the tarnishing of lenses; preparations for preventing the tarnishing of glass; plant growth regulating preparations; wallpaper removing preparations; fulling preparations for use in the textile industry; flashlight preparations; galvanizing preparations; finishing preparations for use in the manufacture of steel; sizing preparations; animal carbon preparations; meat tenderizers for industrial purposes; corrosive preparations; cryogenic

preparations; dehydrating preparations for industrial purposes; degreasing preparations for use in manufacturing processes; degumming preparations; oil-bleaching chemicals; bleaching preparations [decolorants] for industrial purposes; preparations for stimulating cooking for industrial purposes; anti-incrustants; preparations of trace elements for plants; moistening [wetting] preparations for use in the textile industry; moistening [wetting] preparations for use in dyeing; moistening [wetting] preparations for use in bleaching; enzyme preparations for the food industry; enzyme preparations for industrial purposes; filtering preparations for the beverages industry; vine disease preventing chemicals; chemical preparations to prevent mildew; chemical preparations for protection against wheat blight [smut]; chemical condensation preparations; chemical preparations for smoking meat; chemical substances for analyses in laboratories, other than for medical or veterinary purposes; chemical preparations for scientific purposes, other than for medical or veterinary use; chemical preparations for facilitating the alloying of metals; engine-decarbonising chemicals; fulling preparations; fuel-saving preparations; coal saving preparations; damp-proofing chemicals, except paints, for masonry; anti-sprouting preparations for vegetables; preparations of the distillation of wood alcohol; by-products of the processing of cereals for industrial purposes; benzene derivatives; cellulose derivatives [chemicals]; promethium; protactinium; protein [raw material]; mordants for metals; radium for scientific purposes; radon; solvents for varnishes; anti-frothing solutions for accumulators; drilling muds; solutions for cyanotyping; galvanizing baths; silver salt solutions for silvering; toning baths [photography]; chemical reagents, other than for medical or veterinary purposes; rhenium; mercury; rubidium; carbon black for industrial purposes; soot for industrial or agricultural purposes; lamp black for industrial purposes; samarium; saccharin; selenium; saltpeter; sulfur; silver nitrate; carbon disulfide; silicates; aluminium silicate; silicones; scandium; foundry molding [moulding] preparations; acrylic resins, unprocessed; artificial resins, unprocessed; synthetic resins, unprocessed; epoxy resins, unprocessed; soda ash; calcined soda; caustic soda for industrial purposes; barium compounds; fluorspar compounds; salts [fertilisers]; salts [chemical preparations]; ammoniacal salts; ammonium salts; salts of precious metals for industrial purposes; salts for galvanic cells; salt for preserving, other than for foodstuffs; salts for coloring [colouring] metal; salts for industrial purposes; iron salts; gold salts; iodised salts; calcium salts; salt, raw; salts from rare earth metals; mercury salts; toning salts [photography]; chrome salts; chromic salts; salts of alkaline metals; rock salt; mold-release compounds; fire extinguishing compositions; compositions for the manufacture of phonograph records; compositions for the

manufacture of technical ceramics; compositions for repairing inner tubes of tires [tyres]; compositions for repairing tires [tyres]; acid proof chemical compositions; glutinous tree-grafting preparations; adhesive preparations for surgical bandages; fireproofing preparations; compositions for threading; sauce for preparing tobacco; amyl alcohol; vinic alcohol; wood alcohol; sal ammoniac spirits; ethyl alcohol; alcohol; cement for footwear; concrete preservatives, except paints and oils; water glass [soluble glass]; strontium; substrates for soil-free growing [agriculture]; barium sulfate; sulfates; antimony sulfide; sulfides; benzoic sulfimide; sulfonic acids; sumac for use in tanning; superphosphates [fertilisers]; antimony; thallium; talc [magnesium silicate]; tannin; cream of tartar for the food industry; cream of tartar for industrial purposes; cream of tartar for chemical purposes; tellurium; terbium; tetrachlorides; carbon tetrachloride; acetylene tetrachloride; technetium; thiocarbanilide; titanite; biological tissue cultures other than for medical or veterinary purposes; sensitized cloth for photography; blueprint cloth; toluene; fuel for atomic piles; thorium; peat [fertiliser]; gum tragacanth for industrial purposes; thulium; carbonic hydrates; carbon; activated carbon; carbon for filters; animal charcoal; animal carbon; bone charcoal; blood charcoal; nitrogenous fertilisers; fertilizers; fish meal fertilizers; wood vinegar [pyroligneous acid]; uranium; chemical intensifiers for paper; chemical intensifiers for rubber; vulcanisation accelerators; enzymes for the food industry; enzymes for industrial purposes; ferments for chemical purposes; milk ferments for the food industry; milk ferments for industrial purposes; milk ferments for chemical purposes; fermium; ferrocyanides; fixing solutions [photography]; soldering fluxes; brazing fluxes; formic aldehyde for chemical purposes; phosphatides; phosphates [fertilisers]; phosphorus; photographic paper; photosensitive plates; sensitized photographic plates; sensitized films, unexposed; photographic developers; photographic sensitizers; chemical preparations for use in photography; photographic emulsions; francium; fluorine; chemicals for use in forestry, except fungicides, herbicides, insecticides and parasiticides; glass-frosting chemicals; leather-renovating chemicals; glass-staining chemicals; enamel-staining chemicals; oil-separating chemicals; water-purifying chemicals; oil-purifying chemicals; welding chemicals; condensation-preventing chemicals; stain-preventing chemicals for use on fabrics; anti-tarnishing chemicals for windows; leather-waterproofing chemicals; textile-waterproofing chemicals; chemicals, except pigments, for the manufacture of enamel; radiator flushing chemicals; leather-impregnating chemicals; textile-impregnating chemicals; horticultural chemicals, except fungicides, herbicides, insecticides and parasiticides; agricultural chemicals, except fungicides, herbicides, insecticides and parasiticides; soil conditioning preparations; chimney cleaners,

chemical; color- [colour-] brightening chemicals for industrial purposes; refrigerants; coolants for vehicle engines; chlorine; chlorates; hydrochlorates; aluminium chloride; magnesium chloride; chlorides; palladium chloride; chromates; flowers of sulfur for chemical purposes; caesium; cellulose; cerium; cyanides [prussiates]; calcium cyanamide [fertilizer]; cymene; loam; slag [fertilisers]; size for finishing and priming; alkalies; caustic alkali; radioactive elements for scientific purposes; fissionable chemical elements; emulsifiers; erbium; ethane; methyl ether; sulfuric ether; ethyl ether; glycol ether; ethers; esters; cellulose ethers for industrial purposes; cellulose esters for industrial purposes.

4 – Petrol; benzine; gasoline; producer gas; solidified gases [fuel]; oil-gas; fuel gas; gas for lighting; fuel; diesel oil; additives, non-chemical, to motor fuel; cutting fluids; industrial grease; lubricating oil; industrial oil; motor oil; lubricating grease; petroleum, raw or refined; biodiesel fuel; jet biofuel; dust absorbing compositions; anthracite; benzene; benzol; wood briquettes; combustible briquettes; petroleum jelly for industrial purposes; wax [raw material]; ozocerite [ozokerite]; illuminating wax; industrial wax; belting wax; carnauba wax; beeswax; firewood; paper spills for lighting; fish oil, not edible; illuminating grease; grease for leather; grease for footwear; tallow; kerosene; coke; xylene; xylol; lignin; wood spills for lighting; mazut; fuel oil; oils for paints; oils for releasing form work [building]; oil for the preservation of masonry; oil for the preservation of leather; textile oil; moistening oil; coal tar oil; coal naphtha; castor oil for industrial purposes; bone oil for industrial purposes; rape oil for industrial purposes; lubricants; naphtha; nightlights [candles]; oleine; paraffin; dust removing preparations; soya bean oil preparations for non-stick treatment of cooking utensils; non-slipping preparations for belts; coal dust [fuel]; firelighters; perfumed candles; Christmas tree candles; candles; grease for arms [weapons]; grease for belts; vaporized fuel mixtures; dust binding compositions for sweeping; dust laying compositions; alcohol [fuel]; methylated spirit; stearine; lighting fuel; mineral fuel; carburants; fuel with an alcoholic base; peat [fuel]; peat briquettes [fuel]; tinder; lignite; charcoal [fuel]; coal; coal briquettes; lamp wicks; wicks for candles; ceresine; electrical energy; ethanol [fuel]; petroleum ether; sunflower oil for industrial purposes.

(260) AM 2018 91922 A

(800) 1340062

(891) 2016 12 21

(731) PUBLIC JOINT STOCK COMPANY  
GAZPROM NEFT  
Galernaya Ul, 5, Lit A RU-190000  
St-Petersburg, Russian Federation

(540)



(591) Orange, white

(531) 27.05.21; 29.01.01

(511)

4 – Petrol; benzine; gasoline; producer gas; solidified gases [fuel]; oil-gas; fuel gas; gas for lighting; fuel; diesel oil; additives, non-chemical, to motor fuel; cutting fluids; industrial grease; lubricating oil; industrial oil; motor oil; lubricating grease; petroleum, raw or refined; biodiesel fuel; jet biofuel; dust absorbing compositions; anthracite; benzene; benzol; wood briquettes; combustible briquettes; petroleum jelly for industrial purposes; wax [raw material]; ozocerite [ozokerite]; illuminating wax; industrial wax; belting wax; carnauba wax; beeswax; firewood; paper spills for lighting; fish oil, not edible; illuminating grease; grease for leather; grease for footwear; tallow; kerosene; coke; xylene; xylol; ligroin; wood spills for lighting; mazut; fuel oil; oils for paints; oils for releasing form work [building]; oil for the preservation of masonry; oil for the preservation of leather; textile oil; moistening oil; coal tar oil; coal naphtha; castor oil for industrial purposes; bone oil for industrial purposes; rape oil for industrial purposes; lubricants; naphtha; nightlights [candles]; oleine; paraffin; dust removing preparations; soya bean oil preparations for non-stick treatment of cooking utensils; non-slipping preparations for belts; coal dust [fuel]; firelighters; perfumed candles; Christmas tree candles; candles; grease for arms [weapons]; grease for belts; vaporized fuel mixtures; dust binding compositions for sweeping; dust laying compositions; alcohol [fuel]; methylated spirit; stearine; lighting fuel; mineral fuel; carburants; fuel with an alcoholic base; peat [fuel]; peat briquettes [fuel]; tinder; lignite; charcoal [fuel]; coal; coal briquettes; lamp wicks; wicks for candles; ceresine; electrical energy; ethanol [fuel]; petroleum ether; sunflower oil for industrial purposes.

37 – Drilling of deep oil or gas-wells; drilling of wells; retreading of tires [tyres]; vulcanization of tires [tyres] [repair]; anti-rust treatment for vehicles; vehicle maintenance; vehicle polishing; motor vehicle maintenance and repair; construction; asphaltting; rebuilding engines that have been worn or partially destroyed; rebuilding machines that have been worn or partially destroyed; building sealing; linen ironing; pressing of clothing; disinfecting; rat exterminating; mining extraction; refilling of toner cartridges; knife sharpening; building insulating; repair information; construction information; bricklaying; ri-

veting; construction consultancy; varnishing; re-tinting; scaffolding; road paving; window cleaning; vehicle washing; building construction supervision; upholstery; renovation of clothing; rustproofing; sanding; pumicing; paper hanging; painting or repair of signs; cleaning of buildings [exterior surface]; vehicle breakdown repair services; rental of bulldozers; rental of road sweeping machines; rental of cleaning machines; rental of cranes [construction equipment]; rental of construction equipment; rental of excavators; plumbing; masonry; roofing services; painting, interior and exterior; carpentry services; underwater repair; plastering; quarrying services; repair of security locks; umbrella repair; parasol repair; burner maintenance and repair; film projector repair and maintenance; airplane maintenance and repair; safe maintenance and repair; clock and watch repair; pump repair; upholstery repair; shoe repair; clothing repair; photographic apparatus repair; furniture restoration; restoration of musical instruments; restoration of works of art; vehicle lubrication [greasing]; demolition of buildings; warehouse construction and repair; vehicle service stations [refuelling and maintenance]; washing; washing of linen; pipeline construction and maintenance; pier breakwater building; underwater construction; harbour construction; factory construction; building of fair stalls and shops; shipbuilding; cleaning of buildings [interior]; street cleaning; vermin exterminating, other than for agriculture; artificial snow-making services; laundering; installation of doors and windows; irrigation devices installation and repair; elevator installation and repair; heating equipment installation and repair; burglar alarm installation and repair; furnace installation and repair; telephone installation and repair; air conditioning apparatus installation and repair; fire alarm installation and repair; freezing equipment installation and repair; electric appliance installation and repair; kitchen equipment installation; installation, maintenance and repair of computer hardware; machinery installation, maintenance and repair; office machines and equipment installation, maintenance and repair; interference suppression in electrical apparatus; swimming-pool maintenance; furniture maintenance; chimney sweeping; boiler cleaning and repair; cleaning of clothing; dry cleaning; vehicle cleaning; diaper cleaning; leather care, cleaning and repair; fur care, cleaning and repair.

(260) AM 2018 91923 A

(800) 1340068

(891) 2016 11 11

(731) ASSOCIATION CRAFT DEPOT

Khorochevskoe chosse , d. 32A RU-123007  
Moscou, Russian Federation

(540)

# CRAFTDEPOT

(591) Black and white  
 (531) 27.05.05  
 (511)  
 32 – Beers; de-alcoholized beer; beer-based beverages.

(260) AM 2018 91925 A  
 (800) 1340128  
 (891) 2017 01 11  
 (731) INTEL CORPORATION  
 2200 Mission College Boulevard Santa  
 Clara CA 95052, USA

(540)  
**INTEL NERVANA**

(591) Black and white  
 (511)  
 9 – Computer hardware; computer hardware for use in machine learning, learning algorithms and data analysis; computer hardware for a variable number representation system; computer software for a variable number representation system; computer software for machine learning and data analysis; software for use in designing and developing machine learning algorithms, deep neural networks, data analysis; software libraries for use in designing and developing machine learning algorithms and deep neural networks; software libraries for use in data analysis; design libraries, namely, downloadable electronic data files for use in integrated circuit and semiconductor design; field programmable gate arrays known as fpga in the nature of integrated circuits and micro controllers; integrated circuits; semiconductors; microprocessors; computer chipsets; gpus; computer graphic chipsets.

42 – Cloud computing featuring software for use in machine learning, scalable machine learning, data analysis and developing deep neural networks; providing virtual computer systems, graphics processing units (GPUs) and virtual computer environments through cloud computing featuring platforms as a service featuring computer software platforms for use in machine learning, scalable machine learning, data analysis and developing deep neural networks.

(260) AM 2018 91927 A  
 (800) 1340130  
 (891) 2016 11 17  
 (731) PAVLOVA ELENA VLADIMIROVNA  
 Mozhayskoe shosse, d. 24, kv. 51 RU-121471  
 Moscow, Russian Federation

(540)



(591) Red, yellow, lilac, white and black  
 (531) 01.15.03; 21.03.01; 26.04.24; 27.05.24;  
 29.01.15  
 (511)  
 9 – Accumulators, electric; accumulators, electric, for vehicles; galvanic batteries; batteries, electric; accumulator boxes; plates for batteries; chargers for electric batteries.

(260) AM 2018 91928 A  
 (800) 1340134  
 (891) 2016 12 21  
 (731) PUBLIC JOINT STOCK COMPANY  
 GAZPROM NEFT  
 Galernaya Ul, 5, Lit A RU-190000  
 St-Petersburg, Russian Federation

(540)



(591) Grey, yellow, black, orange, beige  
 (531) 26.11.12; 27.05.04; 27.05.24  
 (511)  
 4 – Petrol; benzine; gasoline; producer gas; solidified gases [fuel]; oil-gas; fuel gas; gas for lighting; fuel; diesel oil; additives, non-chemical, to motor fuel; cutting fluids; industrial grease; lubricating oil; industrial oil; motor oil; lubricating grease; petroleum, raw or refined; biodiesel fuel; jet biofuel; dust absorbing compositions; anthracite; benzene; benzol; wood briquettes; combustible briquettes; petroleum jelly for industrial purposes; wax [raw material]; ozocerite [ozokerite]; illuminating wax; industrial wax; belting wax; carnauba wax; beeswax; firewood; paper spills for lighting; fish oil, not edible; illuminating grease; grease for leather; grease for footwear; tallow; kerosene; coke; xylene; xylol; ligroin; wood spills for lighting; mazut; fuel oil; oils for paints; oils for releasing form work [building]; oil for the preservation of masonry; oil for the preservation of leather; textile oil; moistening oil; coal tar oil; coal naphtha; castor oil for industrial purposes; bone oil for industrial purposes; rape oil for industrial purposes; lubricants; naphtha; nightlights [candles]; oleine; paraffin; dust removing preparations; soya bean oil preparations for non-stick treatment of cooking utensils; non-slipping preparations for belts; coal dust [fuel]; firelighters; perfumed candles; Christmas tree candles; candles; grease for arms [weapons]; grease for belts; vaporized fuel mixtures; dust binding compositions for sweeping; dust laying compositions; alcohol [fuel]; methylated spirit; stearine; lighting fuel; mineral fuel; carburants; fuel with an alcoholic base; peat [fuel]; peat briquettes [fuel]; tinder; lignite; charcoal [fuel]; coal; coal briquettes; lamp wicks; wicks for candles; ceresine; electrical



energy; ethanol [fuel]; petroleum ether; sunflower oil for industrial purposes.

37 – Drilling of deep oil or gas-wells; drilling of wells; retreading of tires [tyres]; vulcanization of tires [tyres] [repair]; anti-rust treatment for vehicles; vehicle maintenance; vehicle polishing; motor vehicle maintenance and repair; construction; asphaltting; rebuilding engines that have been worn or partially destroyed; rebuilding machines that have been worn or partially destroyed; building sealing; linen ironing; pressing of clothing; disinfecting; rat exterminating; mining extraction; refilling of toner cartridges; knife sharpening; building insulating; repair information; construction information; bricklaying; riveting; construction consultancy; varnishing; re-tinting; scaffolding; road paving; window cleaning; vehicle washing; building construction supervision; upholstery; renovation of clothing; rustproofing; sanding; pumicing; paper hanging; painting or repair of signs; cleaning of buildings [exterior surface]; vehicle breakdown repair services; rental of bulldozers; rental of road sweeping machines; rental of cleaning machines; rental of cranes [construction equipment]; rental of construction equipment; rental of excavators; plumbing; masonry; roofing services; painting, interior and exterior; carpentry services; underwater repair; plastering; quarrying services; repair of security locks; umbrella repair; parasol repair; burner maintenance and repair; film projector repair and maintenance; airplane maintenance and repair; safe maintenance and repair; clock and watch repair; pump repair; upholstery repair; shoe repair; clothing repair; photographic apparatus repair; furniture restoration; restoration of musical instruments; restoration of works of art; vehicle lubrication [greasing]; demolition of buildings; warehouse construction and repair; vehicle service stations [refuelling and maintenance]; washing; washing of linen; pipeline construction and maintenance; pier breakwater building; underwater construction; harbour construction; factory construction; building of fair stalls and shops; shipbuilding; cleaning of buildings [interior]; street cleaning; vermin exterminating, other than for agriculture; artificial snow-making services; laundering; installation of doors and windows; irrigation devices installation and repair; elevator installation and repair; heating equipment installation and repair; burglar alarm installation and repair; furnace installation and repair; telephone installation and repair; air conditioning apparatus installation and repair; fire alarm installation and repair; freezing equipment installation and repair; electric appliance installation and repair; kitchen equipment installation; installation, maintenance and repair of computer hardware; machinery installation, maintenance and repair; office machines and equipment installation, maintenance and repair; interference suppression in electrical apparatus; swimming-pool maintenance; furniture maintenance; chimney sweeping; boiler cleaning and

repair; cleaning of clothing; dry cleaning; vehicle cleaning; diaper cleaning; leather care, cleaning and repair; fur care, cleaning and repair.

(260) AM 2018 91931 A

(800) 1340138

(891) 2016 12 21

(731) PUBLIC JOINT STOCK COMPANY

GAZPROM NEFT

Galernaya Ul, 5, Lit A RU-190000

St-Petersburg, Russian Federation

(540)



(591) Orange, yellow, beige

(531) 25.07.20; 25.07.25; 26.11.12; 29.01.01

(511)

4 – Petrol; benzine; gasoline; producer gas; solidified gases [fuel]; oil-gas; fuel gas; gas for lighting; fuel; diesel oil; additives, non-chemical, to motor fuel; cutting fluids; industrial grease; lubricating oil; industrial oil; motor oil; lubricating grease; petroleum, raw or refined; biodiesel fuel; jet biofuel; dust absorbing compositions; anthracite; benzene; benzol; wood briquettes; combustible briquettes; petroleum jelly for industrial purposes; wax [raw material]; ozocerite [ozokerite]; illuminating wax; industrial wax; belting wax; carnauba wax; beeswax; firewood; paper spills for lighting; fish oil, not edible; illuminating grease; grease for leather; grease for footwear; tallow; kerosene; coke; xylene; xylol; lignoin; wood spills for lighting; mazut; fuel oil; oils for paints; oils for releasing form work [building]; oil for the preservation of masonry; oil for the preservation of leather; textile oil; moistening oil; coal tar oil; coal naphtha; castor oil for industrial purposes; bone oil for industrial purposes; rape oil for industrial purposes; lubricants; naphtha; nightlights [candles]; oleine; paraffin; dust removing preparations; soya bean oil preparations for non-stick treatment of cooking utensils; non-slipping preparations for belts; coal dust [fuel]; firelighters; perfumed candles; Christmas tree candles; candles; grease for arms [weapons]; grease for belts; vaporized fuel mixtures; dust binding compositions for sweeping; dust laying compositions; alcohol [fuel]; methylated spirit; stearine; lighting fuel; mineral fuel; carburants; fuel with an alcoholic base; peat [fuel]; peat briquettes [fuel]; tinder; lignite; charcoal [fuel]; coal; coal briquettes; lamp wicks; wicks for candles; ceresine; electrical energy; ethanol [fuel]; petroleum ether; sunflower oil for industrial purposes.

37 – Drilling of deep oil or gas-wells; drilling of wells; retreading of tires [tyres]; vulcanization of tires [tyres] [repair]; anti-rust treatment for vehicles; vehicle maintenance; vehicle polishing; motor vehicle maintenance and repair; construction; asphaltting; rebuilding engines that have been worn or partially destroyed; rebuilding machines that have been worn or partially destroyed; building sealing; linen ironing; pressing of clothing; disinfecting; rat exterminating; mining extraction; refilling of toner cartridges; knife sharpening; building insulating; repair information; construction information; bricklaying; riveting; construction consultancy; varnishing; re-tinting; scaffolding; road paving; window cleaning; vehicle washing; building construction supervision; upholstery; renovation of clothing; rustproofing; sanding; pumicing; paper hanging; painting or repair of signs; cleaning of buildings [exterior surface]; vehicle breakdown repair services; rental of bulldozers; rental of road sweeping machines; rental of cleaning machines; rental of cranes [construction equipment]; rental of construction equipment; rental of excavators; plumbing; masonry; roofing services; painting, interior and exterior; carpentry services; underwater repair; plastering; quarrying services; repair of security locks; umbrella repair; parasol repair; burner maintenance and repair; film projector repair and maintenance; airplane maintenance and repair; safe maintenance and repair; clock and watch repair; pump repair; upholstery repair; shoe repair; clothing repair; photographic apparatus repair; furniture restoration; restoration of musical instruments; restoration of works of art; vehicle lubrication [greasing]; demolition of buildings; warehouse construction and repair; vehicle service stations [refuelling and maintenance]; washing; washing of linen; pipeline construction and maintenance; pier breakwater building; underwater construction; harbour construction; factory construction; building of fair stalls and shops; shipbuilding; cleaning of buildings [interior]; street cleaning; vermin exterminating, other than for agriculture; artificial snow-making services; laundering; installation of doors and windows; irrigation devices installation and repair; elevator installation and repair; heating equipment installation and repair; burglar alarm installation and repair; furnace installation and repair; telephone installation and repair; air conditioning apparatus installation and repair; fire alarm installation and repair; freezing equipment installation and repair; electric appliance installation and repair; kitchen equipment installation; installation, maintenance and repair of computer hardware; machinery installation, maintenance and repair; office machines and equipment installation, maintenance and repair; interference suppression in electrical apparatus; swimming-pool maintenance; furniture maintenance; chimney sweeping; boiler cleaning and repair; cleaning of clothing; dry cleaning; vehicle

cleaning; diaper cleaning; leather care, cleaning and repair; fur care, cleaning and repair.

(260) AM 2018 91932 A

(800) 1277157

(891) 2017 03 30

(731) VALTARI GOLD CAPITAL LTD

Palm Grove House, P.O. Box 438, Road  
Town Tortola, Virgin Islands (British)

(540)



(591) Black, white

(531) 27.05.03

(511)

7 – Air filters for motors, air filters for auto mobile engines, air filters for engines, air filters being parts of engines, fuel filters, oil filters for engine lubrication systems, oil filters for engines, fuel pumps for motor vehicles, engine fuel pumps, water pumps for vehicles, transmission filters [parts of vehicle engines].

(260) AM 2018 91933 A

(800) 1340139

(891) 2016 12 21

(731) Limited Liability Company "GOSLOTO"

Volgogradsky prospect, 43 korpus 3,  
RU-109316 Moscow, Russian Federation

(540)



(591) Black and white

(531) 19.01.05; 19.01.06; 28.05

(511)

41 – Recreation information; entertainment information; organization of lotteries; providing recreation facilities; organization of balls; organization of exhibitions for cultural or educational purposes; organization of sports competitions; arranging and conducting of seminars, congresses, conferences and symposiums; providing amusement arcade services; gambling services; presentation of live entertainment events; presentation of live performances by a musical group; radio entertainment.

(260) AM 2018 91934 A  
 (800) 1301994  
 (891) 2017 01 17  
 (731) LASCARAY, S.A.  
 Portal de Arriaga, 78, E-01013 VITORIA  
 (Alava), Spain



(591) Black, white  
 (531) 27.05.17; 27.05.23  
 (511)  
 3 – Bath creams, gels and soaps; shaving foam, creams, gels and soaps; perfumery products, essential oils, cosmetics, hair lotions; dentifrices; deodorants for personal use; tissues impregnated with cosmetic lotions; baby wipes.

8 – Hand-operated hand tools and implements; razors, razor blades and depilatory razors, blades and devices.

(260) AM 2018 91943 A  
 (800) 1340237  
 (891) 2016 12 14  
 (731) Obshchestvo s ogranichennoy  
 otvetstvennostyu "INTER"  
 per. Vorotnikovskiy, d. 7, str. 3 RU-127006  
 gor. Moskva, Russian Federation



(591) Blue and gray  
 (531) 26.01.05; 26.11.12; 27.05.01; 27.05.07;  
 29.01.04  
 (511)  
 10 – Surgical, medical, dental apparatus and instruments.

(260) AM 2018 91944 A  
 (800) 1340238  
 (891) 2016 12 14  
 (731) Obshchestvo s ogranichennoy  
 otvetstvennostyu "INTER"  
 per. Vorotnikovskiy, d. 7, str. 3 RU-127006  
 gor. Moskva, Russian Federation



(591) Blue and gray  
 (531) 26.11.12; 29.01.12  
 (511)  
 10 – Surgical, medical apparatus and instruments, namely, dental apparatus and instruments.

(260) AM 2018 91945 A  
 (800) 1340239  
 (891) 2016 12 14  
 (731) Obshchestvo s ogranichennoy  
 otvetstvennostyu "INTER"  
 per. Vorotnikovskiy, d. 7, str. 3 RU-127006  
 gor. Moskva, Russian Federation



(591) Blue and gray  
 (531) 26.11.13; 27.05.01; 29.01.12  
 (511)  
 10 – Surgical, medical apparatus and instruments, namely dental apparatus and instruments.

(260) AM 2018 91947 A  
 (800) 1340240  
 (891) 2016 12 14  
 (731) Obshchestvo s ogranichennoy  
 otvetstvennostyu "INTER"  
 per. Vorotnikovskiy, d. 7, str. 3 RU-127006  
 gor. Moskva, Russian Federation



(591) Blue and gray.  
 (531) 26.01.24; 26.11.03; 26.11.12; 27.05.01;  
 29.01.12  
 (511)  
 10 – Surgical, medical, dental apparatus and instruments.

(260) AM 2018 91948 A  
 (800) 1340334  
 (891) 2017 02 16  
 (731) DE SUTTER FRÈRES, SAS  
 3 rue de l'Ancienne Distillerie F-76730  
 Biville La Rivière, France



(591) Black, white  
 (531) 27.05.05  
 (511)  
 19 – Building materials, not of metal; Buildings (not of metal); building lumber.  
 20 – Furniture, mirrors, picture frames; racks; Boxes of wood or plastic.

(260) AM 2018 91949 A  
 (800) 1340342  
 (891) 2016 11 15  
 (731) APPLE INC.  
 1 Infinite Loop Cupertino CA 95014, USA  
 (540)



(591) White, aquamarine and turquoise.  
 (531) 24.15.13; 26.01.16; 26.01.24; 29.01.12  
 (511)  
 9 – Computer software used in connection with breathing exercises.

(260) AM 2018 91950 A  
 (800) 1340343  
 (891) 2016 11 19  
 (731) APPLE INC.  
 1 Infinite Loop Cupertino CA 95014, USA  
 (540)



(591) White, orange, gold, yellow.  
 (531) 07.01.09; 26.04.04; 26.04.16; 29.01.12  
 (511)  
 42 – Design and development of computer hardware and software; computer hardware and software consulting services; support and consultation services for developing computer systems, databases and applications; providing computer hardware or software information online.

(260) AM 2018 91952 A  
 (800) 1340345  
 (891) 2016 12 28  
 (731) Limited liability company "TOVARNOYE HOZYAYSTVO"  
 prospekt Lenina, 100/2, Marx RU-413092  
 Saratovskaya oblast', Russian Federation

(540)



(591) Red, dark red, rose, white.  
 (531) 01.15.09; 25.03.01; 26.13.25; 28.05; 29.01.12  
 (511)  
 29 – Sunflower oil for food.

(260) AM 2018 91954 A  
 (800) 1340359  
 (891) 2016 09 27  
 (731) CALDENA GRAŻYNA SMOLEŃSKA  
 ul. Nowoursynowska 172P PL-02-787  
 Warszawa, Poland  
 (540)

**AGRAVITA**

(591) Black, white  
 (511)  
 31 – Cattle food.

(260) AM 2018 91964 A  
 (800) 1340446  
 (891) 2016 02 22  
 (731) GUTTA WERKE GmbH Bau- und  
 Heimwerkerprodukte  
 Bahnhofstr. 51-57 77746 Schutterwald,  
 Germany  
 (540)

**guttagliss**

(591) Black, white  
 (511)  
 17 – Plates, foils, profiles, bars and pipes of plastic.  
 19 – Building and constructional material and construction elements of plastic.

(260) AM 2018 91965 A  
 (800) 1340475  
 (891) 2016 07 22  
 (731) LUO XUEFEI  
 No.25, Xialoudian Village, Choucheng Street,  
 Yiwu City Zhejiang, China  
 (540)

**MAC**

(591) Black, white  
 (531) 27.05.17; 27.05.23  
 (511)

11 – Blowtorch; electric hair dryer; hair dryer; gas lamps; lighters.

(260) AM 2018 91967 A

(800) 1340502

(891) 2016 09 02

(731) FUJIFILM Corporation

26-30, Nishiazabu 2-chome, Minato-ku

Tokyo 106-8620, Japan

(540)

**FUJIFILM**

(591) Black, white, zed

(531) 27.05.01; 27.05.08; 29.01.12

(511)

1 – Chemical preparations and substances for manufacturing pharmaceutical products; chemical additives for manufacturing medicines; chemicals for manufacturing cosmetics, skin cleansers and medicines; preservatives for pharmaceutical preparations; biochemicals for producing products for genetic pharmacology; genetic material (chemical substance) for producing products for genetic cell therapy (not medical or veterinary purposes); biotechnological material (chemical substance) for manufacturing pharmaceutical products (not medical or veterinary purposes).

5 – Medicines and pharmaceutical products; biotechnological products for medical use; biochemicals for medical use; genetic material (tissue) for genetic cell therapy; diapers; diaper covers; dietary supplements for humans; beverages for babies; dietary supplements for animals.

35 – Retail services or wholesale services for pharmaceutical, veterinary and sanitary preparations and medical supplies; retail services or wholesale services for dietary supplements for humans; retail services or wholesale services for cosmetics, toiletries, dentifrices, soaps and detergents; retail services or wholesale services for medical apparatus and instruments; retail services or wholesale services for printing machines and apparatus; retail services or wholesale services for cameras, camera lenses, lens mount adapters for cameras, camera flashes, camera cases, lens filters for cameras, blower brushes for cameras, tripods for cameras, camera straps, parts and fittings for cameras, and other photographic machines and apparatus; retail services or wholesale services for photographic supplies; retail services or wholesale services for digital cameras, cell phones, covers or cases for digital cameras, covers or cases for cell phones, digital camera straps, cell phone straps, digital photo frames, and other telecommunication machines and apparatus; retail services or wholesale services for personal digital assistants, smartphones, covers or cases for smartphones and

smartphone straps; retail services or wholesale services for computer programs; retail services or wholesale services for electronic machines and apparatus and their parts; retail services or wholesale services for paper and cardboard; retail services or wholesale services for pens, albums, mini photograph albums, photograph storage boxes, can containers for storing photographs, boxes for storing photographic films, can containers for storing photographic films, decoration stickers for cameras, decoration stickers for use on photographs, and other stationery; retail services or wholesale services for photographs and photograph stands; retail services or wholesale services for photo frames; online retail services or wholesale services for photographic machines and apparatus and photographic supplies; online retail services or wholesale services for telecommunication machines and apparatus, computer programs (including downloadable software) and electronic machines and apparatus and their parts; online retail services or wholesale services for paper and stationery; online retail services or wholesale services for photographs and photo stands; online retail services or wholesale services for photo frames; online retail services or wholesale services for cosmetics, toiletries, dentifrices, soaps and detergents; online retail services or wholesale services for dietary supplements for humans.

40 – Custom manufacture of pharmaceuticals; printing of photographic images taken by a camera, digital camera or camera cell-phone; printing of photographic digital images sent through the Internet communication, mobile telephone communication or other communication; printing services of photographic images on covers or cases for digital cameras, smartphones and cell phones; printing services of photographic images on T-shirts and other clothing and cups; photographic printing services for invitation cards, greeting cards, post cards, calendars, business cards, identification cards and members cards; other photographic printing services; photo panel printing services; other photo finishing services.

41 – Digital editing of still images; digital editing of video recordings; editing photographs sent from computers or cell phones; digital imaging services; creating albums or photo books for others; publication of books; organization, arranging and conducting of photo sessions and photo contests; photo exhibitions; providing facilities for photo exhibitions; educational and instruction services relating to creating photo albums and related knowledge; educational and instruction services relating to arts, crafts, sports or general knowledge; photography.

42 – Services of biotechnical, chemical and pharmacological laboratories, namely scientific and technological research relating to the production of chemicals and biotechnological products for use in pre-

paring pharmaceutical and veterinary preparations, as well as providing expert advice on the subject; carrying out early evaluations in the field of new medicines as part of scientific research; development of pharmaceutical preparations, medicines and medicaments; technological services, namely technological consultation and research in the pharmaceutical and health care industries; evaluation of pharmaceutical products as part of scientific analysis and research; research and development in the pharmaceutical field; scientific research, development and analysis relating to product development of pharmaceutical preparations and reagents, and consultancy relating thereto; advice regarding scientific research and analyses relating to medicines; development of new technologies in the biotechnology sector; information with regard to scientific research in the field of biochemistry and biotechnology; scientific research, including in the medical sector.

(260) AM 2018 91970 A

(800) 1340580

(891) 2017 01 19

(731) APPLE INC

1 Infinite Loop Cupertino CA 95014, USA

(540)

## PLANET OF THE APPS

(591) Black, white

(511)

41 – Entertainment services in the nature of development, creation, production, distribution, and post-production of television program; entertainment services, namely, an ongoing reality based television program provided through Internet transmission and streaming services; entertainment, namely a continuing reality based television program broadcast over internet websites and streaming services; entertainment, namely a continuing reality based program broadcast over television, radio, and internet websites; entertainment services in the nature of an ongoing reality based television program.

(260) AM 2018 91972 A

(800) 1340602

(891) 2017 02 24

(731) KRKA

tovarna zdravil, d.d., Novo mesto Šmarješka  
cesta 6 SI-8000 Novo mesto, Slovenia

(540)



(591) White, shades of blue and shades of red

(531) 01.13.01; 02.01.01; 02.01.23; 02.03.01;  
02.03.02; 02.03.23; 24.13.01; 29.01.14

(511)

5 – Pharmaceutical preparations and substances; medicated confectionery; medicated candy.

30 – Non-medicated confectionery.

(260) AM 2018 91974 A

(800) 1340691

(891) 2016 12 23

(731) DI VITA S.P.A.

Via Poirino, 13 I-10022 CARMAGNOLA  
(TO), Italy

(540)



(591) Black, white

(531) 05.07.02; 26.01.02; 26.01.15; 26.01.20;  
26.01.24; 27.05.24

(511)

29 – Olives, preserved; vegetables preserved in oil; pickled vegetables.

30 – Sauces; dressings for food.

(260) AM 2018 91975 A

(800) 1340695

(891) 2017 02 08

(731) MEDOLAGO HOLDINGS LIMITED

Arch. Makariou III, 2-4, Capital Center,  
9th Floor CY-1065 Nicosia, Cyprus

(540)

## OBEDBUFET

(591) Black, white

(531) 27.05.17

(511)

43 – Accommodation bureaux (hotels, boarding houses); rental of temporary accommodation; rental of meeting rooms; tourist homes; hotel reservations; boarding house bookings; temporary accommodation reservations; hotels; retirement homes; snack-bars; cafés; cafeterias; motels; boarding houses; boarding for animals; rental of cooking apparatus; rental of chairs, tables, table linen, glassware; rental of tents; rental of transportable buildings; rental of drinking water dispensers; restaurants; self-service restaurants; food sculpting; canteens; holiday camp services (lodging); bar services; providing campgro-

und facilities; food and drink catering; day-nurseries (crèches)

(260) AM 2018 91982 A

(800) 1341905

(891) 2016 11 03

(731) Obschestvo s ogranichennoy

otvetstvennostyu "GUSTUS"

M. Levshinsky per., 10, of. 3, pom. IV,

RU-119034 Moscow, Russian Federation

(540)

## Eat. Love. Drive.

(511)

16 – Paper, cardboard and goods made from these materials, not included in other classes; photographs; adhesives for stationery or household purposes; artists' materials; paint brushes; typewriters and office requisites (except furniture); instructional and teaching material (except apparatus); plastic materials for packaging (not included in other classes); printers' type; printing blocks; fountain pens; aquarelles; albums; almanacs; document laminators for office use; mimeograph apparatus and machines; atlases; posters; paper bows; table linen of paper; tickets; forms, printed; announcement cards [stationery]; note books; pads [stationery]; drawing pads; loose-leaf binders; wristbands for the retention of writing instruments; pamphlets; booklets; paper sheets [stationery]; waxed paper; paper for recording machines; paper for radiograms; electrocardiograph paper; drawer liners of paper, perfumed or not; wood pulp paper; carbon paper; copying paper [stationery]; parchment paper; writing paper; luminous paper; Xuan paper for Chinese painting and calligraphy; toilet paper; wrapping paper; filter paper; blotters; newsletters; rollers for typewriters; house painters' rollers; composing sticks; modelling wax, not for dental purposes; signboards of paper or cardboard; sewing patterns; newspapers; electrotypes; hectographs; modelling clay; polymer modelling clay; terrestrial globes; drawing sets; engravings; slate pencils; pencil leads; document holders [stationery]; pencil holders; chalk holders; page holders; holders for checkbooks [cheque books]; holders for stamps [seals]; diagrams; engraving plates; writing slates; blackboards; galley racks [printing]; drawing boards; advertisement boards of paper or cardboard; duplicators; punches [office requisites]; cream containers of paper; magazines [periodicals]; money clips; tags for index cards; pen clips; bookmarkers; etching needles; tracing needles for drawing purposes; periodicals; printed publications; paper shredders for office use; graphic representations; credit card imprinters, non-electric; graining combs; drawing instruments; calendars; tracing paper; tracing cloth; tracing patterns; gums [adhesives] for stationery or household purposes; lithographic stones; ink stones [ink reservoirs];

pencils; pencil lead holders; charcoal pencils; pictures; transfers [decalcomanias]; paintings [pictures], framed or unframed; wood pulp board [stationery]; hat boxes of cardboard; files [office requisites]; cards; index cards [stationery]; geographical maps; paper tapes and cards for the recordal of computer programmes; trading cards other than for games; perforated cards for Jacquard looms; catalogues; spools for inking ribbons; covers of paper for flower pots; paintbrushes; painters' brushes; writing brushes; typewriter keys; glue for stationery or household purposes; isinglass for stationery or household purposes; gluten [glue] for stationery or household purposes; starch paste [adhesive] for stationery or household purposes; books; manifolds [stationery]; comic books; drawing pins; cigar bands; envelopes [stationery]; cases for stamps [seals]; boxes of cardboard or paper; paint boxes [articles for use in school]; correcting fluids [office requisites]; stencils [stationery]; French curves; paper ribbons; typewriter ribbons; gummed tape [stationery]; adhesive bands for stationery or household purposes; correcting tapes [office requisites]; inking ribbons; inking ribbons for computer printers; adhesive tapes for stationery or household purposes; self-adhesive tapes for stationery or household purposes; drawing rulers; square rulers; flyers; absorbent sheets of paper or plastic for foodstuff packaging; humidity control sheets of paper or plastic for foodstuff packaging; viscose sheets for wrapping; sheets of reclaimed cellulose for wrapping; plastic bubble packs for wrapping or packaging; steel letters; type [numerals and letters]; lithographs; paint trays; architects' models; postage stamps; plastics for modelling; graphic prints; modelling materials; teaching materials [except apparatus]; sealing compounds for stationery purposes; adhesives [glues] for stationery or household purposes; stuffing of paper or cardboard; bookbinding material; packaging material made of starches; packing [cushioning, stuffing] materials of paper or cardboard; filtering materials [paper]; addressing machines; pencil sharpening machines, electric or non-electric; bookbinding apparatus and machines [office equipment]; typewriters, electric or non-electric; folders [stationery]; franking machines for office use; chalk for lithography; writing chalk; tailors' chalk; marking chalk; bags [envelopes, pouches] of paper or plastics, for packaging; garbage bags of paper or of plastics; painters' easels; hand-rests for painters; printing sets, portable [office requisites]; bibs of paper; stickers [stationery]; finger-stalls [office requisites]; writing cases [stationery]; cords for bookbinding; paper knives [cutters] [office requisites]; numbering apparatus; bottle envelopes of cardboard or paper; sealing wafers; covers [stationery]; passport holders; plastic cling film, extensible, for palletization; embroidery designs [patterns]; handwriting specimens for copying; oleographs; musical greeting cards; greeting cards; postcards; et-

chings; conical paper bags; bags for microwave cooking; palettes for painters; ink sticks; pantographs [drawing instruments]; folders for papers; papier mâché; pastels; modelling paste; pen cases; book-bindings; pen wipers; office perforators; pens [office requisites]; nibs of gold; nibs; steel pens; drawing pens; song books; seals [stamps]; sealing stamps; clipboards; address plates for addressing machines; handkerchiefs of paper; plastic film for wrapping; desk mats; letter trays; trays for sorting and counting money; coasters of paper; bookends; stamp stands; mats for beer glasses; stands for pens and pencils; photograph stands; obliterating stamps; inking pads; stamp pads; binding strips [bookbinding]; towels of paper; inking sheets for document reproducing machines; inking sheets for duplicators; bookbinding cloth; gummed cloth for stationery purposes; printers' blankets, not of textile; portraits; paperweights; writing cases [sets]; inkstands; writing materials; writing instruments; drawing materials; school supplies [stationery]; adhesive tape dispensers [office requisites]; hand labelling appliances; printed matter; lithographic works of art; prospectuses; printed timetables; ledgers [books]; printers' galleys; indexes; rubber erasers; elastic bands for offices; drawing T-squares; graphic reproductions; penholders; marking pens; tissues of paper for removing make-up; face towels of paper; table napkins of paper; place mats of paper; tablemats of paper; tablecloths of paper; paper clasps; document files [stationery]; scrapers [erasers] for offices; paper-clips; staples for offices; erasing products; biological samples for use in microscopy [teaching materials]; histological sections for teaching purposes; steatite [tailor's chalk]; writing board erasers; composing frames [printing]; sealing wax; arithmetical tables; placards of paper or cardboard; writing or drawing books; fabrics for bookbinding; stationery; pencil sharpeners, electric or non-electric; transparencies [stationery]; stencil plates; cardboard tubes; Indian inks; moisteners [office requisites]; moisteners for gummed surfaces [office requisites]; drawing squares; chart pointers, non-electronic; bottle wrappers of cardboard or paper; envelope sealing machines, for offices; sealing machines for offices; vignetting apparatus; apparatus for mounting photographs; stapling presses [office requisites]; manuals [handbooks]; figurines [statuettes] of papier mâché; paper coffee filters; flags of paper; silver paper; molds for modelling clays [artists' materials]; photo-engravings; photographs [printed]; stencil cases; canvas for painting; chromolithographs [chromos]; compasses for drawing; numbers [type]; watercolor [watercolour] saucers for artists; correcting ink [heliography]; ink; inkwells; blueprints; rosaries; stencils; erasing shields; balls for ball-point pens; cabinets for stationery [office requisites]; printing type; address stamps; stamps [seals]; shields [paper seals]; prints [engravings]; labels, not of textile.

21 – Household or kitchen utensils and containers; combs and sponges; brushes (except paint brushes); brush-making materials; articles for cleaning purposes; steelwool; unworked or semi-worked glass (except glass used in building); glassware, porcelain and earthenware not included in other classes; pressure cookers [autoclaves], non-electric; indoor aquaria; buckets; cookie jars; candle jars [holders]; china ornaments; dishes; paper plates; vegetable dishes; saucers; mugs; candy boxes; bottles; demijohns; busts of porcelain, ceramic, earthenware or glass; vases; epergnes; fruit cups; bird baths; baby baths, portable; plungers for clearing blocked drains; waffle irons, non-electric; coolers [ice pails]; mop wringer buckets; buckets made of woven fabrics; whisks, non-electric, for household purposes; cooking skewers of metal; towel rails and rings; hair for brushes; birdcages; funnels; carpet beaters [hand instruments]; signboards of porcelain or glass; candle extinguishers; flower pots; chamber pots; glue-pots; cruets; decanters; large-toothed combs for the hair; combs for animals; tea cosies; abrasive sponges for scrubbing the skin; make-up sponges; sponges for household purposes; toilet sponges; sponge holders; toothpick holders; soap holders; napkin holders; holders for flowers and plants [flower arranging]; shaving brush stands; toilet paper holders; soap dispensers; toilet paper dispensers; ironing boards; cutting boards for the kitchen; bread boards; washing boards; crushers for kitchen use, non-electric; strainers; smoke absorbers for household purposes; containers for household or kitchen use; kitchen containers; glass jars [carboys]; heat-insulated containers; heat-insulated containers for beverages; thermally insulated containers for food; glass flasks [containers]; frying pans; closures for pot lids; chamois leather for cleaning; toothpicks; ceramics for household purposes; majolica; works of art of porcelain, ceramic, earthenware or glass; brush goods; kitchen grinders, non-electric; cleaning instruments, hand-operated; cabarets [trays]; stew-pans; covers, not of paper, for flower pots; shaving brushes; make-up brushes; cages for household pets; baking mats; polishing leather; hot pots, not electrically heated; glass bulbs [receptacles]; boot trees [stretchers]; shoe trees [stretchers]; napkin rings; poultry rings; rings for birds; piggy banks; bread baskets, domestic; baskets for domestic use; waste paper baskets; feeding troughs; mangers for animals; lunch boxes; tea caddies; washtubs; earthenware saucepans; mess-tins; cauldrons; coffee percolators, non-electric; coffee-pots, non-electric; coffee grinders, hand-operated; fused silica [semi-worked product], other than for building; beer mugs; tankards; rat traps; pot lids; aquarium hoods; butter-dish covers; dish covers; cheese-dish covers; buttonhooks; pitchers; perfume burners; non-electric portable coldboxes; watering cans; fly traps; insect traps; mixing spoons [kitchen utensils]; basting spoons [cooking utensils]; pie servers; scoops [table-



ware]; spatulas [kitchen utensils]; butter dishes; material for brush-making; polishing materials for making shiny, except preparations, paper and stone; noodle machines, hand-operated; polishing apparatus and machines, for household purposes, non-electric; pepper mills, hand-operated; mills for domestic purposes, hand-operated; feather-dusters; brooms; isothermic bags; confectioners' decorating bags [pastry bags]; bowls [basins]; mosaics of glass, not for building; saucepan scourers of metal; soap boxes; mouse traps; cooking pot sets; nozzles for watering cans; spouts; nozzles for watering hose; fitted picnic baskets, including dishes; toilet cases; floss for dental purposes; fiberglass thread, not for textile use; cookie [biscuit] cutters; pastry cutters; sprinklers; syringes for watering flowers and plants; cotton waste for cleaning; wool waste for cleaning; cleaning tow; chopsticks; cocktail stirrers; food steamers, non-electric; pepper pots; oven mitts; gloves for household purposes; car washing mitts; polishing gloves; gardening gloves; plates to prevent milk boiling over; dripping pans; trays for domestic purposes; trays for domestic purposes, of paper; lazy susans; heaters for feeding bottles, non-electric; candelabra [candlesticks]; coasters, not of paper and other than table linen; grill supports; menu card holders; knife rests for the table; flat-iron stands; egg cups; abrasive pads for kitchen purposes; scouring pads; drinking troughs; powdered glass for decoration; pottery; pots; cooking pots; painted glassware; tableware, other than knives, forks and spoons; porcelain ware; earthenware; crystal [glassware]; cosmetic utensils; toilet utensils; trouser presses; tortilla presses, non-electric [kitchen utensils]; deodorising apparatus for personal use; cruet sets for oil and vinegar; tie presses; potholders; clothes-pegs; glass stoppers; powder compacts; perfume vaporizers; powder puffs; dusting apparatus, non-electric; electric combs; grills [cooking utensils]; sifters [household utensils]; drinking horns; shoe horns; candle rings; salad bowls; sugar bowls; beaters, non-electric; coffee services [tableware]; liqueur sets; services [dishes]; tea services [tableware]; sieves [household utensils]; cinder sifters [household utensils]; tea strainers; pipettes [wine-tasters]; siphon bottles for carbonated water; rolling pins, domestic; steel wool for cleaning; currycombs; blenders, non-electric, for household purposes; fruit presses, non-electric, for household purposes; drinking straws; salt cellars; drinking vessels; vessels of metal for making ices and iced drinks; refrigerating bottles; bulb basters; cups of paper or plastic; drinking glasses; glasses [receptacles]; statues of porcelain, ceramic, earthenware or glass; figurines [statuettes] of porcelain, ceramic, earthenware or glass; glass for vehicle windows [semi-finished product]; glass wool other than for insulation; fiberglass other than for insulation or textile use; vitreous silica fibers [fibres], not for textile use; plate glass [raw material];

opal glass; opaline glass; glass incorporating fine electrical conductors; enamelled glass, not for building; soup bowls; drying racks for laundry; basins [receptacles]; table plates; disposable table plates; graters for kitchen use; insulating flasks; indoor terrariums [plant cultivation]; indoor terrariums [vivariums]; cloth for washing floors; cloths for cleaning; dusting cloths [rags]; furniture dusters; litter boxes [trays] for pets; urns; aerosol dispensers, not for medical purposes; wax-polishing appliances, non-electric, for shoes; water apparatus for cleaning teeth and gums; electric devices for attracting and killing insects; watering devices; utensils for household purposes; cooking utensils, non-electric; strainers for household purposes; coffee filters, non-electric; flasks; hip flasks; drinking bottles for sports; cake molds [moulds]; ice cube molds [moulds]; cookery molds [moulds]; molds [kitchen utensils]; deep fryers, non-electric; comb cases; bread bins; fly swatters; teapots; kettles, non-electric; cups; garlic presses [kitchen utensils]; ironing board covers, shaped; tea infusers; glass bowls; mops; mop wringers; cocktail shakers; cosmetic spatulas; corkscrews, electric and non-electric; animal bristles [brushware]; pig bristles; brushes; dishwashing brushes; ski wax brushes; brushes for cleaning tanks and containers; lamp-glass brushes; horse brushes; scrubbing brushes; toothbrushes; toothbrushes, electric; basting brushes; carpet sweepers; brushes for footwear; tar-brushes, long handled; toilet brushes; electric brushes, except parts of machines; eyebrow brushes; nail brushes; nest eggs, artificial; boxes for dispensing paper towels; dustbins; window-boxes; boxes of glass.

29 – Meat, fish, poultry and game; meat extracts; preserved, frozen, dried and cooked fruits and vegetables; jellies, jams, compotes; eggs; milk and milk products; edible oils and fats; ajvar [preserved peppers]; aloe vera prepared for human consumption; alginates for culinary purposes; anchovy; peanuts, prepared; artichokes, preserved; albumen for culinary purposes; white of eggs; beans, preserved; soya beans, preserved, for food; bouillon; ginger jam; ham; fatty substances for the manufacture of edible fats; toasted laver; edible birds' nests; peas, preserved; mushrooms, preserved; gelatine; meat jellies; fruit jellies; yolk of eggs; coconut fat; bone oil, edible; lard; suet for food; fruit-based snack food; charcuterie; raisins; caviar; eggplant paste; vegetable marrow paste; fish roe, prepared; yogurt; sauerkraut; kephir [milk beverage]; isinglass for food; clams, not live; milk shakes; black pudding [blood sausage]; arrangements of processed fruit; compotes; meat, tinned [canned (Am.)]; vegetables, tinned [canned (Am.)]; fish, tinned [canned (Am.)]; fruits, tinned [canned (Am.)]; bouillon concentrates; gherkins; shrimps, not live; prawns, not live; buttercream; croquettes; silkworm chrysalis, for human consumption; kumys [kumyss] [milk beverage]; spiny lobsters, not

live; lecithin for culinary purposes; salmon, not live; onions, preserved; margarine; piccalilli; marmalade; peanut butter; cocoa butter for food; coconut oil; coconut butter; corn oil; sesame oil; linseed oil for culinary purposes; olive oil for food; palm oil for food; palm kernel oil for food; sunflower oil for food; colza oil for food; butter; shellfish, not live; almonds, ground; animal marrow for food; mussels, not live; peanut milk for culinary purposes; milk of almonds for culinary purposes; rice milk [milk substitute]; condensed milk; soya milk [milk substitute]; albumin milk; powdered milk; fish meal for human consumption; vegetable mousses; fish mousses; fruit pulp; meat, preserved; milk beverages, milk predominating; potato fritters; olives, preserved; lobsters, not live; flavored nuts; candied nuts; coconut, desiccated; nuts, prepared; tomato purée; liver pâté; pectin for culinary purposes; liver; pickles; jams; powdered eggs; fish-based foodstuffs; curd; prostokvasha [soured milk]; bulgogi [Korean beef dish]; pollen prepared as foodstuff; cranberry sauce [compote]; apple purée; crayfish, not live; crustaceans, not live; fish, preserved; salted fish; vegetable salads; fruit salads; bacon; sardines, not live; pork; herrings, not live; seeds, prepared; sunflower seeds, prepared; whipped cream; cream [dairy products]; fat-containing mixtures for bread slices; smetana [sour cream]; vegetable juices for cooking; tomato juice for cooking; salted meats; sausages; sausages in batter; preparations for making bouillon; preparations for making soup; tripe; soups; vegetable soup preparations; whey; cheese; tahini [sesame seed paste]; tofu; sea-cucumbers, not live; truffles, preserved; tuna, not live; oysters, not live; milk ferments for culinary purposes; rennet; fish fillets; dates; crystallized fruits; fruit preserved in alcohol; hazelnuts, prepared; potato flakes; hummus [chickpea paste]; fruit peel; preserved garlic; lentils, preserved; potato chips; low-fat potato chips; fruit chips; non-alcoholic eggnog; seaweed extracts for food; berries, preserved; snail eggs for consumption; yakitori.

30 – Coffee, tea, cocoa and artificial coffee; rice; tapioca and sago; flour and preparations made from cereals; bread, pastry and confectionery; ices; sugar, honey, treacle; yeast, baking-powder; salt; mustard; vinegar, sauces (condiments); spices; ice; aromatic preparations for food; vanilla flavorings for culinary purposes; flavorings, other than essential oils, for cakes; flavorings, other than essential oils, for beverages; coffee flavorings; food flavorings, other than essential oils; star aniseed; baozi [stuffed buns]; cereal bars; high-protein cereal bars; pancakes; noodle-based prepared meals; buns; bread rolls; edible rice paper; edible paper; burritos; vanillin [vanilla substitute]; vareniki [stuffed dumplings]; waffles; vermicelli [noodles]; natural sweeteners; sausage binding materials; binding agents for ice cream [edible ices]; sea water for cooking; seaweed [condiment]; malt biscuits; cloves [spice]; cake frosting [icing]; gluco-

se for culinary purposes; gluten additives for culinary purposes; thickening agents for cooking foodstuffs; leaven; rice-based snack food; cereal-based snack food; vegetal preparations for use as coffee substitutes; dressings for salad; fruit jellies [confectionery]; candy decorations for cakes; confectionery for decorating Christmas trees; cakes; pastries; peanut confectionery; almond confectionery; pasta; ginger [spice]; frozen yogurt [confectionery ices]; cream of tartar for culinary purposes; capers; caramels [candy]; curry [spice]; ketchup [sauce]; gimhap [Korean rice dish]; quiches; gluten prepared as foodstuff; sweetmeats [candy]; liquorice [confectionery]; peppermint sweets; cinnamon [spice]; unroasted coffee; starch for food; crackers; custard; hominy grits; semolina; oatmeal; crushed barley; groats for human food; corn, milled; corn, roasted; meat pies; turmeric; couscous [semolina]; noodles; ice for refreshment; candy; rice cakes; mayonnaise; macaroons [pastry]; macaroni; maltose; hominy; marinades; marzipan; royal jelly; ice cream; bean meal; tapioca flour; potato flour; corn flour; nut flours; flour; wheat flour; soya flour; barley meal; dessert mousses [confectionery]; chocolate mousses; muesli; mint for confectionery; cocoa beverages with milk; coffee beverages with milk; coffee-based beverages; cocoa-based beverages; tea-based beverages; chocolate beverages with milk; chocolate-based beverages; infusions, not medicinal; crushed oats; husked oats; okonomiyaki [Japanese savory pancakes]; chocolate-coated nuts; nutmegs; stick liquorice [confectionery]; soya bean paste [condiment]; pastilles [confectionery]; molasses for food; pâtés en croûte; pelmeni [dumplings stuffed with meat]; pepper; allspice; peppers [seasonings]; pesto [sauce]; cookies; petit-beurre biscuits; pies; pizzas; meat gravies; fondants [confectionery]; popcorn; powders for making ice cream; mustard meal; pralines; condiments; meat tenderizers, for household purposes; oat-based food; propolis; gingerbread; petits fours [cakes]; puddings; rice pudding; cake powder; fruit coulis [sauces]; ravioli; ramen [Japanese noodle-based dish]; chewing gum; relish [condiment]; wheat germ for human consumption; spring rolls; palm sugar; aniseed; linseed for human consumption; golden syrup; confectionery; batter mixes for okonomiyaki [Japanese savory pancakes]; baking soda [bicarbonate of soda for cooking purposes]; malt for human consumption; salt for preserving foodstuffs; cooking salt; celery salt; sherbets [ices]; ham glaze; soya sauce; tomato sauce; pasta sauce; sauces [condiments]; spaghetti; seasonings; preparations for stiffening whipped cream; rusks; breadcrumbs; sushi; sandwiches; tabbouleh; tacos; tarts; dough; pastry dough; almond paste; rice pulp for culinary purposes; cake dough; tortillas; garden herbs, preserved [seasonings]; chocolate decorations for cakes; beer vinegar; ferments for pastes; halvah; bread; unleavened bread; corn flakes; oat flakes; chips [cereal products]; flowers or

leaves for use as tea substitutes; jiaozi [stuffed dumplings]; chicory [coffee substitute]; iced tea; chutneys [condiments]; minced garlic [condiment]; cheeseburgers [sandwiches]; chow-chow [condiment]; saffron [seasoning]; chocolate; malt extract for food; essences for foodstuffs, except etheric essences and essential oils; husked barley.

35 – Advertising; business management; business administration; office functions; arranging subscriptions to telecommunication services for others; import-export agency services; commercial information agency services; advertising agency services; cost price analysis; rental of advertising space; business auditing; employment agency services; computerized file management; book-keeping; outsourced administrative management for companies; invoicing; demonstration of goods; transcription of communications [office functions]; opinion polling; market studies; business information; commercial information and advice for consumers [consumer advice shop]; business investigations; business research; marketing research; personnel recruitment; business management and organization consultancy; business organization consultancy; business management consultancy; personnel management consultancy; professional business consultancy; layout services for advertising purposes; marketing; business management of performing artists; business management of sports people; writing of résumés for others; scriptwriting for advertising purposes; news clipping services; updating and maintenance of data in computer databases; updating of advertising material; word processing; organization of exhibitions for commercial or advertising purposes; arranging newspaper subscriptions for others; organization of fashion shows for promotional purposes; organization of trade fairs for commercial or advertising purposes; shop window dressing; design of advertising materials; business appraisals; payroll preparation; data search in computer files for others; sponsorship search; business management assistance; commercial or industrial management assistance; commercial intermediation services; providing business information via a web site; provision of commercial and business contact information; provision of an on-line marketplace for buyers and sellers of goods and services; web indexing for commercial or advertising purposes; presentation of goods on communication media, for retail purposes; economic forecasting; auctioneering; retail or wholesale services for pharmaceutical, veterinary and sanitary preparations and medical supplies; sales promotion for others; production of advertising films; office machines and equipment rental; rental of advertising time on communication media; publicity material rental; rental of billboards [advertising boards]; rental of vending machines; rental of sales stands; rental of photocopying machines; publication of publicity texts; radio advertising; bill-posting; distribution of

samples; dissemination of advertising matter; direct mail advertising; writing of publicity texts; on-line advertising on a computer network; advertising by mail order; television advertising; document reproduction; compilation of information into computer databases; compilation of statistics; business inquiries; systemization of information into computer databases; advisory services for business management; negotiation and conclusion of commercial transactions for third parties; tax preparation; drawing up of statements of accounts; telemarketing services; psychological testing for the selection of personnel; business management of hotels; business management for freelance service providers; business project management services for construction projects; commercial administration of the licensing of the goods and services of others; business management of reimbursement programs for others; administration of consumer loyalty programs; administration of frequent flyer programs; administrative processing of purchase orders; public relations; modelling for advertising or sales promotion; typing; appointment reminder services [office functions]; web site traffic optimization; relocation services for businesses; tax filing services; search engine optimization for sales promotion; appointment scheduling services [office functions]; price comparison services; pay per click advertising; secretarial services; procurement services for others [purchasing goods and services for other businesses]; shorthand; outsourcing services [business assistance]; telephone answering for unavailable subscribers; photocopying services; business efficiency expert services.

43 – Services for providing food and drink; temporary accommodation; accommodation bureau services [hotels, boarding houses]; rental of temporary accommodation; rental of meeting rooms; tourist home services; hotel reservations; boarding house bookings; temporary accommodation reservations; hotel services; retirement home services; snack-bar services; café services; cafeteria services; motel services; boarding house services; boarding for animals; rental of cooking apparatus; rental of chairs, tables, table linen, glassware; rental of lighting apparatus; rental of tents; rental of transportable buildings; rental of drinking water dispensers; restaurant services; self-service restaurant services; food sculpting; canteen services; holiday camp services [lodging]; bar services; providing campground facilities; food and drink catering; day-nursery [crèche] services.

(260) AM 2018 91987 A

(800) 1341906

(891) 2016 11 03

(731) Obshchestvo s ogranichennoy  
otvetstvennostyu "GUSTUS"

M. Levshinsky per., 10, of. 3, pom. IV,  
RU-119034 Moscow, Russian Federation

(540)



(591) Grey, white and red

(531) 26.04.04; 26.04.18; 27.05.21; 29.01.13

(511)

16 – Paper, cardboard and goods made from these materials, not included in other classes; photographs; adhesives for stationery or household purposes; artists' materials; paint brushes; typewriters and office requisites (except furniture); instructional and teaching material (except apparatus); plastic materials for packaging (not included in other classes); printers' type; printing blocks; newspapers; electrotypes; fountain pens; aquarelles; albums; almanacs; document laminators for office use; mimeograph apparatus and machines; atlases; posters; paper bows; table linen of paper; tickets; forms, printed; announcement cards [stationery]; note books; pads [stationery]; drawing pads; loose-leaf binders; wristbands for the retention of writing instruments; pamphlets; booklets; paper sheets [stationery]; waxed paper; paper for recording machines; paper for radiograms; electrocardiograph paper; drawer liners of paper, perfumed or not; wood pulp paper; carbon paper; copying paper [stationery]; parchment paper; writing paper; luminous paper; Xuan paper for Chinese painting and calligraphy; toilet paper; wrapping paper; filter paper; blotters; newsletters; rollers for typewriters; house painters' rollers; composing sticks; modelling wax, not for dental purposes; signboards of paper or cardboard; sewing patterns; hectographs; modelling clay; polymer modelling clay; terrestrial globes; drawing sets; engravings; slate pencils; pencil leads; document holders [stationery]; pencil holders; chalk holders; page holders; holders for checkbooks [cheque books]; holders for stamps [seals]; diagrams; engraving plates; writing slates; blackboards; galley racks [printing]; drawing boards; advertisement boards of paper or cardboard; duplicators; punches [office requisites]; cream containers of paper; magazines [periodicals]; money clips; tags for index cards; pen clips; bookmarkers; etching needles; tracing needles for drawing purposes; periodicals; printed publications; paper shredders for office use; graphic representations; credit card imprinters, non-electric; graining combs; drawing instruments; calendars; tracing paper; tracing cloth; tracing patterns; gums [adhesives] for stationery or household purposes; lithographic stones; ink stones [ink reservoirs]; pencils; pencil lead holders; charcoal pencils; pictures; transfers [decalcomanias]; paintings [pictures], framed or unframed; wood pulp board [stationery]; hat boxes of cardboard; files [office requisites]; cards; index cards [stationery]; geographical maps; paper tapes and cards for the recordal of com-

puter programmes; trading cards other than for games; perforated cards for Jacquard looms; catalogues; spools for inking ribbons; covers of paper for flower pots; paintbrushes; painters' brushes; writing brushes; typewriter keys; glue for stationery or household purposes; isinglass for stationery or household purposes; gluten [glue] for stationery or household purposes; starch paste [adhesive] for stationery or household purposes; books; manifolds [stationery]; comic books; drawing pins; cigar bands; envelopes [stationery]; cases for stamps [seals]; boxes of cardboard or paper; paint boxes [articles for use in school]; correcting fluids [office requisites]; stencils [stationery]; French curves; paper ribbons; typewriter ribbons; gummed tape [stationery]; adhesive bands for stationery or household purposes; correcting tapes [office requisites]; inking ribbons; inking ribbons for computer printers; adhesive tapes for stationery or household purposes; self-adhesive tapes for stationery or household purposes; drawing rulers; square rulers; flyers; absorbent sheets of paper or plastic for foodstuff packaging; humidity control sheets of paper or plastic for foodstuff packaging; viscose sheets for wrapping; sheets of reclaimed cellulose for wrapping; plastic bubble packs for wrapping or packaging; steel letters; type [numerals and letters]; lithographs; paint trays; architects' models; postage stamps; plastics for modelling; graphic prints; modelling materials; teaching materials [except apparatus]; sealing compounds for stationery purposes; adhesives [glues] for stationery or household purposes; stuffing of paper or cardboard; bookbinding material; packaging material made of starches; packing [cushioning, stuffing] materials of paper or cardboard; filtering materials [paper]; addressing machines; pencil sharpening machines, electric or non-electric; bookbinding apparatus and machines [office equipment]; typewriters, electric or non-electric; folders [stationery]; franking machines for office use; chalk for lithography; writing chalk; tailors' chalk; marking chalk; bags [envelopes, pouches] of paper or plastics, for packaging; garbage bags of paper or of plastics; painters' easels; hand-rests for painters; printing sets, portable [office requisites]; bibs of paper; stickers [stationery]; finger-stalls [office requisites]; writing cases [stationery]; cords for bookbinding; paper knives [cutters] [office requisites]; numbering apparatus; bottle envelopes of cardboard or paper; sealing wafers; covers [stationery]; passport holders; plastic cling film, extensible, for palletization; embroidery designs [patterns]; handwriting specimens for copying; oleographs; musical greeting cards; greeting cards; postcards; etchings; conical paper bags; bags for microwave cooking; palettes for painters; ink sticks; pantographs [drawing instruments]; folders for papers; papier mâché; pastels; modelling paste; pen cases; bookbindings; pen wipers; office perforators; pens [office requisites]; nibs of gold;

nibs; steel pens; drawing pens; song books; seals [stamps]; sealing stamps; clipboards; address plates for addressing machines; handkerchiefs of paper; plastic film for wrapping; desk mats; letter trays; trays for sorting and counting money; coasters of paper; bookends; stamp stands; mats for beer glasses; stands for pens and pencils; photograph stands; obliterating stamps; inking pads; stamp pads; binding strips [bookbinding]; towels of paper; inking sheets for document reproducing machines; inking sheets for duplicators; bookbinding cloth; gummed cloth for stationery purposes; printers' blankets, not of textile; portraits; paperweights; writing cases [sets]; inkstands; writing materials; writing instruments; drawing materials; school supplies [stationery]; adhesive tape dispensers [office requisites]; hand labelling appliances; printed matter; lithographic works of art; prospectuses; printed timetables; ledgers [books]; printers' galleys; indexes; rubber erasers; elastic bands for offices; drawing T-squares; graphic reproductions; penholders; marking pens; tissues of paper for removing make-up; face towels of paper; table napkins of paper; place mats of paper; tablemats of paper; tablecloths of paper; paper clasps; document files [stationery]; scrapers [erasers] for offices; paper-clips; staples for offices; erasing products; biological samples for use in microscopy [teaching materials]; histological sections for teaching purposes; steatite [tailor's chalk]; writing board erasers; composing frames [printing]; sealing wax; arithmetical tables; placards of paper or cardboard; writing or drawing books; fabrics for bookbinding; stationery; pencil sharpeners, electric or non-electric; transparencies [stationery]; stencil plates; cardboard tubes; Indian inks; moisteners [office requisites]; moisteners for gummed surfaces [office requisites]; drawing squares; chart pointers, non-electronic; bottle wrappers of cardboard or paper; envelope sealing machines, for offices; sealing machines for offices; vignetting apparatus; apparatus for mounting photographs; stapling presses [office requisites]; manuals [handbooks]; figurines [statuettes] of papier mâché; paper coffee filters; flags of paper; silver paper; molds for modelling clays [artists' materials]; photo-engravings; photographs [printed]; stencil cases; canvas for painting; chromolithographs [chromos]; compasses for drawing; numbers [type]; watercolor [watercolour] saucers for artists; correcting ink [heliography]; ink; inkwells; blueprints; rosaries; stencils; erasing shields; balls for ball-point pens; cabinets for stationery [office requisites]; printing type; address stamps; stamps [seals]; shields [paper seals]; prints [engravings]; labels, not of textile.

21 – Household or kitchen utensils and containers; combs and sponges; brushes (except paint brushes); brush-making materials; articles for cleaning purposes; steelwool; unworked or semi-worked glass (except glass used in building); glassware, porcelain

and earthenware not included in other classes; pressure cookers [autoclaves], non-electric; indoor aquaria; buckets; cookie jars; candle jars [holders]; china ornaments; dishes; paper plates; vegetable dishes; saucers; mugs; candy boxes; bottles; demijohns; busts of porcelain, ceramic, earthenware or glass; vases; epergnes; fruit cups; bird baths; baby baths, portable; plungers for clearing blocked drains; waffle irons, non-electric; coolers [ice pails]; mop wringer buckets; buckets made of woven fabrics; whisks, non-electric, for household purposes; cooking skewers of metal; towel rails and rings; hair for brushes; birdcages; funnels; carpet beaters [hand instruments]; signboards of porcelain or glass; candle extinguishers; flower pots; chamber pots; glue-pots; cruets; decanters; large-toothed combs for the hair; combs for animals; tea cosies; abrasive sponges for scrubbing the skin; make-up sponges; sponges for household purposes; toilet sponges; sponge holders; toothpick holders; soap holders; napkin holders; holders for flowers and plants [flower arranging]; shaving brush stands; toilet paper holders; soap dispensers; toilet paper dispensers; ironing boards; cutting boards for the kitchen; bread boards; washing boards; crushers for kitchen use, non-electric; strainers; smoke absorbers for household purposes; containers for household or kitchen use; kitchen containers; glass jars [carboys]; heat-insulated containers; heat-insulated containers for beverages; thermally insulated containers for food; glass flasks [containers]; frying pans; closures for pot lids; chamois leather for cleaning; toothpicks; ceramics for household purposes; majolica; works of art of porcelain, ceramic, earthenware or glass; brush goods; kitchen grinders, non-electric; cleaning instruments, hand-operated; cabarets [trays]; stew-pans; covers, not of paper, for flower pots; shaving brushes; make-up brushes; cages for household pets; baking mats; polishing leather; hot pots, not electrically heated; glass bulbs [receptacles]; boot trees [stretchers]; shoe trees [stretchers]; napkin rings; poultry rings; rings for birds; piggy banks; bread baskets, domestic; baskets for domestic use; waste paper baskets; feeding troughs; mangers for animals; lunch boxes; tea caddies; washtubs; earthenware saucepans; mess-tins; cauldrons; coffee percolators, non-electric; coffee-pots, non-electric; coffee grinders, hand-operated; fused silica [semi-worked product], other than for building; beer mugs; tankards; rat traps; pot lids; aquarium hoods; butter-dish covers; dish covers; cheese-dish covers; buttonhooks; pitchers; perfume burners; non-electric portable coldboxes; watering cans; fly traps; insect traps; mixing spoons [kitchen utensils]; basting spoons [cooking utensils]; pie servers; scoops [tableware]; spatulas [kitchen utensils]; butter dishes; material for brush-making; polishing materials for making shiny, except preparations, paper and stone; noodle machines, hand-operated; polishing apparatus and machines, for household

purposes, non-electric; pepper mills, hand-operated; mills for domestic purposes, hand-operated; feather-dusters; brooms; isothermic bags; confectioners' decorating bags [pastry bags]; bowls [basins]; mosaics of glass, not for building; saucepan scourers of metal; soap boxes; mouse traps; cooking pot sets; nozzles for watering cans; spouts; nozzles for watering hose; fitted picnic baskets, including dishes; toilet cases; floss for dental purposes; fiberglass thread, not for textile use; cookie [biscuit] cutters; pastry cutters; sprinklers; syringes for watering flowers and plants; cotton waste for cleaning; wool waste for cleaning; cleaning tow; chopsticks; cocktail stirrers; food steamers, non-electric; pepper pots; oven mitts; gloves for household purposes; car washing mitts; polishing gloves; gardening gloves; plates to prevent milk boiling over; dripping pans; trays for domestic purposes; trays for domestic purposes, of paper; lazy susans; heaters for feeding bottles, non-electric; candelabra [candlesticks]; coasters, not of paper and other than table linen; grill supports; menu card holders; knife rests for the table; flat-iron stands; egg cups; abrasive pads for kitchen purposes; scouring pads; drinking troughs; powdered glass for decoration; pottery; pots; cooking pots; painted glassware; tableware, other than knives, forks and spoons; porcelain ware; earthenware; crystal [glassware]; cosmetic utensils; toilet utensils; trouser presses; tortilla presses, non-electric [kitchen utensils]; deodorising apparatus for personal use; cruet sets for oil and vinegar; tie presses; potholders; clothes-pegs; glass stoppers; powder compacts; perfume vaporizers; powder puffs; dusting apparatus, non-electric; electric combs; grills [cooking utensils]; sifters [household utensils]; drinking horns; shoe horns; candle rings; salad bowls; sugar bowls; beaters, non-electric; coffee services [tableware]; liqueur sets; services [dishes]; tea services [tableware]; sieves [household utensils]; cinder sifters [household utensils]; tea strainers; pipettes [wine-tasters]; siphon bottles for carbonated water; rolling pins, domestic; steel wool for cleaning; currycombs; blenders, non-electric, for household purposes; fruit presses, non-electric, for household purposes; drinking straws; salt cellars; drinking vessels; vessels of metal for making ices and iced drinks; refrigerating bottles; bulb basters; cups of paper or plastic; drinking glasses; glasses [receptacles]; statues of porcelain, ceramic, earthenware or glass; figurines [statuettes] of porcelain, ceramic, earthenware or glass; glass for vehicle windows [semi-finished product]; glass wool other than for insulation; fiberglass other than for insulation or textile use; vitreous silica fibers [fibres], not for textile use; plate glass [raw material]; opal glass; opaline glass; glass incorporating fine electrical conductors; enamelled glass, not for building; soup bowls; drying racks for laundry; basins [receptacles]; table plates; disposable table plates; graters for kitchen use; insulating flasks; indoor terrariums [plant culti-

vation]; indoor terrariums [vivariums]; cloth for washing floors; cloths for cleaning; dusting cloths [rags]; furniture dusters; litter boxes [trays] for pets; urns; aerosol dispensers, not for medical purposes; wax-polishing appliances, non-electric, for shoes; water apparatus for cleaning teeth and gums; electric devices for attracting and killing insects; watering devices; utensils for household purposes; cooking utensils, non-electric; strainers for household purposes; coffee filters, non-electric; flasks; hip flasks; drinking bottles for sports; cake molds [moulds]; ice cube molds [moulds]; cookery molds [moulds]; molds [kitchen utensils]; deep fryers, non-electric; comb cases; bread bins; fly swatters; teapots; kettles, non-electric; cups; garlic presses [kitchen utensils]; ironing board covers, shaped; tea infusers; glass bowls; mops; mop wringers; cocktail shakers; cosmetic spatulas; corkscrews, electric and non-electric; animal bristles [brushware]; pig bristles; brushes; dishwashing brushes; ski wax brushes; brushes for cleaning tanks and containers; lamp-glass brushes; horse brushes; scrubbing brushes; toothbrushes; toothbrushes, electric; basting brushes; carpet sweepers; brushes for footwear; tar-brushes, long handled; toilet brushes; electric brushes, except parts of machines; eyebrow brushes; nail brushes; nest eggs, artificial; boxes for dispensing paper towels; dustbins; window-boxes; boxes of glass.

29 – Meat, fish, poultry and game; meat extracts; preserved, frozen, dried and cooked fruits and vegetables; jellies, jams, compotes; eggs; milk and milk products; edible oils and fats; ajvar [preserved peppers]; aloe vera prepared for human consumption; alginates for culinary purposes; anchovy; peanuts, prepared; artichokes, preserved; albumen for culinary purposes; white of eggs; beans, preserved; soya beans, preserved, for food; bouillon; ginger jam; ham; fatty substances for the manufacture of edible fats; toasted laver; edible birds' nests; peas, preserved; mushrooms, preserved; gelatine; meat jellies; fruit jellies; yolk of eggs; coconut fat; bone oil, edible; lard; suet for food; fruit-based snack food; charcuterie; raisins; caviar; eggplant paste; vegetable marrow paste; fish roe, prepared; yogurt; sauerkraut; kephir [milk beverage]; isinglass for food; clams, not live; milk shakes; black pudding [blood sausage]; arrangements of processed fruit; compotes; meat, tinned [canned (Am.)]; vegetables, tinned [canned (Am.)]; fish, tinned [canned (Am.)]; fruits, tinned [canned (Am.)]; bouillon concentrates; gherkins; shrimps, not live; prawns, not live; buttercream; croquettes; silkworm chrysalis, for human consumption; kumys [kumyss] [milk beverage]; spiny lobsters, not live; lecithin for culinary purposes; salmon, not live; onions, preserved; margarine; piccalilli; marmalade; peanut butter; cocoa butter for food; coconut oil; coconut butter; corn oil; sesame oil; linseed oil for culinary purposes; olive oil for food; palm oil for food; palm kernel oil for food; sunflower oil for food; colza oil for food; butter; shellfish, not live;

almonds, ground; animal marrow for food; mussels, not live; peanut milk for culinary purposes; milk of almonds for culinary purposes; rice milk [milk substitute]; condensed milk; soya milk [milk substitute]; albumin milk; powdered milk; fish meal for human consumption; vegetable mousses; fish mousses; fruit pulp; meat, preserved; milk beverages, milk predominating; potato fritters; olives, preserved; lobsters, not live; flavored nuts; candied nuts; coconut, desiccated; nuts, prepared; tomato purée; liver pâté; pectin for culinary purposes; liver; pickles; jams; powdered eggs; fish-based foodstuffs; curd; prostokvasha [soured milk]; bulgogi [Korean beef dish]; pollen prepared as foodstuff; cranberry sauce [compote]; apple purée; crayfish, not live; crustaceans, not live; fish, preserved; salted fish; vegetable salads; fruit salads; bacon; sardines, not live; pork; herrings, not live; seeds, prepared; sunflower seeds, prepared; whipped cream; cream [dairy products]; fat-containing mixtures for bread slices; smetana [sour cream]; vegetable juices for cooking; tomato juice for cooking; salted meats; sausages; sausages in batter; preparations for making bouillon; preparations for making soup; tripe; soups; vegetable soup preparations; whey; cheese; tahini [sesame seed paste]; tofu; sea-cucumbers, not live; truffles, preserved; tuna, not live; oysters, not live; milk ferments for culinary purposes; rennet; fish fillets; dates; crystallized fruits; fruit preserved in alcohol; hazelnuts, prepared; potato flakes; hummus [chickpea paste]; fruit peel; preserved garlic; lentils, preserved; potato chips; low-fat potato chips; fruit chips; non-alcoholic eggnog; seaweed extracts for food; berries, preserved; snail eggs for consumption; yakitori.

30 – Coffee, tea, cocoa and artificial coffee; rice; tapioca and sago; flour and preparations made from cereals; bread, pastry and confectionery; ices; sugar, honey, treacle; yeast, baking-powder; salt; mustard; vinegar, sauces (condiments); spices; ice; aromatic preparations for food; vanilla flavorings for culinary purposes; flavorings, other than essential oils, for cakes; flavorings, other than essential oils, for beverages; coffee flavorings; food flavorings, other than essential oils; star aniseed; baozi [stuffed buns]; cereal bars; high-protein cereal bars; pancakes; noodle-based prepared meals; buns; bread rolls; edible rice paper; edible paper; burritos; vanillin [vanilla substitute]; vareniki [stuffed dumplings]; waffles; vermicelli [noodles]; natural sweeteners; sausage binding materials; binding agents for ice cream [edible ices]; sea water for cooking; seaweed [condiment]; malt biscuits; cloves [spice]; cake frosting [icing]; glucose for culinary purposes; gluten additives for culinary purposes; thickening agents for cooking foodstuffs; leaven; rice-based snack food; cereal-based snack food; vegetal preparations for use as coffee substitutes; dressings for salad; fruit jellies [confectionery]; candy decorations for cakes; confectionery for decorating Christmas trees; cakes; pastries; peanut confectionery; almond confectionery; pasta; gin-

ger [spice]; frozen yogurt [confectionery ices]; cream of tartar for culinary purposes; capers; caramels [candy]; curry [spice]; ketchup [sauce]; gimbap [Korean rice dish]; quiches; gluten prepared as foodstuff; sweetmeats [candy]; liquorice [confectionery]; peppermint sweets; cinnamon [spice]; unroasted coffee; starch for food; crackers; custard; hominy grits; semolina; oatmeal; crushed barley; groats for human food; corn, milled; corn, roasted; meat pies; turmeric; couscous [semolina]; noodles; ice for refreshment; candy; rice cakes; mayonnaise; macaroons [pastry]; macaroni; maltose; hominy; marinades; marzipan; royal jelly; ice cream; bean meal; tapioca flour; potato flour; corn flour; nut flours; flour; wheat flour; soya flour; barley meal; dessert mousses [confectionery]; chocolate mousses; muesli; mint for confectionery; cocoa beverages with milk; coffee beverages with milk; coffee-based beverages; cocoa-based beverages; tea-based beverages; chocolate beverages with milk; chocolate-based beverages; infusions, not medicinal; crushed oats; husked oats; okonomiyaki [Japanese savory pancakes]; chocolate-coated nuts; nutmegs; stick liquorice [confectionery]; soya bean paste [condiment]; pastilles [confectionery]; molasses for food; pâtés en croûte; pelmeni [dumplings stuffed with meat]; pepper; allspice; peppers [seasonings]; pesto [sauce]; cookies; petit-beurre biscuits; pies; pizzas; meat gravies; fondants [confectionery]; popcorn; powders for making ice cream; mustard meal; pralines; condiments; meat tenderizers, for household purposes; oat-based food; propolis; gingerbread; petits fours [cakes]; puddings; rice pudding; cake powder; fruit coulis [sauces]; ravioli; ramen [Japanese noodle-based dish]; chewing gum; relish [condiment]; wheat germ for human consumption; spring rolls; palm sugar; aniseed; linseed for human consumption; golden syrup; confectionery; batter mixes for okonomiyaki [Japanese savory pancakes]; baking soda [bicarbonate of soda for cooking purposes]; malt for human consumption; salt for preserving foodstuffs; cooking salt; celery salt; sherbets [ices]; ham glaze; soya sauce; tomato sauce; pasta sauce; sauces [condiments]; spaghetti; seasonings; preparations for stiffening whipped cream; rusks; breadcrumbs; sushi; sandwiches; tabbouleh; tacos; tarts; dough; pastry dough; almond paste; rice pulp for culinary purposes; cake dough; tortillas; garden herbs, preserved [seasonings]; chocolate decorations for cakes; beer vinegar; ferments for pastes; halvah; bread; unleavened bread; corn flakes; oat flakes; chips [cereal products]; flowers or leaves for use as tea substitutes; jiaozi [stuffed dumplings]; chicory [coffee substitute]; iced tea; chutneys [condiments]; minced garlic [condiment]; cheeseburgers [sandwiches]; chowchow [condiment]; saffron [seasoning]; chocolate; malt extract for food; essences for foodstuffs, except etheric essences and essential oils; husked barley.

35 – Advertising; business management; business administration; office functions; arranging subscriptions to telecommunication services for others; im-

port-export agency services; commercial information agency services; advertising agency services; cost price analysis; rental of advertising space; business auditing; employment agency services; computerized file management; book-keeping; outsourced administrative management for companies; invoicing; demonstration of goods; transcription of communications [office functions]; opinion polling; market studies; business information; commercial information and advice for consumers [consumer advice shop]; business investigations; business research; marketing research; personnel recruitment; business management and organization consultancy; business organization consultancy; business management consultancy; personnel management consultancy; professional business consultancy; layout services for advertising purposes; marketing; business management of performing artists; business management of sports people; writing of résumés for others; script-writing for advertising purposes; news clipping services; updating and maintenance of data in computer databases; updating of advertising material; word processing; organization of exhibitions for commercial or advertising purposes; arranging newspaper subscriptions for others; organization of fashion shows for promotional purposes; organization of trade fairs for commercial or advertising purposes; shop window dressing; design of advertising materials; business appraisals; payroll preparation; data search in computer files for others; sponsorship search; business management assistance; commercial or industrial management assistance; commercial intermediation services; providing business information via a web site; provision of commercial and business contact information; provision of an on-line marketplace for buyers and sellers of goods and services; web indexing for commercial or advertising purposes; presentation of goods on communication media, for retail purposes; economic forecasting; auctioneering; retail or wholesale services for pharmaceutical, veterinary and sanitary preparations and medical supplies; sales promotion for others; production of advertising films; office machines and equipment rental; rental of advertising time on communication media; publicity material rental; rental of billboards [advertising boards]; rental of vending machines; rental of sales stands; rental of photocopying machines; publication of publicity texts; radio advertising; bill-posting; distribution of samples; dissemination of advertising matter; direct mail advertising; writing of publicity texts; on-line advertising on a computer network; advertising by mail order; television advertising; document reproduction; compilation of information into computer databases; compilation of statistics; business inquiries; systemization of information into computer databases; advisory services for business management; negotiation and conclusion of commercial transactions for third parties; tax preparation; drawing up of sta-

tements of accounts; telemarketing services; psychological testing for the selection of personnel; business management of hotels; business management for freelance service providers; business project management services for construction projects; commercial administration of the licensing of the goods and services of others; business management of reimbursement programs for others; administration of consumer loyalty programs; administration of frequent flyer programs; administrative processing of purchase orders; public relations; modelling for advertising or sales promotion; typing; appointment reminder services [office functions]; web site traffic optimization; relocation services for businesses; tax filing services; search engine optimization for sales promotion; appointment scheduling services [office functions]; price comparison services; pay per click advertising; secretarial services; procurement services for others [purchasing goods and services for other businesses]; shorthand; outsourcing services [business assistance]; telephone answering for unavailable subscribers; photocopying services; business efficiency expert services.

43 – Services for providing food and drink; temporary accommodation; accommodation bureau services [hotels, boarding houses]; rental of temporary accommodation; rental of meeting rooms; tourist home services; hotel reservations; boarding house bookings; temporary accommodation reservations; hotel services; retirement home services; snack-bar services; café services; cafeteria services; motel services; boarding house services; boarding for animals; rental of cooking apparatus; rental of chairs, tables, table linen, glassware; rental of lighting apparatus; rental of tents; rental of transportable buildings; rental of drinking water dispensers; restaurant services; self-service restaurant services; food sculpting; canteen services; holiday camp services [lodging]; bar services; providing campground facilities; food and drink catering; day-nursery [crèche] services.

(260) AM 2018 9190 A  
 (800) 1341064  
 (891) 2017 02 23  
 (731) RUDOLF KOTSCHARJAN  
 Stein-Hardenberg-Straße 155 22045 Hamburg,  
 Germany

(540)



(591) Black and white  
 (531) 03.01.08; 03.01.16; 27.03.03



(511)

32 – Beers; mineral waters, aerated waters, table waters; non-alcoholic beverages; fruit juice and fruit drinks; lemonades; syrups and other preparations for making beverages; smoothies; energy drinks.

33 – Alcoholic drinks (except beers); alcoholic energy drinks.

(260) AM 2018 91991 A

(800) 1341070

(891) 2016 11 14

(731) Publichne aktsionerne tovarystvo  
"KHARKIVSKA BISKVITNA FABRYKA"  
vul. Lozivska, 8 Kharkiv 61017, Ukraine

(540)

# Щедрики

(591) Black and white

(531) 28.05

(511)

30 – Peanut confectionery; sponge cakes; cereal bars; high-protein cereal bars; farinaceous foods; pastries; waffles; biscuits; cookies; cake frosting [icing]; chocolate-coated nuts; custard; marshmallow; cocoa [confectionery]; caramels [candy]; lozenges [confectionery]; pastilles [confectionery]; confectionery; sugar confectionery; confectionery for decorating Christmas trees; liquorice [confectionery]; candy; marzipan; macaroons [pastry]; almond paste; almond confectionery; dessert mousses [confectionery]; chocolate mousses; mint for confectionery; peppermint sweets; stick liquorice [confectionery]; fondants [confectionery]; pralines; candy decorations for cakes; chocolate decorations for cakes; gingerbread; cake powder; rice cakes; malt biscuits; petit-beurre biscuits; cakes; petits fours [cakes]; cake batter; cake dough; pastry dough; crackers; tarts; fruit jellies [confectionery]; halvah; sweetmeats [candy]; chocolate.

(260) AM 2018 91993 A

(800) 1341084

(891) 2016 03 28

(731) HOBBYWING TECHNOLOGY CO., LTD.  
4/F, Plant 4, Yasen Industrial Plant Zone,  
8 Chengxin Road, Baolong Industrial Town,  
Longgang District, Shenzhen Guangdong  
Province, China

(540)



(591) Black and white

(531) 26.13.25; 27.05.01

(511)

9 – Electric wires and cables; integrated circuits; remote control apparatus; regulating apparatus, electric; electric speed regulators; electric speed controllers for use in connection with remote controlled model toys; electric brushless speed regulators for models.

12 – Remote control vehicles, other than toys; automobiles; bicycles; air vehicles; rotorcraft; aircraft; aeronautical apparatus, machines and appliances; boats; anti-theft alarms for vehicles; multiaxial space vehicles, other than toys.

28 – Material for model plane (term considered too vague by the International Bureau - rule 13(2)(b) of the Common Regulations); multiaxial space vehicles [model toys]; scale model kits [toys]; remote-controlled model boats [toys]; remote-controlled model planes [toys]; toys; scale model vehicles; radio-controlled toy vehicles.

(260) AM 2018 91994 A

(800) 1341085

(891) 2016 08 09

(731) ORIFLAME COSMETICS AG  
c/o Oriflame Global Management AG,  
Bleicheplatz 3 CH-8200 Schaffhausen,  
Switzerland

(540)

# ORIFLAME MY DESTINY

(591) Black and white

(511)

3 – Non-medicated preparations for the application to, conditioning and care of hair, scalp, skin and nails; soaps; perfumes; perfumery; eau de cologne; toilet waters; essential and herbal oils; cosmetics; make-up preparations; lipsticks; nail varnishes; nail varnish removers; non-medicated toilet preparations; hair lotions; hair sprays and hair gels; preparations for use in the bath or shower; bath and shower oils, gels, creams and foams; face and body masks; face and body scrubs; facial washes; skin cleansers and hydrators; skin toners; skin moisturizers; blemish creams and blemish gels; deodorants; antiperspirants; preparations for use before shaving and after shaving; shaving soaps; shaving creams; shaving gels; after-shave preparations; pre-shave preparations; talcum powders; toiletries; dentifrices; tooth-pastes.

(260) AM 2018 91998 A

(800) 1341160

(891) 2015 09 02

(731) GEA GROUP AKTIENGESELLSCHAFT

Peter-Müller-Str. 12 40468 Düsseldorf,  
Germany

(540)

**GEA**

(591) Black and white

(511)

1 – Chemicals and fertilizers used in industry, science and photography, as well as in agriculture, horticulture and forestry; chemicals for use in the treatment and conditioning of water and liquid manure; emulsifiers; surface-active substances; refrigerants; grease dissolving preparations for use in industrial processes; reagents used for the quantitative determination of nitrogen and other elements in chemical substances; antibody reagents; reagents for use in polymerase chain reaction for DNA sequencing; chemical cleaning agents for use in industrial processes; chemical cleaning agents and germicides for use in the food processing industry, including the dairy industry; additives; acid and other detergents with germicide for clean-in-place (CIP) systems in the food processing industry, including the dairy industry; filtering media of artificial or natural substances, included in this class; unprocessed artificial resins; unprocessed plastics; fire extinguishing compositions; tempering and soldering preparations; chemical substances for preserving foodstuffs; tanning substances; adhesives used in industry.

3 – Cleaning, fragrancing, polishing, scouring and abrasive preparations (other than for office use); detergents; laundry preparations; toiletries; soaps; skin care preparations; cosmetics for livestock; cloths impregnated with a detergent for cleaning and care; cleaning agents for use in the processing industry, including the food processing industry.

4 – Industrial oils and greases; mineral and non-mineral oil for industrial purposes, namely for machinery; lubricants; lubricating oil; dust absorbing, dust wetting and dust binding compositions; fuels (including motor spirit) and illuminants; candles and wicks for lighting.

5 – Disinfectants and antiseptics; bactericides; disinfectants for cooling apparatus; disinfectants for the food processing industry, including the dairy industry; disinfectants for dairy animals, for milkers and for machines, devices and other equipment used in the dairy industry; teat disinfectants; disinfectant washes; disinfectants impregnated into tissues; medical and veterinary preparations and articles; veterinary products for the dairy industry; bacteriological preparations for medical or veterinary use; bacteria poisons; antiseptic sprays in aerosol form; mineral and dietary supplements for animal feed; iodine; medicated additives for animal foods; lotions for veterinary purposes; milking grease; pharmaceutical preparations; hygienic preparations and articles; pest

control preparations and articles; algacides; preparations in the form of liquids or powders for removing moss; fly combating preparations; lice destroying preparations; insect repellents; biocides; preparations for destroying vermin.

6 – Common metals and their alloys; metal building materials; transportable buildings of metal; materials of metal for railway tracks; non-electric cables and wires of common metal; ironmongery and small items of metal hardware; pipes and tubes of metal; unprocessed and semi-processed materials of metal, not specified for use; valves of metal (except for machine parts); expansion compensators and accessories thereof; pipes, tanks, rods, tubes of metal and fittings and accessories therefor; pipework, fittings and flanges of metal; fittings of metal for compressed air ducts; parts for animal stalls, milking parlor equipment, milk containers, vats, channels, tubs, gates, borders, doors, portals, barriers, grates, all mainly of metal, as well as fittings and accessories therefor; earmarks of metal for livestock; containers, and transportation and packaging articles, of metal; closures of metal for containers; containers of metal for compressed gas or liquid air; metal hardware; pipe jackets of metal; transfer tubes of metal.

7 – Machines and machine tools for treatment of materials and for manufacturing (other than for office use); motors and engines (except for land vehicles and other than for office use); machine coupling and transmission components (except for land vehicles); agricultural implements other than hand-operated; emulsifying machines and homogenizers (for chemical processing or food production); brewing machines; kneading machines; mixers (machines); drilling machines; electric knives; blade holders (parts of machines); knives (parts of machines); stropping machines; shaping and moulding machines (other than for office use); pressing machines; mills and crushing machines; rasps (machines); machines, mechanical apparatus, implements and parts thereof for the processing industry, in biotechnology, for use in the production and processing of drinking water, on oil rigs, in land and sea vehicles; machines, mechanical apparatus, implements and parts thereof for the industrial manufacturing and process technology, for the chemical, pharmaceutical, cosmetic, food and beverage industry, for agricultural and dairy purposes, for oil extracting and oil processing, for energy producing, waste water processing and for metal processing industries, for shipping, for drilling platforms and for use in cellars; machines for the production and processing of dry ice, cubed, crushed and flaked ice; motors, pumps and compressors for refrigerators and freezers; machines, mechanical apparatus and plants for the manufacturing of gases, chemical products, foodstuffs, including beverages; machines for dividing, clarifying, separating, mixing and conveying of liquid and/or solid mixtures and

substances; centrifugal mixers; powder mixers; reverse osmosis machines for increasing the concentration of dissolved substances in liquids, filtering machines, separators, decanters and centrifuges; cartridges for filtering machines; rotating brush sieves; cyclones as parts of machinery; oil separators; filters, sieves and membranes as parts of machines and for motors and engines; compressors and fans; pumps, in particular for beverages and other foodstuffs; blowing machines; pump diaphragms; suction machines for industrial purposes; electric machines and apparatus for cleaning and implements; steam cleaners; food and beverage processing and preparation equipment, namely butter machines, computer-operated and non-computer-operated machines and installations for the processing, further processing and packaging of foodstuffs, namely meat, poultry, fish, cheese, potatoes, vegetables and other vegetarian products, computer-operated and non-computer-operated machines and installations for the pre-processing, processing and packaging of foodstuffs, namely meat, poultry, fish, cheese, potatoes, vegetables and other vegetarian products, in particular knives, mills, mixers (machines), emulsifying machines, machines for sausage production, apparatus for the production, processing and portioning of flour, albumen and bread crumbs, as well as automatic machines for the storage and packaging of foodstuffs, vacuum packing machines and assembly lines and machinery apparatus and mechanical equipment for the production, processing and refining of foodstuffs, semiluxury food and beverages; cutting machines; food slicers; slicers (machines, electric); sausage making machines; labelling machines (other than for office use); printers (other than for office use); moving and handling equipment; agitators; lifting and hoisting equipment; handling machines, automatic (manipulators); palletisers; machines for lifting and accessories; bottle filling machines; bottle washing machines; bottle capping machines; conveyors; belt conveyors; loading machines; automatic loading systems; manure augers; vacuum packing machines; packaging machines; wrapping machines; foil wrapping machines; engines, powertrains and generic parts for machines; pressure regulators (parts of machines); heat exchangers being machine parts; crankcases for machines, motors and engines; hydraulic controls for machines, motors and engines; pneumatic controls for machines, motors and engines; pistons (parts of machines and engines); regulators (parts of machines); steam traps; control mechanisms for machines, engines or motors; valves (machine parts); connection fittings for machines; expansion compensators, namely machine parts for compensating thermal stress; cleaners (machine parts); machines for the energy and power plant industry; machines for the energy technology, included in this class; compressors for refrigerators; machines for agglomeration, granulation and lamination

(coating) of materials, including foodstuffs and pharmaceutical preparations, and plants composed of the aforementioned machines used for applying the fluid bed technology for commercial purposes; sealing machines for industrial purposes; filling machines; atomizers; machines using microwave technology for commercial purposes; machines for agricultural engineering purposes; environmental technology machines for commercial purposes; machines for industrial plant construction; machine tools; machines and installations composed thereof for applying the spraying technology and spray drying technology for commercial purposes; agricultural, earthmoving, construction, oil and gas extraction and mining equipment; agricultural equipment; electric machines for the processing of foodstuffs; fodder presses; rotary and linear milking parlor installations; semi-automatic and automatic milking machines; milking installations; component parts for milking machines; pumps and pulsators for the dairy industry; udder washing and spraying apparatus; automatic feeding machines; milking parlor equipment, namely manure scrapers; tractor-towed farm implements; waste management systems, processing systems and recovery systems for manure, slurry and other animal waste, namely pumps or scrapers for the transport of solid and liquid animal excretions as well as presses for the separation of undigested solid elements; mechanized livestock feeders; machines and machine-operated equipment for cleaning and disinfecting purposes for use in the processing industry, including the food processing industry, in particular the dairy industry, namely machines for the disinfection of teats and hooves; installations and components for processing and the disposal of manure and slurry for the generation of energy, namely pumps and conveyors; sweeping and cleaning machines; cleaning devices and machine-type cleaning apparatus, in particular chemical and/or mechanical cleaning apparatus and installations, in particular for the dairy industry, the brewing and beverage industry, the food industry, the chemical, pharmaceutical and cosmetics industry; stable cleaning machines; road rollers; robots (machines); condensing installations; vacuum machines and installations composed thereof; vacuum installations being parts of milking machines; bottling plants for the bottling of solid, pasty and liquid substances and of heterogeneous substance mixtures; pumps for the food processing industry, including milking machine pumps; extractors for milking clusters, namely apparatus for removing the milking equipment from the udder; machines for filtering waste milk for feeding calves; installations for thickening of suspensions by means of decantation or evaporation, plants and apparatus for applying the fluid bed technology for commercial and industrial purposes, plants and apparatus for applying the spray technology, namely spray-dryers and spray-granulators; installations for the collection of

liquids; machines and mechanical apparatus for the concentrating, dispersing, suspending, filtering, separating, agglomerating, extracting, fermenting, homogenizing, adding gas and aerating of solid, liquid and/or gaseous substances, including their intermediates and precursors of synthetic, plant or animal origin, in particular including milk, milk products, milk intermediates, cheese, cheese products, cheese intermediates, butter, butter products, butter intermediates, coffee, beer, juices, meat, fish products and nutritional supplements as well as products of the petrochemical, chemical and pharmaceutical industry and in particular of commercial or industrial waste, wastewater or exhaust gases.

9 – Regulating, checking (supervision), control, measuring and switching installations, apparatus and instruments (other than for office use); detecting and monitoring instruments, indicators and controllers; food analysis apparatus; quantity indicators; telemeters; diagnostic apparatus, not for medical purposes; transducers; flow meters; pressure gauges; refractometers; spectrometers; thermometers; remote controls; dosage dispensers; automatic liquid flow controls; control and regulating installations for managing and monitoring dairy herds; testing apparatus, not for medical purposes; alignment and calibrating instruments; vacuum gauges; scales; electronic measuring, control and checking (supervision) apparatus and instruments for climate monitoring and climate control; data processing and data collections installations and equipment; data output installations and equipment; data transmission installations and equipment; electrotechnical and electronic apparatus and equipment for process monitoring and process control, for the collection, processing and output of data; apparatus and equipment for the industrial and commercial measuring, monitoring and/or controlling technology; sensors and detectors; information technology and audiovisual equipment; scanners (other than for office use); luminescence scanners; electronically encoded identity devices; electronically encoded identity devices for livestock; communications equipment; transmitters; receivers; transponders; electric apparatus for commutation; X-ray apparatus, not for medical purposes; safety, security, protection and signalling devices; neck tags (electronic transmission and reception apparatus) and responders for livestock; protective and safety equipment; protective boots; protective gloves and protective clothing; protective goggles; software; application software; computer application software for mobile devices and computers; dairy herd management software and computer hardware; hardware; computer peripherals; optical devices, sensors and optical equipment, enhancers and correctors; observation instruments; closed-circuit video observation systems comprised of closed circuit television camera and video monitor; apparatus and instruments for conducting, switching, transforming, accumulating, regulating and contro-

ling electricity; electrical contacts; electric relays; apparatus for recording, storage, transmission or reproduction of sound or images; scientific surveying, photographic, cinematographic, optical, weighing, signalling apparatus and instruments; scientific research and laboratory apparatus, educational apparatus and simulators; chemistry apparatus and instruments; electronic publications, downloadable; apparatus, instruments and cables for electricity; printed circuit boards; load cells.

11 – Apparatus for lighting, heating, steam generating, cooking, refrigerating, drying, ventilating, water supply as well as sanitary installations; air treatment and air purification equipment; deodorizing apparatus; air purifying installations; ventilation hoods; commercial and industrial dehumidifiers; dust removing installations and equipment; HVAC systems (heating, ventilation and air conditioning); heat-recovery installations; air cooling apparatus; air purifying apparatus and machines; electrically powered blowers for ventilation; electric fans; regulating and safety accessories for water and gas installations; wet cooling towers and dry cooling towers with natural ventilation and/or forced ventilation for the cooling of liquid and/or vaporous media; burners, boilers and heaters; heat exchangers, not parts of machines; heat regenerators; furnaces; air reheaters; heat pumps; steam accumulators; heat accumulators; heat generating apparatus; stoves; incinerators; refrigerating and freezing equipment; refrigerating appliances and installations; cooling aggregates and cooling machines; refrigerating chambers; ice machines and apparatus; cooling condenser units consisting of a cooling component and a condenser (capacitor); transport refrigeration units for land, air and water vehicles, trailers, shipping boxes and containers; water cooling apparatus; cooling installations, in particular for foodstuffs, including milk cooling installations; cooling and refrigerating installations for the construction industry for the cooling of concrete; cooling and refrigerating installations for the mining industry; cooling and refrigerating installations for sports and leisure facilities; refrigerating containers; ice making machines; lighting and lighting reflectors; lighting apparatus; LED lighting apparatus; appliances for illumination; discharge tubes, electric, for lighting; infrared and ultraviolet lamps not for medical purposes; sanitary installations, water supply and sanitation equipment; sterilization, disinfection and decontamination equipment; disinfectant apparatus; autoclaves; water sterilizers; sterilizers for foodstuffs, including milk; steam sterilizers; water purification, desalination and conditioning installations; agricultural irrigation units; installations and apparatus for wastewater treatment; reverse osmosis devices, water filtering apparatus and water purification installations; pipes being parts of sanitary facilities; sterilizers (not for medical purposes); food and beverage cooking, heating, ro-

asting, grilling, cooling and treatment equipment; electric deep fryers; cooker hoods for industrial use; electric cooking utensils; electric kettles; coffee bean roasting machines; food dryers; roasting apparatus; infrared and microwave ovens for industrial purposes; pasteurizers; industrial treatment installations; industrial ovens and furnaces (not for food or beverages); heat exchangers for chemical processing; flare stacks; drying apparatus for chemical processing, distillation apparatus for chemical processing, evaporators for chemical processing, steamers for chemical processing; distillation columns and units; industrial water treatment plants; gas scrubbing apparatus and gas purifying installations; industrial installations for filtering liquids; installations for the collection of liquids; sewage treatment installations; drying apparatus and installations; crystallizers; installations for the purification of gas; heat regenerators; vaporizing installations, apparatus and appliances; drying apparatus; humidifying installations and equipment; humidifiers; filter systems; cleaning installations and equipment for liquids; water purification, water treatment, water supply and water desalination installations and equipment; apparatus and equipment for the separation of solid and liquid materials of gaseous and/or liquid media; apparatus and equipment for exhaust steam and waste heat recovery; automatic watering installations; pressure water tanks; clean chambers (sanitary installations); water intake apparatus; water filtering apparatus; water softening apparatus; water distribution installations; water heaters; water heating installations; air treatment apparatus and machines; germicidal lamps for purifying air; filters for industrial and household use; filters for the separation of solid or liquid substances from liquids or gases, including the air; flues and installations for conveying exhaust gases; gas condensers, other than parts of machines; ionization apparatus for the treatment of air; valves being parts of sanitary, heating, steam generating, cooking, refrigerating, drying, ventilating and water supply installations; installations and apparatus for the thermal treatment as well as for the thermal processing of foodstuffs, semiluxury food, beverages and animal feed, in particular for warming, heating, pasteurizing, distilling, refrigerating, freezing, chilling, condensing, spray drying, freeze-drying, drying and aerating of solid, liquid and/or gaseous substances, including their intermediates and precursors of synthetic, plant or animal origin, in particular including milk, milk products, milk intermediates, cheese, cheese products, cheese intermediates, butter, butter products, butter intermediates, coffee, beer, juices, meat, fish products and nutritional supplements as well as products of the petrochemical, chemical and pharmaceutical industry and in particular of commercial or industrial waste, wastewater or exhaust gases; milking parlor equipment, namely air curtains and aerators; distilling machines; mechanical watering sys-

tems for livestock; all aforementioned goods also manufactured according to customers' order.

17 – Rubber, gutta-percha, gum, asbestos, mica; plastics in extruded form for use in manufacture; packing, stopping and insulating materials; flexible tubes (not of metal); seals, sealants and fillers; pipes of rubber, silicone rubber or other synthetic materials for the food processing industry, including milk lines; teat rubber; flexible pipes, tubes, hoses, and fittings therefor, including valves; seals for pipe connections; flexible tubes (not of metal); insulation jackets for industrial pipes.

21 – Troughs, mainly of metal; watering canes of metal.

35 – Advertising; marketing; promotional services; publication of publicity texts; public relations; market studies; market analysis; computerized business information services; computerized inventory control; administration of third party business interests (control, management, supervision); business appraisals; business assistance, management and administrative services; business consulting; accountancy, book keeping and auditing; business consulting services relating to data processing; business planning; business advisory services for traders and the branch office staff in the milk-producing industry in the field of branch management, namely planning of the sales area development, sales planning and marketing planning, distribution techniques, distribution route management planning, personnel management and operational management; updating and maintenance of data in computer databases; business project management services for construction projects; business strategy development services; data processing; business analysis, research and information services; commercial information agency; collection and systematization of information into computer databases; drawing up of business statistical information; business feasibility studies; commercial trading and consumer information services; import and export services; retail and wholesale trade in the fields of pharmaceutical, veterinary and sanitary preparations; conducting of business surveys.

36 – Insurance; financial affairs and monetary affairs, including leasing transactions; corporate trustee services; financing and loan services; deposit banking; real estate affairs; financial information, data, advice and consultancy services; financial consulting services.

37 – Building construction; installation, repair and maintenance of machines, mechanical apparatus, implements, motors and engines for the industrial manufacturing and process technology, for the chemical, pharmaceutical, cosmetic, food and beverage industry, for agricultural and dairy purposes, for oil extracting and oil processing, for energy producing, waste water processing and for metal processing

industries, for shipping, for drilling platforms and for use in cellars; installation, repair and maintenance of regulating, checking (supervision), control, measuring and switching installations, apparatus and instruments, detecting and monitoring instruments, data processing installations and equipment, data collection installations and equipment, data output installations and equipment and data transmission installations and equipment; installation, repair and maintenance of lighting, heating, steam generating, cooking, refrigerating, drying, ventilating, water supply as well as sanitary installations; steel structure construction works; building construction, including civil engineering construction and including for the building of industrial and mechanical installations and of buildings; building construction supervision; installation of industrial and mechanical installations; construction information; cleaning services; installation of temporary structures for trade fairs; interference suppression in electrical apparatus; retrofitting and modification of machines; repair or maintenance of machines, installations (facilities) and apparatuses; installation, maintenance and repair of machines, installations (facilities) and apparatuses; installation, maintenance and repair of plants on farms; advisory relating to installation, maintenance and repair services; providing information relating to installation, maintenance and repair services; rental of machines, mechanical apparatus, implements and motors for the oil extracting and oil processing, for energy producing, waste water processing and for metal processing industries, for drilling platforms and for underground mining; rental of drying, steam generating, ventilating and water supply apparatus.

40 – Processing of metals, plastics and natural resources, namely rubber, gutta-percha, gum, asbestos, mica, stone, wood and leather; material treatment information; refrigerant recovery services; providing information relating to the processing and conversion of foodstuffs; printing, and photographic and cinematographic development; photographic processing; custom manufacture and assembly services; rental of machines, mechanical apparatus, implements and motors for the industrial manufacturing and process technology, for the chemical, pharmaceutical, cosmetic, food and beverage industry, for dairy purposes; rental of apparatus for heating; providing information relating to the rental of air conditioning apparatus or of chemical processing machines and apparatus; providing information relating to the rental of machines and apparatus for food processing or beverage production; providing information relating to the rental of room cooling units for commercial or industrial purposes; providing information relating to the rental of water purification apparatus.

41 – Providing of training and further training; tuition; online provision of electronic and non-download-

able educational content and information via apps (applications) and programs for mobile devices and computers; education; arranging and conducting of seminars in the field of food and beverage industry as well as the pharmaceutical, chemical and processing industry; training services; training services for dairy producers and dealers and dealership personnel in the dairy production industry, namely, conducting workshops, seminars and classes, and individualized training in the field of dairy farm hygiene, namely, dairy farm equipment hygiene and animal hygiene, animal health, milking system analysis, and milking management; training services for dealers and dealership personnel in the dairy production industry, namely, conducting workshops, seminars and classes in the field of dealership route management and general business management, namely, financial planning and management, territory development planning, sales and marketing planning, sales techniques, route management planning, manpower management, and operations management; training services for buyers of machines and installations with respect to maintenance; educational services; educational services, namely, arranging and conducting classes, seminars, symposiums, colloquiums, conferences, and workshops; practical training [demonstration]; correspondence courses; coaching; provision of training facilities; computer training; translation services; publishing and reporting; publication services; providing electronic publications (not downloadable); electronic desktop publishing; publication of periodicals and books in electronic form, including on the Internet; editing of texts (except publicity texts); publication of reports in the fields of science and technology.

42 – Scientific and technological services; technical surveying of industrial processes; engineering services; physics research; construction drafting; architectural and urban planning services; industrial and medical research; consultancy in the field of energy-saving; research in the field of agricultural chemistry; IT programming services; IT consultancy, advisory and information services; design and development of computer hardware; duplication of computer programs and conversion of computer programmes and data [not physical conversion]; decoding of data; it security services in the nature of protection and recovery of computer data; software design, development, programming and implementation; computer programming; data mining; hosting services and software as a service and rental of software; cloud computing; architectural and construction drafting and consultancy; preparation of data processing programs; rental of computer software, computer hardware and facilities; validation and quality assurance with respect to software components and hardware components; consultancy relating to computer software maintenance; design, technical development and technical planning of industrial plants

and machines; scientific and technological services and research and design relating thereto; industrial analysis and research services; design and development of computer hardware and software; consultancy services for dairy producers in the field of water quality testing and analysis and maintenance assessment of the performance and reliability of milking and cooling systems and of the udder washing system function; technical consultancy services to assist dairy producers in optimizing milk production performance and in maximizing milking efficiency by analyzing data, namely, milking vacuum levels, pulsation rates, ratios and characteristics, liner design and composition, milk production and dairy operator routines; consultancy in the field of dairy parlor and dairy facilities by providing technological consultation on milking equipment, level of automation, technical equipment monitoring measures, electrical equipment needs, water quality monitoring, design and planning of milking boxes; consultancy in the field of science, engineering and information technology; consultancy in the field of numerical fluid mechanics and development of fluid-mechanical computer models; consultancy regarding technical research in the field of foodstuffs and beverages; consultancy in the field of biotechnology; consultancy in the field of pharmaceutical research; consultancy in the field of veterinary research and development; consultancy in the field of renewable energy; consultancy in the field of environmentally friendly technologies; natural science services; chemical analysis for the optimization of hygiene in the food processing industry, including on dairy farms; chemical analysis for trade and industry, including the food processing industry and the dairy industry; provision of scientific information, advice and consultancy in relation to carbon offsetting; material testing; technical project management for the projection of industrial installations and machines; industrial analysis and research services; services of a research and development office; creation of new products; electronic data storage; data programming; data processing for others; data programming for others; design services; new product design; planning of commercially used facilities and industrial plants, in particular of the food industry, including of dairy facilities; computer technology consulting; technological analysis services; research laboratories and laboratory testing services; chemistry services; electrical engineering services; chemical engineering; scientific research; technical project studies; surveying and exploration; preparation of scientific reports; research, development and design of new machines and installations for others in the field of food processing and packaging; conducting scientific experiments; research and development services; testing, authentication and quality control; technical testing services; conducting chemical analyses; analysing of manufacturing processes; measuring and

analysis of emission and pollutant concentration; materials testing and evaluation; product testing; calibration services; rental of regulating, checking (supervision), control, measuring and switching installations, apparatus and devices, detecting and monitoring instruments, computers for data processing, data collection, data output and data transmission installations and equipment.

---

(260) AM 2018 92000 A

(800) 1341180

(891) 2016 11 30

(731) ADP GAUSELMANN GMBH

Merkur-Allee 1-15 32339 Espelkamp,

Germany

(540)

## Asian Towers

(591) Black and white

(511)

9 – Scientific, nautical, surveying, photographic, cinematographic, optical, weighing, measuring, signalling, checking (supervision), life-saving and teaching apparatus and instruments; apparatus and instruments for conducting, switching, transforming, accumulating, regulating or controlling electricity; apparatus for recording, transmission or reproduction of sound or images; magnetic data carriers, recording discs; compact discs, DVDs and other digital recording media; cash registers, calculating machines, data processing equipment, computers; computer software; fire-extinguishing apparatus; musical jukeboxes and parts for the aforesaid automatic machines; automatic cash dispensers, automatic money counting and money changing machines; coin-operated mechanisms; computer and video games software; games software for use on any computer platform, including electronic entertainment and games consoles; computer game programs; computer games programs; video games (software); computer games provided through a global computer network or supplied by means of multimedia electronic broadcast or through telecommunications or electronic transmission or via the internet; computer games, leisure and recreational software, video games and computer software, all being provided in the form of storage media; programs for operating electric and electronic apparatus for games, amusement and/or entertainment purposes; automatic lottery machines; computer software for computer games on the internet; online games (software), in particular for online betting games, online prize games, online gambling games, online games of skill and online casino games; computer software in the form of an app for mobile devices and computers; calculating apparatus in coin-operated machines and parts for the aforesaid goods; apparatus for recording, transmission, processing or reproduction of data, including sound or images, including parts for all the aforesaid goods, ex-

cept radio sets, television receivers, hi-fi systems, video recorders, telephone apparatus, fax machines and telephone answering machines; computer hardware and software for casino and amusement arcade games, for gaming machines, slot machines or video lottery gaming machines or games of chance via the internet; electric, electronic, optical or automatic apparatus, for identifying data carriers, identity cards and credit cards, bank notes and coins; electric, electronic or optical alarm and monitoring installations, including video cameras and apparatus for image transmission and image processing; data processing apparatus and computers, including data processing apparatus and computers being components for data networks and parts facilitating data network communications; electric wiring harnesses; circuit boards, printed board assemblies (electronic components) and combinations thereof being assemblies and equipment parts, included in this class.

28 – Games; toys; gymnastic and sporting articles not included in other classes; decorations for Christmas trees; gaming apparatus (including coin-operated apparatus); coin-operated arcade games (machines); arcade games (included in this class); coin-operated video gaming apparatus; video games apparatus adapted for use with external screens or monitors only; casino fittings, namely roulette tables, roulette wheels; coin-operated automatic gaming machines and gaming machines, in particular for gaming arcades, with or without a prize payout; electronic or electrotechnical gaming apparatus, automatic gaming machines, gaming machines, slot machines operated by coins, tokens, banknotes, tickets or by means of electronic, magnetic or biometric storage media, in particular for commercial use in casinos and amusement arcades, with or without a prize payout; automatic gaming machines and gaming machines, in particular for commercial use in casinos and gaming arcades, with or without a prize payout; coin-operated gaming machines and/or electronic money-based gaming apparatus (machines), with or without prizes; housings adapted for gaming machines, gaming apparatus and automatic gaming machines, operated by means of coins, tokens, tickets or by means of electronic, magnetic or biometric storage media, in particular for commercial use in casinos and gaming arcades, with or without a prize payout; electronic games; electronic game entertainment apparatus and parts thereof; video output game machines; drawing apparatus for prize games and lotteries, draws or raffles; housings of metal, plastic and/or wood for coin-operated automatic machines; apparatus for games (including video games), other than adapted for use with external screens or monitors only; electropneumatic and electric slot machines with pulling handles (gaming machines); gaming tables, in particular for table football, billiards, sliding games; flying discs (toys) and darts; electric, electronic or electromechanical gaming apparatus

for bingo games, lotteries or video lottery games and for betting offices, connected or unconnected to a computer network; LCD games consoles; automatic gaming machines; automatic gaming machines operating in networks; apparatus and devices for accepting and storing money, being fittings for the aforesaid automatic machines, included in this class.

(260) AM 2018 92005 A

(800) 1341488

(891) 2017 01 17

(731) CAFE RACER VAPE, INC.

993 N. Vulcan Ave Encinitas CA 92024,  
USA

(540)



(591) The color(s) red, orange, blue, tan, and white is/are claimed as a feature of the mark

(531) 01.01.05; 01.01.10; 18.01.05; 24.01.05;  
24.01.12; 24.01.15; 25.01.05; 27.05.02;  
27.05.05; 29.01.15

(526) CRAFT E-LIQUID

(511)

34 – Electronic cigarette liquid (e-liquid) comprised of flavorings in liquid form used to refill electronic cigarette cartridges; Electronic cigarette liquid (e-liquid) comprised of propylene glycol; Electronic cigarette liquid (e-liquid) comprised of vegetable glycerin; Flavorings for tobacco substitutes.

(260) AM 2018 92010 A

(800) 1341533

(891) 2016 11 23

(731) HUAWEI TECHNOLOGIES CO., LTD.

Administration Building Huawei  
Technologies Co., Ltd., Bantian, Longgang  
District Shenzhen, China

(540)

**HUAWEI GITA**

(591) Black, white



(531) 27.05.01

(511)

9 – Mobile phones; smartphones; cellular phones; smartglasses; smartwatches; wearable activity trackers; tablet computers; selfie sticks (hand-held monopods); holograms; connected bracelets (measuring instruments); protective films adapted for computer screens; protective films adapted for screens for mobile phones; covers for smartphones; cases for smartphones; smart cards (integrated circuit cards); integrated circuit cards (smart cards); laptop computers; network communication equipment; computer memories; audio and video receivers; portable media players; computers; notebook computers; computer hardware; modems; measuring instruments; video recorders; camcorders; cameras (photography); mobile power source (rechargeable batteries); electric batteries; loudspeakers; cabinets for loudspeakers; switchboards, electric switching apparatus; headphones; earphones; magnetic encoded identification bracelets; personal stereos

(260) AM 2018 92011 A

(800) 1341907

(891) 2016 11 03

(731) Obshchestvo s ogranichennoy otvetstvennostyu "GUSTUS"

M. Levshinsky per., 10, of. 3, pom. IV,

RU-119034 Moscow, Russian Federation

(540)



(591) Grey, white and red

(531) 26.04.04; 26.04.18; 27.05.17; 27.05.21;  
29.01.13

(511)

16 – Paper, cardboard and goods made from these materials, not included in other classes; photographs; adhesives for stationery or household purposes; artists' materials; paint brushes; typewriters and office requisites (except furniture); instructional and teaching material (except apparatus); plastic materials for packaging (not included in other classes); printers' type; printing blocks; fountain pens; aquarelles; albums; almanacs; document laminators for office use; mimeograph apparatus and machines; atlases; posters; paper bows; table linen of paper; tickets; forms, printed; announcement cards [stationery]; note books; pads [stationery]; drawing pads; loose-leaf binders; wristbands for the retention of writing instruments; pamphlets; booklets; paper sheets [stationery]; waxed paper; paper for recording machines; paper for radiograms; electrocardiograph paper; drawer liners of paper, perfumed or not; wood pulp

paper; carbon paper; copying paper [stationery]; parchment paper; writing paper; luminous paper; Xuan paper for Chinese painting and calligraphy; toilet paper; wrapping paper; filter paper; blotters; newsletters; rollers for typewriters; house painters' rollers; composing sticks; modelling wax, not for dental purposes; signboards of paper or cardboard; sewing patterns; newspapers; electrotypes; hectographs; modelling clay; polymer modelling clay; terrestrial globes; drawing sets; engravings; slate pencils; pencil leads; document holders [stationery]; pencil holders; chalk holders; page holders; holders for checkbooks [cheque books]; holders for stamps [seals]; diagrams; engraving plates; writing slates; blackboards; galley racks [printing]; drawing boards; advertisement boards of paper or cardboard; duplicators; punches [office requisites]; cream containers of paper; magazines [periodicals]; money clips; tags for index cards; pen clips; bookmarkers; etching needles; tracing needles for drawing purposes; periodicals; printed publications; paper shredders for office use; graphic representations; credit card imprinters, non-electric; graining combs; drawing instruments; calendars; tracing paper; tracing cloth; tracing patterns; gums [adhesives] for stationery or household purposes; lithographic stones; ink stones [ink reservoirs]; pencils; pencil lead holders; charcoal pencils; pictures; transfers [decalcomanias]; paintings [pictures], framed or unframed; wood pulp board [stationery]; hat boxes of cardboard; files [office requisites]; cards; index cards [stationery]; geographical maps; paper tapes and cards for the recordal of computer programmes; trading cards other than for games; perforated cards for Jacquard looms; catalogues; spools for inking ribbons; covers of paper for flower pots; paintbrushes; painters' brushes; writing brushes; typewriter keys; glue for stationery or household purposes; isinglass for stationery or household purposes; gluten [glue] for stationery or household purposes; starch paste [adhesive] for stationery or household purposes; books; manifolds [stationery]; comic books; drawing pins; cigar bands; envelopes [stationery]; cases for stamps [seals]; boxes of cardboard or paper; paint boxes [articles for use in school]; correcting fluids [office requisites]; stencils [stationery]; French curves; paper ribbons; typewriter ribbons; gummed tape [stationery]; adhesive bands for stationery or household purposes; correcting tapes [office requisites]; inking ribbons; inking ribbons for computer printers; adhesive tapes for stationery or household purposes; self-adhesive tapes for stationery or household purposes; drawing rulers; square rulers; flyers; absorbent sheets of paper or plastic for foodstuff packaging; humidity control sheets of paper or plastic for foodstuff packaging; viscose sheets for wrapping; sheets of reclaimed cellulose for wrapping; plastic bubble packs for wrapping or packaging; steel letters; type [numerals and letters]; lithographs; paint trays; ar-

chitects' models; postage stamps; plastics for modelling; graphic prints; modelling materials; teaching materials [except apparatus]; sealing compounds for stationery purposes; adhesives [glues] for stationery or household purposes; stuffing of paper or cardboard; bookbinding material; packaging material made of starches; packing [cushioning, stuffing] materials of paper or cardboard; filtering materials [paper]; addressing machines; pencil sharpening machines, electric or non-electric; bookbinding apparatus and machines [office equipment]; typewriters, electric or non-electric; folders [stationery]; franking machines for office use; chalk for lithography; writing chalk; tailors' chalk; marking chalk; bags [envelopes, pouches] of paper or plastics, for packaging; garbage bags of paper or of plastics; painters' easels; hand-rests for painters; printing sets, portable [office requisites]; bibs of paper; stickers [stationery]; finger-stalls [office requisites]; writing cases [stationery]; cords for bookbinding; paper knives [cutters] [office requisites]; numbering apparatus; bottle envelopes of cardboard or paper; covers [stationery]; passport holders; plastic cling film, extensible, for palletization; embroidery designs [patterns]; handwriting specimens for copying; oleographs; musical greeting cards; greeting cards; postcards; etchings; conical paper bags; bags for microwave cooking; palettes for painters; ink sticks; pantographs [drawing instruments]; folders for papers; papier mâché; pastels; modelling paste; pen cases; bookbindings; pen wipers; office perforators; pens [office requisites]; nibs of gold; nibs; steel pens; drawing pens; song books; seals [stamps]; sealing stamps; clipboards; address plates for addressing machines; handkerchiefs of paper; plastic film for wrapping; desk mats; letter trays; trays for sorting and counting money; coasters of paper; bookends; stamp stands; mats for beer glasses; stands for pens and pencils; photograph stands; obliterating stamps; inking pads; stamp pads; binding strips [bookbinding]; towels of paper; inking sheets for document reproducing machines; inking sheets for duplicators; bookbinding cloth; gummed cloth for stationery purposes; printers' blankets, not of textile; portraits; paperweights; writing cases [sets]; inkstands; writing materials; writing instruments; drawing materials; school supplies [stationery]; adhesive tape dispensers [office requisites]; hand labelling appliances; printed matter; lithographic works of art; prospectuses; printed timetables; ledgers [books]; printers' galleys; indexes; rubber erasers; elastic bands for offices; drawing T-squares; graphic reproductions; penholders; marking pens; tissues of paper for removing make-up; face towels of paper; table napkins of paper; place mats of paper; tablemats of paper; tablecloths of paper; paper clasps; document files [stationery]; scrapers [erasers] for offices; paper-clips; staples for offices; erasing products; biological samples for use in microscopy [teaching materials]; histological sections

for teaching purposes; steatite [tailor's chalk]; writing board erasers; composing frames [printing]; sealing wax; arithmetical tables; placards of paper or cardboard; writing or drawing books; fabrics for bookbinding; stationery; pencil sharpeners, electric or non-electric; transparencies [stationery]; stencil plates; cardboard tubes; Indian inks; moisteners [office requisites]; moisteners for gummed surfaces [office requisites]; drawing squares; chart pointers, non-electronic; bottle wrappers of cardboard or paper; envelope sealing machines, for offices; sealing machines for offices; vignetting apparatus; apparatus for mounting photographs; stapling presses [office requisites]; manuals [handbooks]; figurines [statuettes] of papier mâché; paper coffee filters; flags of paper; silver paper; molds for modelling clays [artists' materials]; photo-engravings; photographs [printed]; stencil cases; canvas for painting; chromolithographs [chromos]; compasses for drawing; numbers [type]; watercolor [watercolour] saucers for artists; correcting ink [heliography]; ink; inkwells; blueprints; rosaries; stencils; erasing shields; balls for ball-point pens; cabinets for stationery [office requisites]; printing type; address stamps; stamps [seals]; shields [paper seals]; prints [engravings]; labels, not of textile.

21 – Household or kitchen utensils and containers; combs and sponges; brushes (except paint brushes); brush-making materials; articles for cleaning purposes; steelwool; unworked or semi-worked glass (except glass used in building); glassware, porcelain and earthenware not included in other classes; pressure cookers [autoclaves], non-electric; indoor aquaria; buckets; cookie jars; candle jars [holders]; china ornaments; dishes; paper plates; vegetable dishes; saucers; mugs; candy boxes; bottles; demijohns; busts of porcelain, ceramic, earthenware or glass; vases; epergnes; fruit cups; bird baths; baby baths, portable; plungers for clearing blocked drains; waffle irons, non-electric; coolers [ice pails]; mop wringer buckets; buckets made of woven fabrics; whisks, non-electric, for household purposes; cooking skewers of metal; towel rails and rings; hair for brushes; birdcages; funnels; carpet beaters [hand instruments]; signboards of porcelain or glass; candle extinguishers; flower pots; chamber pots; glue-pots; cruets; decanters; large-toothed combs for the hair; combs for animals; tea cosies; abrasive sponges for scrubbing the skin; make-up sponges; sponges for household purposes; toilet sponges; sponge holders; toothpick holders; soap holders; napkin holders; holders for flowers and plants [flower arranging]; shaving brush stands; toilet paper holders; soap dispensers; toilet paper dispensers; ironing boards; cutting boards for the kitchen; bread boards; washing boards; crushers for kitchen use, non-electric; strainers; smoke absorbers for household purposes; containers for household or kitchen use; kitchen containers; glass jars [carboys]; heat-insulated con-

tainers; heat-insulated containers for beverages; thermally insulated containers for food; glass flasks [containers]; frying pans; closures for pot lids; chamois leather for cleaning; toothpicks; ceramics for household purposes; majolica; works of art of porcelain, ceramic, earthenware or glass; brush goods; kitchen grinders, non-electric; cleaning instruments, hand-operated; cabarets [trays]; stew-pans; covers, not of paper, for flower pots; shaving brushes; makeup brushes; cages for household pets; baking mats; polishing leather; hot pots, not electrically heated; glass bulbs [receptacles]; boot trees [stretchers]; shoe trees [stretchers]; napkin rings; poultry rings; rings for birds; piggy banks; bread baskets, domestic; baskets for domestic use; waste paper baskets; feeding troughs; mangers for animals; lunch boxes; tea caddies; washtubs; earthenware saucepans; mess-tins; cauldrons; coffee percolators, non-electric; coffeepots, non-electric; coffee grinders, hand-operated; fused silica [semi-worked product], other than for building; beer mugs; tankards; rat traps; pot lids; aquarium hoods; butter-dish covers; dish covers; cheese-dish covers; buttonhooks; pitchers; perfume burners; non-electric portable coldboxes; watering cans; fly traps; insect traps; mixing spoons [kitchen utensils]; basting spoons [cooking utensils]; pie servers; scoops [tableware]; spatulas [kitchen utensils]; butter dishes; material for brush-making; polishing materials for making shiny, except preparations, paper and stone; noodle machines, hand-operated; polishing apparatus and machines, for household purposes, non-electric; pepper mills, hand-operated; mills for domestic purposes, hand-operated; feather-dusters; brooms; isothermic bags; confectioners' decorating bags [pastry bags]; bowls [basins]; mosaics of glass, not for building; saucepan scourers of metal; soap boxes; mouse traps; cooking pot sets; nozzles for watering cans; spouts; nozzles for watering hose; fitted picnic baskets, including dishes; toilet cases; floss for dental purposes; fiberglass thread, not for textile use; cookie [biscuit] cutters; pastry cutters; sprinklers; syringes for watering flowers and plants; cotton waste for cleaning; wool waste for cleaning; cleaning tow; chopsticks; cocktail stirrers; food steamers, non-electric; pepper pots; oven mitts; gloves for household purposes; car washing mitts; polishing gloves; gardening gloves; plates to prevent milk boiling over; dripping pans; trays for domestic purposes; trays for domestic purposes, of paper; lazy susans; heaters for feeding bottles, non-electric; candelabra [candlesticks]; coasters, not of paper and other than table linen; grill supports; menu card holders; knife rests for the table; flat-iron stands; egg cups; abrasive pads for kitchen purposes; scouring pads; drinking troughs; powdered glass for decoration; pottery; pots; cooking pots; painted glassware; tableware, other than knives, forks and spoons; porcelain ware; earthenware; crystal [glassware]; cosmetic utensils; toilet utensils;

trouser presses; tortilla presses, non-electric [kitchen utensils]; deodorising apparatus for personal use; cruet sets for oil and vinegar; tie presses; potholders; clothes-pegs; glass stoppers; powder compacts; perfume vaporizers; powder puffs; dusting apparatus, non-electric; electric combs; grills [cooking utensils]; sifters [household utensils]; drinking horns; shoe horns; candle rings; salad bowls; sugar bowls; beaters, non-electric; coffee services [tableware]; liqueur sets; services [dishes]; tea services [tableware]; sieves [household utensils]; cinder sifters [household utensils]; tea strainers; pipettes [wine-tasters]; siphon bottles for carbonated water; rolling pins, domestic; steel wool for cleaning; currycombs; blenders, non-electric, for household purposes; fruit presses, non-electric, for household purposes; drinking straws; salt cellars; drinking vessels; vessels of metal for making ices and iced drinks; refrigerating bottles; bulb basters; cups of paper or plastic; drinking glasses; glasses [receptacles]; statues of porcelain, ceramic, earthenware or glass; figurines [statuettes] of porcelain, ceramic, earthenware or glass; glass for vehicle windows [semi-finished product]; glass wool other than for insulation; fiberglass other than for insulation or textile use; vitreous silica fibers [fibres], not for textile use; plate glass [raw material]; opal glass; opaline glass; glass incorporating fine electrical conductors; enamelled glass, not for building; soup bowls; drying racks for laundry; basins [receptacles]; table plates; disposable table plates; graters for kitchen use; insulating flasks; indoor terrariums [plant cultivation]; indoor terrariums [vivariums]; cloth for washing floors; cloths for cleaning; dusting cloths [rags]; furniture dusters; litter boxes [trays] for pets; urns; aerosol dispensers, not for medical purposes; wax-polishing appliances, non-electric, for shoes; water apparatus for cleaning teeth and gums; electric devices for attracting and killing insects; watering devices; utensils for household purposes; cooking utensils, non-electric; strainers for household purposes; coffee filters, non-electric; flasks; hip flasks; drinking bottles for sports; cake molds [moulds]; ice cube molds [moulds]; cookery molds [moulds]; molds [kitchen utensils]; deep fryers, non-electric; comb cases; bread bins; fly swatters; teapots; kettles, non-electric; cups; garlic presses [kitchen utensils]; ironing board covers, shaped; tea infusers; glass bowls; mops; mop wringers; cocktail shakers; cosmetic spatulas; corkscrews, electric and non-electric; animal bristles [brushware]; pig bristles; brushes; dishwashing brushes; ski wax brushes; brushes for cleaning tanks and containers; lamp-glass brushes; horse brushes; scrubbing brushes; toothbrushes; toothbrushes, electric; basting brushes; carpet sweepers; brushes for footwear; tar-brushes, long handled; toilet brushes; electric brushes, except parts of machines; eyebrow brushes; nail brushes; nest eggs, artificial; boxes for dispensing paper towels; dustbins; window-boxes; boxes of glass.

29 – Meat, fish, poultry and game; meat extracts; preserved, frozen, dried and cooked fruits and vegetables; jellies, jams, compotes; eggs; milk and milk products; edible oils and fats; ajvar [preserved peppers]; aloe vera prepared for human consumption; alginates for culinary purposes; anchovy; peanuts, prepared; artichokes, preserved; albumen for culinary purposes; white of eggs; beans, preserved; soya beans, preserved, for food; bouillon; ginger jam; ham; fatty substances for the manufacture of edible fats; toasted laver; edible birds' nests; peas, preserved; mushrooms, preserved; gelatine; meat jellies; fruit jellies; yolk of eggs; coconut fat; bone oil, edible; lard; suet for food; fruit-based snack food; charcuterie; raisins; caviar; eggplant paste; vegetable marrow paste; fish roe, prepared; yogurt; sauerkraut; kephir [milk beverage]; isinglass for food; clams, not live; milk shakes; black pudding [blood sausage]; arrangements of processed fruit; compotes; meat, tinned [canned (Am.)]; vegetables, tinned [canned (Am.)]; fish, tinned [canned (Am.)]; fruits, tinned [canned (Am.)]; bouillon concentrates; gherkins; shrimps, not live; prawns, not live; buttercream; croquettes; silkworm chrysalis, for human consumption; kumys [kumyss] [milk beverage]; spiny lobsters, not live; lecithin for culinary purposes; salmon, not live; onions, preserved; margarine; piccalilli; marmalade; peanut butter; cocoa butter for food; coconut oil; coconut butter; corn oil; sesame oil; linseed oil for culinary purposes; olive oil for food; palm oil for food; palm kernel oil for food; sunflower oil for food; colza oil for food; butter; shellfish, not live; almonds, ground; animal marrow for food; mussels, not live; peanut milk for culinary purposes; milk of almonds for culinary purposes; rice milk [milk substitute]; condensed milk; soya milk [milk substitute]; albumin milk; powdered milk; fish meal for human consumption; vegetable mousses; fish mousses; fruit pulp; meat, preserved; milk beverages, milk predominating; potato fritters; olives, preserved; lobsters, not live; flavored nuts; candied nuts; coconut, desiccated; nuts, prepared; tomato purée; liver pâté; pectin for culinary purposes; liver; pickles; jams; powdered eggs; fish-based foodstuffs; curd; prostokvasha [soured milk]; bulgogi [Korean beef dish]; pollen prepared as foodstuff; cranberry sauce [compote]; apple purée; crayfish, not live; crustaceans, not live; fish, preserved; salted fish; vegetable salads; fruit salads; bacon; sardines, not live; pork; herrings, not live; seeds, prepared; sunflower seeds, prepared; whipped cream; cream [dairy products]; fat-containing mixtures for bread slices; smetana [sour cream]; vegetable juices for cooking; tomato juice for cooking; salted meats; sausages; sausages in batter; preparations for making bouillon; preparations for making soup; tripe; soups; vegetable soup preparations; whey; cheese; tahini [sesame seed paste]; tofu; sea-cucumbers, not live; truffles, preserved; tuna, not live; oysters, not live; milk ferments for

culinary purposes; rennet; fish fillets; dates; crystallized fruits; fruit preserved in alcohol; hazelnuts, prepared; potato flakes; hummus [chickpea paste]; fruit peel; preserved garlic; lentils, preserved; potato chips; low-fat potato chips; fruit chips; non-alcoholic eggnog; seaweed extracts for food; berries, preserved; snail eggs for consumption; yakitori.

30 – Coffee, tea, cocoa and artificial coffee; rice; tapioca and sago; flour and preparations made from cereals; bread, pastry and confectionery; ices; sugar, honey, treacle; yeast, baking-powder; salt; mustard; vinegar, sauces (condiments); spices; ice; aromatic preparations for food; vanilla flavorings for culinary purposes; flavorings, other than essential oils, for cakes; flavorings, other than essential oils, for beverages; coffee flavorings; food flavorings, other than essential oils; star aniseed; baozi [stuffed buns]; cereal bars; high-protein cereal bars; pancakes; noodle-based prepared meals; buns; bread rolls; edible rice paper; edible paper; burritos; vanillin [vanilla substitute]; vareniki [stuffed dumplings]; waffles; vermicelli [noodles]; natural sweeteners; sausage binding materials; binding agents for ice cream [edible ices]; sea water for cooking; seaweed [condiment]; malt biscuits; cloves [spice]; cake frosting [icing]; glucose for culinary purposes; gluten additives for culinary purposes; thickening agents for cooking foodstuffs; leaven; rice-based snack food; cereal-based snack food; vegetal preparations for use as coffee substitutes; dressings for salad; fruit jellies [confectionery]; candy decorations for cakes; confectionery for decorating Christmas trees; cakes; pastries; peanut confectionery; almond confectionery; pasta; ginger [spice]; frozen yogurt [confectionery ices]; cream of tartar for culinary purposes; capers; caramels [candy]; curry [spice]; ketchup [sauce]; gimbap [Korean rice dish]; quiches; gluten prepared as foodstuff; sweetmeats [candy]; liquorice [confectionery]; peppermint sweets; cinnamon [spice]; unroasted coffee; starch for food; crackers; custard; hominy grits; semolina; oatmeal; crushed barley; groats for human food; corn, milled; corn, roasted; meat pies; turmeric; couscous [semolina]; noodles; ice for refreshment; candy; rice cakes; mayonnaise; macaroons [pastry]; macaroni; maltose; hominy; marinades; marzipan; royal jelly; ice cream; bean meal; tapioca flour; potato flour; corn flour; nut flours; flour; wheat flour; soya flour; barley meal; desert mousses [confectionery]; chocolate mousses; muesli; mint for confectionery; cocoa beverages with milk; coffee beverages with milk; coffee-based beverages; cocoa-based beverages; tea-based beverages; chocolate beverages with milk; chocolate-based beverages; infusions, not medicinal; crushed oats; husked oats; okonomiyaki [Japanese savory pancakes]; chocolate-coated nuts; nutmegs; stick liquorice [confectionery]; soya bean paste [condiment]; pastilles [confectionery]; molasses for food; pâtés en croûte; pelmeni [dumplings stuffed with meat]; pepper;

allspice; peppers [seasonings]; pesto [sauce]; cookies; petit-beurre biscuits; pies; pizzas; meat gravies; fondants [confectionery]; popcorn; powders for making ice cream; mustard meal; pralines; condiments; meat tenderizers, for household purposes; oat-based food; propolis; gingerbread; petits fours [cakes]; puddings; rice pudding; cake powder; fruit coulis [sauces]; ravioli; ramen [Japanese noodle-based dish]; chewing gum; relish [condiment]; wheat germ for human consumption; spring rolls; palm sugar; aniseed; linseed for human consumption; golden syrup; confectionery; batter mixes for okonomiyaki [Japanese savory pancakes]; baking soda [bicarbonate of soda for cooking purposes]; malt for human consumption; salt for preserving foodstuffs; cooking salt; celery salt; sherbets [ices]; ham glaze; soya sauce; tomato sauce; pasta sauce; sauces [condiments]; spaghetti; seasonings; preparations for stiffening whipped cream; rusks; breadcrumbs; sushi; sandwiches; tabbouleh; tacos; tarts; dough; pastry dough; almond paste; rice pulp for culinary purposes; cake dough; tortillas; garden herbs, preserved [seasonings]; chocolate decorations for cakes; beer vinegar; ferments for pastes; halvah; bread; unleavened bread; corn flakes; oat flakes; chips [cereal products]; flowers or leaves for use as tea substitutes; jiaozi [stuffed dumplings]; chicory [coffee substitute]; iced tea; chutneys [condiments]; minced garlic [condiment]; cheeseburgers [sandwiches]; chow-chow [condiment]; saffron [seasoning]; chocolate; malt extract for food; essences for foodstuffs, except etheric essences and essential oils; husked barley.

35 – Advertising; business management; business administration; office functions; arranging subscriptions to telecommunication services for others; import-export agency services; commercial information agency services; advertising agency services; cost price analysis; rental of advertising space; business auditing; employment agency services; computerized file management; book-keeping; outsourced administrative management for companies; invoicing; demonstration of goods; transcription of communications [office functions]; opinion polling; market studies; business information; commercial information and advice for consumers [consumer advice shop]; business investigations; business research; marketing research; personnel recruitment; business management and organization consultancy; business organization consultancy; business management consultancy; personnel management consultancy; professional business consultancy; layout services for advertising purposes; marketing; business management of performing artists; business management of sports people; writing of résumés for others; scriptwriting for advertising purposes; news clipping services; updating and maintenance of data in computer databases; updating of advertising material; word processing; organization of exhibitions for commercial or advertising purposes; arranging new-

spaper subscriptions for others; organization of fashion shows for promotional purposes; organization of trade fairs for commercial or advertising purposes; shop window dressing; design of advertising materials; business appraisals; payroll preparation; data search in computer files for others; sponsorship search; business management assistance; commercial or industrial management assistance; commercial intermediation services; providing business information via a web site; provision of commercial and business contact information; provision of an on-line marketplace for buyers and sellers of goods and services; web indexing for commercial or advertising purposes; presentation of goods on communication media, for retail purposes; economic forecasting; auctioneering; retail or wholesale services for pharmaceutical, veterinary and sanitary preparations and medical supplies; sales promotion for others; production of advertising films; office machines and equipment rental; rental of advertising time on communication media; publicity material rental; rental of billboards [advertising boards]; rental of vending machines; rental of sales stands; rental of photocopying machines; publication of publicity texts; radio advertising; bill-posting; distribution of samples; dissemination of advertising matter; direct mail advertising; writing of publicity texts; on-line advertising on a computer network; advertising by mail order; television advertising; document reproduction; compilation of information into computer databases; compilation of statistics; business inquiries; systemization of information into computer databases; advisory services for business management; negotiation and conclusion of commercial transactions for third parties; tax preparation; drawing up of statements of accounts; telemarketing services; psychological testing for the selection of personnel; business management of hotels; business management for freelance service providers; business project management services for construction projects; commercial administration of the licensing of the goods and services of others; business management of reimbursement programs for others; administration of consumer loyalty programs; administration of frequent flyer programs; administrative processing of purchase orders; public relations; modelling for advertising or sales promotion; typing; appointment reminder services [office functions]; web site traffic optimization; relocation services for businesses; tax filing services; search engine optimization for sales promotion; appointment scheduling services [office functions]; price comparison services; pay per click advertising; secretarial services; procurement services for others [purchasing goods and services for other businesses]; shorthand; outsourcing services [business assistance]; telephone answering for unavailable subscribers; photocopying services; business efficiency expert services.

43 – Services for providing food and drink; temporary accommodation; accommodation bureau services [hotels, boarding houses]; rental of temporary accommodation; rental of meeting rooms; tourist home services; hotel reservations; boarding house bookings; temporary accommodation reservations; hotel services; retirement home services; snack-bar services; café services; cafeteria services; motel services; boarding house services; boarding for animals; rental of cooking apparatus; rental of chairs, tables, table linen, glassware; rental of lighting apparatus; rental of tents; rental of transportable buildings; rental of drinking water dispensers; restaurant services; self-service restaurant services; food sculpting; canteen services; holiday camp services [lodging]; bar services; providing campground facilities; food and drink catering; day-nursery [crèche] services.

(260) AM 2018 92012 A

(800) 1341534

(891) 2016 11 23

(731) HUAWEI TECHNOLOGIES CO., LTD.

Administration Building Huawei Technologies Co., Ltd., Bantian, Longgang District Shenzhen, China

(540)

## HUAWEI GEKE

(591) Black, white

(531) 27.05.05

(511)

9 – Mobile phones; smartphones; cellular phones; smartglasses; smartwatches; wearable activity trackers; tablet computers; selfie sticks (hand-held monopods); holograms; connected bracelets (measuring instruments); protective films adapted for computer screens; protective films adapted for screens for mobile phones; covers for smartphones; cases for smartphones; smart cards (integrated circuit cards); integrated circuit cards (smart cards); laptop computers; network communication equipment; computer memories; audio and video receivers; portable media players; computers; notebook computers; computer hardware; modems; measuring instruments; video recorders; camcorders; cameras (photography); mobile power source (rechargeable batteries); electric batteries; loudspeakers; cabinets for loudspeakers; switchboards, electric switching apparatus; headphones; earphones; magnetic encoded identification bracelets; personal stereos.

(260) AM 2018 92013 A

(800) 1341908

(891) 2016 11 10

(731) GUCCIO GUCCI S.P.A.

Via Tornabuoni, 73/R, I-50123 FIRENZE, Italy

(540)

## L'AVEUGLE PAR AMOUR

(511)

14 – Precious metals and their alloys; precious stones; jewellery including chains, necklaces, rings, bracelets, ear clips or pendants, brooches, charms; horological and chronometric instruments; clocks; watches; jewellery boxes and watch boxes; bracelets for watches; keyrings and chains; cufflinks; shoe ornaments of precious metal.

18 – Leather and imitations of leather; animal skins, hides; trunks and travelling bags; umbrellas and parasols; walking sticks; whips, harness and saddle; bags; shoulder bags; handbags; boston bags; waist packs; sling bags for carrying infants; shopping bags; duffle bags; tote bags; evening handbags; clutch bags; wallets; purses; leather credit card cases and holders; business card cases; travelling cases of leather; shoe bags for travel; briefcases; attaché cases; pouches of leather; carrying cases made of leather; school bags and satchels; suitcases; sports bags; bags and holdalls for sports clothing; key cases made of leather; backpacks; rucksacks; carry-on bags; vanity cases sold empty; shaving bags sold empty; beach bags.

25 – Clothing, footwear, headgear.

(260) AM 2018 92014 A

(800) 1341535

(891) 2016 11 23

(731) HUAWEI TECHNOLOGIES CO., LTD.

Administration Building Huawei Technologies Co., Ltd., Bantian, Longgang District Shenzhen, China

(540)

## HUAWEI VISHION

(591) Black, white

(531) 27.05.01

(511)

9 – Smartglasses; smartwatches; protective films adapted for computer screens; wearable activity trackers; covers for smartphones; cases for smartphones; protective films adapted for screens for mobile phones; selfie sticks (hand-held monopods); video telephones; modems; digital photo frames; microphones; couplers (data processing equipment); transponders; cabinets for loudspeakers; audio and video receivers; video screens; network communication equipment; sleeves for laptops; smartphones; electric batteries; battery chargers; mobile power source (rechargeable batteries); tablet computers; laptop computers; bags adapted for laptops; headphones; earphones; television apparatus; sound transmitting apparatus; camcorders; cell phone straps; computer keyboards; mouse (computer peripheral); telephone sheath; portable media players; magnetic encoded identification

bracelets; pedometers; electric monitoring apparatus; connected bracelets (measuring instruments); recorded computer programmes (programs); computer game software.

(260) AM 2018 92019 A

(800) 1341536

(891) 2016 11 23

(731) HUAWEI TECHNOLOGIES CO., LTD.

Administration Building Huawei Technologies Co., Ltd., Bantian, Longgang District Shenzhen, China

(540)

# HUAWEI B7

(591) Black, white

(531) 27.05.17; 27.07.17

(511)

9 – Mobile phones; smartphones; cellular phones; smartglasses; smartwatches; wearable activity trackers; tablet computers; selfie sticks (hand-held monopods); holograms; connected bracelets (measuring instruments); protective films adapted for computer screens; protective films adapted for screens for mobile phones; covers for smartphones; cases for smartphones; smart cards (integrated circuit cards); integrated circuit cards (smart cards); laptop computers; network communication equipment; computer memories; audio and video receivers; portable media players; computers; notebook computers; computer hardware; modems; measuring instruments; video recorders; camcorders; cameras (photography); mobile power source (rechargeable batteries); electric batteries; loudspeakers; cabinets for loudspeakers; switchboards; electric switching apparatus; headphones; earphones; magnetic encoded identification bracelets; personal stereos.

(260) AM 2018 92021 A

(800) 1341537

(891) 2016 11 23

(731) HUAWEI TECHNOLOGIES CO., LTD.

Administration Building Huawei Technologies Co., Ltd., Bantian, Longgang District Shenzhen, Switzerland

(540)

# GoStep

(591) Black, white

(531) 27.05.01; 27.05.17

(511)

9 – Mobile phones; smartphones; smartglasses; smartwatches; wearable activity trackers; tablet computers; selfie sticks (hand-held monopods); holograms; connected bracelets (measuring instruments); protective films adapted for computer screens;

covers for smartphones; cases for smartphones; network communication equipment; computer memories; audio and video receivers; portable media players; computers; notebook computers; computer hardware; modems; measuring instruments; video recorders; camcorders; protective films adapted for screens for mobile phones; mobile power source (rechargeable batteries); electric batteries; loudspeakers; cabinets for loudspeakers; switchboards; electric switching apparatus; headphones; earphones; magnetic encoded identification bracelets; personal stereos.

(260) AM 2018 92023 A

(800) 1341623

(891) 2016 10 24

(731) ZHEJIANG YIDUN MECHANICAL & ELECTRICAL CO., LTD.

CHANGHONG INDUSTRIAL DISTRICT, ZEGUO TOWN, WENLING CITY ZHEJIANG PROVINCE, China

(540)



(591) Black, white

(531) 26.03.23; 27.05.01; 27.05.17

(511)

7 – Aerating pumps for aquaria; machines for electric accumulator industry; cutting machines; hand-held tools, other than hand-operated; dynamos; driving motors other than for land vehicles; motors, electric, other than for land vehicles; pumps [machines]; air pumps [garage installations]; vacuum pumps [machines]; valves [parts of machines]; compressed air pumps; turbocompressors; blowing machines for the compression, exhaustion and transport of gases; suction machines for industrial purposes; bellows [parts of machines]; compressed air machines; blowing machines; pressure reducers [parts of machines]; welding machines electric; welding apparatus, gas-operated; electric welding apparatus; soldering apparatus, electric; electric arc welding apparatus; electric arc cutting apparatus; washing apparatus; filter presses; pneumatic transporters.

(260) AM 2018 92024 A

(800) 1341676

(891) 2016 12 20

(731) YINGCHANG GROUP CO., LTD.

Duqiao, Linhai, Taizhou City Zhejiang, China

(540)

# Prsr

(591) Black, white  
(531) 27.05.01; 27.05.17  
(511)

9 – Eyeglasses; spectacles [optics]; sunglasses; eyeglass chains; spectacle frames; glasses-cleaning cloth; spectacle glasses; contact lenses; spectacle cases; correcting lenses [optics].

(260) AM 2018 92028 A

(800) 1341681

(891) 2016 12 27

(731) LE SHI HOLDINGS (BEIJING) LIMITED

Room 1102, 10/F, Building 3, No.105

Yaojiayuan Road, Chaoyang District

Beijing, China

(540)

**LeEco**

(591) Black, white  
(531) 27.05.10; 27.05.17  
(511)

7 – Bicycle assembling machines; starters for motors and engines; fans for motors and engines; mufflers for motors and engines; air filters for automobile engines; pumps [parts of machines, engines or motors]; compressors [machines]; taps [parts of machines, engines or motors]; pneumatic cylinder (machine parts); bearings [parts of machines]; universal joints [cardan joints]; door closers, electric; control mechanisms for machines, engines or motors; vacuum cleaners; brushes for vacuum cleaners.

9 – Smartwatches; smartglasses; downloadable image files; computer memory devices; electronic publications, downloadable; computer programs [downloadable software]; computer operating programs, recorded; tablet computers; integrated circuit cards [smart cards]; computers; USB flash drives; encoded key cards; computer game software; mouse pads; computer software applications, downloadable; computer peripheral devices; smartphones; cases for smartphones; transmitting sets [telecommunication]; videotelephones; covers for smartphones; satellite navigational apparatus; protective films adapted for mobile phone screens; wearable activity trackers; cell phones; modems; navigation apparatus for vehicles [on-board computers]; network communication apparatus; batteries, electric; mobile power pack; chargers for electric batteries.

12 – Remote control vehicles, other than toys; vehicles for locomotion by land, air, water or rail; electric vehicles; refrigerated waggons [railroad vehicles]; motorcycles; ashtrays for automobiles; automobiles wheels; driverless cars [autonomous cars]; sports cars; automobiles; automobile bodies; engines for land vehicles; rearview mirrors; hubs for automobiles wheels; direction indicators for bicycles; electric

bicycles; bicycle wheels; audible warning systems for bicycles; bicycles; tricycles; mobility scooters; pushchair covers; pushchairs; prams; wheelbarrows; casters for trolleys [vehicles]; omnibuses; carts; solid tyres for vehicle wheels; inner tubes for bicycle tires; tubeless tyres for bicycles; air vehicles; parachutes; launches; steering wheels for vehicles; windscreens; safety seats for children, for vehicles; anti-theft alarms for vehicles; vehicle chassis; side view mirrors for vehicles; upholstery for vehicles; vehicle joysticks.

25 – Clothing; sports jerseys; layettes [clothing]; cyclists' clothing; waterproof clothing; masquerade costumes; children's helmets; hats; hosiery; gloves [clothing]; ski gloves; scarfs; girdles; braces for clothing [suspenders]; albs; shower caps; sleep masks.

28 – Games; apparatus for games; controllers for game consoles; video game machines; scale model vehicles; toy vehicles; drones [toys]; scooters [toys]; stuffed toys; toy pistols; playing cards; checkers [games]; chess games; backgammon games; golf bag trolleys; playing balls; body-building apparatus; stationary exercise bicycles; archery implements; skis; toy whistles; gloves for games; snowshoes; knee guards [sports articles]; in-line roller skates; ornaments for Christmas trees, except illumination articles and confectionery; fishing tackle; scratch cards for playing lottery; rackets sweatband.

36 – Insurance brokerage; insurance information; processing of credit card payments; online banking; financing services; electronic funds transfer; processing of debit card payments; financial management; stocks and bonds brokerage; providing rebates at participating establishments of others through use of a membership card; financial information; providing financial information via a web site; jewellery appraisal; real estate brokerage; brokerage; surety services; charitable fund raising; fiduciary; pawnbrokerage.

37 – Repair information; mining extraction; upholstering; heating equipment installation and repair; electric appliance installation and repair; installation, maintenance and repair of computer hardware; lighting apparatus installation and repair; vehicle maintenance; vehicle battery charging; motor vehicle maintenance and repair; vehicle cleaning; vehicle service stations [refuelling and maintenance]; vehicle washing; airplane maintenance and repair; shipbuilding; photographic apparatus repair; clock and watch repair; repair of security locks; varnishing; vulcanization of tyres [repair]; furniture maintenance; clothing repair; disinfecting; tuning of musical instruments.

38 – News agency services; television broadcasting; wireless broadcasting; message sending; providing access to databases; communications by fiber optic networks; providing telecommunications connecti-



ons to a global computer network; electronic bulletin board services [telecommunications services]; computer aided transmission of messages and images; providing Internet chatrooms; video-on-demand transmission; communications by computer terminals.

39 – Transport; transport services for sightseeing tours; boat rental; vehicle breakdown towing services; car transport; rental of navigational systems; air transport; piloting; car rental; rental of tractors; vehicle rental; chauffeur services; motor coach rental; rental of warehouses; rental of diving suits; distribution of energy; operating canal locks; courier services [messages or merchandise]; escorting of travellers; transport by pipeline.

41 – Educational services; organization of competitions [education or entertainment]; organization of sports competitions; bookmobile services; on-line publication of electronic books and journals; film production, other than advertising films; television entertainment; distribution of motion-picture films; screenplay writing; providing sports facilities; presentation of variety shows; songwriting; providing on-line videos, not downloadable; club services [entertainment or education]; entertainment services; game services provided on-line from a computer network; health club services [health and fitness training]; animal training; organization of lotteries.

42 – Mechanical research; technical research; technical writing; surveying; cosmetic research; biological research; meteorological information; vehicle road-worthiness testing; industrial design; interior design; design of interior decor; dress designing; recovery of computer data; updating of computer software; computer security consultancy; electronic data storage; off-site data backup; providing search engines for the Internet; hosting computer sites [web sites]; conversion of data or documents from physical to electronic media; rental of computer software; computer software design; maintenance of computer software; installation of computer software; software as a service [SaaS]; cloud computing; information technology [IT] consultancy; authenticating works of art.

45 – Security consultancy; chaperoning; clothing rental; funerary undertaking; dating services; marriage agency services; on-line social networking services; licensing of intellectual property; copyright management.

(260) AM 2018 92029 A

(800) 1341692

(891) 2016 12 16

(731) Aktsionernoe obshchestvo "SLAVYANKA PLUS"

ul. 1-y Konnoy Armii, 65, RU-309506 g. Stary Oskol, Russian Federation

(540)

# STOPS

(591) Black, white

(531) 27.05.01; 27.05.17

(511)

30 – Coffee; tea; cocoa; artificial coffee; rice; tapioca; sago; flour and preparations made from cereals; bread rolls; bread; buns; ice-cream; sugar; honey; golden syrup; yeast; baking powder; cooking salt; mustard; vinegar; condiments; spices; ice for refreshment; aromatic preparations for food; flavorings, other than essential oils, for cakes; flavourings, other than essential oils, for cakes; flavourings, other than essential oils, for beverages; flavorings, other than essential oils, for beverages; coffee flavourings; coffee flavorings; food flavorings, other than essential oils; food flavourings, other than essential oils; star aniseed; high-protein cereal bars; pancakes; noodle-based prepared meals; vanillin [vanilla substitute]; vanilla flavourings for culinary purposes; vanilla flavorings for culinary purposes; waffles; vermicelli [noodles]; natural sweeteners; sausage binding materials; binding agents for ice cream [edible ices]; sea water for cooking; seaweed [condiment]; malt biscuits; cloves [spice]; cake frosting [icing]; glucose for culinary purposes; gluten additives for culinary purposes; thickening agents for cooking foodstuffs; leaven; rice-based snack food; cereal-based snack food; vegetal preparations for use as coffee substitutes; dressings for salad; fruit jellies [confectionery]; confectionery for decorating Christmas trees; cakes; pastries; peanut confectionery; almond confectionery; pasta; pies; ginger [spice]; frozen yogurt [confectionery ices]; frozen yoghurt [confectionery ices]; capers; caramels [candy]; curry [spice]; ketchup [sauce]; quiches; gluten prepared as foodstuff; sweetmeats [candy]; liquorice [confectionery]; peppermint sweets; cinnamon [spice]; unroasted coffee; starch for food; crackers; custard; hominy grits; semolina; oatmeal; crushed barley; groats for human food; corn, milled; corn, roasted; meat pies; turmeric; couscous [semolina]; noodles; ice, natural or artificial; edible ices; candy; rice cakes; mayonnaise; macarons [pastry]; macaroni; maltose; hominy; marinades; marzipan; royal jelly; bean meal; tapioca flour; potato flour; corn flour; flour; wheat flour; soya flour; barley meal; dessert mousses [confectionery]; chocolate mousses; muesli; mint for confectionery; cocoa beverages with milk; coffee beverages with milk; tea-based beverages; coffee-based beverages; chocolate beverages; chocolate beverages with milk; cocoa-based beverages; infusions, not medicinal; crushed oats; husked oats; chocolate-coated nuts; nutmegs; stick liquorice [confectionery]; miso [condiment]; soya bean paste [condiment]; pastilles [confectionery]; molasses for food; pepper; allspice; peppers [seasonings]; pesto [sauce]; cookies; bis-

cuits; petit-beurre biscuits; pizzas; meat gravies; fondants [confectionery]; popcorn; powders for ice cream; mustard meal; pralines; meat tenderizers, for household purposes; oat-based food; propolis; gingerbread; petits fours [cakes]; puddings; cake powder; fruit coulis [sauces]; ravioli; chewing gum; relish [condiment]; wheat germ for human consumption; spring rolls; aniseed; linseed for human consumption; cake dough; cake batter; confectionery; sugar confectionery; baking soda [bicarbonate of soda for cooking purposes]; malt for human consumption; salt for preserving foodstuffs; celery salt; sherbets [ices]; sorbets [ices]; ham glaze; soya sauce; tomato sauce; sauces [condiments]; spaghetti; seasonings; preparations for stiffening whipped cream; rusks; breadcrumbs; sushi; sandwiches; tabbouleh; tacos; cream of tartar for culinary purposes; confectionery, including tarts; almond paste; tortillas; garden herbs, preserved [seasonings]; beer vinegar; ferments for pastes; halvah; unleavened bread; chips [cereal products]; corn flakes; oat flakes; chicory [coffee substitute]; iced tea; chutneys [condiments]; cheeseburgers [sandwiches]; chow-chow [condiment]; saffron [seasoning]; chocolate; malt extract for food; essences for foodstuffs, except etheric essences and essential oils; husked barley.

(260) AM 2018 92030 A

(800) 1341698

(891) 2017 01 16

(731) DAVID AND LILY PENN, INC.

1021 Wayzata Blvd, Suite 250 Minnetonka  
MN 55305, United States of America

(540)



(591) Black, white

(531) 15.05.01; 15.05.25; 18.01.07; 18.01.08;  
26.11.02; 26.11.08; 27.05.11

(511)

12 – Tires.

(260) AM 2018 92032 A

(800) 1341712

(891) 2017 01 04

(731) AKZO NOBEL COATINGS  
INTERNATIONAL B.V.

Velperweg 76, NL-6824 BM Arnhem,  
Netherlands

(540)



(591) zed

(531) 27.05.03; 27.05.21; 27.05.24; 29.01.12

(511)

1 – Putties, fillers and pastes, all for use in the automotive and car repair industry.

2 – Coatings, paints, varnishes, lacquers, primers; thinners for paints, thickeners for paints; preservatives against rust; colouring matters; dyes, dyestuffs; mordants; natural resins, metals in foil and powder form for painters and decorators, all for use in the automotive and car repair industry.

34 – Bleaching preparations; cleaning, polishing, scouring and abrasive preparations, all for use in the automotive and car repair industry.

(260) AM 2018 92033 A

(800) 1341714

(891) 2017 01 17

(731) FRIESLANDCAMPINA NEDERLAND B.V.

Stationsplein 4, NL-3818 LE Amersfoort,  
Netherlands

(540)



(591) Several shades of blue, several shades of green, gold and white.

(531) 01.15.15; 02.09.01; 05.03.13; 25.07.01;  
26.01.06; 26.13.25; 29.01.14

(511)

5 – Food for babies.

29 – Milk and milk products.

30 – Chocolate and chocolate flavoured drinks; cereals and preparations made from cereals.

(260) AM 2018 92037 A

(800) 1341234

(891) 2016 08 15

(731) OLGA STANISLAVOVNA

NOVGORODTCEVA

dom 12, kv. 8, ul. Yurizanskaya RU-197110  
Saint Petersburg, Russian Federation

(540)



(591) Black, blue, brown, green, orange, red and yellow

(531) 02.01.16; 02.01.23; 24.17.15; 24.17.25; 26.01.05; 26.07.25; 26.13.25; 29.01.15

(511)

9 – Compact discs [audio-video]; compact discs [read-only memory]; downloadable electronic publications; downloadable image files; downloadable music files; floppy disks; magnetic data media; magnetic disks; optical data media; optical discs; sound recording carriers; sound recording discs; video cassettes.

16 – Almanacs; atlases; booklets; bookmarkers; books; calendars; cards; catalogues; comic books; diagrams; flyers; graphic prints; graphic representations; graphic reproductions; greeting cards; magazines [periodicals]; manuals [handbooks]; musical greeting cards; newsletters; newspapers; pamphlets; periodicals; photo-engravings; photographs [printed]; pictures; postcards; posters; printed matter; printed publications; prospectuses; signboards of paper or cardboard; song books.

41 – Academies [education]; arranging and conducting of colloquiums; arranging and conducting of conferences; arranging and conducting of congresses; arranging and conducting of seminars; arranging and conducting of symposiums; arranging and conducting of workshops [training]; club services [entertainment or education]; coaching [training]; correspondence courses; education information; educational services; electronic desktop publishing; layout services, other than for advertising purposes; news reporters services; on-line publication of electronic books and journals; organization of competitions [education or entertainment]; organization of exhibitions for cultural or educational purposes; photographic reporting; photography; practical training [demonstration]; providing on-line electronic publications, not downloadable; publication of books; publication of texts, other than publicity texts; religious education; vocational guidance [education or training advice]; writing of texts.

45 – Personal background investigations; personal growth and motivation consultancy services; providing information in the field of self-knowledge and self-improvement.

---

(260) AM 2018 92038 A

(800) 1341246

(891) 2016 12 20

(731) SAAME TOOLS (SHAANXI) IMPORT & EXPORT CO., LTD.

Room 11701, Ximei Building, No.99, Changle Middle Road, Xincheng District Shaanxi, China

(540)

**MAZING**

(591) Black and white

(531) 27.05.01

(511)

8 – Hand instruments, namely abrading instruments; wrenches; lifting jacks, hand-operated; hand tools, hand-operated; scissors; beard clippers; hand pumps; cutlery; garden tools, hand-operated; agricultural implements, hand-operated.

---

(260) AM 2018 92042 A

(800) 1341298

(891) 2016 11 29

(731) Compagnie des Montres Longines, Francillon S.A. (Longines Watch Co., Francillon Ltd.) CH-2610 Saint-Imier, Switzerland

(540)

**LONGINES**



(591) Black and white

(531) 03.07.17; 27.05.17

(511)

9 – Apparatus for recording, transmission and reproduction of sound or images; electronic payment processing apparatus, apparatus for processing cashless payment transactions; magnetic recording media, sound recording disks; compact disks, DVDs and other digital recording media; apparatus used for playing compressed sound files (MP3 files); calculating machines and data processing equipment, software; games for mobile telephones, for computers and for digital personal stereos; electronic game software for mobile telephones, for computers and for digital personal stereos; computers, portable computers, handheld computers, mobile computers, personal computers, wrist computers, smartwatches, electronic tablets and computerized and mobile devices, digital personal stereos, mobile telephones and new-generation mobile telephones with greater functionality (smartphones); telecommunication apparatus and instruments; apparatus for recording, transmission, reproduction of sound or images, particularly mobile telephones and new-generation mobile telephones with greater functionality (smartphones); handheld electronic apparatus for accessing the Internet and sending, receiving, recording and storing short messages, electronic messages, telephone calls, faxes, video-conferences, images, sounds, music, text and other digital data; handheld electronic apparatus for wireless reception, storage and transmission of data or messages; handheld electronic apparatus for monitoring or organizing personal information; handheld electronic apparatus for global positioning

(GPS) and displaying maps and transport information; handheld electronic devices for detection, storage, monitoring, surveillance and transmission of data relating to user activity, namely position, itinerary, distance traveled, heart rate; covers for computers, portable and mobile telephones; optical apparatus and instruments, particularly spectacles, sunglasses, magnifying glasses; cases for spectacles, sunglasses and magnifying glasses; batteries for electronic apparatus and computers, batteries for timepieces and chronometric instruments.

14 – Precious metals and their alloys and goods made of these materials or coated therewith included in this class, namely figurines, trophies; jewelry, namely rings, earrings, cuff links, bracelets, charms, brooches, chains, necklaces, tie pins, tie clips, jewelry caskets (cases), cases; precious stones, semi-precious stones; timepieces and chronometric instruments, namely chronometers, chronographs, clocks, watches, bracelets, wall clocks, alarm clocks as well as parts and accessories for the aforesaid goods, namely hands, anchors, pendulums, barrels, watch cases, watch bracelets, watch dials, clockworks, watch chains, movements for timepieces, watch springs, watch glasses, presentation cases for timepieces, cases for timepieces.

35 – Wholesale and retail sale services in stores and via computer networks, by catalog, by mail, by telephone, by radio and television and by other electronic means for timepieces and jewelry products; presentation of timepieces and jewelry products on all communication media for retail sale; sales promotion for others; promotion of sales of jewelry and timepieces for others; advertising, marketing and public relations services; commercial business management; commercial administration; office functions; organization of exhibitions for commercial or advertising purposes.

---

(260) AM 2018 92043 A

(800) 1341848

(891) 2016 12 16

(731) SOREMARTEC SA

Findel Business Center, Complexe B,

Rue de Trèves FINDEL L-2632, Luxembourg

(540)

## **FERRERO GOLDEN GALLERY MOSAICO**

(591) Black, white

(511)

30 – Pastry and confectionery, chocolate and chocolate-based products, cocoa and cocoa-based products, filled wafers, wafers coated with chocolate, pralines, sweets, edible ices.

(260) AM 2018 92044 A

(800) 1341302

(891) 2017 01 06

(731) OrientSwiss SA

Rue Caroline 15 A, c/o Mehrzad Khoi

CH-1003 Lausanne, Switzerland

(540)



(591) Green and gray

(531) 24.15.01; 24.15.08; 24.17.08; 26.01.06;

27.05.08; 27.05.17; 29.01.13

(511)

9 – E-commerce software and application software for mobile telephones enabling users to carry out commercial transactions by electronic means via a global computer network.

35 – Online sales, namely operating online marketplaces for sellers and buyers of the following goods: e-commerce software and application software for mobile telephones enabling users to carry out commercial transactions by electronic means via a global computer network; online sales services in which sellers present the following goods: e-commerce software and application software for mobile telephones enabling users to carry out commercial transactions by electronic means via a global computer network, to be offered for sale and purchase or for bidding conducted via the Internet to facilitate the sale of said goods and services by others via a computer network; advertising, promotional and marketing services via the Internet; provision of space on web sites for advertising of the following goods: e-commerce software and application software for mobile telephones enabling users to carry out commercial transactions by electronic means via a global computer network.

38 – Telecommunication services, namely electronic transmission of data and information; electronic messaging; provision of an online interactive bulletin board for transmission of messages among computer users concerning the trading and sale of goods and services via a global computer network.

---

(260) AM 2018 92045 A

(800) 1341860

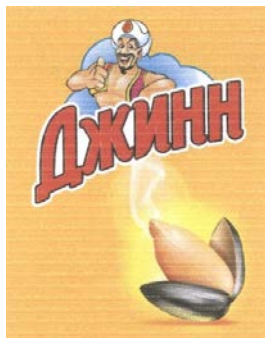
(891) 2016 09 30

(731) VOLKOV ALEKSEY EVGENYEVICH

ul. Uritskogo, d.7a, kv.52, g. Zlatoust

RU-456217 Chelyabinskaya obl., Russian Federation

(540)



(591) Black, grey, light grey, white, yellow, orange, light orange, red, blue, pink, beige, light brown

(531) 02.01.04; 02.01.07; 02.01.08; 02.01.22; 05.07.01; 05.07.06; 29.01.15

(511)

29 – Seeds, prepared; sunflower seeds, prepared.

35 – Retail or wholesale services for prepared seeds and prepared sunflower seeds; presentation of goods, including presentation of prepared seeds and prepared sunflower seeds, on communication media, for retail purposes; sales promotions at point of purchase or sale of prepared seeds and prepared sunflower seeds, for others; advertising of prepared seeds and prepared sunflower seeds; television advertising of prepared seeds and prepared sunflower seeds; procurement services for others, including prepared seeds and prepared sunflower seeds procurement services [purchasing goods and services for other businesses

(260) AM 2018 92046 A

(800) 1341329

(891) 2016 11 17

(731) Telia Company AB

Stjärntorget 1 SE-169 79 Solna, Sweden

(540)



(591) White and purple

(531) 26.03.06; 26.03.12; 26.13.25; 27.05.17; 29.01.12

(511)

9 – Answering machines; communications equipment; data processing equipment and accessories (electrical and mechanical); signal cables for IT, AV and telecommunication; encoding and decoding apparatus and instruments; digital input and output scanners; prerecorded data carriers for use with computers; electronic encryption units; signal decoders; receiving terminals for signals; digital signal processing apparatus; software for commerce over a global communications network; computer software packages; games software; downloadable software; computer telephony software; cell phones; holders adapted for mobile phones; radiotelephones; mobile tele-

phone batteries; mobile data communications apparatus; portable telecommunications apparatus; mobile data apparatus; mobile data receivers; computer application software for mobile telephones; downloadable ring tones for mobile phones; downloadable graphics for mobile phones; computer game software for use on mobile and cellular phones; application software for mobile phones; computer software to enable the transmission of photographs to mobile telephones; telecommunications apparatus for use with mobile networks; smart cards [integrated circuit cards].

35 – Business management; business administration; computerised office management; computerised file management; computerised file management; retail services in relation to audio-visual equipment; retail services in relation to information technology equipment; retail services in relation to computer software; retail services in relation to smartphones; retail services in relation to smartwatches; retail services in relation to downloadable music files; retail services in relation to downloadable electronic publications; retail services in relation to wearable computers; wholesale services in relation to computer software; telephone answering for unavailable subscribers; publicity services; rental of advertising time on communication media; rental of advertising space on-line; rental of advertising space on the internet; provision of advertising space by electronic means and global information networks; advertising by transmission of on-line publicity for third parties through electronic communications networks.

36 – Services for debiting and crediting financial accounts; accounts payable debiting services; electronic debit transactions; loan and credit, and lease-finance services; insurance services for mobile telephones; monetary affairs; issue of phone card services; financial lending services for personal purposes; financial loan services; financing of purchases; financing and loan services; credit financing; credit services; lending and loans services; corporate lending.

37 – Assembly, installation, maintenance, servicing and repair of installations and equipment in the field of data communications, telecommunications and communication networks; troubleshooting and maintenance for complex technical electronic equipment and measuring system equipment; computer hardware and telecommunication apparatus installation, maintenance and repair; advisory services relating to the installation of security and safety equipment; repair of electrical equipment and electrotechnical installations; construction of telecommunication towers; installation of communications network instruments; installing of electronic communications networks; mobile vehicle tuning services; installation of cellular communications systems.

38 – Electronic mail; transmission and reception (transmission) of database information via the telecommunications network; communications by fiber optic networks; automatic transfer of digital data using telecommunications channels; high bit-rate data transmission services for telecommunication network operators; data transmission services over telecommunications networks; information, consultancy and advisory services relating to telecommunications; providing video conferencing services; video communication services; providing facilities and equipment for video conferencing; teleconferencing and video conferencing services; telecommunications services provided via fiber optic, wireless and cable networks; leasing of cellular communications equipment; rental of telecommunications apparatus and installations; rental of computer communication apparatus and instruments; rental of communication apparatus and implements; rental of telecommunication equipment including telephones and facsimile apparatus; computer communication and internet access; provision and rental of telecommunications facilities and equipment; operating of electronic communications networks; operation of wide-band telecommunications networks; operating of electronic communications systems; operation of a telecommunications network; transmission of information by electronic communications networks; providing access to electronic communications networks; provision of central switching services for electronic communications networks; providing high speed access to computer and communication networks; providing telecommunications connections to a global communication network or databases; providing access to the internet and other communications networks; simulcasting broadcast television over global communication networks, the internet and wireless networks; transmission of messages, data and content via the internet and other communications networks; providing access to websites on the internet or any other communications network; leasing of cellular communications equipment; television broadcasting services for mobile phones; transmission of short messages [sms], images, speech, sound, music and text communications between mobile telecommunications devices; satellite transmission; communication services by satellite; communication services by satellite; radio communication; information about telecommunication.

41 – Entertainment; leasing of recordings of sound and images; leasing of radio and television programmes; online information relating to entertainment, electronic games and competitions via international networks; entertainment provided via a global communication network; games services provided via computer networks and global communication networks; providing interactive multi-player computer games via the internet and electronic communication networks.

42 – Scientific and industrial research; computer programming; technical research; IT security services in the nature of protection and recovery of computer data; technical research services; providing search engines for obtaining data via communications networks; computer systems integration services; configuration of computer software; rental of software; computer software design; diagnosis of faults in computer software; computer software design; computer software research; repair of computer software; updating of computer software; hosting services and software as a service and rental of software; data duplication and conversion services, data coding services; computer programming for data processing and communication systems; computer programming for telecommunications; computer programming in the medical field; analytical services relating to computer programmes; IT consultancy, advisory and information services; development, programming and implementation of software; rental of computer hardware and facilities; administration of user rights in computer networks.

45 – Security guard services; security services for the protection of property and individuals; security services for buildings.

---

(260) AM 2018 92048 A

(800) 1341866

(891) 2016 12 20

(731) GUIZHOU SOUTHWEST GOLD  
BUSINESS CENTER CO., LTD.  
No.7-2 Huangguoshu Building A, No.46-48  
Zhonghua North Road, Yunyan District,  
Guiyang City Guizhou Province, China

(540)

(591) Black, white

(531) 28.03

(511)

14 – Ingots of precious metals; precious metals, unwrought or semi-wrought; gold, unwrought or beaten; alloys of precious metal; silver, unwrought or beaten; works of art of precious metal; bracelets [jewellery, jewelry (Am.)]; chains [jewellery, jewelry (Am.)]; ornaments [jewellery, jewelry (Am.)]; rings [jewellery, jewelry (Am.)].

35 – Import-export agencies; auctioneering; intermediation services for others [purchasing goods and services for other businesses]; sales promotion for others.

---

(260) AM 2018 92049 A  
 (800) 1341890  
 (891) 2016 10 11  
 (731) Limited liability company Microfinance organization "GREENMONEY"  
 Ordjonikidze st., 5, flat 28, Kemerovo city  
 RU-650000 Kemerovo region, Russian Federation

(540)



(591) Green, pink and white.

(531) 05.03.14; 27.05.15; 27.05.17; 29.01.12

(511)

36 – Credit bureau services; real estate agency services; debt collection agency services; financial analysis; rental of apartments; rental of real estate; rental of offices [real estate]; rental of farms; lease-purchase financing; savings bank services; accommodation bureau services [apartments]; rent collection; issuance of travellers' cheques; issuance of credit cards; issuance of tokens of value; capital investment; financial investment; insurance information; financial risks consultancy upon investment; financial information; clearing, financial; debt advisory services; loan advice; insurance consultancy; financial consultancy; stock exchange quotations; lending against security; business liquidation services, financial; brokerage; financial management; exchanging money; online banking; processing of debit card payments; processing of credit card payments; factoring; arranging of loans; organization of collections; antique appraisal; jewelry appraisal; financial evaluation of standing timber; stamp appraisal; real estate appraisal; numismatic appraisal; art appraisal; financial evaluation of wool; financial evaluation [insurance, banking, real estate]; repair costs evaluation; electronic funds transfer; surety services; securities brokerage; real estate brokerage; brokerage of carbon credits; insurance brokerage; loans [financing]; providing loan and credit facilities; pawnbrokerage; check verification; charitable fund raising; financial sponsorship; mortgage banking; installment loans; insurance underwriting; life insurance underwriting; health insurance underwriting; accident insurance underwriting; marine insurance underwriting; fire insurance underwriting; apartment house management; real estate management; actuarial services; banking; investment services; stock brokerage services; retirement payment services; fiduciary; provident fund services; financial customs brokerage services; mutual funds; financing services; safe deposit services; deposits of valuables; fiscal valuation.

(260) AM 2018 92063 A  
 (800) 1342003  
 (891) 2016 11 11  
 (731) APPLE INC.  
 1 Infinite Loop Cupertino CA 95014, USA  
 (540)



(591) Pink, red, white, dark blue and light blue

(531) 02.09.01; 26.04.04; 26.04.09; 26.04.14;

26.11.11; 29.01.13

(511)

9 – Computer software used in developing other software applications; application development software.

(260) AM 2018 92064 A  
 (800) 1342023  
 (891) 2016 12 20  
 (731) SICHUAN WANGSHI ANIMAL HEALTH CO., LTD.  
 No.99, 2nd Sec., Changcheng Road, Southwest Airport Economic Development Zone, Shuang-Liu County, Chengdu Sichuan Province, China  
 (540)



(531) 03.01.15; 03.13.04; 27.05.08

(511)

5 – Vitamin preparations; biocides; teeth filling material; biological preparations for medical purposes; antimicrobial wipes; dietetic substances adapted for medical use; cattle washes; pesticides; veterinary preparations; disinfectants.

(260) AM 2018 92072 A  
 (800) 1342104  
 (891) 2017 01 13  
 (731) SUBWAY IP INC.  
 700 South Royal Poinciana Blvd. Ste 500  
 Miami Springs FL 33166, USA

(540)



(591) White and yellow

(531) 24.15.02; 24.15.13; 29.01.12

(511)

29 – Salads made with various ingredients, namely, fruit, garden and vegetable salads; milk; potato chips; processed apples.

30 – Sandwiches and sandwich wraps for resumption on or off the premises; baked goods, namely, cakes, pastries and cookies for consumption on or off the premises; snacks, namely, pretzels, corn chips, tortilla chips, puffed corn curls, popped popcorn, cakes, pastries, cookies; dressings for salads, salad dressings used on salads, combination meals consisting primarily of a sandwich and also including a snack item, namely, pretzels, corn chips, tortilla chips, puffed corn curls, popped popcorn, cakes, pastries or cookies and a soft drink for consumption on or off the premises, coffee, tea, iced tea.

32 – Beverages, namely, fruit juices, vegetable juices, soft drinks, bottled drinking water, non-alcoholic tea flavored beverages, non-alcoholic coffee flavored beverages, all for consumption on or off the premises.

35 – Consumer loyalty services for commercial, promotional advertising purposes, namely, providing an incentive rewards programs for customers through the issuance and processing of customer loyalty points and credits and loyalty cards for the purchase of goods and services, and promoting the sales of goods and services by means of providing contests, sweepstakes, games and prizes; promoting the sale of goods and services through the administration of an incentive rewards program enabling participants to obtain discounts and complimentary goods and services through membership, all of the foregoing in the field of restaurant services; online ordering services in the field of restaurant take-out and delivery; retail services relating to food and drink.

43 – Restaurant services, namely, providing of food and beverages for consumption on and off the premises; restaurant services featuring sandwiches; catering services; eat-in and take-out food restaurant services; restaurants featuring home delivery services.

(260) AM 2018 92078 A

(800) 1342107

(891) 2017 01 23

(731) Kuttenteuler Mineralölhandels- und Tankstellenbetriebsgesellschaft mit beschränkter Haftung  
Dieselstr. 10, 50996 Köln,  
Germany

(540)

## KUTTENKEULER

(591) Black, white

(511)

1 – Chemicals used in industry, science and photography, as well as in agriculture, horticulture and forestry; chemical additives for fuels, motor fuels and motor spirits; chemical additives for oils; chemical additives for fuels; anti-knock substances for internal combustion engines; engine- decarbonising chemicals; transmission fluids; power steering fluids; antifreeze; antifreeze for motor vehicle radiators; chemical de-icing preparations; fluids for hydraulic circuits; chemical coolants and chemical cooling additives; coolants for vehicle engines; tensio-active agents; oil-purifying chemicals; chemical agents, preparations and plastics for absorbing oil; chemical rubber care preparations; anti-boil preparations for engine coolants; tire repairing compositions; detergent additives to gasoline [petrol]; automobile body fillers; combusting preparations (chemical additives to motor fuel); fire extinguishing compositions; fireproofing preparations; adhesives for use in industry.

4 – Mineral oils; industrial oils and greases; lubricants; dust absorbing, wetting and binding compositions; fuels (including motor spirit) and illuminants; non-chemical additives for fuels, motor fuels and motor spirits; non-chemical additives for oils; lubricants, namely motor oils, automotive engine oils, cylinder oils, lubricants being gear oils, lubricating grease, lubricating oils; liquid and gaseous fuels; fuels, in particular liquid and gaseous fuels for internal combustion engines and components therefor; electrical energy; fuel oils, heating oils.

35 – Retail services in the fields of chemicals, coating preparations, pharmaceuticals, cosmetics and household goods, fuels, motor fuels and motor spirits; retail services via the internet in the fields of chemicals, coating preparations, pharmaceuticals, cosmetics and household goods, fuels, motor fuels and motor spirits; wholesale services in the fields of chemicals, coating preparations, pharmaceuticals, cosmetics and household goods, fuels, motor fuels and motor spirits; wholesale services via the internet in the fields of chemicals, coating preparations, pharmaceuticals, cosmetics and household goods, fuels, motor fuels and motor spirits; online mail order retail services and mail order retail services via catalogues in the fields of chemicals, coating prepa-



rations, pharmaceuticals, cosmetics and household goods, fuels, motor fuels and motor spirits; retail services in the fields of chemicals and chemical preparations for operating and for maintenance of vehicles, mineral oils, industrial oils and greases, lubricants and lubricating agents, liquid and gaseous fuels, fuel oils, heating oils, fuels (including motor spirit); retail services in the fields of motor fuels, motor spirits and illuminants, additives for fuels, additives for motor fuels, additives for motor spirits, additives for oils, additives for coolants, additives for vehicle fuels, additives for liquid fuels, additives for fuel oils and additives for heating oils; retail services via the internet in the fields of chemicals and chemical preparations for operating and for maintenance of vehicles, mineral oils, industrial oils and greases, lubricants and lubricating agents, liquid and gaseous fuels, fuel oils, heating oils, fuels (including motor spirit); retail services via the internet in the fields of motor fuels, motor spirits and illuminants, additives for fuels, additives for motor fuels, additives for motor spirits, additives for oils, additives for coolants, additives for vehicle fuels, additives for liquid fuels, additives for fuel oils and additives for heating oils; wholesale services in the fields of chemicals and chemical preparations for operating and for maintenance of vehicles, mineral oils, industrial oils and greases, lubricants and lubricating agents, liquid and gaseous fuels, fuel oils, heating oils, fuels (including motor spirit); wholesale services in the fields of motor fuels, motor spirits and illuminants, additives for fuels, additives for motor fuels, additives for motor spirits, additives for oils, additives for coolants, additives for vehicle fuels, additives for liquid fuels, additives for fuel oils and additives for heating oils; wholesale services via the internet in the fields of chemicals and chemical preparations for operating and for maintenance of vehicles, mineral oils, industrial oils and greases, lubricants and lubricating agents, liquid and gaseous fuels, fuel oils, heating oils, fuels (including motor spirit); wholesale services via the internet in the fields of motor fuels, motor spirits and illuminants, additives for fuels, additives for motor fuels, additives for motor spirits, additives for oils, additives for coolants, additives for vehicle fuels, additives for liquid fuels, additives for fuel oils and additives for heating oils; online mail order retail services and mail order retail services via catalogues in the fields of chemicals and chemical preparations for operating and for maintenance of vehicles, mineral oils, industrial oils and greases, lubricants and lubricating agents, liquid and gaseous fuels, fuel oils, heating oils, fuels (including motor spirit); online mail order retail services and mail order retail services via catalogues in the fields of motor fuels, motor spirits and illuminants, additives for fuels, additives for motor fuels, additives for motor spirits, additives for oils, additives for coolants, additives for vehicle fuels, additives for liquid

fuels, additives for fuel oils and additives for heating oils.

(260) AM 2018 92079 A

(800) 1342135

(891) 2016 05 25

(731) PREMIQAMED HOLDING GMBH

Heiligenstädter Straße 46-48, A-1190 Wien,  
Austria

(540)

## **PREMIQAMED GROUP**

(591) Black, white

(511)

5 – Pharmaceuticals; sanitary preparations for medical purposes; dietetic substances adapted for medical use; plasters, materials for dressings; disinfectants.

10 – Surgical and medical instruments and apparatus, orthopaedic articles; testing apparatus for medical purposes.

35 – Advertising; business management; business administration; office functions; business management and organization consultancy, business management consultancy, personnel management consultancy, advisory services for business management, procurement services for others, professional business consultancy, planning of hospitals, sanatoriums, rehabilitation centres and convalescent homes with regard to organisational and professional business matters; franchising, namely providing and dissemination of professional business know-how; business project management for construction projects.

36 – Financing services; development of usage concepts for hospitals, sanatoriums, rehabilitation centres and convalescent homes with regard to financial matters; brokerage of financial business investments, in particular concerning hospitals, sanatoriums, rehabilitation centres and convalescent homes; franchising, namely providing of financial know-how, financial analysis, financial consultancy.

37 – Maintenance, repair and cleaning services in the domestic sector (caretaker services); installation, maintenance and repair of computer hardware; operating disinfecting and sterilisation facilities.

42 – Scientific services and research, namely in the field of health care and medicine; scientific testing services, namely in the field of health care and medicine; medical research laboratory services, scientific laboratory services, updating of computer software; computer software consultancy, consultancy relating to the design of websites; design and creation of websites; design of computer software; services of an EDP programmer; electronic data back-up; design and development of computer hardware and software; installation and maintenance of software; server administration; technical project management

in the field of electronic data processing; rental of computer hardware and software; material testing and quality control; consultancy in the field of telecommunications engineering; technological consultancy; computer hardware and computer software consultancy; technical project planning of hospitals, sanatoriums, rehabilitation centres and convalescent homes.

43 – Services for providing food and drink; temporary accommodation; services for providing food and drinks in cafés, cafeterias, canteens, restaurants, snack bars, self-service restaurants and fast food restaurants; catering services.

44 – Medical services; hygienic and beauty care for human beings; cosmetic and plastic surgery; hospital services, medical services, medical clinic services and hospital services; medical nursing; sanatorium services, health center services, midwife services, chiropractic, dentistry services, beauty salon services, health counselling, in vitro fertilization services, nursing services, orthodontic services, physical therapy, plastic and aesthetic surgery, consultancy in the field of health care and medicine; medical and clinical examinations; medical care.

45 – Security services for the protection of property and individuals; night guard services; security consultancy, intellectual property consultancy, litigation services, licensing of intellectual property, mediation, legal research, arbitration services, monitoring intellectual property rights for legal advisory purposes.

(260) AM 2018 92080 A

(800) 1342136

(891) 2016 07 22

(731) XIAOMI INC.

Floor 13, Rainbow City Shopping Mall II of  
China Resources, No.68, Qinghe Middle Street,  
Haidian District 100085 Beijing, China

(540)



(591) Black, white

(531) 27.05.01; 27.05.17; 27.05.23

(511)

12 – Electric vehicles; cars; pumps for bicycle tires; bicycles; aerial conveyors; strollers; sleighs [vehicles]; tires; repair outfits for inner tubes; air vehicles; water vehicles; safety seats for children, for vehicles; sports cars; tricycles; wheelchairs; trolleys; adhesive

rubber patches for repairing inner tubes; windscreens; upholstery for vehicles; cars.

14 – Jewelry boxes; bracelets [jewellery, jewelry (Am.)]; brooches [jewellery, jewelry (Am.)]; paste jewellery [costume jewelry (Am.)]; chains [jewellery, jewelry (Am.)]; charms [jewellery, jewelry (Am.)]; necklaces [jewellery, jewelry (Am.)]; tie clips; coins; key rings [trinkets or fobs]; badges of precious metal; tie pins; pins [jewellery, jewelry (Am.)]; earrings; hat ornaments of precious metal; rings [jewellery, jewelry (Am.)]; ornaments [jewellery, jewelry (Am.)]; medals; clocks; wristwatches; stopwatches; boxes for timepieces; watch cases [parts of watches]; watches; clocks and watches, electric; watch chains; watch bands; precious metals, unwrought or semi-wrought; ingots of precious metals; iridium; gold, unwrought or beaten; osmium; palladium; platinum [metal]; rhodium; alloys of precious metal; silver, unwrought or beaten; spun silver [silver wire]; silver thread [jewellery, jewelry (Am.)]; shoe ornaments of precious metal; amulets [jewellery, jewelry (Am.)]; cloisonne jewellery [jewelry (Am.)]; chronoscopes; alarm clocks; silver accessories; cap jewelry; timer (watch); clock and watch box (gift); clockwork; clock box.

16 – Mats for beer glasses; pamphlets; booklets; manuals [handbooks]; bookmarkers; printed matter; scrapbook albums; envelopes [stationery]; postcards; flags of paper; albums; calendars; periodicals; posters; printed publications; prospectuses; atlases; books; pictures; lithographic works of art; bags [envelopes, pouches] of paper or plastics, for packaging; boxes of cardboard or paper; pencil sharpening machines, electric or non-electric; stationery; paper-clips; office requisites, except furniture; files [office requisites]; folders for papers; writing cases [stationery]; document files [stationery]; bookends; staples for offices; money clips; stamps [seals]; pencils; steel pens; gummed tape [stationery]; adhesive tape dispensers [office requisites]; paper; carbon paper; placards of paper or cardboard; ink; drawing instruments; painters' easels; typewriters, electric or non-electric; teaching materials [except apparatus]; modelling materials; rosaries; note books; almanacs; comic books; paper knives [cutters] [office requisites]; adhesive tapes for stationery or household purposes; compasses for drawing; toilet paper; towels of paper; greeting cards; cards; table coaster; notebook or drawing book; tear-off calendar; hand pressure stapler (office equipment); stamper; notes.

18 – Net bags for shopping; attaché cases; travelling trunks; travelling sets [leatherware]; pocket wallets; handbags; school satchels; school book bags; suitcases; key cases; bags [envelopes, pouches] of leather, for packaging; rucksacks; haversacks; umbrellas; fur; mountaineering sticks; leather leashes; harness straps; straps of leather [saddlery]; clothing for pets; gut for making sausages; animal skins; leather, un-

worked or semi-worked; fur; moleskin [imitation of leather]; imitation leather; pocket wallets; trimmings of leather for furniture; boxes of leather or leather-board; key cases; card cases [notecases]; umbrella covers; horse blankets; small wallet; small bag.

20 – Stands for calculating machines; baskets, not of metal; picture frames; photograph frames; wind chimes [decoration]; works of art of wood, wax, plaster or plastic; busts of wood, wax, plaster or plastic; pillows; bolsters; tool handles, not of metal; plaited straw, except matting; nameplates, not of metal; decorations of plastic for foodstuffs; kennels for household pets; identification bracelets, not of metal; funerary urns; hooks, not of metal, for clothes rails; curtain hooks; door handles, not of metal; furniture; counters [tables]; divans; cradles; mirrors [looking glasses]; stuffed animals; mannequins; pet cushions; cushions; sleeping bags for camping; chests for toy; pillow cushion.

21 – Bowls [basins]; basins [bowls]; blenders, non-electric, for household purposes; utensils for household purposes; lunch boxes; chopsticks; kitchen utensils; containers for household or kitchen use; pitchers; jugs; candy boxes; urns; tableware, other than knives, forks and spoons; cups; dishes; pots; fruit cups; bottles; glass bulbs [receptacles]; boxes of glass; ceramics for household purposes; porcelain ware; pottery; liqueur sets; tea services [tableware]; tea caddies; drinking glasses; coffee services [tableware]; teapots; candelabra [candlesticks]; clothes drying racks; vases; combs; cosmetic utensils; works of art of porcelain, ceramic, earthenware or glass toothbrushes; toothpick holders; cleaning instruments, hand-operated; polishing apparatus and machines, for household purposes, non-electric; crystal [glassware]; half-produced glass tubes; birdcages; indoor aquaria; insect traps; glasses [receptacles]; pepper pots; waste paper baskets; window-boxes; dustbins; toothbrushes, electric; toothpicks; make-up removing appliances; gloves for household purposes.

25 – Wimples; clothing; wet suits for water-skiing; waterproof clothing; wedding dresses; sleep masks; sashes for wear; chasubles; shower caps; overalls; overcoats; shirts [clothing]; vests; tee-shirts; knitwear [clothing]; sports jerseys; outerclothing; skirts; jackets [clothing]; clothing of leather; underwear; trousers; boots for sports; footwear; boots; sports shoes; slippers; shoes; hoods [clothing]; headgear for wear; hats; caps [headwear]; hosiery; stockings; socks; gloves [clothing]; neckties; mantillas; scarfs; headscarves; money belts [clothing]; girdles; short-sleeve shirts; ponchos; pajamas (Am.); paper clothing; babies' pants [underwear]; cyclists' clothing; ski boots; non-slipping devices for footwear; maniples; stage costume; semi unified boot; sweater; covert topcoat.

28 – Apparatus for games; jigsaw puzzles; dolls; play balloons; toys; games; mobiles [toys]; plush toys; playing cards; board games; skateboards; protective paddings [parts of sports suits]; body-building apparatus; archery implements; swimming pools [play articles]; ornaments for Christmas trees, except illumination articles and confectionery; scratch cards for playing lottery games; fishing tackle; camouflage screens [sports articles]; portable games with liquid crystal displays; radio-controlled toy vehicles; mah-jong; chess games; rackets; roller skates; shin guards [sports articles]; lines for fishing; living room game toys; board games; poker; protective pad (complete set of sportswear components); sports racket; plastic race track; sweat absorption band for racket; swimming belts; cheering squad toy.

36 – Financial management; financial information; financial evaluation [insurance, banking, real estate]; financial consultancy; business liquidation services, financial; repair costs evaluation [financial appraisal]; banking; investment of funds; insurance consultancy; insurance information; insurance services; financial analysis; financing services; lease-purchase financing; stock exchange quotations; capital investment; rent collection; home banking; exchanging money; electronic funds transfer; real estate management; brokerage; surety services; trusteeship; deposits of valuables; art appraisal; stamp appraisal; numismatic appraisal; jewellery [jewelry (Am.)] appraisal; antique appraisal; real estate brokerage; charitable fund raising; pawnbrokerage; lending against security; processing of credit card payments; health insurance; savings bank; credit card service.

---

(260) AM 2018 92081 A

(800) 1342147

(891) 2016 10 11

(731) ASSOCIATION CRAFT DEPOT

Khorochevskoe chosse , d. 32A RU-123007  
Moscou, Russian Federation

(540)

«КРАФТДЕПО»

(591) Black, white

(511)

32 – Beers; de-alcoholized beer; beer-based beverages.

---

(260) AM 2018 92083 A

(800) 896377

(891) 2017 01 25

(731) NOVARTIS AG

CH-4002 Basel, Switzerland

(540)

**VOTRIENT**

(591) Black, white  
(511)  
5 – Pharmaceutical and medicinal preparations and substances; vaccines.

(260) AM 2018 92084 A  
(800) 1031418  
(891) 2017 04 12  
(731) MOLICOPI, S.L.

Galileo Galilei, 2 E-03203 ELCHE (Alicante), Spain

(540)



(591) Red and white  
(531) 03.07.06; 03.07.16; 25.05.01; 26.04.15;  
26.04.22; 26.04.24; 27.05.24; 29.01.12

(511)

18 – Leather and imitation leather, goods made thereof not included in other classes; animal skins and hides; bags, handbags, trunks and suitcases; umbrellas, parasols, walking sticks; whips and saddlery; tanned hides; wraps of skins and hides (furs); leather cords; leather lining for footwear; leather lacing; leather straps; leather covers.

25 – Footwear, except orthopaedic footwear; clothing and headwear; iron fittings for footwear; non-slip devices for footwear; reinforcements for footwear; tips for footwear; shoes; espadrilles; boots; botlegs; clogs; sneakers; ankle boots; sandals; beach footwear; bath slippers; sports footwear; gym shoes; football shoes; ski boots; sports shoes; heels; soles; insoles; belts; bathing suits; cyclists' clothing; water-skiing suits; blouses; sweaters; socks; stockings; neckerchiefs pocket handkerchiefs to be used with accessories such as bags and handkerchiefs used as belts; suspenders; underclothing; shirts; neckties; sashes for wear; scarves; stoles; neck warmers; skirts; swimsuits; beach clothes; knitwear; suits; uniforms; short-sleeved shirts; hats; hat frames; head-dresses; top hats.

35 – Sales promotion for third parties and exclusive representations, including via commercial advertisements and online advertisements; services for the wholesale, retail sale and sale via global communications networks; advertising services; business services including via global communications networks; business services, including the promotion of the goods and services of third parties via online notices and advertisements and posting on an electronic site accessible via computer networks; auction sales services accessible via global communications networks; professional business consulting; organisation of exhibitions for commercial or advertising purposes including via global networks; commercial

information; distribution of samples, advertisements and other advertising materials; cost-price analyses; market research and studies; efficiency experts; transcription and compilation of written communications, recordings and all types of data; advertising via all means of dissemination, relating to all kinds of goods or services, particularly footwear, clothing, headgear, accessories for those goods bags, perfume-ry, timepieces and jewellery; import and export services; assistance with the running or management of an industrial or commercial company; franchising assistance.

(260) AM 2018 92085 A

(800) 1055835

(891) 2017 03 06

(731) RAIDLIGHT (Société par Actions Simplifiée)  
Chemin de Perquelin, La Mouquetière  
F-38380 Saint-Pierre-de-Chartreuse, France

(540)



(591) Black, white

(531) 24.15.03; 26.04.24; 27.05.24

(511)

25 – Clothing, boots for sports, headgear for wear, socks.

(260) AM 2018 92087 A

(800) 1188571

(891) 2017 01 12

(731) ZHEJIANG ODM TRANSMISSION  
TECHNOLOGY CO., LTD.

No.1000 Changsheng Road, Pinghu Economic  
Development Zone 314200 Zhejiang, China

(540)



(591) Black, white

(531) 15.07.01; 18.01.21; 26.11.01; 27.05.02

(511)

7 – Carburetors; dynamos; cylinder heads for engines; pistons [parts of machines or engines]; pumps [parts of machines, engines or motors]; vacuum pumps [machines]; connecting rods for machines,

motors and engines; universal joints [cardan joints];  
shock absorbers for machines.

12 – Hubs for vehicle wheels; vehicle chassis; gearing for land vehicles; clutches for land vehicles; brakes for vehicles; propulsion mechanisms for land vehicles; shock absorbers for automobiles; gear boxes for land vehicles; steering wheels for vehicles; transmission shafts for land vehicles.

---

---

**INTERNATIONAL TRADEMARKS PROTECTED IN GEORGIA**

(260) AM 2018 82689 A  
(800) 1252124  
(151) 2015 02 02  
(181) 2025 02 02  
(891) 2015 02 02  
(511) 09, 16, 25, 28, 38, 41

---

(260) AM 2018 88877 A  
(800) 1311496  
(151) 2016 08 22  
(181) 2026 08 22  
(891) 2016 08 22  
(511) 25

---

(260) AM 2018 83489 A  
(800) 1260363  
(151) 2014 11 06  
(181) 2024 11 06  
(891) 2014 11 06  
(511) 08, 41, 42

---

(260) AM 2018 88884 A  
(800) 1311801  
(151) 2016 04 29  
(181) 2026 04 29  
(891) 2016 04 29  
(511) 25

---

(260) AM 2018 83602 A  
(800) 1261499  
(151) 2015 06 24  
(181) 2025 06 24  
(891) 2015 06 24  
(511) 05

---

(260) AM 2018 88932 A  
(800) 817260  
(151) 2016 04 25  
(181) 2026 04 25  
(891) 2016 04 25  
(511) 30

---

(260) AM 2018 84244 A  
(800) 1267783  
(151) 2015 07 29  
(181) 2025 07 29  
(891) 2015 07 29  
(511) 30

---

(260) AM 2018 89023 A  
(800) 1314019  
(151) 2016 08 12  
(181) 2026 08 12  
(891) 2016 08 12  
(511) 34

---

(260) AM 2018 86325 A  
(800) 1288409  
(151) 2015 08 27  
(181) 2025 08 27  
(891) 2015 08 27  
(511) 03, 05, 21, 25, 35

---

(260) AM 2018 89411 A  
(800) 1316988  
(151) 2016 07 11  
(181) 2026 07 11  
(891) 2016 07 11  
(511) 30

---

(260) AM 2018 86776 A  
(800) 1293959  
(151) 2016 01 15  
(181) 2026 01 15  
(891) 2016 01 15  
(511) 30

---

(260) AM 2018 89432 A  
(800) 1318493  
(151) 2016 06 14  
(181) 2026 06 14  
(891) 2016 06 14  
(511) 30

---

(260) AM 2018 87032 A  
(800) 1295624  
(151) 2016 01 05  
(181) 2026 01 05  
(891) 2016 01 05  
(511) 03

---

(260) AM 2018 89437A  
(800) 1318186  
(151) 2016 02 02  
(181) 2026 02 02  
(891) 2016 02 02  
(511) 25, 28

---

(260) AM 2018 89444 A  
(800) 1318359  
(151) 2015 11 30  
(181) 2025 11 30  
(891) 2015 11 30  
(511) 07, 11, 12, 42

---

(260) AM 2018 89445 A  
(800) 1318521  
(151) 2016 06 24  
(181) 2026 06 24  
(891) 2016 06 24  
(511) 32, 33

---

(260) AM 2018 89480 A  
(800) 1317761  
(151) 2016 08 29  
(181) 2026 08 29  
(891) 2016 08 29  
(511) 05

---

(260) AM 2018 89562 A  
(800) 1319358  
(151) 2016 09 26  
(181) 2026 09 26  
(891) 2016 09 26  
(511) 07

---

(260) AM 2018 89570 A  
(800) 1318611  
(151) 2015 01 13  
(181) 2025 01 13  
(891) 2015 01 13  
(511) 03, 05, 11, 21

---

(260) AM 2018 89614 A  
(800) 1319482  
(151) 2016 05 16  
(181) 2026 05 16  
(891) 2016 05 16  
(511) 07, 09, 11

---

(260) AM 2018 89735 A  
(800) 1320694  
(151) 2016 08 23  
(181) 2026 08 23  
(891) 2016 08 23  
(511) 05

---

(260) AM 2018 89737 A  
(800) 1320249  
(151) 2016 02 03  
(181) 2026 02 03

(891) 2016 02 03  
(511) 05

---

(260) AM 2018 89739A  
(800) 1320271  
(151) 2015 11 30  
(181) 2025 11 30  
(891) 2015 11 30  
(511) 09, 35, 39

---

(260) AM 2018 89740 A  
(800) 1320695  
(151) 2016 08 23  
(181) 2026 08 23  
(891) 2016 08 23  
(511) 05

---

(260) AM 2018 89742 A  
(800) 1320354  
(151) 2016 06 30  
(181) 2026 06 30  
(891) 2016 06 30  
(511) 03

---

(260) AM 2018 89744 A  
(800) 1320357  
(151) 2016 07 13  
(181) 2026 07 13  
(891) 2016 07 13  
(511) 16, 35, 41

---

(260) AM 2018 89745A  
(800) 1229116  
(151) 2014 09 12  
(181) 2024 09 12  
(891) 2016 07 22  
(511) 05, 10

---

(260) AM 2018 89746 A  
(800) 1307416  
(151) 2016 01 20  
(181) 2026 01 20  
(891) 2016 09 21  
(511) 03

---

(260) AM 2018 89749 A  
(800) 1320362  
(151) 2016 07 21  
(181) 2016 07 21  
(891) 2016 07 21  
(511) 03, 05

---

(260) AM 2018 89750 A  
(800) 1320388  
(151) 2016 08 23  
(181) 2026 08 23  
(891) 2016 08 23  
(511) 05

---

(260) AM 2018 89752 A  
(800) 1320431  
(151) 2016 08 22  
(181) 2026 08 22  
(891) 2016 08 22  
(511) 09

---

(260) AM 2018 89753 A  
(800) 1320449  
(151) 2016 02 25  
(181) 2026 02 25  
(891) 2016 02 25  
(511) 14, 35

---

(260) AM 2018 89754 A  
(800) 1319759  
(151) 2016 03 09  
(181) 2026 03 09  
(891) 2016 03 09  
(511) 09, 35

---

(260) AM 2018 89755A  
(800) 1319868  
(151) 2016 09 14  
(181) 2026 09 14  
(891) 2016 09 14  
(511) 33

---

(260) AM 2018 89756 A  
(800) 1319878  
(151) 2016 09 23  
(181) 2026 09 23  
(891) 2016 09 23  
(511) 12

---

(260) AM 2018 89757 A  
(800) 1319879  
(151) 2016 08 01  
(181) 2026 08 01  
(891) 2016 08 01  
(511) 01, 04

---

(260) AM 2018 89818 A  
(800) 1321305  
(151) 2016 06 14  
(181) 2026 06 14

(891) 2016 06 14  
(511) 05, 10

---

(260) AM 2018 89858 A  
(800) 1320817  
(151) 2015 12 16  
(181) 2025 12 16  
(891) 2015 12 16  
(511) 05

---

(260) AM 2018 89859 A  
(800) 1320818  
(151) 2016 01 13  
(181) 2026 01 13  
(891) 2016 01 13  
(511) 11, 19, 20

---

(260) AM 2018 89860 A  
(800) 1320845  
(151) 2016 04 28  
(181) 2026 04 28  
(891) 2016 04 28  
(511) 35, 44

---

(260) AM 2018 89862 A  
(800) 1320850  
(151) 2016 03 28  
(181) 2026 03 28  
(891) 2016 03 28  
(511) 07

---

(260) AM 2018 89863 A  
(800) 1320856  
(151) 2016 04 09  
(181) 2026 04 09  
(891) 2016 04 09  
(511) 09

---

(260) AM 2018 89864 A  
(800) 1320900  
(151) 2016 06 06  
(181) 2026 06 06  
(891) 2016 06 06  
(511) 09

---

(260) AM 2018 89865 A  
(800) 1320909  
(151) 2016 08 01  
(181) 2026 08 01  
(891) 2016 08 01  
(511) 05, 29, 31

---



(260) AM 2018 89866 A  
(800) 1320924  
(151) 2016 06 23  
(181) 2026 06 23  
(891) 2016 06 23  
(511) 18, 25

---

(260) AM 2018 89868 A  
(800) 1320978  
(151) 2016 09 14  
(181) 2026 09 14  
(891) 2016 09 14  
(511) 11

---

(260) AM 2018 89869 A  
(800) 1106229  
(151) 2012 01 06  
(181) 2022 01 06  
(891) 2016 09 08  
(511) 28, 31

---

(260) AM 2018 89870 A  
(800) 1320990  
(151) 2016 09 20  
(181) 2026 09 20  
(891) 2016 09 20  
(511) 03

---

(260) AM 2018 89871 A  
(800) 1321010  
(151) 2016 10 12  
(181) 2026 10 12  
(891) 2016 10 12  
(511) 03, 05, 44

---

(260) AM 2018 89872A  
(800) 1321015  
(151) 2016 02 03  
(181) 2026 02 03  
(891) 2016 02 03  
(511) 05

---

(260) AM 2018 89873 A  
(800) 1321041  
(151) 2016 08 29  
(181) 2026 08 29  
(891) 2016 08 29  
(511) 30

---

(260) AM 2018 89874 A  
(800) 1321043  
(151) 2016 02 02  
(181) 2026 02 02

(891) 2016 02 02  
(511) 36

---

(260) AM 2018 89875 A  
(800) 1321055  
(151) 2016 03 18  
(181) 2026 03 18  
(891) 2016 03 18  
(511) 03, 05, 16, 21

---

(260) AM 2018 89876 A  
(800) 1321071  
(151) 2016 05 26  
(181) 2026 05 26  
(891) 2016 05 26  
(511) 36, 37, 39

---

(260) AM 2018 89877 A  
(800) 1321072  
(151) 2016 06 01  
(181) 2026 06 01  
(891) 2016 06 01  
(511) 20

---

(260) AM 2018 89900 A  
(800) 1321966  
(151) 2016 06 29  
(181) 2026 06 29  
(891) 2016 06 29  
(511) 09, 42

---

(260) AM 2018 89902 A  
(800) 1321972  
(151) 2015 11 09  
(181) 2025 11 09  
(891) 2015 11 09  
(511) 06, 09, 35, 36, 37, 38, 41, 42, 45

---

(260) AM 2018 89903 A  
(800) 1322050  
(151) 2016 04 13  
(181) 2026 04 13  
(891) 2016 04 13  
(511) 01

---

(260) AM 2018 89905 A  
(800) 1322070  
(151) 2016 05 03  
(181) 2026 05 03  
(891) 2016 05 03  
(511) 12, 37

---

(260) AM 2018 89907 A  
(800) 1322089  
(151) 2016 05 13  
(181) 2026 05 13  
(891) 2016 05 13  
(511) 12, 37

---

(260) AM 2018 89908 A  
(800) 1322092  
(151) 2016 06 08  
(181) 2026 06 08  
(891) 2016 06 08  
(511) 05, 10

---

(260) AM 2018 89909 A  
(800) 1322093  
(151) 2016 06 08  
(181) 2026 06 08  
(891) 2016 06 08  
(511) 05, 10

---

(260) AM 2018 89911 A  
(800) 1322094  
(151) 2016 06 08  
(181) 2026 06 08  
(891) 2016 06 08  
(511) 05, 10

---

(260) AM 2018 89912 A  
(800) 1322095  
(151) 2016 06 08  
(181) 2026 06 08  
(891) 2016 06 08  
(511) 05, 10

---

(260) AM 2018 89916 A  
(800) 1322230  
(151) 2016 09 22  
(181) 2026 09 22  
(891) 2016 09 22  
(511) 04, 34

---

(260) AM 2018 89919 A  
(800) 1322316  
(151) 2016 04 21  
(181) 2026 04 21  
(891) 2016 04 21  
(511) 07, 11, 35

---

(260) AM 2018 89921 A  
(800) 1322409  
(151) 2016 09 02  
(181) 2026 09 02

(891) 2016 09 02  
(511) 44

---

(260) AM 2018 89924 A  
(800) 1322486  
(151) 2016 09 01  
(181) 2026 09 01  
(891) 2016 09 01  
(511) 05

---

(260) AM 2018 89925 A  
(800) 1322541  
(151) 2016 05 13  
(181) 2026 05 13  
(891) 2016 05 13  
(511) 03, 05, 44

---

(260) AM 2018 89928 A  
(800) 1322570  
(151) 2016 07 18  
(181) 2026 07 18  
(891) 2016 07 18  
(511) 14, 42

---

(260) AM 2018 89929 A  
(800) 1322099  
(151) 2016 06 16  
(181) 2026 06 16  
(891) 2016 06 16  
(511) 12, 38, 39, 42

---

(260) AM 2018 89932 A  
(800) 1322656  
(151) 2016 09 02  
(181) 2026 09 02  
(891) 2016 09 02  
(511) 44

---

(260) AM 2018 89933 A  
(800) 1322807  
(151) 2016 09 05  
(181) 2026 09 05  
(891) 2016 09 05  
(511) 05

---

(260) AM 2018 89934 A  
(800) 1322687  
(151) 2016 08 30  
(181) 2026 08 30  
(891) 2016 08 30  
(511) 10

---

(260) AM 2018 89935 A  
(800) 1322692  
(151) 2016 11 08  
(181) 2026 11 08  
(891) 2016 11 08  
(511) 05

---

(260) AM 2018 89937 A  
(800) 1322703  
(151) 2016 06 01  
(181) 2026 06 01  
(891) 2016 06 01  
(511) 06, 07, 08, 16, 22, 35, 37, 41

---

(260) AM 2018 89942 A  
(800) 1322890  
(151) 2016 08 09  
(181) 2026 08 09  
(891) 2016 08 09  
(511) 32

---

(260) AM 2018 89949 A  
(800) 1322759  
(151) 2015 11 27  
(181) 2025 11 27  
(891) 2015 11 27  
(511) 16

---

(260) AM 2018 89974 A  
(800) 1143172  
(151) 2012 11 16  
(181) 2012 11 16  
(891) 2016 01 15  
(511) 16

---

(260) AM 2018 89975 A  
(800) 1191517  
(151) 2013 12 02  
(181) 2013 12 02  
(891) 2016 11 23  
(511) 35, 45

---

(260) AM 2018 89976 A  
(800) 1245284  
(151) 2014 11 28  
(181) 2014 11 28  
(891) 2016 09 09  
(511) 18

---

(260) AM 2018 89977 A  
(800) 1316599  
(151) 2016 09 09  
(181) 2026 09 09

(891) 2016 11 23  
(511) 03

---

(260) AM 2018 90007 A  
(800) 1323850  
(151) 2016 08 09  
(181) 2026 08 09  
(891) 2016 08 09  
(511) 11

---

(260) AM 2018 90008 A  
(800) 1323857  
(151) 2016 10 11  
(181) 2026 10 11  
(891) 2016 10 11  
(511) 09, 16, 25, 41

---

(260) AM 2018 90009 A  
(800) 1323862  
(151) 2016 08 24  
(181) 2026 08 24  
(891) 2016 08 24  
(511) 29

---

(260) AM 2018 90013 A  
(800) 1323930  
(151) 2016 05 13  
(181) 2026 05 13  
(891) 2016 05 13  
(511) 12, 37

---

(260) AM 2018 90015 A  
(800) 1323978  
(151) 2016 08 29  
(181) 2026 08 29  
(891) 2016 08 29  
(511) 05

---

(260) AM 2018 90016 A  
(800) 1323980  
(151) 2016 01 25  
(181) 2026 01 25  
(891) 2016 01 25  
(511) 17, 19

---

(260) AM 2018 90017 A  
(800) 1324012  
(151) 2016 08 03  
(181) 2026 08 03  
(891) 2016 08 03  
(511) 32

---

(260) AM 2018 90021 A  
(800) 1324044  
(151) 2016 06 09  
(181) 2026 06 09  
(891) 2016 06 09  
(511) 29, 30

---

(260) AM 2018 90022 A  
(800) 1324118  
(151) 2016 08 10  
(181) 2026 08 10  
(891) 2016 08 10  
(511) 11, 21

---

(260) AM 2018 90041 A  
(800) 1305575  
(151) 2016 06 09  
(181) 2026 06 09  
(891) 2016 11 18  
(511) 38

---

(260) AM 2018 90083 A  
(800) 1323571  
(151) 2015 09 17  
(181) 2025 09 17  
(891) 2015 09 17  
(511) 05

---

(260) AM 2018 90108 A  
(800) 1323639  
(151) 2016 08 31  
(181) 2026 08 31  
(891) 2016 08 31  
(511) 05

---

(260) AM 2018 90111 A  
(800) 1323688  
(151) 2016 09 05  
(181) 2026 09 05  
(891) 2016 09 05  
(511) 05

---

(260) AM 2018 90114 A  
(800) 1323752  
(151) 2016 03 16  
(181) 2026 03 16  
(891) 2016 03 16  
(511) 09, 35, 36, 42

---

(260) AM 2018 90168 A  
(800) 1071147  
(151) 2010 12 23  
(181) 2020 12 23

(891) 2016 08 12  
(511) 03

---

(260) AM 2018 90179 A  
(800) 1324424  
(151) 2016 09 15  
(181) 2026 09 15  
(891) 2016 09 15  
(511) 30, 32

---

(260) AM 2018 90189 A  
(800) 1324580  
(151) 2016 08 25  
(181) 2026 08 25  
(891) 2016 08 25  
(511) 03

---

(260) AM 2018 90195 A  
(800) 1306014  
(151) 2016 04 01  
(181) 2026 04 01  
(891) 2016 09 19  
(511) 30

---

(260) AM 2018 90196 A  
(800) 1324772  
(151) 2016 09 06  
(181) 2026 09 06  
(891) 2016 09 06  
(511) 30, 32

---

(260) AM 2018 90197 A  
(800) 1306662  
(151) 2016 02 20  
(181) 2026 02 20  
(891) 2016 09 15  
(511) 05

---

(260) AM 2018 90198 A  
(800) 1324773  
(151) 2016 09 06  
(181) 2026 09 06  
(891) 2016 09 06  
(511) 30, 32

---

(260) AM 2018 90199 A  
(800) 1317931  
(151) 2016 06 28  
(181) 2026 06 28  
(891) 2016 09 29  
(511) 07, 09

---

(260) AM 2018 90201 A  
(800) 1324788  
(151) 2016 08 17  
(181) 2026 08 17  
(891) 2016 08 17  
(511) 01, 03, 04

---

(260) AM 2018 90209 A  
(800) 1325007  
(151) 2016 10 05  
(181) 2026 10 05  
(891) 2016 10 05  
(511) 09, 16, 41

---

(260) AM 2018 90222 A  
(800) 1326013  
(151) 2016 04 29  
(181) 2026 04 29  
(891) 2016 04 29  
(511) 32, 33, 35

---

(260) AM 2018 90247 A  
(800) 1325769  
(151) 2016 09 16  
(181) 2026 09 16  
(891) 2016 09 16  
(511) 09

---

(260) AM 2018 90248 A  
(800) 1325362  
(151) 2016 11 08  
(181) 2026 11 08  
(891) 2016 11 08  
(511) 18

---

(260) AM 2018 90249 A  
(800) 1325770  
(151) 2016 09 16  
(181) 2026 09 16  
(891) 2016 09 16  
(511) 09

---

(260) AM 2018 90250 A  
(800) 1325382  
(151) 2015 11 27  
(181) 2025 11 27  
(891) 2015 11 27  
(511) 05, 10

---

(260) AM 2018 90252 A  
(800) 1325401  
(151) 2016 05 12  
(181) 2026 05 12

(891) 2016 05 12  
(511) 29, 30

---

(260) AM 2018 90253 A  
(800) 508360  
(151) 1986 12 04  
(181) 1996 12 04  
(891) 2016 12 14  
(511) 05

---

(260) AM 2018 90254 A  
(800) 1325477  
(151) 2016 08 01  
(181) 2026 08 01  
(891) 2016 08 01  
(511) 32

---

(260) AM 2018 90255 A  
(800) 1325478  
(151) 2016 08 01  
(181) 2026 08 01  
(891) 2016 08 01  
(511) 32

---

(260) AM 2018 90256 A  
(800) 628472  
(151) 1994 12 12  
(181) 2004 12 12  
(891) 2016 10 25  
(511) 33

---

(260) AM 2018 90257 A  
(800) 1325776  
(151) 2016 08 23  
(181) 2026 08 23  
(891) 2016 08 23  
(511) 30, 35, 43

---

(260) AM 2018 90258 A  
(800) 1325479  
(151) 2016 08 01  
(181) 2026 08 01  
(891) 2016 08 01  
(511) 32

---

(260) AM 2018 90259 A  
(800) 1325511  
(151) 2015 12 25  
(181) 2025 12 25  
(891) 2015 12 25  
(511) 29, 30, 32

---

(260) AM 2018 90260 A  
(800) 1325544  
(151) 2016 10 06  
(181) 2026 10 06  
(891) 2016 10 06  
(511) 05

---

(260) AM 2018 90261 A  
(800) 663679  
(151) 1996 08 30  
(181) 2006 08 30  
(891) 2016 11 07  
(511) 06, 09, 20

---

(260) AM 2018 90262 A  
(800) 1325564  
(151) 2016 07 11  
(181) 2026 07 11  
(891) 2016 07 11  
(511) 14, 16, 18, 28

---

(260) AM 2018 90263 A  
(800) 745085  
(151) 2000 10 12  
(181) 2010 10 12  
(891) 2016 11 03  
(511) 05, 10

---

(260) AM 2018 90264 A  
(800) 1325565  
(151) 2016 08 08  
(181) 2026 08 08  
(891) 2016 08 08  
(511) 09, 11, 34

---

(260) AM 2018 90266 A  
(800) 750314  
(151) 2000 12 16  
(181) 2010 12 16  
(891) 2016 11 07  
(511) 12

---

(260) AM 2018 90267 A  
(800) 1325642  
(151) 2016 09 14  
(181) 2026 09 14  
(891) 2016 09 14  
(511) 09, 11

---

(260) AM 2018 90268 A  
(800) 1325649  
(151) 2016 03 04  
(181) 2026 03 04

(891) 2016 03 04  
(511) 09, 35, 39, 41, 43

---

(260) AM 2018 90269 A  
(800) 857107  
(151) 2004 11 03  
(181) 2014 11 03  
(891) 2016 11 29  
(511) 11, 14, 16, 20, 25, 28, 35

---

(260) AM 2018 90270 A  
(800) 1325664  
(151) 2016 08 08  
(181) 2026 08 08  
(891) 2016 08 08  
(511) 03, 05, 35

---

(260) AM 2018 90271 A  
(800) 1325684  
(151) 2016 08 09  
(181) 2026 08 09  
(891) 2016 08 09  
(511) 38, 41

---

(260) AM 2018 90297 A  
(800) 1299262  
(151) 2015 11 02  
(181) 2025 11 02  
(891) 2016 09 16  
(511) 21, 31, 35

---

(260) AM 2018 90300 A  
(800) 1299353  
(151) 2015 11 02  
(181) 2025 11 02  
(891) 2016 09 16  
(511) 21, 31, 35

---

(260) AM 2018 90311 A  
(800) 1327370  
(151) 2016 10 03  
(181) 2026 10 03  
(891) 2016 10 03  
(511) 11, 35

---

(260) AM 2018 90323 A  
(800) 1326294  
(151) 2016 07 01  
(181) 2026 07 01  
(891) 2016 07 01  
(511) 25

---

(260) AM 2018 90340 A  
(800) 1326379  
(151) 2016 09 08  
(181) 2026 09 08  
(891) 2016 09 08  
(511) 03

---

(260) AM 2018 90341 A  
(800) 1326410  
(151) 2016 07 19  
(181) 2026 07 19  
(891) 2016 07 19  
(511) 09, 11, 34

---

(260) AM 2018 90343 A  
(800) 1326513  
(151) 2016 04 19  
(181) 2026 04 19  
(891) 2016 04 19  
(511) 07, 09, 11, 12, 35, 36, 37, 39, 40, 41, 42, 43

---

(260) AM 2018 90344 A  
(800) 1326521  
(151) 2016 08 31  
(181) 2026 08 31  
(891) 2016 08 31  
(511) 34

---

(260) AM 2018 90345 A  
(800) 1326522  
(151) 2016 09 01  
(181) 2026 09 01  
(891) 2016 09 01  
(511) 34

---

(260) AM 2018 90346 A  
(800) 1326525  
(151) 2016 10 25  
(181) 2026 10 25  
(891) 2016 10 25  
(511) 08

---

(260) AM 2018 90347 A  
(800) 1326566  
(151) 2016 04 22  
(181) 2026 04 22  
(891) 2016 04 22  
(511) 14, 18, 25

---

(260) AM 2018 90348 A  
(800) 1326591  
(151) 2016 08 16  
(181) 2026 08 16

(891) 2016 08 16  
(511) 29, 30, 32

---

(260) AM 2018 90351 A  
(800) 1326806  
(151) 2016 07 04  
(181) 2026 07 04  
(891) 2016 07 04  
(511) 12

---

(260) AM 2018 90352 A  
(800) 1326807  
(151) 2016 07 11  
(181) 2026 07 11  
(891) 2016 07 11  
(511) 08, 09

---

(260) AM 2018 90353 A  
(800) 1326892  
(151) 2015 12 23  
(181) 2025 12 23  
(891) 2015 12 23  
(511) 06, 07, 08, 09, 20

---

(260) AM 2018 90354 A  
(800) 1326906  
(151) 2016 05 27  
(181) 2026 05 27  
(891) 2016 05 27  
(511) 05

---

(260) AM 2018 90355 A  
(800) 1326908  
(151) 2016 04 16  
(181) 2026 04 16  
(891) 2016 04 16  
(511) 32, 33

---

(260) AM 2018 90356 A  
(800) 1326913  
(151) 2016 07 22  
(181) 2026 07 22  
(891) 2016 07 22  
(511) 03, 05

---

(260) AM 2018 90358 A  
(800) 1326959  
(151) 2016 11 01  
(181) 2026 11 01  
(891) 2016 11 01  
(511) 42

---

(260) AM 2018 90361 A  
(800) 1326960  
(151) 2016 10 18  
(181) 2026 10 18  
(891) 2016 10 18  
(511) 05, 21, 25, 30, 32, 33, 41, 43

---

(260) AM 2018 90367A  
(800) 1326962  
(151) 2016 11 01  
(181) 2026 11 01  
(891) 2016 11 01  
(511) 09

---

(260) AM 20187 90368A  
(800) 1326982  
(151) 2016 11 23  
(181) 2026 11 23  
(891) 2016 11 23  
(511) 45

---

(260) AM 2018 90369A  
(800) 1327030  
(151) 2016 10 13  
(181) 2026 10 13  
(891) 2016 10 13  
(511) 12, 37

---

(260) AM 2018 90374A  
(800) 1327426  
(151) 2016 04 05  
(181) 2026 04 05  
(891) 2016 04 05  
(511) 06, 12, 16, 20, 21, 28, 35

---

(260) AM 2018 90375A  
(800) 1327438  
(151) 2016 06 07  
(181) 2026 06 07  
(891) 2016 06 07  
(511) 03

---

(260) AM 2018 90376A  
(800) 1327459  
(151) 2016 06 01  
(181) 2026 06 01  
(891) 2016 06 01  
(511) 16, 35, 39, 41, 42

---

(260) AM 2018 90377A  
(800) 1327464  
(151) 2016 06 09  
(181) 2026 06 09

(891) 2016 06 09  
(511) 03, 05

---

(260) AM 2018 90379A  
(800) 1327476  
(151) 2016 03 03  
(181) 2026 03 03  
(891) 2016 03 03  
(511) 35, 41

---

(260) AM 2018 90380A  
(800) 629576  
(151) 1994 12 27  
(181) 2004 12 27  
(891) 2016 12 02  
(511) 33

---

(260) AM 2018 90381A  
(800) 719344  
(151) 1999 04 14  
(181) 2009 04 14  
(891) 2016 10 17  
(511) 12

---

(260) AM 2018 90382A  
(800) 1065780  
(151) 2011 01 10  
(181) 2021 01 10  
(891) 2016 11 24  
(511) 05, 29, 31

---

(260) AM 2018 90383A  
(800) 1115564  
(151) 2012 04 05  
(181) 2022 04 05  
(891) 2016 11 24  
(511) 05, 29, 31

---

(260) AM 2018 90386A  
(800) 1326595  
(151) 2016 08 26  
(181) 2026 08 26  
(891) 2016 08 26  
(511) 05, 44

---

(260) AM 2018 90387A  
(800) 1326614  
(151) 2016 05 02  
(181) 2026 05 02  
(891) 2016 05 02  
(511) 09, 10, 11, 16, 28, 35, 37, 42

---



(260) AM 2018 90388A  
(800) 1326631  
(151) 2016 04 08  
(181) 2026 04 08  
(891) 2016 04 08  
(511) 09, 11, 35, 38

---

(260) AM 2018 90409 A  
(800) 1324063  
(151) 2016 08 01  
(181) 2026 08 01  
(891) 2016 12 16  
(511) 03, 04, 05

---

(260) AM 2018 90431 A  
(800) 1327067  
(151) 2016 02 08  
(181) 2026 02 08  
(891) 2016 02 08  
(511) 03, 05, 35

---

(260) AM 2018 90432 A  
(800) 1327072  
(151) 2016 05 17  
(181) 2026 05 17  
(891) 2016 05 17  
(511) 29, 30

---

(260) AM 2018 90433 A  
(800) 1327076  
(151) 2016 10 05  
(181) 2026 10 05  
(891) 2016 10 05  
(511) 29, 35

---

(260) AM 2018 90434 A  
(800) 1327100  
(151) 2016 08 24  
(181) 2026 08 24  
(891) 2016 08 24  
(511) 34

---

(260) AM 2018 90437 A  
(800) 1327173  
(151) 2016 10 14  
(181) 2026 10 14  
(891) 2016 10 14  
(511) 05

---

(260) AM 2018 90438 A  
(800) 1327174  
(151) 2016 10 14  
(181) 2026 10 14

(891) 2016 10 14  
(511) 05

---

(260) AM 2018 90439 A  
(800) 1327175  
(151) 2016 10 14  
(181) 2026 10 14  
(891) 2016 10 14  
(511) 05

---

(260) AM 2018 90440 A  
(800) 1327176  
(151) 2016 10 14  
(181) 2026 10 14  
(891) 2016 10 14  
(511) 05

---

(260) AM 2018 90441 A  
(800) 1327205  
(151) 2016 01 15  
(181) 2026 01 15  
(891) 2016 01 15  
(511) 35, 41

---

(260) AM 2018 90442 A  
(800) 1327207  
(151) 2016 03 03  
(181) 2026 03 03  
(891) 2016 03 03  
(511) 35, 41

---

(260) AM 2018 90444 A  
(800) 1327225  
(151) 2016 10 21  
(181) 2026 10 21  
(891) 2016 10 21  
(511) 05

---

(260) AM 2018 90445 A  
(800) 1327255  
(151) 2015 11 13  
(181) 2025 11 13  
(891) 2015 11 13  
(511) 25

---

(260) AM 2018 90446 A  
(800) 1327262  
(151) 2016 08 30  
(181) 2026 08 30  
(891) 2016 08 30  
(511) 18, 24, 25, 35

---

(260) AM 2018 90448 A  
(800) 1327292  
(151) 2016 08 29  
(181) 2026 08 29  
(891) 2016 08 29  
(511) 05

---

(260) AM 2018 90453 A  
(800) 1328057  
(151) 2016 01 19  
(181) 2026 01 19  
(891) 2016 01 19  
(511) 03, 09, 14, 18, 25, 35

---

(260) AM 2018 90454 A  
(800) 1327498  
(151) 2016 09 16  
(181) 2026 09 16  
(891) 2016 09 16  
(511) 30

---

(260) AM 2018 90455 A  
(800) 1327500  
(151) 2016 10 26  
(181) 2026 10 26  
(891) 2016 10 26  
(511) 10

---

(260) AM 2018 90456 A  
(800) 1327501  
(151) 2016 10 26  
(181) 2026 10 26  
(891) 2016 10 26  
(511) 10

---

(260) AM 2018 90457 A  
(800) 1327502  
(151) 2016 10 26  
(181) 2026 10 26  
(891) 2016 10 26  
(511) 10

---

(260) AM 2018 90459 A  
(800) 1327503  
(151) 2016 10 26  
(181) 2026 10 26  
(891) 2016 10 26  
(511) 10

---

(260) AM 2018 90461 A  
(800) 1327504  
(151) 2016 10 26  
(181) 2026 10 26

(891) 2016 10 26  
(511) 10

---

(260) AM 2018 90463 A  
(800) 1327508  
(151) 2016 11 03  
(181) 2026 11 03  
(891) 2016 11 03  
(511) 05

---

(260) AM 2018 90465 A  
(800) 1327509  
(151) 2016 11 03  
(181) 2026 11 03  
(891) 2016 11 03  
(511) 05

---

(260) AM 2018 90466 A  
(800) 1327524  
(151) 2016 09 23  
(181) 2026 09 23  
(891) 2016 09 23  
(511) 30

---

(260) AM 2018 90467 A  
(800) 1327561  
(151) 2016 09 14  
(181) 2026 09 14  
(891) 2016 09 14  
(511) 09

---

(260) AM 2018 90468 A  
(800) 1327563  
(151) 2016 09 08  
(181) 2026 09 08  
(891) 2016 09 08  
(511) 12, 37, 39, 42

---

(260) AM 2018 90469 A  
(800) 1327580  
(151) 2016 06 23  
(181) 2026 06 23  
(891) 2016 06 23  
(511) 03, 35, 44

---

(260) AM 2018 90470 A  
(800) 1327624  
(151) 2016 11 09  
(181) 2026 11 09  
(891) 2016 11 09  
(511) 08

---

(260) AM 2018 90472 A  
(800) 1327665  
(151) 2016 05 09  
(181) 2026 05 09  
(891) 2016 05 09  
(511) 06, 11

---

(260) AM 2018 90474 A  
(800) 1327695  
(151) 2016 09 16  
(181) 2026 09 16  
(891) 2016 09 16  
(511) 42

---

(260) AM 2018 90475 A  
(800) 1327719  
(151) 2016 10 11  
(181) 2026 10 11  
(891) 2016 10 11  
(511) 05

---

(260) AM 2018 90476 A  
(800) 1328094  
(151) 2016 06 14  
(181) 2026 06 14  
(891) 2016 06 14  
(511) 11

---

(260) AM 2018 90483 A  
(800) 1328099  
(151) 2016 06 30  
(181) 2026 06 30  
(891) 2016 06 30  
(511) 05, 30

---

(260) AM 2018 90490 A  
(800) 1328234  
(151) 2016 09 23  
(181) 2026 09 23  
(891) 2016 09 23  
(511) 12

---

(260) AM 2018 90491 A  
(800) 1328253  
(151) 2016 04 11  
(181) 2026 04 11  
(891) 2016 04 11  
(511) 37, 39

---

(260) AM 2018 90492 A  
(800) 1328295  
(151) 2016 05 19  
(181) 2026 05 19

(891) 2016 05 19  
(511) 29, 30

---

(260) AM 2018 90497 A  
(800) 1328442  
(151) 2016 06 02  
(181) 2026 06 02  
(891) 2016 06 02  
(511) 09

---

(260) AM 2018 90500A  
(800) 664022  
(151) 1996 10 11  
(181) 2006 10 11  
(891) 2016 11 24  
(511) 33

---

(260) AM 2018 90501A  
(800) 759374  
(151) 2001 06 07  
(181) 2011 06 07  
(891) 2016 12 26  
(511) 05

---

(260) AM 2018 90502A  
(800) 1228500  
(151) 2014 10 17  
(181) 2024 10 17  
(891) 2016 12 22  
(511) 12

---

(260) AM 2018 90503A  
(800) 1271773  
(151) 2015 07 10  
(181) 2025 07 10  
(891) 2016 11 15  
(511) 05, 10, 35, 36, 41, 44

---

(260) AM 2018 90506A  
(800) 1327725  
(151) 2016 10 21  
(181) 2026 10 21  
(891) 2016 10 21  
(511) 05

---

(260) AM 2018 90507A  
(800) 1327727  
(151) 2016 10 11  
(181) 2026 10 11  
(891) 2016 10 11  
(511) 09, 41

---

(260) AM 2018 90508A  
(800) 1327728  
(151) 2016 10 11  
(181) 2026 10 11  
(891) 2016 10 11  
(511) 09, 41

---

(260) AM 2018 90513A  
(800) 1327869  
(151) 2016 09 02  
(181) 2026 09 02  
(891) 2016 09 02  
(511) 30

---

(260) AM 2018 90520A  
(800) 1327872  
(151) 2016 08 26  
(181) 2026 08 26  
(891) 2016 08 26  
(511) 30

---

(260) AM 2018 90524A  
(800) 1327884  
(151) 2016 10 31  
(181) 2026 10 31  
(891) 2016 10 31  
(511) 03

---

(260) AM 2018 90529A  
(800) 1327900  
(151) 2016 09 23  
(181) 2026 09 23  
(891) 2016 09 23  
(511) 30

---

(260) AM 2018 90540A  
(800) 1327930  
(151) 2016 05 03  
(181) 2026 05 03  
(891) 2016 05 03  
(511) 11

---

(260) AM 2018 90543A  
(800) 1327931  
(151) 2016 06 13  
(181) 2026 06 13  
(891) 2016 06 13  
(511) 35

---

(260) AM 2018 90548 A  
(800) 1327943  
(151) 2016 09 22  
(181) 2026 09 22

(891) 2016 09 22  
(511) 29, 31

---

(260) AM 2018 90550 A  
(800) 1327985  
(151) 2016 06 10  
(181) 2026 06 10  
(891) 2016 06 10  
(511) 09, 37, 42

---

(260) AM 2018 90552 A  
(800) 1327989  
(151) 2016 07 30  
(181) 2026 07 30  
(891) 2016 07 30  
(511) 09, 16, 41

---

(260) AM 2018 90555 A  
(800) 1328031  
(151) 2016 09 29  
(181) 2026 09 29  
(891) 2016 09 29  
(511) 38

---

(260) AM 2018 90574 A  
(800) 1328460  
(151) 2016 09 15  
(181) 2026 09 15  
(891) 2016 09 15  
(511) 32

---

(260) AM 2018 90575 A  
(800) 1328490  
(151) 2016 10 18  
(181) 2026 10 18  
(891) 2016 10 18  
(511) 30

---

(260) AM 2018 90578 A  
(800) 1328501  
(151) 2016 06 23  
(181) 2026 06 23  
(891) 2016 06 23  
(511) 03, 05

---

(260) AM 2018 90579 A  
(800) 1328558  
(151) 2016 09 05  
(181) 2026 09 05  
(891) 2016 09 05  
(511) 09, 16, 35, 38, 41, 42

---

(260) AM 2018 90580 A  
(800) 1328598  
(151) 2016 09 16  
(181) 2026 09 16  
(891) 2016 09 16  
(511) 03, 05, 10

---

(260) AM 2018 90581 A  
(800) 1328600  
(151) 2016 11 02  
(181) 2026 11 02  
(891) 2016 11 02  
(511) 32

---

(260) AM 2018 90582 A  
(800) 1328601  
(151) 2016 11 02  
(181) 2026 11 02  
(891) 2016 11 02  
(511) 32

---

(260) AM 2018 90583 A  
(800) 1328654  
(151) 2016 09 02  
(181) 2026 09 02  
(891) 2016 09 02  
(511) 07, 09, 11, 12, 13, 37, 38, 41, 42

---

(260) AM 2018 90584 A  
(800) 1315918  
(151) 2016 04 11  
(181) 2026 04 11  
(891) 2016 11 15  
(511) 09, 16, 41

---

(260) AM 2018 90619 A  
(800) 1329045  
(151) 2016 09 07  
(181) 2026 09 07  
(891) 2016 09 07  
(511) 34

---

(260) AM 2018 90674 A  
(800) 1328971  
(151) 2016 06 08  
(181) 2026 06 08  
(891) 2016 06 08  
(511) 09

---

(260) AM 2018 90698 A  
(800) 1329845  
(151) 2016 06 10  
(181) 2026 06 10

(891) 2016 06 10  
(511) 07, 11, 29, 30, 31, 32, 35, 43

---

(260) AM 2018 90699 A  
(800) 1329857  
(151) 2016 07 11  
(181) 2026 07 11  
(891) 2016 07 11  
(511) 20, 21, 35

---

(260) AM 2018 90700 A  
(800) 1329959  
(151) 2016 08 16  
(181) 2026 08 16  
(891) 2016 08 16  
(511) 01, 05, 35

---

(260) AM 2018 90701 A  
(800) 1329168  
(151) 2016 07 27  
(181) 2026 07 27  
(891) 2016 07 27  
(511) 01

---

(260) AM 2018 90702 A  
(800) 1329170  
(151) 2016 08 29  
(181) 2026 08 29  
(891) 2016 08 29  
(511) 05

---

(260) AM 2018 90713 A  
(800) 1329908  
(151) 2016 08 26  
(181) 2026 08 26  
(891) 2016 08 26  
(511) 30

---

(260) AM 2018 90714 A  
(800) 1329913  
(151) 2016 09 08  
(181) 2026 09 08  
(891) 2016 09 08  
(511) 05

---

(260) AM 2018 90716 A  
(800) 1329914  
(151) 2016 09 08  
(181) 2026 09 08  
(891) 2016 09 08  
(511) 05

---

(260) AM 2018 90717A  
(800) 1329918  
(151) 2016 10 25  
(181) 2026 10 25  
(891) 2016 10 25  
(511) 07, 09, 11

---

(260) AM 2018 90718 A  
(800) 1329475  
(151) 2016 08 22  
(181) 2026 08 22  
(891) 2016 08 22  
(511) 10

---

(260) AM 2018 90720 A  
(800) 958141  
(151) 2007 11 21  
(181) 2017 11 21  
(891) 2016 07 26  
(511) 05

---

(260) AM 2018 90792 A  
(800) 1329612  
(151) 2016 12 06  
(181) 2026 12 06  
(891) 2016 12 06  
(511) 14

---

(260) AM 2018 90803 A  
(800) 1329615  
(151) 2016 09 06  
(181) 2026 09 06  
(891) 2016 09 06  
(511) 09

---

(260) AM 2018 90804 A  
(800) 1329617  
(151) 2016 07 27  
(181) 2026 07 27  
(891) 2016 07 27  
(511) 02

---

(260) AM 2018 90805 A  
(800) 1329625  
(151) 2016 10 10  
(181) 2026 10 10  
(891) 2016 10 10  
(511) 07, 09, 11

---

(260) AM 2018 90806 A  
(800) 1329626  
(151) 2016 10 10  
(181) 2026 10 10

(891) 2016 10 10  
(511) 07, 09, 11

---

(260) AM 2018 90808 A  
(800) 1329644  
(151) 2016 09 13  
(181) 2026 09 13  
(891) 2016 09 13  
(511) 37, 38, 42

---

(260) AM 2018 90809 A  
(800) 1329651  
(151) 2016 09 14  
(181) 2026 09 14  
(891) 2016 09 14  
(511) 30

---

(260) AM 2018 90888 A  
(800) 1330678  
(151) 2016 09 27  
(181) 2026 09 27  
(891) 2016 09 27  
(511) 30

---

(260) AM 2018 90889 A  
(800) 1331654  
(151) 2016 10 21  
(181) 2026 10 21  
(891) 2016 10 21  
(511) 14

---

(260) AM 2018 90891 A  
(800) 1331690  
(151) 2016 05 16  
(181) 2026 05 16  
(891) 2016 05 16  
(511) 20

---

(260) AM 2018 90893 A  
(800) 785256  
(151) 2002 07 19  
(181) 2012 07 19  
(891) 2017 02 01  
(511) 01, 05

---

(260) AM 2018 90895 A  
(800) 1330720  
(151) 2016 10 03  
(181) 2026 10 03  
(891) 2016 10 03  
(511) 33

---

(260) AM 2018 90896 A  
(800) 863898  
(151) 2004 10 04  
(181) 2014 10 04  
(891) 2016 10 10  
(511) 25

---

(260) AM 2018 90903 A  
(800) 1111860  
(151) 2012 01 30  
(181) 2022 01 30  
(891) 2016 11 29  
(511) 33

---

(260) AM 2018 90905 A  
(800) 1121928  
(151) 2012 04 11  
(181) 2022 04 11  
(891) 2016 10 05  
(511) 05, 10, 44

---

(260) AM 2018 90906 A  
(800) 1164775  
(151) 2013 06 05  
(181) 2023 06 05  
(891) 2016 11 09  
(511) 09

---

(260) AM 2018 90908 A  
(800) 1281220  
(151) 2015 11 20  
(181) 2025 11 20  
(891) 2017 01 30  
(511) 32

---

(260) AM 2018 90919 A  
(800) 1330889  
(151) 2016 10 11  
(181) 2026 10 11  
(891) 2016 10 11  
(511) 35, 36, 37, 42

---

(260) AM 2018 90920 A  
(800) 1330929  
(151) 2016 04 28  
(181) 2026 04 28  
(891) 2016 04 28  
(511) 05

---

(260) AM 2018 90943 A  
(800) 1331268  
(151) 2016 08 08  
(181) 2026 08 08

(891) 2016 08 08  
(511) 03, 05, 35

---

(260) AM 2018 90944 A  
(800) 1331290  
(151) 2016 10 24  
(181) 2026 10 24  
(891) 2016 10 24  
(511) 03, 35

---

(260) AM 2018 90945 A  
(800) 1331340  
(151) 2016 05 26  
(181) 2026 05 26  
(891) 2016 05 26  
(511) 11, 19, 27

---

(260) AM 2018 90946 A  
(800) 1331342  
(151) 2016 07 01  
(181) 2026 07 01  
(891) 2016 07 01  
(511) 03, 25, 26

---

(260) AM 2018 90947 A  
(800) 1331454  
(151) 2016 07 29  
(181) 2026 07 29  
(891) 2016 07 29  
(511) 02, 17, 19

---

(260) AM 2018 90948A  
(800) 1331496  
(151) 2016 08 30  
(181) 2026 08 30  
(891) 2016 08 30  
(511) 07

---

(260) AM 2018 90950 A  
(800) 1331054  
(151) 2016 10 11  
(181) 2026 10 11  
(891) 2016 10 11  
(511) 09, 34

---

(260) AM 2018 90951 A  
(800) 1331058  
(151) 2016 10 10  
(181) 2026 10 10  
(891) 2016 10 10  
(511) 16

---

(260) AM 2018 90952 A  
(800) 1331067  
(151) 2016 10 25  
(181) 2026 10 25  
(891) 2016 10 25  
(511) 41

---

(891) 2016 12 19  
(511) 05

---

(260) AM 2018 91081 A  
(800) 1332678  
(151) 2016 09 12  
(181) 2026 09 12  
(891) 2016 09 12  
(511) 29

---

(260) AM 2018 91098 A  
(800) 706558  
(151) 1998 12 18  
(181) 2008 12 18  
(891) 2016 09 12  
(511) 01

---

(260) AM 2018 91099 A  
(800) 1097920  
(151) 2011 03 28  
(181) 2021 03 28  
(891) 2016 12 15  
(511) 03, 05, 29

---

(260) AM 2018 91100 A  
(800) 1131365  
(151) 2012 06 28  
(181) 2022 06 28  
(891) 2016 08 27  
(511) 37

---

(260) AM 2018 91101 A  
(800) 1142625  
(151) 2012 11 16  
(181) 2022 11 16  
(891) 2017 01 27  
(511) 39

---

(260) AM 2018 91103 A  
(800) 1236214  
(151) 2014 10 16  
(181) 2024 10 16  
(891) 2017 02 01  
(511) 15

---

(260) AM 2018 91104 A  
(800) 1278787  
(151) 2015 09 18  
(181) 2025 09 18



---

# OFFICIAL NOTIFICATIONS

## INVENTIONS

### RENEWAL OF PATENTS

**(11) P 2011 5338 B**

(73) Lali Ghurtchumelia (GE)

**(54) FIRE EXTINGUISHING POWDERS BASED ON ZEOLITES AND SHALY CLAY**

DATE OF RENEWAL: 26 02 2018

---

**(11) P 2011 5346 B**

(73) Omar Lomtadze (GE);

Mikheil Zhgenti (GE);

Givi Chimakadze (GE)

**(54) WATER-IN-OIL EMULSION CONCENTRATE WITH ACARICIDE PROPERTIES**

DATE OF RENEWAL: 26 02 2018

---

**(11) P 2014 6048 B**

(73) Sopio Burjanadze (GE)

**(54) CAVITATION-ELECTROLYSIS DEVICE FOR HYDROGEN GENERATION**

DATE OF RENEWAL: 26 02 2018

---

**(11) P 2007 4059 B**

(73) CO2 PAC LIMITED (NZ)

**(54) CONTAINER STRUCTURE FOR REMOVAL OF VACUUM PRESSURE**

DATE OF RENEWAL: 26 02 2018

---

## UTILITY MODELS

### RENEWAL OF PATENTS

**(11) U 2014 1821 Y**

(73) Vladimer Loladze (GE);

Giorgi Loladze (GE);

Nino Loladze (GE);

Vakhtang Loladze (GE);

Irakli Zubitashvili (GE)

**(54) MINERALS TRANSPORTATION OBTAINED FROM WATER AREA BOTTOM**

DATE OF RENEWAL: 26 02 2018

---

---

# TRADEMARKS

## RENEWAL OF REGISTRATIONS

(111) M 1998 8338 R2  
(156) 1998 02 16  
(186) 2028 02 16  
(732) FEDERACION NACIONAL DE  
Cafeteros de Colombia Calle 73 8-13 Bogota,  
Colombia

---

(111) M 1997 5909 R2  
(156) 1997 07 14  
(186) 2027 07 14  
(732) REVLON CONSUMER PRODUCTS  
CORPORATION  
One New York Plaza, New York, New York  
10004, USA

---

(111) M 1998 8106 R2  
(156) 1998 01 20  
(186) 2028 01 20  
(732) EXXON MOBIL CORPORATION  
959 Las Colinas Boulevard, Irving, Texas  
75039-2298, USA

---

(111) M 199 9171 R2  
(156) 1998 05 04  
(186) 2028 05 04  
(732) R. Seelig & Hille oHG  
Kevelaerer str. 21-23, 40549 Dusseldorf, DE

---

(111) M 1998 8261 R2  
(156) 1998 02 06  
(186) 2028 02 06  
(732) THE CONCENTRATE  
MANUFACTURING COMPANY OF  
IRELAND  
Swan Building, 3th Floor, 26 Victoria  
Street, Hamilton HM 12, BM

---

(111) M 1998 8262 R2  
(156) 1998 02 06  
(186) 2028 02 06  
(732) THE CONCENTRATE  
MANUFACTURING COMPANY OF  
IRELAND  
Swan Building, 3th Floor, 26 Victoria  
Street, Hamilton HM 12, BM

---

(111) M 1997 5735 R2  
(156) 1997 06 25  
(186) 2027 06 25

(732) CONSTELLATION BRANDS U.S.  
OPERATIONS, INC.  
235 N. Bloomfield Road, Canandaigua, New  
York 14424, USA

---

(111) M 1998 9058 R2  
(156) 1998 04 29  
(186) 2028 04 29  
(732) ASTRAZENEKA UK LIMITED  
Cambridge Biomedical Campus, 1 Francis  
Crick Avenue, Cambridge, CB2 0AA, United  
Kingdom

---

(111) M 1998 9812 R2  
(156) 1998 06 23  
(186) 2028 06 23  
(732) WM WRIGLEY JR. COMPANY  
1132 West Blackhawk Street, Chicago,  
Illinois 60642, USA

---

(111) M 1998 8120 R2  
(156) 1998 01 22  
(186) 2028 01 22  
(732) WOLFCRAFT GmbH  
Wolf-Strasse, D-56746 Kempenich, Germany

---

(111) M 1998 9837 R3  
(156) 1998 06 23  
(186) 2038 06 23  
(732) SEIKO EPSON KABUSHIKI  
KAISHA (also trading as SEIKO EPSON  
CORPORATION)  
1-6, Shinjuku 4-chome, Shinjuku-ku, Tokyo,  
Japan

---

(111) M 1998 8608 R2  
(156) 1998 03 10  
(186) 2028 03 10  
(732) SKODA AUTO A.S.  
Tr. Vaclava Klementa 869, CZ-293 60  
Mlada Boleslava, Czech Republic

---

(111) M 1998 8608 R2  
(156) 1998 03 10  
(186) 2028 03 10  
(732) SKODA AUTO A.S.  
Tr. Vaclava Klementa 869, CZ-293 60  
Mlada Boleslava, Czech Republic

---

(111) M 1998 8172 R2  
 (156) 1998 01 29  
 (186) 2028 01 29  
 (732) BIOPHARMA  
 50, rue Carnot, 92284 Suresnes cedex,  
 France

(111) M 1998 8424 R2  
 (156) 1998-02-24  
 (186) 2028 02 24  
 (732) FORALL CONFEZIONI S.P.A.  
 Via Fabio Filzi 34, 36050 Quinto Vicentino,  
 province of Vicenza, Italy

(111) M 1998 8602 R2  
 (156) 1998 03 09  
 (186) 2028 03 09  
 (732) DAIMLER AG  
 Mercedesstrasse 137, 70327 Stuttgart,  
 Germany

(111) M 1998 8215 R2  
 (156) 1998 02 02  
 (186) 2028 02 02  
 (732) BIOFARMA  
 50, rue Carnot, 92284 Suresnes cedex,  
 France

(111) M 1998 8223 R2  
 (156) 1998 02 02  
 (186) 2028 02 02  
 (732) HERMES INTERNATIONAL  
 24, Rue du Faubourg Saint Honore, 75008  
 Paris, France

(111) M 2008 18158 R1  
 (156) 2008 01 16  
 (186) 2028 01 16  
 (732) SIX CONTINENT HOTELS, INC.  
 3 Ravinia Drive, Atlanta, Georgia 30346,  
 USA

(111) M 2008 18187 R0  
 (156) 2008 01 28  
 (186) 2018 01 28  
 (732) International Paper Company  
 a New-York Corporation  
 6400 Poplar Avenue, Memphis, TN 38197,  
 USA

(111) M 2008 18225 R1  
 (156) 2008 02 15  
 (186) 2028 02 15

(732) ARLA FOODS AMBA  
 Sonderhoj 14, DK-8260 Viby J, Denmark

(111) M 2008 18519 R1  
 (156) 2008 06 16  
 (186) 2028 06 16  
 (732) KENZO S.A.  
 1,rue du Pont--Neuf 75001 Paris, France

(111) M 2008 18365 R1  
 (156) 2008 04 14  
 (186) 2028 04 14  
 (732) ANPOWERGROUP INC.  
 a corporation organized and existing under  
 the laws of the State of Wisconsin  
 100 Manpower Place, Milwaukee,  
 Wisconsin, USA

(111) M 1998 8695 R2  
 (156) 1998 03 20  
 (186) 2028 03 20  
 (732) WM. WRIGLEY JR. COMPANY  
 1132 West Blackhawk Street, Chicago,  
 Illinois 60642, USA

(111) M 1998 8672 R2  
 (156) 1998 03 17  
 (186) 2028 03 17  
 (732) WM. WRIGLEY JR. COMPANY  
 1132 West Blackhawk Street, Chicago,  
 Illinois 60642, USA

(111) M 2008 19002 R1  
 (156) 2008 12 15  
 (186) 2028 12 15  
 (732) GLAXOSMITHKLINE BIOLOGICALS S.A.  
 Rue de l'Institut 89, B-1330 Rixensart,  
 Belgium

(111) M 1998 8634 R2  
 (156) 1998 03 12  
 (186) 2028 03 12  
 (732) AstraZeneka AB  
 SE-151 85 Södertälje, Sweden

(111) M 1998 9748 R2  
 (156) 1998 06 15  
 (186) 2028 06 15  
 (732) SCHNEIDER ELECTRIC INDUSTRIES SAS  
 35, rue Joseph Monier, 92500 RUEIL-  
 MALMAISON, France

(111) M 1998 8470 R2  
 (156) 1998 02 27  
 (186) 2028 02 27  
 (732) MANPOWERGROUP INC.  
 a corporation organized and existing under  
 the laws of the State of Wisconsin  
 100 Manpower Place, Milwaukee,  
 Wisconsin, USA

(111) M 1998 8684 R2  
 (156) 1998 03 19  
 (186) 2028 03 19  
 (732) NOVO NORDISK A/S  
 Novo Alle, DK-2880 Bagsvaerd,  
 Denmark

(111) M 1998 8686 R2  
 (156) 1998 03 19  
 (186) 2028 03 19  
 (732) NOVO NORDISK A/S  
 Novo Alle, DK-2880 Bagsvaerd,  
 Denmark

(111) M 1998 8687 R2  
 (156) 1998 03 19  
 (186) 2028 03 19  
 (732) NOVO NORDISK A/S  
 Novo Alle, DK-2880 Bagsvaerd,  
 Denmark

(111) M 1998 8524 R2  
 (156) 1998 03 04  
 (186) 2028 03 04  
 (732) FERRERO S.P.A.  
 Piazzale Pietro Ferrero 1, 12051 Alba,  
 Cuneo, Italy

(111) M 1998 8525 R2  
 (156) 1998 03 04  
 (186) 2028 03 04  
 (732) WEETABIX LIMITED  
 Weetabix Mills, Burton Latimer, Kettering,  
 Northants, NN15 5JR, United Kingdom

(111) M 1998 8526 R2  
 (156) 1998 03 04  
 (186) 2028 03 04  
 (732) WEETABIX LIMITED  
 Weetabix Mills, Burton Latimer, Kettering,  
 Northants, NN15 5JR, United Kingdom

(111) M 1998 8527 R2  
 (156) 1998 03 04

(186) 2028 03 04  
 (732) WEETABIX LIMITED  
 Weetabix Mills, Burton Latimer, Kettering,  
 Northants, NN15 5JR, United Kingdom

(111) M 1998 8528 R2  
 (156) 1998 03 04  
 (186) 2028 03 04  
 (732) WEETABIX LIMITED  
 Weetabix Mills, Burton Latimer, Kettering,  
 Northants, NN15 5JR, United Kingdom

(111) M 1998 8529 R2  
 (156) 1998 03 04  
 (186) 2028 03 04  
 (732) WEETABIX LIMITED  
 Weetabix Mills, Burton Latimer, Kettering,  
 Northants, NN15 5JR, United Kingdom

(111) M 1998 11210 R2  
 (156) 1998 12 02  
 (186) 2028 12 02  
 (732) HYUNDAI MOTOR COMPANY  
 140-2, Kye-Dong, Jongro-ku, Seoul, Korea  
 (Republic of Korea)

(111) M 1998 11212 R2  
 (156) 1998 12 02  
 (186) 2028 12 02  
 (732) HYUNDAI MOTOR COMPANY  
 140-2, Kye-Dong, Jongro-ku, Seoul, Korea  
 (Republic of Korea)

(111) M 1998 10370 R2  
 (156) 1998 08 19  
 (186) 2028 08 19  
 (732) HYUNDAI MOTOR COMPANY  
 140-2, Kye-Dong, Jongro-ku, Seoul, Korea  
 (Republic of Korea)

(111) M 2007 18039 R1  
 (156) 2017 11 13  
 (186) 2027 11 13  
 (732) INTERPACIFIC INTERNATIONAL  
 LIMITED  
 St. Andrew's Court, Frederick Street Steps,  
 Nassau, Bahamas

(111) M 2007 18040 R1  
 (156) 2017 11 13  
 (186) 2027 11 13

(732) INTERPACIFIC INTERNATIONAL LIMITED  
St. Andrew's Court, Frederick Street Steps,  
Nassau, Bahamas

(111) M 2008 18189 R1  
(156) 2018 01 28  
(186) 2028 01 28  
(732) DELL INC.  
One Dell Way, Round Rock, Texas  
78682, USA

(111) M 2008 18190 R1  
(156) 2018 01 28  
(186) 2028 01 28  
(732) DELL INC.  
One Dell Way, Round Rock, Texas  
78682, USA

(111) M 1997 6184 R2  
(156) 2017 07 30  
(186) 2027 07 30  
(732) ANSELL GMBH  
Stahlgruberring 3, 81829 Munchen, Germany

(111) M 1997 6196 R2  
(156) 2017 07 30  
(186) 2027 07 30  
(732) LENOVO (SINGAPORE) PTE. LTD.  
151 Lorong Chuan, N02-01 New Tech Park,  
Singapore 556741, Singapore

(111) M 1997 6469 R2  
(156) 2017 08 22  
(186) 2027 08 22  
(732) ASTRON BUILDINGS S.A.  
Route d'Ettelbruck, L-9230 Diekirch,  
Luxembourg

(111) M 1997 6527 R2  
(156) 2017 08 26  
(186) 2027 08 26  
(732) ASTRON BUILDINGS S.A.  
Route d'Ettelbruck, L-9230 Diekirch,  
Luxembourg

(111) M 1997 6528 R2  
(156) 2017 08 26  
(186) 2027 08 26  
(732) ASTRON BUILDINGS S.A.  
Route d'Ettelbruck, L-9230 Diekirch,  
Luxembourg

(111) M 1997 7076 R2  
(156) 2017 10 08  
(186) 2027 10 08  
(732) Fca Italy S.P.A. in extended form Fiat  
Chrysler Automobiles  
Italy S.P.A. and in brief Fiat Group  
Automobiles S.P.A. and Fiat Auto S.P.A.  
Corso Giovanni Agnelli 200, 10135 Torino,  
Italy

(111) M 1997 7077 R2  
(156) 2017 10 08  
(186) 2027 10 08  
(732) Fca Italy S.P.A. in extended form Fiat  
Chrysler Automobiles Italy S.P.A. and in  
brief Fiat Group Automobiles S.P.A. and Fiat  
Auto S.P.A.  
Corso Giovanni Agnelli 200, 10135 Torino,  
Italy

(111) M 1997 7080 R2  
(156) 2017 10 08  
(186) 2027 10 08  
(732) HERTZ SYSTEM, INC.  
8501 Williams Road, Estero, Florida 33928,  
USA

(111) M 1997 7081 R2  
(156) 2017 10 08  
(186) 2027 10 08  
(732) HERTZ SYSTEM, INC.  
8501 Williams Road, Estero, Florida 33928,  
USA

(111) M 1997 7296 R2  
(156) 2017 10 22  
(186) 2027 10 22  
(732) CANDY HOOVER GROUP S.R.L.  
Via Comolli, 16, 20861 Brugherio, Monza  
e Brianza, Italy

(111) M 1997 7408 R2  
(156) 2017 11 07  
(186) 2027 11 07  
(732) VIRGIN ENTERPRISES LIMITED  
The Battleship Building, 179 Herrow Road,  
London W2 6NB, United Kingdom

(111) M 1997 7635 R2  
(156) 2017 11 20  
(186) 2027 11 20

(732) LES GRANDS CHAIS DE FRANCE SAS  
1, Rue de la Division Leclerc, 67290  
Petersbach, France

---

(111) M 1997 7844 R2  
(156) 2017 12 15  
(186) 2027 12 15  
(732) GOLDEN LADY COMPANY S.P.A.  
Via Leopardi 3/5, 46043 Castiglione delle  
Stiviere (MN), Italy

---

(111) M 1997 7871 R2  
(156) 2017 12 16  
(186) 2027 12 16  
(732) ARNEG S.P.A.  
Via Venezia 58-Frazione Marsango, 35010  
Campo San Martino (PD), Italy

---

(111) M 1998 8243 R2  
(156) 2018 02 05  
(186) 2028 02 05  
(732) MUNCHENER RUCKVERSICHERUNGS-  
GESELLSCHAFT KTIENGESELLSCHAFT  
IN MENCHEN  
107, Konigstrasse, Munchen 40, Germany

---

(111) M 1998 8379 R2  
(156) 2018 02 20  
(186) 2028 02 20  
(732) FORD-WERKE GMBH  
Henry-Ford Strasse 1, 50725 Cologne,  
Germany

---

## COMPLETE TRANSFER OF RIGHTS

(111) M 1998 010128 R1  
(732) Jacobs Douwe Egberts BR  
Comercialização de Cafés Ltda.  
Av. Dr. Marcos Penteadó de Ulhôa Rodrigues  
939, 2nd Floor, Tamboré, Barueri, 06460  
040, São Paulo, Brazil  
(770) GRANISSIMO CONSULTORIA  
EMPRESARIAL LTDA  
Av. Fernando Cerqueira Cesar Coimbra,  
100, sala 1 - Pq. Jubran, City of Barueri,  
state of São Paulo, Brazil  
(580) 2018 02 13

---

(111) M 2004 015545 R1  
(732) ABIBO MEGENEISHVILI  
Erekle Tatishvilis q. 36, b.3, Georgia  
(770) LTD "GEORGIAN VEGETABLE OIL  
COMPANY QARVA"  
Atonelis q. 31, 0105, Tbilisi, Georgia  
(580) 2018 02 09

---

(111) M 2009 019880 R  
(732) ADMARKA SP. Z O.O.  
Pieńków 149, 05-152 Czosnów, Poland  
(770) PABIANICKIE ZAKLADY  
FARMACEUTYCZNE "POLFA" Spółka  
Akcyjna ul. Marszałka J. Pilsudskiego 5,  
95-200 Pabianice, Poland  
(580) 2018 01 29

---

(111) M 2011 021660 R  
(732) EWM (IP) LIMITED  
Waverrley Mills, Langholm, Dumfriesshire  
DG13 0EB, United Kingdom  
(770) PEACOC'S STORES LIMITED  
Arlington Business Park, Theale, Reading,  
Berkshire RG7 4SD, United Kingdom  
(580) 2018 02 02

---

(111) M 2012 022604 R  
(732) CARDINAL HEALTH SWITZERLAND  
515 GMBH  
Lindenstrasse 10, 6340 Baar, Switzerland  
(770) CORDIS CORPORATION  
6500 Paseo Padre Parkway, Fremont,  
California 94555, USA  
(580) 2018 02 13

---

(111) M 2012 023207 R  
(732) LTD "NEOGAZI"  
Gazapkhulis q. 18, Tbilisi, Georgia  
(770) LTD "GEORGIAN INTERNATIONAL  
ENERGETICAL CORPORATION"  
Stalinis q. 66, 2309, Manglisi, Tetrtskaros  
r-ni, Georgia  
(580) 2018 01 04

---

(111) M 2012 023208 R  
(732) LTD "NEOGAZI"  
Gazapkhulis q.18, Tbilisi, Georgia  
(770) LTD "GEORGIAN INTERNATIONAL  
ENERGETICAL CORPORATION"  
Stalinis q. 66, 2309, Manglisi, Tetrtskaros  
r-ni, Georgia  
(580) 2018 01 04

---

(111) M 1996 003476 R2  
(732) BOEHRINGER INGELHAIM PHARMA  
GMBH & CO. KG,  
55218 Ingelheim, Germany  
(770) BOEHRINGER INGELHEIM KG.  
Binger Strasse 148, 6507 Ingelheim,  
Germany  
(580) 2018 01 10

---

(111) M 1997 007844 R2  
(732) GOLDEN LADY COMPANY S.P.A.  
Via Leopardi 3/5, 46043 Castiglione delle  
Stiviere (MN), Italy  
(770) GILFIN S.p.A.  
Via Goacomo Leopardi 3/5, I-46043  
CASTIGLIONE DELLE STIVIERE, (MN),  
Italy  
(580) 2018 02 13

---

## CHANGES IN NAMES AND/OR ADDRESSES OF OWNERS

- (111) M 1999 011482 R1  
 (732) ZORLUTEKS TEKSTİL TİCARET VE  
 SANAYİ ANONİM ŞİRKETİ  
 Zorlu Plaza 34310 Avcılar, İstanbul, Turkey  
 (770) ZORLUTEKS TEKSTİL TİCARET VE  
 SANAYİ ANONİM ŞİRKETİ  
 VASIFÇINAR CADDESİ No.91,  
 SULTANHAMAM, İstanbul, Turkey  
 (580) 2018 02 01
- 
- (111) M 1999 011482 R1  
 (732) ZORLUTEKS TEKSTİL TİCARET VE  
 SANAYİ ANONİM ŞİRKETİ  
 Levent 199, Büyükdere Caddesi, No:199,  
 34394 Sisli, İstanbul, Turkey  
 (770) ZORLUTEKS TEKSTİL TİCARET VE  
 SANAYİ ANONİM ŞİRKETİ  
 Zorlu Plaza 34310 Avcılar, İstanbul, Turkey  
 (580) 2018 02 01
- 
- (111) M 2011 021660 R  
 (732) PEACOC STORES LIMITED  
 Arlington Business Park, Theale, Reading,  
 Berkshire RG7 4SD, United Kingdom  
 (770) PEACOC STORES LIMITED  
 Capital Link, Windsor Road Cardiff,  
 CF24 5NG, United Kingdom  
 (580) 2018 02 01
- 
- (111) M 2011 021660 R  
 (732) PEACOC STORES LIMITED  
 Waverrley Mills, Langholm, Dumfriesshire  
 DG13 0EB, United Kingdom  
 (770) EWM (IP) LIMITED  
 Waverrley Mills, Langholm, Dumfriesshire  
 DG13 0EB, United Kingdom  
 (580) 2018 02 02
- 
- (111) M 2012 022604 R  
 (732) CORDIS CORPORATION  
 6500 Paseo Padre Parkway, Fremont,  
 California 94555, USA  
 (770) CORDIS CORPORATION  
 430 Route 22, Bridgewater, NJ, USA  
 (580) 2018 02 13
- 
- (111) M 1996 003936 R2  
 (732) GOLDEN LADY COMPANY S.P.A.  
 Via Leopardi 3/5, 46043 Castiglione delle  
 Stiviere (MN), Italy
- Via Giacomo Leopardi 3/5, 46043  
 Castiglione delle Stiviere (MN), Italy  
 (580) 2018 02 13
- 
- (111) M 1997 006196 R2  
 (732) LENOVO (SINGAPORE) PTE. LTD.  
 151 Lorong Chuan, #02-01 New Tech Park,  
 Singapore 556741, Singapore  
 (770) IBM Products Asia Pte. Ltd.  
 9 Changi Business Park Central 1, Singapore  
 486048, Singapore  
 (580) 2018 02 09
- 
- (111) M 1997 007076 R2  
 (732) Fca Italy S.P.A. in extended form Fiat  
 Chrysler Automobiles Italy S.P.A. and in  
 brief Fiat Group Automobiles S.P.A. and Fiat  
 Auto S.P.A.  
 Corso Giovanni Agnelli 200, 10135 Torino,  
 Italy  
 (770) FIAT AUTO S.P.A.  
 Corso Giovanni Agnelli 200, 10135 Torino,  
 Italy  
 (580) 2018 02 09
- 
- (111) M 1997 007077 R2  
 (732) Fca Italy S.P.A. in extended form Fiat  
 Chrysler Automobiles Italy S.P.A. and in  
 brief Fiat Group Automobiles S.P.A. and Fiat  
 Auto S.P.A.  
 Corso Giovanni Agnelli 200, 10135 Torino,  
 Italy  
 (770) FIAT AUTO S.P.A.  
 Corso Giovanni Agnelli 200, 10135 Torino,  
 Italy  
 (580) 2018 02 09
- 
- (111) M 1997 007080 R2  
 (732) HERTZ SYSTEM, INC.  
 8501 Williams Road, Estero, Florida 33928,  
 USA  
 (770) HERTZ SYSTEM, INC.  
 225 Brae Boulevard, Park Ridge, State  
 of New Jersey 07656, USA  
 (580) 2018 02 09
- 
- (111) M 1997 007081 R2  
 (732) HERTZ SYSTEM, INC.  
 8501 Williams Road, Estero, Florida 33928,  
 USA



(770) HERTZ SYSTEM, INC.  
225 Brae Boulevard, Park Ridge, State of  
New Jersey 07656, USA  
(580) 2018 02 09

---

(111) M 1997 007296 R2  
(732) CANDY HOOVER GROUP S.R.L.  
Via Comolli, 16, 20861 Brugherio, Monza  
e Brianza, Italy  
(770) CANDY ELETTRODOMESTICI S.r.l.  
Via Comolli, 16, 20047 Brugherio (Milano),  
Italy  
(580) 2018 02 09

---

(111) M 1997 007408 R2  
(732) VIRGIN ENTERPRISES LIMITED  
The Battleship Building, 179 Herrow Road,  
London W2 6NB, United Kingdom  
(770) VIRGIN ENTERPRISES LIMITED  
The School House, 50 Brook Green, London  
W6 7RR, United Kingdom  
(580) 2018 02 09

---

(111) M 1997 007635 R2  
(732) LES GRANDS CHAIS DE FRANCE SAS  
1, Rue de la Division Leclerc, 67290  
Petersbach, France  
(770) LES GRANDS CHAIS DE FRANCE  
1, Rue de la Division Leclerc, 67290  
Petersbach, France  
(580) 2018 02 09

---

(111) M 1998 008379 R2  
(732) FORD-WERKE GMBH  
Henry-Ford Strasse 1, 50725 Cologne,  
Germany  
(770) FORD-WERKE AKTIENGEZELLSCHAFT  
Henry-Ford Strasse 1, 50725 Cologne,  
Germany  
(580) 2018 02 13

---

## INVALIDATION OF TRADEMARKS REGISTRATION

- 
- |   |  |
|---|--|
| <p>(111) M 1997 5476 R1<br/> (141) 2007 09 06, The payment for the prolongation of registration on following 10 years is not paid<br/> (732) SYNGENTA PARTICIPATIONS AG<br/> Schwarzwaldallee 215, 4058 Basel, CH</p> | <p>One Fruit of the Loom Drive, Bowling Green, Kentucky, 42103, US</p> |
|---|--|
- 
- |  |  |
|--|--|
| <p>(111) M 1997 5780 R1<br/> (141) 2007 10 03, The payment for the prolongation of registration on following 10 years is not paid<br/> (732) FABERGE LIMITED<br/> Walker House, P.O. Box 908GT, Mary Street, George Town, Grand Cayman, KY</p> | <p>(111) M 1997 5992 R1<br/> (141) 2007 10 18, The payment for the prolongation of registration on following 10 years is not paid<br/> (732) NOXELL CORPORATION<br/> 11050 York Road, Hunt Valley, Maryland 21030-2098, US</p> |
|--|--|
- 
- |  |   |
|--|---|
| <p>(111) M 1997 5782 R1<br/> (141) 2007 10 03, The payment for the prolongation of registration on following 10 years is not paid<br/> (732) MARS INC.<br/> 6885 Elm Street, Mclean, Virginia 22101-3883, US</p> | <p>(111) M 1997 5997 R1<br/> (141) 2007 10 22, The payment for the prolongation of registration on following 10 years is not paid<br/> (732) IRISH SEAFORD INVESTMENT LIMITED<br/> Brook House, Corring Avenue, Dun Laoghaire, Dublin, IE</p> |
|--|---|
- 
- |  |  |
|--|--|
| <p>(111) M 1997 5784 R1<br/> (141) 2007 10 03, The payment for the prolongation of registration on following 10 years is not paid<br/> (732) UNILEVER N.V.<br/> Weena 455, 3013 AL Rotterdam, NL</p> | <p>(111) M 1997 6003 R1<br/> (141) 2007 10 22, The payment for the prolongation of registration on following 10 years is not paid<br/> (732) NOXELL CORPORATION<br/> 11050 York Road, Hunt Valley, Maryland 21030-2098, US</p> |
|--|--|
- 
- |  |  |
|--|--|
| <p>(111) M 1997 5968 R1<br/> (141) 2007 10 17, The payment for the prolongation of registration on following 10 years is not paid<br/> (732) ABBOTT GMBH &amp; CO.KG<br/> Max-Planck-Ring 2, 65205 Wiesbaden, DE</p> | <p>(111) M 1997 6017 R1<br/> (141) 2007 10 22, The payment for the prolongation of registration on following 10 years is not paid<br/> (732) CARAMBA HOLDING GMBH<br/> D-74653 Künzelsau, DE</p> |
|--|--|
- 
- |   |  |
|---|--|
| <p>(111) M 1997 5973 R1<br/> (141) 2007 10 17, The payment for the prolongation of registration on following 10 years is not paid<br/> (732) SCANDINAVIAN TOBACCO GROUP<br/> ASSENS A/S<br/> Tobaksvej 1, 5610 Assens, DK</p> | <p>(111) M 1997 6018 R1<br/> (141) 2007 10 22, The payment for the prolongation of registration on following 10 years is not paid<br/> (732) COLTS &amp; OLD PORT CIGAR COMPANI INC.<br/> c/o James D. Murphy, 44 Chipman Hill, 10th Floor, Saint John, New Brunswick E2L 4S6 Canada, CA</p> |
|---|--|
- 
- |   |   |
|---|---|
| <p>(111) M 1997 5980 R1<br/> (141) 2007 10 18, The payment for the prolongation of registration on following 10 years is not paid<br/> (732) VANITY FAIR INC.</p> | <p>(111) M 1997 6034 R1<br/> (141) 2007 10 23, The payment for the prolongation of registration on following 10 years is not paid<br/> (732) BASF SE<br/> Carl-Bosch-Strasse 38, 67056 Ludwigshafen, DE</p> |
|---|---|
-

(111) M 1997 6035 R1  
(141) 2007 10 23, The payment for the prolongation of registration on following 10 years is not payed  
(732) BASF SE  
Carl-Bosch-Strasse 38, 67056 Ludwigshafen, DE

---

(111) M 1997 6046 R1  
(141) 2007 04 24, The payment for the prolongation of registration on following 10 years is not payed  
(732) BASF SE  
Carl-Bosch-Strasse 38, 67056 Ludwigshafen, DE

---

(111) M 1997 6047 R1  
(141) 2007 04 24 The payment for the prolongation of registration on following 10 years is not payed  
(732) BWA Water Additives UK Limited  
2 Brightgate Way, Manchester, Greater Manchester M32 0TB, GB

---

(111) M 1997 6048 R1  
(141) 2007 04 24, The payment for the prolongation of registration on following 10 years is not payed  
(732) BWA Water Additives UK Limited  
2 Brightgate Way, Manchester, Greater Manchester M32 0TB, GB

---

(111) M 1997 6059 R1  
(141) 2007 04 24, The payment for the prolongation of registration on following 10 years is not payed  
(732) BODE CHEMIE GMBH  
27, Melanchthonstrasse, 22525 Hamburg, DE

---

(111) M 1997 6060 R1  
(141) 2007 04 24, The payment for the prolongation of registration on following 10 years is not payed  
(732) CIBA SPECIALTY CHEMICALS HOLDING INC.  
Klybeckstrasse 141, 4057 Basel, CH

---

(111) M 1997 6064 R1  
(141) 2007 04 24 The payment for the prolongation of registration on following 10 years is not payed  
(732) HORIBA ABX SAS  
Rue du Caducee, Parc Euromedecine, 34000 Montpellier, FR

---

(111) M 1997 6072 R1  
(141) 2007 04 24, The payment for the prolongation of registration on following 10 years is not payed  
(732) CIBA SPECIALTY CHEMICALS HOLDING INC.  
Klybeckstrasse 141, 4057 Basel, CH

---

(111) M 1997 6078 R1  
(141) 2007 04 24, The payment for the prolongation of registration on following 10 years is not payed  
(732) BASF CORPORATION  
3000 Continental Drive-North, Mount Olive, New Jersey 07828-1234, US

---

(111) M 1997 6082 R1  
(141) 2007 04 24, The payment for the prolongation of registration on following 10 years is not payed  
(732) ROTHMANS OF PALL MALL LIMITED  
Zählerweg 4, Zug CH 6300, CH

---

(111) M 1997 6084 R1  
(141) 2007 04 24, The payment for the prolongation of registration on following 10 years is not payed  
(732) SANDOZ GMBH  
Biochemiestrasse 10, 6250 Kundl, AT

---

(111) M 1997 6089 R1  
(141) 2007 04 24, The payment for the prolongation of registration on following 10 years is not payed  
(732) SYNGENTA PARTICIPATIONS AG  
Schwarzwaldallee 215, 4058 Basel, CH

---

(111) M 1997 6093 R1  
(141) 2007 10 24, The payment for the prolongation of registration on following 10 years is not payed  
(732) GENENTECH, INC.  
1 DNA Way, South San Francisco, California 94080-4990, US

---

(111) M 1997 6095 R1  
(141) 2007 10 24, The payment for the prolongation of registration on following 10 years is not payed  
(732) AUTOMOBILES CITROEN  
62, boulevard Victor Hugo F-92200 NEUILLY SUR SEINE FRANKRIKE, FR

---

(111) M 1997 6112 R1  
 (141) 2007 10 25, The payment for the prolongation of registration on following 10 years is not payed  
 (732) PHILIP MORRIS BRANDS SARL  
 Quai Jeanrenaud 3, 2000 Neuchâtel, CH

1006, Oaza Kadoma, Kadoma-shi, Osaka Prefecture, JP

(111) M 1997 6113 R1  
 (141) 2007 10 25, The payment for the prolongation of registration on following 10 years is not payed  
 (732) OTICON A/S  
 Kongebakken 9, DK-2765 Smorum, DK

(111) M 1997 6138 R1  
 (141) 2007 10 29, The payment for the prolongation of registration on following 10 years is not payed  
 (732) GANZONI & CIE AG  
 Groblistrasse 8, 9014 st. Gallen, CH

(111) M 1997 6117 R1  
 (141) 2007 10 25, The payment for the prolongation of registration on following 10 years is not payed  
 (732) BTICINO S.P.A.  
 Via Messina 38, 20154 Milano, IT

(111) M 1997 6141 R1  
 (141) 2007 10 29, The payment for the prolongation of registration on following 10 years is not payed  
 (732) PHARMACIA & UPJOHN COMPANY LLC  
 201 Tabor Road, Morris Plains, N.J. 07950, US

(111) M 1997 6132 R1  
 (141) 2007 10 29, The payment for the prolongation of registration on following 10 years is not payed  
 (732) MATSUSHITA ELECTRIC INDUSTRIAL Co., LTD  
 1006, Oaza Kadoma, Kadoma-shi, Osaka Prefecture, JP

(111) M 1997 6145 R1  
 (141) 2007 10 29, The payment for the prolongation of registration on following 10 years is not payed  
 (732) PHARMACIA & UPJOHN COMPANY LLC  
 201 Tabor Road, Morris Plains, N.J. 07950, US

(111) M 1997 6133 R1  
 (141) 2007 10 29, The payment for the prolongation of registration on following 10 years is not payed  
 (732) MATSUSHITA ELECTRIC INDUSTRIAL Co., LTD  
 1006, Oaza Kadoma, Kadoma-shi, Osaka Prefecture, JP

(111) M 1997 6147 R1  
 (141) 2007 10 29, The payment for the prolongation of registration on following 10 years is not payed  
 (732) INTERGRAPH CORPORATION  
 Huntsville, Alabama 35894-0001, US

(111) M 1997 6134 R1  
 (141) 2007 10 29, The payment for the prolongation of registration on following 10 years is not payed  
 (732) MATSUSHITA ELECTRIC INDUSTRIAL Co., LTD  
 1006, Oaza Kadoma, Kadoma-shi, Osaka Prefecture, JP

(111) M 1997 6148 R1  
 (141) 2007 10 29, The payment for the prolongation of registration on following 10 years is not payed  
 (732) CANON KABUSHIKI KAISHA  
 30-2, 3-chome, shimomaruko, Ohta-ku, Tokyo, JP

(111) M 1997 6135 R1  
 (141) 2007 10 29, The payment for the prolongation of registration on following 10 years is not payed  
 (732) MATSUSHITA ELECTRIC INDUSTRIAL Co., LTD

(111) M 1997 6149 R1  
 (141) 2007 10 29, The payment for the prolongation of registration on following 10 years is not payed  
 (732) CANON KABUSHIKI KAISHA  
 30-2, 3-chome, shimomaruko, Ohta-ku, Tokyo, JP

(111) M 1997 6310 R1  
 (141) 2007 05 11, The payment for the prolongation of registration on following 10 years is not payed  
 (732) GENERAL MILLS MARKETING, INC.

Number One General Mills Boulevard,  
Minneapolis, Minnesota 55426, US

1525 Howe Street, Racine, Wisconsin  
53403, US

(111) M 1997 6323 R1  
(141) 2007 05 11, The payment for the prolonga-  
tion of registration on following 10 years is  
not payed  
(732) BRITISH-AMERICAN TOBACCO  
(GERMANY) GmbH  
Alsterufer 4, D-20354 Hamburg, DE

(111) M 1997 6354 R1  
(141) 2007 11 13, The payment for the prolonga-  
tion of registration on following 10 years is  
not payed  
(732) MICROSOFT CORPORATION  
One Microsoft Way, Redmond, Washington  
98052-6399, US

(111) M 1997 6327 R1  
(141) 2007 05 11, The payment for the prolonga-  
tion of registration on following 10 years is  
not payed  
(732) ZWEIFEL POMY-CHIPS AG  
ZWEIFEL POMY-CHIPS S.A.  
ZWEIFEL POMY-CHIPS CO. LTD  
5, Kesselstrasse (im Hardli), CH-8957  
SPREITENBACH, CH

(111) M 1997 6356 R1  
(141) 2007 11 13, The payment for the prolonga-  
tion of registration on following 10 years is  
not payed  
(732) MICROSOFT CORPORATION  
One Microsoft Way, Redmond, Washington  
98052-6399, US

(111) M 1997 6338 R1  
(141) 2007 11 12, The payment for the prolonga-  
tion of registration on following 10 years is  
not payed  
(732) NOVARTIS AG  
4002 Basel, CH

(111) M 1997 6362 R1  
(141) 2007 11 13, The payment for the prolonga-  
tion of registration on following 10 years is  
not payed  
(732) MEDTECH PRODUCTS, INC.  
660 White Plains Road, Suite 250,  
Tarrytown, NY 10591, US

(111) M 1997 6347 R1  
(141) 2007 11 13, The payment for the prolonga-  
tion of registration on following 10 years is  
not payed  
(732) S.C. JOHNSON & SON, INC.  
a Wisconsin corporation  
1525 Howe Street, Racine, Wisconsin  
53403, US

(111) M 1997 6365 R1  
(141) 2007 11 13 The payment for the prolonga-  
tion of registration on following 10 years is  
not payed  
(732) THE CONCENTRATE MANUFACTU-  
RING COMPANY OF IRELAND  
Swan Building, 3th Floor, 26 Victoria  
Street, Hamilton HM 12, BM

(111) M 1997 6348 R1  
(141) 2007 11 13, The payment for the prolonga-  
tion of registration on following 10 years is  
not payed  
(732) S.C. JOHNSON & SON, INC.  
a Wisconsin corporation  
1525 Howe Street, Racine, Wisconsin  
53403, US

(111) M 1997 6381 R1  
(141) 2007 11 14, The payment for the prolonga-  
tion of registration on following 10 years is  
not payed  
(732) ANHEUSER-BUSCH, LLC  
One Busch Place, St.Louis, Missouri, US

(111) M 1997 6349 R1  
(141) 2007 11 13, The payment for the prolonga-  
tion of registration on following 10 years is  
not payed  
(732) S.C. JOHNSON & SON, INC.  
a Wisconsin corporation

(111) M 1997 6382 R1  
(141) 2007 11 14, The payment for the prolonga-  
tion of registration on following 10 years is  
not payed  
(732) BRITISH-AMERICAN TOBACCO  
(GERMANY) GmbH  
Alsterufer 4, D-20354 Hamburg, DE

---

(111) M 1997 6385 R1  
(141) 2007 11 14, The payment for the prolongation of registration on following 10 years is not payed  
(732) SCHINDLER AUFZUEGE AG  
CH-6030 Edikon, CH

---

(111) M 1997 6390 R1  
(141) 2007 11 14, The payment for the prolongation of registration on following 10 years is not payed  
(732) CHINOIN Gyóyszer-és Vegyészeti Termékek Gyára Zártkörűen Működő Rt., (CHINOIN Zrt.); CHINOIN Pharmaceutical and Chemical Works Private o., Ltd  
CHINOIN avod farmaceuticheskkh i khimicheskikh izdelij Zakritoj A/O  
CHINOIN ZA/O  
H-1045 Budapest, Tó utca 1-5, HU

---

(111) M 1997 6397 R1  
(141) 2007 11 15, The payment for the prolongation of registration on following 10 years is not payed  
(732) FMC CORPORATION  
a Delaware Corporation  
1735 Market Street, Philadelphia,  
Pennsylvania 19103, US

---

(111) M 1997 6400 R1  
(141) 2007 11 15, The payment for the prolongation of registration on following 10 years is not payed  
(732) FMC CORPORATION  
a Delaware Corporation  
1735 Market Street, Philadelphia,  
Pennsylvania 19103, US

---

(111) M 1997 6401 R1  
(141) 2007 11 15, The payment for the prolongation of registration on following 10 years is not payed  
(732) INVENTIO AG  
Postfach 6052, Hergiswil, CH

---

(111) M 1997 6407 R1  
(141) 2007 11 15, The payment for the prolongation of registration on following 10 years is not payed  
(732) THE PROCTER & GAMBLE COMPANY  
One Procter & Gamble Plaza, Cincinnati,  
Ohio, US

---

---

# CLASSIFICATION INDEXES

## INVENTIONS

### CONCORDANCE TABLE OF INTERNATIONAL CLASSIFICATION INDEX AND PUBLICATION NUMBERS

| INTERNATIONAL CLASSIFICATION INDEXES<br>(51)  | NUMBER OF PUBLISHED<br>APPLICATION<br>(10) |
|---|--|
| A 61 K 9/00; A 61 M 15/00; A 61 K 31/167; A 61 K 31/40;<br>B 65 D 83/54; A 61 K 31/573  | AP 2018 14192 A                            |
| A 61 K 31/355; A 61 K 9/00; A 61 K 47/44; A 61 P 11/02  | AP 2018 14463 A                            |
| A 61 K 31/7048; A 61 P 31/04  | AP 2018 14327 A                            |
| A 61 K 39/395   | AP 2018 13302 A                            |
| A 61 M 15/00  | AP 2018 14377 A                            |
| B 22 F 1/00; B 22 F 3/02; B 22 F 3/23; B 22 F 7/00; B 22 F 7/02;<br>C 22 C 29/14; C 22 C 38/14; C 22 C 1/00; C 22 C 1/04;<br>C 22 C 14/00 | AP 2018 14240 A                            |
| C 10 G 1/04   | AP 2018 14071 A                            |
| C 25 C 3/12; C 25 C 3/04; C 25 C 3/22; C 25 C 7/02  | AP 2018 13932 A                            |
| G 06 T 15/00; A 63 F 13/00; G 06 T 17/00; G 06 T 19/00;<br>H 04 N 5/272   | AP 2018 14351 A                            |
| H 02 J 3/18   | AP 2018 14332 A                            |

### CONCORDANCE TABLE OF PUBLICATION NUMBERS AND INTERNATIONAL CLASSIFICATION INDEX

| NUMBER OF PUBLISHED<br>APPLICATION<br>(10) | INTERNATIONAL CLASSIFICATION INDEXES<br>(51)   |
|--|--|
| AP 2018 13302 A                            | A 61 K 39/395  |
| AP 2018 13932 A                            | C 25 C 3/12; C 25 C 3/04; C 25 C 3/22; C 25 C 7/02   |
| AP 2018 14071 A                            | C 10 G 1/04  |
| AP 2018 14192 A                            | A 61 K 9/00; A 61 M 15/00; A 61 K 31/167; A 61 K 31/40;<br>B 65 D 83/54; A 61 K 31/573   |
| AP 2018 14240 A                            | B 22 F 1/00; B 22 F 3/02; B 22 F 3/23; B 22 F 7/00; B 22 F 7/02;<br>C 22 C 29/14; C 22 C 38/14; C 22 C 1/00; C 22 C 1/04; C 22 C 14/00 |
| AP 2018 14327 A                            | A 61 K 31/7048; A 61 P 31/04   |
| AP 2018 14332 A                            | H 02 J 3/18  |
| AP 2018 14351 A                            | G 06 T 15/00; A 63 F 13/00; G 06 T 17/00; G 06 T 19/00;<br>H 04 N 5/272  |
| AP 2018 14377 A                            | A 61 M 15/00   |
| AP 2018 14463 A                            | A 61 K 31/355; A 61 K 9/00; A 61 K 47/44; A 61 P 11/02   |

**CONCORDANCE TABLE OF INTERNATIONAL CLASSIFICATION INDEX,  
PATENT NUMBERS AND PUBLICATION NUMBERS**

| INTERNATIONAL CLASSIFICATION INDEX<br>(51)   | NUMBER<br>OF PATENT<br>(11) | NUMBER<br>OF PUBLISHED<br>APPLICATION<br>(10) |
|--|-----------------------------|---|
| A 61 K 9/00; A 61 K 47/02; A 61 K 31/135   | P 2018 6829 B               | AP 2017 14278 A                               |
| A 61 K 9/20; A 61 K 31/00  | P 2018 6825 B               | AP 2017 14025 A                               |
| A 61 K 9/107; A 61 K 33/22; A 61 K 47/10;<br>A 61 K 47/18; A 61 K 47/26; A 61 K 47/34                                  | P 2018 6824 B               | AP 2017 13578 A                               |
| A 61 K 31/355; A 61 P 11/02; A 61 P 37/08;<br>A 61 K 9/00; A 61 K 45/06  | P 2018 6830 B               | AP 2017 14382 A                               |
| C 07 C 67/29; C 07 C 69/18; C 07 F 7/18;<br>C 12 P 41/00; C 07 C 47/565; C 07 C 47/575;<br>C 07 C 51/377; C 07 C 59/72 | P 2018 6826 B               | AP 2017 14111 A                               |
| C 07 J 7/00; C 07 J 41/00; C 07 J 51/00  | P 2018 6827 B               | AP 2017 14130 A                               |
| F 24 B 1/185; F 23 B 30/04   | P 2018 6828 B               | AP 2017 14275 A                               |

**CONCORDANCE TABLE OF PATENT NUMBERS,  
PUBLICATION NUMBERS AND INTERNATIONAL CLASSIFICATION INDEX**

| NUMBER<br>OF PATENT<br>(11) | NUMBER<br>OF PUBLISHED<br>APPLICATION<br>(10) | INTERNATIONAL CLASSIFICATION<br>INDEX<br>(51)  |
|-----------------------------|---|--|
| P 2018 6824 B               | AP 2017 13578 A                               | A 61 K 9/107; A 61 K 33/22; A 61 K 47/10;<br>A 61 K 47/18; A 61 K 47/26; A 61 K 47/34                                  |
| P 2018 6825 B               | AP 2017 14025 A                               | A 61 K 9/20; A 61 K 31/00  |
| P 2018 6826 B               | AP 2017 14111 A                               | C 07 C 67/29; C 07 C 69/18; C 07 F 7/18;<br>C 12 P 41/00; C 07 C 47/565; C 07 C 47/575;<br>C 07 C 51/377; C 07 C 59/72 |
| P 2018 6827 B               | AP 2017 14130 A                               | C 07 J 7/00; C 07 J 41/00; C 07 J 51/00  |
| P 2018 6828 B               | AP 2017 14275 A                               | F 24 B 1/185; F 23 B 30/04   |
| P 2018 6829 B               | AP 2017 14278 A                               | A 61 K 9/00; A 61 K 47/02; A 61 K 31/135   |
| P 2018 6830 B               | AP 2017 14382 A                               | A 61 K 31/355; A 61 P 11/02; A 61 P 37/08;<br>A 61 K 9/00; A 61 K 45/06  |

**CONCORDANCE TABLE OF APPLICATION NUMBERS, PUBLICATION NUMBERS  
AND PATENTS**

| NUMBER<br>OF APPLICATION<br>(21) | NUMBER OF PUBLISHED<br>APPLICATION<br>(10) | NUMBER OF PATENT<br>(11) |
|----------------------------------|--|--------------------------|
| AP 2013 013578                   | AP 2017 13578 A                            | P 2018 6824 B            |
| AP 2014 014025                   | AP 2017 14025 A                            | P 2018 6825 B            |
| AP 2013 014111                   | AP 2017 14111 A                            | P 2018 6826 B            |
| AP 2014 014130                   | AP 2017 14130 A                            | P 2018 6827 B            |
| AP 2016 014275                   | AP 2017 14275 A                            | P 2018 6828 B            |
| AP 2015 014278                   | AP 2017 14278 A                            | P 2018 6829 B            |
| AP 2015 014382                   | AP 2017 14382 A                            | P 2018 6830 B            |



## UTILITY MODELS

### CONCORDANCE TABLE OF INTERNATIONAL CLASSIFICATION INDEX AND PUBLICATION NUMBERS

| INTERNATIONAL CLASSIFICATION INDEXES<br>(51) | NUMBER OF PUBLISHED<br>APPLICATION<br>(10) |
|--|--|
| A 01 B 51/00; B 62 D 21/00                   | AU 2018 14476 U                            |
| E 04 B 5/00                                  | AU 2018 14331 U                            |
| F 26 B 3/00                                  | AU 2018 14407 U                            |

### CONCORDANCE TABLE OF PUBLICATION NUMBERS AND INTERNATIONAL CLASSIFICATION INDEX

| NUMBER OF PUBLISHED<br>APPLICATION<br>(10) | INTERNATIONAL CLASSIFICATION INDEXES<br>(51) |
|--|--|
| AU 2018 14331 U                            | E 04 B 5/00                                  |
| AU 2018 14407 U                            | F 26 B 3/00                                  |
| AU 2018 14476 U                            | A 01 B 51/00; B 62 D 21/00                   |

### CONCORDANCE TABLE OF INTERNATIONAL CLASSIFICATION INDEX, PATENT NUMBERS AND PUBLICATION NUMBERS

| INTERNATIONAL CLASSIFICATION INDEX<br>(51) | NUMBER<br>OF PATENT<br>(11) | NUMBER<br>OF PUBLISHED<br>APPLICATION<br>(10) |
|--|-----------------------------|---|
| C 25 B 11/12, 1/21                         | U 2018 1961 Y               | AU 2017 14281 U                               |

### CONCORDANCE TABLE OF PATENT NUMBERS, PUBLICATION NUMBERS AND INTERNATIONAL CLASSIFICATION INDEX

| NUMBER<br>OF PATENT<br>(11) | NUMBER<br>OF PUBLISHED<br>APPLICATION<br>(10) | INTERNATIONAL CLASSIFICATION<br>INDEX<br>(51) |
|-----------------------------|---|---|
| U 2018 1961 Y               | AU 2017 14281 U                               | C 25 B 11/12, 1/21                            |

### CONCORDANCE TABLE OF APPLICATION NUMBERS, PUBLICATION NUMBERS AND PATENTS

| NUMBER<br>OF APPLICATION<br>(21) | NUMBER OF PUBLISHED<br>APPLICATION<br>(10) | NUMBER OF PATENT<br>(11) |
|----------------------------------|--|--------------------------|
| AU 2016 014281                   | AU 2017 14281 U                            | U 2018 1961 Y            |

**DESIGNS****CONCORDANCE TABLE OF INTERNATIONAL CLASSIFICATION INDEX  
AND PUBLICATION NUMBERS**

| INTERNATIONAL CLASSIFICATION INDEXES<br>(51) | NUMBER OF PUBLISHED APPLICATION<br>(10) |
|--|---|
| 09-05  | AD 2018 993 S                           |

**CONCORDANCE TABLE OF PUBLICATION NUMBERS  
AND INTERNATIONAL CLASSIFICATION INDEX**

| NUMBER OF PUBLISHED APPLICATION<br>(10) | INTERNATIONAL CLASSIFICATION INDEXES<br>(51) |
|---|--|
| AD 2018 993 S                           | 09-05  |

**DESIGN REGISTERED ACCORDING TO THE ACCELERATED  
PROCEDURE****CONCORDANCE TABLE OF INTERNATIONAL CLASSIFICATION INDEX  
AND PUBLICATION NUMBERS**

| INTERNATIONAL CLASSIFICATION INDEXES<br>(51) | NUMBER OF PUBLISHED APPLICATION<br>(11) |
|--|---|
| 09-03  | D 2018 747 S                            |
| 09-03  | D 2018 748 S                            |

**CONCORDANCE TABLE OF PUBLICATION NUMBERS  
AND INTERNATIONAL CLASSIFICATION INDEX**

| NUMBER OF PUBLISHED APPLICATION<br>(11) | INTERNATIONAL CLASSIFICATION INDEXES<br>(51) |
|---|--|
| D 2018 747 S                            | 09-03  |
| D 2018 748 S                            | 09-03  |

**CONCORDANCE TABLE OF APPLICATION NUMBERS,  
PUBLICATION NUMBERS AND PATENTS**

| NUMBER OF APPLICATION<br>(21) | NUMBER OF PATENT<br>(11) |
|-------------------------------|--------------------------|
| AD 2018 1016                  | D 2018 747 S             |
| AD 2018 1017                  | D 2018 748 S             |

## TRADEMARKS

### CONCORDANCE TABLE OF REGISTRATION NUMBERS, APPLICATION NUMBERS, PUBLICATION NUMBERS AND BULLETIN NUMBERS

| NUMBER OF<br>REGISTRATION<br>(111) | NUMBER OF<br>APPLICATIONS<br>(210) | NUMBER OF<br>PUBLISHED<br>APPLICATIONS<br>(260) | NUMBER OF<br>BULLETIN |
|------------------------------------|------------------------------------|---|-----------------------|
| M 2018 29364 R                     | AM 96157                           | -   | 4(488)2018            |
| M 2018 29365 R                     | AM 96112                           | -   | 4(488)2018            |
| M 2018 29366 R                     | AM 86677                           | AM 2016 86677 A                                 | 24(460)2016           |
| M 2018 29367 R                     | AM 96222                           | -   | 4(488)2018            |
| M 2018 29368 R                     | AM 96279                           | -   | 4(488)2018            |
| M 2018 29369 R                     | AM 87630                           | AM 2016 87630 A                                 | 18(478)2017           |
| M 2018 29370 R                     | AM 88181                           | AM 2016 88181 A                                 | 7(467)2017            |
| M 2018 29371 R                     | AM 88523                           | AM 2016 88523 A                                 | 10(470)2017           |
| M 2018 29372 R                     | AM 88798                           | AM 2016 88798 A                                 | 14(474)2017           |
| M 2018 29373 R                     | AM 89646                           | AM 2016 89646 A                                 | 16(476)2017           |
| M 2018 29374 R                     | AM 89673                           | AM 2016 89673 A                                 | 15(475)2017           |
| M 2018 29375 R                     | AM 89674                           | AM 2016 89674 A                                 | 14(474)2017           |
| M 2018 29376 R                     | AM 89675                           | AM 2016 89675 A                                 | 14(474)2017           |
| M 2018 29377 R                     | AM 89783                           | AM 2016 89783 A                                 | 20(480)2017           |
| M 2018 29378 R                     | AM 89784                           | AM 2016 89784 A                                 | 20(480)2017           |
| M 2018 29379 R                     | AM 89814                           | AM 2016 89814 A                                 | 15(475)2017           |
| M 2018 29380 R                     | AM 89965                           | AM 2016 89965 A                                 | 20(480)2017           |
| M 2018 29381 R                     | AM 90138                           | AM 2016 90138 A                                 | 19(479)2017           |
| M 2018 29382 R                     | AM 90143                           | AM 2016 90143 A                                 | 17(477)2017           |
| M 2018 29383 R                     | AM 90424                           | AM 2017 90424 A                                 | 15(475)2017           |
| M 2018 29384 R                     | AM 90428                           | AM 2017 90428 A                                 | 19(479)2017           |
| M 2018 29385 R                     | AM 90504                           | AM 2017 90504 A                                 | 17(477)2017           |
| M 2018 29386 R                     | AM 90593                           | AM 2017 90593 A                                 | 16(476)2017           |
| M 2018 29387 R                     | AM 90594                           | AM 2017 90594 A                                 | 16(476)2017           |
| M 2018 29388 R                     | AM 90595                           | AM 2017 90595 A                                 | 16(476)2017           |
| M 2018 29389 R                     | AM 90596                           | AM 2017 90596 A                                 | 16(476)2017           |
| M 2018 29390 R                     | AM 90607                           | AM 2017 90607 A                                 | 16(476)2017           |
| M 2018 29391 R                     | AM 90608                           | AM 2017 90608 A                                 | 16(476)2017           |
| M 2018 29392 R                     | AM 90690                           | AM 2017 90690 A                                 | 19(479)2017           |
| M 2018 29393 R                     | AM 90691                           | AM 2017 90691 A                                 | 19(479)2017           |
| M 2018 29394 R                     | AM 90692                           | AM 2017 90692 A                                 | 19(479)2017           |
| M 2018 29395 R                     | AM 90748                           | AM 2017 90748 A                                 | 19(479)2017           |
| M 2018 29396 R                     | AM 90977                           | AM 2017 90977 A                                 | 19(479)2017           |
| M 2018 29397 R                     | AM 91003                           | AM 2017 91003 A                                 | 19(479)2017           |
| M 2018 29398 R                     | AM 91025                           | AM 2017 91025 A                                 | 19(479)2017           |
| M 2018 29399 R                     | AM 91062                           | AM 2017 91062 A                                 | 19(479)2017           |
| M 2018 29400 R                     | AM 91065                           | AM 2017 91065 A                                 | 19(479)2017           |
| M 2018 29401 R                     | AM 91068                           | AM 2017 91068 A                                 | 19(479)2017           |
| M 2018 29402 R                     | AM 91070                           | AM 2017 91070 A                                 | 19(479)2017           |
| M 2018 29403 R                     | AM 91071                           | AM 2017 91071 A                                 | 19(479)2017           |
| M 2018 29404 R                     | AM 91072                           | AM 2017 91072 A                                 | 19(479)2017           |
| M 2018 29405 R                     | AM 91075                           | AM 2017 91075 A                                 | 19(479)2017           |
| M 2018 29406 R                     | AM 91076                           | AM 2017 91076 A                                 | 19(479)2017           |
| M 2018 29407 R                     | AM 91078                           | AM 2017 91078 A                                 | 19(479)2017           |
| M 2018 29408 R                     | AM 91136                           | AM 2017 91136 A                                 | 19(479)2017           |
| M 2018 29409 R                     | AM 91180                           | AM 2017 91180 A                                 | 19(479)2017           |

| 1              | 2        | 3               | 4           |
|----------------|----------|-----------------|-------------|
| M 2018 29410 R | AM 91183 | AM 2017 91183 A | 19(479)2017 |
| M 2018 29411 R | AM 91188 | AM 2017 91188 A | 19(479)2017 |
| M 2018 29412 R | AM 91350 | AM 2017 91350 A | 20(480)2017 |
| M 2018 29413 R | AM 91354 | AM 2017 91354 A | 20(480)2017 |
| M 2018 29414 R | AM 91355 | AM 2017 91355 A | 20(480)2017 |
| M 2018 29415 R | AM 91356 | AM 2017 91356 A | 20(480)2017 |
| M 2018 29416 R | AM 91357 | AM 2017 91357 A | 20(480)2017 |
| M 2018 29417 R | AM 91500 | AM 2017 91500 A | 20(480)2017 |
| M 2018 29418 R | AM 91640 | AM 2017 91640 A | 20(480)2017 |
| M 2018 29419 R | AM 96288 | -               | 4(488)2018  |
| M 2018 29420 R | AM 96292 | -               | 4(488)2018  |

**CONCORDANCE TABLE OF PUBLICATION NUMBERS  
AND APPLICATION NUMBERS**

| NUMBER OF<br>PUBLISHED<br>APPLICATION<br>(260) | NUMBER OF<br>APPLICATION<br>(210) | 1               | 2        |
|--|-----------------------------------|-----------------|----------|
|  |                                   | 1               | 2        |
| AM 2018 89219 A                                | AM 89219                          | AM 2018 92752 A | AM 92752 |
| AM 2018 89220 A                                | AM 89220                          | AM 2018 92753 A | AM 92753 |
| AM 2018 90963 A                                | AM 90963                          | AM 2018 92754 A | AM 92754 |
| AM 2018 91382 A                                | AM 91382                          | AM 2018 92756 A | AM 92756 |
| AM 2018 91538 A                                | AM 91538                          | AM 2018 92762 A | AM 92762 |
| AM 2018 91539 A                                | AM 91539                          | AM 2018 92770 A | AM 92770 |
| AM 2018 91737 A                                | AM 91737                          | AM 2018 92775 A | AM 92775 |
| AM 2018 91935 A                                | AM 91935                          | AM 2018 92793 A | AM 92793 |
| AM 2018 92202 A                                | AM 92202                          | AM 2018 92848 A | AM 92848 |
| AM 2018 92252 A                                | AM 92252                          | AM 2018 92850 A | AM 92850 |
| AM 2018 92253 A                                | AM 92253                          | AM 2018 92851 A | AM 92851 |
| AM 2018 92387 A                                | AM 92387                          | AM 2018 92854 A | AM 92854 |
| AM 2018 92389 A                                | AM 92389                          | AM 2018 92856 A | AM 92856 |
| AM 2018 92398 A                                | AM 92398                          | AM 2018 92884 A | AM 92884 |
| AM 2018 92493 A                                | AM 92493                          | AM 2018 92987 A | AM 92987 |
| AM 2018 92525 A                                | AM 92525                          | AM 2018 92988 A | AM 92988 |
| AM 2018 92530 A                                | AM 92530                          | AM 2018 92990 A | AM 92990 |
| AM 2018 92616 A                                | AM 92616                          | AM 2018 92992 A | AM 92992 |
| AM 2018 92653 A                                | AM 92653                          | AM 2018 93055 A | AM 93055 |
| AM 2018 92654 A                                | AM 92654                          | AM 2018 93056 A | AM 93056 |
| AM 2018 92655 A                                | AM 92655                          | AM 2018 93190 A | AM 93190 |
| AM 2018 92745 A                                | AM 92745                          | AM 2018 93245 A | AM 93245 |
| AM 2018 92751 A                                | AM 92751                          | AM 2018 93296 A | AM 93296 |
|  |                                   | AM 2018 93485 A | AM 93485 |
|  |                                   | AM 2018 93492 A | AM 93492 |
|  |                                   | AM 2018 93606 A | AM 93606 |
|  |                                   | AM 2018 93634 A | AM 93634 |
|  |                                   | AM 2018 93652 A | AM 93652 |

CONCORDANCE TABLE OF INDEX OF GOODS AND/OR SERVICES  
AND APPLICATION NUMBERS

| INDEX OF GOODS<br>AND/OR SERVICES<br>(511) | NUMBER OF<br>PUBLISHED<br>APPLICATIONS<br>(26) | 1  | 2               |
|--|--|----|-----------------|
| 1  | 2  |    |                 |
| 3  | AM 2018 91539 A                                | 21 | AM 2018 92253 A |
| 3  | AM 2018 92202 A                                | 21 | AM 2018 93606 A |
| 3  | AM 2018 92751 A                                | 22 | AM 2018 92252 A |
| 3  | AM 2018 92752 A                                | 22 | AM 2018 92253 A |
| 3  | AM 2018 92754 A                                | 22 | AM 2018 93606 A |
| 3  | AM 2018 92756 A                                | 24 | AM 2018 91538 A |
| 5  | AM 2018 91539 A                                | 24 | AM 2018 91539 A |
| 5  | AM 2018 91935 A                                | 25 | AM 2018 91538 A |
| 5  | AM 2018 92530 A                                | 25 | AM 2018 91539 A |
| 5  | AM 2018 92653 A                                | 25 | AM 2018 92252 A |
| 5  | AM 2018 92654 A                                | 25 | AM 2018 92253 A |
| 5  | AM 2018 92655 A                                | 25 | AM 2018 93606 A |
| 5  | AM 2018 92770 A                                | 26 | AM 2018 92252 A |
| 5  | AM 2018 92775 A                                | 26 | AM 2018 92253 A |
| 5  | AM 2018 92793 A                                | 26 | AM 2018 93606 A |
| 5  | AM 2018 92987 A                                | 28 | AM 2018 91538 A |
| 5  | AM 2018 92988 A                                | 28 | AM 2018 91539 A |
| 5  | AM 2018 92990 A                                | 29 | AM 2018 92389 A |
| 5  | AM 2018 92992 A                                | 29 | AM 2018 93056 A |
| 5  | AM 2018 93055 A                                | 30 | AM 2018 91539 A |
| 5  | AM 2018 93190 A                                | 30 | AM 2018 92387 A |
| 5  | AM 2018 93245 A                                | 30 | AM 2018 92389 A |
| 8  | AM 2018 91538 A                                | 31 | AM 2018 92762 A |
| 8  | AM 2018 91539 A                                | 31 | AM 2018 93056 A |
| 8  | AM 2018 92202 A                                | 32 | AM 2018 91382 A |
| 9  | AM 2018 89219 A                                | 32 | AM 2018 91737 A |
| 9  | AM 2018 89220 A                                | 32 | AM 2018 92753 A |
| 9  | AM 2018 91538 A                                | 33 | AM 2018 92398 A |
| 9  | AM 2018 92252 A                                | 33 | AM 2018 92745 A |
| 9  | AM 2018 92253 A                                | 34 | AM 2018 92616 A |
| 9  | AM 2018 93606 A                                | 34 | AM 2018 92848 A |
| 10   | AM 2018 91539 A                                | 34 | AM 2018 92850 A |
| 12   | AM 2018 93634 A                                | 34 | AM 2018 92851 A |
| 14   | AM 2018 92202 A                                | 34 | AM 2018 92854 A |
| 16   | AM 2018 91538 A                                | 34 | AM 2018 92856 A |
| 16   | AM 2018 91539 A                                | 34 | AM 2018 93485 A |
| 16   | AM 2018 92252 A                                | 35 | AM 2018 90963 A |
| 16   | AM 2018 92253 A                                | 35 | AM 2018 92252 A |
| 16   | AM 2018 92493 A                                | 35 | AM 2018 92253 A |
| 16   | AM 2018 93606 A                                | 35 | AM 2018 92745 A |
| 18   | AM 2018 91538 A                                | 35 | AM 2018 92751 A |
| 18   | AM 2018 91539 A                                | 35 | AM 2018 92752 A |
| 20   | AM 2018 91538 A                                | 35 | AM 2018 92754 A |
| 20   | AM 2018 91539 A                                | 35 | AM 2018 93606 A |
| 21   | AM 2018 91538 A                                | 36 | AM 2018 92252 A |
| 21   | AM 2018 91539 A                                | 36 | AM 2018 92253 A |
| 21   | AM 2018 92252 A                                | 36 | AM 2018 93606 A |
|  |  | 38 | AM 2018 93296 A |
|  |  | 39 | AM 2018 92884 A |
|  |  | 41 | AM 2018 91538 A |
|  |  | 41 | AM 2018 91539 A |
|  |  | 41 | AM 2018 91737 A |

| 1  | 2               |
|----|-----------------|
| 41 | AM 2018 93296 A |
| 43 | AM 2018 91737 A |
| 43 | AM 2018 92525 A |

| 1  | 2               |
|----|-----------------|
| 43 | AM 2018 93492 A |
| 43 | AM 2018 93652 A |
| 44 | AM 2018 91737 A |

CONCORDANCE TABLE OF INDEX OF GOODS AND/OR SERVICES  
AND NUMBERS OF TRADEMARKS REGISTERED ACCORDING  
TO THE ACCELERATED PROCEDURE

| INDEX OF GOODS AND/OR SERVICES<br>(511) | NUMBERS OF REGISTERED ACCORDING<br>TO THE ACCELERATED PROCEDURE<br>(111) |
|---|--|
| 33                                      | M 2018 29364 R   |
| 34                                      | M 2018 29365 R   |
| 34                                      | M 2018 29419 R   |
| 34                                      | M 2018 29420 R   |
| 43                                      | M 2018 29367 R   |
| 43                                      | M 2018 29368 R   |

# OFFICIAL BULLETIN OF THE INDUSTRIAL PROPERTY

INVENTIONS  
UTILITY MODELS  
DESIGNS  
TRADEMARKS

**4(488)**

EDITOR-IN-CHIEF: N. Bebrishvili

EDITOR-TRANSLATOR: E. Gabunia

PROOFREADER: A. Shikhashvili

COMPUTER LAYOUT: M. Ordenidze  
K. Svanidze

[www.sakpatenti.gov.ge](http://www.sakpatenti.gov.ge)

E-mail: [info@sakpatenti.org.ge](mailto:info@sakpatenti.org.ge)