

Official Bulletin of the Industrial Property

Inventions

Utility Models

Designs

Trademarks



საქართველოს ინტელექტუალური
საკუთრების ეროვნული ცენტრი

საქპატენტი

SAKPATENTI

NATIONAL INTELLECTUAL PROPERTY
CENTER OF GEORGIA

www.sakpatenti.gov.ge

Date of Publication – 2021 03 10

4(560)

INID CODES FOR IDENTIFICATION OF BIBLIOGRAPHIC DATA

INVENTIONS, UTILITY MODELS

- (10) Number of publication for application, which has been examined
- (11) Number of patent and kind of document
- (21) Serial number of application
- (22) Date of filing of the application
- (23) Date of exhibition or the date of the earlier filing and the number of application, if any
- (24) Date from which patent may have effect
- (31) Number of priority application
- (32) Date of filing of priority application
- (33) Code of the country or regional organization allotting priority application number
- (44) Date of publication of application not granted, but examined and number of bulletin
- (45) Date of publication of registered document
- (51) International Patent Classification Index

- (54) Title of the invention
- (57) Abstract
- (60) Number of examined patent document granted by foreign patent office, date from which patent has effect and country code
- (62) Number of the earlier application and in case of divided application, date of filing an application
- (71) Name, surname and address of applicant (country code)
- (72) Name, surname of inventor (country code)
- (73) Name, surname and address of patent owner (country code)
- (74) Name, surname of representative or patent attorney
- (85) Date of commencement of the national phase of International Application
- (86) Number and date of filing of international application
- (87) Number and date of publication of international application
- (94) Calculated date of expiry of the SPC or the duration of the SPC

DESIGNS

- (10) Number of publication for application
- (11) Number of patent and kind of document or number of registration
- (15) Date of registration/Date of patent renewal
- (18) Expected expiration date of patent or registration
- (21) Serial number of application
- (22) Date of filing of the application
- (23) Date of exhibition or the date of the earlier filing and the number of application, if any
- (24) Date from which patent may have effect
- (28) Number of designs included in the application
- (30) Data relating to priority (number of application, date of filing of application, two-letter code identifying the authority with whom the priority application was made)
- (31) Number of priority application
- (32) Date of filing of priority application
- (33) Code of the country or regional organization allotting priority application number
- (34) Two-letter code according to WIPO St.3 identifying the authority with which the priority application was made
- (44) Date of publication of design and number of bulletin (the first publication)
- (45) Date of publication of design registered by WIPO and number of bulletin

- (51) International Classification for designs (class and subclass of the Locarno Classification)
- (54) Title of the invention
- (55) Reproduction of the design
- (57) Description of characteristic features of the design including indication of colors
- (58) Date of recording of any kind of amendment in the Register
- (62) Number of the earlier application, registration and document number and if available the date of filing an application in case of divided application
- (71) Name, surname and address of applicant (country code)
- (72) Name, surname of creator (country code)
- (73) Name, surname and address of patent owner (country code)
- (74) Name, surname of representative or patent attorney
- (81) Contracting states concerned
 - II designated contracting states according to the 1960 Act
 - III designated contracting states according to the 1999 Act
- (85) Owner's permanent address
- (86) Owner's nationality
- (87) Owner's residence
- (88) State in which the owner has a real and effective industrial or commercial establishment

TRADEMARKS

- (111) - Number of registration
- (151) - Date of registration
- (156) - Date of the renewal
- (181) - Expected expiration date of registration
- (186) - Renewal expiration date of registration
- (141) - Date of cancel of duration of the mark
- (210) - Serial number of application
- (220) - Date of filing of the application
- (230) - Data concerning exhibition
- (260) - Number of application, for which favorable decision of examination about registration has been taken (publication number)
- (310) - Number of the first application
- (320) - Date of filing of the first application
- (330) - Code, identifying national or regional Office where the first application was made
- (511) - International Classification of Goods and Services for the purposes of registration of trade marks and/or list of goods and/or services classified according thereto
- (526) - Disclaimer
- (531) - Description of figurative elements of Trade Marks according to the International Classification of the Figurative Elements of Marks

- (540) - Reproduction of Trade Mark
- (550) - Nature and kind of Trade Mark
- (551) - Indication to the effect that the mark is a collective mark, a certification mark or a guarantee mark
- (554) - Three-dimensional mark
- (580) - Date of recording of any kind changes in respect of applications or registrations
- (591) - Information concerning colors claimed
- (731) - Name and address of the applicant
- (732) - Name and address of the holder of the registration
- (740) - Name and address of the representative
- (750) - Addreses for correspondence
- (770) - Name and address of the previous applicant or holder in case of change in ownership
- (771) - Previous name and address of the applicant or holder in case of change in ownership
- (791) - Name and address of the licensee
- (793) - Indication of conditions and/or restrictions under the license (Type of license, number of license agreement, data of license, data of validity of license)
- (800) - Certain data relating to the international registration of Trade Marks under the Protocol Relating to Madrid Agreement (International registration number
- (852) - Partial cancellation of the list of goods and services
- (891) - Date of subsequent designation

CODES FOR PUBLICATION IN BULLETIN

- (21) AP 0000 000000 - serial number of application for invention
- (10) AP 0000 0000 A - number of published application for invention (first publication)
- (11) P 0000 0000 B - number of patent for invention (second publication)
- (21) API 0000 000000 - number of application for imported patent
- (11) PI 0000 0000 A - number of imported patent (first publication)
- (21) AU 0000 000000 - serial number of application for utility model
- (10) AU 0000 000 U - number of published application for utility model (first publication)
- (11) U 0000 000 Y - number of patent for utility model (second publication)
- (21) AD 0000 000000 - serial number of application for design
- (10) AD 0000 000 S - number of published application for design (first publication)
- (11) D 0000 000 S - registered design

INTERNATIONAL PATENT CLASSIFICATION FOR INVENTIONS AND UTILITY MODELS

- SECTION A - HUMAN NECESSITIES
- SECTION B - PERFORMING OPERATIONS; TRANSPORTING
- SECTION C - CHEMISTRY; METALLURGY
- SECTION D - TEXTILES; PAPER
- SECTION E - FIXED CONSTRUCTIONS
- SECTION F - MECHANICAL ENGINEERING; LIGHTING; HEATING; WEAPONS; BLASTING
- SECTION G - PHYSICS
- SECTION H - ELECTRICITY

-
- M - Trade Mark
 - (210) AM 0000 000000 - Serial number of application;
 - (260) AAM 0000 00000 A - Publication number of application;
 - (111) M 0000 00000 R - Number of registration;
 - (111) MMM0000 00000 Rn - Number of renewals, in which n=1,2,3;
 - (111) M 0000 00000 R(P) - Number of registration under partial assignment of rights
-

Official Bulletin of the Industrial Property

Inventions

Utility Models

Designs

Trademarks

CONTENTS

PUBLISHED TITLES OF PROTECTION	3
INVENTIONS	
▪ APPLICATIONS APPROVED FOR GRANTING PATENTS	4
▪ PATENTED INVENTIONS	6
UTILITY MODELS	
▪ PATENTED UTILITY MODEL	7
DESIGNS	
▪ APPLICATIONS APPROVED FOR REGISTRATION	8
▪ DESIGNS, WHICH HAVE BEEN REGISTERED WITH THE INTERNATIONAL BUREAU CLAIMING PRIORITY ON THE TERRITORY OF GEORGIA	10
TRADEMARKS	
▪ APPLICATIONS FILED UNDER THE NATIONAL PROCEDURE APPROVED FOR REGISTRATION	11
▪ REGISTERED TRADEMARKS	16
▪ TRADEMARKS REGISTERED ACCORDING TO THE ACCELERATED PROCEDURE	18
▪ INTERNATIONAL TRADEMARKS FOR WHICH A DECISION ON GRANTING PROTECTION IS TAKEN	21
▪ INTERNATIONAL TRADEMARKS PROTECTED IN GEORGIA	109
OFFICIAL NOTIFICATIONS	
INVENTIONS	
▪ EXPIRATION OF PATENTS RESTORATION	120
▪ ABOLITION OF PATENTS WITH THE RIGHT TO RESTORE	121
▪ EXPIRATION OF TERM OF RESTORATION OF PATENT	122
▪ EXPIRATION OF PATENTS	124
UTILITY MODELS	
▪ ABOLITION OF PATENTS WITH THE RIGHT TO RESTORE	125
▪ EXPIRATION OF TERM OF RESTORATION OF PATENTS	125
DESIGN	
▪ EXTENSION OF REGISTRATION OF DESIGN	126
▪ CANCELLATION OF REGISTRATION OF DESIGNS	126
▪ EXTENSION OF REGISTRATION OF INTERNATIONAL DESIGNS	127
▪ CANCELLATION OF REGISTRATION OF INTERNATIONAL DESIGNS	133
TRADEMARKS	
▪ RENEWAL OF REGISTRATIONS	136
▪ COMPLETE TRANSFER OF RIGHTS	137
▪ CHANGES OF NAMES AND/OR ADDRESSES OF OWNER	139
▪ CANCELLATION OF TRADEMARKS REGISTRATION	140
▪ REGISTRATION OF LICENSE AGREEMENTS	142
▪ INTERNATIONAL LICENSE AGREEMENT	143
CLASSIFICATION INDEXES	
INVENTIONS	144
UTILITY MODELS	145
DESIGNS	146
TRADEMARKS	147

PUBLISHED TITLES OF PROTECTION

INVENTIONS

- **APPLICATIONS APPROVED FOR GRANTING PATENT:**
15313; 15452; 14669
- **PATENTED INVENTIONS:**
7229, 7230

UTILITY MODELS

- **PATENTED UTILITY MODEL:**
2072

DESIGNS

- **APPLICATIONS APPROVED FOR REGISTRATION:**
1188, 1189
- **DESIGN, WHICH HAVE BEEN REGISTERED WITH THE INTERNATIONAL BUREAU CLAIMING PRIORITY ON THE TERRITORY OF GEORGIA:**
211733

TRADEMARKS

- **APPLICATIONS FILED UNDER THE NATIONAL PROCEDURE APPROVED FOR REGISTRATION:**
06058; 108231; 109007; 109024; 109118; 109127; 109209; 109212; 109214; 109222-109225; 109232; 109288; 109298; 109301; 109303; 109355; 109356; 109368; 109437; 109499, 109500; 109505; 109513
- **REGISTERED TRADEMARKS:**
33738-33760
- **TRADEMARKS REGISTERED ACCORDING TO THE ACCELERATED PROCEDURE:**
33727-33737; 33761
- **INTERNATIONAL TRADEMARKS FOR WHICH A DECISION ON GRANTING PROTECTIONS IS TAKEN:**
105102; 105946*; 106552; 106726; 108012; 108232; 108266; 108282-108287; 108323-108325; 108327; 108329-108340; 108356-108360; 108367; 108371; 108448; 108450-108452; 108463; 108467; 108473; 108475; 108477; 108540; 108544; 108547; 108549; 108621-108631; 108642; 108653; 108655; 108702; 108704, 108705; 108712; 108716-108721; 108727; 108796, 108797; 108803-108810; 108831; 108833; 108835; 108837; 108839-108842; 108844, 108845; 108916; 108918- 108920; 108983; 108985
- **INTERNATIONAL TRADEMARKS PROTECTED IN GEORGIA:**
102849; 105899; 106559; 106572; 106622; 106712; 106737; 106856-106858; 106873, 106874; 106880-106882; 106884, 106885; 106887; 106890-106894; 106896-106905; 106907-106909; 106967-106974; 106977; 106980-106983; 106985; 106987-106990; 106996, 106997; 107000; 107002; 107004, 107005; 107009-107012; 107014; 107020-107025; 107076-107084; 107107; 107108-107116; 107206-107213; 107215; 107227; 107236, 107237; 107256-107258; 107317, 107318; 107320; 107322; 107326; 107374-107380; 107382, 107383; 107418; 107426; 107434, 107435; 107440-107445; 107447; 107502; 107510-107515; 107613, 107614; 107637-107639; 107695; 107714; 107755-107761; 107780-107783; 107785; 107861, 107862

INVENTIONS

APPLICATIONS APPROVED FOR GRANTING PATENTS

The decision can be appealed at the Chamber of Appeal of Sakpatenti within 3 months from the publication or at the Mtskheta District Court Administrative Cases Board (Address: №17, Samkhedro str., Mtskheta), within 1 month following the publication.

PART A

A 01

(10) AP 2021 15313 A (51) Int. Cl. (2006)
A 01 D 46/04

(21) AP 2020 15313 (22) 2020 04 14

(71) Nugzar Ebanoidze (GE)
Didi Dighomi, Petritsi St. 6, app. 160, 0131,
Tbilisi, Georgia (GE)

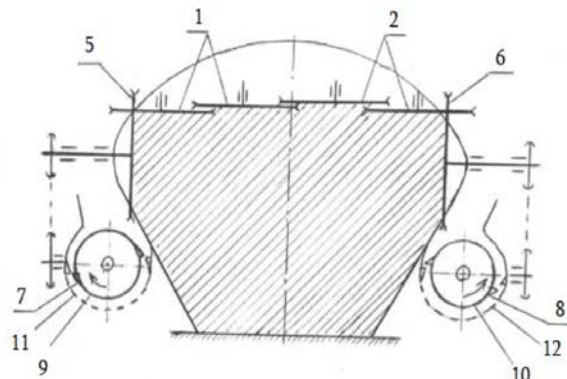
(72) Nugzar Ebanoidze (GE)

(54) COMBINED DEVICE FOR SHAPING OF
POTTY TEA BUSHES

(57) Combined device includes energetical means – pruning apparatus and rotor crushers connected to self-propelled chassis by means of connecting system. Pruning apparatus is executed as two couples of disc saws 1 and 2 disposed inclined in horizontal plane, cut branches outputting on side the shields 3 and 4, and two rotatable disc saws 5 and 6 disposed visavi each other in vertical plane, below whereof the rotor crushers are disposed. Driving of disc saws disposed in vertical plane, and of rotor crushers takes place from individual hydraulic drives 19 and 20.

Claims: 1 independent
1 dependent

Fig.: 2



A 23

(10) AP 2021 15452 A (51) Int. Cl. (2006)
A 23 L 7/10
A 23 L 33/00
B 02 C 7/18
B 02 C 7/12

(21) AP 2020 15452 (22) 2020 09 18

(71) Gela Sulaberidze (GE)
Vazha-Pshavela Av., VI qu., corp. 34, app. 24,
0186, Tbilisi, Georgia (GE)

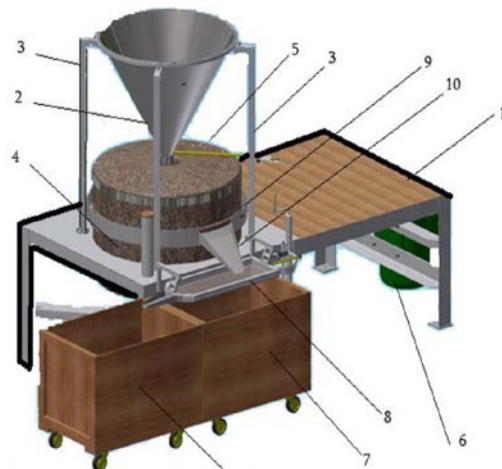
(72) Gela Sulaberidze (GE)

(54) METHOD FOR WHEAT BRAN PREPARATION FOR FEEDING PURPOSES AND EQUIPMENT FOR IMPLEMENTATION THEREOF

(57) A method provides bran mechanical treatment, during whereof jamming of bran by cutting of its peel, and than grinding are executed. For the purpose to implement the method an equipment includes a case 1, chute-like bunker 2, lower immobile stone 4 and lower rotatable stone 5, an actuator 6, a container 7 collecting wheat bran powder, and a sieve 8. Circular cutouts having regulable depth are executed on at least one stone, wherein cutout depth is maximal in stone center and is decreasing towards the periphery thereof.

Claims: 2 independents
4 dependents

Fig. 1



A 61

- (10) AP 2021 14669 A (51) Int. Cl. (2006)
A 61 K 39/395
A 61 K 39/00
A 61 K 9/00
- (21) AP 2016 14669 (22) 2016 06 09
(31) 62/211,109; 62/242,640; 62/175,039
(32) 2015 08 28; 2015 10 16; 2015 06 12
(33) US; US; US
- (71) MACROGENICS, INC. (US)
9704 Medical Center Drive Rockville,
MD 20850, USA (US)
- (72) WIGGINGTON, Jon, Marc (US);
KOENIG, Scott (US);
LECHLEIDER, Robert, Joseph (US);
BONVINI, Ezio (US);
PANDYA, Naimish, Bharat (US)
- (74) Tamaz Shilakadze
- (85) 2018 01 09
- (86) PCT/US2016/036608, 2016 06 09
- (54) COMBINATION THERAPY FOR
TREATMENT OF CANCER
- (57) An invention relates to pharmaceutical composition usage for cancer treatment, wherein it comprises first molecule that specifically binds HER2/neu, and second molecule that specifically binds to cell-surface receptor, particularly PD-1 involved in regulating an immune checkpoint.
Claims: 1 independent
24 dependents
Fig.: 15
-

PATENTED INVENTIONS

PART A

A 61

- (11) P 2021 7230 B (51) Int. Cl. (2006)
 A 61 K 31/4439
 A 61 P 9/00
 A 61 P 27/00
 A 61 P 37/00
 A 61 P 35/00
 C 07 D 401/12
- (10) AP 2020 14932 A (44) 18(550)/2020
 (21) AP 2017 14932
 (22) 2017 04 25
 (24) 2017 04 25
 (31) 16167649.9; 16167650.7
 (32) 2016 04 29; 2016 04 29
 (33) EP; EP
 (86) PCT/EP2017/059764, 2017 04 25
 (73) Bayer Pharma Aktiengesellschaft (DE)
 Müllerstraße 178, 13353 Berlin, Germany (DE)
 (72) THALER, Tobias (DE)
 GUIMOND, Nicolas (DE);
 PLATZEK, Johannes (DE)
 (74) Tamar Kochlamazashvili
 (54) **CRYSTALLINE FORMS OF N-[2-(3-HYDROXY-3-METHYLBUTYL)-6-(2-HYDROXYPROPAN-2-YL)-2H-INDAZOL-5-YL]-6-(TRIFLUOROMETHYL)PYRIDINE-2-CARBOXAMIDE**

- (72) HIGGINS, Brian Sayre (NL);
 TATE III, John Marshall (NL);
 YATES, Robert Arthur (NL);
 POMERLEAU, Marcel Julien (NL);
 HEON, Jon Michael (NL);
 DIRKX, Wilfried Marc Renaat (NL);
 COLOMA GONZÁLEZ, Juan (NL)
 (74) Liliana Darakhvelidze
 (54) **SUBMICRON PARTICLE REMOVAL FROM GAS STREAMS**

PART B

B 01

- (11) P 2021 7229 B (51) Int. Cl. (2006)
 B 01 D 47/06
 B 01 D 47/10
 B 01 D 53/58
 C 05 C 9/00
 C 07 C 273/16
- (10) AP 2020 14950 A (44) 18(550)/2020
 (21) AP 2017 14950
 (22) 2017 05 09
 (24) 2017 05 09
 (73) STAMICARBON B.V. (NL)
 Mercator, 3 NL-6135 KW Sittard,
 Netherlands (NL)

UTILITY MODELS

PATENTED UTILITY MODEL

PART B

B 03

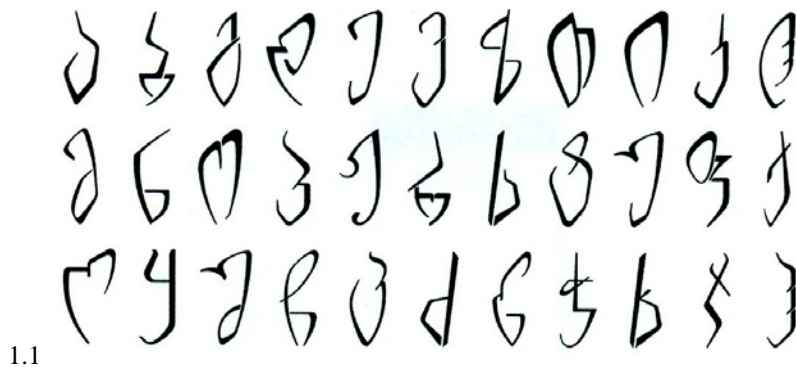
- (11) U 2021 2072 Y (51) Int. Cl. (2006)
 B 03 D 1/001
 B 03 D 1/002
- (10) AU 2020 14810 U (44) 17(549)/2020
- (21) AU 2018 14810
- (22) 2018 06 13
- (24) 2018 06 13
- (31) U 2017 12441
- (32) 2017 12 15
- (33) UA
- (73) ZHULINSKYI, Volodymyr (UA)
 Kurchenko St. 23, app. 33, Stakhanov, Lugansk
 Oblast, Ukraine (UA)
- (72) ZHULINSKYI, Volodymyr (UA)
- (74) Vakhtang Torotadze
- (54) **HEAVY SUSPENCION FOR SOLID
ORE AND UNGRATEFUL MINERALS,
TECHNOLOGICAL AND SECONDARY
ORE SEPARATING AND ENRICHING**
-

DESIGNS

APPLICATIONS APPROVED FOR REGISTRATION

The decision can be appealed at the Chamber of Appeal of Sakpatenti within 3 months from the publication or at the Mtskheta District Court Administrative Cases Board (Address: №17, Samkhedro str., Mtskheta), within 1 month following the publication.

- (10) AD 2021 1188 S (51) 18-03
- (21) AD 2020 1188 (22) 2020 10 14
- (28) 1
- (71) Mamuka Nachkebia (GE)
Irakli Abashidze St. 68, b. 52, 0162, Tbilisi, Georgia (GE)
- (72) Mamuka Nachkebia (GE)
- (74) Nino Bakhtadze (GE)
- (54) FONT
- (55)



1.2

შემოქმედებულია ორგანიზაციის მიერ დაგეგმილია
მისი დანიშნულების მიხედვით ორგანიზაციის
შესაბამისად შეიქმნა ორგანიზაციის
შესაბამისად შეიქმნა ორგანიზაციის
შესაბამისად შეიქმნა ორგანიზაციის

(10) AD 2021 1189 S (51) 29-02
(21) AD 2020 1189 (22) 2020 10 22
(28) 1

(71) Aleksandre Tsivtsivadze (GE)
Revaz Japaridze St. 1, Lane I, House 3, 0179, Tbilisi, Georgia (GE);
Mariam Chakhrakia (GE)
Tamarashvili St. 1, app. 40, 0177, Tbilisi, Georgia (GE)

(72) Alexander Tsivtsivadze (GE);
Mariam Chakhrakia (GE)

(54) VEIL
(55)



1.1



1.2

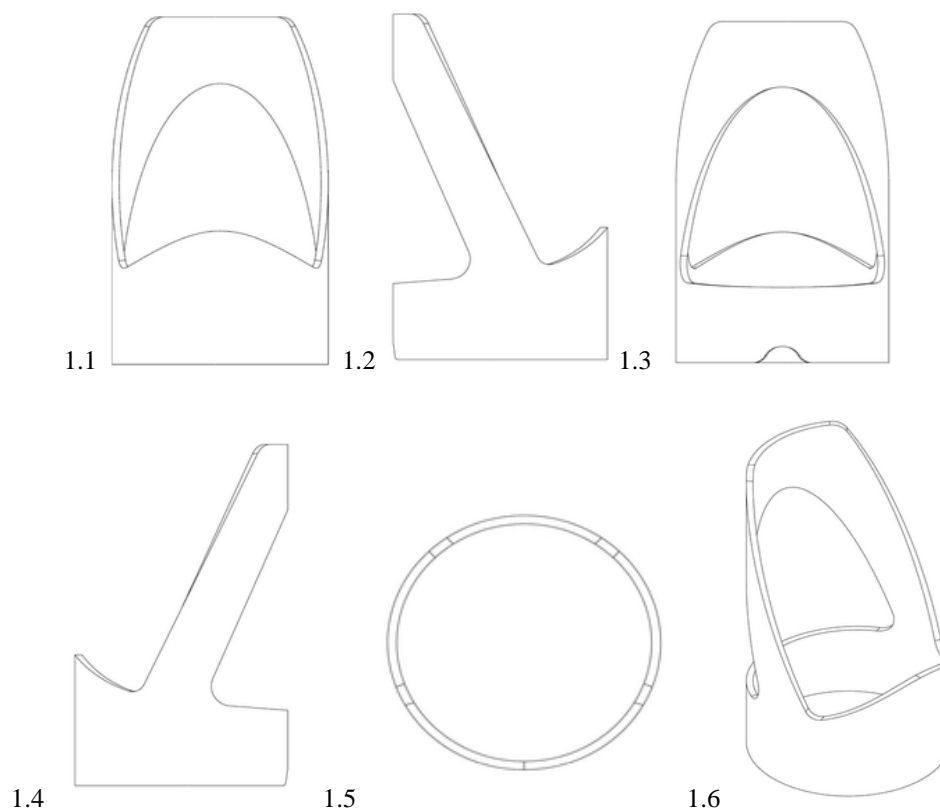


1.3

DESIGN, WHICH HAVE BEEN REGISTERED WITH THE INTERNATIONAL BUREAU CLAIMING PRIORITY ON THE TERRITORY OF GEORGIA

The decision can be appealed at the Chamber of Appeal of Sakpatenti within 3 months from the publication or at the Mtskheta District Court Administrative Cases Board (Address: №17, Samkhedro Str., Mtskheta), within 1 month following the publication.

- (11) DM/211 733 (51) 14-06
 (15) 2020 12 03 (44) 52/2020 (2020 12 25)
 (22) 2020 12 03
 (28) 1
 (73) Jason Brown
 53/3 Plunkett Street Kirribilli, 2061 Sydney (AU)
 (85) GB
 (86) GB
 (87) GB
 (88) GB
 (89) GB
 (81) III. ES, HU, IS, MN, SR, PL, GB, LT, KR, JP, FR, BN, MX, AL, LV, HR, TM, BZ, MC, SG, NA, DE, BA, US, MK, LI, KG, WS, FI, RU, EG, AM, VN, MD, TJ, BW, GH, ST, TR, KH, TN, CH, KP, IL, UA, AZ, ME, SI, BX, OA, NO, RS, EE, OM, GE, CA, RO, SM, EM, DK, SY, RW, BG
 (72) Jason Brown
 53/3 Plunkett Street Kirribilli, 2061 Sydney (AU)
 (74) Jason Brown
 53/3 Plunkett Street Kirribilli, 2061 Sydney (AU)
 (54) 1. Stand for mobile telephones and computer tablets
 (55)



TRADEMARKS

APPLICATIONS FILED UNDER THE NATIONAL PROCEDURE APPROVED FOR REGISTRATION

The decision can be appealed at the Chamber of Appeal of Sakpatenti within 3 months from the publication or at the Mtskheta District Court Administrative Cases Board (Address: №17, Samkhedro St., Mtskheta), within 1 month following the publication.

(260) AM 2021 106058 A

(210) AM 106058

(220) 2019 12 09

(731) LLC "Tbilisi Park"

Funicular, Upper Slope, Plot 01/011, Tbilisi,
Georgia

(740) Nodar Sharabidze

(540)



(591) Green, white, grey, black

(531) 07.01.06; 07.11.25; 21.03.19; 28.19; 29.01.13

(511) 16, 21, 25, 35, 39, 41, 43

(260) AM 2021 108231 A

(210) AM 108231

(220) 2020 05 15

(731) LLC "Georgian Wine House"

Vill. Zegaani, 1500, Gurjaani, Georgia

(740) Sopio Vacheishvili

(540)



(591) Beige, dark brown, black, yellow

(531) 05.01.19; 25.01.19; 28.19; 28.19; 29.01.14

(526) GREMISEULI

(511) 33

(260) AM 2021 109007 A

(210) AM 109007

(220) 2020 07 10

(731) AstraZeneca AB

SE-151 85 Södertälje, Sweden

(740) Tamaz Shilakadze

(540)

BREZTRI

(591) Black-white

(511) 5

(260) AM 2021 109024 A

(210) AM 109024

(220) 2020 07 11

(731) Aleksy Morchiladze

Chkondideli St. 22, 0180, Tbilisi, Georgia

(540)

froztail

(591) Black-white

(511) 30, 36

(260) AM 2021 109118 A

(210) AM 109118

(220) 2020 07 20

(731) LLC "Georgian Wines House"

Vill. Zegaani, 1500, Gurjaani, Georgia

(740) Sopio Vacheishvili

(540)



(591) Golden, white
 (531) 26.01.01; 26.01.04; 26.01.21; 26.01.22; 28.19;
 29.01.02
 (511) 33

(260) AM 2021 109127 A
 (210) AM 109127
 (220) 2020 07 20
 (731) Weichai Power Co., Ltd
 197, Section A, Fu Shou East Street,
 High Technology Industrial Development Zone,
 Shandong Province, Weifang City, China
 (740) Liliana Darakhvelidze
 (540)



(591) Black-white
 (531) 26.13.25; 27.05.01; 27.05.10
 (511) 7

(260) AM 2021 109209 A
 (210) AM 109209
 (220) 2020 07 24
 (731) Ketevan Ratiani
 Politkovskaya St. 3, Tbilisi, Georgia;
 Mariam Shengelia
 Politkovskaya St. 3, Tbilisi, Georgia
 (540)

**მოიარე
 moiare**

(591) Black-white
 (511) 35, 39

(260) AM 2021 109212 A
 (210) AM 109212
 (220) 2020 07 27
 (731) LLC "Euromotors"
 Between Varketili 2 and Vazisubani Settlement,
 0163, Samgori District, Tbilisi, Georgia
 (540)



(591) Grey, light purple, dark purple, white
 (531) 26.13.25; 27.05.01; 27.05.02; 27.05.03;
 27.05.21; 29.01.12
 (511) 12, 35, 37

(260) AM 2021 109214 A
 (210) AM 109214
 (220) 2020 07 28
 (731) Mikheil Guliashvili
 Gldani II mcr., corp. 44, app. 19, Tbilisi,
 Georgia
 (540)

**სომხსი
 AJMA3**

(591) Black-white
 (511) 1

(260) AM 2021 109222 A
 (210) AM 109222
 (220) 2020 07 29
 (731) Sopiko Baghishvili
 Tsotne Dadiani St. 151, 0180, Tbilisi,
 Georgia
 (540)



(591) Red, yellow, white, black, green, brown, lilac
 (531) 08.07.25
 (511) 32

(260) AM 2021 109223 A
 (210) AM 109223
 (220) 2020 07 29
 (731) JSC "Kotekhi-Gurjaani Winery"
 K. Koroghlishvili St. 38, Gurjaani,
 Georgia
 (740) Dimitri Dzamukashvili
 (540)

**მოგზაური
 Mogzauri**

(591) Black-white
 (511) 33

(260) AM 2021 109224 A
 (210) AM 109224
 (220) 2020 07 29
 (731) Obshchestvo s Ogranichenoy
 Otvetsstvenostyu "Standard"
 Nizhegorodskaya Oblast, St. Viksa,
 Borkovskiy Proezd, 26, 607067,
 Russian Federation
 (740) Liliana Darakhvelidze

(540)



(554) Three-dimensional
 (591) Black-white
 (531) 19.03.01; 19.07.01; 19.07.09; 19.07.23;
 24.01.15
 (511) 33

(260) AM 2021 109225 A
 (210) AM 109225
 (220) 2020 07 29
 (731) Obshchestvo s Ogranichenoy
 Otvetstvenostyu "Standard"
 Nizhegorodskaya Oblast, St. Viksa, Borkovskiy
 Proezd, 26, 607067, Russian Federation
 (740) Liliana Darakhvelidze
 (540)



(554) Three-dimensional
 (591) Black-white
 (531) 19.03.01; 19.07.01; 19.07.16; 29.01.13
 (511) 33

(260) AM 2021 109232 A
 (210) AM 109232
 (220) 2020 07 31
 (731) LTD "Georgian Wines House"
 Vill. Zegaani, 1500, Gurjaani,
 Georgia
 (740) Sopio Vacheishvili

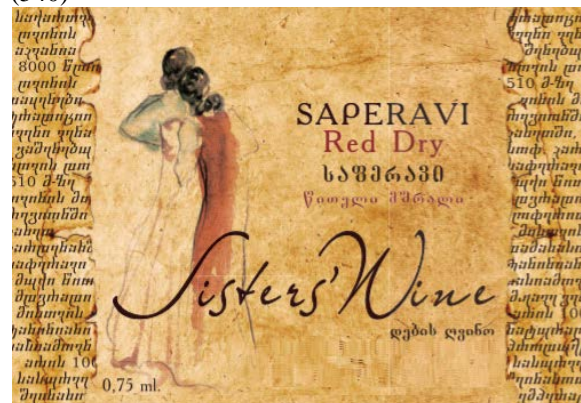
(540)



(591) Black-white
 (531) 24.17.09; 27.05.01; 27.05.10; 27.05.15;
 27.05.21; 28.11
 (511) 43

(260) AM 2021 109288 A
 (210) AM 109288
 (220) 2020 07 31
 (731) LTD "Kardenakhuli"
 Zghvisubani (Temka) III mcr., III qu.,
 corp. 52, app. 12, Tbilisi, Georgia

(540)



(591) Golden, red, black, orange
 (531) 02.03.16; 02.03.23; 02.03.24; 25.01.19;
 27.05.01; 27.05.09; 27.05.10; 29.01.14
 (511) 33

(260) AM 2021 109298 A
 (210) AM 109298
 (220) 2020 08 05
 (731) LLC "Ideal Georgia"
 Pushkin St.56, 6000, Batumi, Georgia
 (740) Khatuna Imnadze
 (540)



(591) Black-white
 (531) 27.05.01; 27.05.03; 27.05.11; 28.19
 (511) 29, 30

(260) AM 2021 109301 A
 (210) AM 109301
 (220) 2020 08 05
 (731) LTD "PARK GIDA"
 5th district, St. 46a, 6200, Vill. Khutsubani,
 Kobuleti Municipality, Georgia
 (740) Dato Jaiani
 (540)

Coality

(591) Black-white
 (511) 32

(260) AM 2021 109303 A
 (210) AM 109303
 (220) 2020 08 06
 (731) Allied Global Tobacco Limited
 Vei Qort Vesti, Iunion Roudi, Farnhami,
 GU9 7PT, Suri, United Kingdom
 (740) Ana Murachashvili-Oniani
 (540)

British Royal

(591) Black-white
 (511) 34

(260) AM 2021 109355 A
 (210) AM 109355
 (220) 2020 08 10
 (731) LTD "CHKVIANI"
 4000 Meskhi St. 9, 0183, Tbilisi, Georgia
 (540)



(591) Black-white
 (531) 01.15.03; 26.01.13; 26.01.16; 26.04.02;
 26.04.22; 26.04.24; 27.05.01; 27.05.24
 (511) 9

(260) AM 2021 109356 A
 (210) AM 109356
 (220) 2020 08 10
 (731) LLC "MGL GEORGIA"
 Pridon Khalvashi Av. 20, corp. A, app. 8,
 6010, Batumi, Georgia
 (540)



(591) Green, red, white
 (531) 07.11.10; 26.11.12; 27.05.01; 27.05.02;
 27.05.03; 27.05.11; 27.05.17; 27.05.23;
 29.01.13
 (511) 39

(260) AM 2021 109368 A
 (210) AM 109368
 (220) 2020 08 12
 (731) Andrey Derizeev
 Ulitsa Fedoskinskaya, dom. 2, kvart. 6,
 Moscow, 129337, Russian Federation
 (740) Nino Gazdeliani
 (540)



(591) Sky-blue, blue, light green, red
 (531) 05.07.16; 20.05.15; 27.05.01; 29.01.15
 (511) 35, 36, 42

(260) AM 2021 109437 A
 (210) AM 109437
 (220) 2020 08 20
 (731) LTD "Ze Gvino"
 Taktakishvili St. 7, app. 5, Tbilisi, Georgia
 (540)



(591) Yellow, red, black, white, amber, brown, green,
 sky-blue, blue, grey, golden, silver, lilac, orange
 (531) 27.05.22; 29.01.15
 (511) 33

(260) AM 2021 109499 A
 (210) AM 109499
 (220) 2020 08 21
 (731) Obshchestvo s Ogranichennoy Otvetstvennostyu
 "Rinwol"
 196084, St. Petersburg, ul. Kievskaya, dom 6,
 bldg. 1, Litera B, Russian federation

(740) Shalva Gvaramadze

(540)

**АКВАМИТ
AQUAMEAT**

(591) Black-white

(511) 2, 5, 35

(260) AM 2021 109500 A

(210) AM 109500

(220) 2020 08 21

(731) Obshchestvo s Ogranichennoy Otvetstvennostyu
"Rinwol"

196084, St. Petersburg, ul. Kievskaya, dom 6,
bldg. 1, Litera B, Russian federation

(740) Shalva Gvaramadze

(540)

**АКБАНАТ
AQUANAT**

(591) Black-white

(511) 2, 5, 35

(260) AM 2021 109505 A

(210) AM 109505

(220) 2020 08 24

(731) LTD "Ameri"

Vill. Karaleti, 1400, Gori Region, Georgia

(540)

Hulzen

(591) Black-white

(511) 34

(260) AM 2021 109513 A

(210) AM 109513

(220) 2020 08 26

(731) Dow AgroSciences LLC

a Delaware limited liability company
9330 Zionsville Road, Indianapolis, Indiana
46268, USA

(740) Tamaz Shilakadze

(540)

HOLZEM

(591) Black-white

(511) 5

REGISTERED TRADEMARKS

(111) M 2021 33738 R
(151) 2021 03 04
(181) 2031 03 04
(260) AM 2019 105761 A
(220) 2019 11 13
(732) LTD "Georgian Wine House"
Vill. Zegaani, 1500, Gurjaani District, Georgia

(111) M 2021 33739 R
(151) 2021 03 04
(181) 2031 03 04
(260) AM 2020 106599 A
(220) 2020 01 14
(732) Giorgi Kandelaki
Variani, 1400, Gori, Georgia

(111) M 2021 33740 R
(151) 2021 03 04
(181) 2031 03 04
(260) AM 2020 106648 A
(220) 2020 01 17
(732) LTD "AD Black Sea"
Sanapiro St. 2a, 0114, Tbilisi, Georgia

(111) M 2021 33741 R
(151) 2021 03 04
(181) 2031 03 04
(260) AM 2020 106779 A
(220) 2020 01 29
(732) LLC "Gevelli"
Sulkhan Tsintsadze St. 59, app. 41, 0160,
Tbilisi, Georgia

(111) M 2021 33742 R
(151) 2021 03 04
(181) 2031 03 04
(260) AM 2020 106794 A
(220) 2020 01 30
(732) Qatar Airways Group (Q.C.S.C)
P.O Box 22550, Doha, Qatar

(111) M 2021 33743 R
(151) 2021 03 04
(181) 2031 03 04
(260) AM 2020 106795 A
(220) 2020 01 30
(732) Qatar Airways Group (Q.C.S.C)
P.O Box 22550, Doha, Qatar

(111) M 2021 33744 R
(151) 2021 03 04
(181) 2031 03 04
(260) AM 2020 106964 A
(220) 2020 02 06
(732) LLC "Sam Support & Management"
Iasamani St. 6, app. 112, Saburtalo District,
Tbilisi, Georgia

(111) M 2021 33745 R
(151) 2021 03 04
(181) 2031 03 04
(260) AM 2020 107148 A
(220) 2020 02 14
(732) LTD "Lopota"
Vill. Napareuli, 2211, Telavi District, Georgia

(111) M 2021 33746 R
(151) 2021 03 04
(181) 2031 03 04
(260) AM 2020 107149 A
(220) 2020 02 14
(732) LTD "Lopota"
Vill. Napareuli, 2211, Telavi District, Georgia

(111) M 2021 33747 R
(151) 2021 03 04
(181) 2031 03 04
(260) AM 2020 107151 A
(220) 2020 02 14
(732) LTD "Lopota"
Vill. Napareuli, 2211, Telavi District, Georgia

(111) M 2021 33748 R
(151) 2021 03 04
(181) 2031 03 04
(260) AM 2020 107152 A
(220) 2020 02 14
(732) LTD "Lopota"
Vill. Napareuli, 2211, Telavi District, Georgia

(111) M 2021 33749 R
(151) 2021 03 04
(181) 2031 03 04
(260) AM 2020 107263 A
(220) 2020 02 21
(732) LTD "Bassiani"
I. Mosashvili St. 7/7, Tbilisi, Georgia

(111) M 2021 33750 R
(151) 2021 03 04
(181) 2031 03 04
(260) AM 2020 107457 A
(220) 2020 03 06

(732) Salih Zerey
Yüzyıl Mah. Barbaros, Cad. 7. Sok. № 14
Bağcılar, İstanbul, Turkey

(111) M 2021 33751 R
(151) 2021 03 04
(181) 2031 03 04
(260) AM 2020 107645 A
(220) 2020 03 20

(732) Big Star Co., Ltd
15 Soi. Rama 2, Soi. 100 Rama 2 Road,
Samaedam, Bangkhunthien, Bangkok 10150,
Thailand

(111) M 2021 33752 R
(151) 2021 03 04
(181) 2031 03 04
(260) AM 2020 107650 A
(220) 2020 03 23

(732) Berlin-Chemie AG
Glienicke Weg 125, Berlin, 12489, Germany

(111) M 2021 33753 R
(151) 2021 03 04
(181) 2031 03 04
(260) AM 2020 107653 A
(220) 2020 03 25

(732) UCL Co., Ltd
67, Eoem 10-gil, Aewol-eup, Jeju-si, Jeju-do,
63038, Republic of Korea

(111) M 2021 33754 R
(151) 2021 03 04
(181) 2031 03 04
(260) AM 2020 107667 A
(220) 2020 03 30

(732) Glanbia Nutritionals (Ireland) Limited
Glanbia House, Kilkenny, Ireland

(111) M 2021 33755 R
(151) 2021 03 04
(181) 2031 03 04
(260) AM 2020 107668 A
(220) 2020 03 30

(732) Glanbia Nutritionals (Ireland) Limited
Glanbia House, Kilkenny, Ireland

(111) M 2021 33756 R
(151) 2021 03 04
(181) 2031 03 04
(260) AM 2020 107671 A
(220) 2020 03 31

(732) Glanbia Nutritional (Ireland) Limited
Glanbia House, Kilkenny, Ireland

(111) M 2021 33757 R
(151) 2021 03 04
(181) 2031 03 04
(260) AM 2020 107807 A
(220) 2020 04 07

(732) Reemtsma Cigarettenfabriken GmbH
Max-Born-Strasse 4, Hamburg, 22761, Germany

(111) M 2021 33758 R
(151) 2021 03 04
(181) 2031 03 04
(260) AM 2020 107815 A
(220) 2020 04 08

(732) LTD "Mrkt.com"
Giorgi Atoneli St. 31, Mtatsminda district, 0108,
Tbilisi, Georgia

(111) M 2021 33759 R
(151) 2021 03 04
(181) 2031 03 04
(260) AM 2020 107924 A
(220) 2020 04 15

(732) Tamaz Bekauri
Oniashvili St. 89, app. 2, 0160, Tbilisi, Georgia

(111) M 2021 33760 R
(151) 2021 03 04
(181) 2031 03 04
(260) AM 2020 108059 A
(220) 2020 04 24

(732) JSC "Gefa"
Akaki Beliashvili St. 142, 0159, Tbilisi, Georgia

**TRADEMARKS REGISTERED ACCORDING TO THE
ACCELERATED PROCEDURE**

The decision can be appealed at the Chamber of Appeal of Sakpatenti within 3 months from the publication.

(111) M 2021 33727 R

(151) 2021 02 22

(181) 2031 02 22

(210) AM 111730

(220) 2021 02 17

(732) LTD "Archidea"

Tskaltubo St., corp.1, app. 34
Tbilisi, Georgia

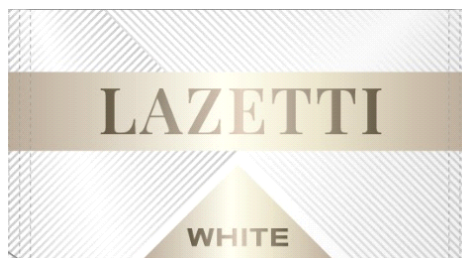
(540)

Archidea
არქიდეა

(591) Black-white

(511) 35, 37

(540)



(591) White, golden

(531) 25.07.15; 26.04.02; 26.04.12; 26.04.22;
26.04.24; 27.05.01; 27.05.10; 29.01.13

(526) LAZETTI

(511) 34

(111) M 2021 33728 R

(151) 2021 02 22

(181) 2031 02 22

(210) AM 111530

(220) 2021 02 04

(732) LTD "Lazeti Tobacco"

Tamar Mepe St. 3, 2100, Zugdidi, Georgia

(540)



(591) FFFFFFF blue, golden

(531) 25.07.15; 26.04.02; 26.04.22; 26.04.24;
27.05.01; 27.05.10; 27.05.24; 29.01.13

(526) LAZETTI

(511) 34

(111) M 2021 33730 R

(151) 2021 03 01

(181) 2031 03 01

(210) AM 111741

(220) 2021 02 18

(732) NPPE "Festival City"

Sarsania St. 26, app. 22, 4400, Poti, Georgia

(540)



(591) 1578EA Blue, yellow, blue, white, orange,
green

(531) 01.03.01; 01.03.06; 01.03.07; 05.01.12;
06.03.02; 27.05.01; 29.01.15

(511) 41

(111) M 2021 33729 R

(151) 2021 02 22

(181) 2031 02 22

(210) AM 111531

(220) 2021 02 04

(732) LTD "Lazeti Tobacco"

Tamar Mepe St. 3, 2100, Zugdidi,
Georgia

(111) M 2021 33731 R

(151) 2021 03 01

(181) 2031 03 01

(210) AM 111880

(220) 2021 02 25

(732) LLC "Buffalos"
M. Tamarashvili Av. 13o, app. 163, Tbilisi,
Georgia

(540)

BFL'S
since 2013

(591) Black-white

(531) 27.05.01; 27.05.10; 27.05.17

(511) 43

(111) M 2021 33732 R

(151) 2021 03 01

(181) 2031 03 01

(210) AM 111691

(220) 2021 02 12

(732) N(N)LE Rural Development Agency
Marshal Gelovani St. 6, Tbilisi, Georgia

(540)



(591) FFFFFFF Green, grey, white

(531) 05.01.02; 07.01.09; 29.01.13

(511) 31, 44

(111) M 2021 33733 R

(151) 2021 03 01

(181) 2031 03 01

(210) AM 111692

(220) 2021 02 12

(732) N(N)LE Rural Development Agency
Marshal Gelovani St. 6, Tbilisi, Georgia

(540)



(591) Green, grey, white

(531) 05.01.02; 07.01.01; 07.01.09; 29.01.13

(511) 31, 44

(111) M 2021 33734 R

(151) 2021 03 01

(181) 2031 03 01

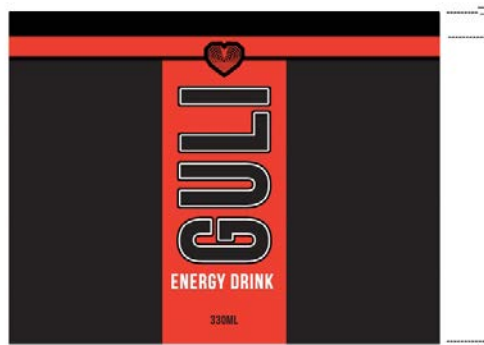
(210) AM 111729

(220) 2021 02 17

(732) Fuad Mamedov

Zhordania St. 6, Dead End I, 3000, Marneuli,
Georgia

(540)



(591) FFFFFFF white, 0A0000 black, F40C2B Red

(531) 25.01.13; 25.01.19; 26.04.07; 26.04.22;

26.04.24; 27.05.01; 27.05.02; 27.05.10;

29.01.13

(511) 32

(111) M 2021 33735 R

(151) 2021 03 01

(181) 2031 03 01

(210) AM 111616

(220) 2021 02 11

(732) GK Corp.

Stepane Zubalashvili St. 32/50, app. 21,
Batumi, Georgia

(540)



(591) Black-white

(531) 27.01.01; 27.01.13; 27.01.25; 27.05.01;

27.05.21

(511) 35, 39, 42,

(111) M 2021 33736 R

(151) 2021 03 01

(181) 2031 03 01

(210) AM 111704

(220) 2021 02 15

(732) Mzia Maghlakelidze

Tsotne Dadiani St. 315, app. 15, 0192, Tbilisi,
Georgia

(740) Giorgi Taktakishvili

(540)

წისკვილი
Tsiskvili

(591) Black-white
(511) 43

(111) M 2021 33737 R
(151) 2021 03 04
(181) 2031 03 04
(210) AM 111727
(220) 2021 02 16
(732) LTD "Jakarta"
Davit Aghmashenebeli Av. 179, app. 39,
Tbilisi, Georgia
(540)



(591) Black, white, light grey
(531) 24.09.01; 24.09.13; 27.05.01; 27.05.10
(511) 33

(111) M 2021 33761 R
(151) 2021 03 04
(181) 2031 03 04
(210) AM 111847
(220) 2021 02 23
(732) LTD "A B M"
Jikia St. 18, app. 16, Vake District, Georgia
(540)



(591) White, black, blue, grey
(531) 26.11.13; 27.05.01; 27.05.10; 27.05.22;
29.01.13
(511) 1, 9

INTERNATIONAL TRADEMARKS FOR WHICH A DECISION ON GRANTING PROTECTIONS IS TAKEN

The decision can be appealed at the Chamber of Appeal of Sakpatenti within 3 months from the publication or at the Mtskheta District Court Administrative Cases Board (Address: №17, Samkhedro str., Mtskheta), within 1 month following the publication.

(260) AM 2021 105102 A
 (800) 1489544
 (151) 2019 04 19
 (891) 2019 04 19
 (731) GSH TRADEMARKS LIMITED
 Afroditis, 25, 2nd Floor, Office 204, Nicosia,
 Cyprus
 (540)



(591) Black, white
 (531) 19.07.02
 (554) მოცულობითი
 (511)
 21 – Bottles; glass jars [carboys].

(260) AM 2021 105946 A*
 (800) 1500717
 (151) 2019 10 01
 (891) 2019 10 01
 (731) EURO MAST INDUSTRIES S.R.L., societate
 Comercială
 Str. Sfântul Nicolae nr. 4, municipiul Rădăuți,
 Județul Suceava, Romania
 (540)



Balkan Pharmaceuticals

(591) White and blue
 (531) 01.13.01; 01.13.15; 14.11.01; 26.11.01;
 26.11.07; 26.11.13; 27.05.09; 29.01.13

(511)
 5 – Pharmaceutical, medical and veterinary products;
 sanitary products for medical use; dietetic food and
 substances for medical or veterinary use, food for ba-
 bies; food supplements for humans and animals; plas-
 ters, material for dressings; materials for filling teeth,
 dental wax; disinfectants; products for destroying ver-
 min; fungicides, herbicides.

(260) AM 2021 106552 A
 (800) 1508240
 (151) 2019 12 04
 (891) 2019 12 04
 (731) CJ CGV CO., LTD.
 I-PARK Mall 6th Fl, 55, Hangang-daero 23-gil,
 Yongsan-gu, Seoul, Republic of Korea
 (540)



(591) Black, white
 (531) 27.05.09; 27.05.10
 (511)
 35 – Cinema advertising; advertising; production of
 advertising matter and commercials.

(260) AM 2021 106726 A
 (800) 1510088
 (151) 2019 12 06
 (891) 2019 12 06
 (731) Spirits Product International Intellectual
 Property B.V.
 44, rue de la Vallée, L-2661 Luxembourg,
 Luxembourg
 (540)



(591) Dark blue, blue, cyan, silver, gold, white, dark grey, light grey and grey

(531) 19.07.01; 19.07.16; 26.01.04; 26.01.17; 27.05.01; 27.05.08; 27.05.17; 29.01.13

(554) მოცულობითი

(511)

33 – Alcoholic beverages, except beers; vodka; alcoholic preparations for making beverages.

(260) AM 2021 108012 A

(800) 1526686

(151) 2020 01 19

(891) 2020 01 19

(731) HUAWEI TECHNOLOGIES CO., LTD.

Administration Building, Huawei Technologies Co., Ltd., Bantian, Longgang District, Shenzhen, China

(540)

Ashley

(591) Black, white

(531) 27.05.01

(511)

42 – Computer software design; updating of computer software; recovery of computer data; maintenance of computer software; computer systems analysis; installation of computer software; data conversion of computer programs and data (not physical conversion); rental of web servers; computer virus protection services; providing search engines for the internet; monitoring of computer systems by remote access; off-site data backup; electronic data storage; cloud computing; outsource service providers in the field of information technology; unlocking of mobile phones; data encryption services; software as a service (SaaS); meteorological information; weather forecasting; technical project studies; research and development of new products for others.

(260) AM 2021 108232 A

(800) 1529768

(151) 2020 01 13

(891) 2020 01 13

(731) CHINA KWEICHOW MOUTAI DISTILLERY (GROUP) CO., LTD.

No.4 East Mountain Lane, East Road of Outside Loop, Guiyang City, 200030 Province, China

(540)

茅台

(591) Black, white

(531) 28.03

(511)

33 – Edible alcohol; gin; digesters [liqueurs and spirits]; curacao; baijiu [chinese distilled alcoholic beverage]; nira [sugarcane-based alcoholic beverage]; pre-mixed alcoholic beverages, other than beer-based; vodka; rum; rice alcohol; alcoholic beverages containing fruit; alcoholic beverages, except beer; alcoholic extracts; alcoholic essences; whisky; sake; perry; piquette; yellow rice wine; peppermint liqueurs; arrack; light sparkling wine; cocktails; cider; distilled beverages; arak [arrack]; aperitifs; anisette [liqueur]; anise [liqueur]; bitters; fruit extracts, alcoholic; brandy; spirits [beverages]; kirsch; hydromel [mead]; liqueurs; wine.

(260) AM 2021 108266 A

(800) 1530555

(151) 2020 02 07

(891) 2020 02 07

(731) OPTIMAPHARM d.d.

Ulica grada Vukovara 284, HR-10000 Zagreb, Croatia

(540)



(591) Dark blue, blue, violet and dark rose

(531) 24.17.01; 24.17.02; 26.01.06; 26.01.24; 27.05.01; 29.01.13

(511)

41 – Electronic publishing services; publication of books; publication of texts, other than publicity texts; online publication of electronic books and journals; providing online electronic publications, not downloadable; news reporters services.

42 – Technical writing; data security consultancy; research and development of new products for others; technical research, clinical trials [conducting], research related to drugs, research on the subject of pharmaceuticals, research and development for the pharmaceutical industry, research and development in the pharmaceutical and biotechnology fields, clinical research, consultancy relating to research and development in the field of therapeutics, consultancy relating to laboratory testing, consultancy in the field of pharmaceutical research, calibration services relating to medical apparatus, research and development of vaccines and medicines, pharmaceutical products research, testing of pharmaceuticals, consultancy relating to pharmacology, pharmaceutical drug development services, biological research, clinical and medical research, medical research, conducting early evaluations in the field of new pharmaceuticals, phar-

maceutical product evaluation, conducting clinical trials for pharmaceutical products, conducting clinical trials in the field of cardiovascular disease, conducting clinical trials, provision of information and data relating to medical and veterinary research and development, providing information about the results of clinical trials for pharmaceutical products, providing medical and scientific research information in the field of pharmaceuticals and clinical trials, providing scientific information in the field of medical disorders and their treatment, development of pharmaceutical preparations and medicines, pharmaceutical products development, consultancy relating to pharmaceutical research and development, consultancy relating to research in the field of pharmacogenetics, pharmaceutical research services, information technology consultancy, design and development services for the pharmaceutical and healthcare industries, dental research laboratory services, medical research services, services for assessing the efficiency of veterinary drugs, services for assessing the efficiency of pharmaceutical preparations, scientific research and development, scientific research in the field of pharmacy, scientific research for medical purposes, in the area of cancerous diseases, quality control, testing of apparatus, research in the field of pharmacogenetics, research on the subject of pharmaceutical preparations, medical research, providing information on clinical studies via an interactive website, pharmaceutical research and development services; scientific research for medical purposes.

(260) AM 2021 108282 A
 (800) 1530869
 (151) 2020 01 25
 (891) 2020 01 25
 (731) DEMI POLAND sp. z o.o. sp.k.
 UL. TRANSPORTOWCÓW 3, PL-39-200
 DEBICA, Poland
 (540)

WOOKAH

(591) Black, white
 (511)
 34 – Electronic hookahs; hookahs; hookah pipes, and tobacco for use with hookah pipes; accessories for hookah pipes, namely: replacement stems, hookah hoses, hookah bases, tobacco bowls, charcoal tongs, plastic hose tips, hookah foil, decorative covers, charcoal screens, flip caps, hose plugs, base protectors, grommet sets, charcoal holders and cleaning kits, namely, brushes or tools specially adapted for cleaning tobacco and hookah pipes; flavoured blends of tobacco and molasses for smoking in hookahs; electronic smoking devices.

43 – Hookah lounge services.

(260) AM 2021 108283 A
 (800) 403823
 (151) 1973 10 29
 (891) 2020 04 28
 (731) JACQUES'S, Société par actions simplifiée
 845 rue Etienne Lenoir, F-30900 NÎMES,
 France
 (540)

Turqyan

(591) Black, white
 (531) 27.05.01; 27.05.07
 (511)
 9 – Helmets, work gloves included in this class.

25 – All types of clothing, especially leather clothing and gloves, footwear and head coverings (headgear), such as headbands, sports headgear.

28 – Sports gloves.

(260) AM 2021 108284 A
 (800) 535003
 (151) 1989 02 15
 (891) 2020 04 22
 (731) TOSO SPA
 Loc. San Bovo, 4, I-12054 COSSANO BELBO,
 Italy
 (540)

TOSO

(591) Black, white
 (531) 27.05.17
 (511)
 33 – Alcoholic beverages (except beers).

(260) AM 2021 108285 A
 (800) 1135807
 (151) 2012 09 24
 (891) 2020 04 24
 (731) PHARMACHEM LABORATORIES, INC.
 265 HARRISON AVENUE, KEARNY, NJ
 07032, USA
 (540)

CRAN-MAX

(591) Black, white
 (511)
 5 – Nutritional supplements prepared with extracts of cranberries.

(260) AM 2021 108286 A

(800) 1278301

(151) 2015 07 08

(891) 2020 03 20

(731) Limited Liability Company "Scientific and production enterprise, Rogneda"
Dorozhnaja str., 4B, g. Staraya Kupavna,
Noginskij District, RU-142450 Moscow region,
Russian Federation

(540)

WOODMASTER

(591) Black, white

(531) 27.05.17

(511)

1 – Disincrustants; antistatic preparations, other than for household purposes; antifreeze; size for use in the textile industry; agglutinants for concrete; gas purifying preparations; polish removing substances; preparations for the separation of greases; water-softening preparations; limestone hardening substances; foundry binding substances; concrete-aeration chemicals; leather-dressing chemicals; chemicals for the manufacture of paints; starch-liquifying chemicals [ungluing agents]; flower preservatives; seed preserving substances; distilled water; acidulated water for recharging accumulators; getters [chemically active substances]; hydrates; detergents for use in manufacturing processes; oil dispersants; additives, chemical, to drilling muds; additives, chemical, to insecticides; chemical additives for oils; additives, chemical, to fungicides; auxiliary fluids for use with abrasives; fluids for hydraulic circuits; liquids for removing sulfates from accumulators; grafting wax for trees; tree cavity fillers [forestry]; glaziers' putty; casein for industrial purposes; caustics for industrial purposes; adhesives for billposting; leather glues; adhesives for wall tiles; adhesives for wallpaper; cement for mending broken articles; gums [adhesives], other than for stationery or household purposes, including gluten [glue], other than for stationery or household purposes; flocculants; starch for industrial purposes; starch paste [adhesive], other than for stationery or household purposes; creosote for chemical purposes; oils for preparing leather in the course of manufacture; carbolineum for the protection of plants; grafting mastic for trees; mastic for leather; cement for pneumatic tires [tyres]; fillers for automobile bodies; oil cement [putty]; synthetic materials for absorbing oil; ceramic materials in particulate form, for use as filtering media; filtering materials [mineral substances]; filtering materials [chemical preparations]; emollients for industrial purposes, including bate for dressing skins; toxic gas neutralizers; purification preparations, including textile-brightening chemicals; wax-bleaching chemicals; fat-bleaching chemicals; plastisol; plasticizers; potash water; rubber preservatives; masonry preservatives, except paints and oils; cement preservatives, except paints and oils; preservatives for

tiles, except paints and oils; bacterial preparations other than for medical and veterinary use; currying preparations for leather; opacifiers for enamel or glass; separating and unsticking [ungluing] preparations; preparations for preventing the tarnishing of glass or lenses; cement-waterproofing chemicals, except paints; anti-boil preparations for engine coolants; scale removing preparations, other than for household purposes; corrosive preparations; degreasing preparations for use in manufacturing processes; degumming preparations; bleaching preparations [decolorants] for industrial purposes, including oil-bleaching chemicals; preparations of trace elements for plants; moistening [wetting] preparations for use in the textile industry; moistening [wetting] preparations for use in dyeing or bleaching; chemical condensation preparations; chemical substances for analyses in laboratories, other than for medical or veterinary purposes; chemical preparations for scientific purposes, other than for medical or veterinary use; engine-decarbonising chemicals; damp-proofing chemicals, except paints, for masonry; mordants for metals; solvents for varnishes; anti-frothing solutions for accumulators; galvanizing baths; drilling muds; soot for industrial or agricultural purposes; artificial resins, unprocessed; salt for preserving, other than for foodstuffs; salts for coloring [colouring] metal; mold-release compounds; fire extinguishing compositions; coolants for vehicle engines; compositions for repairing inner tubes of tires [tyres]; compositions for repairing tires [tyres]; acid proof chemical compositions; glutinous tree-grafting preparations; fireproofing preparations; cement for footwear; concrete preservatives, except paints and oils; water glass [soluble glass]; chemical intensifiers for paper; chemicals for use in forestry, except fungicides, herbicides, insecticides and parasiticides; glass-frosting chemicals; leather-renovating chemicals; enamel and glass-staining chemicals; oil-separating chemicals; water-purifying chemicals; oil-purifying chemicals; radiator flushing chemicals; welding chemicals; stain-preventing chemicals for use on fabrics; anti-tarnishing chemicals for windows; leather-waterproofing chemicals; textile-waterproofing chemicals; chemicals, except pigments, for the manufacture of enamel; leather-impregnating chemicals; textile-impregnating chemicals; agricultural chemicals, except fungicides, herbicides, insecticides and parasiticides; chimney cleaners, chemical; color- [colour-] brightening chemicals for industrial purposes; emulsifiers.

(260) AM 2021 108287 A

(800) 1423867

(151) 2018 03 20

(891) 2020 03 06

(731) PHIACADEMY DOO BEOGRAD
Bulevar Oslobođenja 137, 11000 Beograd,
Serbia

(540)



PHIBROWS

(591) Black, white

(531) 02.09.04; 02.09.25; 24.17.25; 26.13.25;
27.03.02; 27.05.09; 27.05.12; 28.07

(511)

3 – Soaps; perfumery products; essential oils; cosmetics; hair lotions.

8 – Hand-operated hand tools and implements; razors.

10 – Surgical, medical apparatus and instruments; massage apparatus; suture material.

35 – Advertising; commercial business management; commercial administration; office functions.

41 – Education; training; entertainment; sporting and cultural activities.

44 – Medical services; beauty care services.

(260) AM 2021 108323 A

(800) 1531014

(151) 2020 02 24

(891) 2020 02 24

(731) shenzhen marvo technology co., ltd.
601-604, South 6th Fl., Building A, Dongfang
Yayuan Comprehensive Building, Baomin 2nd
Rd., Chentian Community, Xixiang Str., Baoan
Dist., Shenzhen, Guangdong, China

(540)



XTRIKE ME
DREAM MY LIFE

(591) Black, white

(531) 27.05.09; 27.05.10

(511)

9 – Computer peripheral devices; protective films adapted for smartphones; cabinets for loudspeakers; cases for mobile phones; headsets; microphones; USB cables; covers for mobile phones; chargers for electric batteries.

(260) AM 2021 108324 A

(800) 1531033

(151) 2020 02 28

(891) 2020 02 28

(731) Closed Joint-Stock Company "Penza
Confectionery Factory"
ul. Kalinina, d. 112a, RU-440034 Penza,
Russian Federation

(540)



Морской бриз

(591) Black, white

(531) 28.05

(511)

30 – Confectionery; sweets; boiled sweets; fondants; pralines; pastilles; cookies; waffles; pastries.

(260) AM 2021 108325 A

(800) 1531048

(151) 2020 02 28

(891) 2020 02 28

(731) Open-Type Joint Stock Company,
"Confectionary Concern Babayevsky"
ul. Malaya Krasnoselskaya, d. 7; RU-107140
Moscow, Russian Federation

(540)



**МОСКВА
ВЕЧЕРНЯЯ**

(591) Black, white

(531) 27.05.17; 28.05

(511)

30 – Confectionery.

(260) AM 2021 108327 A

(800) 1531056

(151) 2020 02 28

(891) 2020 02 28

(731) Joint Stock Company "Yasnaya Polyana"
Odoyevskoye shosse, 83, RU-300036 Tula,
Russian Federation

(540)



Do-Re-Mi

(591) Black, white

(531) 27.05.15; 27.05.17

(511)

30 – Waffles; malt biscuits; cake frosting [icing]; fruit jellies [confectionery]; confectionery for decorating christmas trees; cakes; pastries; peanut confectionery; almond confectionery; sweets; liquorice [confectionery]; peppermint sweets; crackers; custard; macarons; marzipan; dessert mousses [confectionery]; chocolate mousses; stick liquorice [confectionery]; pastilles [confectionery]; cookies; petit-beurre biscuits; fondants [confectionery]; pralines; gingerbread; confectionery; tarts; halvah; chocolate.

(260) AM 2021 108329 A

(800) 1531106

(151) 2019 09 30

(891) 2019 09 30

(731) Obshchestvo s ogranichennoy otvetstvennostiu "KAMI"

ul. Spartakovskaya, 19, str. 3A, et. 1, pom. 118,

of. 3L, RU-105066 Moskva, Russian Federation

(540)

KAMISPACE

(591) Black, white

(511)

35 – Arranging subscriptions to telecommunication services for others; import-export agency services; commercial information agency services; advertising agencies; cost price analysis; rental of office equipment in co-working facilities; rental of advertising space; business auditing; financial auditing; business intermediary services relating to the matching of potential private investors with entrepreneurs needing funding; employment agency services; computerized file management; book-keeping; invoicing; demonstration of goods; transcription of communications [office functions]; opinion polling; market studies; business information; commercial information and advice for consumers in the choice of products and services; business investigations; business research; marketing research; personnel recruitment; business management and organization consultancy; business organization consultancy; business management consultancy; personnel management consultancy; professional business consultancy; consultancy regarding advertising communication strategies; consultancy regarding public relations communication strategies; layout services for advertising purposes; marketing; marketing in the framework of software publishing; targeted marketing; business management of performing artists; business management of sports people; writing of curriculum vitae for others; scriptwriting for advertising purposes; news clipping services; updating and maintenance of information in registries; updating and maintenance of data in computer databases; updating of advertising material; word processing; online retail services for downloadable and pre-recorded music and movies; online retail services for downloadable ring tones; online retail services for downloadable digital music; organization of exhibitions for commercial or advertising purposes; arranging newspaper subscriptions for others; organization of fashion shows for promotional purposes; organization of trade fairs for commercial or advertising purposes; shop window dressing; design of advertising materials; business appraisals; payroll preparation; data search in computer files for others; sponsorship search; administrative assistance in responding to calls for tenders; business management assistance; commercial or industrial management assistance; commercial intermediation services; providing business information via a

web site; provision of commercial and business contact information; provision of an online marketplace for buyers and sellers of goods and services; web indexing for commercial or advertising purposes; presentation of goods on communication media, for retail purposes; media relations services; economic forecasting; auctioneering; wholesale services for pharmaceutical, veterinary and sanitary preparations and medical supplies; retail services for works of art provided by art galleries; retail services for pharmaceutical, veterinary and sanitary preparations and medical supplies; sales promotion for others; promotion of goods and services through sponsorship of sports events; production of teleshopping programmes; production of advertising films; office machines and equipment rental; rental of advertising time on communication media; publicity material rental; rental of billboards [advertising boards]; rental of vending machines; rental of sales stands; rental of photocopying machines; publication of publicity texts; radio advertising; billposting; distribution of samples; dissemination of advertising matter; direct mail advertising; registration of written communications and data; writing of publicity texts; advertising; online advertising on a computer network; outdoor advertising; advertising by mail order; television advertising; document reproduction; compilation of statistics; compilation of information into computer databases; business inquiries; systemization of information into computer databases; advisory services for business management; corporate communications services; negotiation of business contracts for others; negotiation and conclusion of commercial transactions for third parties; compiling indexes of information for commercial or advertising purposes; tax preparation; drawing up of statements of accounts; telemarketing services; psychological testing for the selection of personnel; interim business management; outsourced administrative management for companies; business management of hotels; business management for freelance service providers; business project management services for construction projects; commercial administration of the licensing of the goods and services of others; business management of reimbursement programmes for others; administration of consumer loyalty programs; administration of frequent flyer programs; administrative processing of purchase orders; public relations; commercial lobbying services; competitive intelligence services; modelling for advertising or sales promotion; typing; market intelligence services; appointment reminder services [office functions]; web site traffic optimisation; relocation services for businesses; tax filing services; search engine optimisation for sales promotion; appointment scheduling services [office functions]; gift registry services; price comparison services; pay per click advertising; secretarial services; procurement services for others [purchasing goods and services for other businesses]; shorthand; outsourcing services [business assistance]; telephone

answering for unavailable subscribers; photocopying services; business efficiency expert services.

36 – Credit bureau services; debt collection agency services; real estate agency services; financial analysis; rental of apartments; rental of offices for co-working; rental of real estate; rental of offices [real estate]; rental of farms; hire-purchase financing; savings bank services; accommodation bureau services [apartments]; rent collection; issuance of travellers' cheques; issuance of credit cards; issuance of tokens of value; capital investment; insurance information; financial information; financial research; clearing, financial; insurance consultancy; financial consultancy; debt advisory services; stock exchange quotations; lending against security; business liquidation services, financial; brokerage; financial management; exchanging money; online banking; processing of debit card payments; processing of credit card payments; factoring; organization of monetary collections; arranging finance for construction projects; antique appraisal; jewellery appraisal; financial evaluation of standing timber; stamp appraisal; real estate appraisal; numismatic appraisal; art appraisal; financial evaluation of development costs relating to the oil, gas and mining industries; financial evaluation of wool; financial evaluation [insurance, banking, real estate]; financial appraisals in responding to calls for tenders; repair costs evaluation [financial appraisal]; electronic funds transfer; surety services; securities brokerage; real estate brokerage; brokerage of carbon credits; insurance brokerage; providing rebates at participating establishments of others through use of a membership card; loans [financing]; pawnbrokerage; providing financial information via a web site; cheque verification; investment of funds; charitable fund raising; stocks and bonds brokerage; financial sponsorship; mortgage banking; instalment loans; insurance underwriting; life insurance underwriting; health insurance underwriting; accident insurance underwriting; marine insurance underwriting; fire insurance underwriting; apartment house management; real estate management; financial management of reimbursement payments for others; actuarial services; banking; stock brokerage services; retirement payment services; bail-bonding; trusteeship; provident fund services; financial customs brokerage services; mutual funds; financing services; safe deposit services; deposits of valuables; fiscal valuation.

38 – News agency services; wireless broadcasting; television broadcasting; cable television broadcasting; electronic bulletin board services [telecommunications services]; information about telecommunication; providing user access to global computer networks; providing access to databases; providing internet chat-rooms; providing telecommunications connections to a global computer network; providing telecommunication channels for teleshopping services; video-on-demand transmission; transmission of greeting cards

online; message sending; computer aided transmission of messages and images; transmission of telegrams; transmission of digital files; providing online forums; videoconferencing services; rental of message sending apparatus; rental of access time to global computer networks; rental of modems; rental of telecommunication equipment; rental of telephones; rental of facsimile apparatus; radio broadcasting; radio communications; transmission of electronic mail; communications by fibre optic networks; communications by cellular phones; communications by computer terminals; satellite transmission; communications by telegrams; communications by telephone; facsimile transmission; paging services [radio, telephone or other means of electronic communication]; teleconferencing services; telex services; voice mail services; telecommunications routing and junction services; streaming of data; telegraph services; telephone services.

41 – Modelling for artists; academies [education]; rental of indoor aquaria; rental of artwork; rental of sports grounds; rental of tennis courts; lending library services; booking of seats for shows; videotaping; physical education; production of music; discotheque services; animal training; dubbing; gambling services; publication of books; education information; recreation information; entertainment information; film distribution; movie studio services; health club services [health and fitness training]; nightclub services [entertainment]; layout services, other than for advertising purposes; microfilming; videotape editing; production of radio and television programmes; screenplay writing; religious education; aikido instruction; gymnastic instruction; judo instruction; correspondence courses; practical training [demonstration]; training services provided via simulators; organization of balls; organization of exhibitions for cultural or educational purposes; providing recreation facilities; arranging and conducting of colloquiums; arranging and conducting of congresses; arranging and conducting of conferences; arranging and conducting of concerts; arranging and conducting of workshops [training]; arranging and conducting of in-person educational forums; arranging and conducting of seminars; arranging and conducting of symposiums; organization of competitions [education or entertainment]; arranging of beauty contests; organization of cosplay entertainment events; organization of lotteries; organization of fashion shows for entertainment purposes; organization of shows [impresario services]; organization of sports competitions; vocational guidance [education or training advice]; amusement park services; sign language interpretation; know-how transfer [training]; television entertainment; mobile library services; vocational retraining; providing online videos, not downloadable; providing online music, not downloadable; providing television programmes, not downloadable, via video-on-demand services; providing films, not downloadable, via video-on-demand servi-

ces; providing golf facilities; providing sports facilities; providing amusement arcade services; cinema presentations; providing online electronic publications, not downloadable; presentation of circus performances; presentation of variety shows; presentation of live performances; theatre productions; conducting guided climbing tours; conducting fitness classes; educational examination; film production, other than advertising films; rental of audio equipment; rental of video cameras; rental of video cassette recorders; rental of videotapes; rental of show scenery; rental of sound recordings; toy rental; rental of cinematographic apparatus; rental of motion pictures; games equipment rental; rental of stadium facilities; rental of lighting apparatus for theatrical sets or television studios; rental of radio and television sets; rental of skin diving equipment; rental of sports equipment, except vehicles; rental of stage scenery; electronic desktop publishing; online publication of electronic books and journals; publication of texts, other than publicity texts; radio entertainment; entertainer services; entertainment services; writing of texts; sado instruction [tea ceremony instruction]; zoological garden services; news reporters services; film directing, other than advertising films; party planning [entertainment]; music composition services; subtitling; tutoring; holiday camp services [entertainment]; video editing services for events; conducting guided tours; disc jockey services; sound engineering services for events; game services provided online from a computer network; personal trainer services [fitness training]; providing casino facilities [gambling]; calligraphy services; karaoke services; club services [entertainment or education]; songwriting; cultural, educational or entertainment services provided by art galleries; providing museum facilities [presentation, exhibitions]; teaching; educational services provided by special needs assistants; educational services provided by schools; orchestra services; translation; scriptwriting, other than for advertising purposes; ticket agency services [entertainment]; educational examination for users to qualify to pilot drones; coaching [training]; lighting technician services for events; sport camp services; recording studio services; language interpreter services; nursery schools; photography; photographic reporting; timing of sports events; boarding school education; production of shows.

(260) AM 2021 108330 A

(800) 1531117

(151) 2020 03 06

(891) 2020 03 06

(731) BERWICK BIOTECH S.a.r.l.

3, Rue Belle-Vue, L-1227 Luxembourg, Grand Duchy of Luxembourg, Luxembourg

(540)

КАРТИЛЕЗА

(591) Black, white

(531) 28.05

(511)

3 – Breath freshening sprays; antiperspirants [toilettries]; flavourings for beverages [essential oils]; food flavourings [essential oils]; joss sticks; aromatics [essential oils]; balms, other than for medical purposes; vaginal washes for personal sanitary or deodorant purposes; petroleum jelly for cosmetic purposes; cotton wool for cosmetic purposes; cotton sticks for cosmetic purposes; laundry bleaching preparations; bleaching preparations [decolorants] for cosmetic purposes; bleaching preparations [decolorants] for household purposes; decorative transfers for cosmetic purposes; depilatory wax; astringents for cosmetic purposes; cloths impregnated with a detergent for cleaning; dental bleaching gels; make-up; deodorants for human beings or for animals; scented water; extracts of flowers [perfumes]; herbal extracts for cosmetic purposes; ethereal essences; essential oils; greases for cosmetic purposes; hair colorants; dentifrices; adhesives for cosmetic purposes; collagen preparations for cosmetic purposes; hair conditioners; cosmetics; cosmetics for children; cosmetics for animals; beauty masks; cosmetic preparations for baths; cosmetic preparations for skin care; cosmetic preparations for slimming purposes; cosmetic creams; hair spray; nail polish; hair lotions; lotions for cosmetic purposes; after-shave lotions; massage gels, other than for medical purposes; massage candles for cosmetic purposes; deodorant soap; shaving soap; cakes of soap; cakes of toilet soap; antiperspirant soap; soap for foot perspiration; soap; cosmetic kits; nail art stickers; fumigation preparations [perfumes]; eau de cologne; cosmetic pencils; oils for toilet purposes; oils for perfumes and scents; oils for cosmetic purposes; mouthwashes, not for medical purposes; bases for flower perfumes; cleansing milk for toilet purposes; cleansers for intimate personal hygiene purposes, non medicated; cleaning preparations; scouring solutions; perfumery; toiletry preparations; perfumes; gel eye patches for cosmetic purposes; pumice stone; pomades for cosmetic purposes; laundry preparations; air fragrancing preparations; bath preparations, not for medical purposes; hair straightening preparations; shaving preparations; depilatory preparations; nail care preparations; hair waving preparations; sun-tanning preparations [cosmetics]; make-up removing preparations; make-up preparations; breath freshening preparations for personal hygiene; denture polishes; dry-cleaning preparations; preparations for cleaning dentures; aloe vera preparations for cosmetic purposes; air fragrance reed diffusers; make-up powder; nail polish removers; eye-washes, not for medical purposes; baby wipes impregnated with cleaning preparations; tissues impreg-

nated with cosmetic lotions; tissues impregnated with make-up removing preparations; teeth whitening strips; breath freshening strips; bath salts, not for medical purposes; sunscreen preparations; douching preparations for personal sanitary or deodorant purposes [toiletries]; talcum powder, for toilet use; toilet water; mascara; cosmetic dyes; phytocosmetic preparations; cleaning preparations; shampoos for pets [non-medicated grooming preparations]; shampoos for animals [non-medicated grooming preparations]; dry shampoos; shampoos; false eyelashes; false nails.

5 – Adjuvants for medical purposes; cooling sprays for medical purposes; acaricides; aconitine; alkaloids for medical purposes; albumin dietary supplements; alginates for pharmaceutical purposes; alginate dietary supplements; algicides; aldehydes for pharmaceutical purposes; amino acids for veterinary purposes; amino acids for medical purposes; analgesics; anaesthetics; antibiotics; anthelmintics; anti-uric preparations; antiseptics; first-aid boxes, filled; aluminium acetate for pharmaceutical purposes; acetates for pharmaceutical purposes; germicides; bacterial preparations for medical and veterinary use; bacteriological preparations for medical and veterinary use; balms for medical purposes; balsamic preparations for medical purposes; royal jelly for pharmaceutical purposes; tobacco-free cigarettes for medical purposes; bandages for dressings; bicarbonate of soda for pharmaceutical purposes; albuminous preparations for medical purposes; albuminous foodstuffs for medical purposes; biological preparations for veterinary purposes; biological preparations for medical purposes; biocides; bismuth subnitrate for pharmaceutical purposes; meal for pharmaceutical purposes; linseed meal for pharmaceutical purposes; flour for pharmaceutical purposes; bracelets impregnated with insect repellent; bromine for pharmaceutical purposes; bronchodilating preparations; vaginal washes for medical purposes; petroleum jelly for medical purposes; vaccines; absorbent wadding; absorbent cotton; antiseptic cotton; aseptic cotton; cotton for medical purposes; wadding for medical purposes; cotton sticks for medical purposes; veterinary preparations; tartar for pharmaceutical purposes; decoctions for pharmaceutical purposes; vitamin preparations; mineral waters for medical purposes; hydrated chloral for pharmaceutical purposes; dietary fibre; charcoal for pharmaceutical purposes; astringents for medical purposes; gases for medical purposes; gallic acid for pharmaceutical purposes; guaiacol for pharmaceutical purposes; sexual stimulant gels; haematogen; haemoglobin; haemostatic pencils; herbicides; sanitary tampons; hydrastine; hydrastinine; mustard for pharmaceutical purposes; mustard oil for medical purposes; mustard plasters; glycerine for medical purposes; glycerophosphates; glucose for medical purposes; homogenized food adapted for medical purposes; hormones for medical purposes; mud for baths; medicinal mud; vulnerary sponges;

rubber for dental purposes; gamboge for medical purposes; gurjun balsam for medical purposes; disinfectants; disinfectants for chemical toilets; disinfectants for hygiene purposes; deodorants for clothing and textiles; deodorants, other than for human beings or for animals; cedar wood for use as an insect repellent; detergents for medical purposes; digitalin; infant formula; diagnostic preparations for veterinary purposes; diagnostic preparations for medical purposes; diastase for medical purposes; dietary supplements for animals; royal jelly dietary supplements; glucose dietary supplements; pollen dietary supplements; dietary supplements with a cosmetic effect; linseed dietary supplements; linseed oil dietary supplements; acai powder dietary supplements; propolis dietary supplements; wheat germ dietary supplements; dietetic beverages adapted for medical purposes; dietetic substances adapted for medical use; dietetic foods adapted for medical purposes; yeast for pharmaceutical purposes; yeast dietary supplements; eucalyptus for pharmaceutical purposes; eucalyptol for pharmaceutical purposes; plant extracts for pharmaceutical purposes; herbal extracts for medical purposes; extracts of hops for pharmaceutical purposes; elixirs [pharmaceutical preparations]; enzymes for veterinary purposes; enzymes for medical purposes; enzyme dietary supplements; enzyme preparations for medical purposes; esters for pharmaceutical purposes; cellulose esters for pharmaceutical purposes; ethers for pharmaceutical purposes; cellulose ethers for pharmaceutical purposes; febrifuges; gelatine for medical purposes; milking grease; greases for veterinary purposes; greases for medical purposes; nicotine gum for use as an aid to stop smoking; chewing gum for medical purposes; nervines; bunion pads; isotopes for medical purposes; immunostimulants; reagent paper for veterinary purposes; reagent paper for medical purposes; insecticides; irish moss for medical purposes; iodine for pharmaceutical purposes; alkaline iodides for pharmaceutical purposes; iodides for pharmaceutical purposes; iodoform; casein dietary supplements; calomel [fungicide]; gum for medical purposes; camphor for medical purposes; camphor oil for medical purposes; capsules for medicines; capsules made of dendrimer-based polymers, for pharmaceuticals; carbolineum [parasiticide]; caustics for pharmaceutical purposes; caustic pencils; cachou for pharmaceutical purposes; quassia for medical purposes; quebracho for medical purposes; oxygen for medical purposes; acids for pharmaceutical purposes; oxygen baths; bone cement for surgical and orthopaedic purposes; fly catching adhesives; adhesive bands for medical purposes; adhesive tapes for medical purposes; adhesives for dentures; cocaine; collagen for medical purposes; collodion for pharmaceutical purposes; compresses; chemical contraceptives; angostura bark for medical purposes; condurango bark for medical purposes; croton bark; mangrove bark for pharmaceutical purposes; myrobalan bark for pharmaceutical purposes; barks for pharmaceutical

purposes; quinquina for medical purposes; rhubarb roots for pharmaceutical purposes; lint for medical purposes; collyrium; cream of tartar for pharmaceutical purposes; creosote for pharmaceutical purposes; blood for medical purposes; depuratives; styptic preparations; dill oil for medical purposes; starch for dietetic or pharmaceutical purposes; biological tissue cultures for veterinary purposes; biological tissue cultures for medical purposes; cultures of microorganisms for medical or veterinary use; curare; dental lacquer; breast-nursing pads; milk sugar for pharmaceutical purposes; adhesive plasters; lecithin for medical purposes; lecithin dietary supplements; fly catching paper; medicines for alleviating constipation; medicines for human purposes; medicines for veterinary purposes; drugs for medical purposes; medicines for dental purposes; medicinal roots; medicated animal feed; medicinal tea; corn remedies; remedies for perspiration; remedies for foot perspiration; medicated dentifrices; medicated hair lotions; medicated after-shave lotions; medicinal drinks; medicinal infusions; medicinal oils; medicated toiletry preparations; medicinal hair growth preparations; medicated eye-washes; medicinal herbs; liniments; liquorice for pharmaceutical purposes; lotions for veterinary purposes; lotions for pharmaceutical purposes; personal sexual lubricants; lupulin for pharmaceutical purposes; magnesia for pharmaceutical purposes; sunburn ointments; ointments for pharmaceutical purposes; frostbite salve for pharmaceutical purposes; gauze for dressings; massage candles for therapeutic purposes; dental impression materials; teeth filling material; medicinal alcohol; medicine cases, portable, filled; medical preparations for slimming purposes; melissa water for pharmaceutical purposes; menthol; almond milk for pharmaceutical purposes; dog washes [insecticides]; animal washes [insecticides]; cattle washes [insecticides]; antibacterial soap; disinfectant soap; medicated soap; mineral food supplements; moulding wax for dentists; moleskin for medical purposes; powdered milk for babies; lacteal flour for babies; milk ferments for pharmaceutical purposes; sea water for medicinal bathing; mint for pharmaceutical purposes; vitamin supplement patches; nicotine patches for use as aids to stop smoking; scapulars for surgical purposes; vesicants; narcotics; linseed for pharmaceutical purposes; tincture of iodine; tinctures for medical purposes; nutraceutical preparations for therapeutic or medical purposes; fumigating sticks; fumigating pastilles; fumigation preparations for medical purposes; cachets for pharmaceutical purposes; wart pencils; oil of turpentine for pharmaceutical purposes; opiates; opium; opodeldoc; mouthwashes for medical purposes; rat poison; poisons; bacterial poisons; stick liquorice for pharmaceutical purposes; paper for mustard plasters; mothproofing paper; parasiticides; pastilles for pharmaceutical purposes; pectin for pharmaceutical purposes; pepsins for pharmaceutical purposes; peptones for pharmaceutical purposes; dressings, me-

dical; hydrogen peroxide for medical purposes; pearl powder for medical purposes; pesticides; antioxidant pills; tanning pills; appetite suppressant pills; slimming pills; babies' nappies; diapers for pets; diapers for incontinence; babies' nappy-pants; blood plasma; by-products of the processing of cereals for dietetic or medical purposes; eyepatches for medical purposes; nutritional supplements; nutritive substances for microorganisms; media for bacteriological cultures; pomades for medical purposes; powder of cantharides; pyrethrum powder; porcelain for dental prostheses; laxatives; bismuth preparations for pharmaceutical purposes; pre-filled syringes for medical purposes; haemorrhoid preparations; preparations for callouses; chilblain preparations; bath preparations for medical purposes; air deodorizing preparations; mothproofing preparations; preparations for reducing sexual activity; preparations for destroying dry rot fungus; larvae exterminating preparations; preparations for destroying mice; fly destroying preparations; slug exterminating preparations; preparations for destroying noxious animals; vermin destroying preparations; acne treatment preparations; preparations for the treatment of burns; lice treatment preparations [pediculicides]; ophotherapy preparations; air purifying preparations; appetite suppressants for medical purposes; sterilizing preparations; soil-sterilizing preparations; contact lens cleaning preparations; aloe vera preparations for pharmaceutical purposes; preparations of trace elements for human and animal use; preparations of microorganisms for medical or veterinary use; preparations to facilitate teething; poultices; chemical conductors for electrocardiograph electrodes; food for babies; sanitary pads; purgatives; propolis for pharmaceutical purposes; protein dietary supplements; protein supplements for animals; asthmatic tea; corn rings for the feet; antiparasitic collars for animals; antiparasitic preparations; anticryptogamic preparations; leeches for medical purposes; radium for medical purposes; radioactive substances for medical purposes; diagnostic biomarker reagents for medical purposes; radiological contrast substances for medical purposes; insect repellents; insect repellent incense; repellents for dogs; digestives for pharmaceutical purposes; fish meal for pharmaceutical purposes; cod liver oil; castor oil for medical purposes; ergot for pharmaceutical purposes; solutions for contact lenses; solvents for removing adhesive plasters; mercurial ointments; sarsaparilla for medical purposes; lead water; sedatives; tissues impregnated with pharmaceutical lotions; serotherapeutic medicines; siccatives [drying agents] for medical purposes; serums; syrups for pharmaceutical purposes; sulfur sticks [disinfectants]; turpentine for pharmaceutical purposes; soporifics; salts for mineral water baths; bath salts for medical purposes; smelling salts; potassium salts for medical purposes; mineral water salts; salts for medical purposes; sodium salts for medical purposes; malt for pharmaceutical purposes; malted milk beverages for medical purposes;

semen for artificial insemination; alcohol for pharmaceutical purposes; alloys of precious metals for dental purposes; douching preparations for medical purposes; steroids; stem cells for veterinary purposes; stem cells for medical purposes; dental abrasives; dental amalgams; dental amalgams of gold; dental mastics; dental cements; strychnine; freeze-dried meat adapted for medical purposes; freeze-dried food adapted for medical purposes; sulfonamides [medicines]; suppositories; lozenges for pharmaceutical purposes; therapeutic preparations for the bath; thermal water; thymol for pharmaceutical purposes; gentian for pharmaceutical purposes; tonics [medicines]; smoking herbs for medical purposes; herbal teas for medicinal purposes; tranquilizers; transplants [living tissues]; pants, absorbent, for incontinence; sanitary panties; tobacco extracts [insecticides]; pharmaceutical preparations; pharmaceutical preparations for treating dandruff; pharmaceutical preparations for skin care; pharmaceutical preparations for treating sunburn; lime-based pharmaceutical preparations; pharmaceuticals; phenol for pharmaceutical purposes; fennel for medical purposes; ferments for pharmaceutical purposes; enzyme preparations for veterinary purposes; injectable dermal fillers; phytotherapy preparations for medical purposes; formic aldehyde for pharmaceutical purposes; phosphates for pharmaceutical purposes; fungicides; chemico-pharmaceutical preparations; chemical preparations for the diagnosis of pregnancy; chemical preparations for treating wheat blight; chemical preparations for treating phyloxera; chemical preparations for treating diseases affecting vine plants; chemical preparations for treating diseases affecting cereal plants; chemical preparations for veterinary purposes; chemical preparations for medical purposes; chemical preparations for pharmaceutical purposes; chemical reagents for medical or veterinary purposes; quinine for medical purposes; chinoline for medical purposes; surgical implants comprised of living tissues; transplants [living tissues]; surgical glues; surgical dressings; diabetic bread adapted for medical use; chloroform; flowers of sulfur for pharmaceutical purposes; cement for animal hooves; medicated candies; crystallized rock sugar for medical purposes; medicated shampoos for pets; insecticidal animal shampoos; medicated shampoos; pediculicidal shampoos; medicated dry shampoos; panty liners [sanitary]; jujube, medicated; jalap.

10 – Aerosol dispensers for medical purposes; obstetric apparatus; analysers for bacterial identification for medical purposes; hot air therapeutic apparatus; heart rate monitoring apparatus; apparatus for dna and rna testing for medical purposes; esthetic massage apparatus; apparatus for acne treatment; massage apparatus; microdermabrasion apparatus; radiotherapy apparatus; body rehabilitation apparatus for medical purposes; apparatus for the regeneration of stem cells for medical purposes; apparatus and installations for

the production of x-rays, for medical purposes; magnetic resonance imaging [mri] apparatus for medical purposes; traction apparatus for medical purposes; dental apparatus and instruments; urological apparatus and instruments; surgical apparatus and instruments; blood testing apparatus; testing apparatus for medical purposes; anaesthetic apparatus; physical exercise apparatus for medical purposes; apparatus for artificial respiration; dental apparatus, electric; bandages for joints, anatomical; bandages, elastic; anti-nausea wristbands; cases fitted for medical instruments; veterinary apparatus and instruments; orthopaedic footwear; hot air vibrators for medical purposes; bed vibrators; vibromassage apparatus; basins for medical purposes; containers especially made for medical waste; ear plugs [ear protection devices]; ear picks; gastroscopes; glucometers; acupuncture needles; needles for medical purposes; surgical sponges; defibrillators; mirrors for dentists; mirrors for surgeons; diagnostic apparatus for medical purposes; dialyzers; radiology screens for medical purposes; electrodes for medical use; electrocardiographs; brain pacemakers; endoscopy cameras for medical purposes; protection devices against x-rays, for medical purposes; probes for medical purposes; dentures; sex toys; biodegradable bone fixation implants; inhalers; injectors for medical purposes; incubators for medical purposes; electric acupuncture instruments; heart pacemakers; quartz lamps for medical purposes; biomagnetic rings for therapeutic or medical purposes; teething rings; blankets, electric, for medical purposes; thermo-electric compresses [surgery]; compression garments; compressors [surgical]; contraceptives, non-chemical; corsets for medical purposes; droppers for medical purposes; armchairs for medical or dental purposes; dentists' armchairs; commode chairs; lasers for medical purposes; curing lamps for medical purposes; lamps for medical purposes; air beds for medical purposes; beds specially made for medical purposes; lenses [intraocular prostheses] for surgical implantation; spoons for administering medicine; love dolls [sex dolls]; gum massagers for babies; gloves for massage; masks for use by medical personnel; therapeutic facial masks; waterbeds for medical purposes; air mattresses for medical purposes; medical apparatus and instruments; crutches; instrument cases for use by doctors; nasal aspirators; cooling patches for medical purposes; scissors for surgery; corn knives; ambulance stretchers; stretchers, wheeled; fumigation apparatus for medical purposes; operating tables; walking frames for disabled persons; orthodontic appliances; orthodontic rubber bands; orthopedic articles; knee bandages, orthopaedic; orthopaedic soles; orthopaedic belts; ophthalmometers; ophthalmoscopes; patient hoists; heating cushions, electric, for medical purposes; cushions for medical purposes; cooling pads for first aid purposes; pumps for medical purposes; receptacles for applying medicines; belts, electric, for medical purposes; belts for medical purposes; galvanic therapeutic appliances;

balling guns; implantable subcutaneous drug delivery devices; artificial limbs; anti-rheumatism bracelets; anti-rheumatism rings; pulse meters; radiological apparatus for medical purposes; resuscitation apparatus; x-ray apparatus for medical purposes; x-ray tubes for medical purposes; x-ray photographs for medical purposes; respirators for artificial respiration; respiratory masks for artificial respiration; surgical cutlery; surgical robots; robotic exoskeleton suits for medical purposes; toe separators for orthopaedic purposes; spirometers [medical apparatus]; stethoscopes; arch supports for footwear; thermal packs for first aid purposes; thermometers for medical purposes; tomographs for medical purposes; arterial blood pressure measuring apparatus; walking sticks for medical purposes; quad canes for medical purposes; radium tubes for medical purposes; ultraviolet ray lamps for medical purposes; physiotherapy apparatus; filters for ultraviolet rays, for medical purposes; dropper bottles for medical purposes; surgical implants comprised of artificial materials; wheeled walkers to aid mobility; boots for medical purposes; tongue depressors for medical purposes; syringes for medical purposes; pins for artificial teeth; artificial skin for surgical purposes; artificial teeth; artificial jaws.

35 – Administrative assistance in responding to requests for proposals [rfps]; administrative assistance in responding to calls for tenders; administrative processing of purchase orders; administration of consumer loyalty programs; cost price analysis; business auditing; financial auditing; auctioneering; outsourced administrative management for companies; accounting; web indexing for commercial or advertising purposes; negotiation of business contracts for others; market studies; opinion polling; demonstration of goods; business inquiries; business management assistance; commercial or industrial management assistance; advisory services for business management; business research; economic forecasting; providing business information via a web site; compilation of information into computer databases; compilation of statistics; providing commercial information and advice for consumers in the choice of products and services; commercial administration of the licensing of the goods and services of others; personnel management consultancy; business management consultancy; consultancy regarding advertising communication strategies; consultancy regarding public relations communication strategies; business organization consultancy; marketing; targeted marketing; marketing research; providing commercial and business contact information; provision of an online marketplace for buyers and sellers of goods and services; organization of exhibitions for commercial or advertising purposes; organization of trade fairs; advisory services for business management; business intermediary services relating to the matching of potential private investors with entrepreneurs needing funding; commercial information

agency services; employment agency services; business efficiency expert services; outsourcing services [business assistance]; competitive intelligence services; corporate communications services; price comparison services; market intelligence services; procurement services for others [purchasing goods and services for other businesses]; media relations services; import-export agency services; advertising agency services; public relations; commercial lobbying services; commercial intermediation services; wholesale services for pharmaceutical, veterinary and sanitary preparations and medical supplies; retail services for pharmaceutical, veterinary and sanitary preparations and medical supplies; data search in computer files for others; sponsorship search; search engine optimization for sales promotion; presentation of goods on communication media, for retail purposes; radio advertising; advertising; pay per click advertising; outdoor advertising; online advertising on a computer network; dissemination of advertising matter; development of advertising concepts; business investigations; systemization of information into computer databases; compiling indexes of information for commercial or advertising purposes; sales promotion for others; promotion of goods and services through sponsorship of sports events; production of teleshopping programmes; television advertising; telemarketing services; negotiation and conclusion of commercial transactions for third parties; professional business consultancy.

(260) AM 2021 108331 A
 (800) 1531124
 (151) 2020 03 06
 (891) 2020 03 06
 (731) BERWICK BIOTECH S.a.r.l.
 3, Rue Belle-Vue, L-1227 Luxembourg,
 Luxembourg
 (540)

ENZYBAR

(591) Black, white
 (511)
 3 – Breath freshening sprays; antiperspirants [toilettries]; flavourings for beverages [essential oils]; food flavourings [essential oils]; joss sticks; aromatics [essential oils]; balms, other than for medical purposes; vaginal washes for personal sanitary or deodorant purposes; petroleum jelly for cosmetic purposes; cotton wool for cosmetic purposes; cotton sticks for cosmetic purposes; laundry bleaching preparations; bleaching preparations [decolorants] for cosmetic purposes; bleaching preparations [decolorants] for household purposes; decorative transfers for cosmetic purposes; depilatory wax; astringents for cosmetic purposes; cloths impregnated with a detergent for cleaning; dental bleaching gels; make-up; deodorants for human beings or for animals; scented water; extracts of flo-

wers [perfumes]; herbal extracts for cosmetic purposes; ethereal essences; essential oils; greases for cosmetic purposes; hair colorants; dentifrices; adhesives for cosmetic purposes; collagen preparations for cosmetic purposes; hair conditioners; cosmetics; cosmetics for children; cosmetics for animals; beauty masks; cosmetic preparations for baths; cosmetic preparations for skin care; cosmetic preparations for slimming purposes; cosmetic creams; hair spray; nail polish; hair lotions; lotions for cosmetic purposes; after-shave lotions; massage gels, other than for medical purposes; massage candles for cosmetic purposes; deodorant soap; shaving soap; cakes of soap; cakes of toilet soap, antiperspirant soap, soap for foot perspiration; soap; cosmetic kits; nail art stickers; fumigation preparations [perfumes]; eau de Cologne; cosmetic pencils; oils for toilet purposes; oils for perfumes and scents; oils for cosmetic purposes; mouthwashes, not for medical purposes; bases for flower perfumes; cleansing milk for toilet purposes; cleansers for intimate personal hygiene purposes, non medicated; cleaning preparations; scouring solutions; perfumery; toiletry preparations; perfumes; gel eye patches for cosmetic purposes; pumice stone; pomades for cosmetic purposes; laundry preparations; air fragrancing preparations; bath preparations, not for medical purposes; hair straightening preparations; shaving preparations; depilatory preparations; nail care preparations; hair waving preparations; sun-tanning preparations [cosmetics]; make-up removing preparations; make-up preparations; breath freshening preparations for personal hygiene; denture polishes; dry-cleaning preparations; preparations for cleaning dentures; aloe vera preparations for cosmetic purposes; air fragrance reed diffusers; make-up powder; nail polish removers; eye-washes, not for medical purposes; baby wipes impregnated with cleaning preparations; tissues impregnated with cosmetic lotions; tissues impregnated with make-up removing preparations; teeth whitening strips; breath freshening strips; bath salts, not for medical purposes; sunscreen preparations; douching preparations for personal sanitary or deodorant purposes [toiletries]; talcum powder, for toilet use; toilet water; mascara; cosmetic dyes; phytocosmetic preparations; cleaning preparations; shampoos for pets [non-medicated grooming preparations]; shampoos for animals [non-medicated grooming preparations]; dry shampoos; shampoos; false eyelashes; false nails.

5 – Adjuvants for medical purposes; cooling sprays for medical purposes; acaricides; aconitine; alkaloids for medical purposes; albumin dietary supplements; alginates for pharmaceutical purposes; alginate dietary supplements; algicides; aldehydes for pharmaceutical purposes; amino acids for veterinary purposes; amino acids for medical purposes; analgesics; anaesthetics; antibiotics; anthelmintics; anti-uric preparations; antiseptics; first-aid boxes, filled; aluminium acetate for pharmaceutical purposes; acetates for pharma-

ceutical purposes; germicides; bacterial preparations for medical and veterinary use; bacteriological preparations for medical and veterinary use; balms for medical purposes; balsamic preparations for medical purposes; royal jelly for pharmaceutical purposes; tobacco-free cigarettes for medical purposes; bandages for dressings; bicarbonate of soda for pharmaceutical purposes; albuminous preparations for medical purposes; albuminous foodstuffs for medical purposes; biological preparations for veterinary purposes; biological preparations for medical purposes; biocides; bismuth subnitrate for pharmaceutical purposes; meal for pharmaceutical purposes; linseed meal for pharmaceutical purposes; flour for pharmaceutical purposes; bracelets impregnated with insect repellent; bromine for pharmaceutical purposes; bronchodilating preparations; vaginal washes for medical purposes; petroleum jelly for medical purposes; vaccines; absorbent wadding; absorbent cotton; antiseptic cotton; aseptic cotton; cotton for medical purposes; wadding for medical purposes; cotton sticks for medical purposes; veterinary preparations; tartar for pharmaceutical purposes; decoctions for pharmaceutical purposes; vitamin preparations; mineral waters for medical purposes; hydrated chloral for pharmaceutical purposes; dietary fibre; charcoal for pharmaceutical purposes; astringents for medical purposes; gases for medical purposes; gallic acid for pharmaceutical purposes; guaiacol for pharmaceutical purposes; sexual stimulant gels; haematogen; haemoglobin; haemostatic pencils; herbicides; sanitary tampons; hydrastine; hydrastinine; mustard for pharmaceutical purposes; mustard oil for medical purposes; mustard plasters; glycerine for medical purposes; glycerophosphates; glucose for medical purposes; homogenized food adapted for medical purposes; hormones for medical purposes; mud for baths; medicinal mud; vulnerary sponges; rubber for dental purposes; gamboge for medical purposes; gurjun balsam for medical purposes; disinfectants; disinfectants for chemical toilets; disinfectants for hygiene purposes; deodorants for clothing and textiles; deodorants, other than for human beings or for animals; cedar wood for use as an insect repellent; detergents for medical purposes; digitalin; infant formula; diagnostic preparations for veterinary purposes; diagnostic preparations for medical purposes; diastase for medical purposes; dietary supplements for animals; royal jelly dietary supplements; glucose dietary supplements; pollen dietary supplements; dietary supplements with a cosmetic effect; linseed dietary supplements; linseed oil dietary supplements; acai powder dietary supplements; propolis dietary supplements; wheat germ dietary supplements; dietetic beverages adapted for medical purposes; dietetic substances adapted for medical use; dietetic foods adapted for medical purposes; yeast for pharmaceutical purposes; yeast dietary supplements; eucalyptus for pharmaceutical purposes; eucalyptol for pharmaceutical purposes; plant extracts for pharmaceutical purposes; herbal

extracts for medical purposes; extracts of hops for pharmaceutical purposes; elixirs [pharmaceutical preparations]; enzymes for veterinary purposes; enzymes for medical purposes; enzyme dietary supplements; enzyme preparations for medical purposes; esters for pharmaceutical purposes; cellulose esters for pharmaceutical purposes; ethers for pharmaceutical purposes; cellulose ethers for pharmaceutical purposes; febrifuges; gelatine for medical purposes; milking grease; greases for veterinary purposes; greases for medical purposes; nicotine gum for use as an aid to stop smoking; chewing gum for medical purposes; nervines; bunion pads; isotopes for medical purposes; immunostimulants; reagent paper for veterinary purposes; reagent paper for medical purposes; insecticides; Irish moss for medical purposes; iodine for pharmaceutical purposes; alkaline iodides for pharmaceutical purposes; iodides for pharmaceutical purposes; iodoform; casein dietary supplements; calomel [fungicide]; gum for medical purposes; camphor for medical purposes; camphor oil for medical purposes; capsules for medicines; capsules made of dendrimer-based polymers, for pharmaceuticals; carbolineum [parasiticide]; caustics for pharmaceutical purposes; caustic pencils; cachou for pharmaceutical purposes; quassia for medical purposes; quebracho for medical purposes; oxygen for medical purposes; acids for pharmaceutical purposes; oxygen baths; bone cement for surgical and orthopaedic purposes; fly catching adhesives; adhesive bands for medical purposes; adhesive tapes for medical purposes; adhesives for dentures; cocaine; collagen for medical purposes; collodion for pharmaceutical purposes; compresses; chemical contraceptives; angostura bark for medical purposes; condurango bark for medical purposes; croton bark; mangrove bark for pharmaceutical purposes; myrobalan bark for pharmaceutical purposes; barks for pharmaceutical purposes; quinquina for medical purposes; rhubarb roots for pharmaceutical purposes; lint for medical purposes; collyrium; cream of tartar for pharmaceutical purposes; creosote for pharmaceutical purposes; blood for medical purposes; depuratives; styptic preparations; dill oil for medical purposes; starch for dietetic or pharmaceutical purposes; biological tissue cultures for veterinary purposes; biological tissue cultures for medical purposes; cultures of microorganisms for medical or veterinary use; curare; dental lacquer; breast-nursing pads; milk sugar for pharmaceutical purposes; adhesive plasters; lecithin for medical purposes; lecithin dietary supplements; fly catching paper; medicines for alleviating constipation; medicines for human purposes; medicines for veterinary purposes; drugs for medical purposes; medicines for dental purposes; medicinal roots; medicated animal feed; medicinal tea; corn remedies; remedies for perspiration; remedies for foot perspiration; medicated dentifrices; medicated hair lotions; medicated after-shave lotions; medicinal drinks; medicinal infusions; medicinal oils; medicated toiletry preparations; medicinal hair growth

preparations; medicated eye-washes; medicinal herbs; liniments; liquorice for pharmaceutical purposes; lotions for veterinary purposes; lotions for pharmaceutical purposes; personal sexual lubricants; lupulin for pharmaceutical purposes; magnesia for pharmaceutical purposes; sunburn ointments; ointments for pharmaceutical purposes; frostbite salve for pharmaceutical purposes; gauze for dressings; massage candles for therapeutic purposes; dental impression materials; teeth filling material; medicinal alcohol; medicine cases, portable, filled; medical preparations for slimming purposes; melissa water for pharmaceutical purposes; menthol; almond milk for pharmaceutical purposes; dog washes [insecticides]; animal washes [insecticides]; cattle washes [insecticides]; antibacterial soap; disinfectant soap; medicated soap; mineral food supplements; moulding wax for dentists; moleskin for medical purposes; powdered milk for babies; lacteal flour for babies; milk ferments for pharmaceutical purposes; sea water for medicinal bathing; mint for pharmaceutical purposes; vitamin supplement patches; nicotine patches for use as aids to stop smoking; scapulars for surgical purposes; vesicants; narcotics; linseed for pharmaceutical purposes; tincture of iodine; tinctures for medical purposes; nutraceutical preparations for therapeutic or medical purposes; fumigating sticks; fumigating pastilles; fumigation preparations for medical purposes; cachets for pharmaceutical purposes; wart pencils; oil of turpentine for pharmaceutical purposes; opiates; opium; opodeldoc; mouthwashes for medical purposes; rat poison; poisons; bacterial poisons; stick liquorice for pharmaceutical purposes; paper for mustard plasters; mothproofing paper; parasiticides; pastilles for pharmaceutical purposes; pectin for pharmaceutical purposes; pepsins for pharmaceutical purposes; peptones for pharmaceutical purposes; dressings, medical; hydrogen peroxide for medical purposes; pearl powder for medical purposes; pesticides; antioxidant pills; tanning pills; appetite suppressant pills; slimming pills; babies' nappies; diapers for pets; diapers for incontinence; babies' nappypants; blood plasma; by-products of the processing of cereals for dietetic or medical purposes; eyepatches for medical purposes; nutritional supplements; nutritive substances for microorganisms; media for bacteriological cultures; pomades for medical purposes; powder of cantharides; pyrethrum powder; porcelain for dental prostheses; laxatives; bismuth preparations for pharmaceutical purposes; pre-filled syringes for medical purposes; haemorrhoid preparations; preparations for callouses; chilblain preparations; bath preparations for medical purposes; air deodorizing preparations; mothproofing preparations; preparations for reducing sexual activity; preparations for destroying dry rot fungus; larvae exterminating preparations; preparations for destroying mice; fly destroying preparations; slug exterminating preparations; preparations for destroying noxious animals; vermin destroying preparations; acne treatment preparations; preparations for the

treatment of burns; lice treatment preparations [pediculicides]; oophorectomy preparations; air purifying preparations; appetite suppressants for medical purposes; sterilizing preparations; soil-sterilizing preparations; contact lens cleaning preparations; aloe vera preparations for pharmaceutical purposes; preparations of trace elements for human and animal use; preparations of microorganisms for medical or veterinary use; preparations to facilitate teething; poultices; chemical conductors for electrocardiograph electrodes; food for babies; sanitary pads; purgatives; propolis for pharmaceutical purposes; protein dietary supplements; protein supplements for animals; asthmatic tea; corn rings for the feet; antiparasitic collars for animals; antiparasitic preparations; anticryptogamic preparations; leeches for medical purposes; radium for medical purposes; radioactive substances for medical purposes; diagnostic biomarker reagents for medical purposes; radiological contrast substances for medical purposes; insect repellents; insect repellent incense; repellents for dogs; digestives for pharmaceutical purposes; fish meal for pharmaceutical purposes; cod liver oil; castor oil for medical purposes; ergot for pharmaceutical purposes; solutions for contact lenses; solvents for removing adhesive plasters; mercurial ointments; sarsaparilla for medical purposes; lead water; sedatives; tissues impregnated with pharmaceutical lotions; serotherapeutic medicines; siccatives [drying agents] for medical purposes; serums; syrups for pharmaceutical purposes; sulfur sticks [disinfectants]; turpentine for pharmaceutical purposes; soporifics; salts for mineral water baths; bath salts for medical purposes; smelling salts; potassium salts for medical purposes; mineral water salts; salts for medical purposes; sodium salts for medical purposes; malt for pharmaceutical purposes; malted milk beverages for medical purposes; semen for artificial insemination; alcohol for pharmaceutical purposes; alloys of precious metals for dental purposes; douching preparations for medical purposes; steroids; stem cells for veterinary purposes; stem cells for medical purposes; dental abrasives; dental amalgams; dental amalgams of gold; dental mastics; dental cements; strychnine; freeze-dried meat adapted for medical purposes; freeze-dried food adapted for medical purposes; sulfonamides [medicines]; suppositories; lozenges for pharmaceutical purposes; therapeutic preparations for the bath; thermal water; thymol for pharmaceutical purposes; gentian for pharmaceutical purposes; tonics [medicines]; smoking herbs for medical purposes; herbal teas for medicinal purposes; tranquillizers; transplants [living tissues]; pants, absorbent, for incontinence; sanitary panties; tobacco extracts [insecticides]; pharmaceutical preparations; pharmaceutical preparations for treating dandruff; pharmaceutical preparations for skin care; pharmaceutical preparations for treating sunburn; lime-based pharmaceutical preparations; pharmaceuticals; phenol for pharmaceutical purposes; fennel for medical purposes; ferments for pharma-

ceutical purposes; enzyme preparations for veterinary purposes; injectable dermal fillers; phytotherapy preparations for medical purposes; formic aldehyde for pharmaceutical purposes; phosphates for pharmaceutical purposes; fungicides; chemico-pharmaceutical preparations; chemical preparations for the diagnosis of pregnancy; chemical preparations for treating wheat blight; chemical preparations for treating phylloxera; chemical preparations for treating diseases affecting vine plants; chemical preparations for treating diseases affecting cereal plants; chemical preparations for veterinary purposes; chemical preparations for medical purposes; chemical preparations for pharmaceutical purposes; chemical reagents for medical or veterinary purposes; quinine for medical purposes; chinoline for medical purposes; surgical implants comprised of living tissues; transplants [living tissues]; surgical glues; surgical dressings; diabetic bread adapted for medical use; chloroform; flowers of sulfur for pharmaceutical purposes; cement for animal hoo-ves; medicated candies; crystallized rock sugar for medical purposes; medicated shampoos for pets; insecticidal animal shampoos; medicated shampoos; pediculicidal shampoos; medicated dry shampoos; panty liners [sanitary]; jujube, medicated; jalap.

10 – Aerosol dispensers for medical purposes; obstetric apparatus; analysers for bacterial identification for medical purposes; hot air therapeutic apparatus; heart rate monitoring apparatus; apparatus for DNA and RNA testing for medical purposes; esthetic massage apparatus; apparatus for acne treatment; massage apparatus; microdermabrasion apparatus; radiotherapy apparatus; body rehabilitation apparatus for medical purposes; apparatus for the regeneration of stem cells for medical purposes; apparatus and installations for the production of X-rays, for medical purposes; magnetic resonance imaging [MRI] apparatus for medical purposes; traction apparatus for medical purposes; dental apparatus and instruments; urological apparatus and instruments; surgical apparatus and instruments; blood testing apparatus; testing apparatus for medical purposes; anaesthetic apparatus; physical exercise apparatus for medical purposes; apparatus for artificial respiration; dental apparatus, electric; bandages for joints, anatomical; bandages, elastic; anti-nausea wristbands; cases fitted for medical instruments; veterinary apparatus and instruments; orthopaedic footwear; hot air vibrators for medical purposes; bed vibrators; vibromassage apparatus; basins for medical purposes; containers especially made for medical waste; ear plugs [ear protection devices]; ear picks; gastroscopes; glucometers; acupuncture needles; needles for medical purposes; surgical sponges; defibrillators; mirrors for dentists; mirrors for surgeons; diagnostic apparatus for medical purposes; dialyzers; radiology screens for medical purposes; electrodes for medical use; electrocardiographs; brain pacemakers; endoscopy cameras for medical purposes; protection devices

against X-rays, for medical purposes; probes for medical purposes; dentures; sex toys; biodegradable bone fixation implants; inhalers; injectors for medical purposes; incubators for medical purposes; electric acupuncture instruments; heart pacemakers; quartz lamps for medical purposes; biomagnetic rings for therapeutic or medical purposes; teething rings; blankets, electric, for medical purposes; thermo-electric compresses [surgery]; compression garments; compressors [surgical]; contraceptives, non-chemical; corsets for medical purposes; droppers for medical purposes; armchairs for medical or dental purposes; dentists' armchairs; commode chairs; lasers for medical purposes; curing lamps for medical purposes; lamps for medical purposes; air beds for medical purposes; beds specially made for medical purposes; lenses [intraocular prostheses] for surgical implantation; spoons for administering medicine; love dolls [sex dolls]; gum massagers for babies; gloves for massage; masks for use by medical personnel; therapeutic facial masks; waterbeds for medical purposes; air mattresses for medical purposes; medical apparatus and instruments; crutches; instrument cases for use by doctors; nasal aspirators; cooling patches for medical purposes; scissors for surgery; corn knives; ambulance stretchers; stretchers, wheeled; fumigation apparatus for medical purposes; operating tables; walking frames for disabled persons; orthodontic appliances; orthodontic rubber bands; orthopedic articles; knee bandages, orthopaedic; orthopaedic soles; orthopaedic belts; ophthalmometers; ophthalmoscopes; patient hoists; heating cushions, electric, for medical purposes; cushions for medical purposes; cooling pads for first aid purposes; pumps for medical purposes; receptacles for applying medicines; belts, electric, for medical purposes; belts for medical purposes; galvanic therapeutic appliances; balling guns; implantable subcutaneous drug delivery devices; artificial limbs; anti-rheumatism bracelets; anti-rheumatism rings; pulse meters; radiological apparatus for medical purposes; resuscitation apparatus; X-ray apparatus for medical purposes; X-ray tubes for medical purposes; X-ray photographs for medical purposes; respirators for artificial respiration; respiratory masks for artificial respiration; surgical cutlery; surgical robots; robotic exoskeleton suits for medical purposes; toe separators for orthopaedic purposes; spirometers [medical apparatus]; stethoscopes; arch supports for footwear; thermal packs for first aid purposes; thermometers for medical purposes; tomographs for medical purposes; arterial blood pressure measuring apparatus; walking sticks for medical purposes; quad canes for medical purposes; radium tubes for medical purposes; ultraviolet ray lamps for medical purposes; physiotherapy apparatus; filters for ultraviolet rays, for medical purposes; dropper bottles for medical purposes; surgical implants comprised of artificial materials; wheeled walkers to aid mobility; boots for medical purposes; tongue depressors for medical purposes; syringes for medical purposes; pins

for artificial teeth; artificial skin for surgical purposes; artificial teeth; artificial jaws.

35 – Administrative assistance in responding to requests for proposals (RFPs); administrative assistance in responding to calls for tenders; administrative processing of purchase orders; administration of consumer loyalty programs; cost price analysis; business auditing; financial auditing; auctioneering; outsourced administrative management for companies; accounting; web indexing for commercial or advertising purposes; negotiation of business contracts for others; market studies; opinion polling; demonstration of goods; business inquiries; business management assistance; commercial or industrial management assistance; advisory services for business management; business research; economic forecasting; providing business information via a web site; compilation of information into computer databases; compilation of statistics; providing commercial information and advice for consumers in the choice of products and services; commercial administration of the licensing of the goods and services of others; personnel management consultancy; business management consultancy; consultancy regarding advertising communication strategies; consultancy regarding public relations communication strategies; business organization consultancy; marketing; targeted marketing; marketing research; providing commercial and business contact information; provision of an online marketplace for buyers and sellers of goods and services; organization of exhibitions for commercial or advertising purposes; organization of trade fairs; advisory services for business management; business intermediary services relating to the matching of potential private investors with entrepreneurs needing funding; commercial information agency services; employment agency services; business efficiency expert services; outsourcing services [business assistance]; competitive intelligence services; corporate communications services; price comparison services; market intelligence services; procurement services for others [purchasing goods and services for other businesses]; media relations services; import-export agency services; advertising agency services; public relations; commercial lobbying services; commercial intermediation services; wholesale services for pharmaceutical, veterinary and sanitary preparations and medical supplies; retail services for pharmaceutical, veterinary and sanitary preparations and medical supplies; data search in computer files for others; sponsorship search; search engine optimization for sales promotion; presentation of goods on communication media, for retail purposes; radio advertising; advertising; pay per click advertising; outdoor advertising; online advertising on a computer network; dissemination of advertising matter; development of advertising concepts; business investigations; systemization of information into computer databases; compiling indexes of information for

commercial or advertising purposes; sales promotion for others; promotion of goods and services through sponsorship of sports events; production of teleshoping programmes; television advertising; telemarketing services; negotiation and conclusion of commercial transactions for third parties; professional business consultancy.

(260) AM 2021 108332 A

(800) 1531143

(151) 2019 12 18

(891) 2019 12 18

(731) Oriflame Cosmetics AG

c/o Oriflame Global Management AG,
Bleicheplatz 3, CH-8200 Schaffhausen,
Switzerland

(540)

ORIFLAME EXKLUSIV

(591) Black, white

(511)

3 – Non-medicated conditioning and care preparations for application to the hair, scalp, skin and nails; shampoos; hair conditioner; soaps; perfumes; perfumery; eau de cologne; toilet waters; essential and herbal oils; cosmetics; make-up; make-up preparations; make-up removers; lipsticks; nail varnishes; nail varnish removers; eyeliner; mascara; non-medicated toilet preparations; hair lotions; hair sprays and hair gels; preparations for use in the bath or shower; bath and shower oils, gels, creams and foams; face and body masks; face and body scrubs; facial washes; skin cleansers and hydrators; skin toners; skin moisturizers; blemish creams and blemish gels; deodorants; antiperspirants; shaving soaps; shaving creams; shaving gels; after-shave preparations; pre-shave preparations; talcum powders; toiletries; dentifrices; toothpastes; mouth washes; foot care preparations (non-medicated); cotton for cosmetic purposes; cotton wool, sticks, buds, swabs, puffs, balls and pads for cosmetic purposes; cotton wool in the form of wipes for cosmetic use; cotton puffs and pads impregnated with make-up removing preparations.

9 – Eyewear; glasses and sunglasses; frames for glasses and sunglasses; lenses for glasses and sunglasses; straps, cords and chains for glasses and sunglasses; boxes (cases) for glasses and sunglasses; laptop cases; laptop bags; laptop covers and sleeves; mobile phone covers and cases; chargers; power packs (batteries); downloadable software and applications; application software; software applications delivered online through a web-browser or as a downloadable application or application delivered to any computing device including desktop, laptop and tablet computers as well as mobile devices; downloadable electronic publications; parts and fittings for all of the above goods.

14 – Precious metals and their alloys; jewellery; precious stones; semi-precious stones; horological and chronometric instruments; clocks; watches; parts and fittings for all the above goods.

18 – Leather and imitations of leather; trunks and travelling bags; travel cases; luggage; suitcases; holdalls; bags; handbags; shoulder bags; toiletry bags; carrying bags; rucksacks; backpacks; briefcases; satchels; beauty cases; garment bags and carriers; tie cases; note-cases; document cases and document holders (carrying cases); credit card cases and holders; wallets; purses; umbrellas; parasols; walking sticks; shoulder belts of leather; parts and fittings for all the above goods.

25 – Clothing, footwear, headgear.

(260) AM 2021 108333 A

(800) 1531146

(151) 2020 03 06

(891) 2020 03 06

(731) BERWICK BIOTECH S.a.r.l.

3, Rue Belle-Vue, L-1227 Luxembourg, Grand
Duchy of Luxembourg, Luxembourg

(540)

CARTILEZA

(591) Black, white

(511)

3 – Breath freshening sprays; antiperspirants [toilettries]; flavourings for beverages [essential oils]; food flavourings [essential oils]; joss sticks; aromatics [essential oils]; balms, other than for medical purposes; vaginal washes for personal sanitary or deodorant purposes; petroleum jelly for cosmetic purposes; cotton wool for cosmetic purposes; cotton sticks for cosmetic purposes; laundry bleaching preparations; bleaching preparations [decolorants] for cosmetic purposes; bleaching preparations [decolorants] for household purposes; decorative transfers for cosmetic purposes; depilatory wax; astringents for cosmetic purposes; cloths impregnated with a detergent for cleaning; dental bleaching gels; make-up; deodorants for human beings or for animals; scented water; extracts of flowers [perfumes]; herbal extracts for cosmetic purposes; ethereal essences; essential oils; greases for cosmetic purposes; hair colorants; dentifrices; adhesives for cosmetic purposes; collagen preparations for cosmetic purposes; hair conditioners; cosmetics; cosmetics for children; cosmetics for animals; beauty masks; cosmetic preparations for baths; cosmetic preparations for skin care; cosmetic preparations for slimming purposes; cosmetic creams; hair spray; nail polish; hair lotions; lotions for cosmetic purposes; after-shave lotions; massage gels, other than for medical purposes; massage candles for cosmetic purposes; deodorant soap; shaving soap; cakes of soap; cakes of toilet soap; antiperspirant soap; soap for foot perspiration; so-

ap; cosmetic kits; nail art stickers; fumigation preparations [perfumes]; eau de Cologne; cosmetic pencils; oils for toilet purposes; oils for perfumes and scents; oils for cosmetic purposes; mouthwashes, not for medical purposes; bases for flower perfumes; cleansing milk for toilet purposes; cleansers for intimate personal hygiene purposes, non medicated; cleaning preparations; scouring solutions; perfumery; toiletry preparations; perfumes; gel eye patches for cosmetic purposes; pumice stone; pomades for cosmetic purposes; laundry preparations; air fragrancing preparations; bath preparations, not for medical purposes; hair straightening preparations; shaving preparations; depilatory preparations; nail care preparations; hair waving preparations; sun-tanning preparations [cosmetics]; make-up removing preparations; make-up preparations; breath freshening preparations for personal hygiene; denture polishes; dry-cleaning preparations; preparations for cleaning dentures; aloe vera preparations for cosmetic purposes; air fragrance reed diffusers; make-up powder; nail polish removers; eye-washes, not for medical purposes; baby wipes impregnated with cleaning preparations; tissues impregnated with cosmetic lotions; tissues impregnated with make-up removing preparations; teeth whitening strips; breath freshening strips; bath salts, not for medical purposes; sunscreen preparations; douching preparations for personal sanitary or deodorant purposes [toiletries]; talcum powder, for toilet use; toilet water; mascara; cosmetic dyes; phytocosmetic preparations; cleaning preparations; shampoos for pets [non-medicated grooming preparations]; shampoos for animals [non-medicated grooming preparations]; dry shampoos; shampoos; false eyelashes; false nails.

5 – Adjuvants for medical purposes; cooling sprays for medical purposes; acaricides; aconitine; alkaloids for medical purposes; albumin dietary supplements; alginates for pharmaceutical purposes; alginate dietary supplements; algicides; aldehydes for pharmaceutical purposes; amino acids for veterinary purposes; amino acids for medical purposes; analgesics; anaesthetics; antibiotics; anthelmintics; anti-uric preparations; antiseptics; first-aid boxes, filled; aluminium acetate for pharmaceutical purposes; acetates for pharmaceutical purposes; germicides; bacterial preparations for medical and veterinary use; bacteriological preparations for medical and veterinary use; balms for medical purposes; balsamic preparations for medical purposes; royal jelly for pharmaceutical purposes; tobacco-free cigarettes for medical purposes; bandages for dressings; bicarbonate of soda for pharmaceutical purposes; albuminous preparations for medical purposes; albuminous foodstuffs for medical purposes; biological preparations for veterinary purposes; biological preparations for medical purposes; biocides; bismuth subnitrate for pharmaceutical purposes; meal for pharmaceutical purposes; linseed meal for pharmaceutical purposes; flour for pharmaceutical

purposes; bracelets impregnated with insect repellent; bromine for pharmaceutical purposes; bronchodilating preparations; vaginal washes for medical purposes; petroleum jelly for medical purposes; vaccines; absorbent wadding; absorbent cotton; antiseptic cotton; aseptic cotton; cotton for medical purposes; wadding for medical purposes; cotton sticks for medical purposes; veterinary preparations; tartar for pharmaceutical purposes; decoctions for pharmaceutical purposes; vitamin preparations; mineral waters for medical purposes; hydrated chloral for pharmaceutical purposes; dietary fibre; charcoal for pharmaceutical purposes; astringents for medical purposes; gases for medical purposes; gallic acid for pharmaceutical purposes; guaiacol for pharmaceutical purposes; sexual stimulant gels; haematogen; haemoglobin; haemostatic pencils; herbicides; sanitary tampons; hydrastine; hydrastinine; mustard for pharmaceutical purposes; mustard oil for medical purposes; mustard plasters; glycerine for medical purposes; glycerophosphates; glucose for medical purposes; homogenized food adapted for medical purposes; hormones for medical purposes; mud for baths; medicinal mud; vulnerary sponges; rubber for dental purposes; gamboge for medical purposes; gurjun balsam for medical purposes; disinfectants; disinfectants for chemical toilets; disinfectants for hygiene purposes; deodorants for clothing and textiles; deodorants, other than for human beings or for animals; cedar wood for use as an insect repellent; detergents for medical purposes; digitalin; infant formula; diagnostic preparations for veterinary purposes; diagnostic preparations for medical purposes; diastase for medical purposes; dietary supplements for animals; royal jelly dietary supplements; glucose dietary supplements; pollen dietary supplements; dietary supplements with a cosmetic effect; linseed dietary supplements; linseed oil dietary supplements; acai powder dietary supplements; propolis dietary supplements; wheat germ dietary supplements; dietetic beverages adapted for medical purposes; dietetic substances adapted for medical use; dietetic foods adapted for medical purposes; yeast for pharmaceutical purposes; yeast dietary supplements; eucalyptus for pharmaceutical purposes; eucalyptol for pharmaceutical purposes; plant extracts for pharmaceutical purposes; herbal extracts for medical purposes; extracts of hops for pharmaceutical purposes; elixirs [pharmaceutical preparations]; enzymes for veterinary purposes; enzymes for medical purposes; enzyme dietary supplements; enzyme preparations for medical purposes; esters for pharmaceutical purposes; cellulose esters for pharmaceutical purposes; ethers for pharmaceutical purposes; cellulose ethers for pharmaceutical purposes; febrifuges; gelatine for medical purposes; milking grease; greases for veterinary purposes; greases for medical purposes; nicotine gum for use as an aid to stop smoking; chewing gum for medical purposes; nervines; bunion pads; isotopes for medical purposes; immunostimulants; reagent paper for veterinary purposes;

reagent paper for medical purposes; insecticides; Irish moss for medical purposes; iodine for pharmaceutical purposes; alkaline iodides for pharmaceutical purposes; iodides for pharmaceutical purposes; iodoform; casein dietary supplements; calomel [fungicide]; gum for medical purposes; camphor for medical purposes; camphor oil for medical purposes; capsules for medicines; capsules made of dendrimer-based polymers, for pharmaceuticals; carbolineum [parasiticide]; caustics for pharmaceutical purposes; caustic pencils; cachou for pharmaceutical purposes; quassia for medical purposes; quebracho for medical purposes; oxygen for medical purposes; acids for pharmaceutical purposes; oxygen baths; bone cement for surgical and orthopaedic purposes; fly catching adhesives; adhesive bands for medical purposes; adhesive tapes for medical purposes; adhesives for dentures; cocaine; collagen for medical purposes; collodion for pharmaceutical purposes; compresses; chemical contraceptives; angostura bark for medical purposes; condurango bark for medical purposes; croton bark; mangrove bark for pharmaceutical purposes; myrobalan bark for pharmaceutical purposes; barks for pharmaceutical purposes; quinquina for medical purposes; rhubarb roots for pharmaceutical purposes; lint for medical purposes; collyrium; cream of tartar for pharmaceutical purposes; creosote for pharmaceutical purposes; blood for medical purposes; depuratives; styptic preparations; dill oil for medical purposes; starch for dietetic or pharmaceutical purposes; biological tissue cultures for veterinary purposes; biological tissue cultures for medical purposes; cultures of microorganisms for medical or veterinary use; curare; dental lacquer; breast-nursing pads; milk sugar for pharmaceutical purposes; adhesive plasters; lecithin for medical purposes; lecithin dietary supplements; fly catching paper; medicines for alleviating constipation; medicines for human purposes; medicines for veterinary purposes; drugs for medical purposes; medicines for dental purposes; medicinal roots; medicated animal feed; medicinal tea; corn remedies; remedies for perspiration; remedies for foot perspiration; medicated dentifrices; medicated hair lotions; medicated after-shave lotions; medicinal drinks; medicinal infusions; medicinal oils; medicated toiletry preparations; medicinal hair growth preparations; medicated eye-washes; medicinal herbs; liniments; liquorice for pharmaceutical purposes; lotions for veterinary purposes; lotions for pharmaceutical purposes; personal sexual lubricants; lupulin for pharmaceutical purposes; magnesia for pharmaceutical purposes; sunburn ointments; ointments for pharmaceutical purposes; frostbite salve for pharmaceutical purposes; gauze for dressings; massage candles for therapeutic purposes; dental impression materials; teeth filling material; medicinal alcohol; medicine cases, portable, filled; medical preparations for slimming purposes; melissa water for pharmaceutical purposes; menthol; almond milk for pharmaceutical purposes; dog washes [insecticides]; animal washes [in-

secticides]; cattle washes [insecticides]; antibacterial soap; disinfectant soap; medicated soap; mineral food supplements; moulding wax for dentists; moleskin for medical purposes; powdered milk for babies; lacteal flour for babies; milk ferments for pharmaceutical purposes; sea water for medicinal bathing; mint for pharmaceutical purposes; vitamin supplement patches; nicotine patches for use as aids to stop smoking; scapulars for surgical purposes; vesicants; narcotics; linseed for pharmaceutical purposes; tincture of iodine; tinctures for medical purposes; nutraceutical preparations for therapeutic or medical purposes; fumigating sticks; fumigating pastilles; fumigation preparations for medical purposes; cachets for pharmaceutical purposes; wart pencils; oil of turpentine for pharmaceutical purposes; opiates; opium; opodeldoc; mouthwashes for medical purposes; rat poison; poisons; bacterial poisons; stick liquorice for pharmaceutical purposes; paper for mustard plasters; mothproofing paper; parasiticides; pastilles for pharmaceutical purposes; pectin for pharmaceutical purposes; pepsins for pharmaceutical purposes; peptones for pharmaceutical purposes; dressings, medical; hydrogen peroxide for medical purposes; pearl powder for medical purposes; pesticides; antioxidant pills; tanning pills; appetite suppressant pills; slimming pills; babies' nappies; diapers for pets; diapers for incontinence; babies' nappy-pants; blood plasma; by-products of the processing of cereals for dietetic or medical purposes; eyepatches for medical purposes; nutritional supplements; nutritive substances for microorganisms; media for bacteriological cultures; pomades for medical purposes; powder of cantharides; pyrethrum powder; porcelain for dental prostheses; laxatives; bismuth preparations for pharmaceutical purposes; pre-filled syringes for medical purposes; haemorrhoid preparations; preparations for callouses; chilblain preparations; bath preparations for medical purposes; air deodorizing preparations; mothproofing preparations; preparations for reducing sexual activity; preparations for destroying dry rot fungus; larvae exterminating preparations; preparations for destroying mice; fly destroying preparations; slug exterminating preparations; preparations for destroying noxious animals; vermin destroying preparations; acne treatment preparations; preparations for the treatment of burns; lice treatment preparations [pediculicides]; ophotherapy preparations; air purifying preparations; appetite suppressants for medical purposes; sterilizing preparations; soil-sterilizing preparations; contact lens cleaning preparations; aloe vera preparations for pharmaceutical purposes; preparations of trace elements for human and animal use; preparations of microorganisms for medical or veterinary use; preparations to facilitate teething; poultices; chemical conductors for electrocardiograph electrodes; food for babies; sanitary pads; purgatives; propolis for pharmaceutical purposes; protein dietary supplements; protein supplements for animals; asthmatic tea; corn rings for the

feet; antiparasitic collars for animals; antiparasitic preparations; anticryptogamic preparations; leeches for medical purposes; radium for medical purposes; radioactive substances for medical purposes; diagnostic biomarker reagents for medical purposes; radiological contrast substances for medical purposes; insect repellents; insect repellent incense; repellents for dogs; digestives for pharmaceutical purposes; fish meal for pharmaceutical purposes; cod liver oil; castor oil for medical purposes; ergot for pharmaceutical purposes; solutions for contact lenses; solvents for removing adhesive plasters; mercurial ointments; sarsaparilla for medical purposes; lead water; sedatives; tissues impregnated with pharmaceutical lotions; serotherapeutic medicines; siccatives [drying agents] for medical purposes; serums; syrups for pharmaceutical purposes; sulfur sticks [disinfectants]; turpentine for pharmaceutical purposes; soporifics; salts for mineral water baths; bath salts for medical purposes; smelling salts; potassium salts for medical purposes; mineral water salts; salts for medical purposes; sodium salts for medical purposes; malt for pharmaceutical purposes; malted milk beverages for medical purposes; semen for artificial insemination; alcohol for pharmaceutical purposes; alloys of precious metals for dental purposes; douching preparations for medical purposes; steroids; stem cells for veterinary purposes; stem cells for medical purposes; dental abrasives; dental amalgams; dental amalgams of gold; dental mastics; dental cements; strychnine; freeze-dried meat adapted for medical purposes; freeze-dried food adapted for medical purposes; sulfonamides [medicines]; suppositories; lozenges for pharmaceutical purposes; therapeutic preparations for the bath; thermal water; thymol for pharmaceutical purposes; gentian for pharmaceutical purposes; tonics [medicines]; smoking herbs for medical purposes; herbal teas for medicinal purposes; tranquilizers; transplants [living tissues]; pants, absorbent, for incontinence; sanitary panties; tobacco extracts [insecticides]; pharmaceutical preparations; pharmaceutical preparations for treating dandruff; pharmaceutical preparations for skin care; pharmaceutical preparations for treating sunburn; lime-based pharmaceutical preparations; pharmaceuticals; phenol for pharmaceutical purposes; fennel for medical purposes; ferments for pharmaceutical purposes; enzyme preparations for veterinary purposes; injectable dermal fillers; phytotherapy preparations for medical purposes; formic aldehyde for pharmaceutical purposes; phosphates for pharmaceutical purposes; fungicides; chemico-pharmaceutical preparations; chemical preparations for the diagnosis of pregnancy; chemical preparations for treating wheat blight; chemical preparations for treating phylloxera; chemical preparations for treating diseases affecting vine plants; chemical preparations for treating diseases affecting cereal plants; chemical preparations for veterinary purposes; chemical preparations for medical purposes; chemical preparations for pharmaceutical purposes; che-

mical reagents for medical or veterinary purposes; quinine for medical purposes; chinoline for medical purposes; surgical implants comprised of living tissues; transplants [living tissues]; surgical glues; surgical dressings; diabetic bread adapted for medical use; chloroform; flowers of sulfur for pharmaceutical purposes; cement for animal hooves; medicated candies; crystallized rock sugar for medical purposes; medicated shampoos for pets; insecticidal animal shampoos; medicated shampoos; pediculicidal shampoos; medicated dry shampoos; panty liners [sanitary]; jujube, medicated; jalap.

10 – Aerosol dispensers for medical purposes; obstetric apparatus; analysers for bacterial identification for medical purposes; hot air therapeutic apparatus; heart rate monitoring apparatus; apparatus for DNA and RNA testing for medical purposes; esthetic massage apparatus; apparatus for acne treatment; massage apparatus; microdermabrasion apparatus; radiotherapy apparatus; body rehabilitation apparatus for medical purposes; apparatus for the regeneration of stem cells for medical purposes; apparatus and installations for the production of X-rays, for medical purposes; magnetic resonance imaging [MRI] apparatus for medical purposes; traction apparatus for medical purposes; dental apparatus and instruments; urological apparatus and instruments; surgical apparatus and instruments; blood testing apparatus; testing apparatus for medical purposes; anaesthetic apparatus; physical exercise apparatus for medical purposes; apparatus for artificial respiration; dental apparatus, electric; bandages for joints, anatomical; bandages, elastic; anti-nausea wristbands; cases fitted for medical instruments; veterinary apparatus and instruments; orthopaedic footwear; hot air vibrators for medical purposes; bed vibrators; vibromassage apparatus; basins for medical purposes; containers especially made for medical waste; ear plugs [ear protection devices]; ear picks; gastroscopes; glucometers; acupuncture needles; needles for medical purposes; surgical sponges; defibrillators; mirrors for dentists; mirrors for surgeons; diagnostic apparatus for medical purposes; dialyzers; radiology screens for medical purposes; electrodes for medical use; electrocardiographs; brain pacemakers; endoscopy cameras for medical purposes; protection devices against X-rays, for medical purposes; probes for medical purposes; dentures; sex toys; biodegradable bone fixation implants; inhalers; injectors for medical purposes; incubators for medical purposes; electric acupuncture instruments; heart pacemakers; quartz lamps for medical purposes; biomagnetic rings for therapeutic or medical purposes; teething rings; blankets, electric, for medical purposes; thermo-electric compresses [surgery]; compression garments; compressors [surgical]; contraceptives, non-chemical; corsets for medical purposes; droppers for medical purposes; armchairs for medical or dental purposes; dentists' armchairs; commode chairs; lasers for medical purpo-

ses; curing lamps for medical purposes; lamps for medical purposes; air beds for medical purposes; beds specially made for medical purposes; lenses [intraocular prostheses] for surgical implantation; spoons for administering medicine; love dolls [sex dolls]; gum massagers for babies; gloves for massage; masks for use by medical personnel; therapeutic facial masks; waterbeds for medical purposes; air mattresses for medical purposes; medical apparatus and instruments; crutches; instrument cases for use by doctors; nasal aspirators; cooling patches for medical purposes; scissors for surgery; corn knives; ambulance stretchers; stretchers, wheeled; fumigation apparatus for medical purposes; operating tables; walking frames for disabled persons; orthodontic appliances; orthodontic rubber bands; orthopedic articles; knee bandages, orthopaedic; orthopaedic soles; orthopaedic belts; ophthalmometers; ophthalmoscopes; patient hoists; heating cushions, electric, for medical purposes; cushions for medical purposes; cooling pads for first aid purposes; pumps for medical purposes; receptacles for applying medicines; belts, electric, for medical purposes; belts for medical purposes; galvanic therapeutic appliances; balling guns; implantable subcutaneous drug delivery devices; artificial limbs; anti-rheumatism bracelets; anti-rheumatism rings; pulse meters; radiological apparatus for medical purposes; resuscitation apparatus; X-ray apparatus for medical purposes; X-ray tubes for medical purposes; X-ray photographs for medical purposes; respirators for artificial respiration; respiratory masks for artificial respiration; surgical cutlery; surgical robots; robotic exoskeleton suits for medical purposes; toe separators for orthopaedic purposes; spirometers [medical apparatus]; stethoscopes; arch supports for footwear; thermal packs for first aid purposes; thermometers for medical purposes; tomographs for medical purposes; arterial blood pressure measuring apparatus; walking sticks for medical purposes; quad canes for medical purposes; radium tubes for medical purposes; ultraviolet ray lamps for medical purposes; physiotherapy apparatus; filters for ultraviolet rays, for medical purposes; dropper bottles for medical purposes; surgical implants comprised of artificial materials; wheeled walkers to aid mobility; boots for medical purposes; tongue depressors for medical purposes; syringes for medical purposes; pins for artificial teeth; artificial skin for surgical purposes; artificial teeth; artificial jaws.

35 – Administrative assistance in responding to requests for proposals [RFPs]; administrative assistance in responding to calls for tenders; administrative processing of purchase orders; administration of consumer loyalty programs; cost price analysis; business auditing; financial auditing; auctioneering; outsourced administrative management for companies; accounting; web indexing for commercial or advertising purposes; negotiation of business contracts for others; market studies; opinion polling; demonstration of goods; bu-

ness inquiries; business management assistance; commercial or industrial management assistance; advisory services for business management; business research; economic forecasting; providing business information via a web site; compilation of information into computer databases; compilation of statistics; providing commercial information and advice for consumers in the choice of products and services; commercial administration of the licensing of the goods and services of others; personnel management consultancy; business management consultancy; consultancy regarding advertising communication strategies; consultancy regarding public relations communication strategies; business organization consultancy; marketing; targeted marketing; marketing research; providing commercial and business contact information; provision of an online marketplace for buyers and sellers of goods and services; organization of exhibitions for commercial or advertising purposes; organization of trade fairs; advisory services for business management; business intermediary services relating to the matching of potential private investors with entrepreneurs needing funding; commercial information agency services; employment agency services; business efficiency expert services; outsourcing services [business assistance]; competitive intelligence services; corporate communications services; price comparison services; market intelligence services; procurement services for others [purchasing goods and services for other businesses]; media relations services; import-export agency services; advertising agency services; public relations; commercial lobbying services; commercial intermediation services; wholesale services for pharmaceutical, veterinary and sanitary preparations and medical supplies; retail services for pharmaceutical, veterinary and sanitary preparations and medical supplies; data search in computer files for others; sponsorship search; search engine optimization for sales promotion; presentation of goods on communication media, for retail purposes; radio advertising; advertising; pay per click advertising; outdoor advertising; online advertising on a computer network; dissemination of advertising matter; development of advertising concepts; business investigations; systemization of information into computer databases; compiling indexes of information for commercial or advertising purposes; sales promotion for others; promotion of goods and services through sponsorship of sports events; production of teleshopping programmes; television advertising; telemarketing services; negotiation and conclusion of commercial transactions for third parties; professional business consultancy.

(260) AM 2021 108334 A

(800) 1531150

(151) 2020 02 20

(891) 2020 02 20

(731) LABORATORIOS NORMON, S.A.

Ronda de Valdecarrizo, 6, E-28760 Tres

Cantos Madrid, Spain

(540)

OPTOVITE

(591) Black, white

(511)

5 – Pharmaceutical products of all types and for veterinary use.

(260) AM 2021 108335 A

(800) 1531154

(151) 2020 03 06

(891) 2020 03 06

(731) BERWICK BIOTECH S.a.r.l.

3, Rue Belle-Vue, L-1227 Luxembourg, Grand

Duchy of Luxembourg, Luxembourg

(540)

ЭНЗИБАР

(591) Black, white

(531) 28.05

(511)

3 – Breath freshening sprays; antiperspirants [toilettries]; flavourings for beverages [essential oils]; food flavourings [essential oils]; joss sticks; aromatics [essential oils]; balms, other than for medical purposes; vaginal washes for personal sanitary or deodorant purposes; petroleum jelly for cosmetic purposes; cotton wool for cosmetic purposes; cotton sticks for cosmetic purposes; laundry bleaching preparations; bleaching preparations [decolorants] for cosmetic purposes; bleaching preparations [decolorants] for household purposes; decorative transfers for cosmetic purposes; depilatory wax; astringents for cosmetic purposes; cloths impregnated with a detergent for cleaning; dental bleaching gels; make-up; deodorants for human beings or for animals; scented water; extracts of flowers [perfumes]; herbal extracts for cosmetic purposes; ethereal essences; essential oils; greases for cosmetic purposes; hair colorants; dentifrices; adhesives for cosmetic purposes; collagen preparations for cosmetic purposes; hair conditioners; cosmetics; cosmetics for children; cosmetics for animals; beauty masks; cosmetic preparations for baths; cosmetic preparations for skin care; cosmetic preparations for slimming purposes; cosmetic creams; hair spray; nail polish; hair lotions; lotions for cosmetic purposes; after-shave lotions; massage gels, other than for medical purposes; massage candles for cosmetic purposes; deodorant soap; shaving soap; cakes of soap; cakes of toilet soap; antiperspirant soap; soap for foot perspiration; soap; cosmetic kits; nail art stickers;

fumigation preparations [perfumes]; eau de Cologne; cosmetic pencils; oils for toilet purposes; oils for perfumes and scents; oils for cosmetic purposes; mouthwashes, not for medical purposes; bases for flower perfumes; cleansing milk for toilet purposes; cleansers for intimate personal hygiene purposes, non medicated; cleaning preparations; scouring solutions; perfumery; toiletry preparations; perfumes; gel eye patches for cosmetic purposes; pumice stone; pomades for cosmetic purposes; laundry preparations; air fragrancing preparations; bath preparations, not for medical purposes; hair straightening preparations; shaving preparations; depilatory preparations; nail care preparations; hair waving preparations; sun-tanning preparations [cosmetics]; make-up removing preparations; make-up preparations; breath freshening preparations for personal hygiene; denture polishes; dry-cleaning preparations; preparations for cleaning dentures; aloe vera preparations for cosmetic purposes; air fragrance reed diffusers; make-up powder; nail polish removers; eye-washes, not for medical purposes; baby wipes impregnated with cleaning preparations; tissues impregnated with cosmetic lotions; tissues impregnated with make-up removing preparations; teeth whitening strips; breath freshening strips; bath salts, not for medical purposes; sunscreen preparations; douching preparations for personal sanitary or deodorant purposes [toilettries]; talcum powder, for toilet use; toilet water; mascara; cosmetic dyes; phytocosmetic preparations; cleaning preparations; shampoos for pets [non-medicated grooming preparations]; shampoos for animals [non-medicated grooming preparations]; dry shampoos; shampoos; false eyelashes; false nails.

5 – Adjuvants for medical purposes; cooling sprays for medical purposes; acaricides; aconitine; alkaloids for medical purposes; albumin dietary supplements; alginates for pharmaceutical purposes; alginate dietary supplements; algicides; aldehydes for pharmaceutical purposes; amino acids for veterinary purposes; amino acids for medical purposes; analgesics; anaesthetics; antibiotics; anthelmintics; anti-uric preparations; antiseptics; first-aid boxes, filled; aluminium acetate for pharmaceutical purposes; acetates for pharmaceutical purposes; germicides; bacterial preparations for medical and veterinary use; bacteriological preparations for medical and veterinary use; balms for medical purposes; balsamic preparations for medical purposes; royal jelly for pharmaceutical purposes; tobacco-free cigarettes for medical purposes; bandages for dressings; bicarbonate of soda for pharmaceutical purposes; albuminous preparations for medical purposes; albuminous foodstuffs for medical purposes; biological preparations for veterinary purposes; biological preparations for medical purposes; biocides; bismuth subnitrate for pharmaceutical purposes; meal for pharmaceutical purposes; linseed meal for pharmaceutical purposes; flour for pharmaceutical purposes;

ses; bracelets impregnated with insect repellent; bromine for pharmaceutical purposes; bronchodilating preparations; vaginal washes for medical purposes; petroleum jelly for medical purposes; vaccines; absorbent wadding; absorbent cotton; antiseptic cotton; aseptic cotton; cotton for medical purposes; wadding for medical purposes; cotton sticks for medical purposes; veterinary preparations; tartar for pharmaceutical purposes; decoctions for pharmaceutical purposes; vitamin preparations; mineral waters for medical purposes; hydrated chloral for pharmaceutical purposes; dietary fibre; charcoal for pharmaceutical purposes; astringents for medical purposes; gases for medical purposes; gallic acid for pharmaceutical purposes; guaiacol for pharmaceutical purposes; sexual stimulant gels; haematogen; haemoglobin; haemostatic pencils; herbicides; sanitary tampons; hydrastine; hydrastinine; mustard for pharmaceutical purposes; mustard oil for medical purposes; mustard plasters; glycerine for medical purposes; glycerophosphates; glucose for medical purposes; homogenized food adapted for medical purposes; hormones for medical purposes; mud for baths; medicinal mud; vulnerary sponges; rubber for dental purposes; gamboge for medical purposes; gurjun balsam for medical purposes; disinfectants; disinfectants for chemical toilets; disinfectants for hygiene purposes; deodorants for clothing and textiles; deodorants, other than for human beings or for animals; cedar wood for use as an insect repellent; detergents for medical purposes; digitalin; infant formula; diagnostic preparations for veterinary purposes; diagnostic preparations for medical purposes; diastase for medical purposes; dietary supplements for animals; royal jelly dietary supplements; glucose dietary supplements; pollen dietary supplements; dietary supplements with a cosmetic effect; linseed dietary supplements; linseed oil dietary supplements; acai powder dietary supplements; propolis dietary supplements; wheat germ dietary supplements; dietetic beverages adapted for medical purposes; dietetic substances adapted for medical use; dietetic foods adapted for medical purposes; yeast for pharmaceutical purposes; yeast dietary supplements; eucalyptus for pharmaceutical purposes; eucalyptol for pharmaceutical purposes; herbal extracts for medical purposes; extracts of hops for pharmaceutical purposes; elixirs [pharmaceutical preparations]; enzymes for veterinary purposes; enzymes for medical purposes; enzyme dietary supplements; enzyme preparations for medical purposes; esters for pharmaceutical purposes; cellulose esters for pharmaceutical purposes; ethers for pharmaceutical purposes; cellulose ethers for pharmaceutical purposes; febrifuges; gelatine for medical purposes; milking grease; greases for veterinary purposes; greases for medical purposes; nicotine gum for use as an aid to stop smoking; chewing gum for medical purposes; nervines; bunion pads; isotopes for medical purposes; immunostimulants; reagent paper for veterinary purposes;

reagent paper for medical purposes; insecticides; Irish moss for medical purposes; iodine for pharmaceutical purposes; alkaline iodides for pharmaceutical purposes; iodides for pharmaceutical purposes; iodoform; casein dietary supplements; calomel [fungicide]; gum for medical purposes; camphor for medical purposes; camphor oil for medical purposes; capsules for medicines; capsules made of dendrimer-based polymers, for pharmaceuticals; carbolineum [parasiticide]; caustics for pharmaceutical purposes; caustic pencils; cachou for pharmaceutical purposes; quassia for medical purposes; quebracho for medical purposes; oxygen for medical purposes; acids for pharmaceutical purposes; oxygen baths; bone cement for surgical and orthopaedic purposes; fly catching adhesives; adhesive bands for medical purposes; adhesive tapes for medical purposes; adhesives for dentures; cocaine; collagen for medical purposes; collodion for pharmaceutical purposes; compresses; chemical contraceptives; angostura bark for medical purposes; condurango bark for medical purposes; croton bark; mangrove bark for pharmaceutical purposes; myrobalan bark for pharmaceutical purposes; barks for pharmaceutical purposes; quinquina for medical purposes; rhubarb roots for pharmaceutical purposes; lint for medical purposes; collyrium; cream of tartar for pharmaceutical purposes; creosote for pharmaceutical purposes; blood for medical purposes; depuratives; styptic preparations; dill oil for medical purposes; starch for dietetic or pharmaceutical purposes; biological tissue cultures for veterinary purposes; biological tissue cultures for medical purposes; cultures of microorganisms for medical or veterinary use; curare; dental lacquer; breast-nursing pads; milk sugar for pharmaceutical purposes; adhesive plasters; lecithin for medical purposes; lecithin dietary supplements; fly catching paper; medicines for alleviating constipation; medicines for human purposes; medicines for veterinary purposes; drugs for medical purposes; medicines for dental purposes; medicinal roots; medicated animal feed; medicinal tea; corn remedies; remedies for perspiration; remedies for foot perspiration; medicated dentifrices; medicated hair lotions; medicated after-shave lotions; medicinal drinks; medicinal infusions; medicinal oils; medicated toiletry preparations; medicinal hair growth preparations; medicated eye-washes; medicinal herbs; liniments; liquorice for pharmaceutical purposes; lotions for veterinary purposes; lotions for pharmaceutical purposes; personal sexual lubricants; lupulin for pharmaceutical purposes; magnesia for pharmaceutical purposes; sunburn ointments; ointments for pharmaceutical purposes; frostbite salve for pharmaceutical purposes; gauze for dressings; massage candles for therapeutic purposes; dental impression materials; teeth filling material; medicinal alcohol; medicine cases, portable, filled; medical preparations for slimming purposes; melissa water for pharmaceutical purposes; menthol; almond milk for pharmaceutical purposes; dog washes [insecticides]; animal washes

[insecticides]; cattle washes [insecticides]; antibacterial soap; disinfectant soap; medicated soap; mineral food supplements; moulding wax for dentists; moleskin for medical purposes; powdered milk for babies; lacteal flour for babies; milk ferments for pharmaceutical purposes; sea water for medicinal bathing; mint for pharmaceutical purposes; vitamin supplement patches; nicotine patches for use as aids to stop smoking; scapulars for surgical purposes; vesicants; narcotics; linseed for pharmaceutical purposes; tincture of iodine; tinctures for medical purposes; nutraceutical preparations for therapeutic or medical purposes; fumigating sticks; fumigating pastilles; fumigation preparations for medical purposes; cachets for pharmaceutical purposes; wart pencils; oil of turpentine for pharmaceutical purposes; opiates; opium; opodeldoc; mouthwashes for medical purposes; rat poison; poisons; bacterial poisons; stick liquorice for pharmaceutical purposes; paper for mustard plasters; mothproofing paper; parasiticides; pastilles for pharmaceutical purposes; pectin for pharmaceutical purposes; pepsins for pharmaceutical purposes; peptones for pharmaceutical purposes; dressings, medical; hydrogen peroxide for medical purposes; pearl powder for medical purposes; pesticides; antioxidant pills; tanning pills; appetite suppressant pills; slimming pills; babies' nappies; diapers for pets; diapers for incontinence; babies' nappy-pants; blood plasma; by-products of the processing of cereals for dietetic or medical purposes; eyepatches for medical purposes; nutritional supplements; nutritive substances for microorganisms; media for bacteriological cultures; pomades for medical purposes; powder of cantharides; pyrethrum powder; porcelain for dental prostheses; laxatives; bismuth preparations for pharmaceutical purposes; pre-filled syringes for medical purposes; haemorrhoid preparations; preparations for callouses; chilblain preparations; bath preparations for medical purposes; air deodorizing preparations; mothproofing preparations; preparations for reducing sexual activity; preparations for destroying dry rot fungus; larvae exterminating preparations; preparations for destroying mice; fly destroying preparations; slug exterminating preparations; preparations for destroying noxious animals; vermin destroying preparations; acne treatment preparations; preparations for the treatment of burns; lice treatment preparations [pediculicides]; opotherapy preparations; air purifying preparations; appetite suppressants for medical purposes; sterilizing preparations; soil-sterilizing preparations; contact lens cleaning preparations; aloe vera preparations for pharmaceutical purposes; preparations of trace elements for human and animal use; preparations of microorganisms for medical or veterinary use; preparations to facilitate teething; poultices; chemical conductors for electrocardiograph electrodes; food for babies; sanitary pads; purgatives; propolis for pharmaceutical purposes; protein dietary supplements; protein supplements for animals; asthmatic tea; corn rings for the fe-

et; antiparasitic collars for animals; antiparasitic preparations; anticryptogamic preparations; leeches for medical purposes; radium for medical purposes; radioactive substances for medical purposes; diagnostic biomarker reagents for medical purposes; radiological contrast substances for medical purposes; insect repellents; insect repellent incense; repellents for dogs; digestives for pharmaceutical purposes; fish meal for pharmaceutical purposes; cod liver oil; castor oil for medical purposes; ergot for pharmaceutical purposes; solutions for contact lenses; solvents for removing adhesive plasters; mercurial ointments; sarsaparilla for medical purposes; lead water; sedatives; tissues impregnated with pharmaceutical lotions; serotherapeutic medicines; siccatives [drying agents] for medical purposes; serums; syrups for pharmaceutical purposes; sulfur sticks [disinfectants]; turpentine for pharmaceutical purposes; soporifics; salts for mineral water baths; bath salts for medical purposes; smelling salts; potassium salts for medical purposes; mineral water salts; salts for medical purposes; sodium salts for medical purposes; malt for pharmaceutical purposes; malted milk beverages for medical purposes; semen for artificial insemination; alcohol for pharmaceutical purposes; alloys of precious metals for dental purposes; douching preparations for medical purposes; steroids; stem cells for veterinary purposes; stem cells for medical purposes; dental abrasives; dental amalgams; dental amalgams of gold; dental mastics; dental cements; strychnine; freeze-dried meat adapted for medical purposes; freeze-dried food adapted for medical purposes; sulfonamides [medicines]; suppositories; lozenges for pharmaceutical purposes; therapeutic preparations for the bath; thermal water; thymol for pharmaceutical purposes; gentian for pharmaceutical purposes; tonics [medicines]; smoking herbs for medical purposes; herbal teas for medicinal purposes; tranquillizers; transplants [living tissues]; pants, absorbent, for incontinence; sanitary panties; tobacco extracts [insecticides]; pharmaceutical preparations; pharmaceutical preparations for treating dandruff; pharmaceutical preparations for skin care; pharmaceutical preparations for treating sunburn; lime-based pharmaceutical preparations; pharmaceuticals; phenol for pharmaceutical purposes; fennel for medical purposes; ferments for pharmaceutical purposes; enzyme preparations for veterinary purposes; injectable dermal fillers; phytotherapy preparations for medical purposes; formic aldehyde for pharmaceutical purposes; phosphates for pharmaceutical purposes; fungicides; chemico-pharmaceutical preparations; chemical preparations for the diagnosis of pregnancy; chemical preparations for treating wheat blight; chemical preparations for treating phylloxera; chemical preparations for treating diseases affecting vine plants; chemical preparations for treating diseases affecting cereal plants; chemical preparations for veterinary purposes; chemical preparations for medical purposes; chemical preparations for pharmaceuti-

cal purposes; chemical reagents for medical or veterinary purposes; quinine for medical purposes; chinoline for medical purposes; surgical implants comprised of living tissues; transplants [living tissues]; surgical glues; surgical dressings; diabetic bread adapted for medical use; chloroform; flowers of sulfur for pharmaceutical purposes; cement for animal hooves; medicated candies; crystallized rock sugar for medical purposes; medicated shampoos for pets; insecticidal animal shampoos; medicated shampoos; pediculicidal shampoos; medicated dry shampoos; panty liners [sanitary]; jujube, medicated; jalap.

10 – Aerosol dispensers for medical purposes; obstetric apparatus; analysers for bacterial identification for medical purposes; hot air therapeutic apparatus; heart rate monitoring apparatus; apparatus for DNA and RNA testing for medical purposes; esthetic massage apparatus; apparatus for acne treatment; massage apparatus; microdermabrasion apparatus; radiotherapy apparatus; body rehabilitation apparatus for medical purposes; apparatus for the regeneration of stem cells for medical purposes; apparatus and installations for the production of X-rays, for medical purposes; magnetic resonance imaging [MRI] apparatus for medical purposes; traction apparatus for medical purposes; dental apparatus and instruments; urological apparatus and instruments; surgical apparatus and instruments; blood testing apparatus; testing apparatus for medical purposes; anaesthetic apparatus; physical exercise apparatus for medical purposes; apparatus for artificial respiration; dental apparatus, electric; bandages for joints, anatomical; bandages, elastic; anti-nausea wristbands; cases fitted for medical instruments; veterinary apparatus and instruments; orthopaedic footwear; hot air vibrators for medical purposes; bed vibrators; vibromassage apparatus; basins for medical purposes; containers especially made for medical waste; ear plugs [ear protection devices]; ear picks; gastroscopes; glucometers; acupuncture needles; needles for medical purposes; surgical sponges; defibrillators; mirrors for dentists; mirrors for surgeons; diagnostic apparatus for medical purposes; dialyzers; radiology screens for medical purposes; electrodes for medical use; electrocardiographs; brain pacemakers; endoscopy cameras for medical purposes; protection devices against X-rays, for medical purposes; probes for medical purposes; dentures; sex toys; biodegradable bone fixation implants; inhalers; injectors for medical purposes; incubators for medical purposes; electric acupuncture instruments; heart pacemakers; quartz lamps for medical purposes; biomagnetic rings for therapeutic or medical purposes; teething rings; blankets, electric, for medical purposes; thermo-electric compresses [surgery]; compression garments; compressors [surgical]; contraceptives, non-chemical; corsets for medical purposes; droppers for medical purposes; armchairs for medical or dental purposes; dentists' armchairs; commode chairs; lasers for medical

purposes; curing lamps for medical purposes; lamps for medical purposes; air beds for medical purposes; beds specially made for medical purposes; lenses [intraocular prostheses] for surgical implantation; spoons for administering medicine; love dolls [sex dolls]; gum massagers for babies; gloves for massage; masks for use by medical personnel; therapeutic facial masks; waterbeds for medical purposes; air mattresses for medical purposes; medical apparatus and instruments; crutches; instrument cases for use by doctors; nasal aspirators; cooling patches for medical purposes; scissors for surgery; corn knives; ambulance stretchers; stretchers, wheeled; fumigation apparatus for medical purposes; operating tables; walking frames for disabled persons; orthodontic appliances; orthodontic rubber bands; orthopedic articles; knee bandages, orthopaedic; orthopaedic soles; orthopaedic belts; ophthalmometers; ophthalmoscopes; patient hoists; heating cushions, electric, for medical purposes; cushions for medical purposes; cooling pads for first aid purposes; pumps for medical purposes; receptacles for applying medicines; belts, electric, for medical purposes; belts for medical purposes; galvanic therapeutic appliances; balling guns; implantable subcutaneous drug delivery devices; artificial limbs; anti-rheumatism bracelets; anti-rheumatism rings; pulse meters; radiological apparatus for medical purposes; resuscitation apparatus; X-ray apparatus for medical purposes; X-ray tubes for medical purposes; X-ray photographs for medical purposes; respirators for artificial respiration; respiratory masks for artificial respiration; surgical cutlery; surgical robots; robotic exoskeleton suits for medical purposes; toe separators for orthopaedic purposes; spirometers [medical apparatus]; stethoscopes; arch supports for footwear; thermal packs for first aid purposes; thermometers for medical purposes; tomographs for medical purposes; arterial blood pressure measuring apparatus; walking sticks for medical purposes; quad canes for medical purposes; radium tubes for medical purposes; ultraviolet ray lamps for medical purposes; physiotherapy apparatus; filters for ultraviolet rays, for medical purposes; dropper bottles for medical purposes; surgical implants comprised of artificial materials; wheeled walkers to aid mobility; boots for medical purposes; tongue depressors for medical purposes; syringes for medical purposes; pins for artificial teeth; artificial skin for surgical purposes; artificial teeth; artificial jaws.

35 – Administrative assistance in responding to requests for proposals [RFPs]; administrative assistance in responding to calls for tenders; administrative processing of purchase orders; administration of consumer loyalty programs; cost price analysis; business auditing; financial auditing; auctioneering; outsourced administrative management for companies; accounting; web indexing for commercial or advertising purposes; negotiation of business contracts for others; market

studies; opinion polling; demonstration of goods; business inquiries; business management assistance; commercial or industrial management assistance; advisory services for business management; business research; economic forecasting; providing business information via a web site; compilation of information into computer databases; compilation of statistics; providing commercial information and advice for consumers in the choice of products and services; commercial administration of the licensing of the goods and services of others; personnel management consultancy; business management consultancy; consultancy regarding advertising communication strategies; consultancy regarding public relations communication strategies; business organization consultancy; marketing; targeted marketing; marketing research; providing commercial and business contact information; provision of an online marketplace for buyers and sellers of goods and services; organization of exhibitions for commercial or advertising purposes; organization of trade fairs; advisory services for business management; business intermediary services relating to the matching of potential private investors with entrepreneurs needing funding; commercial information agency services; employment agency services; business efficiency expert services; outsourcing services [business assistance]; competitive intelligence services; corporate communications services; price comparison services; market intelligence services; procurement services for others [purchasing goods and services for other businesses]; media relations services; import-export agency services; advertising agency services; public relations; commercial lobbying services; commercial intermediation services; wholesale services for pharmaceutical, veterinary and sanitary preparations and medical supplies; retail services for pharmaceutical, veterinary and sanitary preparations and medical supplies; data search in computer files for others; sponsorship search; search engine optimization for sales promotion; presentation of goods on communication media, for retail purposes; radio advertising; advertising; pay per click advertising; outdoor advertising; online advertising on a computer network; dissemination of advertising matter; development of advertising concepts; business investigations; systemization of information into computer databases; compiling indexes of information for commercial or advertising purposes; sales promotion for others; promotion of goods and services through sponsorship of sports events; production of teleshopping programmes; television advertising; telemarketing services; negotiation and conclusion of commercial transactions for third parties; professional business consultancy.

(260) AM 2021 108336 A
 (800) 1531256
 (151) 2020 01 18
 (891) 2020 01 18
 (731) ACULIFE HEALTHCARE PRIVATE LIMITED
 Commerce House-V, Besides Vodafone House,
 Prahladnagar Corporate Road, Ahmedabad
 380051, Gujarat, India
 (540)

XTROP

(591) Black, white
 (531) 27.05.01; 27.05.17
 (511)
 5 – Medicinal and pharmaceutical preparations.

(260) AM 2021 108337 A
 (800) 1531265
 (151) 2019 12 05
 (891) 2019 12 05
 (731) Société Ile Vierge
 645 Prat Menan, F-29880 PLOUGUERNEAU,
 France
 (540)

Thalasso

 Bretagne

(591) Black, white
 (531) 26.11.02; 26.11.06; 26.11.13
 (511)
 3 – Perfumery; cosmetic preparations based on algae and active marine components for face, body and hair care, cleansing emulsions, cleansing milks, tonic lotions, beauty masks, skin scrub preparations and facial exfoliating preparations, beauty creams, gels and serums; moisturizing milks, oils, body lotions, soaps, seaweed powder for facial, body and hair care, shampoos, shower gels, bath preparations (foaming and non-foaming), bath salts and powders, effervescent shower and bath tablets.
 30 – Dietetic substances, not for medical use, based on seaweed and/or plants, in the form of capsules, tablets, compressed tablets.
 32 – Dietetic beverages, not for medical use, based on seaweed and/or plants.

(260) AM 2021 108338 A

(800) 1531304

(151) 2020 04 10

(891) 2020 04 10

(731) Gesellschaft mit beschränkter Haftung
"Ehrmann"

pos. RAOS, 15, Ramenskiy r-n, RU-140126

Moscow Region, Russian Federation

(540)

EPICA Crispy

(591) Black, white

(531) 27.05.01; 27.05.17

(511)

29 – Milk and milk products.

(260) AM 2021 108339 A

(800) 1531319

(151) 2020 04 10

(891) 2020 04 10

(731) Gesellschaft mit beschränkter Haftung
"Ehrmann"

pos. RAOS, 15, Ramenskiy r-n, RU-140126

Moscow Region, Russian Federation

(540)

EPICA Bouquet

(591) Black, white

(531) 27.05.01; 27.05.17

(511)

29 – Milk and milk products.

(260) AM 2021 108340 A

(800) 1531321

(151) 2020 02 28

(891) 2020 02 28

(731) Open-Type Joint Stock Company

"Confectionary Concern Babaevsky"

ul. Malaya Krasnoselskaya, d. 7, RU-107140

Moscow, Russian Federation

(540)

(591) Dark blue, white, blue, light yellow, orange,
brown, light brown and yellow(531) 01.01.05; 01.03.18; 01.05.24; 07.05.25;
26.01.16; 26.11.21; 28.05; 29.01.15

(526) 1804.

(511)

30 – Buns; waffles; artificial coffee; confectionery;
confectionery for decorating christmas trees; cakes;
peanut confectionery; almond confectionery; cocoa;
caramels [sweets]; sweets; liquorice [confectionery];
peppermint sweets; coffee; crackers; marzipan; ice
cream; cocoa beverages with milk; coffee beverages
with milk; coffee-based beverages; chocolate bevera-
ges with milk; chocolate-based beverages; pastilles
[confectionery]; cookies; fondants [confectionery];
pralines; gingerbread; sugar; cake dough; almond
paste; fruit cakes; halvah; chocolate.

(260) AM 2021 108356 A

(800) 1531791

(151) 2020 02 07

(891) 2020 02 07

(731) Individual entrepreneur Bogatyrev Vasily
Alexandrovich

ul. Admiral Zhiltsov, 3 sq. 13, Ivanteevka,

RU-141280 Moscow region, Russian

Federation

(540)



(591) Black, white

(531) 27.05.09; 27.05.15; 27.05.17; 27.07.11

(511)

3 – Abrasives; amber [perfume]; descaling prepara-
tions for household purposes; antistatic preparations
for household purposes; aromatics [essential oils]; air
fragrancing preparations; cake flavorings [essential
oils]; flavorings for beverages [essential oils]; food
flavorings [essential oils]; breath freshening sprays;
canned pressurized air for cleaning and dusting pur-
poses; balms, other than for medical purposes; basma
[cosmetic dye]; lip glosses; nail glitter; polishing sto-
nes; abrasive paper; emery paper; polishing paper;
petroleum jelly for cosmetic purposes; shoe polish;
cobblers' wax; cotton wool for cosmetic purposes;
sachets for perfuming linen; drying agents for dish-
washing machines; adhesives for cosmetic purposes;
scented water; javelle water; lavender water; toilet
water; wax for parquet floors; floor wax; non-slipping
wax for floors; depilatory wax; mustache wax; tailors'
wax; creams for leather; polish for furniture and flo-
oring; shoemakers' wax; polishing wax; massage gels,
other than for medical purposes; heliotropine; dental
bleaching gels; geraniol; make-up; deodorants for
pets; depilatory preparations; air fragrance reed diffu-

sers; scented wood; perfumes; non-slipping liquids for floors; windshield cleaning liquids; greases for cosmetic purposes; volcanic ash for cleaning; perfumery; decorative transfers for cosmetic purposes; ionone [perfumery]; shaving stones [astringents]; smoothing stones; eyebrow pencils; cosmetic pencils; silicon carbide [abrasive]; carbides of metal [abrasives]; alum stones [astringents]; tripoli stone for polishing; adhesives for affixing false eyelashes; adhesives for affixing false hair; hair conditioners; quillaia bark for washing; corundum [abrasive]; beard dyes; colorants for toilet purposes; cosmetic dyes; laundry starch; laundry glaze; shoe cream; polishing creams; cosmetic creams; skin whitening creams; polishing rouge; incense; hair spray; nail polish; hair lotions; lotions for cosmetic purposes; after-shave lotions; beauty masks; oils for perfumes and scents; oils for cosmetic purposes; oils for toilet purposes; essential oils; essential oils of cedarwood; essential oils of lemon; essential oils of citron; oils for cleaning purposes; bergamot oil; gaultheria oil; jasmine oil; lavender oil; almond oil; rose oil; oil of turpentine for degreasing; whitening; cleaning chalk; almond milk for cosmetic purposes; cleansing milk for toilet purposes; musk [perfumery]; soap; deodorant soap; shaving soap; soap for brightening textile; cakes of toilet soap; antiperspirant soap; soap for foot perspiration; almond soap; mint for perfumery; cosmetic kits; emery; gel eye patches for cosmetic purposes; nail art stickers; false nails; eau de Cologne; bases for flower perfumes; joss sticks; pastes for razor strops; dentifrices; pumice stone; lipstick cases; hydrogen peroxide for cosmetic purposes; breath freshening strips; teeth whitening strips; abrasive cloth; glass cloth [abrasive cloth]; lipsticks; pomades for cosmetic purposes; shaving preparations; cosmetic preparations for baths; bath preparations, not for medical purposes; hair straightening preparations; hair waving preparations; laundry soaking preparations; grinding preparations; smoothing preparations [starching]; color-removing preparations; leather bleaching preparations; polishing preparations; denture polishes; mouthwashes, not for medical purposes; cosmetic preparations for slimming purposes; starch glaze for laundry purposes; preparations to make the leaves of plants shiny; eye-washes, not for medical purposes; fabric softeners for laundry use; laundry bleach; dry-cleaning preparations; paint stripping preparations; lacquer-removing preparations; make-up removing preparations; floor wax removers [scouring preparations]; varnish-removing preparations; rust removing preparations; nail care preparations; cleaning preparations; preparations for cleaning dentures; wall-paper cleaning preparations; preparations for unblocking drain pipes; chemical cleaning preparations for household purposes; collagen preparations for cosmetic purposes; bleaching preparations [decolorants] for household purposes; laundry preparations; aloe vera preparations for cosmetic purposes; sunscreen preparations; color-brightening chemicals for household

purposes [laundry]; breath freshening preparations for personal hygiene; shining preparations [polish]; make-up powder; diamantine [abrasive]; stain removers; nail varnish removers; vaginal washes for personal sanitary or deodorant purposes; scouring solutions; false eyelashes; baby wipes impregnated with cleaning preparations; tissues impregnated with cosmetic lotions; tissues impregnated with make-up removing preparations; saffrol; massage candles for cosmetic purposes; laundry blueing; turpentine for degreasing; potpourris [fragrances]; bleaching soda; bath salts, not for medical purposes; bleaching salts; fumigation preparations [perfumes]; preservatives for leather [polishes]; ammonia [volatile alkali] [detergent]; astringents for cosmetic purposes; eyebrow cosmetics; make-up preparations; sun-tanning preparations [cosmetics]; hair dyes; neutralizers for permanent waving; cosmetic preparations for eyelashes; cosmetic preparations for skin care; cosmetics; cosmetics for children; cosmetics for animals; mascara; cleansers for intimate personal hygiene purposes, non medicated; douching preparations for personal sanitary or deodorant purposes [toiletries]; detergents, other than for use in manufacturing operations and for medical purposes; degreasers, other than for use in manufacturing processes; bleaching preparations [decolorants] for cosmetic purposes; toiletry preparations; antiperspirants [toiletries]; phyto-cosmetic preparations; talcum powder, for toilet use; cotton sticks for cosmetic purposes; terpenes [essential oils]; emery cloth; cloths impregnated with a detergent for cleaning; henna [cosmetic dye]; shampoos; shampoos for animals [non-medicated grooming preparations]; shampoos for pets [non-medicated grooming preparations]; dry shampoos; sandpaper; soda lye; herbal extracts for cosmetic purposes; extracts of flowers [perfumes]; ethereal essences; badian essence; mint essence [essential oil].

5 – Acaricides; aconitine; alkaloids for medical purposes; alginates for pharmaceutical purposes; algicides; aldehydes for pharmaceutical purposes; dental amalgams of gold; dental amalgams; amino acids for veterinary purposes; amino acids for medical purposes; analgesics; anaesthetics; antibiotics; antiseptics; medicine cases, portable, filled; first-aid boxes, filled; aluminium acetate for pharmaceutical purposes; acetates for pharmaceutical purposes; germicides; balms for medical purposes; bandages for dressings; diagnostic biomarker reagents for medical purposes; biocides; bracelets impregnated with insect repellent; bromine for pharmaceutical purposes; paper for mustard plasters; fly catching paper; reagent paper for veterinary purposes; reagent paper for medical purposes; mothproofing paper; petroleum jelly for medical purposes; vaccines; oxygen baths; antiseptic cotton; aseptic cotton; absorbent cotton; wadding for medical purposes; cotton for medical purposes; dietetic substances adapted for medical use; radiological contrast substances for medical purposes; nutritive substances

for microorganisms; radioactive substances for medical purposes; melissa water for pharmaceutical purposes; sea water for medicinal bathing; mineral waters for medical purposes; thermal water; dietary fiber; molding wax for dentists; gases for medical purposes; guaiacol for pharmaceutical purposes; sexual stimulant gels; hematogen; hemoglobin; hydrastine; hydrastinine; glycerine for medical purposes; glycerophosphates; glucose for medical purposes; gentian for pharmaceutical purposes; hormones for medical purposes; mustard for pharmaceutical purposes; mustard plasters; mud for baths; medicinal mud; gamboge for medical purposes; gurjun balsam for medical purposes; disinfectants; air deodorising preparations; deodorants, other than for human beings or for animals; deodorants for clothing and textiles; diastase for medical purposes; digitalin; vitamin supplement patches; mineral food supplements; nutritional supplements; albumin dietary supplements; dietary supplements for animals; yeast dietary supplements; alginate dietary supplements; glucose dietary supplements; casein dietary supplements; lecithin dietary supplements; linseed oil dietary supplements; propolis dietary supplements; protein dietary supplements; protein supplements for animals; royal jelly dietary supplements; pollen dietary supplements; wheat germ dietary supplements; linseed dietary supplements; acai powder dietary supplements; dietary supplements with a cosmetic effect; enzyme dietary supplements; yeast for pharmaceutical purposes; gelatine for medical purposes; cod liver oil; isotopes for medical purposes; immunostimulants; insecticides; iodine for pharmaceutical purposes; iodides for pharmaceutical purposes; alkaline iodides for pharmaceutical purposes; iodoform; calomel [fungicide]; tartar for pharmaceutical purposes; camphor for medical purposes; capsules for medicines; cachets for pharmaceutical purposes; capsules made of dendrimer-based polymers, for pharmaceuticals; hemostatic pencils; wart pencils; caustic pencils; carbolineum [parasiticide]; caustics for pharmaceutical purposes; cachou for pharmaceutical purposes; quassia for medical purposes; quebracho for medical purposes; oxygen for medical purposes; gallic acid for pharmaceutical purposes; acids for pharmaceutical purposes; adhesives for dentures; surgical glues; stem cells for veterinary purposes; stem cells for medical purposes; cocaine; collagen for medical purposes; collodion for pharmaceutical purposes; corn rings for the feet; medicated sweets; barks for pharmaceutical purposes; cedar wood for use as an insect repellent; croton bark; mangrove bark for pharmaceutical purposes; myrobalan bark for pharmaceutical purposes; quinquina for medical purposes; medicated animal feed; medicinal roots; rhubarb roots for pharmaceutical purposes; lint for medical purposes; starch for dietetic or pharmaceutical purposes; creosote for pharmaceutical purposes; blood for medical purposes; cultures of microorganisms for medical or veterinary use; curare; dental lacquer; liquorice for pharmaceutical purposes;

lactose for pharmaceutical purposes; adhesive plasters; medicines for alleviating constipation; lecithin for medical purposes; lotions for veterinary purposes; medicated hair lotions; lotions for pharmaceutical purposes; medicated after-shave lotions; personal sexual lubricants; lupulin for pharmaceutical purposes; magnesia for pharmaceutical purposes; liniments; ointments for pharmaceutical purposes; sunburn ointments; mercurial ointments; frostbite salve for pharmaceutical purposes; gauze for dressings; medicinal oils; mustard oil for medical purposes; camphor oil for medical purposes; castor oil for medical purposes; oil of turpentine for pharmaceutical purposes; dill oil for medical purposes; dental mastics; dental abrasives; dental impression materials; teeth filling material; dressings, medical; surgical dressings; drugs for medical purposes; medicines for veterinary purposes; serotherapeutic medicines; medicines for human purposes; medicines for dental purposes; menthol; medicinal drinks; moleskin for medical purposes; almond milk for pharmaceutical purposes; powdered milk for babies; royal jelly for pharmaceutical purposes; milk ferments for pharmaceutical purposes; Irish moss for medical purposes; flour for pharmaceutical purposes; linseed meal for pharmaceutical purposes; fish meal for pharmaceutical purposes; fly glue; antibacterial soap; disinfectant soap; medicated soap; freeze-dried meat adapted for medical purposes; mint for pharmaceutical purposes; dietetic beverages adapted for medical purposes; malted milk beverages for medical purposes; injectable dermal fillers; narcotics; medicinal infusions; tincture of iodine; eucalyptol for pharmaceutical purposes; tinctures for medical purposes; opium; opodeldoc; decoctions for pharmaceutical purposes; antiparasitic collars for animals; stick liquorice for pharmaceutical purposes; sulfur sticks [disinfectants]; pastilles for pharmaceutical purposes; medicated dentifrices; pectin for pharmaceutical purposes; pepsins for pharmaceutical purposes; peptones for pharmaceutical purposes; hydrogen peroxide for medical purposes; pesticides; food for babies; leeches for medical purposes; blood plasma; nicotine patches for use as aids to stop smoking; eyepatches for medical purposes; poultices; compresses; scapulars for surgical purposes; babies' diapers; diapers for pets; diapers for incontinence; bunion pads; breast-nursing pads; pomades for medical purposes; powder of cantharides; pyrethrum powder; anti-uric preparations; bacterial preparations for medical and veterinary use; bacteriological preparations for medical and veterinary use; balsamic preparations for medical purposes; albuminous preparations for medical purposes; biological preparations for veterinary purposes; biological preparations for medical purposes; veterinary preparations; bismuth preparations for pharmaceutical purposes; vitamin preparations; diagnostic preparations for medical purposes; bath preparations for medical purposes; therapeutic preparations for the bath; hemorrhoid preparations; preparations for callouses; lice treatment

preparations [pediculicides]; acne treatment preparations; preparations to facilitate teething; preparations for the treatment of burns; fumigation preparations for medical purposes; ootherapy preparations; air purifying preparations; bronchodilating preparations; preparations for reducing sexual activity; sterilising preparations; soil-sterilising preparations; corn remedies; pharmaceutical preparations for treating dandruff; preparations for destroying noxious animals; herbicides; preparations for destroying dry rot fungus; larvae exterminating preparations; fly destroying preparations; preparations for destroying mice; slug exterminating preparations; vermin destroying preparations; pharmaceutical preparations for skin care; contact lens cleaning preparations; preparations of microorganisms for medical or veterinary use; lime-based pharmaceutical preparations; medicated eye-washes; medicinal hair growth preparations; nutraceutical preparations for therapeutic or medical purposes; opiates; anticryptogamic preparations; aloe vera preparations for pharmaceutical purposes; preparations of trace elements for human and animal use; sulfonamides [medicines]; pharmaceutical preparations; pharmaceutical preparations for treating sunburn; enzyme preparations for veterinary purposes; enzyme preparations for medical purposes; phytotherapy preparations for medical purposes; chemico-pharmaceutical preparations; chemical preparations for veterinary purposes; chemical preparations for the diagnosis of pregnancy; chemical preparations for medical purposes; chemical preparations for treating diseases affecting cereal plants; chemical preparations for treating wheat blight; chemical preparations for treating diseases affecting vine plants; chemical preparations for treating mildew; chemical preparations for treating phylloxera; chemical preparations for pharmaceutical purposes; chilblain preparations; mothproofing preparations; collyrium; lead water; chemical conductors for electrocardiograph electrodes; albuminous foodstuffs for medical purposes; dietetic foods adapted for medical purposes; by-products of the processing of cereals for dietetic or medical purposes; homogenized food adapted for medical purposes; freeze-dried food adapted for medical purposes; pharmaceuticals; sanitary towels; panty liners [sanitary]; propolis for pharmaceutical purposes; pearl powder for medical purposes; radium for medical purposes; hydrated chloral for pharmaceutical purposes; solvents for removing adhesive plasters; vaginal washes for medical purposes; solutions for contact lenses; chemical reagents for medical or veterinary purposes; gum for medical purposes; rubber for dental purposes; chewing gum for medical purposes; nicotine gum for use as an aid to stop smoking; insect repellents; insect repellent incense; repellents for dogs; tissues impregnated with pharmaceutical lotions; sarsaparilla for medical purposes; sugar for medical purposes; asthmatic tea; fumigating sticks; massage candles for therapeutic purposes; linseed for pharmaceutical purposes; tobacco-free ciga-

rettes for medical purposes; siccatives [drying agents] for medical purposes; syrups for pharmaceutical purposes; turpentine for pharmaceutical purposes; greases for veterinary purposes; greases for medical purposes; lacteal flour for babies; infant formula; soporifics; bicarbonate of soda for pharmaceutical purposes; bath salts for medical purposes; salts for mineral water baths; salts for medical purposes; potassium salts for medical purposes; sodium salts for medical purposes; smelling salts; mineral water salts; malt for pharmaceutical purposes; semen for artificial insemination; alcohol for pharmaceutical purposes; medicinal alcohol; alloys of precious metals for dental purposes; ergot for pharmaceutical purposes; cooling sprays for medical purposes; antibacterial handwashes; adjuvants for medical purposes; astringents for medical purposes; vermifuges; disinfectants for hygiene purposes; disinfectants for chemical toilets; appetite suppressants for medical purposes; medical preparations for slimming purposes; parasiticides; mouthwashes for medical purposes; febrifuges; depuratives; animal washes [insecticides]; detergents for medical purposes; cattle washes [insecticides]; dog washes [insecticides]; insecticidal veterinary washes; vesicants; purgatives; remedies for perspiration; remedies for foot perspiration; chemical contraceptives; antiparasitic preparations; sedatives; laxatives; tonics [medicines]; medicated toiletry preparations; digestives for pharmaceutical purposes; nervines; media for bacteriological cultures; steroids; strychnine; serums; tanning pills; appetite suppressant pills; slimming pills; jujube, medicated; antioxidant pills; sanitary tampons; vulnerary sponges; thymol for pharmaceutical purposes; biological tissue cultures for veterinary purposes; biological tissue cultures for medical purposes; smoking herbs for medical purposes; medicinal herbs; surgical implants comprised of living tissues; pants, absorbent, for incontinence; sanitary panties; babies' diaper-pants; charcoal for pharmaceutical purposes; fennel for medical purposes; porcelain for dental prostheses; phenol for pharmaceutical purposes; enzymes for veterinary purposes; enzymes for medical purposes; ferments for pharmaceutical purposes; formic aldehyde for pharmaceutical purposes; phosphates for pharmaceutical purposes; fungicides; quinine for medical purposes; chinoline for medical purposes; diabetic bread adapted for medical use; chloroform; flowers of sulfur for pharmaceutical purposes; cement for animal hooves; bone cement for surgical and orthopaedic purposes; dental cements; medicinal tea; herbal teas for medicinal purposes; insecticidal animal shampoos; medicated shampoos; medicated shampoos for pets; pediculicidal shampoos; medicated dry shampoos; pre-filled syringes for medical purposes; eucalyptus for pharmaceutical purposes; herbal extracts for medical purposes; plant extracts for pharmaceutical purposes; tobacco extracts [insecticides]; extracts of hops for pharmaceutical purposes; elixirs [pharmaceutical preparations]; ethers for pharmaceutical purpo-

ses; esters for pharmaceutical purposes; cellulose esters for pharmaceutical purposes; rat poison; poisons; bacterial poisons; jalap; cotton sticks for medical purposes.

34 – Flavorings, other than essential oils, for tobacco; flavorings, other than essential oils, for use in electronic cigarettes; gas containers for cigar lighters; absorbent paper for tobacco pipes; cigarette paper; lighters for smokers; tobacco pouches; books of cigarette papers; humidors; matchboxes; firestones; cigar cutters; cigar holders; cigarette holders; mouthpieces for cigarette holders; tips of yellow amber for cigar and cigarette holders; ashtrays for smokers; spittoons for tobacco users; pipe racks for tobacco pipes; pipe cleaners for tobacco pipes; liquid solutions for use in electronic cigarettes; electronic cigarettes; cigarettes; cigarettes containing tobacco substitutes, not for medical purposes; cigarillos; cigars; tobacco jars; match holders; matches; oral vaporizers for smokers; tobacco; chewing tobacco; snuff; snuffboxes; herbs for smoking; tobacco pipes; pocket machines for rolling cigarettes; cigarette filters; wicks adapted for cigarette lighters; cigarette tips; cigar cases; cigarette cases.

35 – Arranging subscriptions to telecommunication services for others; import-export agency services; commercial information agency services; advertising agency services; cost price analysis; rental of office equipment in co-working facilities; rental of advertising space; business auditing; financial auditing; business intermediary services relating to the matching of potential private investors with entrepreneurs needing funding; employment agency services; computerized file management; book-keeping; invoicing; demonstration of goods; transcription of communications [office functions]; opinion polling; market studies; business investigations; business research; marketing research; personnel recruitment; business management and organization consultancy; business organization consultancy; business management consultancy; personnel management consultancy; professional business consultancy; consultancy regarding advertising communication strategies; consultancy regarding public relations communication strategies; layout services for advertising purposes; marketing; marketing in the framework of software publishing; targeted marketing; business management of performing artists; business management of sports people; writing of résumés for others; scriptwriting for advertising purposes; news clipping services; updating and maintenance of information in registries; updating and maintenance of data in computer databases; updating of advertising material; word processing; online retail services for downloadable and pre-recorded music and movies; online retail services for downloadable ring tones; online retail services for downloadable digital music; organization of exhibitions for commercial or advertising purposes; arranging newspaper subscriptions for others; organization of fashion shows for promotional

purposes; shop window dressing; business appraisals; payroll preparation; data search in computer files for others; sponsorship search; administrative assistance in responding to calls for tenders; business management assistance; commercial or industrial management assistance; commercial intermediation services; providing business information via a web site; providing commercial and business contact information; provision of an online marketplace for buyers and sellers of goods and services; web indexing for commercial or advertising purposes; presentation of goods on communication media, for retail purposes; media relations services; economic forecasting; auctioneering; wholesale services for pharmaceutical, veterinary and sanitary preparations and medical supplies; retail services for works of art provided by art galleries; retail services for pharmaceutical, veterinary and sanitary preparations and medical supplies; sales promotion for others; promotion of goods and services through sponsorship of sports events; production of tele-shopping programmes; production of advertising films; office machines and equipment rental; rental of advertising time on communication media; publicity material rental; rental of billboards [advertising boards]; rental of vending machines; rental of sales stands; rental of photocopying machines; publication of publicity texts; radio advertising; bill-posting; distribution of samples; dissemination of advertising matter; direct mail advertising; registration of written communications and data; writing of publicity texts; advertising; online advertising on a computer network; advertising by mail order; television advertising; compilation of statistics; compilation of information into computer databases; business inquiries; systemization of information into computer databases; advisory services for business management; corporate communications services; negotiation of business contracts for others; negotiation and conclusion of commercial transactions for third parties; compiling indexes of information for commercial or advertising purposes; tax preparation; drawing up of statements of accounts; telemarketing services; psychological testing for the selection of personnel; interim business management; business management of hotels; business management for freelance service providers; business project management services for construction projects; commercial administration of the licensing of the goods and services of others; business management of reimbursement programs for others; administration of consumer loyalty programs; administration of frequent flyer programs; administrative processing of purchase orders; public relations; commercial lobbying services; competitive intelligence services; modelling for advertising or sales promotion; typing; market intelligence services; appointment reminder services [office functions]; web site traffic optimization; tax filing services; search engine optimization for sales promotion; appointment scheduling services [office functions]; gift registry services; price compari-

son services; pay per click advertising; secretarial services; procurement services for others [purchasing goods and services for other businesses]; shorthand; outsourcing services [business assistance]; telephone answering for unavailable subscribers; photocopying services; business efficiency expert services; online retail and wholesale services for goods.

40 – Paper finishing; applying finishes to textiles; beer brewing for others; upcycling [waste recycling]; vulcanization [material treatment]; skin dressing; fruit crushing; embroidering; galvanization; electroplating; engraving; decontamination of hazardous materials; air deodorizing; stripping finishes; tanning; metal tempering; freezing of foods; gilding; gold plating; cadmium plating; permanent-press treatment of fabrics; food and drink preservation; food smoking; leather staining; fur dyeing; shoe staining; textile dyeing; cloth dyeing; laminating; lithographic printing; metal casting; fur glossing; tin plating; boilermaking; taxidermy; magnetization; nickel plating; abrasion; paper treating; water treating; woodworking; processing of cinematographic films; leather working; cloth edging; metal treating; fur conditioning; fur mothproofing; waste treatment [transformation]; textile mothproofing; fabric waterproofing; crease-resistant treatment for clothing; cloth fireproofing; textile treating; wool treating; framing of works of art; window tinting treatment, being surface coating; air freshening; fabric bleaching; air purification; soldering; clothing alteration; recycling of waste and trash; processing of oil; pattern printing; photographic printing; offset printing; metal plating; printing; burnishing by abrasion; flour milling; dressmaking; custom manufacturing of bread; rental of boilers; knitting machine rental; rental of generators; rental of air-conditioning apparatus; rental of space heating apparatus; photographic film development; pottery firing; blacksmithing; custom assembling of materials for others; bookbinding; welding services; glass-blowing; saddlery working; grinding; cloth cutting; sawing of materials; refining services; timber felling and processing; fur satining; silver plating; incineration of waste and trash; laser scribing; warping [looms]; sorting of waste and recyclable material [transformation]; photocomposing services; quilting; planing of materials; fulling of cloth; tinting of car windows; slaughtering of animals; destruction of waste and trash; cloth pre-shrinking; custom 3D printing for others; services of a dental technician; cryopreservation services; key cutting; dyeing services; sandblasting services; production of energy; custom tailoring; custom fashioning of fur; photogravure; millworking; chromium plating; colour separation services; silkscreen printing; optical glass grinding.

(260) AM 2021 108357 A

(800) 1531815

(151) 2020 03 30

(891) 2020 03 30

(731) Vetprom AD

St. "Otets Paisiy" 26, BG-2400 Radomir,
Bulgaria

(540)

ТРОКСИГЕЛ TROXIGEL

(591) Black, white

(531) 28.05

(511)

5 – Herbal creams for medical use; capillary stabilizing agents for medical purposes; body gels for pharmaceutical use; medicine; topical analgesic creams; medicated ointments for application to the skin; medicated hair lotions; therapeutic creams [medical]; medical preparations; medicated muscle soaks; non-steroidal anti-inflammatory drugs; anti-inflammatory gels; sanitary preparations and articles; pharmaceutical and veterinary preparations; pharmaceutical preparations for relieving swelling in the legs; pharmaceutical preparations for treating sports injuries; pharmaceutical preparations for treating and prevention of inflammatory disorders; pharmaceutical preparations for treating musculo-skeletal disorders and gout; pharmaceutical preparations for treating rheumatological diseases and arthritis.

(260) AM 2021 108358 A

(800) 1531822

(151) 2020 03 30

(891) 2020 03 30

(731) Vetprom AD

St. "Otets Paisiy" 26, BG-2400 Radomir,
Bulgaria

(540)

TROXI-CAPS ТРОКСИ-КАПС

(591) Black, white

(531) 28.05

(511)

5 – Capillary stabilizing agents for medical purposes; body gels for pharmaceutical use; medicine; topical gels for medical and therapeutic use; non-steroidal anti-inflammatory drugs; anti-inflammatories; sanitary preparations and articles; pharmaceutical and veterinary preparations; pharmaceutical preparations and substances with anti-inflammatory properties; pharmaceutical preparations for relieving swelling in the legs; pharmaceutical preparations for treating sports injuries; pharmaceutical products and preparations to prevent swelling in the legs; pharmaceutical preparations for treating and prevention of inflammatory disorders; pharmaceutical preparations for treating musculo-skeletal disorders and gout; pharmaceutical pre-

parations for treating rheumatological diseases and arthritis.

(260) AM 2021 108359 A
(800) 1531868
(151) 2020 04 01
(891) 2020 04 01
(731) JBP KOREA Co., Ltd.
(Gaepo-dong, Seoul Gangnam Postal Bldg.),
6th Floor, Gaepo-ro 619, Gangnam-gu,
Seoul, Republic of Korea

(540)

 **JBP Nano Cannula**

(591) The colors RED, LIGHT ORANGE, DARK ORANGE and BLACK are claimed as a feature of the mark

(531) 27.05.09; 27.05.10; 29.01.14

(511)

10 – Medical apparatus and instruments; injectors for medical purposes; injection needles for medical use; thread for medical use; lifting thread for medical purposes; biomaterials made of artificial material for dermatology; implants made of artificial material for skin regeneration; medical apparatus for injecting fillers.

(260) AM 2021 108360 A
(800) 1531969
(151) 2020 02 11
(891) 2020 02 11
(731) Polski Koncern Naftowy ORLEN Spółka Akcyjna
Chemików 7, PL-09-411 Płock, Poland

(540)



(591) White, black and grey
(531) 03.07.01; 03.07.24; 24.17.02; 26.11.12;
27.05.01; 27.05.17

(511)

1 – Petroleum refining products; refined and petrochemical petroleum products and semi-finished products; saturated and unsaturated olefin and diene hydrocarbons and their polymers; ethylene; propylene; polyethylene; polypropylene; butadiene; benzene; toluene; ethylobenzene fraction; C4 fractions; C9 hydrocarbons and higher; phenol; acetone; cumene; solvents; aromatic hydrocarbons; ethylene glycols; ethylene oxide; ethers; sulfur; hydrogen sulfide; chemical substances; hydrogen and hydrogen gases; chemical additives for fuels and lubricants; gases for industrial

purposes; separation oils; low freezing fluids; brake fluids; unprocessed plastics.

4 – Fuels; liquified gases; gasoline; diesel oils; heating oils; industrial oils; motor oils; paraffin; motor fuels; aviation fuels; coke; xylenes; lubricants; petroleum fuels; non-chemical fuel additives; propane.

(260) AM 2021 108367 A
(800) 1532137
(151) 2019 12 27
(891) 2019 12 27
(731) GALERİ KRİSTAL TURİZM İNŞAAT
PAZARLAMA VE TİCARET ANONİM
ŞİRKETİ
Havaalanı Yolu 11 Km., Serik Cad. No.371,
Altınova Kepez, Antalya, Turkey

(540)

ultraform

(591) Black, white

(511)

8 – Side arms and blades (weapons): swords, epees, acinaces, dagger, poniard, harpoons, spear; forks, spoons, knives and non-electric cutters, slicers, peelers for kitchen use, including those made of precious metals: knives, forks, spoons, scoops/landles [hand tools], Parisian spoons, tongs, fruit and vegetable peelings shapers, leaven cutters, butters cutters, non-electrical cheese and egg slicers, pizza cutters, vegetable and fruit peelers.

21 – Non-electrical cooking and heating tools: cookers, heaters, grills, barbecues, metal cooking sets; unworked or semi-worked glass, except building glass, mosaics of glass and powdered glass for decoration, except for building, glass wool other than for insulation or textile use; toothpicks, drinking straws; corkscrews (bottle openers), shoe horns; nozzles for sprinkler hose, nozzles for watering cans, watering devices, garden watering cans; perfume burners, perfume censer, perfume sprayers, perfume vaporizers; hand-operated, non-electrical small tools for home and kitchen uses: mixers, blenders, coffee and spice mills, vegetable and fruit reamers, grinders and crushers, graters; hand-operated non-electric cleaning instruments and appliances, brushes, other than paint-brushes, sponges for cleaning, steel wool for cleaning, cloths of textile for cleaning, gloves for dishwashing, non-electric polishing machines for household purposes, brooms for carpets, mops, brushes for cleaning purposes, materials used to make brushes, carpet beaters and pads for cleaning purposes; toothbrushes, electric toothbrushes, dental floss, shaving brushes, hair brushes, combs; houseware and kitchenware, pots and pans made of glass, porcelain, ceramic, base metal, plastics, synthetic materials and other materials: buckets, dustbins, pots, dishes, paper plates, glasses, trays, coffee pots, sifters, scoops, oiling spoons, spatulas,

basins, bowls, egg cups, cake moulds, pitchers, food storage containers, coasters and table mats; flower pots, soap holders, soap dispensers, boxes for dispensing paper towels, paper towel dispensers, toilet paper holders; baby baths, ice cube molds, coolers [ice pails], heat insulated containers, flasks, picnic baskets (those containing dishes), cups given for sports competition, bread bins, bread baskets, bread board (including those made of synthetic materials); ironing boards and shaped covers therefor, drying racks for washing, clothes drying hangers; cages for pets, bed boxes, toilet boxes, water cups and feed boxes, bird baths, hoops for birds; ornaments and decorative goods of glass, porcelain, earthenware or clay namely statues, figurines, art goods; bottles, jars, carboys; mouse traps, insect traps, fly catchers, fly swatters.

35 – Advertising agent services; ad offices services; advertising and ad services through television, radio and mail; services to prepare of ad columns; services to distribute advertising materials; services to organize exhibitions and fairs for commercial and advertising purposes; modelling services for advertising and sales purposes; services for marketing practices; information services concerning marketing; services to increase the sales volumes (promotion); services for window-dressing and decorating; survey services; public relation services; consultancy services concerning business administration (business information); business assistance services for commercial or industrial management; consultancy services concerning business administration and organization (reconstruction); business management services of hotels; evaluation services for business purposes (business and time studies); information gathering services for business purposes; business-related research services (production process and methods); statistical analysis and reporting services for business purposes; administrative services relating to the relocation of personnel; employment agency services; services for psychological tests for personnel selection; job placement services; services for the arrangement of accounting records; book keeping services; accounting audit services; price analysis services; economic prediction services; payroll preparation services; tax preparation services; import-export agencies; auctioneering; business appraisals; the bringing together, for the benefit of others, of a variety of goods, enabling customers to conveniently view and purchase those goods, services to gather various goods together so that customers are able to see and purchase them in a convenient manner.

(260) AM 2021 108371 A
(800) 1532227
(151) 2020 02 21
(891) 2020 02 21
(731) Obshchestvo s ogranichennoy otvetstvennostyu "AmantisMed"
Str.Minskaya, 2i-125, 223141 Logoysk, Belarus

(540)

Профен Prophen

(591) Black, white

(531) 28.05

(511)

5 – Pharmaceutical preparations and substances for pharmaceutical purposes; vitamin and mineral preparations and supplements; nutritional supplements for medical purposes.

(260) AM 2021 108448 A

(800) 1532509

(151) 2020 04 29

(891) 2020 04 29

(731) ZHEJIANG SENSEN AUTO PARTS CO., LTD.
INTERNATIONAL AUTOMOBILE,
INDUSTRIAL ZONE, RUIAN, ZHEJIANG,
China

(540)



(591) Black, white

(531) 26.11.21; 27.05.01; 27.05.17

(511)

12 – Gear boxes for land vehicles; transmission shafts for land vehicles; automobile chassis; shock absorbers for automobiles; brake pads for automobiles; undercarriages for vehicles; vehicle bumpers; vehicle suspension springs; suspension shock absorbers for vehicles; hydraulic circuits for vehicles.

(260) AM 2021 108450 A

(800) 1532601

(151) 2020 03 18

(891) 2020 03 18

(731) ZHEJIANG IGOODDOC HEALTH TECH CO., LTD.
Qinggang Industrial Zone, Yuhuan, Taizhou,
318000 Zhejiang, China

(540)

IGOODDOC

(591) Black, white

(511)

10 – Sanitary masks for medical purposes; medical apparatus and instruments; physiotherapy apparatus; basins for medical purposes; breast pumps; condoms; hair prostheses; orthopaedic articles.

(260) AM 2021 108451 A

(800) 1532620

(151) 2019 11 13

(891) 2019 11 13

(731) SDCIC Construction Group Shares CO., LTD
Block A, SDCIC mansion, NO.6 Guanglan
Road, Futian Free Trade Zone, Futian District,
Shenzhen City, 518000 Guangdong Province,
China

(540)



(591) Black, white

(531) 26.11.11; 26.13.25; 27.01.01; 27.05.01;
27.05.21

(511)

37 – Building construction supervision; construction information; construction of steel structures; construction of airports; construction; damp-proofing [building]; building insulating; building construction; building maintenance and repair; commercial housing construction; building of fair stalls and shops; upholstering; heating equipment installation and repair; electric appliance installation and repair; machinery installation, maintenance and repair; interference suppression in electrical apparatus; installation and repair of sanitary apparatus; installation and repair medical equipment; vehicle breakdown repair services; photographic apparatus repair; clock and watch repair; safe maintenance and repair; rustproofing; retreading of tires; carpentry services; laundering; disinfecting; pump repair and maintenance; cleaning of storage tanks; telephone installation and repair; elevator installation and repair; burglar alarm installation and repair; septic tank cleaning; restoration of musical instruments; knife sharpening; rental of drainage pumps; artificial snow-making services; repair of hand tools; book repair and restoration; repair of binoculars; repair of toys or dolls; repair of power lines; rental of dish washing machines; luggage repair; shoe repair; restoration of works of art; repair of game machines and game apparatus; swimming-pool maintenance; installation and repair of entertainment and sports apparatus; umbrella repair; jewelry repair.

42 – Weighing goods for others; marine chart updating services; graphic design; technological research; engineering drawing; engineering design services; quality testing; surveying; chemical analysis; biological research; meteorological information; material testing; industrial design; construction drafting; design of interior decor; construction project development; plan-

ning and design of entertainment venue buildings; exhibition venue design; architectural design; dress designing; computer software design; authenticating works of art; graphic arts design; cloud seeding; handwriting analysis [graphology]; cartography services; evaluation of product design.

(260) AM 2021 108452 A

(800) 1532624

(151) 2020 01 28

(891) 2020 01 28

(731) FERRERO S.P.A.

Piazzale Pietro Ferrero 1, I-12051 ALBA,
CUNEO, Italy

(540)



(591) Brown, beige, green, yellow, white and silver

(531) 05.05.21; 05.07.06; 08.01.06; 11.01.03;
11.03.02; 29.01.15

(511)

30 – Pastries; confectionery; ice cream; honey; chocolate; chocolate products; cocoa-based beverages; cocoa-based spreads; chocolate-based spreads; chocolate based spreads also containing nuts; maple spreads.

(260) AM 2021 108463 A

(800) 1532836

(151) 2020 02 05

(891) 2020 02 05

(731) YİĞİT AKÜ MALZEMELERİ NAKLİYAT
TURİZM İNŞAAT SANAYİ VE TİCARET
ANONİM ŞİRKETİ

Organize Sanyı Bölgesi Oğuz, Caddesi No:2,
SİNCAN, ANKARA, Turkey

(540)



(591) Black, white and red

(531) 26.11.11; 26.11.13; 27.05.10; 27.05.11;
29.01.13

(511)

9 – Batteries, apparatus and instruments for conducting, switching, transforming, accumulating, regulating or controlling the distribution or use of electricity; electrical, electronic cables and power supplies, batteries.

(260) AM 2021 108467 A

(800) 1532997

(151) 2020 02 14

(891) 2020 02 14

(731) Obshchestvo s ogranichennoy otvetstvennostyu
"KDV Yashkino"Molodezhnaya str., 1a, pgt. Yashkino,
RU-652010 Kemerovskaya Oblast, Russian
Federation

(540)

YASHKINO

(591) Black, white

(531) 27.05.01

(511)

29 – Preserved peppers; aloe vera prepared for human consumption; alginates for culinary purposes; anchovy, not live; peanuts, prepared; artichokes, preserved; albumen for culinary purposes; white of eggs; beans, preserved; soya beans, preserved, for food; bouillon; ginger jam; ham; fatty substances for the manufacture of edible fats; laver, preserved; edible birds' nests; peas, preserved; mushrooms, preserved; guacamole; game, not live; gelatine; meat jellies; jellies for food; fruit jellies; yolk of eggs; coconut fat; bone oil for food; lard; suet for food; edible fats; rennet; fruit-based snack food; milk substitutes; soya patties; tofu patties; charcuterie; raisins; caviar; eggplant paste; vegetable marrow paste; fish roe, prepared; yogurt; sauerkraut; kephir; kimchi; isinglass for food; clams, not live; potato-based dumplings; klipfish [salted and dried cod]; milk shakes; black pudding; onion rings; arrangements of processed fruit; compotes; meat, tinned; vegetables, tinned; fish, tinned; fruits, tinned; bouillon concentrates; corn dogs; gherkins; shrimps, not live; prawns, not live; buttercream; croquettes; silkworm chrysalis for human consumption; sweet corn, processed; kumys; spiny lobsters, not live; lecithin for culinary purposes; salmon, not live; peanut butter; cocoa butter for food; coconut oil for food; coconut butter; corn oil for food; sesame oil for food; linseed oil for food; extra virgin olive oil for food; olive oil for food; palm oil for food; palm kernel oil for food; sunflower oil for food; colza oil for food; butter; soya bean oil for food; shellfish, not live; almonds, ground; animal marrow for food; mussels, not live; milk; peanut milk; peanut milk for culinary purposes; coconut milk; coconut milk for culinary purposes; almond milk; almond milk for culinary purposes; oat milk; rice milk; rice milk for culinary purposes; albumin milk; condensed milk; soya milk; powdered milk; fish meal for human consumption; vegetable mousses; fish mousses; fruit pulp; meat; meat, preserved; freeze-dried meat; milk beverages, milk predominating; peanut milk-based beverages; coconut milk-based beverages; almond milk-based beverages; edible insects, not live; sausage casings, natural or artificial; vegetables, preserved; freeze-dried vegetables; vegetables, dried; vegetables, cooked; potato fritters; olives, preserved; lo-

busters, not live; flavored nuts; candied nuts; coconut, desiccated; nuts, prepared; tomato purée; pressed fruit paste; liver pâté; pectin for culinary purposes; liver; pickles; jams; powdered eggs; milk products; fish-based foodstuffs; curd; soured milk; poultry, not live; bulgogi; pollen prepared as foodstuff; cranberry compote; apple purée; crayfish, not live; crustaceans, not live; fish, preserved; fish, not live; salted fish; fermented baked milk; vegetable salads; fruit salads; bacon; sardines, not live; pork; herrings, not live; seeds, prepared; sunflower seeds, prepared; cream [dairy products]; whipped cream; vegetable-based cream; fat-containing mixtures for bread slices; smetana; lemon juice for culinary purposes; tomato juice for cooking; vegetable juices for cooking; salted meats; sausages; sausages in batter; hot dog sausages; preparations for making bouillon; preparations for making soup; nut-based spreads; tripe; soups; vegetable soup preparations; whey; cheese; tajine [prepared meat, fish or vegetable dish]; tahini; tofu; sea-cucumbers, not live; truffles, preserved; tuna, not live; oysters, not live; falafel; milk ferments for culinary purposes; fish fillets; dates; crystallized fruits; frozen fruits; fruit, preserved; fruit preserved in alcohol; fruit, stewed; hazelnuts, prepared; potato flakes; hummus; fruit peel; preserved garlic; lentils, preserved; potato chips; low-fat potato chips; fruit chips; non-alcoholic eggnog; seaweed extracts for food; meat extracts; edible ant larvae, prepared; tofu skin; berries, preserved; eggs; snail eggs for consumption; yakitori.

30 – Vanilla flavorings for culinary purposes; flavorings, other than essential oils, for cakes; flavorings, other than essential oils, for beverages; coffee flavorings; food flavorings, other than essential oils; star aniseed; baozi; cereal bars; high-protein cereal bars; pancakes; noodle-based prepared meals; freeze-dried dishes with the main ingredient being pasta; freeze-dried dishes with the main ingredient being rice; buns; bulgur; bread rolls; edible rice paper; edible paper; burritos; vanillin [vanilla substitute]; waffles; vermicelli; natural sweeteners; sausage binding materials; binding agents for ice cream; sea water for cooking; seaweed [condiment]; malt biscuits; cloves [spice]; mirror icing [mirror glaze]; cake frosting [icing]; glucose for culinary purposes; mustard; croûtons; buckwheat, processed; gluten additives for culinary purposes; yeast; thickening agents for cooking foodstuffs; leaven; rice-based snack food; cereal-based snack food; artificial coffee; vegetal preparations for use as coffee substitutes; dressings for salad; fruit jellies [confectionery]; candy decorations for cakes; confectionery for decorating Christmas trees; cakes; pastries; peanut confectionery; almond confectionery; pasta; ground ginger; frozen yogurt [confectionery ices]; cocoa; cream of tartar for culinary purposes; capers; caramels [sweets]; curry [spice]; ketchup [sauce]; kimchi pancakes; quinoa, processed; quiches; gluten prepared as foodstuff; flour-based dumplings; sweets; li-

quorice [confectionery]; peppermint sweets; mints for breath freshening; dulce de leche; cinnamon [spice]; coffee; unroasted coffee; starch for food; crackers; custard; hominy grits; semolina; oatmeal; crushed barley; groats for human food; ice cubes; corn, milled; corn, roasted; meat pies; turmeric; couscous; noodles; soba noodles; udon noodles; ice for refreshment; ice, natural or artificial; edible ices; rice cakes; potato-based flatbreads; mayonnaise; macarons; macaroni; maltose; hominy; piccalilli; marinades; marzipan; honey; miso; royal jelly; ice cream; bean meal; buckwheat flour; tapioca flour; potato flour; corn flour; nut flours; flour; wheat flour; soya flour; barley meal; dessert mousses [confectionery]; chocolate mousses; museli; mint for confectionery; cocoa beverages with milk; coffee beverages with milk; coffee-based beverages; cocoa-based beverages; chamomile-based beverages; tea-based beverages; chocolate beverages with milk; chocolate-based beverages; infusions, not medicinal; crushed oats; husked oats; savory pancakes; onigiri; nutmegs; chocolate-coated nuts; stick liquorice [confectionery]; pastilles [confectionery]; molasses for food; pâtés en croûte; pelmeni; pepper; allspice; peppers [seasonings]; pesto; cookies; petit-beurre biscuits; bibimbap [rice mixed with vegetables and beef]; pies; pizzas; meat gravies; fondants [confectionery]; popcorn; powders for making ice cream; baking powder; mustard meal; pralines; condiments; meat tenderizers for household purposes; cereal preparations; oat-based food; propolis; gingerbread; spices; petits fours; rice pudding; puddings; cake powder; fruit coulis [sauces]; ravioli; ramen; chewing gum; chewing gum for breath freshening; relish [condiment]; rice; instant rice; wheat germ for human consumption; spring rolls; sago; sugar; palm sugar; sesame seeds [seasonings]; linseed for culinary purposes [seasoning]; processed seeds for use as a seasoning; aniseed; agave syrup [natural sweetener]; golden syrup; confectionery; savory pancake mixes; baking soda [bicarbonate of soda for cooking purposes]; malt for human consumption; cooking salt; salt for preserving foodstuffs; celery salt; sorbets [ices]; ham glaze; cranberry sauce [condiment]; soya sauce; tomato sauce; apple sauce [condiment]; sauces [condiments]; pasta sauce; spaghetti; seasonings; chocolate-based spreads; chocolate spreads containing nuts; preparations for stiffening whipped cream; shaved ice with sweetened red beans; rusks; breadcrumbs; sushi; rice crackers; sandwiches; tabbouleh; tacos; tapioca; tarts; dough; pastry dough; almond paste; rice pulp for culinary purposes; cake dough; tortillas; garden herbs, preserved [seasonings]; chocolate decorations for cakes; vinegar; beer vinegar; ferments for pastes; halvah; bread; unleavened bread; chips [cereal products]; corn flakes; oat flakes; hot dog sandwiches; flowers or leaves for use as tea substitutes; jiaozi; chicory [coffee substitute]; tea; iced tea; chutneys [condiments]; minced garlic [condiment]; cheeseburgers [sandwiches]; chow-chow [condiment]; saffron [seasoning]; choco-

late; malt extract for food; essences for foodstuffs, except etheric essences and essential oils; husked barley.

35 – Arranging subscriptions to telecommunication services for others; import-export agency services; commercial information agency services; advertising agency services; cost price analysis; rental of office equipment in co-working facilities; rental of advertising space; business auditing; financial auditing; business intermediary services relating to the matching of potential private investors with entrepreneurs needing funding; employment agency services; computerized file management; book-keeping; invoicing; demonstration of goods; transcription of communications [office functions]; opinion polling; market studies; providing business information; providing commercial information and advice for consumers in the choice of products and services; business investigations; business research; marketing research; personnel recruitment; business management and organization consultancy; business organization consultancy; business management consultancy; personnel management consultancy; professional business consultancy; consultancy regarding public relations communication strategies; consultancy regarding advertising communication strategies; layout services for advertising purposes; marketing; marketing in the framework of software publishing; targeted marketing; business management of performing artists; business management of sports people; writing of résumés for others; script-writing for advertising purposes; news clipping services; updating and maintenance of information in registries; updating and maintenance of data in computer databases; updating of advertising material; word processing; online retail services for downloadable and pre-recorded music and movies; online retail services for downloadable ring tones; online retail services for downloadable digital music; organization of exhibitions for commercial or advertising purposes; arranging newspaper subscriptions for others; organization of fashion shows for promotional purposes; organization of trade fairs for commercial or advertising purposes; shop window dressing; business appraisals; payroll preparation; data search in computer files for others; sponsorship search; administrative assistance in responding to calls for tenders; business management assistance; commercial or industrial management assistance; commercial intermediation services; providing business information via a web site; providing commercial and business contact information; provision of an online marketplace for buyers and sellers of goods and services; web indexing for commercial or advertising purposes; presentation of goods on communication media, for retail purposes; media relations services; economic forecasting; auctioneering; retail services for works of art provided by art galleries; sales promotion for others; promotion of goods and services through sponsorship of sports events;

production of teleshopping programmes; production of advertising films; office machines and equipment rental; rental of advertising time on communication media; publicity material rental; rental of billboards [advertising boards]; rental of vending machines; rental of sales stands; rental of photocopying machines; publication of publicity texts; radio advertising; billposting; distribution of samples; dissemination of advertising matter; direct mail advertising; registration of written communications and data; writing of publicity texts; advertising; online advertising on a computer network; advertising by mail order; television advertising; compilation of statistics; compilation of information into computer databases; business inquiries; systemization of information into computer databases; advisory services for business management; corporate communications services; negotiation of business contracts for others; negotiation and conclusion of commercial transactions for third parties; compiling indexes of information for commercial or advertising purposes; tax preparation; drawing up of statements of accounts; telemarketing services; psychological testing for the selection of personnel; interim business management; outsourced administrative management for companies; business management of hotels; business management for freelance service providers; business project management services for construction projects; commercial administration of the licensing of the goods and services of others; business management of reimbursement programs for others; administration of consumer loyalty programs; administration of frequent flyer programs; administrative processing of purchase orders; public relations; commercial lobbying services; competitive intelligence services; modelling for advertising or sales promotion; typing; market intelligence services; appointment reminder services [office functions]; web site traffic optimization; tax filing services; search engine optimization for sales promotion; appointment scheduling services [office functions]; gift registry services; price comparison services; pay per click advertising; secretarial services; procurement services for others [purchasing goods and services for other businesses]; shorthand; outsourcing services [business assistance]; telephone answering for unavailable subscribers; photocopying services; business efficiency expert services.

(260) AM 2021 108473 A

(800) 1533226

(151) 2020 03 17

(891) 2020 03 17

(731) KIRMIZI ELMA KIRTASIYE SANAYI VE
TİCARET LİMİTED ŞİRKETİ
İstoç Ticaret Merkezi, Mahmutbey Mah. 18
Ada No:46, Güneşli Bağcılar, İstanbul, Turkey

(540)

RED APPLE

(591) Black, white

(531) 27.05.01

(511)

2 – Paints, varnishes, lacquers; preservatives against rust and against deterioration of wood; colorants, dyes; inks for printing, marking and engraving; raw natural resins; metals in foil and powder form for use in painting, decorating, printing and art.

(260) AM 2021 108475 A

(800) 1533299

(151) 2020 01 18

(891) 2020 01 18

(731) ACULIFE HEALTHCARE PRIVATE
LIMITED

Commerce House-V, Besides Vodafone House,
Prahlanagar Corporate Road, Ahmedabad
380051, Gujarat, India

(540)

Q-ZOLID

(591) Black, white

(531) 27.05.01

(511)

5 – Medicinal and pharmaceutical preparations.

(260) AM 2021 108477 A

(800) 1533439

(151) 2020 05 01

(891) 2020 05 01

(731) Onyxum Inc.

1275 Av Des Canadiens-de-Montréal, Montréal
QC H3B 0G4, Canada

(540)

LEARN TO EARN

(591) Black, white

(511)

41 – Education courses in the field of the travel industry; language training services; publishing of booklets; webinars in the field of teaching languages; webinars in the field of teaching marketing.

(260) AM 2021 108540 A

(800) 1533735

(151) 2020 01 18

(891) 2020 01 18

(731) ACULIFE HEALTHCARE PRIVATE
LIMITED

Commerce House-V, Besides Vodafone House,
Prahlanagar Corporate Road, Ahmedabad
380051, Gujarat, India

(540)

FEVERACH

(591) Black, white
 (531) 27.05.01
 (511)
 5 – Medicinal and pharmaceutical preparations.

(260) AM 2021 108544 A
 (800) 1533905
 (151) 2020 05 01
 (891) 2020 05 01
 (731) Onyxum Inc.
 1275 Av Des Canadiens-de-Montréal, Montréal
 QC H3B 0G4, Canada
 (540)

ONYXUM

(591) Black, white
 (511)
 39 – Arranging of travel tours and cruises; reservation and booking of seats for travel; travel and tour ticket reservation service; travel arrangement.

41 – Education courses in the field of the travel industry; language training services; publishing of booklets; webinars in the field of teaching languages; webinars in the field of teaching marketing; webinars in the field of teaching business.

43 – Booking of hotel accommodation; booking of temporary campground accommodations; hotel information; hotel reservation services provided via the internet; hotel room booking services; providing room reservation and hotel reservation services; providing travel lodging information services and travel lodging booking agency services for travelers; reservation of hotel accommodation; travel agency services for booking hotels; travel agency services for making hotel reservations.

(260) AM 2021 108547 A
 (800) 1533925
 (151) 2020 01 18
 (891) 2020 01 18
 (731) ACULIFE HEALTHCARE PRIVATE
 LIMITED
 Commerce House-V, Besides Vodafone House,
 Prahladnagar Corporate Road, Ahmedabad
 380051, Gujarat, India
 (540)

ACURIN

(591) Black, white
 (531) 27.05.01; 27.05.17
 (511)
 5 – Medicinal and pharmaceutical preparations.

(260) AM 2021 108549 A
 (800) 1533958
 (151) 2020 03 17
 (891) 2020 03 17
 (731) Closed joint-stock company, "Igristie Vina"
 Sverdlovskaya naberezhnaya, 34, RU-195027
 Saint-Petersburg, Russian Federation
 (540)

Master's Heritage Lev Golitsin

(591) Black, white
 (511)
 33 – Aperitifs; arak; brandy; wine; piquette; whiskey; vodka; gin; cocktails; liqueurs; alcoholic beverages containing fruit; distilled beverages; peppermint liqueurs; bitters; rum; sake; cider; rice alcohol; alcoholic extracts; fruit extracts, alcoholic.

(260) AM 2021 108621 A
 (800) 1534743
 (151) 2020 04 02
 (891) 2020 04 02
 (731) CHISON Medical Technologies Co., Ltd.
 No.228, Changjiang East Road, Block 51 and
 53, Phase 5, Shuofang Industrial Park, Xinwu
 District, Wuxi, 214142 Jiangsu, China
 (540)

SonoEye

(591) Black, white
 (531) 27.05.01
 (511)
 10 – Medical apparatus and instruments; medical ultrasound apparatus; ultrasonic medical diagnostic apparatus; testing apparatus for medical purposes; galvanic therapeutic appliances; radiological apparatus for medical purposes; beds specially made for medical purposes; flexible medical endoscopes; intraocular lenses; orthopaedic articles.

(260) AM 2021 108622 A
 (800) 1534753
 (151) 2019 12 24
 (891) 2019 12 24
 (731) CK KOZMETİK SANAYİ DİŞ TİCARET
 ANONİM ŞİRKETİ
 Mahmutbey Mh.2438.Sok.No.99, Bağcılar,
 İSTANBUL, Turkey

(540)



(591) Black, white

(531) 26.01.18; 26.01.22; 27.05.01

(526) ®

(511)

3 – Bleaching and cleaning preparations, detergents other than for use in manufacturing operations and for medical purposes, laundry bleach, fabric softeners for laundry use, stain removers, dishwasher detergents, perfumery, non-medicated cosmetics, fragrances, deodorants for personal use and animals, soaps, dental care preparations, dentifrices, denture polishes, tooth whitening preparations, mouth washes, not for medical purposes, abrasive preparations, emery cloth, sandpaper, pumice stone, abrasive pastes, polishing preparations for leather, vinyl, metal and wood, polishes and creams for leather, vinyl, metal and wood, wax for polishing.

(260) AM 2021 108623 A

(800) 1534788

(151) 2020 03 17

(891) 2020 03 17

(731) Koninklijke Douwe Egberts B.V.

Oosterdoksstraat 80, NL-1011 DK Amsterdam,
Netherlands

(540)

ICEPRESSO

(591) Black, white

(511)

30 – Coffee; coffee-based beverages.

(260) AM 2021 108624 A

(800) 1534809

(151) 2020 01 13

(891) 2020 01 13

(731) AFTERSHOKZ, LLC

1801 Burnet Avenue, Suite 102, Syracuse
NY 13206, USA

(540)



(591) Black, white

(531) 26.11.22; 27.05.09

(511)

9 – 3D spectacles; anti-glare glasses; cabinets for loudspeakers; ear plugs for divers; headphones; encoded identification bracelets, magnetic; eyeglass frames; eyeglasses; gesture recognition software; hands-free kits for phones; headphones; headsets for telephones; headsets for use with computers; headsets for mobile telephones; optical character recognition apparatus; portable media players; smartglasses; smartwatches; virtual reality headsets; wearable activity trackers; wireless headsets for use with cellular phones; wireless headsets for smartphones.

(260) AM 2021 108625 A

(800) 1534849

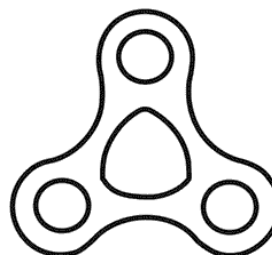
(151) 2020 05 11

(891) 2020 05 11

(731) Guangdong Breath Walker Health Technology Co., Ltd

Room 1401, No.45 East Houjie Avenue, Houjie
Town, Dongguan City, Guangdong Province,
China

(540)



(591) Black, white

(531) 21.01.25; 26.07.25; 26.13.25

(511)

25 – Clothing; sandals; shoes; sports shoes; caps being headwear; hosiery; scarves; belts [clothing].

(260) AM 2021 108626 A

(800) 1534850

(151) 2020 05 11

(891) 2020 05 11

(731) Pharming Intellectual Property B.V.

Darwinweg 24, NL-2333 CR Leiden,
Netherlands

(540)



(591) Different shades of blue

(531) 26.04.01; 26.04.03; 26.04.05; 26.11.02;
26.11.05; 26.11.06; 26.11.13; 29.01.04

(511)
5 – Pharmaceutical products.

(260) AM 2021 108627 A
(800) 1534861
(151) 2020 05 11
(891) 2020 05 11
(731) Guangdong Breath Walker Health Technology Co., Ltd
Room 1401, No.45 East Houjie Avenue, Houjie Town, Dongguan City, Guangdong Province, China

(540)
足行健

(591) Black, white
(531) 28.03
(511)
25 – Clothing; sandals; shoes; sports shoes; caps being headwear; hosiery; scarves; belts [clothing].

(260) AM 2021 108628 A
(800) 1534892
(151) 2020 05 11
(891) 2020 05 11
(731) ZHEJIANG REFINE WUFU AIR TOOLS CO., LTD.
100 Fugang Road, Shangma Ind. Zone, Shitang Town, Wenling, Zhejiang, China

(540)
PORTA

(591) Black, white
(531) 27.05.17
(511)
7 – Spray-paint guns; spray-paint machines; lubricating pumps; gas separating equipment; hydraulic handiwork tools; glue guns, electric; hand-held tools, other than hand-operated; air-operated staple guns; pumps being machines; valves being parts of machines; nozzles of spray-paint guns; pneumatic conveyors; wind-powered hand tools; shaft couplings being machines; painting machines; regulating valves.

(260) AM 2021 108629 A
(800) 1534965
(151) 2020 03 13
(891) 2020 03 13
(731) AGORDAT S.R.L.S.
SS 11 Padana Superiore, 18, I-20063 CERNUSCO SUL NAVIGLIO (MI), Italy

(540)

**Ba
con**

(591) Black, white
(531) 27.05.01
(511)
18 – Imitation leather; bags; handbags; handbag frames; rucksacks; trunks [luggage]; suitcases; travelling bags; pocket wallets; credit card cases [wallets]; card cases [notecases]; attaché cases; bags for sports; beach bags; parasols; umbrellas; travelling trunks; suitcases with wheels; vanity cases, not fitted.

25 – Clothing; tee-shirts; hosiery; sweaters; pullovers; shirts; trousers; skirts; overcoats; dresses; jackets [clothing]; coats; pelerines; shawls; scarves; neckties; bathing suits; underwear; hats; footwear; sports singlets; ponchos; belts [clothing]; stockings.

(260) AM 2021 108630 A
(800) 1535071
(151) 2019 12 26
(891) 2019 12 26
(731) Vybor-OB D LLC
Vladimira Nevskogo St., 19, office 5, Voronezh, RU-394088 Voronezhskaya oblast, Russian Federation

(540)



Formator

(591) Black, light golden, golden
(531) 26.04.01; 26.04.05; 26.04.07; 26.15.11; 29.01.12

(526) All elements.

(511)
19 – Beams, not of metal; girders, not of metal; concrete; prefabricated houses [kits], not of metal; framework, not of metal; buildings, not of metal, namely volumetric building blocks; stringers [parts of staircases], not of metal; building materials, not of metal; wainscoting, not of metal; building panels, not of metal; partitions, not of metal; lintels, not of metal; casement windows, not of metal; cement slabs; tile floorings, not of metal; slabs, not of metal, for building; cement; clinker ballast; concrete building elements.

35 – Sale of the claimed goods (terms too vague in the opinion of the International Bureau – Rule 13 (2) (b) of the Regulations).

37 – Construction; building construction supervision; paper hanging; wallpapering; painting, interior and exterior; carpentry services; plastering; quarrying services; installation of doors and windows; elevator installation and repair; lift installation and repair; heating equipment installation and repair.

40 – Welding services.

(260) AM 2021 108631 A

(800) 1535107

(151) 2019 12 13

(891) 2019 12 13

(731) MKP SÜT ÜRÜNLERİ SAN. VE TİC. A. Ş.

Atariye Mah. Kaldırım Başı Oğlaktepe, Mevkii
Km. Evl. A Blok İdari Bina No: 85/1,
Mustafakemalpaşa, Bursa, Turkey

(540)



CASARI

(591) Black

(531) 07.01.08; 27.05.02

(511)

29 – Milk products; albumin milk, peanut milk, powdered milk, rice milk, soya milk, almond milk, coconut milk, butter, condensed milk, milk, oat milk; vegetables, tinned; vegetables, preserved; vegetables, dried; vegetables, cooked; fruit, preserved; fruit, stewed; fruits, tinned; freeze-dried vegetables; frozen fruits; tomato paste.

32 – Energy drinks; protein-enriched sports beverages.

35 – The bringing together, for the benefit of others, of a variety of goods, namely, milk products, albumin milk, peanut milk, powdered milk, rice milk, soya milk, almond milk, coconut milk, butter, condensed milk, milk, oat milk, vegetables, tinned, vegetables, preserved, vegetables, dried, vegetables, cooked, tomato paste, energy drinks, protein-enriched sports beverages, enabling customers to conveniently view and purchase those goods, such services may be provided by retail stores, wholesale outlets, by means of electronic media or through mail order catalogues.

43 – Food and drink catering.

(260) AM 2021 108642 A

(800) 1535445

(151) 2020 04 23

(891) 2020 04 23

(731) Serumwerk Bernburg AG

Hallesche Landstraße 105 b, 06406 Bernburg,
Germany

(540)

Pyolysin

(591) Black, white

(511)

3 – Non-medicated cosmetics and toiletry preparations; toiletries; animal grooming preparations.

5 – Medical and veterinary preparations; pharmaceuticals and natural remedies; sanitary preparations and articles; disinfectants and antiseptics.

(260) AM 2021 108653 A

(800) 1113725

(151) 2011 12 05

(891) 2020 04 27

(731) Valery Trofimovich Onya

kv. 249, Svyazistov St. 2, Nemchinovka
Village, Odintsovo District, RU-143025
Moscow Region, Russian Federation

(540)



(591) Red; white; blue

(531) 26.03.05; 26.03.24; 27.07.17; 28.05; 29.01.13

(511)

29 – Meat, fish, poultry and game; meat extracts; preserved, frozen, dried and cooked fruits and vegetables; jellies, jams, compotes; eggs, milk and milk products; edible oils and fats; alginates for food; anchovy; peanuts, processed; albumen for food; white of eggs; beans, preserved; soya beans, preserved, for food; bouillon; broth; ginger jam; fatty substances for the manufacture of edible fats; edible birds' nests; peas, preserved; mushrooms, preserved; gelatine for food; meat jellies; jellies for food; fruit jellies; yolk of eggs; coconut fat; bone oil, edible; lard for food; suet for food; edible fats; charcuterie; sausages; raisins; caviar; casein for food; sauerkraut; isinglass for food; black pudding [blood sausage]; meat, tinned [canned (am.)]; vegetables, tinned [canned (am.)]; fish, tinned [canned (am.)]; fruits, tinned [canned (am.)]; bouillon concentrates; broth concentrates; gherkins; prawns [not live]; shrimps [not live]; buttercream; croquettes; silkworm chrysalis, for human consumption; spiny lobsters [not live]; salmon; onions, preserved; margarine; piccalilli; marmalade; coconut oil; colza oil for food; corn oil; edible oils; maize oil; olive oil for food; palm kernel oil for food; palm oil for food; rape oil for food; sesame oil; sunflower oil for food; peanut butter; chocolate nut butter; cocoa butter; coconut bu-

tter; butter; mussels [not live]; almonds, ground; animal marrow for food; clams [not live]; shellfish [not live]; fishmeal for human consumption; fruit pulp; meat; meat, preserved; potato fritters; olives, preserved; lobsters [not live]; coconut, desiccated; nuts, prepared; tomato purée; liver pastes; pectin for food; liver; pickles; jams; powdered eggs; ham; food products made from fish; foods prepared from fish; salted fish; protein for human consumption; poultry, not live; pollen prepared as foodstuff; cranberry sauce [compote]; apple purée; crayfish [not live]; crustaceans [not live]; fish [not live]; fish, preserved; vegetable salads; fruit salads; bacon; sardines; pork; herrings; whipped cream; fat-containing mixtures for bread slices; tomato juice for cooking; vegetable juices for cooking; salted meats; sausages in batter; preparations for making bouillon; preparations for making soup; tripe; soups; vegetable soup preparations; cheese; tahini [sesame seed paste]; tofu; sea-cucumbers [not live]; truffles, preserved; tuna fish; oysters [not live]; rennet; fish fillets; dates; crystallized fruits; frosted fruits; frozen fruits; fruit preserved in alcohol; potato flakes; hummus [chickpea paste]; fruit peel; lentils, preserved; potato chips; potato crisps; fruit chips; weed extracts for food; snail eggs [for consumption]; fruit-based snack food; toasted laver; soya milk [milk substitute]; fermented vegetable foods [kimchi]; bullhead fish; pink salmon; salmon caviar, preserved; herring roe, preserved; cod roe, preserved; squid; squid's arms; prussian carp; carp; sprat; Alaska pollock [walleye pollack]; krill meat; red salmon; sprats pâté; smoked sprats; pollock liver; cod liver; fish stew canned; salad from sea cabbage; Baltic herring; sardine-lla; European carp; saury; jack mackerel [horse mackerel]; silver carp; sardelle; fish balls; fish frikadelle.

30 – Flour and preparations made from cereals, bread, pastry and confectionery, ices; honey, treacle; yeast, baking-powder; salt, mustard; vinegar, sauces (condiments); spices; ice; aromatic preparations for food; flavorings [flavourings], other than essential oils, for beverages; flavorings [flavourings], other than essential oils, for cakes; flavorings, other than essential oils; star aniseed; cookies; pancakes; buns; bread rolls; vanillin [vanilla substitute]; vanilla [flavoring] [flavouring]; waffles; vermicelli [noodles]; coffee flavorings [flavourings]; natural sweeteners; sausage binding materials; binding agents for ice cream [edible ices]; sea water [for cooking]; glucose for food; thickening agents for cooking foodstuffs; artificial coffee; vegetal preparations for use as coffee substitutes; confectionery for decorating christmas trees; cakes; almond confectionery; farinaceous food pastes; macaroni; pasta; pâté [pastries]; frozen yoghurt [confectionery ices]; cocoa; cocoa products; capers; caramels [candy]; gruel, with a milk base, for food; quiches; gluten for food; sweetmeats [candy]; liquorice [confectionery]; stick liquorice [confectionery]; peppermint sweets; coffee; unroasted coffee; starch for food;

crackers; crushed barley; groats for human food; husked barley; sago; semolina; corn [milled]; maize [milled]; corn [roasted]; maize [roasted]; meat pies; turmeric for food; couscous [semolina]; farinaceous foods; noodles; ribbon vermicelli; ice for refreshment; ice, natural or artificial; edible ices; candy for food; rice cakes; maltose; marzipan; custard; royal jelly for human consumption [not for medical purposes]; ice cream; sherbets [ices]; sorbets [ices]; muesli; mint for confectionery; cocoa beverages with milk; coffee beverages with milk; coffee-based beverages; tea-based beverages; chocolate beverages with milk; chocolate-based beverages; cocoa-based beverages; infusions, not medicinal; crushed oats; husked oats; nutmegs; lozenges [confectionery]; pastilles [confectionery]; golden syrup; molasses for food; pepper; petits fours [cakes]; biscuits; macarons [pastry]; malt biscuits; petit-beurre biscuits; pies; pizzas; fondants [confectionery]; popcorn; powder for edible ices; powders for ice cream; pralines; chow-chow [condiment]; chutneys [condiments]; condiments; dressings for salad; ketchup [sauce]; mayonnaise; meat gravies; relish [condiment]; sauces [condiments]; soya sauce; tomato sauce; weeds [condiment]; meat tenderizers, for household purposes; flour-milling products; oat-based food; bee glue [propolis] for human consumption; propolis [bee glue] for human consumption; gingerbread; allspice; cinnamon [spice]; cloves [spice]; curry [spice]; ginger [spice]; puddings; cake powder; ravioli; chewing gum, not for medical purposes; rice; spring rolls; sugar; aniseed; cake paste; pastry; confectionery; sugar confectionery; malt for human consumption; salt for preserving foodstuffs; cooking salt; celery salt; spaghetti; peppers [seasonings]; saffron [seasoning]; seasonings; preparations for stiffening whipped cream; rusks; breadcrumbs; sushi; sandwiches; yeast in pill form, not for medical use; tacos; tapioca; almond paste; tortillas; tarts; edible decorations for cakes; beer vinegar; vinegar; ferments for pastes; leaven; yeast; halvah; bread; unleavened bread; chips [cereal products]; corn flakes; maize flakes; oat flakes; chicory [coffee substitute]; tea; iced tea; chocolate; malt extract for food; essences for foodstuffs [except etheric essences and essential oils]; rice-based snack food; cereal-based snack food; fruit jellies [confectionery]; hominy grits; hominy; baking soda [bicarbonate of soda for cooking purposes]; tabbouleh; soya bean paste [condiment]; garden herbs, preserved [seasonings].

(260) AM 2021 108655 A

(800) 1478445

(151) 2019 02 26

(891) 2020 05 11

(731) EASTERN TIMES TECHNOLOGY CO., LTD.
BUILDING D, NAN AN INDUSTRIAL
AREA, YOUNG VILLAGE,
FENGGANG TOWN, DONGGUAN CITY,
100080 GUANGDONG, China

(540)

**T-DAGGER**

(591) Black, white

(531) 24.01.13; 24.17.01; 26.13.25; 27.05.01

(511)

9 – Data processing apparatus; computer memory devices; computer keyboards; readers [data processing equipment]; bar code readers; computer peripheral devices; central processing units [processors]; couplers [data processing equipment]; mouse [computer peripheral]; mouse pads; earphones; cabinets for loudspeakers.

28 – Games; apparatus for games; controllers for game consoles; mouse for games; joysticks for video games; toys; balls for games; body-building apparatus.

35 – Advertising; commercial administration of the licensing of the goods and services of others; import-export agency services; provision of an online marketplace for buyers and sellers of goods and services; marketing; business management and organization consultancy; presentation of goods on communication media, for retail purposes; online advertising on a computer network; providing business information via a web site; personnel management consultancy.

(260) AM 2021 108702 A

(800) 1535957

(151) 2020 04 21

(891) 2020 04 21

(731) Midea Group Co., Ltd.

B26-28F, Midea Headquarter Building, No.6

Midea Avenue, Beijiao, Shunde, Foshan,

Guangdong, China

(540)

MIDEA

(591) Black, white

(531) 27.05.01

(511)

14 – Precious metals, unwrought or semi-wrought; presentation boxes for jewellery; tie clips; key rings [split rings with trinket or decorative fob]; key chains [split rings with trinket or decorative fob]; retractable key rings; retractable key chains; precious stones; jewellery findings; wristwatches; clocks and watches, electric.

16 – Paper; carbon paper; tablemats of paper; stickers [stationery]; bookmarks; greeting cards; figurines of

papier mâché; posters; magazines [periodicals]; pictures; folders for papers; ink; stamps [seals]; pens [office requisites]; gummed tape [stationery]; drawing instruments; drawing boards; duplicators; architects' models; advertisement boards of paper or cardboard; pads [stationery]; note books; albums; pamphlets; calendars; postcards.

18 – Handbags; bags; trunks [luggage]; leather cord; business card cases; key cases; backpacks; imitation leather; kid; umbrellas; canes; leather thongs; clothing for pets.

20 – Sleeping mats; pillows; furniture; picture frames; containers, not of metal [storage, transport]; fans for personal use, non-electric; signboards of wood or plastic; furniture fittings, not of metal; decorations of plastic for foodstuffs; works of art of wood, wax, plaster or plastic; window fittings, not of metal; mirrors [looking glasses]; bolsters; kennels for household pets; coffins; identification bracelets, not of metal; door bells, not of metal, non-electric; curtain rails; work benches.

21 – Pressure cookers, non-electric; heaters for feeding bottles, non-electric; earthenware saucepans; coffee pots, non-electric; ironing boards; flat-iron stands; toothbrushes, electric; insulating flasks; heat-insulated containers; carpet sweepers; porcelain ware; china ornaments; statues of porcelain, ceramic, earthenware, terra-cotta or glass; tea services [tableware]; liqueur sets; coffee services [tableware]; boxes for dispensing paper towels; coin banks; combs; scrubbing brushes; toothpicks; cosmetic utensils; fitted vanity cases; crystal [glassware]; bird baths; indoor aquaria; kitchen containers; frying pans; containers for household or kitchen use; jugs; cooking pots; cookery molds; stewpans; griddles [cooking utensils]; scoops for household purposes; kitchen utensils; pot lids; blenders, non-electric, for household purposes; autoclaves, non-electric, for cooking.

24 – Sheets [textile]; pillowcases; chenille fabric; household linen; bed covers; banners of textile or plastic; cloth; non-woven textile fabrics; felt; door curtains; tapestry [wall hangings], of textile; towels of textile; fitted toilet lid covers of fabric; fabric.

25 – Slippers; clothing; short-sleeve shirts; shoes; shower caps; caps being headwear; girdles; hosiery; sports jerseys; layettes [clothing]; bathing suits; gloves [clothing]; scarfs; sleep masks.

28 – Archery implements; machines for physical exercises; hunting game calls; swimming pools [play articles]; roller skates; ornaments for Christmas trees, except lights, candles and confectionery; fishing tackle; twirling batons; scratch cards for playing lottery games; games; dolls; building blocks [toys]; toys; playing cards; balls for games; body rehabilitation apparatus; teddy bears.

(260) AM 2021 108704 A
 (800) 1536039
 (151) 2020 04 16
 (891) 2020 04 16
 (731) CAFFE' CARRARO S.P.A.
 20, Via Lago di Pusiano, I-36015 SCHIO
 (Vicenza), Italy
 (540)



(591) Black, white
 (531) 01.15.05; 01.15.09; 01.15.11; 27.05.01;
 27.05.01; 27.05.10; 27.05.21; 27.07.01;
 27.07.01
 (511)
 30 – Coffee, cocoa, tea and their substitutes; sugar.

(260) AM 2021 108705 A
 (800) 1536065
 (151) 2019 12 16
 (891) 2019 12 16
 (731) Paulaner Brauerei Gruppe GmbH & Co.
 KgaA
 Ohlmüllerstraße 42, 81541 München,
 Germany
 (540)



(591) Red, blue, white and gold
 (531) 02.01.01; 02.01.03; 24.03.07; 26.01.14;
 27.01.12; 29.01.14
 (511)
 32 – Beer and brewery products; aerated water; non-
 alcoholic beverages; mineral water [beverages]; jui-
 ces; fruit juice beverages; non-alcoholic preparations
 for making beverages; syrups for making beverages.
 43 – Services for providing food and drink; providing
 temporary accommodation.

(260) AM 2021 108712 A
 (800) 1536214
 (151) 2020 02 17
 (891) 2020 02 17
 (731) YUXINOU (CHONGQING) SUPPLY CHAIN
 MANAGEMENT CO.
 604, No. 1-39, Western Logistics Center,
 Chongqing Road, Transportation (Group) Co.,
 Ltd, Western Modern Logistics Park, Shapingba
 District, Chongqing (China), China

(540)
YUXINOU

(591) Black, white
 (531) 27.05.01; 27.05.17
 (511)
 3 – Cakes of toilet soap; polishing preparations; es-
 sential oils; cosmetics; dentifrices; potpourris [frag-
 rances]; air fragrancing preparations.
 21 – Cups of paper or plastic; glasses [receptacles];
 porcelain ware; tea services [tableware]; boxes for
 dispensing paper towels; combs; toothbrushes; cosme-
 tic utensils; isothermic bags.
 29 – Meat; fish-based foodstuffs; fruits, tinned; eggs;
 pickled vegetables; milk products; oils for food.
 30 – Coffee; tea-based beverages; candy; honey; pas-
 tries; condiments; wheat flour; cereal preparations;
 tea; sugar; noodles; cereal-based snack food; rice; ba-
 king soda [bicarbonate of soda for cooking purposes];
 aromatic preparations for food; meat tenderizers for
 household purposes.
 31 – Christmas trees; garden herbs, fresh; poultry, li-
 ve; fruit, fresh; vegetables, fresh; seeds for planting;
 pet food; wheat; aromatic sand [litter] for pets.
 32 – Beer; mineral water [beverages]; non-alcoholic
 beverages.
 33 – Baijiu [Chinese distilled alcoholic beverage];
 fruit extracts, alcoholic; aperitifs; spirits [beverages];
 alcoholic beverages containing fruit; sake; rice alco-
 hol; wine; vodka; whisky.
 43 – Hotel services; canteen services; accommodation
 bureau services [hotels, boarding houses]; café servi-
 ces; information and advice in relation to the prepa-
 ration of meals; bar services; providing campground
 facilities; rental of cooking apparatus.
 45 – Clothing rental; online social networking servi-
 ces; rental of fire extinguishers; lost property return;
 planning and arranging of wedding ceremonies; inte-
 llectual property consultancy; escorting in society
 [chaperoning].

(260) AM 2021 108716 A

(800) 1536309

(151) 2019 12 09

(891) 2019 12 09

(731) Vodafone Group Plc

Vodafone House, The Connection, Newbury,
Berkshire RG14 2FN, United Kingdom

(540)

VODAFONE

(591) Black, white

(511)

9 – Scientific, nautical, surveying, photographic, cinematographic, optical, weighing, measuring, signalling, checking [supervision], life-saving and teaching apparatus and instruments; apparatus and instruments for conducting, switching, transforming, accumulating, regulating or controlling electricity; apparatus for recording, transmission or reproduction of sound or images; magnetic data carriers, recording discs; compact discs, DVDs and other digital recording media; mechanisms for coin-operated apparatus; cash registers, calculating machines, data processing equipment, computers; computer software; telecommunications, telephonic and communications apparatus and instruments; radio telephones, mobile and fixed telephones; mobile phones; portable telecommunications apparatus; smartphones; cases for telephones; headsets for telephones; handheld, mobile and tablet computers; wearable electronic telecommunication and computing devices; data communication apparatus and instruments; digital voice signal processors; computer networking and data communications equipment; mobile data communications apparatus; data processing systems; electronic databases; digital telephone platforms and software; computer hardware for telecommunications; telecommunication networks hardware; modems; network routers; broadband data interconnecting computer installations; decoders; set-top box apparatus including apparatus having an interactive viewing guide and/or a recorder for recording television and audio programmes; electrical and electronic apparatus for use in the reception of satellite, terrestrial or cable broadcasts; apparatus and instruments for the processing, transmission, storage, logging, reception and retrieval of data being in the form of encoded data, text, audio, graphic images or video or a combination of these formats; wireless handheld telecommunication units and devices, namely, tablets, wireless phones, mobile phones, smart phones, computers, portable telephones, video telephones, radios, smart watches, USB dongles, GPS trackers, wearable activity trackers, video cameras, cameras, personal digital assistants, handheld, mobile and tablet computers for the synchronisation, transmission, recordal, storage and manipulation of data and/or voice; remote controls for electric and electronic devices; personal digital assistants; electronic sensors including pedometers, altimeters and weighing scales; barcode and

quick response code readers and scanners; audio and video recordings; electronic media for storing information, data, images and sound; digital media content (downloadable), including films, television programmes, radio programmes, videos, images, music, text, data, images, graphics and ringtones, provided from a computer database, the internet or other electronic network; satellite receiving and transmission apparatus and instruments; computer and video game software programs, including downloadable game programs; electronic publications (downloadable) provided online from computer databases, the internet or other electronic networks; machine readable data carriers; downloadable digital audio, video and data provided from a computer database, or the internet or other electronic network; battery chargers for use with telecommunications apparatus; batteries; battery backup power supply; peripheral equipment for televisions and computers; computers including laptop and notebook computers; electronic personal organisers; electronic and satellite navigational and positional apparatus and instruments including global positioning systems; desk or car mounted units incorporating a loud speaker which permits hands-free use of a telephone handset; in-car telephone handset cradles; teaching apparatus and instruments; metering apparatus; smart meters; blank and pre-recorded magnetic cards; cards containing microprocessors; telephone cards; encoded credit, debit and payment cards; encoded telephone credit cards; encoded cards; computer software, including computer software supplied from a computer database, the internet or other electronic network; data communications software; application software, including application software for mobile devices; downloadable computer software applications; computer software for wireless data communication; computer software and application software for the synchronisation, transmission and sharing of voice, data, calendar and content between one or more electronic devices, for purchasing applications, handheld electronic devices and for secure, encrypted purchases; operating system software; computer software for the streaming transmission and encryption and storage, of audio, video, graphics, text and data on and over communication networks; computer software to enable peer-to-peer networking and file sharing; search engine software; computer software for conducting and co-ordinating communications among computer users sharing information and audio data via electronic communications networks; software for interactive televisions; image and video editing software including software applications for use on mobile devices; software for the identification of persons; software for access control, video control and detecting the presence of persons; software for computer security, including antivirus, firewalls, antispam, anti-spyware, web filtering; intrusion detection software; virtual private network software; computer software for receiving, processing, transmitting and displaying in-

formation relating to fitness, body fat, body mass index, sleep patterns, locations, attitude, weather and temperature; computer software for managing information regarding tracking, compliance and motivation with a health and fitness program; anti-theft devices not for vehicles; distance sensors being anti-collision sensors for vehicles, other than vehicle parts; devices and apparatus for locating movable property; apparatus for sending and receiving information from movable property; devices and apparatus for remote control of electrical apparatus and household appliances; alarm devices and installations, other than vehicle parts; satellite location and navigation systems; systems for the downloading and updating of computer software to and from electronic apparatus; electronic and biometric apparatus and installations for access control; electronic apparatus for identifying persons; closed circuit television systems; cameras, television cameras and video recorders for closed-circuit television; optical and photographic apparatus; electronic speedometers; electronic odometers; electronic tachometers; speed checking apparatus for vehicles; kilometre recorders for vehicles; electric or electronic sensors for vehicles, other than vehicle parts; electronic sensors; sirens; electric locks for vehicles; remote control apparatus; electronic keys for vehicles; electronic keyless remote controls for vehicle access devices; remote controls for starters of vehicles; remote control systems for the automatic operating of the locks of vehicle doors, boot, bonnet and roof; communication apparatus integrated into motorcycle helmets; GPS apparatus; GPS apparatus for vehicles for determining or signalling vehicle location, locations of site, travel routes, time, traffic conditions, presence of emergency vehicles and hazard conditions; systems for communication networks between vehicles and road infrastructures; electronic equipment for detecting road markings; vehicle teleguidance systems and instruments; computer monitoring systems for blind spot and lane changing assistance; vehicle on-board computers; on-board electric, electronic and optical equipment for vehicles, namely, electric batteries, mileage recorders, radios for vehicles, on-board cameras, on-board electronic systems for providing driving and parking assistance in land vehicles, cruise controls for vehicles, displays for vehicles, audio speaker systems for vehicles, automatic indicators of low pressure in vehicle tyres, automatic vehicle speed control devices, autonomous driving control systems for vehicles, including for land vehicles; on-board electric, electronic and optical equipment for vehicles, including land vehicles, namely vehicle automatic driving control devices, smartphone battery chargers for use in vehicles, communications apparatus for vehicles, mobile phone connectors for vehicles, multi-camera systems for vehicles, vehicle navigation systems featuring interactive displays, radios for vehicles, temperature control apparatus [thermostats] for vehicles; on-board electric, electronic and

optical equipment for vehicles, including land vehicles, namely ultrasonic object detectors for use on vehicles, on-board vehicle tracking apparatus, black boxes (data recorders) for land vehicles; on-board diagnostic computer apparatus and remote-controlled diagnostic computer apparatus for vehicles; computer systems for the downloading and updating of computer software to and from vehicles; electronic devices to detect and/or exchange data between a vehicle and a remote unit for security purposes; parking aids in the nature of electronic obstacle detection device sensors; parking assistance, namely, blind spot detection sensors; electronic apparatus for the control of car parking; pre-collision detection and collision avoidance systems, namely, on-board computers; in-vehicle touch screen computer systems; devices for remote location of vehicles; smart watchbands that communicate data to smartphones; downloadable software for promotional and demonstration purposes, for customised display screens on telecommunications apparatus; sim cards; telematics apparatus; telematics software; haptic sensors; haptic equipment and apparatus, namely tactile monitors, screens, electronic displays, switches, sensors, smart glasses and virtual or augmented reality glasses and headsets and holographic projectors; software for use with haptic sensors, equipment and apparatus; virtual reality software and hardware; augmented reality software and hardware; computer hardware modules for use with the Internet of Things [IoT]; computer hardware modules for use in electronic devices using the Internet of Things [IoT]; software for use in implementing the Internet of Things [IoT]; computer software and application software for connecting, operating, and managing networked devices, appliances, machinery and systems in the Internet of Things (IoT); communications software; computer software and application software for secure, encrypted purchases; software for computer security, including antivirus, firewalls, antispam, anti-spyware, web filtering and intrusion detection software; customer support and customer service computer software and application software; voice command and recognition software, speech to text conversion software, and voice-enabled software applications; messaging software; personal assistant software; computer software for personal information management; computer software for use to connect and control Internet of Things (IoT) electronic devices; chatbot computer software and application software; computer software and application software in the field of artificial intelligence (AI); artificially intelligent chatbot computer software and application software for providing customer support and customer services; customer service chat robot software; humanoid robots with artificial intelligence; electronic apparatus incorporating artificial intelligence software; electronic controllers; electronic controllers to impart sensory feedback, namely, sounds and vibrations that are perceptible to the user; computer software for use in

connection with the transmission of voice and data; computer software, and peripherals for personalised, interactive television (TV) programming and for use in displaying and manipulating visual media, graphic images, text, photographs, illustrations, digital animation, video clips, film footage and audio data, and for social networking; wireless controllers to monitor and control the functioning of other electronic devices; touchscreens; parental control software; communication network apparatus; networking apparatus; networking devices; e-commerce software; watches that communicate data to smartphones, namely smartwatches; safety devices for vehicles, namely, parts and fittings for vehicles for use as part of collision avoidance safety systems; devices for remote location of vehicles; collision avoidance safety systems for vehicles; steering apparatus, automatic, for vehicles; ethernet routers; wide area network [WAN] routers; wireless routers; computer network routers; computer network hubs, switches and routers; network servers; communications servers [computer hardware]; network access server hardware; ethernet adapters; ethernet cables; ethernet controllers; ethernet switches; ethernet transceivers; switches, electric; automatic switching apparatus for telecommunications; computer network switches; electronic encryption units; downloadable computer software for use in electronically trading, storing, sending, receiving, accepting, and transmitting digital currency, and managing digital currency payment and exchange transactions; interactive computer software and computer hardware for providing financial services online from a global computer network and the internet via computer terminals and mobile communication devices; electronic and computer databases, namely, asset databases that can be shared and transmitted.

38 – Telecommunications; mobile and fixed telecommunication and telephone, satellite telecommunication, cellular telecommunication, radio and cellular telephone, radio facsimile, radio paging and radio communication services; voice transmission services; voice messaging and voicemail services; electronic mail services for data and voice; hire, leasing and rental of telecommunications, radio, radio telephone and radio facsimile apparatus; rental of telecommunication facilities; leasing of telephone circuits; communication of data by radio, telecommunications and by satellite; transmission and receiving by radio; communications services by satellite, television and/or radio; communication services in the nature of transmission and reception of voice; voice over IP services; telecommunication services via a global computer network or the Internet; telephone and mobile telephone message collection and transmission; delivery and reception of sound data and images; telephone communication services provided for hotlines and call centres; automated telephone call screening services; automated telephone voice message services; telephone communica-

tion services in the nature of automatic telephone answering services; personal numbering services (telephony services); rental of replacement telecommunications apparatus in the case of breakdown, loss or theft; provision of Internet services, namely Internet access services; Internet service provider (ISP) services; telecommunication of information (including web pages), computer programs and any other data; electronic mail services; provision of broadband services, namely wireless and fibre optic broadband communication services; wireless broadband communication services; providing Internet access via wireless broadband networks; providing Internet access via optical fibre broadband networks; wireless communication services; wireless telephony services; digital network telecommunications services; providing access to portals on the Internet; telecommunication services provided via Internet portal; provision of location based telecommunications services for telecommunications apparatus; provision of transfer of data via wireless application protocols [WAP], including those utilising a secure communications channel; provision of telecommunications information relating to or identifying telephone and telecommunications apparatus and instruments; telecommunications routing and junction services; electronic data interchange services; transfer of data by telecommunications; data streaming; streaming of digital media content, including films, television programmes, radio programmes, videos, music, text, data, images, graphics and ringtones, via the Internet or a telecommunications network; delivery of digital media content, including films, television programmes, radio programmes, videos, music, text, data, images, graphics and ringtones, via the Internet or a telecommunications network; data transmission services; broadcasting services; data broadcasting services; broadcast or transmission of radio or television programmes; transmission of digital audio, video and multimedia content by telecommunications; electronic transmission of audio and video files via computer and other electronic communications networks; transmission of news and current affairs information; delivery of digital music by telecommunications; providing access to social networking websites; telecommunication services for the provision of video text, telexes and view data services, video communication services, interactive video text services; messaging services, namely, sending, receiving and forwarding messages in the form of text, audio, graphic images or video or a combination of these formats; unified messaging services; voicemail services; providing telecommunications connections to a global computer network or database; video conferencing services; video telephone services; providing telecommunications connections to the Internet or databases; computer aided transmission of messages, data and images; computer communication services; providing electronic conferencing services; providing and leasing access time to computer databases, computer bulletin boards, com-

puter networks, interactive computer communications networks, electronic publications in various fields, merchandising and service catalogues and information and computerised research and reference materials; providing access to educational content, websites and portals; communication services for the remote control of electronic devices; provision of communications networks for systems of smart metering; communication services for the delivery of emergency messages and calls; electronic transmission of data and documents via computer terminals and electronic devices; signal transmission for electronic commerce via telecommunications systems and data communication systems; providing access to electronic communications networks and electronic databases; provision of communication facilities for the interchange of digital data; communication of data by means of telecommunications; transmission of data, including by audio-visual apparatus; transmission of sound, picture, video and data signals; providing access to databases; telecommunication services for data bank interconnection; electronic data exchange services; email data services; data broadcasting and communications services; providing third party users with access to telecommunication infrastructure; provision of information relating to telecommunications, providing electronic telecommunications connections; telecommunication gateway services; interactive telecommunications services; network telecommunication services; telecommunications consultancy services; telecommunications services for aircraft passengers; provision of access to the Internet in relation to electronic payment services including electronic fund transfer services and online transaction facilities; providing telecommunications connections and networks for use with the Internet of Things [IoT]; providing access to e-commerce platforms on the Internet; transmitting information resulting from traffic surveillance; provision of access to databases in relation to online address book, calendar and diary services; providing user access to data networks; transmission of digital data in the nature of user-generated digital media content; computer network access services provided by means of a metro Ethernet; electronic transmission of encrypted data; telecommunications services provided via fibre optic, wireless and cable networks.

(260) AM 2021 108717 A

(800) 1536330

(151) 2019 11 06

(891) 2019 11 06

(731) OZONE OVERSEAS PVT. LTD.

h-40, bali nagar, New Delhi 110015, India

(540)

OZONE

(591) Black, white

(531) 27.05.01

(511)

6 – Metal building materials; fittings of metals for building, furniture, doors and windows; hardware items; hinges, locks and baluster fittings; door closing devices, door closers and floor springs; grills and railings of metal; guard railings of metal; safes of all kinds; parts, fittings and accessories thereof; included in this class.

(260) AM 2021 108718 A

(800) 1536363

(151) 2019 12 19

(891) 2019 12 19

(731) Paks II. Zrt.

Gagarin u. 1. 3. em. 302/B, H-7030 Paks,

Hungary

(540)



(591) Black, white

(531) 26.03.01; 26.03.05; 26.03.12

(511)

1 – Chemical substances, chemical materials and preparations; industrial inorganic chemicals; inorganic chemical compounds for use in industry.

16 – Office requisites; office paper stationery; stationery and educational supplies; stationery; writing and stamping implements; printed matter; printed forms; packaging materials.

35 – Document reproduction; tracking and monitoring energy consumption for others for account auditing purposes; assistance and consultancy services in the field of business management of companies in the energy sector; import-export agencies in the field of energy; billing services in the field of energy; procurement of contracts concerning energy supply; commercial information agency services; import-export agency services; wholesale services in relation to fuels; conducting of trade shows; conducting of business shows and events for commercial or advertising purposes; arranging of shows for business purposes; arranging of shows for commercial purposes.

36 – Real estate management services relating to building complexes; rental, leasing of real estate; arranging of real estate rental; arranging of real estate rental agreements.

37 – Electrical and electronical installation services; electrical implementation and installation services; electric appliance installation and repair; installation of electrical and current generator machines; providing

information relating to the installation of electrical apparatus; renovation, repair and maintenance of electricity conduits; maintenance and repair of electrical earthing systems; construction of telecommunications networks; repair or maintenance of telecommunications apparatus and instruments; providing information relating to the repair or maintenance of telecommunications apparatus and instruments; air conditioning contractor services; maintenance of electronic or air conditioning systems; installation and repair of air conditioning apparatus; providing information relating to the repair or maintenance of air conditioning apparatus; construction project management services; building construction supervision services for building projects; on-site project management relating to the construction of buildings.

38 – Telecommunications services; fixed line telecommunication services; providing wireless telecommunications via electronic communications networks; telecommunications services provided via fibre optic, wireless and cable networks.

39 – Electricity supply services; supply of electricity; electricity distribution services; transmission of electricity; electricity distribution; providing information relating to the supply of electricity; heat supplying [distribution]; gas storage services; distribution of gas; gas supplying [distribution]; transmission of oil and gas through pipelines; rental of warehouse space; rental of warehouses; rental of storage facilities; rental of motor vehicles, ships and aircraft; rental services related to transportation and storage; rental of units and containers suitable for storage and transportation.

40 – Energy production; production of energy by power plants; production of energy by nuclear power plants; consultancy services relating to the generation of electrical power; production of electrical power from renewable sources.

41 – Publishing of printed matter; publication of printed matter and printed publications; publication of printed matter for educational purposes; publication of printed matter in electronic form; publishing services; publishing services carried out by computerised means; on-line publishing services; arranging and conducting educational conferences; organisation and conducting of conferences; organizing conferences, exhibitions and competitions; arranging of presentations for educational purposes; vocational education services, providing of professional training; arranging professional workshop and training courses; production of instructional materials for use at professional lectures; educational information services; providing of educational services; advisory services relating to education; consultancy services relating to education.

42 – Natural scientific research and analysis; engineering works and services; research services; scientific and industrial research; scientific and technological

services; industrial development services; research in the field of energy; energy auditing; design and development of energy distribution networks; engineering services in the field of energy technology; engineering services relating to energy supply systems; development of energy management and energy saving systems; advisory services relating to energy efficiency; advisory services relating to the use of energy; providing technical advice relating to energy saving measures; technological analysis relating to the energy and power needs of others; technological consultancy services in the fields of energy production and use; consultancy relating to technological services in the field of power and energy supply; provision of scientific information; provision of information relating to industrial design; technical advisory services relating to data processing; engineering services relating to data processing; engineering consultancy relating to data processing; engineering services relating to data processing technology; information technology programming services; information technology consultancy, advisory and information services; information services relating to information technology; advising on information technology; design and development of energy management software; web hosting services.

(260) AM 2021 108719 A

(800) 1536391

(151) 2020 03 30

(891) 2020 03 30

(731) FADO S.R.L. SOCIETA' A

RESPONSABILITA' LIMITATA

Piazza del Mercato 18, I-00044 Frascati (RM), Italy

(540)



(591) Orange and white.

(531) 26.04.18; 27.05.10; 27.05.22; 29.01.12

(511)

7 – 3D printers; automatic grapnels for marine purposes; air brushes for applying colour; aerocondensers; glaziers' diamonds [parts of machines]; anti-friction bearings for machines; anti-friction pads for machines; apparatus for aerating water; apparatus for aerating beverages; elevator operating apparatus; lift operating apparatus; acetylene cleaning apparatus; apparatus for drawing up beer under pressure; drums [parts of machines]; concrete mixers [machines]; pulleys; reels [parts of machines]; bobbins for weaving looms; harrows; flour mill machines; journal boxes [parts of machines]; bulldozers; hoppers [mechanical discharging]; drilling rigs, floating or non-floating; vacuum pumps [machines]; loom shafts; rolling mill cylinders;

haulage apparatus [mining]; extractors for mines; loading ramps; fans for motors and engines; machine tools; die-cutting and tapping machines; nut-tapping machines; threading machines; screwdrivers, electric; exhaust manifold for engines; exhausts for motors and engines; vibrators [machines] for industrial use; wringing machines for laundry; clack valves [parts of machines]; centrifugal mills; centrifugal pumps; whisks, electric, for household purposes; winnowers; water heaters [parts of machines]; metal drawing machines; friezing machines; notchers [machine tools]; coal-cutting machines; suction machines for industrial purposes; suction nozzles for vacuum cleaners; carbon brushes [electricity]; vulcanization apparatus; knitting machines; lawnmowers [machines]; brake shoes, other than for vehicles; brake pads, other than for vehicles; brake linings, other than for vehicles; brake segments, other than for vehicles; emergency power generators; alternators; dynamos; bicycle dynamos; current generators; hydraulic engines and motors; hydraulic turbines; torque converters, other than for land vehicles; mine borers; mineworking machines; mufflers for motors and engines; cylinder heads for engines; card clothing [parts of carding machines]; potters' wheels; sharpening machines; rakes for raking machines; engraving machines; stalk separators [machines]; mud catchers and collectors [machines]; tarring machines; rubber tracks being parts of crawlers on construction machines; rubber tracks being parts of crawlers on mining machines; rubber tracks being parts of crawlers on loading-unloading machines and apparatus; rubber tracks being parts of crawlers on agricultural machines; rubber tracks being parts of crawlers on snow ploughs; aeroplane engines; aeronautical engines; engines for boats; engines for air cushion vehicles; compressed air engines; motors, other than for land vehicles; de-aerators for feedwater; disintegrators; tympan [parts of printing presses]; woodworking machines; derricks; joysticks being parts of machines, other than for game machines; adhesive tape dispensers [machines]; dividing machines; mortising machines; milking machines; chisels for machines; jacks [machines]; pneumatic jacks; road sweeping machines, self-propelled; road making machines; drainage machines; electric hand drills; kitchen grinders, electric; typographic machines; typographic presses; printing plates; printing rollers for machines; printing presses; printing machines; printing cylinders; ejectors; fuel economisers for motors and engines; excavators; electrical apparatus for sealing plastics [packaging]; electric welding apparatus; electric hammers; generators of electricity; motors, electric, other than for land vehicles; electrodes for welding machines; electric arc welding apparatus; electric arc cutting apparatus; electromechanical machines for chemical industry; moving staircases [escalators]; labellers [machines]; flues for engine boilers; feeders [parts of machines]; feeding apparatus for engine boilers; reapers; reapers and binders; millstones; handling apparatus for loading and

unloading; railroad constructing machines; igniting devices for internal combustion engines; chucks [parts of machines]; scale collectors for machine boilers; soldering apparatus, gas-operated; welding machines, electric; bending machines; raking machines; grain separators; reapers and threshers; joints [parts of engines]; shaft couplings [machines]; mixing machines; mixers [machines]; blenders, electric, for household purposes; machine wheelwork; couplings, other than for land vehicles; stitching machines; injectors for engines; incubators for eggs; ski edge sharpening tools, electric; control cables for machines, engines or motors; capstans; coffee grinders, other than hand-operated; calenders; sizing machines; stone-working machines; ditchers [ploughs]; cowlings [parts of machines]; carburetters; carburetter feeders; sliders for knitting machines; crankcases for machines, motors and engines; catalytic converters; hydraulic controls for machines, motors and engines; pneumatic controls for machines, motors and engines; piston segments; valves [parts of machines]; glue guns, electric; riveting machines; machine wheels; crank shafts; compressors [machines]; compressors for refrigerators; conveyors [machines]; converters for steelworks; steam condensers [parts of machines]; condensing installations; diggers [machines]; rams [machines]; cranks [parts of machines]; boxes for matrices [printing]; gear boxes, other than for land vehicles; housings [parts of machines]; steam engine boilers; reels, mechanical, for flexible hoses; basket presses; cranes [lifting and hoisting apparatus]; taps [parts of machines, engines or motors]; hangers [parts of machines]; tilt hammers; ball rings for bearings; cultivators [machines]; food processors, electric; kitchen machines, electric; gas-operated blow torches; elevator chains [parts of machines]; chain saws; winches; blade sharpening [stropping] machines; blade holders [parts of machines]; foundry machines; moulds [parts of machines]; elevators [lifts]; shovels, mechanical; blades [parts of machines]; igniting magnetos; handling machines, automatic [manipulators]; churns; butter machines; grease rings [parts of machines]; grease boxes [parts of machines]; lubricating pumps; lubricators [parts of machines]; matrices for use in printing; machine flywheels; whitewashing machines; colour-washing machines; sausage making machines; cord making machines; lace making machines; stereotype machines; bitumen making machines; pasta making machines, electric; machines for the mineralization of drinking water; machines for the production of sugar; electroplating machines; swaging machines; food preparation machines, electromechanical; beverage preparation machines, electromechanical; printing machines for use on sheet metal; dyeing machines; bottle capping machines; bottle stoppering machines; sealing machines for industrial purposes; bottle sealing machines; bicycle assembling machines; harvesting machines; earth moving machines; leather paring machines, finishing machines; corn and grain husking machines;

bottle washing machines; type-setting machines [printing]; bottle filling machines; racket stringing machines; leather-working machines; machines for processing plastics; ore treating machines; glass-working machines; tobacco processing machines; peeling machines; papermaking machines; dairy machines; oil refining machines; brewing machines; hemming machines; crushing machines; grinding machines; shearing machines for animals; machines for the textile industry; embossing machines; waste compacting machines; trash compacting machines; machines and apparatus for carpet shampooing, electric; machines and apparatus for polishing [electric]; machines and apparatus for wax-polishing, electric; machines and apparatus for cleaning, electric; pump diaphragms; metal-working machines; control mechanisms for machines, engines or motors; mechanized livestock feeders; power hammers; high pressure washers; washing installations for vehicles; washing apparatus; fleshing machines; bellows [parts of machines]; forge blowers; agitators; mills [machines]; pepper mills, other than hand-operated; mills for household purposes, other than hand-operated; threshing machines; hammers [parts of machines]; cream/milk separators; engine mounts, other than for land vehicles; roller bridges; motorized cultivators; motors for boats; freewheels, other than for land vehicles; clutches, other than for land vehicles; meat choppers [machines]; pressure valves [parts of machines]; superchargers; reeling apparatus, mechanical; guides for machines; vacuum cleaner attachments for disseminating perfumes and disinfectants; pumps [machines]; pumps [parts of machines, engines or motors]; aerating pumps for aquaria; pumps for heating installations; beer pumps; shears, electric; scissors, electric; knives for mowing machines; chaff cutter blades; knives, electric; tin openers, electric; kick starters for motorcycles; wrapping machines; rotary printing presses; fittings for engine boilers; braiding machines; axles for machines; dust removing installations for cleaning purposes; dust exhausting installations for cleaning purposes; packing machines; fuel dispensing pumps for service stations; paper machines; rotary steam presses, portable, for fabrics; steamrollers; road rollers; steam engines; steam/oil separators; superheaters; steam traps; fan belts for motors and engines; dynamo belts; belts for motors and engines; elevator belts; belts for machines, adhesive bands for pulleys; soldering irons, gas-operated; soldering irons, electric; soldering apparatus, electric; soldering blow pipes, gas-operated; soldering lamps; pedal drives for sewing machines; gears, other than for land vehicles; fuel conversion apparatus for internal combustion engines; saws [machines]; saw blades [parts of machines]; vacuum cleaners; saw benches [parts of machines]; lifting apparatus; hoists; railway wagon lifts; elevating apparatus; lifts, other than ski-lifts; bearings [parts of machines]; bearings for transmission shafts; ball-bearings; roller bearings, bearing brackets for machines; guns [tools using ex-

plosives]; spray guns for paint; ploughs; turf removing ploughs; ploughshares; compressed air machines; pneumatic hammers; compressed air pumps; compressed air guns for the extrusion of mastics; pneumatic transporters; pneumatic tube conveyors; air suction machines; blowing machines; blowing machines for the compression, sucking and carrying of grain; blowing machines for the compression, exhaustion and transport of gases; air condensers; air pumps [garage installations]; paper feeders [printing]; crushers for kitchen use, electric; waste disposal units; weeding machines; pistons [parts of machines or engines], shock absorber plungers [parts of machines]; pistons for engines, pistons for cylinders; dishwashers; trimming machines; washing machines [laundry]; coin-operated washing machines; ironing machines; smoothing presses; presses [machines for industrial purposes]; wine presses; fodder presses; fruit presses, electric, for household purposes; window openers, hydraulic; window openers, electric; window openers, pneumatic; door openers, hydraulic; door openers, electric; door openers, pneumatic; binding apparatus for hay; window closers, hydraulic; window closers, electric; window closers, pneumatic; door closers, hydraulic; door closers, electric; door closers, pneumatic; degreasers [machines]; anti-pollution devices for motors and engines; air cushion devices for moving loads; shoe polishers, electric; parquet wax-polishers, electric; cleaning appliances utilizing steam; curtain drawing devices, electrically operated; bookbinding apparatus and machines for industrial purposes; punching machines; punches for punching machines; rolling mills; rinsing machines; sifting installations; sifting machines; springs [parts of machines]; spinning frames; spinning machines; spinning wheels; puddling machines; pulverisers [machines]; atomisers [machines]; sewage pulverizers; tambours for embroidery machines; radiators [cooling] for motors and engines; jet engines, other than for land vehicles; regulators [parts of machines]; speed governors for machines, engines and motors; pressure regulators [parts of machines]; reduction gears, other than for land vehicles; pressure reducers [parts of machines]; rack and pinion jacks; rail-laying machines; gears for weaving looms; cutting blow pipes, gas-operated; cutters [machines]; tools [parts of machines]; cutting machines; knives [parts of machines]; industrial robots; filling machines; camshafts for vehicle engines; vending machines; expansion tanks [parts of machines]; moving walkways; hand-held tools, other than hand-operated; propulsion mechanisms, other than for land vehicles; stuffing boxes [parts of machines]; self-oiling bearings; self-regulating fuel pumps; satinizing machines; drilling machines; drilling heads [parts of machines]; drilling heads [parts of machines]; drill chucks [parts of machines]; sparking plugs for internal combustion engines; glow plugs for Diesel engines; water separators; cigarette machines for industrial purposes; sieves [machines or parts of machines]; cinder sifters [ma-

chines]; sowers [machines]; agricultural implements, other than hand-operated; agricultural elevators; agricultural machines; tedding machines; net hauling machines [fishing]; straw [chaff] cutters; pigs for cleaning pipes; snow ploughs; sheaf-binding machines; juice extractors, electric; sorting machines for industry; suction cups for milking machines; stands for machines; starters for motors and engines; stators [parts of machines]; tables for machines; clippers [machines]; belts for conveyors; belt conveyors; planing machines; slide rests [parts of machines]; heat exchangers [parts of machines]; thermic lances [machines]; grating machines for vegetables; beating machines; beaters, electric; kneading machines; looms; hosiery looms; lathes [machine tools]; vacuum cleaner bags; grindstones [parts of machines]; sharpening wheels [parts of machines]; rammers [machines]; transmissions for machines; transmissions, other than for land vehicles; transmission shafts, other than for land vehicles; transmission chains, other than for land vehicles; holding devices for machine tools; boiler tubes [parts of machines]; wind turbines; turbines, other than for land vehicles; turbocompressors; driving motors, other than for land vehicles; driving chains, other than for land vehicles; universal joints [Cardan joints]; packaging machines; painting machines; aprons [parts of machines]; filters being parts of machines or engines; filters for cleaning cooling air, for engines; cartridges for filtering machines; filter presses; filtering machines; moulding machines; type-setting machines [photocomposition]; milling machines; bread cutting machines; journals [parts of machines]; nail extractors, electric; central vacuum cleaning installations; centrifugal machines; spin dryers [not heated]; cylinders for motors and engines; cylinders for machines; galvanizing machines; carding machines; shuttles [parts of machines]; inking apparatus for printing machines; connecting rods for machines, motors and engines; sewing machines; lasts for shoes [parts of machines]; pulleys [parts of machines]; vacuum cleaner hoses; trueing machines; shredders [machines] for industrial use; typesetting machines; die-stamping machines; stamping machines; darning machines; brushes [parts of machines]; dynamo brushes; brushes for vacuum cleaners; brushes, electrically operated [parts of machines]; fuel economizers for motors and engines.

8 – Abrading instruments [hand instruments]; glaziers' diamonds [parts of hand tools]; apparatus for destroying plant parasites, hand-operated; bayonets; razors, electric or non-electric; razor strops; borers, pickhammers; bushhammers; levers; fulling tools [hand tools]; table forks; screwdrivers, non-electric; agricultural forks [hand tools]; tap wrenches; lawn clippers [hand instruments]; spanners [hand tools]; wrenches [hand tools]; harpoons; harpoons for fishing; tattoo needles; scythe stones; blade sharpening instruments; sharpening stones; leather strops; edge tools [hand tools];

pincers; goffering irons; crimping irons; rakes [hand tools]; sand trap rakes; engraving needles; cutter bars [hand tools]; handles for hand-operated hand tools; table knives, forks and spoons for babies; punch pliers [hand tools]; chisels; sculptors' chisels; mortise chisels; lifting jacks, hand-operated; extension pieces for braces for screw taps; sharpening instruments; spades [hand tools]; clamps for carpenters or coopers; side arms, other than firearms; rabbeting planes; bits [hand tools]; depilation appliances, electric and non-electric; implements for decanting liquids [hand tools]; hand implements for hair curling; priming irons [hand tools]; gouges [hand tools]; numbering punches; oyster openers; ski edge sharpening tools, hand-operated; ear-piercing apparatus; livestock marking tools; moulding irons; stone hammers; embossers [hand tools]; punch rings [knuckle dusters]; instruments for punching tickets; ceramic knives; centre punches [hand tools]; truncheons; daggers; picks [hand tools]; pickaxes; mallets [hand instruments]; annular screw plates; scythe rings; scythe handles; riveters [hand tools]; riveting hammers [hand tools]; blades [weapons]; pliers; wire strippers [hand tools]; breast drills; fireplace bellows [hand tools]; caulking irons; diggers [hand tools]; lasts [shoemakers' hand tools]; rams [hand tools]; scythes; hainault scythes; squares [hand tools]; fire irons; nail clippers, electric or non-electric; blades [hand tools]; razor blades; blades for planes; shear blades; blade sharpening instruments; vices; bench vices [hand implements]; foundry ladles [hand tools]; fingernail polishers, electric or non-electric; spoons; crow bars; shovels [hand tools]; trowels [gardening]; spatulas for use by artists; ice picks; manicure sets; manicure sets, electric; palette knives; machetes; hair clippers for personal use, electric and non-electric; swords; taps [hand tools]; sledgehammers; hammers [hand tools]; masons' hammers; mattocks; ditchers [hand tools]; trowels; mincing knives [hand tools]; pedicure sets; needle files; emery grinding wheels; emery files; emery boards; files [tools]; dies [hand tools]; hand pumps; metal wire stretchers [hand tools]; metal band stretchers [hand tools]; shaving cases; cattle shearers; wick trimmers [scissors]; shears; shearers [hand instruments]; pruning shears; tree pruners; border shears; scissors; tin openers, non-electric; farriers' knives; scaling knives; pizza cutters, non-electric; grafting tools [hand tools]; paring knives; hunting knives; cleavers; bill-hooks; penknives; knives; cutlery; nail drawers [hand tools]; vegetable slicers; vegetable choppers; budding knives; reamer sockets; perforating tools [hand tools]; saws [hand tools]; jig-saws; bow saws; nail files; nail files, electric; tweezers; hair-removing tweezers; guns [hand tools]; non-electric caulking guns; guns, hand-operated, for the extrusion of mastics; sword scabbards; table knives, forks and spoons of plastic; fruit pickers [hand tools]; paring irons [hand tools]; air pumps, hand-operated; weeding forks [hand tools]; polishing irons [glazing tools]; saw blades [parts of hand tools]; tool belts [holders]; flat

irons; irons [non-electric hand tools]; money scoops; fish tapes [hand tools]; apparatus for tattooing; punches [hand tools]; nail punches; pin punches; weeding forks [hand tools]; frames for handsaws; rasps [hand tools]; cutting tools [hand tools]; tube cutting instruments; bits [parts of hand tools]; graving tools [hand tools]; cutters; syringes for spraying insecticides; reamers; insecticide vaporizers [hand tools]; expanders [hand tools]; planes; plane irons; knife handles; saw holders; hand drills, hand-operated; fullers [hand tools]; hand tools, hand-operated; beard clippers; hair clippers for animals [hand instruments]; garden tools, hand-operated; pruning knives; hoes [hand tools]; augers [hand tools]; hollowing bits [parts of hand tools]; gimlets [hand tools]; drill holders [hand tools]; pruning scissors; choppers [knives]; kitchen mandolines; agricultural implements, hand-operated; cheese slicers, non-electric; scrapers for skis; scrapers [hand tools]; axes; holing axes; hatchets; hoop cutters [hand tools]; silver plate [knives, forks and spoons]; table cutlery [knives, forks and spoons]; drawing knives; mortars for pounding [hand tools]; mitre boxes [hand tools]; branding irons; adzes [tools]; carpenters' augers; braiders [hand tools]; sharpening steels; grindstones [hand tools]; sharpening wheels [hand tools]; rammers [hand tools]; pestles for pounding [hand tools]; earth rammers [hand tools]; whetstone holders; ratchets [hand tools]; tube cutters [hand tools]; razor cases; hobby knives [scalpels]; nail extractors, hand-operated; ladles [hand tools]; hackles [hand tools]; scraping tools [hand tools]; sabres; milling cutters [hand tools]; marline spikes; awls; instruments and tools for skinning animals; spatulas [hand tools]; stamps [hand tools]; curling tongs; cuticle tweezers; nail nippers; eyelash curlers; egg slicers, non-electric.

9 – 3D spectacles; answering machines; ticket dispensers; circuit breakers; automated teller machines [ATM]; steering apparatus, automatic, for vehicles; automatic indicators of low pressure in vehicle tyres; aerometers; asbestos clothing for protection against fire; asbestos gloves for protection against accidents; asbestos screens for firemen; accelerometers; actinometers; batteries for electronic cigarettes; accumulators, electric; acoustic couplers; alidades; altimeters; ammeters; anemometers; anodes; anode batteries; antennas; anti-glare glasses; visors for helmets; anticathodes; remote control apparatus; data processing apparatus; apparatus to check franking; apparatus for fermentation [laboratory apparatus]; igniting apparatus, electric, for igniting at a distance; apparatus and installations for the production of X-rays, not for medical purposes; Global Positioning System [GPS] apparatus; testing apparatus not for medical purposes; apertometers [optics]; acid hydrometers; acidimeters for batteries; apparatus and instruments for astronomy; audio- and video-receivers; audiovisual teaching apparatus; audio interfaces; beacons, luminous; balancing apparatus; lighting ballasts; battery jars; barome-

ters; batteries for lighting; batteries, electric; batteries, electric, for vehicles; accumulators, electric, for vehicles; cordless telephones; balances [steelyards]; betatrons; binoculars; biochips, computer memory devices; black boxes [data recorders]; fire hose nozzles; connected bracelets [measuring instruments]; scales; baby scales; scales with body mass analysers; bathroom scales; weighbridges; plumb bobs; vacuum gauges; vacuum tubes [radio]; variometers; shoes for protection against accidents, irradiation and fire; measuring instruments; gauges; measuring apparatus; measuring devices, electric; measures; current rectifiers; high-frequency apparatus; flowmeters; branch boxes [electricity]; video screens; camcorders; video cassettes; video baby monitors; video telephones; viewfinders, photographic; sighting telescopes for firearms; telescopic sights for firearms; viscosimeters; wind socks for indicating wind direction; levelling staffs [surveying instruments]; rods [surveying instruments]; peepholes [magnifying lenses] for doors; marking buoys; fire extinguishers; diving suits; divers' masks; fibre optic cables; voltmeters; ear plugs for divers; gas testing instruments; gasometers [measuring instruments]; discharge tubes, electric, other than for lighting; galena crystals [detectors]; galvanic batteries; galvanic cells; galvanometers; hands-free kits for telephones; virtual reality headsets; heliographic apparatus; surveying instruments; surveying apparatus and instruments; surveying chains; weights; hygrometers; hydrometers; needles for surveying compasses; needles for record players; holograms; measuring glassware; sounding leads; loudspeakers; range finders; decompression chambers; densimeters; densitometers; detectors; smoke detectors; counterfeit coin detectors; bells [warning devices]; bells [warning devices]; mirrors for inspecting work; dictating machines; dynamometers; floppy disks; disks, magnetic; disk drives for computers; juke boxes for computers; telerupters; distillation apparatus for scientific purposes; diffraction apparatus [microscopy]; breathing apparatus for underwater swimming; breathing apparatus, except for artificial respiration; diagnostic apparatus, not for medical purposes; transparencies [photography]; slides [photography]; slide projectors; diaphragms [acoustics]; diaphragms [photography]; diaphragms for scientific apparatus; DNA chips; adding machines; dosage dispensers; dosimeters; road signs, luminous or mechanical; traffic cones; fuse wire; choking coils [impedance]; equalizers [audio apparatus]; screens [photography]; exposure meters [light meters]; electrified fences; electrified rails for mounting spot lights; electric installations for the remote control of industrial operations; electrical adapters; electric door bells; electricity conduits; electro-dynamic apparatus for the remote control of railway points; electro-dynamic apparatus for the remote control of signals; electrolyzers; electromagnetic coils; electronic key fobs being remote control apparatus; electronic publications, downloadable; electronic interactive white-

boards; electronic pocket translators; electronic collars to train animals; electronic sheet music, downloadable; electronic pens [visual display units]; electronic notice boards; electronic access control systems for interlocking doors; electric and electronic effects units for musical instruments; electronic tags for goods; epidiascopes; ergometers; encoded identification bracelets, magnetic; locks, electric; electronic agendas; voltage surge protectors; fuses; battery chargers; chargers for electric batteries; chargers for electronic cigarettes; charging stations for electric vehicles; protection devices for personal use against accidents; protection devices against X-rays, not for medical purposes; protective suits for aviators; protective masks; goggles for sports; protective films adapted for computer screens; protective films adapted for smartphones; head guards for sports; mouth guards for sports; protective helmets; protective helmets for sports; acoustic alarms; sound reproduction apparatus; sound recording apparatus; phonograph records; sound recording strips; sound transmitting apparatus; acoustic conduits; connectors [electricity]; couplers [data processing equipment]; connections for electric lines; couplings, electric; wire connectors [electricity]; mechanical signs; signs, luminous; probes for scientific purposes; sounding apparatus and machines; buzzers; readers [data processing equipment]; bar code readers; identity cards, magnetic; inverters [electricity]; slope indicators; clinometers; gradient indicators; inclinometers; pressure indicators; incubators for bacteria culture; instruments containing eyepieces; integrated circuits; interactive touch screen terminals; interfaces for computers; infrared detectors; ionization apparatus not for the treatment of air or water; sparkguards; starter cables for motors; cables, electric; calipers; calibrating rings; calorimeters; pocket calculators; teeth protectors; capillary tubes; memory cards for video game machines; integrated circuit cards [smart cards]; encoded key cards, carriers for dark plates [photography]; video game cartridges; cash registers; cathodes; cathodic anti-corrosion apparatus; mouse pads; cinematographic film, exposed; cinematographic cameras; terminals [electricity]; push buttons for bells; coaxial cables; encoded magnetic cards; collectors, electric; dog whistles; compact discs [audio-video]; compact discs [read-only memory]; comparators; directional compasses; marine compasses; computers; computer hardware; computer game software; computer software, recorded; joysticks for use with computers, other than for video games; computer keyboards; computer peripheral devices; printers for use with computers; magnetic tape units for computers; computer programs downloadable; computer programs recorded; computer operating programs, recorded; commutators; electric apparatus for commutation; condensers [capacitors]; contacts, electric; contact lenses; containers for contact lenses; boiler control instruments; correcting lenses [optics]; junction boxes [electricity]; cabinets for loudspeakers; battery

boxes; squares for measuring; cosmographic instruments; clothing for protection against fire; garments for protection against fire; spools [photography]; coils, electric; inductors [electricity]; droppers for measuring, other than for medical or household purposes; pedometers; circular slide rules; bullet-proof clothing; bullet-proof waistcoats; azimuth instruments; laboratory trays; logs [measuring instruments]; lasers, not for medical purposes; lactodensimeters; lactometers; darkroom lamps [photography]; flash-bulbs [photography]; spectacle chains; laptop computers; spectacle lenses; rulers [measuring instruments]; carpenters' rules; optical lanterns; counters; revolution counters; distance recording apparatus; mileage recorders for vehicles; slide-rules; sounding lines; magnifying glasses [optics]; magnets; decorative magnets; magnetic encoders; magnetic data media; magnetic wires; magnetic tapes; videotapes; crash test dummies; pressure gauges; solderers' helmets; mathematical instruments; materials for electricity mains [wires, cables]; weighing machines; money counting and sorting machines; material testing instruments and machines; furniture especially made for laboratories; megaphones; portable media players; metal detectors for industrial or military purposes; meteorological instruments; meteorological balloons; rules [measuring instruments]; dressmakers' measures; metronomes; mechanisms for counter-operated apparatus; mechanisms for coin-operated apparatus; coin-operated mechanisms for television sets; mouse [computer peripheral]; copper wire, insulated; micrometers; micrometer screws for optical instruments; microprocessors; microscopes; microtomes; microphones; audio mixers; measuring spoons; mobile telephones; modems; monitors [computer hardware]; monitors [computer programs]; apparatus for editing cinematographic film; nautical apparatus and instruments; marine depth finders; naval signalling apparatus; juke boxes, musical; animated cartoons; junction sleeves for electric cables; navigational instruments; navigation apparatus for vehicles [on-board computers]; teaching apparatus; headphones; kneepads for workers; covers for electric outlets; semiconductors; neon signs; identification threads for electric wires; thread counters; surveyors' levels; levelling instruments; verniers; nose clips for divers and swimmers; notebook computers; objectives [lenses] [optics]; lenses for astrophotography; close-up lenses; limiters [electricity]; sheaths for electric cables; identification sheaths for electric wires; egg-candlers; clothing for protection against accidents, irradiation and fire; clothing especially made for laboratories; ozonizers [ozonators]; octants; spectacles; sunglasses; eyepieces; ohmmeters; spectacle frames; optical glass; eyewear; optical fibres [light conducting filaments]; optical discs; optical character readers; optical condensers; optical lenses; optical data media; optical apparatus and instruments; telescopic sights for artillery; oscillographs; cleaning apparatus for phonograph records; selfie sticks [hand-held monopods];

parking meters; safety restraints, other than for vehicle seats and sports equipment; pince-nez; stills for laboratory experiments; intercommunication apparatus; speaking tubes; transmitters of electronic signals; oxygen transvasing apparatus; switchboxes [electricity]; switchboards; switches, electric; time switches, automatic; converters, electric; periscopes; personal stereos; punched card machines for offices; furnaces for laboratory use; amplifying tubes; amplifiers; wrist rests for use with computers; pyrometers; planimeters; plane tables [surveying instruments]; tablet computers; plates for batteries; wafers for integrated circuits; printed circuit boards; DVD players; cassette players; compact disc players; films, exposed; plotters; fire escapes; fire engines; fire pumps; fire blankets; fire beaters; fire alarms; fire boats; fire hose; electric loss indicators; quantity indicators; gasoline gauges; petrol gauges; water level indicators; sprinkler systems for fire protection; polarimeters; vehicle breakdown warning triangles; letter scales; precision balances; prisms [optics]; computer software applications, downloadable; air analysis apparatus; food analysis apparatus; distance measuring apparatus; appliances for measuring the thickness of leather; apparatus for measuring the thickness of skins; speed checking apparatus for vehicles; time recording apparatus; weighing apparatus and instruments; particle accelerators; hemline markers; railway traffic safety appliances; speed measuring apparatus [photography]; invoicing machines; video recorders; fire extinguishing apparatus; tape recorders; apparatus for changing record player needles; film cutting apparatus; electronic book readers; test tubes; flashing lights [luminous signals]; conductors, electric; wires, electric; ducts [electricity]; record players; projection apparatus; projection screens; washing trays [photography]; anti-interference devices [electricity]; theft prevention installations, electric; anti-theft warning apparatus; processors [central processing units]; rods for water diviners; plumb lines; control panels [electricity]; radar apparatus; radiological apparatus for industrial purposes; radiology screens for industrial purposes; baby monitors; radio pagers; transmitting sets [telecommunication]; radios; vehicle radios; walkie-talkies; radiotelegraphy sets; radiotelephony sets; masts for wireless aerials; frames for photographic transparencies; screens for photoengraving; abacuses; calculating machines; voting machines; resuscitation mannequins [teaching apparatus]; regulating apparatus, electric; voltage regulators for vehicles; light dimmers [regulators], electric; stage lighting regulators; speed regulators for record players; cell switches [electricity]; resistances, electric; marking gauges [joinery]; T-squares for measuring; relays, electric; cell phone straps; X-ray apparatus not for medical purposes; X-ray films, exposed; X-ray tubes not for medical purposes; X-ray photographs, other than for medical purposes; rheostats; respirators for filtering air; respiratory masks, other than for artificial respiration; retorts; refractometers; refractors;

grids for batteries; downloadable ring tones for mobile phones; levels [instruments for determining the horizontal]; screw-tapping gauges; humanoid robots with artificial intelligence; electric plugs; demagnetizing apparatus for magnetic tapes; distribution boxes [electricity]; distribution consoles [electricity]; distribution boards [electricity]; lightning arresters; lightning conductors; slide calipers; mercury levels; circuit closers; gloves for divers; gloves for protection against X-rays for industrial purposes; gloves for protection against accidents; horns for loudspeakers; life saving apparatus and equipment; safety tarpaulins; life buoys; lifejackets; life-saving capsules for natural disasters; life-saving rafts; life belts; subwoofers; whistle alarms; reflective articles for wear, for the prevention of accidents; reflective safety vests; lens hoods; blueprint apparatus; light-emitting diodes [LED]; light-emitting electronic pointers; traffic-light apparatus [signalling devices]; sextants; fog signals, non-explosive; signals, luminous or mechanical; signalling buoys; signal bells; alarm bells, electric; signal lanterns; signalling panels, luminous or mechanical; alarms; signalling whistles; simulators for the steering and control of vehicles; sirens; safety nets; life nets; nets for protection against accidents; scanners [data processing equipment]; smartwatches; smart rings; smartglasses; smartphones; salinometers; solenoid valves [electromagnetic switches]; sonars; solar batteries; solar panels for the production of electricity; spectrograph apparatus; spectroscopes; spirit levels; alcoholmeters; speed indicators; monitoring apparatus, other than for medical purposes; observation instruments; shutter releases [photography]; stereoscopes; stereoscopic apparatus; head cleaning tapes [recording]; stroboscopes; sulfitemeters; bags adapted for laptops; satellites for scientific purposes; satellite navigational apparatus; drying apparatus for photographic prints; drying racks [photography]; spherometers; printed circuits; time clocks [time recording devices]; egg timers [sandglasses]; hourglasses; taximeters; tachometers; television apparatus; telegraph wires; telescopes; teleprompters; teleprinters; telephone apparatus; telephone transmitters; telephone wires; telephone receivers; temperature indicators; temperature indicator labels, not for medical purposes; theodolites; thermal imaging cameras; heat regulating apparatus; thermo-hygrometers; thermionic valves; thermionic tubes; thermometers, not for medical purposes; thermostats; thermostats for vehicles; crucibles [laboratory]; pressure measuring apparatus; pressure indicator plugs for valves; security tokens [encryption devices]; tone arms for record players; toner cartridges, unfilled, for printers and photocopiers; totalizers; precision measuring apparatus; transistors [electronic]; transmitters [telecommunication]; transponders; protractors [measuring instruments]; transformers [electricity]; step-up transformers; holders for electric coils; tripods for cameras; triodes; Pitot tubes; urinometers; downloadable image files; downloadable music files; facsimile

machines; apparatus and instruments for physics; filters for use in photography; filters for respiratory masks; filters for ultraviolet rays, for photography; wearable activity trackers; USB flash drives; fluorescent screens; cameras [photography]; glazing apparatus for photographic prints; drainers for use in photography; photovoltaic cells; shutters [photography]; enlarging apparatus [photography]; photocopiers [photographic, electrostatic, thermic]; darkrooms [photography]; photometers; flashlights [photography]; phototelegraphy apparatus; spectacle cases; cases for smartphones; containers for microscope slides; cases especially made for photographic apparatus and instruments; wavemeters; chemistry apparatus and instruments; chromatography apparatus for laboratory use; chronographs [time recording apparatus]; laboratory centrifuges; centering apparatus for photographic transparencies; cyclotrons; compasses for measuring; digital weather stations; digital signs; digital photo frames; saccharometers; magic lanterns; frequency meters; Petri dishes; chips [integrated circuits]; square rulers for measuring; sleeves for laptops; covers for personal digital assistants [PDAs]; covers for tablet computers; covers for smartphones; jigs [measuring instruments]; spectacle cords; riding helmets; retorts' stands; stands for photographic apparatus; sound locating instruments; workmen's protective face-shields; armatures [electricity].

11 – Lamp shades; aquarium lights; aquarium heaters; aquarium filtration apparatus; steam accumulators; heat accumulators; hot air apparatus; air deodorizing apparatus; apparatus for dehydrating food waste; ionization apparatus for the treatment of air or water; oil-scrubbing apparatus; coffee roasters; tanning apparatus [sun beds]; hand drying apparatus for washrooms; air purifying apparatus and machines; hydromassage bath apparatus; structural framework for ovens; acetylene generators; acetylene flares; acetylene burners; germicidal lamps for purifying air; bidets; laundry room boilers; washing coppers; bath tubs; spa baths [vessels]; waffle irons, electric; bicycle lights; fans [air-conditioning]; fans [parts of air-conditioning installations]; electric fans for personal use; ventilation [air-conditioning] installations for vehicles; ventilation [air-conditioning] installations and apparatus; safety lamps; kilns; drying ovens; evaporators; ventilation hoods; ventilation hoods for laboratories; vehicle reflectors; pressure water tanks; whirlpool-jet apparatus; water conduits installations; water intake apparatus; water softening apparatus and installations; water heaters; water purification installations; water purifying apparatus and machines; water supply installations; water distribution installations; flushing tanks; water flushing installations; water filtering apparatus; carbon for arc lamps; gas lighters; gas boilers; gas burners; gas condensers, other than parts of machines; gas lamps; gas scrubbers [parts of gas installations]; scrubbers [parts of gas installations]; gas scrubbing

apparatus; discharge tubes, electric, for lighting; hydrants; hearths; rotisseries; hot water bottles; warming pans; footwarmers, electric or non-electric; bed warmers; disinfectant apparatus; deodorising apparatus, not for personal use; ornamental fountains; flaming torches; chimney flues; stills; distillation apparatus; distillation columns; arc lamps; showers; shower cubicles; electric appliances for making yogurt; electric lamps; electrically heated carpets; heating cushions, electric, not for medical purposes; roasters; malt roasters; roasting apparatus; roasting spits; flues for heating boilers; feeding apparatus for heating boilers; loading apparatus for furnaces; immersion heaters; lighters; safety accessories for water or gas apparatus and pipes; chimney blowers; humidifiers for central heating radiators; coils [parts of distilling, heating or cooling installations]; mixer taps for water pipes; desalination plants; furnace ash boxes; watering installations, automatic; coffee machines, electric; oil lamps; lava rocks for use in barbecue grills; hot air ovens; oxyhydrogen burners; Chinese lanterns; fairy lights for festive decoration; pocket warmers; level controlling valves in tanks; air valves for steam heating installations; blankets, electric, not for medical purposes; furnace grates; fireplaces, domestic; air conditioning apparatus; air conditioners for vehicles; taps for pipes and pipelines; taps; drip irrigation emitters [irrigation fittings]; forges, portable; cooking utensils, electric; cooking apparatus and installations; cooking rings; kitchen ranges [ovens]; cooking stoves; laboratory lamps; laboratory burners; curling lamps; light bulbs for directional signals for vehicles; lamp glasses; lamp reflectors; lamp chimneys; lamp mantles; lights, electric, for Christmas trees; street lamps; lights for automobiles; lights for vehicles; electric torches; lanterns for lighting; cool boxes, electric; chandeliers; magnesium filaments for lighting; barbecues; ice machines and apparatus; microwave ovens [cooking apparatus]; microwave ovens for industrial purposes; freezers; motorcycle lights; multicookers; footmuffs, electrically heated; heating elements; hot plates; glue-heating appliances; heaters, electric, for feeding bottles; heaters for baths; heaters for heating irons; air reheaters; plate warmers; heating apparatus for defrosting vehicle windows; radiator caps; brackets for gas burners; heating filaments, electric; filaments for electric lamps; roasting jacks; heating plates; stoves [heating apparatus]; fumigation apparatus, not for medical purposes; heating installations; heating installations [water]; heaters for vehicles; heating apparatus; heating apparatus, electric; heating apparatus for solid, liquid or gaseous fuels; heating boilers; kiln furniture [supports]; light-emitting diodes [LED] lighting apparatus; coolers for furnaces; purification installations for sewage; burners; germicidal burners; burners for lamps; oil burners; food steamers, electric; boilers, other than parts of machines; steam boilers, other than parts of machines; pasteurisers; sockets for electric lights; Turkish bath cabinets, portable; coffee percolators, el-

ectric; furnaces, other than for laboratory use; diving lights; urinals being sanitary fixtures; ceiling lights; lamp globes; watering machines for agricultural purposes; polymerisation installations; heated display cabinets; ash conveyor installations, automatic; steam facial apparatus [saunas]; searchlights; washers for water taps; anti-splash tap nozzles; anti-glare devices for vehicles [lamp fittings]; defrosters for vehicles; radiators [heating]; radiators, electric; central heating radiators; sinks; refining towers for distillation; heat regenerators; regulating and safety accessories for water apparatus; regulating and safety accessories for gas pipes; regulating accessories for water or gas apparatus and pipes; regulating and safety accessories for gas apparatus; dampers [heating]; refrigerators; incandescent burners; disinfectant dispensers for toilets; expansion tanks for central heating installations; bath installations; luminous house numbers; lamps; lighting apparatus for vehicles; lighting apparatus and installations; light bulbs; light bulbs, electric; lighting installations for air vehicles; light diffusers; bath tubs for sitz baths; autoclaves, electric, for cooking; pressure cookers, electric; incinerators; solar furnaces; solar thermal collectors [heating]; alcohol burners; sterilizers; water sterilizers; clean chambers [sanitary installations]; desiccating apparatus; hair dryers; drying apparatus for fodder and forage; tobacco roasters; fruit roasters; laundry dryers, electric; drying apparatus and installations; heat pumps; heat exchangers, other than parts of machines; thermostatic valves [parts of heating installations]; friction lighters for igniting gas, bread toasters; lampshade holders; boiler pipes [tubes] for heating installations; pipes [parts of sanitary installations]; luminous tubes for lighting; toilets [water-closets]; toilets, portable; toilet seats; ultraviolet ray lamps, not for medical purposes; wash-hand basins [parts of sanitary installations]; toilet bowls; steam generating installations; air-conditioning installations; installations for processing nuclear fuel and nuclear moderating material; air cooling apparatus; air filtering installations; air sterilisers; air dryers; swimming pool chlorinating apparatus; sauna bath installations; bath fittings; hot air bath fittings; bath installations; flare stacks for use in the oil industry; headlights for automobiles; vehicle headlights; fittings, shaped, for furnaces; filters for air conditioning; filters for drinking water; fountains; deep fryers, electric; extractor hoods for kitchens; bread baking machines; bread-making machines; bakers' ovens; cooling installations for water; cooling installations for liquids; cooling installations for tobacco; cooling installations and machines; milk cooling installations; beverage cooling apparatus; refrigerating containers; refrigerating chambers; refrigerating display cabinets; cooling appliances; refrigerating appliances; refrigerating cabinets; chromatography apparatus for industrial purposes; kettles, electric; oven fittings made of fireclay; dental ovens; miners' lamps; nuclear reactors.

16 – Fountain pens; address plates for addressing machines; address stamps; addressing machines; aquarelles; albums; scrapbooks; almanacs; bookbinding apparatus and machines [office equipment]; architects' models; atlases; banknotes; tags for index cards; biological samples for use in microscopy [teaching materials]; forms, printed; pads [stationery]; drawing pads; wristbands for the retention of writing instruments; pamphlets; booklets; plastic bubble packs for wrapping or packaging; rollers for typewriters; house painters' rollers; composing sticks; signboards of paper or cardboard; sewing patterns; viscose sheets for wrapping; greeting cards; musical greeting cards; drawer liners of paper, perfumed or not; cream containers of paper; waxed paper; charcoal pencils; newspapers; electrotypes; hectographs; geographical maps; shields [paper seals]; toilet paper; bunting of paper; histological sections for teaching purposes; terrestrial globes; drawing sets; engraving plates; engravings; graphic representations; graphic reproductions; graining combs; pencil leads; rubber erasers; adhesive tape dispensers [office requisites]; bibs of paper; diagrams; punches [office requisites]; advertisement boards of paper or cardboard; printing blocks; typewriters, electric or non-electric; printing type; printed matter; printed publications; graphic prints; elastic bands for offices; prints [engravings]; labels of paper or cardboard; magazines [periodicals]; bookmarkers; note books; money clips; paper clasps; pen clips; moisteners [office requisites]; moisteners for gummed surfaces [office requisites]; binding strips [bookbinding]; erasing products; writing board erasers; transfers [decalcomanias]; writing or drawing books; handwriting specimens for copying; credit card imprinters, non-electric; newsletters; calendars; tracing patterns; tracing paper; tracing cloth; gums [adhesives] for stationery or household purposes; ink stones [ink reservoirs]; stationery; paintings [pictures], framed or unframed; announcement cards [stationery]; trading cards, other than for games; cards; wood pulp board [stationery]; cardboard; cardboard tubes; files [office requisites]; catalogues; flower-pot covers of paper; manifolds [stationery]; tickets; typewriter keys; glue for stationery or household purposes; pastes for stationery or household purposes; adhesive bands for stationery or household purposes; adhesive tapes for stationery or household purposes; gluten [glue] for stationery or household purposes; adhesives [glues] for stationery or household purposes; books; bookends; comic books; drawing pins; thumbtacks; envelopes [stationery]; conical paper bags; carbon paper; copying paper [stationery]; tracing needles for drawing purposes; duplicators; correcting fluids [office requisites]; correcting ink [heliography]; hat boxes of cardboard; boxes of paper or cardboard; squares for drawing; spools for inking ribbons; tailors' chalk; chalk for lithography; spray chalk; drawing boards; drawing instruments; French curves; drawing materials; drawing pens; starch paste [adhesive] for stationery or household

purposes; printed coupons; document laminators for office use; sheets of reclaimed cellulose for wrapping; absorbent sheets of paper or plastic for foodstuff packaging; humidity control sheets of paper or plastic for foodstuff packaging; flyers; drawing rulers; lithographs; lithographic works of art; lithographic stones; paint trays; luminous paper; pictures; sealing compounds for stationery purposes; bookbinding material; modelling materials; packaging material made of starches; envelope sealing machines for offices; sealing machines for offices; franking machines for office use; pencil sharpening machines, electric or non-electric; garbage bags of paper or of plastics; plastic bags for pet waste disposal; modelling clay; modelling wax, not for dental purposes; painters' easels; stuffing of paper or cardboard; galley racks [printing]; composing frames [printing]; printing sets, portable [office requisites]; teaching materials [except apparatus]; stickers [stationery]; finger-stalls [office requisites]; table runners of paper; writing cases [stationery]; writing cases [sets]; paper knives [letter openers]; paper creasers [office requisites]; handkerchiefs of paper; printed sheet music; numbering apparatus; covers [stationery]; passport holders; sealing wafers; index cards [stationery]; indexes; arithmetical tables; oleographs; pencils; pencil lead holders; slate pencils; bottle wrappers of paper or cardboard; office requisites, except furniture; office perforators; etchings; etching needles; printers' blankets, not of textile; bags for microwave cooking; bottle envelopes of paper or cardboard; packing [cushioning, stuffing] materials of paper or cardboard; palettes for painters; pantographs [drawing instruments]; paper bows, other than haberdashery or hair decorations; paper ribbons, other than haberdashery or hair decorations; paper tapes and cards for the recordal of computer programmes; papier mâché; paper sheets [stationery]; electrocardiograph paper; paper for recording machines; wrapping paper; paper for radiograms; wood pulp paper; paper; document files [stationery]; folders for papers; loose-leaf binders; pastels [crayons]; modelling paste; pen cases; paintbrushes; painters' brushes; nibs of gold; parchment paper; periodicals; pen wipers; perforated cards for Jacquard looms; seals [stamps]; writing chalk; writing materials; writing paper; writing slates; writing instruments; writing brushes; letter trays; trays for sorting and counting money; manuals [handbooks]; handbooks [manuals]; hand-rests for painters; stands for pens and pencils; photograph stands; coasters of paper; mats for beer glasses; stamp stands; desk mats; tablemats of paper; place mats of paper; song books; posters; clipboards; plastics for modelling; plastic film for wrapping; plastic cling film, extensible, for palletization; paper shredders for office use; stamp pads; polymer modelling clay; banners of paper; canvas for painting; cloth for bookbinding; portraits; postcards; postage stamps; obliterating stamps; flags of paper; paperweights; vignetting apparatus; apparatus for mounting photographs; gummed

cloth for stationery purposes; gummed tape [stationery]; blotters; prospectuses; printers' reglets; ledgers [books]; T-squares for drawing; isinglass for stationery or household purposes; rice paper; printed timetables; marking chalk; pens [office requisites]; marking pens [stationery]; penholders; hand labelling appliances; face towels of paper; towels of paper; self-adhesive tapes for stationery or household purposes; blueprints; table napkins of paper; tissues of paper for removing make-up; cigar bands; tablecloths of paper; clips for offices; scrapers [erasers] for offices; paperclips; silver paper; steel letters; steel pens; steatite [tailor's chalk]; stapling presses [office requisites]; table linen of paper; balls for ball-point pens; typewriter ribbons; correcting tapes [office requisites]; bags [envelopes, pouches] of paper or plastics, for packaging; sealing wax; embroidery designs [patterns]; placards of paper or cardboard; fabrics for bookbinding; pencil sharpeners, electric or non-electric; transparencies [stationery]; stencils; stencils [stationery]; stencil plates; mimeograph apparatus and machines; document holders [stationery]; chalk holders; pencil holders; holders for cheque books; holders for stamps [seals]; page holders; Indian inks; chart pointers, non-electronic; paint boxes for use in schools; figurines of papier mâché; paper coffee filters; filter paper; filtering materials of paper; moulds for modelling clays [artists' materials]; photo-engravings; photographs [printed]; cases for stamps [seals]; chromolithographs [chromos]; papers for painting and calligraphy; compasses for drawing; numbers [type]; artists' watercolour saucers; ink; inkwells; inking sheets for duplicators; inking sheets for document reproducing machines; inking pads; inkstands; ink sticks; inking ribbons; inking ribbons for computer printers; square rulers for drawing; stencil cases; erasing shields; desktop cabinets for stationery [office requisites]; school supplies [stationery]; blackboards; cords for bookbinding; type [numerals and letters]; stamps [seals]; sealing stamps; washi.

17 – Asbestos; asbestos felt; asbestos packing; asbestos cloth; asbestos millboards; asbestos paper; asbestos slate; asbestos fibers; asbestos fibres; asbestos safety curtains; asbestos sheets; asbestos coverings; asbestos fabrics; acrylic resins, semi-processed; shock-absorbing buffers of rubber; anti-dazzle films for windows [tinted films]; reinforcing materials, not of metal, for pipes; cellulose acetate, semi-processed; balata; canvas hose pipes; cotton wool for packing [caulking]; clack valves of rubber; window stops of rubber; viscose sheets, other than for wrapping; water-tight rings; stuffing rings; waterproof packings; rubber sleeves for protecting parts of machines; carbon fibers, other than for textile use; vulcanized fiber; vulcanized fibre; flexible hoses, not of metal; gum, raw or semi-worked; rubber material for recapping tyres; rubber stoppers; gutta-percha; door stops of rubber; dielectrics [insulators]; ebonite; lute; soundproofing mate-

rials; junctions, not of metal, for pipes; connecting hose for vehicle radiators; insulators; insulators for electric mains; insulators for railway tracks; insulators for cables; insulating felt; glass wool for insulation; insulating plaster; insulating paper; duct tapes; insulating refractory materials; insulating varnish; insulating oils; insulating oil for transformers; insulating materials; insulating gloves; insulating bands; insulating tapes; insulating fabrics; insulating paints; rubber, raw or semi-worked; rubber solutions; rings of rubber; valves of india-rubber or vulcanized fibre; adhesive bands, other than stationery and not for medical or household purposes; adhesive tapes, other than stationery and not for medical or household purposes; latex [rubber]; foil of regenerated cellulose, other than for wrapping; brake lining materials, partly processed; weatherstripping compositions; caulking materials; compositions to prevent the radiation of heat; boiler composition to prevent the radiation of heat; foils of metal for insulating; cylinder jointings; mineral wool [insulator]; pipe muffers, not of metal; threads of rubber, other than for textile use; elastic threads, other than for textile use; elastic yarns, other than for textile use; threads of plastic for soldering; threads of plastic materials, other than for textile use; floating anti-pollution barriers; floating anti-pollution barriers; packing [cushioning, stuffing] materials of rubber or plastics; paper for electrical capacitors; plastic substances, semi-processed; plastic sheeting for agricultural purposes; plastic fibres, other than for textile use; plastic film, other than for wrapping; bark coverings for sound insulation; watering hose; rubber seals for jars; padding materials of rubber or plastics; stuffing of rubber or plastics; substances for insulating buildings against moisture; liquid rubber; self-adhesive tapes, other than stationery and not for medical or household purposes; synthetic rubber; synthetic resins, semi-processed; artificial resins, semi-processed; fibreglass for insulation; mica, raw or partly processed; stops of rubber; bags [envelopes, pouches] of rubber, for packaging; non-conducting materials for retaining heat; fibreglass fabrics for insulation; gaskets; joint packings; expansion joint fillers; pipe gaskets; draught excluder strips; sealant compounds for joints; filtering materials of semi-processed foams of plastic; fittings, not of metal, for flexible pipes; fittings, not of metal, for rigid pipes; fittings, not of metal, for compressed air lines; foam supports for flower arrangements [semi-finished products]; ebonite molds; clutch linings; chemical compositions for repairing leaks; washers of rubber or vulcanized fiber; slag wool [insulator]; hoses of textile material; cords of rubber.

19 – Asbestos mortar; asbestos cement; aquaria [structures]; alabaster; alabaster glass; arbours [structures], not of metal; reinforcing materials, not of metal, for building; asphalt; asphalt paving; beacons, not of metal, non-luminous; balustrades, not of metal; huts; crash barriers, not of metal, for roads; swimming po-

ols [structures], not of metal; safety glass; concrete; concrete building elements; bitumen; bituminous products for building; bituminous coatings for roofing; bitumen paper for building; armoured doors, not of metal; armour-plating, not of metal; beams, not of metal; girders, not of metal; building glass; building stone; building paper; buildings, not of metal; buildings, transportable, not of metal; building materials, not of metal; construction materials, not of metal; rubble; bird baths [structures], not of metal; lime; limestone; calcareous stone; calcareous marl; works of stonemasonry; agglomerated bagasses of cane [building material]; windows, not of metal; window glass for building; window glass, other than vehicle window glass; shutters, not of metal; window frames, not of metal; vinyl siding; stained-glass windows; tanks of masonry; firebricks; refractory construction materials, not of metal; fireproof cement coatings; water-pipes, not of metal; roof gutters, not of metal; gutter pipes, not of metal; aviaries [structures], not of metal; gates, not of metal; street gutters, not of metal; binding material for road repair; binding agents for making briquettes; geotextiles; gypsum [building material]; fireclay; grog [fired refractory material]; earth for bricks; clay; potters' clay; gravel; aquarium gravel; granite; lattice-work, not of metal; trellises, not of metal; rubber bearings for seismic isolation of buildings; hips for roofing; roof coverings, not of metal; doors, not of metal; door panels, not of metal; door frames, not of metal; door casings, not of metal; mouldings, not of metal, for building; mouldings, not of metal, for cornices; cask wood; wood for making household utensils; wood, semi-worked; wood veneers; wooden floor boards; wood panelling; chimney cowls, not of metal; chimneys, not of metal; chimney shafts, not of metal; paving slabs, not of metal; wood paving; paving blocks, not of metal; lengthening pieces, not of metal, for chimneys; furrings of wood; drain pipes, not of metal; enamelled glass, for building; jalousies, not of metal; pantiles, not of metal; railway sleepers, not of metal; prefabricated houses [kits], not of metal; road signs, non-luminous and non-mechanical, not of metal; non-luminous and non-mechanical signs, not of metal; outdoor blinds, not of metal and not of textile; insulating glass for building; cabanas, not of metal; paint spraying booths, not of metal; stone; coal tar; framework, not of metal, for building; greenhouse frames, not of metal; cornices, not of metal; paperboard for building; wood pulp board for building; quartz; sandstone pipes; caissons for construction work under water; drain traps [valves], not of metal or plastic; water-pipe valves, not of metal or plastic; clinker ballast; skating rinks [structures], not of metal; chimney pots, not of metal; pillars, not of metal, for building; bicycle parking installations, not of metal; agglomerated cork for building; raw chalk; silica [quartz]; man-hole covers, not of metal; rock crystal; brackets, not of metal, for building; xylolith; chicken-houses, not of metal; angle irons, not of metal; foundry molds, not of

metal; plate glass [windows] for building; building timber; manufactured timber; sawn timber; magnesia cement; macadam; marble; materials for making and coating roads; linings, not of metal, for building; wall linings, not of metal, for building; cladding, not of metal, for building; wall claddings, not of metal, for building; road coating materials; memorial plaques, not of metal; mosaics for building; tombs, not of metal; gravestones; tombs [monuments], not of metal; grave slabs, not of metal; tombstone stelae, not of metal; flashing, not of metal, for building; penstock pipes, not of metal; duckboards, not of metal; wainscoting, not of metal; fences, not of metal; tomb or grave enclosures, not of metal; olivine for building; shuttering, not of metal, for concrete; reeds for building; monuments, not of metal; building panels, not of metal; parquet flooring; parquet floor boards; branching pipes, not of metal; partitions, not of metal; lintels, not of metal; scantlings [carpentry]; porches [structures], not of metal; floors, not of metal; props, not of metal; aquarium sand; sand, except foundry sand; sandstone for building; floating docks, not of metal, for mooring boats; planks of wood for building; plastic landscape edgings; platforms, prefabricated, not of metal; rocket launching platforms, not of metal; slabs, not of metal, for building; road marking sheets and strips of synthetic material; tiles, not of metal, for building; floor tiles, not of metal; tile floorings, not of metal; felt for building; busts of stone, concrete or marble; stringers [parts of staircases], not of metal; coatings [building materials]; roofing tiles, not of metal; roofing shingles; roofing slates; roofing, not of metal; roof flashing, not of metal; roofing, not of metal, incorporating photovoltaic cells; fireplace mantles, not of metal; joists, not of metal; sills, not of metal; porphyry [stone]; letter boxes of masonry; tarred strips for building; tar; scaffolding, not of metal; mortar for building; fair huts; pigsties, not of metal; luminous paving blocks; signalling panels, non-luminous and non-mechanical, not of metal; silos, not of metal; perches; laths, not of metal; insect screens, not of metal; burial vaults, not of metal; glass granules for road marking; slate; slate powder; pitch; silver sand; statues of stone, concrete or marble; ceilings, not of metal; stables, not of metal; wall tiles, not of metal; posts, not of metal; posts, not of metal, for power lines; poles, not of metal, for power lines; casement windows, not of metal; folding doors, not of metal; staircases, not of metal; stair-treads [steps], not of metal; tombstone plaques, not of metal; works of art of stone, concrete or marble; telegraph posts, not of metal; telephone booths, not of metal; greenhouses, transportable, not of metal; terra cotta [building material]; diving boards, not of metal; rigid pipes, not of metal, for building; ducts, not of metal, for ventilating and air-conditioning installations; advertisement columns, not of metal; mooring bollards, not of metal; turnstiles, not of metal; tufa; plywood; veneer wood; statuettes of stone, concrete or marble; flagpoles [struc-

tures], not of metal; mouldable wood; bricks; cement for blast furnaces; cement for furnaces; cement; cement slabs; cement posts; palings, not of metal; schists; slag [building material]; slag stone; clinker stone; sheet piles, not of metal; plaster; artificial stone; masts [poles], not of metal.

22 – Carded wool; raw cotton; cotton tow; cotton waste [flock] for padding and stuffing; tarpaulins; wadding for padding and stuffing upholstery; wadding for filtering; camel hair; sails; sails for ski sailing; raw or treated wool; wool flock; raffia; ramie fibre; esparto grass; raw fibrous textile; carbon fibers for textile use; hammocks; wood wool; wood shavings; jute; wax ends; net pens for fish farming; outdoor blinds of textile; combed wool; cables, not of metal; kapok; horsehair; tow; cocoons; coconut fiber; hemp fibres; hemp bands; liber; raw linen [flax]; sacks for the transport and storage of materials in bulk; body bags; bags for washing hosiery; seaweed for stuffing; string; packing string; whipcord; rope ladders; upholstery wool [stuffing]; padding materials, not of rubber, plastics, paper or cardboard; awnings of synthetic materials; awnings of textile; tents; purse seines; schappe [raw silk waste]; silk waste; sheaf-binding yarns; thread, not of metal, for wrapping or binding; bindings, not of metal; shorn wool; packing [cushioning, stuffing] materials, not of rubber, plastics, paper or cardboard; wrapping or binding bands, not of metal; twine made of paper; canvas for sails; snares [nets]; flock [stuffing]; binding thread, not of metal, for agricultural purposes; feathers for stuffing upholstery; feathers for bedding; plastic fibers for textile use; network; mail bags; fibrous gaskets for ships; brattice cloth; down [feathers]; linters; eiderdown; fishing nets; fleece wool; sisal; animal feeding nets; nets for camouflage; nets; glass fibers for textile use; vitreous silica fibers for textile use; braces, not of metal, for handling loads; harness, not of metal, for handling loads; strips for tying-up vines; straps, not of metal, for handling loads; belts, not of metal, for handling loads; straw for stuffing upholstery; straw wrappers for bottles; packing, of straw, for bottles; ladder tapes for Venetian blinds; slings, not of metal, for handling loads; bags [envelopes, pouches] of textile, for packaging; animal hair; textile fibers; sawdust; grasses for upholstering; car towing ropes; packing rope; ropes; vehicle covers, not fitted; covers for camouflage; cords for hanging pictures; sash cords; twine for nets; silk flock; raw silk; pig bristles.

35 – Administrative processing of purchase orders; administration of consumer loyalty programs; administration of frequent flyer programs; cost price analysis; business auditing; auctioneering; outsourced administrative management for companies; book-keeping; web indexing for commercial or advertising purposes; negotiation of business contracts for others; market studies; opinion polling; invoicing; arranging newspaper subscriptions for others; arranging subs-

criptions to telecommunication services for others; payroll preparation; tax preparation; demonstration of goods; business inquiries; business management assistance; commercial or industrial management assistance; advisory services for business management; business research; economic forecasting; providing business information via a web site; compilation of information into computer databases; compilation of statistics; providing business information; business management of performing artists; business management for freelance service providers; business management of hotels; business management of sports people; business management of reimbursement programmes for others; providing commercial information and advice for consumers in the choice of products and services; commercial administration of the licensing of the goods and services of others; computerized file management; personnel management consultancy; business management consultancy; consultancy regarding public relations communication strategies; consultancy regarding advertising communication strategies; business organization consultancy; marketing; marketing research; typing; providing commercial and business contact information; provision of an on-line marketplace for buyers and sellers of goods and services; writing of curriculum vitae for others; writing of resumes for others; writing of publicity texts; scriptwriting for advertising purposes; word processing; updating of advertising material; updating and maintenance of data in computer databases; updating and maintenance of information in registries; web site traffic optimization; organization of exhibitions for commercial or advertising purposes; organization of fashion shows for promotional purposes; organization of trade fairs for commercial or advertising purposes; rental of advertising space; shop window dressing; business appraisals; personnel recruitment; business management and organization consultancy; business intermediary services relating to the matching of potential private investors with entrepreneurs needing funding; commercial information agency services; employment agency services; business efficiency expert services; outsourcing services [business assistance]; business project management services for construction projects; commercial intermediation services; layout services for advertising purposes; appointment reminder services [office functions]; news clipping services; price comparison services; procurement services for others [purchasing goods and services for other businesses]; administrative services for the relocation of businesses; photocopying services; appointment scheduling services [office functions]; tax filing services; import-export agency services; modelling for advertising or sales promotion; advertising agency services; secretarial services; public relations; retail or wholesale services of the aforementioned goods, namely plugs of metal, water-pipe valves of metal, manifolds of metal for pipelines, elbows of metal for pipes, brass, unwrought or semi-wrought, ducts of metal, for

central heating installations, pipes of metal, fittings of metal for compressed air lines, flanges of metal [collars], collars of metal for fastening pipes, reduction gears, other than for land vehicles, pressure reducers [parts of machines], expanders [hand tools], hand tools, hand-operated, tube cutters [hand tools], measuring instruments, measuring apparatus, pressure indicators, manometers, underfloor heating apparatus and installations, water conduits installations, pipes [parts of sanitary installations], water supply installations, water flushing installations, air valves for steam heating installations, taps for pipes and pipelines, taps, heating installations [water], heating installations, central heating radiators, regulating accessories for water or gas apparatus and pipes, thermostatic valves [parts of heating installations], pipes [parts of sanitary installations], boiler pipes [tubes] for heating installations, junctions, not of metal, for pipes, insulating materials, pipe muffs, not of metal, packing [cushioning, stuffing] materials of rubber or plastics, fittings, not of metal, for flexible pipes, fittings, not of metal, for rigid pipes, fittings, not of metal, for compressed air lines, water-pipes, not of metal, water-pipe valves, not of metal or plastic, packing string, thread, not of metal, for wrapping or binding; data search in computer files for others; sponsorship search; search engine optimization for sales promotion; presentation of goods on communication media, for retail purposes; rental of billboards [advertising boards]; office machines and equipment rental; publicity material rental; rental of advertising time on communication media; rental of vending machines; rental of sales stands; rental of photocopying machines; direct mail advertising; psychological testing for the selection of personnel; publication of publicity texts; radio advertising; registration of written communications and data; advertising; pay per click advertising; outdoor advertising; billposting; advertising by mail order; on-line advertising on a computer network; document reproduction; distribution of samples; dissemination of advertising matter; development of advertising concepts; business investigations; systemization of information into computer databases; drawing up of statements of accounts; compiling indexes of information for commercial or advertising purposes; sales promotion for others; production of teleshopping programmes; production of advertising films; shorthand; transcription of communications [office functions]; television advertising; telemarketing services; negotiation and conclusion of commercial transactions for third parties; professional business consultancy.

(260) AM 2021 108720 A

(800) 1536411

(151) 2020 05 14

(891) 2020 05 14

(731) Guangzhou GTD Culture & Technology Group Co., Ltd.
No. 27 Fuyuan Yi Road, Xinya Street, Huadu District, Guangzhou City, Guangdong Province, China

(540)

TUNGDOU

(591) Black, white

(531) 27.05.17

(511)

11 – Stage lamps and lanterns; lamps; lighting apparatus and installations; light diffusers; discharge tubes, electric, for lighting; lamp shades; luminous tubes for lighting; searchlights.

(260) AM 2021 108721 A

(800) 1536450

(151) 2020 04 28

(891) 2020 04 28

(731) LTD "VALENTA-INTELLEKT"
ul. Ryabinovaya, d. 26, str. 10, k.6-26,
RU-121471 Moscow, Russian Federation

(540)

НАНОТРОПИЛ

(591) Blue, azure and turquoise light-green

(531) 27.05.01; 28.05; 29.01.13

(511)

5 – Acaricides; aconitine; alkaloids for medical purposes; alginates for pharmaceutical purposes; algicides; aldehydes for pharmaceutical purposes; dental amalgams of gold; dental amalgams; amino acids for veterinary purposes; amino acids for medical purposes; analgesics; anaesthetics; antibiotics; antidepressants; anti-oxidants for use as dietary supplements; antiseptics; medicine cases, portable, filled; first-aid boxes, filled; aluminium acetate for pharmaceutical purposes; acetates for pharmaceutical purposes; germicides; balms for medical purposes; bandages for dressings; diagnostic biomarker reagents for medical purposes; biocides; bracelets impregnated with insect repellent; bromine for pharmaceutical purposes; paper for mustard plasters; fly catching paper; reagent paper for veterinary purposes; reagent paper for medical purposes; mothproofing paper; petroleum jelly for medical purposes; vaccines; oxygen baths; antiseptic cotton; aseptic cotton; absorbent cotton; wadding for medical purposes; cotton for medical purposes; dietetic substances adapted for medical use; radiological contrast substances for medical purposes; nutritive substances for microorganisms; radioactive substances for medical purposes; bismuth subnitrate for phar-

maceutical purposes; melissa water for pharmaceutical purposes; sea water for medicinal bathing; mineral waters for medical purposes; thermal water; dietary fiber, including for treating constipation; molding wax for dentists; gases for medical purposes; guaiacol for pharmaceutical purposes; sexual stimulant gels; hematogen; hemoglobin; hydrastine; hydrastinine; glycerine for medical purposes; glycerophosphates; glucose for medical purposes; gentian for pharmaceutical purposes; hormones for medical purposes; mustard for pharmaceutical purposes; mustard plasters; mud for baths; medicinal mud; gamboge for medical purposes; gurjun balsam for medical purposes; disinfectants; deodorants, other than for human beings or for animals; air deodorising preparations; deodorants for clothing and textiles; diastase for medical purposes; digitalin; vitamin supplement patches; mineral food supplements; dietary and nutritional supplements; albumin dietary supplements; dietary supplements for animals; yeast dietary supplements; alginate dietary supplements; glucose dietary supplements; casein dietary supplements; lecithin dietary supplements; linseed oil dietary supplements; propolis dietary supplements; protein dietary supplements; protein supplements for animals; royal jelly dietary supplements; pollen dietary supplements; wheat germ dietary supplements; linseed dietary supplements; acai powder dietary supplements; dietary supplements with a cosmetic effect; enzyme dietary supplements; yeast for pharmaceutical purposes; gelatine for medical purposes; cod liver oil; isotopes for medical purposes; immunostimulants; insecticides; iodine for pharmaceutical purposes; iodides for pharmaceutical purposes; alkaline iodides for pharmaceutical purposes; iodoform; calomel [fungicide]; cream of tartar for pharmaceutical purposes; tartar for pharmaceutical purposes; camphor for medical purposes; capsules for medicines; cachets for pharmaceutical purposes; capsules made of dendrimer-based polymers, for pharmaceuticals; hemostatic pencils; wart pencils; caustic pencils; carbolineum [parasiticide]; caustics for pharmaceutical purposes; cachou for pharmaceutical purposes; quassia for medical purposes; quebracho for medical purposes; oxygen for medical purposes; gallic acid for pharmaceutical purposes; acids for pharmaceutical purposes; adhesives for dentures; surgical glues; stem cells for veterinary purposes; stem cells for medical purposes; cocaine; collagen for medical purposes; collodion for pharmaceutical purposes; corn rings for the feet; medicated sweets; angostura bark for medical purposes; barks for pharmaceutical purposes; cedar wood for use as an insect repellent; condurango bark for medical purposes; croton bark; mangrove bark for pharmaceutical purposes; myrobalan bark for pharmaceutical purposes; quinquina for medical purposes; medicated animal feed; medicinal roots; rhubarb roots for pharmaceutical purposes; lint for medical purposes; starch for dietetic or pharmaceutical purposes; creosote for pharmaceutical purposes; blood for medi-

cal purposes; cultures of microorganisms for medical or veterinary use; curare; dental lacquer; liquorice for pharmaceutical purposes; lactose for pharmaceutical purposes; candy for medical purposes; adhesive plasters; medicines for alleviating constipation; adhesive tapes for medical purposes; lecithin for medical purposes; lotions for veterinary purposes; medicated hair lotions; lotions for pharmaceutical purposes; medicated after-shave lotions; personal sexual lubricants; lupulin for pharmaceutical purposes; magnesia for pharmaceutical purposes; liniments; frostbite salve for pharmaceutical purposes; ointments for pharmaceutical purposes; sunburn ointments; mercurial ointments; gauze for dressings; medicinal oils; mustard oil for medical purposes; camphor oil for medical purposes; castor oil for medical purposes; oil of turpentine for pharmaceutical purposes; dill oil for medical purposes; dental mastics; dental abrasives; dental impression materials; teeth filling material; dressings, medical; surgical dressings; drugs for medical purposes; medicines for veterinary purposes; serotherapeutic medicines; medicines for human purposes; medicines for dental purposes; menthol; medicinal drinks; moleskin for medical purposes; almond milk for pharmaceutical purposes; powdered milk for babies; royal jelly for pharmaceutical purposes; milk ferments for pharmaceutical purposes; Irish moss for medical purposes; flour for pharmaceutical purposes; linseed meal for pharmaceutical purposes; fish meal for pharmaceutical purposes; fly glue; antibacterial soap; disinfectant soap; medicated soap; freeze-dried meat adapted for medical purposes; mint for pharmaceutical purposes; dietetic beverages adapted for medical purposes; malted milk beverages for medical purposes; injectable dermal fillers; narcotics; medicinal infusions; tincture of iodine; eucalyptol for pharmaceutical purposes; tinctures for medical purposes; nootropics; opium; opodeldoc; decoctions for pharmaceutical purposes; antiparasitic collars for animals; cotton sticks for medical purposes; stick liquorice for pharmaceutical purposes; sulfur sticks [disinfectants]; pastilles for pharmaceutical purposes; medicated dentifrices; pectin for pharmaceutical purposes; pepsins for pharmaceutical purposes; peptones for pharmaceutical purposes; hydrogen peroxide for medical purposes; pesticides; food for babies; leeches for medical purposes; blood plasma; nicotine patches for use as aids to stop smoking; eyepatches for medical purposes; poultices; compresses; scapulars for surgical purposes; babies' diapers; diapers for pets; diapers for incontinence; breast-nursing pads; bunion pads; pomades for medical purposes; powder of cantharides; pyrethrum powder; chilblain preparations; mothproofing preparations; anti-uric preparations; bacterial preparations for medical and veterinary use; bacteriological preparations for medical and veterinary use; balsamic preparations for medical purposes; albuminous preparations for medical purposes; biological preparations for veterinary purposes; biological preparations for

medical purposes; veterinary preparations; veterinary preparations for treatment of intestinal bacteria; bismuth preparations for pharmaceutical purposes; vitamin preparations; diagnostic preparations for veterinary purposes; diagnostic preparations for medical purposes; douching preparations for medical purposes; bath preparations for medical purposes; therapeutic preparations for the bath; pharmaceutical preparations for memory consolidation; hemorrhoid preparations; preparations for callouses; lice treatment preparations [pediculicides]; cardiovascular treatment preparations; acne treatment preparations; preparations for alcohol addiction; preparations to facilitate teething; preparations for the treatment of burns; fumigation preparations for medical purposes; opotherapy preparations; air purifying preparations; preparations for improving physical and mental performance, stress tolerance; preparations for hypoxia prophylaxis; bronchodilating preparations; preparations for reducing sexual activity; sterilising preparations; soil-sterilising preparations; corn remedies; pharmaceutical preparations for treating dandruff; preparations for destroying noxious animals; herbicides; preparations for destroying dry rot fungus; larvae exterminating preparations; fly destroying preparations; preparations for destroying mice; slug exterminating preparations; vermin destroying preparations; pharmaceutical preparations for skin care; contact lens cleaning preparations; lime-based pharmaceutical preparations; preparations of microorganisms for medical or veterinary use; styptic preparations; medicated eye-washes; medicinal hair growth preparations; fonturacetam-based preparations; nutraceutical preparations for therapeutic or medical purposes; opiates; preparations for obesity; anticryptogamic preparations; aloe vera preparations for pharmaceutical purposes; preparations of trace elements for human and animal use; purgative preparations; central nervous system stimulants; sulfonamides [medicines]; pharmaceutical preparations for the treatment of digestive diseases; pharmaceutical preparations for the treatment of cardiovascular diseases; pharmaceutical preparations for treating sunburn; pharmaceutical preparations for the treatment of central nervous system [CNS] diseases; pharmaceutical preparations for the central nervous system; enzyme preparations for veterinary purposes; enzyme preparations for medical purposes; phytotherapy preparations for medical purposes; chemico-pharmaceutical preparations; chemical preparations for veterinary purposes; chemical preparations for the diagnosis of pregnancy; chemical preparations for medical purposes; chemical preparations for treating diseases affecting cereal plants; chemical preparations for treating wheat blight; chemical preparations for treating diseases affecting vine plants; chemical preparations for treating mildew; chemical preparations for treating phylloxera; chemical preparations for pharmaceutical purposes; collyrium; lead water; probiotic preparations for medical purposes to help maintain a natural balance of

flora in the digestive system; chemical conductors for electrocardiograph electrodes; albuminous foodstuffs for medical purposes; dietetic foods adapted for medical purposes; by-products of the processing of cereals for dietetic or medical purposes; homogenized food adapted for medical purposes; freeze-dried food adapted for medical purposes; pharmaceuticals; sanitary towels; panty liners [sanitary]; propolis for pharmaceutical purposes; anticonvulsants; pearl powder for medical purposes; radium for medical purposes; solvents for removing adhesive plasters; hydrated chloral for pharmaceutical purposes; vaginal washes for medical purposes; solutions for contact lenses; chemical reagents for medical or veterinary purposes; gum for medical purposes; rubber for dental purposes; chewing gum for medical purposes; nicotine gum for use as an aid to stop smoking; insect repellents; insect repellent incense; repellents for dogs; tissues impregnated with pharmaceutical lotions; sarsaparilla for medical purposes; sugar for medical purposes; asthmatic tea; fumigating sticks; massage candles for therapeutic purposes; suppositories; linseed for pharmaceutical purposes; tobacco-free cigarettes for medical purposes; siccatives [drying agents] for medical purposes; syrups for pharmaceutical purposes; turpentine for pharmaceutical purposes; milking grease; greases for veterinary purposes; greases for medical purposes; lacteal flour for babies; infant formula; soporifics; bicarbonate of soda for pharmaceutical purposes; mineral water salts; bath salts for medical purposes; salts for mineral water baths; salts for medical purposes; potassium salts for medical purposes; sodium salts for medical purposes; smelling salts; malt for pharmaceutical purposes; semen for artificial insemination; alcohol for pharmaceutical purposes; medicinal alcohol; alloys of precious metals for dental purposes; ergot for pharmaceutical purposes; cooling sprays for medical purposes; digestives for pharmaceutical purposes; nervines; antibacterial handwashes; adjuvants for medical purposes; astringents for medical purposes; vermifuges; disinfectants for hygiene purposes; disinfectants for chemical toilets; appetite suppressants for medical purposes; medical preparations for slimming purposes; parasiticides; mouthwashes for medical purposes; febrifuges; depuratives; animal washes [insecticides]; detergents for medical purposes; cattle washes [insecticides]; dog washes [insecticides]; insecticidal veterinary washes; vesicants; purgatives; chemical contraceptives; antiparasitic preparations; remedies for perspiration; remedies for foot perspiration; psychotropics; sedatives; laxatives; tonics [medicines]; medicated toiletry preparations; media for bacteriological cultures; steroids; strychnine; serums; antioxidant pills; tanning pills; appetite suppressant pills; slimming pills; jujube, medicated; sanitary tampons; vulnerary sponges; thymol for pharmaceutical purposes; biological tissue cultures for veterinary purposes; biological tissue cultures for medical purposes; smoking herbs for medical purposes; medicinal herbs;

transplants [living tissues]; surgical implants comprised of living tissues; babies' diaper-pants; pants, absorbent, for incontinence; sanitary panties; charcoal for pharmaceutical purposes; fennel for medical purposes; porcelain for dental prostheses; phenol for pharmaceutical purposes; enzymes for veterinary purposes; enzymes for medical purposes; ferments for pharmaceutical purposes; formic aldehyde for pharmaceutical purposes; phosphates for pharmaceutical purposes; fungicides; quinine for medical purposes; chinoline for medical purposes; diabetic bread adapted for medical use; chloroform; flowers of sulfur for pharmaceutical purposes; cement for animal hooves; bone cement for surgical and orthopaedic purposes; dental cements; medicinal tea; herbal teas for medicinal purposes; insecticidal animal shampoos; medicated shampoos; medicated shampoos for pets; pediculicidal shampoos; medicated dry shampoos; pre-filled syringes for medical purposes; eucalyptus for pharmaceutical purposes; herbal extracts for medical purposes; plant extracts for pharmaceutical purposes; tobacco extracts [insecticides]; extracts of hops for pharmaceutical purposes; elixirs [pharmaceutical preparations]; ethers for pharmaceutical purposes; esters for pharmaceutical purposes; cellulose esters for pharmaceutical purposes; cellulose ethers for pharmaceutical purposes; rat poison; poisons; bacterial poisons; jalap.

(260) AM 2021 108727 A

(800) 1536719

(151) 2020 05 14

(891) 2020 05 14

(731) QINGDAO GRIP TYRE CO., LTD.

11-3B Area Consists of Five Layers, No.34,
Shanghai Road, Bonded Area, Qingdao City,
Shandong Province, China

(540)

ROADGRIP

(591) Black, white

(531) 27.05.01

(511)

12 – Pneumatic tires; inner tubes for pneumatic tires; treads for retreading tires; tires (for vehicle wheels); automobile tires; solid tires for vehicle wheels; bicycle and tricycle tires.

(260) AM 2021 108796 A

(800) 1537034

(151) 2020 05 19

(891) 2020 05 19

(731) Incyte Holdings Corporation

1801 Augustine Cut-Off, Wilmington DE
19803, USA

(540)

ZYNYZ

(591) Black, white
 (511)
 5 – Pharmaceutical preparations for the prevention and treatment of cancer.

44 – Providing a website to patients and healthcare professionals containing healthcare information regarding diseases, diagnosis and treatment of diseases.

(260) AM 2021 108797 A

(800) 1537059

(151) 2020 04 29

(891) 2020 04 29

(731) "FARSH CITY GROUP" Limited Liability

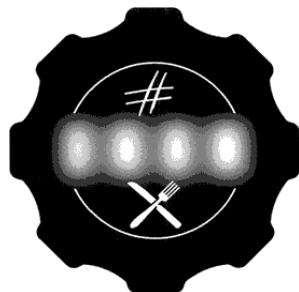
Company

2-ya Zvenigorodskaya street, 13, building 43,

7th floor, block XI, room 2, RU-123022

Moscow, Russian Federation

(540)



(591) Black, white

(531) 11.01.03; 11.01.04; 15.07.15; 24.17.25;
 26.11.12

(511)

43 – Snack-bar services; café services; cafeteria services; restaurant services, including meat restaurants and burger restaurants; self-service restaurant services; bar services; food and drink catering.

(260) AM 2021 108803 A

(800) 1537279

(151) 2020 04 21

(891) 2020 04 21

(731) Alpen Pharma AG

Casinoplatz 2, CH-3011 Bern, Switzerland

(540)

COLDISEPT

(591) Black, white

(511)

10 – Surgical, medical, dental and veterinary apparatus and instruments; artificial limbs, eyes and teeth; orthopedic articles; suture material; therapeutic and assistance devices designed for people with disabilities; massage apparatus; apparatus, devices and articles for child care; apparatus, devices and articles for sexual activities.

(260) AM 2021 108804 A

(800) 1537327

(151) 2020 03 30

(891) 2020 03 30

(731) OBSHCHESTVO S OGRANICHENNOY OTVETSTVENNOSTYU "NPO Petrovaks Farm"

yl. Sosnovaya, d. 1, s. Pokrov, g. Podolsk,

RU-142143 Moscow region, Russian

Federation

(540)



(591) Black, white

(531) 26.07.04; 27.05.22

(511)

3 – Abrasives; amber [perfume]; descaling preparations for household purposes; antistatic preparations for household purposes; aromatics [essential oils]; air fragrancing preparations; cake flavorings [essential oils]; flavorings for beverages [essential oils]; food flavorings [essential oils]; breath freshening sprays; canned pressurized air for cleaning and dusting purposes; balms, other than for medical purposes; basma [cosmetic dye]; lip glosses; polishing stones; abrasive paper; emery paper; polishing paper; petroleum jelly for cosmetic purposes; shoe polish; cobblers' wax; cotton wool for cosmetic purposes; sachets for perfuming linen; drying agents for dishwashing machines; adhesives for cosmetic purposes; scented water; Javelle water; lavender water; toilet water; wax for parquet floors; floor wax; non-slipping wax for floors; depilatory wax; mustache wax; tailors' wax; creams for leather; polish for furniture and flooring; shoemakers' wax; polishing wax; massage gels, other than for medical purposes; heliotropine; dental bleaching gels; geraniol; make-up; deodorants for pets; depilatory preparations; air fragrance reed diffusers; scented wood; perfumes; non-slipping liquids for floors; windshield cleaning liquids; greases for cosmetic purposes; volcanic ash for cleaning; perfumery; decorative transfers for cosmetic purposes; ionone [perfumery]; shaving stones [astringents]; smoothing stones; eyebrow pencils; cosmetic pencils; silicon carbide [abrasive]; carbides of metal [abrasives]; alum stones [astringents]; tripoli stone for polishing; adhesives for affixing false eyelashes; adhesives for affixing false hair; hair conditioners; quillaia bark for washing; corundum [abrasive]; beard dyes; colorants for toilet purposes; cosmetic dyes; laundry starch; laundry glaze; shoe cream; polishing creams; cosmetic creams; skin whitening creams; polishing rouge; incense; hair spray; nail polish; hair

lotions; lotions for cosmetic purposes; after-shave lotions; beauty masks; oils for perfumes and scents; oils for cosmetic purposes; oils for toilet purposes; essential oils; essential oils of cedarwood; essential oils of lemon; essential oils of citron; oils for cleaning purposes; bergamot oil; gaultheria oil; jasmine oil; lavender oil; almond oil; rose oil; oil of turpentine for degreasing; whitening; cleaning chalk; almond milk for cosmetic purposes; cleansing milk for toilet purposes; musk [perfumery]; soap; deodorant soap; shaving soap; soap for brightening textile; cakes of toilet soap; antiperspirant soap; soap for foot perspiration; almond soap; mint for perfumery; cosmetic kits; emery; nail art stickers; false nails; eau de Cologne; bases for flower perfumes; joss sticks; pastes for razor strops; dentifrices; pumice stone; lipstick cases; hydrogen peroxide for cosmetic purposes; breath freshening strips; teeth whitening strips; abrasive cloth; glass cloth [abrasive cloth]; lipsticks; pomades for cosmetic purposes; shaving preparations; cosmetic preparations for baths; bath preparations, not for medical purposes; hair straightening preparations; hair waving preparations; laundry soaking preparations; grinding preparations; smoothing preparations [starching]; color-removing preparations; leather bleaching preparations; polishing preparations; denture polishes; mouthwashes, not for medical purposes; cosmetic preparations for slimming purposes; starch glaze for laundry purposes; preparations to make the leaves of plants shiny; eye-washes, not for medical purposes; fabric softeners for laundry use; laundry bleach; dry-cleaning preparations; paint stripping preparations; lacquer-removing preparations; make-up removing preparations; floor wax removers [scouring preparations]; varnish-removing preparations; rust removing preparations; nail care preparations; cleaning preparations; preparations for cleaning dentures; wallpaper cleaning preparations; preparations for unblocking drain pipes; chemical cleaning preparations for household purposes; collagen preparations for cosmetic purposes; bleaching preparations [decolorants] for household purposes; laundry preparations; aloe vera preparations for cosmetic purposes; sunscreen preparations; color-brightening chemicals for household purposes [laundry]; breath freshening preparations for personal hygiene; shining preparations [polish]; make-up powder; diamantine [abrasive]; stain removers; nail varnish removers; vaginal washes for personal sanitary or deodorant purposes; scouring solutions; false eyelashes; baby wipes impregnated with cleaning preparations; tissues impregnated with cosmetic lotions; tissues impregnated with make-up removing preparations; safrol; massage candles for cosmetic purposes; laundry blueing; turpentine for degreasing; potpourris [fragrances]; bleaching soda; bath salts, not for medical purposes; bleaching salts; fumigation preparations [perfumes]; preservatives for leather [polishes]; ammonia [volatile alkali] [detergent]; astringents for cosmetic purposes; eyebrow cosmetics; make-up preparations; sun-tanning preparati-

ons [cosmetics]; hair dyes; neutralizers for permanent waving; cosmetic preparations for eyelashes; cosmetic preparations for skin care; shoe wax; cosmetics; cosmetics for children; cosmetics for animals; mascara; cleansers for intimate personal hygiene purposes, non medicated; douching preparations for personal sanitary or deodorant purposes [toiletries]; detergents, other than for use in manufacturing operations and for medical purposes; degreasers, other than for use in manufacturing processes; bleaching preparations [decolorants] for cosmetic purposes; toiletry preparations; antiperspirants [toiletries]; phytocosmetic preparations; talcum powder, for toilet use; cotton sticks for cosmetic purposes; terpenes [essential oils]; emery cloth; cloths impregnated with a detergent for cleaning; henna [cosmetic dye]; shampoos; shampoos for animals [non-medicated grooming preparations]; shampoos for pets [non-medicated grooming preparations]; dry shampoos; sandpaper; soda lye; herbal extracts for cosmetic purposes; extracts of flowers [perfumes]; ethereal essences; badian essence; mint essence [essential oil]; nail glitter; deodorants for human beings or for animals; gel eye patches for cosmetic purposes; washing soda, for cleaning.

5 – Acaricides; aconitine; alkaloids for medical purposes; alginates for pharmaceutical purposes; algicides; aldehydes for pharmaceutical purposes; dental amalgams of gold; dental amalgams; amino acids for veterinary purposes; amino acids for medical purposes; analgesics; anaesthetics; antibiotics; antiseptics; medicine cases, portable, filled; first-aid boxes, filled; aluminium acetate for pharmaceutical purposes; acetates for pharmaceutical purposes; germicides; balms for medical purposes; bandages for dressings; diagnostic biomarker reagents for medical purposes; biocides; bracelets impregnated with insect repellent; bromine for pharmaceutical purposes; paper for mustard plasters; fly catching paper; reagent paper for veterinary purposes; reagent paper for medical purposes; mothproofing paper; petroleum jelly for medical purposes; vaccines; oxygen baths; antiseptic cotton; aseptic cotton; absorbent cotton; wadding for medical purposes; cotton for medical purposes; dietetic substances adapted for medical use; radiological contrast substances for medical purposes; nutritive substances for microorganisms; radioactive substances for medical purposes; melissa water for pharmaceutical purposes; sea water for medicinal bathing; mineral waters for medical purposes; thermal water; dietary fiber; molding wax for dentists; gases for medical purposes; guaiacol for pharmaceutical purposes; sexual stimulant gels; hematogen; hemoglobin; hydrastine; hydrastinine; glycerine for medical purposes; glycerophosphates; glucose for medical purposes; gentian for pharmaceutical purposes; hormones for medical purposes; mustard for pharmaceutical purposes; mustard plasters; mud for baths; medicinal mud; gamboge for medical purposes; gurjun balsam for medical purpo-

ses; air deodorising preparations; deodorants, other than for human beings or for animals; deodorants for clothing and textiles; diastase for medical purposes; digitalin; vitamin supplement patches; mineral food supplements; nutritional supplements; albumin dietary supplements; dietary supplements for animals; yeast dietary supplements; alginate dietary supplements; glucose dietary supplements; casein dietary supplements; lecithin dietary supplements; linseed oil dietary supplements; propolis dietary supplements; protein dietary supplements; protein supplements for animals; royal jelly dietary supplements; pollen dietary supplements; wheat germ dietary supplements; linseed dietary supplements; acai powder dietary supplements; dietary supplements with a cosmetic effect; enzyme dietary supplements; yeast for pharmaceutical purposes; gelatine for medical purposes; cod liver oil; isotopes for medical purposes; immunostimulants; insecticides; iodine for pharmaceutical purposes; iodides for pharmaceutical purposes; alkaline iodides for pharmaceutical purposes; iodoform; calomel [fungicide]; tartar for pharmaceutical purposes; camphor for medical purposes; capsules for medicines; cachets for pharmaceutical purposes; capsules made of dendrimer-based polymers, for pharmaceuticals; hemostatic pencils; wart pencils; caustic pencils; carbolineum [parasiticide]; caustics for pharmaceutical purposes; cachou for pharmaceutical purposes; quassia for medical purposes; quebracho for medical purposes; oxygen for medical purposes; gallic acid for pharmaceutical purposes; acids for pharmaceutical purposes; adhesives for dentures; surgical glues; stem cells for veterinary purposes; stem cells for medical purposes; cocaine; collagen for medical purposes; collodion for pharmaceutical purposes; corn rings for the feet; barks for pharmaceutical purposes; cedar wood for use as an insect repellent; croton bark; mangrove bark for pharmaceutical purposes; myrobalan bark for pharmaceutical purposes; quinquina for medical purposes; medicated animal feed; medicinal roots; rhubarb roots for pharmaceutical purposes; lint for medical purposes; starch for dietetic or pharmaceutical purposes; creosote for pharmaceutical purposes; blood for medical purposes; cultures of microorganisms for medical or veterinary use; curare; dental lacquer; liquorice for pharmaceutical purposes; lactose for pharmaceutical purposes; medicated candies; adhesive plasters; medicines for alleviating constipation; lecithin for medical purposes; lotions for veterinary purposes; medicated hair lotions; lotions for pharmaceutical purposes; medicated after-shave lotions; personal sexual lubricants; lupulin for pharmaceutical purposes; magnesia for pharmaceutical purposes; liniments; ointments for pharmaceutical purposes; sunburn ointments; mercurial ointments; frostbite salve for pharmaceutical purposes; gauze for dressings; medicinal oils; mustard oil for medical purposes; camphor oil for medical purposes; castor oil for medical purposes; oil of turpentine for pharmaceutical purposes; dill oil for medical pur-

poses; dental mastics; dental abrasives; dental impression materials; teeth filling material; dressings, medical; surgical dressings; drugs for medical purposes; medicines for veterinary purposes; serotherapeutic medicines; medicines for human purposes; medicines for dental purposes; menthol; medicinal drinks; moleskin for medical purposes; almond milk for pharmaceutical purposes; powdered milk for babies; royal jelly for pharmaceutical purposes; milk ferments for pharmaceutical purposes; Irish moss for medical purposes; flour for pharmaceutical purposes; linseed meal for pharmaceutical purposes; fish meal for pharmaceutical purposes; fly glue; antibacterial soap; disinfectant soap; medicated soap; freeze-dried meat adapted for medical purposes; mint for pharmaceutical purposes; dietetic beverages adapted for medical purposes; malted milk beverages for medical purposes; narcotics; medicinal infusions; tincture of iodine; eucalyptol for pharmaceutical purposes; tinctures for medical purposes; opium; opodeldoc; decoctions for pharmaceutical purposes; antiparasitic collars for animals; stick liquorice for pharmaceutical purposes; sulfur sticks [disinfectants]; pastilles for pharmaceutical purposes; medicated dentifrices; pectin for pharmaceutical purposes; pepsins for pharmaceutical purposes; peptones for pharmaceutical purposes; hydrogen peroxide for medical purposes; pesticides; food for babies; leeches for medical purposes; blood plasma; nicotine patches for use as aids to stop smoking; eye-patches for medical purposes; poultices; compresses; scapulars for surgical purposes; diapers for pets; diapers for incontinence; bunion pads; breast-nursing pads; pomades for medical purposes; powder of cantharides; pyrethrum powder; anti-uric preparations; bacterial preparations for medical and veterinary use; bacteriological preparations for medical and veterinary use; balsamic preparations for medical purposes; albuminous preparations for medical purposes; biological preparations for veterinary purposes; biological preparations for medical purposes; veterinary preparations; bismuth preparations for pharmaceutical purposes; vitamin preparations; diagnostic preparations for medical purposes; bath preparations for medical purposes; therapeutic preparations for the bath; hemorrhoid preparations; preparations for callouses; lice treatment preparations [pediculicides]; acne treatment preparations; preparations to facilitate teething; preparations for the treatment of burns; fumigation preparations for medical purposes; opotherapy preparations; air purifying preparations; bronchodilating preparations; preparations for reducing sexual activity; sterilising preparations; soil-sterilising preparations; corn remedies; pharmaceutical preparations for treating dandruff; preparations for destroying noxious animals; herbicides; preparations for destroying dry rot fungus; larvae exterminating preparations; fly destroying preparations; preparations for destroying mice; slug exterminating preparations; vermin destroying preparations; pharmaceutical preparations for skin

care; contact lens cleaning preparations; preparations of microorganisms for medical or veterinary use; lime-based pharmaceutical preparations; haemostatic preparations; medicated eye-washes; medicinal hair growth preparations; nutraceutical preparations for therapeutic or medical purposes; opiates; anticryptogamic preparations; aloe vera preparations for pharmaceutical purposes; preparations of trace elements for human and animal use; sulfonamides [medicines]; pharmaceutical preparations; pharmaceutical preparations for treating sunburn; enzyme preparations for veterinary purposes; enzyme preparations for medical purposes; phytotherapy preparations for medical purposes; chemico-pharmaceutical preparations; chemical preparations for veterinary purposes; chemical preparations for the diagnosis of pregnancy; chemical preparations for medical purposes; chemical preparations for treating diseases affecting cereal plants; chemical preparations for treating wheat blight; chemical preparations for treating diseases affecting vine plants; chemical preparations for treating mildew; chemical preparations for treating phylloxera; chemical preparations for pharmaceutical purposes; chilblain preparations; mothproofing preparations; collyrium; lead water; chemical conductors for electrocardiograph electrodes; albuminous foodstuffs for medical purposes; dietetic foods adapted for medical purposes; by-products of the processing of cereals for dietetic or medical purposes; homogenized food adapted for medical purposes; pharmaceuticals; sanitary towels; panty liners [sanitary]; propolis for pharmaceutical purposes; pearl powder for medical purposes; radium for medical purposes; hydrated chloral for pharmaceutical purposes; solvents for removing adhesive plasters; vaginal washes for medical purposes; solutions for contact lenses; chemical reagents for medical or veterinary purposes; gum for medical purposes; rubber for dental purposes; chewing gum for medical purposes; nicotine gum for use as an aid to stop smoking; insect repellents; insect repellent incense; repellents for dogs; tissues impregnated with pharmaceutical lotions; sarsaparilla for medical purposes; sugar for medical purposes; asthmatic tea; fumigating sticks; massage candles for therapeutic purposes; suppositories; linseed for pharmaceutical purposes; tobacco-free cigarettes for medical purposes; siccatives [drying agents] for medical purposes; syrups for pharmaceutical purposes; turpentine for pharmaceutical purposes; greases for veterinary purposes; greases for medical purposes; lacteal flour for babies; infant formula; soporifics; bicarbonate of soda for pharmaceutical purposes; bath salts for medical purposes; salts for mineral water baths; salts for medical purposes; potassium salts for medical purposes; sodium salts for medical purposes; smelling salts; mineral water salts; malt for pharmaceutical purposes; semen for artificial insemination; alcohol for pharmaceutical purposes; medicinal alcohol; alloys of precious metals for dental

purposes; ergot for pharmaceutical purposes; cooling sprays for medical purposes; antibacterial handwashes; adjuvants for medical purposes; astringents for medical purposes; vermifuges; disinfectants; disinfectants for hygiene purposes; disinfectants for chemical toilets; appetite suppressants for medical purposes; medical preparations for slimming purposes; parasitocides; mouthwashes for medical purposes; febrifuges; depuratives; animal washes [insecticides]; detergents for medical purposes; cattle washes [insecticides]; dog washes [insecticides]; insecticidal veterinary washes; vesicants; purgatives; remedies for perspiration; remedies for foot perspiration; chemical contraceptives; antiparasitic preparations; sedatives; laxatives; tonics [medicines]; medicated toiletry preparations; digestives for pharmaceutical purposes; nervines; media for bacteriological cultures; steroids; strychnine; serums; tanning pills; appetite suppressant pills; slimming pills; jujube, medicated; antioxidant pills; sanitary tampons; vulnerary sponges; thymol for pharmaceutical purposes; biological tissue cultures for veterinary purposes; biological tissue cultures for medical purposes; smoking herbs for medical purposes; medicinal herbs; surgical implants comprised of living tissues; pants, absorbent, for incontinence; sanitary panties; charcoal for pharmaceutical purposes; porcelain for dental prostheses; phenol for pharmaceutical purposes; enzymes for veterinary purposes; enzymes for medical purposes; ferments for pharmaceutical purposes; formic aldehyde for pharmaceutical purposes; phosphates for pharmaceutical purposes; fungicides; quinine for medical purposes; chinoline for medical purposes; diabetic bread adapted for medical use; chloroform; flowers of sulfur for pharmaceutical purposes; cement for animal hooves; bone cement for surgical and orthopaedic purposes; dental cements; medicinal tea; herbal teas for medicinal purposes; insecticidal animal shampoos; medicated shampoos; medicated shampoos for pets; pediculicidal shampoos; medicated dry shampoos; pre-filled syringes for medical purposes; eucalyptus for pharmaceutical purposes; herbal extracts for medical purposes; plant extracts for pharmaceutical purposes; tobacco extracts [insecticides]; extracts of hops for pharmaceutical purposes; elixirs [pharmaceutical preparations]; ethers for pharmaceutical purposes; esters for pharmaceutical purposes; cellulose esters for pharmaceutical purposes; rat poison; poisons; bacterial poisons; jalap; bismuth subnitrate for pharmaceutical purposes; cream of tartar for pharmaceutical purposes; angostura bark for medical purposes; condurango bark for medical purposes; adhesive tapes for medical purposes; injectable dermal fillers; cotton sticks for medical purposes; babies' diapers; diagnostic preparations for veterinary purposes; douching preparations for medical purposes; milking grease; transplants [living tissues]; babies' diaper-pants; fennel for medical purposes; cellulose ethers for pharmaceutical purposes.

(260) AM 2021 108805 A

(800) 1537342

(151) 2020 03 30

(891) 2020 03 30

(731) OBSHCHESTVO S OGRANICHENNOY
OTVETSTVENNOSTYU "NPO Petrovaks
Farm"yl. Sosnovaya, d. 1, s. Pokrov, g. Podolsk,
RU-142143 Moscow region, Russian
Federation

(540)



(591) Blue and white

(531) 26.07.04; 27.05.22; 29.01.04

(511)

3 – Abrasives; amber [perfume]; descaling preparations for household purposes; antistatic preparations for household purposes; aromatics [essential oils]; air fragrancing preparations; cake flavorings [essential oils]; flavorings for beverages [essential oils]; food flavorings [essential oils]; breath freshening sprays; canned pressurized air for cleaning and dusting purposes; balms, other than for medical purposes; basma [cosmetic dye]; lip glosses; polishing stones; abrasive paper; emery paper; polishing paper; petroleum jelly for cosmetic purposes; shoe polish; cobblers' wax; cotton wool for cosmetic purposes; sachets for perfuming linen; drying agents for dishwashing machines; adhesives for cosmetic purposes; scented water; Javelle water; lavender water; toilet water; wax for parquet floors; floor wax; non-slipping wax for floors; depilatory wax; mustache wax; tailors' wax; creams for leather; polish for furniture and flooring; shoemakers' wax; polishing wax; massage gels, other than for medical purposes; heliotropine; dental bleaching gels; geraniol; make-up; deodorants for pets; depilatory preparations; air fragrance reed diffusers; scented wood; perfumes; non-slipping liquids for floors; windshield cleaning liquids; greases for cosmetic purposes; volcanic ash for cleaning; perfumery; decorative transfers for cosmetic purposes; ionone [perfumery]; shaving stones [astringents]; smoothing stones; eyebrow pencils; cosmetic pencils; silicon carbide [abrasive]; carbides of metal [abrasives]; alum stones [astringents]; tripoli stone for polishing; adhesives for affixing false eyelashes; adhesives for affixing false hair; hair conditioners; quillaia bark for washing; corundum [abrasive]; beard dyes; colorants for toilet purposes; cosmetic dyes; laundry starch; laundry glaze; shoe cream; polishing creams; cosmetic creams; skin whitening creams; polishing rouge; incense; hair spray; nail polish; hair

lotions; lotions for cosmetic purposes; after-shave lotions; beauty masks; oils for perfumes and scents; oils for cosmetic purposes; oils for toilet purposes; essential oils; essential oils of cedarwood; essential oils of lemon; essential oils of citron; oils for cleaning purposes; bergamot oil; gaultheria oil; jasmine oil; lavender oil; almond oil; rose oil; oil of turpentine for degreasing; whitening; cleaning chalk; almond milk for cosmetic purposes; cleansing milk for toilet purposes; musk [perfumery]; soap; deodorant soap; shaving soap; soap for brightening textile; cakes of toilet soap; antiperspirant soap; soap for foot perspiration; almond soap; mint for perfumery; cosmetic kits; emery; nail art stickers; false nails; eau de Cologne; bases for flower perfumes; joss sticks; pastes for razor strops; dentifrices; pumice stone; lipstick cases; hydrogen peroxide for cosmetic purposes; breath freshening strips; teeth whitening strips; abrasive cloth; glass cloth [abrasive cloth]; lipsticks; pomades for cosmetic purposes; shaving preparations; cosmetic preparations for baths; bath preparations, not for medical purposes; hair straightening preparations; hair waving preparations; laundry soaking preparations; grinding preparations; smoothing preparations [starching]; color-removing preparations; leather bleaching preparations; polishing preparations; denture polishes; mouthwashes, not for medical purposes; cosmetic preparations for slimming purposes; starch glaze for laundry purposes; preparations to make the leaves of plants shiny; eye-washes, not for medical purposes; fabric softeners for laundry use; laundry bleach; dry-cleaning preparations; paint stripping preparations; lacquer-removing preparations; make-up removing preparations; floor wax removers [scouring preparations]; varnish-removing preparations; rust removing preparations; nail care preparations; cleaning preparations; preparations for cleaning dentures; wallpaper cleaning preparations; preparations for unblocking drain pipes; chemical cleaning preparations for household purposes; collagen preparations for cosmetic purposes; bleaching preparations [decolorants] for household purposes; laundry preparations; aloe vera preparations for cosmetic purposes; sunscreen preparations; color-brightening chemicals for household purposes [laundry]; breath freshening preparations for personal hygiene; shining preparations [polish]; make-up powder; diamantine [abrasive]; stain removers; nail varnish removers; vaginal washes for personal sanitary or deodorant purposes; scouring solutions; false eyelashes; baby wipes impregnated with cleaning preparations; tissues impregnated with cosmetic lotions; tissues impregnated with make-up removing preparations; safrol; massage candles for cosmetic purposes; laundry blueing; turpentine for degreasing; potpourris [fragrances]; bleaching soda; bath salts, not for medical purposes; bleaching salts; fumigation preparations [perfumes]; preservatives for leather [polishes]; ammonia [volatile alkali] [detergent]; astringents for cosmetic purposes; eyebrow cosmetics; make-up preparations; sun-tanning

preparations [cosmetics]; hair dyes; neutralizers for permanent waving; cosmetic preparations for eyelashes; cosmetic preparations for skin care; shoe wax; cosmetics; cosmetics for children; cosmetics for animals; mascara; cleansers for intimate personal hygiene purposes, non medicated; douching preparations for personal sanitary or deodorant purposes [toilettries]; detergents, other than for use in manufacturing operations and for medical purposes; degreasers, other than for use in manufacturing processes; bleaching preparations [decolorants] for cosmetic purposes; toiletry preparations; antiperspirants [toilettries]; phyto-cosmetic preparations; talcum powder, for toilet use; cotton sticks for cosmetic purposes; terpenes [essential oils]; emery cloth; cloths impregnated with a detergent for cleaning; henna [cosmetic dye]; shampoos; shampoos for animals [non-medicated grooming preparations]; shampoos for pets [non-medicated grooming preparations]; dry shampoos; sandpaper; soda lye; herbal extracts for cosmetic purposes; extracts of flowers [perfumes]; ethereal essences; badian essence; mint essence [essential oil]; nail glitter; deodorants for human beings or for animals; gel eye patches for cosmetic purposes; washing soda, for cleaning.

5 – Acaricides; aconitine; alkaloids for medical purposes; alginates for pharmaceutical purposes; algicides; aldehydes for pharmaceutical purposes; dental amalgams of gold; dental amalgams; amino acids for veterinary purposes; amino acids for medical purposes; analgesics; anaesthetics; antibiotics; antiseptics; medicine cases, portable, filled; first-aid boxes, filled; aluminium acetate for pharmaceutical purposes; acetates for pharmaceutical purposes; germicides; balms for medical purposes; bandages for dressings; diagnostic biomarker reagents for medical purposes; biocides; bracelets impregnated with insect repellent; bromine for pharmaceutical purposes; paper for mustard plasters; fly catching paper; reagent paper for veterinary purposes; reagent paper for medical purposes; mothproofing paper; petroleum jelly for medical purposes; vaccines; oxygen baths; antiseptic cotton; aseptic cotton; absorbent cotton; wadding for medical purposes; cotton for medical purposes; dietetic substances adapted for medical use; radiological contrast substances for medical purposes; nutritive substances for microorganisms; radioactive substances for medical purposes; melissa water for pharmaceutical purposes; sea water for medicinal bathing; mineral waters for medical purposes; thermal water; dietary fiber; molding wax for dentists; gases for medical purposes; guaiacol for pharmaceutical purposes; sexual stimulant gels; hematogen; hemoglobin; hydrastine; hydrastinine; glycerine for medical purposes; glycerophosphates; glucose for medical purposes; gentian for pharmaceutical purposes; hormones for medical purposes; mustard for pharmaceutical purposes; mustard plasters; mud for baths; medicinal mud; gamboge for medical purposes; gurjun balsam for medical purposes;

air deodorising preparations; deodorants, other than for human beings or for animals; deodorants for clothing and textiles; diastase for medical purposes; digitalin; vitamin supplement patches; mineral food supplements; nutritional supplements; albumin dietary supplements; dietary supplements for animals; yeast dietary supplements; alginate dietary supplements; glucose dietary supplements; casein dietary supplements; lecithin dietary supplements; linseed oil dietary supplements; propolis dietary supplements; protein dietary supplements; protein supplements for animals; royal jelly dietary supplements; pollen dietary supplements; wheat germ dietary supplements; linseed dietary supplements; acai powder dietary supplements; dietary supplements with a cosmetic effect; enzyme dietary supplements; yeast for pharmaceutical purposes; gelatine for medical purposes; cod liver oil; isotopes for medical purposes; immunostimulants; insecticides; iodine for pharmaceutical purposes; iodides for pharmaceutical purposes; alkaline iodides for pharmaceutical purposes; iodoform; calomel [fungicide]; tartar for pharmaceutical purposes; camphor for medical purposes; capsules for medicines; cachets for pharmaceutical purposes; capsules made of dendrimer-based polymers, for pharmaceuticals; hemostatic pencils; wart pencils; caustic pencils; carbolineum [parasiticide]; caustics for pharmaceutical purposes; cachou for pharmaceutical purposes; quassia for medical purposes; quebracho for medical purposes; oxygen for medical purposes; gallic acid for pharmaceutical purposes; acids for pharmaceutical purposes; adhesives for dentures; surgical glues; stem cells for veterinary purposes; stem cells for medical purposes; cocaine; collagen for medical purposes; collodion for pharmaceutical purposes; corn rings for the feet; barks for pharmaceutical purposes; cedar wood for use as an insect repellent; croton bark; mangrove bark for pharmaceutical purposes; myrobalan bark for pharmaceutical purposes; quinquina for medical purposes; medicated animal feed; medicinal roots; rhubarb roots for pharmaceutical purposes; lint for medical purposes; starch for dietetic or pharmaceutical purposes; creosote for pharmaceutical purposes; blood for medical purposes; cultures of microorganisms for medical or veterinary use; curare; dental lacquer; liquorice for pharmaceutical purposes; lactose for pharmaceutical purposes; medicated candies; adhesive plasters; medicines for alleviating constipation; lecithin for medical purposes; lotions for veterinary purposes; medicated hair lotions; lotions for pharmaceutical purposes; medicated after-shave lotions; personal sexual lubricants; lupulin for pharmaceutical purposes; magnesia for pharmaceutical purposes; liniments; ointments for pharmaceutical purposes; sunburn ointments; mercurial ointments; frostbite salve for pharmaceutical purposes; gauze for dressings; medicinal oils; mustard oil for medical purposes; camphor oil for medical purposes; castor oil for medical purposes; oil of turpentine for pharmaceutical purposes; dill oil for medical purposes;

ses; dental mastics; dental abrasives; dental impression materials; teeth filling material; dressings, medical; surgical dressings; drugs for medical purposes; medicines for veterinary purposes; serotherapeutic medicines; medicines for human purposes; medicines for dental purposes; menthol; medicinal drinks; molskin for medical purposes; almond milk for pharmaceutical purposes; powdered milk for babies; royal jelly for pharmaceutical purposes; milk ferments for pharmaceutical purposes; Irish moss for medical purposes; flour for pharmaceutical purposes; linseed meal for pharmaceutical purposes; fish meal for pharmaceutical purposes; fly glue; antibacterial soap; disinfectant soap; medicated soap; freeze-dried meat adapted for medical purposes; mint for pharmaceutical purposes; dietetic beverages adapted for medical purposes; malted milk beverages for medical purposes; narcotics; medicinal infusions; tincture of iodine; eucalyptol for pharmaceutical purposes; tinctures for medical purposes; opium; opodeldoc; decoctions for pharmaceutical purposes; antiparasitic collars for animals; stick liquorice for pharmaceutical purposes; sulfur sticks [disinfectants]; pastilles for pharmaceutical purposes; medicated dentifrices; pectin for pharmaceutical purposes; pepsins for pharmaceutical purposes; peptones for pharmaceutical purposes; hydrogen peroxide for medical purposes; pesticides; food for babies; leeches for medical purposes; blood plasma; nicotine patches for use as aids to stop smoking; eyepatches for medical purposes; poultices; compresses; scapulars for surgical purposes; diapers for pets; diapers for incontinence; bunion pads; breast-nursing pads; pomades for medical purposes; powder of cantharides; pyrethrum powder; anti-uric preparations; bacterial preparations for medical and veterinary use; bacteriological preparations for medical and veterinary use; balsamic preparations for medical purposes; albuminous preparations for medical purposes; biological preparations for veterinary purposes; biological preparations for medical purposes; veterinary preparations; bismuth preparations for pharmaceutical purposes; vitamin preparations; diagnostic preparations for medical purposes; bath preparations for medical purposes; therapeutic preparations for the bath; hemorrhoid preparations; preparations for callouses; lice treatment preparations [pediculicides]; acne treatment preparations; preparations to facilitate teething; preparations for the treatment of burns; fumigation preparations for medical purposes; ootherapy preparations; air purifying preparations; bronchodilating preparations; preparations for reducing sexual activity; sterilising preparations; soil-sterilising preparations; corn remedies; pharmaceutical preparations for treating dandruff; preparations for destroying noxious animals; herbicides; preparations for destroying dry rot fungus; larvae exterminating preparations; fly destroying preparations; preparations for destroying mice; slug exterminating preparations; vermin destroying preparations; pharmaceutical preparations for skin care; con-

tact lens cleaning preparations; preparations of microorganisms for medical or veterinary use; lime-based pharmaceutical preparations; haemostatic preparations; medicated eye-washes; medicinal hair growth preparations; nutraceutical preparations for therapeutic or medical purposes; opiates; anticryptogamic preparations; aloe vera preparations for pharmaceutical purposes; preparations of trace elements for human and animal use; sulfonamides [medicines]; pharmaceutical preparations; pharmaceutical preparations for treating sunburn; enzyme preparations for veterinary purposes; enzyme preparations for medical purposes; phytotherapy preparations for medical purposes; chemico-pharmaceutical preparations; chemical preparations for veterinary purposes; chemical preparations for the diagnosis of pregnancy; chemical preparations for medical purposes; chemical preparations for treating diseases affecting cereal plants; chemical preparations for treating wheat blight; chemical preparations for treating diseases affecting vine plants; chemical preparations for treating mildew; chemical preparations for treating phylloxera; chemical preparations for pharmaceutical purposes; chilblain preparations; mothproofing preparations; collyrium; lead water; chemical conductors for electrocardiograph electrodes; albuminous foodstuffs for medical purposes; dietetic foods adapted for medical purposes; by-products of the processing of cereals for dietetic or medical purposes; homogenized food adapted for medical purposes; freeze-dried food adapted for medical purposes; pharmaceuticals; sanitary towels; panty liners [sanitary]; propolis for pharmaceutical purposes; pearl powder for medical purposes; radium for medical purposes; hydrated chloral for pharmaceutical purposes; solvents for removing adhesive plasters; vaginal washes for medical purposes; solutions for contact lenses; chemical reagents for medical or veterinary purposes; gum for medical purposes; rubber for dental purposes; chewing gum for medical purposes; nicotine gum for use as an aid to stop smoking; insect repellents; insect repellent incense; repellents for dogs; tissues impregnated with pharmaceutical lotions; sarsaparilla for medical purposes; sugar for medical purposes; asthmatic tea; fumigating sticks; massage candles for therapeutic purposes; suppositories; linseed for pharmaceutical purposes; tobacco-free cigarettes for medical purposes; siccatives [drying agents] for medical purposes; syrups for pharmaceutical purposes; turpentine for pharmaceutical purposes; greases for veterinary purposes; greases for medical purposes; lacteal flour for babies; infant formula; soporifics; bicarbonate of soda for pharmaceutical purposes; bath salts for medical purposes; salts for mineral water baths; salts for medical purposes; potassium salts for medical purposes; sodium salts for medical purposes; smelling salts; mineral water salts; malt for pharmaceutical purposes; semen for artificial insemination; alcohol for pharmaceutical purposes; medicinal alcohol; alloys of precious metals for dental purposes; ergot for pharma-

ceutical purposes; cooling sprays for medical purposes; antibacterial handwashes; adjuvants for medical purposes; astringents for medical purposes; vermifuges; disinfectants; disinfectants for hygiene purposes; disinfectants for chemical toilets; appetite suppressants for medical purposes; medical preparations for slimming purposes; parasiticides; mouthwashes for medical purposes; febrifuges; depuratives; animal washes [insecticides]; detergents for medical purposes; cattle washes [insecticides]; dog washes [insecticides]; insecticidal veterinary washes; vesicants; purgatives; remedies for perspiration; remedies for foot perspiration; chemical contraceptives; antiparasitic preparations; sedatives; laxatives; tonics [medicines]; medicated toiletry preparations; digestives for pharmaceutical purposes; nervines; media for bacteriological cultures; steroids; strychnine; serums; tanning pills; appetite suppressant pills; slimming pills; jujube, medicated; antioxidant pills; sanitary tampons; vulnerary sponges; thymol for pharmaceutical purposes; biological tissue cultures for veterinary purposes; biological tissue cultures for medical purposes; smoking herbs for medical purposes; medicinal herbs; surgical implants comprised of living tissues; pants, absorbent, for incontinence; sanitary panties; charcoal for pharmaceutical purposes; porcelain for dental prostheses; phenol for pharmaceutical purposes; enzymes for veterinary purposes; enzymes for medical purposes; ferments for pharmaceutical purposes; formic aldehyde for pharmaceutical purposes; phosphates for pharmaceutical purposes; fungicides; quinine for medical purposes; chinoline for medical purposes; diabetic bread adapted for medical use; chloroform; flowers of sulfur for pharmaceutical purposes; cement for animal hooves; bone cement for surgical and orthopaedic purposes; dental cements; medicinal tea; herbal teas for medicinal purposes; insecticidal animal shampoos; medicated shampoos; medicated shampoos for pets; pediculicidal shampoos; medicated dry shampoos; pre-filled syringes for medical purposes; eucalyptus for pharmaceutical purposes; herbal extracts for medical purposes; plant extracts for pharmaceutical purposes; tobacco extracts [insecticides]; extracts of hops for pharmaceutical purposes; elixirs [pharmaceutical preparations]; ethers for pharmaceutical purposes; esters for pharmaceutical purposes; cellulose esters for pharmaceutical purposes; rat poison; poisons; bacterial poisons; jalap; bismuth subnitrate for pharmaceutical purposes; cream of tartar for pharmaceutical purposes; angostura bark for medical purposes; condurango bark for medical purposes; adhesive tapes for medical purposes; injectable dermal fillers; cotton sticks for medical purposes; babies' diapers; diagnostic preparations for veterinary purposes; douching preparations for medical purposes; milking grease; transplants [living tissues]; babies' diaper-pants; fennel for medical purposes; cellulose ethers for pharmaceutical purposes.

(260) AM 2021 108806 A
 (800) 1537347
 (151) 2020 01 30
 (891) 2020 01 30
 (731) Unilab, LP
 966 Hungerford Drive, Suite 3B, Rockville
 MD 20850, USA
 (540)

STOPERAN

(591) Black, white
 (511)
 3 – Cosmetics; cosmetic preparations for slimming purposes; shaving preparations; breath fresheners; dentifrices and preparations for oral cavity care; hair preparations and treatments; sun-tanning preparations [cosmetics]; perfumery; perfumes; tissues impregnated with cosmetic lotions; depilatory preparations; sanitary preparations included in this class; ethereal oils.
 5 – Pharmaceutical products; medical preparations; vitamins; minerals included in this class; mineral food supplements; mineral waters for medical purposes; parapharmaceuticals; food supplements; dietetic foods for medical purposes; dietetic substances for medical purposes; herbal preparations for medical purposes; medicinal herbs; medicinal tea; biocides for medical purposes; biological preparations for medical purposes; biological reagents for medical purposes; bactericidal products for medical purposes; vaccines; serums; blood-derived products; biotechnological products for medical purposes; pharmaceutical preparations for skin care; anti-acne products; dental preparations and materials; pharmaceutical lotions; infant formula; dressings, medical; sanitary preparations for medical purposes; disinfectants; veterinary preparations; chemical products for medical use; diagnostic preparations for medical purposes; therapeutic suppositories; enzyme preparations for medical purposes; chewing gums for medical purposes; medicinal drinks and herbs, medicinal infusions; tonics [medicines]; medicinal cosmetics; compresses.
 10 – Medical devices, therapeutic patches.

(260) AM 2021 108807 A
 (800) 1537372
 (151) 2020 02 14
 (891) 2020 02 14
 (731) SOOFT ITALIA S.p.A.
 Contrada Molino, 17, I-63833
 MONTEGIORGIO (FM), Italy
 (540)

EDENORM

(591) Black, white
 (531) 27.05.01
 (511)

5 – Pharmaceutical and veterinary preparations; sanitary preparations for medical purposes; dietetic substances for medical use; food for babies; plasters; materials for dressings; materials for stopping teeth and dental wax; disinfectants; collyrium; eye drops.

(260) AM 2021 108808 A

(800) 1537375

(151) 2020 01 16

(891) 2020 01 16

(731) Federal state enterprise "Russian state circus company"

Pushechnaya, d. 4, build. 1,3, RU-109012
Moscow, Russian Federation

(540)



(591) White, yellow, blue and red

(531) 01.01.03; 01.01.10; 02.03.08; 02.03.16;
21.03.25; 24.07.23; 26.01.05; 29.01.14

(511)

16 – Posters; albums; fountain pens; banknotes; paper bows, other than haberdashery or hair decorations; name badges [office requisites]; tickets; forms, printed; announcement cards [stationery]; pads [stationery]; pamphlets; booklets; luminous paper; wrapping paper; filter paper; newsletters; signboards of paper or cardboard; engravings; pencil leads; magazines [periodicals]; calendars; pencils; pictures; paintings [pictures], framed or unframed; cards; index cards [stationery]; catalogues; books; comic books; envelopes [stationery]; boxes of paper or cardboard; paper ribbons, other than haberdashery or hair decorations; flyers; viscose sheets for wrapping; postage stamps; graphic prints; teaching materials [except apparatus]; bookbinding material; bags [envelopes, pouches] of paper or plastics, for packaging; stickers [stationery]; covers [stationery]; wrappers [stationery]; greeting cards; conical paper bags; nibs of gold; desk mats; stands for pens and pencils; photograph stands; portraits; printed matter; place mats of paper; table napkins of paper; stationery; bottle wrappers of paper or cardboard; flags of paper; photo-engravings; photographs [printed]; shields [paper seals]; prints [engravings]; labels of paper or cardboard.

25 – Bandanas [neckerchiefs]; berets; overalls; boas [necklets]; teddies [underclothing]; boxer shorts; ankle boots; collars [clothing]; detachable collars; shirt yokes; veils [clothing]; gabardines [clothing]; ascots; neckties; gaiters; corselets; vests; caps being headwe-

ar; combinations [clothing]; masquerade costumes; leotards; liveries; camisoles; clothing for gymnastics; wristbands [clothing]; short-sleeve shirts; mantillas; footwear; clothing; uniforms; paper clothing; embroidered clothing; headbands [clothing]; stocking suspenders; braces for clothing [suspenders]; gymnastic shoes; headwear.

35 – Arranging subscriptions to telecommunication services for others; rental of advertising space; computerized file management; demonstration of goods; opinion polling; market studies; business information; commercial information and advice for consumers in the choice of products and services; business investigations; business research; marketing research; business management and organization consultancy; business management consultancy; business organization consultancy; professional business consultancy; consultancy regarding public relations communication strategies; consultancy regarding advertising communication strategies; layout services for advertising purposes; targeted marketing; marketing; business management of performing artists; scriptwriting for advertising purposes; news clipping services; updating and maintenance of information in registries; updating and maintenance of data in computer databases; updating of advertising material; word processing; online retail services for downloadable and pre-recorded music and movies; online retail services for downloadable ring tones; online retail services for downloadable digital music; organization of exhibitions for commercial or advertising purposes; organization of trade fairs for commercial or advertising purposes; development of advertising concepts; shop window dressing; data search in computer files for others; commercial intermediation services; providing business information via a web site; provision of an online marketplace for buyers and sellers of goods and services; web indexing for commercial or advertising purposes; presentation of goods on communication media, for retail purposes; media relations services; sales promotion for others; production of advertising films; rental of advertising time on communication media; publicity material rental; rental of billboards [advertising boards]; rental of vending machines; rental of sales stands; publication of publicity texts; radio advertising; bill-posting; distribution of samples; dissemination of advertising matter; direct mail advertising; writing of publicity texts; outdoor advertising; advertising; television advertising; advertising by mail order; online advertising on a computer network; document reproduction; compilation of statistics; compilation of information into computer databases; systemization of information into computer databases; corporate communications services; negotiation of business contracts for others; negotiation and conclusion of commercial transactions for third parties; compiling indexes of information for commercial or advertising purposes; telemarketing services; business ma-

nagement of hotels; commercial administration of the licensing of the goods and services of others; business management of reimbursement programs for others; administration of consumer loyalty programs; public relations; commercial lobbying services; market intelligence services; outsourcing services [business assistance].

41 – Rental of artwork; booking of seats for shows; videotaping; production of music; discotheque services; animal training; education information; entertainment information; film distribution; microfilming; videotape editing; production of radio and television programmes; screenplay writing; training services provided via simulators; correspondence courses; gymnastic instruction; practical training [demonstration]; arranging and conducting of seminars; arranging and conducting of symposiums; arranging and conducting of workshops [training]; organization of shows [impresario services]; arranging and conducting of concerts; arranging and conducting of in-person educational forums; organization of cosplay entertainment events; organization of competitions [education or entertainment]; providing recreation facilities; arranging and conducting of colloquiums; arranging and conducting of conferences; arranging and conducting of congresses; organization of exhibitions for cultural or educational purposes; vocational guidance [education or training advice]; amusement park services; know-how transfer [training]; television entertainment; vocational retraining; providing online videos, not downloadable; providing films, not downloadable, via video-on-demand services; cinema presentations; providing amusement arcade services; providing online electronic publications, not downloadable; providing online music, not downloadable; providing television programmes, not downloadable, via video-on-demand services; providing television programs, not downloadable, via video-on-demand services; theatre productions; presentation of live performances; presentation of variety shows; presentation of circus performances; conducting guided climbing tours; educational examination; film production, other than advertising films; rental of stage scenery; rental of video cassette recorders; rental of videotapes; rental of audio equipment; rental of lighting apparatus for theatrical sets or television studios; rental of video cameras; toy rental; rental of show scenery; rental of sound recordings; publication of texts, other than publicity texts; radio entertainment; holiday camp services [entertainment]; entertainment services; news reporters services; film directing, other than advertising films; party planning [entertainment]; music composition services; subtitling; tutoring; video editing services for events; sound engineering services for events; songwriting; instruction services; educational services provided by schools; orchestra services; scriptwriting, other than for advertising purposes; ticket agency services [entertainment]; coaching [train-

ing]; sport camp services; recording studio services; nursery schools; photography; photographic reporting; boarding school education; production of shows.

(260) AM 2021 108809 A

(800) 1537393

(151) 2019 07 17

(891) 2019 07 17

(731) Apple Inc.

One Apple Park Way, Cupertino CA 95014,
USA

(540)



(591) Black, white

(531) 05.07.13; 05.07.23

(526) Tv +.

(511)

41 – Arranging, organizing, conducting, and presenting entertainment special events; production, distribution, and presentation of television programs, motion pictures; providing ongoing television programs, webcast programs; providing entertainment, sports, music, informational, news, and current events programming by means of telecommunications networks; providing non-downloadable entertainment, sports, music, informational, news, and current events programming; providing entertainment, sports, music, informational, news, current events, and arts and culture programming via websites and computer applications; providing information in the field of entertainment, music, sports, news, and arts and culture via websites and computer applications; providing information, schedules, reviews and personalized recommendations of entertainment; publication and presentation of reviews, surveys, and ratings, and providing interactive websites and computer applications for the posting and sharing of reviews, survey, and ratings relating to entertainment; providing a website featuring non-downloadable videos and multimedia content for entertainment purposes in the field of entertainment, sports, music, news, and current events (Terms too vague in the opinion of the International Bureau – Rule 13 (2) (b) of the Common Regulations).

(260) AM 2021 108810 A

(800) 1537397

(151) 2020 05 26

(891) 2020 05 26

(731) SEAT, S.A.

Autovia A-2 km.585, E-08760 Martorell
(Barcelona), Spain

(540)

CUPRA BORN

(591) Black, white

(511)

12 – Vehicles; apparatus for locomotion by land; cars; vehicle parts and accessories.

(260) AM 2021 108831 A

(800) 1537971

(151) 2020 04 21

(891) 2020 04 21

(731) XUZHOU ARMOUR RUBBER COMPANY LTD.

No.1, Xulun Road, Industrial, Park of Xuzhou, Xuzhou City, Jiangsu, China

(540)



(591) Black, white

(531) 03.07.17; 15.07.01; 15.07.02; 26.11.10; 27.05.08

(511)

12 – Automobile tires [tyres]; tyres, solid, for vehicle wheels; tyres for vehicle wheels; casings for pneumatic tires [tyres]; pneumatic tyres; treads for retreading tires [tyres]; inner tubes for pneumatic tires [tyres]; spikes for tyres; tyres for aircraft.

(260) AM 2021 108833 A

(800) 1538036

(151) 2020 05 21

(891) 2020 05 21

(731) ZAMBON S.p.A.

Via Lillo del Duca 10, I-20091 Bresso (MI), Italy

(540)

HALMYZE

(591) Black, white

(511)

5 – Pharmaceutical preparations for the treatment of respiratory diseases and disorders.

(260) AM 2021 108835 A

(800) 1538098

(151) 2020 04 28

(891) 2020 04 28

(731) China Tobacco Jiangsu Industrial Co., Ltd.

No. 406-3 Zhongshan North Road, Nanjing, 210011 Jiangsu, China

(540)

**iRod**

(591) Black, white

(531) 26.03.06; 26.04.11

(511)

11 – Cooling installations for tobacco; tobacco roasters; hot air apparatus; heating apparatus; heat regenerators; heating apparatus for solid, liquid or gaseous fuels; heating apparatus, electric; heating elements; heating plates; lighters.

(260) AM 2021 108837 A

(800) 884932

(151) 2006 05 18

(891) 2020 03 31

(731) Novartis AG

CH-4002 Basel, Switzerland

(540)

ENERZAIR

(591) Black, white

(511)

5 – Pharmaceutical preparations.

(260) AM 2021 108839 A

(800) 1310084

(151) 2016 02 26

(891) 2020 05 26

(731) SOCIEDAD ANONIMA TRABAJOS Y OBRAS (SATO)

Paseo de la Castellana, 259-D, Torre Espacio, Planta 8, E-28046 Madrid, Spain

(540)

CUBIPOD

(591) Black, white

(511)

19 – Non-metallic building materials; rigid pipes, not of metal, for building; asphalt, pitch and bitumen; transportable buildings, not of metal; non-metallic monuments, concrete masonry units; blocks made of concrete for coastal protection; concrete building materials; concrete building elements; concrete retaining walls.

37 – Construction of civil engineering structures with concrete masonry units; services for the construction of buildings and infrastructures, consultancy services in the field of construction, supervision (management)

of construction works, information in the field of construction, rental of construction machinery and equipment; rental of tools, machines and equipment for construction and demolition; repair and maintenance of buildings and constructions, information on repairs, cleaning services for buildings (interior and exterior surfaces); services for installations during the construction of buildings.

42 – Consultancy and research service in engineering and technology, design, planning and supervision of structures, infrastructures and buildings in the field civil engineering, railway systems engineering, aeronautical engineering and naval architecture; technical project studies, research in the field of environmental protection, quality control; planning and consultancy in the field of architecture; planning of construction projects, testing and geological analyses, design of engineering building systems, analysis of the structural behavior of building materials, research on the construction of buildings or urban planning, development of computer programs designed for use in construction and engineering; measuring environmental conditions in civil engineering structures, conducting engineering surveys.

(260) AM 2021 108840 A

(800) 1419748

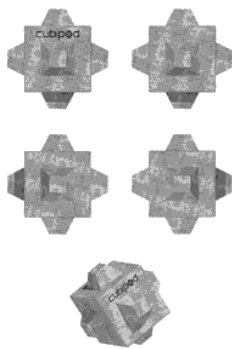
(151) 2018 06 08

(891) 2020 05 26

(731) SOCIEDAD ANONIMA TRABAJOS Y OBRAS (SATO)

Paseo de la Castellana, 259-D – Torre Espacio,
Planta 8, E-28046 Madrid, Spain

(540)



(591) Black, white

(531) 07.15.01; 07.15.20; 26.15.25; 27.03.15;
27.05.01; 27.05.08

(554) მოცულობითი

(511)

19 – Non-metallic building materials; rigid pipes, not of metal, for building; asphalt, pitch and bitumen; transportable buildings, not of metal; monuments, not of metal; blocks of concrete; blocks made of concrete for coastal protection; concrete building materials; concrete building elements; concrete retaining walls.

(260) AM 2021 108841 A

(800) 1425322

(151) 2018 05 10

(891) 2020 05 26

(731) SOCIEDAD ANONIMA TRABAJOS Y OBRAS (SATO)

Paseo de la Castellana, 259-D, Torre Espacio,
Planta 8, E-28046 Madrid, Spain

(540)



(591) Black, white

(531) 26.07.25; 26.13.25; 26.15.25

(511)

19 – Non-metallic building materials; rigid pipes, not of metal, for building; asphalt, pitch and bitumen; transportable buildings, not of metal; monuments, not of metal; blocks of concrete; blocks made of concrete for coastal protection; concrete building materials; concrete building elements; concrete retaining walls.

37 – Construction of civil engineering structures by laying concrete; services for the construction of buildings and infrastructures, consultancy services in the field of construction, supervision (management) of construction works, information in the field of construction, rental of construction machinery and equipment; rental of tools, machines and equipment for construction and demolition: repair and maintenance of buildings and structures, information on repairs, cleaning services (interior and exterior surface) for buildings; installation services during the construction of buildings and structures.

42 – Technological consultancy and engineering services, as well as research, design, planning and supervision of structures, infrastructures and buildings in the civil, railway, aeronautical and naval engineering fields; technical project study, research relating to environmental protection, quality control; planning and consultancy relating to architecture; development of construction projects, geological analyses and testing, design of engineering construction systems, analysis of the structural behavior of building materials, research on the construction of buildings or urban planning, development of computer programs designed for use in construction and engineering; measurement of environmental conditions in civil engineering structures, conducting of engineering surveys.

(260) AM 2021 108842 A

(800) 1448155

(151) 2018 09 14

(891) 2020 06 08

(731) French Fruit Lovers

2788 route de la Mégère, F-82200 MOISSAC,
France
(540)

Lovita

(591) Red
(531) 01.15.15; 27.05.07; 27.05.19; 29.01.01
(511)
29 – Dried plums; processed plums, namely, plum jellies, plum jams and plum compotes.
31 – Fresh plums.

(260) AM 2021 108844 A
(800) 1482403
(151) 2019 06 21
(891) 2020 06 04
(731) INTERPRESTIGE
14 rue Camille Desmoulins, F-95870 Bezons,
France
(540)

**KOOL
BEAUTY**

(591) Black, white
(531) 02.09.04; 26.01.01; 26.01.04; 26.01.06;
27.03.02; 27.05.01
(526) Beauty
(511)
3 – Cosmetics; make-up removing products; lipstick; beauty masks.

(260) AM 2021 108845 A
(800) 1522880
(151) 2019 11 28
(891) 2020 03 17
(731) Fédération Internationale de Football
Association (FIFA)
FIFA-Strasse 20, CH-8044 Zürich, Switzerland
(540)



**FIFA WORLD CUP
Qatar 2022**

(591) Black, white
(531) 24.17.08; 25.01.25; 26.13.25; 27.05.09;
27.07.01
(511)
3 – Cosmetics; soaps; cosmetic preparations for bath; body-, face-, cosmetic-, bath powders; perfumes; pre-shave and after shave lotions; shaving creams; shampoos, conditioners; toothpaste, mouth washes; dental rinses, breath refreshers; dental bleaching creams; teeth whiteners (strips and pastes); non medicated denture cleanser tablets; deodorants and antiperspirants for personal use; hand creams, foot creams; nourishing creams; facial cleansing crème; facial masks; anti-wrinkle formulas; anti-aging lotions and moisturizers; skin care oils; skin care gels; skin cleanser preparations for face and body; make-up removing preparations; sunscreen lotions and sun care creams; body sprays for cosmetic purposes; baby shampoos; baby oil; baby lotions; baby body washes; baby powder; impregnated baby cloths; baby wipes; cotton swabs for cosmetic purposes; cotton balls for cosmetic purposes; impregnated hand wash preparations for cosmetic purposes; make-up preparations; hair lotions, hair lacquers; make-up foundation; foundations (cosmetic); eye shadow, mascaras; eye liners; blushers, concealers (cosmetic); face powder, cosmetic pencils; decorative transfers for cosmetic purposes; lip care preparations; lip gloss; lip pomades; lipsticks; lip liners; cleaning, polishing, scouring, abrasive preparations for household purposes; laundry detergents; synthetic household detergents; shoe polish and waxes; polishing agents for preservation of leather; leather waxes; cream for leather; pastes for polishing leather.

4 – Industrial oils and greases; lubricants; lubricating oils and greases; motor oils and fuels; gasoline; natural gasoline; motor gasoline; kerosene; liquefied petroleum gases; petroleum, raw or refined; oil, including motor oil, industrial oil, combustible oil, transmission oil, refined oil; gas oil; diesel fuel; fuel gas; fuel oil; bio fuel; natural gas; non-chemical additives for motor fuels, lubricants and grease; candles; waxes.

9 – Eyeglasses, sunglasses, diving and swimming goggles, cases, cords and chains for sunglasses and eyeglasses; binoculars; magnets and decorative magnets; directional compasses; automotive batteries; electronic instrument clusters; thermostats and radiator caps; powertrain electronics for motors; body and chassis electronics; remote door lock systems; Hi-Fi audio systems and components; apparatus for recording, transmitting, editing, mixing and reproducing of sound and/or images; radios; televisions; flat screens; liquid crystal displays; high definition and plasma screens; home cinema systems; video recorders; CD players; portable CD players; DVD players; MP3 players; apparatus for reading digital music; cassette players; portable cassette players; mini-disc players; portable radios; loudspeakers; headphones; earphones;

microphones; remote controls, voice-activated remote control; navigation apparatus; personal digital assistants (PDA); computers; data processors; computer keyboards; computer monitors; modems; computer carrying cases; computer mice; pads for computer mouses; electronic pocket translators; dictating machines; electronic notebooks and agendas; scanners; printers; photocopy machines; facsimile machines; telephones; telephone answering apparatus; mobile telephones; mobile phones covers; devices for hands-free use of mobile phones; earphones and headsets for mobile phones; keyboards for mobile phones; mobile phone straps; special bags for carrying mobile phones; mobile phones with integrated cameras and video cameras; smartwatches; calculating machines; credit card reading machines; cash exchanging machines; automated teller machines; automated teller machines (ATM); video cameras, camcorders; photographic equipment, cameras (photography), projectors; exposed films; photographic slides; flash bulbs; camera and camera accessory cases and straps; batteries; karaoke machines and programs for karaoke; video game discs; voice-activated or hand-operated game control pads and game controllers; pre-recorded or downloadable computer software including computer game software; computer programs and databases; computer screen savers; magnetic, numerical or analogical carriers for recording sound or images; video discs, video tapes, magnetic tapes, magnetic discs, DVDs, floppy discs, optical discs, compact discs, mini-discs, CD ROMs, all the aforementioned being blank or pre-recorded with music, sound or images (which may be animated); holograms; magnetic cards (encoded including gift vouchers); memory adapters (computer equipment); memory cards; memory sticks (blank or pre-recorded); microchip cards; microchip or magnetic credit cards, microchip or magnetic phone cards, microchip or magnetic cards for automated teller and money exchange machines; microchip or magnetic prepaid cards for mobile phones; microchip or magnetic travel and entertainment cards, microchip or magnetic cheque guarantee and debit cards; non-magnetic credit cards of plastic; electronic numeric blackboard; electronic chassis frame control devices for vehicles; security alarms; electronic vehicle lock system including remote control; windsocks for indicating wind direction; solar cells and panels for electricity generation; gauges; distance measuring apparatus; speed measuring and indication equipment; tire pressure sensor; tire pressure gauge; downloadable electronic publications; downloadable electronic maps; audio receivers; audio amplifiers; television tubes; cathode ray tubes; computer software and hardware, including set-top boxes which can convert, supply, receive and transmit audio and video data; disc drives; semi-conductors; packaged semi-conductors; integrated circuits containing programming used for audio, video or computer data processing; rechargeable batteries; audio and video data processors and conver-

ters; data transmission cables; speedometer cables and service parts; protective sports helmets; magnetic encoded identification bracelets; electronic tickets, encoded; tickets in the form of magnetic cards; contact lenses, receptacle for the cleaning and storing of contact lenses; virtual reality headsets.

12 – Bicycles; motorbikes; motor scooters; automobiles; recreational vehicles (including SUV); trucks; vans; caravans; buses; minibuses; trailers; refrigerated vehicles; motorhomes (electric, petrol or diesel operated or other type of motor, known or invented, including hybrid motors); aeroplanes; boats; hot-air balloons, airships; tires, inner tubes for tires, rubber tread patterns for use in retreading of tires, material and kits for the repair of tires and inner tubes; adhesive rubber patches for the repair of tires and inner tubes, valves for tires, tire inflation apparatus, non-skid devices for vehicle tires, namely, spikes and snow chains; wheels, wheel rims, wheel rim bands, hubcaps; tire covers; car brake parts; alloys for wheels; automobile accessories, namely, sun screens, roof racks, ski racks, bicycle racks, seat covers for vehicles; and cushions; car covers (vehicle accessories); taillight covers; spoilers; car glass (for headlights); car glass (for taillights); convertible tops; sun roofs; deflectors; grill guards; airbags; seat belt cushions; steering wheels; license plate holders; car security alarm systems; spare parts for motor vehicles; car dashboard; chassis for terrestrial vehicles; seat-belt pads; wing mirror covers; cars for children; car seats for babies or children; anti-skid chains for cars; engines for land vehicles.

14 – Jewellery; necklaces; jewelry; precious stones; crystal jewellery; gemstones; watches; wristwatches; watch straps; clocks; wall clocks; chronographs; stop-watches, cases for watches, pendulums; medallions, pendants, brooches; bracelets, leather bracelets; silicon bracelets (jewellery); pins (jewellery); team and player trading pins (jewellery); tie clips and tie pins; cufflinks; medals; commemorative medals of precious metal; medallions, trophies, statues and sculptures, all made of precious metal; decorative pins for hats of precious metal; decorative key rings; coins; medals and badges for clothing of precious metal; decorative key holders; lanyards for key holders; medallions not of precious metal; collectors' printed metal caps (pogs).

16 – Money clips for holding bank notes; table cloths of paper; napkins of paper; bags of paper; invitation cards; greeting cards; folded cardboard boxes; gift wrap; paper coasters, placemats and table sets; garbage bags of paper or plastic; plastic shopping bags; food wrappers; coffee filters; labels of paper or cardboard; paper towels; toilet paper; make-up removing towelettes made of paper; boxed tissues; paper handkerchiefs; stationery and school supplies (except equipment); magnetic boards (stationery); typewriting machines; typewriting, copying, and writing paper

(stationery articles); envelopes; themed pads of paper; blocks of paper; notebooks; scribble pads; binders; archiving boxes; document sleeves; book covers; bookmarks; lithographies, paintings (framed or unframed); painting pads, colouring books; drawing and activity books; luminous paper; adhesive note paper; crepe paper; tissue paper; staples; staplers; flags of paper; pennants of paper; writing instruments; fountain pens; pencils; pens; fountain pen sets; pencil sets; porous-point pens; colouring pens; ball-point pens; broad-tip markers; inks; ink pads; rubber stamps; paint boxes; paint and colouring pencils; chalk; decorations for pencils (stationery articles); printing blocks; magazines; newspapers; books and journals, particularly dealing with athletes or sport events; printed teaching materials; schedules (for recording results); event programs; event albums; photograph albums; autograph books; address books; diaries; personal organisers; roadmaps; entry tickets; airline tickets and boarding passes; cheques; printed timetables; pamphlets and brochures; comic strips; collectable trading cards; sports trading cards; bumper stickers; stickers; sticker albums; calendars; posters; photographs; postcards; stamps; foreign postage stamps, postage stamps for collectible purposes; commemorative stamp sheets; advertising signs and banners of paper or cardboard; decals; office requisites (except furniture); correction fluids; rubber erasers; pencil sharpeners; stands for writing implements; paper clips; drawing pins; rulers; adhesive tape for stationery; dispensers for adhesive tape; stencils; clip boards; notepad holders; bookends; seals; phone, ATM, travel and entertainment, cheque guarantee and debit cards made of paper or cardboard, credit cards (not encoded) of paper or cardboard; luggage tags; passport holders; lanyards of paper for ID cards.

18 – Leather and imitation leather; leather straps; umbrellas, parasols; sport bags (other than those adapted for products they are designed to contain); sport bags with wheels; leisure bags; travelling bags; backpacks; tote-bags; schoolbags; belt-bags; handbags; leather bags; ball-shaped bags of leather; beach bags; garment bags for travel; suitcases; straps for suitcases; holdalls; briefcases of leather; vanity cases (empty); toiletry bags; key cases of leather; cases for business cards; identity card holders; luggage tags of leather; document holders; wallets; purses; cheque holders; pet clothing; collars for pets; animal leashes.

21 – Household or kitchen utensils and containers (non-electric); portable cooking kits for outdoor use; glass flasks (containers); mixing spoons (kitchen utensils); fruit presses, (non-electric) for household purposes; cutting boards for the kitchen; trays for domestic purposes; ice buckets; mixers; cocktail shakers; sugar bowls; tankards, mugs, cups and drinking glasses; decanters; plates and dishes, coasters, saucers, glasses; tea pots; household gloves; corkscrews; bottle openers; beverage bottles; vacuum flasks; non-

electric coolers for food and drinks; combs and hair-brushes; tooth brushes; fental floss; flossing devices; interdental stimulators; statues, sculptures, figurines, ornaments and trophies terra-cotta or glass; decorative bottles for cosmetic purposes; clothes racks for drying; waste paper baskets; piggy banks (non-metallic); souvenir table plates; pet animal feeding bowls; cages for pet animals; commemorative plates (non-metallic).

25 – Clothing; footwear; headgear; shirts; knitted garments; jerseys, pullovers; tank-tops; T-shirts; vests; singlets; dresses; sports dresses; skirts; sports skirts; underwear; swimwear, bikinis; tankinis; bath robes; shorts; pants; sweaters; bonnets; caps; hats; scarves; headscarves; sashes for wear; shawls; visors; peaked caps; warm-up suits; sweatshirts; jackets; sports jackets; stadium jackets; blazers; rainwear; coats; uniforms; ties; wristbands; anti-sweat wristbands; headbands; finger-bands; sports bracelet of silicone; gloves; aprons; bibs (not of paper); pyjamas; toddler and infant playwear; clothing for babies socks and hosiery; socks and hosiery; suspenders; belts; braces; sandals, thong sandals; athletic footwear, namely outdoor shoes, hiking shoes, basketball shoes, cross-training shoes, cycling shoes, indoor sports shoes, running and track-field shoes, flip-flops, football shoes (indoor and outdoor), football boots, canvas shoes, tennis shoes, urban sports shoes, sailing shoes, aerobic shoes; sports apparel, namely fleece tops, jogging suits, knit sportswear, sport casual pants, polo-shirts, sweatshirts, sweatpants, soccer-style shirts, rugby-style shirts, socks, swimwear, tights and leg warmers, tracksuits, functional underwear, singlets, bra tops, leotards, wristbands, headbands, gloves, snow suits, snow jackets, snow pants.

28 – Games and playthings; sport balls; board games; tables for table football; dolls and animals; micro-jerseys; toy vehicles; puzzles; balloons; inflatable toys; playing cards; confetti; articles for gymnastics and sport; appliances for gymnastics; football equipment, namely footballs, gloves, knee, elbow and shoulder pads, shin guards and football goals; football goal walls; sport bags and containers adapted for carrying sports articles; party hats (toys); hand-held electronic games adapted for use with television receivers only; joysticks for video games; video games; video game machines; gaming consoles; hand-held game machines with liquid crystal displays; hand-held electronic games other than those adapted for use with television receivers only; gamepads; steering wheels for video games and dancing mats for video games; foam hands (toys); toy robots for entertainment; arcade games; replica models of aircraft; toys for pet animals; scratch cards; kites; roller skates; scooters (toys); skateboards; virtual reality headsets for games.

32 – Soft drinks; juices; beverages made of juice and flavoured juice; concentrates, syrups and powder for making soft drinks; mineral and aerated waters; other

non-alcoholic beverages; energy drinks, isotonic drinks, hypertonic drinks, hypotonic drinks; fruit and vegetable drinks and juices; diet beverages; sports drinks; iced fruit drinks; iced drinks; flavoured drinks; non-carbonated, non-alcoholic frozen flavoured beverages; beverages enriched with added vitamins not for medical use; beers; blond beers; ales; stouts; low-alcohol beer; non-alcoholic beer.

35 – Advertising; business management; business administration; employment agency services; personnel recruitment services; advertising services through sponsorship; online advertising services; information, advisory and consultancy services relating to business management and business administration provided online or via the Internet; advertising and promotional services; dissemination of advertising and promotional materials; provision and rental of advertising space and publicity material; publication of publicity materials and texts; rental of advertising time in film credits; television and radio advertising services; promotion of sports events in the domain of football; promotions of goods and services of third parties; business sponsorship research in relation to football competitions; compilation of publications for use as web pages on the Internet or on wireless electronic communication device; providing space on web sites via the Internet for advertising goods and services; providing an online marketplace for buyers and sellers of goods and services; providing online auction services; compilation of directories for publishing on the Internet or on wireless electronic communication device; promotional marketing services; sport and public relations promotion agency services; market study services; marketing research services; public opinion polling services; organisation of events, exhibitions, fairs and shows for commercial, promotional and advertising purposes; organisation of publicity for commercial exhibitions; database management services; compilation of statistics; services in the field of data collection and of statistical and other information on sports performances; business management and organisation consultancy; business consultancy services; organising of promotional competitions; providing business information; publicity of sports events in the domain of football; retail services, including online retail services in relation to goods of common metal, machines and machine tools, hand tools and implements, optical and audio-visual and magnetic and electrical/electronic apparatus/equipment, medical apparatus/equipment, lighting and heating and cooking and refrigerating and drying and ventilating apparatus/equipment, vehicles and their accessories, goods of precious metals, jewellery and chronometric instruments, badges and pins, musical instruments, paper and cardboard goods, printed matter and stationery, tickets for sporting events, leather and imitation leather goods, luggage and bags and holders, umbrellas, house ware, furniture, promotional and display artic-

les, textile goods, clothing and headgear and footwear, embroidery and ribbons and braid and derivative goods, floor/ground coverings, games and playthings and sporting articles, food and food products, soft drinks and alcoholic drinks, solvents, paraffin, wax, bitumen and petroleum, fuels, oils, lubricants, transmission fluids, brake fluids, anti-freeze agents, coolants, hydraulic fluids, greases, gasoline, motor gasoline, diesel fuel, fuel gas, flammable gas, bio fuel, hub-caps, tires, tire covers, alloys for wheels, sun screens, roof racks, sports racks, seat covers, car covers, potato chips, French fries, milk, milk drink products, yoghurt drinks, milk shakes, dairy products, cheese, soya milk (milk substitute), soft drinks, mineral and aerated waters, energy drinks, isotonic drinks, fruit and vegetable drinks and juices, beers, ales, non-alcoholic beer, coffee, tea, cocoa, cakes, cookies, crackers, candies, ice cream, confectionery, chocolate confectionery, chocolate, corn chips, mustard, vinegar, sauces (condiments), hamburger sandwiches, cheeseburger sandwiches, sandwiches filled with fish, meat or vegetables, hot dog sandwiches, enabling customers to view and purchase these items on the market or on the Internet or wireless electronic communication; convenience store services in this class including retailing of food and beverage products; retail sale and supply of food and beverages through vending machines; retail sale of food in restaurants, cafeterias, bakeries, butcher shops, canteens, delicatessen shops (ice cream and yogurt shops, cafés, biscuit shops); retail services, including online retail services in relation to fuel, fuel gas, kerosene; biofuel, oils and engine grease, lubricants and greases, oils and liquids hydraulic transmission, fluids for hydraulic circuits and hydraulic oils, enabling customers to view and purchase these items on the market or on the Internet or wireless electronic communication; business administration services for the processing of sales made on the Internet or on wireless electronic communication device; invoicing services; sales promotion, namely providing advantage programs for customers; ticket sales promotion services; customer loyalty services and customer club services for commercial, promotional and /or advertising purposes; archiving of data in a central database, namely for still and moving images.

36 – Insurance; financial services; monetary services; real estate services; financial payment management; issuing vouchers to reward customer loyalty, which may contain personal information about the identity of the cardholder and allow access control at sports stadiums; issuance and management of credit cards and travellers' cheques; banking services; automated banking machine (ATM) services; electronic payment services made by prepaid cards; mobile payment services; credit and investment services; cheques guarantee card services; financial services in relation to cyber money; electronic wallet services (payment services); electronic fund transfer services; standing tra-

nsfer order services (financial services), including giro account services; telegraphic (banking) transfer services; online invoicing services (financial services); interest rate derivative products; currency and foreign exchange services; safe deposit services; home banking services; postal cheque account services; deposit services; stock and bond underwriting services (creating an online virtual trading environment for stock trading); financial consultancy services; share and bonds brokerage services; fiduciary services for corporate and individuals; financial sponsorship of sports events; providing online information relating to financial, banking, insurance and investment services; Internet banking services; payment services provided via wireless electronic telecommunications apparatus and devices; credit card, debit card and electronic check transaction processing services; retail banking services, namely services relating to lending and leasing, home mortgage, home equity, personal and education loans and lines of credit, corporate and commercial loans and factoring services, real estate lending, equipment financing and leasing, mortgage and loan servicing and syndication, automobile financing and leasing, trading services of financial products, investment deposit, financial guarantees (surety); currency and foreign exchange services, letters of credit and documentary credit, commission and trading services, asset management, hard currency.

37 – Service station services, namely, cleaning, lubrication, maintenance and repair of vehicles; anti-rust treatment for vehicles, engines and machinery; aircraft and trailers washing, polishing, greasing, lubrication, maintenance and repair; motor vehicle wash; maintenance and repair of vehicle tyres; vehicle tyre re-fitting and repair; installation and maintenance of wireless electronic communication networks (hardware); computer installation and repair; building construction and building restoration services; installation of recreation buildings, commercial buildings and office buildings, luxury yachts, and boats; construction, installation and repair of sports fields made of artificial or natural grass; construction, power plant construction and maintenance; pipeline construction and maintenance; installation and assembling of structures for the production of crude oil; installation of oil production apparatus; installation of solar power systems; installation of wind power systems; installation of hydropower systems; mining extraction services.

38 – Telecommunication services; communications by telephone and mobile telephones; electronic communications services by telephone; communication by radio; communications by facsimile; paging by radio; communications by teleconferencing; television broadcasting; radio broadcasting; press and news agency services; leasing of telephone sets, facsimile and other communication equipment; broadcasting of a commercial website on the Internet or on wireless electronic communication device; radio and television prog-

ramming and broadcasting services provided via satellite, cable or wireless networks; electronic messaging; providing access to a blog, chatroom, bulletin board or discussion service; providing online chat rooms and electronic bulletin boards for the transmission of messages, comments and multimedia content among users for social-networking; providing access to web sites containing maps, information about driving directions and the location of businesses; transmission of messages and images via computer; providing access to home and office shopping and ordering services via computer, a global computer network and/or interactive communications technologies; electronic mail services; providing telecommunications connections to the Internet or databases; providing access to digital music web sites on the Internet or on wireless electronic communication device; providing information on-line from a computer database or from the Internet, related to sports or sporting events; broadcasting of radio and television programs related to sports and sporting events; providing connections to computer installations (telecommunications services); providing access to a centralized computer and computer databases (IT service); providing access to the Internet via a global computer network or via wireless electronic communication device (IT service); streaming of video and audio material from the Internet; video, audio and television streaming services; providing access to internet search engines; entertainment services namely public viewings of sports events.

39 – Travel agency services, namely, travel arrangement and reservation; travel ticket reservation services and travel information and travel ticket sales services; air, railway, boat, bus and van transportation services; air transportation services featuring a frequent flyer bonus programme; tour boat services; tour operation services; vehicle rental services; rental of parking spaces; taxi services; freight shipping services; transport of goods by motor vehicle, lorry, rail, ship and aeroplane; packaging of goods; transport and delivery of goods, in particular documents, packages, parcels and letters; postal, courier and messenger delivery services, in particular, distribution of newspapers, magazines and books; warehousing services; distribution of water, heat, gas, or electricity; distribution (transport) of films and recordings of sound and images; distribution (transport) of tickets; GPS navigation services; distribution (transport), supply and storage of fuel, petroleum, oil, gas, lubricants, solvents, paraffin, wax and bitumen; transmission, distribution of electricity; transport of oil or gas through pipelines; transport and storage of waste; professional consultancy services relating to the distribution of power and electricity.

41 – Education; training; providing training courses; entertainment; entertainment services provided at or relating to sports events; organisation of sporting and cultural events and activities; organisation of lotteries and competitions; organisation of sporting competi-

tions and events in the field of football; providing sports facilities; fun park services; health and fitness club services; rental services for audio and video equipment; production, presentation, publication and/or rental of films, sound and video recordings; publication and/or rental of interactive educational and entertainment products, namely films, books, compact discs, DVDs, mini-discs, CD-ROMs; publication of statistics and other information on sports performances; radio and television reporting of sporting events; production and editing services for radio and television programmes; photography services; photography, audio and videotaping production services; production of animated movies; production of animated television programs; seat booking services for entertainment and sporting events; ticket reservation services for entertainment and sporting events; sports ticket agency services; timing of sports events; recording of sports events; organisation of beauty contests; interactive entertainment; gambling services; providing of raffle services; online game services; providing online entertainment in the nature of game tournaments; organization of computer game competitions including online game competitions; information relating to entertainment or education, provided on-line from a computer database or the Internet or on wireless electronic communication device; electronic games services provided by means of the Internet or on wireless electronic communication device (entertainment); publication of books; publication of electronic books and journals on-line; entertainment services in the form of chat rooms on the Internet or on wireless electronic communication device; entertainment services in the form of cinema performances; translation services; interpreter services; hospitality services, namely customers reception services, including provision of tickets for sporting or entertainment events; providing online information in the fields of sports or sports events from a computer database or the Internet.

42 – Leasing of computer hardware and computer software; computer consulting services; data processing (programming); computer software design services; creation, design, compilation and maintenance of websites or sites on wireless electronic communication device; installation and maintenance of computer software; creation and maintenance of wireless electronic communication networks; compilation of web sites in computer networks (particularly the Internet) or on wireless electronic communication; introduction of websites on the Internet or on wireless electronic communication; hosting of websites on the Internet or on wireless electronic communication device; providing computer programs; providing search engines for the Internet; providing non-downloadable software to enable users to create and share text, documents, images, photos, videos, maps and roadmaps; development of computer services, namely, creating virtual communities for users to organize groups and events, par-

ticipate in discussions, and engage in social, business and community networking; hosting web sites on the Internet allowing others to organize and conduct meetings, events and interactive discussions via communication networks; application service provider (ASP) services, namely, hosting computer software applications of others; development of computer software application solutions; cloud computing services; design and development of operating software for accessing and using a cloud computing network; providing software to enable or facilitate the uploading, downloading, streaming, posting, displaying, blogging, linking, sharing or otherwise providing electronic media or information over communication networks; providing access to Internet platforms (also mobile Internet) in the nature of customized web pages featuring user-defined or specified information, personal profiles, audio, video, photographic images, text, graphics and data; providing temporary use of non-downloadable software applications for social networking, creating a virtual community, and transmission of audio, video, photographic images, texts, graphics and data; providing of software through a web site featuring a technology that enables online users to create personal profiles featuring social networking information and to transfer and share such information among multiple websites; exploration services to locate oil and gas; geological exploration services; analyses services for exploiting oilfields; research, development, analysis, advisory, consultancy and design services related to technology in the oil and petroleum industry; technical consulting, design and planning, of photovoltaic installations; technical consulting, design and planning of wind installations; research, development, analysis, advisory and consultancy services in relation to electronic control units for monitoring solar electric and/or wind power systems; design of energy and power systems; analysis relating to energy and power needs of others; development of energy and power management systems; project studies and professional consultancy services relating to power and energy needs of others; design services for power plants; security services for protection against unauthorised access to networks.

(260) AM 2021 108916 A

(800) 1538877

(151) 2020 02 18

(891) 2020 02 18

(731) Individual'nyj predprinimatel' Beljov Anatolij Gennad'evich
ul. Tereshkovoij, 48, kv. 511, RU-630090
Novosibirsk, Russian Federation

(540)



(591) Red, blue and black
 (531) 01.01.02; 01.01.14; 27.03.12; 27.05.11;
 27.05.17; 28.05; 29.01.13
 (526) Automotive
 (511)
 9 – Accumulators, electric; battery chargers; chargers for electric batteries.
 35 – Rental of advertising space; auctioneering; demonstration of goods; market studies; import-export agency services; bill-posting; distribution of samples; advertising; retail and wholesale services through intermediaries; retail and wholesale services.
 42 – Design of new products.

(260) AM 2021 108918 A
 (800) 1538947
 (151) 2020 01 30
 (891) 2020 01 30
 (731) US Pharmacia International, Inc.
 966 Hungerford Drive, Suite 3B, Rockville
 Maryland 20850, USA
 (540)

APAP

(591) Black, white
 (511)
 3 – Cosmetics; cosmetic preparations for slimming purposes; shaving preparations; breath fresheners; dentifrices and preparations for oral cavity care; hair preparations and treatments; sun-tanning preparations [cosmetics]; perfumery; perfumes; tissues impregnated with cosmetic lotions; depilatory preparations; sanitary preparations included in this class; ethereal oils.
 5 – Pharmaceutical products; medical preparations; vitamins; minerals included in this class; mineral food supplements; mineral waters for medical purposes; parapharmaceuticals; food supplements; dietetic foods for medical purposes; dietetic substances for medical purposes; herbal preparations for medical purposes; medicinal herbs; medicinal tea; biocides; biological and bactericidal products for medical purposes; vaccines; serums; blood-derived products; biotechnological products for medical purposes; pharmaceutical preparations for skin care; anti-acne products; dental preparations and materials; pharmaceutical lotions; infant formula; dressings, medical; sanitary preparations for medical purposes; disinfectants; veterinary preparations; chemical products for medical use; diagnostic preparations for medical purposes; therapeutic suppositories; enzyme preparations for medical purposes; chewing gums for medical purposes; medicinal drinks and herbs and medicinal infusions; tonics [medicines]; adhesive plasters; poultices; medicinal cosmetics; compresses.

10 – Medical instruments included in this class; silicone gel sheeting for the treatment of scars; ice packs for the treatment of injuries.

(260) AM 2021 108919 A
 (800) 1538965
 (151) 2020 02 20
 (891) 2020 02 20
 (731) KMEW Co., Ltd.
 2-27, Shiromi 1-chome, Chuo-ku, Osaka-shi,
 Osaka 540-6013, Japan
 (540)

Legerair

(591) Black, white
 (531) 27.05.17
 (511)
 6 – Iron and steel; nonferrous metals and their alloys; ores of metal; metal materials for building or construction; prefabricated building assembly kits of metal; metal moulds for forming cement products; metal junctions for pipes; metal flanges; road signs of metal [not luminous nor mechanical]; beacons of metal, non-luminous; wall plaques made of metal; containers of metal for transport; metal hardware, not including "security locks, keys of metal for locks, ring of metal for keys and padlocks"; wire nets and gauzes; metal nameplates and door nameplates; letter boxes of metal; water tanks of metal for household purposes; towel dispensers of metal; metal joinery fittings; safes; outdoor blinds of metal; upright signboards of metal; transportable greenhouses of metal for household use; metal tombs and metal tomb plaques.

19 – Ceramic building materials, bricks and refractory products; plastic building materials; synthetic building materials; asphalt, and asphalt building or construction materials; rubber building or construction materials; plaster for building purposes; lime building or construction materials; building or construction materials of plaster; rockslide retention nets of textiles [construction materials]; buildings, not of metal; cement and its products; building timber; building stone; building glass; non-metallic minerals for building or construction; joinery fittings, not of metal; tar; pitch; flagpoles [structures], not of metal; erosion control mats integrating plants seeds; plastic security windows allowing communication; moulds for forming cement products, not of metal; water-pipe valves, not of metal or plastics; reservoirs, not of metal or plastics; letter boxes of masonry; outdoor blinds, not of metal or textile; transportable greenhouses, not of metal for household use; nonmetallic mineral materials for building or construction [unworked or partly worked]; siding materials, not of metal; siding materials of cement; plank siding, not of metal; plank

siding of cement; roof coverings not of metal; non-metallic roof tiles; roof panels, not of metal; roofs and roof structures, not of metal; non-metal roof materials and roof elements for example roofing panels; roofing elements of fiber reinforced cement; panels and boards made of fiber-reinforced cement; non-metallic sidings; fiber cement siding; concrete building panels; fiber cement; building materials made of fiber cement; concrete reinforced with synthetic fibers; cement based wall coatings; cement wall components; calcium silicate boards; wood-fiber reinforced cement boards; fiber reinforced cement boards.

(260) AM 2021 108920 A

(800) 1538989

(151) 2019 09 27

(891) 2019 09 27

(731) Apple Inc.

One Apple Park Way, Cupertino CA 95014,
USA

(540)



The logo consists of the Apple logo (a silhouette of an apple with a bite taken out) followed by the word "Music" in a bold, sans-serif font.

(591) Black, white

(531) 05.07.13; 05.07.23

(526) Music

(511)

38 – Broadcasting and transmission of voice, data, images, music, audio, video, multimedia, television, and radio by means of telecommunications networks; broadcast and transmission of streamed music, audio, video, and multimedia content by means of telecommunications networks; transfer of music, audio, video, and multimedia to matched users by means of telecommunications networks; providing access to websites, databases, electronic bulletin boards, online forums, directories, music, and audio and video content programs on the Internet by means of telecommunications networks; broadcast and transmission of streamed music, audio, video, and multimedia content by means of radio, television, internet, and satellite for business use; streaming of data; streaming of audio and video material on the Internet featuring performances, documentaries, music, and interviews featuring musical artists; streaming of audio and visual content featuring musical artists; audio and video broadcasting services over the Internet featuring performances, documentaries, music, and interviews featuring musical artists; audio broadcasting and video broadcasting featuring musical artists; delivery of digital music by electronic transmission; providing streaming audio and video entertainment content to users through a subscription service provided online via a communication network.

41 – Arranging, organizing, conducting, and presenting concerts, live musical performances, entertainment special events in the nature of musical and cultural events, arts and cultural events, theatrical entertainment in the nature of live theatrical performances, and exhibitions for entertainment purposes; production and distribution of radio programs, television programs, and sound recordings; entertainment services, namely, providing ongoing television, radio, audio programs, video programs, podcasts, and webcast programs in the field of entertainment; providing audio and video programming featuring entertainment, sports, music, information, and news by means of telecommunications networks; provision of live entertainment and recorded entertainment, namely, musical performances; providing non-downloadable audio and video programming featuring entertainment, sports, music, informational, and current events news programming; providing entertainment information, sports information, music information, news in the fields of music and entertainment, and arts and culture information via websites and computer applications; providing information in the field of entertainment, music, sports, news in the fields of music and entertainment, and arts and culture via websites and computer applications; entertainment services, namely, providing information, reviews and personalized recommendations of entertainment in the nature of music, arts and cultural events, concerts, live musical and cultural performances, fairs for entertainment purposes, music festivals for cultural or entertainment purposes, and exhibitions for entertainment purposes; entertainment services, namely, providing reviews, and ratings, and providing interactive websites for entertainment purposes for the sharing of reviews, and ratings of users all relating to entertainment, art and cultural events, concerts, live musical performances, entertainment fairs, music festivals for cultural or entertainment purposes, and exhibitions for entertainment purposes (terms too vague in the opinion of the International Bureau – Rule 13 (2) (b) of the Regulations); providing pre-recorded music, video programs for use on mobile communications devices via a global computer network and wireless networks; publication of articles, all in the fields of music and entertainment; providing non-downloadable publications in the nature of articles, all in the fields of music and entertainment, for entertainment purposes via websites; news reporting in the field of music and entertainment; production of programmed music and video displays for subscribers; audio and video recording and production services for others; music service, namely, providing specially programmed background non-downloadable music for retail establishments, public areas, and commercial establishments via telecommunications networks, computer networks, the Internet, satellite, radio, and wireless networks; musical, radio, television and video entertainment services, namely, custom arrangement and editing of music, au-

dio and video programs; custom music programming services; entertainment services in the nature of development, creation, production, and distribution of musical artist video documentary series; entertainment services, namely, providing on-line non-downloadable music, interviews, live music performances, and videos featuring musical artists via a website; entertainment services, namely, a multimedia program series featuring musical artists distributed via various platforms across multiple forms of transmission media; entertainment services, namely, providing non-downloadable, pre-recorded music, video programs, and graphics for use on mobile communications devices via a global computer network and wireless networks.

42 – Providing online non-downloadable software for use in generating customized recommendations of audio, video, data, text and other multimedia content; providing online non-downloadable software for use in creating and sharing playlists of audio and multimedia files; providing online non-downloadable software for use in connection with an online music subscription service; providing online non-downloadable software for use in playing, organizing, downloading, transmitting, manipulating, and reviewing audio files and media files; providing online non-downloadable software for use in the delivery, distribution and transmission of digital music and entertainment-related audio, video, text and multimedia content; providing search engines for obtaining data via the internet and other electronic communications networks; computer services, namely, providing customized web pages and other data feed formats featuring a user-customized feed of information in the fields of news, commentary, and other information, content from periodicals, blogs, and websites, and other text, audio, video, and multimedia content; creating website-based indexes of online information, websites and other resources available via a global computer network for others; providing information relating to computer hardware and software technology provided on-line via a global computer network and the Internet; electronic data storage services; hosting a website featuring technology allowing the user to preview, view, upload, download, post, edit, store, share, purchase, and review images, audio, videos, publications, podcasts, and multimedia content; hosting a website enabling users to download audio and video entertainment content through a subscription service provided online via a communication network; providing temporary use of online non-downloadable computer software for entertainment purposes for the sharing of reviews, and ratings of users all relating to entertainment, art and cultural events, concerts, live musical performances, entertainment fairs, music festivals for cultural or entertainment purposes, and exhibitions for entertainment purposes; hosting an interactive website featuring technology that allows users to the upload,

store, share and view and post images, audio, videos, podcasts, and multimedia content.

(260) AM 2021 108983 A

(800) 1539663

(151) 2020 05 12

(891) 2020 05 12

(731) PHARM-MANAGEMENT LLC

Vavilova street, 9A, str. 3, office 3, RU-117312

Moscow, Russian Federation

(540)

ЛИЗОТАБ

(591) Black, white

(531) 28.05

(511)

5 – Dental abrasives; aconitine; adhesives for dentures; air purifying preparations; albuminous foodstuffs for medical purposes; albuminous preparations for medical purposes; medicinal alcohol; aldehydes for pharmaceutical purposes; alloys of precious metals for dental purposes; dental amalgams; starch for dietetic or pharmaceutical purposes; anaesthetics; dill oil for medical purposes; adhesive plasters; angostura bark for medical purposes; preparations for destroying noxious animals; asthmatic tea; frostbite salve for pharmaceutical purposes; hemorrhoid preparations; preparations for destroying dry rot fungus; mothproofing preparations; antiparasitic preparations; antiseptics; antiseptic cotton; anti-uric preparations; wart pencils; aseptic cotton; fly catching paper; media for bacteriological cultures; bacteriological preparations for medical and veterinary use; bacterial poisons; bacterial preparations for medical and veterinary use; corn rings for the feet; bath preparations for medical purposes; salts for mineral water baths; oxygen baths; sea water for medicinal bathing; therapeutic preparations for the bath; balsamic preparations for medical purposes; bandages for dressings; balms for medical purposes; cattle washes; biocides; bismuth preparations for pharmaceutical purposes; lead water; insecticides; charcoal for pharmaceutical purposes; medicinal mud; mud for baths; preparations for the treatment of burns; cachou for pharmaceutical purposes; preparations for callouses; calomel; powder of cantharides; rubber for dental purposes; syrups for pharmaceutical purposes; capsules for medicines; pharmaceutical preparations; poultices; wadding for medical purposes; lint for medical purposes; lime-based pharmaceutical preparations; dog washes; repellents for dogs; chemico-pharmaceutical preparations; hydrated chloral for pharmaceutical purposes; chloroform; tobacco-free cigarettes for medical purposes; dental cements; cement for animal hooves; molding wax for dentists; fumigating sticks; cocaine; antiparasitic collars for animals; collyrium; compresses; vitamin preparations; chemical conductors for electrocardiograph electrodes; conduran-

go bark for medical purposes; medicines for alleviating constipation; solutions for contact lenses; chemical contraceptives; radiological contrast substances for medical purposes; corn remedies; cotton for medical purposes; pharmaceutical preparations for treating sunburn; caustic pencils; chilblain preparations; hemostatic pencils; croton bark; curare; vaccines; detergents for medical purposes; decoctions for pharmaceutical purposes; teeth filling material; dental impression materials; dental lacquer; dental mastics; dressings, medical; porcelain for dental prostheses; preparations to facilitate teething; depuratives; disinfectants for hygiene purposes; deodorants, other than for human beings or for animals; preparations for destroying mice; diabetic bread adapted for medical use; digestives for pharmaceutical purposes; digitalin; analgesics; drugs for medical purposes; medicine cases, portable, filled; magnesia for pharmaceutical purposes; melissa water for pharmaceutical purposes; mineral waters for medical purposes; mineral water salts; thermal water; barks for pharmaceutical purposes; elixirs [pharmaceutical preparations]; solvents for removing adhesive plasters; anticryptogamic preparations; vulnerary sponges; salts for medical purposes; esters for pharmaceutical purposes; ethers for pharmaceutical purposes; surgical dressings; eucalyptol for pharmaceutical purposes; eucalyptus for pharmaceutical purposes; purgatives; flour for pharmaceutical purposes; lacteal flour for babies; febrifuges; medicinal infusions; medicinal tea; cod liver oil; fungicides; nervines; guaiacol for pharmaceutical purposes; vermifuges; gauze for dressings; laxatives; gelatine for medical purposes; gentian for pharmaceutical purposes; germicides; glycerophosphates; gum for medical purposes; linseed for pharmaceutical purposes; greases for medical purposes; greases for veterinary purposes; chemical preparations for the diagnosis of pregnancy; medicinal oils; hematogen; hemoglobin; medicinal herbs; hormones for medical purposes; mustard oil for medical purposes; hydrastine; hydrastinine; absorbent cotton; semen for artificial insemination; insect repellents; tincture of iodine; peptones for pharmaceutical purposes; iodoform; Irish moss for medical purposes; jalap; liquorice for pharmaceutical purposes; tobacco extracts [insecticides]; milk ferments for pharmaceutical purposes; malted milk beverages for medical purposes; animal washes; linseed meal for pharmaceutical purposes; lotions for pharmaceutical purposes; lactose for pharmaceutical purposes; larvae exterminating preparations; yeast for pharmaceutical purposes; slug exterminating preparations; liniments; lupulin for pharmaceutical purposes; chewing gum for medical purposes; mangrove bark for pharmaceutical purposes; sanitary panties; mint for pharmaceutical purposes; chemical preparations to treat mildew; malt for pharmaceutical purposes; herbicides; sulfur sticks [disinfectants]; pomades for medical purposes; tinctures for medical purposes; serums; menthol; mercurial ointments; nutritive substances for microorganisms; cultures of mic-

roorganisms for medical or veterinary use; rat poison; fly glue; fly destroying preparations; mustard for pharmaceutical purposes; lotions for veterinary purposes; myrobalan bark for pharmaceutical purposes; chemical preparations to treat wheat blight [smut]; narcotics; smelling salts; ointments for pharmaceutical purposes; opiates; opium; opodeldoc; opotherapy preparations; dental amalgams of gold; pectin for pharmaceutical purposes; sanitary tampons; sanitary pads; sanitary towels; phenol for pharmaceutical purposes; paper for mustard plasters; parasiticides; pharmaceutical preparations for skin care; herbal teas for medicinal purposes; pharmaceutical preparations for treating dandruff; pepsins for pharmaceutical purposes; cachets for pharmaceutical purposes; first-aid boxes, filled; phosphates for pharmaceutical purposes; chemical preparations for treating phylloxera; remedies for foot perspiration; blood plasma; poisons; potassium salts for medical purposes; pyrethrum powder; quebracho for medical purposes; quassia for medical purposes; quinquina for medical purposes; quinine for medical purposes; chinoline for medical purposes; radioactive substances for medical purposes; radium for medical purposes; medicinal roots; rhubarb roots for pharmaceutical purposes; tonics [medicines]; sarsaparilla for medical purposes; blood for medical purposes; leeches for medical purposes; scapulars for surgical purposes; sedatives; ergot for pharmaceutical purposes; serotherapeutic medicines; mustard plasters; soil-sterilising preparations; soporifics; sodium salts for medical purposes; sterilising preparations; strychnine; styptic preparations; sugar for medical purposes; sulfonamides [medicines]; suppositories; tartar for pharmaceutical purposes; turpentine for pharmaceutical purposes; oil of turpentine for pharmaceutical purposes; thymol for pharmaceutical purposes; remedies for perspiration; mothproofing paper; veterinary preparations; vine disease treating chemicals; vermin destroying preparations; vesicants; acetates for pharmaceutical purposes; acids for pharmaceutical purposes; alkaloids for medical purposes; dietetic foods adapted for medical purposes; food for babies; aluminium acetate for pharmaceutical purposes; milk of almonds for pharmaceutical purposes; sunburn ointments; bath salts for medical purposes; stick liquorice for pharmaceutical purposes; bicarbonate of soda for pharmaceutical purposes; biological preparations for medical purposes; bromine for pharmaceutical purposes; dietetic beverages adapted for medical purposes; camphor oil for medical purposes; camphor for medical purposes; medicated sweets; carbolineum [parasiticide]; algicides; lecithin for medical purposes; gases for medical purposes; panty liners [sanitary]; royal jelly for pharmaceutical purposes; medical preparations for slimming purposes; cellulose esters for pharmaceutical purposes; caustics for pharmaceutical purposes; cellulose ethers for pharmaceutical purposes; by-products of the processing of cereals for dietetic or medical purposes; chemical preparations for pharmaceutical

purposes; collodion for pharmaceutical purposes; creosote for pharmaceutical purposes; medicines for dental purposes; medicines for human purposes; medicines for veterinary purposes; diagnostic preparations for medical purposes; glycerine for medical purposes; medicinal drinks; ferments for pharmaceutical purposes; flowers of sulfur for pharmaceutical purposes; formic aldehyde for pharmaceutical purposes; smoking herbs for medical purposes; fumigation preparations for medical purposes; gallic acid for pharmaceutical purposes; petroleum jelly for medical purposes; glucose for medical purposes; gamboge for medical purposes; gurjun [gurjon, gurjan] balsam for medical purposes; extracts of hops for pharmaceutical purposes; castor oil for medical purposes; hydrogen peroxide for medical purposes; iodine for pharmaceutical purposes; iodides for pharmaceutical purposes; alkaline iodides for pharmaceutical purposes; isotopes for medical purposes; dietetic substances adapted for medical use; diapers for incontinents; biological preparations for veterinary purposes; chemical preparations for medical purposes; chemical preparations for veterinary purposes; chemical reagents for medical or veterinary purposes; contact lens cleaning preparations; diastase for medical purposes; dietary fiber; enzymes for medical purposes; enzymes for veterinary purposes; enzyme preparations for medical purposes; enzyme preparations for veterinary purposes; pants, absorbent, for incontinents; siccatives [drying agents] for medical purposes; tissues impregnated with pharmaceutical lotions; preparations of trace elements for human and animal use; amino acids for medical purposes; amino acids for veterinary purposes; breast-nursing pads; cedar wood for use as an insect repellent; disinfectants for chemical toilets; fish meal for pharmaceutical purposes; mineral food supplements; mouthwashes for medical purposes; nutritional supplements; bone cement for surgical and orthopaedic purposes; insect repellent incense; acaricides; antibiotics; appetite suppressants for medical purposes; bronchodilating preparations; bunion pads; moleskin for medical purposes; vaginal washes; medicinal hair growth preparations; steroids; adjuvants for medical purposes; surgical implants comprised of living tissues; eyepatches for medical purposes; oxygen for medical purposes; deodorants for clothing and textiles; air deodorising preparations; douching preparations for medical purposes; stem cells for medical purposes; stem cells for veterinary purposes; biological tissue cultures for medical purposes; biological tissue cultures for veterinary purposes; cooling sprays for medical purposes; personal sexual lubricants; aloe vera preparations for pharmaceutical purposes; pearl powder for medical purposes; preparations for reducing sexual activity; babies' diapers [napkins]; babies' napkin-pants [diaper-pants]; eye-washes; appetite suppressant pills; slimming pills; tanning pills; antioxidant pills; dietary supplements for animals; albumin dietary supplements; linseed dietary supplements;

linseed oil dietary supplements; wheat germ dietary supplements; yeast dietary supplements; royal jelly dietary supplements; propolis for pharmaceutical purposes; propolis dietary supplements; pollen dietary supplements; enzyme dietary supplements; glucose dietary supplements; lecithin dietary supplements; alginate dietary supplements; alginates for pharmaceutical purposes; casein dietary supplements; protein dietary supplements; protein supplements for animals; reagent paper for medical or veterinary purposes; alcohol for pharmaceutical purposes; pesticides; diapers for pets; disinfectants; surgical glues; diagnostic biomarker reagents for medical purposes; acne treatment preparations; medicated animal feed; infant formula; powdered milk for babies; collagen for medical purposes; plant extracts for pharmaceutical purposes; pharmaceuticals; preparations of microorganisms for medical or veterinary use; fennel for medical purposes; milking grease; bismuth subnitrate for pharmaceutical purposes; adhesive tapes for medical purposes; pastilles for pharmaceutical purposes; diagnostic preparations for veterinary purposes; cotton sticks for medical purposes.

(260) AM 2021 108985 A

(800) 1539706

(151) 2020 04 13

(891) 2020 04 13

(731) Mayflower Footwear Co., Ltd.

No. 8-2 Qianjin Road, Suining Economic
Development Zone, Xuzhou, 221200 Jiangsu
Province, China

(540)

C.BANNER

(591) Black, white

(531) 27.05.01

(511)

25 – Clothing; clothing for babies, toddlers and children; footwear; boots; hats; hosiery; scarves; gloves [clothing]; leather belts [clothing]; insoles.

INTERNATIONAL TRADEMARKS PROTECTED IN GEORGIA

(260) AM 2021 102849 A
(800) 1462437
(151) 2018 08 20
(181) 2028 08 20
(891) 2018 08 20
(511) 09, 11, 35

(260) AM 2021 106856 A
(800) 1510698
(151) 2019 11 26
(181) 2029 11 26
(891) 2019 11 26
(511) 05

(260) AM 2021 105899 A
(800) 1499875
(151) 2019 10 10
(181) 2029 10 10
(891) 2019 10 10
(511) 29, 30, 32

(260) AM 2021 106857 A
(800) 1510714
(151) 2019 09 13
(181) 2029 09 13
(891) 2019 09 13
(511) 03, 05, 10

(260) AM 2021 106559 A
(800) 1508393
(151) 2019 08 12
(181) 2029 08 12
(891) 2019 08 12
(511) 08, 09, 10, 11, 14, 18, 24, 25, 26

(260) AM 2021 106858 A
(800) 1510733
(151) 2019 12 06
(181) 2029 12 06
(891) 2019 12 06
(511) 03, 05, 35, 44

(260) AM 2021 106572 A
(800) 1508632
(151) 2019 07 25
(181) 2029 07 25
(891) 2019 07 25
(511) 03, 05, 08, 09, 10, 11, 14, 16, 18, 20, 21, 24, 25,
26, 35, 39, 40, 42, 44

(260) AM 2021 106873 A
(800) 1510999
(151) 2019 11 06
(181) 2029 11 06
(891) 2019 11 06
(511) 09, 25

(260) AM 2021 106622 A
(800) 1509066
(151) 2019 11 28
(181) 2029 11 28
(891) 2019 11 28
(511) 07, 08, 09

(260) AM 2021 106874 A
(800) 1511011
(151) 2019 05 31
(181) 2029 05 31
(891) 2019 05 31
(511) 09, 18

(260) AM 2021 106712 A
(800) 1509880
(151) 2019 11 26
(181) 2029 11 26
(891) 2019 11 26
(511) 03, 05, 10, 31, 32

(260) AM 2021 106880 A
(800) 1511096
(151) 2019 12 04
(181) 2029 12 04
(891) 2019 12 04
(511) 29

(260) AM 2021 106737 A
(800) 1510354
(151) 2019 05 14
(181) 2029 05 14
(891) 2019 05 14
(511) 29, 30, 32

(260) AM 2021 106881 A
(800) 1511109
(151) 2019 11 11
(181) 2029 11 11
(891) 2019 11 11
(511) 14

(260) AM 2021 106882 A
(800) 1511123
(151) 2019 10 04
(181) 2029 10 04
(891) 2019 10 04
(511) 07

(260) AM 2021 106884 A
(800) 1511200
(151) 2019 10 31
(181) 2029 10 31
(891) 2019 10 31
(511) 03

(260) AM 2021 106885 A
(800) 1511223
(151) 2019 11 29
(181) 2029 11 29
(891) 2019 11 29
(511) 09

(260) AM 2021 106887 A
(800) 1511268
(151) 2019 11 05
(181) 2029 11 05
(891) 2019 11 05
(511) 25, 35

(260) AM 2021 106890 A
(800) 1511340
(151) 2019 11 06
(181) 2029 11 06
(891) 2019 11 06
(511) 03, 05, 35, 42, 44

(260) AM 2021 106891 A
(800) 1511365
(151) 2019 12 10
(181) 2029 12 10
(891) 2019 12 10
(511) 08, 09, 16, 18

(260) AM 2021 106892 A
(800) 1511373
(151) 2019 12 10
(181) 2029 12 10
(891) 2019 12 10
(511) 09, 16, 18

(260) AM 2021 106893 A
(800) 1511389
(151) 2019 12 05

(181) 2029 12 05
(891) 2019 12 05
(511) 08, 09, 16

(260) AM 2021 106894 A
(800) 1511401
(151) 2019 10 30
(181) 2029 10 30
(891) 2019 10 30
(511) 43

(260) AM 2021 106896 A
(800) 1511449
(151) 2019 10 23
(181) 2029 10 23
(891) 2019 10 23
(511) 09, 41

(260) AM 2021 106897 A
(800) 1511478
(151) 2019 06 11
(181) 2029 06 11
(891) 2019 06 11
(511) 07, 35, 41

(260) AM 2021 106898 A
(800) 1511521
(151) 2019 12 05
(181) 2029 12 05
(891) 2019 12 05
(511) 01, 05

(260) AM 2021 106899 A
(800) 1511529
(151) 2019 12 05
(181) 2029 12 05
(891) 2019 12 05
(511) 01, 05

(260) AM 2021 106900 A
(800) 1511531
(151) 2019 10 23
(181) 2029 10 23
(891) 2019 10 23
(511) 35

(260) AM 2021 106901 A
(800) 1511546
(151) 2019 12 11
(181) 2029 12 11

(891) 2019 12 11
(511) 05

(891) 2019 09 09
(511) 09, 28, 41

(260) AM 2021 106902 A
(800) 1511570
(151) 2019 12 17
(181) 2029 12 17
(891) 2019 12 17
(511) 25

(260) AM 2021 106967 A
(800) 1511867
(151) 2019 12 03
(181) 2029 12 03
(891) 2019 12 03
(511) 12, 28

(260) AM 2021 106903 A
(800) 1511629
(151) 2019 04 10
(181) 2029 04 10
(891) 2019 04 10
(511) 07, 09, 11, 37, 42, 45

(260) AM 2021 106968 A
(800) 1511905
(151) 2019 12 05
(181) 2029 12 05
(891) 2019 12 05
(511) 01, 05

(260) AM 2021 106904 A
(800) 1511676
(151) 2019 11 25
(181) 2029 11 25
(891) 2019 11 25
(511) 12

(260) AM 2021 106969 A
(800) 1511942
(151) 2019 09 17
(181) 2029 09 17
(891) 2019 09 17
(511) 06, 19

(260) AM 2021 106905 A
(800) 1511680
(151) 2019 11 21
(181) 2029 11 21
(891) 2019 11 21
(511) 18, 24, 25

(260) AM 2021 106970 A
(800) 1512010
(151) 2019 09 13
(181) 2029 09 13
(891) 2019 09 13
(511) 03, 05, 10

(260) AM 2021 106907 A
(800) 1511746
(151) 2019 07 16
(181) 2029 07 16
(891) 2019 07 16
(511) 03

(260) AM 2021 106971 A
(800) 1512043
(151) 2019 12 16
(181) 2029 12 16
(891) 2019 12 16
(511) 35

(260) AM 2021 106908 A
(800) 1511762
(151) 2019 06 10
(181) 2029 06 10
(891) 2019 06 10
(511) 01, 02, 03, 05, 06, 08, 09, 10, 11, 13, 14, 15, 16,
17, 18, 19, 20, 21, 22, 23, 24, 25, 26, 27, 28, 29,
30, 31, 32, 33, 34, 35, 36, 37, 38, 39, 40, 41, 42,
43, 44, 45

(260) AM 2021 106972 A
(800) 1512130
(151) 2019 08 09
(181) 2029 08 09
(891) 2019 08 09
(511) 05

(260) AM 2021 106909 A
(800) 1511766
(151) 2019 09 09
(181) 2029 09 09

(260) AM 2021 106973 A
(800) 1512186
(151) 2019 09 04
(181) 2029 09 04
(891) 2019 09 04
(511) 03, 05, 10, 21, 24, 30, 32

(260) AM 2021 106974 A
(800) 1512229
(151) 2019 09 24
(181) 2029 09 24
(891) 2019 09 24
(511) 09

(260) AM 2021 106977 A
(800) 1512282
(151) 2019 12 06
(181) 2029 12 06
(891) 2019 12 06
(511) 03, 05, 35, 44

(260) AM 2021 106980 A
(800) 1512377
(151) 2019 08 07
(181) 2029 08 07
(891) 2019 08 07
(511) 33

(260) AM 2021 106981 A
(800) 1512378
(151) 2019 12 19
(181) 2029 12 19
(891) 2019 12 19
(511) 13

(260) AM 2021 106982 A
(800) 1512380
(151) 2019 11 26
(181) 2029 11 26
(891) 2019 11 26
(511) 05

(260) AM 2021 106983 A
(800) 1512385
(151) 2019 11 15
(181) 2029 11 15
(891) 2019 11 15
(511) 09, 14, 18, 25, 35, 41

(260) AM 2021 106985 A
(800) 1512400
(151) 2019 11 26
(181) 2029 11 26
(891) 2019 11 26
(511) 05

(260) AM 2021 106987 A
(800) 1512513
(151) 2020 01 02

(181) 2030 01 02
(891) 2020 01 02
(511) 03, 08, 11, 26

(260) AM 2021 106988 A
(800) 1512532
(151) 2019 12 05
(181) 2029 12 05
(891) 2019 12 05
(511) 07, 09, 11

(260) AM 2021 106989 A
(800) 1512563
(151) 2019 12 06
(181) 2029 12 06
(891) 2019 12 06
(511) 03, 05, 35, 44

(260) AM 2021 106990 A
(800) 1512567
(151) 2019 12 16
(181) 2029 12 16
(891) 2019 12 16
(511) 34

(260) AM 2021 106996 A
(800) 1512719
(151) 2019 12 03
(181) 2029 12 03
(891) 2019 12 03
(511) 09, 11, 35

(260) AM 2021 106997 A
(800) 1512778
(151) 2019 12 02
(181) 2029 12 02
(891) 2019 12 02
(511) 33

(260) AM 2021 107000 A
(800) 1512882
(151) 2019 09 07
(181) 2029 09 07
(891) 2019 09 07
(511) 07

(260) AM 2021 107002 A
(800) 1513017
(151) 2019 10 30
(181) 2029 10 30

(891) 2019 10 30
(511) 43

(260) AM 2021 107004 A
(800) 1513049
(151) 2019 08 29
(181) 2029 08 29
(891) 2019 08 29
(511) 02, 16

(260) AM 2021 107005 A
(800) 1513084
(151) 2019 10 14
(181) 2029 10 14
(891) 2019 10 14
(511) 20, 28, 37, 40, 41

(260) AM 2021 107009 A
(800) 1513154
(151) 2019 10 02
(181) 2029 10 02
(891) 2019 10 02
(511) 36

(260) AM 2021 107010 A
(800) 1513204
(151) 2019 11 14
(181) 2029 11 14
(891) 2019 11 14
(511) 01, 03, 04

(260) AM 2021 107011 A
(800) 1513241
(151) 2019 07 15
(181) 2029 07 15
(891) 2019 07 15
(511) 09, 36

(260) AM 2021 107012 A
(800) 1513286
(151) 2019 12 16
(181) 2029 12 16
(891) 2019 12 16
(511) 04, 09, 36, 37, 39, 42

(260) AM 2021 107014 A
(800) 1513294
(151) 2019 10 02
(181) 2029 10 02
(891) 2019 10 02
(511) 36

(260) AM 2021 107020 A
(800) 1300306
(151) 2016 02 19
(181) 2026 02 19
(891) 2019 11 26
(511) 03

(260) AM 2021 107021 A
(800) 1310476
(151) 2016 07 04
(181) 2026 07 04
(891) 2019 12 11
(511) 18

(260) AM 2021 107022 A
(800) 1354819
(151) 2017 04 18
(181) 2027 04 18
(891) 2020 01 20
(511) 18, 25, 35

(260) AM 2021 107023 A
(800) 1395018
(151) 2017 10 10
(181) 2027 10 10
(891) 2019 12 13
(511) 05

(260) AM 2021 107024 A
(800) 1411315
(151) 2018 06 08
(181) 2028 06 08
(891) 2020 01 20
(511) 01, 05

(260) AM 2021 107025 A
(800) 1413610
(151) 2018 04 06
(181) 2028 04 06
(891) 2019 11 22
(511) 03, 05

(260) AM 2021 107076 A
(800) 1513589
(151) 2019 12 20
(181) 2029 12 20
(891) 2019 12 20
(511) 32

(260) AM 2021 107077 A
(800) 1513597
(151) 2020 01 09

(181) 2030 01 09
(891) 2020 01 09
(511) 32

(260) AM 2021 107078 A
(800) 1513603
(151) 2019 12 27
(181) 2029 12 27
(891) 2019 12 27
(511) 05

(260) AM 2021 107079 A
(800) 1513652
(151) 2019 08 28
(181) 2029 08 28
(891) 2019 08 28
(511) 16, 30, 35

(260) AM 2021 107080 A
(800) 1513667
(151) 2019 11 25
(181) 2029 11 25
(891) 2019 11 25
(511) 03, 08, 21

(260) AM 2021 107081 A
(800) 1513692
(151) 2019 02 27
(181) 2029 02 27
(891) 2019 02 27
(511) 16, 35, 37, 39, 40, 42

(260) AM 2021 107082 A
(800) 1513702
(151) 2019 12 04
(181) 2029 12 04
(891) 2019 12 04
(511) 05

(260) AM 2021 107083 A
(800) 1513771
(151) 2019 10 02
(181) 2029 10 02
(891) 2019 10 02
(511) 41

(260) AM 2021 107084 A
(800) 1513822
(151) 2019 11 25
(181) 2029 11 25

(891) 2019 11 25
(511) 01, 09, 16, 35, 36, 38, 41

(260) AM 2021 107107 A
(800) 1514235
(151) 2019 06 27
(181) 2029 06 27
(891) 2019 06 27
(511) 12, 28, 35, 37

(260) AM 2021 107108 A
(800) 1514276
(151) 2019 12 20
(181) 2029 12 20
(891) 2019 12 20
(511) 10, 28, 44, 45

(260) AM 2021 107109 A
(800) 1514289
(151) 2019 12 27
(181) 2029 12 27
(891) 2019 12 27
(511) 05

(260) AM 2021 107110 A
(800) 1514295
(151) 2019 11 27
(181) 2029 11 27
(891) 2019 11 27
(511) 06, 07

(260) AM 2021 107111 A
(800) 1514347
(151) 2019 11 07
(181) 2029 11 07
(891) 2019 11 07
(511) 29, 30, 31, 35, 39

(260) AM 2021 107112 A
(800) 1514364
(151) 2019 08 15
(181) 2029 08 15
(891) 2019 08 15
(511) 09, 28

(260) AM 2021 107113 A
(800) 1514367
(151) 2019 03 29
(181) 2029 03 29
(891) 2019 03 29
(511) 06, 07, 08, 09, 11, 17, 22

(260) AM 2021 107114 A
(800) 1514383
(151) 2019 12 31
(181) 2029 12 31
(891) 2019 12 31
(511) 35

(260) AM 2021 107115 A
(800) 1514408
(151) 2019 10 21
(181) 2029 10 21
(891) 2019 10 21
(511) 07, 09, 12

(260) AM 2021 107116 A
(800) 1514436
(151) 2019 09 02
(181) 2029 09 02
(891) 2019 09 02
(511) 35

(260) AM 2021 107206 A
(800) 1515094
(151) 2019 12 26
(181) 2029 12 26
(891) 2019 12 26
(511) 31

(260) AM 2021 107207 A
(800) 1515113
(151) 2019 12 23
(181) 2029 12 23
(891) 2019 12 23
(511) 06

(260) AM 2021 107208 A
(800) 1515118
(151) 2019 12 26
(181) 2029 12 26
(891) 2019 12 26
(511) 31

(260) AM 2021 107209 A
(800) 1515123
(151) 2019 10 11
(181) 2029 10 11
(891) 2019 10 11
(511) 33, 35, 41

(260) AM 2021 107210 A
(800) 1515152
(151) 2019 12 26

(181) 2029 12 26
(891) 2019 12 26
(511) 31

(260) AM 2021 107211 A
(800) 1515165
(151) 2019 12 26
(181) 2029 12 26
(891) 2019 12 26
(511) 31

(260) AM 2021 107212 A
(800) 1515181
(151) 2019 12 26
(181) 2029 12 26
(891) 2019 12 26
(511) 31

(260) AM 2021 107213 A
(800) 1515190
(151) 2019 12 26
(181) 2029 12 26
(891) 2019 12 26
(511) 31

(260) AM 2021 107215 A
(800) 1515199
(151) 2019 12 26
(181) 2029 12 26
(891) 2019 12 26
(511) 31

(260) AM 2021 107227 A
(800) 1515420
(151) 2020 01 14
(181) 2030 01 14
(891) 2020 01 14
(511) 20

(260) AM 2021 107236 A
(800) 1515709
(151) 2019 10 18
(181) 2029 10 18
(891) 2019 10 18
(511) 29, 30, 32

(260) AM 2021 107237 A
(800) 1515726
(151) 2019 10 18
(181) 2029 10 18

(891) 2019 10 18
(511) 06, 37

(260) AM 2021 107256 A
(800) 880705
(151) 2006 02 21
(181) 2026 02 21
(891) 2019 12 16
(511) 18, 25, 28

(260) AM 2021 107257 A
(800) 1062492
(151) 2010 09 14
(181) 2020 09 14
(891) 2020 01 31
(511) 03, 14, 16, 18, 25, 29, 30, 32, 33, 36, 42, 43

(260) AM 2021 107258 A
(800) 1245122
(151) 2015 02 19
(181) 2025 02 19
(891) 2020 01 31
(511) 01, 02, 04, 19

(260) AM 2021 107317 A
(800) 1516202
(151) 2019 11 12
(181) 2029 11 12
(891) 2019 11 12
(511) 12

(260) AM 2021 107318 A
(800) 1516211
(151) 2020 01 24
(181) 2030 01 24
(891) 2020 01 24
(511) 30

(260) AM 2021 107320 A
(800) 1516282
(151) 2020 01 03
(181) 2030 01 03
(891) 2020 01 03
(511) 30

(260) AM 2021 107322 A
(800) 1516408
(151) 2020 01 16
(181) 2030 01 16
(891) 2020 01 16
(511) 01, 44

(260) AM 2021 107326 A
(800) 1516537
(151) 2020 01 13
(181) 2030 01 13
(891) 2020 01 13
(511) 12

(260) AM 2021 107374 A
(800) 1517495
(151) 2020 01 13
(181) 2030 01 13
(891) 2020 01 13
(511) 19

(260) AM 2021 107375 A
(800) 919136
(151) 2007 01 29
(181) 2027 01 29
(891) 2019 11 04
(511) 33

(260) AM 2021 107376 A
(800) 1024932
(151) 2009 06 29
(181) 2029 06 29
(891) 2020 02 11
(511) 08, 11, 14, 19, 21, 35

(260) AM 2021 107377 A
(800) 1026737
(151) 2010 01 07
(181) 2030 01 07
(891) 2020 01 08
(511) 05

(260) AM 2021 107378 A
(800) 1029256
(151) 2010 01 28
(181) 2030 01 28
(891) 2020 02 12
(511) 29, 31

(260) AM 2021 107379 A
(800) 1164459
(151) 2013 01 23
(181) 2023 01 23
(891) 2020 02 11
(511) 16, 33, 35

(260) AM 2021 107380 A
(800) 1221963
(151) 2014 07 09

(181) 2024 07 09
(891) 2020 02 10
(511) 35

(260) AM 2021 107382 A
(800) 1419428
(151) 2018 05 17
(181) 2028 05 17
(891) 2019 10 31
(511) 25, 35

(260) AM 2021 107383 A
(800) 1421391
(151) 2018 06 25
(181) 2028 06 25
(891) 2020 01 31
(511) 29, 30

(260) AM 2021 107418 A
(800) 1517884
(151) 2020 01 17
(181) 2030 01 17
(891) 2020 01 17
(511) 29, 30

(260) AM 2021 107426 A
(800) 1518111
(151) 2019 12 20
(181) 2029 12 20
(891) 2019 12 20
(511) 09, 42

(260) AM 2021 107434 A
(800) 1518376
(151) 2020 01 03
(181) 2030 01 03
(891) 2020 01 03
(511) 09, 18, 25, 28

(260) AM 2021 107435 A
(800) 1518391
(151) 2020 01 15
(181) 2030 01 15
(891) 2020 01 15
(511) 36, 42

(260) AM 2021 107440 A
(800) 1518517
(151) 2020 01 10
(181) 2030 01 10

(891) 2020 01 10
(511) 02

(260) AM 2021 107441 A
(800) 1518582
(151) 2019 10 16
(181) 2029 10 16
(891) 2019 10 16
(511) 35, 37, 39, 40, 42, 45

(260) AM 2021 107442 A
(800) 1518617
(151) 2020 01 09
(181) 2030 01 09
(891) 2020 01 09
(511) 14

(260) AM 2021 107443 A
(800) 1518673
(151) 2019 11 12
(181) 2029 11 12
(891) 2019 11 12
(511) 29, 30, 32, 43

(260) AM 2021 107444 A
(800) 1063951
(151) 2010 12 02
(181) 2020 12 02
(891) 2020 02 19
(511) 03

(260) AM 2021 107445 A
(800) 1147662
(151) 2012 09 13
(181) 2022 09 13
(891) 2019 11 25
(511) 05, 29, 31

(260) AM 2021 107447 A
(800) 1166439
(151) 2013 05 27
(181) 2023 05 27
(891) 2019 11 28
(511) 03, 05

(260) AM 2021 107502 A
(800) 1518834
(151) 2020 01 03
(181) 2030 01 03

(891) 2020 01 03
(511) 09, 18, 25, 28

(260) AM 2021 107510 A
(800) 1519131
(151) 2019 12 18
(181) 2029 12 18
(891) 2019 12 18
(511) 06, 11

(260) AM 2021 107511 A
(800) 1519165
(151) 2019 11 26
(181) 2029 11 26
(891) 2019 11 26
(511) 18, 25

(260) AM 2021 107512 A
(800) 1519255
(151) 2020 01 09
(181) 2030 01 09
(891) 2020 01 09
(511) 14, 35

(260) AM 2021 107513 A
(800) 1519305
(151) 2019 10 10
(181) 2029 10 10
(891) 2019 10 10
(511) 07

(260) AM 2021 107514 A
(800) 1519310
(151) 2020 01 13
(181) 2030 01 13
(891) 2020 01 13
(511) 05

(260) AM 2021 107515 A
(800) 1519324
(151) 2019 10 31
(181) 2029 10 31
(891) 2019 10 31
(511) 09, 20, 28, 41

(260) AM 2021 107613 A
(800) 1520633
(151) 2020 01 30
(181) 2030 01 30
(891) 2020 01 30
(511) 03, 04, 09, 14, 16, 18, 25, 26, 28, 35

(260) AM 2021 107614 A
(800) 1520681
(151) 2019 10 15
(181) 2029 10 15
(891) 2019 10 15
(511) 14, 18, 25, 35

(260) AM 2021 107637 A
(800) 1521309
(151) 2019 11 07
(181) 2029 11 07
(891) 2019 11 07
(511) 18, 25

(260) AM 2021 107638 A
(800) 1521317
(151) 2020 02 12
(181) 2030 02 12
(891) 2020 02 12
(511) 30

(260) AM 2021 107639 A
(800) 549479
(151) 1990 01 20
(181) 2030 01 20
(891) 2020 03 03
(511) 02

(260) AM 2021 107695 A
(800) 1521481
(151) 2019 12 18
(181) 2029 12 18
(891) 2019 12 18
(511) 06, 11

(260) AM 2021 107714 A
(800) 1522082
(151) 2020 02 12
(181) 2030 02 12
(891) 2020 02 12
(511) 01

(260) AM 2021 107755 A
(800) 1522746
(151) 2020 02 11
(181) 2030 02 11
(891) 2020 02 11
(511) 03, 05, 10

(260) AM 2021 107756 A
(800) 1522799
(151) 2020 01 30

(181) 2030 01 30
(891) 2020 01 30
(511) 30

(260) AM 2021 107757 A
(800) 1522850
(151) 2020 01 31
(181) 2030 01 31
(891) 2020 01 31
(511) 33

(260) AM 2021 107758 A
(800) 1522852
(151) 2020 01 02
(181) 2030 01 02
(891) 2020 01 02
(511) 03, 09, 14, 18, 24, 25, 35

(260) AM 2021 107759 A
(800) 1522896
(151) 2020 02 24
(181) 2030 02 24
(891) 2020 02 24
(511) 36

(260) AM 2021 107760 A
(800) 1522904
(151) 2020 02 21
(181) 2030 02 21
(891) 2020 02 21
(511) 30

(260) AM 2021 107761 A
(800) 1522915
(151) 2020 02 24
(181) 2030 02 24
(891) 2020 02 24
(511) 38

(260) AM 2021 107780 A
(800) 1523515
(151) 2020 02 21
(181) 2030 02 21
(891) 2020 02 21
(511) 30

(260) AM 2021 107781 A
(800) 1523532
(151) 2019 12 30
(181) 2029 12 30

(891) 2019 12 30
(511) 09

(260) AM 2021 107782 A
(800) 1523536
(151) 2019 11 23
(181) 2029 11 23
(891) 2019 11 23
(511) 02, 03, 04, 35

(260) AM 2021 107783 A
(800) 1523545
(151) 2019 11 25
(181) 2029 11 25
(891) 2019 11 25
(511) 41

(260) AM 2021 107785 A
(800) 1523588
(151) 2020 01 06
(181) 2030 01 06
(891) 2020 01 06
(511) 29, 30, 32

(260) AM 2021 107861 A
(800) 1524480
(151) 2020 02 20
(181) 2030 02 20
(891) 2020 02 20
(511) 03

(260) AM 2021 107862 A
(800) 1524484
(151) 2020 01 10
(181) 2030 01 10
(891) 2020 01 10
(511) 29, 30, 32

OFFICIAL NOTIFICATIONS

INVENTIONS

EXPIRATION OF PATENTS RESTORATION

(21) AP 2010 12375
(11) P 2015 6406 B
(73) Red Leaf Resources Inc.
(54) METHOD OF RECOVERING MINERALS FROM HYDROCARBONACEOUS MATERIAL USING
CONSTRUCTED INFRASTRUCTURE AND ASSOCIATED SYSTEMS
DATE OF CANCELLATION OF PATENT: 2021 02 10
THE TERM OF RESTORATION OF PATENT: 2021 03 10

(21) AP 2011 12424
(11) P 2013 5740 B
(73) Allied Global Tobacco Limited
(54) CIGARETTE WITHOUT FILTER
DATE OF CANCELLATION OF PATENT: 2020 10 24
THE TERM OF RESTORATION OF PATENT: 2021 03 10

(21) AP 2015 14583
(11) P 2020 7154 B
(73) Daw Se
(54) DRIP-FORMING AQUEOUS COATING COMPOUNDS, IN PARTICULAR DISPERSION COATING
COMPOUNDS, AND TESTING DEVICE FOR DETERMINING THE SPRAY BEHAVIOUR OF
DRIP-FORMING AQUEOUS COATING COMPOUNDS
DATE OF CANCELLATION OF PATENT: 2021 02 10
THE TERM OF RESTORATION OF PATENT: 2021 03 10

(21) AP 2019 14996
(11) P 2020 7187 B
(73) Omar Lomtadze;
Givi Chimakadze
(54) INSECT-ACARISIDE COMPOSITION OF PROLONGED ACTIVITY
DATE OF CANCELLATION OF PATENT: 2021 02 11
THE TERM OF RESTORATION OF PATENT: 2021 03 10

(21) AP 2019 14997
(11) P 2020 7188 B
(73) Omar Lomtadze;
Giorgi Tsintskaladze
(54) CLAY-SULFUR COMPOSITION FOR PLANT PESTS AND DISEASES CONTROL
DATE OF CANCELLATION OF PATENT: 2021 02 11
THE TERM OF RESTORATION OF PATENT: 2021 03 10

(21) AP 2005 8972
(11) P 2009 4663 B
(73) Giorgi Ioramashvili
Marine Beroshvili
(54) METHOD FOR SEPARATION OF FLUID INTRUSION

DATE OF CANCELLATION OF PATENT: 2020 09 12
THE TERM OF RESTORATION OF PATENT: 2021 03 10

ABOLITION OF PATENTS WITH THE RIGHT TO RESTORE

(21) AP 2010 12375
(11) P 2015 6406 B
(73) Red Leaf Resources Inc..
(54) METHOD OF RECOVERING MINERALS FROM HYDROCARBONACEOUS MATERIAL USING
CONSTRUCTED INFRASTRUCTURE AND ASSOCIATED SYSTEMS
DATE OF CANCELLATION OF PATENT: 2021 02 10
THE TERM OF RESTORATION OF PATENT: 2023 02 10

(21) AP 2013 13589
(11) P 2016 6581 B
(73) Aziende Chimiche Riunite Angelini Francesco A.C.R.A.F. S.p.A.
(54) GLYCOGEN-BASED CATIONIC POLYMERS
DATE OF CANCELLATION OF PATENT: 2021 02 21
THE TERM OF RESTORATION OF PATENT: 2022 02 21

(21) AP 2015 14261
(11) P 2018 6808 B
(73) Takeda Pharmaceutical Company Limited
(54) FUSED HETEROCYCLIC COMPOUND
DATE OF CANCELLATION OF PATENT: 2021 02 12
THE TERM OF RESTORATION OF PATENT: 2022 02 12

(21) AP 2016 14581
(11) P 2019 6980 B
(73) Smart Spirits S.L.
(54) INFUSER FOR ALCOHOLIC BEVERAGES
DATE OF CANCELLATION OF PATENT: 2021 02 16
THE TERM OF RESTORATION OF PATENT: 2022 02 16

(21) AP 2015 14583
(11) P 2020 7154 B
(73) Daw Se
(54) DRIP-FORMING AQUEOUS COATING COMPOUNDS, IN PARTICULAR DISPERSION COATING
COMPOUNDS, AND TESTING DEVICE FOR DETERMINING THE SPRAY BEHAVIOUR OF
DRIP-FORMING AQUEOUS COATING COMPOUNDS
DATE OF CANCELLATION OF PATENT: 2021 02 10
THE TERM OF RESTORATION OF PATENT: 2023 02 10

(21) AP 2019 14996
(11) P 2020 7187 B
(73) Omar Lomtadze;
Givi Chimakadze
(54) INSECT-ACARISIDE COMPOSITION OF PROLONGED ACTIVITY
DATE OF CANCELLATION OF PATENT: 2021 02 11
THE TERM OF RESTORATION OF PATENT: 2023 02 11

(21) AP 2019 14997
(11) P 2020 7188 B
(73) Omar Lomtadze;
Giorgi Tsintskaladze
(54) CLAY-SULFUR COMPOSITION FOR PLANT PESTS AND DISEASES CONTROL
DATE OF CANCELLATION OF PATENT: 2021 02 11
THE TERM OF RESTORATION OF PATENT: 2023 02 11

EXPIRATION OF TERM OF RESTORATION OF PATENTS

(21) AP 2011 12105
(11) P 2013 5737 B
(73) Les Laboratoires Servier
(54) NEW METHOD FOR IVABRADINE AND THEIR ACID-ADDITIVE SALTS SYNTHESIS
DATE OF CANCELLATION OF PATENT: 2020 02 15
THE TERM OF RESTORATION OF PATENT VALIDITY HAS EXPIRED: 2021 02 15

(21) AP 2011 12110
(11) P 2012 5675 B
(73) Mariam Ionanidze;
Bagrat Basiladze
(54) DRUG FOR BURN TREATMENT
DATE OF CANCELLATION OF PATENT: 2020 02 18
THE TERM OF RESTORATION OF PATENT VALIDITY HAS EXPIRED: 2021 02 18

(21) AP 2010 12446
(11) P 2014 6189 B
(73) Yoav Cohen
(54) INSTALLATION DESIGNED TO CONVERT ENVIRONMENTAL THERMAL ENERGY INTO
USEFUL ENERGY
DATE OF CANCELLATION OF PATENT: 2020 02 18
THE TERM OF RESTORATION OF PATENT VALIDITY HAS EXPIRED: 2021 02 18

(21) AP 2012 12569
(11) P 2013 5970 B
(73) Les Laboratoires Servier
(54) NEW METHOD OF SYNTHESIS OF IVABRADINE AND PHARMACEUTICALLY ACCEPTABLE
ACID-ADDITIVE SALTS THEREOF
DATE OF CANCELLATION OF PATENT: 2020 02 10
THE TERM OF RESTORATION OF PATENT VALIDITY HAS EXPIRED: 2021 02 10

(21) AP 2011 12854
(11) P 2016 6456 B
(73) Les Laboratoires Servier
(54) USE OF AGOMELATINE FOR THE PREPARATION OF DRUGS FOR TREATING OBSESSIVE
COMPULSIVE DISORDER (OCD)
DATE OF CANCELLATION OF PATENT: 2020 02 10
THE TERM OF RESTORATION OF PATENT VALIDITY HAS EXPIRED: 2021 02 10

(21) AP 2011 12859
(11) P 2015 6230 B
(73) Salix Pharmaceuticals Ltd
(54) FORMS OF RIFAXIMIN AND USAGE THEREOF
DATE OF CANCELLATION OF PATENT: 2020 02 16
THE TERM OF RESTORATION OF PATENT VALIDITY HAS EXPIRED: 2021 02 16

(21) AP 2013 12992
(11) P 2015 6235 B
(73) Les Laboratoires Servier
(54) PROCESS FOR ENZYMATIC SYNTHESIS OF (7S)-3,4-DIMETHOXY-BICYCLO-[4.2.0]OCTA-1,3,5-
TRIENE-7- CARBOXYLIC ACID OR ESTERS THEREOF, AND APPLICATION IN SYNTHESIS OF
IVABRADINE AND SALTS THEREOF
DATE OF CANCELLATION OF PATENT: 2020 02 07
THE TERM OF RESTORATION OF PATENT VALIDITY HAS EXPIRED: 2021 02 07

(21) AP 2011 13141
(11) P 2017 6745 B
(73) Salix Pharmaceuticals Ltd
(54) FORMS OF RIFAXIMIN AND USAGE THEREOF
DATE OF CANCELLATION OF PATENT: 2020 02 16
THE TERM OF RESTORATION OF PATENT VALIDITY HAS EXPIRED: 2021 02 16

(21) AP 2013 13560
(11) P 2017 6687 B
(73) Millennium Pharmaceuticals Inc.
(54) PYRAZOLOPYRIMIDINYL INHIBITORS OF UBIQUITIN-ACTIVATING ENZYME
DATE OF CANCELLATION OF PATENT: 2020 02 14
THE TERM OF RESTORATION OF PATENT VALIDITY HAS EXPIRED: 2021 02 14

(21) AP 2013 13570
(11) P 2017 6643 B
(73) Abloy OY
(54) KEY AND DISC TUMBLER CYLINDER LOCK
DATE OF CANCELLATION OF PATENT: 2020 02 14
THE TERM OF RESTORATION OF PATENT VALIDITY HAS EXPIRED: 2021 02 14

(21) AP 2013 13646
(11) P 2016 6582 B
(73) Vladimer Vladimirovich Kharlampov
(54) "DOLG M3" TACTICAL GUN BELT
DATE OF CANCELLATION OF PATENT: 2020 02 12
THE TERM OF RESTORATION OF PATENT VALIDITY HAS EXPIRED: 2021 02 12

(21) AP 2015 13721
(11) P 2016 6583 B
(73) Jamlet Badagadze;
Vladimer Miruashvili
(54) LINE FOR SOLID DOMESTIC WASTE TREATMENT
DATE OF CANCELLATION OF PATENT: 2020 02 05
THE TERM OF RESTORATION OF PATENT VALIDITY HAS EXPIRED: 2021 02 05

(21) AP 2015 14272
(11) P 2018 6909 B
(73) Takeda Pharmaceutical Company Limited
(54) SUBSTITUTED CYCLOPENTANES, TETRAHYDROFURANES AND PYRROLIDINES AS OREXIN RECEPTOR ANTAGONISTS
DATE OF CANCELLATION OF PATENT: 2020 02 19
THE TERM OF RESTORATION OF PATENT VALIDITY HAS EXPIRED: 2021 02 19

(21) AP 2015 14273
(11) P 2018 6910 B
(73) Takeda Pharmaceutical Company Limited
(54) 1,2-SUBSTITUTED CYCLOPENTANES AS OREXIN RECEPTOR ANTAGONISTS
DATE OF CANCELLATION OF PATENT: 2020 02 19
THE TERM OF RESTORATION OF PATENT VALIDITY HAS EXPIRED: 2021 02 19

(21) AP 2017 14428
(11) P 2018 6926 B
(73) Giorgi Lekvinadze
(54) LIFT
DATE OF CANCELLATION OF PATENT: 2020 02 17
THE TERM OF RESTORATION OF PATENT VALIDITY HAS EXPIRED: 2021 02 17

(21) AP 2004 8975
(11) P 2008 4436 B
(73) Interdigital Technology Corporation
(54) WIRELESS COMMUNICATION METHOD AND SYSTEM FOR CONTROLLING DATA BIT RATES TO MAINTAIN THE QUALITY OF RADIO LINKS
DATE OF CANCELLATION OF PATENT: 2020 02 11
THE TERM OF RESTORATION OF PATENT VALIDITY HAS EXPIRED: 2021 02 11

EXPIRATION OF PATENT

(21) AP 2011 12113
(11) P 2012 1743 B
(73) Elguja Balkhamishvili
(54) CANDY
EXPIRATION DATE OF PATENT: 22 02 2021

UTILITY MODELS

ABOLITION OF PATENTS WITH THE RIGHT TO RESTORE

(21) AU 2012 12582
(11) U 2015 1846 Y
(73) Eter Kemertelidze;
Durmishkhan Turabelidze
(54) METHOD OF OINTMENT OF KERATOID ACTIVITY TREATING PSORIASIS
DATE OF CANCELLATION OF PATENT: 2021 02 20
THE TERM OF RESTORATION OF PATENT: 2022 02 20

(21) AU 2017 14419
(11) U 2019 2008 Y
(73) Lukhum Chelidze;
Rani Chabukiani;
Soso Tavberidze;
Emzar Kilasonia
(54) DEVICE FOR SOIL FERTILIZING BETWEEN PLANT STEMS
DATE OF CANCELLATION OF PATENT: 2021 02 10
THE TERM OF RESTORATION OF PATENT: 2022 02 10

(21) AU 2019 14993
(11) U 2020 2034 Y
(73) Revaz Sikharulidze
(54) SIKHARULIDZE WALL
DATE OF CANCELLATION OF PATENT: 2021 02 06
THE TERM OF RESTORATION OF PATENT: 2022 02 06

EXPIRATION OF TERM OF RESTORATION OF PATENTS

(21) AU 2011 12112
(11) U 2012 1707 Y
(73) George Bendelava;
Parmen Margvelashvili;
Vashkhi Zhvania;
David Loladze
(54) METHOD OF TEA IODINE ENRICHMENT
DATE OF CANCELLATION OF PATENT: 2020 02 21
THE TERM OF RESTORATION OF PATENT VALIDITY HAS EXPIRED: 2021 02 21

(21) AU 2016 14054
(11) U 2017 1924 Y
(73) Dimitri Gvekhidze
(54) ROTARY PUMP
DATE OF CANCELLATION OF PATENT: 2020 02 09
THE TERM OF RESTORATION OF PATENT VALIDITY HAS EXPIRED: 2021 02 09

DESIGNS

EXTENSION OF REGISTRATION OF DESIGNS

(11) D 2006 267 S
(73) AMBEV S.A. (BR)
Rua Dr.Renato Paes de Barros, No.1017 – 3º andar Itaim Bibi – 04530-001 – São Paulo, SP,
Brazil (BR)
(54) BOTTLE
(28) 3
(24) 2005 05 10
(18) 2025 05 10
(58) 2021 02 25

(11) D 2011 481 S
(73) Lali Gabadadze (GE)
Bako St. 8, 0112, Tbilisi, Georgia (GE)
(54) JEWELRY – EAR-RINGS AND PENDANT
(28) 2
(24) 2011 03 31
(18) 2026 03 31
(58) 2021 02 25

CANCELLATION OF REGISTRATION OF DESIGNS

(11) D 2011 469 S
(73) Allied Global Tobacco Limited (GB)
Vei Qort Vest, Iunion Roud, Farnam, Surei GU9 7PT, United Kingdom (GB)
(54) CIGARETTE WITHOUT FILTER
(18) 2020 08 06
(58) 2021 02 19

(11) D 2015 641 S
(73) Jimsher Chkhaidze (GE)
Paliashvili St. 92/10, 0162, Tbilisi, Georgia (GE)
(54) Graphical symbol
(18) 2020 07 29
(58) 2021 02 19

(11) D 2016 672 S
(73) Ltd "Cartu - Universal" (GE)
Kakheti Highway, II Lane, 11, Tbilisi, 0190, Georgia (GE)
(54) LABEL
(18) 2020 08 11
(58) 2021 02 19

(11) D 2015 645 S
(73) Anatoly Vasilyevich GONCHAR (UA)
Chernivci Region, Khotin Distriqt, Shilivci Vilij, Miru Strit, 33, 60022, Ukraine
(54) LID FOR GLASS CAN SEALING
(18) 2020 08 17
(58) 2021 03 01

TRANSFER OF RIGHT

(11) D 2006 267 S
NEW PATENTOWNER: AMBEV S.A. (BR)
Rua Dr.Renato Paes de Barros, No.1017 – 3º andar Itaim Bibi – 04530-001 – São Paulo, SP, Brazil (BR)
FORMER PATENTOWNER: COMPANHIA DE BEBIDAS DAS AMERICAS AMBEV (BR)
Rua Doq. Renato Paes De Baros N 1017-3A Cj31/ 32-itaim Bibi-san- Paulo, Brazil (BR)
(58) 2021 02 24

EXTENSION OF INTERNATIONAL DESIGN REGISTRATION

(11) DM/67472
(73) BRAUN GMBH
Frankfurter Str. 145, 61476 Kronberg (DE)
(15) 2006 01 09
(24) 2006 01 09
(18) 2026 01 09
(28) 2
(28') 2
(54) Electric razors

(11) DM/67511
(73) HAMILTON INTERNATIONAL AG (HAMILTON INTERNATIONAL SA)
(HAMILTON INTERNATIONAL LTD.)
Birkenweg 4, CH-2543 Lengnau bei Biel (CH)
(15) 2006 02 15
(24) 2006 02 15
(18) 2026 02 15
(28) 1
(28') 1
(54) Wristwatch

(11) DM/67514
(73) LÉON HATOT SA (LÉON HATOT AG) (LÉON HATOT LTD.)
Viaduktstrasse 30, CH-2500 BIEL/BIENNE (CH)
(15) 2006 02 14
(24) 2006 02 14
(18) 2026 02 14
(28) 2
(28') 2
(54) Wristwatches

(11) DM/75023
(73) FILTRONA INTERNATIONAL LIMITED
Avebury House, 201-249 Avebury Boulevard, Milton Keynes MK9 1AU (EM)
(15) 2010 10 05
(24) 2010 10 05
(18) 2025 10 05
(28) 1
(28') 1
(54) Cigarette filter end segment

(11) DM/75156
(73) TISSOT SA (TISSOT AG) (TISSOT LTD)
Chemin des Tourelles 17, CH-2400 Le Locle (CH)
(15) 2011 01 11
(24) 2011 01 11
(18) 2026 01 11
(28) 13
(28') 13
(54) 10. watch case, 11.-13. watch hands, 1.-3. Watch cases, 4.-8. watch cases with bracelet, 9. dial

(11) DM/75195
(73) TITIZ PLASTIK DIŞ TICARET VE SANAYİ LIMITED ŞİRKETİ
İstoç 10.Ada No:13-15 Mahmutbey, Bağcılar, İSTANBUL (TR)
(15) 2010 12 15
(24) 2010 12 15
(18) 2025 12 15
(28) 5
(28') 5
(54) Bucket [household], Parts of bucket [household]

(11) DM/75270
(73) RADO UHREN AG (RADO WATCH CO. LTD.) (MONTRES RADO SA)
Bielstrasse 45, CH-2543 Lengnau (CH)
(15) 2011 02 10
(24) 2011 02 10
(18) 2026 02 10
(28) 3
(28') 2
(54) Wristwatches

(11) DM/75271
(73) BLANCPAIN SA
Le Rocher 12, CH-1348 LE BRASSUS (CH)
(15) 2011 02 10
(24) 2011 02 10
(18) 2026 02 10
(28) 1
(28') 1
(54) Watch

(11) DM/75273
(73) MONTRES JAQUET DROZ SA (MONTRES JAQUET DROZ AG) (MONTRES JAQUET DROZ LTD.)
Allée du Tourbillon 2, CH-2300 La Chaux-de-Fonds (CH)
(15) 2011 02 11

(24) 2011 02 11
(18) 2026 02 11
(28) 1
(28') 1
(54) Cuff link

(11) DM/75282
(73) STUDER & CO. AG
AG, Möösli, CH-6182 Escholzmatt (CH)
(15) 2011 02 10
(24) 2011 02 10
(18) 2026 02 10
(28) 1
(28') 1
(54) Bottle

(11) DM/75291
(73) MONTRES JAQUET DROZ SA (MONTRES JAQUET DROZ AG) (MONTRES JAQUET DROZ LTD.)
Allée du Tourbillon 2, CH-2300 La Chaux-de-Fonds (CH)
(15) 2011 02 11
(24) 2011 02 11
(18) 2026 02 11
(28) 8
(28') 4
(54) Dials, Oscillating weight, Watch bracelet clasp, Watch case, Watch hands

(11) DM/75747
(73) NEMIROFF INTELLECTUAL PROPERTY ESTABLISHMENT
Städtle 31, FL-9490 Vaduz (LI)
(15) 2011 04 05
(24) 2011 04 05
(18) 2026 04 05
(28) 1
(28') 1
(54) Bottle

(11) DM/76162
(73) KALEKİM KİMYEVİ MADDELER SANAYİ VE TİCARET ANONİM ŞİRKETİ
Esenyurt Yolu Üzeri, 3. Km. Su Deposu Karşısı AVCILAR-İSTANBUL (TR)
(15) 2011 03 04
(24) 2011 03 04
(18) 2026 03 04
(28) 2
(28') 2
(54) Packages

(11) DM/88355
(73) BALEV EOOD
bul. Vladislav Varnenchik No.256, BG-9009 Varna (BG);
BALEV CORPORATION EOOD
bul. Vladislav Varnenchik No. 260, BG-9009 Varna (BG)
(15) 2015 11 10
(24) 2015 11 10

(18) 2025 11 10
(28) 2
(28') 2
(54) Air fresheners [other than apparatus]

(11) DM/89203
(73) MONTRES BREGUET S.A.
Place de la Tour 23, CH-1344 L'ABBAYE (CH)
(15) 2016 02 01
(24) 2016 02 01
(18) 2026 02 01
(28) 4
(28') 4
(54) Watches

(11) DM/89249
(73) OMEGA SA (OMEGA AG) (OMEGA LTD.)
Jakob-Stämpfli-Strasse 96, CH-2502 Biel/Bienne (CH)
(15) 2016 02 03
(24) 2016 02 03
(18) 2026 02 03
(28) 4
(28') 4
(54) 1. Finger ring, 2. Pendant, 3.-4. Finger rings

(11) DM/89267
(73) HARRY WINSTON SA
Chemin du Tourbillon 8, CH-1228 Plan-les-Ouates (CH)
(15) 2016 02 05
(24) 2016 02 05
(18) 2026 02 05
(28) 1
(28') 1
(54) Earring

(11) DM/89268
(73) TISSOT SA (TISSOT AG) (TISSOT LTD)
Chemin des Tourelles 17, CH-2400 Le Locle (CH)
(15) 2016 02 05
(24) 2016 02 05
(18) 2026 02 05
(28) 3
(28') 3
(54) Watch case, Watch dials

(11) DM/89411
(73) HARRY WINSTON SA
Chemin du Tourbillon 8, CH-1228 Plan-les-Ouates (CH)
(15) 2016 02 09
(24) 2016 02 09
(18) 2026 02 09
(28) 4

(28') 4
(54) Dials

(11) DM/89414
(73) HARRY WINSTON SA
Chemin du Tourbillon 8, CH-1228 Plan-les-Ouates (CH)
(15) 2016 02 18
(24) 2016 02 18
(18) 2026 02 18
(28) 3
(28') 3
(54) Dials, Watch case

(11) DM/89416
(73) ETA SA MANUFACTURE HORLOGÈRE SUISSE
Schild-Rust-Strasse 17, CH-2540 Grenchen (CH)
(15) 2016 02 19
(24) 2016 02 19
(18) 2026 02 19
(28) 1
(28') 1
(54) Wristwatch

(11) DM/89418
(73) HARRY WINSTON SA
Chemin du Tourbillon 8, CH-1228 Plan-les-Ouates (CH)
(15) 2016 02 19
(24) 2016 02 19
(18) 2026 02 19
(28) 2
(28') 2
(54) Dial, Watch case

(11) DM/89515
(73) HARRY WINSTON SA
Chemin du Tourbillon 8, CH-1228 Plan-les-Ouates (CH)
(15) 2016 02 23
(24) 2016 02 23
(18) 2026 02 23
(28) 1
(28') 1
(54) Finger ring

(11) DM/89576
(73) MONTRES BREGUET S.A.
Place de la Tour 23, CH-1344 L'ABBAYE (CH)
(15) 2016 02 29
(24) 2016 02 29
(18) 2026 02 28
(28) 2
(28') 2
(54) Earrings, Finger ring

(11) DM/89747
(73) HARRY WINSTON SA
Chemin du Tourbillon 8, CH-1228 Plan-les-Ouates (CH)
(15) 2016 02 12
(24) 2016 02 12
(18) 2026 02 12
(28) 5
(28') 5
(54) Dials, Watch case

(11) DM/89748
(73) MONTRES BREGUET S.A
Place de la Tour 23, CH-1344 L'ABBAYE (CH)
(15) 2016 02 29
(24) 2016 02 29
(18) 2026 02 28
(28) 1
(28') 1
(54) Wristwatch

(11) DM/89795
(73) RADO UHREN AG (RADO WATCH CO. LTD) (MONTRES RADO SA)
45, Bielstrasse, CH-2543 Lengnau (CH)
(15) 2016 02 24
(24) 2016 02 24
(18) 2026 02 24
(28) 1
(28') 1
(54) Watch dial with related hands

(11) DM/90407
(73) OMEGA SA (OMEGA AG) (OMEGA LTD.)
Jakob-Stämpfli-Strasse 96, CH-2502 Biel/Bienne (CH)
(15) 2016 02 18
(24) 2016 02 18
(18) 2026 02 18
(28) 1
(28') 1
(54) Ornamentation

(11) DM/90783
(73) BIOFARMA
50 rue Carnot, F-92284 SURESNES CEDEX (FR)
(15) 2016 02 11
(24) 2016 02 11
(18) 2026 02 11
(28) 4
(28') 4
(54) Packagings

(11) DM/90802
(73) HYPER BLACKJACK HOLDING OÜ
Sepapaja tn 6, Lasnamäe linnaosa, EE-15551 Tallinn, Harju maakond (EE)
(15) 2016 04 05

(24) 2016 04 05
(18) 2026 04 05
(28) 8
(28') 8
(54) Betting areas for Blackjack related games

CANCELLATION OF INTERNATIONAL DESIGNS REGISTRATION

(11) DM/85890
(73) TISSOT SA (TISSOT AG) (TISSOT LTD)
Chemin des Tourelles 17, CH-2400 Le Locle (CH)
DATE OF CANCELLATION OF REGISTRATION: 2020 03 18
(58) 2021 02 25

(11) DM/85959
(73) YORULMAZER, RAFET EREN
Askerocagi Caddesi No:15 Suzer Plaza Kat:30/31, Sisli Istanbul (TR)
DATE OF CANCELLATION OF REGISTRATION: 2019 12 19
(58) 2021 02 25

(11) DM/86014
(73) YORULMAZER, RAFET EREN
Askerocagi Caddesi No:15 Suzer Plaza Kat:30/31, Sisli Istanbul (TR)
DATE OF CANCELLATION OF REGISTRATION: 2019 12 19
(58) 2021 02 25

(11) DM/86044
(73) VALENTINO S.P.A.
Via Turati, 16/18, I-20121 MILANO (EM)
DATE OF CANCELLATION OF REGISTRATION: 2020 03 30
(58) 2021 02 25

(11) DM/86307
(73) PATROIS GUILLAUME
55 avenue Marceau, F-75016 Paris (FR)
DATE OF CANCELLATION OF REGISTRATION: 2019 08 02
(58) 2021 02 25

(11) DM/86385
(73) VALENTINO S.P.A.
Via Turati, 16/18, I-20121 MILANO (EM)
DATE OF CANCELLATION OF REGISTRATION: 2020 03 30
(58) 2021 02 25

(11) DM/86410
(73) PRATİK İTHALAT İHRACAT GIDA SANAYİ VE TİCARET LİMİTED ŞİRKETİ
Topçular Mahallesi Kasimpatı Sokak No: 2, TR-76000 IĞDIR (TR)
DATE OF CANCELLATION OF REGISTRATION: 2020 05 11
(58) 2021 02 25

(11) DM/86512

(73) TOVARYSTVO Z OBMEZHENOIU VIDPOVIDALNISTIU "NATSIONALNA HORJLCHANA
KOMPANIJA"

Smilianske shose, 8-i kilometr, bud. 2, s. Stepanyk, Cherkaskyi raion, Cherkaska oblast 19632 (UA)

DATE OF CANCELLATION OF REGISTRATION: 2020 03 11

(58) 2021 02 25

(11) DM/86731

(73) FROST ITALY SRL

Via Largo di Trasimeno, 46, I-36015 SCHIO (VI) (IT)

DATE OF CANCELLATION OF REGISTRATION: 2020 06 18

(58) 2021 02 25

(11) DM/86798

(73) VALENTINO S.P.A.

Via Turati, 16/18, I-20121 MILANO (EM)

DATE OF CANCELLATION OF REGISTRATION: 2020 06 26

(58) 2021 02 25

(11) DM/86799

(73) VALENTINO S.P.A.

Via Turati, 16/18, I-20121 MILANO (EM)

DATE OF CANCELLATION OF REGISTRATION: 2020 06 03

(58) 2021 02 25

(11) DM/86818

(73) VALENTINO S.P.A.

Via Turati, 16/18, I-20121 MILANO (EM)

DATE OF CANCELLATION OF REGISTRATION: 2020 06 05

(58) 2021 02 25

(11) DM/86835

(73) VALENTINO S.P.A.

Via Turati, 16/18, I-20121 MILANO (EM)

DATE OF CANCELLATION OF REGISTRATION: 2020 06 26

(58) 2021 02 25

(11) DM/86842

(73) ETA SA MANUFACTURE HORLOGÈRE SUISSE

Schild-Rust-Strasse 17, CH-2540 Grenchen (CH)

DATE OF CANCELLATION OF REGISTRATION: 2020 07 01

(58) 2021 02 25

(11) DM/86844

(73) VALENTINO S.P.A.

Via Turati, 16/18, I-20121 MILANO (EM)

DATE OF CANCELLATION OF REGISTRATION: 2020 06 03

(58) 2021 02 25

(11) DM/86952

(73) VALENTINO S.P.A.

Via Turati, 16/18, I-20121 MILANO (EM)

DATE OF CANCELLATION OF REGISTRATION: 2020 07 08

(58) 2021 02 25

TRADEMARKS

RENEWAL OF REGISTRATIONS

(111) M 2001 13844 R2
(156) 2001 04 04
(186) 2031 04 04
(732) GREY GLOBAL GROUP LLC
a Delaware limited liability company
200 Fifth Avenue, New York,
New York 10010, USA

(111) M 2011 21207 R1
(156) 2011 02 25
(186) 2031 02 25
(732) SUMITOMO CHEMICAL CO., LTD
27-1, Shinkawa 2-chome, Chuo-ku, Tokyo
104-8260, Japan

(111) M 2011 21502 R1
(156) 2011 05 25
(186) 2031 05 25
(732) OLEINA SA
13 Route de Florissant, 1206 GENEVE,
Switzerland

(111) M 2011 21752 R1
(156) 2011 09 16
(186) 2031 09 16
(732) Imperial TEASz (Private) Limited
N121A, Biyagama Road, Kelaniya, Sri Lanka

(111) M 2011 21753 R1
(156) 2011 09 16
(186) 2031 09 16
(732) Imperial TEASz (Private) Limited
N121A, Biyagama Road, Kelaniya, Sri Lanka

(111) M 2011 22181 R1
(156) 2011 12 29
(186) 2031 12 29
(732) LTD "Nikora Trade"
M. Kavtaradze St. 11, 0180, Tbilisi, Georgia

COMPLETE TRANSFER OF RIGHTS

(111) M 1994 178 R
 (732) BARCLAYS PLC
 1 Churchill Place, London E14 5HP,
 United Kingdom
 (770) BARCLAYS BANK PLC
 1 Churchill Place, London E14 5HP,
 United Kingdom
 (580) 2021 02 18

(111) M 2021 33707 R
 (732) JSC "Media Holding"
 Nucubidze Plateau, III mcr., I quart., corp. 4,
 app. 29, Vake District, Tbilisi, Georgia
 (770) LTD Broadcasting Company "Rustavi2"
 Z. Anjaparidze St. 5a, Tbilisi, Georgia
 (580) 2021 02 19

(111) M 2003 15209 R
 (732) JSC "Media Holding"
 Nucubidze Plateau, III mcr., I quart., corp. 4,
 app. 29, Vake District, Tbilisi, Georgia
 (770) LTD Broadcasting Company "Rustavi2"
 Vazha-Pshavela Av. 45, 0177, Tbilisi, Georgia
 (580) 2021 02 19

(111) M 2006 16895 R
 (732) Dsquared2 Trademarks Limited
 5th Floor, Block A, The Atrium, Blackthorn
 Road, Sandyford Dublin 18, D18F5X2,
 Ireland
 (770) DSQUARED2 TM S.A.
 18, rue de l'Eau L-1449 Luxembourg,
 Luxembourg
 (580) 2021 02 23

(111) M 2015 26547 R
 (732) Akcionernoje Obschestvo "Zakritiy
 Nediversificirovanniy Venchurniy
 Korporativnniy Investicionniy Fond "Ariston"
 59 Zhilyanska street, office 102, Kyiv 01033,
 Ukraine
 (770) Elementos Trade Limited
 Avlonos, 1 Maria House 1075, Nicosia, Cyprus
 (580) 2021 02 22

(111) M 2016 26801 R
 (732) Akcionernoje Obschestvo "Zakritiy
 Nediversificirovanniy Venchurniy
 Korporativnniy Investicionniy Fond "Ariston"
 59 Zhilyanska street, office 102, Kyiv 01033,
 Ukraine

(770) Elementos Trade Limited
 niqozia 1075, Cyprus
 (580) 2021 02 22

(111) M 2016 26888 R
 (732) Akcionernoje Obschestvo "Zakritiy
 Nediversificirovanniy Venchurniy
 Korporativnniy Investicionniy Fond "Ariston"
 59 Zhilyanska street, office 102, Kyiv 01033,
 Ukraine
 (770) Elementos Trade Limited
 niqozia 1075, Cyprus
 (580) 2021 02 22

(111) M 2016 27214 R
 (732) Akcionernoje Obschestvo "Zakritiy
 Nediversificirovanniy Venchurniy
 Korporativnniy Investicionniy Fond "Ariston"
 59 Zhilyanska street, office 102, Kyiv 01033,
 Ukraine
 (770) Elementos Trade Limited
 niqozia, Cyprus
 (580) 2021 02 22

(111) M 2017 28055 R
 (732) Akcionernoje Obschestvo "Zakritiy
 Nediversificirovanniy Venchurniy
 Korporativnniy Investicionniy Fond "Ariston"
 59 Zhilyanska street, office 102, Kyiv 01033,
 Ukraine
 (770) Elementos Trade Limited
 Avlonos, 1 Maria House 1075, Nicosia, 1075,
 Cyprus
 (580) 2021 02 22

(111) M 1996 3928 R
 (732) ZF SERVICES UK LIMITED
 Abbeyfield Road, Lenton, Nottingham,
 NG7 2SX, United Kingdom
 (770) ZF INTERNATIONAL UK LIMITED
 Stratford Road, Solihull, West Midlands
 B90 4 AX, United Kingdom
 (580) 2021 02 23

(111) M 2019 30745 R
 (732) Akcionernoje Obschestvo "Zakritiy
 Nediversificirovanniy Venchurniy
 Korporativnniy Investicionniy Fond "Ariston"
 59 Zhilyanska street, office 102, Kyiv 01033,
 Ukraine

(770) Elementos Trade Limited
Avlonos, 1 Maria House, Nicosia 1075,
Cyprus
(580) 2021 02 22

CHANGES OF NAMES AND/OR ADDRESS OF OWNERS

(111) M 2001 13844 R
(732) GREY GLOBAL GROUP LLC
a Delaware limited liability company
200 Fifth Avenue, New York,
New York 10010, USA
(770) GREY GLOBAL GROUP INC.
200 Fifth Avenue New York, New York,
USA
(580) 2021 02 19

(111) M 2007 17389 R
(732) TWEAPIA S.A.
Cluj-Napoca, Str. Fabricii nr. 124, 3400
Cluj-Napoca, Romania
(770) S.C. Terapia S. A.
Cluj-Napoca, Str. Fabricii nr. 124, 3400
Cluj-Napoca, Romania
(580) 2021 02 12

(111) M 2011 22113 R
(732) SPIRITS PRODUCT INTERNATIONAL
INTELLECTUAL PROPERTY B.V.
44, rue de la Vallée, L-2661 Luxembourg,
Luxembourg
(770) SPIRITS PRODUCT INTERNATIONAL
INTELLECTUAL PROPERTY B.V.
7, Rue Nicolas Bové, 1253 Luxembourg,
Luxembourg
(580) 2021 01 22

(111) M 2012 22441 R
(732) SPIRITS PRODUCT INTERNATIONAL
INTELLECTUAL PROPERTY B.V.
44, rue de la Vallée, L-2661 Luxembourg,
Luxembourg
(770) SPIRITS PRODUCT INTERNATIONAL
INTELLECTUAL PROPERTY B.V.
7, Rue Nicolas Bové, 1253 Luxembourg,
Luxembourg
(580) 2021 01 22

(111) M 2013 24023 R
(732) SPIRITS PRODUCT INTERNATIONAL
INTELLECTUAL PROPERTY B.V.
44, rue de la Vallée, L-2661 Luxembourg,
Luxembourg
(770) SPIRITS PRODUCT INTERNATIONAL
INTELLECTUAL PROPERTY B.V.
7, Rue Nicolas Bové, 1253 Luxembourg,
Luxembourg
(580) 2021 01 22

(111) M 2013 24024 R
(732) SPIRITS PRODUCT INTERNATIONAL
INTELLECTUAL PROPERTY B.V.
44, rue de la Vallée, L-2661 Luxembourg,
Luxembourg
(770) SPIRITS PRODUCT INTERNATIONAL
INTELLECTUAL PROPERTY B.V.
7, Rue Nicolas Bové, 1253 Luxembourg,
Luxembourg
(580) 2021 01 22

(111) M 2017 28583 R
(732) NutriMax LLC
Levan Ghoghoberidze St., 67 b, Krtsanisi
District, 0165, Tbilisi, Georgia
(770) LTD "Nutrimax"
Rustavi Highway 68a, 0165, Tbilisi, Georgia
(580) 2021 02 23

(111) M 1996 3928 R
(732) ZF INTERNATIONAL UK LIMITED
Stratford Road, Solihull, West Midlands
B90 4 AX, United Kingdom
(770) LUCAS INDUSTRIES LIMITED
Stratford Road, Solihull, West Midlands
B90 4 AX, United Kingdom
(580) 2021 02 22

CANCELLATION OF TRADEMARKS REGISTRATION

(111) M 2010 20633 R
(151) 2010 08 16
(732) Takeda AS
Drammensveien 852, 1383 Asker, Norway
(141) 2021 03 04

(111) M 2010 20634 R
(151) 2010 08 16
(732) Joint Stock Company "OLAINPHARM"
St. Rupnitsa 5, LV-2114, Olaine, Latvia
(141) 2021 03 04

(111) M 2010 20635 R
(151) 2010 08 16
(732) Mustafa Iujel
Al. Kazbegis II Chikhi 3a/16, 0160, Tbilisi,
Georgia
(141) 2021 03 04

(111) M 2010 20637 R
(151) 2010 08 16
(732) "Caucasian Pekich"
Orkhevi, Akhvlediani St. 23, 0109, Tbilisi,
Georgia
(141) 2021 03 04

(111) M 2010 20638 R
(151) 2010 08 16
(732) LTD "Avita"
Zeinab Botsvadze St. 6, 0108, Tbilisi, Georgia
(141) 2021 03 04

(111) M 2010 20639 R
(151) 2010 08 16
(732) LTD "Avita"
Zeinab Botsvadze St. 6, 0108, Tbilisi, Georgia
(141) 2021 03 04

(111) M 2010 20640 R
(151) 2010 08 16
(732) LTD "Avita"
Zeinab Botsvadze St. 6, 0108, Tbilisi, Georgia
(141) 2021 03 04

(111) M 2010 20641 R
(151) 2010 08 16
(732) LTD "Avita"
Zeinab Botsvadze St. 6, 0108, Tbilisi, Georgia
(141) 2021 03 04

(111) M 2010 20642 R
(151) 2010 08 16
(732) LTD "Avita"
Zeinab Botsvadze St. 6, 0108, Tbilisi, Georgia
(141) 2021 03 04

(111) M 2010 20643 R
(151) 2010 08 16
(732) LTD "Avita"
Zeinab Botsvadze St. 6, 0108, Tbilisi, Georgia
(141) 2021 03 04

(111) M 2010 20644 R
(151) 2010 08 16
(732) LTD "Avita"
Zeinab Botsvadze St. 6, 0108, Tbilisi, Georgia
(141) 2021 03 04

(111) M 2010 20645 R
(151) 2010 08 16
(732) LTD "Avita"
Zeinab Botsvadze St. 6, 0108, Tbilisi, Georgia
(141) 2021 03 04

(111) M 2010 20646 R
(151) 2010 08 16
(732) LTD "Avita"
Zeinab Botsvadze St. 6, 0108, Tbilisi, Georgia
(141) 2021 03 04

(111) M 2010 20647 R
(151) 2010 08 16
(732) "Prima7"
Nakashidze I Lane 12, 0105, Tbilisi, Georgia
(141) 2021 03 04

(111) M 2010 20650 R
(151) 2010 08 16
(732) I/E Morozov Viktor Aleksandrovich
Komarov St., House 42, app. 20, 344113,
Don Rostov, Russian Federation
(141) 2021 03 04

(111) M 2010 20652 R
(151) 2010 08 16
(732) I/E Morozov Viktor Aleksandrovich
Komarov St., House 42, app. 20, 344113,
Don Rostov, Russian Federation
(141) 2021 03 04

(111) M 2010 20653 R
(151) 2010 08 16
(732) "Liko+"
Iosebidge St.71, app. 3, 0160, Tbilisi, Georgia
(141) 2021 03 04

(111) M 2010 20655 R
(151) 2010 08 16
(732) Limited Liability Company "Veda-Group"
Sokolnicheskaya Pl., Dom 4a, 107113,
Moskow, Russian Federation
(141) 2021 03 04

(111) M 2010 20657 R
(151) 2010 08 16
(732) Japan Tobacco Inc.
2-2-1, Toranomom, Minato-ku, Tokyo, Japan
(141) 2021 03 04

(111) M 2010 20658 R
(151) 2010 08 16
(732) Japan Tobacco Inc.
2-2-1, Toranomom, Minato-ku, Tokyo, Japan
(141) 2021 03 04

(111) M 2010 20659 R
(151) 2010 08 16
(732) Japan Tobacco Inc.
2-2-1, Toranomom, Minato-ku, Tokyo, Japan
(141) 2021 03 04

(111) M 2010 20660 R
(151) 2010 08 16
(732) Japan Tobacco Inc.
2-2-1, Toranomom, Minato-ku, Tokyo, Japan
(141) 2021 03 04

(111) M 2010 20661 R
(151) 2010 08 16
(732) Japan Tobacco Inc.
2-2-1, Toranomom, Minato-ku, Tokyo, Japan
(141) 2021 03 04

(111) M 2010 20662 R
(151) 2010 08 16
(732) Japan Tobacco Inc.
2-2-1, Toranomom, Minato-ku, Tokyo, Japan
(141) 2021 03 04

(111) M 2010 20665 R
(151) 2010 08 16
(732) Aisek Sakartvelo

Gldani Array, I mcr., corp. 15, app. 87, 0167,
Tbilisi, Georgia
(141) 2021 03 04

(111) M 2010 20670 R
(151) 2010 08 16
(732) "Tbilisi Park"
Mtatsminda, Up Plato, 0105, Tbilisi, Georgia
(141) 2021 03 04

(111) M 2010 20672 R
(151) 2010 08 16
(732) Harrington Development Inc.
Elvira Mendez Street, Vallarino bldg.,
3rd Floor, Panama, Republic of Panama
(141) 2021 03 04

(111) M 2010 20673 R
(151) 2010 08 16
(732) Hamid Shariati
Right Bank 2a, app. 53, 0105, Tbilisi, Georgia
(141) 2021 03 04

(111) M 2010 20676 R
(151) 2010 08 16
(732) JSC "Georgian Bank"
Gagarini St. 29a, 0160, Tbilisi, Georgia
(141) 2021 03 04

(111) M 2010 20677 R
(151) 2010 08 16
(732) "Fershin Foor"
Tevdore Mghvdeli St. 22, 0112, Tbilisi,
Georgia
(141) 2021 03 04

(111) M 2010 20681 R
(151) 2010 08 16
(732) Mars Incorporated
6885 Elm Street Mclean, Virginia
22101-3883, USA
(141) 2021 03 04

(111) M 2010 20678 R
(151) 2010 08 16
(732) "Novagi"
Bakhtrioni St. corp. I, app. 10, 0194, Tbilisi,
Georgia
(141) 2021 03 04

REGISTRATION OF LICENSE AGREEMENTS

(111) M 1998 9411 R
(732) VKR HOLDING A/S
Breeitevej 18, DK-2970 Horsholm, Denmark
(791) VELUX A/S
Edelsway 99, 2970 Horsholm, Denmark
(793) №1624
Validity period: 28 01 2019 – For the validity
of the trademark
License type: Simple
Class: 6, 9, 19, 20, 24

(111) M 1998 9412 R
(732) VKR HOLDING A/S
Breeitevej 18, DK-2970 Horsholm, Denmark
(791) VELUX A/S
Edelsway 99, 2970 Horsholm, Denmark
(793) №1625
Validity period: 28 01 2019 – For the validity
of the trademark
License type: Simple
Class: 9

(111) M 2020 32917 R
(732) LLC "Georgian Vine and Wine Company"
Davit Aghmashenebeli Ave. 179a, ap. 25,
0112, Tbilisi, Georgia
(791) LTD "Wine Culture"
T. Tabidze St. 106, Office 2, 0162, Vake
District, Tbilisi, Georgia
(793) №1627
Validity period: 16 02 2021 – For the validity
of the trademark
License type: Special
Class: 33

(111) M 2020 32918 R
(732) LLC "Georgian Vine and Wine Company"
Davit Aghmashenebeli Ave. 179a, ap. 25,
0112, Tbilisi, Georgia
(791) LTD "Wine Culture"
T. Tabidze St. 106, Office 2, 0162, Vake
District, Tbilisi, Georgia
(793) №1628
Validity period: 16 02 2021 – For the validity
of the trademark
License type: Special
Class: 33

(111) M 1996 2608 R
(732) VKR HOLDING A/S
Breeitevej 18, DK-2970 Horsholm, Denmark
(791) VELUX A/S
Edelsway 99, 2970 Horsholm, Denmark
(793) №1622
Validity period: 28 01 2019 – For the validity
of the trademark
License type: Simple
Class: 6, 19, 20, 24

(111) M 1996 2609 R
(732) VKR HOLDING A/S
Breeitevej 18, DK-2970 Horsholm, Denmark
(791) VELUX A/S
Edelsway 99, 2970 Horsholm, Denmark
(793) №1623
Validity period: 28 01 2019 – For the validity
of the trademark
License type: Simple
Class: 19

(111) M 2018 30057 R
(732) JSC "nikora"
M. Qavtaradze St. 11, 0180, Tbilisi, Georgia
(791) LTD "Corida"
Seventh Kilometer Settlement, Poti, Georgia
(793) №1621
Validity period: 01 12 2020 – For the validity
of the trademark
License type: Simple
Class: 29

INTERNATIONAL LICENSE AGREEMENT

(800) 928560

(732) VKR Holding A/S

Tobaksvejen 10, DK-2860 Søborg, Denmark

(791) VELUX A/S

Edelsway 99, 2970 Horsholm, Denmark

(793) №1626

License type: Simple

Validity period: 28 01 2019 – For the validity
of the trademark

Class: 19, 20, 24, 37

CLASSIFICATION INDEXES

INVENTIONS

CONCORDANCE TABLE OF INTERNATIONAL CLASSIFICATION INDEX AND PUBLICATION NUMBERS

INTERNATIONAL CLASSIFICATION INDEXES (51)	NUMBER OF PUBLISHED APPLICATION (10)
A 01 D 46/04	AP 2021 15313 A
A 23 L 7/10; A 23 L 33/00; B 02 C 7/18; B 02 C 7/12	AP 2021 15452 A
A 61 K 39/395; A 61 K 39/00; A 61 K 9/00	AP 2021 14669 A

CONCORDANCE TABLE OF PUBLICATION NUMBERS AND INTERNATIONAL CLASSIFICATION INDEX

NUMBER OF PUBLISHED APPLICATION (10)	INTERNATIONAL CLASSIFICATION INDEXES (51)
AP 2021 14669 A	A 61 K 39/395; A 61 K 39/00; A 61 K 9/00
AP 2021 15313 A	A 01 D 46/04
AP 2021 15452 A	A 23 L 7/10; A 23 L 33/00; B 02 C 7/18; B 02 C 7/12

CONCORDANCE TABLE OF INTERNATIONAL CLASSIFICATION INDEX, PATENT NUMBERS AND PUBLICATION NUMBERS

INTERNATIONAL CLASSIFICATION INDEX (51)	NUMBER OF PATENT (11)	NUMBER OF PUBLISHED APPLICATION (10)
A 61 K 31/4439; A 61 P 9/00; A 61 P 27/00; A 61 P 37/00; A 61 P 35/00; C 07 D 401/12	P 2021 7230 B	AP 2020 14932 A
B 01 D 47/06; B 01 D 47/10; B 01 D 53/58; C 05 C 9/00; C 07 C 273/16	P 2021 7229 B	AP 2020 14950 A

CONCORDANCE TABLE OF PATENT NUMBERS, PUBLICATION NUMBERS AND INTERNATIONAL CLASSIFICATION INDEX

NUMBER OF PATENT (11)	NUMBER OF PUBLISHED APPLICATION (10)	INTERNATIONAL CLASSIFICATION INDEX (51)
P 2021 7229 B	AP 2020 14950 A	B 01 D 47/06; B 01 D 47/10; B 01 D 53/58; C 05 C 9/00; C 07 C 273/16
P 2021 7230 B	AP 2020 14932 A	A 61 K 31/4439; A 61 P 9/00; A 61 P 27/00; A 61 P 37/00; A 61 P 35/00; C 07 D 401/12

**CONCORDANCE TABLE OF APPLICATION NUMBERS, PUBLICATION NUMBERS
AND PATENTS**

NUMBER OF APPLICATION (21)	NUMBER OF PUBLISHED APPLICATION (10)	NUMBER OF PATENT (11)
AP 2017 14932	AP 2020 14932 A	P 2021 7230 B
AP 2017 14950	AP 2020 14950 A	P 2021 7229 B

UTILITY MODELS

**CONCORDANCE TABLE OF INTERNATIONAL CLASSIFICATION INDEX,
PATENT NUMBERS AND PUBLICATION NUMBERS**

INTERNATIONAL CLASSIFICATION INDEX (51)	NUMBER OF PATENT (11)	NUMBER OF PUBLISHED APPLICATION (10)
B 03 D 1/001; B 03 D 1/002	U 2021 2072 Y	AU 2020 14810 U

**CONCORDANCE TABLE OF PATENT NUMBERS,
PUBLICATION NUMBERS AND INTERNATIONAL CLASSIFICATION INDEX**

NUMBER OF PATENT (11)	NUMBER OF PUBLISHED APPLICATION (10)	INTERNATIONAL CLASSIFICATION INDEX (51)
U 2021 2072 Y	AU 2020 14810 U	B 03 D 1/001; B 03 D 1/002

**CONCORDANCE TABLE OF APPLICATION NUMBERS, PUBLICATION NUMBERS
AND PATENTS**

NUMBER OF APPLICATION (21)	NUMBER OF PUBLISHED APPLICATION (10)	NUMBER OF PATENT (11)
AU 2018 14810	AU 2020 14810 U	U 2021 2072 Y

DESIGNS

CONCORDANCE TABLE OF INTERNATIONAL CLASSIFICATION INDEX AND PUBLICATION NUMBERS

INTERNATIONAL CLASSIFICATION INDEXES (51)	NUMBER OF PUBLISHED APPLICATION (10)
18-03	AD 2021 1188 S
29-02	AD 2021 1189 S

CONCORDANCE TABLE OF PUBLICATION NUMBERS AND INTERNATIONAL CLASSIFICATION INDEX

NUMBER OF PUBLISHED APPLICATION (10)	INTERNATIONAL CLASSIFICATION INDEXES (51)
AD 2021 1188 S	18-03
AD 2021 1189 S	29-02

TRADEMARKS

CONCORDANCE TABLE OF REGISTRATION NUMBERS, APPLICATION NUMBERS, PUBLICATION NUMBERS AND BULLETIN NUMBERS

NUMBER OF REGISTRATION (111)	NUMBER OF APPLICATIONS (210)	NUMBER OF PUBLISHED APPLICATIONS (260)	NUMBER OF BULLETIN
M 2021 33727 R	AM 111730	–	4(560)2021
M 2021 33728 R	AM 111530	–	4(560)2021
M 2021 33729 R	AM 111531	–	4(560)2021
M 2021 33730 R	AM 111741	–	4(560)2021
M 2021 33731 R	AM 111880	–	4(560)2021
M 2021 33732 R	AM 111691	–	4(560)2021
M 2021 33733 R	AM 111692	–	4(560)2021
M 2021 33734 R	AM 111729	–	4(560)2021
M 2021 33735 R	AM 111616	–	4(560)2021
M 2021 33736 R	AM 111704	–	4(560)2021
M 2021 33737 R	AM 111727	–	4(560)2021
M 2021 33738 R	AM 105761	AM 2020 105761 A	16(548)2020
M 2021 33739 R	AM 106599	AM 2020 106599 A	16(548)2020
M 2021 33740 R	AM 106648	AM 2020 106648 A	16(548)2020
M 2021 33741 R	AM 106779	AM 2020 106779 A	17(549)2020
M 2021 33742 R	AM 106794	AM 2020 106794 A	16(548)2020
M 2021 33743 R	AM 106795	AM 2020 106795 A	16(548)2020
M 2021 33744 R	AM 106964	AM 2020 106964 A	16(548)2020
M 2021 33745 R	AM 107148	AM 2020 107148 A	21(553)2020
M 2021 33746 R	AM 107149	AM 2020 107149 A	19(551)2020
M 2021 33747 R	AM 107151	AM 2020 107151 A	21(553)2020
M 2021 33748 R	AM 107152	AM 2020 107152 A	19(551)2020
M 2021 33749 R	AM 107263	AM 2020 107263 A	21(553)2020
M 2021 33750 R	AM 107457	AM 2020 107457 A	18(550)2020
M 2021 33751 R	AM 107645	AM 2020 107645 A	21(553)2020
M 2021 33752 R	AM 107650	AM 2020 107650 A	21(553)2020
M 2021 33753 R	AM 107653	AM 2020 107653 A	20(552)2020
M 2021 33754 R	AM 107667	AM 2020 107667 A	21(553)2020
M 2021 33755 R	AM 107668	AM 2020 107668 A	21(553)2020
M 2021 33756 R	AM 107671	AM 2020 107671 A	20(552)2020
M 2021 33757 R	AM 107807	AM 2020 107807 A	21(553)2020
M 2021 33758 R	AM 107815	AM 2020 107815 A	21(553)2020
M 2021 33759 R	AM 107924	AM 2020 107924 A	22(554)2020
M 2021 33760 R	AM 108059	AM 2020 108059 A	21(553)2020
M 2021 33761 R	AM 111847	–	4(560)2021

**CONCORDANCE TABLE OF PUBLICATION NUMBERS
AND APPLICATION NUMBERS**

NUMBER OF PUBLISHED APPLICATION (260)	NUMBER OF APPLICATION (210)	1	2
		1	2
AM 2021 106058 A	AM 106058	AM 2021 109224 A	AM 109224
AM 2021 108231 A	AM 108231	AM 2021 109225 A	AM 109225
AM 2021 109007 A	AM 109007	AM 2021 109232 A	AM 109232
AM 2021 109024 A	AM 109024	AM 2021 109288 A	AM 109288
AM 2021 109118 A	AM 109118	AM 2021 109298 A	AM 109298
AM 2021 109127 A	AM 109127	AM 2021 109301 A	AM 109301
AM 2021 109209 A	AM 109209	AM 2021 109303 A	AM 109303
AM 2021 109212 A	AM 109212	AM 2021 109355 A	AM 109355
AM 2021 109214 A	AM 109214	AM 2021 109356 A	AM 109356
AM 2021 109222 A	AM 109222	AM 2021 109368 A	AM 109368
AM 2021 109223 A	AM 109223	AM 2021 109437 A	AM 109437
		AM 2021 109499 A	AM 109499
		AM 2021 109500 A	AM 109500
		AM 2021 109505 A	AM 109505
		AM 2021 109513 A	AM 109513

**CONCORDANCE TABLE OF INDEX OF GOODS AND/OR SERVICES
AND APPLICATION NUMBERS**

INDEX OF GOODS AND/OR SERVICES (511)	NUMBER OF PUBLISHED APPLICATIONS (260)	1	2
		1	2
1	AM 109214	33	AM 109118
2	AM 109499	33	AM 109223
2	AM 109500	33	AM 109224
5	AM 109007	33	AM 109225
5	AM 109499	33	AM 109288
5	AM 109500	33	AM 109437
5	AM 109513	34	AM 109303
7	AM 109127	34	AM 109505
9	AM 109355	35	AM 106058
12	AM 109212	35	AM 109024
16	AM 106058	35	AM 109209
21	AM 106058	35	AM 109212
25	AM 106058	35	AM 109368
29	AM 109298	35	AM 109499
30	AM 109024	35	AM 109500
30	AM 109298	36	AM 109368
32	AM 109222	37	AM 109212
32	AM 109301	39	AM 106058
33	AM 108231	39	AM 109209
		39	AM 109356
		41	AM 106058
		42	AM 109368
		43	AM 106058
		43	AM 109232

CONCORDANCE TABLE OF INDEX OF GOODS AND/OR SERVICES
AND NUMBERS OF TRADEMARKS REGISTERED ACCORDING
TO THE ACCELERATED PROCEDURE

INDEX OF GOODS AND/OR SERVICES (511)	NUMBERS OF REGISTERED ACCORDING TO THE ACCELERATED PROCEDURE (111)
1	M 2021 33761 R
9	M 2021 33761 R
31	M 2021 33732 R
31	M 2021 33733 R
32	M 2021 33734 R
33	M 2021 33737 R
34	M 2021 33728 R
34	M 2021 33729 R
35	M 2021 33727 R
35	M 2021 33735 R
37	M 2021 33727 R
39	M 2021 33735 R
41	M 2021 33730 R
42	M 2021 33735 R
43	M 2021 33731 R
43	M 2021 33736 R
44	M 2021 33732 R
44	M 2021 33733 R

OFFICIAL BULLETIN OF THE INDUSTRIAL PROPERTY

INVENTIONS
UTILITY MODELS
DESIGNS
TRADEMARKS

4(560)

EDITOR-IN-CHIEF: N. Bebrishvili

EDITOR-TRANSLATOR: E. Gabunia

PROOFREADER: A. Shikhashvili

COMPUTER LAYOUT: M. Ordenidze
K. Svanidze

www.sakpatenti.gov.ge

E-mail: info@sakpatenti.org.ge