



# Official Bulletin of the Industrial Property

Inventions

Utility Models

Designs

Trademarks



საქართველოს ინტელექტუალური  
საკუთრების ეროვნული ცენტრი  
**საქპატენტი**  
**SAKPATENTI**  
NATIONAL INTELLECTUAL PROPERTY  
CENTER OF GEORGIA

# INID CODES FOR IDENTIFICATION OF BIBLIOGRAPHIC DATA

## INVENTIONS, UTILITY MODELS

- (10) Number of publication of examined application/  
Application publication number\*\*\*
- (11) Patent number/ Patent number\*\*\*  
Registered utility model number\*\*\*
- (21) Application number
- (22) Date of filing of the application
- (23) Date of exhibition priority
- (24) Date from which patent may have effect
- (31) Number of priority application
- (32) Date of filing of priority application
- (33) Code of the country or regional organization allotting application number
- (43) Date of publication of application, number of bulletin\*\*\*
- (44) Date of publication of examined application, on which no grant has taken place and number of bulletin
- (45) Date of publication of patent/ Date of publication of patent\*\*\*  
Date of publication of registered utility model\*\*\*
- (51) International Patent Classification Index
- (54) Title of the invention/title of the utility model
- (57) Abstract
- (60) Number of examined patent document granted by foreign patent office, date from which patent has effect and country code
- (62) Number and filing date of the earlier application in case of a divisional application
- (71) Name and address of applicant (country code)
- (72) Name of inventor (country code)
- (73) Name and address of patent owner/patent owner\*\*\*/ registered utility model owner\*\*\* (country code)
- (74) Name of representative or patent attorney
- (85) Date of commencement of the national phase of international application (PCT)
- (86) Number and date of filing of international application (PCT)
- (87) Number and date of publication of international application (PCT)
- (94) Calculated date of expiry of the SPC or the duration of the SPC

## DESIGNS

- (10) Number of publication for application
- (11) Number of patent and kind of document or number of registration
- (15) Date of registration/Date of patent renewal
- (18) Expected expiration date of patent or registration
- (21) Serial number of application
- (22) Date of filing of the application
- (23) Date of exhibition or the date of the earlier filing and the number of application, if any
- (24) Date from which patent may have effect
- (28) Number of designs included in the application
- (30) Data relating to priority (number of application, date of filing of application, two-letter code identifying the authority with whom the priority application was made)
- (31) Number of priority application
- (32) Date of filing of priority application
- (33) Code of the country or regional organization allotting priority application number
- (34) Two-letter code according to WIPO St.3 identifying the authority with which the priority application was made
- (44) Date of publication of design and number of bulletin (the first publication)
- (45) Date of publication of design registered by WIPO and number of bulletin
- (51) International Classification for designs (class and subclass of the Locarno Classification)
- (54) Title of the invention
- (55) Reproduction of the design
- (57) Description of characteristic features of the design including indication of colors
- (58) Date of recording of any kind of amendment in the Register
- (62) Number of the earlier application, registration and document number and if available the date of filing an application in case of divided application
- (71) Name, surname and address of applicant (country code)
- (72) Name, surname of creator (country code)
- (73) Name, surname and address of patent owner (country code)
- (74) Name, surname of representative or patent attorney
- (81) Contracting states concerned  
II designated contracting states according to the 1960 Act  
III designated contracting states according to the 1999 Act
- (85) Owner's permanent address
- (86) Owner's nationality
- (87) Owner's residence
- (88) State in which the owner has a real and effective industrial or commercial establishment

## TRADEMARKS

- (111) – Number of registration
- (151) – Date of registration
- (156) – Date of the renewal
- (181) – Expected expiration date of registration
- (186) – Renewal expiration date of registration
- (141) – Date of cancel of duration of the mark
- (210) – Serial number of application
- (220) – Date of filing of the application
- (230) – Data concerning exhibition
- (260) – Number of application, for which favorable decision of examination about registration has been taken (publication number)
- (310) – Number of the first application
- (320) – Date of filing of the first application
- (330) – Code, identifying national or regional Office where the first application was made
- (511) – International Classification of Goods and Services for the purposes of registration of trade marks and/or list of goods and/or services classified according thereto
- (526) – Disclaimer
- (531) – Description of figurative elements of Trade Marks according to the International Classification of the Figurative Elements of Marks
- (540) – Reproduction of Trade Mark
- (550) – Nature and kind of Trade Mark
- (551) – Indication to the effect that the mark is a collective mark, a certification mark or a guarantee mark
- (554) – Three-dimensional mark
- (580) – Date of recording of any kind changes in respect of applications or registrations
- (591) – Information concerning colors claimed
- (731) – Name and address of the applicant
- (732) – Name and address of the holder of the registration
- (740) – Name and address of the representative
- (750) – Addreses for correspondence
- (770) – Name and address of the previous applicant or holder in case of change in ownership
- (771) – Previous name and address of the applicant or holder in case of change in ownership
- (791) – Name and address of the licensee
- (793) – Indication of conditions and/or restrictions under the license (Type of license, number of license agreement, data of license, data of validity of license)
- (800) – Certain data relating to the international registration of Trade Marks under the Protocol Relating to Madrid Agreement (International registration number
- (852) – Partial cancellation of the list of goods and services
- (891) – Date of subsequent designation

## CODES FOR PUBLICATION IN BULLETIN

- (21) AP 0000 000000 – number of application for invention
- (10) AP 0000 0000 A – number of publication of application for invention
- (11) P 0000 0000 B – number of patent for invention/ patent number\*\*\*
- (21) API 0000 000000 – number of application for imported patent
- (11) PI 0000 0000 A – number of imported patent
- (21) AU 0000 000000 – number of application for utility model
- (10) AU 0000 000 U – number of publication of application for utility model
- (11) U 0000 000 Y – number of patent for utility model/ registered utility model number\*\*\*
- (21) AD 0000 000000 – serial number of application for design
- (10) AD 0000 000 S – number of published application for design (first publication)
- (11) D 0000 000 S – registered design

## INTERNATIONAL PATENT CLASSIFICATION FOR INVENTIONS AND UTILITY MODELS

- SECTION A – HUMAN NECESSITIES
- SECTION B – PERFORMING OPERATIONS; TRANSPORTING
- SECTION C – CHEMISTRY; METALLURGY
- SECTION D – TEXTILES; PAPER
- SECTION E – FIXED CONSTRUCTIONS
- SECTION F – MECHANICAL ENGINEERING; LIGHTING; HEATING; WEAPONS; BLASTING
- SECTION G – PHYSICS
- SECTION H – ELECTRICITY

\* Number of application published after the decision of Appellation Chamber of SAKPATENTI

\*\* Number of application published after Court decision

\*\*\* Materials published according to the amendments of May 16, 2023 (No. 2883-XI0b-X03) to the Patent Law of Georgia

- M – Trade Mark
- (210) AM 0000 000000 – Serial number of application;
- (260) AAM 0000 00000 A – Publication number of application;
- (111) M 0000 00000 R – Number of registration;
- (111) MMM0000 00000 Rn – Number of renewals, in which n=1,2,3;
- (111) M 0000 00000 R(P) – Number of registration under partial assignment of rights

# **Official Bulletin of the Industrial Property**

Inventions

Utility Models

Designs

Trademarks

# CONTENT

<b>PUBLISHED TITLES OF PROTECTION .....</b>	<b>2</b>
<b>INVENTIONS</b>	
▪ APPLICATIONS APPROVED FOR GRANTING PATENT .....	4
▪ PATENTED INVENTIONS .....	5
▪ APPLICATIONS*** .....	8
<b>UTILITY MODELS</b>	
▪ APPLICATION APPROVED FOR GRANTING PATENT .....	10
▪ PATENTED UTILITY MODEL .....	11
▪ APPLICATIONS*** .....	12
▪ REGISTERED UTILITY MODELS*** .....	13
<b>DESIGNS</b>	
▪ APPLICATION APPROVED FOR REGISTRATION .....	14
▪ REGISTERED DESIGN .....	18
<b>TRADEMARKS</b>	
▪ APPLICATIONS FILED UNDER THE NATIONAL PROCEDURE APPROVED FOR REGISTRATION .....	19
▪ REGISTERED TRADEMARKS .....	30
▪ TRADEMARKS REGISTERED ACCORDING TO THE ACCELERATED PROCEDURE .....	37
▪ INTERNATIONAL TRADEMARKS FOR WHICH A DECISION ON GRANTING PROTECTION IS TAKEN .....	39
▪ INTERNATIONAL TRADEMARKS PROTECTED IN GEORGIA .....	222
<b>OFFICIAL NOTIFICATION</b>	
<b>INVENTIONS</b>	
▪ RESTORATION OF PATENT .....	231
▪ LAPSE OF PATENTS WITH THE RIGHT TO RESTORE .....	231
▪ EXPIRATION OF PATENTS RESTORATION TERM .....	232
▪ EXPIRATION OF PATENTS.....	233
<b>UTILITY MODELS</b>	
▪ RESTORATION OF PATENTS .....	234
▪ LAPSE OF PATENTS WITH THE RIGHT TO RESTORE .....	234
▪ EXPIRATION OF PATENTS RESTORATION TERM .....	235
▪ TRANSFER OF RIGHT .....	235
<b>DESIGNS</b>	
▪ CANCELLATION OF DESIGN REGISTRATION .....	236
▪ EXTENSION OF TERM OF INTERNATIONAL DESIGNS REGISTRATION .....	236
<b>TRADEMARKS</b>	
▪ EXTENSION OF TERM OF TRADEMARKS REGISTRATION .....	242
▪ COMPLETE TRANSFER OF RIGHTS .....	248
▪ CHANGES OF NAME AND/OR ADDRESS OF TRADEMARKS OWNERS .....	250
▪ CANCELLATION OF TRADEMARKS REGISTRATION .....	256
▪ CORRECTION OF TECHNICAL DEFICIENCY IN PUBLISHED INFORMATION .....	257
<b>CLASSIFICATION INDEXES</b>	
INVENTIONS .....	259
UTILITY MODELS .....	261
DESIGNS .....	264
TRADEMARKS .....	265

# PUBLISHED TITLES OF PROTECTION

## INVENTIONS

- **APPLICATIONS APPROVED FOR GRANTING PATENT:**  
16059; 16177
- **PATENTED INVENTIONS:**  
7596- 7604
- **APPLICATIONS:** \*\*\*  
16409; 16292; 16385; 16439

## UTILITY MODELS

- **APPLICATION APPROVED FOR GRANTING PATENT:**  
16244
- **PATENTED UTILITY MODEL:**  
2167
- **APPLICATIONS:** \*\*\*  
16356; 16381; 16325
- **REGISTERED UTILITY MODELS:** \*\*\*  
2168-2170

## DESIGNS

- **APPLICATION APPROVED FOR REGISTRATION:**  
1326
- **REGISTERED DESIGN:**  
994

## TRADEMARKS

- **APPLICATIONS FILED UNDER THE NATIONAL PROCEDURE APPROVED FOR REGISTRATION:**  
122102; 122508; 122579; 122656; 122664; 122828; 122836, 122837; 122840; 122846, 122847; 122946; 122980; 123070; 123178; 123217; 123224; 123229; 123316, 123317; 123321, 123322; 123359; 123423; 123483; 123494; 123496; 123500; 123507; 123576; 123588; 123590; 123601; 123608; 123659, 123660; 123872-123876; 123878-123880; 123910, 123911; 123932-123935; 124004-124006; 124010-124015; 124026; 124039, 124040; 124045; 124047; 124126; 124132, 124133; 124135-124138; 124155-124157; 124167; 124247
- **REGISTERED TRADEMARKS:**  
37847-37898; 37906-37934
- **TRADEMARKS REGISTERED ACCORDING TO THE ACCELERATED PROCEDURE:**  
37845, 37846; 37899-37905
- **INTERNATIONAL TRADEMARKS FOR WHICH A DECISION ON GRANTING PROTECTIONS IS TAKEN:**  
113841\*; 113843\*; 115698\*; 120914, 120915; 121098; 121983, 121984; 122246; 122455; 122458; 122473; 122535-122538; 122595; 122617-122620; 122716; 122779, 122780; 122785; 122800; 122819-122821; 122873; 122892-122894; 122903, 122904; 122907-122910; 122923, 122924; 122998; 123000-123003; 123011-123016; 123018; 123033, 123034; 123039, 123040; 123045, 123046; 123110; 123112-123116; 123124; 123137-123139; 123145-123148; 123153, 123154; 123157; 123159, 123160; 123230, 123231; 123247, 123248; 123254-123256; 123261-123264; 123278-123280; 123290-123292; 123378; 123382-123384; 123536-123538
- **INTERNATIONAL TRADEMARKS PROTECTED IN GEORGIA:**  
119053; 119668; 120211; 121003-121005; 121033; 121076, 121077; 121079; 121168-121172; 121264-121269; 121373-121375; 121377, 121378; 121380; 121382; 121384; 121393; 121456-121458; 121460; 121462; 121540, 121541; 121543-121546; 121552; 121557-121562; 121564; 121572, 121573; 121575, 121576; 121590; 121593; 121597-121599; 121601; 121605; 121622-121624; 121671; 121673; 121684, 121685; 121688; 121690-121693; 121695; 121701; 121705-121709; 121777-121780; 121786; 121798; 121800, 121801; 121827-121836; 121879; 121886, 121887; 121953; 121961, 121962; 121981; 121996; 122190-122195; 122243, 122245; 122255; 122259

# INVENTIONS

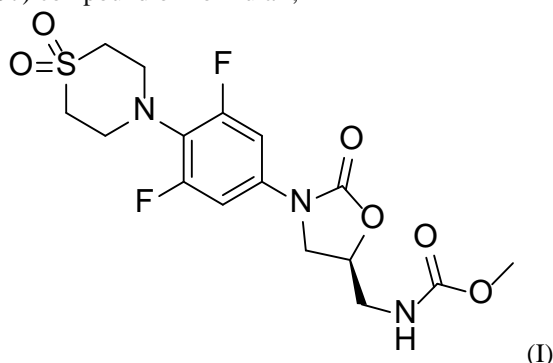
## APPLICATIONS APPROVED FOR GRANTING PATENT

The decision can be appealed at the Chamber of Appeal of Sakpatenti within 3 months from the publication or at the Mtskheta District Court Administrative Cases Board (Address: №17, Samkhedro St., Mtskheta), within 1 month following the publication.

### PART A

#### A 61

- (10) AP 2024 16059 A (51) Int. Cl. (2006)  
A 61 K 31/541  
A 61 P 31/06  
A 61 P 31/04  
C 07 D 279/00
- (21) AP 2021 16059 (22) 2021 03 17
- (31) PCT/CN2020/080359
- (32) 2020 03 20
- (33) CN
- (71) Merck Sharp & Dohme LLC (US)  
126 East Lincoln Avenue, Rahway, NJ 07065,  
USA (US)
- (72) OLSEN, David, B. (US);  
YOU, Lanying (CN);  
YANG, Lihu (US);  
SUZUKI, Takao (CN);  
NANTERMET, Philippe (US);  
CROWLEY, Brendan, M. (US)
- (74) Giorgi Kartvelishvili
- (85) 2022 10 15
- (86) PCT/US2021/022652, 2021 03 17
- (54) OXAZOLIDINONE COMPOUND AND  
METHODS OF USE THEREOF AS  
ANTIBACTERIAL AGENT
- (57) compound of Formula I,



pharmaceutical compositions on the basis thereof, and their usage for the treatment of Mycobacterium tuberculosis infections.

Claims: 10 independents  
16 dependents

### PART B

#### B 21

- (10) AP 2024 16177 A (51) Int. Cl. (2006)  
B 21 J 7/16
- (21) AP 2023 16177
- (22) 2023 02 24
- (71) LEPL Rafiel Dvali Institute of Machine  
Mechanics (GE)  
Mindeli St. 10, 0186, Tbilisi, Georgia (GE)
- (72) Slava Mebonia (GE);  
Tamaz Natriashvili (GE);  
Revaz Kavtaradze (GE);  
Otar Gelashvili (GE)
- (74) Tamaz Natriashvili
- (54) RADIAL-TENSION DEVICE
- (57) A device includes a case 1, in radial slots whereof the sliders 2, having hammers 3 on one end, and rollers 4 on another end, are placed. Pressure ring 5 stands rotatable freely in case 1 cylindrical groove, on inner surface whereof the cams 6 and on the outer surface – actuating lever 7 are attached. Said lever 7 is hinged to curved pressure connecting rod 8 and inserted into body 1 vertical outlet the piston 9, as well. A piston 10 is inserted into case 1 second vertical groove, whereto the second lever 11 is hinged. Said lever 11 is attached to pressure ring 5 outer surface, opposite to drive lever 7; and the grooves are connected to each other by means of connecting channel 12.
- Claims: 1 independent
- Fig.: 1

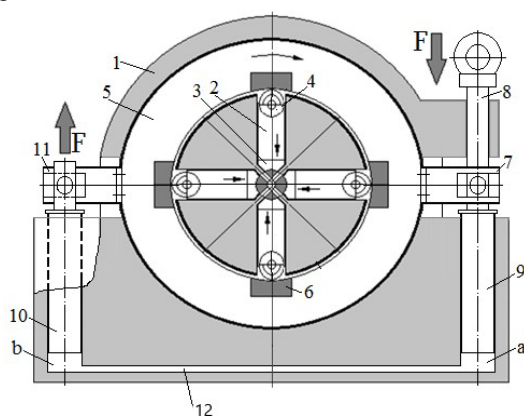


Fig. 1

# PATENTED INVENTIONS

## PART A

### A 61

- |  |  |
|--|--|
| <p>(11) P 2024 7596 B (51) Int. Cl. (2006)<br/>A 61 K 31/47<br/>A 61 P 35/00<br/>C 07 D 215/48</p> <p>(10) AP 2023 15695 A (44) 17(620)/2023<br/>(21) AP 2019 15695<br/>(22) 2019 12 12<br/>(24) 2019 12 12<br/>(31) 62/779,430; 62/856,469<br/>(32) 2018 12 13; 2019 06 03<br/>(33) US; US<br/>(86) PCT/US2019/065972, 2019 12 12<br/>(73) Exelixis Inc. (US)<br/>Delaware Corporation (US)<br/>1851 Harbor Bay Parkway, Alameda<br/>CA, 94502, USA (US)</p> <p>(72) DEMORIN, Frenel (US);<br/>SHAH, Khalid (US);<br/>SHAKYA, Sagar (US);<br/>WONG, Peter (US);<br/>JOHNSON, Courtney, S. (US);<br/>BEVILL, Melanie, Janelle (US);<br/>PARENT, Stephan, D. (US)</p> <p>(74) Tamaz Shilakadze</p> <p>(54) CRYSTALLINE FORMS AND SALT<br/>FORMS OF A KINASE INHIBITOR</p> <hr/> <p>(11) P 2024 7600 B (51) Int. Cl. (2006)<br/>A 61 K 31/7076<br/>C 07 H 19/16</p> <p>(10) AP 2023 15999 A (44) 17(620)/2023<br/>(21) AP 2016 15999<br/>(22) 2016 03 07<br/>(24) 2016 03 07<br/>(62) AP 2016 15528 2016 03 07<br/>(31) 62/129,319; 62/253,958; 62/276,597<br/>(32) 2015 03 06; 2015 11 11; 2016 01 08<br/>(33) US; US; US<br/>(86) PCT/US2016/021276, 2016 03 07<br/>(73) Atea Pharmaceuticals Inc. (US)<br/>125 Summer Street Boston, MA 02110,<br/>USA (US)</p> <p>(72) SOMMADOSSI, Jean-Pierre (US);<br/>MOUSSA, Adel (US)</p> <p>(74) Tamaz Shilakadze</p> <p>(54) <math>\beta</math>-D-2'-DEOXY-2'<math>\alpha</math>-FLUORO-2'-<math>\beta</math>-C-SUBSTITUTED-2-MODIFIED-N<sup>6</sup>-SUBSTITUTED<br/>PURINE NUCLEOTIDES FOR HCV<br/>TREATMENT</p> <hr/> | <p>(11) P 2024 7601 B (51) Int. Cl. (2006)<br/>A 61 K 39/00<br/>A 61 K 9/00<br/>A 61 K 9/14<br/>C 07 K 16/24</p> <p>(10) AP 2023 15672 A (44) 18(621)/2023<br/>(21) AP 2019 15672<br/>(22) 2019 12 06<br/>(24) 2019 12 06<br/>(31) PCT/EP/2018/084057<br/>(32) 2018 12 07<br/>(33) EP<br/>(86) PCT/EP2019/083992, 2019 12 06<br/>(73) Tillotts Pharma AG (CH)<br/>Baslerstrasse 15, Rheinfelden, 4310, Switzerland (CH)</p> <p>(72) FURRER, Esther Maria (CH);<br/>SPLEISS, Johannes (CH);<br/>GERSTNER, Ortrud (CH);<br/>VARUM, Felipe (CH);<br/>BRAVO, Roberto (CH);<br/>BRUNO, Cristina (CH);<br/>NEDELJKOVIC, Marijana (CH)</p> <p>(74) Tamar Kotchlamazashvili</p> <p>(54) TOPICAL TREATMENT OF IMMUNE<br/>CHECKPOINT INHIBITOR INDUCED<br/>DIARRHOEA, COLITIS OR ENTERO-<br/>COLITIS USING ANTIBODIES<br/>AND FRAGMENTS THEREOF</p> <hr/> <p>(11) P 2024 7604 B (51) Int. Cl. (2006)<br/>A 61 K 39/00</p> <p>(10) AP 2023 16018 A (44) 21(624)/2023<br/>(21) AP 2022 16018<br/>(22) 2022 08 03<br/>(24) 2022 08 03<br/>(73) G. Eliava Institute of Bacteriophages, Microbiology and Virology (GE)<br/>Levan Gotua St. 3, 0160, Tbilisi, Georgia (GE);<br/>Shota Rustaveli National Science Foundation of Georgia (GE)<br/>Merab Aleksidze St., II Lane 2, 0193, Tbilisi, Georgia (GE)</p> <p>(72) Sergo Rigvava (GE);<br/>Lia Gubeladze (GE);<br/>Merab Natidze (GE);<br/>Natia Karumidze (GE);<br/>Leila Kvatchadze (GE);<br/>Dali Gogiashvili (GE);<br/>Darejan Bolkvadze (GE);<br/>Lali Kavtaradze (GE)</p> <p>(74) Shalva Gvaramadze</p> <p>(54) METHOD FOR ANTISTAPHYLOCOCCAL<br/>POLYCLONAL IMMUNOGLOBULIN<br/>PREPARATION</p> <hr/> |
|--|--|

**PART B****B 61**

- (11) P 2024 7603 B (51) Int. Cl. (2006)  
B 61 H 1/00  
F 61 D 65/04
- (10) AP 2023 15577 A (44) 21(624)/2023
- (21) AP 2019 15577
- (22) 2019 05 30
- (24) 2019 05 30
- (31) 2018131073
- (32) 2018 08 28
- (33) RU
- (86) PCT/RU2019/000388, 2019 05 30
- (73) Public Joint Stock Company "Ural Plant of Auto-Textile Products" (RU)  
Plekhanova St. 64, Asbest, Sverdlovsk Rgn.,  
624273, Russian Federation (RU)
- (72) KUZMINYIKH, Andrey Germanovich (RU);  
ROMANENKO, Vitaliy Valerievich (RU)
- (74) Larisa Amirkhanyan
- (54) BRAKE SHOE FOR A RAIL VEHICLE

**PART C****C 08**

- (11) P 2024 7598 B (51) Int. Cl. (2006)  
C 08 B 37/10
- (10) AP 2023 15747 A (44) 17(620)/2023
- (21) AP 2020 15747
- (22) 2020 04 24
- (24) 2020 04 24
- (31) 202010078241.3; P201930373
- (32) 2020 01 23; 2019 04 26
- (33) ES ; CN
- (86) PCT/ES2020/070263, 2020 04 24
- (73) Laboratorios Farmacéuticos Rovi, S.A. (ES)  
Julián Camarillo, 35, Madrid, E-28037,  
Spain (ES)
- (72) GUTIERRO ADURIZ, Ibon (ES);  
FRANCO RODRÍGUEZ, Guillermo (ES)
- (74) Giorgi Kartvelishvili
- (54) METHOD FOR OBTAINING LOW-MOLECULAR-WEIGHT HEPARINS BY MEANS OF TANGENTIAL FLOW FILTRATION

**C 10**

- (11) P 2024 7597 B (51) Int. Cl. (2006)  
C 10 B 57/06  
C 10 B 45/00  
C 10 L 1/00  
C 10 L 5/34  
C 10 M 171/00
- (10) AP 2023 15987 A (44) 18(621)/2023
- (21) AP 2020 15987
- (22) 2020 11 26
- (24) 2020 11 26
- (31) 19213124.1
- (32) 2019 12 03
- (33) EP
- (86) PCT/EP2020/083470, 2020 11 26
- (73) Sicpa Holding SA (CH)  
Avenue de Florissant 41, 1008 Prilly,  
Switzerland (CH)
- (72) ZÜHLKE, Martin (DE);  
RIEBE, Daniel (DE);  
BEITZ, Toralf (DE);  
TILLER, Thomas (CH);  
LOPEZ GEJO, Juan (CH);  
LASKAY, Ünige (CH)
- (74) Liliana Darakhvelidze
- (54) METHOD FOR DETERMINING AUTHENTICITY AND ADULTERATION OF MARKED PETROLEUM HYDROCARBONS

**C 22**

- (11) P 2024 7602 B (51) Int. Cl. (2006)  
C 22 B 11/02  
C 22 B 9/10  
C 22 B 9/16
- (10) AP 2023 15809 A (44) 21(624)/2023
- (21) AP 2019 15809
- (22) 2019 08 20
- (24) 2019 08 20
- (31) 16/397,441; 16/507,158
- (32) 2019 04 29; 2019 07 10
- (33) US; US
- (86) PCT/US2019/047304, 2019 08 20
- (73) Techemet, LP (US)  
6025 Genoa Red Bluff Rd. Pasadena, TX 77507,  
USA (US)
- (72) ALBRECHT, Edward W. (US);  
MCCULLOUGH, Steven D. (US)
- (74) Shalva Gvaramadze
- (54) PGM CONVERTING PROCESS AND JACKETED ROTARY CONVERTER



---

**PART G****G 01**

- (11) P 2024 7599 B      (51) Int. Cl. (2006)  
G 01 N 27/00
- (10) AP 2023 15929 A    (44) 20(623)/2023
- (21) AP 2022 15929
- (22) 2022 04 15
- (24) 2022 04 15
- (73) Giorgi Nozadze (GE)  
Zghvis Ubani IV m/r., bld. 6, ap. 37, 0178,  
Tbilisi, Georgia (GE);  
Karlo Tavlashvili (GE)  
Nutsbidze St. 193, ap. 12, Tbilisi,  
Georgia (GE);  
Giorgi Kartvelishvili (GE)  
Vazha-Pshavela Av. 59, ap. 11, 0186, Tbilisi,  
Georgia (GE)
- (72) Giorgi Nozadze (GE);  
Karlo Tavlashvili (GE);  
Giorgi Kartvelishvili (GE)
- (54) SENSOR HEAD OF MAGNETOIN DUCTION  
DEFECTOSCOPE FOR LONGITUDINAL  
FERROMAGNETIC PRODUCTS
-

## APPLICATIONS\*\*\*

### PART A

#### A 61

- (10) AP 2024 16409 A (51) Int. Cl. (2006)  
 A 61 K 31/4745  
 A 61 K 39/395  
 A 61 P 35/00  
 C 07 D 491/147  
 C 07 D 491/12
- (43) 2024 02 26 №4  
 (21) AP 2022 16409  
 (22) 2022 05 06  
 (31) 63/248,705; 63/321/187; 63/185,736  
 (32) 2021 09 27; 2022 03 18; 2021 05 07  
 (33) US; US; US  
 (71) ALX Oncology INC. (US)  
 323 Allerton Avenue, South San Francisco, CA  
 94080, USA (US)  
 (72) PONS, Jaume (US);  
 WONG, Janica Cheuk-ying (US);  
 VRLJIC, Marija (US);  
 STROP, Peter (US)  
 (74) Tamar Kochlamazashvili  
 (85) 2023 12 06  
 (86) PCT/US2022/028193, 2022 05 06  
 (54) EXATECAN DERIVATIVES AND  
 ANTIBODY-DRUG CONJUGATES  
 THEREOF  
 (57) Disclosed herein, in part, are compounds (I) which  
 are exatecan derivatives with novel chemical linkers  
 that include cathepsin B cleavable moieties, and  
 conjugated to targeting antibodies.

### PART B

#### B 65

- (10) AP 2024 16292 A (51) Int. Cl. (2006)  
 B 65 D 85/10  
 G 06 Q 10/0833  
 G 06 Q 30/0601  
 G 06 Q 30/015  
 G 06 Q 30/018  
 G 06 Q 20/20
- (43) 2024 02 26 №4  
 (21) AP 2023 16292  
 (22) 2023 05 26  
 (31) 2022/07286; 2022/09914  
 (32) 2022 07 01; 2022 09 06  
 (33) ZA; ZA

- (71) K61 Blazer Investments (PTY) LTD (ZA)  
 37 Rae Frankel Street, Brackenhurst, Gauteng,  
 Johannesburg, 1452, Republic of South  
 Africa (ZA)  
 (72) PHILLIPS, Victor Albert (ZA)  
 (74) Khatuna Imnadze  
 (85) 2023 07 12  
 (86) PCT/IB2023/055410, 2023 05 26  
 (54) SYSTEM AND METHOD FOR FACILITA-  
 TING CIGARETTE SALES AND CIGARETTE  
 TRACKING  
 (57) Present invention relates to system for facilitating  
 either one of cigarette sales and cigarette tracking,  
 wherein the system comprises blister pack for  
 cigarettes with a cover on front side, user device,  
 processor, and server electronically communicated  
 therewith.

### PART C

#### C 07

- (10) AP 2024 16385 A (51) Int. Cl. (2006)  
 C 07 K 16/30
- (43) 2024 02 26 №4  
 (21) AP 2022 16385  
 (22) 2022 04 04  
 (31) 63/172,299  
 (32) 2021 04 08  
 (33) US  
 (71) Merck Sharp & Dohme LLC (US)  
 126 East Lincoln Avenue, Rahway, NJ 07065,  
 USA  
 (72) LALA, Mallika (US);  
 DE MIRANDA SILVA, Carolina (US);  
 GHEYAS, Ferdous (US);  
 KRISHNAMACHARI, Yogita (US);  
 CHARTASH, Elliot Keith  
 JAIN, Lokesh (US);  
 VADDADY, Venkata Naga Ratna Pavan  
 Kumar (US)  
 (74) Shalva Gvaramadze  
 (85) 2023 11 01  
 (86) PCT/US2022/023250, 2022 04 04  
 (54) METHODS FOR TREATING CANCER WITH  
 SUBCUTANEOUS ADMINISTRATION  
 OF ANTI-PD1 ANTIBODIES  
 (57) The invention relates to methods for treating  
 cancer in a patient comprising subcutaneously admi-  
 nistering a PD-1 antagonist, e.g., an anti-PD-1 antibo-  
 dy, or antigen binding fragment thereof, (e.g. pembro-  
 lizumab), in specific amounts to the patient. In some  
 embodiments, the administration occurs about every

three weeks. In some embodiments, the amount of anti-PD-1 antibody, or antigen binding fragment thereof, is about 280 mg to about 450 mg. In certain embodiments, the PD-1 antagonist is pembrolizumab, or an antigen binding fragment thereof. Also provided are compositions and kits formulated for subcutaneous administration comprising a dosage of an anti-PD-1 antibody, or antigen-binding fragment thereof, and uses thereof for treating cancer.

---

## PART H

### H 04

- (10) AP 2024 16439 A (51) Int. Cl. (2006)  
H 04 N 19/503  
H 04 N 19/70
- (43) 2024 02 26 №4  
(21) AP 2021 16439  
(22) 2021 05 21  
(62) AP 2021 16139 2021 05 21  
(31) 20176178.0; 20176206.9  
(32) 2020 05 22; 2020 05 22  
(33) EP; EP  
(71) GE Video Compression, LLC (US)  
1 Research Circle, Niskayuna, NY 12309,  
USA (US)  
(72) WIEGAND, Thomas (DE);  
SKUPIN, Robert (DE);  
SÁNCHEZ DE LA FUENTE, Yago (DE);  
SÜHRING, Karsten (DE);  
HELLGE, Cornelius (DE);  
SCHIERL, Thomas (DE)  
(74) Larisa Amirkhanyan  
(85) 2024 01 22  
(86) PCT/EP2021/063587, 2021 05 21  
(54) VIDEO ENCODER, VIDEO DECODER,  
METHODS FOR ENCODING AND DECODING  
AND VIDEO DATA STREAM FOR  
REALIZING ADVANCED VIDEO CODING  
CONCEPTS  
(57) An apparatus (200) for receiving an input video data stream according to an embodiment is provided. The input video data stream has a video encoded thereinto. The apparatus (200) is configured to generate an output video data stream from the input video data stream.
-

---

# UTILITY MODELS

## APPLICATION APPROVED FOR GRANTING PATENT

The decision can be appealed at the Chamber of Appeal of Sakpatenti within 3 months from the publication or at the Mtskheta District Court Administrative Cases Board (Address: №17, Samkhedro St., Mtskheta), within 1 month following the publication.

### PART B

#### B 65

(10) AU 2024 16244 U (51) Int. Cl. (2006)

B 65 F 1/00

(21) AU 2023 16244 (22) 2023 05 10

(71) LTD "ISI" (GE)

Zviad Gamsakhurdia Ave. 2, ap. 42, Kutaisi,  
Georgia (GE)

(72) Giorgi Khalichava (GE);

Irakli Robakidze (GE)

(74) Khatuna Imnadze

(54) SMART BIN

(57) A bin includes a case 1, the hollow whereof is provided to place waste products therein, and rotatable connected thereto the lid 2 executed capable to hold open and close positions. The bin is equipped with control unit 5 including: detecting the user's physical motion the transmitter 4 and a drive 7, wherein both are connected to a controller 6. The controller is configured to receive a signal from the transmitter at opening of lid, and transmit the signal into the drive to move the lid from close into open position.

Claims: 1 independent

4 dependents

Fig.: 2

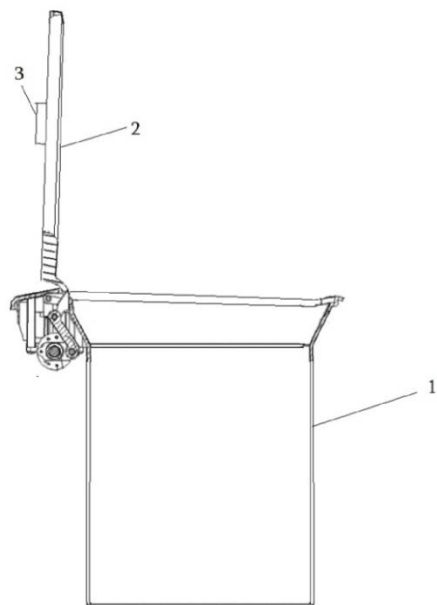


Fig. 1

---

# PATENTED UTILITY MODEL

## PART D

### D 04

- (11) U 2024 2167 Y (51) Int. Cl. (2006)  
D 04 H 17/10
- (10) AU 2023 16251 U (44) 20(623)/2023
- (21) AU 2023 16251
- (22) 2023 05 17
- (24) 2023 05 17
- (73) Davit Tavkhelidze (GE)  
Ir. Abashidze St. 21, 0179, Tbilisi, Georgia (GE);  
Nia Natbiladze (GE)  
Al. Kazbegi Av. 1, ap. 12, Tbilisi,  
Georgia (GE);  
Tinatini Iordanishvili (GE)  
Vill. Mukhrani, Mtskheta, Georgia (GE);  
Lia Lursmanashvili (GE)  
Ir. Abashidze St. 44a, 0179, Tbilisi, Georgia (GE);  
Olgha Rukhadze (GE)  
Al. Duma St. 12, Tbilisi, Georgia (GE)
- (72) Davit Tavkhelidze (GE);  
Nia Natbiladze (GE);  
Tinatini Iordanishvili (GE);  
Lia Lursmanashvili (GE);  
Olgha Rukhadze (GE)
- (54) DEVICE FOR TIGHTENING AND  
STRAIGHTENING NON-WOVEN FABRIC
-

## APPLICATIONS\*\*\*

## PART A

## A 61

- (10) AU 2024 16356 U (51) Int. Cl. (2006)  
A 61 K 33/04  
A 61 K 36/60  
A 61 K 33/26
- (43) 2024 02 26 №4  
(21) AU 2023 16356 (22) 2023 09 18  
(71) Merab Lekveishvili (GE)  
Vill. Ianeti, 3922, Samtredia Region,  
Georgia (GE)  
(72) Merab Lekveishvili (GE)  
(74) Nugzar Ksovreli  
(54) HEPATOPROTECTIVE TREATING PROPHY-  
LACTIC REMEDY  
(57) A remedy includes iron sulphide, sulfur, fig leaf  
(*Ficus carica*), and pharmaceutically acceptable  
carrier as active ingredient.
- 

## PART B

## B 28

- (10) AU 2024 16381 U (51) Int. Cl. (2006)  
B 28 B 1/16  
C 12 G 1/00  
C 12 G 1/02  
C 12 G 1/036
- (43) 2024 02 26 №4  
(21) AU 2023 16381 (22) 2023 10 26  
(71) Enriko Beridze (GE)  
Titsian Tabidze 1<sup>st</sup> Dead End 10, 0179, Tbilisi,  
Georgia (GE)  
(72) Enriko Beridze  
(54) VESSEL FOR WINEMAKING AND/OR  
AGING  
(57) A vessel includes clay capacity 1 covered with  
slaked lime layer 2 surrounded in its turn with metal  
cover 4.
- 

## PART D

## D 01

- (10) AU 2024 16325 U (51) Int. Cl. (2006)  
D 01 C 1/00  
D 06 M 11/00
- (43) 2024 02 26 №4  
(21) AU 2023 16325 (22) 2023 08 14  
(71) Tbilisi State Medical University (GE)  
Vazha-Pshavela Av. 33, 0186, Tbilisi,  
Georgia (GE)  
(72) Aliosha Bakuridze;  
Zurab Vadachkoria;  
Ekaterine Mosidze;  
Giorgi Bakuridze;  
Lasha Bakuridze;  
Kakhi Bakuridze;  
Dali Berashvili;  
Lamzira Ebraldze  
(54) METHOD FOR ANTIMICROBIAL FIBER  
PRODUCTION  
(57) Antimicrobial fiber is produced with Colchian  
flax fiber, wherein silver nanoparticles modified with  
phenolcarbonacides are impregnated. Silver  
nanoparticles biosynthesis is executed by squeezing  
of Colchian flax seeds.
-

**REGISTERED UTILITY MODELS\*\*\*****PART A****A 61**

- (11) U 2024 2168 Y (51) Int. Cl. (2006)  
 A 61 K 33/04  
 A 61 K 36/60  
 A 61 K 33/26
- (45) 2024 02 26 (43) 2024 02 26 №4  
 (10) AU 2024 16356 U  
 (21) AU 2023 16356  
 (22) 2023 09 18  
 (73) Merab Lekveishvili (GE)  
 Vill. Ianeti, 3922, Samtredia Region,  
 Georgia (GE)  
 (72) Merab Lekveishvili (GE)  
 (74) Nugzar Ksovreli  
 (54) HEPATOPROTECTIVE TREATING PROPHY-  
 LACTIC REMEDY
- 

**PART B****B 28**

- (11) U 2024 2169 Y (51) Int. Cl. (2006)  
 B 28 B 1/16  
 C 12 G 1/00  
 C 12 G 1/02  
 C 12 G 1/036
- (45) 2024 02 26 (43) 2024 02 26 №4  
 (10) AU 2024 16381 U  
 (21) AU 2023 16381  
 (22) 2023 10 26  
 (73) Enriko Beridze (GE)  
 Titsian Tabidze 1<sup>st</sup> Dead End 10, 0179, Tbilisi,  
 Georgia (GE)  
 (72) Enriko Beridze  
 (54) VESSEL FOR WINEMAKING AND/OR  
 AGING
- 

**PART D****D 01**

- (11) U 2024 2170 Y (51) Int. Cl. (2006)  
 D 01 C 1/00  
 D 06 M 11/00
- (45) 2024 02 26 (43) 2024 02 26 №4  
 (10) AU 2024 16325 U  
 (21) AU 2023 16325  
 (22) 2023 08 14  
 (73) Tbilisi State Medical University (GE)  
 Vazha-Pshavela Av. 33, 0186, Tbilisi,  
 Georgia (GE)  
 (72) Aliosha Bakuridze;  
 Zurab Vadachkoria;  
 Ekaterine Mosidze;  
 Giorgi Bakuridze;  
 Lasha Bakuridze;  
 Kakhi Bakuridze;  
 Dali Berashvili;  
 Lamzira Ebralidze  
 (54) METHOD FOR ANTIMICROBIAL FIBER  
 PRODUCTION
-

---

# DESIGNS

## APPLICATION APPROVED FOR REGISTRATION

The decision can be appealed at the Chamber of Appeal of Sakpatenti within 3 months from the publication or at the Mtskheta District Court Administrative Cases Board (Address: №17, Samkhedro str., Mtskheta), within 1 month following the publication.

(10) AD 2024 1326 S (51) 07-01

(21) AD 2023 1326 (22) 2023 07 18

(28) 6

(71) Gia Gamtkitsulashvili (GE)

Vazha-Pshavela Ave. 71, bld. "C", ap. 7, Tbilisi, Georgia (GE);

Gela Gamtkitsulashvili (GE)

Vazha-Pshavela Ave. 71, bld. "C", ap. 7, Tbilisi, Georgia (GE)

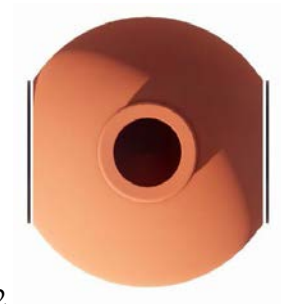
(72) Gia Gamtkitsulashvili (GE);

Gela Gamtkitsulashvili (GE)

(74) Nikoloz Gogilidze (GE)

(54) QVEVRI (WINE JAR)

(55)







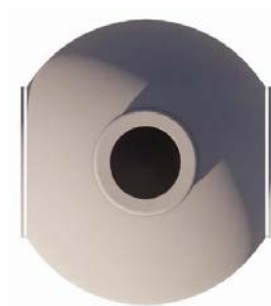
1.5



1.6



2.1



2.2



2.3



2.4



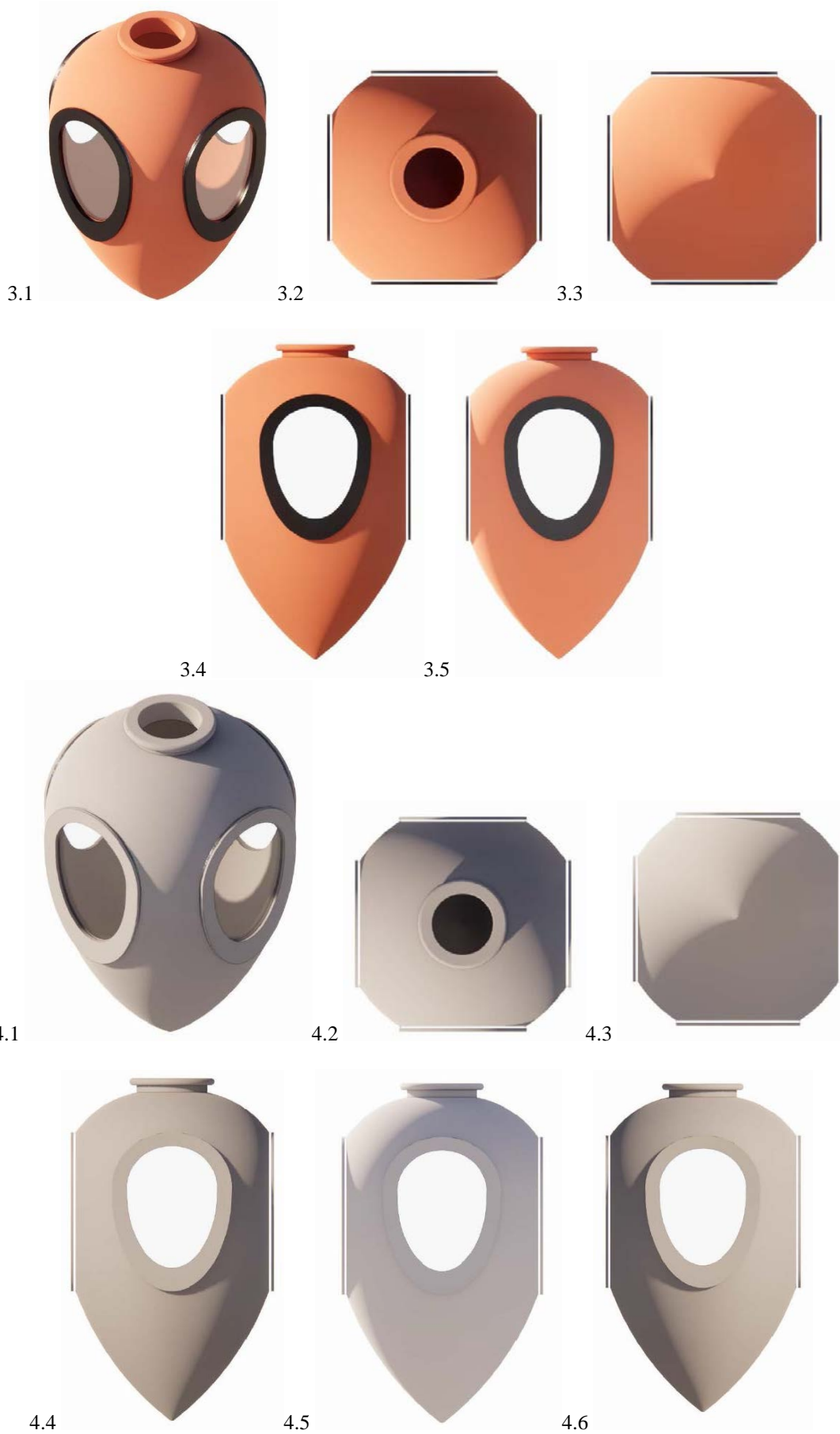
2.5



2.6

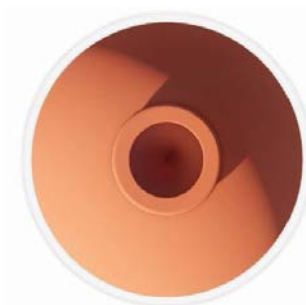


2.7





5.1



5.2



5.3



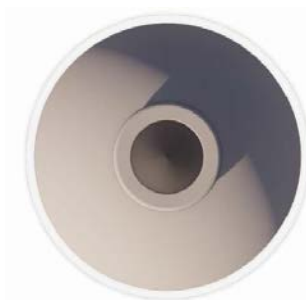
5.4



5.5



6.1



6.2



6.3



6.4



6.5

## REGISTERED DESIGN

- (11) D 2024 994 S           (51) 11-01  
(10) AD 2023 1319 S       (44) 2023 11 10 №21  
(21) AD 2023 1319  
(22) 2023 07 01  
(24) 2023 07 01  
(28) 14  
(18) 2028 07 01  
(73) Donara Berdzenishvili (GE)  
      Vill. Kvemo Erketi, 4900, Chokhatauri,  
      Georgia (GE)  
(72) Donara Berdzenishvili (GE)  
(74) Donara Berdzenishvili (GE)  
(54) 12.-14. BRACELET; 1. SET OF EARRINGS  
      AND PENDANT; 2.-11. EARRING
-

# TRADEMARKS

## APPLICATIONS FILED UNDER THE NATIONAL PROCEDURE APPROVED FOR REGISTRATION

The decision can be appealed at the Chamber of Appeal of Sakpatenti within 3 months from the publication or at the Mtskheta District Court Administrative Cases Board (Address: №17, Samkhedro St., Mtskheta), within 1 month following the publication.

(260) AM 2024 122102 A  
(210) AM 122102  
(220) 2023 03 17  
(731) LLC "City Hotels"  
Davit Aghmashenebli Av. 140B, Tbilisi,  
Georgia  
(540)



(591) Black, golden  
(531) 01.01.01; 01.01.05; 01.01.10; 25.01.25;  
26.04.22; 26.04.24; 27.05.01; 27.05.24;  
29.01.12  
(526) TBILISI  
(511) 43

(260) AM 2024 122508 A  
(210) AM 122508  
(220) 2023 04 20  
(731) LLC "DFL Group"  
Titsian Tabidze St. 84B, ap. 10, Tbilisi, Georgia  
(540)



(591) Blue, yellow, red  
(531) 01.15.21; 20.05.13; 27.05.01; 28.19; 29.01.13  
(511) 35, 38, 39, 42

(260) AM 2024 122579 A  
(210) AM 122579  
(220) 2023 04 25  
(731) LTD "Impexpharm"  
Giorgi Saakadze II exit 17, 0160, Tbilisi,  
Georgia

(740) Nugzar Ksovreli  
(540)

### Repadent

(591) Black-white  
(511) 5

(260) AM 2024 122656 A  
(210) AM 122656  
(220) 2023 05 01  
(731) Philip Morris Brands Sàrl  
Quai Jeanrenaud 3, 2000 Neuchâtel,  
Switzerland  
(740) Pavle Meipariani  
(540)



(591) Black-white  
(531) 01.01.03; 01.01.09; 26.11.03; 26.11.05;  
26.11.12; 26.11.13; 27.05.01; 27.05.15  
(511) 34

(260) AM 2024 122664 A  
(210) AM 122664  
(220) 2023 05 02  
(740) LTD "Kakhetian Traditional Winemaking"  
Sulkhan Tsintsadze St. 12, 0160, Tbilisi,  
Georgia  
(540)

### კოლიერი COLIER КОЛИЕР

(591) Black-white  
(511) 33

(260) AM 2024 122828 A  
(210) AM 122828  
(220) 2023 05 15  
(731) Joint Stock Company "Lomisi"  
Vill. Natakhtari, 3308, Mtskheta, Georgia

(540)

## Mtieli

(591) Black-white  
(511) 32

(260) AM 2024 122836 A  
(210) AM 122836  
(220) 2023 05 16  
(731) LTD "Meamani"  
Davit Javidze St. 31, ap. 81, Gldani District,  
Tbilisi, Georgia  
(540)



(591) Black, golden, white  
(531) 05.07.10; 24.09.07; 26.02.07; 26.11.12;  
27.05.01; 29.01.12  
(511) 33, 35

(260) AM 2024 122837 A  
(210) AM 122837  
(220) 2023 05 16  
(731) N.V. Nutricia  
Eerste Stationsstraat 186, 2712 HM  
Zoetermeer, Netherlands  
(740) Giorgi Taktakishvili  
(540)

## CESAR BIOTIK

(591) Black-white  
(511) 5, 29

(260) AM 2024 122840 A  
(210) AM 122840  
(220) 2023 05 16  
(731) Artur Arustamyan  
Apt. 8, Nalbandyan 116, 0001, Yerevan,  
Armenia  
(740) Giorgi Taktakishvili  
(540)



(591) Purple, green  
(531) 05.03.17; 05.03.20; 27.05.01; 29.01.12  
(511) 5, 35

(260) AM 2024 122846 A  
(210) AM 122846  
(220) 2023 05 17  
(731) Zentiva K.S.  
U Kabelovny 130, Prague 10, 10237, Czech  
Republic  
(740) Nugzar Ksovreli  
(540)

## VIDORA

(591) Black-white  
(511) 5

(260) AM 2024 122847 A  
(210) AM 122847  
(220) 2023 05 17  
(731) Zentiva K.S.  
U Kabelovny 130, Prague 10, 10237, Czech  
Republic  
(740) Nugzar Ksovreli  
(540)

## ВИДОРА

(591) Black-white  
(511) 5

(260) AM 2024 122946 A  
(210) AM 122946  
(220) 2023 05 19  
(310) 88806  
(320) 2023 02 28  
(330) JM  
(731) Philip Morris Brands Sàrl  
Quai Jeanrenaud 3, 2000 Neuchâtel,  
Switzerland  
(740) Pavle Meipariani  
(540)



(591) Different shades of grey, black, white  
(531) 10.01.18; 26.03.23; 27.05.01; 27.05.21  
(511) 34

(260) AM 2024 122980 A  
 (210) AM 122980  
 (220) 2023 05 25  
 (731) THG Nutrition Limited  
 5th Floor, Voyager House, Chicago Avenue,  
 Manchester Airport, Manchester M90 3DQ,  
 United Kingdom  
 (740) Giorgi Taktakishvili  
 (540)

## MYPROTEIN

(591) Black-white  
 (511) 35

(260) AM 2024 123070 A  
 (210) AM 123070  
 (220) 2023 05 29  
 (731) LTD "Tfilisis Marani"  
 Paliashvili St. 33, ap. 6, 0179, Tbilisi, Georgia  
 (540)



(591) Black-white  
 (531) 27.05.01; 27.05.10; 27.05.15  
 (526) Telavi  
 (511) 32, 33

(260) AM 2024 123178 A  
 (210) AM 123178  
 (220) 2023 06 03  
 (731) Youping Tan  
 Room 402, 4F, Unit 2, Building 4, Fuyuan  
 Community, No. 41, Qinhuang Middle Road,  
 Qindu District, Xianyang City, Shaanxi  
 Province, People's Republic of China  
 (740) Giorgi Kartvelishvili  
 (540)

## PROLISS

(591) Black-white  
 (531) 27.05.01  
 (511) 7, 8, 11

(260) AM 2024 123217 A  
 (210) AM 123217  
 (220) 2023 06 08  
 (731) Trakya Et Ve Süt Ürünleri Sanayi Ve Ticaret  
 Anonim Şirketi  
 İçerenköy Mah. Askent Sk. Kosifler Oto No: 3  
 A İç Kapi No: 18 Ataşehir/ İstanbul, Türkiye  
 (740) Tamaz Shilakadze

(540)



(591) White, green, red  
 (531) 05.03.06; 24.07.01; 24.07.23; 26.04.06;  
 26.04.22; 26.04.24; 27.05.08; 27.05.24;  
 29.01.13  
 (511) 29, 30, 35, 43

(260) AM 2024 123224 A  
 (210) AM 123224  
 (220) 2023 06 08  
 (731) Maka Metreveli  
 Larsi Lane 3, Tbilisi, Georgia  
 (540)



## VERVELEVI

◆ ENDLESS LOVE ◆

(591) Black-white  
 (531) 02.09.01; 27.05.01; 27.05.10; 28.19  
 (511) 29, 30, 33, 43

(260) AM 2024 123229 A  
 (210) AM 123229  
 (220) 2023 06 09  
 (731) LTD "Georgian Wine House"  
 Vill. Zegaani, 1514, Gurjaani Region, Georgia  
 (540)

ბეკას ღვინო  
**Bekas wine**  
**Бекас вино**

(591) Black-white  
 (511) 33

(260) AM 2024 123316 A  
 (210) AM 123316  
 (220) 2023 06 10  
 (731) George Tavadze  
 Giorgi Shatberashvili St. 15, 0179, Tbilisi,  
 Georgia  
 (740) Gocha Gogishvili  
 (540)

ინჰერით ქოლექშენი

(591) Black-white  
 (511) 35, 43

(260) AM 2024 123317 A  
 (210) AM 123317  
 (220) 2023 06 10  
 (731) George Tavadze  
 Giorgi Shatberashvili St. 15, 0179, Tbilisi,  
 Georgia  
 (740) Gocha Gogishvili  
 (540)

**ჰერითიჯ კოლექშენი**

(591) Black-white  
 (511) 35, 43

(260) AM 2024 123321 A  
 (210) AM 123321  
 (220) 2023 06 10  
 (731) LTD "Pharmhub"  
 Akaki Tsereteli Av. 116, 0119, Didube District,  
 Tbilisi, Georgia  
 (740) Davit Chikhladze  
 (540)

**ბენეკომი**

**BENEKOM  
 БЕНЕКОМ**

(591) Black-white  
 (511) 5

(260) AM 2024 123322 A  
 (210) AM 123322  
 (220) 2023 06 10  
 (731) LTD "Pharmhub"  
 Akaki Tsereteli Av. 116, 0119, Didube District,  
 Tbilisi, Georgia  
 (740) Davit Chikhladze  
 (540)

**ბინოტეკი**

**BINOTEK  
 БИНОТЕК**

(591) Black-white  
 (511) 5

(260) AM 2024 123359 A  
 (210) AM 123359  
 (220) 2023 06 15  
 (731) Al Kamal Shampoo & Cleaning Materials  
 Industries LLC  
 Sharjah Industrial No. 3 / Sharjah Third  
 Industrial Street - Shubra No. 1 King Ali  
 Humaid Obaid Al Shamsi, United Arab  
 Emirates  
 (740) Tamaz Shilakadze

(540)



(591) Black-white, pale pink  
 (531) 03.07.07; 27.05.01; 29.01.12  
 (511) 3

(260) AM 2024 123423 A  
 (210) AM 123423  
 (220) 2023 06 21  
 (731) Seminis Vegetable Seeds Inc.  
 800 North Lindbergh Blvd., St. Louis, Missouri  
 63167, USA  
 (740) Shalva Gvaramadze  
 (540)

**SEMINIS**

(591) Black-white  
 (511) 31

(260) AM 2024 123483 A  
 (210) AM 123483  
 (220) 2023 06 23  
 (731) LTD "Agrostyle and Winemaking"  
 Kacharava St. 95, Tbilisi, Georgia  
 (540)

**სამარადო  
 SAMARADO  
 САМАРАДО**

(591) Black-white  
 (531) 27.05.01; 28.05; 28.19  
 (511) 32, 33

(260) AM 2024 123494 A  
 (210) AM 123494  
 (220) 2023 06 26  
 (731) LTD "Inosan Bioscience and Research  
 Georgia"  
 Isani St. 1, 0103, Isani District, Tbilisi, Georgia  
 (540)





(591) 00A9AD turquoise, FFFFFFF white,  
FBAD46 orange  
(531) 26.04.02; 26.04.05; 26.04.22; 26.04.24;  
27.05.24; 28.05; 28.19; 29.01.13  
(511) 5

(260) AM 2024 123496 A  
(210) AM 123496  
(220) 2023 06 26  
(731) Price Costco International Inc.  
999 Lake Drive, Issaquah, Washington, 98027,  
USA  
(740) Tamar Kochlamazashvili  
(540)

**COSTCO**

(591) Black-white  
(511) 35

(260) AM 2024 123500 A  
(210) AM 123500  
(220) 2023 06 27  
(731) LTD "Taste of India"  
Vill. Dvabzu, Ozurgeti Region, Georgia  
(540)



(591) Bordeaux, black, golden, white  
(531) 13.01.11; 25.01.25; 27.05.01; 27.05.11;  
27.05.17; 29.01.13  
(511) 30, 35, 43

(260) AM 2024 123507 A  
(210) AM 123507  
(220) 2023 06 28  
(731) Yiwu WETELL Hardware Tools Co., Ltd.  
Shop No. 14201, Market 2, International Trade  
City, People's Republic of China Commodity  
City, Futian Street, Yiwu, Zhejiang, 322000,  
People's Republic of China  
(740) Giorgi Kartvelishvili  
(540)

**WETELL**

(591) Black-white  
(531) 27.05.01; 27.05.17  
(511) 8

(260) AM 2024 123576 A  
(210) AM 123576  
(220) 2023 07 01  
(731) Mitsubishi Jidosha Kogyo Kabushiki Kaisha  
1-21, Shibaura 3-Chome, Minato-Ku, Tokyo  
108-8410, Japan  
(740) Pavle Meipariani  
(540)

**ATHLETE**

(591) Black-white  
(511) 12

(260) AM 2024 123588 A  
(210) AM 123588  
(220) 2023 07 04  
(731) LTD "Nutrimax"  
Levan Ghoghoberidze St. 67B, 0165, Krtsanisi  
District, Tbilisi, Georgia  
(740) Giorgi Kartvelishvili  
(540)

**FRANKY** 

(591) Red, white  
(531) 03.01.08; 03.01.16; 26.04.15; 27.05.02;  
27.05.17; 29.01.12  
(511) 31

(260) AM 2024 123590 A  
(210) AM 123590  
(220) 2023 07 05  
(731) Giorgi Kikabidze  
Ilia Chavchavadze Av. 54A, 0179, Tbilisi,  
Georgia  
(740) Giorgi Taktakishvili  
(540)

**Parliament Tea**

(591) Black-white  
(511) 30, 35

(260) AM 2024 123601 A  
(210) AM 123601  
(220) 2023 07 06  
(731) LTD "Aisi"  
Varketili 3, I m/r, bld. 28, ap. 26, 0163,  
Isani-Samgori District, Tbilisi, Georgia  
(540)



(591) Brown, pink, black, lilac  
 (531) 03.01.01; 03.01.02; 03.01.16; 16.03.13  
 (511) 1, 3, 4, 5, 9, 12, 35, 38, 39

(260) AM 2024 123608 A  
 (210) AM 123608  
 (220) 2023 07 10  
 (731) IDS Borjomi Beverages Co.N.V.  
 Pareraweg N45, Curaçao  
 (740) Giorgi Jokharidze  
 (540)



(591) Sky-blue, green, intensive green, white, red  
 (531) 03.04.07; 06.01.02; 06.19.05; 07.01.01;  
 07.05.15; 29.01.15  
 (511) 32, 35

(260) AM 2024 123659 A  
 (210) AM 123659  
 (220) 2023 07 13  
 (731) Shalva Shalibashvili  
 Iliа Chavchavadze Av. 41, ap. 22, 0179, Tbilisi,  
 Georgia  
 (740) Giorgi Taktakishvili  
 (540)

## MANGUS

(591) Black-white  
 (511) 34

(260) AM 2024 123660 A  
 (210) AM 123660  
 (220) 2023 07 13  
 (731) Shalva Shalibashvili  
 Iliа Chavchavadze Av. 41, ap. 22, 0179, Tbilisi,  
 Georgia  
 (740) Giorgi Taktakishvili  
 (540)

## MANGUST

(591) Black-white  
 (511) 34

(260) AM 2024 123872 A  
 (210) AM 123872  
 (220) 2023 07 14  
 (731) LLC "Welfar Geo"  
 Aleksandre Kazbegi Av. 34-34, 0177,  
 Vake-Saburtalo District, Tbilisi, Georgia  
 (540)

## ლემოქსოლი

(591) Black-white  
 (511) 5

(260) AM 2024 123873 A  
 (210) AM 123873  
 (220) 2023 07 14  
 (731) LLC "Welfar Geo"  
 Aleksandre Kazbegi Av. 34-34, 0177,  
 Vake-Saburtalo District, Tbilisi, Georgia  
 (540)

## კარტანი

(591) Black-white  
 (511) 5

(260) AM 2024 123874 A  
 (210) AM 123874  
 (220) 2023 07 14  
 (731) LLC "Welfar Geo"  
 Aleksandre Kazbegi Av. 34-34, 0177,  
 Vake-Saburtalo District, Tbilisi, Georgia  
 (540)

## ადეპი

(591) Black-white  
 (511) 5

(260) AM 2024 123875 A  
 (210) AM 123875  
 (220) 2023 07 14  
 (731) LLC "Welfar Geo"  
 Aleksandre Kazbegi Av. 34-34, 0177,  
 Vake-Saburtalo District, Tbilisi, Georgia  
 (540)

## აგლინოქსი

(591) Black-white  
 (511) 5

(260) AM 2024 123876 A  
 (210) AM 123876  
 (220) 2023 07 14  
 (731) LLC "Welfar Geo"  
 Aleksandre Kazbegi Av. 34-34, 0177,  
 Vake-Saburtalo District, Tbilisi, Georgia  
 (540)

## დემოტონი-T

(591) Black-white  
 (511) 5

(260) AM 2024 123878 A  
 (210) AM 123878  
 (220) 2023 07 14  
 (731) LLC "Welfar Geo"

Aleksandre Kazbegi Av. 34-34, 0177,  
Vake-Saburtalo District, Tbilisi, Georgia  
(540)

**დემოტონი-დ**

(591) Black-white  
(511) 5

(260) AM 2024 123879 A  
(210) AM 123879  
(220) 2023 07 14  
(731) LLC "Welfar Geo"  
Aleksandre Kazbegi Av. 34-34, 0177,  
Vake-Saburtalo District, Tbilisi, Georgia  
(540)

**ეფზაკორტი**

(591) Black-white  
(511) 5

(260) AM 2024 123880 A  
(210) AM 123880  
(220) 2023 07 14  
(731) LLC "Welfar Geo"  
Aleksandre Kazbegi Av. 34-34, 0177,  
Vake-Saburtalo District, Tbilisi, Georgia  
(540)

**მორესერკო**

(591) Black-white  
(511) 5

(260) AM 2024 123910 A  
(210) AM 123910  
(220) 2023 07 19  
(731) LLC "C Corporation22"  
Cosmonauts Bank 49, ap. 160, 0192, Didube  
District, Tbilisi, Georgia  
(740) Zurab Bezhashvili;  
Lia Shikhiashvili;  
Ioane Iarajuli  
(540)



(591) Red, white, black  
(531) 26.01.04; 26.01.18; 26.01.20; 26.01.24;  
27.05.21; 27.05.24; 29.01.13  
(511) 38, 41

(260) AM 2024 123911 A  
(210) AM 123911  
(220) 2023 07 19  
(731) LLC "C Corporation22"  
Cosmonauts Bank 49, ap. 160, 0192, Didube  
District, Tbilisi, Georgia  
(740) Zurab Bezhashvili;  
Lia Shikhiashvili;  
Ioane Iarajuli  
(540)



(591) Black-white, red  
(531) 26.01.04; 26.01.18; 26.01.24; 27.05.01;  
27.05.21; 27.05.24; 29.01.13  
(511) 38, 41

(260) AM 2024 123932 A  
(210) AM 123932  
(220) 2023 07 21  
(731) Chongqing Changan Automobile Co., Ltd.  
260 Jianxin East Road, Jiangbei District,  
Chongqing, People's Republic of China  
(740) Shalva Gvaramadze  
(540)



(591) Black-white, grey  
(531) 26.03.01; 26.03.03; 26.03.04; 26.03.05;  
26.15.07  
(511) 12

(260) AM 2024 123933 A  
(210) AM 123933  
(220) 2023 07 21  
(731) Chongqing Changan Automobile Co., Ltd.  
260 Jianxin East Road, Jiangbei District,  
Chongqing, People's Republic of China  
(740) Shalva Gvaramadze  
(540)

**DEEPAL**

(591) White, grey  
(531) 27.05.01  
(511) 12

(260) AM 2024 123934 A  
 (210) AM 123934  
 (220) 2023 07 21  
 (731) Chongqing Changan Automobile Co., Ltd.  
 260 Jianxin East Road, Jiangbei District,  
 Chongqing, People's Republic of China  
 (740) Shalva Gvaramadze  
 (540)



(591) Black-white  
 (531) 24.11.25; 26.04.04; 26.04.06; 26.11.02;  
 26.11.06; 26.11.12; 26.11.25  
 (511) 12

(260) AM 2024 123935 A  
 (210) AM 123935  
 (220) 2023 07 21  
 (731) Chongqing Changan Automobile Co., Ltd.  
 260 Jianxin East Road, Jiangbei District,  
 Chongqing, People's Republic of China  
 (740) Shalva Gvaramadze  
 (540)



(591) Brown, silver, white  
 (531) 24.11.25; 26.04.04; 26.04.06; 26.11.02;  
 26.11.06; 26.11.12  
 (511) 12

(260) AM 2024 124004 A  
 (210) AM 124004  
 (220) 2023 07 22  
 (731) Regeneron Pharmaceuticals Inc.  
 777 Old Saw Mill River Road, Tarrytown,  
 New York 10591, USA  
 (740) Giorgi Kartvelishvili  
 (540)

**VEOPOZ**

(591) Black-white  
 (511) 5

(260) AM 2024 124005 A  
 (210) AM 124005  
 (220) 2023 07 22  
 (731) Regeneron Pharmaceuticals Inc.  
 777 Old Saw Mill River Road, Tarrytown,  
 New York 10591, USA  
 (740) Giorgi Kartvelishvili

(540)  
**CEEFYVY**  
 (591) Black-white  
 (511) 5

(260) AM 2024 124006 A  
 (210) AM 124006  
 (220) 2023 07 22  
 (731) Regeneron Pharmaceuticals Inc.  
 777 Old Saw Mill River Road, Tarrytown,  
 New York 10591, USA  
 (740) Giorgi Kartvelishvili  
 (540)

**REGENERON**

(591) Black-white  
 (511) 5, 31, 40, 42, 44

(260) AM 2024 124010 A  
 (210) AM 124010  
 (220) 2023 07 24  
 (731) LTD "Aversi-Pharma"  
 Davit Aghmashenebeli Av. 148, 0112, Tbilisi,  
 Georgia  
 (540)

**ორციდოკო**  
**Орцидок**  
**Orcidoc**

(591) Black-white  
 (511) 5

(260) AM 2024 124011 A  
 (210) AM 124011  
 (220) 2023 07 24  
 (731) LTD "Aversi-Pharma"  
 Davit Aghmashenebeli Av. 148, 0112, Tbilisi,  
 Georgia  
 (540)

**ციპროსელი**  
**Ципросел**  
**Ciprocell**

(591) Black-white  
 (511) 5

(260) AM 2024 124012 A  
 (210) AM 124012  
 (220) 2023 07 24  
 (731) LTD "Aversi-Pharma"  
 Davit Aghmashenebeli Av. 148, 0112, Tbilisi,  
 Georgia

(540)

**ფოქსიბეტი**  
**Фоксибет**  
**Foxibet**

(591) Black-white  
(511) 5

(260) AM 2024 124013 A

(210) AM 124013

(220) 2023 07 24

(731) LTD "Aversi-Pharma"

Davit Aghmashenebeli Av. 148, 0112, Tbilisi,  
Georgia

(540)

**დაფლოზინი**  
**Дафлозин**  
**Daflozin**

(591) Black-white  
(511) 5

(260) AM 2024 124014 A

(210) AM 124014

(220) 2023 07 24

(731) LTD "Aversi-Pharma"

Davit Aghmashenebeli Av. 148, 0112, Tbilisi,  
Georgia

(540)

**ნანოპაკი**  
**Нанопак**  
**Напорас**

(591) Black-white  
(511) 5

(260) AM 2024 124015 A

(210) AM 124015

(220) 2023 07 24

(731) LTD "Aversi-Pharma"

Davit Aghmashenebeli Av. 148, 0112, Tbilisi,  
Georgia

(540)

**კანცინოლი**  
**Канцинол**  
**Cancinol**

(591) Black-white  
(511) 5

(260) AM 2024 124026 A

(210) AM 124026

(220) 2023 07 25

(731) LTD "Udabno"

Merab Kostava St. 14, 0108, Tbilisi, Georgia

(540)

**udabno**   
REGENERATIVE FARMING

(591) Black-white

(531) 24.17.03; 26.01.16; 27.05.10

(511) 29, 30, 31, 32, 33, 35, 41, 43

(260) AM 2024 124039 A

(210) AM 124039

(220) 2023 07 26

(731) LTD "Fierna"

M. Toidze St. 13, Tbilisi, Georgia

(740) Giorgi Taktakishvili

(540)



(591) White, blue, sky-blue

(531) 01.15.05; 26.01.04; 26.01.13; 26.04.10;  
29.01.12

(511) 1

(260) AM 2024 124040 A

(210) AM 124040

(220) 2023 07 26

(731) LTD "Fierna"

M. Toidze St. 13, Tbilisi, Georgia

(740) Giorgi Taktakishvili

(540)



(591) White, sky-blue, green, blue, brown, black

(531) 01.15.11; 06.19.05; 06.19.07; 29.01.15

(511) 5

(260) AM 2024 124045 A  
 (210) AM 124045  
 (220) 2023 07 26  
 (310) 018859405  
 (320) 2023 04 06  
 (330) UIPO  
 (731) BuzzBallz, LLC (DBA, Southern Champion)  
 2114 McDaniel Drive, Carrollton, Texas  
 75006, USA  
 (740) Tamaz Shilakadze  
 (540)

**PARTYBALLZ**

(591) Black-white  
 (511) 32, 33

(260) AM 2024 124047 A  
 (210) AM 124047  
 (220) 2023 07 26  
 (731) Aleksandr Anatolevich Smirnov  
 119121, Smolenskaya-Sennaya pl., d. 27,  
 Str. 1A, kv. 74, Moscow, Russian Federation  
 (540)

**ДАНА**

(591) Black-white  
 (531) 28.05  
 (511) 3, 5

(260) AM 2024 124126 A  
 (210) AM 124126  
 (220) 2023 07 31  
 (731) Enriko Beridze  
 G. Tsitsishvili st. 18, Tbilisi, Georgia  
 (740) Salome Jeladze  
 (540)

**MARICOSTA**  
**მარკოსტა**

(591) Black-white  
 (511) 35, 43

(260) AM 2024 124132 A  
 (210) AM 124132  
 (220) 2023 07 31  
 (731) Zhejiang Leapmotor Technology Co., Ltd.  
 1st Floor, No.451, Wulianwang Street,  
 Binjiang District, Hangzhou, Zhejiang  
 Province, People's Republic of China  
 (740) Liliana Darakhvelidze  
 (540)



(591) Black-white  
 (531) 26.05.01; 27.01.01; 27.01.04  
 (511) 9

(260) AM 2024 124133 A  
 (210) AM 124133  
 (220) 2023 07 31  
 (731) Zhejiang Leapmotor Technology Co., Ltd.  
 1st Floor, No.451, Wulianwang Street,  
 Binjiang District, Hangzhou, Zhejiang  
 Province, People's Republic of China  
 (740) Liliana Darakhvelidze  
 (540)



(591) Black-white  
 (531) 26.05.01; 26.13.25; 27.01.01; 27.01.04  
 (511) 12

(260) AM 2024 124135 A  
 (210) AM 124135  
 (220) 2023 07 31  
 (731) Zhejiang Leapmotor Technology Co., Ltd.  
 1st Floor, No.451, Wulianwang Street,  
 Binjiang District, Hangzhou, Zhejiang  
 Province, People's Republic of China  
 (740) Liliana Darakhvelidze  
 (540)

**LEAPMOTOR**

(591) Black-white  
 (531) 27.05.01  
 (511) 9

(260) AM 2024 124136 A  
 (210) AM 124136  
 (220) 2023 07 31  
 (731) Zhejiang Leapmotor Technology Co., Ltd.  
 1st Floor, No.451, Wulianwang Street,  
 Binjiang District, Hangzhou, Zhejiang  
 Province, People's Republic of China  
 (740) Liliana Darakhvelidze  
 (540)

**LEAPMOTOR**

(591) Black-white  
 (531) 27.05.01  
 (511) 12

(260) AM 2024 124137 A  
 (210) AM 124137  
 (220) 2023 07 31  
 (731) Zhejiang Leapmotor Technology Co., Ltd.  
 1st Floor, No.451, Wulianwang Street,  
 Binjiang District, Hangzhou, Zhejiang  
 Province, People's Republic of China  
 (740) Liliana Darakhvelidze  
 (540)

**LEAPMOTOR**

(591) Black-white  
 (531) 27.05.01  
 (511) 37

(260) AM 2024 124138 A  
 (210) AM 124138  
 (220) 2023 07 31  
 (731) Zhejiang Leapmotor Technology Co., Ltd.  
 1st Floor, No.451, Wulianwang Street,  
 Binjiang District, Hangzhou, Zhejiang  
 Province, People's Republic of China  
 (740) Liliana Darakhvelidze  
 (540)



(591) Black-white  
 (531) 26.05.01; 26.13.25; 27.01.01; 27.01.04  
 (511) 37

(260) AM 2024 124155 A  
 (210) AM 124155  
 (220) 2023 08 02  
 (731) LTD "Rooms hotels Lab"  
 Kostava St. 14, Mtatsminda District,  
 Tbilisi, Georgia  
 (740) Giorgi Taktakishvili  
 (540)

**Supra**

(591) Black-white  
 (511) 41

(260) AM 2024 124156 A  
 (210) AM 124156  
 (220) 2023 08 03  
 (731) LTD "Matanat"  
 Saburtalo St. 38, 0160, Tbilisi, Georgia  
 (740) Kakhaber Tsertsvadze  
 (540)

**FASKER**

(591) ED5A5A skarlet, black, white  
 (531) 27.05.01; 27.05.17; 29.01.01  
 (511) 2, 4, 19, 39

(260) AM 2024 124157 A  
 (210) AM 124157  
 (220) 2023 08 03  
 (731) LTD "Matanat"  
 Saburtalo St. 38, 0160, Tbilisi, Georgia  
 (740) Kakhaber Tsertsvadze  
 (540)

**inovex**

(591) 80A6F7 sky-blue, white  
 (531) 27.05.01; 29.01.04  
 (511) 2, 17, 19, 35, 37, 39

(260) AM 2024 124167 A  
 (210) AM 124167  
 (220) 2023 08 03  
 (731) Goldwind Science & Technology Co., Ltd.  
 No. 107 Shanghai Road, Economic &  
 Technological Development Zone, Urumqi,  
 Xinjiang 830026, People's Republic of China  
 (740) Shalva Gvaramadze  
 (540)

**Goldwind**

(591) Black-white  
 (531) 27.05.01  
 (511) 7, 42

(260) AM 2024 124247 A  
 (210) AM 124247  
 (220) 2023 08 10  
 (731) LLC "Gametech"  
 Adam Mickiewicz St. 29B, Tbilisi, Georgia  
 (740) Nino Svanidze  
 (540)

**Aspire to Inspire**

(591) Black-white  
 (531) 27.05.01  
 (511) 42

---

**REGISTERED TRADEMARKS**

(111) M 2024 37847 R  
(151) 2024 02 05  
(181) 2034 02 05  
(260) AM 2023 122206 A  
(220) 2023 03 27

(732) Balraj Bidhuri  
B32, 2nd floor, Pamposh Enclave Greater  
Kailash-1, New Delhi, India

---

(111) M 2024 37848 R  
(151) 2024 02 05  
(181) 2034 02 05  
(260) AM 2022 118760 A  
(220) 2022 07 28

(732) LLC "Borjomi Products"  
Gamarjveba St., 1200, Borjomi, Georgia

---

(111) M 2024 37849 R  
(151) 2024 02 05  
(181) 2034 02 05  
(260) AM 2022 120848 A  
(220) 2022 12 21

(732) Western Union Holdings Inc.  
7001 East Belleview Avenue, Denver, Colorado  
80237, USA

---

(111) M 2024 37850 R  
(151) 2024 02 05  
(181) 2034 02 05  
(260) AM 2023 121050 A  
(220) 2023 01 04

(732) Oy Karl Fazer AB  
Fazerintie 6, 01230 Vantaa, Finland

---

(111) M 2024 37851 R  
(151) 2024 02 05  
(181) 2034 02 05  
(260) AM 2023 121126 A  
(220) 2023 01 10

(732) Oy Karl Fazer AB  
Fazerintie 6, 01230 Vantaa, Finland

---

(111) M 2024 37852 R  
(151) 2024 02 05  
(181) 2034 02 05  
(260) AM 2023 121246 A  
(220) 2023 01 20

(732) National Paints Holdings Ltd.  
Dubai International Financial Centre/  
Gate Village, Bld. 4/ Level 3/ Unit 5,  
Dubai, United Arab Emirates

---

(111) M 2024 37853 R  
(151) 2024 02 05  
(181) 2034 02 05  
(260) AM 2023 121247 A  
(220) 2023 01 20

(732) National Paints Holdings Ltd.  
Dubai International Financial Centre/  
Gate Village, Bld. 4/ Level 3/ Unit 5,  
Dubai, United Arab Emirates

---

(111) M 2024 37854 R  
(151) 2024 02 05  
(181) 2034 02 05  
(260) AM 2023 121414 A  
(220) 2023 01 30

(732) Western Union Holdings Inc.  
7001 East Belleview Avenue, Denver, Colorado  
80237, USA

---

(111) M 2024 37855 R  
(151) 2024 02 05  
(181) 2034 02 05  
(260) AM 2023 121437 A  
(220) 2023 02 02

(732) Ana Gorgadze  
Giorgi Brtskinvale St. 177, Batumi, Georgia

---

(111) M 2024 37856 R  
(151) 2024 02 05  
(181) 2034 02 05  
(260) AM 2023 121438 A  
(220) 2023 02 02

(732) LTD "Impexpharm"  
Giorgi Saakadze II Exit 17, 0160, Tbilisi, Georgia

---

(111) M 2024 37857 R  
(151) 2024 02 05  
(181) 2034 02 05  
(260) AM 2023 121517 A  
(220) 2023 02 06

(732) LLC "Artonomia"  
Giorgi Mirotadze St. 10a, ap. 1, 0171, Tbilisi,  
Georgia

---

(111) M 2024 37858 R  
(151) 2024 02 05  
(181) 2034 02 05  
(260) AM 2023 121519 A  
(220) 2023 02 06

(732) Plonq D M C C  
Office 508, Fortune Executive Tower,

---



Cluster T, Jumeirah Lakes Towers, Dubai,  
United Arab Emirates

(111) M 2024 37859 R  
(151) 2024 02 05  
(181) 2034 02 05  
(260) AM 2023 121522 A  
(220) 2023 02 07  
(732) Pfizer Inc.  
66 Hudson Boulevard East, New York,  
N.Y. 10001-2192, USA

(111) M 2024 37860 R  
(151) 2024 02 05  
(181) 2034 02 05  
(260) AM 2023 121634 A  
(220) 2023 02 13  
(732) Pfizer Inc.  
66 Hudson Boulevard East, New York,  
N.Y. 10001-2192, USA

(111) M 2024 37861 R  
(151) 2024 02 05  
(181) 2034 02 05  
(260) AM 2023 121648 A  
(220) 2023 02 14  
(732) LTD "Tiflisski Vinni Pogreb"  
Iumashev St. 27, 0198, Tbilisi, Georgia

(111) M 2024 37862 R  
(151) 2024 02 05  
(181) 2034 02 05  
(260) AM 2023 121672 A  
(220) 2023 02 16  
(732) Foshan Boyuan Electronics Co., Ltd.  
4th Floor, No. 9 Hedong Central Road, Yanbu,  
Dali Town, Nanhai District, Foshan City,  
Guangdong Province, China

(111) M 2024 37863 R  
(151) 2024 02 05  
(181) 2034 02 05  
(260) AM 2023 121737 A  
(220) 2023 02 20  
(732) LTD "Biography Living"  
Merab Kostava St. 46, 0179, Tbilisi, Georgia

(111) M 2024 37864 R  
(151) 2024 02 05  
(181) 2034 02 05  
(260) AM 2023 121738 A  
(220) 2023 02 20  
(732) LTD "Biography Living"

Merab Kostava St. 46, 0179, Tbilisi, Georgia

(111) M 2024 37865 R  
(151) 2024 02 05  
(181) 2034 02 05  
(260) AM 2023 121740 A  
(220) 2023 02 20  
(732) LTD "Biography Living"  
Merab Kostava St. 46, 0179, Tbilisi, Georgia

(111) M 2024 37866 R  
(151) 2024 02 05  
(181) 2034 02 05  
(260) AM 2023 121745 A  
(220) 2023 02 21  
(732) Kaeser Kompressoren SE  
Carl-Kaeser-Str. 26, 96450 Coburg, Germany;  
Olan-Haushaltsgeräte e. K.  
Eichborndamm 277, 13437 Berlin, Germany

(111) M 2024 37867 R  
(151) 2024 02 05  
(181) 2034 02 05  
(260) AM 2023 121746 A  
(220) 2023 02 21  
(732) Kaeser Kompressoren SE  
Carl-Kaeser-Str. 26, 96450 Coburg, Germany;  
Olan-Haushaltsgeräte e. K.  
Eichborndamm 277, 13437 Berlin, Germany

(111) M 2024 37868 R  
(151) 2024 02 05  
(181) 2034 02 05  
(260) AM 2023 121747 A  
(220) 2023 02 21  
(732) Kaeser Kompressoren SE  
Carl-Kaeser-Str. 26, 96450 Coburg, Germany;  
Olan-Haushaltsgeräte e. K.  
Eichborndamm 277, 13437 Berlin, Germany

(111) M 2024 37869 R  
(151) 2024 02 05  
(181) 2034 02 05  
(260) AM 2023 121760 A  
(220) 2023 02 22  
(732) LLC "Lavprod"  
Vn.Ter.G. Municipal District Altufevsky,  
Altufevskoe Shosse 48, Room 1, Floor/Room  
3/1, Com./Office 2/307V, 127566, Moscow,  
Russian Federation

(111) M 2024 37870 R  
(151) 2024 02 05  
(181) 2034 02 05  
(260) AM 2023 121770 A  
(220) 2023 02 23  
(732) Enriko Beridze  
G. Tsitsishvili St. 18, Tbilisi, Georgia

---

(111) M 2024 37871 R  
(151) 2024 02 05  
(181) 2034 02 05  
(260) AM 2023 121922 A  
(220) 2023 03 06  
(732) LTD "Ariki"  
Chitadze St. 3a; Nyaghvari St. 4, Parking lot 13,  
Tbilisi, Georgia

---

(111) M 2024 37872 R  
(151) 2024 02 05  
(181) 2034 02 05  
(260) AM 2023 121863 A  
(220) 2023 03 02  
(732) Liana Saneblidze  
Sukhumi, Georgia;  
Jano Markhulia  
Tchuburkhinji, Gali Region, Georgia;  
Vladimer Mikelashvili  
Rustaveli St. 4, Surami, Khashuri, Georgia  
Shalva Kekutia;  
LEPL "Shota Rustaveli National Science  
Foundation of Georgia"  
M. Aleksidze St. 1, 0183, Tbilisi, Georgia;  
Shartava St. 45a, b. 16, 0160, Tbilisi, Georgia

---

(111) M 2024 37873 R  
(151) 2024 02 05  
(181) 2034 02 05  
(260) AM 2023 121856 A  
(220) 2023 02 28  
(732) Enriko Beridze  
G. Tsitsishvili St. 18, Tbilisi, Georgia

---

(111) M 2024 37874 R  
(151) 2024 02 05  
(181) 2034 02 05  
(260) AM 2023 121775 A  
(220) 2023 02 23  
(732) Giorgi Kikabidze  
Ilia Chavchavadze Av. 54a, 0179, Tbilisi,  
Georgia

---

(111) M 2024 37875 R  
(151) 2024 02 05  
(181) 2034 02 05  
(260) AM 2023 121773 A  
(220) 2023 02 23  
(732) Bayer Aktiengesellschaft  
Kaiser-Wilhelm-Allee, 51373 Leverkusen,  
Germany

---

(111) M 2024 37876 R  
(151) 2024 02 05  
(181) 2034 02 05  
(260) AM 2023 121924 A  
(220) 2023 03 06  
(732) LTD "Askaneli Winery & Distillery"  
Kakheti Highway N110a, Samgori  
District, 0198, Tbilisi, Georgia

---

(111) M 2024 37877 R  
(151) 2024 02 05  
(181) 2034 02 05  
(260) AM 2023 121929 A  
(220) 2023 03 07  
(732) LTD "Herbswisdom"  
Ilia Chavchavadze Av. 80, block B, ap. 29,  
0131, Vake District, Tbilisi, Georgia

---

(111) M 2024 37878 R  
(151) 2024 02 05  
(181) 2034 02 05  
(260) AM 2023 122039 A  
(220) 2023 03 15  
(732) Bloomden Bioceramics Co., Ltd  
No.702, 7rd Floor, 5th Building, Zhongdian  
Software Park, No.39, Jianshan Road,  
Changsha Hi-Tech Development Zone, HN,  
People's Republic of China

---

(111) M 2024 37879 R  
(151) 2024 02 05  
(181) 2034 02 05  
(260) AM 2023 122108 A  
(220) 2023 03 18  
(732) FA Trademarks Zarębska Spółka Jawna  
ul. Konna 40, 80-174 Opatów, Poland

---

(111) M 2024 37880 R  
(151) 2024 02 05  
(181) 2034 02 05  
(260) AM 2023 122109 A  
(220) 2023 03 18  
(732) FA Trademarks Zarębska Spółka Jawna  
ul. Konna 40, 80-174 Opatów, Poland

---

(111) M 2024 37881 R  
(151) 2024 02 12  
(181) 2034 02 12  
(260) AM 2023 121774 A  
(220) 2023 02 23  
(732) Sterling Perfumes Industries (L.L.C.)  
P.O. Box: 40769, Dubai, United Arab Emirates

---

(111) M 2024 37882 R  
(151) 2024 02 12  
(181) 2034 02 12  
(260) AM 2022 120240 A  
(220) 2022 11 08  
(732) Giorgi Khechuashvili  
Badri Shoshitaishvili Lane 6, ap. 9, Tbilisi,  
Georgia;  
Ekaterine Tskhadadze  
Davit Guramishvili Av. 1, ap. 10, Tbilisi,  
Georgia

---

(111) M 2024 37883 R  
(151) 2024 02 12  
(181) 2034 02 12  
(260) AM 2022 120957 A  
(220) 2022 12 29  
(732) Binance Technologies Limited  
6th Floor, South Bank House, Barrow Street,  
Dublin 4, Ireland

---

(111) M 2024 37884 R  
(151) 2024 02 12  
(181) 2034 02 12  
(260) AM 2022 120958 A  
(220) 2022 12 29  
(732) Binance Technologies Limited  
6th Floor, South Bank House, Barrow Street,  
Dublin 4, Ireland

---

(111) M 2024 37885 R  
(151) 2024 02 12  
(181) 2034 02 12  
(260) AM 2022 120960 A  
(220) 2022 12 29  
(732) Bifinity UAB (Lithuania)  
Lvivo g. 25-104, LT-09320 Vilnius, Lithuania

---

(111) M 2024 37886 R  
(151) 2024 02 12  
(181) 2034 02 12  
(260) AM 2022 120961 A  
(220) 2022 12 29  
(732) Bifinity UAB (Lithuania)  
Lvivo g. 25-104, LT-09320 Vilnius, Lithuania

---

(111) M 2024 37887 R  
(151) 2024 02 12  
(181) 2034 02 12  
(260) AM 2023 121417 A  
(220) 2023 01 30  
(732) LTD "Greenville"  
Grigol Lortkipanidze St. 13g, Samgori  
District, Tbilisi, Georgia

---

(111) M 2024 37888 R  
(151) 2024 02 12  
(181) 2034 02 12  
(260) AM 2022 120735 A  
(220) 2022 12 15  
(732) LTD "Orovela"  
Vill. Chabinan, 0910, Akhmeta Region, Georgia

---

(111) M 2024 37889 R  
(151) 2024 02 12  
(181) 2034 02 12  
(260) AM 2022 120133 A  
(220) 2022 10 31  
(732) XL Energy Marketing Sp. Z O.O.  
ul. Zlota 59, 00-120 Warszawa, Poland

---

(111) M 2024 37890 R  
(151) 2024 02 12  
(181) 2034 02 12  
(260) AM 2023 121937 A  
(220) 2023 03 09  
(732) LTD "Tyriponi Fruit"  
Erekle Tatishvili St. 1, Gori, Georgia

---

(111) M 2024 37891 R  
(151) 2024 02 12  
(181) 2034 02 12  
(260) AM 2023 122125 A  
(220) 2023 03 21  
(732) LTD "Weimar"  
Vazha-Pshavela Av., V qu., bld. 4, ap. 103,  
0186, Tbilisi, Georgia

---

(111) M 2024 37892 R  
(151) 2024 02 12  
(181) 2034 02 12  
(260) AM 2023 121903 A  
(220) 2023 03 06  
(732) Nicoventures Holdings Limited  
Globe House 1 Water Street, London, WC2R  
3LA, United Kingdom

---

(111) M 2024 37893 R  
 (151) 2024 02 12  
 (181) 2034 02 12  
 (260) AM 2023 122107 A  
 (220) 2023 03 18  
 (732) Schneider Electric IT Corporation  
 70 Mechanic Street, Foxboro, Massachusetts  
 02035, USA

---

(111) M 2024 37906 R  
 (151) 2024 02 19  
 (181) 2034 02 19  
 (260) AM 2022 120859 A  
 (220) 2022 12 22  
 (732) LTD "Besini Company"  
 Gamrekeli St. 19, Vake-Saburtalo District,  
 Tbilisi, Georgia

---

(111) M 2024 37894 R  
 (151) 2024 02 12  
 (181) 2034 02 12  
 (260) AM 2023 121524 A  
 (220) 2023 02 07  
 (732) Davit Shamiladze  
 Mehmed Abashidze St. 56, ap. 19, Batumi,  
 Georgia

---

(111) M 2024 37907 R  
 (151) 2024 02 19  
 (181) 2034 02 19  
 (260) AM 2022 120959 A  
 (220) 2022 12 29  
 (732) Binance Technologies Limited  
 6th Floor, South Bank House, Barrow Street,  
 Dublin 4, Ireland

---

(111) M 2024 37895 R  
 (151) 2024 02 12  
 (181) 2034 02 12  
 (260) AM 2023 121343 A  
 (220) 2023 01 25  
 (732) Mitsubishi Jidosha Kogyo Kabushiki Kaisha  
 1-21, Shibaura 3-chome, Minato-ku, Tokyo  
 108-8410, Japan

---

(111) M 2024 37908 R  
 (151) 2024 02 19  
 (181) 2034 02 19  
 (260) AM 2022 120435 A  
 (220) 2022 11 21  
 (732) Intel Corporation  
 2200 Mission College Boulevard, Santa Clara,  
 California 95052, USA

---

(111) M 2024 37896 R  
 (151) 2024 02 12  
 (181) 2034 02 12  
 (260) AM 2022 120511 A  
 (220) 2022 11 28  
 (732) Vyeronika Gamyieva  
 Metrologichna St. 113, Apartament 42, Kyiv,  
 Ukraine

---

(111) M 2024 37909 R  
 (151) 2024 02 19  
 (181) 2034 02 19  
 (260) AM 2022 120448 A  
 (220) 2022 11 24  
 (732) LTD "Fragma"  
 Guram Rcheulishvili St. 11, 0179,  
 Mtatsminda District, Tbilisi, Georgia

---

(111) M 2024 37897 R  
 (151) 2024 02 12  
 (181) 2034 02 12  
 (260) AM 2022 120510 A  
 (220) 2022 11 28  
 (732) Vyeronika Gamyieva  
 Metrologichna St. 113, Apartament 42, Kyiv,  
 Ukraine

---

(111) M 2024 37910 R  
 (151) 2024 02 19  
 (181) 2034 02 19  
 (260) AM 2023 122211 A  
 (220) 2023 03 27  
 (732) Vazir Pashaev  
 Vill. Mughanlo, 36th St. 10, Gardabani,  
 Georgia

---

(111) M 2024 37898 R  
 (151) 2024 02 12  
 (181) 2034 02 12  
 (260) AM 2023 121864 A  
 (220) 2023 03 02  
 (732) Retaj Hotels & Hospitality  
 Dafna, Diplomatic District, P.O. Box: 25556,  
 Doha, Qatar

---

(111) M 2024 37911 R  
 (151) 2024 02 19  
 (181) 2034 02 19  
 (260) AM 2022 120937 A  
 (220) 2022 12 26  
 (732) Geox S.p.A.  
 Via Feltrina Centro, 16, 31044 Biadene di  
 Montebelluna (TV), Italy

---

(111) M 2024 37912 R  
 (151) 2024 02 19  
 (181) 2034 02 19  
 (260) AM 2023 121906 A  
 (220) 2023 03 06  
 (732) Sanovel Ilac Sanayi Ve Ticaret A. S.  
 Istinye Mahallesi, Balabandere Caddesi No:14  
 TR-34460 Sariyer, Istanbul, Türkiye

(111) M 2024 37918 R  
 (151) 2024 02 19  
 (181) 2034 02 19  
 (260) AM 2022 121043 A  
 (220) 2022 12 30  
 (732) JSC "Stumari Group"  
 Vill. Tokhliauri, 13th street I Lane 9, Sagarejo  
 Municipality, Georgia

(111) M 2024 37913 R  
 (151) 2024 02 19  
 (181) 2034 02 19  
 (260) AM 2023 121919 A  
 (220) 2023 03 06  
 (732) Sanovel Ilac Sanayi Ve Ticaret A. S.  
 Istinye Mahallesi, Balabandere Caddesi No:14  
 TR-34460 Sariyer, Istanbul, Türkiye

(111) M 2024 37919 R  
 (151) 2024 02 19  
 (181) 2034 02 19  
 (260) AM 2022 121042 A  
 (220) 2022 12 30  
 (732) JSC "Stumari Group"  
 Vill. Tokhliauri, 13th street I Lane 9, Sagarejo  
 Municipality, Georgia

(111) M 2024 37914 R  
 (151) 2024 02 19  
 (181) 2034 02 19  
 (260) AM 2023 121908 A  
 (220) 2023 03 06  
 (732) Sanovel Ilac Sanayi Ve Ticaret A. S.  
 Istinye Mahallesi, Balabandere Caddesi No:14  
 TR-34460 Sariyer, Istanbul, Türkiye

(111) M 2024 37920 R  
 (151) 2024 02 19  
 (181) 2034 02 19  
 (260) AM 2023 121938 A  
 (220) 2023 03 09  
 (732) LTD "Tiriponi Fruit"  
 Erekle Tatishvili St. 1, Gori, Georgia

(111) M 2024 37915 R  
 (151) 2024 02 19  
 (181) 2034 02 19  
 (260) AM 2023 121918 A  
 (220) 2023 03 06  
 (732) Sanovel Ilac Sanayi Ve Ticaret A. S.  
 Istinye Mahallesi, Balabandere Caddesi No:14  
 TR-34460 Sariyer, Istanbul, Türkiye

(111) M 2024 37921 R  
 (151) 2024 02 19  
 (181) 2034 02 19  
 (260) AM 2023 121335 A  
 (220) 2023 01 25  
 (732) LTD "Seven Hills"  
 Grigol Lortkipanidze St. 154, Isani-Samgori  
 District, Tbilisi, Georgia

(111) M 2024 37916 R  
 (151) 2024 02 19  
 (181) 2034 02 19  
 (260) AM 2023 121657 A  
 (220) 2023 02 15  
 (732) Yibin Kaiyi Automobile Co., Ltd.  
 No 7, Section 4, West Section of North  
 Yangtze Road, Lingang Economic and  
 Technological Development Zone, Yibin City,  
 Sichuan Province, People's Republic of China

(111) M 2024 37922 R  
 (151) 2024 02 19  
 (181) 2034 02 19  
 (260) AM 2023 121633 A  
 (220) 2023 02 13  
 (732) Qsiniang Longbo Industrial Co., Ltd.  
 Room 602, 6th Floor, No. 531, Weixing Road,  
 Urumqi Economic and Technical Develop-  
 ment Zone, Xinjiang, People's Republic  
 of China

(111) M 2024 37917 R  
 (151) 2024 02 19  
 (181) 2034 02 19  
 (260) AM 2023 121651 A  
 (220) 2023 02 15  
 (732) RK Chrela 2017  
 Vill. Lasuriashi, Tsageri Region, Georgia

(111) M 2024 37923 R  
 (151) 2024 02 19  
 (181) 2034 02 19  
 (260) AM 2023 121739 A  
 (220) 2023 02 20  
 (732) LLC "Biograph Living"  
 Merab Kostava St. 46, 0179, Tbilisi, Georgia

(111) M 2024 37924 R  
(151) 2024 02 19  
(181) 2034 02 19  
(260) AM 2023 121734 A  
(220) 2023 02 20  
(732) Kseniia Olehivna Lozova  
Prosp. Yuvileiny, 75, kv. 82, Kharkiv, 61111,  
Ukraine

---

(111) M 2024 37925 R  
(151) 2024 02 19  
(181) 2034 02 19  
(260) AM 2023 121334 A  
(220) 2023 01 25  
(732) LTD "Seven Hills"  
Grigol Lortkipanidze St. 154, Isani-Samgori  
District, Tbilisi, Georgia

---

(111) M 2024 37926 R  
(151) 2024 02 19  
(181) 2034 02 19  
(260) AM 2023 121848 A  
(220) 2023 02 24  
(732) JSC "Gepha"  
Akaki Beliashvili St. 142, 0159, Tbilisi,  
Georgia

---

(111) M 2024 37927 R  
(151) 2024 02 19  
(181) 2034 02 19  
(260) AM 2023 121907 A  
(220) 2023 03 06  
(732) LLC "H Hookah"  
Khulo St. 23, 6010, Batumi, Georgia

---

(111) M 2024 37928 R  
(151) 2024 02 19  
(181) 2034 02 19  
(260) AM 2023 121245 A  
(220) 2023 01 19  
(732) LLC "Renover Georgia"  
P. Kavtaradze St., III Lane 5, ap. 37, 0186,  
Tbilisi, Georgia

---

(111) M 2024 37929 R  
(151) 2024 02 19  
(181) 2034 02 19  
(260) AM 2023 121916 A  
(220) 2023 03 06  
(732) Sanovel Ilac Sanayi Ve Ticaret A. S.  
Istinye Mahallesi, Balabandere Caddesi No:14  
TR-34460 Sariyer, Istanbul, Türkiye

---

(111) M 2024 37930 R  
(151) 2024 02 19  
(181) 2034 02 19  
(260) AM 2023 121920 A  
(220) 2023 03 06  
(732) Sanovel Ilac Sanayi Ve Ticaret A. S.  
Istinye Mahallesi, Balabandere Caddesi No:14  
TR-34460 Sariyer, Istanbul, Türkiye

---

(111) M 2024 37931 R  
(151) 2024 02 19  
(181) 2034 02 19  
(260) AM 2023 122223 A  
(220) 2023 03 30  
(732) M.D.V.F. Media Design Vital Fashion Ltd.  
Krinon, 16, Limassol, CY-3110, Cyprus

---

(111) M 2024 37932 R  
(151) 2024 02 19  
(181) 2034 02 19  
(260) AM 2023 122208 A  
(220) 2023 03 27  
(732) LTD "Park Gida"  
Vill. Khutsubani, 5th District St. 46a, 6200,  
Municipality of Kobuleti, Georgia

---

(111) M 2024 37933 R  
(151) 2024 02 19  
(181) 2034 02 19  
(260) AM 2022 121041 A  
(220) 2022 12 30  
(732) JSC "Stumari Group"  
Vill. Tokhliauri, 13th street I Lane 9, Sagarejo  
Municipality, Georgia

---

(111) M 2024 37934 R  
(151) 2024 02 19  
(181) 2034 02 19  
(260) AM 2023 122127 A  
(220) 2023 03 22  
(732) LLC "Maxtherm"  
Akaki Beliashvili St. 149, 0159, Didube  
District, Tbilisi, Georgia

---

## TRADEMARKS REGISTERED ACCORDING TO THE ACCELERATED PROCEDURE

The decision can be appealed at the Chamber of Appeal of Sakpatenti within 3 months from the publication.

(111) M 2024 37845 R

(151) 2024 02 05

(181) 2034 02 05

(210) AM 126568

(220) 2024 01 23

(732) LTD "Allmarket.ge"

Dimitri Kipiani St. 29, 0108, Mtatsminda  
District, Tbilisi, Georgia

(540)



(591) 666666 grey, D83D3C red, FFFFFFF white

(531) 18.01.19; 27.05.01; 27.05.10; 29.01.13

(511) 35

(111) M 2024 37846 R

(151) 2024 02 05

(181) 2034 02 05

(210) AM 126580

(220) 2024 01 25

(732) LTD "New Pharm Group"

Irodion Evdoshvili St. 18, Office Space 2,  
0154, Tbilisi, Georgia

(540)

სელიმაქსი

Selimax

Селимакс

(591) 000000 Black-white

(511) 5

(111) M 2024 37899 R

(151) 2024 02 12

(181) 2034 02 12

(210) AM 126583

(220) 2024 01 26

(732) LTD "Food Fix"

Akaki Tsereteli Av., bld. 13, ap. 49a, Tbilisi,  
Georgia

(540)



(591) Red, white, black

(531) 08.05.03; 25.03.01; 25.03.07; 27.01.12;

27.05.24; 29.01.13

(511) 29, 35

(111) M 2024 37900 R

(151) 2024 02 12

(181) 2034 02 12

(210) AM 126563

(220) 2024 01 23

(732) Kenan Sofiev

Vill. Karajala, 16<sup>th</sup> St. F7, 1329, Gardabani  
Region, Georgia

(540)



(591) 000000 black, FFFFFFF white, CBDB29  
yellow

(531) 26.04.02; 26.04.05; 26.04.22; 26.04.24;

26.11.12; 27.03.15; 27.05.02; 27.05.11;

27.05.24; 29.01.13

(511) 1

(111) M 2024 37901 R

(151) 2024 02 12

(181) 2034 02 12

(210) AM 126566

(220) 2024 01 23

(732) Kenan Sofiev

Vill. Karajala, 16<sup>th</sup> St. F7, 1329, Gardabani  
Region, Georgia

(540)



(591) FFFFFFF white, 020202 black

(531) 26.01.01; 26.01.03; 26.01.19; 27.05.01;

27.05.24

(511) 1

(111) M 2024 37902 R  
(151) 2024 02 19  
(181) 2034 02 19  
(210) AM 126731  
(220) 2024 01 30  
(732) LTD "Georgian Agroproduct"  
Mtskheta St. 20/Besik Burkiashvili St. 3,  
Entrance 1, floor 9, ap. 24, Tbilisi, Georgia  
(540)

**კეთილი და პატიოსანი,  
Kind & noble, Bon & Bien**

(591) Black-white  
(511) 29, 30, 32

---

(111) M 2024 37903 R  
(151) 2024 02 19  
(181) 2034 02 19  
(210) AM 126499  
(220) 2024 01 18  
(732) LTD "Beer Georgia"  
Tevdore Mghvdeli St. 55, Tbilisi, Georgia  
(740) Giorgi Taktakishvili  
(540)

(591) Golden, white, black  
(531) 01.01.05; 01.01.10; 05.07.02; 05.11.15;  
25.03.03; 26.01.02; 26.01.15; 26.01.18;  
26.01.22; 27.05.01; 27.05.22; 27.05.24; 28.19;  
29.01.12  
(526) GEORGIA  
(511) 35

---

(111) M 2024 37904 R  
(151) 2024 02 19  
(181) 2034 02 19  
(210) AM 126815  
(220) 2024 02 06  
(732) LTD "Daily"  
Varketili Farm Settlement, Akhmet Melashvili  
St. 2, Samgori District, Tbilisi, Georgia  
(540)

**დელი  
Daily**

(591) Black-white  
(511) 29, 30, 32, 35

---

(111) M 2024 37905 R  
(151) 2024 02 19  
(181) 2034 02 19  
(210) AM 126814  
(220) 2024 02 06  
(732) Erpen Plastik Sanayi Ve Ticaret A.Ş.  
2.Organize San. Böl.83226 Nolucad. No:13/15  
Sehidkamil, Gaziantep, Türkiye  
(740) Giorgi Sikharulidze  
(540)

**ERPEN**

(591) Red, white  
(531) 27.05.01; 27.05.17; 29.01.01  
(511) 19

---



## INTERNATIONAL TRADEMARKS FOR WHICH A DECISION ON GRANTING PROTECTIONS IS TAKEN

The decision can be appealed at the Chamber of Appeal of Sakpatenti within 3 months from the publication or at the Mtskheta District Court Administrative Cases Board (Address: №17, Samkhedro St., Mtskheta), within 1 month following the publication.

(260) AM 2024 113841 A\*

(800) 1534210

(151) 2020 04 29

(891) 2021 05 21

(731) Rillius Holding Limited

1 Iakovou Tompazi, VASHIOTIS BUSINESS CENTER, 1st floor, office 101, CY-3107  
Limassol, Cyprus

(540)

**PARI  
MATCH**

(591) Black, white

(531) 26.04.24; 27.05.08

(511)

35 – Advertising; business management; business administration; office functions; administration of consumer loyalty programs; administration of frequent flyer programs; administrative processing of purchase orders; administrative services for the relocation of businesses; advertising / publicity; advertising agency services / publicity agency services; advertising by mail order; production of advertising films; rental of advertising space; rental of advertising time on communication media; appointment reminder services [office functions]; appointment scheduling services [office functions]; auctioneering; bill-posting; rental of billboards [advertising boards]; book-keeping / accounting; advisory services for business management; business appraisals; business auditing; business efficiency expert services; business inquiries; business intermediary services relating to the matching of potential private investors with entrepreneurs needing funding; business investigations; business management and organization consultancy; business management assistance; business management consultancy; business management for freelance service providers; business management of hotels; business management of performing artists; business management of reimbursement programmes for others / business management of reimbursement programs for others; business management of sports people; business organization consultancy; business project management services for construction projects; business research; professional business consultancy; providing business information; providing business information via a web site; commercial administration of the licensing of the goods and services of others; commercial information agency services; commercial intermediation services; commercial or industrial management assistance; providing commercial and business contact information;

providing commercial information and advice for consumers in the choice of products and services; compilation of information into computer databases; compilation of statistics; compiling indexes of information for commercial or advertising purposes; computerized file management; consultancy regarding advertising communication strategies; consultancy regarding public relations communication strategies; cost price analysis; data search in computer files for others; demonstration of goods; development of advertising concepts; direct mail advertising; dissemination of advertising matter; distribution of samples; drawing up of statements of accounts; economic forecasting; employment agency services; organization of exhibitions for commercial or advertising purposes; organization of fashion shows for promotional purposes; import-export agency services; invoicing; layout services for advertising purposes; market studies; marketing research; modelling for advertising or sales promotion; negotiation and conclusion of commercial transactions for third parties; negotiation of business contracts for others; news clipping services; arranging newspaper subscriptions for others; office machines and equipment rental; online advertising on a computer network; provision of an online marketplace for buyers and sellers of goods and services; opinion polling; outdoor advertising; outsourced administrative management for companies; outsourcing services [business assistance]; pay per click advertising; payroll preparation; personnel management consultancy; personnel recruitment; photocopying services; rental of photocopying machines; presentation of goods on communication media, for retail purposes; price comparison services; procurement services for others [purchasing goods and services for other businesses]; psychological testing for the selection of personnel; public relations; publication of publicity texts; publicity material rental; radio advertising; registration of written communications and data; retail services for pharmaceutical, veterinary and sanitary preparations and medical supplies; rental of sales stands; sales promotion for others; scriptwriting for advertising purposes; search engine optimization for sales promotion / search engine optimisation for sales promotion; secretarial services; shop window dressing; shorthand; sponsorship search; arranging subscriptions to telecommunication services for others; systemization of information into computer databases; tax filing services; tax preparation; telemarketing services; telephone answering for unavailable subscribers; production of

teleshopping programmes / production of teleshop-  
ping programs; television advertising; organization of  
trade fairs; transcription of communications [office  
functions]; typing; updating and maintenance of data  
in computer databases; updating and maintenance of  
information in registries; updating of advertising ma-  
terial; rental of vending machines; web indexing for  
commercial or advertising purposes; web site traffic  
optimization / web site traffic optimisation; wholesale  
services for pharmaceutical, veterinary and sanitary  
preparations and medical supplies; word processing;  
writing of curriculum vitae for others / writing of re-  
sumes for others; writing of publicity texts.

41 – Education; providing of training; entertainment;  
sporting and cultural activities; academies [educati-  
on]; aikido instruction; amusement park services; pro-  
viding amusement arcade services; animal training;  
rental of artwork; rental of audio equipment; organi-  
zation of balls; arranging of beauty contests; boarding  
school education; booking of seats for shows; calli-  
graphy services; providing casino facilities [gam-  
bling]; cinema presentations / movie theatre presenta-  
tions; rental of cinematographic apparatus; club servi-  
ces [entertainment or education]; coaching [training];  
arranging and conducting of colloquiums; organizati-  
on of competitions [education or entertainment]; ar-  
ranging and conducting of concerts; arranging and  
conducting of conferences; arranging and conducting  
of congresses; correspondence courses; organization  
of cosplay entertainment events; cultural, educational  
or entertainment services provided by art galleries;  
disc jockey services; discotheque services; dubbing;  
educational examination; educational services provi-  
ded by schools; electronic desktop publishing; enter-  
tainer services; entertainment services; organization  
of exhibitions for cultural or educational purposes;  
organization of fashion shows for entertainment pur-  
poses; film directing, other than advertising films;  
film production, other than advertising films; provi-  
ding films, not downloadable, via video-on-demand  
services; conducting fitness classes; gambling servi-  
ces; game services provided online from a computer  
network; games equipment rental; providing golf faci-  
lities; conducting guided climbing tours; conducting  
guided tours; gymnastic instruction; health club servi-  
ces [health and fitness training]; holiday camp servi-  
ces [entertainment]; arranging and conducting of in-  
person educational forums; rental of indoor aquaria;  
providing information in the field of education; pro-  
viding information in the field of entertainment; pro-  
viding information relating to recreational activities;  
karaoke services; language interpreter services; layout  
services, other than for advertising purposes; lending  
library services; rental of lighting apparatus for the-  
atrical sets or television studios; organization of lot-  
teries; microfilming; mobile library services / book-  
mobile services; modelling for artists; rental of moti-  
on pictures; movie studio services; providing museum  
facilities [presentation, exhibitions]; music composi-

on services; production of music; news reporters ser-  
vices; nightclub services [entertainment]; nursery  
schools; online publication of electronic books and  
journals; providing online electronic publications, not  
downloadable; providing online music, not downloa-  
dable; providing online videos, not downloadable; or-  
chestra services; party planning [entertainment]; per-  
sonal trainer services [fitness training]; photographic  
reporting; photography; physical education; practical  
training [demonstration]; presentation of circus per-  
formances; presentation of live performances; presen-  
tation of variety shows; publication of books; publica-  
tion of texts, other than publicity texts; production of  
radio and television programmes; radio entertainment;  
rental of radio and television sets; recording studio  
services; providing recreation facilities; religious edu-  
cation; sado instruction [tea ceremony instruction];  
screenplay writing; scriptwriting, other than for adver-  
tising purposes; arranging and conducting of semi-  
nars; rental of show scenery; organization of shows  
[impresario services]; production of shows; sign lan-  
guage interpretation; rental of skin diving equipment;  
songwriting; rental of sound recordings; sport camp  
services; organization of sports competitions; provi-  
ding sports facilities; rental of sports equipment, ex-  
cept vehicles; rental of sports grounds; rental of stadi-  
um facilities; rental of stage scenery; subtitling; ar-  
ranging and conducting of symposiums; teaching / edu-  
cational services / instruction services; providing tele-  
vision programmes, not downloadable, via video-on-  
demand services / providing television programs, not  
downloadable, via video-on-demand services; televi-  
sion entertainment; rental of tennis courts; theatre pro-  
ductions; ticket agency services [entertainment]; ti-  
ming of sports events; toy rental; rental of training si-  
mulators; training services provided via simulators;  
translation; tutoring; rental of video cameras / rental  
of camcorders; rental of video cassette recorders; vi-  
deotape editing; rental of videotapes; videotaping; vo-  
cational guidance [education or training advice]; vo-  
cational retraining; arranging and conducting of work-  
shops [training]; writing of texts; zoological garden  
services.

(260) AM 2024 113843 A\*

(800) 1580872

(151) 2021 01 19

(891) 2021 05 21

(731) Rillius Holding Limited

1 Iakovou Tompazi, VASHIOTIS BUSINESS  
CENTER, 1st floor, office 101, CY-3107  
Limassol, Cyprus

(540)



(591) Yellow and black  
 (531) 26.04.09; 26.04.18; 27.05.01; 27.05.08;  
 29.01.12

(511)  
 35 – Web indexing for commercial or advertising purposes; business management of performing artists; business management of sports people; organization of exhibitions for commercial or advertising purposes; business intermediary services relating to the matching of potential private investors with entrepreneurs needing funding; business efficiency expert services; outsourcing services [business assistance]; sponsorship search; advertising / publicity; pay per click advertising; online advertising on a computer network; dissemination of advertising matter; systemization of information into computer databases; sales promotion for others; promotion of goods and services through sponsorship of sports events; negotiation and conclusion of commercial transactions for third parties; professional business consultancy.

41 – Academies [education]; arranging and conducting of conferences; arranging and conducting of in-person educational forums; arranging and conducting of seminars; electronic desktop publishing; providing user reviews for entertainment or cultural purposes; providing information in the field of education; providing information in the field of entertainment; providing information relating to recreational activities; providing online videos, not downloadable; providing online electronic publications, not downloadable; providing television programmes, not downloadable, via video-on-demand services / providing television programs, not downloadable, via video-on-demand services; providing films, not downloadable, via video-on-demand services; providing user rankings for entertainment or cultural purposes / providing user ratings for entertainment or cultural purposes; providing sports facilities; providing casino facilities [gambling]; booking of seats for shows; game services provided online from a computer network; organization of shows [impresario services]; organization of exhibitions for cultural or educational purposes; organization of lotteries; organization of sports competitions; providing amusement arcade services; club services [entertainment or education]; health club services [health and fitness training]; nightclub services [entertainment]; amusement park services; sport camp services; gambling services; conducting fitness classes; online publication of electronic books and journals; publication of books; publication of texts, other than publicity texts; entertainment services; production of shows; physical education.

(260) AM 2024 115698 A\*  
 (800) 1630588  
 (151) 2021 08 17  
 (891) 2021 08 17  
 (731) Rillius Holding Limited

1 Iakovou Tompazi, VASHIOTIS BUSINESS  
 CENTER, 1st floor, office 101, CY-3107  
 Limassol, Cyprus

(540)

## PARIMATCH

(591) Black, white  
 (531) 27.05.01  
 (511)

35 – Web indexing for commercial or advertising purposes; business management of performing artists; business management of sports people; organization of exhibitions for commercial or advertising purposes; business intermediary services relating to the matching of potential private investors with entrepreneurs needing funding; business efficiency expert services; outsourcing services [business assistance]; sponsorship search; advertising; pay per click advertising; online advertising on a computer network; dissemination of advertising matter; systemization of information into computer databases; sales promotion for others; promotion of goods and services through sponsorship of sports events; negotiation and conclusion of commercial transactions for third parties; professional business consultancy.

41 – Academies [education]; arranging and conducting of conferences; arranging and conducting of in-person educational forums; arranging and conducting of seminars; electronic desktop publishing; providing information in the field of education; providing information in the field of entertainment; providing information relating to recreational activities; providing online videos, not downloadable; providing online electronic publications, not downloadable; providing television programmes, not downloadable, via video-on-demand services; providing films, not downloadable, via video-on-demand services; providing user rankings for entertainment or cultural purposes / providing user ratings for entertainment or cultural purposes; providing sports facilities; providing casino facilities [gambling]; booking of seats for shows; game services provided online from a computer network; organization of shows [impresario services]; organization of exhibitions for cultural or educational purposes; organization of lotteries; organization of sports competitions; providing amusement arcade services; club services [entertainment or education]; health club services [health and fitness training]; nightclub services [entertainment]; amusement park services; sport camp services; gambling services; conducting fitness classes; online publication of electronic books and journals; publication of books; publication of texts, other than publicity texts; entertainment services; production of shows; physical education.

(260) AM 2024 120914 A  
 (800) 1703562  
 (151) 2022 07 14  
 (891) 2022 07 14  
 (731) Euro Games Technology Ltd.

4, "Maritsa" Str., "Vranya-Lozen-Triugulnika",  
BG-1151 Sofia, Bulgaria

(540)



(591) Red and white

(531) 26.01.03; 26.01.12; 26.01.20; 26.11.01;  
26.11.12; 27.05.10; 27.05.24; 29.01.12

(511)

9 – Operating computer software for main frame computers; monitors [computer hardware]; computer hardware; apparatus for recording images; monitors [computer programs]; games software; computer programs for recorded games; apparatus for recording, transmission or reproduction of sound or images; communications servers [computer hardware]; electronic components for gambling machines; computer application software featuring games and gaming; computer software for the administration of on-line games and gaming; computer hardware for games and gaming; hardware and software for gambling, gambling machines, gambling games on the Internet and via telecommunication network; computer operating system software; computer terminals; interactive terminals; multimedia terminals; electronic terminals for generating lottery tickets; interactive touch screen terminals; computer touchscreens; electronic display panels; liquid crystal display screens; digital signage display panels; multimedia software; multimedia apparatus and instruments; interactive multimedia software for playing games; computer screens; LCD large-screen displays; liquid crystal displays [LCDs] for home theatres; media streaming software; computer application software for streaming audio-visual media content via the internet; software; computer gaming software; computer software packages; computer operating system software; computer software, recorded; software drivers; virtual reality software; games software; entertainment software for computer games; computer programs for network management; electronic lottery tickets; computer software platforms; operating systems; interactive computer systems; operating system programs; computer game software for use with on-line interactive games.

28 – Gaming machines for gambling; chips for gambling; mah-jong; arcade games; gambling machines operating with coins, notes and cards; games; electronic games; parlor games; gaming chips; gaming tables; slot machines [gaming machines]; LCD game machines; slot machines and gaming devices; coin-operated amusement machines; roulette chips; poker chips; chips and dice [gaming equipment]; gaming equipment for casinos; roulette tables; gaming roulette wheels; casino games; automats and gambling machines; coin-operated amusement machines and/or electronic coin-operated amusement machines with or

without the possibility of gain; boxes for coin-operated amusement machines, slot machines and gaming machines; electronic or electrotechnical amusement machines and apparatus, gaming machines, coin-operated entertainment machines; housings for coin-operated amusement machines, gaming equipment, gaming machines, machines for gambling; electropneumatic and electrical gambling machines (slot machines); lottery games; electronic targets for games and sports.

37 – Plant construction; machinery installation, maintenance and repair; providing information relating to the installation of machinery; installation of computers; installation of audiovisual equipment; installation of hardware for computer systems; installation of computer hardware; computer hardware (Installation, maintenance and repair of -); consultancy relating to the installation, maintenance and repair of computer hardware; upgrading of computer hardware; repair of game machines and apparatus; installation, maintenance and repair of computer network and information technology equipment.

38 – Telecommunication services; computer communication and Internet access; broadcasting services; automatic transfer of digital data using telecommunications channels; audiovisual communication services; video communication services; video transmission via digital networks; remote transmission of audio signals by means of telecommunications; remote transmission of data by means of telecommunications; delivery of messages by electronic media; electronic communications services; communication services for the electronic transmission of data; electronic transmission and retransmission of sounds, images, documents, messages and data; message sending, receiving and forwarding; interactive communication services; interactive telecommunications services; interactive transmission of video over digital networks; cable transmission of sounds, images, signals and data; communication by electronic means; communications via multinational telecommunication networks; communications services; communications services for the exchange of data in electronic form; communication services provided electronically; advisory services relating to communications equipment; mobile media services in the nature of electronic transmission of entertainment media content; network transmission of sounds, images, signals and data; virtual chatrooms established via text messaging; providing electronic telecommunication connections; transmission of data, messages and information; transmission of sound and vision via satellite or interactive multimedia networks; computer-aided transmission of sound; transmission of sound via interactive multimedia networks; transmission of sound or visual recordings over networks; transmission of vision via interactive multimedia networks; transmission of information through video communication systems; transmission of information in

the audiovisual field; provision of communications facilities for the interchange of digital data; telecommunications services between computer networks; telecommunications services relating to electronic commerce; telecommunication of information (including web pages); electronic transmission of information (Services for the -); secured data, sound and image transmission services; inter-active video text services; video uploading services; photo uploading services; delivery of messages by audiovisual media; telematic data transmission and file transfer; digital transmission services for audio and video data; rental of telecommunication devices and equipment enabling connection to networks; rental of telecommunication equipment; provision of access to content, websites and portals; provision of access to data or documents stored electronically in central files for remote consultation; provision of access to electronic sites; providing access to multimedia content online; providing access to platforms on the Internet; providing access to gambling and gaming websites on the Internet; providing access to websites on the Internet or any other communications network; providing user access to portals on the Internet; providing user access to platforms on the Internet; provision of telecommunication access to video and audio content provided via an online video-on-demand service; provision of telecommunication access to video content provided via the Internet; electrical data transmission over a global remote data processing network, including the Internet; video-on-demand transmission services; sending and receiving of electronic messages; message sending via a website; computerised communication services; communications by computer terminals; computer intercommunication; communication by computer; on-line communication services; on-line transmission of electronic publications; transmission and distribution of data or audiovisual images via a global computer network or the Internet; transmission of data, audio, video and multimedia files; transmission of data, audio, video and multimedia files, including downloadable files and files streamed over a global computer network; data transmission and data broadcasting; transmission of data or audio visual images via a global computer network or the Internet; transmission of data and information by computer and electronic communication means; transmission of information on-line; transmission of multimedia content via the Internet; transmission of sound, picture and data signals; computer-aided transmission of messages and images; exchange of messages via computer transmission; distribution of data or audio visual images via a global computer network or the Internet; streaming audio and video material on the Internet; streaming of audio, visual and audiovisual material via a global computer network; streaming of data; Internet based telecommunication services; web conferencing services; video, audio and television streaming services; access to content, websites and portals; online messaging services;

broadcasting of audiovisual and multimedia content via the Internet.

41 – Gambling; services related to gambling; gaming services for entertainment purposes; casino, gaming and gambling services; training in the development of software systems; provision of gaming equipment for gambling halls; providing casino equipment [gambling]; gaming machine entertainment services; providing casino facilities [gambling]; providing halls with gaming machines; amusement arcade services; games equipment rental; rental of gaming machines; providing amusement arcade services; rental of gaming machines with images of fruits; editing or recording of sounds and images; sound recording and video entertainment services; hire of sound reproducing apparatus; provision of gaming equipment for casinos; providing of casino facilities; online gambling services; casino, gaming and gambling services; providing amusement arcade services, online casino and betting services provided via websites; lottery services; organization of lotteries; provision of games by means of a computer based system; online interactive entertainment; on-line casino services; online game services through mobile devices; providing online entertainment in the nature of game tournaments; providing on-line information in the field of computer gaming entertainment; sports betting services; online sports betting services.

42 – Computer software technical support services; troubleshooting of computer software problems; provision of technical support in the supervision of computing networks; provision of technical support in the operation of computing networks; technical support services relating to computer software and applications; technical supervision and inspection; monitoring of computer systems by remote access; machine condition monitoring; installation, repair and maintenance of computer software; design, maintenance and updating of computer software; installation, setting up and maintenance of computer software; design, maintenance, development and updating of computer software; installation and customisation of computer applications software; technical consultancy relating to the installation and maintenance of computer software; computer system monitoring services; design of graphic software systems; development of interactive multimedia software; design and development of computer hardware; advice relating to the design of computer hardware; advisory and information services relating to the design and development of computer hardware; design, development and testing of computer software and hardware, and in particular for gambling, casino games and betting; platform as a service [PaaS]; development of computer platforms; platforms for gaming as software as a service [SaaS]; development of computer systems; computer system design and development.

(260) AM 2024 120915 A  
 (800) 1703563  
 (151) 2022 07 14  
 (891) 2022 07 14  
 (731) Euro Games Technology Ltd.  
 4, "Maritsa" Str., "Vranya-Lozen-Triugulnika",  
 BG-1151 Sofia, Bulgaria  
 (540)



(591) Red and white  
 (531) 26.01.03; 26.01.12; 26.01.18; 26.01.20;  
 26.11.01; 26.11.12; 27.05.10; 27.05.24;  
 29.01.12

(511)  
 9 – Operating computer software for main frame computers; monitors [computer hardware]; computer hardware; apparatus for recording images; monitors [computer programs]; games software; computer programs for recorded games; apparatus for recording, transmission or reproduction of sound or images; communications servers [computer hardware]; electronic components for gambling machines; computer application software featuring games and gaming; computer software for the administration of on-line games and gaming; computer hardware for games and gaming; hardware and software for gambling, gambling machines, gambling games on the Internet and via telecommunication network; computer operating system software; computer terminals; interactive terminals; multimedia terminals; electronic terminals for generating lottery tickets; interactive touch screen terminals; computer touchscreens; electronic display panels; liquid crystal display screens; digital signage display panels; multimedia software; multimedia apparatus and instruments; interactive multimedia software for playing games; computer screens; LCD large-screen displays; liquid crystal displays [LCDs] for home theatres; media streaming software; computer application software for streaming audio-visual media content via the internet; software; computer gaming software; computer software packages; computer operating system software; computer software, recorded; software drivers; virtual reality software; games software; entertainment software for computer games; computer programs for network management; electronic lottery tickets; computer software platforms; operating systems; interactive computer systems; operating system programs; computer game software for use with on-line interactive games.

28 – Gaming machines for gambling; chips for gambling; mah-jong; arcade games; gambling machines operating with coins, notes and cards; games; electronic games; parlor games; gaming chips; gaming tables; slot machines [gaming machines]; LCD game ma-

chines; slot machines and gaming devices; coin-operated amusement machines; roulette chips; poker chips; chips and dice [gaming equipment]; gaming equipment for casinos; roulette tables; gaming roulette wheels; casino games; automats and gambling machines; coin-operated amusement machines and/or electronic coin-operated amusement machines with or without the possibility of gain; boxes for coin-operated amusement machines, slot machines and gaming machines; electronic or electrotechnical amusement machines and apparatus, gaming machines, coin-operated entertainment machines; housings for coin-operated amusement machines, gaming equipment, gaming machines, machines for gambling; electropneumatic and electrical gambling machines (slot machines); lottery games; electronic targets for games and sports.

37 – Plant construction; machinery installation, maintenance and repair; providing information relating to the installation of machinery; installation of computers; installation of audiovisual equipment; installation of hardware for computer systems; installation of computer hardware; computer hardware (Installation, maintenance and repair of -); consultancy relating to the installation, maintenance and repair of computer hardware; upgrading of computer hardware; repair of game machines and apparatus; installation, maintenance and repair of computer network and information technology equipment.

38 – Telecommunication services; computer communication and Internet access; broadcasting services; automatic transfer of digital data using telecommunications channels; audiovisual communication services; video communication services; video transmission via digital networks; remote transmission of audio signals by means of telecommunications; remote transmission of data by means of telecommunications; delivery of messages by electronic media; electronic communications services; communication services for the electronic transmission of data; electronic transmission and retransmission of sounds, images, documents, messages and data; message sending, receiving and forwarding; interactive communication services; interactive telecommunications services; interactive transmission of video over digital networks; cable transmission of sounds, images, signals and data; communication by electronic means; communications via multinational telecommunication networks; communications services; communications services for the exchange of data in electronic form; communication services provided electronically; advisory services relating to communications equipment; mobile media services in the nature of electronic transmission of entertainment media content; network transmission of sounds, images, signals and data; virtual chatrooms established via text messaging; providing electronic telecommunication connections; transmission of data, messages and information; transmission of sound and

vision via satellite or interactive multimedia networks; computer-aided transmission of sound; transmission of sound via interactive multimedia networks; transmission of sound or visual recordings over networks; transmission of vision via interactive multimedia networks; transmission of information through video communication systems; transmission of information in the audiovisual field; provision of communications facilities for the interchange of digital data; telecommunications services relating to electronic commerce; telecommunication of information (including web pages); electronic transmission of information (Services for the -); secured data, sound and image transmission services; inter-active video text services; video uploading services; photo uploading services; delivery of messages by audiovisual media; telematic data transmission and file transfer; digital transmission services for audio and video data; rental of telecommunication devices and equipment enabling connection to networks; rental of telecommunication equipment; provision of access to content, websites and portals; provision of access to data or documents stored electronically in central files for remote consultation; provision of access to electronic sites; providing access to multimedia content online; providing access to platforms on the Internet; providing access to gambling and gaming websites on the Internet; providing access to websites on the Internet or any other communications network; providing user access to portals on the Internet; providing user access to platforms on the Internet; provision of telecommunication access to video and audio content provided via an on-line video-on-demand service; provision of telecommunication access to video content provided via the Internet; electrical data transmission over a global remote data processing network, including the Internet; video-on-demand transmission services; sending and receiving of electronic messages; message sending via a website; computerised communication services; communications by computer terminals; computer inter-communication; communication by computer; on-line communication services; on-line transmission of electronic publications; transmission and distribution of data or audiovisual images via a global computer network or the Internet; transmission of data, audio, video and multimedia files; transmission of data, audio, video and multimedia files, including downloadable files and files streamed over a global computer network; data transmission and data broadcasting; transmission of data or audio visual images via a global computer network or the Internet; transmission of data and information by computer and electronic communication means; transmission of information on-line; transmission of multimedia content via the Internet; transmission of sound, picture and data signals; computer-aided transmission of messages and images; exchange of messages via computer transmission; distribution of data or audio visual images via a global

computer network or the Internet; streaming audio and video material on the Internet; streaming of audio, visual and audiovisual material via a global computer network; streaming of data; Internet based telecommunication services; web conferencing services; video, audio and television streaming services; access to content, websites and portals; online messaging services; broadcasting of audiovisual and multimedia content via the Internet.

41 – Gambling; services related to gambling; gaming services for entertainment purposes; casino, gaming and gambling services; training in the development of software systems; provision of gaming equipment for gambling halls; providing casino equipment [gambling]; gaming machine entertainment services; providing casino facilities [gambling]; providing halls with gaming machines; amusement arcade services; games equipment rental; rental of gaming machines; providing amusement arcade services; rental of gaming machines with images of fruits; editing or recording of sounds and images; sound recording and video entertainment services; hire of sound reproducing apparatus; provision of gaming equipment for casinos; providing of casino facilities; online gambling services; casino, gaming and gambling services; providing amusement arcade services, online casino and betting services provided via websites; lottery services; organization of lotteries; provision of games by means of a computer based system; online interactive entertainment; on-line casino services; online game services through mobile devices; providing online entertainment in the nature of game tournaments; providing on-line information in the field of computer gaming entertainment; sports betting services; online sports betting services.

42 – Computer software technical support services; troubleshooting of computer software problems; provision of technical support in the supervision of computing networks; provision of technical support in the operation of computing networks; technical support services relating to computer software and applications; technical supervision and inspection; monitoring of computer systems by remote access; machine condition monitoring; installation, repair and maintenance of computer software; design, maintenance and updating of computer software; installation, setting up and maintenance of computer software; design, maintenance, development and updating of computer software; installation and customisation of computer applications software; technical consultancy relating to the installation and maintenance of computer software; computer system monitoring services; design of graphic software systems; development of interactive multimedia software; design and development of computer hardware; advice relating to the design of computer hardware; advisory and information services relating to the design and development of computer hardware; design, development and testing of compu-

ter software and hardware, and in particular for gambling, casino games and betting; platform as a service [PaaS]; development of computer platforms; platforms for gaming as software as a service [SaaS]; development of computer systems; computer system design and development.

(260) AM 2024 121098 A

(800) 1706477

(151) 2022 07 14

(891) 2022 07 14

(731) EGT DIGITAL LTD.

6, "Panorama Sofia" Str., Business Center  
"Richhill", block A, BG-1766 Sofia, Bulgaria

(540)



(591) Red and white

(531) 26.01.03; 26.01.12; 26.01.20; 26.11.01;

26.11.12; 27.05.10; 27.05.24; 29.01.12

(511)

9 – Operating computer software for main frame computers; monitors [computer hardware]; computer hardware; apparatus for recording images; monitors [computer programs]; games software; computer programs for recorded games; apparatus for recording, transmission or reproduction of sound or images; communications servers [computer hardware]; electronic components for gambling machines; computer application software featuring games and gaming; computer software for the administration of on-line games and gaming; computer hardware for games and gaming; hardware and software for gambling, gambling machines, gambling games on the Internet and via telecommunication network; computer operating system software; computer terminals; interactive terminals; multimedia terminals; electronic terminals for generating lottery tickets; interactive touch screen terminals; computer touchscreens; electronic display panels; liquid crystal display screens; digital signage display panels; multimedia software; multimedia apparatus and instruments; interactive multimedia software for playing games; computer screens; LCD large-screen displays; liquid crystal displays [LCDs] for home theatres; media streaming software; computer application software for streaming audio-visual media content via the internet; software; computer gaming software; computer software packages; computer operating system software; computer software, recorded; software drivers; virtual reality software; games software; entertainment software for computer games; computer programs for network management; electro-

nic lottery tickets; computer software platforms; operating systems; interactive computer systems; operating system programs; computer game software for use with on-line interactive games.

28 – Gaming machines for gambling; chips for gambling; mah-jong; arcade games; gambling machines operating with coins, notes and cards; games; electronic games; parlor games; gaming chips; gaming tables; slot machines [gaming machines]; LCD game machines; slot machines and gaming devices; coin-operated amusement machines; roulette chips; poker chips; chips and dice [gaming equipment]; gaming equipment for casinos; roulette tables; gaming roulette wheels; casino games; automats and gambling machines; coin-operated amusement machines and/or electronic coin-operated amusement machines with or without the possibility of gain; boxes for coin-operated amusement machines, slot machines and gaming machines; electronic or electrotechnical amusement machines and apparatus, gaming machines, coin-operated entertainment machines; housings for coin-operated amusement machines, gaming equipment, gaming machines, machines for gambling; electropneumatic and electrical gambling machines (slot machines); lottery games; electronic targets for games and sports.

37 – Construction of industrial plants; machinery installation, maintenance and repair; providing information relating to the installation of machinery; installation of computers; installation of audiovisual equipment; installation of hardware for computer systems; installation of computer hardware; computer hardware (installation, maintenance and repair of -); consultancy relating to the installation, maintenance and repair of computer hardware; upgrading of computer hardware; repair of game machines and apparatus; installation, maintenance and repair of computer network and information technology equipment.

38 – Telecommunication services; computer communication and Internet access; broadcasting services; automatic transfer of digital data using telecommunications channels; audiovisual communication services; video communication services; video transmission via digital networks; remote transmission of audio signals by means of telecommunications; remote transmission of data by means of telecommunications; delivery of messages by electronic media; electronic communications services; communication services for the electronic transmission of data; electronic transmission and retransmission of sounds, images, documents, messages and data; message sending, receiving and forwarding; interactive communication services; interactive telecommunications services; interactive transmission of video over digital networks; cable transmission of sounds, images, signals and data; communication by electronic means; communications via multinational telecommunication networks; communications services; communications services for



the exchange of data in electronic form; communication services provided electronically; advisory services relating to communications equipment; mobile media services in the nature of electronic transmission of entertainment media content; network transmission of sounds, images, signals and data; virtual chatrooms established via text messaging; providing electronic telecommunication connections; transmission of data, messages and information; transmission of sound and vision via satellite or interactive multimedia networks; computer-aided transmission of sound; transmission of sound via interactive multimedia networks; transmission of sound or visual recordings over networks; transmission of vision via interactive multimedia networks; transmission of information through video communication systems; transmission of information in the audiovisual field; provision of communications facilities for the interchange of digital data; telecommunications services between computer networks; telecommunications services relating to electronic commerce; telecommunication of information (including web pages); electronic transmission of information (services for the -); secured data, sound and image transmission services; inter-active video text services; video uploading services; photo uploading services; delivery of messages by audiovisual media; telematic data transmission and file transfer; digital transmission services for audio and video data; rental of telecommunication devices and equipment enabling connection to networks; rental of telecommunication equipment; provision of access to content, websites and portals; provision of access to data or documents stored electronically in central files for remote consultation; provision of access to electronic sites; providing access to multimedia content online; providing access to platforms on the Internet; providing access to gambling and gaming websites on the Internet; providing access to websites on the Internet or any other communications network; providing user access to portals on the Internet; providing user access to platforms on the Internet; provision of telecommunication access to video and audio content provided via an online video-on-demand service; provision of telecommunication access to video content provided via the Internet; electrical data transmission over a global remote data processing network, including the Internet; video-on-demand transmission services; sending and receiving of electronic messages; message sending via a website; computerised communication services; communications by computer terminals; computer intercommunication; communication by computer; on-line communication services; on-line transmission of electronic publications; transmission and distribution of data or audiovisual images via a global computer network or the Internet; transmission of data, audio, video and multimedia files; transmission of data, audio, video and multimedia files, including downloadable files and files streamed over a global computer network; data transmission and data broadcasting;

transmission of data or audio visual images via a global computer network or the Internet; transmission of data and information by computer and electronic communication means; transmission of information online; transmission of multimedia content via the Internet; transmission of sound, picture and data signals; computer-aided transmission of messages and images; exchange of messages via computer transmission; distribution of data or audio visual images via a global computer network or the Internet; streaming audio and video material on the Internet; streaming of audio, visual and audiovisual material via a global computer network; streaming of data; Internet based telecommunication services; web conferencing services; video, audio and television streaming services; access to content, websites and portals; online messaging services; broadcasting of audiovisual and multimedia content via the Internet.

41 – Gambling; services related to gambling; gaming services for entertainment purposes; casino, gaming and gambling services; training in the development of software systems; provision of gaming equipment for gambling halls; providing casino equipment [gambling]; gaming machine entertainment services; providing casino facilities [gambling]; providing halls with gaming machines; amusement arcade services; games equipment rental; rental of gaming machines; providing amusement arcade services; rental of gaming machines with images of fruits; editing or recording of sounds and images; sound recording and video entertainment services; hire of sound reproducing apparatus; provision of gaming equipment for casinos; providing of casino facilities; online gambling services; casino, gaming and gambling services; arranging of games, amusement arcades, casino and betting services via the internet; lottery services; organization of lotteries; provision of games by means of a computer based system; online interactive entertainment; on-line casino services; online game services through mobile devices; providing online entertainment in the nature of game tournaments; providing on-line information in the field of computer gaming entertainment; sports betting services; online sports betting services.

42 – Computer software technical support services; troubleshooting of computer software problems; provision of technical support in the supervision of computing networks; provision of technical support in the operation of computing networks; technical support services relating to computer software and applications; technical supervision and inspection; monitoring of computer systems by remote access; machine condition monitoring; installation, repair and maintenance of computer software; design, maintenance and updating of computer software; installation, setting up and maintenance of computer software; design, maintenance, development and updating of computer software; installation and customisation of computer app-

lications software; technical consultancy relating to the installation and maintenance of computer software; computer system monitoring services; design of graphic software systems; development of interactive multimedia software; design and development of computer hardware; advice relating to the design of computer hardware; advisory and information services relating to the design and development of computer software and hardware, and in particular for gambling, casino games and betting; platform as a service [PaaS]; development of computer platforms; software as a service [SaaS] services featuring software for gaming; development of computer systems; computer system design and development.

(260) AM 2024 121983 A

(800) 1717998

(151) 2022 12 23

(891) 2022 12 23

(731) Super Magnificent Coffee Company Ireland Limited  
Unit 14, Gray Office Park, Galway Retail Park, Headford Road, Galway, H91 C3N1, Ireland

(540)



**THE COFFEE BEAN  
& TEA LEAF**

(591) Black, white

(531) 05.03.13; 05.03.15; 05.07.27; 24.17.09;  
26.07.04

(511)

11 – Electric coffee, tea, and espresso brewers; electric coffee makers; electric espresso machines; electric kettles; electric tea kettles; electric tea pots.

21 – Beverageware; coffee mugs; coffee cups; tea cups; flasks; drinking flasks; insulated flasks; drinking cups; drinking glasses; tumblers for use as drinking glasses; water bottles sold empty; coffee stirrers; non-electric coffee makers; non-electric plunger-style coffee makers; non-electric coffee drippers for brewing coffee; non-electric kettles; non-electric tea kettles; tea pots; tea infusers; non-electric milk frothers; non-electric coffee grinders; hand-operated coffee grinders.

30 – Coffee; ground coffee; coffee-based beverages; espresso; espresso-based beverages; tea; loose tea; tea bags; tea-based beverages; tea-based beverages with fruit flavoring; hot chocolate; chocolate-based beverages; mixes in the nature of powders for making tea-, coffee-, and cocoa-based beverages; frozen coffee-based drinks; coffee pods; tea pods; coffee sold in single-serving containers for use in electric brewing machines for brewing beverages; espresso sold in single-serving containers for use in electric brewing machines for brewing beverages; tea sold in single-serving

containers for use in electric brewing machines for brewing beverages; tea powder sold in single-serving containers for use in electric brewing machines for brewing beverages; cocoa powder sold in single-serving containers for use in electric brewing machines for brewing beverages; chocolate; confectionery; bagels; biscuits; bread; breakfast burritos; cakes; cookies; donuts; muffins; cereal-based snack foods; muesli consisting predominantly of cereals; oatmeal; sandwiches; pasta salads; pastries; pizza.

35 – Retail store services relating to food and drink; online retail store services relating to food and drink; retail store services and online retail store services featuring coffee, espresso, tea, coffee-based beverages, espresso-based beverages, tea-based beverages, chocolate-based beverages, mixes for making beverages, chocolate products, confectionary, baked goods, prepared meals, shakes, beverageware, electric brewing machines, electric espresso machines, coffee and tea presses, coffee and tea pots, and coffee, espresso, tea, and powder sold in single-serving containers for use in brewing machines; customer loyalty services and customer club services for commercial, promotional, and/or advertising purposes; online retail store services featuring virtual merchandise, namely, fashion accessories, apparel, clothing, headwear, eyewear, footwear, bags, backpacks, sports equipment, jewelry, art, posters, decals, stickers, games, toys, furniture, beverageware, food and drink, for use in virtual environments; arranging, conducting, and administering customer loyalty programs and incentive reward programs for enabling participants to obtain discounts and special offers on products and services; providing customer loyalty programs and incentive reward programs through which participants can earn, accrue, and redeem loyalty points, rewards, coupons, gift cards, prepaid stored value cards, and other discounts for the purpose of promoting and rewarding loyalty.

43 – Coffee and tea bars; coffee shop services; cafe services; snack bar services; restaurant services; restaurant services featuring coffee, espresso, tea, coffee-based beverages, espresso-based beverages, tea-based beverages, chocolate-based beverages, mixes for making beverages, chocolate products, confectionary, baked goods, prepared meals, shakes, and frozen drinks.

(260) AM 2024 121984 A

(800) 1717999

(151) 2022 12 23

(891) 2022 12 23

(731) Super Magnificent Coffee Company Ireland Limited  
Unit 14, Gray Office Park, Galway Retail Park, Headford Road, Galway, H91 C3N1, Ireland

(540)



(591) Black, white

(531) 05.03.11; 05.03.13; 05.03.15; 05.07.27;  
24.03.07; 26.01.21; 26.11.09; 27.01.12

(511)

11 – Electric coffee, tea, and espresso brewers; electric coffee makers; electric espresso machines; electric kettles; electric tea kettles; electric tea pots.

21 – Beverageware; coffee mugs; coffee cups; tea cups; flasks; drinking flasks; insulated flasks; drinking cups; drinking glasses; tumblers for use as drinking glasses; water bottles sold empty; coffee stirrers; non-electric coffee makers; non-electric plunger-style coffee makers; non-electric coffee drippers for brewing coffee; non-electric kettles; non-electric tea kettles; tea pots; tea infusers; non-electric milk frothers; non-electric coffee grinders; hand-operated coffee grinders.

30 – Coffee; ground coffee; coffee-based beverages; espresso; espresso-based beverages; tea; loose tea; tea bags; tea-based beverages; tea-based beverages with fruit flavoring; hot chocolate; chocolate-based beverages; mixes in the nature of powders for making tea-, coffee-, and cocoa-based beverages; frozen coffee-based drinks; coffee pods; tea pods; coffee sold in single-serving containers for use in electric brewing machines for brewing beverages; espresso sold in single-serving containers for use in electric brewing machines for brewing beverages; tea sold in single-serving containers for use in electric brewing machines for brewing beverages; tea powder sold in single-serving containers for use in electric brewing machines for brewing beverages; cocoa powder sold in single-serving containers for use in electric brewing machines for brewing beverages; chocolate; confectionery; bagels; biscuits; bread; breakfast burritos; cakes; cookies; donuts; muffins; cereal-based snack foods; muesli consisting predominantly of cereals; muesli bars consisting predominantly of cereals; oatmeal; sandwiches; pasta salads; pastries; pizza.

35 – Retail store services relating to food and drink; online retail store services relating to food and drink; retail store services and online retail store services featuring coffee, espresso, tea, coffee-based beverages, espresso-based beverages, tea-based beverages, chocolate-based beverages, mixes for making beverages, chocolate products, confectionary, baked goods, prepared meals, shakes, beverageware, electric brewing machines, electric espresso machines, coffee and tea presses, coffee and tea pots, and coffee, espresso, tea, and powder sold in single-serving containers for

use in brewing machines; customer loyalty services and customer club services for commercial, promotional, and/or advertising purposes; online retail store services featuring virtual merchandise, namely, fashion accessories, apparel, clothing, headwear, eyewear, footwear, bags, backpacks, sports equipment, jewelry, art, posters, decals, stickers, games, toys, furniture, beverageware, food and drink, for use in virtual environments; arranging, conducting, and administering customer loyalty programs and incentive reward programs for enabling participants to obtain discounts and special offers on products and services; providing customer loyalty programs and incentive reward programs through which participants can earn, accrue, and redeem loyalty points, rewards, coupons, gift cards, prepaid stored value cards, and other discounts for the purpose of promoting and rewarding loyalty.

43 – Coffee and tea bars; coffee shop services; cafe services; snack bar services; restaurant services; restaurant services featuring coffee, espresso, tea, coffee-based beverages, espresso-based beverages, tea-based beverages, chocolate-based beverages, mixes for making beverages, chocolate products, confectionary, baked goods, prepared meals, shakes, and frozen drinks.

(260) AM 2024 122246 A

(800) 1721285

(151) 2023 02 10

(891) 2023 02 10

(731) Honor Device Co., Ltd.

Suite 3401, Unit A, Building 6, Shum Yip Sky Park, No. 8089, Hongli West Road, Xiangmihu Street, Futian District, Shenzhen, 518040 Guangdong, China

(540)

## MagicGuard

(591) Black, white

(511)

9 – Computer software applications, downloadable; central processing units for processing information, data, sound or images; security tokens [encryption devices]; computer programs, recorded; computer software for authorising access to data bases; smartphone software applications, downloadable; computer programs, downloadable; computer software platforms, recorded or downloadable; computer operating programs, recorded; flat panel displays; tablet computers; stands adapted for tablet computers; covers for tablet computers; smartwatches; smartglasses; electronic pens; notebook computers; touch screen pens; computer memory devices; computer hardware; computer software, recorded; computer keyboards; mouse [computer peripheral]; facial recognition apparatus; bathroom scales; stands adapted for mobile phones; smartphones; protective films adapted for smartphones; cases for smartphones; covers for smartphones; wearable activity trackers; network communication appa-

ratus; wrist-mounted smartphones; portable media players; loudspeakers; cabinets for loudspeakers; television apparatus; earphones; cameras [photography]; connected bracelets [measuring instruments]; USB cables; USB cables for cellphones; batteries, electric; portable power supplies (rechargeable batteries).

42 – Product safety testing services; technological research; maintenance of computer software relating to computer security and prevention of computer risks; repair of damaged computer programs; writing of data processing programs; data security consultancy; development of data processing programs by order of third parties; design and development of electronic data security systems; rental of web servers; updating of computer software relating to computer security and prevention of computer risks; conversion of computer programs and data, other than physical conversion; design of computer programs; creating of computer programs; maintenance of computer programs; computer programming; software as a service [SaaS]; advisory services in the field of product development and quality improvement of software; off-site data backup; user authentication services using single sign-on technology for online software applications; development of driver software; development of operating system software; cloud computing; internet security consultancy; providing search engines for the internet; electronic data storage; computer security consultancy; computer virus protection services; consultancy in the design and development of computer hardware; updating of computer software; computer software design; providing information relating to computer technology and programming via a website.

(260) AM 2024 122455 A

(800) 1724333

(151) 2023 01 19

(891) 2023 01 19

(731) CHINA TOBACCO GUANGDONG INDUSTRIAL CO., LTD.

8th-16th Floor, No. 186, Linhexiheng Road, Tianhe, Guangzhou, Guangdong, China

(540)



(591) Black, white

(531) 24.17.05; 24.17.07; 24.17.09; 27.05.01; 27.05.17

(511)

34 – Cigarettes containing tobacco substitutes, not for medical purposes; cigarettes; tobacco; cigars; tobacco powder; chewing tobacco; snuff; cigar cases; cigar cutters; cigar mouthpiece; tobacco pipes; hookahs; devices for heating tobacco for inhalation; cigarette cases; ashtrays for smokers; lighters for smokers; lighters for cigars; cigarette paper; cigarette filters; flavorings, other than essential oils, for tobacco; electronic cigarettes; electronic cigars.

(260) AM 2024 122458 A

(800) 1724361

(151) 2022 11 08

(891) 2022 11 08

(731) Obshchestvo s ogranichennoy otvetstvennostyu "Al'kor i Ko"

prospekt Leninskiy, 72/2, RU-119261 Moscow, Russian Federation

(540)

**ROYAL BARBER**  
**РОЯЛ БАРБЕР**

(591) Black, white

(531) 28.05

(511)

3 – Abrasives; amber [perfume]; descaling preparations for household purposes; antistatic preparations for household purposes; aromatics [essential oils]; air fragrancing preparations; cake flavourings [essential oils]; flavourings for beverages [essential oils]; food flavourings [essential oils]; breath freshening sprays; canned pressurized air for cleaning and dusting purposes; balms, other than for medical purposes; lip glosses; polishing stones; abrasive paper; emery paper; polishing paper; petroleum jelly for cosmetic purposes; shoe polish; cobblers' wax; cotton wool for cosmetic purposes; sachets for perfuming linen; drying agents for dishwashing machines; adhesives for cosmetic purposes; scented water; javelle water; lavender water; toilet water; wax for parquet floors; floor wax; non-slipping wax for floors; depilatory wax; moustache wax; tailors' wax; creams for leather; polish for furniture and flooring; shoemakers' wax; polishing wax; massage gels, other than for medical purposes; heliotropine; dental bleaching gels; geraniol; makeup; deodorants for pets; deodorants for human beings or for animals; depilatory preparations; air fragrance reed diffusers; scented wood; perfumes; non-slipping liquids for floors; windscreen cleaning liquids; greases for cosmetic purposes; volcanic ash for cleaning; perfumery; decorative transfers for cosmetic purposes; ionone [perfumery]; shaving stones [astringents]; smoothing stones; eyebrow pencils; cosmetic pencils; silicon carbide [abrasive]; carbides of metal [abrasives]; alum stones [astringents]; tripoli stone for polishing; adhesives for affixing false eyelashes; adhesives for affixing false hair; hair conditioners; quillaia bark for washing; corundum [abrasive]; beard dyes; colorants for toilet purposes; cosmetic dyes; starch for laundry purposes; starch glaze for laundry purposes; shoe cream; polishing creams; cosmetic creams; skin whitening creams; polishing rouge; incense; hair spray; nail varnish; hair lotions; lotions for cosmetic purposes; after-shave lotions; beauty masks; oils for perfumes and scents; oils for cosmetic purposes; oils for toilet purposes; essential oils; essential oils of cedarwood; essential oils of lemon; essential oils of citron; oils for cleaning purposes; bergamot oil; gaultheria oil; jasmine oil; lavender oil; almond oil; rose oil; oil of turpentine for degreasing; whitening; cleaning

chalk; almond milk for cosmetic purposes; cleansing milk for toilet purposes; musk [perfumery]; deodorant soap; shaving soap; soap for brightening textile; cakes of toilet soap; antiperspirant soap; soap for foot perspiration; soap; almond soap; mint for perfumery; cosmetic kits; emery; nail art stickers; false nails; eau de cologne; joss sticks; pastes for razor strops; toothpaste; pumice stone; lipstick cases; hydrogen peroxide for cosmetic purposes; breath freshening strips; teeth whitening strips; sandcloth; glass cloth [abrasive cloth]; lipsticks; pomades for cosmetic purposes; shaving preparations; cosmetic preparations for baths; bath preparations, not for medical purposes; hair straightening preparations; hair waving preparations; laundry soaking preparations; grinding preparations; smoothing preparations [starching]; colour-removing preparations; leather bleaching preparations; polishing preparations; denture polishes; mouthwashes, not for medical purposes; cosmetic preparations for slimming purposes; laundry glaze; eye-washes, not for medical purposes; fabric softeners for laundry use; preparations for washing; dry-cleaning preparations; paint stripping preparations; lacquer-removing preparations; make-up removing preparations; floor wax removers [scouring preparations]; varnish-removing preparations; rust removing preparations; nail care preparations; cleaning preparations; preparations for cleaning dentures; wallpaper cleaning preparations; preparations for unblocking drain pipes; chemical cleaning preparations for household purposes; collagen preparations for cosmetic purposes; bleaching preparations [decolorants] for household purposes; laundry bleach; aloe vera preparations for cosmetic purposes; sunscreen preparations; colour-brightening chemicals for household purposes [laundry]; breath freshening preparations for personal hygiene; shining preparations [polish]; make-up powder; diamantine [abrasive]; stain removers; nail varnish removers; vaginal washes for personal sanitary or deodorant purposes; scouring solutions; false eyelashes; tissues impregnated with cosmetic lotions; tissues impregnated with make-up removing preparations; safrol; massage candles for cosmetic purposes; laundry blueing; turpentine for degreasing; potpourris [fragrances]; bleaching soda; washing soda, for cleaning; bath salts, not for medical purposes; bleaching salts; fumigation preparations [perfumes]; leather preservatives [polishes]; ammonia [volatile alkali] [detergent]; astringents for cosmetic purposes; eyebrow cosmetics; make-up preparations; sun-tanning preparations [cosmetics]; hair dyes; neutralizers for permanent waving; preparations to make the leaves of plants shiny; cosmetic preparations for eyelashes; cosmetic preparations for skin care; shoe wax; cosmetics; cosmetics for children; cosmetics for animals; mascara; cleansers for intimate personal hygiene purposes, non medicated; douching preparations for personal sanitary or deodorant purposes [toiletries]; detergents, other than for use in manufacturing operations and for medical purposes; degreasers, other

than for use in manufacturing processes; bleaching preparations [decolorants] for cosmetic purposes; antiperspirants [toiletries]; toiletry preparations; phyto-cosmetic preparations; talcum powder, for toilet use; cotton swabs for cosmetic purposes; terpenes [essential oils]; emery cloth; cloths impregnated with a detergent for cleaning; henna [cosmetic dye]; shampoos for animals [non-medicated grooming preparations]; shampoos for pets [non-medicated grooming preparations]; dry shampoos; shampoos; sandpaper; soda lye; herbal extracts for cosmetic purposes; extracts of flowers [perfumes]; ethereal essences; badian essence; mint essence [essential oil].

(260) AM 2024 122473 A

(800) 1724865

(151) 2023 03 06

(891) 2023 03 06

(731) Aleshin Alexander Alekseevich

Ul. Chyurlyonisa, d. 8, kv. 19, 220045 Minsk,  
Belarus

(540)

**Beebro**

(591) Blue

(531) 27.05.01; 29.01.04

(511)

9 – Software; computer software; computer software applications, downloadable; computer software for coordinating transport services, namely, for automated operational management of transport services and dispatching of motor vehicles; computer software for receiving, organizing and/or distributing and booking transport services; computer software for providing transport services for the use of third parties; navigation computer software; computer software for motor vehicle drivers and passengers, including potential ones, for the purpose of sharing and/or sharing access to a driving direction and/or a tour; mobile application software and/or application software programs for coordinating transport services, namely, for automated operational management of transport services and dispatching of motor vehicles; mobile application software and / or application software programs for receiving, organizing and / or distributing and booking transport services; mobile application software and / or application software programs for providing transport services for the use of third parties; navigation mobile application software and / or application software programs; mobile application software and / or application software programs for motor vehicle drivers and passengers, including potential ones, for the purpose of sharing and/or sharing access to a driving direction and/or a tour.

39 – Taxi transport; coordinating and organizing transport services; cargo taxi transport; provision of information, relating to transport services and transport services booking, from a web site; transportation

logistics; packing of cargo; storage of cargo; freight forwarding; parcel delivery; unloading cargo and luggage; cargo delivery services; storage of cargo after transportation; providing traffic information; transportation information; hauling; car transport; passenger transport; car rental; vehicle rental; transport.

42 – Design and development of computer hardware and software; software design and development; providing temporary use of online non-downloadable software for transport services provision and booking and for dispatch of motor vehicles to customers; installation of computer software; computer software consultancy; updating of computer software; software as a service [SaaS]; maintenance of computer software; rental of computer software.

(260) AM 2024 122535 A

(800) 1725673

(151) 2023 03 20

(891) 2023 03 20

(731) BAUSCH + LOMB IRELAND LIMITED

3013 Lake Drive, Citywest Business Campus,  
Dublin 24, Ireland

(540)

**SEEEYRA**

(591) Black, white

(511)

10 – Ophthalmic microsurgical apparatus and instruments for use in ocular or eye-related procedures.

(260) AM 2024 122536 A

(800) 1725674

(151) 2023 03 20

(891) 2023 03 20

(731) BAUSCH + LOMB IRELAND LIMITED

3013 Lake Drive, Citywest Business Campus,  
Dublin 24, Ireland

(540)

**SEETEGRA**

(591) Black, white

(511)

10 – Ophthalmic microsurgical apparatus and instruments for use in ocular or eye-related procedures.

(260) AM 2024 122537 A

(800) 1725675

(151) 2023 03 20

(891) 2023 03 20

(731) BAUSCH + LOMB IRELAND LIMITED

3013 Lake Drive,; Citywest Business Campus,  
Dublin 24, Ireland

(540)

**SEELYRA**

(591) Black, white

(511)

10 – Ophthalmic microsurgical apparatus and instruments for use in ocular or eye-related procedures.

(260) AM 2024 122538 A

(800) 1725776

(151) 2022 11 15

(891) 2022 11 15

(731) KMG International N.V.

Strawinskylaan 1571, Tower Ten, 17th Floor,  
NL-1077 XX Amsterdam, Netherlands

(540)



#EnergiaViitorului

#FutureEnergy

(591) Red, black, white, yellow and orange

(531) 01.03.01; 01.03.02; 01.03.09; 01.03.16;

05.05.04; 05.05.19; 05.05.20; 10.03.07;

29.01.13

(511)

35 – Advertising; business management; business administration; office functions; retail services in relation to fuels; rental of advertising space; consumers (commercial information and advice for-) [consumer advice shop]; commercial information and commercial advice for consumers [consumer advice shop]; presentation of goods on communication media, for retail purposes; price comparison services; exhibitions (organization of-) for commercial or advertising purposes; public relations; administrative loyalty card services; administration of consumer loyalty programs; administration of loyalty rewards programs; loyalty, incentive and bonus program services; organisation, operation and supervision of loyalty schemes; customer loyalty services for commercial, promotional and /or advertising purposes; sales promotion; commercial promotion; drafting business administrative guidelines and administrative management of savings and discount schemes aimed at promoting customer loyalty; sales promotion using or based on price and reward schemes; business administration of savings and other funds; accounting services being administrative services consisting of converting (converting) valuations of points into monetary quantities or purchase, exchange and discount rights.

(260) AM 2024 122595 A

(800) 1726040

(151) 2023 02 10

(891) 2023 02 10

(731) KÜLAL KOZMETİK İNŞAAT TİCARET VE  
SANAYİ LİMİTED ŞİRKETİ

ÇAYIROVA MAH., YAVUZ SULTAN

SELİM CAD. 21 1, Çayirova Kocaeli, Türkiye

(540)

**PARDOLE**  
P A R F U M

(591) Black, white

(531) 27.05.01

(511)

3 – Non-medicated cosmetics and toiletry preparations, cosmetics, cosmetic creams, cosmetic dyes, cosmetic pencils, cosmetics for animals, cosmetics for children, eyebrow cosmetics, almond milk for cosmetic purposes, bath tea for cosmetic purposes, collagen preparations for cosmetic purposes, cosmetic preparations for baths, cosmetic preparations for eyelashes, cosmetic preparations for skin care, cosmetic preparations for slimming purposes, cotton sticks for cosmetic purposes, cotton swabs for cosmetic purposes, greases for cosmetic purposes, henna, herbal extracts for cosmetic purposes, lotions for cosmetic purposes, massage candles for cosmetic purposes, oils for cosmetic purposes, petroleum jelly for cosmetic purposes, pomades for cosmetic purposes, serums for cosmetic purposes, sheet masks for cosmetic purposes, skin hydrators for cosmetic purposes, aloe vera preparations for cosmetic purposes, bleaching preparations for cosmetic purposes, gel eye patches for cosmetic purposes, make-up palettes containing cosmetics, do-uching preparations for personal sanitary or deodorant purposes, perfumery, non-medicated dentifrices, essential oils, aromatics, laundry bleaching preparations, leather bleaching preparations, laundry bleach, laundry blueing, laundry preparations, cleaning preparations, polishing preparations, scouring preparations.

(260) AM 2024 122617 A

(800) 1726414

(151) 2023 01 31

(891) 2023 01 31

(731) Roja Parfums Holdings Limited  
41 New England Street, New England  
Quarter, Brighton BN1 4GQ, United Kingdom

(540)

**ISOLA BLU**

(591) Black, white

(511)

3 – Bleaching preparations and other substances for laundry use; cleaning, polishing, scouring and abrasive preparations; soaps; perfumery; essential oils; cosmetics; hair lotions; dentifrices; perfumes; perfumery products; aromatics for fragrances; fine fragrance; perfumed bath foam preparations; perfumed bath salts; perfumed body milks; perfumed lotions; perfumed body sprays; perfumed creams; perfumed soaps; room fragrances; joss sticks; air fragrance preparations, namely, perfumed sticks.

4 – Candles; perfumed candles.

(260) AM 2024 122618 A

(800) 1726437

(151) 2023 02 20

(891) 2023 02 20

(731) SHELSM EMLAK İNŞAAT TURİZM  
SANAYİ VE TİCARET LİMİTED ŞİRKETİ  
Millet Mah. 7210 Sk. No:41/A Yıldırım,  
Bursa, Türkiye

(540)

**ADK 77**

(591) Black, white

(531) 27.05.01; 27.07.01

(511)

3 – Bleaching and cleaning preparations, detergents other than for use in manufacturing operations and for medical purposes, laundry bleach, fabric softeners for laundry use, stain removers, dishwasher detergents; perfumery; non-medicated cosmetics; fragrances; deodorants for personal use and animals; soaps; dental care preparations: dentifrices, denture polishes, tooth whitening preparations, mouth washes, not for medical purposes; abrasive preparations; emery cloth; sandpaper; pumice stone; abrasive pastes; polishing preparations for leather, vinyl, metal and wood, polishes and creams for leather, vinyl, metal and wood, wax for polishing.

(260) AM 2024 122619 A

(800) 1726445

(151) 2023 01 27

(891) 2023 01 27

(731) Sis Natural CJSC  
V. Aghtsk, 0207 Aragatsotn region,  
Armenia

(540)

**YAN**

(591) Black, white

(511)

32 – Non-alcoholic beverages; fruit beverages and fruit juices; tomato juice [beverage]; vegetable juices [beverages].

(260) AM 2024 122620 A

(800) 1726478

(151) 2023 02 27

(891) 2023 02 27

(731) China National Heavy Duty Truck Group Co.,  
Ltd.  
Sinotruk Tower, No. 777 Hua'ao Road,  
Innovation Zone, Jinan, Shandong, China

(540)

**VGW**

(591) Black, white

(531) 27.05.17; 27.05.23

(511)  
12 – Lorries; caravans; electric vehicles; sports cars; cars; camping cars; motor homes; driverless cars [autonomous cars]; self-driving cars; ambulances; tow trucks; hydrogen-fueled cars; vans [vehicles]; automobiles.

(260) AM 2024 122716 A  
(800) 1039194  
(151) 2009 12 31  
(891) 2022 12 13  
(731) CHEF SEASONS GIDA SANAYİ VE  
TİCARET LİMİTED ŞİRKETİ  
Mansuroğlu Mahallesi 283/12, Sokak No:5/1  
K:2 D:7, Manavkuyu, Bayraklı-İzmir, Türkiye  
(540)

## CHEFSEASONS

(591) Black, white  
(511)  
30 – Coffee; cocoa; cocoa-based beverages; chocolate-based beverages; salt; tomato sauce; sauces [condiments]; food flavorings, other than essential oils; spices; cereals and cereal products; snacks made of cereals, namely, corn flakes, oatmeal.

(260) AM 2024 122779 A  
(800) 1728499  
(151) 2023 03 15  
(891) 2023 03 15  
(731) PRIVATE JOINT-STOCK COMPANY "KYIV  
CARDBOARD AND PAPER MILL"  
vul. Kyivska, 130, m. Obukhiv, Kyivska obl.  
08700, Ukraine  
(540)

## ДИВО Premio

(591) Black, white  
(531) 28.05  
(511)  
16 – Hygienic (toilet) paper; handkerchiefs of paper; face towels of paper; towels of paper; tissues of paper for removing make-up; paper wipes for cleaning; table napkins of paper, tissues of paper for cosmetic use.

(260) AM 2024 122780 A  
(800) 1728523  
(151) 2023 01 28  
(891) 2023 01 28  
(731) Jiangsu General Science Technology Co., Ltd.  
Gangxia, Donggang Town, Xishan District,  
Wuxi City, 214199 Jiangsu Province, China  
(540)

## TOWIN

(591) Black, white

(531) 27.05.01; 27.05.17  
(511)  
12 – Pneumatic tires; automobile tires; solid tyres for vehicles; tyre for agricultural car; tyre (for vehicle); inner tube for vehicle tyres; motorcycle tires; inner tube of automobile tire; truck tires; two-wheel tires.

(260) AM 2024 122785 A  
(800) 1728637  
(151) 2023 03 08  
(891) 2023 03 08  
(731) ANHUI COOL BABY SCIENCE &  
TECHNOLOGY DEVELOPMENT  
CORPORATION  
North Industry Park, Jin'an Zone, Lu'an City,  
237000 Anhui Province, China  
(540)

## Pamo Babe

(591) Black, white  
(531) 27.05.01  
(511)  
12 – Electric vehicles; push scooters [vehicles]; mobility scooters; moped; wheelchairs; baby carriage; cleaning trolleys; safety seats for children, for vehicles; vehicle seats; seat covers for vehicles.

20 – Furniture; playpens for babies; bassinets; cradles; beds; infant walkers; mattresses; wall-mounted baby changing platforms; Moses baskets; mats for infant playpens.

(260) AM 2024 122800 A  
(800) 1728864  
(151) 2023 02 08  
(891) 2023 02 08  
(731) STORI B & C S.R.L.  
Via Adige, 12, DESENZANO DEL GARDA  
(BRESCIA), Italy  
(540)

## STORY LORIS SINCE 1949

(591) Black, white  
(531) 24.01.03; 24.01.07; 24.01.25; 27.05.01  
(511)  
25 – Clothing for men; classic menswear; men's sportswear; men's formal wear; clothing for infants; articles of clothing, footwear and headgear for babies and toddlers; clothing for children; headgear for children; children's trousers; romper suits; children's underpants; children's socks; children's tops; shoes for children; snap crotch shirts for infants and toddlers; underwear for babies; underwear for children; babies' pants; dresses; suits; evening wear; men's evening gowns; leisure wear; chemise tops; shirts; camisettes; bodices [lingerie]; sport shirts; dress shirts; shirts for



wear with suits; waistcoats; jerkins; jackets [clothing]; smoking jackets; tuxedos; waterproof jackets; suit jackets; overcoats; coats; anoraks [parkas]; raincoats; wind-resistant jackets; hooded wind jackets; capes; pelisses; blousons; blouses; trousers; dress pants; slacks; ankle-length pants; Bermuda shorts; denim pants; belts [clothing]; neckwear; neckties; neckerchiefs; scarves; bow ties; hosiery; cardigans; jumpers; maillots [hosiery]; sweaters; jerseys [clothing]; t-shirts; polo shirts; sweatshirts; clothing for gymnastics; track suits; sweatpants; combinations [clothing]; foulards; bandanas [neckerchiefs]; babushkas [clothing]; kerchiefs [clothing]; underwear; brassieres; corsets [underclothing]; bustiers; tank tops; petticoats; socks; stockings; tights; knickers; boxer shorts; boxer briefs; bloomers; stocking suspenders; underpants; chemises; nightwear; nightgowns; pajamas; dressing gowns; shawls; bath robes; bathing suits; bathing trunks; beach cover-ups; pareus; leggings [trousers]; leggings [leg warmers]; skirts; men's suits; dresses for women; caps; hats; small hats; berets; visors being headwear; headbands [clothing]; loungewear; dress suits; gloves [clothing]; muffs [clothing]; ear muffs [clothing]; pocket squares; braces [suspenders] for clothing; ready-made clothing; aprons [clothing]; uniforms; shoes; boots; slippers; boots for sports; sandals; gussets for footlets [parts of clothing]; protective metal fittings for shoes and boots; soles for footwear; heels; footwear uppers; inner soles; clothing, footwear, headwear.

(260) AM 2024 122819 A

(800) 1598894

(151) 2021 05 07

(891) 2023 01 24

(731) SUBSIDIARY COMPANY

"CONFECTIONERY CORPORATION

"ROSHEN"

1 Nauky Avenue, building 1, Kyiv 03039,

Ukraine

(540)

**TOFFELINI**

(591) Black, white

(531) 27.05.01

(511)

30 – Peanut confectionery; flavourings, other than essential oils, for cakes; cereal bars; high-protein cereal bars; bread rolls; buns; vanillin [vanilla substitute]; vanilla flavourings for culinary purposes; waffles; flour-based dumplings; orange blossom water for culinary purposes; binding agents for ice cream; cloves [spice]; cake frosting [icing]; glucose for culinary purposes; chocolate-coated nuts; mirror icing [mirror glaze]; gluten additives for culinary purposes; yeast; dulce de leche; essences for foodstuffs, except etheric essences and essential oils; chewing gum for breath freshening; chewing gum; custard; thickening agents for cooking foodstuffs; leaven; ferments for pastes;

cereal-based snack food; artificial coffee; frozen yogurt [confectionery ices]; cereal preparations; ground ginger; cocoa; cocoa beverages with milk; caramels [sweets]; curry [spice]; confectionery for decorating Christmas trees; confectionery; cinnamon [spice]; crackers; rice crackers; cream of tartar for culinary purposes; crème brûlée; starch for food; croissants; croûtons; turmeric; cooking salt; liquorice [confectionery]; ice pops; mints for breath freshening; macarons; coconut macarons; marinades; marzipan; almond confectionery; ice cream; dessert mousses [confectionery]; chocolate mousses; mint for confectionery; peppermint sweets; cocoa-based beverages; chocolate-based beverages; nougat; stick liquorice [confectionery]; palm sugar; edible paper wafers; lozenges [confectionery]; baking powder; allspice; peppers [seasonings]; pepper; petits fours; biscuits; pies; fondants [confectionery]; pralines; candy decorations for cakes; chocolate decorations for cakes; condiments; seasonings; profiteroles; gingerbread; spices; puddings; cake powder; preparations for stiffening whipped cream; rice pudding; rice cakes; malt biscuits; sweets; chocolate-based spreads; chocolate spreads containing nuts; rusks; petit-beurre biscuits; tarts; cakes; dough; cake batter; pastry dough; tortillas; fruit jellies [confectionery]; fruit confectionery; fruit coulis [sauces]; halvah; baking soda [bicarbonate of soda for cooking purposes]; edible ices; pastries; crystallized rock sugar; sugar; minced garlic [condiment]; saffron [seasoning]; sorbets [ices]; chocolate; chocolate beverages with milk; pains au chocolat.

(260) AM 2024 122820 A

(800) 1601995

(151) 2021 05 07

(891) 2023 01 24

(731) SUBSIDIARY COMPANY

"CONFECTIONERY CORPORATION

"ROSHEN"

1 Nauky Avenue, building 1, Kyiv 03039,

Ukraine

(540)

**LOVITA**

(591) Black, white

(531) 02.09.01; 27.01.01; 27.03.03; 27.05.01

(511)

30 – Peanut confectionery; cereal bars; high-protein cereal bars; bread rolls; buns; waffles; flour-based dumplings; biscuits; cake frosting [icing]; chocolate-coated nuts; mirror icing [mirror glaze]; chewing gum for breath freshening; chewing gum; custard; cereal-based snack food; frozen yogurt [confectionery ices]; cocoa; cocoa beverages with milk; caramels [sweets]; confectionery; confectionery for decorating Christmas

trees; crackers; rice crackers; cream of tartar for culinary purposes; crème brûlée; croissants; croutons; liquorice [confectionery]; ice pops; mints for breath freshening; macarons; coconut macaroons; marzipan; almond confectionery; ice cream; dessert mousses [confectionery]; chocolate mousses; mint for confectionery; peppermint sweets; cocoa-based beverages; chocolate-based beverages; nougat; stick liquorice [confectionery]; palm sugar; edible paper wafers; lozenges [confectionery]; petits fours; pies; fondants [confectionery]; pralines; candy decorations for cakes; chocolate decorations for cakes; condiments; seasonings; profiteroles; gingerbread; spices; puddings; cake powder; rice pudding; rice cakes; malt biscuits; sweets; chocolate-based spreads; chocolate spreads containing nuts; rusks; petit-beurre biscuits; tarts; cakes; dough; cake batter; pastry dough; tortillas; fruit jellies [confectionery]; fruit confectionery; fruit coulis [sauces]; halvah; edible ices; pastries; crystallized rock sugar; sugar; sorbets [ices]; chocolate; chocolate beverages with milk; pains au chocolat.

(260) AM 2024 122821 A  
 (800) 1708258  
 (151) 2022 12 21  
 (891) 2023 03 10  
 (731) Limited Liability Company "Restaurant Group"  
 ul. im. Gajrbekova Muslima Gajrbekovicha,  
 d. 67/18, et. 1, pom. 1, g. Groznyj, RU-364000  
 Chechenskaya Respublika, Russian Federation  
 (540)

## NUTLAND

(591) Black, white  
 (511)  
 43 – Accommodation bureau services [hotels, boarding houses]; rental of temporary accommodation; rental of drinking water dispensers; rental of holiday accommodation; rental of kitchen sinks; rental of furniture; rental of office furniture; rental of portable dressing rooms; rental of meeting rooms; tourist home services; hotel reservations; boarding house bookings; temporary accommodation reservations; retirement home services; snack-bar services; information and advice in relation to the preparation of meals; café services; cafeteria services; motel services; boarding house services; boarding for animals; temporary accommodation provided by halfway houses; rental of cooking apparatus; rental of chairs, tables, table linen, glassware; rental of lighting apparatus; rental of tents; rental of transportable buildings; restaurant services; self-service restaurant services; reception services for temporary accommodation [management of arrivals and departures]; food sculpting; decorating of food; cake decorating; holiday camp services [lodging]; bar services; day-nursery [crèche] services; hookah lounge services; providing campground facilities; personal chef services; food reviewing services [provision of information about food and drinks]; food and drink

catering; reception services for temporary accommodation [conferment of keys]; hotel accommodation services; animal pound services; washoku restaurant services; udon and soba restaurant services; take-away restaurant services; canteen services.

(260) AM 2024 122873 A  
 (800) 1729821  
 (151) 2023 03 30  
 (891) 2023 03 30  
 (731) United Biscuits (UK) Limited  
 Building 3, Chiswick Park, 566 Chiswick High  
 Road, Chiswick, London W4 5YA, United  
 Kingdom

(540)



(591) Black, brown, yellow  
 (531) 08.01.09; 19.03.03; 27.05.01; 29.01.13  
 (511)  
 30 – Cheddar cheese flavoured biscuits, savoury biscuits, crackers.

(260) AM 2024 122892 A  
 (800) 1730247  
 (151) 2023 03 16  
 (891) 2023 03 16  
 (731) F.B.T. – ELETTRONICA – SOCIETA' PER  
 AZIONI  
 Via Paolo Soprani 1 Zona Ind.le Squartabue,  
 I-62019 RECANATI (MC), Italy  
 (540)

## F B T

(591) Black, white  
 (531) 27.05.01; 27.05.17; 27.05.23  
 (511)  
 9 – Acoustic cabinets; amplifiers; sound mixing apparatus; electric and electronic control devices; equalizers [audio apparatus]; loudspeakers; cabinets for loudspeakers; audio mixers.  
 15 – Musical instruments.

(260) AM 2024 122893 A  
 (800) 1730265  
 (151) 2022 12 21  
 (891) 2022 12 21  
 (731) Individual entrepreneur Movsesyan Artur  
 Armenovich

Pervomayskaya St., 28/24 h., 54 Appart.,  
RU-105037 Moscow, Russian Federation

(540)

## JÖGEL

(591) Black, white

(511)

25 – Underwear; sweat-absorbent underwear; boots for sports; breeches for wear; trousers; football shoes; footless socks; jerseys [clothing]; waistcoats; sports jerseys; hosiery; jackets [clothing]; sports singlets; short-sleeve shirts; socks; sweat-absorbent socks; beach shoes; sports shoes; waterproof clothing; parkas; gloves [clothing]; bathing trunks; headbands [clothing]; half-boots; lace boots; inner soles; knitwear [clothing]; underpants; headwear; tee-shirts; scarves; studs for football shoes; leggings [trousers]; knitted face masks being clothing.

28 – Knee guards [sports articles]; elbow guards [sports articles]; baseball gloves; gloves for games; protective paddings [parts of sports suits]; rackets; nets for sports; tennis nets; cricket bags; foosball tables; shin guards [sports articles]; chest expanders [exercisers]; needles for pumps for inflating sports equipment; balls for games; pumps for inflating sports balls.

35 – Demonstration of goods; organization of exhibitions for commercial or advertising purposes; organization of trade fairs for commercial or advertising purposes; provision of an online marketplace for buyers and sellers of goods and services; sales promotion for others; rental of sales stands; procurement services for others [purchasing goods and services for other businesses]; retail services of goods using teleshopping or Internet sites; presentation of goods on communication media, for retail purposes; wholesale or retail store services; wholesale or retail services.

(260) AM 2024 122894 A

(800) 1730270

(151) 2023 03 24

(891) 2023 03 24

(731) Limited Liability Company "AQUILEJA"

Frunze st., vlad. 9/14, Stupino, RU-142803

Moskovskaia Oblast, Russian Federation

(540)

## BIOPROVINCE

## БИОПРОВИНС

(591) Black, white

(531) 28.05

(511)

3 – Non-medicated cosmetics and toiletry preparations; non-medicated dentifrices; perfumery, essential oils; bleaching preparations and other substances for laundry use; cleaning, polishing, scouring and abrasive preparations; abrasives; amber [perfume]; descaling preparations for household purposes; antistatic

preparations for household purposes; aromatics [essential oils]; air fragrancing preparations; cake flavourings [essential oils]; flavourings for beverages [essential oils]; food flavourings [essential oils]; breath freshening sprays; canned pressurized air for cleaning and dusting purposes; balms, other than for medical purposes; basma [cosmetic dye]; lip glosses; nail glitter; polishing stones; abrasive paper; emery paper; polishing paper; petroleum jelly for cosmetic purposes; shoe polish; cobblers' wax; cotton wool for cosmetic purposes; cotton wool impregnated with make-up removing preparations; sachets for perfuming linen; drying agents for dishwashing machines; adhesives for cosmetic purposes; scented water; Javelle water; lavender water; micellar water; toilet water; wax for parquet floors; floor wax; non-slipping wax for floors; depilatory wax; moustache wax; tailors' wax; creams for leather; polish for furniture and flooring; shoemakers' wax; polishing wax; massage gels, other than for medical purposes; heliotropine; dental bleaching gels; geraniol; make-up; deodorants for pets; deodorants for human beings or for animals; depilatory preparations; air fragrance reed diffusers; scented wood; perfumes; non-slipping liquids for floors; windscreen cleaning liquids; greases for cosmetic purposes; volcanic ash for cleaning; perfumery; decorative transfers for cosmetic purposes; ionone [perfumery]; shaving stones [astringents]; smoothing stones; eyebrow pencils; cosmetic pencils; silicon carbide [abrasive]; carbides of metal [abrasives]; alum stones [astringents]; tripoli stone for polishing; adhesives for affixing false eyelashes; adhesives for affixing false hair; hair conditioners; quillaia bark for washing; corundum [abrasive]; beard dyes; colorants for toilet purposes; cosmetic dyes; body paint for cosmetic purposes; shoe cream; polishing creams; cosmetic creams; skin whitening creams; polishing rouge; incense; hair spray; nail varnish; liquid latex body paint for cosmetic purposes; hair lotions; lotions for cosmetic purposes; after-shave lotions; beauty masks; oils for perfumes and scents; oils for cosmetic purposes; oils for toilet purposes; essential oils of cedarwood; essential oils of lemon; essential oils of citron; oils for cleaning purposes; bergamot oil; gaultheria oil; jasmine oil; lavender oil; almond oil; rose oil; oil of turpentine for degreasing; whitening; cleaning chalk; almond milk for cosmetic purposes; cleansing milk for toilet purposes; musk [perfumery]; soap; deodorant soap; shaving soap; soap for brightening textile; cakes of toilet soap; anti-perspirant soap; soap for foot perspiration; almond soap; mint for perfumery; make-up palettes containing cosmetics; emery; gel eye patches for cosmetic purposes; nail art stickers; false nails; eau de Cologne; joss sticks; pastes for razor strops; pumice stone; lipstick cases; hydrogen peroxide for cosmetic purposes; breath freshening strips; teeth whitening strips; sandcloth; glass cloth [abrasive cloth]; lipsticks; pomades for cosmetic purposes; shaving preparations; cosmetic preparations for baths; bath preparations, not for me-

dical purposes; hair straightening preparations; hair waving preparations; laundry soaking preparations; grinding preparations; smoothing preparations [starching]; colour-removing preparations; leather bleaching preparations; denture polishes; mouthwashes, not for medical purposes; cosmetic preparations for slimming purposes; preparations to make the leaves of plants shiny; eye-washes, not for medical purposes; fabric softeners for laundry use; preparations for washing; dry-cleaning preparations; paint stripping preparations; lacquer-removing preparations; make-up removing preparations; floor wax removers [scouring preparations]; varnish-removing preparations; rust removing preparations; nail care preparations; preparations for cleaning dentures; wallpaper cleaning preparations; preparations for unblocking drain pipes; chemical cleaning preparations for household purposes; collagen preparations for cosmetic purposes; bleaching preparations [decolorants] for household purposes; laundry bleach; aloe vera preparations for cosmetic purposes; sunscreen preparations; colour-brightening chemicals for household purposes [laundry]; breath freshening preparations for personal hygiene; shining preparations [polish]; make-up powder; diamantine [abrasive]; stain removers; nail varnish removers; vaginal washes for personal sanitary or deodorant purposes; scouring solutions; false eyelashes; antistatic dryer sheets; baby wipes impregnated with cleaning preparations; colour run prevention laundry sheets; tissues impregnated with cosmetic lotions; tissues impregnated with make-up removing preparations; saffrol; massage candles for cosmetic purposes; laundry blueing; turpentine for degreasing; potpourris [fragrances]; bleaching soda; bath salts, not for medical purposes; bleaching salts; fumigation preparations [perfumes]; leather preservatives [polishes]; ammonia [volatile alkali] [detergent]; astringents for cosmetic purposes; eyebrow cosmetics; make-up preparations; sun-tanning preparations [cosmetics]; hair dyes; neutralizers for permanent waving; cosmetic preparations for eyelashes; cosmetic preparations for skin care; dentifrices; cosmetics; cosmetics for children; cosmetics for animals; mascara; cleansers for intimate personal hygiene purposes, non medicated; douching preparations for personal sanitary or deodorant purposes [toilettries]; detergents, other than for use in manufacturing operations and for medical purposes; degreasers, other than for use in manufacturing processes; bleaching preparations [decolorants] for cosmetic purposes; toiletry preparations; antiperspirants [toilettries]; phyto-cosmetic preparations; talcum powder, for toilet use; cotton swabs for cosmetic purposes; terpenes [essential oils]; emery cloth; cloths impregnated with a detergent for cleaning; henna [cosmetic dye]; shampoos; shampoos for animals [non-medicated grooming preparations]; shampoos for pets [non-medicated grooming preparations]; dry shampoos; sandpaper; soda lye; herbal extracts for cosmetic purposes; extracts of flowers [perfumes]; ethereal essences; badian essence;

mint essence [essential oil]; starch for laundry purposes; laundry glaze; laundry preparations; washing soda, for cleaning; cleaning preparations.

(260) AM 2024 122903 A

(800) 1730407

(151) 2023 03 08

(891) 2023 03 08

(731) Closed Joint Stock Company, "ABI GROUP"  
ul. Traktornaya, 45, of. 425; RU-600005  
Vladimir, Russian Federation

(540)

## ABI

(591) Black, white

(511)

29 – Preserved peppers; aloe vera prepared for human consumption; alginates for culinary purposes; anchovy, not live; peanuts, prepared; artichokes, preserved; white of eggs; beans, preserved; soya beans, preserved, for food; broth; ginger jam; ham; fatty substances for the manufacture of edible fats; liver, preserved; edible birds' nests; sea-cucumbers, not live; peas, preserved; mushrooms, preserved; guacamole; game, not live; gelatine; meat jellies; jellies for food, other than confectionery; fruit jellies [spreads]; yolk of eggs; coconut fat; bone oil for food; lard; suet for food; edible fats; curd; fruit-based snack food; milk substitutes; charcuterie; raisins; caviar; eggplant paste; vegetable marrow paste; fish roe, prepared; yogurt; galbi [grilled meat dish]; sauerkraut; kefir; kimchi; isinglass for food; clams, not live; potato-based dumplings; klipfish [salted and dried cod]; milk shakes; black pudding; onion rings; arrangements of processed fruit; compotes; meat, canned; vegetables, canned; fish, canned; fruits, canned; broth concentrates; corn dogs; gherkins; tofu patties; soya patties; shrimps, not live; prawns, not live; buttercream; croquettes; silkworm chrysalis for human consumption; sweet corn, processed; kumys; spiny lobsters, not live; lecithin for culinary purposes; salmon, not live; onions, preserved; margarine; marmalade; oils for food; peanut butter; cocoa butter for food; coconut oil for food; coconut butter; corn oil for food; sesame oil for food; linseed oil for food; extra virgin olive oil for food; olive oil for food; palm oil for food; palm kernel oil for food; sunflower oil for food; rape oil for food; butter; soya bean oil for food; mussels, not live; almonds, ground; animal marrow for food; mollusks, not live; milk; peanut milk; peanut milk for culinary purposes; coconut milk; coconut milk for culinary purposes; almond milk; almond milk for culinary purposes; oat milk; rice milk; rice milk for culinary purposes; protein milk; condensed milk; soya milk; powdered milk; fish meal for human consumption; vegetable mousses; fish mousses; fruit pulp; meat; meat, preserved; freeze-dried meat; milk beverages, milk predominating; peanut milk-based beverages; coconut milk-based beverages; almond milk-based beverages; edible insects, not live;

breaded chicken pieces, fried; breaded chicken wings, fried; sausage casings, natural or artificial; vegetables, preserved; freeze-dried vegetables; vegetables, dried; vegetables, cooked; potato fritters; olives, preserved; lobsters, not live; flavored nuts; candied nuts; coconut, desiccated; nuts, prepared; tomato paste; pressed fruit paste; liver pâté; pectin for culinary purposes; liver; pickles; jams; powdered eggs; milk products; fish-based foodstuffs; soured milk; poultry, not live; bulgogi; pollen prepared as foodstuff; cranberry compote; tomato purée; apple purée; crayfish, not live; crustaceans, not live; fish, preserved; fish, not live; salted fish; fermented baked milk; vegetable salads; fruit salads; bacon; sardelki [sausages]; sardines, not live; pork; herrings, not live; seeds, prepared; sunflower seeds, prepared; cream [dairy products]; whipped cream; vegetable-based cream; fat-containing mixtures for bread slices; smetana; lemon juice for culinary purposes; tomato juice for cooking; vegetable juices for cooking; salted meats; sausages; sausages in batter; hot dog sausages; preparations for making bouillon; preparations for making soup; nut-based spreads; tripe; soups; vegetable soup preparations; whey; cottage cheese fritters; cheese; tajine [prepared meat, fish or vegetable dish]; tahini; tofu; truffles, preserved; tuna, not live; oysters, not live; falafel; milk ferments for culinary purposes; rennet; fish fillets; dates; frosted fruits; frozen fruits; fruit, preserved; fruit preserved in alcohol; fruit, stewed; hazelnuts, prepared; potato flakes; hummus; fruit peel; preserved garlic; lentils, preserved; potato chips; low-fat potato chips; fruit chips; non-alcoholic eggnog; seaweed extracts for food; meat extracts; edible ant larvae, prepared; tofu skin; berries, preserved; eggs; snail eggs for consumption; yakitori.

30 – Seaweed [condiment]; vanilla flavorings for culinary purposes; flavorings, other than essential oils, for cakes; flavorings, other than essential oils, for beverages; coffee flavorings; food flavorings, other than essential oils; star aniseed; baozi; cereal bars; high-protein cereal bars; pancakes; noodle-based prepared meals; freeze-dried dishes with the main ingredient being pasta; freeze-dried dishes with the main ingredient being rice; buns; bulgur; bread rolls; edible rice paper; edible paper; burritos; vanillin [vanilla substitute]; vareniki [stuffed dumplings]; waffles; vermicelli; natural sweeteners; sausage binding materials; binding agents for ice cream; sea water for cooking; malt biscuits; cloves [spice]; mirror icing [mirror glaze]; cake frosting [icing]; glucose for culinary purposes; mustard; croutons; buckwheat, processed; gluten additives for culinary purposes; yeast; pelmeni, fried; thickening agents for cooking foodstuffs; leaven; rice-based snack food; cereal-based snack food; coffee substitutes; vegetal preparations for use as coffee substitutes; dressings for salad; zefir [confectionery]; fruit jellies [confectionery]; candy decorations for cakes; confectionery for decorating Christmas trees; cakes; pastries; peanut confectionery; almond confectionery; pasta;

ginger [spice]; frozen yogurt [confectionery ices]; cocoa; cream of tartar for culinary purposes; capers; caramels [sweets]; curry [spice]; ketchup [sauce]; prepared rice rolled in seaweed; kimchi pancakes; quinoa, processed; quiches; gluten prepared as foodstuff; flour-based dumplings; sweets; liquorice [confectionery]; peppermint sweets; mints for breath freshening; dulce de leche; cinnamon [spice]; coffee; unroasted coffee; starch for food; crackers; custard; hominy grits; semolina; oatmeal; crushed barley; groats for human food; ice cubes; corn, milled; corn, roasted; meat pies; turmeric; couscous; noodles; soba noodles; udon noodles; ice for refreshment; ice, natural or artificial; edible ices; candies; rice cakes; potato-based flatbreads; mayonnaise; macarons; macaroni; maltose; hominy; manti [stuffed dumplings]; piccalilli; marinades; marzipan; honey; miso [seasoning]; royal jelly; ice cream; bean meal; buckwheat flour; tapioca flour; potato flour; corn flour; nut flours; flour; wheat flour; soya flour; barley meal; dessert mousses [confectionery]; chocolate mousses; muesli; mint for confectionery; cocoa beverages with milk; coffee beverages with milk; coffee-based beverages; cocoa-based beverages; chamomile-based beverages; tea-based beverages; chocolate beverages with milk; chocolate-based beverages; infusions, not medicinal; crushed oats; husked oats; savory pancakes; onigiri; nutmegs [spice]; chocolate-coated nuts; stick liquorice [confectionery]; pastila [confectionery]; pastilles [confectionery]; molasses for food; pâtés en croûte; pelmeni [dumplings stuffed with meat]; pepper; allspice; peppers [seasonings]; pesto; cookies; petit-beurre biscuits; bibimbap [rice mixed with vegetables and beef]; pies; pizzas; meat gravies; fondants [confectionery]; popcorn; powders for making ice cream; baking powder; mustard meal; pralines; aromatic preparations for food; condiments; meat tenderizers for culinary purposes; cereal preparations; oat-based food; bee glue; gingerbread; spices; petits fours [cakes]; rice pudding; puddings; cake powder; fruit coulis [sauces]; ravioli; ramen; chewing gum; chewing gum for breath freshening; relish [condiment]; rice; instant rice; wheat germ for human consumption; spring rolls; sago; sugar; palm sugar; sesame seeds [seasonings]; linseed for culinary purposes [seasoning]; processed seeds for use as a seasoning; aniseed; agave syrup [natural sweetener]; golden syrup; confectionery; savory pancake mixes; baking soda [bicarbonate of soda for cooking purposes]; malt for human consumption; salt for preserving foodstuffs; cooking salt; celery salt; sherbets [ices]; ham glaze; cranberry sauce [condiment]; soya sauce; tomato sauce; apple sauce [condiment]; sauces [condiments]; pasta sauce; spaghetti; seasonings; chocolate-based spreads; chocolate spreads containing nuts; preparations for stiffening whipped cream; shaved ice with sweetened red beans; rusks; breadcrumbs; sushi; senbei [rice crackers]; sandwiches; tabbouleh; tacos; tapioca; tarts; dough; pastry dough; almond paste; rice pulp for culinary purposes; cake dough; tortillas;

garden herbs, preserved [seasonings]; chocolate decorations for cakes; vinegar; beer vinegar; ferments for pastes; halvah; khinkali [stuffed dumplings]; bread; unleavened bread; chips [cereal products]; corn flakes; oat flakes; hot dog sandwiches; flowers or leaves for use as tea substitutes; jiaozi; chicory [coffee substitute]; tea; iced tea; chutneys [condiments]; chebureki [deep-fried pies]; minced garlic [condiment]; cheeseburgers [sandwiches]; chow-chow [condiment]; saffron [seasoning]; chocolate; malt extract for food; essences for foodstuffs, except etheric essences and essential oils; husked barley.

(260) AM 2024 122904 A

(800) 1730410

(151) 2023 04 07

(891) 2023 04 07

(731) LTD "VALENTA-INTELLEKT"

ul. Ryabinovaya, d.26, str.10, k.6-26,

RU-121471 Moscow, Russian Federation

(540)

## Респокситон

(591) Black, white

(531) 28.05

(511)

5 – Acaricides; aconitine; alkaloids for medical purposes; alginates for pharmaceutical purposes; algicides; aldehydes for pharmaceutical purposes; dental amalgams of gold; dental amalgams; amino acids for veterinary purposes; amino acids for medical purposes; analgesics; anaesthetics; antibiotics; antiseptics; medicine cases, portable, filled; first-aid boxes, filled; aluminium acetate for pharmaceutical purposes; acetates for pharmaceutical purposes; germicides; oxygen cylinders, filled, for medical purposes; balms for medical purposes; bandages for dressings; diagnostic biomarker reagents for medical purposes; biocides; bracelets impregnated with insect repellent; bromine for pharmaceutical purposes; paper for mustard plasters; fly catching paper; reagent paper for veterinary purposes; reagent paper for medical purposes; moth-proofing paper; petroleum jelly for medical purposes; vaccines; oxygen baths; antiseptic cotton; aseptic cotton; absorbent cotton; wadding for medical purposes; cotton for medical purposes; dietetic substances adapted for medical use; radiological contrast substances for medical purposes; nutritive substances for microorganisms; radioactive substances for medical purposes; bismuth subnitrate for pharmaceutical purposes; melissa water for pharmaceutical purposes; seawater for medicinal bathing; mineral waters for medical purposes; thermal water; dietary fibre; moulding wax for dentists; gases for medical purposes; guaiacol for pharmaceutical purposes; massage gels for medical purposes; sexual stimulant gels; haematogen; haemoglobin; hydrastine; hydrastinine; glycerine for medical purposes; glycerophosphates; glucose for medical purposes; gentian for pharmaceutical purposes;

hormones for medical purposes; mustard for pharmaceutical purposes; mustard plasters; mud for baths; medicinal mud; contraceptive sponges; gamboge for medical purposes; gurjun balsam for medical purposes; deodorizers for litter trays; air deodorizing preparations; deodorants, other than for human beings or for animals; deodorants for clothing and textiles; diastase for medical purposes; digitalin; vitamin supplement patches; mineral food supplements; nutritional supplements; albumin dietary supplements; dietary supplements for animals; yeast dietary supplements; alginate dietary supplements; glucose dietary supplements; casein dietary supplements; lecithin dietary supplements; linseed oil dietary supplements; propolis dietary supplements; protein dietary supplements; protein supplements for animals; royal jelly dietary supplements; pollen dietary supplements; wheat germ dietary supplements; linseed dietary supplements; acai powder dietary supplements; dietary supplements with a cosmetic effect; enzyme dietary supplements; yeast for pharmaceutical purposes; gelatine for medical purposes; cod liver oil; isotopes for medical purposes; immunostimulants; insecticides; iodine for pharmaceutical purposes; iodides for pharmaceutical purposes; alkaline iodides for pharmaceutical purposes; iodoform; calomel [fungicide]; cream of tartar for pharmaceutical purposes; tartar for pharmaceutical purposes; camphor for medical purposes; capsules for medicines; cachets for pharmaceutical purposes; capsules made of dendrimer-based polymers, for pharmaceuticals; haemostatic pencils; wart pencils; caustic pencils; carbolineum [parasiticide]; caustics for pharmaceutical purposes; cachou for pharmaceutical purposes; quassia for medical purposes; quebracho for medical purposes; oxygen for medical purposes; gallic acid for pharmaceutical purposes; acids for pharmaceutical purposes; adhesives for dentures; surgical glues; stem cells for veterinary purposes; stem cells for medical purposes; cocaine for medical purposes; collagen for medical purposes; collodion for pharmaceutical purposes; corn rings for the feet; cannabis for medical purposes; medicated sweets; angostura bark for medical purposes; barks for pharmaceutical purposes; cedar wood for use as an insect repellent; condurango bark for medical purposes; croton bark; mangrove bark for pharmaceutical purposes; myrobalan bark for pharmaceutical purposes; quinquina for medical purposes; medicated animal feed; medicinal roots; rhubarb roots for pharmaceutical purposes; lint for medical purposes; starch for dietetic or pharmaceutical purposes; creosote for pharmaceutical purposes; blood for medical purposes; biological tissue cultures for veterinary purposes; biological tissue cultures for medical purposes; cultures of microorganisms for medical or veterinary use; curare; dental lacquer; liquorice for pharmaceutical purposes; milk sugar for pharmaceutical purposes; adhesive plasters; medicines for alleviating constipation; adhesive tapes for medical purposes; lecithin for medical purposes;

lotions for veterinary purposes; medicated hair lotions; lotions for pharmaceutical purposes; medicated after-shave lotions; personal sexual lubricants; lupulin for pharmaceutical purposes; magnesia for pharmaceutical purposes; liniments; ointments for pharmaceutical purposes; sunburn ointments; mercurial ointments; frostbite salve for pharmaceutical purposes; gauze for dressings; medicinal oils; camphor oil for medical purposes; mustard oil for medical purposes; castor oil for medical purposes; oil of turpentine for pharmaceutical purposes; dill oil for medical purposes; dental mastics; dental abrasives; dental impression materials; teeth filling material; dressings, medical; surgical dressings; drugs for medical purposes; medicines for veterinary purposes; serotherapeutic medicines; medicines for human purposes; medicines for dental purposes; menthol; medicinal drinks; moleskin for medical purposes; almond milk for pharmaceutical purposes; powdered milk for babies; royal jelly for pharmaceutical purposes; milk ferments for pharmaceutical purposes; Irish moss for medical purposes; flour for pharmaceutical purposes; linseed meal for pharmaceutical purposes; fish meal for pharmaceutical purposes; fly glue; antibacterial soap; disinfectant soap; medicated soap; freeze-dried meat adapted for medical purposes; mint for pharmaceutical purposes; dietetic beverages adapted for medical purposes; malted milk beverages for medical purposes; injectable dermal fillers; bone void fillers comprised of living tissues; narcotics; medicinal infusions; tincture of iodine; eucalyptol for pharmaceutical purposes; tinctures for medical purposes; opium; opodeldoc; decoctions for pharmaceutical purposes; antiparasitic collars for animals; cotton swabs for medical purposes; stick liquorice for pharmaceutical purposes; sulfur sticks [disinfectants]; pastilles for pharmaceutical purposes; medicated toothpaste; pectin for pharmaceutical purposes; pepsins for pharmaceutical purposes; peptones for pharmaceutical purposes; hydrogen peroxide for medical purposes; pesticides; food for babies; leeches for medical purposes; blood plasma; nicotine patches for use as aids to stop smoking; eyepatches for medical purposes; poultices; compresses; scapulars for surgical purposes; babies' diapers; diapers for pets; swim diapers, reusable, for babies; swim diapers, disposable, for babies; diapers for incontinence; diaper changing mats, disposable, for babies; bunion pads; breast-nursing pads; pomades for medical purposes; powder of cantharides; pyrethrum powder; anti-uric preparations; bacterial preparations for medical and veterinary use; bacteriological preparations for medical and veterinary use; balsamic preparations for medical purposes; albuminous preparations for medical purposes; biological preparations for veterinary purposes; biological preparations for medical purposes; veterinary preparations; bismuth preparations for pharmaceutical purposes; vitamin preparations; diagnostic preparations for veterinary purposes; diagnostic preparations for medical purposes; douching preparations for me-

dical purposes; bath preparations for medical purposes; therapeutic preparations for the bath; haemorrhoid preparations; preparations for callouses; lice treatment preparations [pediculicides]; acne treatment preparations; preparations to facilitate teething; preparations for the treatment of burns; fumigation preparations for medical purposes; opotherapy preparations; air purifying preparations; bronchodilating preparations; preparations for reducing sexual activity; sterilizing preparations; soil-sterilizing preparations; corn remedies; pharmaceutical preparations for treating dandruff; preparations for destroying vermin; preparations for destroying noxious animals; herbicides; preparations for destroying dry rot fungus; larvae exterminating preparations; fly destroying preparations; preparations for destroying mice; slug exterminating preparations; pharmaceutical preparations for skin care; contact lens cleaning preparations; preparations of microorganisms for medical or veterinary use; lime-based pharmaceutical preparations; styptic preparations; medicated eye-washes; medicinal hair growth preparations; nutraceutical preparations for therapeutic or medical purposes; opiates; anticryptogamic preparations; aloe vera preparations for pharmaceutical purposes; preparations of trace elements for human and animal use; sulfonamides [medicines]; pharmaceutical preparations; pharmaceuticals for the treatment of cough, pharyngitis, laryngitis and tracheitis; pharmaceutical preparations for the treatment and prevention of viral diseases; pharmaceutical preparations for the prevention and treatment of colds, including pharmaceutical preparations for the prevention and treatment of colds in the form of suspensions; pharmaceuticals for the treatment of eosinophilic diseases and diseases of the upper respiratory conditions; antivirals in the form of tablets, capsules, suspensions and drops; pharmaceutical antitussive-cold preparations; pharmaceutical preparations for treating sunburn; enzyme preparations for veterinary purposes; enzyme preparations for medical purposes; phytotherapy preparations for medical purposes; chemico-pharmaceutical preparations; chemical preparations for veterinary purposes; chemical preparations for the diagnosis of pregnancy; chemical preparations for medical purposes; chemical preparations for treating diseases affecting cereal plants; chemical preparations for treating wheat blight; chemical preparations for treating diseases affecting vine plants; chemical preparations for treating mildew; chemical preparations for treating phylloxera; chemical preparations for pharmaceutical purposes; chilblain preparations; mothproofing preparations; collyrium; lead water; chemical conductors for electrocardiograph electrodes; albuminous foodstuffs for medical purposes; dietetic foods adapted for medical purposes; by-products of the processing of cereals for dietetic or medical purposes; homogenized food adapted for medical purposes; freeze-dried food adapted for medical purposes; pharmaceuticals; sanitary towels; panty liners [sanitary]; propolis for phar-

maceutical purposes; pearl powder for medical purposes; radium for medical purposes; hydrated chloral for pharmaceutical purposes; solvents for removing adhesive plasters; vaginal washes for medical purposes; solutions for contact lenses; chemical reagents for medical or veterinary purposes; gum for medical purposes; rubber for dental purposes; chewing gum for medical purposes; nicotine gum for use as an aid to stop smoking; insect repellents; insect repellent incense; repellents for dogs; tissues impregnated with pharmaceutical lotions; sarsaparilla for medical purposes; sugar for medical purposes; crystallized rock sugar for medical purposes; asthmatic tea; fumigating sticks; massage candles for therapeutic purposes; linseed for pharmaceutical purposes; tobacco-free cigarettes for medical purposes; siccatives [drying agents] for medical purposes; syrups for pharmaceutical purposes; turpentine for pharmaceutical purposes; milking grease; greases for veterinary purposes; greases for medical purposes; lacteal flour for babies; infant formula; soporifics; bicarbonate of soda for pharmaceutical purposes; bath salts for medical purposes; salts for mineral water baths; salts for medical purposes; potassium salts for medical purposes; sodium salts for medical purposes; smelling salts; mineral water salts; malt for pharmaceutical purposes; semen for artificial insemination; alcohol for pharmaceutical purposes; medicinal alcohol; alloys of precious metals for dental purposes; ergot for pharmaceutical purposes; cooling sprays for medical purposes; antibacterial handwashes; adjuvants for medical purposes; astringents for medical purposes; vermifuges; disinfectants; disinfectants for hygiene purposes; disinfectants for chemical toilets; appetite suppressants for medical purposes; medical preparations for slimming purposes; parasitocides; mouthwashes for medical purposes; medicated dentifrices; febrifuges; depuratives; animal washes [insecticides]; detergents for medical purposes; cattle washes [insecticides]; dog washes [insecticides]; insecticidal veterinary washes; vesicants; purgatives; remedies for perspiration; remedies for foot perspiration; chemical contraceptives; antiparasitic preparations; sedatives; laxatives; tonics [medicines]; medicated toiletry preparations; digestives for pharmaceutical purposes; nervines; bouillons for bacteriological cultures; steroids; headache relief sticks; strychnine; suppositories; serums for medical purposes; tanning pills; appetite suppressant pills; slimming pills; jujube, medicated; antioxidant pills; sanitary tampons; vulnerary sponges; thymol for pharmaceutical purposes; smoking herbs for medical purposes; medicinal herbs; transplants [living tissues]; surgical implants comprised of living tissues; pants, absorbent, for incontinence; sanitary panties; babies' diaper-pants; charcoal for pharmaceutical purposes; fennel for medical purposes; porcelain for dental prostheses; phenol for pharmaceutical purposes; enzymes for veterinary purposes; enzymes for medical purposes; ferments for pharmaceutical purposes; formic aldehyde for phar-

maceutical purposes; phosphates for pharmaceutical purposes; fungicides; quinine for medical purposes; chinoline for medical purposes; diabetic bread adapted for medical use; chloroform; flowers of sulfur for pharmaceutical purposes; cement for animal hooves; bone cement for surgical and orthopaedic purposes; dental cements; medicinal tea; herbal teas for medicinal purposes; insecticidal animal shampoos; medicated shampoos; medicated shampoos for pets; pediculicidal shampoos; medicated dry shampoos; pre-filled syringes for medical purposes; eucalyptus for pharmaceutical purposes; herbal extracts for medical purposes; plant extracts for pharmaceutical purposes; tobacco extracts [insecticides]; extracts of hops for pharmaceutical purposes; elixirs [pharmaceutical preparations]; ethers for pharmaceutical purposes; esters for pharmaceutical purposes; cellulose esters for pharmaceutical purposes; cellulose ethers for pharmaceutical purposes; rat poison; poisons; bacterial poisons; jalap.

---

(260) AM 2024 122907 A  
(800) 1730466  
(151) 2023 03 29  
(891) 2023 03 29  
(731) Mykhailo Yudin  
Hlazunova st.,3 ap.1; Kyiv 01042, Ukraine  
(540)

## APPEEX

(591) Black, white  
(511)  
3 – Cosmetics; polishing creams; cosmetic creams; oils for cosmetic purposes; facial peel preparations for cosmetic use.

5 – Medicines for human purposes; pharmaceutical preparations; pharmaceutical preparations for skin care; chemico-pharmaceutical preparations; chemical preparations for medical purposes; chemical preparations for pharmaceutical purposes.

---

(260) AM 2024 122908 A  
(800) 1730483  
(151) 2023 03 27  
(891) 2023 03 27  
(731) Macdonald & Muir Limited  
The Cube, 45 Leith Street.; Edinburgh  
EH1 3AT, Scotland, United Kingdom  
(540)

## SIGNET ULTIMATE

(591) Black, white  
(511)  
33 – Alcoholic beverages (except beer); but not including gin or gin-based products and in so far as whisky and whisky-based drinks are concerned, only Scotch whisky and Scotch whisky-based drinks produced in Scotland.

---



(260) AM 2024 122909 A  
 (800) 1730516  
 (151) 2023 03 25  
 (891) 2023 03 25  
 (731) Limited Liability Company, "Management Company of, the Novard Group"  
 Institutskiy per., 16; RU-127030 Moscow,  
 Russian Federation

(540)

## The only constant is change

(591) Black, white

(511)

16 – Paper and cardboard; printed matter; bookbinding material; photographs [printed]; stationery; plastic materials for packaging; printing fonts; printing blocks; plastic bags for packaging; baggage claim check tags of paper; tissue paper; school supplies; pen cases; pencil cases; boxes of cardboard or paper; gift boxes of paper; bags [envelopes, pouches] of paper or plastics, for merchandise packaging; collapsible cardboard boxes; gift boxes of cardboard.

18 – Leather and imitations of leather; animal skins; traveling trunks; suitcases; umbrellas and parasols; walking sticks; whips, harness and saddlery; collars for animals; costumes for animals; business card cases; wallets; bags; traveling bags; haversacks; backpacks; purses; vanity cases, not fitted; hat boxes of leather; boxes of leather or leatherboard; cases made of leather or leatherboard; travelling sets [leatherware]; pouch baby carriers; garment bags for travel; beach bags; sports bags; bags for campers; key cases; umbrella covers; document cases; boot bags for travel; dog shoes.

25 – Clothing; footwear; headwear; underwear; headbands [clothing]; belts [clothing]; sleep masks; money belts [clothing]; scarves; shawls; ponchos; sports shoes; wooden shoes; galoshes; stockings; socks; stocking suspenders; tights; gaiters; leg warmers; gloves [clothing]; suspenders; shower caps; bathing caps; dressing gowns; ear muffs [clothing]; muffs [clothing]; fittings of metal for footwear; soles for footwear; non-slipping devices for footwear; tips for footwear; leisure wear; housecoats; flat shoes; pajamas; slipper socks; welts for shoes; footwear uppers; heel-pieces for footwear; heel protectors for shoes.

35 – Advertising; online advertising on a computer network; radio advertising; television advertising; business management services; business administration; sales promotions at point of purchase or sale, for others; promoting the goods and services of others over the Internet; business management of wholesale outlets; wholesale and retail store services; online retail services relating to cosmetics; wholesale services for clothing; retail services for clothing; wholesale services for footwear; retail services for footwear; wholesale services relating to bags; retail services related to bags; wholesale services for jewelry; retail services

for jewelry; arranging and conducting of trade fairs; organization of exhibitions for commercial or advertising purposes; publication of advertising texts; demonstration of goods; administrative processing of purchase orders; procurement services for others [purchasing goods and services for other businesses]; compilation and systemization of information into computer databases.

(260) AM 2024 122910 A

(800) 1730525

(151) 2023 01 17

(891) 2023 01 17

(731) Guangzhou Haojin Motorcycle Co., Ltd.  
 Shangshao Industrial District, Lixin Road,  
 Xintang Town, Zengcheng, Guangzhou City;  
 511340 Guangdong Province, China

(540)

 **LETBE**

(591) Black, white

(531) 26.13.25; 27.05.01

(511)

12 – Motor tricycles; wheel hubs; shock absorbers for motorcycles; engines for land vehicles; motorcycles; gearing for land vehicles; transmission chains for land vehicles; rearview mirrors; motorcycle engines; motor scooters; engines for land vehicles; transmission mechanisms for land vehicles; motorcycle tail bag; air pumps for two-wheeled motorcycles or bicycles; automobile engines; cars; electric motorcycles; mopeds; electric vehicles; motorcycle frames.

42 – Technological research; vehicle roadworthiness testing; industrial design; platform as a service [PaaS]; software as a service [SaaS]; rental of computer software; providing virtual computer systems through cloud computing; conversion of data or documents from physical to electronic media; computer software design; design and development of software in the field of mobile applications; research in the field of artificial intelligence; development of computer platforms; computer system design; computer system analysis; computer systems integration services.

(260) AM 2024 122923 A

(800) 1092875

(151) 2011 08 02

(891) 2023 04 17

(731) ZSG GROUP PTE. LTD.  
 71, Ubi Crescent.; Excalibur Centre, #06-09,  
 Singapore 408571, Singapore

(540)

**ZSG**

(591) Black, white

(511)

7 – Self-oiling bearings; ball-bearings; bearing brackets for machines; pulleys; bearings (parts of machi-

nes); bearings for transmission shafts; roller bearings; anti-friction bearings for machines; ball rings for bearings.

12 – Air pumps (vehicle accessories); shock absorbing springs for vehicles; vehicle wheels; automobile chains; hubs for vehicle wheels; motors, electric, for land vehicles; vehicle bumpers; axles for vehicles; clutches for land vehicles; gearing for land vehicles; vehicle suspension springs; driving motors for land vehicles; bands for wheel hubs; brake segments for vehicles.

(260) AM 2024 122924 A

(800) 1101307

(151) 2011 10 27

(891) 2023 04 18

(731) Park Lee, Chuen Wook

Balmes, 55 – Bajos; E-08007 Barcelona, Spain

(540)

**DAE DO**

(591) Black, white

(511)

9 – Protective helmets for sports use.

25 – Clothing, footwear, headgear.

28 – Gymnastic and sporting articles not included in other classes.

(260) AM 2024 122998 A

(800) 1731023

(151) 2023 01 31

(891) 2023 01 31

(731) ERC DISTRIBUTION AG

Poststrasse 14, CH-6302 Zug, Switzerland

(540)

**EE**

(591) Red

(531) 27.05.17; 27.05.21; 27.07.17; 29.01.01

(511)

9 – Scientific, research, navigation, surveying, photographic, cinematographic, audiovisual, optical, weighing, measuring, signalling, detecting, testing, inspecting, life-saving and teaching apparatus and instruments; apparatus and instruments for conducting, switching, transforming, accumulating, regulating or controlling the distribution or use of electricity; apparatus and instruments for recording, transmitting, reproducing or processing sound, images or data; recorded and downloadable media, computer software, blank digital or analogue recording and storage media; cash registers, calculating devices; computers and computer peripheral devices; cordless telephones; smartphones; mobile telephones, cellular phones; holders adapted for mobile telephones and smartphones; in-car telephone handset cradles; headphones; sleeves for laptops; covers for tablet computers; auto-

mated teller machines [ATM]; steering devices, automatic, for vehicles; automatic indicators of low pressure in vehicle tires; parking meters; aerometers; asbestos clothing for protection against fire; asbestos gloves for protection against accidents; asbestos screens for firemen; actinometers; electric accumulators; electric accumulators for vehicles; acoustic couplers; alidades; altimeters; ammeters; anemometers; anodes; anode batteries; antennas; anticathodes; apparatus to check franking; electric devices for remote ignition; X-ray producing apparatus and installations not for medical use; fermentation apparatus for laboratory use; remote control apparatus; testing apparatus not for medical use; apertometers [optics]; acidimeters for batteries; apparatus and instruments for astronomy; audiovisual teaching apparatus; luminous beacons; lighting ballasts; accumulator jars; barometers; ignition batteries; electric batteries; balances [steelyards]; betatrons; binoculars; computer memory devices; integrated circuits; digital notepads; fire hose nozzles; connected bracelets [measuring instruments]; bullet-proof vests; marking buoys; signaling buoys; directional compasses; scales; weighbridges; tone arms for record players; plumb bobs; vacuum gauges; variometers; solenoid valves [electromagnetic switches]; shoes for protection against accidents, irradiation and fire; terminals [electricity]; electric plugs; circuit breakers [electricity]; switchboxes [electricity]; gauges; measuring instruments; measuring apparatus; electric measuring apparatus; measures; current rectifiers; high-frequency apparatus; flow meters; branch boxes [electricity]; video screens; video cameras; video cassettes; video telephones; telephone answering machines; photographic viewfinders; viscosimeters; peepholes [magnifying lenses] for doors; electric switches; fire extinguishers; diving suits; fiber-optic cables; voltmeters; battery chargers; ear plugs for divers; gas analysis apparatus; gasometers [measuring instruments]; electric discharge tubes other than for lighting; galena crystals [detectors]; galvanic batteries; galvanic cells; galvanometers; hands-free kits for telephones; heliographic apparatus; surveying apparatus and instruments; weights; hygrometers; sonars; hydrometers; needles for record players; holograms; sound recording disks; lightning conductors; sounding leads; buzzers; loudspeakers; range finders (telemeters); decompression chambers; densimeters; densitometers; detectors; smoke detectors; counterfeit coin detectors; signal bells; electric alarm bells; bells [warning apparatus]; mirrors for inspecting work; mirrors [optics]; dictating machines; dynamometers; floppy disks; magnetic disks; optical disks; disk drives [for computers]; juke boxes for computers; telerupters; distillation apparatus for scientific use; diffraction apparatus [microscopy]; breathing apparatus for underwater swimming; breathing apparatus, except for artificial respiration; diagnostic apparatus, not for medical use; slide projectors; diaphragms for scientific apparatus; diaphragms [photography]; DNA chips; adding ma-

chines; dosage dispensers [dosimeters]; luminous or mechanical road signs; jigs [measuring instruments]; fuse wires; choking coils [impedance]; ovens for laboratory use; screens [photography]; exposure meters [light meters]; electrified rails for mounting spot lights; electric installations for the remote control of industrial operations; electric door bells; electro-dynamic apparatus for the remote control of railway points; electro-dynamic apparatus for the remote control of signals; electrolyzers; electromagnetic coils; downloadable electronic publications; electronic tags for goods; electronic pocket translators; electronic collars to train animals; electronic pens [visual display units]; electronic notice boards; epidiascopes; ergometers; magnetic identification bracelets; electric locks; electronic agendas; voltage surge protectors; fuses; chargers for electronic cigarettes; protective suits for aviators; protection devices against X-rays, not for medical use; protective films adapted for computer screens; head guards for sports; mouth guards for sports; balancing devices; acoustic [sound] alarms; sound reproduction apparatus; sound recording carriers; sound recording apparatus; sound transmission apparatus; acoustic conduits; surveying instruments; wire connectors [electricity]; junction boxes [electricity]; couplers [data processing equipment]; connections for electric lines; electric couplings; connectors [electricity]; luminous signs; probes for scientific use; sounding apparatus and machines; readers [data processing equipment]; bar code readers; inverters [electricity]; pressure indicators; slope indicators; incubators for bacteria culture; interfaces [for computers]; ionization apparatus not for the treatment of air or water; spark-guards; electricity conduits; electric cables; coaxial cables; calipers; calibrating rings; calorimeters; pocket calculators; teeth protectors; capillary tubes for laboratory use; holders for electric coils; video game cartridges; carriers for dark plates [photography]; cassette players; cathodes; cathodic anti-corrosion devices; mouse pads; acid hydrometers; exposed cinematographic films; cinematographic cameras; push buttons for bells; covers for electric outlets; encoded magnetic cards; magnetic encoders; electric collectors; dog whistles; compact disks [audio-video]; optical compact disks; comparators; marine compasses; joysticks for use with computers, other than for video games; computer keyboards; computer printers; magnetic tape units [for computers]; recorded computer programs; electric apparatus for commutation; electrical condensers [capacitors]; optical condensers; electric contacts; contact lenses; boiler control instruments; correcting lenses [optics]; accumulator boxes; cabinets for loudspeakers; cosmographic instruments; clothing for protection against fire; laboratory pipettes; pedometers; graduated compasses; azimuth instruments; laboratory trays; logs [measuring instruments]; lasers not for medical use; lactodensimeters; lactometers; darkroom lamps [photography]; eyeglass chains; optical lenses; rulers [measuring instruments];

carpenters' rules; flashing lights [light signals]; flashlights [photography]; magic lanterns; optical lamps; counters; revolution counters; distance recording apparatus; mileage recorders for vehicles, kilometer recorders for vehicles; slide-rules; magnifying glasses [optics]; magnets; decorative magnets; magnetic wires; magnetic tapes; videotapes; crash test dummies; resuscitation mannequins [teaching apparatus]; pressure gauges; solderers' helmets; protective masks, not for medical use; diving masks; mathematical instruments; materials for electricity mains [wires, cables]; money counting and sorting machines; material testing instruments and machines; weighing machines; furniture especially made for laboratories; megaphones; portable media players; metal detectors for industrial or military use; meteorological instruments; meteorological balloons; rules [measuring instruments]; dressmakers' measures; metronomes; mechanisms for counter-operated apparatus; mechanical signs; mouse [computer peripheral]; insulated copper wire; micrometers; micrometer screws for optical instruments; microprocessors; microscopes; microtomes; microphones; surveying chains; measuring spoons; modems; monitors [computer programs]; monitors [computer hardware]; devices for editing cinematographic films; nautical apparatus and instruments; marine depth finders; naval signaling apparatus; coin-operated musical automata [juke boxes]; animated cartoons; junction sleeves for electric cables; electric coils; inductors [electricity]; navigation apparatus for vehicles [on-board computers]; navigational instruments; teaching apparatus; knee-pads for workers; semiconductors; screw-tapping gauges; chargers for electric accumulators; neon signs; identification threads for electric wires; thread counters; surveyors' levels; leveling instruments; verniers; magnetic data media; optical data media; nose clips for divers and swimmers; notebook computers; objectives [lenses] [optics]; lenses for astrophotography; limiters [electricity]; sheaths for electric cables; egg candler; electrified fences; clothing for protection against fire; clothing for protection against accidents, irradiation and fire; special clothing for laboratories; ozonizers [ozonators]; octants; spectacles [optics]; sunglasses; goggles for sports; eyepieces; ohmmeters; electric resistances; eyeglass frames; optical glass; eyewear; optical readers; optical apparatus and instruments; sighting telescopes for firearms; protection devices for personal use against accidents; oscillographs; cleaning apparatus for sound recording discs; selfie sticks [hand-held monopods]; safety restraints other than for vehicle seats or sports equipment; pince-nez; stills for laboratory experiments; intercommunication apparatus; speaking tubes; transmitters [telecommunication]; transmitters of electronic signals; mechanisms for coin-operated apparatus; coin-operated mechanisms for television sets; oxygen transvasing apparatus; switchboards; commutators; spools [photography]; circuit breakers; electric converters; periscopes; punched card machines for offices; furna-

ces for laboratory use; drying racks [photography]; wrist rests for use with computers; pyrometers; egg timers [sandglasses]; planimeters; plane tables [surveying instruments]; plates for batteries; silicon boards for integrated circuits; printed circuit boards; sound recording strips; exposed films; plotters; fire engines; fire escapes; fire pumps; fire alarms; fire boats; fire beaters; fire hoses; levels [instruments for determining the horizontal]; electric loss indicators; quantity indicators; wind socks for indicating wind direction; petrol gauges; gasoline gauges; water level indicators; sprinkler systems for fire protection; polarimeters; vehicle breakdown warning triangles; amplifying lamps; amplifiers; letter scales; prisms [optics]; receivers [audio, video]; air analysis apparatus; food analysis apparatus; distance measuring apparatus; appliances for measuring the thickness of leather; apparatus for measuring the thickness of skins; speed checking apparatus for vehicles; time recording apparatus; instruments containing eyepieces; weighing apparatus and instruments; Global Positioning System [GPS] apparatus; particle accelerators; railway traffic safety appliances; speed measuring apparatus [photography]; invoicing machines; video recorders; tape recorders; apparatus for changing record player needles; data processing apparatus; film cutting apparatus; test tubes; electric conductors; electric wires; telephone wires; ducts [electricity]; record players; compact disc players; DVD players; computer game programs; downloadable computer programs; recorded computer operating programs; software [recorded programs]; projection apparatus; projection screens; transparencies [photography]; washing trays [photography]; respiratory masks other than for artificial respiration; anti-interference devices [electricity]; anti-glare glasses; anti-dazzle shades; electric installations for theft prevention; anti-theft warning apparatus; fire blankets; processors [central processing units]; rods for water diviners; plumb lines; control panels [electricity]; starter cables for motors; radar apparatus; vehicle radios; vacuum tubes [radio]; radiological apparatus for industrial use; radiology screens for industrial use; radio pagers; transmitting sets [telecommunication]; radios; radiotelegraphy sets; radiotelephony sets; masts for wireless aerials; frames for photographic transparencies; screens for photoengraving; abacuses; calculating machines; voting machines; walkietalkies; electric regulating apparatus; stage lighting regulators; voltage regulators for vehicles; electric light regulators [dimmers]; speed regulators for record players; reducers [electricity]; leveling staffs [surveying instruments]; marking gauges [joinery]; electric relays; cell phone straps; X-ray apparatus not for medical use; exposed x-ray films; X-ray tubes not for medical use; X-ray photographs, other than for medical use; rheostats; respirators for filtering air; retorts; refractometers; refractors; grids for batteries; downloadable ringtones for mobile telephones; demagnetizing apparatus for magnetic tapes; identification she-

aths for electric wires; magnetic identity cards; distribution consoles [electricity]; distribution boxes [electricity]; distribution boards [electricity]; slide calipers; mercury levels; diving gloves; gloves for protection against X-rays for industrial use; gloves for protection against accidents; horns for loudspeakers; life-saving apparatus and equipment; safety tarpaulins; life buoys; life jackets; life-saving rafts; life belts; safety nets; whistle alarms; reflective articles for wear for the prevention of accidents; reflective safety vests; optical fibers [light conducting filaments]; blueprint apparatus; light-emitting diodes [LED]; light-emitting electronic pointers; filters for photography; traffic-light apparatus [signaling devices]; sextants; non-explosive fog signals; luminous or mechanical signals; signal lanterns; alarms; signaling whistles; signaling panels, luminous or mechanical; sirens; nets for protection against accidents; scanners [explorers] [data processing equipment]; spectacle lenses; graduated glassware; smart watches; smart glasses; salinometers; solar batteries; spectrograph apparatus; spectroscopes; spirit levels; alcohol meters; speed indicators; monitoring apparatus other than for medical use; observation instruments; shutter releases [photography]; personal stereos; stereoscopes; stereoscopic apparatus; head cleaning tapes; sulfimeters; satellites for scientific use; satellite navigation apparatus; drying apparatus for photographic prints; spherometers; printed circuits; chips [integrated circuits]; time clocks [time recording devices]; taximeters; tachometers; television apparatus; telegraphs [apparatus]; teleprinters; telegraph wires; telescopes; teleprompters; portable telephones; telephone apparatus; telephone transmitters; telephone receivers; temperature indicators; theodolites; heat regulating apparatus; thermionic tubes; thermionic valves; thermometers, not for medical use; thermostats; thermostats for vehicles; crucibles [laboratory]; pressure measuring apparatus; pressure indicator plugs for valves; totalizers; precision balances; precision measuring apparatus; transformers [electricity]; transponders; protractors [measuring instruments]; step-up transformers; simulators for the steering or control of vehicles; retorts' stands; tripods for cameras; triodes; sounding lines; urinometers; downloadable image files; downloadable music files; facsimile machines; apparatus and instruments for physics; filters for ultraviolet rays for photography; filters for respiratory masks; wearable activity trackers; USB flash drives; fluorescent screens; cameras [photography]; flash-bulbs [photography]; glazing apparatus for photographic prints; drainers for use in photography; photovoltaic cells; shutters [photography]; enlarging apparatus [photography]; photocopyers; darkrooms [photography]; photometers; phototelegraphy apparatus; containers for contact lenses; eyeglass cases; cases for smartphones; containers for microscope slides; cases especially made for photographic apparatus and instruments; wavemeters; chemistry apparatus and instruments; chro-

matography apparatus for laboratory use; chronographs [time recording apparatus]; laboratory centrifuges; centering apparatus for photographic transparencies; cyclotrons; saccharometers; automatic time switches; frequency meters; hard covers for smartphones; eyeglass cords; riding helmets; protective helmets for sports; protective helmets; sound locating instruments; workmen's protective face-shields; armatures [electricity].

11 – Apparatus and installations for lighting, heating, cooling, steam generating, cooking, drying, ventilating, water supply and sanitary purposes; Lamp shades; electric autoclaves for cooking; aquarium lights; aquarium heaters; aquarium filtration apparatus; steam accumulators; heat accumulators; anti-glare devices for vehicles [lamp fittings]; defrosters for vehicles; hot air apparatus; book sterilization apparatus; air deodorizing apparatus; loading apparatus for furnaces; tanning beds; apparatus for dehydrating food waste; ionization apparatus for the treatment of air or water; beverage-cooling apparatus; air cooling devices; gas scrubbing apparatus; oil-scrubbing apparatus; desiccating apparatus; coffee roasters; whirlpool-jet apparatus; drying apparatus for fodder and forage; hand-drying apparatus for washrooms; water filtering apparatus; swimming pool chlorinating apparatus; grills [cooking appliances]; steam facial apparatus [saunas]; heating and cooling apparatus for dispensing hot and cold beverages; air purification apparatus and machines; water softening apparatus and installations; light-emitting diode [LED] lighting apparatus; lighting apparatus and installations; underfloor heating apparatus and installations; hydromassage bath apparatus; acetylene generators; acetylene flares; acetylene burners; germicidal lamps for purifying air; barbecues; bidets; laundry room boilers; washing coppers; bathtubs; spa baths; electric cooktops; electric waffle irons; bicycle lights; fans [air-conditioning]; fans [parts of air-conditioning installations]; electric fans for personal use; ventilation [air-conditioning] installations for vehicles; ventilation [air-conditioning] installations and apparatus; kilns; evaporators; extractor hoods for kitchens; ventilation hoods; ventilation hoods for laboratories; fabric steamers; pressurized water tanks; water conduits installations; pipes [parts of sanitary installations]; water intake apparatus; water heaters; water purification installations; water purifying apparatus and machines; water supply installations; water flushing installations; flushing tanks; carbon for arc lamps; gas condensers other than parts of machines; gas boilers; gas burners; gas lamps; gas scrubbers [parts of gas installations]; microbubble generators for baths; hydrants; fairy lights for festive decoration; wicks adapted for oil stoves; hearths; rotisseries; hot water bottles; warming pans; foot warmers, electric or non-electric; bed warmers; electric food dehydrators; disinfectant apparatus; disinfectant apparatus for medical use; deodorizing apparatus not for personal use; fog machines; chimney flues; disinfectant apparatus

for dispensing solutions into water pipes for sanitary installations; stills; distillation apparatus; distillation columns; arc lamps; showers; shower cubicles; electric beverage urns; flues for heating boilers; feeding apparatus for heating boilers; immersion heaters; friction lighters for igniting gas; gas lighters; safety accessories for water or gas apparatus and pipes; chimney blowers; humidifiers for central heating radiators; air humidifiers; coils [parts of distilling, heating or cooling installations]; furnace ash boxes; drip irrigation emitters [irrigation fittings]; electric appliances for making yogurt; electric coffee machines; coffee capsules, empty, for electric coffee machines; heating apparatus; lava rocks for use in barbecue grills; domestic fireplaces; hot air ovens; electrically heated carpets; oxyhydrogen burners; Chinese lanterns; pocket warmers; level controlling valves in tanks; air valves for steam heating installations; electric blankets, not for medical use; furnace grates; air conditioners for vehicles; taps for pipes and pipelines; mixer taps for water pipes; taps; radiator caps; portable forges; electric cooking utensils; cooking apparatus and installations; cooking rings; kitchen ranges [ovens]; cookers (cooking stoves); laboratory lamps; laboratory burners; lamps for lighting; curling lamps; curing lamps not for medical use; nail lamps; electric lamps; lamp chimneys; electric lights for Christmas trees; safety lamps; street lamps; lights for automobiles; lanterns for lighting; lights for vehicles; candle lanterns; electric flashlights; headlamps; chandeliers; oil lamps; ice-cream making machines; electric pounded rice cake making machines for household use; electric soy milk making machines; ice-cube machines and apparatus; microwave ovens [cooking apparatus]; microwave ovens for industrial use; freezers; motorcycle lights; multi-cookers; air fryers; foot muffs, electrically heated; heating apparatus for defrosting windows of vehicles; heating elements; hot plates; heaters for baths; electric heaters for feeding bottles; heaters for heating irons; air reheaters; brackets for gas burners; structural plates for ovens; electric heating filaments; magnesium filaments for lighting; filaments for electric lamps; luminous house numbers; heating plates; stoves [heating apparatus]; fumigation apparatus not for medical use; hot air bath fittings; electrically heated clothing; hot water heating installations; heating installations; heaters for vehicles; electric heating apparatus; heating apparatus for solid, liquid or gaseous fuels; heating boilers; kiln furniture [supports]; dehumidifiers; coolers for furnaces; electric cool boxes; purification installations for sewage; burners; germicidal burners; burners for lamps; oil burners; electric food steamers; boilers other than parts of machines; steam boilers, other than parts of machines; pasteurizers; sockets for electric lamps; portable Turkish bath cabinets; electric coffee percolators; bakers' ovens; dental ovens; ovens, other than for laboratory use; diving lights; plate warmers; urinals; lamp globes; electric heating cushions, not for medical use; automatic wa-

tering installations; watering machines for agricultural purposes; polymerization installations; electric tortilla presses; heated display cabinets; cooling apparatus and installations; electric vacuum cookers; electric couscous cookers; electric chocolate fountains; USB-powered hand warmers; air-conditioning apparatus; glue-heating appliances; roasting jacks; USB-powered cup heaters; searchlights; washers for water taps; anti-splash tap nozzles; radiators [heating]; electric radiators; central heating radiators; sinks; refining towers for distillation; heat regenerators; regulating accessories for water or gas apparatus and pipes; regulating and safety accessories for water apparatus; regulating and safety accessories for gas apparatus; regulating and safety accessories for gas pipes; dampers [heating]; lamp reflectors; vehicle reflectors; roasting spits; incandescent burners; expansion tanks for central heating installations; sanitary apparatus and installations; bath fittings; standard lamps; lighting apparatus for vehicles; light bulbs; electric light bulbs; directional lights for bicycles; light projectors; light diffusers; toilet seats; bathtubs for sitz baths; hydroponic growing systems; lamp glasses; incinerators; solar furnaces; thermal-conversion solar collectors [heating]; alcohol burners; ceiling lights; sterilizers; water sterilizers; air sterilizers; clean chambers [sanitary installations]; electric laundry dryers; malt roasters; tobacco roasters; fruit roasters; air dryers; drying apparatus and installations; electric tajines; heat pumps; heat guns; heat exchangers other than parts of machines; electric thermo-pots; thermostatic valves [parts of heating installations]; floor lamps; toasters; lampshade holders; boiler pipes [tubes] for heating installations; electric discharge tubes for lighting; luminous tubes for lighting; toilets [WC]; portable toilets; ultraviolet ray lamps not for medical use; wash-hand basins [parts of sanitary installations]; toilet bowls; automatic ash conveyor installations; bath installations; steam generating installations; desalination plants; air conditioning installations; installations for processing nuclear fuel and nuclear moderating material; water cooling installations; milk cooling installations; cooling installations for liquids; cooling installations for tobacco; lighting installations for air vehicles; water distribution installations; sauna bath installations; air filtering installations; flaming torches; flare stacks for use in the oil industry; headlights for automobiles; vehicle headlights; fittings, shaped, for ovens; hair dryers; air filters for air conditioning; filters for drinking water; fountains; ornamental fountains; electric deep fryers; oven fittings made of fire clay; bread baking machines; bread-making machines; refrigerators; refrigerators, cooling apparatus and freezers for medical storage purposes; refrigerating apparatus and machines; refrigerating containers; refrigerating chambers; refrigerating display cabinets; refrigerating apparatus and installations; refrigerating cabinets; chromatography apparatus for industrial use; lamp mantles; electric kettles; electric wine cellars; miners' lamps;

electrically heated socks; nuclear reactors; chemically activated heating packets for warming feet, not for medical use; chemically activated cooling packets for cooling feet, not for medical use; chemically activated heating packets for warming hands, not for medical use; chemically activated cooling packets for cooling hands, not for medical use; electric heating pads; chemically heated pads, not for medical use; electrically heated boots.

12 – Vehicles; Apparatus for locomotion by land, air or water; motor buses; motor coaches; gyrocopters; lorries; self-driving cars; automobiles; sports cars; ambulances; concrete mixing vehicles; automobile hoods; automobile bodies; automobile chains; cigar lighters for automobiles; automobile chassis; automobile tires; autonomous underwater vehicles for seabed inspections; refrigerated vehicles; camping cars; dirigible balloons (airships); hot-air balloons; shock absorbers for automobiles; suspension shock absorbers for vehicles; anti-glare devices for vehicles; luggage carriers for vehicles; ski carriers for automobiles; bumpers for automobiles; vehicle bumpers; tires for vehicle wheels; bands for wheel hubs; barges; launches; brake shoes for vehicles; safety seats for children, for vehicles; driverless cars [autonomous cars]; side view mirrors for vehicles; tailboard lifts [parts of land vehicles]; caravans; buffers for railway rolling stock; mine cars; tilt trucks; railway carriages; sleeping cars; dining cars; refrigerated railway wagons; trucks with a crane feature incorporated; bicycles; electric bicycles; bicycle kickstands; bicycle brakes; bicycle motors; bicycle bells; dress guards for bicycles; bicycle handlebars; bicycle wheels; bicycle chains; bicycle pedals; bicycle frames; bicycle saddles; bicycle cranks; gears for bicycles; bicycle tires; tubeless tires for bicycles; bicycle mudguards; helicopters; push-chair hoods; oars for boats; paddles for canoes; sculls; forklift trucks; handling carts; bogies for railway cars; hose carts; casting carriages; tilting-carts; two-wheeled trolleys; cleaning trolleys; shopping trolleys; fishing trolleys; trolleys; carts; roll cage trolleys; scooters for people with reduced mobility; windows for vehicles; lug nuts for vehicle wheels; vehicle brakes; screws [propellers] for ships; helicams; hydraulic circuits for vehicles; seaplanes; torque converters for land vehicles; self-balancing boards; self-balancing scooters; ski lifts; hydroplanes; golf carts [vehicles]; racing cars; bellows for articulated buses; screw-propellers; screw-propellers for boats; treads for vehicles [roller belts]; doors for vehicles; engines for land vehicles; shock absorbing springs for vehicles; vehicle joysticks; diving bells; rearview mirrors; funnels for locomotives; funnels for ships; brake disks for vehicles; handcars; military drones; delivery drones; camera drones; civilian drones; tow trucks; horse-drawn carriages; electric motors for land vehicles; railway couplings; sun-blinds adapted for automobiles; spoke clips for wheels; horns for vehicles; dredgers [boats]; trailer hitches for vehicles; couplings for land vehic-

les; portholes; cars for cable transport installations; inner tubes for bicycle tires; inner tubes for pneumatic tires; canoes; hoods for vehicle engines; hoods for vehicles; crankcases for land vehicle components other than for engines; ejector seats for aircraft; rudders; steering wheels for vehicles; kick sledges; valves for vehicle tires; clips adapted for fastening automobile parts to automobile bodies; hub caps; mine cart wheels; vehicle wheels; casters for carts [vehicles]; brake pads for automobiles; pushchairs; pet strollers; baby carriages; aerial conveyors; ships; gear boxes for land vehicles; ships' hulls; space vehicles; rowlocks; baskets adapted for bicycles; fenders for ships; caps for vehicle fuel tanks; cleats [nautical]; chairlifts; vehicle seats; wheelchairs; vehicle bodies; tipping bodies for trucks; anti-skid chains; adhesive rubber patches for repairing inner tubes; airplanes; amphibious airplanes; aircraft; locomotives; hubs for bicycle wheels; hubs for vehicle wheels; steering devices for ships; self-balancing electric unicycles; engine mounts for land vehicles; mopeds; motor scooters; motorcycle kickstands; motorcycle engines; motorcycle handlebars; side cars; motorcycle chains; motorcycle frames; motorcycle saddles; motorcycles; freewheels for land vehicles; fitted footmuffs for strollers; fitted footmuffs for baby carriages; clutches for land vehicles; repair outfits for inner tubes; brake linings for vehicles; pumps for bicycle tires; vehicle upholstery; rims for bicycle wheels; vehicle wheel rims; axles; axle journals; parachutes; safety belts for vehicle seats; security harness for vehicle seats; gearing for land vehicles; caissons [vehicles]; tipping apparatus [parts of railway wagons]; vehicle suspension springs; headrests for vehicle seats; vehicle running boards; tire mousse inserts; aeronautical apparatus, machines and devices; air pumps [vehicle accessories]; air bags [safety devices for automobiles]; signal arms for vehicles; casings for pneumatic tires; sprinkling trucks; pontoons; ashtrays for automobiles; ferry boats; non-skid devices for vehicle tires; anti-theft devices for vehicles; trailers [vehicles]; bicycle trailers; trailers for transporting bicycles; balance weights for vehicle wheels; anti-theft alarms for vehicles; fitted pushchair mosquito nets; spars for ships; jet engines for land vehicles; reduction gears for land vehicles; robotic cars; disengaging gear for boats; rolling stock for railways; rolling stock for funicular railways; propulsion mechanisms for land vehicles; scooters [vehicles]; sleighs [vehicles]; rescue sleds; brake segments for vehicles; reversing alarms for vehicles; luggage nets for vehicles; windshields; windshield wipers; headlight wipers; garbage trucks; snowmobiles; sleeping berths for vehicles; spokes for bicycle wheels; vehicle wheel spokes; spoilers for vehicles; inclined ways for boats; treads for retreading tires; boat hooks; panniers adapted for bicycles; saddlebags adapted for bicycles; bags designed for strollers; panniers adapted for motorcycles; wheelbarrows; telfer railways [cable cars]; torsion bars for vehicles; tractors; tramcars;

transmission mechanisms for land vehicles; transmission shafts for land vehicles; transmission chains for land vehicles; military vehicles for transport; armored vehicles; vehicles for locomotion by land, air, water or rail; electric vehicles; remotely operated vehicles for underwater inspections; remote-controlled vehicles other than toys; air cushion vehicles; all-terrain vehicles; tricycles; delivery tricycles; amphibious vehicles; cup holders for vehicles; turbines for land vehicles; towing trucks; driving motors for land vehicles; drive chains for land vehicles; cable transport apparatus and installations; flanges for railway wheel tires; funiculars; vans [vehicles]; undercarriages for vehicles; boats; pushchair covers; covers for vehicle steering wheels; spare wheel covers; seat covers for vehicles; saddle covers for bicycles; saddle covers for motorcycles; vehicle covers [shaped]; vehicle chassis; connecting rods for land vehicles other than parts of motors and engines; tires for snowplows; tires; solid tires for vehicle wheels; spikes for tires; davits for watercraft; timbers [frames] for ships; vehicle bonnet pins; mudguards; masts for boats; yachts.

16 – Paper and cardboard; Photographs; stationery and office requisites, except furniture; drawing materials and materials for artists; plastic sheets, films and bags for wrapping and packaging; printing type, printing blocks; fountain pens; address plates for addressing machines; address stamps; addressing machines; aquarelles; albums; almanacs; bookbinding apparatus and machines [office equipment]; papers for painting and calligraphy; architects' models; atlases; banknotes; paper bows, other than haberdashery or hair decorations; name badges [office requisites]; baggage claim check tags of paper; tags for index cards; biological samples for use in microscopy [teaching materials]; forms, printed; glitter for stationery; pads [stationery]; drawing pads; wristbands for the retention of writing instruments; pamphlets; booklets; plastic bubble packs for wrapping or packaging; rollers for typewriters; house painters' rollers; composing sticks; signboards of paper or cardboard; sewing patterns; viscose sheets for wrapping; greeting cards; drawer liners of paper, perfumed or not; cream containers of paper; waxed paper; charcoal pencils; newspapers; electrotypes; hectographs; geographical maps; shields [paper seals]; toilet paper; bunting of paper; histological sections for teaching purposes; modeling clay; polymer modeling pastes; terrestrial globes; drawing sets; engraving plates; engravings; graphic representations; graphic reproductions; graining combs; pencil leads; rubber erasers; elastic bands for offices; adhesive tape dispensers [office requisites]; sleeved bibs of paper; bibs of paper; diagrams; punches [office requisites]; advertisement boards of paper or cardboard; galley racks [printing]; typewriters [electric or non-electric]; printed matter; printed publications; graphic prints; prints [engravings]; labels of paper or cardboard; hand labeling appliances; magazines [periodicals]; bookmarkers; notebooks; money clips; paper

clasps; pen clips; clips for name badge holders [office requisites]; moisteners [office requisites]; moisteners for gummed surfaces [office requisites]; binding strips [bookbinding]; erasing products; writing board erasers; transfers (decalcomanias); writing or drawing books; handwriting specimens for copying; non-electric credit card imprinters; newsletters; calendars; tracing patterns; tracing paper; tracing cloth; gums [adhesives] for stationery or household purposes; ink stones [ink reservoirs]; framed or unframed paintings [pictures]; announcement cards [stationery]; trading cards other than for games; cards; wood pulp board [stationery]; cardboard tubes; binders [office requisites]; catalogs; flower-pot covers of paper; manifolds [stationery]; tickets; typewriter keys; glue for stationery or household purposes; adhesive bands for stationery or household purposes; adhesive tapes for stationery or household purposes; gluten [glue] for stationery or household purposes; adhesives [glues] for stationery or household purposes; books; bookends; comic books; coloring books; drawing pins; thumbtacks; envelopes [stationery]; carbon paper; copying paper [stationery]; tracing needles for drawing purposes; duplicators; correcting fluids [office requisites]; correcting ink [heliography]; cardboard hat boxes; boxes of paper or cardboard; drawing squares; spools for inking ribbons; retractable reels for name badge holders [office requisites]; tailors' chalk; chalk for lithography; spray chalk; drawing boards; drawing instruments; French curves; drawing pens; starch paste [adhesive] for stationery or household purposes; printed coupons; document laminators [for office use]; absorbent sheets of paper or plastic for foodstuff packaging; sheets of reclaimed cellulose for wrapping; humidity control sheets of paper or plastic for foodstuff packaging; musical greeting cards; flyers; drawing rulers; steel letters; lithographs; lithographic works of art; lithographic stones; paint trays; pictures; plastics for modeling; sealing compounds for stationery purposes; bookbinding material; modeling materials; packaging material made of starches; envelope sealing machines for offices; sealing machines for offices; franking machines for office use; pencil sharpening machines, electric or non-electric; plastic bags for pet waste disposal; garbage bags of paper or of plastics; modeling wax not for dental use; painters' easels; padding materials of cardboard or paper; stuffing of paper or cardboard; portable printing sets [office requisites]; teaching material except apparatus; stickers [stationery]; dental tray covers of paper; fingerstalls for office use; table runners of paper; writing cases [stationery]; writing cases [sets]; paper knives [letter openers]; paper creasers [office requisites]; handkerchiefs of paper; printed sheet music; numbering apparatus; wrappers [stationery]; protective covers for books; passport holders; sealing wafers; index cards [stationery]; indexes; arithmetical tables; oleographs; pencils; pencil lead holders; slate pencils; bottle wrappers of paper or cardboard; office requisites except furniture; office

perforators; etchings; etching needles; printers' blankets not of textile; bags for microwave cooking; bottle envelopes of paper or cardboard; conical paper bags; paper bags for sterilization of medical instruments; packing [cushioning, stuffing] materials of paper or cardboard; palettes for painters; pantographs [drawing instruments]; papier mâché; paper sheets [stationery]; electrocardiograph paper; paper for recording machines; paper for medical examination tables; wrapping paper; paper for radiograms; wood pulp paper; luminous paper; document files [stationery]; folders for papers; loose-leaf binders; ring binders; pastels [crayons]; modeling paste; pen cases; paintbrushes; painters' brushes; nibs; nibs of gold; steel pens; parchment paper; periodicals; pen wipers; perforated cards for Jacquard looms; seals [stamps]; writing chalk; writing materials; writing paper; writing slates; writing instruments; writing brushes; letter trays; trays for sorting and counting money; handbooks [manuals]; hand-rests for painters; stands for pens and pencils; photograph stands; paper coasters for decanters; mats of paper for beer glasses; stamp stands; desk mats; table mats of paper; place mats of paper; song books; posters; clipboards [office requisites]; plastic film for wrapping; extensible plastic cling film for palletization; animation cels; paper shredders for office use; stamp pads; banners of paper; canvas for painting; cloth for bookbinding; gummed cloth for stationery purposes; portraits; postcards; postage stamps; obliterating stamps; flags of paper; paperweights; vignetting apparatus; apparatus for mounting photographs; blot-ter; prospectuses; printers' galleys; ledgers [books]; drawing T-squares; isinglass for stationery or household purposes; rice paper; paper cutters [office requisites]; printed timetables; marking chalk; pens [office requisites]; marking pens [stationery]; pen holders; face towels of paper; hand towels of paper; self-adhesive tapes for stationery or household purposes; plans; tissues of paper for removing make-up; paper wipes for cleaning; table napkins of paper; cigar bands; tablecloths of paper; staples for offices; scrapers [erasers] for offices; paper clips; silver paper; steatite [tailor's chalk]; stapling presses [stationery]; composing frames [printing]; table linen of paper; balls for ball-point pens; typewriter ribbons; correcting tapes [office requisites]; paper ribbons, other than haberdashery or hair decorations; gummed tape [stationery]; paper tapes or cards for the recording of computer programs; barcode ribbons; bags [envelopes, pouches] of paper or plastics, for packaging; sealing wax; embroidery patterns; placards of paper or cardboard; fabrics for bookbinding; stationery; pencil sharpeners, electric or non-electric; transparencies [stationery]; stencils; stencils [stationery]; stencil plates; stencils for decorating food and beverages; mimeograph apparatus and machines; document holders (stationery); chalk holders; pencil holders; holders for checkbooks; holders for stamps [seals]; name badge holders [office requisites]; page holders; Indian inks;



chart pointers, non-electronic; paint boxes [for use in school]; figurines of papier mâché; statuettes of papier mâché; paper coffee filters; filter paper; filtering materials of paper; molds for modeling clays [artists' materials]; photoengravings; photographs [printed]; cases for stamps [seals]; chromolithographs [chromos]; compasses for drawing; numbers [type]; artists' watercolor saucers; inks; inkwells; inking sheets for duplicators; inking sheets for document reproducing machines; inking pads; inkstands; ink sticks; inking ribbons; square rulers for drawing; stencil cases; erasing shields; cabinets for stationery [office requisites]; school supplies; blackboards; cords for bookbinding; type [numerals and letters]; stamps [seals]; sealing stamps; washi [Japanese paper].

18 – Leather and imitations of leather; Animal skins and hides; luggage and transport bags; umbrellas and parasols; walking sticks; whips, harness and saddlery; collars, leashes and clothing for animals; card cases [wallets]; suitcases [carrying cases]; trunks [luggage]; attaché cases; key cases; vanity cases, not fitted; purses; wallets; chain mesh purses; reusable shopping bags; bags [envelopes, pouches] of leather for packaging; haversacks; music cases; parasols; leather straps; shoulder belts [straps] of leather; beach bags; traveling trunks; briefcases [leatherware]; rucksacks [backpacks]; suitcase handles; umbrella handles; traveling bags; net bags for shopping; cases of leather or leatherboard; sports bags; bags for climbers; sling bag for carrying babies; handbags; pouch baby carriers; wheeled shopping bags; garment bags for travel; travel sets [leatherware]; bags for campers; credit card cases [wallets]; umbrella covers; school bags.

20 – Furniture, mirrors, picture frames; Transport or storage containers not of metal; unworked or semi-worked bone, horn, whalebone or mother-of-pearl; moldings for picture frames; bamboo curtains; barrels not of metal; library shelves; pulleys of plastics for blinds; bolts, not of metal; casks of wood for decanting wine; casks, not of metal; identification bracelets not of metal; kennels for household pets; mooring buoys, not of metal; yellow amber; ambroid plates; ambroid bars; sideboards; loading pallets not of metal; empty tool chests not of metal; work benches; vice benches [furniture]; signboards of wood or plastic materials; cabinet work; high chairs for children; display stands; trolleys [furniture]; window fittings, not of metal; showcases [furniture]; jewelry organizer displays; wind chimes (decoration); clothes hangers; bag hangers not of metal; hat stands; valet stands; coat stands; towel stands [furniture]; non-electric fans for personal use; oil drainage containers, not of metal; packaging containers of plastic materials; containers, not of metal, for liquid fuel; tanks, not of metal nor masonry; slatted indoor blinds; comb foundations for beehives; beehives; newspaper display stands; nuts, not of metal; wardrobes; hooks, not of metal, for clothes rails; curtain hooks; clothes hooks, not of metal; screws, not of metal; screw tops, not of metal, for

bottles; door fittings not of metal; doors for furniture; wood ribbons; door bells, not of metal, non-electric; divans; chaises longues; fixed non-metallic dispensers for dog waste bags; towel dispensers, fixed, not of metal; bassinets; cots for babies; boards for hanging keys; ladders of wood or plastics; stair carpet rods; dowels, not of metal; screens for fireplaces [furniture]; shelving units; labels of plastic materials; troughs, not of metal, for mixing mortar; curtain tie-backs; plugs, not of metal; rivets, not of metal; sealing caps, not of metal; locks, not of metal, for vehicles; padlocks, other than electronic, not of metal; locks, other than electric, not of metal; bead curtains for decoration; indoor blinds [furniture]; Indoor blinds of paper; indoor blinds of woven wood; indoor blinds of textile materials; bottle closures, not of metal; window fasteners, not of metal; door bolts, not of metal; clips, not of metal, for cables and pipes; plastic clips for sealing bags; bumper guards for cots, other than bed linen; removable covers for sinks; removable mats for sinks; identity plates, not of metal; display boards; settees; jerrycans, not of metal; bedsteads of wood; curtain rails; curtain rods; plastic key cards, not encoded and not magnetic; index cabinets [furniture]; lecterns; mats for infant playpens; sleeping mats; animal claws; shoe pegs, not of metal; tent pegs not of metal; curtain rings; split rings, not of metal, for keys; water-pipe valves of plastic; drain traps [valves] of plastic; valves, not of metal, other than parts of machines; staves of wood; keys made of plastic materials; latches, not of metal; book rests; bookcases [furniture]; bottle caps not of metal; saw horses; bed casters not of metal; furniture casters, not of metal; chopping blocks [tables]; chests of drawers; containers, not of metal [storage, transport]; desks; animal hooves; coral; corks; bottle stoppers; fodder racks; boxes of wood or plastic materials; nesting boxes; wooden reels for yarn, silk, cord; winding spools, not of metal, non-mechanical, for flexible hoses; reels, not of metal, non-mechanical, for flexible hoses; fishing baskets; baskets not of metal; hampers [baskets] for the transport of items; taps, not of metal, for casks; drafting tables; closures, not of metal, for containers; binding screws, not of metal, for cables; chairs [seats]; hairdressers' chairs; armchairs; edgings of plastic for furniture; picture frame brackets; brackets, not of metal, for furniture; benches [furniture]; Moses baskets; beds for household pets; air beds, not for medical use; beds; hospital beds; playpens for babies; mannequins; massage tables; imitation tortoiseshell; water beds other than for medical use; air mattresses not for medical use; camping mattresses; mattresses; reusable baby-changing mats; furniture partitions of wood; furniture shelves; furniture of metal; honeycombs; mobiles [decoration]; door knockers, not of metal; meerschbaum; shells; inflatable furniture; inflatable publicity objects; shoulder poles [yokes]; legs for furniture; house numbers, not of metal, non-luminous; number plates, not of metal; loading gauge rods, not of metal, for railway wagons;

cask hoops, not of metal; decorations of plastic for foodstuffs; poles, not of metal; stuffed birds; stuffed animals; bed bases; office furniture; reeds [plaiting materials]; tortoiseshell; bakers' bread baskets; free-standing partitions [furniture]; dinner wagons [furniture]; saw benches [furniture]; writing desks; headrests [furniture]; transport pallets, not of metal; handling pallets, not of metal; trays, not of metal; stakes, not of metal, for plants or trees; feet for furniture; trestles [furniture]; umbrella stands; cask stands, not of metal; flower-pot pedestals; flower-stands [furniture]; stands for calculating machines; floating containers, not of metal; picture rods [frames]; wickerwork; mirror tiles; busts of wood, wax, plaster or plastic; costume stands; pillows; cushions; pet cushions; head positioning pillows for babies; air cushions, not for medical use; air pillows, not for medical use; bolsters; head support cushions for babies; anti-roll cushions for babies; shelves for storage; shelves for file cabinets; bathtub grab bars, not of metal; silvered glass [mirrors]; bedding except linen; letter boxes, not of metal or masonry; counters [tables]; window openers, not of metal, non-electric; door openers, not of metal, non-electric; window closers, not of metal, non-electric; door closers, not of metal, non-electric; stoppers, not of glass, metal or rubber; embroidery frames; sections of wood for beehives; plastic ramps for use with vehicles; registration plates, not of metal; horn, unworked or semi-worked; stag antlers; animal horns; crucifixes of wood, wax, plaster or plastic materials, other than jewelry; window pulleys, not of metal; curtain rollers; rattan; door handles, not of metal; knobs, not of metal; hand-held mirrors [toilet mirrors]; bins, not of metal; toy chests; corozo; dog kennels; straw plaits; straw mattresses; straw edgings; sofas; plaited straw, except matting; statuettes of wood, wax, plaster or plastic materials; statues of wood, wax, plaster or plastic materials; racks [furniture]; magazine racks; bottle racks; gun racks; plate racks; table tops; seats; bath seats for babies; shower chairs; seats of metal; step stools, not of metal; plugs [dowels], not of metal; scratching posts for cats; typing desks; standing desks; console tables [furniture]; tables of metal; wall-mounted baby-changing tables; portable desks; tables; carts for computers [furniture]; lap desks; tea carts; window stops, not of metal or rubber; door stops, not of metal or rubber; stepladders not of metal; oyster shells; mobile boarding stairs, not of metal, for passengers; placards of wood or plastics; stools; footstools; crates; works of art of wood, wax, plaster or plastic; curtain holders not of textile materials; coffins; dressing tables; bathroom vanities [furniture]; washstands [furniture]; funerary urns; figurines made of wood, wax, plaster or plastic; hand-held flagpoles, not of metal; bed fittings, not of metal; coffin fittings, not of metal; furniture fittings not of metal; bottle casings of wood; runners, not of metal, for sliding doors; infant walkers; collars, not of metal, for fastening pipes; vats not of metal; covers for clothing [wardrobe]; gar-

ment covers [storage]; hinges, not of metal; cupboard; filing cabinets; meat safes; medicine cabinets; luggage lockers; deck chairs; screens [furniture]; school furniture; birdhouses; sash fasteners, not of metal, for windows; door fasteners, not of metal; shoe dowels, not of metal; drawers for furniture; lockers [furniture]; brush mountings; non-metallic empty tool boxes; nesting boxes for household pets; chests not of metal.

28 – Games, toys; Video game apparatus; gymnastic and sporting articles; decorations for Christmas trees; arcade video game machines; video game machines; climbing harnesses; tennis ball throwing apparatus; men's athletic supporters [sports articles]; swimming pools [play articles]; trampolines; golf bag tags; rackets; billiard cues; billiard balls; billiard markers; billiard tables; coin-operated billiard tables; bodyboards; punching bags; boxing gloves; rattles [playthings]; building blocks [toys]; twirling batons; boomerangs; teddy bears; stationary exercise bicycles; creels [fishing traps]; video game consoles; hand-held consoles for playing video games; golf bag carts; shuttlecocks; fishing lines; gut for fishing; rods for fishing; dumbbells; gyroscopes and flight stabilizers for reduced model aircraft; swings; yoga swings; needles for pumps for inflating balls for games; jigsaw puzzles; exercisers [expanders]; darts; bite sensors [fishing tackle]; hang gliders; joysticks for video games; bells for Christmas trees; spinning tops [toys]; discuses for sports; slide [game]; dominoes; swimming kick boards; surfboards; sailboards; spring boards [sports articles]; chessboards; checkerboards; drones [toys]; electronic targets; chest expanders [exercisers]; poles for pole vaulting; counters [discs] for games; swimming jackets; ascenders [mountaineering equipment]; scent lures for hunting or fishing; protective films adapted for screens for portable games; protective paddings [parts of sports suits]; toy putty; fidget toys; toys for pets; stuffed toys; novelties for parties; novelty toys for playing jokes; toy imitation cosmetics; toy vehicles; toy models; toy pistols; toy air pistols; toy robots; remote-controlled toy vehicles; figurines [toys]; ring games; gaming machines for gambling; amusement machines, automatic and coin-operated; playhouses for children; playing cards; building games; balls for playing bowls; divot repair tools [golf accessories]; kaleidoscopes; bladders of balls for games; resin used by athletes; edges of skis; paper party hats; carnival masks; bingo cards; trading cards for games; skittles; skittles [games]; quoits; golf clubs; ice skates; roller skates; in-line roller skates; rocking horses; controllers for toys; controllers for game consoles; confetti; dice; kite reels; reels for fishing; chalk for billiard cues; ski bindings; party balloons; marbles for games; ammunition for paint pistols [sports accessories]; flippers for diving; flippers for swimmers; flying disks [toys]; skis; waterskis; surf skis; roller skis; surfboard leashes; bows for archery; dolls; dolls' clothes; dolls' houses; dolls' rooms; dolls' beds; mah-jong;

puppets; masks [toys]; camouflage screens [sports articles]; scale model vehicles; matryochka dolls; ball-pitching machines; soap bubbles [toys]; hunting game calls; targets; toy mobiles; balls for games; board games; scale model kits [toys]; inflatable games for swimming pools; swimming pool air floats; artificial fishing bait; billiard table cushions; knee guards [sports articles]; billiard cue tips; elbow guards [sports articles]; play tents; backgammon games; water wings; pumps specially adapted for use with balls for games; table-top games; Christmas trees of synthetic materials; paddleboards; ski sticks; ski sticks for roller skis; paragliders; pachinko games; protective cups for sports; paintball guns [sports apparatus]; swimming webs; horseshoe games; sole coverings for skis; landing nets for anglers; Christmas tree stands; piñatas; percussion caps [toys]; caps for pistols [toys]; swimming belts; plush toys; security blankets [plush toys]; dolls' feeding bottles; kites; bite indicators [fishing tackle]; floats for fishing; portable games with liquid crystal displays; portable games and toys with integrated telecommunication functions; weight lifting belts [sports articles]; harness for sailboards; ornaments for Christmas trees, except illumination articles and confectionery; archery implements; decoys for hunting or fishing; apparatus for games; conjuring apparatus; fishing tackle; fish hooks; sling shots [sports articles]; baby gyms; rollers for stationary exercise bicycles; skateboards; baseball gloves; golf gloves; gloves [accessories for games]; roulette wheels; scooters [toys]; sledges [sports articles]; bobsleighs; skeleton sleds; candle holders for Christmas trees; nets for sports; butterfly nets; scratch cards for playing lottery games; slot machines [gaming machines]; artificial snow for Christmas trees; snow globes; snowshoes; snowboards; barbells; starting blocks for sports; clay pigeon traps; tables for table tennis; rhythmic gymnastics ribbons; strings for rackets; gut for rackets; golf bags, with or without wheels; cricket bags; clay pigeons [targets]; theatrical masks; tennis nets; waist trimmer exercise belts; toy modeling dough; tricycles for infants [toys]; body-building apparatus; body-training apparatus [physical exercise]; machines for physical exercises; batting gloves [accessories for games]; appliances for gymnastics; bowling apparatus and machinery; fairground rides; fencing gauntlets; party poppers [party novelties]; hockey sticks; checkers [games]; shin guards [sports articles]; fencing weapons; fencing masks; chips for gambling; foosball tables; Christmas crackers [party novelties]; cups for dice; bags especially designed for skis; bags especially designed for surfboards; chess games; seal skins [coverings for skis]; masts for sailboards.

(260) AM 2024 123000 A  
 (800) 1731105  
 (151) 2023 01 31  
 (891) 2023 01 31

(731) ERC DISTRIBUTION AG  
 Poststrasse 14, CH-6302 Zug, Switzerland  
 (540)



(591) Orange  
 (531) 27.05.17; 27.07.17; 29.01.01  
 (511)

9 – Scientific, research, navigation, surveying, photographic, cinematographic, audiovisual, optical, weighing, measuring, signalling, detecting, testing, inspecting, life-saving and teaching apparatus and instruments; apparatus and instruments for conducting, switching, transforming, accumulating, regulating or controlling the distribution or use of electricity; apparatus and instruments for recording, transmitting, reproducing or processing sound, images or data; recorded and downloadable media, computer software, blank digital or analogue recording and storage media; cash registers, calculating devices; computers and computer peripheral devices; cordless telephones; smartphones; mobile telephones, cellular phones; holders adapted for mobile telephones and smartphones; in-car telephone handset cradles; headphones; sleeves for laptops; covers for tablet computers; automated teller machines [ATM]; steering devices, automatic, for vehicles; automatic indicators of low pressure in vehicle tires; parking meters; aerometers; asbestos clothing for protection against fire; asbestos gloves for protection against accidents; asbestos screens for firemen; actinometers; electric accumulators; electric accumulators for vehicles; acoustic couplers; alidades; altimeters; ammeters; anemometers; anodes; anode batteries; antennas; anticathodes; apparatus to check franking; electric devices for remote ignition; X-ray producing apparatus and installations not for medical use; fermentation apparatus for laboratory use; remote control apparatus; testing apparatus not for medical use; apertometers [optics]; acidimeters for batteries; apparatus and instruments for astronomy; audiovisual teaching apparatus; luminous beacons; lighting ballasts; accumulator jars; barometers; ignition batteries; electric batteries; balances [steelyards]; betatrons; binoculars; computer memory devices; integrated circuits; digital notepads; fire hose nozzles; connected bracelets [measuring instruments]; bullet-proof vests; marking buoys; signaling buoys; directional compasses; scales; weighbridges; tone arms for record players; plumb bobs; vacuum gauges; variometers; solenoid valves [electromagnetic switches]; shoes for protection against accidents, irradiation and fire; terminals [electricity]; electric plugs; circuit breakers [electricity]; switchboxes [electricity]; gauges; measuring instruments; measuring apparatus; electric measuring apparatus; measures; current rectifiers; high-frequency apparatus; flow meters; branch boxes [electricity]; video screens; video cameras; video cassettes; video telephones; telephone answering machines; photographic viewfinders; viscosimeters; peephole

les [magnifying lenses] for doors; electric switches; fire extinguishers; diving suits; fiber-optic cables; voltmeters; battery chargers; ear plugs for divers; gas analysis apparatus; gasometers [measuring instruments]; electric discharge tubes other than for lighting; galena crystals [detectors]; galvanic batteries; galvanic cells; galvanometers; hands-free kits for telephones; heliographic apparatus; surveying apparatus and instruments; weights; hygrometers; sonars; hydrometers; needles for record players; holograms; sound recording disks; lightning conductors; sounding leads; buzzers; loudspeakers; range finders (telemeters); decompression chambers; densimeters; densitometers; detectors; smoke detectors; counterfeit coin detectors; signal bells; electric alarm bells; bells [warning apparatus]; mirrors for inspecting work; mirrors [optics]; dictating machines; dynamometers; floppy disks; magnetic disks; optical disks; disk drives [for computers]; juke boxes for computers; telerupters; distillation apparatus for scientific use; diffraction apparatus [microscopy]; breathing apparatus for underwater swimming; breathing apparatus, except for artificial respiration; diagnostic apparatus, not for medical use; slide projectors; diaphragms for scientific apparatus; diaphragms [photography]; DNA chips; adding machines; dosage dispensers [dosimeters]; luminous or mechanical road signs; jigs [measuring instruments]; fuse wires; choking coils [impedance]; ovens for laboratory use; screens [photography]; exposure meters [light meters]; electrified rails for mounting spot lights; electric installations for the remote control of industrial operations; electric door bells; electro-dynamic apparatus for the remote control of railway points; electro-dynamic apparatus for the remote control of signals; electrolyzers; electromagnetic coils; downloadable electronic publications; electronic tags for goods; electronic pocket translators; electronic collars to train animals; electronic pens [visual display units]; electronic notice boards; epidiascopes; ergometers; magnetic identification bracelets; electric locks; electronic agendas; voltage surge protectors; fuses; chargers for electronic cigarettes; protective suits for aviators; protection devices against X-rays, not for medical use; protective films adapted for computer screens; head guards for sports; mouth guards for sports; balancing devices; acoustic [sound] alarms; sound reproduction apparatus; sound recording carriers; sound recording apparatus; sound transmission apparatus; acoustic conduits; surveying instruments; wire connectors [electricity]; junction boxes [electricity]; couplers [data processing equipment]; connections for electric lines; electric couplings; connectors [electricity]; luminous signs; probes for scientific use; sounding apparatus and machines; readers [data processing equipment]; bar code readers; inverters [electricity]; pressure indicators; slope indicators; incubators for bacteria culture; interfaces [for computers]; ionization apparatus not for the treatment of air or water; spark-guards; electricity conduits; electric cables; coaxial

cables; calipers; calibrating rings; calorimeters; pocket calculators; teeth protectors; capillary tubes for laboratory use; holders for electric coils; video game cartridges; carriers for dark plates [photography]; cassette players; cathodes; cathodic anti-corrosion devices; mouse pads; acid hydrometers; exposed cinematographic films; cinematographic cameras; push buttons for bells; covers for electric outlets; encoded magnetic cards; magnetic encoders; electric collectors; dog whistles; compact disks [audio-video]; optical compact disks; comparators; marine compasses; joysticks for use with computers, other than for video games; computer keyboards; computer printers; magnetic tape units [for computers]; recorded computer programs; electric apparatus for commutation; electrical condensers [capacitors]; optical condensers; electric contacts; contact lenses; boiler control instruments; correcting lenses [optics]; accumulator boxes; cabinets for loudspeakers; cosmographic instruments; clothing for protection against fire; laboratory pipettes; pedometers; graduated compasses; azimuth instruments; laboratory trays; logs [measuring instruments]; lasers not for medical use; lactodensimeters; lactometers; darkroom lamps [photography]; eyeglass chains; optical lenses; rulers [measuring instruments]; carpenters' rules; flashing lights [light signals]; flashlights [photography]; magic lanterns; optical lamps; counters; revolution counters; distance recording apparatus; mileage recorders for vehicles, kilometer recorders for vehicles; slide-rules; magnifying glasses [optics]; magnets; decorative magnets; magnetic wires; magnetic tapes; videotapes; crash test dummies; resuscitation mannequins [teaching apparatus]; pressure gauges; solderers' helmets; protective masks, not for medical use; diving masks; mathematical instruments; materials for electricity mains [wires, cables]; money counting and sorting machines; material testing instruments and machines; weighing machines; furniture especially made for laboratories; megaphones; portable media players; metal detectors for industrial or military use; meteorological instruments; meteorological balloons; rules [measuring instruments]; dressmakers' measures; metronomes; mechanisms for counter-operated apparatus; mechanical signs; mouse [computer peripheral]; insulated copper wire; micrometers; micrometer screws for optical instruments; microprocessors; microscopes; microtomes; microphones; surveying chains; measuring spoons; modems; monitors [computer programs]; monitors [computer hardware]; devices for editing cinematographic films; nautical apparatus and instruments; marine depth finders; naval signaling apparatus; coin-operated musical automata [juke boxes]; animated cartoons; junction sleeves for electric cables; electric coils; inductors [electricity]; navigation apparatus for vehicles [on-board computers]; navigational instruments; teaching apparatus; knee-pads for workers; semiconductors; screw-tapping gauges; chargers for electric accumulators; neon signs; identification threads for electric wires;

thread counters; surveyors' levels; leveling instruments; verniers; magnetic data media; optical data media; nose clips for divers and swimmers; notebook computers; objectives [lenses] [optics]; lenses for astrophotography; limiters [electricity]; sheaths for electric cables; egg candlers; electrified fences; clothing for protection against fire; clothing for protection against accidents, irradiation and fire; special clothing for laboratories; ozonizers [ozonators]; octants; spectacles [optics]; sunglasses; goggles for sports; eyepieces; ohmmeters; electric resistances; eyeglass frames; optical glass; eyewear; optical readers; optical apparatus and instruments; sighting telescopes for firearms; protection devices for personal use against accidents; oscillographs; cleaning apparatus for sound recording discs; selfie sticks [hand-held monopods]; safety restraints other than for vehicle seats or sports equipment; pince-nez; stills for laboratory experiments; intercommunication apparatus; speaking tubes; transmitters [telecommunication]; transmitters of electronic signals; mechanisms for coin-operated apparatus; coin-operated mechanisms for television sets; oxygen transvasing apparatus; switchboards; commutators; spools [photography]; circuit breakers; electric converters; periscopes; punched card machines for offices; furnaces for laboratory use; drying racks [photography]; wrist rests for use with computers; pyrometers; egg timers [sandglasses]; planimeters; plane tables [surveying instruments]; plates for batteries; silicon boards for integrated circuits; printed circuit boards; sound recording strips; exposed films; plotters; fire engines; fire escapes; fire pumps; fire alarms; fire boats; fire beaters; fire hoses; levels [instruments for determining the horizontal]; electric loss indicators; quantity indicators; wind socks for indicating wind direction; petrol gauges; gasoline gauges; water level indicators; sprinkler systems for fire protection; polarimeters; vehicle breakdown warning triangles; amplifying lamps; amplifiers; letter scales; prisms [optics]; receivers [audio, video]; air analysis apparatus; food analysis apparatus; distance measuring apparatus; appliances for measuring the thickness of leather; apparatus for measuring the thickness of skins; speed checking apparatus for vehicles; time recording apparatus; instruments containing eyepieces; weighing apparatus and instruments; Global Positioning System [GPS] apparatus; particle accelerators; railway traffic safety appliances; speed measuring apparatus [photography]; invoicing machines; video recorders; tape recorders; apparatus for changing record player needles; data processing apparatus; film cutting apparatus; test tubes; electric conductors; electric wires; telephone wires; ducts [electricity]; record players; compact disc players; DVD players; computer game programs; downloadable computer programs; recorded computer operating programs; software [recorded programs]; projection apparatus; projection screens; transparencies [photography]; washing trays [photography]; respiratory masks other than for artificial respi-

ration; anti-interference devices [electricity]; anti-glare glasses; anti-dazzle shades; electric installations for theft prevention; anti-theft warning apparatus; fire blankets; processors [central processing units]; rods for water diviners; plumb lines; control panels [electricity]; starter cables for motors; radar apparatus; vehicle radios; vacuum tubes [radio]; radiological apparatus for industrial use; radiology screens for industrial use; radio pagers; transmitting sets [telecommunication]; radios; radiotelegraphy sets; radiotelephony sets; masts for wireless aerials; frames for photographic transparencies; screens for photoengraving; abacuses; calculating machines; voting machines; walkie-talkies; electric regulating apparatus; stage lighting regulators; voltage regulators for vehicles; electric light regulators [dimmers]; speed regulators for record players; reducers [electricity]; leveling staffs [surveying instruments]; marking gauges [joinery]; electric relays; cell phone straps; X-ray apparatus not for medical use; exposed x-ray films; X-ray tubes not for medical use; X-ray photographs, other than for medical use; rheostats; respirators for filtering air; retorts; refractometers; refractors; grids for batteries; downloadable ringtones for mobile telephones; demagnetizing apparatus for magnetic tapes; identification sheaths for electric wires; magnetic identity cards; distribution consoles [electricity]; distribution boxes [electricity]; distribution boards [electricity]; slide calipers; mercury levels; diving gloves; gloves for protection against X-rays for industrial use; gloves for protection against accidents; horns for loudspeakers; life-saving apparatus and equipment; safety tarpaulins; life buoys; life jackets; life-saving rafts; life belts; safety nets; whistle alarms; reflective articles for wear for the prevention of accidents; reflective safety vests; optical fibers [light conducting filaments]; blueprint apparatus; light-emitting diodes [LED]; light-emitting electronic pointers; filters for photography; traffic-light apparatus [signaling devices]; sextants; non-explosive fog signals; luminous or mechanical signals; signal lanterns; alarms; signaling whistles; signaling panels, luminous or mechanical; sirens; nets for protection against accidents; scanners [explorers] [data processing equipment]; spectacle lenses; graduated glassware; smart watches; smart glasses; salinometers; solar batteries; spectrograph apparatus; spectroscopes; spirit levels; alcohol meters; speed indicators; monitoring apparatus other than for medical use; observation instruments; shutter releases [photography]; personal stereos; stereoscopes; stereoscopic apparatus; head cleaning tapes; sulfimeters; satellites for scientific use; satellite navigation apparatus; drying apparatus for photographic prints; spherometers; printed circuits; chips [integrated circuits]; time clocks [time recording devices]; taximeters; tachometers; television apparatus; telegraphs [apparatus]; teleprinters; telegraph wires; telescopes; teleprompters; portable telephones; telephone apparatus; telephone transmitters; telephone receivers; temperature

indicators; theodolites; heat regulating apparatus; thermionic tubes; thermionic valves; thermometers, not for medical use; thermostats; thermostats for vehicles; crucibles [laboratory]; pressure measuring apparatus; pressure indicator plugs for valves; totalizers; precision balances; precision measuring apparatus; transformers [electricity]; transponders; protractors [measuring instruments]; step-up transformers; simulators for the steering or control of vehicles; re-torts' stands; tripods for cameras; triodes; sounding lines; urinometers; downloadable image files; downloadable music files; facsimile machines; apparatus and instruments for physics; filters for ultraviolet rays for photography; filters for respiratory masks; wearable activity trackers; USB flash drives; fluorescent screens; cameras [photography]; flash-bulbs [photography]; glazing apparatus for photographic prints; drainers for use in photography; photovoltaic cells; shutters [photography]; enlarging apparatus [photography]; photocopiers; darkrooms [photography]; photometers; phototelegraphy apparatus; containers for contact lenses; eyeglass cases; cases for smartphones; containers for microscope slides; cases especially made for photographic apparatus and instruments; wavemeters; chemistry apparatus and instruments; chromatography apparatus for laboratory use; chronographs [time recording apparatus]; laboratory centrifuges; centering apparatus for photographic transparencies; cyclotrons; saccharometers; automatic time switches; frequency meters; hard covers for smartphones; eyeglass cords; riding helmets; protective helmets for sports; workmen's protective face-shields; armatures [electricity].

11 – Apparatus and installations for lighting, heating, cooling, steam generating, cooking, drying, ventilating, water supply and sanitary purposes; Lamp shades; electric autoclaves for cooking; aquarium lights; aquarium heaters; aquarium filtration apparatus; steam accumulators; heat accumulators; anti-glare devices for vehicles [lamp fittings]; defrosters for vehicles; hot air apparatus; book sterilization apparatus; air deodorizing apparatus; loading apparatus for furnaces; tanning beds; apparatus for dehydrating food waste; ionization apparatus for the treatment of air or water; beverage-cooling apparatus; air cooling devices; gas scrubbing apparatus; oil-scrubbing apparatus; desiccating apparatus; coffee roasters; whirlpool-jet apparatus; drying apparatus for fodder and forage; hand-drying apparatus for washrooms; water filtering apparatus; swimming pool chlorinating apparatus; grills [cooking appliances]; steam facial apparatus [saunas]; heating and cooling apparatus for dispensing hot and cold beverages; air purification apparatus and machines; water softening apparatus and installations; light-emitting diode [LED] lighting apparatus; lighting apparatus and installations; underfloor heating apparatus and installations; hydromassage bath apparatus; acetylene generators; acetylene flares; acetylene burners;

germicidal lamps for purifying air; barbecues; bidets; laundry room boilers; washing coppers; bathtubs; spa baths; electric cooktops; electric waffle irons; bicycle lights; fans [air-conditioning]; fans [parts of air-conditioning installations]; electric fans for personal use; ventilation [air-conditioning] installations for vehicles; ventilation [air-conditioning] installations and apparatus; kilns; evaporators; extractor hoods for laboratories; ventilation hoods; ventilation hoods for laboratories; fabric steamers; pressurized water tanks; water conduits installations; pipes [parts of sanitary installations]; water intake apparatus; water heaters; water purification installations; water purifying apparatus and machines; water supply installations; water flushing installations; flushing tanks; carbon for arc lamps; gas condensers other than parts of machines; gas boilers; gas burners; gas lamps; gas scrubbers [parts of gas installations]; microbubble generators for baths; hydrants; fairy lights for festive decoration; wicks adapted for oil stoves; hearths; rotisseries; hot water bottles; warming pans; foot warmers, electric or non-electric; bed warmers; electric food dehydrators; disinfectant apparatus; disinfectant apparatus for medical use; deodorizing apparatus not for personal use; fog machines; chimney flues; disinfectant apparatus for dispensing solutions into water pipes for sanitary installations; stills; distillation apparatus; distillation columns; arc lamps; showers; shower cubicles; electric beverage urns; flues for heating boilers; feeding apparatus for heating boilers; immersion heaters; friction lighters for igniting gas; gas lighters; safety accessories for water or gas apparatus and pipes; chimney blowers; humidifiers for central heating radiators; air humidifiers; coils [parts of distilling, heating or cooling installations]; furnace ash boxes; drip irrigation emitters [irrigation fittings]; electric appliances for making yogurt; electric coffee machines; coffee capsules, empty, for electric coffee machines; heating apparatus; lava rocks for use in barbecue grills; domestic fireplaces; hot air ovens; electrically heated carpets; oxyhydrogen burners; Chinese lanterns; pocket warmers; level controlling valves in tanks; air valves for steam heating installations; electric blankets, not for medical use; furnace grates; air conditioners for vehicles; taps for pipes and pipelines; mixer taps for water pipes; taps; radiator caps; portable forges; electric cooking utensils; cooking apparatus and installations; cooking rings; kitchen ranges [ovens]; cookers (cooking stoves); laboratory lamps; laboratory burners; lamps for lighting; curling lamps; curing lamps not for medical use; nail lamps; electric lamps; lamp chimneys; electric lights for Christmas trees; safety lamps; street lamps; lights for automobiles; lanterns for lighting; lights for vehicles; candle lanterns; electric flashlights; headlamps; chandeliers; oil lamps; ice-cream making machines; electric pounded rice cake making machines for household use; electric soy milk making machines; ice-cube machines and apparatus; microwave ovens [cooking apparatus]; micro-

wave ovens for industrial use; freezers; motorcycle lights; multi-cookers; air fryers; foot muffs, electrically heated; heating apparatus for defrosting windows of vehicles; heating elements; hot plates; heaters for baths; electric heaters for feeding bottles; heaters for heating irons; air reheaters; brackets for gas burners; structural plates for ovens; electric heating filaments; magnesium filaments for lighting; filaments for electric lamps; luminous house numbers; heating plates; stoves [heating apparatus]; fumigation apparatus not for medical use; hot air bath fittings; electrically heated clothing; hot water heating installations; heating installations; heaters for vehicles; electric heating apparatus; heating apparatus for solid, liquid or gaseous fuels; heating boilers; kiln furniture [supports]; dehumidifiers; coolers for furnaces; electric cool boxes; purification installations for sewage; burners; germicidal burners; burners for lamps; oil burners; electric food steamers; boilers other than parts of machines; steam boilers, other than parts of machines; pasteurizers; sockets for electric lamps; portable Turkish bath cabinets; electric coffee percolators; bakers' ovens; dental ovens; ovens, other than for laboratory use; diving lights; plate warmers; urinals; lamp globes; electric heating cushions, not for medical use; automatic watering installations; watering machines for agricultural purposes; polymerization installations; electric tortilla presses; heated display cabinets; cooling apparatus and installations; electric vacuum cookers; electric couscous cookers; electric chocolate fountains; USB-powered hand warmers; air-conditioning apparatus; glue-heating appliances; roasting jacks; USB-powered cup heaters; searchlights; washers for water taps; anti-splash tap nozzles; radiators [heating]; electric radiators; central heating radiators; sinks; refining towers for distillation; heat regenerators; regulating accessories for water or gas apparatus and pipes; regulating and safety accessories for water apparatus; regulating and safety accessories for gas apparatus; regulating and safety accessories for gas pipes; dampers [heating]; lamp reflectors; vehicle reflectors; roasting spits; incandescent burners; expansion tanks for central heating installations; sanitary apparatus and installations; bath fittings; standard lamps; lighting apparatus for vehicles; light bulbs; electric light bulbs; directional lights for bicycles; light projectors; light diffusers; toilet seats; bathtubs for sitz baths; hydroponic growing systems; lamp glasses; incinerators; solar furnaces; thermal-conversion solar collectors [heating]; alcohol burners; ceiling lights; sterilizers; water sterilizers; air sterilizers; clean chambers [sanitary installations]; electric laundry dryers; malt roasters; tobacco roasters; fruit roasters; air dryers; drying apparatus and installations; electric tajines; heat pumps; heat guns; heat exchangers other than parts of machines; electric thermo-pots; thermostatic valves [parts of heating installations]; floor lamps; toasters; lampshade holders; boiler pipes [tubes] for heating installations; electric discharge tubes for lighting; luminous

tubes for lighting; toilets [WC]; portable toilets; ultraviolet ray lamps not for medical use; wash-hand basins [parts of sanitary installations]; toilet bowls; automatic ash conveyor installations; bath installations; steam generating installations; desalination plants; air conditioning installations; installations for processing nuclear fuel and nuclear moderating material; water cooling installations; milk cooling installations; cooling installations for liquids; cooling installations for tobacco; lighting installations for air vehicles; water distribution installations; sauna bath installations; air filtering installations; flaming torches; flare stacks for use in the oil industry; headlights for automobiles; vehicle headlights; fittings, shaped, for ovens; hair dryers; air filters for air conditioning; filters for drinking water; fountains; ornamental fountains; electric deep fryers; oven fittings made of fire clay; bread baking machines; bread-making machines; refrigerators; refrigerators, cooling apparatus and freezers for medical storage purposes; refrigerating apparatus and machines; refrigerating containers; refrigerating chambers; refrigerating display cabinets; refrigerating apparatus and installations; refrigerating cabinets; chromatography apparatus for industrial use; lamp mantles; electric kettles; electric wine cellars; miners' lamps; electrically heated socks; nuclear reactors; chemically activated heating packets for warming feet, not for medical use; chemically activated cooling packets for cooling feet, not for medical; chemically activated heating packets for warming hands, not for medical use; chemically activated cooling packets for cooling hands, not for medical use; electric heating pads; chemically heated pads, not for medical use; electrically heated boots.

12 – Vehicles; Apparatus for locomotion by land, air or water; motor buses; motor coaches; gyrocopters; lorries; self-driving cars; automobiles; sports cars; ambulances; concrete mixing vehicles; automobile hoods; automobile bodies; automobile chains; cigar lighters for automobiles; automobile chassis; automobile tires; autonomous underwater vehicles for seabed inspections; refrigerated vehicles; camping cars; dirigible balloons (airships); hot-air balloons; shock absorbers for automobiles; suspension shock absorbers for vehicles; anti-glare devices for vehicles; luggage carriers for vehicles; ski carriers for automobiles; bumpers for automobiles; vehicle bumpers; tires for vehicle wheels; bands for wheel hubs; barges; launches; brake shoes for vehicles; safety seats for children, for vehicles; driverless cars [autonomous cars]; side view mirrors for vehicles; tailboard lifts [parts of land vehicles]; caravans; buffers for railway rolling stock; mine cars; tilt trucks; railway carriages; sleeping cars; dining cars; refrigerated railway wagons; trucks with a crane feature incorporated; bicycles; electric bicycles; bicycle kickstands; bicycle brakes; bicycle motors; bicycle bells; dress guards for bicycles; bicycle handlebars; bicycle wheels; bicycle chains; bicycle pedals; bicycle frames; bicycle saddles; bicyc-

le cranks; gears for bicycles; bicycle tires; tubeless tires for bicycles; bicycle mudguards; helicopters; pushchair hoods; oars for boats; paddles for canoes; sculls; forklift trucks; handling carts; bogies for railway cars; hose carts; casting carriages; tilting-carts; two-wheeled trolleys; cleaning trolleys; shopping trolleys; fishing trolleys; trolleys; carts; roll cage trolleys; scooters for people with reduced mobility; windows for vehicles; lug nuts for vehicle wheels; vehicle brakes; screws [propellers] for ships; helicams; hydraulic circuits for vehicles; seaplanes; torque converters for land vehicles; self-balancing boards; self-balancing scooters; ski lifts; hydroplanes; golf carts [vehicles]; racing cars; bellows for articulated buses; screw-propellers; screw-propellers for boats; treads for vehicles [roller belts]; doors for vehicles; engines for land vehicles; shock absorbing springs for vehicles; vehicle joysticks; diving bells; rearview mirrors; funnels for locomotives; funnels for ships; brake disks for vehicles; handcars; military drones; delivery drones; camera drones; civilian drones; tow trucks; horse-drawn carriages; electric motors for land vehicles; railway couplings; sun-blinds adapted for automobiles; spoke clips for wheels; horns for vehicles; dredgers [boats]; trailer hitches for vehicles; couplings for land vehicles; portholes; cars for cable transport installations; inner tubes for bicycle tires; inner tubes for pneumatic tires; canoes; hoods for vehicle engines; hoods for vehicles; crankcases for land vehicle components other than for engines; ejector seats for aircraft; rudders; steering wheels for vehicles; kick sledges; valves for vehicle tires; clips adapted for fastening automobile parts to automobile bodies; hub caps; mine cart wheels; vehicle wheels; casters for carts [vehicles]; brake pads for automobiles; pushchairs; pet strollers; baby carriages; aerial conveyors; ships; gear boxes for land vehicles; ships' hulls; space vehicles; rowlocks; baskets adapted for bicycles; fenders for ships; caps for vehicle fuel tanks; cleats [nautical]; chairlifts; vehicle seats; wheelchairs; vehicle bodies; tipping bodies for trucks; anti-skid chains; adhesive rubber patches for repairing inner tubes; airplanes; amphibious airplanes; aircraft; locomotives; hubs for bicycle wheels; hubs for vehicle wheels; steering devices for ships; self-balancing electric unicycles; engine mounts for land vehicles; mopeds; motor scooters; motorcycle kickstands; motorcycle engines; motorcycle handlebars; side cars; motorcycle chains; motorcycle frames; motorcycle saddles; motorcycles; freewheels for land vehicles; fitted footmuffs for strollers; fitted footmuffs for baby carriages; clutches for land vehicles; repair outfits for inner tubes; brake linings for vehicles; pumps for bicycle tires; vehicle upholstery; rims for bicycle wheels; vehicle wheel rims; axles; axle journals; parachutes; safety belts for vehicle seats; security harness for vehicle seats; gearing for land vehicles; caissons [vehicles]; tipping apparatus [parts of railway wagons]; vehicle suspension springs; headrests for vehicle seats; vehi-

le running boards; tire mousse inserts; aeronautical apparatus, machines and devices; air pumps [vehicle accessories]; air bags [safety devices for automobiles]; signal arms for vehicles; casings for pneumatic tires; sprinkling trucks; pontoons; ashtrays for automobiles; ferry boats; non-skid devices for vehicle tires; anti-theft devices for vehicles; trailers [vehicles]; bicycle trailers; trailers for transporting bicycles; balance weights for vehicle wheels; anti-theft alarms for vehicles; fitted pushchair mosquito nets; spars for ships; jet engines for land vehicles; reduction gears for land vehicles; robotic cars; disengaging gear for boats; rolling stock for railways; rolling stock for funicular railways; propulsion mechanisms for land vehicles; scooters [vehicles]; sleighs [vehicles]; rescue sleds; brake segments for vehicles; reversing alarms for vehicles; luggage nets for vehicles; windshields; windshield wipers; headlight wipers; garbage trucks; snowmobiles; sleeping berths for vehicles; spokes for bicycle wheels; vehicle wheel spokes; spoilers for vehicles; inclined ways for boats; treads for retreading tires; boat hooks; panniers adapted for bicycles; saddlebags adapted for bicycles; bags designed for strollers; panniers adapted for motorcycles; wheelbarrows; telfer railways [cable cars]; torsion bars for vehicles; tractors; tramcars; transmission mechanisms for land vehicles; transmission shafts for land vehicles; transmission chains for land vehicles; military vehicles for transport; armored vehicles; vehicles for locomotion by land, air, water or rail; electric vehicles; remotely operated vehicles for underwater inspections; remote-controlled vehicles other than toys; air cushion vehicles; all-terrain vehicles; tricycles; delivery tricycles; amphibious vehicles; cup holders for vehicles; turbines for land vehicles; towing trucks; driving motors for land vehicles; drive chains for land vehicles; cable transport apparatus and installations; flanges for railway wheel tires; funiculars; vans [vehicles]; undercarriages for vehicles; boats; pushchair covers; covers for vehicle steering wheels; spare wheel covers; seat covers for vehicles; saddle covers for bicycles; saddle covers for motorcycles; vehicle covers [shaped]; vehicle chassis; connecting rods for land vehicles other than parts of motors and engines; tires for snowplows; tires; solid tires for vehicle wheels; spikes for tires; davits for watercraft; timbers [frames] for ships; vehicle bonnet pins; mudguards; masts for boats; yachts.

16 – Paper and cardboard; Photographs; stationery and office requisites, except furniture; drawing materials and materials for artists; plastic sheets, films and bags for wrapping and packaging; printing type, printing blocks; fountain pens; address plates for addressing machines; address stamps; addressing machines; aquarelles; albums; almanacs; bookbinding apparatus and machines [office equipment]; papers for painting and calligraphy; architects' models; atlases; banknotes; paper bows, other than haberdashery or hair decorations; name badges [office requisites]; baggage cla-



im check tags of paper; tags for index cards; biological samples for use in microscopy [teaching materials]; forms, printed; glitter for stationery; pads [stationery]; drawing pads; wristbands for the retention of writing instruments; pamphlets; booklets; plastic bubble packs for wrapping or packaging; rollers for typewriters; house painters' rollers; composing sticks; signboards of paper or cardboard; sewing patterns; viscosse sheets for wrapping; greeting cards; drawer liners of paper, perfumed or not; cream containers of paper; waxed paper; charcoal pencils; newspapers; electrotypes; hectographs; geographical maps; shields [paper seals]; toilet paper; bunting of paper; histological sections for teaching purposes; modeling clay; polymer modeling pastes; terrestrial globes; drawing sets; engraving plates; engravings; graphic representations; graphic reproductions; graining combs; pencil leads; rubber erasers; elastic bands for offices; adhesive tape dispensers [office requisites]; sleeved bibs of paper; bibs of paper; diagrams; punches [office requisites]; advertisement boards of paper or cardboard; galley racks [printing]; typewriters [electric or non-electric]; printed matter; printed publications; graphic prints; prints [engravings]; labels of paper or cardboard; hand labeling appliances; magazines [periodicals]; book-markers; notebooks; money clips; paper clasps; pen clips; clips for name badge holders [office requisites]; moisteners [office requisites]; moisteners for gummed surfaces [office requisites]; binding strips [bookbinding]; erasing products; writing board erasers; transfers (decalcomanias); writing or drawing books; hand-writing specimens for copying; non-electric credit card im printers; newsletters; calendars; tracing patterns; tracing paper; tracing cloth; gums [adhesives] for stationery or household purposes; ink stones [ink reservoirs]; framed or unframed paintings [pictures]; announcement cards [stationery]; trading cards other than for games; cards; wood pulp board [stationery]; cardboard tubes; binders [office requisites]; catalogs; flower-pot covers of paper; manifolds [stationery]; tickets; typewriter keys; glue for stationery or household purposes; adhesive bands for stationery or household purposes; adhesive tapes for stationery or household purposes; gluten [glue] for stationery or household purposes; adhesives [glues] for stationery or household purposes; books; bookends; comic books; coloring books; drawing pins; thumbtacks; envelopes [stationery]; carbon paper; copying paper [stationery]; tracing needles for drawing purposes; duplicators; correcting fluids [office requisites]; correcting ink [heliography]; cardboard hat boxes; boxes of paper or cardboard; drawing squares; spools for inking ribbons; retractable reels for name badge holders [office requisites]; tailors' chalk; chalk for lithography; spray chalk; drawing boards; drawing instruments; French curves; drawing pens; starch paste [adhesive] for stationery or household purposes; printed coupons; document laminators [for office use]; absorbent sheets of paper or plastic for foodstuff packaging; sheets of rec-

laimed cellulose for wrapping; humidity control sheets of paper or plastic for foodstuff packaging; musical greeting cards; flyers; drawing rulers; steel letters; lithographs; lithographic works of art; lithographic stones; paint trays; pictures; plastics for modeling; sealing compounds for stationery purposes; bookbinding material; modeling materials; packaging material made of starches; envelope sealing machines for offices; sealing machines for offices; franking machines for office use; pencil sharpening machines, electric or non-electric; plastic bags for pet waste disposal; garbage bags of paper or of plastics; modeling wax not for dental use; painters' easels; padding materials of cardboard or paper; stuffing of paper or cardboard; portable printing sets [office requisites]; teaching material except apparatus; stickers [stationery]; dental tray covers of paper; fingerstalls for office use; table runners of paper; writing cases [stationery]; writing cases [sets]; paper knives [letter openers]; paper creators [office requisites]; handkerchiefs of paper; printed sheet music; numbering apparatus; wrappers [stationery]; protective covers for books; passport holders; sealing wafers; index cards [stationery]; indexes; arithmetical tables; oleographs; pencils; pencil lead holders; slate pencils; bottle wrappers of paper or cardboard; office requisites except furniture; office perforators; etchings; etching needles; printers' blankets not of textile; bags for microwave cooking; bottle envelopes of paper or cardboard; conical paper bags; paper bags for sterilization of medical instruments; packing [cushioning, stuffing] materials of paper or cardboard; palettes for painters; pantographs [drawing instruments]; papier mâché; paper sheets [stationery]; electrocardiograph paper; paper for recording machines; paper for medical examination tables; wrapping paper; paper for radiograms; wood pulp paper; luminous paper; document files [stationery]; folders for papers; loose-leaf binders; ring binders; pastels [crayons]; modeling paste; pen cases; paintbrushes; painters' brushes; nibs; nibs of gold; steel pens; parchment paper; periodicals; pen wipers; perforated cards for Jacquard looms; seals [stamps]; writing chalk; writing materials; writing paper; writing slates; writing instruments; writing brushes; letter trays; trays for sorting and counting money; handbooks [manuals]; hand-rests for painters; stands for pens and pencils; photograph stands; paper coasters for decanters; mats of paper for beer glasses; stamp stands; desk mats; table mats of paper; place mats of paper; song books; posters; clipboards [office requisites]; plastic film for wrapping; extensible plastic cling film for palletization; animation cels; paper shredders for office use; stamp pads; banners of paper; canvas for painting; cloth for bookbinding; gummed cloth for stationery purposes; portraits; postcards; postage stamps; obliterating stamps; flags of paper; paperweights; vignetting apparatus; apparatus for mounting photographs; blotters; prospectuses; printers' reglets; ledgers [books]; drawing T-squares; isinglass for stationery or household purpo-

ses; rice paper; paper cutters [office requisites]; printed timetables; marking chalk; pens [office requisites]; marking pens [stationery]; pen holders; face towels of paper; hand towels of paper; self-adhesive tapes for stationery or household purposes; plans; tissues of paper for removing make-up; paper wipes for cleaning; table napkins of paper; cigar bands; tablecloths of paper; staples for offices; scrapers [erasers] for offices; paper clips; silver paper; steatite [tailor's chalk]; stapling presses [stationery]; composing frames [printing]; table linen of paper; balls for ball-point pens; typewriter ribbons; correcting tapes [office requisites]; paper ribbons, other than haberdashery or hair decorations; gummed tape [stationery]; paper tapes or cards for the recording of computer programs; barcode ribbons; bags [envelopes, pouches] of paper or plastics, for packaging; sealing wax; embroidery patterns; placards of paper or cardboard; fabrics for bookbinding; stationery; pencil sharpeners, electric or non-electric; transparencies [stationery]; stencils; stencils [stationery]; stencil plates; stencils for decorating food and beverages; mimeograph apparatus and machines; document holders (stationery); chalk holders; pencil holders; holders for checkbooks; holders for stamps [seals]; name badge holders [office requisites]; page holders; Indian inks; chart pointers, non-electronic; paint boxes [for use in school]; figurines of papier mâché; statuettes of papier mâché; paper coffee filters; filter paper; filtering materials of paper; molds for modeling clays [artists' materials]; photoengravings; photographs [printed]; cases for stamps [seals]; chromolithographs [chromos]; compasses for drawing; numbers [type]; artists' watercolor saucers; inks; inkwells; inking sheets for duplicators; inking sheets for document reproducing machines; inking pads; inkstands; ink sticks; inking ribbons; square rulers for drawing; stencil cases; erasing shields; cabinets for stationery [office requisites]; school supplies; blackboards; cords for bookbinding; type [numerals and letters]; stamps [seals]; sealing stamps; washi [Japanese paper].

18 – Leather and imitations of leather; Animal skins and hides; luggage and transport bags; umbrellas and parasols; walking sticks; whips, harness and saddlery; collars, leashes and clothing for animals; card cases [wallets]; suitcases [carrying cases]; trunks [luggage]; attaché cases; key cases; vanity cases, not fitted; purses; wallets; chain mesh purses; reusable shopping bags; bags [envelopes, pouches] of leather for packaging; haversacks; music cases; parasols; leather straps; shoulder belts [straps] of leather; beach bags; traveling trunks; briefcases [leatherware]; rucksacks [backpacks]; suitcase handles; umbrella handles; traveling bags; net bags for shopping; cases of leather or leatherboard; sports bags; bags for climbers; sling bag for carrying babies; handbags; pouch baby carriers; wheeled shopping bags; garment bags for travel; travel sets [leatherware]; bags for campers; credit card cases [wallets]; umbrella covers; school bags.

20 – Furniture, mirrors, picture frames; Transport or storage containers not of metal; unworked or semi-worked bone, horn, whalebone or mother-of-pearl; moldings for picture frames; bamboo curtains; barrels, not of metal; library shelves; pulleys of plastics for blinds; bolts, not of metal; casks of wood for decanting wine; casks, not of metal; identification bracelets not of metal; kennels for household pets; mooring buoys, not of metal; yellow amber; ambroid plates; ambroid bars; sideboards; loading pallets not of metal; empty tool chests not of metal; work benches; vice benches [furniture]; signboards of wood or plastic materials; cabinet work; high chairs for children; display stands; trolleys [furniture]; window fittings, not of metal; showcases [furniture]; jewelry organizer displays; wind chimes (decoration); clothes hangers; bag hangers not of metal; hat stands; valet stands; coat stands; towel stands [furniture]; non-electric fans for personal use; oil drainage containers, not of metal; packaging containers of plastic materials; containers, not of metal, for liquid fuel; tanks, not of metal nor masonry; slatted indoor blinds; comb foundations for beehives; beehives; newspaper display stands; nuts, not of metal; wardrobes; hooks, not of metal, for clothes rails; curtain hooks; clothes hooks, not of metal; screws, not of metal; screw tops, not of metal, for bottles; door fittings not of metal; doors for furniture; wood ribbons; door bells, not of metal, non-electric; divans; chaises longues; fixed non-metallic dispensers for dog waste bags; towel dispensers, fixed, not of metal; bassinets; cots for babies; boards for hanging keys; ladders of wood or plastics; stair carpet rods; dowels, not of metal; screens for fireplaces [furniture]; shelving units; labels of plastic materials; troughs, not of metal, for mixing mortar; curtain tie-backs; plugs, not of metal; rivets, not of metal; sealing caps, not of metal; locks, not of metal, for vehicles; padlocks, other than electronic, not of metal; locks, other than electric, not of metal; bead curtains for decoration; indoor blinds [furniture]; Indoor blinds of paper; indoor blinds of woven wood; indoor blinds of textile materials; bottle closures, not of metal; window fasteners, not of metal; door bolts, not of metal; clips, not of metal, for cables and pipes; plastic clips for sealing bags; bumper guards for cots, other than bed linen; removable covers for sinks; removable mats for sinks; identity plates, not of metal; display boards; settees; jerrycans, not of metal; bedsteads of wood; curtain rails; curtain rods; plastic key cards, not encoded and not magnetic; index cabinets [furniture]; lecterns; mats for infant playpens; sleeping mats; animal claws; shoe pegs, not of metal; tent pegs not of metal; curtain rings; split rings, not of metal, for keys; water-pipe valves of plastic; drain traps [valves] of plastic; valves, not of metal, other than parts of machines; staves of wood; keys made of plastic materials; latches, not of metal; book rests; bookcases [furniture]; bottle caps not of metal; saw horses; bed casters not of metal; furniture casters, not of metal; chopping blocks

[tables]; chests of drawers; containers, not of metal [storage, transport]; desks; animal hooves; coral; corks; bottle stoppers; fodder racks; boxes of wood or plastic materials; nesting boxes; wooden reels for yarn, silk, cord; winding spools, not of metal, non-mechanical, for flexible hoses; reels, not of metal, non-mechanical, for flexible hoses; fishing baskets; baskets not of metal; hampers [baskets] for the transport of items; taps, not of metal, for casks; drafting tables; closures, not of metal, for containers; binding screws, not of metal, for cables; chairs [seats]; hair-dressers' chairs; armchairs; edgings of plastic for furniture; picture frame brackets; brackets, not of metal, for furniture; benches [furniture]; Moses baskets; beds for household pets; air beds, not for medical use; beds; hospital beds; playpens for babies; mannequins; massage tables; imitation tortoiseshell; water beds other than for medical use; air mattresses not for medical use; camping mattresses; mattresses; reusable baby-changing mats; furniture partitions of wood; furniture shelves; furniture of metal; honeycombs; mobiles [decoration]; door knockers, not of metal; meerschamum; shells; inflatable furniture; inflatable publicity objects; shoulder poles [yokes]; legs for furniture; house numbers, not of metal, non-luminous; number plates, not of metal; loading gauge rods, not of metal, for railway wagons; cask hoops, not of metal; decorations of plastic for foodstuffs; poles, not of metal; stuffed birds; stuffed animals; bed bases; office furniture; reeds [plaiting materials]; tortoiseshell; bakers' bread baskets; free-standing partitions [furniture]; dinner wagons [furniture]; saw benches [furniture]; writing desks; head-rests [furniture]; transport pallets, not of metal; handling pallets, not of metal; trays, not of metal; stakes, not of metal, for plants or trees; feet for furniture; trestles [furniture]; umbrella stands; cask stands, not of metal; flower-pot pedestals; flower-stands [furniture]; stands for calculating machines; floating containers, not of metal; picture rods [frames]; wickerwork; mirror tiles; busts of wood, wax, plaster or plastic; costume stands; pillows; cushions; pet cushions; head positioning pillows for babies; air cushions, not for medical use; air pillows, not for medical use; bolsters; head support cushions for babies; anti-roll cushions for babies; shelves for storage; shelves for file cabinets; bathtub grab bars, not of metal; silvered glass [mirrors]; bedding except linen; letter boxes, not of metal or masonry; counters [tables]; window openers, not of metal, non-electric; door openers, not of metal, non-electric; window closers, not of metal, non-electric; door closers, not of metal, non-electric; stoppers, not of glass, metal or rubber; embroidery frames; sections of wood for beehives; plastic ramps for use with vehicles; registration plates, not of metal; horn, unworked or semi-worked; stag antlers; animal horns; crucifixes of wood, wax, plaster or plastic materials, other than jewelry; window pulleys, not of metal; curtain rollers; rattan; door handles, not of metal; knobs, not of metal; hand-held

mirrors [toilet mirrors]; bins, not of metal; toy chests; corozo; dog kennels; straw plaits; straw mattresses; straw edgings; sofas; plaited straw, except matting; statuettes of wood, wax, plaster or plastic materials; statues of wood, wax, plaster or plastic materials; racks [furniture]; magazine racks; bottle racks; gun racks; plate racks; table tops; seats; bath seats for babies; shower chairs; seats of metal; step stools, not of metal; plugs [dowels], not of metal; scratching posts for cats; typing desks; standing desks; console tables [furniture]; tables of metal; wall-mounted baby-changing tables; portable desks; tables; carts for computers [furniture]; lap desks; tea carts; window stops, not of metal or rubber; door stops, not of metal or rubber; stepladders not of metal; oyster shells; mobile boarding stairs, not of metal, for passengers; placards of wood or plastics; stools; footstools; crates; works of art of wood, wax, plaster or plastic; curtain holders not of textile materials; coffins; dressing tables; bathroom vanities [furniture]; washstands [furniture]; funerary urns; figurines made of wood, wax, plaster or plastic; hand-held flagpoles, not of metal; bed fittings, not of metal; coffin fittings, not of metal; furniture fittings not of metal; bottle casings of wood; runners, not of metal, for sliding doors; infant walkers; collars, not of metal, for fastening pipes; vats not of metal; covers for clothing [wardrobe]; garment covers [storage]; hinges, not of metal; cupboards; filing cabinets; meat safes; medicine cabinets; luggage lockers; deck chairs; screens [furniture]; school furniture; birdhouses; sash fasteners, not of metal, for windows; door fasteners, not of metal; shoe dowels, not of metal; drawers for furniture; lockers [furniture]; brush mountings; non-metallic empty tool boxes; nesting boxes for household pets; chests not of metal.

28 – Games, toys; Video game apparatus; gymnastic and sporting articles; decorations for Christmas trees; arcade video game machines; video game machines; climbing harnesses; tennis ball throwing apparatus; men's athletic supporters [sports articles]; swimming pools [play articles]; trampolines; golf bag tags; rackets; billiard cues; billiard balls; billiard markers; billiard tables; coin-operated billiard tables; bodyboards; punching bags; boxing gloves; rattles [playthings]; building blocks [toys]; twirling batons; boomerangs; teddy bears; stationary exercise bicycles; creels [fishing traps]; video game consoles; hand-held consoles for playing video games; golf bag carts; shuttlecocks; fishing lines; gut for fishing; rods for fishing; dumbbells; gyroscopes and flight stabilizers for reduced model aircraft; swings; yoga swings; needles for pumps for inflating balls for games; jigsaw puzzles; exercisers [expanders]; darts; bite sensors [fishing tackle]; hang gliders; joysticks for video games; bells for Christmas trees; spinning tops [toys]; discuses for sports; slide [game]; dominoes; swimming kick boards; surfboards; sailboards; spring boards [sports articles]; chessboards; checkerboards; drones [toys]; electronic targets; chest expanders

[exercisers]; poles for pole vaulting; counters [discs] for games; swimming jackets; ascenders [mountaineering equipment]; scent lures for hunting or fishing; protective films adapted for screens for portable games; protective paddings [parts of sports suits]; toy putty; fidget toys; toys for pets; stuffed toys; novelties for parties; novelty toys for playing jokes; toy imitation cosmetics; toy vehicles; toy models; toy pistols; toy air pistols; toy robots; remote-controlled toy vehicles; figurines [toys]; ring games; gaming machines for gambling; amusement machines, automatic and coin-operated; playhouses for children; playing cards; building games; balls for playing bowls; divot repair tools [golf accessories]; kaleidoscopes; bladders of balls for games; resin used by athletes; edges of skis; paper party hats; carnival masks; bingo cards; trading cards for games; skittles; skittles [games]; quoits; golf clubs; ice skates; roller skates; in-line roller skates; rocking horses; controllers for toys; controllers for game consoles; confetti; dice; kite reels; reels for fishing; chalk for billiard cues; ski bindings; party balloons; marbles for games; ammunition for paint pistols [sports accessories]; flippers for diving; flippers for swimmers; flying disks [toys]; skis; waterskis; surf skis; roller skis; surfboard leashes; bows for archery; dolls; dolls' clothes; dolls' houses; dolls' rooms; dolls' beds; mah-jong; puppets; masks [toys]; camouflage screens [sports articles]; scale model vehicles; matryochka dolls; ball-pitching machines; soap bubbles [toys]; hunting game calls; targets; toy mobiles; balls for games; board games; scale model kits [toys]; inflatable games for swimming pools; swimming pool air floats; artificial fishing bait; billiard table cushions; knee guards [sports articles]; billiard cue tips; elbow guards [sports articles]; play tents; backgammon games; water wings; pumps specially adapted for use with balls for games; table-top games; Christmas trees of synthetic materials; paddleboards; ski sticks; ski sticks for roller skis; paragliders; pachinko games; protective cups for sports; paintball guns [sports apparatus]; swimming webs; horseshoe games; sole coverings for skis; landing nets for anglers; Christmas tree stands; piñatas; percussion caps [toys]; caps for pistols [toys]; swimming belts; plush toys; security blankets [plush toys]; dolls' feeding bottles; kites; bite indicators [fishing tackle]; floats for fishing; portable games with liquid crystal displays; portable games and toys with integrated telecommunication functions; weight lifting belts [sports articles]; harness for sailboards; ornaments for Christmas trees, except illumination articles and confectionery; archery implements; decoys for hunting or fishing; apparatus for games; conjuring apparatus; fishing tackle; fish hooks; sling shots [sports articles]; baby gyms; rollers for stationary exercise bicycles; skateboards; baseball gloves; golf gloves; gloves [accessories for games]; roulette wheels; scooters [toys]; sledges [sports articles]; bobsleighs; skeleton sleds; candle holders for Christmas trees; nets for sports; butterfly nets; scratch cards for play-

ing lottery games; slot machines [gaming machines]; artificial snow for Christmas trees; snow globes; snowshoes; snowboards; barbells; starting blocks for sports; clay pigeon traps; tables for table tennis; rhythmic gymnastics ribbons; strings for rackets; gut for rackets; golf bags, with or without wheels; cricket bags; clay pigeons [targets]; theatrical masks; tennis nets; waist trimmer exercise belts; toy modeling dough; tricycles for infants [toys]; body-building apparatus; body-training apparatus [physical exercise]; machines for physical exercises; batting gloves [accessories for games]; appliances for gymnastics; bowling apparatus and machinery; fairground rides; fencing gauntlets; party poppers [party novelties]; hockey sticks; checkers [games]; shin guards [sports articles]; fencing weapons; fencing masks; chips for gambling; foosball tables; Christmas crackers [party novelties]; cups for dice; bags especially designed for skis; bags especially designed for surfboards; chess games; seal skins [coverings for skis]; masts for sailboards.

(260) AM 2024 123001 A

(800) 1731106

(151) 2023 01 31

(891) 2023 01 31

(731) ERC DISTRIBUTION AG

Poststrasse 14, CH-6302 Zug, Switzerland

(540)



(591) Black, white

(531) 27.05.17; 27.05.24; 27.07.17; 27.07.24

(511)

9 – Scientific, research, navigation, surveying, photographic, cinematographic, audiovisual, optical, weighing, measuring, signalling, detecting, testing, inspecting, life-saving and teaching apparatus and instruments; apparatus and instruments for conducting, switching, transforming, accumulating, regulating or controlling the distribution or use of electricity; apparatus and instruments for recording, transmitting, reproducing or processing sound, images or data; recorded and downloadable media, computer software, blank digital or analogue recording and storage media; cash registers, calculating devices; computers and computer peripheral devices; cordless telephones; smartphones; mobile telephones, cellular phones; holders adapted for mobile telephones and smartphones; in-car telephone handset cradles; headphones; sleeves for laptops; covers for tablet computers; automated teller machines [ATM]; steering devices, automatic, for vehicles; automatic indicators of low pressure in vehicle tires; parking meters; aerometers; asbestos clothing for protection against fire; asbestos gloves for protection against accidents; asbestos screens for firemen; actinometers; electric accumulators; electric accumulators for vehicles; acoustic couplers; alidades;

altimeters; ammeters; anemometers; anodes; anode batteries; antennas; anticathodes; apparatus to check franking; electric devices for remote ignition; X-ray producing apparatus and installations not for medical use; fermentation apparatus for laboratory use; remote control apparatus; testing apparatus not for medical use; apertometers [optics]; acidimeters for batteries; apparatus and instruments for astronomy; audiovisual teaching apparatus; luminous beacons; lighting ballasts; accumulator jars; barometers; ignition batteries; electric batteries; balances [steelyards]; betatrons; binoculars; computer memory devices; integrated circuits; digital notepads; fire hose nozzles; connected bracelets [measuring instruments]; bullet-proof vests; marking buoys; signaling buoys; directional compasses; scales; weighbridges; tone arms for record players; plumb bobs; vacuum gauges; variometers; solenoid valves [electromagnetic switches]; shoes for protection against accidents, irradiation and fire; terminals [electricity]; electric plugs; circuit breakers [electricity]; switchboxes [electricity]; gauges; measuring instruments; measuring apparatus; electric measuring apparatus; measures; current rectifiers; high-frequency apparatus; flow meters; branch boxes [electricity]; video screens; video cameras; video cassettes; video telephones; telephone answering machines; photographic viewfinders; viscosimeters; peepholes [magnifying lenses] for doors; electric switches; fire extinguishers; diving suits; fiber-optic cables; voltmeters; battery chargers; ear plugs for divers; gas analysis apparatus; gasometers [measuring instruments]; electric discharge tubes other than for lighting; galena crystals [detectors]; galvanic batteries; galvanic cells; galvanometers; hands-free kits for telephones; heliographic apparatus; surveying apparatus and instruments; weights; hygrometers; sonars; hydrometers; needles for record players; holograms; sound recording disks; lightning conductors; sounding leads; buzzers; loudspeakers; range finders (telemeters); decompression chambers; densimeters; densitometers; detectors; smoke detectors; counterfeit coin detectors; signal bells; electric alarm bells; bells [warning apparatus]; mirrors for inspecting work; mirrors [optics]; dictating machines; dynamometers; floppy disks; magnetic disks; optical disks; disk drives [for computers]; juke boxes for computers; telerupters; distillation apparatus for scientific use; diffraction apparatus [microscopy]; breathing apparatus for underwater swimming; breathing apparatus, except for artificial respiration; diagnostic apparatus, not for medical use; slide projectors; diaphragms for scientific apparatus; diaphragms [photography]; DNA chips; adding machines; dosage dispensers [dosimeters]; luminous or mechanical road signs; jigs [measuring instruments]; fuse wires; choking coils [impedance]; ovens for laboratory use; screens [photography]; exposure meters [light meters]; electrified rails for mounting spot lights; electric installations for the remote control of industrial operations; electric door bells; electro-dynamic apparatus

for the remote control of railway points; electro-dynamic apparatus for the remote control of signals; electrolyzers; electromagnetic coils; downloadable electronic publications; electronic tags for goods; electronic pocket translators; electronic collars to train animals; electronic pens [visual display units]; electronic notice boards; epidiascopes; ergometers; magnetic identification bracelets; electric locks; electronic agendas; voltage surge protectors; fuses; chargers for electronic cigarettes; protective suits for aviators; protection devices against X-rays, not for medical use; protective films adapted for computer screens; head guards for sports; mouth guards for sports; balancing devices; acoustic [sound] alarms; sound reproduction apparatus; sound recording carriers; sound recording apparatus; sound transmission apparatus; acoustic conduits; surveying instruments; wire connectors [electricity]; junction boxes [electricity]; couplers [data processing equipment]; connections for electric lines; electric couplings; connectors [electricity]; luminous signs; probes for scientific use; sounding apparatus and machines; readers [data processing equipment]; bar code readers; inverters [electricity]; pressure indicators; slope indicators; incubators for bacteria culture; interfaces [for computers]; ionization apparatus not for the treatment of air or water; spark-guards; electricity conduits; electric cables; coaxial cables; calipers; calibrating rings; calorimeters; pocket calculators; teeth protectors; capillary tubes for laboratory use; holders for electric coils; video game cartridges; carriers for dark plates [photography]; cassette players; cathodes; cathodic anti-corrosion devices; mouse pads; acid hydrometers; exposed cinematographic films; cinematographic cameras; push buttons for bells; covers for electric outlets; encoded magnetic cards; magnetic encoders; electric collectors; dog whistles; compact disks [audio-video]; optical compact disks; comparators; marine compasses; joysticks for use with computers, other than for video games; computer keyboards; computer printers; magnetic tape units [for computers]; recorded computer programs; electric apparatus for commutation; electrical condensers [capacitors]; optical condensers; electric contacts; contact lenses; boiler control instruments; correcting lenses [optics]; accumulator boxes; cabinets for loudspeakers; cosmographic instruments; clothing for protection against fire; laboratory pipettes; pedometers; graduated compasses; azimuth instruments; laboratory trays; logs [measuring instruments]; lasers not for medical use; lactodensimeters; lactometers; darkroom lamps [photography]; eyeglass chains; optical lenses; rulers [measuring instruments]; carpenters' rules; flashing lights [light signals]; flashlights [photography]; magic lanterns; optical lamps; counters; revolution counters; distance recording apparatus; mileage recorders for vehicles, kilometer recorders for vehicles; slide-rules; magnifying glasses [optics]; magnets; decorative magnets; magnetic wires; magnetic tapes; videotapes; crash test dummies; resuscitation mannequins [tea-

ching apparatus]; pressure gauges; solderers' helmets; protective masks, not for medical use; diving masks; mathematical instruments; materials for electricity mains [wires, cables]; money counting and sorting machines; material testing instruments and machines; weighing machines; furniture especially made for laboratories; megaphones; portable media players; metal detectors for industrial or military use; meteorological instruments; meteorological balloons; rules [measuring instruments]; dressmakers' measures; metronomes; mechanisms for counter-operated apparatus; mechanical signs; mouse [computer peripheral]; insulated copper wire; micrometers; micrometer screws for optical instruments; microprocessors; microscopes; microtomes; microphones; surveying chains; measuring spoons; modems; monitors [computer programs]; monitors [computer hardware]; devices for editing cinematographic films; nautical apparatus and instruments; marine depth finders; naval signaling apparatus; coin-operated musical automata [juke boxes]; animated cartoons; junction sleeves for electric cables; electric coils; inductors [electricity]; navigation apparatus for vehicles [on-board computers]; navigational instruments; teaching apparatus; knee-pads for workers; semiconductors; screw-tapping gauges; chargers for electric accumulators; neon signs; identification threads for electric wires; thread counters; surveyors' levels; leveling instruments; verniers; magnetic data media; optical data media; nose clips for divers and swimmers; notebook computers; objectives [lenses] [optics]; lenses for astrophotography; limiters [electricity]; sheaths for electric cables; egg caddlers; electrified fences; clothing for protection against fire; clothing for protection against accidents, irradiation and fire; special clothing for laboratories; ozonizers [ozonators]; octants; spectacles [optics]; sunglasses; goggles for sports; eyepieces; ohmmeters; electric resistances; eyeglass frames; optical glass; eyewear; optical readers; optical apparatus and instruments; sighting telescopes for firearms; protection devices for personal use against accidents; oscillographs; cleaning apparatus for sound recording discs; selfie sticks [hand-held monopods]; safety restraints other than for vehicle seats or sports equipment; pince-nez; stills for laboratory experiments; intercommunication apparatus; speaking tubes; transmitters [telecommunication]; transmitters of electronic signals; mechanisms for coin-operated apparatus; coin-operated mechanisms for television sets; oxygen transvasing apparatus; switchboards; commutators; spools [photography]; circuit breakers; electric converters; periscopes; punched card machines for offices; furnaces for laboratory use; drying racks [photography]; wrist rests for use with computers; pyrometers; egg timers [sandglasses]; planimeters; plane tables [surveying instruments]; plates for batteries; silicon boards for integrated circuits; printed circuit boards; sound recording strips; exposed films; plotters; fire engines; fire escapes; fire pumps; fire alarms; fire boats; fire beaters; fire hoses; levels

[instruments for determining the horizontal]; electric loss indicators; quantity indicators; wind socks for indicating wind direction; petrol gauges; gasoline gauges; water level indicators; sprinkler systems for fire protection; polarimeters; vehicle breakdown warning triangles; amplifying lamps; amplifiers; letter scales; prisms [optics]; receivers [audio, video]; air analysis apparatus; food analysis apparatus; distance measuring apparatus; appliances for measuring the thickness of leather; apparatus for measuring the thickness of skins; speed checking apparatus for vehicles; time recording apparatus; instruments containing eyepieces; weighing apparatus and instruments; Global Positioning System [GPS] apparatus; particle accelerators; railway traffic safety appliances; speed measuring apparatus [photography]; invoicing machines; video recorders; tape recorders; apparatus for changing record player needles; data processing apparatus; film cutting apparatus; test tubes; electric conductors; electric wires; telephone wires; ducts [electricity]; record players; compact disc players; DVD players; computer game programs; downloadable computer programs; recorded computer operating programs; software [recorded programs]; projection apparatus; projection screens; transparencies [photography]; washing trays [photography]; respiratory masks other than for artificial respiration; anti-interference devices [electricity]; anti-glare glasses; anti-dazzle shades; electric installations for theft prevention; anti-theft warning apparatus; fire blankets; processors [central processing units]; rods for water diviners; plumb lines; control panels [electricity]; starter cables for motors; radar apparatus; vehicle radios; vacuum tubes [radio]; radiological apparatus for industrial use; radiology screens for industrial use; radio pagers; transmitting sets [telecommunication]; radios; radiotelegraphy sets; radiotelephony sets; masts for wireless aerials; frames for photographic transparencies; screens for photoengraving; abacuses; calculating machines; voting machines; walkie-talkies; electric regulating apparatus; stage lighting regulators; voltage regulators for vehicles; electric light regulators [dimmers]; speed regulators for record players; reducers [electricity]; leveling staffs [surveying instruments]; marking gauges [joinery]; electric relays; cell phone straps; X-ray apparatus not for medical use; exposed x-ray films; X-ray tubes not for medical use; X-ray photographs, other than for medical use; rheostats; respirators for filtering air; retorts; refractometers; refractors; grids for batteries; downloadable ringtones for mobile telephones; demagnetizing apparatus for magnetic tapes; identification sheaths for electric wires; magnetic identity cards; distribution consoles [electricity]; distribution boxes [electricity]; distribution boards [electricity]; slide calipers; mercury levels; diving gloves; gloves for protection against X-rays for industrial use; gloves for protection against accidents; horns for loudspeakers; life-saving apparatus and equipment; safety tarpaulins; life buoys; life jackets; life-saving rafts; life

belts; safety nets; whistle alarms; reflective articles for wear for the prevention of accidents; reflective safety vests; optical fibers [light conducting filaments]; blueprint apparatus; light-emitting diodes [LED]; light-emitting electronic pointers; filters for photography; traffic-light apparatus [signaling devices]; sextants; non-explosive fog signals; luminous or mechanical signals; signal lanterns; alarms; signaling whistles; signaling panels, luminous or mechanical; sirens; nets for protection against accidents; scanners [explorers] [data processing equipment]; spectacle lenses; graduated glassware; smart watches; smart glasses; salinometers; solar batteries; spectrograph apparatus; spectrometers; spirit levels; alcohol meters; speed indicators; monitoring apparatus other than for medical use; observation instruments; shutter releases [photography]; personal stereos; stereoscopes; stereoscopic apparatus; head cleaning tapes; sulfimeters; satellites for scientific use; satellite navigation apparatus; drying apparatus for photographic prints; spherometers; printed circuits; chips [integrated circuits]; time clocks [time recording devices]; taximeters; tachometers; television apparatus; telegraphs [apparatus]; teleprinters; telegraph wires; telescopes; teleprompters; portable telephones; telephone apparatus; telephone transmitters; telephone receivers; temperature indicators; theodolites; heat regulating apparatus; thermionic tubes; thermionic valves; thermometers, not for medical use; thermostats; thermostats for vehicles; crucibles [laboratory]; pressure measuring apparatus; pressure indicator plugs for valves; totalizers; precision balances; precision measuring apparatus; transformers [electricity]; transponders; protractors [measuring instruments]; step-up transformers; simulators for the steering or control of vehicles; retorts' stands; tripods for cameras; triodes; sounding lines; urinometers; downloadable image files; downloadable music files; facsimile machines; apparatus and instruments for physics; filters for ultraviolet rays for photography; filters for respiratory masks; wearable activity trackers; USB flash drives; fluorescent screens; cameras [photography]; flash-bulbs [photography]; glazing apparatus for photographic prints; drainers for use in photography; photovoltaic cells; shutters [photography]; enlarging apparatus [photography]; photocopiers; darkrooms [photography]; photometers; phototelegraphy apparatus; containers for contact lenses; eyeglass cases; cases for smartphones; containers for microscope slides; cases especially made for photographic apparatus and instruments; wavemeters; chemistry apparatus and instruments; chromatography apparatus for laboratory use; chronographs [time recording apparatus]; laboratory centrifuges; centering apparatus for photographic transparencies; cyclotrons; saccharometers; automatic time switches; frequency meters; hard covers for smartphones; eyeglass cords; riding helmets; protective helmets for sports; protective helmets; sound locating instruments; workmen's protective face-shields; armatures [electricity].

11 – Apparatus and installations for lighting, heating, cooling, steam generating, cooking, drying, ventilating, water supply and sanitary purposes; Lamp shades; electric autoclaves for cooking; aquarium lights; aquarium heaters; aquarium filtration apparatus; steam accumulators; heat accumulators; anti-glare devices for vehicles [lamp fittings]; defrosters for vehicles; hot air apparatus; book sterilization apparatus; air deodorizing apparatus; loading apparatus for furnaces; tanning beds; apparatus for dehydrating food waste; ionization apparatus for the treatment of air or water; beverage-cooling apparatus; air cooling devices; gas scrubbing apparatus; oil-scrubbing apparatus; desiccating apparatus; coffee roasters; whirlpool-jet apparatus; drying apparatus for fodder and forage; hand-drying apparatus for washrooms; water filtering apparatus; swimming pool chlorinating apparatus; grills [cooking appliances]; steam facial apparatus [saunas]; heating and cooling apparatus for dispensing hot and cold beverages; air purification apparatus and machines; water softening apparatus and installations; light-emitting diode [LED] lighting apparatus; lighting apparatus and installations; underfloor heating apparatus and installations; hydromassage bath apparatus; acetylene generators; acetylene flares; acetylene burners; germicidal lamps for purifying air; barbecues; bidets; laundry room boilers; washing coppers; bathtubs; spa baths; electric cooktops; electric waffle irons; bicycle lights; fans [air-conditioning]; fans [parts of air-conditioning installations]; electric fans for personal use; ventilation [air-conditioning] installations for vehicles; ventilation [air-conditioning] installations and apparatus; kilns; evaporators; extractor hoods for kitchens; ventilation hoods; ventilation hoods for laboratories; fabric steamers; pressurized water tanks; water conduits installations; pipes [parts of sanitary installations]; water intake apparatus; water heaters; water purification installations; water purifying apparatus and machines; water supply installations; water flushing installations; flushing tanks; carbon for arc lamps; gas condensers other than parts of machines; gas boilers; gas burners; gas lamps; gas scrubbers [parts of gas installations]; microbubble generators for baths; hydrants; fairy lights for festive decoration; wicks adapted for oil stoves; hearths; rotisseries; hot water bottles; warming pans; foot warmers, electric or non-electric; bed warmers; electric food dehydrators; disinfectant apparatus; disinfectant apparatus for medical use; deodorizing apparatus not for personal use; fog machines; chimney flues; disinfectant apparatus for dispensing solutions into water pipes for sanitary installations; stills; distillation apparatus; distillation columns; arc lamps; showers; shower cubicles; electric beverage urns; flues for heating boilers; feeding apparatus for heating boilers; immersion heaters; friction lighters for igniting gas; gas lighters; safety accessories for water or gas apparatus and pipes; chimney blowers; humidifiers for central heating radiators; air humidifiers; coils [parts of distilling, heating

or cooling installations]; furnace ash boxes; drip irrigation emitters [irrigation fittings]; electric appliances for making yogurt; electric coffee machines; coffee capsules, empty, for electric coffee machines; heating apparatus; lava rocks for use in barbecue grills; domestic fireplaces; hot air ovens; electrically heated carpets; oxyhydrogen burners; Chinese lanterns; pocket warmers; level controlling valves in tanks; air valves for steam heating installations; electric blankets, not for medical use; furnace grates; air conditioners for vehicles; taps for pipes and pipelines; mixer taps for water pipes; taps; radiator caps; portable forges; electric cooking utensils; cooking apparatus and installations; cooking rings; kitchen ranges [ovens]; cookers (cooking stoves); laboratory lamps; laboratory burners; lamps for lighting; curling lamps; curing lamps not for medical use; nail lamps; electric lamps; lamp chimneys; electric lights for Christmas trees; safety lamps; street lamps; lights for automobiles; lanterns for lighting; lights for vehicles; candle lanterns; electric flashlights; headlamps; chandeliers; oil lamps; ice-cream making machines; electric pounded rice cake making machines for household use; electric soy milk making machines; ice-cube machines and apparatus; microwave ovens [cooking apparatus]; microwave ovens for industrial use; freezers; motorcycle lights; multi-cookers; air fryers; foot muffs, electrically heated; heating apparatus for defrosting windows of vehicles; heating elements; hot plates; heaters for baths; electric heaters for feeding bottles; heaters for heating irons; air reheaters; brackets for gas burners; structural plates for ovens; electric heating filaments; magnesium filaments for lighting; filaments for electric lamps; luminous house numbers; heating plates; stoves [heating apparatus]; fumigation apparatus not for medical use; hot air bath fittings; electrically heated clothing; hot water heating installations; heating installations; heaters for vehicles; electric heating apparatus; heating apparatus for solid, liquid or gaseous fuels; heating boilers; kiln furniture [supports]; dehumidifiers; coolers for furnaces; electric cool boxes; purification installations for sewage; burners; germicidal burners; burners for lamps; oil burners; electric food steamers; boilers other than parts of machines; steam boilers, other than parts of machines; pasteurizers; sockets for electric lamps; portable Turkish bath cabinets; electric coffee percolators; bakers' ovens; dental ovens; ovens, other than for laboratory use; diving lights; plate warmers; urinals; lamp globes; electric heating cushions, not for medical use; automatic watering installations; watering machines for agricultural purposes; polymerization installations; electric tortilla presses; heated display cabinets; cooling apparatus and installations; electric vacuum cookers; electric couscous cookers; electric chocolate fountains; USB-powered hand warmers; air-conditioning apparatus; glue-heating appliances; roasting jacks; USB-powered cup heaters; searchlights; washers for water taps; anti-splash tap nozzles; radiators

[heating]; electric radiators; central heating radiators; sinks; refining towers for distillation; heat regenerators; regulating accessories for water or gas apparatus and pipes; regulating and safety accessories for water apparatus; regulating and safety accessories for gas apparatus; regulating and safety accessories for gas pipes; dampers [heating]; lamp reflectors; vehicle reflectors; roasting spits; incandescent burners; expansion tanks for central heating installations; sanitary apparatus and installations; bath fittings; standard lamps; lighting apparatus for vehicles; light bulbs; electric light bulbs; directional lights for bicycles; light projectors; light diffusers; toilet seats; bathtubs for sitz baths; hydroponic growing systems; lamp glasses; incinerators; solar furnaces; thermal-conversion solar collectors [heating]; alcohol burners; ceiling lights; sterilizers; water sterilizers; air sterilizers; clean chambers [sanitary installations]; electric laundry dryers; malt roasters; tobacco roasters; fruit roasters; air dryers; drying apparatus and installations; electric tajines; heat pumps; heat guns; heat exchangers other than parts of machines; electric thermo-pots; thermostatic valves [parts of heating installations]; floor lamps; toasters; lampshade holders; boiler pipes [tubes] for heating installations; electric discharge tubes for lighting; luminous tubes for lighting; toilets [WC]; portable toilets; ultraviolet ray lamps not for medical use; wash-hand basins [parts of sanitary installations]; toilet bowls; automatic ash conveyor installations; bath installations; steam generating installations; desalination plants; air conditioning installations; installations for processing nuclear fuel and nuclear moderating material; water cooling installations; milk cooling installations; cooling installations for liquids; cooling installations for tobacco; lighting installations for air vehicles; water distribution installations; sauna bath installations; air filtering installations; flaming torches; flare stacks for use in the oil industry; headlights for automobiles; vehicle headlights; fittings, shaped, for ovens; hair dryers; air filters for air conditioning; filters for drinking water; fountains; ornamental fountains; electric deep fryers; oven fittings made of fire clay; bread baking machines; bread-making machines; refrigerators; refrigerators, cooling apparatus and freezers for medical storage purposes; refrigerating apparatus and machines; refrigerating containers; refrigerating chambers; refrigerating display cabinets; refrigerating apparatus and installations; refrigerating cabinets; chromatography apparatus for industrial use; lamp mantles; electric kettles; electric wine cellars; miners' lamps; electrically heated socks; nuclear reactors; chemically activated heating packets for warming feet, not for medical use; chemically activated cooling packets for cooling feet, not for medical use; chemically activated heating packets for warming hands, not for medical use; chemically activated cooling packets for cooling hands, not for medical use; electric heating pads; chemically heated pads, not for medical use; electrically heated boots.



12 – Vehicles; Apparatus for locomotion by land, air or water; motor buses; motor coaches; gyrocopters; lorries; self-driving cars; automobiles; sports cars; ambulances; concrete mixing vehicles; automobile hoods; automobile bodies; automobile chains; cigar lighters for automobiles; automobile chassis; automobile tires; autonomous underwater vehicles for seabed inspections; refrigerated vehicles; camping cars; dirigible balloons (airships); hot-air balloons; shock absorbers for automobiles; suspension shock absorbers for vehicles; anti-glare devices for vehicles; luggage carriers for vehicles; ski carriers for automobiles; bumpers for automobiles; vehicle bumpers; tires for vehicle wheels; bands for wheel hubs; barges; launches; brake shoes for vehicles; safety seats for children, for vehicles; driverless cars [autonomous cars]; side view mirrors for vehicles; tailboard lifts [parts of land vehicles]; caravans; buffers for railway rolling stock; mine cars; tilt trucks; railway carriages; sleeping cars; dining cars; refrigerated railway wagons; trucks with a crane feature incorporated; bicycles; electric bicycles; bicycle kickstands; bicycle brakes; bicycle motors; bicycle bells; dress guards for bicycles; bicycle handlebars; bicycle wheels; bicycle chains; bicycle pedals; bicycle frames; bicycle saddles; bicycle cranks; gears for bicycles; bicycle tires; tubeless tires for bicycles; bicycle mudguards; helicopters; pushchair hoods; oars for boats; paddles for canoes; sculls; forklift trucks; handling carts; bogies for railway cars; hose carts; casting carriages; tilting-carts; two-wheeled trolleys; cleaning trolleys; shopping trolleys; fishing trolleys; trolleys; carts; roll cage trolleys; scooters for people with reduced mobility; windows for vehicles; lug nuts for vehicle wheels; vehicle brakes; screws [propellers] for ships; helicams; hydraulic circuits for vehicles; seaplanes; torque converters for land vehicles; self-balancing boards; self-balancing scooters; ski lifts; hydroplanes; golf carts [vehicles]; racing cars; bellows for articulated buses; screw-propellers; screw-propellers for boats; treads for vehicles [roller belts]; doors for vehicles; engines for land vehicles; shock absorbing springs for vehicles; vehicle joysticks; diving bells; rearview mirrors; funnels for locomotives; funnels for ships; brake disks for vehicles; handcars; military drones; delivery drones; camera drones; civilian drones; tow trucks; horse-drawn carriages; electric motors for land vehicles; railway couplings; sun-blinds adapted for automobiles; spoke clips for wheels; horns for vehicles; dredgers [boats]; trailer hitches for vehicles; couplings for land vehicles; portholes; cars for cable transport installations; inner tubes for bicycle tires; inner tubes for pneumatic tires; canoes; hoods for vehicle engines; hoods for vehicles; crankcases for land vehicle components other than for engines; ejector seats for aircraft; rudders; steering wheels for vehicles; kick sledges; valves for vehicle tires; clips adapted for fastening automobile parts to automobile bodies; hub caps; mine cart wheels; vehicle wheels; casters for carts [vehicles]; brake

pads for automobiles; pushchairs; pet strollers; baby carriages; aerial conveyors; ships; gear boxes for land vehicles; ships' hulls; space vehicles; rowlocks; baskets adapted for bicycles; fenders for ships; caps for vehicle fuel tanks; cleats [nautical]; chairlifts; vehicle seats; wheelchairs; vehicle bodies; tipping bodies for trucks; anti-skid chains; adhesive rubber patches for repairing inner tubes; airplanes; amphibious airplanes; aircraft; locomotives; hubs for bicycle wheels; hubs for vehicle wheels; steering devices for ships; self-balancing electric unicycles; engine mounts for land vehicles; mopeds; motor scooters; motorcycle kickstands; motorcycle engines; motorcycle handlebars; side cars; motorcycle chains; motorcycle frames; motorcycle saddles; motorcycles; freewheels for land vehicles; fitted footmuffs for strollers; fitted footmuffs for baby carriages; clutches for land vehicles; repair outfits for inner tubes; brake linings for vehicles; pumps for bicycle tires; vehicle upholstery; rims for bicycle wheels; vehicle wheel rims; axles; axle journals; parachutes; safety belts for vehicle seats; security harness for vehicle seats; gearing for land vehicles; caissons [vehicles]; tipping apparatus [parts of railway wagons]; vehicle suspension springs; headrests for vehicle seats; vehicle running boards; tire mousse inserts; aeronautical apparatus, machines and devices; air pumps [vehicle accessories]; air bags [safety devices for automobiles]; signal arms for vehicles; casings for pneumatic tires; sprinkling trucks; pontoons; ashtrays for automobiles; ferry boats; non-skid devices for vehicle tires; anti-theft devices for vehicles; trailers [vehicles]; bicycle trailers; trailers for transporting bicycles; balance weights for vehicle wheels; anti-theft alarms for vehicles; fitted pushchair mosquito nets; spars for ships; jet engines for land vehicles; reduction gears for land vehicles; robotic cars; disengaging gear for boats; rolling stock for railways; rolling stock for funicular railways; propulsion mechanisms for land vehicles; scooters [vehicles]; sleighs [vehicles]; rescue sleds; brake segments for vehicles; reversing alarms for vehicles; luggage nets for vehicles; windshields; windshield wipers; headlight wipers; garbage trucks; snowmobiles; sleeping berths for vehicles; spokes for bicycle wheels; vehicle wheel spokes; spoilers for vehicles; inclined ways for boats; treads for retreading tires; boat hooks; panniers adapted for bicycles; saddlebags adapted for bicycles; bags designed for strollers; panniers adapted for motorcycles; wheelbarrows; telfer railways [cable cars]; torsion bars for vehicles; tractors; tramcars; transmission mechanisms for land vehicles; transmission shafts for land vehicles; transmission chains for land vehicles; military vehicles for transport; armored vehicles; vehicles for locomotion by land, air, water or rail; electric vehicles; remotely operated vehicles for underwater inspections; remote-controlled vehicles other than toys; air cushion vehicles; all-terrain vehicles; tricycles; delivery tricycles; amphibious vehicles; cup holders for vehicles; turbines for land vehi-

les; towing trucks; driving motors for land vehicles; drive chains for land vehicles; cable transport apparatus and installations; flanges for railway wheel tires; funiculars; vans [vehicles]; undercarriages for vehicles; boats; pushchair covers; covers for vehicle steering wheels; spare wheel covers; seat covers for vehicles; saddle covers for bicycles; saddle covers for motorcycles; vehicle covers [shaped]; vehicle chassis; connecting rods for land vehicles other than parts of motors and engines; tires for snowplows; tires; solid tires for vehicle wheels; spikes for tires; davits for watercraft; timbers [frames] for ships; vehicle bonnet pins; mudguards; masts for boats; yachts.

16 – Paper and cardboard; Photographs; stationery and office requisites, except furniture; drawing materials and materials for artists; plastic sheets, films and bags for wrapping and packaging; printing type, printing blocks; fountain pens; address plates for addressing machines; address stamps; addressing machines; aquarelles; albums; almanacs; bookbinding apparatus and machines [office equipment]; papers for painting and calligraphy; architects' models; atlases; banknotes; paper bows, other than haberdashery or hair decorations; name badges [office requisites]; baggage claim check tags of paper; tags for index cards; biological samples for use in microscopy [teaching materials]; forms, printed; glitter for stationery; pads [stationery]; drawing pads; wristbands for the retention of writing instruments; pamphlets; booklets; plastic bubble packs for wrapping or packaging; rollers for typewriters; house painters' rollers; composing sticks; signboards of paper or cardboard; sewing patterns; viscose sheets for wrapping; greeting cards; drawer liners of paper, perfumed or not; cream containers of paper; waxed paper; charcoal pencils; newspapers; electrotypes; hectographs; geographical maps; shields [paper seals]; toilet paper; bunting of paper; histological sections for teaching purposes; modeling clay; polymer modeling pastes; terrestrial globes; drawing sets; engraving plates; engravings; graphic representations; graphic reproductions; graining combs; pencil leads; rubber erasers; elastic bands for offices; adhesive tape dispensers [office requisites]; sleeved bibs of paper; bibs of paper; diagrams; punches [office requisites]; advertisement boards of paper or cardboard; galley racks [printing]; typewriters [electric or non-electric]; printed matter; printed publications; graphic prints; prints [engravings]; labels of paper or cardboard; hand labeling appliances; magazines [periodicals]; bookmarkers; notebooks; money clips; paper clasps; pen clips; clips for name badge holders [office requisites]; moisteners [office requisites]; moisteners for gummed surfaces [office requisites]; binding strips [bookbinding]; erasing products; writing board erasers; transfers (decalcomanias); writing or drawing books; handwriting specimens for copying; non-electric credit card imprinters; newsletters; calendars; tracing patterns; tracing paper; tracing cloth; gums [adhesives] for stationery or household purposes; ink sto-

nes [ink reservoirs]; framed or unframed paintings [pictures]; announcement cards [stationery]; trading cards other than for games; cards; wood pulp board [stationery]; cardboard tubes; binders [office requisites]; catalogs; flower-pot covers of paper; manifolds [stationery]; tickets; typewriter keys; glue for stationery or household purposes; adhesive bands for stationery or household purposes; adhesive tapes for stationery or household purposes; gluten [glue] for stationery or household purposes; adhesives [glues] for stationery or household purposes; books; bookends; comic books; coloring books; drawing pins; thumbtacks; envelopes [stationery]; carbon paper; copying paper [stationery]; tracing needles for drawing purposes; duplicators; correcting fluids [office requisites]; correcting ink [heliography]; cardboard hat boxes; boxes of paper or cardboard; drawing squares; spools for inking ribbons; retractable reels for name badge holders [office requisites]; tailors' chalk; chalk for lithography; spray chalk; drawing boards; drawing instruments; French curves; drawing pens; starch paste [adhesive] for stationery or household purposes; printed coupons; document laminators [for office use]; absorbent sheets of paper or plastic for foodstuff packaging; sheets of reclaimed cellulose for wrapping; humidity control sheets of paper or plastic for foodstuff packaging; musical greeting cards; flyers; drawing rulers; steel letters; lithographs; lithographic works of art; lithographic stones; paint trays; pictures; plastics for modeling; sealing compounds for stationery purposes; bookbinding material; modeling materials; packaging material made of starches; envelope sealing machines for offices; sealing machines for offices; franking machines for office use; pencil sharpening machines, electric or non-electric; plastic bags for pet waste disposal; garbage bags of paper or of plastics; modeling wax not for dental use; painters' easels; padding materials of cardboard or paper; stuffing of paper or cardboard; portable printing sets [office requisites]; teaching material except apparatus; stickers [stationery]; dental tray covers of paper; fingerstalls for office use; table runners of paper; writing cases [stationery]; writing cases [sets]; paper knives [letter openers]; paper creasers [office requisites]; handkerchiefs of paper; printed sheet music; numbering apparatus; wrappers [stationery]; protective covers for books; passport holders; sealing wafers; index cards [stationery]; indexes; arithmetical tables; oleographs; pencils; pencil lead holders; slate pencils; bottle wrappers of paper or cardboard; office requisites except furniture; office perforators; etchings; etching needles; printers' blankets not of textile; bags for microwave cooking; bottle envelopes of paper or cardboard; conical paper bags; paper bags for sterilization of medical instruments; padding [cushioning, stuffing] materials of paper or cardboard; palettes for painters; pantographs [drawing instruments]; papier mâché; paper sheets [stationery]; electrocardiograph paper; paper for recording machines; paper for medical examination tables; wrapping

paper; paper for radiograms; wood pulp paper; luminous paper; document files [stationery]; folders for papers; loose-leaf binders; ring binders; pastels [crayons]; modeling paste; pen cases; paintbrushes; painters' brushes; nibs; nibs of gold; steel pens; parchment paper; periodicals; pen wipers; perforated cards for Jacquard looms; seals [stamps]; writing chalk; writing materials; writing paper; writing slates; writing instruments; writing brushes; letter trays; trays for sorting and counting money; handbooks [manuals]; hand-rests for painters; stands for pens and pencils; photograph stands; paper coasters for decanters; mats of paper for beer glasses; stamp stands; desk mats; table mats of paper; place mats of paper; song books; posters; clipboards [office requisites]; plastic film for wrapping; extensible plastic cling film for palletization; animation cels; paper shredders for office use; stamp pads; banners of paper; canvas for painting; cloth for bookbinding; gummed cloth for stationery purposes; portraits; postcards; postage stamps; obliterating stamps; flags of paper; paperweights; vignetting apparatus; apparatus for mounting photographs; blotters; prospectuses; printers' galleys; ledgers [books]; drawing T-squares; isinglass for stationery or household purposes; rice paper; paper cutters [office requisites]; printed timetables; marking chalk; pens [office requisites]; marking pens [stationery]; pen holders; face towels of paper; hand towels of paper; self-adhesive tapes for stationery or household purposes; plans; tissues of paper for removing make-up; paper wipes for cleaning; table napkins of paper; cigar bands; tablecloths of paper; staples for offices; scrapers [erasers] for offices; paper clips; silver paper; steatite [tailor's chalk]; stapling presses [stationery]; composing frames [printing]; table linen of paper; balls for ball-point pens; typewriter ribbons; correcting tapes [office requisites]; paper ribbons, other than haberdashery or hair decorations; gummed tape [stationery]; paper tapes or cards for the recording of computer programs; barcode ribbons; bags [envelopes, pouches] of paper or plastics, for packaging; sealing wax; embroidery patterns; placards of paper or cardboard; fabrics for bookbinding; stationery; pencil sharpeners, electric or non-electric; transparencies [stationery]; stencils; stencils [stationery]; stencil plates; stencils for decorating food and beverages; mimeograph apparatus and machines; document holders (stationery); chalk holders; pencil holders; holders for checkbooks; holders for stamps [seals]; name badge holders [office requisites]; page holders; Indian inks; chart pointers, non-electronic; paint boxes [for use in school]; figurines of papier mâché; statuettes of papier mâché; paper coffee filters; filter paper; filtering materials of paper; molds for modeling clays [artists' materials]; photoengravings; photographs [printed]; cases for stamps [seals]; chromolithographs [chromos]; compasses for drawing; numbers [type]; artists' watercolor saucers; inks; inkwells; inking sheets for duplicators; inking sheets for document reproducing ma-

chines; inking pads; inkstands; ink sticks; inking ribbons; square rulers for drawing; stencil cases; erasing shields; cabinets for stationery [office requisites]; school supplies; blackboards; cords for bookbinding; type [numerals and letters]; stamps [seals]; sealing stamps; washi [Japanese paper].

18 – Leather and imitations of leather; Animal skins and hides; luggage and transport bags; umbrellas and parasols; walking sticks; whips, harness and saddlery; collars, leashes and clothing for animals; card cases [wallets]; suitcases [carrying cases]; trunks [luggage]; attaché cases; key cases; vanity cases, not fitted; purses; wallets; chain mesh purses; reusable shopping bags; bags [envelopes, pouches] of leather for packaging; haversacks; music cases; parasols; leather straps; shoulder belts [straps] of leather; beach bags; traveling trunks; briefcases [leatherware]; rucksacks [backpacks]; suitcase handles; umbrella handles; traveling bags; net bags for shopping; cases of leather or leatherboard; sports bags; bags for climbers; sling bag for carrying babies; handbags; pouch baby carriers; wheeled shopping bags; garment bags for travel; travel sets [leatherware]; bags for campers; credit card cases [wallets]; umbrella covers; school bags.

20 – Furniture, mirrors, picture frames; Transport or storage containers not of metal; unworked or semi-worked bone, horn, whalebone or mother-of-pearl; moldings for picture frames; bamboo curtains; barrels, not of metal; library shelves; pulleys of plastics for blinds; bolts, not of metal; casks of wood for decanting wine; casks, not of metal; identification bracelets not of metal; kennels for household pets; mooring buoys, not of metal; yellow amber; ambroid plates; ambroid bars; sideboards; loading pallets not of metal; empty tool chests not of metal; work benches; vice benches [furniture]; signboards of wood or plastic materials; cabinet work; high chairs for children; display stands; trolleys [furniture]; window fittings, not of metal; showcases [furniture]; jewelry organizer displays; wind chimes (decoration); clothes hangers; bag hangers not of metal; hat stands; valet stands; coat stands; towel stands [furniture]; non-electric fans for personal use; oil drainage containers, not of metal; packaging containers of plastic materials; containers, not of metal, for liquid fuel; tanks, not of metal nor masonry; slatted indoor blinds; comb foundations for beehives; beehives; newspaper display stands; nuts, not of metal; wardrobes; hooks, not of metal, for clothes rails; curtain hooks; clothes hooks, not of metal; screws, not of metal; screw tops, not of metal, for bottles; door fittings not of metal; doors for furniture; wood ribbons; door bells, not of metal, non-electric; divans; chaises longues; fixed non-metallic dispensers for dog waste bags; towel dispensers, fixed, not of metal; bassinets; cots for babies; boards for hanging keys; ladders of wood or plastics; stair carpet rods; dowels, not of metal; screens for fireplaces [furniture]; shelving units; labels of plastic materials; troughs,

not of metal, for mixing mortar; curtain tie-backs; plugs, not of metal; rivets, not of metal; sealing caps, not of metal; locks, not of metal, for vehicles; padlocks, other than electronic, not of metal; locks, other than electric, not of metal; bead curtains for decoration; indoor blinds [furniture]; Indoor blinds of paper; indoor blinds of woven wood; indoor blinds of textile materials; bottle closures, not of metal; window fasteners, not of metal; door bolts, not of metal; clips, not of metal, for cables and pipes; plastic clips for sealing bags; bumper guards for cots, other than bed linen; removable covers for sinks; removable mats for sinks; identity plates, not of metal; display boards; settees; jerrycans, not of metal; bedsteads of wood; curtain rails; curtain rods; plastic key cards, not encoded and not magnetic; index cabinets [furniture]; lecterns; mats for infant playpens; sleeping mats; animal claws; shoe pegs, not of metal; tent pegs not of metal; curtain rings; split rings, not of metal, for keys; water-pipe valves of plastic; drain traps [valves] of plastic; valves, not of metal, other than parts of machines; staves of wood; keys made of plastic materials; latches, not of metal; book rests; bookcases [furniture]; bottle caps not of metal; saw horses; bed casters not of metal; furniture casters, not of metal; chopping blocks [tables]; chests of drawers; containers, not of metal [storage, transport]; desks; animal hooves; coral; corks; bottle stoppers; fodder racks; boxes of wood or plastic materials; nesting boxes; wooden reels for yarn, silk, cord; winding spools, not of metal, non-mechanical, for flexible hoses; reels, not of metal, non-mechanical, for flexible hoses; fishing baskets; baskets not of metal; hampers [baskets] for the transport of items; taps, not of metal, for casks; drafting tables; closures, not of metal, for containers; binding screws, not of metal, for cables; chairs [seats]; hairdressers' chairs; armchairs; edgings of plastic for furniture; picture frame brackets; brackets, not of metal, for furniture; benches [furniture]; Moses baskets; beds for household pets; air beds, not for medical use; beds; hospital beds; playpens for babies; mannequins; massage tables; imitation tortoiseshell; water beds other than for medical use; air mattresses not for medical use; camping mattresses; mattresses; reusable baby-changing mats; furniture partitions of wood; furniture shelves; furniture of metal; honeycombs; mobiles [decoration]; door knockers, not of metal; meerscham; shells; inflatable furniture; inflatable publicity objects; shoulder poles [yokes]; legs for furniture; house numbers, not of metal, non-luminous; number plates, not of metal; loading gauge rods, not of metal, for railway wagons; cask hoops, not of metal; decorations of plastic for foodstuffs; poles, not of metal; stuffed birds; stuffed animals; bed bases; office furniture; reeds [plaiting materials]; tortoiseshell; bakers' bread baskets; free-standing partitions [furniture]; dinner wagons [furniture]; saw benches [furniture]; writing desks; head-rests [furniture]; transport pallets, not of metal; handling pallets, not of metal; trays, not of metal; sta-

kes, not of metal, for plants or trees; feet for furniture; trestles [furniture]; umbrella stands; cask stands, not of metal; flower-pot pedestals; flower-stands [furniture]; stands for calculating machines; floating containers, not of metal; picture rods [frames]; wickerwork; mirror tiles; busts of wood, wax, plaster or plastic; costume stands; pillows; cushions; pet cushions; head positioning pillows for babies; air cushions, not for medical use; air pillows, not for medical use; bolsters; head support cushions for babies; anti-roll cushions for babies; shelves for storage; shelves for file cabinets; bathtub grab bars, not of metal; silvered glass [mirrors]; bedding except linen; letter boxes, not of metal or masonry; counters [tables]; window openers, not of metal, non-electric; door openers, not of metal, non-electric; window closers, not of metal, non-electric; door closers, not of metal, non-electric; stoppers, not of glass, metal or rubber; embroidery frames; sections of wood for beehives; plastic ramps for use with vehicles; registration plates, not of metal; horn, unworked or semi-worked; stag antlers; animal horns; crucifixes of wood, wax, plaster or plastic materials, other than jewelry; window pulleys, not of metal; curtain rollers; rattan; door handles, not of metal; knobs, not of metal; hand-held mirrors [toilet mirrors]; bins, not of metal; toy chests; corozo; dog kennels; straw plaits; straw mattresses; straw edgings; sofas; plaited straw, except matting; statuettes of wood, wax, plaster or plastic materials; statues of wood, wax, plaster or plastic materials; racks [furniture]; magazine racks; bottle racks; gun racks; plate racks; table tops; seats; bath seats for babies; shower chairs; seats of metal; step stools, not of metal; plugs [dowels], not of metal; scratching posts for cats; typing desks; standing desks; console tables [furniture]; tables of metal; wall-mounted baby-changing tables; portable desks; tables; carts for computers [furniture]; lap desks; tea carts; window stops, not of metal or rubber; door stops, not of metal or rubber; stepladders not of metal; oyster shells; mobile boarding stairs, not of metal, for passengers; placards of wood or plastics; stools; footstools; crates; works of art of wood, wax, plaster or plastic; curtain holders not of textile materials; coffins; dressing tables; bathroom vanities [furniture]; washstands [furniture]; funerary urns; figurines made of wood, wax, plaster or plastic; hand-held flagpoles, not of metal; bed fittings, not of metal; coffin fittings, not of metal; furniture fittings not of metal; bottle casings of wood; runners, not of metal, for sliding doors; infant walkers; collars, not of metal, for fastening pipes; vats not of metal; covers for clothing [wardrobe]; garment covers [storage]; hinges, not of metal; cupboards; filing cabinets; meat safes; medicine cabinets; luggage lockers; deck chairs; screens [furniture]; school furniture; birdhouses; sash fasteners, not of metal, for windows; door fasteners, not of metal; shoe dowels, not of metal; drawers for furniture; lockers [furniture]; brush mountings; non-meta-

llic empty tool boxes; nesting boxes for household pets; chests not of metal.

28 – Games, toys; Video game apparatus; gymnastic and sporting articles; decorations for Christmas trees; arcade video game machines; video game machines; climbing harnesses; tennis ball throwing apparatus; men's athletic supporters [sports articles]; swimming pools [play articles]; trampolines; golf bag tags; rackets; billiard cues; billiard balls; billiard markers; billiard tables; coin-operated billiard tables; bodyboards; punching bags; boxing gloves; rattles [playthings]; building blocks [toys]; twirling batons; boomerangs; teddy bears; stationary exercise bicycles; creels [fishing traps]; video game consoles; hand-held consoles for playing video games; golf bag carts; shuttlecocks; fishing lines; gut for fishing; rods for fishing; dumbbells; gyroscopes and flight stabilizers for reduced model aircraft; swings; yoga swings; needles for pumps for inflating balls for games; jigsaw puzzles; exercisers [expanders]; darts; bite sensors [fishing tackle]; hang gliders; joysticks for video games; bells for Christmas trees; spinning tops [toys]; discs for sports; slide [game]; dominoes; swimming kick boards; surfboards; sailboards; spring boards [sports articles]; chessboards; checkerboards; drones [toys]; electronic targets; chest expanders [exercisers]; poles for pole vaulting; counters [discs] for games; swimming jackets; ascenders [mountaineering equipment]; scent lures for hunting or fishing; protective films adapted for screens for portable games; protective paddings [parts of sports suits]; toy putty; fidget toys; toys for pets; stuffed toys; novelties for parties; novelty toys for playing jokes; toy imitation cosmetics; toy vehicles; toy models; toy pistols; toy air pistols; toy robots; remote-controlled toy vehicles; figurines [toys]; ring games; gaming machines for gambling; amusement machines, automatic and coin-operated; playhouses for children; playing cards; building games; balls for playing bowls; divot repair tools [golf accessories]; kaleidoscopes; bladders of balls for games; resin used by athletes; edges of skis; paper party hats; carnival masks; bingo cards; trading cards for games; skittles [games]; quoits; golf clubs; ice skates; roller skates; in-line roller skates; rocking horses; controllers for toys; controllers for game consoles; confetti; dice; kite reels; reels for fishing; chalk for billiard cues; ski bindings; party balloons; marbles for games; ammunition for paint pistols [sports accessories]; flippers for diving; flippers for swimmers; flying disks [toys]; skis; waterskis; surf skis; roller skis; surfboard leashes; bows for archery; dolls; dolls' clothes; dolls' houses; dolls' rooms; dolls' beds; mah-jong; puppets; masks [toys]; camouflage screens [sports articles]; scale model vehicles; matryochka dolls; ball-pitching machines; soap bubbles [toys]; hunting game calls; targets; toy mobiles; balls for games; board games; scale model kits [toys]; inflatable games for swimming pools; swimming pool air floats; artificial fishing bait; billiard table cushions; knee guards [sports

articles]; billiard cue tips; elbow guards [sports articles]; play tents; backgammon games; water wings; pumps specially adapted for use with balls for games; table-top games; Christmas trees of synthetic materials; paddleboards; ski sticks; ski sticks for roller skis; paragliders; pachinko games; protective cups for sports; paintball guns [sports apparatus]; swimming webs; horseshoe games; sole coverings for skis; landing nets for anglers; Christmas tree stands; piñatas; percussion caps [toys]; caps for pistols [toys]; swimming belts; plush toys; security blankets [plush toys]; dolls' feeding bottles; kites; bite indicators [fishing tackle]; floats for fishing; portable games with liquid crystal displays; portable games and toys with integrated telecommunication functions; weight lifting belts [sports articles]; harness for sailboards; ornaments for Christmas trees, except illumination articles and confectionery; archery implements; decoys for hunting or fishing; apparatus for games; conjuring apparatus; fishing tackle; fish hooks; sling shots [sports articles]; baby gyms; rollers for stationary exercise bicycles; skateboards; baseball gloves; golf gloves; gloves [accessories for games]; roulette wheels; scooters [toys]; sledges [sports articles]; bobsleighs; skeleton sleds; candle holders for Christmas trees; nets for sports; butterfly nets; scratch cards for playing lottery games; slot machines [gaming machines]; artificial snow for Christmas trees; snow globes; snowshoes; snowboards; barbells; starting blocks for sports; clay pigeon traps; tables for table tennis; rhythmic gymnastics ribbons; strings for rackets; gut for rackets; golf bags, with or without wheels; cricket bags; clay pigeons [targets]; theatrical masks; tennis nets; waist trimmer exercise belts; toy modeling dough; tricycles for infants [toys]; body-building apparatus; body-training apparatus [physical exercise]; machines for physical exercises; batting gloves [accessories for games]; appliances for gymnastics; bowling apparatus and machinery; fairground rides; fencing gauntlets; party poppers [party novelties]; hockey sticks; checkers [games]; shin guards [sports articles]; fencing weapons; fencing masks; chips for gambling; foosball tables; Christmas crackers [party novelties]; cups for dice; bags especially designed for skis; bags especially designed for surfboards; chess games; seal skins [coverings for skis]; masts for sailboards.

(260) AM 2024 123002 A  
 (800) 1731107  
 (151) 2023 01 31  
 (891) 2023 01 31  
 (731) ERC DISTRIBUTION AG  
 Poststrasse 14, CH-6302 Zug, Switzerland  
 (540)



(591) Yellow  
 (531) 27.05.17; 27.07.17; 29.01.02

(511)

9 – Scientific, research, navigation, surveying, photographic, cinematographic, audiovisual, optical, weighing, measuring, signalling, detecting, testing, inspecting, life-saving and teaching apparatus and instruments; apparatus and instruments for conducting, switching, transforming, accumulating, regulating or controlling the distribution or use of electricity; apparatus and instruments for recording, transmitting, reproducing or processing sound, images or data; recorded and downloadable media, computer software, blank digital or analogue recording and storage media; cash registers, calculating devices; computers and computer peripheral devices; cordless telephones; smartphones; mobile telephones, cellular phones; holders adapted for mobile telephones and smartphones; in-car telephone handset cradles; headphones; sleeves for laptops; covers for tablet computers; automated teller machines [ATM]; steering devices, automatic, for vehicles; automatic indicators of low pressure in vehicle tires; parking meters; aerometers; asbestos clothing for protection against fire; asbestos gloves for protection against accidents; asbestos screens for firemen; actinometers; electric accumulators; electric accumulators for vehicles; acoustic couplers; alidades; altimeters; ammeters; anemometers; anodes; anode batteries; antennas; anticathodes; apparatus to check franking; electric devices for remote ignition; X-ray producing apparatus and installations not for medical use; fermentation apparatus for laboratory use; remote control apparatus; testing apparatus not for medical use; apertometers [optics]; acidimeters for batteries; apparatus and instruments for astronomy; audiovisual teaching apparatus; luminous beacons; lighting ballasts; accumulator jars; barometers; ignition batteries; electric batteries; balances [steelyards]; betatrons; binoculars; computer memory devices; integrated circuits; digital notepads; fire hose nozzles; connected bracelets [measuring instruments]; bullet-proof vests; marking buoys; signaling buoys; directional compasses; scales; weighbridges; tone arms for record players; plumb bobs; vacuum gauges; variometers; solenoid valves [electromagnetic switches]; shoes for protection against accidents, irradiation and fire; terminals [electricity]; electric plugs; circuit breakers [electricity]; switchboxes [electricity]; gauges; measuring instruments; measuring apparatus; electric measuring apparatus; measures; current rectifiers; high-frequency apparatus; flow meters; branch boxes [electricity]; video screens; video cameras; video cassettes; video telephones; telephone answering machines; photographic viewfinders; viscosimeters; peepholes [magnifying lenses] for doors; electric switches; fire extinguishers; diving suits; fiber-optic cables; voltmeters; battery chargers; ear plugs for divers; gas analysis apparatus; gasometers [measuring instruments]; electric discharge tubes other than for lighting; galena crystals [detectors]; galvanic batteries; galvanic cells; galvanometers; hands-free kits for telephones; heliographic

apparatus; surveying apparatus and instruments; weights; hygrometers; sonars; hydrometers; needles for record players; holograms; sound recording disks; lightning conductors; sounding leads; buzzers; loudspeakers; range finders (telemeters); decompression chambers; densimeters; densitometers; detectors; smoke detectors; counterfeit coin detectors; signal bells; electric alarm bells; bells [warning apparatus]; mirrors for inspecting work; mirrors [optics]; dictating machines; dynamometers; floppy disks; magnetic disks; optical disks; disk drives [for computers]; juke boxes for computers; telerupters; distillation apparatus for scientific use; diffraction apparatus [microscopy]; breathing apparatus for underwater swimming; breathing apparatus, except for artificial respiration; diagnostic apparatus, not for medical use; slide projectors; diaphragms for scientific apparatus; diaphragms [photography]; DNA chips; adding machines; dosage dispensers [dosimeters]; luminous or mechanical road signs; jigs [measuring instruments]; fuse wires; choking coils [impedance]; ovens for laboratory use; screens [photography]; exposure meters [light meters]; electrified rails for mounting spot lights; electric installations for the remote control of industrial operations; electric door bells; electro-dynamic apparatus for the remote control of railway points; electro-dynamic apparatus for the remote control of signals; electrolyzers; electromagnetic coils; downloadable electronic publications; electronic tags for goods; electronic pocket translators; electronic collars to train animals; electronic pens [visual display units]; electronic notice boards; epidiascopes; ergometers; magnetic identification bracelets; electric locks; electronic agendas; voltage surge protectors; fuses; chargers for electronic cigarettes; protective suits for aviators; protection devices against X-rays, not for medical use; protective films adapted for computer screens; head guards for sports; mouth guards for sports; balancing devices; acoustic [sound] alarms; sound reproduction apparatus; sound recording carriers; sound recording apparatus; sound transmission apparatus; acoustic conduits; surveying instruments; wire connectors [electricity]; junction boxes [electricity]; couplers [data processing equipment]; connections for electric lines; electric couplings; connectors [electricity]; luminous signs; probes for scientific use; sounding apparatus and machines; readers [data processing equipment]; bar code readers; inverters [electricity]; pressure indicators; slope indicators; incubators for bacteria culture; interfaces [for computers]; ionization apparatus not for the treatment of air or water; spark-guards; electricity conduits; electric cables; coaxial cables; calipers; calibrating rings; calorimeters; pocket calculators; teeth protectors; capillary tubes for laboratory use; holders for electric coils; video game cartridges; carriers for dark plates [photography]; cassette players; cathodes; cathodic anti-corrosion devices; mouse pads; acid hydrometers; exposed cinematographic films; cinematographic cameras; push buttons for

bells; covers for electric outlets; encoded magnetic cards; magnetic encoders; electric collectors; dog whistles; compact disks [audio-video]; optical compact disks; comparators; marine compasses; joysticks for use with computers, other than for video games; computer keyboards; computer printers; magnetic tape units [for computers]; recorded computer programs; electric apparatus for commutation; electrical condensers [capacitors]; optical condensers; electric contacts; contact lenses; boiler control instruments; correcting lenses [optics]; accumulator boxes; cabinets for loudspeakers; cosmographic instruments; clothing for protection against fire; laboratory pipettes; pedometers; graduated compasses; azimuth instruments; laboratory trays; logs [measuring instruments]; lasers not for medical use; lactodensimeters; lactometers; darkroom lamps [photography]; eyeglass chains; optical lenses; rulers [measuring instruments]; carpenters' rules; flashing lights [light signals]; flashlights [photography]; magic lanterns; optical lamps; counters; revolution counters; distance recording apparatus; mileage recorders for vehicles, kilometer recorders for vehicles; slide-rules; magnifying glasses [optics]; magnets; decorative magnets; magnetic wires; magnetic tapes; videotapes; crash test dummies; resuscitation mannequins [teaching apparatus]; pressure gauges; solderers' helmets; protective masks, not for medical use; diving masks; mathematical instruments; materials for electricity mains [wires, cables]; money counting and sorting machines; material testing instruments and machines; weighing machines; furniture especially made for laboratories; megaphones; portable media players; metal detectors for industrial or military use; meteorological instruments; meteorological balloons; rules [measuring instruments]; dressmakers' measures; metronomes; mechanisms for counter-operated apparatus; mechanical signs; mouse [computer peripheral]; insulated copper wire; micrometers; micrometer screws for optical instruments; microprocessors; microscopes; microtomes; microphones; surveying chains; measuring spoons; modems; monitors [computer programs]; monitors [computer hardware]; devices for editing cinematographic films; nautical apparatus and instruments; marine depth finders; naval signaling apparatus; coin-operated musical automata [juke boxes]; animated cartoons; junction sleeves for electric cables; electric coils; inductors [electricity]; navigation apparatus for vehicles [on-board computers]; navigational instruments; teaching apparatus; knee-pads for workers; semiconductors; screw-tapping gauges; chargers for electric accumulators; neon signs; identification threads for electric wires; thread counters; surveyors' levels; leveling instruments; verniers; magnetic data media; optical data media; nose clips for divers and swimmers; notebook computers; objectives [lenses] [optics]; lenses for astrophotography; limiters [electricity]; sheaths for electric cables; egg candlers; electrified fences; clothing for protection against fire; clot-

hing for protection against accidents, irradiation and fire; special clothing for laboratories; ozonizers [ozonators]; octants; spectacles [optics]; sunglasses; goggles for sports; eyepieces; ohmmeters; electric resistances; eyeglass frames; optical glass; eyewear; optical readers; optical apparatus and instruments; sighting telescopes for firearms; protection devices for personal use against accidents; oscillographs; cleaning apparatus for sound recording discs; selfie sticks [hand-held monopods]; safety restraints other than for vehicle seats or sports equipment; pince-nez; stills for laboratory experiments; intercommunication apparatus; speaking tubes; transmitters [telecommunication]; transmitters of electronic signals; mechanisms for coin-operated apparatus; coin-operated mechanisms for television sets; oxygen transvasing apparatus; switchboards; commutators; spools [photography]; circuit breakers; electric converters; periscopes; punched card machines for offices; furnaces for laboratory use; drying racks [photography]; wrist rests for use with computers; pyrometers; egg timers [sandglasses]; planimeters; plane tables [surveying instruments]; plates for batteries; silicon boards for integrated circuits; printed circuit boards; sound recording strips; exposed films; plotters; fire engines; fire escapes; fire pumps; fire alarms; fire boats; fire beaters; fire hoses; levels [instruments for determining the horizontal]; electric loss indicators; quantity indicators; wind socks for indicating wind direction; petrol gauges; gasoline gauges; water level indicators; sprinkler systems for fire protection; polarimeters; vehicle breakdown warning triangles; amplifying lamps; amplifiers; letter scales; prisms [optics]; receivers [audio, video]; air analysis apparatus; food analysis apparatus; distance measuring apparatus; appliances for measuring the thickness of leather; apparatus for measuring the thickness of skins; speed checking apparatus for vehicles; time recording apparatus; instruments containing eyepieces; weighing apparatus and instruments; Global Positioning System [GPS] apparatus; particle accelerators; railway traffic safety appliances; speed measuring apparatus [photography]; invoicing machines; video recorders; tape recorders; apparatus for changing record player needles; data processing apparatus; film cutting apparatus; test tubes; electric conductors; electric wires; telephone wires; ducts [electricity]; record players; compact disc players; DVD players; computer game programs; downloadable computer programs; recorded computer operating programs; software [recorded programs]; projection apparatus; projection screens; transparencies [photography]; washing trays [photography]; respiratory masks other than for artificial respiration; anti-interference devices [electricity]; anti-glare glasses; anti-dazzle shades; electric installations for theft prevention; anti-theft warning apparatus; fire blankets; processors [central processing units]; rods for water diviners; plumb lines; control panels [electricity]; starter cables for motors; radar apparatus; vehicle radios; vacuum tubes [radio]; ra-

diological apparatus for industrial use; radiology screens for industrial use; radio pagers; transmitting sets [telecommunication]; radios; radiotelegraphy sets; radiotelephony sets; masts for wireless aerials; frames for photographic transparencies; screens for photoengraving; abacuses; calculating machines; voting machines; walkie-talkies; electric regulating apparatus; stage lighting regulators; voltage regulators for vehicles; electric light regulators [dimmers]; speed regulators for record players; reducers [electricity]; leveling staffs [surveying instruments]; marking gauges [joinery]; electric relays; cell phone straps; X-ray apparatus not for medical use; exposed x-ray films; X-ray tubes not for medical use; X-ray photographs, other than for medical use; rheostats; respirators for filtering air; retorts; refractometers; refractors; grids for batteries; downloadable ringtones for mobile telephones; demagnetizing apparatus for magnetic tapes; identification sheaths for electric wires; magnetic identity cards; distribution consoles [electricity]; distribution boxes [electricity]; distribution boards [electricity]; slide calipers; mercury levels; diving gloves; gloves for protection against X-rays for industrial use; gloves for protection against accidents; horns for loudspeakers; life-saving apparatus and equipment; safety tarpaulins; life buoys; life jackets; life-saving rafts; life belts; safety nets; whistle alarms; reflective articles for wear for the prevention of accidents; reflective safety vests; optical fibers [light conducting filaments]; blueprint apparatus; light-emitting diodes [LED]; light-emitting electronic pointers; filters for photography; traffic-light apparatus [signaling devices]; sextants; non-explosive fog signals; luminous or mechanical signals; signal lanterns; alarms; signaling whistles; signaling panels, luminous or mechanical; sirens; nets for protection against accidents; scanners [explorers] [data processing equipment]; spectacle lenses; graduated glassware; smart watches; smart glasses; salinometers; solar batteries; spectrograph apparatus; spectroscopes; spirit levels; alcohol meters; speed indicators; monitoring apparatus other than for medical use; observation instruments; shutter releases [photography]; personal stereos; stereoscopes; stereoscopic apparatus; head cleaning tapes; sulfimeters; satellites for scientific use; satellite navigation apparatus; drying apparatus for photographic prints; spherometers; printed circuits; chips [integrated circuits]; time clocks [time recording devices]; taximeters; tachometers; television apparatus; telegraphs [apparatus]; teleprinters; telegraph wires; telescopes; teleprompters; portable telephones; telephone apparatus; telephone transmitters; telephone receivers; temperature indicators; theodolites; heat regulating apparatus; thermionic tubes; thermionic valves; thermometers, not for medical use; thermostats; thermostats for vehicles; crucibles [laboratory]; pressure measuring apparatus; pressure indicator plugs for valves; totalizers; precision balances; precision measuring apparatus; transformers [electricity]; transponders; protractors [mea-

suring instruments]; step-up transformers; simulators for the steering or control of vehicles; retorts' stands; tripods for cameras; triodes; sounding lines; urinometers; downloadable image files; downloadable music files; facsimile machines; apparatus and instruments for physics; filters for ultraviolet rays for photography; filters for respiratory masks; wearable activity trackers; USB flash drives; fluorescent screens; cameras [photography]; flash-bulbs [photography]; glazing apparatus for photographic prints; drainers for use in photography; photovoltaic cells; shutters [photography]; enlarging apparatus [photography]; photocopiers; darkrooms [photography]; photometers; phototelegraphy apparatus; containers for contact lenses; eyeglass cases; cases for smartphones; containers for microscope slides; cases especially made for photographic apparatus and instruments; wavemeters; chemistry apparatus and instruments; chromatography apparatus for laboratory use; chronographs [time recording apparatus]; laboratory centrifuges; centering apparatus for photographic transparencies; cyclotrons; saccharometers; automatic time switches; frequency meters; hard covers for smartphones; eyeglass cords; riding helmets; protective helmets for sports; protective helmets; sound locating instruments; workmen's protective face-shields; armatures [electricity].

11 – Apparatus and installations for lighting, heating, cooling, steam generating, cooking, drying, ventilating, water supply and sanitary purposes; Lamp shades; electric autoclaves for cooking; aquarium lights; aquarium heaters; aquarium filtration apparatus; steam accumulators; heat accumulators; anti-glare devices for vehicles [lamp fittings]; defrosters for vehicles; hot air apparatus; book sterilization apparatus; air deodorizing apparatus; loading apparatus for furnaces; tanning beds; apparatus for dehydrating food waste; ionization apparatus for the treatment of air or water; beverage-cooling apparatus; air cooling devices; gas scrubbing apparatus; oil-scrubbing apparatus; desiccating apparatus; coffee roasters; whirlpool-jet apparatus; drying apparatus for fodder and forage; hand-drying apparatus for washrooms; water filtering apparatus; swimming pool chlorinating apparatus; grills [cooking appliances]; steam facial apparatus [saunas]; heating and cooling apparatus for dispensing hot and cold beverages; air purification apparatus and machines; water softening apparatus and installations; light-emitting diode [LED] lighting apparatus; lighting apparatus and installations; underfloor heating apparatus and installations; hydromassage bath apparatus; acetylene generators; acetylene flares; acetylene burners; germicidal lamps for purifying air; barbecues; bidets; laundry room boilers; washing coppers; bathtubs; spa baths; electric cooktops; electric waffle irons; bicycle lights; fans [air-conditioning]; fans [parts of air-conditioning installations]; electric fans for personal use; ventilation [air-conditioning] installations for vehicles; ventilation [air-conditioning] installations and apparatus; kilns; evaporators; extractor



hoods for kitchens; ventilation hoods; ventilation hoods for laboratories; fabric steamers; pressurized water tanks; water conduits installations; pipes [parts of sanitary installations]; water intake apparatus; water heaters; water purification installations; water purifying apparatus and machines; water supply installations; water flushing installations; flushing tanks; carbon for arc lamps; gas condensers other than parts of machines; gas boilers; gas burners; gas lamps; gas scrubbers [parts of gas installations]; microbubble generators for baths; hydrants; fairy lights for festive decoration; wicks adapted for oil stoves; hearths; rotisseries; hot water bottles; warming pans; foot warmers, electric or non-electric; bed warmers; electric food dehydrators; disinfectant apparatus; disinfectant apparatus for medical use; deodorizing apparatus not for personal use; fog machines; chimney flues; disinfectant apparatus for dispensing solutions into water pipes for sanitary installations; stills; distillation apparatus; distillation columns; arc lamps; showers; shower cubicles; electric beverage urns; flues for heating boilers; feeding apparatus for heating boilers; immersion heaters; friction lighters for igniting gas; gas lighters; safety accessories for water or gas apparatus and pipes; chimney blowers; humidifiers for central heating radiators; air humidifiers; coils [parts of distilling, heating or cooling installations]; furnace ash boxes; drip irrigation emitters [irrigation fittings]; electric appliances for making yogurt; electric coffee machines; coffee capsules, empty, for electric coffee machines; heating apparatus; lava rocks for use in barbecue grills; domestic fireplaces; hot air ovens; electrically heated carpets; oxyhydrogen burners; Chinese lanterns; pocket warmers; level controlling valves in tanks; air valves for steam heating installations; electric blankets, not for medical use; furnace grates; air conditioners for vehicles; taps for pipes and pipelines; mixer taps for water pipes; taps; radiator caps; portable forges; electric cooking utensils; cooking apparatus and installations; cooking rings; kitchen ranges [ovens]; cookers (cooking stoves); laboratory lamps; laboratory burners; lamps for lighting; curling lamps; curing lamps not for medical use; nail lamps; electric lamps; lamp chimneys; electric lights for Christmas trees; safety lamps; street lamps; lights for automobiles; lanterns for lighting; lights for vehicles; candle lanterns; electric flashlights; headlamps; chandeliers; oil lamps; ice-cream making machines; electric pounded rice cake making machines for household use; electric soy milk making machines; ice-cube machines and apparatus; microwave ovens [cooking apparatus]; microwave ovens for industrial use; freezers; motorcycle lights; multi-cookers; air fryers; foot muffs, electrically heated; heating apparatus for defrosting windows of vehicles; heating elements; hot plates; heaters for baths; electric heaters for feeding bottles; heaters for heating irons; air reheaters; brackets for gas burners; structural plates for ovens; electric heating filaments; magnesium filaments for

lighting; filaments for electric lamps; luminous house numbers; heating plates; stoves [heating apparatus]; fumigation apparatus not for medical use; hot air bath fittings; electrically heated clothing; hot water heating installations; heating installations; heaters for vehicles; electric heating apparatus; heating apparatus for solid, liquid or gaseous fuels; heating boilers; kiln furniture [supports]; dehumidifiers; coolers for furnaces; electric cool boxes; purification installations for sewage; burners; germicidal burners; burners for lamps; oil burners; electric food steamers; boilers other than parts of machines; steam boilers, other than parts of machines; pasteurizers; sockets for electric lamps; portable Turkish bath cabinets; electric coffee percolators; bakers' ovens; dental ovens; ovens, other than for laboratory use; diving lights; plate warmers; urinals; lamp globes; electric heating cushions, not for medical use; automatic watering installations; watering machines for agricultural purposes; polymerization installations; electric tortilla presses; heated display cabinets; cooling apparatus and installations; electric vacuum cookers; electric couscous cookers; electric chocolate fountains; USB-powered hand warmers; air-conditioning apparatus; glue-heating appliances; roasting jacks; USB-powered cup heaters; searchlights; washers for water taps; anti-splash tap nozzles; radiators [heating]; electric radiators; central heating radiators; sinks; refining towers for distillation; heat regenerators; regulating accessories for water or gas apparatus and pipes; regulating and safety accessories for water apparatus; regulating and safety accessories for gas apparatus; regulating and safety accessories for gas pipes; dampers [heating]; lamp reflectors; vehicle reflectors; roasting spits; incandescent burners; expansion tanks for central heating installations; sanitary apparatus and installations; bath fittings; standard lamps; lighting apparatus for vehicles; light bulbs; electric light bulbs; directional lights for bicycles; light projectors; light diffusers; toilet seats; bathtubs for sitz baths; hydroponic growing systems; lamp glasses; incinerators; solar furnaces; thermal-conversion solar collectors [heating]; alcohol burners; ceiling lights; sterilizers; water sterilizers; air sterilizers; clean chambers [sanitary installations]; electric laundry dryers; malt roasters; tobacco roasters; fruit roasters; air dryers; drying apparatus and installations; electric tajines; heat pumps; heat guns; heat exchangers other than parts of machines; electric thermo-pots; thermostatic valves [parts of heating installations]; floor lamps; toasters; lampshade holders; boiler pipes [tubes] for heating installations; electric discharge tubes for lighting; luminous tubes for lighting; toilets [WC]; portable toilets; ultraviolet ray lamps not for medical use; wash-hand basins [parts of sanitary installations]; toilet bowls; automatic ash conveyor installations; bath installations; steam generating installations; desalination plants; air conditioning installations; installations for processing nuclear fuel and nuclear moderating material; water cooling installati-

ons; milk cooling installations; cooling installations for liquids; cooling installations for tobacco; lighting installations for air vehicles; water distribution installations; sauna bath installations; air filtering installations; flaming torches; flare stacks for use in the oil industry; headlights for automobiles; vehicle headlights; fittings, shaped, for ovens; hair dryers; air filters for air conditioning; filters for drinking water; fountains; ornamental fountains; electric deep fryers; oven fittings made of fire clay; bread baking machines; bread-making machines; refrigerators; refrigerators, cooling apparatus and freezers for medical storage purposes; refrigerating apparatus and machines; refrigerating containers; refrigerating chambers; refrigerating display cabinets; refrigerating apparatus and installations; refrigerating cabinets; chromatography apparatus for industrial use; lamp mantles; electric kettles; electric wine cellars; miners' lamps; electrically heated socks; nuclear reactors; chemically activated heating packets for warming feet, not for medical use; chemically activated cooling packets for cooling feet, not for medical use; chemically activated heating packets for warming hands, not for medical use; chemically activated cooling packets for cooling hands, not for medical use; electric heating pads; chemically heated pads, not for medical use; electrically heated boots.

12 – Vehicles; Apparatus for locomotion by land, air or water; motor buses; motor coaches; gyrocopters; lorries; self-driving cars; automobiles; sports cars; ambulances; concrete mixing vehicles; automobile hoods; automobile bodies; automobile chains; cigar lighters for automobiles; automobile chassis; automobile tires; autonomous underwater vehicles for seabed inspections; refrigerated vehicles; camping cars; dirigible balloons (airships); hot-air balloons; shock absorbers for automobiles; suspension shock absorbers for vehicles; anti-glare devices for vehicles; luggage carriers for vehicles; ski carriers for automobiles; bumpers for automobiles; vehicle bumpers; tires for vehicle wheels; bands for wheel hubs; barges; launches; brake shoes for vehicles; safety seats for children, for vehicles; driverless cars [autonomous cars]; side view mirrors for vehicles; tailboard lifts [parts of land vehicles]; caravans; buffers for railway rolling stock; mine cars; tilt trucks; railway carriages; sleeping cars; dining cars; refrigerated railway wagons; trucks with a crane feature incorporated; bicycles; electric bicycles; bicycle kickstands; bicycle brakes; bicycle motors; bicycle bells; dress guards for bicycles; bicycle handlebars; bicycle wheels; bicycle chains; bicycle pedals; bicycle frames; bicycle saddles; bicycle cranks; gears for bicycles; bicycle tires; tubeless tires for bicycles; bicycle mudguards; helicopters; pushchair hoods; oars for boats; paddles for canoes; sculls; forklift trucks; handling carts; bogies for railway cars; hose carts; casting carriages; tilting-carts; two-wheeled trolleys; cleaning trolleys; shopping trolleys; fishing trolleys; trolleys; carts; roll cage trolleys; scoo-

ters for people with reduced mobility; windows for vehicles; lug nuts for vehicle wheels; vehicle brakes; screws [propellers] for ships; helicams; hydraulic circuits for vehicles; seaplanes; torque converters for land vehicles; self-balancing boards; self-balancing scooters; ski lifts; hydroplanes; golf carts [vehicles]; racing cars; bellows for articulated buses; screw-propellers; screw-propellers for boats; treads for vehicles [roller belts]; doors for vehicles; engines for land vehicles; shock absorbing springs for vehicles; vehicle joysticks; diving bells; rearview mirrors; funnels for locomotives; funnels for ships; brake disks for vehicles; handcars; military drones; delivery drones; camera drones; civilian drones; tow trucks; horse-drawn carriages; electric motors for land vehicles; railway couplings; sun-blinds adapted for automobiles; spoke clips for wheels; horns for vehicles; dredgers [boats]; trailer hitches for vehicles; couplings for land vehicles; portholes; cars for cable transport installations; inner tubes for bicycle tires; inner tubes for pneumatic tires; canoes; hoods for vehicle engines; hoods for vehicles; crankcases for land vehicle components other than for engines; ejector seats for aircraft; rudders; steering wheels for vehicles; kick sledges; valves for vehicle tires; clips adapted for fastening automobile parts to automobile bodies; hub caps; mine cart wheels; vehicle wheels; casters for carts [vehicles]; brake pads for automobiles; pushchairs; pet strollers; baby carriages; aerial conveyors; ships; gear boxes for land vehicles; ships' hulls; space vehicles; rowlocks; baskets adapted for bicycles; fenders for ships; caps for vehicle fuel tanks; cleats [nautical]; chairlifts; vehicle seats; wheelchairs; vehicle bodies; tipping bodies for trucks; anti-skid chains; adhesive rubber patches for repairing inner tubes; airplanes; amphibious airplanes; aircraft; locomotives; hubs for bicycle wheels; hubs for vehicle wheels; steering devices for ships; self-balancing electric unicycles; engine mounts for land vehicles; mopeds; motor scooters; motorcycle kickstands; motorcycle engines; motorcycle handlebars; side cars; motorcycle chains; motorcycle frames; motorcycle saddles; motorcycles; freewheels for land vehicles; fitted footmuffs for strollers; fitted footmuffs for baby carriages; clutches for land vehicles; repair outfits for inner tubes; brake linings for vehicles; pumps for bicycle tires; vehicle upholstery; rims for bicycle wheels; vehicle wheel rims; axles; axle journals; parachutes; safety belts for vehicle seats; security harness for vehicle seats; gearing for land vehicles; caissons [vehicles]; tipping apparatus [parts of railway wagons]; vehicle suspension springs; headrests for vehicle seats; vehicle running boards; tire mousse inserts; aeronautical apparatus, machines and devices; air pumps [vehicle accessories]; air bags [safety devices for automobiles]; signal arms for vehicles; casings for pneumatic tires; sprinkling trucks; pontoons; ashtrays for automobiles; ferry boats; non-skid devices for vehicle tires; anti-theft devices for vehicles; trailers [vehicles]; bicycle trailers; trailers for transpor-

ting bicycles; balance weights for vehicle wheels; anti-theft alarms for vehicles; fitted pushchair mosquito nets; spars for ships; jet engines for land vehicles; reduction gears for land vehicles; robotic cars; disengaging gear for boats; rolling stock for railways; rolling stock for funicular railways; propulsion mechanisms for land vehicles; scooters [vehicles]; sleighs [vehicles]; rescue sleds; brake segments for vehicles; reversing alarms for vehicles; luggage nets for vehicles; windshields; windshield wipers; headlight wipers; garbage trucks; snowmobiles; sleeping berths for vehicles; spokes for bicycle wheels; vehicle wheel spokes; spoilers for vehicles; inclined ways for boats; treads for retreading tires; boat hooks; panniers adapted for bicycles; saddlebags adapted for bicycles; bags designed for strollers; panniers adapted for motorcycles; wheelbarrows; trolley railways [cable cars]; torsion bars for vehicles; tractors; tramcars; transmission mechanisms for land vehicles; transmission shafts for land vehicles; transmission chains for land vehicles; military vehicles for transport; armored vehicles; vehicles for locomotion by land, air, water or rail; electric vehicles; remotely operated vehicles for underwater inspections; remote-controlled vehicles other than toys; air cushion vehicles; all-terrain vehicles; tricycles; delivery tricycles; amphibious vehicles; cup holders for vehicles; turbines for land vehicles; towing trucks; driving motors for land vehicles; drive chains for land vehicles; cable transport apparatus and installations; flanges for railway wheel tires; funiculars; vans [vehicles]; undercarriages for vehicles; boats; pushchair covers; covers for vehicle steering wheels; spare wheel covers; seat covers for vehicles; saddle covers for bicycles; saddle covers for motorcycles; vehicle covers [shaped]; vehicle chassis; connecting rods for land vehicles other than parts of motors and engines; tires for snowplows; tires; solid tires for vehicle wheels; spikes for tires; davits for watercraft; timbers [frames] for ships; vehicle bonnet pins; mudguards; masts for boats; yachts.

16 – Paper and cardboard; Photographs; stationery and office requisites, except furniture; drawing materials and materials for artists; plastic sheets, films and bags for wrapping and packaging; printing type, printing blocks; fountain pens; address plates for addressing machines; address stamps; addressing machines; aquarelles; albums; almanacs; bookbinding apparatus and machines [office equipment]; papers for painting and calligraphy; architects' models; atlases; banknotes; paper bows, other than haberdashery or hair decorations; name badges [office requisites]; baggage claim check tags of paper; tags for index cards; biological samples for use in microscopy [teaching materials]; forms, printed; glitter for stationery; pads [stationery]; drawing pads; wristbands for the retention of writing instruments; pamphlets; booklets; plastic bubble packs for wrapping or packaging; rollers for typewriters; house painters' rollers; composing sticks; signboards of paper or cardboard; sewing patterns;

viscose sheets for wrapping; greeting cards; drawer liners of paper, perfumed or not; cream containers of paper; waxed paper; charcoal pencils; newspapers; electrotypes; hectographs; geographical maps; shields [paper seals]; toilet paper; bunting of paper; histological sections for teaching purposes; modeling clay; polymer modeling pastes; terrestrial globes; drawing sets; engraving plates; engravings; graphic representations; graphic reproductions; graining combs; pencil leads; rubber erasers; elastic bands for offices; adhesive tape dispensers [office requisites]; sleeved bibs of paper; bibs of paper; diagrams; punches [office requisites]; advertisement boards of paper or cardboard; galley racks [printing]; typewriters [electric or non-electric]; printed matter; printed publications; graphic prints; prints [engravings]; labels of paper or cardboard; hand labeling appliances; magazines [periodicals]; bookmarkers; notebooks; money clips; paper clasps; pen clips; clips for name badge holders [office requisites]; moisteners [office requisites]; moisteners for gummed surfaces [office requisites]; binding strips [bookbinding]; erasing products; writing board erasers; transfers (decalcomanias); writing or drawing books; handwriting specimens for copying; non-electric credit card imprinters; newsletters; calendars; tracing patterns; tracing paper; tracing cloth; gums [adhesives] for stationery or household purposes; ink stones [ink reservoirs]; framed or unframed paintings [pictures]; announcement cards [stationery]; trading cards other than for games; cards; wood pulp board [stationery]; cardboard tubes; binders [office requisites]; catalogs; flower-pot covers of paper; manifolds [stationery]; tickets; typewriter keys; glue for stationery or household purposes; adhesive bands for stationery or household purposes; adhesive tapes for stationery or household purposes; gluten [glue] for stationery or household purposes; adhesives [glues] for stationery or household purposes; books; bookends; comic books; coloring books; drawing pins; thumbtacks; envelopes [stationery]; carbon paper; copying paper [stationery]; tracing needles for drawing purposes; duplicators; correcting fluids [office requisites]; correcting ink [heliography]; cardboard hat boxes; boxes of paper or cardboard; drawing squares; spools for inking ribbons; retractable reels for name badge holders [office requisites]; tailors' chalk; chalk for lithography; spray chalk; drawing boards; drawing instruments; French curves; drawing pens; starch paste [adhesive] for stationery or household purposes; printed coupons; document laminators [for office use]; absorbent sheets of paper or plastic for foodstuff packaging; sheets of reclaimed cellulose for wrapping; humidity control sheets of paper or plastic for foodstuff packaging; musical greeting cards; flyers; drawing rulers; steel letters; lithographs; lithographic works of art; lithographic stones; paint trays; pictures; plastics for modeling; sealing compounds for stationery purposes; bookbinding material; modeling materials; packaging material made of starches; envelope sealing machines for offi-

ces; sealing machines for offices; franking machines for office use; pencil sharpening machines, electric or non-electric; plastic bags for pet waste disposal; garbage bags of paper or of plastics; modeling wax not for dental use; painters' easels; padding materials of cardboard or paper; stuffing of paper or cardboard; portable printing sets [office requisites]; teaching material except apparatus; stickers [stationery]; dental tray covers of paper; fingerstalls for office use; table runners of paper; writing cases [stationery]; writing cases [sets]; paper knives [letter openers]; paper creasers [office requisites]; handkerchiefs of paper; printed sheet music; numbering apparatus; wrappers [stationery]; protective covers for books; passport holders; sealing wafers; index cards [stationery]; indexes; arithmetical tables; oleographs; pencils; pencil lead holders; slate pencils; bottle wrappers of paper or cardboard; office requisites except furniture; office perforators; etchings; etching needles; printers' blankets not of textile; bags for microwave cooking; bottle envelopes of paper or cardboard; conical paper bags; paper bags for sterilization of medical instruments; packing [cushioning, stuffing] materials of paper or cardboard; palettes for painters; pantographs [drawing instruments]; papier mâché; paper sheets [stationery]; electrocardiograph paper; paper for recording machines; paper for medical examination tables; wrapping paper; paper for radiograms; wood pulp paper; luminous paper; document files [stationery]; folders for papers; loose-leaf binders; ring binders; pastels [crayons]; modeling paste; pen cases; paintbrushes; painters' brushes; nibs; nibs of gold; steel pens; parchment paper; periodicals; pen wipers; perforated cards for Jacquard looms; seals [stamps]; writing chalk; writing materials; writing paper; writing slates; writing instruments; writing brushes; letter trays; trays for sorting and counting money; handbooks [manuals]; hand-rests for painters; stands for pens and pencils; photograph stands; paper coasters for decanters; mats of paper for beer glasses; stamp stands; desk mats; table mats of paper; place mats of paper; song books; posters; clipboards [office requisites]; plastic film for wrapping; extensible plastic cling film for palletization; animation cels; paper shredders for office use; stamp pads; banners of paper; canvas for painting; cloth for bookbinding; gummed cloth for stationery purposes; portraits; postcards; postage stamps; obliterating stamps; flags of paper; paperweights; vignetting apparatus; apparatus for mounting photographs; blotters; prospectuses; printers' reglets; ledgers [books]; drawing T-squares; isinglass for stationery or household purposes; rice paper; paper cutters [office requisites]; printed timetables; marking chalk; pens [office requisites]; marking pens [stationery]; pen holders; face towels of paper; hand towels of paper; self-adhesive tapes for stationery or household purposes; plans; tissues of paper for removing make-up; paper wipes for cleaning; table napkins of paper; cigar bands; tablecloths of paper; staples for offices; scrapers [era-

ers] for offices; paper clips; silver paper; steatite [tailor's chalk]; stapling presses [stationery]; composing frames [printing]; table linen of paper; balls for ballpoint pens; typewriter ribbons; correcting tapes [office requisites]; paper ribbons, other than haberdashery or hair decorations; gummed tape [stationery]; paper tapes or cards for the recording of computer programs; barcode ribbons; bags [envelopes, pouches] of paper or plastics, for packaging; sealing wax; embroidery patterns; placards of paper or cardboard; fabrics for bookbinding; stationery; pencil sharpeners, electric or non-electric; transparencies [stationery]; stencils; stencils [stationery]; stencil plates; stencils for decorating food and beverages; mimeograph apparatus and machines; document holders (stationery); chalk holders; pencil holders; holders for checkbooks; holders for stamps [seals]; name badge holders [office requisites]; page holders; Indian inks; chart pointers, non-electronic; paint boxes [for use in school]; figurines of papier mâché; statuettes of papier mâché; paper coffee filters; filter paper; filtering materials of paper; molds for modeling clays [artists' materials]; photoengravings; photographs [printed]; cases for stamps [seals]; chromolithographs [chromos]; compasses for drawing; numbers [type]; artists' watercolor saucers; inks; inkwells; inking sheets for duplicators; inking sheets for document reproducing machines; inking pads; inkstands; ink sticks; inking ribbons; square rulers for drawing; stencil cases; erasing shields; cabinets for stationery [office requisites]; school supplies; blackboards; cords for bookbinding; type [numerals and letters]; stamps [seals]; sealing stamps; washi [Japanese paper].

18 – Leather and imitations of leather; Animal skins and hides; luggage and transport bags; umbrellas and parasols; walking sticks; whips, harness and saddlery; collars, leashes and clothing for animals; card cases [wallets]; suitcases [carrying cases]; trunks [luggage]; attaché cases; key cases; vanity cases, not fitted; purses; wallets; chain mesh purses; reusable shopping bags; bags [envelopes, pouches] of leather for packaging; haversacks; music cases; parasols; leather straps; shoulder belts [straps] of leather; beach bags; traveling trunks; briefcases [leatherware]; rucksacks [backpacks]; suitcase handles; umbrella handles; traveling bags; net bags for shopping; cases of leather or leatherboard; sports bags; bags for climbers; sling bag for carrying babies; handbags; pouch baby carriers; wheeled shopping bags; garment bags for travel; travel sets [leatherware]; bags for campers; credit card cases [wallets]; umbrella covers; school bags.

20 – Furniture, mirrors, picture frames; Transport or storage containers not of metal; unworked or semi-worked bone, horn, whalebone or mother-of-pearl; moldings for picture frames; bamboo curtains; barrels, not of metal; library shelves; pulleys of plastics for blinds; bolts, not of metal; casks of wood for decanting wine; casks, not of metal; identification bracelets

not of metal; kennels for household pets; mooring buoys, not of metal; yellow amber; ambroid plates; ambroid bars; sideboards; loading pallets not of metal; empty tool chests not of metal; work benches; vice benches [furniture]; signboards of wood or plastic materials; cabinet work; high chairs for children; display stands; trolleys [furniture]; window fittings, not of metal; showcases [furniture]; jewelry organizer displays; wind chimes (decoration); clothes hangers; bag hangers not of metal; hat stands; valet stands; coat stands; towel stands [furniture]; non-electric fans for personal use; oil drainage containers, not of metal; packaging containers of plastic materials; containers, not of metal, for liquid fuel; tanks, not of metal nor masonry; slatted indoor blinds; comb foundations for beehives; beehives; newspaper display stands; nuts, not of metal; wardrobes; hooks, not of metal, for clothes rails; curtain hooks; clothes hooks, not of metal; screws, not of metal; screw tops, not of metal, for bottles; door fittings not of metal; doors for furniture; wood ribbons; door bells, not of metal, non-electric; divans; chaises longues; fixed non-metallic dispensers for dog waste bags; towel dispensers, fixed, not of metal; bassinets; cots for babies; boards for hanging keys; ladders of wood or plastics; stair carpet rods; dowels, not of metal; screens for fireplaces [furniture]; shelving units; labels of plastic materials; troughs, not of metal, for mixing mortar; curtain tie-backs; plugs, not of metal; rivets, not of metal; sealing caps, not of metal; locks, not of metal, for vehicles; padlocks, other than electronic, not of metal; locks, other than electric, not of metal; bead curtains for decoration; indoor blinds [furniture]; Indoor blinds of paper; indoor blinds of woven wood; indoor blinds of textile materials; bottle closures, not of metal; window fasteners, not of metal; door bolts, not of metal; clips, not of metal, for cables and pipes; plastic clips for sealing bags; bumper guards for cots, other than bed linen; removable covers for sinks; removable mats for sinks; identity plates, not of metal; display boards; settees; jerrycans, not of metal; bedsteads of wood; curtain rails; curtain rods; plastic key cards, not encoded and not magnetic; index cabinets [furniture]; lecterns; mats for infant playpens; sleeping mats; animal claws; shoe pegs, not of metal; tent pegs not of metal; curtain rings; split rings, not of metal, for keys; water-pipe valves of plastic; drain traps [valves] of plastic; valves, not of metal, other than parts of machines; staves of wood; keys made of plastic materials; latches, not of metal; book rests; bookcases [furniture]; bottle caps not of metal; saw horses; bed casters not of metal; furniture casters, not of metal; chopping blocks [tables]; chests of drawers; containers, not of metal [storage, transport]; desks; animal hooves; coral; corks; bottle stoppers; fodder racks; boxes of wood or plastic materials; nesting boxes; wooden reels for yarn, silk, cord; winding spools, not of metal, non-mechanical, for flexible hoses; reels, not of metal, non-mechanical, for flexible hoses; fishing baskets; baskets not of

metal; hampers [baskets] for the transport of items; taps, not of metal, for casks; drafting tables; closures, not of metal, for containers; binding screws, not of metal, for cables; chairs [seats]; hairdressers' chairs; armchairs; edgings of plastic for furniture; picture frame brackets; brackets, not of metal, for furniture; benches [furniture]; Moses baskets; beds for household pets; air beds, not for medical use; beds; hospital beds; playpens for babies; mannequins; massage tables; imitation tortoiseshell; water beds other than for medical use; air mattresses not for medical use; camping mattresses; mattresses; reusable baby-changing mats; furniture partitions of wood; furniture shelves; furniture of metal; honeycombs; mobiles [decoration]; door knockers, not of metal; meerscham; shells; inflatable furniture; inflatable publicity objects; shoulder poles [yokes]; legs for furniture; house numbers, not of metal, non-luminous; number plates, not of metal; loading gauge rods, not of metal, for railway wagons; cask hoops, not of metal; decorations of plastic for foodstuffs; poles, not of metal; stuffed birds; stuffed animals; bed bases; office furniture; reeds [plaiting materials]; tortoiseshell; bakers' bread baskets; free-standing partitions [furniture]; dinner wagons [furniture]; saw benches [furniture]; writing desks; head-rests [furniture]; transport pallets, not of metal; handling pallets, not of metal; trays, not of metal; stakes, not of metal, for plants or trees; feet for furniture; trestles [furniture]; umbrella stands; cask stands, not of metal; flower-pot pedestals; flower-stands [furniture]; stands for calculating machines; floating containers, not of metal; picture rods [frames]; wickerwork; mirror tiles; busts of wood, wax, plaster or plastic; costume stands; pillows; cushions; pet cushions; head positioning pillows for babies; air cushions, not for medical use; air pillows, not for medical use; bolsters; head support cushions for babies; anti-roll cushions for babies; shelves for storage; shelves for file cabinets; bathtub grab bars, not of metal; silvered glass [mirrors]; bedding except linen; letter boxes, not of metal or masonry; counters [tables]; window openers, not of metal, non-electric; door openers, not of metal, non-electric; window closers, not of metal, non-electric; door closers, not of metal, non-electric; stoppers, not of glass, metal or rubber; embroidery frames; sections of wood for beehives; plastic ramps for use with vehicles; registration plates, not of metal; horn, unworked or semi-worked; stag antlers; animal horns; crucifixes of wood, wax, plaster or plastic materials, other than jewelry; window pulleys, not of metal; curtain rollers; rattan; door handles, not of metal; knobs, not of metal; hand-held mirrors [toilet mirrors]; bins, not of metal; toy chests; corozo; dog kennels; straw plaits; straw mattresses; straw edgings; sofas; plaited straw, except matting; statuettes of wood, wax, plaster or plastic materials; statues of wood, wax, plaster or plastic materials; racks [furniture]; magazine racks; bottle racks; gun racks; plate racks; table tops; seats; bath seats for ba-

bies; shower chairs; seats of metal; step stools, not of metal; plugs [dowels], not of metal; scratching posts for cats; typing desks; standing desks; console tables [furniture]; tables of metal; wall-mounted baby-changing tables; portable desks; tables; carts for computers [furniture]; lap desks; tea carts; window stops, not of metal or rubber; door stops, not of metal or rubber; stepladders not of metal; oyster shells; mobile boarding stairs, not of metal, for passengers; placards of wood or plastics; stools; footstools; crates; works of art of wood, wax, plaster or plastic; curtain holders not of textile materials; coffins; dressing tables; bathroom vanities [furniture]; washstands [furniture]; funerary urns; figurines made of wood, wax, plaster or plastic; hand-held flagpoles, not of metal; bed fittings, not of metal; coffin fittings, not of metal; furniture fittings not of metal; bottle casings of wood; runners, not of metal, for sliding doors; infant walkers; collars, not of metal, for fastening pipes; vats not of metal; covers for clothing [wardrobe]; garment covers [storage]; hinges, not of metal; cupboards; filing cabinets; meat safes; medicine cabinets; luggage lockers; deck chairs; screens [furniture]; school furniture; birdhouses; sash fasteners, not of metal, for windows; door fasteners, not of metal; shoe dowels, not of metal; drawers for furniture; lockers [furniture]; brush mountings; non-metallic empty tool boxes; nesting boxes for household pets; chests not of metal.

28 – Games, toys; Video game apparatus; gymnastic and sporting articles; decorations for Christmas trees; arcade video game machines; video game machines; climbing harnesses; tennis ball throwing apparatus; men's athletic supporters [sports articles]; swimming pools [play articles]; trampolines; golf bag tags; rackets; billiard cues; billiard balls; billiard markers; billiard tables; coin-operated billiard tables; bodyboards; punching bags; boxing gloves; rattles [playthings]; building blocks [toys]; twirling batons; boomerangs; teddy bears; stationary exercise bicycles; creels [fishing traps]; video game consoles; hand-held consoles for playing video games; golf bag carts; shuttlecocks; fishing lines; gut for fishing; rods for fishing; dumbbells; gyroscopes and flight stabilizers for reduced model aircraft; swings; yoga swings; needles for pumps for inflating balls for games; jigsaw puzzles; exercisers [expanders]; darts; bite sensors [fishing tackle]; hang gliders; joysticks for video games; bells for Christmas trees; spinning tops [toys]; discuses for sports; slide [game]; dominoes; swimming kick boards; surfboards; sailboards; spring boards [sports articles]; chessboards; checkerboards; drones [toys]; electronic targets; chest expanders [exercisers]; poles for pole vaulting; counters [discs] for games; swimming jackets; ascenders [mountaineering equipment]; scent lures for hunting or fishing; protective films adapted for screens for portable games; protective paddings [parts of sports suits]; toy putty; fidget toys; toys for pets; stuffed toys; novelties for parties; novelty toys for playing jokes; toy imitation

cosmetics; toy vehicles; toy models; toy pistols; toy air pistols; toy robots; remote-controlled toy vehicles; figurines [toys]; ring games; gaming machines for gambling; amusement machines, automatic and coin-operated; playhouses for children; playing cards; building games; balls for playing bowls; divot repair tools [golf accessories]; kaleidoscopes; bladders of balls for games; resin used by athletes; edges of skis; paper party hats; carnival masks; bingo cards; trading cards for games; skittles; skittles [games]; quoits; golf clubs; ice skates; roller skates; in-line roller skates; rocking horses; controllers for toys; controllers for game consoles; confetti; dice; kite reels; reels for fishing; chalk for billiard cues; ski bindings; party balloons; marbles for games; ammunition for paint pistols [sports accessories]; flippers for diving; flippers for swimmers; flying disks [toys]; skis; waterskis; surf skis; roller skis; surfboard leashes; bows for archery; dolls; dolls' clothes; dolls' houses; dolls' rooms; dolls' beds; mah-jong; puppets; masks [toys]; camouflage screens [sports articles]; scale model vehicles; matryochka dolls; ball-pitching machines; soap bubbles [toys]; hunting game calls; targets; toy mobiles; balls for games; board games; scale model kits [toys]; inflatable games for swimming pools; swimming pool air floats; artificial fishing bait; billiard table cushions; knee guards [sports articles]; billiard cue tips; elbow guards [sports articles]; play tents; backgammon games; water wings; pumps specially adapted for use with balls for games; table-top games; Christmas trees of synthetic materials; paddleboards; ski sticks; ski sticks for roller skis; paragliders; pachinko games; protective cups for sports; paintball guns [sports apparatus]; swimming webs; horseshoe games; sole covers for skis; landing nets for anglers; Christmas tree stands; piñatas; percussion caps [toys]; caps for pistols [toys]; swimming belts; plush toys; security blankets [plush toys]; dolls' feeding bottles; kites; bite indicators [fishing tackle]; floats for fishing; portable games with liquid crystal displays; portable games and toys with integrated telecommunication functions; weight lifting belts [sports articles]; harness for sailboards; ornaments for Christmas trees, except illumination articles and confectionery; archery implements; decoys for hunting or fishing; apparatus for games; conjuring apparatus; fishing tackle; fish hooks; sling shots [sports articles]; baby gyms; rollers for stationary exercise bicycles; skateboards; baseball gloves; golf gloves; gloves [accessories for games]; roulette wheels; scooters [toys]; sledges [sports articles]; bobsleighs; skeleton sleds; candle holders for Christmas trees; nets for sports; butterfly nets; scratch cards for playing lottery games; slot machines [gaming machines]; artificial snow for Christmas trees; snow globes; snowshoes; snowboards; barbells; starting blocks for sports; clay pigeon traps; tables for table tennis; rhythmic gymnastics ribbons; strings for rackets; gut for rackets; golf bags, with or without wheels; cricket bags; clay pigeons [targets]; theatrical masks; tennis

nets; waist trimmer exercise belts; toy modeling dough; tricycles for infants [toys]; body-building apparatus; body-training apparatus [physical exercise]; machines for physical exercises; batting gloves [accessories for games]; appliances for gymnastics; bowling apparatus and machinery; fairground rides; fencing gauntlets; party poppers [party novelties]; hockey sticks; checkers [games]; shin guards [sports articles]; fencing weapons; fencing masks; chips for gambling; foosball tables; Christmas crackers [party novelties]; cups for dice; bags especially designed for skis; bags especially designed for surfboards; chess games; seal skins [coverings for skis]; masts for sailboards.

(260) AM 2024 123003 A  
(800) 1731162  
(151) 2023 03 13  
(891) 2023 03 13  
(731) Pharming Intellectual Property B.V.  
Darwinweg 24, NL-2333 CR Leiden,  
Netherlands  
(540)

## PHARMING

(591) Black, white  
(511)  
5 – Pharmaceutical preparations.

(260) AM 2024 123011 A  
(800) 1731570  
(151) 2023 03 08  
(891) 2023 03 08  
(731) Xiamen Xire Technology Co., Ltd.  
Area B, 2/F, Building C, Xiamen International  
Shipping Center, No. 93 Xiangyu Road,  
Xiamen Area, China (Fujian) Pilot Free Trade  
Zone, China  
(540)

## HEECHI

(591) Black, white  
(531) 27.05.01  
(511)  
11 – Heating apparatus; heating apparatus for solid, liquid or gaseous fuels; heating apparatus, electric; heating elements.

34 – Tobacco; cigarettes; cigars; electronic cigarettes; electronic smoking pipes; flavourings, other than essential oils, for use in electronic cigarettes; liquid solutions for use in electronic cigarettes; liquid nicotine solutions for use in electronic cigarettes; electronic cigarettes for use as an alternative to traditional cigarettes; electronic cigars.

(260) AM 2024 123012 A  
(800) 1731582  
(151) 2023 03 17  
(891) 2023 03 17  
(731) GINLONG TECHNOLOGIES CO., LTD.  
No. 57 Jintong Road, Binhai Industrial Park,  
Economic Development Zone, Xiangshan,  
Ningbo, Zhejiang, China  
(540)



(591) Black, white  
(531) 01.03.02; 01.03.17; 27.05.01  
(511)  
9 – Electromagnetic coils; transformers [electricity]; step-up transformers; solar batteries; high tension batteries; battery jump starters; inverters [electricity]; stabilized voltage supply; current rectifiers; accumulator jars.

(260) AM 2024 123013 A  
(800) 1731636  
(151) 2023 03 09  
(891) 2023 03 09  
(731) ZHEJIANG CFMOTO POWER CO., LTD.  
No.116, Wuzhou Road, Yuhang Economic  
Development Zone, Hangzhou, Zhejiang,  
China  
(540)

## CFMOTO

(591) Black, white  
(531) 27.05.01  
(511)  
12 – Electric vehicles; vehicles for locomotion by land, air, water or rail; motors, electric, for land vehicles; motors for land vehicles; motorcycle frames; motorcycle saddles; pneumatic tires; spoilers for vehicles; hubs for vehicle wheels; motor scooters.

(260) AM 2024 123014 A  
(800) 1731640  
(151) 2023 03 09  
(891) 2023 03 09  
(731) ZHEJIANG CFMOTO POWER CO., LTD.  
No.116, Wuzhou Road, Yuhang Economic  
Development Zone, Hangzhou, 311100  
Zhejiang, China  
(540)



(591) Black, white  
(531) 26.01.03; 26.01.12; 26.01.16; 26.13.25

(511)

12 – Electric vehicles; vehicles for locomotion by land, air, water or rail; motors, electric, for land vehicles; motors for land vehicles; motorcycle frames; motorcycle saddles; pneumatic tyres; spoilers for vehicles; vehicle wheel hubs; motor scooters.

(260) AM 2024 123015 A

(800) 1731680

(151) 2023 03 08

(891) 2023 03 08

(731) Closed Joint Stock Company "ABI GROUP"

ul. Traktornaya, 45, of. 425, RU-600005

Vladimir, Russian Federation

(540)

# АБИ

(591) Black, white

(531) 27.05.23; 28.05

(511)

29 – Preserved peppers; aloe vera prepared for human consumption; alginates for culinary purposes; anchovy, not live; peanuts, prepared; artichokes, preserved; albumen for culinary purposes; white of eggs; beans, preserved; soya beans, preserved, for food; broth; ginger jam; ham; fatty substances for the manufacture of edible fats; laver, preserved; edible birds' nests; sea-cucumbers, not live; peas, preserved; mushrooms, preserved; guacamole; game, not live; gelatine; meat jellies; jellies for food, other than confectionery; fruit jellies [spreads]; yolk of eggs; coconut fat; bone oil for food; lard; suet for food; edible fats; curd; fruit-based snack food; milk substitutes; charcuterie; raisins; caviar; eggplant paste; vegetable marrow paste; fish roe, prepared; yogurt; galbi [grilled meat dish]; sauerkraut; kefir; kimchi; isinglass for food; clams, not live; potato-based dumplings; klipfish [salted and dried cod]; milk shakes; black pudding; onion rings; arrangements of processed fruit; compotes; meat, canned; vegetables, canned; fish, canned; fruits, canned; broth concentrates; corn dogs; gherkins; tofu patties; soya patties; shrimps, not live; prawns, not live; buttercream; croquettes; silkworm chrysalis for human consumption; sweet corn, processed; kumys; spiny lobsters, not live; lecithin for culinary purposes; salmon, not live; onions, preserved; margarine; marmalade; oils for food; peanut butter; cocoa butter for food; coconut oil for food; coconut butter; corn oil for food; sesame oil for food; linseed oil for food; extra virgin olive oil for food; olive oil for food; palm oil for food; palm kernel oil for food; sunflower oil for food; rape oil for food; butter; soya bean oil for food; mussels, not live; almonds, ground; animal marrow for food; mollusks, not live; milk; peanut milk; peanut milk for culinary purposes; coconut milk; coconut milk for culinary purposes; almond milk; almond milk for culinary purposes; oat milk; rice milk; rice milk for culinary purposes; protein milk; condensed milk; soya milk; powdered milk; fish meal for human consumption;

vegetable mousses; fish mousses; fruit pulp; meat; meat, preserved; freeze-dried meat; milk beverages, milk predominating; peanut milk-based beverages; coconut milk-based beverages; almond milk-based beverages; edible insects, not live; breaded chicken pieces, fried; breaded chicken wings, fried; sausage casings, natural or artificial; vegetables, preserved; freeze-dried vegetables; vegetables, dried; vegetables, cooked; potato fritters; olives, preserved; lobsters, not live; flavored nuts; candied nuts; coconut, desiccated; nuts, prepared; tomato paste; pressed fruit paste; liver pâté; pectin for culinary purposes; liver; pickles; jams; powdered eggs; milk products; fish-based foodstuffs; soured milk; poultry, not live; bulgogi; pollen prepared as foodstuff; cranberry compote; tomato purée; apple purée; crayfish, not live; crustaceans, not live; fish, preserved; fish, not live; salted fish; fermented baked milk; vegetable salads; fruit salads; bacon; sardelki [sausages]; sardines, not live; pork; herrings, not live; seeds, prepared; sunflower seeds, prepared; cream [dairy products]; whipped cream; vegetable-based cream; fat-containing mixtures for bread slices; smetana; lemon juice for culinary purposes; tomato juice for cooking; vegetable juices for cooking; salted meats; sausages; sausages in batter; hot dog sausages; preparations for making bouillon; preparations for making soup; nut-based spreads; tripe; soups; vegetable soup preparations; whey; cottage cheese fritters; cheese; tajine [prepared meat, fish or vegetable dish]; tahini; tofu; truffles, preserved; tuna, not live; oysters, not live; falafel; milk ferments for culinary purposes; rennet; fish fillets; dates; frosted fruits; frozen fruits; fruit, preserved; fruit preserved in alcohol; fruit, stewed; hazelnuts, prepared; potato flakes; hummus; fruit peel; preserved garlic; lentils, preserved; potato chips; low-fat potato chips; fruit chips; non-alcoholic eggnog; seaweed extracts for food; meat extracts; edible ant larvae, prepared; tofu skin; berries, preserved; eggs; snail eggs for consumption; yakitori.

30 – Seaweed [condiment]; vanilla flavorings for culinary purposes; flavorings, other than essential oils, for cakes; flavorings, other than essential oils, for beverages; coffee flavorings; food flavorings, other than essential oils; star aniseed; baozi; cereal bars; high-protein cereal bars; pancakes; noodle-based prepared meals; freeze-dried dishes with the main ingredient being pasta; freeze-dried dishes with the main ingredient being rice; buns; bulgur; bread rolls; edible rice paper; edible paper; burritos; vanillin [vanilla substitute]; vareniki [stuffed dumplings]; waffles; vermicelli; natural sweeteners; sausage binding materials; binding agents for ice cream; sea water for cooking; malt biscuits; cloves [spice]; mirror icing [mirror glaze]; cake frosting [icing]; glucose for culinary purposes; mustard; croutons; buckwheat, processed; gluten additives for culinary purposes; yeast; pelmeni, fried; thickening agents for cooking foodstuffs; leaven; rice-based snack food; cereal-based snack food; coffee substitutes; vegetal preparations for use as coffee sub-



stitutes; dressings for salad; zefir [confectionery]; fruit jellies [confectionery]; candy decorations for cakes; confectionery for decorating Christmas trees; cakes; pastries; peanut confectionery; almond confectionery; pasta; pirozhki [pies]; ginger [spice]; frozen yogurt [confectionery ices]; cocoa; cream of tartar for culinary purposes; capers; caramels [sweets]; curry [spice]; ketchup [sauce]; prepared rice rolled in seaweed; kimchi pancakes; quinoa, processed; quiches; gluten prepared as foodstuff; flour-based dumplings; sweets; liquorice [confectionery]; peppermint sweets; mints for breath freshening; dulce de leche; cinnamon [spice]; coffee; unroasted coffee; starch for food; crackers; custard; hominy grits; semolina; oatmeal; crushed barley; groats for human food; ice cubes; corn, milled; corn, roasted; meat pies; turmeric; couscous; noodles; soba noodles; udon noodles; ice for refreshment; ice, natural or artificial; edible ices; candies; rice cakes; potato-based flatbreads; mayonnaise; macarons; macaroni; maltose; hominy; manti [stuffed dumplings]; piccalilli; marinades; marzipan; honey; miso [seasoning]; royal jelly; ice cream; bean meal; buckwheat flour; tapioca flour; potato flour; corn flour; nut flours; flour; wheat flour; soya flour; barley meal; dessert mousses [confectionery]; chocolate mousses; muesli; mint for confectionery; cocoa beverages with milk; coffee beverages with milk; coffee-based beverages; cocoa-based beverages; chamomile-based beverages; tea-based beverages; chocolate beverages with milk; chocolate-based beverages; infusions, not medicinal; crushed oats; husked oats; savory pancakes; onigiri; nutmegs [spice]; chocolate-coated nuts; stick liquorice [confectionery]; pastila [confectionery]; pastilles [confectionery]; molasses for food; pâtés en croûte; pelmeni [dumplings stuffed with meat]; pepper; allspice; peppers [seasonings]; pesto; cookies; petit-beurre biscuits; bibimbap [rice mixed with vegetables and beef]; pies; pizzas; meat gravies; fondants [confectionery]; popcorn; powders for making ice cream; baking powder; mustard meal; pralines; aromatic preparations for food; condiments; meat tenderizers for culinary purposes; cereal preparations; oat-based food; bee glue; gingerbread; spices; petits fours [cakes]; rice pudding; puddings; cake powder; fruit coulis [sauces]; ravioli; ramen; chewing gum; chewing gum for breath freshening; relish [condiment]; rice; instant rice; wheat germ for human consumption; spring rolls; sago; sugar; palm sugar; sesame seeds [seasonings]; linseed for culinary purposes [seasoning]; processed seeds for use as a seasoning; aniseed; agave syrup [natural sweetener]; golden syrup; confectionery; savory pancake mixes; baking soda [bicarbonate of soda for cooking purposes]; malt for human consumption; salt for preserving foodstuffs; cooking salt; celery salt; sherbets [ices]; ham glaze; cranberry sauce [condiment]; soya sauce; tomato sauce; apple sauce [condiment]; sauces [condiments]; pasta sauce; spaghetti; seasonings; chocolate-based spreads; chocolate spreads containing nuts;

preparations for stiffening whipped cream; shaved ice with sweetened red beans; rusks; breadcrumbs; sushi; senbei [rice crackers]; sandwiches; tabbouleh; tacos; tapioca; tarts; dough; pastry dough; almond paste; rice pulp for culinary purposes; cake dough; tortillas; garden herbs, preserved [seasonings]; chocolate decorations for cakes; vinegar; beer vinegar; ferments for pastes; halvah; khinkali [stuffed dumplings]; bread; unleavened bread; chips [cereal products]; corn flakes; oat flakes; hot dog sandwiches; flowers or leaves for use as tea substitutes; jiaozi; chicory [coffee substitute]; tea; iced tea; chutneys [condiments]; chebureki [deep-fried pies]; minced garlic [condiment]; cheeseburgers [sandwiches]; chow-chow [condiment]; saffron [seasoning]; chocolate; malt extract for food; essences for foodstuffs, except etheric essences and essential oils; husked barley.

(260) AM 2024 123016 A

(800) 1731684

(151) 2023 03 01

(891) 2023 03 01

(731) SHENZHEN BASEUS TECHNOLOGY CO., LTD  
2/F, Building B, Beisi Intelligence Park,  
No.2008, Xuegang Road, Gangtuo Community,  
Bantian Street, Longgang District, 518100  
Shenzhen, China

(540)

**baseus**

(591) Black, white

(531) 27.05.01; 27.05.17

(511)

7 – Vacuum cleaners for household purposes; suction nozzles for vacuum cleaners; electric window cleaners; steam mops, electric, for household purposes; rechargeable sweepers; electric cordless sweepers; floor scrubbing machines; shoe polishers, electric; washing machines [laundry]; machines and apparatus for cleaning, electric; brushes for vacuum cleaners; sewing machines; whisks, electric, for household purposes; kitchen machines, electric; dishwashers for household purposes; meat cutting machines for household purposes; meat mincers, electric; blenders, electric, for household purposes; food blenders, electric; food waste disposals [garbage disposals]; electric vacuum food sealers for household purposes; mills [machines]; air pumps; car washing machines; machines and apparatus for wax-polishing, electric.

9 – Computer peripheral devices; mouse [computer peripheral]; computer keyboards; bags adapted for laptops; electronic pens [visual display units]; electronic card readers; protective films adapted for computer screens; smartwatches [data processing apparatus]; smartglasses [data processing apparatus]; capacitive pens for touchscreen devices; USB flash drives; computer styluses; heat sinks for use in central processing

units [processors]; computer parallel ports; chronographs [time recording apparatus]; facial recognition apparatus; attendance machines; scales; measures; digital signs; in-car telephone handset cradles; stands adapted for tablet computers; holders adapted for mobile telephones; microphone stands; smart home hubs; cases for smartphones; protective films adapted for smartphones; protective cases for smartphones; global positioning system [GPS] apparatus; wearable activity trackers; dashboard cameras; selfie sticks for mobile phones; transponders; cabinets for loudspeakers; earphones; ear pads for headphones; microphones; portable media players; audio interfaces; security surveillance robots; lanyards for cell phones; digital cameras; audio digital converters; cameras [photography]; selfie ring lights for smartphones; flash lamps for smartphones; mini projectors; smartphone screen magnifiers; measuring instruments; alcohol testers; optical apparatus and instruments; data cables; audio cables; USB cables; electrical adapters; electric sockets; plugboards; adapter plugs; stabilized voltage supply; inverters [electricity]; wireless adapters; infrared thermometers, not for medical purposes; remote control apparatus; home remote controls; low voltage power supply; fire extinguishers; protection devices for personal use against accidents; theft prevention installations, electric; 3D spectacles; batteries, electric; mobile power supply [rechargeable batteries]; charging stations for electric vehicles; chargers for electric batteries; electric car charging piles; audio and video converters; video screens.

12 – Electric vehicles; cigar lighters for automobiles; convex blind spot mirrors for automobiles; sun-blinds adapted for automobiles; self-balancing scooters; pumps for bicycles; pumps for bicycle tyres; push-chairs; tyres for vehicle wheels; repair outfits for inner tubes; civilian drones; air pumps [vehicle accessories]; upholstery for automobiles; ashtrays for automobiles; rescue boats.

35 – Advertising; outsourcing services [business assistance]; commercial administration of the licensing of the goods and services of others; sales promotion for others; procurement services for others [purchasing goods and services for other businesses]; business management and organization consultancy; import-export agency services; provision of an online marketplace for buyers and sellers of goods and services; business management assistance; organization of exhibitions and events for commercial or advertising purposes; search engine optimisation for sales promotion; presentation of goods on communication media, for retail purposes; providing business information via a web site; compilation of information into computer databases; web site traffic optimisation; updating and maintenance of data in computer databases; rental of vending machines; rental of sales stands; financial auditing; compiling indexes of information for commercial or advertising purposes; web indexing for co-

mmercial or advertising purposes; data search in computer files for others; personnel management consultancy; retail services for pharmaceutical, veterinary and sanitary preparations and medical supplies.

(260) AM 2024 123018 A

(800) 1731700

(151) 2023 03 20

(891) 2023 03 20

(731) TRINA SOLAR Co., LTD

No. 2 Trina Road, Trina PV Park, Xinbei

District, Changzhou, 213031 Jiangsu, China

(540)


 The logo for TrinaWAY features the word "Trina" in a blue, sans-serif font with a red dot above the 'i', followed by "WAY" in a lighter blue, all-caps, sans-serif font.

(591) Blue, red

(531) 27.05.07; 27.05.09; 27.05.17; 29.01.12

(511)

9 – Photovoltaic inverters; photovoltaic cells; photovoltaic power generation equipment; photovoltaic power panels; photovoltaic devices and equipment for solar power generation; automobile battery; car battery; solar batteries; crystalline silicon solar cells; rechargeable power batteries for electric vehicles.

(260) AM 2024 123033 A

(800) 1732003

(151) 2023 01 31

(891) 2023 01 31

(731) ERC DISTRIBUTION AG

Poststrasse 14, CH-6302 Zug, Switzerland

(540)


 The logo for ERC consists of the letters "E" and "R" in a bold, black, stylized font, with the "E" and "R" overlapping.

(591) Black, white

(531) 27.05.17; 27.07.17

(511)

9 – Scientific, research, navigation, surveying, photographic, cinematographic, audiovisual, optical, weighing, measuring, signalling, detecting, testing, inspecting, life-saving and teaching apparatus and instruments; apparatus and instruments for conducting, switching, transforming, accumulating, regulating or controlling the distribution or use of electricity; apparatus and instruments for recording, transmitting, reproducing or processing sound, images or data; recorded and downloadable media, computer software, blank digital or analogue recording and storage media; cash registers, calculating devices; computers and computer peripheral devices; cordless telephones; smartphones; mobile telephones, cellular phones; holders adapted for mobile telephones and smartphones; in-car telephone handset cradles; headphones; sleeves for laptops; covers for tablet computers; automated teller machines [ATM]; steering devices, automatic, for vehicles; automatic indicators of low pressure in ve-

hicle tires; parking meters; aerometers; asbestos clothing for protection against fire; asbestos gloves for protection against accidents; asbestos screens for firemen; actinometers; electric accumulators; electric accumulators for vehicles; acoustic couplers; alidades; altimeters; ammeters; anemometers; anodes; anode batteries; antennas; anticathodes; apparatus to check franking; electric devices for remote ignition; X-ray producing apparatus and installations not for medical use; fermentation apparatus for laboratory use; remote control apparatus; testing apparatus not for medical use; apertometers [optics]; acidimeters for batteries; apparatus and instruments for astronomy; audiovisual teaching apparatus; luminous beacons; lighting ballasts; accumulator jars; barometers; ignition batteries; electric batteries; balances [steelyards]; betatrons; binoculars; computer memory devices; integrated circuits; digital notepads; fire hose nozzles; connected bracelets [measuring instruments]; bullet-proof vests; marking buoys; signaling buoys; directional compasses; scales; weighbridges; tone arms for record players; plumb bobs; vacuum gauges; variometers; solenoid valves [electromagnetic switches]; shoes for protection against accidents, irradiation and fire; terminals [electricity]; electric plugs; circuit breakers [electricity]; switchboxes [electricity]; gauges; measuring instruments; measuring apparatus; electric measuring apparatus; measures; current rectifiers; high-frequency apparatus; flow meters; branch boxes [electricity]; video screens; video cameras; video cassettes; video telephones; telephone answering machines; photographic viewfinders; viscosimeters; peepholes [magnifying lenses] for doors; electric switches; fire extinguishers; diving suits; fiber-optic cables; voltmeters; battery chargers; ear plugs for divers; gas analysis apparatus; gasometers [measuring instruments]; electric discharge tubes other than for lighting; galena crystals [detectors]; galvanic batteries; galvanic cells; galvanometers; hands-free kits for telephones; heliographic apparatus; surveying apparatus and instruments; weights; hygrometers; sonars; hydrometers; needles for record players; holograms; sound recording disks; lightning conductors; sounding leads; buzzers; loudspeakers; range finders (telemeters); decompression chambers; densimeters; densitometers; detectors; smoke detectors; counterfeit coin detectors; signal bells; electric alarm bells; bells [warning apparatus]; mirrors for inspecting work; mirrors [optics]; dictating machines; dynamometers; floppy disks; magnetic disks; optical disks; disk drives [for computers]; juke boxes for computers; telerupters; distillation apparatus for scientific use; diffraction apparatus [microscopy]; breathing apparatus for underwater swimming; breathing apparatus, except for artificial respiration; diagnostic apparatus, not for medical use; slide projectors; diaphragms for scientific apparatus; diaphragms [photography]; DNA chips; adding machines; dosage dispensers [dosimeters]; luminous or mechanical road signs; jigs [measuring instruments]; fuse wires; cho-

king coils [impedance]; ovens for laboratory use; screens [photography]; exposure meters [light meters]; electrified rails for mounting spot lights; electric installations for the remote control of industrial operations; electric door bells; electro-dynamic apparatus for the remote control of railway points; electro-dynamic apparatus for the remote control of signals; electrolyzers; electromagnetic coils; downloadable electronic publications; electronic tags for goods; electronic pocket translators; electronic collars to train animals; electronic pens [visual display units]; electronic notice boards; epidiascopes; ergometers; magnetic identification bracelets; electric locks; electronic agendas; voltage surge protectors; fuses; chargers for electronic cigarettes; protective suits for aviators; protection devices against X-rays, not for medical use; protective films adapted for computer screens; head guards for sports; mouth guards for sports; balancing devices; acoustic [sound] alarms; sound reproduction apparatus; sound recording carriers; sound recording apparatus; sound transmission apparatus; acoustic conduits; surveying instruments; wire connectors [electricity]; junction boxes [electricity]; couplers [data processing equipment]; connections for electric lines; electric couplings; connectors [electricity]; luminous signs; probes for scientific use; sounding apparatus and machines; readers [data processing equipment]; bar code readers; inverters [electricity]; pressure indicators; slope indicators; incubators for bacteria culture; interfaces [for computers]; ionization apparatus not for the treatment of air or water; spark-guards; electricity conduits; electric cables; coaxial cables; calipers; calibrating rings; calorimeters; pocket calculators; teeth protectors; capillary tubes for laboratory use; holders for electric coils; video game cartridges; carriers for dark plates [photography]; cassette players; cathodes; cathodic anti-corrosion devices; mouse pads; acid hydrometers; exposed cinematographic films; cinematographic cameras; push buttons for bells; covers for electric outlets; encoded magnetic cards; magnetic encoders; electric collectors; dog whistles; compact disks [audio-video]; optical compact disks; comparators; marine compasses; joysticks for use with computers, other than for video games; computer keyboards; computer printers; magnetic tape units [for computers]; recorded computer programs; electric apparatus for commutation; electrical condensers [capacitors]; optical condensers; electric contacts; contact lenses; boiler control instruments; correcting lenses [optics]; accumulator boxes; cabinets for loudspeakers; cosmographic instruments; clothing for protection against fire; laboratory pipettes; pedometers; graduated compasses; azimuth instruments; laboratory trays; logs [measuring instruments]; lasers not for medical use; lactodensimeters; lactometers; darkroom lamps [photography]; eyeglass chains; optical lenses; rulers [measuring instruments]; carpenters' rules; flashing lights [light signals]; flashlights [photography]; magic lanterns; optical lamps;

counters; revolution counters; distance recording apparatus; mileage recorders for vehicles, kilometer recorders for vehicles; slide-rules; magnifying glasses [optics]; magnets; decorative magnets; magnetic wires; magnetic tapes; videotapes; crash test dummies; resuscitation mannequins [teaching apparatus]; pressure gauges; solderers' helmets; protective masks, not for medical use; diving masks; mathematical instruments; materials for electricity mains [wires, cables]; money counting and sorting machines; material testing instruments and machines; weighing machines; furniture especially made for laboratories; megaphones; portable media players; metal detectors for industrial or military use; meteorological instruments; meteorological balloons; rules [measuring instruments]; dressmakers' measures; metronomes; mechanisms for counter-operated apparatus; mechanical signs; mouse [computer peripheral]; insulated copper wire; micrometers; micrometer screws for optical instruments; microprocessors; microscopes; microtomes; microphones; surveying chains; measuring spoons; modems; monitors [computer programs]; monitors [computer hardware]; devices for editing cinematographic films; nautical apparatus and instruments; marine depth finders; naval signaling apparatus; coin-operated musical automata [juke boxes]; animated cartoons; junction sleeves for electric cables; electric coils; inductors [electricity]; navigation apparatus for vehicles [on-board computers]; navigational instruments; teaching apparatus; knee-pads for workers; semiconductors; screw-tapping gauges; chargers for electric accumulators; neon signs; identification threads for electric wires; thread counters; surveyors' levels; leveling instruments; verniers; magnetic data media; optical data media; nose clips for divers and swimmers; notebook computers; objectives [lenses] [optics]; lenses for astrophotography; limiters [electricity]; sheaths for electric cables; egg candlers; electrified fences; clothing for protection against fire; clothing for protection against accidents, irradiation and fire; special clothing for laboratories; ozonizers [ozonators]; octants; spectacles [optics]; sunglasses; goggles for sports; eyepieces; ohmmeters; electric resistances; eyeglass frames; optical glass; eyewear; optical readers; optical apparatus and instruments; sighting telescopes for firearms; protection devices for personal use against accidents; oscillographs; cleaning apparatus for sound recording discs; selfie sticks [hand-held monopods]; safety restraints other than for vehicle seats or sports equipment; pince-nez; stills for laboratory experiments; intercommunication apparatus; speaking tubes; transmitters [telecommunication]; transmitters of electronic signals; mechanisms for coin-operated apparatus; coin-operated mechanisms for television sets; oxygen transensing apparatus; switchboards; commutators; spools [photography]; circuit breakers; electric converters; periscopes; punched card machines for offices; furnaces for laboratory use; drying racks [photography]; wrist rests for use with computers; pyro-

meters; egg timers [sandglasses]; planimeters; plane tables [surveying instruments]; plates for batteries; silicon boards for integrated circuits; printed circuit boards; sound recording strips; exposed films; plotters; fire engines; fire escapes; fire pumps; fire alarms; fire boats; fire beaters; fire hoses; levels [instruments for determining the horizontal]; electric loss indicators; quantity indicators; wind socks for indicating wind direction; petrol gauges; gasoline gauges; water level indicators; sprinkler systems for fire protection; polarimeters; vehicle breakdown warning triangles; amplifying lamps; amplifiers; letter scales; prisms [optics]; receivers [audio, video]; air analysis apparatus; food analysis apparatus; distance measuring apparatus; appliances for measuring the thickness of leather; apparatus for measuring the thickness of skins; speed checking apparatus for vehicles; time recording apparatus; instruments containing eyepieces; weighing apparatus and instruments; Global Positioning System [GPS] apparatus; particle accelerators; railway traffic safety appliances; speed measuring apparatus [photography]; invoicing machines; video recorders; tape recorders; apparatus for changing record player needles; data processing apparatus; film cutting apparatus; test tubes; electric conductors; electric wires; telephone wires; ducts [electricity]; record players; compact disc players; DVD players; computer game programs; downloadable computer programs; recorded computer operating programs; software [recorded programs]; projection apparatus; projection screens; transparencies [photography]; washing trays [photography]; respiratory masks other than for artificial respiration; anti-interference devices [electricity]; anti-glare glasses; anti-dazzle shades; electric installations for theft prevention; anti-theft warning apparatus; fire blankets; processors [central processing units]; rods for water diviners; plumb lines; control panels [electricity]; starter cables for motors; radar apparatus; vehicle radios; vacuum tubes [radio]; radiological apparatus for industrial use; radiology screens for industrial use; radio pagers; transmitting sets [telecommunication]; radios; radiotelegraphy sets; radiotelephony sets; masts for wireless aerials; frames for photographic transparencies; screens for photoengraving; abacuses; calculating machines; voting machines; walkie-talkies; electric regulating apparatus; stage lighting regulators; voltage regulators for vehicles; electric light regulators [dimmers]; speed regulators for record players; reducers [electricity]; leveling staffs [surveying instruments]; marking gauges [joinery]; electric relays; cell phone straps; X-ray apparatus not for medical use; exposed x-ray films; X-ray tubes not for medical use; X-ray photographs, other than for medical use; rheostats; respirators for filtering air; retorts; refractometers; refractors; grids for batteries; downloadable ringtones for mobile telephones; demagnetizing apparatus for magnetic tapes; identification sheaths for electric wires; magnetic identity cards; distribution consoles [electricity]; distribution

boxes [electricity]; distribution boards [electricity]; slide calipers; mercury levels; diving gloves; gloves for protection against X-rays for industrial use; gloves for protection against accidents; horns for loudspeakers; life-saving apparatus and equipment; safety tarpaulins; life buoys; life jackets; life-saving rafts; life belts; safety nets; whistle alarms; reflective articles for wear for the prevention of accidents; reflective safety vests; optical fibers [light conducting filaments]; blueprint apparatus; light-emitting diodes [LED]; light-emitting electronic pointers; filters for photography; traffic-light apparatus [signaling devices]; sextants; non-explosive fog signals; luminous or mechanical signals; signal lanterns; alarms; signaling whistles; signaling panels, luminous or mechanical; sirens; nets for protection against accidents; scanners [explorers] [data processing equipment]; spectacle lenses; graduated glassware; smart watches; smart glasses; salinometers; solar batteries; spectrograph apparatus; spectrometers; spirit levels; alcohol meters; speed indicators; monitoring apparatus other than for medical use; observation instruments; shutter releases [photography]; personal stereos; stereoscopes; stereoscopic apparatus; head cleaning tapes; sulfite meters; satellites for scientific use; satellite navigation apparatus; drying apparatus for photographic prints; spherometers; printed circuits; chips [integrated circuits]; time clocks [time recording devices]; taximeters; tachometers; television apparatus; telegraphs [apparatus]; teleprinters; telegraph wires; telescopes; teleprompters; portable telephones; telephone apparatus; telephone transmitters; telephone receivers; temperature indicators; theodolites; heat regulating apparatus; thermionic tubes; thermionic valves; thermometers, not for medical use; thermostats; thermostats for vehicles; crucibles [laboratory]; pressure measuring apparatus; pressure indicator plugs for valves; totalizers; precision balances; precision measuring apparatus; transformers [electricity]; transponders; protractors [measuring instruments]; step-up transformers; simulators for the steering or control of vehicles; retorts' stands; tripods for cameras; triodes; sounding lines; urinometers; downloadable image files; downloadable music files; facsimile machines; apparatus and instruments for physics; filters for ultraviolet rays for photography; filters for respiratory masks; wearable activity trackers; USB flash drives; fluorescent screens; cameras [photography]; flash-bulbs [photography]; glazing apparatus for photographic prints; drainers for use in photography; photovoltaic cells; shutters [photography]; enlarging apparatus [photography]; photocopiers; darkrooms [photography]; photometers; phototelegraphy apparatus; containers for contact lenses; eyeglass cases; cases for smartphones; containers for microscope slides; cases especially made for photographic apparatus and instruments; wavemeters; chemistry apparatus and instruments; chromatography apparatus for laboratory use; chronographs [time recording apparatus]; labora-

tory centrifuges; centering apparatus for photographic transparencies; cyclotrons; saccharometers; automatic time switches; frequency meters; hard covers for smartphones; eyeglass cords; riding helmets; protective helmets for sports; protective helmets; sound locating instruments; workmen's protective face-shields; armatures [electricity].

11 – Apparatus and installations for lighting, heating, cooling, steam generating, cooking, drying, ventilating, water supply and sanitary purposes; Lamp shades; electric autoclaves for cooking; aquarium lights; aquarium heaters; aquarium filtration apparatus; steam accumulators; heat accumulators; anti-glare devices for vehicles [lamp fittings]; defrosters for vehicles; hot air apparatus; book sterilization apparatus; air deodorizing apparatus; loading apparatus for furnaces; tanning beds; apparatus for dehydrating food waste; ionization apparatus for the treatment of air or water; beverage-cooling apparatus; air cooling devices; gas scrubbing apparatus; oil-scrubbing apparatus; desiccating apparatus; coffee roasters; whirlpool-jet apparatus; drying apparatus for fodder and forage; hand-drying apparatus for washrooms; water filtering apparatus; swimming pool chlorinating apparatus; grills [cooking appliances]; steam facial apparatus [saunas]; heating and cooling apparatus for dispensing hot and cold beverages; air purification apparatus and machines; water softening apparatus and installations; light-emitting diode [LED] lighting apparatus; lighting apparatus and installations; underfloor heating apparatus and installations; hydromassage bath apparatus; acetylene generators; acetylene flares; acetylene burners; germicidal lamps for purifying air; barbecues; bidets; laundry room boilers; washing coppers; bathtubs; spa baths; electric cooktops; electric waffle irons; bicycle lights; fans [air-conditioning]; fans [parts of air-conditioning installations]; electric fans for personal use; ventilation [air-conditioning] installations for vehicles; ventilation [air-conditioning] installations and apparatus; kilns; evaporators; extractor hoods for kitchens; ventilation hoods; ventilation hoods for laboratories; fabric steamers; pressurized water tanks; water conduits installations; pipes [parts of sanitary installations]; water intake apparatus; water heaters; water purification installations; water purifying apparatus and machines; water supply installations; water flushing installations; flushing tanks; carbon for arc lamps; gas condensers other than parts of machines; gas boilers; gas burners; gas lamps; gas scrubbers [parts of gas installations]; microbubble generators for baths; hydrants; fairy lights for festive decoration; wicks adapted for oil stoves; hearths; rotisseries; hot water bottles; warming pans; foot warmers, electric or non-electric; bed warmers; electric food dehydrators; disinfectant apparatus; disinfectant apparatus for medical use; deodorizing apparatus not for personal use; fog machines; chimney flues; disinfectant apparatus for dispensing solutions into water pipes for sanitary installations; stills; distillation apparatus; distillation

columns; arc lamps; showers; shower cubicles; electric beverage urns; flues for heating boilers; feeding apparatus for heating boilers; immersion heaters; friction lighters for igniting gas; gas lighters; safety accessories for water or gas apparatus and pipes; chimney blowers; humidifiers for central heating radiators; air humidifiers; coils [parts of distilling, heating or cooling installations]; furnace ash boxes; drip irrigation emitters [irrigation fittings]; electric appliances for making yogurt; electric coffee machines; coffee capsules, empty, for electric coffee machines; heating apparatus; lava rocks for use in barbecue grills; domestic fireplaces; hot air ovens; electrically heated carpets; oxyhydrogen burners; Chinese lanterns; pocket warmers; level controlling valves in tanks; air valves for steam heating installations; electric blankets, not for medical use; furnace grates; air conditioners for vehicles; taps for pipes and pipelines; mixer taps for water pipes; taps; radiator caps; portable forges; electric cooking utensils; cooking apparatus and installations; cooking rings; kitchen ranges [ovens]; cookers (cooking stoves); laboratory lamps; laboratory burners; lamps for lighting; curling lamps; curing lamps not for medical use; nail lamps; electric lamps; lamp chimneys; electric lights for Christmas trees; safety lamps; street lamps; lights for automobiles; lanterns for lighting; lights for vehicles; candle lanterns; electric flashlights; headlamps; chandeliers; oil lamps; ice-cream making machines; electric pounded rice cake making machines for household use; electric soy milk making machines; ice-cube machines and apparatus; microwave ovens [cooking apparatus]; microwave ovens for industrial use; freezers; motorcycle lights; multi-cookers; air fryers; foot muffs, electrically heated; heating apparatus for defrosting windows of vehicles; heating elements; hot plates; heaters for baths; electric heaters for feeding bottles; heaters for heating irons; air reheaters; brackets for gas burners; structural plates for ovens; electric heating filaments; magnesium filaments for lighting; filaments for electric lamps; luminous house numbers; heating plates; stoves [heating apparatus]; fumigation apparatus not for medical use; hot air bath fittings; electrically heated clothing; hot water heating installations; heating installations; heaters for vehicles; electric heating apparatus; heating apparatus for solid, liquid or gaseous fuels; heating boilers; kiln furniture [supports]; dehumidifiers; coolers for furnaces; electric cool boxes; purification installations for sewage; burners; germicidal burners; burners for lamps; oil burners; electric food steamers; boilers other than parts of machines; steam boilers, other than parts of machines; pasteurizers; sockets for electric lamps; portable Turkish bath cabinets; electric coffee percolators; bakers' ovens; dental ovens; ovens, other than for laboratory use; diving lights; plate warmers; urinals; lamp globes; electric heating cushions, not for medical use; automatic watering installations; watering machines for agricultural purposes; polymerization installations; electric

tortilla presses; heated display cabinets; cooling apparatus and installations; electric vacuum cookers; electric couscous cookers; electric chocolate fountains; USB-powered hand warmers; air-conditioning apparatus; glue-heating appliances; roasting jacks; USB-powered cup heaters; searchlights; washers for water taps; anti-splash tap nozzles; radiators [heating]; electric radiators; central heating radiators; sinks; refining towers for distillation; heat regenerators; regulating accessories for water or gas apparatus and pipes; regulating and safety accessories for water apparatus; regulating and safety accessories for gas apparatus; regulating and safety accessories for gas pipes; dampers [heating]; lamp reflectors; vehicle reflectors; roasting spits; incandescent burners; expansion tanks for central heating installations; sanitary apparatus and installations; bath fittings; standard lamps; lighting apparatus for vehicles; light bulbs; electric light bulbs; directional lights for bicycles; light projectors; light diffusers; toilet seats; bathtubs for sitz baths; hydroponic growing systems; lamp glasses; incinerators; solar furnaces; thermal-conversion solar collectors [heating]; alcohol burners; ceiling lights; sterilizers; water sterilizers; air sterilizers; clean chambers [sanitary installations]; electric laundry dryers; malt roasters; tobacco roasters; fruit roasters; air dryers; drying apparatus and installations; electric tajines; heat pumps; heat guns; heat exchangers other than parts of machines; electric thermo-pots; thermostatic valves [parts of heating installations]; floor lamps; toasters; lampshade holders; boiler pipes [tubes] for heating installations; electric discharge tubes for lighting; luminous tubes for lighting; toilets [WC]; portable toilets; ultraviolet ray lamps not for medical use; wash-hand basins [parts of sanitary installations]; toilet bowls; automatic ash conveyor installations; bath installations; steam generating installations; desalination plants; air conditioning installations; installations for processing nuclear fuel and nuclear moderating material; water cooling installations; milk cooling installations; cooling installations for liquids; cooling installations for tobacco; lighting installations for air vehicles; water distribution installations; sauna bath installations; air filtering installations; flaming torches; flare stacks for use in the oil industry; headlights for automobiles; vehicle headlights; fittings, shaped, for ovens; hair dryers; air filters for air conditioning; filters for drinking water; fountains; ornamental fountains; electric deep fryers; oven fittings made of fire clay; bread baking machines; bread-making machines; refrigerators; refrigerators, cooling apparatus and freezers for medical storage purposes; refrigerating apparatus and machines; refrigerating containers; refrigerating chambers; refrigerating display cabinets; refrigerating apparatus and installations; refrigerating cabinets; chromatography apparatus for industrial use; lamp mantles; electric kettles; electric wine cellars; miners' lamps; electrically heated socks; nuclear reactors; chemically activated heating packets for war-

ming feet, not for medical use; chemically activated cooling packets for cooling feet, not for medical use; chemically activated heating packets for warming hands, not for medical use; chemically activated cooling packets for cooling hands, not for medical use; electric heating pads; chemically heated pads, not for medical use; electrically heated boots.

12 – Vehicles; Apparatus for locomotion by land, air or water; motor buses; motor coaches; gyrocopters; lorries; self-driving cars; automobiles; sports cars; ambulances; concrete mixing vehicles; automobile hoods; automobile bodies; automobile chains; cigar lighters for automobiles; automobile chassis; automobile tires; autonomous underwater vehicles for seabed inspections; refrigerated vehicles; camping cars; dirigible balloons (airships); hot-air balloons; shock absorbers for automobiles; suspension shock absorbers for vehicles; anti-glare devices for vehicles; luggage carriers for vehicles; ski carriers for automobiles; bumpers for automobiles; vehicle bumpers; tires for vehicle wheels; bands for wheel hubs; barges; launches; brake shoes for vehicles; safety seats for children, for vehicles; driverless cars [autonomous cars]; side view mirrors for vehicles; tailboard lifts [parts of land vehicles]; caravans; buffers for railway rolling stock; mine cars; tilt trucks; railway carriages; sleeping cars; dining cars; refrigerated railway wagons; trucks with a crane feature incorporated; bicycles; electric bicycles; bicycle kickstands; bicycle brakes; bicycle motors; bicycle bells; dress guards for bicycles; bicycle handlebars; bicycle wheels; bicycle chains; bicycle pedals; bicycle frames; bicycle saddles; bicycle cranks; gears for bicycles; bicycle tires; tubeless tires for bicycles; bicycle mudguards; helicopters; pushchair hoods; oars for boats; paddles for canoes; sculls; forklift trucks; handling carts; bogies for railway cars; hose carts; casting carriages; tilting-carts; two-wheeled trolleys; cleaning trolleys; shopping trolleys; fishing trolleys; trolleys; carts; roll cage trolleys; scooters for people with reduced mobility; windows for vehicles; lug nuts for vehicle wheels; vehicle brakes; screws [propellers] for ships; helicopters; hydraulic circuits for vehicles; seaplanes; torque converters for land vehicles; self-balancing boards; self-balancing scooters; ski lifts; hydroplanes; golf carts [vehicles]; racing cars; bellows for articulated buses; screw-propellers; screw-propellers for boats; treads for vehicles [roller belts]; doors for vehicles; engines for land vehicles; shock absorbing springs for vehicles; vehicle joysticks; diving bells; rearview mirrors; funnels for locomotives; funnels for ships; brake disks for vehicles; handcars; military drones; delivery drones; camera drones; civilian drones; tow trucks; horse-drawn carriages; electric motors for land vehicles; railway couplings; sun-blinds adapted for automobiles; spoke clips for wheels; horns for vehicles; dredgers [boats]; trailer hitches for vehicles; couplings for land vehicles; portholes; cars for cable transport installations; inner tubes for bicycle tires; inner tubes for

pneumatic tires; canoes; hoods for vehicle engines; hoods for vehicles; crankcases for land vehicle components other than for engines; ejector seats for aircraft; rudders; steering wheels for vehicles; kick sledges; valves for vehicle tires; clips adapted for fastening automobile parts to automobile bodies; hub caps; mine cart wheels; vehicle wheels; casters for carts [vehicles]; brake pads for automobiles; pushchairs; pet strollers; baby carriages; aerial conveyors; ships; gear boxes for land vehicles; ships' hulls; space vehicles; rowlocks; baskets adapted for bicycles; fenders for ships; caps for vehicle fuel tanks; cleats [nautical]; chairlifts; vehicle seats; wheelchairs; vehicle bodies; tipping bodies for trucks; anti-skid chains; adhesive rubber patches for repairing inner tubes; airplanes; amphibious airplanes; aircraft; locomotives; hubs for bicycle wheels; hubs for vehicle wheels; steering devices for ships; self-balancing electric unicycles; engine mounts for land vehicles; mopeds; motor scooters; motorcycle kickstands; motorcycle engines; motorcycle handlebars; side cars; motorcycle chains; motorcycle frames; motorcycle saddles; motorcycles; freewheels for land vehicles; fitted footmuffs for strollers; fitted footmuffs for baby carriages; clutches for land vehicles; repair outfits for inner tubes; brake linings for vehicles; pumps for bicycle tires; vehicle upholstery; rims for bicycle wheels; vehicle wheel rims; axles; axle journals; parachutes; safety belts for vehicle seats; security harness for vehicle seats; gearing for land vehicles; caissons [vehicles]; tipping apparatus [parts of railway wagons]; vehicle suspension springs; headrests for vehicle seats; vehicle running boards; tire mousse inserts; aeronautical apparatus, machines and devices; air pumps [vehicle accessories]; air bags [safety devices for automobiles]; signal arms for vehicles; casings for pneumatic tires; sprinkling trucks; pontoons; ashtrays for automobiles; ferry boats; non-skid devices for vehicle tires; anti-theft devices for vehicles; trailers [vehicles]; bicycle trailers; trailers for transporting bicycles; balance weights for vehicle wheels; anti-theft alarms for vehicles; fitted pushchair mosquito nets; spars for ships; jet engines for land vehicles; reduction gears for land vehicles; robotic cars; disengaging gear for boats; rolling stock for railways; rolling stock for funicular railways; propulsion mechanisms for land vehicles; scooters [vehicles]; sleighs [vehicles]; rescue sleds; brake segments for vehicles; reversing alarms for vehicles; luggage nets for vehicles; windshields; windshield wipers; headlight wipers; garbage trucks; snowmobiles; sleeping berths for vehicles; spokes for bicycle wheels; vehicle wheel spokes; spoilers for vehicles; inclined ways for boats; treads for retreading tires; boat hooks; panniers adapted for bicycles; saddlebags adapted for bicycles; bags designed for strollers; panniers adapted for motorcycles; wheelbarrows; telfer railways [cable cars]; torsion bars for vehicles; tractors; tramcars; transmission mechanisms for land vehicles; transmission shafts for land vehi-

les; transmission chains for land vehicles; military vehicles for transport; armored vehicles; vehicles for locomotion by land, air, water or rail; electric vehicles; remotely operated vehicles for underwater inspections; remote-controlled vehicles other than toys; air cushion vehicles; all-terrain vehicles; tricycles; delivery tricycles; amphibious vehicles; cup holders for vehicles; turbines for land vehicles; towing trucks; driving motors for land vehicles; drive chains for land vehicles; cable transport apparatus and installations; flanges for railway wheel tires; funiculars; vans [vehicles]; undercarriages for vehicles; boats; pushchair covers; covers for vehicle steering wheels; spare wheel covers; seat covers for vehicles; saddle covers for bicycles; saddle covers for motorcycles; vehicle covers [shaped]; vehicle chassis; connecting rods for land vehicles other than parts of motors and engines; tires for snowplows; tires; solid tires for vehicle wheels; spikes for tires; davits for watercraft; timbers [frames] for ships; vehicle bonnet pins; mudguards; masts for boats; yachts.

16 – Paper and cardboard; Photographs; stationery and office requisites, except furniture; drawing materials and materials for artists; plastic sheets, films and bags for wrapping and packaging; printing type, printing blocks; fountain pens; address plates for addressing machines; address stamps; addressing machines; aquarelles; albums; almanacs; bookbinding apparatus and machines [office equipment]; papers for painting and calligraphy; architects' models; atlases; banknotes; paper bows, other than haberdashery or hair decorations; name badges [office requisites]; baggage claim check tags of paper; tags for index cards; biological samples for use in microscopy [teaching materials]; forms, printed; glitter for stationery; pads [stationery]; drawing pads; wristbands for the retention of writing instruments; pamphlets; booklets; plastic bubble packs for wrapping or packaging; rollers for typewriters; house painters' rollers; composing sticks; signboards of paper or cardboard; sewing patterns; viscose sheets for wrapping; greeting cards; drawer liners of paper, perfumed or not; cream containers of paper; waxed paper; charcoal pencils; newspapers; electrotypes; hectographs; geographical maps; shields [paper seals]; toilet paper; bunting of paper; histological sections for teaching purposes; modeling clay; polymer modeling pastes; terrestrial globes; drawing sets; engraving plates; engravings; graphic representations; graphic reproductions; graining combs; pencil leads; rubber erasers; elastic bands for offices; adhesive tape dispensers [office requisites]; sleeved bibs of paper; bibs of paper; diagrams; punches [office requisites]; advertisement boards of paper or cardboard; galley racks [printing]; typewriters [electric or non-electric]; printed matter; printed publications; graphic prints; prints [engravings]; labels of paper or cardboard; hand labeling appliances; magazines [periodicals]; bookmarkers; notebooks; money clips; paper clasps; pen clips; clips for name badge holders [office

requisites]; moisteners [office requisites]; moisteners for gummed surfaces [office requisites]; binding strips [bookbinding]; erasing products; writing board erasers; transfers (decalcomanias); writing or drawing books; handwriting specimens for copying; non-electric credit card imprinters; newsletters; calendars; tracing patterns; tracing paper; tracing cloth; gums [adhesives] for stationery or household purposes; ink stones [ink reservoirs]; framed or unframed paintings [pictures]; announcement cards [stationery]; trading cards other than for games; cards; wood pulp board [stationery]; cardboard tubes; binders [office requisites]; catalogs; flower-pot covers of paper; manifolds [stationery]; tickets; typewriter keys; glue for stationery or household purposes; adhesive bands for stationery or household purposes; adhesive tapes for stationery or household purposes; gluten [glue] for stationery or household purposes; adhesives [glues] for stationery or household purposes; books; bookends; comic books; coloring books; drawing pins; thumbtacks; envelopes [stationery]; carbon paper; copying paper [stationery]; tracing needles for drawing purposes; duplicators; correcting fluids [office requisites]; correcting ink [heliography]; cardboard hat boxes; boxes of paper or cardboard; drawing squares; spools for inking ribbons; retractable reels for name badge holders [office requisites]; tailors' chalk; chalk for lithography; spray chalk; drawing boards; drawing instruments; French curves; drawing pens; starch paste [adhesive] for stationery or household purposes; printed coupons; document laminators [for office use]; absorbent sheets of paper or plastic for foodstuff packaging; sheets of reclaimed cellulose for wrapping; humidity control sheets of paper or plastic for foodstuff packaging; musical greeting cards; flyers; drawing rulers; steel letters; lithographs; lithographic works of art; lithographic stones; paint trays; pictures; plastics for modeling; sealing compounds for stationery purposes; bookbinding material; modeling materials; packaging material made of starches; envelope sealing machines for offices; sealing machines for offices; franking machines for office use; pencil sharpening machines, electric or non-electric; plastic bags for pet waste disposal; garbage bags of paper or of plastics; modeling wax not for dental use; painters' easels; padding materials of cardboard or paper; stuffing of paper or cardboard; portable printing sets [office requisites]; teaching material except apparatus; stickers [stationery]; dental tray covers of paper; fingerstalls for office use; table runners of paper; writing cases [stationery]; writing cases [sets]; paper knives [letter openers]; paper creasers [office requisites]; handkerchiefs of paper; printed sheet music; numbering apparatus; wrappers [stationery]; protective covers for books; passport holders; sealing wafers; index cards [stationery]; indexes; arithmetical tables; oleographs; pencils; pencil lead holders; slate pencils; bottle wrappers of paper or cardboard; office requisites except furniture; office perforators; etchings; etching



needles; printers' blankets not of textile; bags for microwave cooking; bottle envelopes of paper or cardboard; conical paper bags; paper bags for sterilization of medical instruments; packing [cushioning, stuffing] materials of paper or cardboard; palettes for painters; pantographs [drawing instruments]; papier mâché; paper sheets [stationery]; electrocardiograph paper; paper for recording machines; paper for medical examination tables; wrapping paper; paper for radiograms; wood pulp paper; luminous paper; document files [stationery]; folders for papers; loose-leaf binders; ring binders; pastels [crayons]; modeling paste; pen cases; paintbrushes; painters' brushes; nibs; nibs of gold; steel pens; parchment paper; periodicals; pen wipers; perforated cards for Jacquard looms; seals [stamps]; writing chalk; writing materials; writing paper; writing slates; writing instruments; writing brushes; letter trays; trays for sorting and counting money; handbooks [manuals]; hand-rests for painters; stands for pens and pencils; photograph stands; paper coasters for decanters; mats of paper for beer glasses; stamp stands; desk mats; table mats of paper; place mats of paper; song books; posters; clipboards [office requisites]; plastic film for wrapping; extensible plastic cling film for palletization; animation cels; paper shredders for office use; stamp pads; banners of paper; canvas for painting; cloth for bookbinding; gummed cloth for stationery purposes; portraits; postcards; postage stamps; obliterating stamps; flags of paper; paperweights; vignetting apparatus; apparatus for mounting photographs; blotters; prospectuses; printers' reglets; ledgers [books]; drawing T-squares; isinglass for stationery or household purposes; rice paper; paper cutters [office requisites]; printed timetables; marking chalk; pens [office requisites]; marking pens [stationery]; pen holders; face towels of paper; hand towels of paper; self-adhesive tapes for stationery or household purposes; plans; tissues of paper for removing make-up; paper wipes for cleaning; table napkins of paper; cigar bands; tablecloths of paper; staples for offices; scrapers [erasers] for offices; paper clips; silver paper; steatite [tailor's chalk]; stapling presses [stationery]; composing frames [printing]; table linen of paper; balls for ball-point pens; typewriter ribbons; correcting tapes [office requisites]; paper ribbons, other than haberdashery or hair decorations; gummed tape [stationery]; paper tapes or cards for the recording of computer programs; barcode ribbons; bags [envelopes, pouches] of paper or plastics, for packaging; sealing wax; embroidery patterns; placards of paper or cardboard; fabrics for bookbinding; stationery; pencil sharpeners, electric or non-electric; transparencies [stationery]; stencils; stencils [stationery]; stencil plates; stencils for decorating food and beverages; mimeograph apparatus and machines; document holders [stationery]; chalk holders; pencil holders; holders for checkbooks; holders for stamps [seals]; name badge holders [office requisites]; page holders; Indian inks; chart pointers, non-electronic;

paint boxes [for use in school]; figurines of papier mâché; statuettes of papier mâché; paper coffee filters; filter paper; filtering materials of paper; molds for modeling clays [artists' materials]; photoengravings; photographs [printed]; cases for stamps [seals]; chromolithographs [chromos]; compasses for drawing; numbers [type]; artists' watercolor saucers; inks; inkwells; inking sheets for duplicators; inking sheets for document reproducing machines; inking pads; inkstands; ink sticks; inking ribbons; square rulers for drawing; stencil cases; erasing shields; cabinets for stationery [office requisites]; school supplies; blackboards; cords for bookbinding; type [numerals and letters]; stamps [seals]; sealing stamps; washi [Japanese paper].

18 – Leather and imitations of leather; Animal skins and hides; luggage and transport bags; umbrellas and parasols; walking sticks; whips, harness and saddlery; collars, leashes and clothing for animals; card cases [wallets]; suitcases [carrying cases]; trunks [luggage]; attaché cases; key cases; vanity cases, not fitted; purses; wallets; chain mesh purses; reusable shopping bags; bags [envelopes, pouches] of leather for packaging; haversacks; music cases; parasols; leather straps; shoulder belts [straps] of leather; beach bags; traveling trunks; briefcases [leatherware]; rucksacks [backpacks]; suitcase handles; umbrella handles; traveling bags; net bags for shopping; cases of leather or leatherboard; sports bags; bags for climbers; sling bag for carrying babies; handbags; pouch baby carriers; wheeled shopping bags; garment bags for travel; travel sets [leatherware]; bags for campers; credit card cases [wallets]; umbrella covers; school bags.

20 – Furniture, mirrors, picture frames; Transport or storage containers not of metal; unworked or semi-worked bone, horn, whalebone or mother-of-pearl; moldings for picture frames; bamboo curtains; barrels, not of metal; library shelves; pulleys of plastics for blinds; bolts, not of metal; casks of wood for decanting wine; casks, not of metal; identification bracelets not of metal; kennels for household pets; mooring buoys, not of metal; yellow amber; ambroid plates; ambroid bars; sideboards; loading pallets not of metal; empty tool chests not of metal; work benches; vice benches [furniture]; signboards of wood or plastic materials; cabinet work; high chairs for children; display stands; trolleys [furniture]; window fittings, not of metal; showcases [furniture]; jewelry organizer displays; wind chimes (decoration); clothes hangers; bag hangers not of metal; hat stands; valet stands; coat stands; towel stands [furniture]; non-electric fans for personal use; oil drainage containers, not of metal; packaging containers of plastic materials; containers, not of metal, for liquid fuel; tanks, not of metal nor masonry; slatted indoor blinds; comb foundations for beehives; beehives; newspaper display stands; nuts, not of metal; wardrobes; hooks, not of metal, for clothes rails; curtain hooks; clothes hooks, not of me-

tal; screws, not of metal; screw tops, not of metal, for bottles; door fittings not of metal; doors for furniture; wood ribbons; door bells, not of metal, non-electric; divans; chaises longues; fixed non-metallic dispensers for dog waste bags; towel dispensers, fixed, not of metal; bassinets; cots for babies; boards for hanging keys; ladders of wood or plastics; stair carpet rods; dowels, not of metal; screens for fireplaces [furniture]; shelving units; labels of plastic materials; troughs, not of metal, for mixing mortar; curtain tie-backs; plugs, not of metal; rivets, not of metal; sealing caps, not of metal; locks, not of metal, for vehicles; padlocks, other than electronic, not of metal; locks, other than electric, not of metal; bead curtains for decoration; indoor blinds [furniture]; Indoor blinds of paper; indoor blinds of woven wood; indoor blinds of textile materials; bottle closures, not of metal; window fasteners, not of metal; door bolts, not of metal; clips, not of metal, for cables and pipes; plastic clips for sealing bags; bumper guards for cots, other than bed linen; removable covers for sinks; removable mats for sinks; identity plates, not of metal; display boards; settees; jerrycans, not of metal; bedsteads of wood; curtain rails; curtain rods; plastic key cards, not encoded and not magnetic; index cabinets [furniture]; lecterns; mats for infant playpens; sleeping mats; animal claws; shoe pegs, not of metal; tent pegs not of metal; curtain rings; split rings, not of metal, for keys; water-pipe valves of plastic; drain traps [valves] of plastic; valves, not of metal, other than parts of machines; staves of wood; keys made of plastic materials; latches, not of metal; book rests; bookcases [furniture]; bottle caps not of metal; saw horses; bed casters not of metal; furniture casters, not of metal; chopping blocks [tables]; chests of drawers; containers, not of metal [storage, transport]; desks; animal hooves; coral; corks; bottle stoppers; fodder racks; boxes of wood or plastic materials; nesting boxes; wooden reels for yarn, silk, cord; winding spools, not of metal, non-mechanical, for flexible hoses; reels, not of metal, non-mechanical, for flexible hoses; fishing baskets; baskets not of metal; hampers [baskets] for the transport of items; taps, not of metal, for casks; drafting tables; closures, not of metal, for containers; binding screws, not of metal, for cables; chairs [seats]; hairdressers' chairs; armchairs; edgings of plastic for furniture; picture frame brackets; brackets, not of metal, for furniture; benches [furniture]; Moses baskets; beds for household pets; air beds, not for medical use; beds; hospital beds; playpens for babies; mannequins; massage tables; imitation tortoiseshell; water beds other than for medical use; air mattresses not for medical use; camping mattresses; mattresses; reusable baby-changing mats; furniture partitions of wood; furniture shelves; furniture of metal; honeycombs; mobiles [decoration]; door knockers, not of metal; meerschauum; shells; inflatable furniture; inflatable publicity objects; shoulder poles [yokes]; legs for furniture; house numbers, not of metal, non-luminous; number plates, not of metal; loa-

ding gauge rods, not of metal, for railway wagons; cask hoops, not of metal; decorations of plastic for foodstuffs; poles, not of metal; stuffed birds; stuffed animals; bed bases; office furniture; reeds [plaiting materials]; tortoiseshell; bakers' bread baskets; free-standing partitions [furniture]; dinner wagons [furniture]; saw benches [furniture]; writing desks; headrests [furniture]; transport pallets, not of metal; handling pallets, not of metal; trays, not of metal; stakes, not of metal, for plants or trees; feet for furniture; trestles [furniture]; umbrella stands; cask stands, not of metal; flower-pot pedestals; flower-stands [furniture]; stands for calculating machines; floating containers, not of metal; picture rods [frames]; wickerwork; mirror tiles; busts of wood, wax, plaster or plastic; costume stands; pillows; cushions; pet cushions; head positioning pillows for babies; air cushions, not for medical use; air pillows, not for medical use; bolsters; head support cushions for babies; anti-roll cushions for babies; shelves for storage; shelves for file cabinets; bathtub grab bars, not of metal; silvered glass [mirrors]; bedding except linen; letter boxes, not of metal or masonry; counters [tables]; window openers, not of metal, non-electric; door openers, not of metal, non-electric; window closers, not of metal, non-electric; door closers, not of metal, non-electric; stoppers, not of glass, metal or rubber; embroidery frames; sections of wood for beehives; plastic ramps for use with vehicles; registration plates, not of metal; horn, unworked or semi-worked; stag antlers; animal horns; crucifixes of wood, wax, plaster or plastic materials, other than jewelry; window pulleys, not of metal; curtain rollers; rattan; door handles, not of metal; knobs, not of metal; hand-held mirrors [toilet mirrors]; bins, not of metal; toy chests; corozo; dog kennels; straw plaits; straw mattresses; straw edgings; sofas; plaited straw, except matting; statuettes of wood, wax, plaster or plastic materials; statues of wood, wax, plaster or plastic materials; racks [furniture]; magazine racks; bottle racks; gun racks; plate racks; table tops; seats; bath seats for babies; shower chairs; seats of metal; step stools, not of metal; plugs [dowels], not of metal; scratching posts for cats; typing desks; standing desks; console tables [furniture]; tables of metal; wall-mounted baby-changing tables; portable desks; tables; carts for computers [furniture]; lap desks; tea carts; window stops, not of metal or rubber; door stops, not of metal or rubber; stepladders not of metal; oyster shells; mobile boarding stairs, not of metal, for passengers; placards of wood or plastics; stools; footstools; crates; works of art of wood, wax, plaster or plastic; curtain holders not of textile materials; coffins; dressing tables; bathroom vanities [furniture]; washstands [furniture]; funerary urns; figurines made of wood, wax, plaster or plastic; hand-held flagpoles, not of metal; bed fittings, not of metal; coffin fittings, not of metal; furniture fittings not of metal; bottle casings of wood; runners, not of metal, for sliding doors; infant walkers; collars, not of metal, for

fastening pipes; vats not of metal; covers for clothing [wardrobe]; garment covers [storage]; hinges, not of metal; cupboards; filing cabinets; meat safes; medicine cabinets; luggage lockers; deck chairs; screens [furniture]; school furniture; birdhouses; sash fasteners, not of metal, for windows; door fasteners, not of metal; shoe dowels, not of metal; drawers for furniture; lockers [furniture]; brush mountings; non-metallic empty tool boxes; nesting boxes for household pets; chests not of metal.

28 – Games, toys; Video game apparatus; gymnastic and sporting articles; decorations for Christmas trees; arcade video game machines; video game machines; climbing harnesses; tennis ball throwing apparatus; men's athletic supporters [sports articles]; swimming pools [play articles]; trampolines; golf bag tags; rackets; billiard cues; billiard balls; billiard markers; billiard tables; coin-operated billiard tables; bodyboards; punching bags; boxing gloves; rattles [playthings]; building blocks [toys]; twirling batons; boomerangs; teddy bears; stationary exercise bicycles; creels [fishing traps]; video game consoles; hand-held consoles for playing video games; golf bag carts; shuttlecocks; fishing lines; gut for fishing; rods for fishing; dumbbells; gyroscopes and flight stabilizers for reduced model aircraft; swings; yoga swings; needles for pumps for inflating balls for games; jigsaw puzzles; exercisers [expanders]; darts; bite sensors [fishing tackle]; hang gliders; joysticks for video games; bells for Christmas trees; spinning tops [toys]; discs for sports; slide [game]; dominoes; swimming kick boards; surfboards; sailboards; spring boards [sports articles]; chessboards; checkerboards; drones [toys]; electronic targets; chest expanders [exercisers]; poles for pole vaulting; counters [discs] for games; swimming jackets; ascenders [mountaineering equipment]; scent lures for hunting or fishing; protective films adapted for screens for portable games; protective paddings [parts of sports suits]; toy putty; fidget toys; toys for pets; stuffed toys; novelties for parties; novelty toys for playing jokes; toy imitation cosmetics; toy vehicles; toy models; toy pistols; toy air pistols; toy robots; remote-controlled toy vehicles; figurines [toys]; ring games; gaming machines for gambling; amusement machines, automatic and coin-operated; playhouses for children; playing cards; building games; balls for playing bowls; divot repair tools [golf accessories]; kaleidoscopes; bladders of balls for games; resin used by athletes; edges of skis; paper party hats; carnival masks; bingo cards; trading cards for games; skittles; skittles [games]; quoits; golf clubs; ice skates; roller skates; in-line roller skates; rocking horses; controllers for toys; controllers for game consoles; confetti; dice; kite reels; reels for fishing; chalk for billiard cues; ski bindings; party balloons; marbles for games; ammunition for paint pistols [sports accessories]; flippers for diving; flippers for swimmers; flying disks [toys]; skis; waterskis; surf skis; roller skis; surfboard leashes; bows for archery;

dolls; dolls' clothes; dolls' houses; dolls' rooms; dolls' beds; mah-jong; puppets; masks [toys]; camouflage screens [sports articles]; scale model vehicles; matryochka dolls; ball-pitching machines; soap bubbles [toys]; hunting game calls; targets; toy mobiles; balls for games; board games; scale model kits [toys]; inflatable games for swimming pools; swimming pool air floats; artificial fishing bait; billiard table cushions; knee guards [sports articles]; billiard cue tips; elbow guards [sports articles]; play tents; backgammon games; water wings; pumps specially adapted for use with balls for games; table-top games; Christmas trees of synthetic materials; paddleboards; ski sticks; ski sticks for roller skis; paragliders; pachinko games; protective cups for sports; paintball guns [sports apparatus]; swimming webs; horseshoe games; sole coverings for skis; landing nets for anglers; Christmas tree stands; piñatas; percussion caps [toys]; caps for pistols [toys]; swimming belts; plush toys; security blankets [plush toys]; dolls' feeding bottles; kites; bite indicators [fishing tackle]; floats for fishing; portable games with liquid crystal displays; portable games and toys with integrated telecommunication functions; weight lifting belts [sports articles]; harness for sailboards; ornaments for Christmas trees, except illumination articles and confectionery; archery implements; decoys for hunting or fishing; apparatus for games; conjuring apparatus; fishing tackle; fish hooks; sling shots [sports articles]; baby gyms; rollers for stationary exercise bicycles; skateboards; baseball gloves; golf gloves; gloves [accessories for games]; roulette wheels; scooters [toys]; sledges [sports articles]; bobsleighs; skeleton sleds; candle holders for Christmas trees; nets for sports; butterfly nets; scratch cards for playing lottery games; slot machines [gaming machines]; artificial snow for Christmas trees; snow globes; snowshoes; snowboards; barbells; starting blocks for sports; clay pigeon traps; tables for table tennis; rhythmic gymnastics ribbons; strings for rackets; gut for rackets; golf bags, with or without wheels; cricket bags; clay pigeons [targets]; theatrical masks; tennis nets; waist trimmer exercise belts; toy modeling dough; tricycles for infants [toys]; bodybuilding apparatus; body-training apparatus [physical exercise]; machines for physical exercises; batting gloves [accessories for games]; appliances for gymnastics; bowling apparatus and machinery; fairground rides; fencing gauntlets; party poppers [party novelties]; hockey sticks; checkers [games]; shin guards [sports articles]; fencing weapons; fencing masks; chips for gambling; foosball tables; Christmas crackers [party novelties]; cups for dice; bags especially designed for skis; bags especially designed for surfboards; chess games; seal skins [coverings for skis]; masts for sailboards.

(260) AM 2024 123034 A

(800) 1732009

(151) 2022 12 20

(891) 2022 12 20

(731) Euro Games Technology Ltd.

4, "Maritsa" Str., "Vranya-Lozen-Triugulnika",  
BG-1151 Sofia, Bulgaria

(540)

## SHINING

(591) Black, white

(511)

9 – Operating computer software for main frame computers; monitors (computer hardware); computer hardware; apparatus for recording images; monitors (computer programs); computer game programs; computer programs for recorded games; apparatus for recording, transmission or reproduction of sound or images; communications servers [computer hardware]; electronic components for gambling machines; computer application software featuring games and gaming; computer software for the administration of on-line games and gaming; computer hardware for games and gaming; computer hardware and software for gambling, gambling machines, gambling games on the Internet and via telecommunication network; computer systems; computer operating system software; computer terminals; interactive terminals; multimedia terminals; electronic terminals for generating lottery tickets; interactive touch screen terminals; computer touchscreens; electronic display panels; liquid crystal display screens; digital signage display panels; multimedia software; multimedia apparatus and instruments; interactive multimedia software for playing games; computer screens; LCD large-screen displays; liquid crystal displays [LCDs] for home theatres; media streaming software; computer application software for streaming audio-visual media content via the Internet; software; computer gaming software; computer software packages; computer operating system software; computer software, recorded; software drivers; virtual reality software; games software; entertainment software for computer games; computer programs for network management; electronic lottery tickets; computer software platforms; operating systems; interactive computer systems; operating system programs; computer game software for use with on-line interactive games; games software for use with video game consoles; electronic game software provided via a global computer network or delivered via electronic multimedia broadcasting or by telecommunications or electronic transmission or via the Internet; computer games provided through a global computer network or supplied by means of multi-media electronic broadcast or through telecommunications or electronic transmission or via the internet.

28 – Gaming machines for gambling; chips for gambling; mah-jong; arcade games; gambling machines operating with coins, notes and cards; games; electro-

nic games; parlor games; gaming chips; gaming tables; slot machines [gaming machines]; LCD game machines; slot machines and gaming devices; coin-operated amusement machines; roulette chips; poker chips; chips and dice [gaming equipment]; gaming equipment for casinos; roulette tables; gaming roulette wheels; casino games; gambling machines and amusement machines, automatic and coin-operated; coin-operated amusement machines and/or electronic coin-operated amusement machines with or without the possibility of gain; boxes for coin-operated amusement machines, slot machines and gaming machines; electronic or electrotechnical amusement machines and apparatus, gaming machines, coin-operated entertainment machines; housings for coin-operated amusement machines, gaming equipment, gaming machines, machines for gambling; electropneumatic and electrical gambling machines (slot machines); lottery games; electronic targets for games and sports; video game consoles.

41 – Gambling; entertainment services related to gambling; gaming services for entertainment purposes; casino, gaming and gambling services; training in the development of software systems; provision of gaming equipment for gambling halls; providing casino equipment [gambling]; gaming machine entertainment services; providing casino facilities [gambling]; amusement arcade services; amusement arcades; games equipment rental; rental of gaming machines; providing amusement arcade services; rental of gaming machines with images of fruits; editing or recording of sounds and images; sound recording and video entertainment services; hire of sound reproducing apparatus; provision of gaming equipment for casinos; providing of casino facilities; online gambling services; casino management services; provision of gaming facilities, gaming hall facilities, Internet casinos and online gambling services; lottery services; organization of lotteries; provision of games by means of a computer based system; online interactive entertainment; on-line casino services; online game services through mobile devices; providing online entertainment in the nature of game tournaments; providing on-line information in the field of computer gaming entertainment; sports betting services; online sports betting services; providing on-line computer games and games of chance, in particular use of non-downloadable games; rental of video game consoles; electronic game services provided via a global computer network or delivered via electronic multimedia broadcasting or via telecommunications or electronic transmission or via the Internet.

(260) AM 2024 123039 A

(800) 1732085

(151) 2023 01 31

(891) 2023 01 31

(731) ERC DISTRIBUTION AG  
Poststrasse 14, CH-6302 Zug, Switzerland

(540)



(591) Blue

(531) 27.05.17; 27.07.17; 29.01.04

(511)

9 – Scientific, research, navigation, surveying, photographic, cinematographic, audiovisual, optical, weighing, measuring, signalling, detecting, testing, inspecting, life-saving and teaching apparatus and instruments; apparatus and instruments for conducting, switching, transforming, accumulating, regulating or controlling the distribution or use of electricity; apparatus and instruments for recording, transmitting, reproducing or processing sound, images or data; recorded and downloadable media, computer software, blank digital or analogue recording and storage media; cash registers, calculating devices; computers and computer peripheral devices; cordless telephones; smartphones; mobile telephones, cellular phones; holders adapted for mobile telephones and smartphones; in-car telephone handset cradles; headphones; sleeves for laptops; covers for tablet computers; automated teller machines [ATM]; steering devices, automatic, for vehicles; automatic indicators of low pressure in vehicle tires; parking meters; aerometers; asbestos clothing for protection against fire; asbestos gloves for protection against accidents; asbestos screens for firemen; actinometers; electric accumulators; electric accumulators for vehicles; acoustic couplers; altitudes; altimeters; ammeters; anemometers; anodes; anode batteries; antennas; anticathodes; apparatus to check franking; electric devices for remote ignition; X-ray producing apparatus and installations not for medical use; fermentation apparatus for laboratory use; remote control apparatus; testing apparatus not for medical use; apertometers [optics]; acidimeters for batteries; apparatus and instruments for astronomy; audiovisual teaching apparatus; luminous beacons; lighting ballasts; accumulator jars; barometers; ignition batteries; electric batteries; balances [steelyards]; betatrons; binoculars; computer memory devices; integrated circuits; digital notepads; fire hose nozzles; connected bracelets [measuring instruments]; bullet-proof vests; marking buoys; signaling buoys; directional compasses; scales; weighbridges; tone arms for record players; plumb bobs; vacuum gauges; variometers; solenoid valves [electromagnetic switches]; shoes for protection against accidents, irradiation and fire; terminals [electricity]; electric plugs; circuit breakers [electricity]; switchboxes [electricity]; gauges; measuring instruments; measuring apparatus; electric measuring apparatus; measures; current rectifiers; high-frequency apparatus; flow meters; branch boxes [electricity]; video screens; video cameras; video cassettes; video te-

lephones; telephone answering machines; photographic viewfinders; viscosimeters; peepholes [magnifying lenses] for doors; electric switches; fire extinguishers; diving suits; fiber-optic cables; voltmeters; battery chargers; ear plugs for divers; gas analysis apparatus; gasometers [measuring instruments]; electric discharge tubes other than for lighting; galena crystals [detectors]; galvanic batteries; galvanic cells; galvanometers; hands-free kits for telephones; heliographic apparatus; surveying apparatus and instruments; weights; hygrometers; sonars; hydrometers; needles for record players; holograms; sound recording disks; lightning conductors; sounding leads; buzzers; loudspeakers; range finders (telemeters); decompression chambers; densimeters; densitometers; detectors; smoke detectors; counterfeit coin detectors; signal bells; electric alarm bells; bells [warning apparatus]; mirrors for inspecting work; mirrors [optics]; dictating machines; dynamometers; floppy disks; magnetic disks; optical disks; disk drives [for computers]; juke boxes for computers; telerupters; distillation apparatus for scientific use; diffraction apparatus [microscopy]; breathing apparatus for underwater swimming; breathing apparatus, except for artificial respiration; diagnostic apparatus, not for medical use; slide projectors; diaphragms for scientific apparatus; diaphragms [photography]; DNA chips; adding machines; dosage dispensers [dosimeters]; luminous or mechanical road signs; jigs [measuring instruments]; fuse wires; choking coils [impedance]; ovens for laboratory use; screens [photography]; exposure meters [light meters]; electrified rails for mounting spot lights; electric installations for the remote control of industrial operations; electric door bells; electro-dynamic apparatus for the remote control of railway points; electro-dynamic apparatus for the remote control of signals; electrolyzers; electromagnetic coils; downloadable electronic publications; electronic tags for goods; electronic pocket translators; electronic collars to train animals; electronic pens [visual display units]; electronic notice boards; epidiascopes; ergometers; magnetic identification bracelets; electric locks; electronic agendas; voltage surge protectors; fuses; chargers for electronic cigarettes; protective suits for aviators; protection devices against X-rays, not for medical use; protective films adapted for computer screens; head guards for sports; mouth guards for sports; balancing devices; acoustic [sound] alarms; sound reproduction apparatus; sound recording carriers; sound recording apparatus; sound transmission apparatus; acoustic conduits; surveying instruments; wire connectors [electricity]; junction boxes [electricity]; couplers [data processing equipment]; connections for electric lines; electric couplings; connectors [electricity]; luminous signs; probes for scientific use; sounding apparatus and machines; readers [data processing equipment]; bar code readers; inverters [electricity]; pressure indicators; slope indicators; incubators for bacteria culture; interfaces [for computers]; ionization apparatus not

for the treatment of air or water; spark-guards; electricity conduits; electric cables; coaxial cables; calipers; calibrating rings; calorimeters; pocket calculators; teeth protectors; capillary tubes for laboratory use; holders for electric coils; video game cartridges; carriers for dark plates [photography]; cassette players; cathodes; cathodic anti-corrosion devices; mouse pads; acid hydrometers; exposed cinematographic films; cinematographic cameras; push buttons for bells; covers for electric outlets; encoded magnetic cards; magnetic encoders; electric collectors; dog whistles; compact disks [audio-video]; optical compact disks; comparators; marine compasses; joysticks for use with computers, other than for video games; computer keyboards; computer printers; magnetic tape units [for computers]; recorded computer programs; electric apparatus for commutation; electrical condensers [capacitors]; optical condensers; electric contacts; contact lenses; boiler control instruments; correcting lenses [optics]; accumulator boxes; cabinets for loudspeakers; cosmographic instruments; clothing for protection against fire; laboratory pipettes; pedometers; graduated compasses; azimuth instruments; laboratory trays; logs [measuring instruments]; lasers not for medical use; lactodensimeters; lactometers; darkroom lamps [photography]; eyeglass chains; optical lenses; rulers [measuring instruments]; carpenters' rules; flashing lights [light signals]; flashlights [photography]; magic lanterns; optical lamps; counters; revolution counters; distance recording apparatus; mileage recorders for vehicles, kilometer recorders for vehicles; slide-rules; magnifying glasses [optics]; magnets; decorative magnets; magnetic wires; magnetic tapes; videotapes; crash test dummies; resuscitation mannequins [teaching apparatus]; pressure gauges; solderers' helmets; protective masks, not for medical use; diving masks; mathematical instruments; materials for electricity mains [wires, cables]; money counting and sorting machines; material testing instruments and machines; weighing machines; furniture especially made for laboratories; megaphones; portable media players; metal detectors for industrial or military use; meteorological instruments; meteorological balloons; rules [measuring instruments]; dressmakers' measures; metronomes; mechanisms for counter-operated apparatus; mechanical signs; mouse [computer peripheral]; insulated copper wire; micrometers; micrometer screws for optical instruments; microprocessors; microscopes; microtomes; microphones; surveying chains; measuring spoons; modems; monitors [computer programs]; monitors [computer hardware]; devices for editing cinematographic films; nautical apparatus and instruments; marine depth finders; naval signaling apparatus; coin-operated musical automata [juke boxes]; animated cartoons; junction sleeves for electric cables; electric coils; inductors [electricity]; navigation apparatus for vehicles [on-board computers]; navigational instruments; teaching apparatus; knee-pads for workers;

semiconductors; screw-tapping gauges; chargers for electric accumulators; neon signs; identification threads for electric wires; thread counters; surveyors' levels; leveling instruments; verniers; magnetic data media; optical data media; nose clips for divers and swimmers; notebook computers; objectives [lenses] [optics]; lenses for astrophotography; limiters [electricity]; sheaths for electric cables; egg candlers; electrified fences; clothing for protection against fire; clothing for protection against accidents, irradiation and fire; special clothing for laboratories; ozonizers [ozonators]; octants; spectacles [optics]; sunglasses; goggles for sports; eyepieces; ohmmeters; electric resistances; eyeglass frames; optical glass; eyewear; optical readers; optical apparatus and instruments; sighting telescopes for firearms; protection devices for personal use against accidents; oscillographs; cleaning apparatus for sound recording discs; selfie sticks [hand-held monopods]; safety restraints other than for vehicle seats or sports equipment; pince-nez; stills for laboratory experiments; intercommunication apparatus; speaking tubes; transmitters [telecommunication]; transmitters of electronic signals; mechanisms for coin-operated apparatus; coin-operated mechanisms for television sets; oxygen transvasing apparatus; switchboards; commutators; spools [photography]; circuit breakers; electric converters; periscopes; punched card machines for offices; furnaces for laboratory use; drying racks [photography]; wrist rests for use with computers; pyrometers; egg timers [sandglasses]; planimeters; plane tables [surveying instruments]; plates for batteries; silicon boards for integrated circuits; printed circuit boards; sound recording strips; exposed films; plotters; fire engines; fire escapes; fire pumps; fire alarms; fire boats; fire beaters; fire hoses; levels [instruments for determining the horizontal]; electric loss indicators; quantity indicators; wind socks for indicating wind direction; petrol gauges; gasoline gauges; water level indicators; sprinkler systems for fire protection; polarimeters; vehicle breakdown warning triangles; amplifying lamps; amplifiers; letter scales; prisms [optics]; receivers [audio, video]; air analysis apparatus; food analysis apparatus; distance measuring apparatus; appliances for measuring the thickness of leather; apparatus for measuring the thickness of skins; speed checking apparatus for vehicles; time recording apparatus; instruments containing eyepieces; weighing apparatus and instruments; Global Positioning System [GPS] apparatus; particle accelerators; railway traffic safety appliances; speed measuring apparatus [photography]; invoicing machines; video recorders; tape recorders; apparatus for changing record player needles; data processing apparatus; film cutting apparatus; test tubes; electric conductors; electric wires; telephone wires; ducts [electricity]; record players; compact disc players; DVD players; computer game programs; downloadable computer programs; recorded computer operating programs; software [recorded programs]; projection apparatus; projection scre-

ens; transparencies [photography]; washing trays [photography]; respiratory masks other than for artificial respiration; anti-interference devices [electricity]; anti-glare glasses; anti-dazzle shades; electric installations for theft prevention; anti-theft warning apparatus; fire blankets; processors [central processing units]; rods for water diviners; plumb lines; control panels [electricity]; starter cables for motors; radar apparatus; vehicle radios; vacuum tubes [radio]; radiological apparatus for industrial use; radiology screens for industrial use; radio pagers; transmitting sets [telecommunication]; radios; radiotelegraphy sets; radiotelephony sets; masts for wireless aerials; frames for photographic transparencies; screens for photoengraving; abacuses; calculating machines; voting machines; walkie-talkies; electric regulating apparatus; stage lighting regulators; voltage regulators for vehicles; electric light regulators [dimmers]; speed regulators for record players; reducers [electricity]; leveling staffs [surveying instruments]; marking gauges [joinery]; electric relays; cell phone straps; X-ray apparatus not for medical use; exposed x-ray films; X-ray tubes not for medical use; X-ray photographs, other than for medical use; rheostats; respirators for filtering air; retorts; refractometers; refractors; grids for batteries; downloadable ringtones for mobile telephones; demagnetizing apparatus for magnetic tapes; identification sheaths for electric wires; magnetic identity cards; distribution consoles [electricity]; distribution boxes [electricity]; distribution boards [electricity]; slide calipers; mercury levels; diving gloves; gloves for protection against X-rays for industrial use; gloves for protection against accidents; horns for loudspeakers; life-saving apparatus and equipment; safety tarpaulins; life buoys; life jackets; life-saving rafts; life belts; safety nets; whistle alarms; reflective articles for wear for the prevention of accidents; reflective safety vests; optical fibers [light conducting filaments]; blueprint apparatus; light-emitting diodes [LED]; light-emitting electronic pointers; filters for photography; traffic-light apparatus [signaling devices]; sextants; non-explosive fog signals; luminous or mechanical signals; signal lanterns; alarms; signaling whistles; signaling panels, luminous or mechanical; sirens; nets for protection against accidents; scanners [explorers] [data processing equipment]; spectacle lenses; graduated glassware; smart watches; smart glasses; salinometers; solar batteries; spectrograph apparatus; spectroscopes; spirit levels; alcohol meters; speed indicators; monitoring apparatus other than for medical use; observation instruments; shutter releases [photography]; personal stereos; stereoscopes; stereoscopic apparatus; head cleaning tapes; sulfimeters; satellites for scientific use; satellite navigation apparatus; drying apparatus for photographic prints; spherometers; printed circuits; chips [integrated circuits]; time clocks [time recording devices]; taximeters; tachometers; television apparatus; telegraphs [apparatus]; teleprinters; telegraph wires; telescopes; telepromp-

ters; portable telephones; telephone apparatus; telephone transmitters; telephone receivers; temperature indicators; theodolites; heat regulating apparatus; thermionic tubes; thermionic valves; thermometers, not for medical use; thermostats; thermostats for vehicles; crucibles [laboratory]; pressure measuring apparatus; pressure indicator plugs for valves; totalizers; precision balances; precision measuring apparatus; transformers [electricity]; transponders; protractors [measuring instruments]; step-up transformers; simulators for the steering or control of vehicles; retorts' stands; tripods for cameras; triodes; sounding lines; urinometers; downloadable image files; downloadable music files; facsimile machines; apparatus and instruments for physics; filters for ultraviolet rays for photography; filters for respiratory masks; wearable activity trackers; USB flash drives; fluorescent screens; cameras [photography]; flash-bulbs [photography]; glazing apparatus for photographic prints; drainers for use in photography; photovoltaic cells; shutters [photography]; enlarging apparatus [photography]; photocopiers; darkrooms [photography]; photometers; phototelegraphy apparatus; containers for contact lenses; eyeglass cases; cases for smartphones; containers for microscope slides; cases especially made for photographic apparatus and instruments; wave-meters; chemistry apparatus and instruments; chromatography apparatus for laboratory use; chronographs [time recording apparatus]; laboratory centrifuges; centering apparatus for photographic transparencies; cyclotrons; saccharometers; automatic time switches; frequency meters; hard covers for smartphones; eyeglass cords; riding helmets; protective helmets for sports; protective helmets; sound locating instruments; workmen's protective face-shields; armatures [electricity].

11 – Apparatus and installations for lighting, heating, cooling, steam generating, cooking, drying, ventilating, water supply and sanitary purposes; Lamp shades; electric autoclaves for cooking; aquarium lights; aquarium heaters; aquarium filtration apparatus; steam accumulators; heat accumulators; anti-glare devices for vehicles [lamp fittings]; defrosters for vehicles; hot air apparatus; book sterilization apparatus; air deodorizing apparatus; loading apparatus for furnaces; tanning beds; apparatus for dehydrating food waste; ionization apparatus for the treatment of air or water; beverage-cooling apparatus; air cooling devices; gas scrubbing apparatus; oil-scrubbing apparatus; desiccating apparatus; coffee roasters; whirlpool-jet apparatus; drying apparatus for fodder and forage; hand-drying apparatus for washrooms; water filtering apparatus; swimming pool chlorinating apparatus; grills [cooking appliances]; steam facial apparatus [saunas]; heating and cooling apparatus for dispensing hot and cold beverages; air purification apparatus and machines; water softening apparatus and installations; light-emitting diode [LED] lighting apparatus; lighting apparatus and installations; underfloor heating apparatus

and installations; hydromassage bath apparatus; acetylene generators; acetylene flares; acetylene burners; germicidal lamps for purifying air; barbecues; bidets; laundry room boilers; washing coppers; bathtubs; spa baths; electric cooktops; electric waffle irons; bicycle lights; fans [air-conditioning]; fans [parts of air-conditioning installations]; electric fans for personal use; ventilation [air-conditioning] installations for vehicles; ventilation [air-conditioning] installations and apparatus; kilns; evaporators; extractor hoods for kitchens; ventilation hoods; ventilation hoods for laboratories; fabric steamers; pressurized water tanks; water conduits installations; pipes [parts of sanitary installations]; water intake apparatus; water heaters; water purification installations; water purifying apparatus and machines; water supply installations; water flushing installations; flushing tanks; carbon for arc lamps; gas condensers other than parts of machines; gas boilers; gas burners; gas lamps; gas scrubbers [parts of gas installations]; microbubble generators for baths; hydrants; fairy lights for festive decoration; wicks adapted for oil stoves; hearths; rotisseries; hot water bottles; warming pans; foot warmers, electric or non-electric; bed warmers; electric food dehydrators; disinfectant apparatus; disinfectant apparatus for medical use; deodorizing apparatus not for personal use; fog machines; chimney flues; disinfectant apparatus for dispensing solutions into water pipes for sanitary installations; stills; distillation apparatus; distillation columns; arc lamps; showers; shower cubicles; electric beverage urns; flues for heating boilers; feeding apparatus for heating boilers; immersion heaters; friction lighters for igniting gas; gas lighters; safety accessories for water or gas apparatus and pipes; chimney blowers; humidifiers for central heating radiators; air humidifiers; coils [parts of distilling, heating or cooling installations]; furnace ash boxes; drip irrigation emitters [irrigation fittings]; electric appliances for making yogurt; electric coffee machines; coffee capsules, empty, for electric coffee machines; heating apparatus; lava rocks for use in barbecue grills; domestic fireplaces; hot air ovens; electrically heated carpets; oxyhydrogen burners; Chinese lanterns; pocket warmers; level controlling valves in tanks; air valves for steam heating installations; electric blankets, not for medical use; furnace grates; air conditioners for vehicles; taps for pipes and pipelines; mixer taps for water pipes; taps; radiator caps; portable forges; electric cooking utensils; cooking apparatus and installations; cooking rings; kitchen ranges [ovens]; cookers (cooking stoves); laboratory lamps; laboratory burners; lamps for lighting; curling lamps; curing lamps not for medical use; nail lamps; electric lamps; lamp chimneys; electric lights for Christmas trees; safety lamps; street lamps; lights for automobiles; lanterns for lighting; lights for vehicles; candle lanterns; electric flashlights; headlamps; chandeliers; oil lamps; ice-cream making machines; electric pounded rice cake making machines for household use; electric soy

milk making machines; ice-cube machines and apparatus; microwave ovens [cooking apparatus]; microwave ovens for industrial use; freezers; motorcycle lights; multi-cookers; air fryers; foot muffs, electrically heated; heating apparatus for defrosting windows of vehicles; heating elements; hot plates; heaters for baths; electric heaters for feeding bottles; heaters for heating irons; air reheaters; brackets for gas burners; structural plates for ovens; electric heating filaments; magnesium filaments for lighting; filaments for electric lamps; luminous house numbers; heating plates; stoves [heating apparatus]; fumigation apparatus not for medical use; hot air bath fittings; electrically heated clothing; hot water heating installations; heating installations; heaters for vehicles; electric heating apparatus; heating apparatus for solid, liquid or gaseous fuels; heating boilers; kiln furniture [supports]; dehumidifiers; coolers for furnaces; electric cool boxes; purification installations for sewage; burners; germicidal burners; burners for lamps; oil burners; electric food steamers; boilers other than parts of machines; steam boilers, other than parts of machines; pasteurizers; sockets for electric lamps; portable Turkish bath cabinets; electric coffee percolators; bakers' ovens; dental ovens; ovens, other than for laboratory use; diving lights; plate warmers; urinals; lamp globes; electric heating cushions, not for medical use; automatic watering installations; watering machines for agricultural purposes; polymerization installations; electric tortilla presses; heated display cabinets; cooling apparatus and installations; electric vacuum cookers; electric couscous cookers; electric chocolate fountains; USB-powered hand warmers; air-conditioning apparatus; glue-heating appliances; roasting jacks; USB-powered cup heaters; searchlights; washers for water taps; anti-splash tap nozzles; radiators [heating]; electric radiators; central heating radiators; sinks; refining towers for distillation; heat regenerators; regulating accessories for water or gas apparatus and pipes; regulating and safety accessories for water apparatus; regulating and safety accessories for gas apparatus; regulating and safety accessories for gas pipes; dampers [heating]; lamp reflectors; vehicle reflectors; roasting spits; incandescent burners; expansion tanks for central heating installations; sanitary apparatus and installations; bath fittings; standard lamps; lighting apparatus for vehicles; light bulbs; electric light bulbs; directional lights for bicycles; light projectors; light diffusers; toilet seats; bathtubs for sitz baths; hydroponic growing systems; lamp glasses; incinerators; solar furnaces; thermal-conversion solar collectors [heating]; alcohol burners; ceiling lights; sterilizers; water sterilizers; air sterilizers; clean chambers [sanitary installations]; electric laundry dryers; malt roasters; tobacco roasters; fruit roasters; air dryers; drying apparatus and installations; electric tajines; heat pumps; heat guns; heat exchangers other than parts of machines; electric thermo-pots; thermostatic valves [parts of heating installations]; floor lamps; to-



asters; lampshade holders; boiler pipes [tubes] for heating installations; electric discharge tubes for lighting; luminous tubes for lighting; toilets [WC]; portable toilets; ultraviolet ray lamps not for medical use; wash-hand basins [parts of sanitary installations]; toilet bowls; automatic ash conveyor installations; bath installations; steam generating installations; desalination plants; air conditioning installations; installations for processing nuclear fuel and nuclear moderating material; water cooling installations; milk cooling installations; cooling installations for liquids; cooling installations for tobacco; lighting installations for air vehicles; water distribution installations; sauna bath installations; air filtering installations; flaming torches; flare stacks for use in the oil industry; headlights for automobiles; vehicle headlights; fittings, shaped, for ovens; hair dryers; air filters for air conditioning; filters for drinking water; fountains; ornamental fountains; electric deep fryers; oven fittings made of fire clay; bread baking machines; bread-making machines; refrigerators; refrigerators, cooling apparatus and freezers for medical storage purposes; refrigerating apparatus and machines; refrigerating containers; refrigerating chambers; refrigerating display cabinets; refrigerating apparatus and installations; refrigerating cabinets; chromatography apparatus for industrial use; lamp mantles; electric kettles; electric wine cellars; miners' lamps; electrically heated socks; nuclear reactors; chemically activated heating packets for warming feet, not for medical use; chemically activated cooling packets for cooling feet, not for medical use; chemically activated heating packets for warming hands, not for medical use; chemically activated cooling packets for cooling hands, not for medical use; electric heating pads; chemically heated pads, not for medical use; electrically heated boots.

12 – Vehicles; Apparatus for locomotion by land, air or water; motor buses; motor coaches; gyrocopters; lorries; self-driving cars; automobiles; sports cars; ambulances; concrete mixing vehicles; automobile hoods; automobile bodies; automobile chains; cigar lighters for automobiles; automobile chassis; automobile tires; autonomous underwater vehicles for seabed inspections; refrigerated vehicles; camping cars; dirigible balloons (airships); hot-air balloons; shock absorbers for automobiles; suspension shock absorbers for vehicles; anti-glare devices for vehicles; luggage carriers for vehicles; ski carriers for automobiles; bumpers for automobiles; vehicle bumpers; tires for vehicle wheels; bands for wheel hubs; barges; launches; brake shoes for vehicles; safety seats for children, for vehicles; driverless cars [autonomous cars]; side view mirrors for vehicles; tailboard lifts [parts of land vehicles]; caravans; buffers for railway rolling stock; mine cars; tilt trucks; railway carriages; sleeping cars; dining cars; refrigerated railway wagons; trucks with a crane feature incorporated; bicycles; electric bicycles; bicycle kickstands; bicycle brakes; bicycle motors; bicycle bells; dress guards for bicycles; bicycle

handlebars; bicycle wheels; bicycle chains; bicycle pedals; bicycle frames; bicycle saddles; bicycle cranks; gears for bicycles; bicycle tires; tubeless tires for bicycles; bicycle mudguards; helicopters; push-chair hoods; oars for boats; paddles for canoes; sculls; forklift trucks; handling carts; bogies for railway cars; hose carts; casting carriages; tilting-carts; two-wheeled trolleys; cleaning trolleys; shopping trolleys; fishing trolleys; trolleys; carts; roll cage trolleys; scooters for people with reduced mobility; windows for vehicles; lug nuts for vehicle wheels; vehicle brakes; screws [propellers] for ships; helicams; hydraulic circuits for vehicles; seaplanes; torque converters for land vehicles; self-balancing boards; self-balancing scooters; ski lifts; hydroplanes; golf carts [vehicles]; racing cars; bellows for articulated buses; screw-propellers; screw-propellers for boats; treads for vehicles [roller belts]; doors for vehicles; engines for land vehicles; shock absorbing springs for vehicles; vehicle joysticks; diving bells; rearview mirrors; funnels for locomotives; funnels for ships; brake disks for vehicles; handcars; military drones; delivery drones; camera drones; civilian drones; tow trucks; horse-drawn carriages; electric motors for land vehicles; railway couplings; sun-blinds adapted for automobiles; spoke clips for wheels; horns for vehicles; dredgers [boats]; trailer hitches for vehicles; couplings for land vehicles; portholes; cars for cable transport installations; inner tubes for bicycle tires; inner tubes for pneumatic tires; canoes; hoods for vehicle engines; hoods for vehicles; crankcases for land vehicle components other than for engines; ejector seats for aircraft; rudders; steering wheels for vehicles; kick sledges; valves for vehicle tires; clips adapted for fastening automobile parts to automobile bodies; hub caps; mine cart wheels; vehicle wheels; casters for carts [vehicles]; brake pads for automobiles; pushchairs; pet strollers; baby carriages; aerial conveyors; ships; gear boxes for land vehicles; ships' hulls; space vehicles; rowlocks; baskets adapted for bicycles; fenders for ships; caps for vehicle fuel tanks; cleats [nautical]; chairlifts; vehicle seats; wheelchairs; vehicle bodies; tipping bodies for trucks; anti-skid chains; adhesive rubber patches for repairing inner tubes; airplanes; amphibious airplanes; aircraft; locomotives; hubs for bicycle wheels; hubs for vehicle wheels; steering devices for ships; self-balancing electric unicycles; engine mounts for land vehicles; mopeds; motor scooters; motorcycle kickstands; motorcycle engines; motorcycle handlebars; side cars; motorcycle chains; motorcycle frames; motorcycle saddles; motorcycles; freewheels for land vehicles; fitted footmuffs for strollers; fitted footmuffs for baby carriages; clutches for land vehicles; repair outfits for inner tubes; brake linings for vehicles; pumps for bicycle tires; vehicle upholstery; rims for bicycle wheels; vehicle wheel rims; axles; axle journals; parachutes; safety belts for vehicle seats; security harness for vehicle seats; gearing for land vehicles; caissons [vehicles]; tipping apparatus [parts of

railway wagons]; vehicle suspension springs; headrests for vehicle seats; vehicle running boards; tire mousse inserts; aeronautical apparatus, machines and devices; air pumps [vehicle accessories]; air bags [safety devices for automobiles]; signal arms for vehicles; casings for pneumatic tires; sprinkling trucks; pontoons; ashtrays for automobiles; ferry boats; non-skid devices for vehicle tires; anti-theft devices for vehicles; trailers [vehicles]; bicycle trailers; trailers for transporting bicycles; balance weights for vehicle wheels; anti-theft alarms for vehicles; fitted pushchair mosquito nets; spars for ships; jet engines for land vehicles; reduction gears for land vehicles; robotic cars; disengaging gear for boats; rolling stock for railways; rolling stock for funicular railways; propulsion mechanisms for land vehicles; scooters [vehicles]; sleighs [vehicles]; rescue sleds; brake segments for vehicles; reversing alarms for vehicles; luggage nets for vehicles; windshields; windshield wipers; headlight wipers; garbage trucks; snowmobiles; sleeping berths for vehicles; spokes for bicycle wheels; vehicle wheel spokes; spoilers for vehicles; inclined ways for boats; treads for retreading tires; boat hooks; panniers adapted for bicycles; saddlebags adapted for bicycles; bags designed for strollers; panniers adapted for motorcycles; wheelbarrows; telfer railways [cable cars]; torsion bars for vehicles; tractors; tramcars; transmission mechanisms for land vehicles; transmission shafts for land vehicles; transmission chains for land vehicles; military vehicles for transport; armored vehicles; vehicles for locomotion by land, air, water or rail; electric vehicles; remotely operated vehicles for underwater inspections; remote-controlled vehicles other than toys; air cushion vehicles; all-terrain vehicles; tricycles; delivery tricycles; amphibious vehicles; cup holders for vehicles; turbines for land vehicles; towing trucks; driving motors for land vehicles; drive chains for land vehicles; cable transport apparatus and installations; flanges for railway wheel tires; funiculars; vans [vehicles]; undercarriages for vehicles; boats; pushchair covers; covers for vehicle steering wheels; spare wheel covers; seat covers for vehicles; saddle covers for bicycles; saddle covers for motorcycles; vehicle covers [shaped]; vehicle chassis; connecting rods for land vehicles other than parts of motors and engines; tires for snowplows; tires; solid tires for vehicle wheels; spikes for tires; davits for watercraft; timbers [frames] for ships; vehicle bonnet pins; mudguards; masts for boats; yachts.

16 – Paper and cardboard; Photographs; stationery and office requisites, except furniture; drawing materials and materials for artists; plastic sheets, films and bags for wrapping and packaging; printing type, printing blocks; fountain pens; address plates for addressing machines; address stamps; addressing machines; aquarelles; albums; almanacs; bookbinding apparatus and machines [office equipment]; papers for painting and calligraphy; architects' models; atlases; banknotes; paper bows, other than haberdashery or hair deco-

rations; name badges [office requisites]; baggage claim check tags of paper; tags for index cards; biological samples for use in microscopy [teaching materials]; forms, printed; glitter for stationery; pads [stationery]; drawing pads; wristbands for the retention of writing instruments; pamphlets; booklets; plastic bubble packs for wrapping or packaging; rollers for typewriters; house painters' rollers; composing sticks; signboards of paper or cardboard; sewing patterns; viscose sheets for wrapping; greeting cards; drawer liners of paper, perfumed or not; cream containers of paper; waxed paper; charcoal pencils; newspapers; electrotypes; hectographs; geographical maps; shields [paper seals]; toilet paper; bunting of paper; histological sections for teaching purposes; modeling clay; polymer modeling pastes; terrestrial globes; drawing sets; engraving plates; engravings; graphic representations; graphic reproductions; graining combs; pencil leads; rubber erasers; elastic bands for offices; adhesive tape dispensers [office requisites]; sleeved bibs of paper; bibs of paper; diagrams; punches [office requisites]; advertisement boards of paper or cardboard; galley racks [printing]; typewriters [electric or non-electric]; printed matter; printed publications; graphic prints; prints [engravings]; labels of paper or cardboard; hand labeling appliances; magazines [periodicals]; bookmarkers; notebooks; money clips; paper clasps; pen clips; clips for name badge holders [office requisites]; moisteners [office requisites]; moisteners for gummed surfaces [office requisites]; binding strips [bookbinding]; erasing products; writing board erasers; transfers (decalcomanias); writing or drawing books; handwriting specimens for copying; non-electric credit card imprinters; newsletters; calendars; tracing patterns; tracing paper; tracing cloth; gums [adhesives] for stationery or household purposes; ink stones [ink reservoirs]; framed or unframed paintings [pictures]; announcement cards [stationery]; trading cards other than for games; cards; wood pulp board [stationery]; cardboard tubes; binders [office requisites]; catalogs; flower-pot covers of paper; manifolds [stationery]; tickets; typewriter keys; glue for stationery or household purposes; adhesive bands for stationery or household purposes; adhesive tapes for stationery or household purposes; gluten [glue] for stationery or household purposes; adhesives [glues] for stationery or household purposes; books; bookends; comic books; coloring books; drawing pins; thumbtacks; envelopes [stationery]; carbon paper; copying paper [stationery]; tracing needles for drawing purposes; duplicators; correcting fluids [office requisites]; correcting ink [heliography]; cardboard hat boxes; boxes of paper or cardboard; drawing squares; spools for inking ribbons; retractable reels for name badge holders [office requisites]; tailors' chalk; chalk for lithography; spray chalk; drawing boards; drawing instruments; French curves; drawing pens; starch paste [adhesive] for stationery or household purposes; printed coupons; document laminators [for office use]; absor-

bent sheets of paper or plastic for foodstuff packaging; sheets of reclaimed cellulose for wrapping; humidity control sheets of paper or plastic for foodstuff packaging; musical greeting cards; flyers; drawing rulers; steel letters; lithographs; lithographic works of art; lithographic stones; paint trays; pictures; plastics for modeling; sealing compounds for stationery purposes; bookbinding material; modeling materials; packaging material made of starches; envelope sealing machines for offices; sealing machines for offices; franking machines for office use; pencil sharpening machines, electric or non-electric; plastic bags for pet waste disposal; garbage bags of paper or of plastics; modeling wax not for dental use; painters' easels; padding materials of cardboard or paper; stuffing of paper or cardboard; portable printing sets [office requisites]; teaching material except apparatus; stickers [stationery]; dental tray covers of paper; fingerstalls for office use; table runners of paper; writing cases [stationery]; writing cases [sets]; paper knives [letter openers]; paper creasers [office requisites]; handkerchiefs of paper; printed sheet music; numbering apparatus; wrappers [stationery]; protective covers for books; passport holders; sealing wafers; index cards [stationery]; indexes; arithmetical tables; oleographs; pencils; pencil lead holders; slate pencils; bottle wrappers of paper or cardboard; office requisites except furniture; office perforators; etchings; etching needles; printers' blankets not of textile; bags for microwave cooking; bottle envelopes of paper or cardboard; conical paper bags; paper bags for sterilization of medical instruments; packing [cushioning, stuffing] materials of paper or cardboard; palettes for painters; pantographs [drawing instruments]; papier mâché; paper sheets [stationery]; electrocardiograph paper; paper for recording machines; paper for medical examination tables; wrapping paper; paper for radiograms; wood pulp paper; luminous paper; document files [stationery]; folders for papers; loose-leaf binders; ring binders; pastels [crayons]; modeling paste; pen cases; paintbrushes; painters' brushes; nibs; nibs of gold; steel pens; parchment paper; periodicals; pen wipers; perforated cards for Jacquard looms; seals [stamps]; writing chalk; writing materials; writing paper; writing slates; writing instruments; writing brushes; letter trays; trays for sorting and counting money; handbooks [manuals]; hand-rests for painters; stands for pens and pencils; photograph stands; paper coasters for decanters; mats of paper for beer glasses; stamp stands; desk mats; table mats of paper; place mats of paper; song books; posters; clipboards [office requisites]; plastic film for wrapping; extensible plastic cling film for palletization; animation cels; paper shredders for office use; stamp pads; banners of paper; canvas for painting; cloth for bookbinding; gummed cloth for stationery purposes; portraits; postcards; postage stamps; obliterating stamps; flags of paper; paperweights; vignetting apparatus; apparatus for mounting photographs; blotters; prospectuses; printers' galleys; ledgers

[books]; drawing T-squares; isinglass for stationery or household purposes; rice paper; paper cutters [office requisites]; printed timetables; marking chalk; pens [office requisites]; marking pens [stationery]; pen holders; face towels of paper; hand towels of paper; self-adhesive tapes for stationery or household purposes; plans; tissues of paper for removing make-up; paper wipes for cleaning; table napkins of paper; cigar bands; tablecloths of paper; staples for offices; scrapers [erasers] for offices; paper clips; silver paper; stearate [tailor's chalk]; stapling presses [stationery]; composing frames [printing]; table linen of paper; balls for ball-point pens; typewriter ribbons; correcting tapes [office requisites]; paper ribbons, other than haberdashery or hair decorations; gummed tape [stationery]; paper tapes or cards for the recording of computer programs; barcode ribbons; bags [envelopes, pouches] of paper or plastics, for packaging; sealing wax; embroidery patterns; placards of paper or cardboard; fabrics for bookbinding; stationery; pencil sharpeners, electric or non-electric; transparencies [stationery]; stencils; stencils [stationery]; stencil plates; stencils for decorating food and beverages; mimeograph apparatus and machines; document holders (stationery); chalk holders; pencil holders; holders for checkbooks; holders for stamps [seals]; name badge holders [office requisites]; page holders; Indian inks; chart pointers, non-electronic; paint boxes [for use in school]; figurines of papier mâché; statuettes of papier mâché; paper coffee filters; filter paper; filtering materials of paper; molds for modeling clays [artists' materials]; photoengravings; photographs [printed]; cases for stamps [seals]; chromolithographs [chromos]; compasses for drawing; numbers [type]; artists' watercolor saucers; inks; inkwells; inking sheets for duplicators; inking sheets for document reproducing machines; inking pads; inkstands; ink sticks; inking ribbons; square rulers for drawing; stencil cases; erasing shields; cabinets for stationery [office requisites]; school supplies; blackboards; cords for bookbinding; type [numerals and letters]; stamps [seals]; sealing stamps; washi [Japanese paper].

18 – Leather and imitations of leather; Animal skins and hides; luggage and transport bags; umbrellas and parasols; walking sticks; whips, harness and saddlery; collars, leashes and clothing for animals; card cases [wallets]; suitcases [carrying cases]; trunks [luggage]; attaché cases; key cases; vanity cases, not fitted; purses; wallets; chain mesh purses; reusable shopping bags; bags [envelopes, pouches] of leather for packaging; haversacks; music cases; parasols; leather straps; shoulder belts [straps] of leather; beach bags; traveling trunks; briefcases [leatherware]; rucksacks [backpacks]; suitcase handles; umbrella handles; traveling bags; net bags for shopping; cases of leather or leatherboard; sports bags; bags for climbers; sling bag for carrying babies; handbags; pouch baby carriers; wheeled shopping bags; garment bags for travel;

travel sets [leatherware]; bags for campers; credit card cases [wallets]; umbrella covers; school bags.

20 – Furniture, mirrors, picture frames; Transport or storage containers not of metal; unworked or semi-worked bone, horn, whalebone or mother-of-pearl; moldings for picture frames; bamboo curtains; barrels, not of metal; library shelves; pulleys of plastics for blinds; bolts, not of metal; casks of wood for decanting wine; casks, not of metal; identification bracelets not of metal; kennels for household pets; mooring buoys, not of metal; yellow amber; ambroid plates; ambroid bars; sideboards; loading pallets not of metal; empty tool chests not of metal; work benches; vice benches [furniture]; signboards of wood or plastic materials; cabinet work; high chairs for children; display stands; trolleys [furniture]; window fittings, not of metal; showcases [furniture]; jewelry organizer displays; wind chimes (decoration); clothes hangers; bag hangers not of metal; hat stands; valet stands; coat stands; towel stands [furniture]; non-electric fans for personal use; oil drainage containers, not of metal; packaging containers of plastic materials; containers, not of metal, for liquid fuel; tanks, not of metal nor masonry; slatted indoor blinds; comb foundations for beehives; beehives; newspaper display stands; nuts, not of metal; wardrobes; hooks, not of metal, for clothes rails; curtain hooks; clothes hooks, not of metal; screws, not of metal; screw tops, not of metal, for bottles; door fittings not of metal; doors for furniture; wood ribbons; door bells, not of metal, non-electric; divans; chaises longues; fixed non-metallic dispensers for dog waste bags; towel dispensers, fixed, not of metal; bassinets; cots for babies; boards for hanging keys; ladders of wood or plastics; stair carpet rods; dowels, not of metal; screens for fireplaces [furniture]; shelving units; labels of plastic materials; troughs, not of metal, for mixing mortar; curtain tie-backs; plugs, not of metal; rivets, not of metal; sealing caps, not of metal; locks, not of metal, for vehicles; padlocks, other than electronic, not of metal; locks, other than electric, not of metal; bead curtains for decoration; indoor blinds [furniture]; Indoor blinds of paper; indoor blinds of woven wood; indoor blinds of textile materials; bottle closures, not of metal; window fasteners, not of metal; door bolts, not of metal; clips, not of metal, for cables and pipes; plastic clips for sealing bags; bumper guards for cots, other than bed linen; removable covers for sinks; removable mats for sinks; identity plates, not of metal; display boards; settees; jerrycans, not of metal; bedsteads of wood; curtain rails; curtain rods; plastic key cards, not encoded and not magnetic; index cabinets [furniture]; lecterns; mats for infant playpens; sleeping mats; animal claws; shoe pegs, not of metal; tent pegs not of metal; curtain rings; split rings, not of metal, for keys; water-pipe valves of plastic; drain traps [valves] of plastic; valves, not of metal, other than parts of machines; staves of wood; keys made of plastic materials; latches, not of metal; book rests; bookcases [furniture]; bottle caps

not of metal; saw horses; bed casters not of metal; furniture casters, not of metal; chopping blocks [tables]; chests of drawers; containers, not of metal [storage, transport]; desks; animal hooves; coral; corks; bottle stoppers; fodder racks; boxes of wood or plastic materials; nesting boxes; wooden reels for yarn, silk, cord; winding spools, not of metal, non-mechanical, for flexible hoses; reels, not of metal, non-mechanical, for flexible hoses; fishing baskets; baskets not of metal; hampers [baskets] for the transport of items; taps, not of metal, for casks; drafting tables; closures, not of metal, for containers; binding screws, not of metal, for cables; chairs [seats]; hairdressers' chairs; armchairs; edgings of plastic for furniture; picture frame brackets; brackets, not of metal, for furniture; benches [furniture]; Moses baskets; beds for household pets; air beds, not for medical use; beds; hospital beds; playpens for babies; mannequins; massage tables; imitation tortoiseshell; water beds other than for medical use; air mattresses not for medical use; camping mattresses; mattresses; reusable baby-changing mats; furniture partitions of wood; furniture shelves; furniture of metal; honeycombs; mobiles [decoration]; door knockers, not of metal; meerscham; shells; inflatable furniture; inflatable publicity objects; shoulder poles [yokes]; legs for furniture; house numbers, not of metal, non-luminous; number plates, not of metal; loading gauge rods, not of metal, for railway wagons; cask hoops, not of metal; decorations of plastic for foodstuffs; poles, not of metal; stuffed birds; stuffed animals; bed bases; office furniture; reeds [plaiting materials]; tortoiseshell; bakers' bread baskets; free-standing partitions [furniture]; dinner wagons [furniture]; saw benches [furniture]; writing desks; head-rests [furniture]; transport pallets, not of metal; handling pallets, not of metal; trays, not of metal; stakes, not of metal, for plants or trees; feet for furniture; trestles [furniture]; umbrella stands; cask stands, not of metal; flower-pot pedestals; flower-stands [furniture]; stands for calculating machines; floating containers, not of metal; picture rods [frames]; wickerwork; mirror tiles; busts of wood, wax, plaster or plastic; costume stands; pillows; cushions; pet cushions; head positioning pillows for babies; air cushions, not for medical use; air pillows, not for medical use; bolsters; head support cushions for babies; anti-roll cushions for babies; shelves for storage; shelves for file cabinets; bathtub grab bars, not of metal; silvered glass [mirrors]; bedding except linen; letter boxes, not of metal or masonry; counters [tables]; window openers, not of metal, non-electric; door openers, not of metal, non-electric; window closers, not of metal, non-electric; door closers, not of metal, non-electric; stoppers, not of glass, metal or rubber; embroidery frames; sections of wood for beehives; plastic ramps for use with vehicles; registration plates, not of metal; horn, unworked or semi-worked; stag antlers; animal horns; crucifixes of wood, wax, plaster or plastic materials, other than jewelry; window pulleys, not of

metal; curtain rollers; rattan; door handles, not of metal; knobs, not of metal; hand-held mirrors [toilet mirrors]; bins, not of metal; toy chests; corozo; dog kennels; straw plaits; straw mattresses; straw edgings; sofas; plaited straw, except matting; statuettes of wood, wax, plaster or plastic materials; statues of wood, wax, plaster or plastic materials; racks [furniture]; magazine racks; bottle racks; gun racks; plate racks; table tops; seats; bath seats for babies; shower chairs; seats of metal; step stools, not of metal; plugs [dowels], not of metal; scratching posts for cats; typing desks; standing desks; console tables [furniture]; tables of metal; wall-mounted baby-changing tables; portable desks; tables; carts for computers [furniture]; lap desks; tea carts; window stops, not of metal or rubber; door stops, not of metal or rubber; stepladders not of metal; oyster shells; mobile boarding stairs, not of metal, for passengers; placards of wood or plastics; stools; footstools; crates; works of art of wood, wax, plaster or plastic; curtain holders not of textile materials; coffins; dressing tables; bathroom vanities [furniture]; washstands [furniture]; funerary urns; figurines made of wood, wax, plaster or plastic; hand-held flagpoles, not of metal; bed fittings, not of metal; coffin fittings, not of metal; furniture fittings not of metal; bottle casings of wood; runners, not of metal, for sliding doors; infant walkers; collars, not of metal, for fastening pipes; vats not of metal; covers for clothing [wardrobe]; garment covers [storage]; hinges, not of metal; cupboards; filing cabinets; meat safes; medicine cabinets; luggage lockers; deck chairs; screens [furniture]; school furniture; birdhouses; sash fasteners, not of metal, for windows; door fasteners, not of metal; shoe dowels, not of metal; drawers for furniture; lockers [furniture]; brush mountings; non-metallic empty tool boxes; nesting boxes for household pets; chests not of metal.

28 – Games, toys; Video game apparatus; gymnastic and sporting articles; decorations for Christmas trees; arcade video game machines; video game machines; climbing harnesses; tennis ball throwing apparatus; men's athletic supporters [sports articles]; swimming pools [play articles]; trampolines; golf bag tags; rackets; billiard cues; billiard balls; billiard markers; billiard tables; coin-operated billiard tables; bodyboards; punching bags; boxing gloves; rattles [playthings]; building blocks [toys]; twirling batons; boomerangs; teddy bears; stationary exercise bicycles; creels [fishing traps]; video game consoles; hand-held consoles for playing video games; golf bag carts; shuttlecocks; fishing lines; gut for fishing; rods for fishing; dumbbells; gyroscopes and flight stabilizers for reduced model aircraft; swings; yoga swings; needles for pumps for inflating balls for games; jigsaw puzzles; exercisers [expanders]; darts; bite sensors [fishing tackle]; hang gliders; joysticks for video games; bells for Christmas trees; spinning tops [toys]; discuses for sports; slide [game]; dominoes; swimming kick boards; surfboards; sailboards; spring bo-

ards [sports articles]; chessboards; checkerboards; drones [toys]; electronic targets; chest expanders [exercisers]; poles for pole vaulting; counters [discs] for games; swimming jackets; ascenders [mountaineering equipment]; scent lures for hunting or fishing; protective films adapted for screens for portable games; protective paddings [parts of sports suits]; toy putty; fidget toys; toys for pets; stuffed toys; novelties for parties; novelty toys for playing jokes; toy imitation cosmetics; toy vehicles; toy models; toy pistols; toy air pistols; toy robots; remote-controlled toy vehicles; figurines [toys]; ring games; gaming machines for gambling; amusement machines, automatic and coin-operated; playhouses for children; playing cards; building games; balls for playing bowls; divot repair tools [golf accessories]; kaleidoscopes; bladders of balls for games; resin used by athletes; edges of skis; paper party hats; carnival masks; bingo cards; trading cards for games; skittles; skittles [games]; quoits; golf clubs; ice skates; roller skates; in-line roller skates; rocking horses; controllers for toys; controllers for game consoles; confetti; dice; kite reels; reels for fishing; chalk for billiard cues; ski bindings; party balloons; marbles for games; ammunition for paint pistols [sports accessories]; flippers for diving; flippers for swimmers; flying disks [toys]; skis; waterskis; surf skis; roller skis; surfboard leashes; bows for archery; dolls; dolls' clothes; dolls' houses; dolls' rooms; dolls' beds; mah-jong; puppets; masks [toys]; camouflage screens [sports articles]; scale model vehicles; matryochka dolls; ball-pitching machines; soap bubbles [toys]; hunting game calls; targets; toy mobiles; balls for games; board games; scale model kits [toys]; inflatable games for swimming pools; swimming pool air floats; artificial fishing bait; billiard table cushions; knee guards [sports articles]; billiard cue tips; elbow guards [sports articles]; play tents; backgammon games; water wings; pumps specially adapted for use with balls for games; table-top games; Christmas trees of synthetic materials; paddleboards; ski sticks; ski sticks for roller skis; paragliders; pachinko games; protective cups for sports; paintball guns [sports apparatus]; swimming webs; horseshoe games; sole coverings for skis; landing nets for anglers; Christmas tree stands; piñatas; percussion caps [toys]; caps for pistols [toys]; swimming belts; plush toys; security blankets [plush toys]; dolls' feeding bottles; kites; bite indicators [fishing tackle]; floats for fishing; portable games with liquid crystal displays; portable games and toys with integrated telecommunication functions; weight lifting belts [sports articles]; harness for sailboards; ornaments for Christmas trees, except illumination articles and confectionery; archery implements; decoys for hunting or fishing; apparatus for games; conjuring apparatus; fishing tackle; fish hooks; sling shots [sports articles]; baby gyms; rollers for stationary exercise bicycles; skateboards; baseball gloves; golf gloves; gloves [accessories for games]; roulette wheels; scooters [toys]; sledges [sports articles]; bobs-

leighs; skeleton sleds; candle holders for Christmas trees; nets for sports; butterfly nets; scratch cards for playing lottery games; slot machines [gaming machines]; artificial snow for Christmas trees; snow globes; snowshoes; snowboards; barbells; starting blocks for sports; clay pigeon traps; tables for table tennis; rhythmic gymnastics ribbons; strings for rackets; gut for rackets; golf bags, with or without wheels; cricket bags; clay pigeons [targets]; theatrical masks; tennis nets; waist trimmer exercise belts; toy modeling dough; tricycles for infants [toys]; body-building apparatus; body-training apparatus [physical exercise]; machines for physical exercises; batting gloves [accessories for games]; appliances for gymnastics; bowling apparatus and machinery; fairground rides; fencing gauntlets; party poppers [party novelties]; hockey sticks; checkers [games]; shin guards [sports articles]; fencing weapons; fencing masks; chips for gambling; foosball tables; Christmas crackers [party novelties]; cups for dice; bags especially designed for skis; bags especially designed for surfboards; chess games; seal skins [coverings for skis]; masts for sailboards.

(260) AM 2024 123040 A

(800) 794906

(151) 2002 05 16

(891) 2023 04 17

(731) DESEO S.R.L.

Via E. Nesti, 27, I-59100 PRATO (PO), Italy

(540)

## DESEO

(591) Black, white

(511)

29 – Preserved, dried and cooked fruit and vegetables, jellies, jams, edible oils, tomato juices (preserves), tinned meats, tinned fruits, tinned vegetables, tinned fish.

30 – Coffee, tea, cocoa, rice, flour and cereal preparations, bread, pastry and confectionery, ices, honey, vinegar, sauces (except salad dressings), spices; salad creams and dressings.

33 – Alcoholic beverages except beer, wines, liqueurs, alcoholic essences and extracts.

(260) AM 2024 123045 A

(800) 1066435

(151) 2011 01 24

(891) 2023 05 10

(731) Société des Produits Nestlé S.A.

CH-1800 Vevey, Switzerland

(540)



(591) Black, white

(531) 01.15.21

(511)

29 – Vegetables and potatoes (preserved, dried or cooked), fruits (preserved, dried or cooked), mushrooms (preserved, dried or cooked); meat, poultry, game, fish and seafood, all these goods in the form of extracts, soups, jellies, spreads, preserves, cooked, deep-frozen or dehydrated dishes; jams; eggs; preserved soya beans for human consumption; edible oils and fats; protein preparations for human consumption; sausages; charcuterie, peanut butter; soups, concentrated soups, preparations for making soups, soup, stock, also in the form of cubes, tablets or powder, concentrates of stock, preparations for making stock, stock soups.

30 – Flours, cereal preparations, bread, yeast, pastry; biscuits, cakes, cookies, wafers, caramels, puddings; rice, pasta, noodles; rice, flour or cereal-based foodstuffs, also in the form of cooked dishes; pizzas, sandwiches; oven-ready preparations of farinaceous paste and cake pastry; mixture in powder form for cakes; sauces, soya sauce; ketchup; products for flavoring or seasoning foodstuffs; edible spices, condiments, salad dressings, mayonnaise; mustard; vinegar.

(260) AM 2024 123046 A

(800) 1138578

(151) 2012 07 05

(891) 2023 04 25

(731) DSM IP Assets B.V.

Het Overloon 1, NL-6411 TE Heerlen,  
Netherlands

(540)

## TOLERASE

(591) Black, white

(511)

1 – Chemical and biochemical additives for use in the manufacture of food, beverages, pharmaceuticals and cosmetics; enzymes and enzyme preparations for use in the food, beverages, pharmaceutical and cosmetics industry; chemical and biochemical products for preserving of foodstuffs.

5 – Dietetic preparations or substances adapted for medical use; food supplements for medical use; dietetic beverages adapted for medical purposes; vitamins; vitamin preparations; natural medicines; dietary supplements and food supplements, not for medical use, included in this class, dietary supplements and food supplements, not for medical use, included in this class; tea-based food supplements as far as included in this class; proteins dietary supplements.

32 – Syrups for making beverages; preparations for making beverages, namely, for making fruit flavored beverages, flavored water, energy drinks, sports drinks, bottled water, fruit drinks, fruit juices, vege-

table juices, herbal juices, isotonic beverages, mineral and aerated waters, non-alcoholic beverages with tea flavor, smoothies (non-alcoholic beverages) and soft drinks.

(260) AM 2024 123110 A

(800) 1732239

(151) 2022 12 15

(891) 2022 12 15

(731) ERC DISTRIBUTION AG

Poststrasse 14, CH-6302 Zug, Switzerland

(540)

**ARDESTO**

(591) Red

(531) 15.09.11; 27.01.06; 27.03.01; 27.03.15;

27.05.08; 27.05.17; 29.01.01

(511)

7 – Machines, machine tools, power-operated tools; machine coupling and transmission components, other than for land vehicles; agricultural implements, other than hand-operated hand tools; 3D printers; automatic grapnels for marine purposes; air brushes for applying color; aerocondensers; glaziers' diamonds [parts of machines]; anti-friction bearings for machines; anti-friction pads for machines; apparatus for aerating water; apparatus for aerating beverages; elevator control devices; acetylene cleaning apparatus; apparatus for drawing up beer under pressure; machine drums; concrete mixers [machines]; pulleys; reels for machines; bobbins for weaving looms; harrows; flour mill machines; journal boxes [parts of machines]; bulldozers; hoppers for mechanical discharging; floating or non-floating drilling rigs; vacuum pumps [machines]; loom shafts; rolling mill cylinders; extractors for mines; ore extraction devices; loading ramps; fans for motors and engines; machine tools; die-cutting and tapping machines; threading machines; electric screwdrivers; exhaust manifolds for engines; exhausts for motors and engines; vibrators [machines] for industrial use; wringing machines for laundry; clack valves [parts of machines]; centrifugal mills; centrifugal pumps; electric whisks for household use; winnowers; water heaters being parts of machines; metal drawing machines; friezing machines; notchers [machine tools]; coal-cutting machines; suction machines for industrial use; suction nozzles for vacuum cleaners; carbon brushes [electricity]; vulcanization apparatus; knitting machines; lawnmowers [machines]; brake shoes other than for vehicles; brake pads other than for vehicles; brake linings other than for vehicles; brake segments other than for vehicles; emergency power generators; alternators; dynamos; bicycle dynamos; current generators; hydraulic engines and motors; hydraulic turbines; torque converters other than for land vehicles; mine borers; mineworking machines; mufflers for motors and engines; cylinder heads for engines; card clothing [parts of carding machines]; potters' wheels;

machines for sharpening; rakes for raking machines; engraving machines; stalk separators [machines]; mud catchers and collectors [machines]; tarring machines; rubber tracks being parts of crawlers on construction machines; rubber tracks being parts of crawlers on mining machines; rubber tracks being parts of crawlers on loading-unloading machines and apparatus; rubber tracks being parts of crawlers on agricultural machines; rubber tracks being parts of crawlers on snowplows; airplane engines; aeronautical engines; engines for boats; engines for air cushion vehicles; compressed air engines; motors and engines other than for land vehicles; de-aerators for feedwater; disintegrators; tympan [parts of printing presses]; woodworking machines; derricks; joysticks being parts of machines, other than for game machines; adhesive tape dispensers [machines]; dividing machines; mortizing machines; milking machines; chisels for machines; jacks [machines]; pneumatic jacks; self-propelled road sweeping machines; rood making machines; drainage machines; electric hand drills; electric kitchen grinders; typographic machines; typographic presses; printing plates; printing rollers for machines; printing presses; printing machines; printing cylinders; ejectors; fuel economizers for motors and engines; excavators; electrical apparatus for sealing plastics [packaging]; electric welding apparatus; electric hammers; electricity generators; electric motors other than for land vehicles; electrodes for welding machines; electric arc welding apparatus; electric arc cutting apparatus; electromechanical machines for the chemical industry; moving staircases [escalators]; labelers; flues for engine boilers; feeders [parts of machines]; feeding apparatus for engine boilers; reapers; reapers and binders; millstones; handling apparatus [for loading and unloading]; railroad constructing machines; igniting devices for internal combustion engines; chucks [parts of machines]; scale collectors for machine boilers; gas-operated soldering apparatus; gas-operated welding apparatus; electric welding machines; bending machines; raking machines; grain separators; reapers and threshers; joints [parts of engines]; shaft couplings [machines]; mixing machines; mixers; electric blenders for household use; machine wheelwork; couplings other than for land vehicles; stitching machines; injectors for engines; incubators for eggs; electric ski edge sharpening tools; control cables for machines, engines or motors; capstans; coffee grinders, other than hand operated; calendars [machines]; size adjustment cutting machines for industrial use; stone-working machines; ditchers [plows]; guards [parts of machines]; carburetors; carburetor feeders; sliders for knitting machines; crankcases for machines, motors and engines; catalytic converters; hydraulic controls for machines, motors and engines; pneumatic controls for machines, motors and engines; piston segments; valves [parts of machines]; electric glue guns; riveting machines; machine wheels; crank shafts; compressors [machines]; compressors for refri-

generators; conveyors [machines]; converters for steelworks; steam condensers [parts of machines]; condensing installations; diggers [machines]; rams [machines]; cranks [parts of machines]; boxes for matrices [printing]; gearboxes other than for land vehicles; housings (parts of machines); steam engine boilers; mechanical reels for flexible hoses; basket presses; cranes [lifting and hoisting apparatus]; taps [parts of machines, engines or motors]; hangers [parts of machines]; tilt hammers; ball rings for bearings; cultivators [machines]; electric food processors; electric kitchen machines; gas-operated blow torches; elevator chains [parts of machines]; chain saws; winches; blade sharpening [stropping] machines; blade holders [parts of machines]; foundry machines; molds [parts of machines]; elevators (lifts); mechanical shovels; blades [parts of machines]; igniting magnetos; automatic handling machines [manipulators]; churns; butter machines; grease rings [parts of machines]; grease boxes [parts of machines]; lubricating pumps; lubricators [parts of machines]; matrices for use in printing; machine fly-wheels; coating machines; white-washing machines; sausage making machines; cord making machines; lace making machines; stereotype machines; bitumen making machines; pasta making machines; apparatus for the mineralization of drinking water; sugar making machines; electroplating machines; swaging machines; electromechanical food preparation machines; electromechanical apparatus for beverage preparation; printing machines for use on sheet metal; dyeing machines; bottle capping machines; bottle stoppering machines; sealing machines for industrial use; bottle sealing machines; bicycle assembling machines; harvesting machines; earth-moving machines; leather paring machines; finishing machines; grain husking machines; bottle washing machines; type-setting machines [printing]; filling machines; racket stringing machines; leather-working machines; machines for transformation of plastic materials; ore treating machines; glass-working machines; tobacco processing machines; peeling machines; papermaking machines; dairy machines; oil refining machines; brewing machines; hemming machines; crushing machines; grinding machines; shearing machines for animals; machines for the textile industry; embossing machines; waste compacting machines; electric machines and apparatus for carpet shampooing; electric machines and apparatus for polishing; electric machines and apparatus for wax-polishing; electric machines and apparatus for cleaning; pump diaphragms; metalworking machines; control devices for machines, engines or motors; mechanized livestock feeders; power hammers; high-pressure washers; washing installations for vehicles; washing apparatus; fleshing machines; bellows [parts of machines]; forge blowers; agitators; mills [machines]; pepper mills other than hand-operated; mills for household use other than hand-operated; threshing machines; hammers [parts of machines]; cream/milk separators; motor and engine

mounts other than for land vehicles; roller bridges; motorized cultivators; motors for boats; freewheels other than for land vehicles; clutches other than for land vehicles; meat choppers [machines]; pressure valves [parts of machines]; superchargers; mechanical reeling apparatus; guides for machines; vacuum cleaner attachments for disseminating perfumes and disinfectants; pumps [machines]; pumps [parts of machines, engines or motors]; aerating pumps for aquariums; pumps for heating installations; beer pumps; electric shears; electric scissors; knives for mowing machines; chaff cutter blades; electric knives; electric can openers; kick starters for motorcycles; wrapping machines; rotary printing presses; fittings for engine boilers; braiding machines; axles for machines; dust removing installations for cleaning purposes; dust exhausting installations for cleaning purposes; fuel-dispensing pumps for service stations; portable rotary steam presses for fabrics; steamrollers; steam engines; steam/oil separators; superheaters; steam traps; fan belts for motors and engines; dynamo belts; belts for motors and engines; elevator belts; adhesive bands for pulleys; gas-operated soldering irons; electric soldering irons; electric soldering apparatus; gas-operated soldering blow pipes; soldering lamps; pedal drives for sewing machines; gears other than for land vehicles; fuel conversion apparatus for internal combustion engines; saws [machines]; saw blades [parts of machines]; vacuum cleaners; saw benches [parts of machines]; lifting apparatus; hoists; railway wagon lifts; elevating apparatus; lifts, other than ski-lifts; bearings [parts of machines]; bearings for transmission shafts; ball-bearings; roller bearings; bearing brackets for machines; guns [tools using explosive cartridges]; spray guns for paint; plows; turf removing plows; plowshares; compressed air machines; pneumatic hammers; compressed air pumps; compressed air guns for the extrusion of mastics; pneumatic transporters; pneumatic tube conveyors; air suction machines; blowing machines; blowing machines for the compression, sucking and carrying of grain; blowing machines for the compression, exhaustion and transport of gases; air condensers; air pumps [garage installations]; paper feeders [printing]; electric crushers for kitchen use; garbage crushers [waste] [machines]; weeding machines; pistons [parts of machines or engines]; shock absorber plungers [parts of machines]; pistons for engines; pistons for cylinders; dishwashers; trimming machines; laundry washing machines; coin-operated washing machines; ironing machines; smoothing presses; presses [machines for industrial use]; wine presses; fodder presses; electric fruit presses for household use; hydraulic devices for opening windows; electric devices for opening windows; pneumatic devices for opening windows; hydraulic devices for opening doors; electric devices for opening doors; pneumatic devices for opening doors; binding apparatus for hay; hydraulic devices for closing windows; electric devices for closing windows; pneu-



matic devices for closing windows; hydraulic devices for closing doors; electric door closers; pneumatic devices for closing doors; degreasers [machines]; anti-pollution devices for motors and engines; air cushion devices for moving loads; electric shoe polishers; electric parquet wax-polishers; cleaning appliances utilizing steam; electrically-operated curtain-drawing devices; bookbinding apparatus and machines for industrial use; punching machines; punches for punching machines; rolling mills; rinsing machines; sifting installations; sifting machines; springs [parts of machines]; spinning frames; spinning machines; spinning wheels; puddling machines; pulverizers [machines]; sewage pulverizers; tambours for embroidery machines; cooling radiators for motors and engines; jet engines other than for land vehicles; regulators [parts of machines]; speed governors for machines, engines and motors; pressure regulators [parts of machines]; reduction gears other than for land vehicles; pressure reducers [parts of machines]; rack and pinion jacks; rail-laying machines; gears for weaving looms; gas-operated cutting blow pipes; cutters [machines]; tools [parts of machines]; cutting machines; knives being parts of machines; robots [machines]; filling machines; camshafts for vehicle engines; vending machines; expansion tanks [parts of machines]; moving walkways; hand-held tools, other than hand-operated; propulsion mechanisms other than for land vehicles; stuffing boxes [parts of machines]; self-oiling bearings; self-regulating fuel pumps; satinizing machines; drilling machines; drilling heads [parts of machines]; drill chucks [parts of machines]; sparking plugs for internal combustion engines; glow plugs for Diesel engines; water separators; cigarette machines for industrial use; sieves [machines or parts of machines]; cinder sifters [machines]; sowers [machines]; agricultural implements other than hand-operated; agricultural elevators; agricultural machines; tedding machines; net hauling machines [fishing]; straw [chaff] cutters; pigs for cleaning pipes; snow plows; sheaf-binding machines; electric juice extractors; sorting machines for industry; suction cups for milking machines; stands for machines; starters for motors and engines; stators [parts of machines]; stands for machines; clippers [machines]; belts for conveyors; belt conveyors; planing machines; slide rests [parts of machines]; heat exchangers [parts of machines]; thermic lances [machines]; grating machines for vegetables; beating machines; electric beaters; kneading machines; looms [machines]; hosiery looms; lathes [machine tools]; vacuum cleaner bags; grindstones [parts of machines]; sharpening wheels [parts of machines]; rammers [machines]; transmissions for machines; transmission shafts other than for land vehicles; transmission chains other than for land vehicles; holding devices for machine tools; boiler tubes [parts of machines]; wind turbines; turbines other than for land vehicles; turbocompressors; driving motors other than for land vehicles; driving chains other than for land vehicles;

universal joints [Cardan joints]; packaging machines; painting machines; aprons [parts of machines]; filters as parts of machines, motors or engines; filters for cleaning cooling air, for motors and engines; filters-cartridges for filtering machines; filter presses; filtering machines; molding machines; type-setting machines [photocomposition]; milling machines; bread cutting machines; journals (parts of machines); electric nail extractors; central vacuum cleaning installations; centrifugal machines; spin dryers [not heated]; cylinders for motors and engines; cylinders for machines; galvanizing machines; carding machines; shuttles [parts of machines]; inking apparatus for printing machines; connecting rods for machines, motors or engines; sewing machines; lasts for shoes [parts of machines]; pulleys [parts of machines]; vacuum cleaner hoses; trueing machines; shredders [machines] for industrial use; typecasting machines; die-stamping machines; stamping machines; darning machines; brushes [parts of machines]; dynamo brushes; brushes for vacuum cleaners; electrically operated brushes [parts of machines].

8 – Hand-operated hand tools and instruments; abrading instruments [hand instruments]; glaziers' diamonds [parts of hand tools]; hand-operated apparatus for destroying plant parasites; bayonets; electric or non-electric razors; razor strops; borers; pick hammers; levers; fulling tools [hand tools]; table forks; non-electric screwdrivers; forks for agricultural use [hand tools]; tap wrenches; lawn clippers [hand instruments]; wrenches [hand tools]; harpoons; harpoons for fishing; tattoo needles; scythe stones; stropping instruments; sharpening stones; leather strops; edge tools [hand tools]; pincers; goffering irons; crimping irons; rakes [hand tools]; sand trap rakes; engraving needles; cutter bars [hand tools]; handles for hand-operated hand tools; children's table spoons, knives and forks; punch pliers [hand tools]; chisels; sculptors' chisels; mortise chisels; hand-operated jacks; extension pieces for braces for screw taps; sharpening instruments; spades; clamps for carpenters or coopers; side arms, other than firearms; rabbeting planes; bits [hand tools]; electric or non-electric depilation apparatus; implements for decanting liquids [hand tools]; hand implements for hair curling; priming irons [hand tools]; gouges; numbering punches; oyster openers; hand-operated ski edge sharpening tools; ear-piercing apparatus; livestock marking tools; molding irons; stone hammers; embossers [hand tools]; punch rings [knuckle dusters]; instruments for punching tickets; ceramic knives; center punches [hand tools]; truncheons; daggers; picks [hand tools]; pickaxes; mallets [hand instruments]; annular screw plates; scythe rings; scythe handles; riveters [hand tools]; riveting hammers [hand tools]; blades [weapons]; pliers; wire strippers [hand tools]; breast drills; fireplace bellows [hand tools]; caulking irons; diggers [hand tools]; lasts [shoemakers' hand tools]; rams [hand tools]; scythes; hainault scythes; squares [hand tools]; fire

irons; electric or non-electric nail clippers; blades [hand tools]; razor blades; blades for planes; shear blades; blade sharpening instruments; vices; bench vices [hand apparatus]; foundry ladles (hand tools); electric or non-electric fingernail polishers; spoons; crow bars; shovels [hand tools]; trowels [gardening]; spatulas for use by artists; ice picks; manicure sets; electric manicure sets; palette knives; machetes; hair dippers for personal use, electric and non-electric; swords; taps [hand tools]; sledgehammers; hammers [hand tools]; masons' hammers; mattocks [hand tools]; ditchers [hand tools]; trowels; fleshing knives [hand tools]; pedicure sets; needle files; emery grinding wheels; emery files; emery boards; files; dies [hand tools]; hand pumps; metal wire stretchers [hand tools]; metal band stretchers [hand tools]; shaving cases; cattle shearers; wick trimmers [scissors]; shears; shearers [hand instruments]; pruning shears; tree pruners; border shears; scissors; non-electric can openers; farriers' knives; scaling knives; non-electric pizza cutters; grafting tools; paring knives; hunting knives; cleavers; bill-hooks; penknives; knives; cutlery; nail drawers [hand tools]; hand-operated vegetable shredders; vegetable choppers; budding knives; reamer sockets; perforating tools [hand tools]; saws [hand tools]; jig-saws; bow saws; nail files; electric nail files; tweezers; hair-removing tweezers; guns [hand tools]; non-electric caulking guns; guns, for the extrusion of mastics; sword scabbards; table knives, forks and spoons of plastic materials; fruit pickers; paring irons [hand tools]; hand-operated air pumps; weeding forks [hand tools]; polishing irons; saw blades [parts of tools]; tool belts [holders]; flat irons; irons [non-electric hand tools]; money scoops; fish tapes [hand tools]; apparatus for tattooing; punches [hand tools]; nail punches; pin punches; thistle extractors; frames for handsaws; rasps [hand tools]; cutting tools; tube cutting instruments; bits [parts of hand tools]; graving tools; cutters; syringes for spraying insecticides; reamers; insecticide sprayers [hand tools]; expanders [hand tools]; planes; plane irons; knife handles; saw holders; hand-operated hand drills; fullers [hand tools]; hand-operated hand tools; beard clippers; hair clippers for animals [hand instruments]; hand-operated garden tools; pruning knives; hoes [hand tools]; augers [tools]; hollowing bits (parts of hand tools); gimlets [hand tools]; drill holders [tools]; pruning scissors; sickles; choppers being knives; kitchen mandolines; hand-operated agricultural implements; non-electric cheese slicers; scrapers for skis; scraping tools; axes; holing axes; hatchets; hoop cutters; silver plate [knives, forks and spoons]; table cutlery [cutlery, forks and spoons]; drawing knives; mortars for pounding [hand tools]; miter boxes; branding irons; adzes [tools]; carpenters' augers; braiders [hand tools]; sharpening steels; grindstones [hand tools]; rammers [hand tools]; earth rammers [hand tools]; whetstone holders; ratchets [hand tools]; tube cutters [hand tools]; razor cases; hobby knives [scalpels];

hand-operated nail extractors; ladles [hand tools]; hawks [hand tools]; sabers; milling cutters [hand tools]; marline spikes; awls; instruments and tools for skinning animals; spatulas [hand tools]; stamping-out tools; curling tongs; cuticle tweezers; nail nippers; eyelash curlers; non-electric egg slicers.

9 – Scientific, research, navigation, surveying, photographic, cinematographic, audiovisual, optical, weighing, measuring, signalling, detecting, testing, inspecting, life-saving and teaching apparatus and instruments; apparatus and instruments for conducting, switching, transforming, accumulating, regulating or controlling the distribution or use of electricity; apparatus and instruments for recording, transmitting, reproducing or processing sound, images or data; recorded and downloadable media, computer software, blank digital or analogue recording and storage media; cash registers, calculating devices; computers and computer peripheral devices; 3D spectacles; telephone answering machines; ticket dispensers; breakers (circuit breakers); automated teller machines [ATM]; steering devices, automatic, for vehicles; automatic indicators of low pressure in vehicle tires; aerometers; asbestos clothing for protection against fire; asbestos gloves for protection against accidents; asbestos screens for firemen; accelerometers; actinometers; batteries for electronic cigarettes; electric accumulators; acoustic couplers; alidades; altimeters; ammeters; anemometers; anodes; anode batteries; antennas; anti-glare glasses; anti-glare screens; anticathodes; remote control apparatus; data processing apparatus; apparatus to check franking; electric devices for remote ignition; apparatus and installations for the production of X-rays, not for medical use; Global Positioning System [GPS] apparatus; testing apparatus not for medical use; apertometers [optics]; acid hydrometers; acidimeters for batteries; apparatus and instruments for astronomy; receivers [audio, video]; audiovisual teaching apparatus; audio interfaces; luminous beacons; balancing devices; lighting ballasts; accumulator jars; barometers; ignition batteries; electric batteries; electric accumulators for vehicles; cordless telephones; balances [steelyards]; betatrons; binoculars; biochips; computer memory devices; black boxes [data recorders]; fire hose nozzles; connected bracelets [measuring instruments]; scales; baby scales; scales with body mass analyzers; bathroom scales; weighbridges; plumb bobs; vacuum gauges; vacuum tubes [radio]; variometers; shoes for protection against accidents, irradiation and fire; measuring instruments; gauges; measuring apparatus; electric measuring apparatus; measures; current rectifiers; high-frequency apparatus; flow meters; branch boxes [electricity]; video screens; camcorders; video cassettes; video devices for monitoring babies; video telephones; photographic viewfinders; sighting telescopes for firearms; viscosimeters; wind socks for indicating wind direction; leveling staffs [surveying instruments]; peepholes [magnifying lenses] for doors; marking buoys; fire

extinguishers; diving suits; diving masks; fiber-optic cables; voltmeters; ear plugs for divers; gas testing apparatus; gasometers [measuring instruments]; electric discharge tubes other than for lighting; galena crystals [detectors]; galvanic batteries; galvanic cells; galvanometers; hands-free kits for telephones; virtual reality headsets; heliographic apparatus; surveying instruments and devices; surveying chains; weights; hygrometers; hydrometers; needles for surveying compasses; needles for record players; holograms; graduated glassware; sounding leads; loudspeakers; range finders (telemeters); decompression chambers; densimeters; densitometers; detectors; smoke detectors; counterfeit coin detectors; bells [warning apparatus]; mirrors [optics]; mirrors for inspecting work; dictating machines; dynamometers; floppy disks; magnetic disks; disk drives [for computers]; juke boxes for computers; telerupters; distillation apparatus for scientific use; diffraction apparatus [microscopy]; breathing apparatus for underwater swimming; breathing apparatus, except for artificial respiration; diagnostic apparatus, not for medical use; transparencies [photography]; slide projectors; diaphragms [acoustics]; diaphragms [photography]; diaphragms for scientific apparatus; DNA chips; adding machines; dosage dispensers; dosimeters; luminous or mechanical road signs; road traffic cones; fuse wires; choking coils [impedance]; equalizers [audio apparatus]; screens [photography]; exposure meters [light meters]; electrified fences; electrified rails for mounting spot lights; electric installations for the remote control of industrial operations; electrical adapters; electric door bells; electricity conduits; electro-dynamic apparatus for the remote control of railway points; electro-dynamic apparatus for the remote control of signals; electromagnetic coils; electronic key fobs being remote control apparatus; downloadable electronic publications; electronic interactive whiteboards; electronic pocket translators; electronic collars to train animals; downloadable electronic sheet music; electronic pens [visual display units]; electronic notice boards; electronic access-control systems for interlocking doors; electric and electronic effect devices for musical instruments; electronic tags for goods; epidiascopes; ergometers; magnetic identification bracelets; electric locks; electronic agendas; voltage surge protectors; fuses; battery chargers; chargers for electric accumulators; chargers for electronic cigarettes; charging stations for electric vehicles; protection devices for personal use against accidents; protection devices against X-rays, not for medical use; protective suits for aviators; protective masks, not for medical use; goggles for sports; protective films adapted for computer screens; protective films adapted for smartphones; head guards for sports; mouth guards for sports; protective helmets; protective helmets for sports; acoustic [sound] alarms; sound reproduction apparatus; sound recording carriers; sound recording apparatus; phonograph records; sound recording strips; sound transmission apparatus; acous-

tic conduits; connectors [electricity]; couplers [data processing equipment]; connections for electric lines; electric couplings; wire connectors [electricity]; mechanical signs; luminous signs; probes for scientific use; sounding apparatus and machines; buzzers; readers [data processing equipment]; bar code readers; magnetic identity cards; inverters [electricity]; slope indicators; inclinometers; clinometers; pressure indicators; incubators for bacteria culture; instruments containing eyepieces; integrated circuits; interactive touch-screen terminals; interfaces [for computers]; infrared detectors; ionization apparatus not for the treatment of air or water; spark-guards; starter cables for motors; electric cables; calipers; calibrating rings; calorimeters; pocket calculators; teeth protectors; capillary tubes for laboratory use; memory cards for video game machines; integrated circuit cards [smart cards]; encoded key cards; carriers for dark plates [photography]; video game cartridges; cash registers; cathodes; cathodic anti-corrosion devices; mouse pads; exposed cinematographic films; cinematographic cameras; terminals [electricity]; push buttons for bells; coaxial cables; encoded magnetic cards; electric collectors; dog whistles; compact disks [audio-video]; optical compact disks; comparators; directional compasses; marine compasses; computers; computer hardware; downloadable game software; software [recorded programs]; joysticks for use with computers, other than for video games; computer keyboards; computer peripheral devices; computer printers; magnetic tape units [for computers]; downloadable computer programs; recorded computer programs; recorded computer operating programs; commutators; electric apparatus for commutation; electrical condensers [capacitors]; electric contacts; contact lenses; containers for contact lenses; boiler control instruments; correcting lenses [optics]; junction boxes [electricity]; cabinets for loudspeakers; accumulator boxes; squares for measuring; cosmographic instruments; clothing for protection against fire; clothing for protection against fire; spools [photography]; electric coils; inductors [electricity]; laboratory pipettes; pedometers; circular slide rules; bullet-proof clothing; bullet-proof vests; azimuth instruments; laboratory trays; logs [measuring instruments]; lasers not for medical use; lactodensimeters; lactometers; darkroom lamps [photography]; flash-bulbs [photography]; spectacle chains; laptop computers; spectacle lenses; rulers [measuring instruments]; carpenters' rules; optical lanterns; optical lamps; counters; revolution counters; distance recording apparatus; mileage recorders for vehicles/kilometer recorders for vehicles; slide-rules; sounding lines; magnifying glasses [optics]; magnets; decorative magnets; magnetic encoders; magnetic data media; magnetic wires; magnetic tapes; videotapes; crash test dummies; pressure gauges; solderers' helmets; mathematical instruments; materials for electricity mains [wires, cables]; weighing machines; money counting and sorting machines; material testing instruments and

machines; furniture especially made for laboratories; megaphones; portable media players; metal detectors for industrial or military use; meteorological instruments; meteorological balloons; rules [measuring instruments]; dressmakers' measures; metronomes; mechanisms for counter-operated apparatus; mechanisms for coin-operated apparatus; coin-operated mechanisms for television sets; mouse [computer peripheral]; insulated copper wire; micrometers; micrometer screws for optical instruments; microprocessors; microscopes; microtomes; microphones; audio mixers; measuring spoons; mobile telephones; portable telephones; modems; monitors [computer hardware]; monitors [computer programs]; devices for editing cinematographic films; nautical apparatus and instruments; marine depth finders; naval signaling apparatus; coin-operated musical automata [juke boxes]; animated cartoons; junction sleeves for electric cables; navigational instruments; navigation apparatus for vehicles [on-board computers]; teaching apparatus; headphones; knee-pads for workers; covers for electric outlets; semiconductors; neon signs; identification threads for electric wires; thread counters; surveyors' levels; leveling instruments; verniers; nose clips for divers and swimmers; notebook computers; objectives [lenses] [optics]; lenses for astrophotography; close-up lenses; limiters [electricity]; sheaths for electric cables; identification sheaths for electric wires; egg-candlers; clothing for protection against accidents, irradiation and fire; special clothing for laboratories; ozonizers [ozonators]; octants; spectacles [optics]; sunglasses; eyepieces; ohmmeters; eyeglass frames; optical glass; eyewear; optical fibers [light conducting filaments]; optical disks; optical readers; optical condensers; optical lenses; optical data media; optical apparatus and instruments; sights for artillery guns; oscillographs; cleaning apparatus for sound recording discs; selfie sticks [hand-held monopods]; parking meters; safety restraints other than for vehicle seats or sports equipment; pince-nez; stills for laboratory experiments; intercommunication apparatus; speaking tubes; transmitters of electronic signals; oxygen trans-vasing apparatus; switchboxes [electricity]; switchboards; electric switches; automatic time switches; electric converters; periscopes; personal stereos; punched card machines for offices; furnaces for laboratory use; amplifying lamps; amplifiers; wrist rests for use with computers; pyrometers; planimeters; plane tables [surveying instruments]; tablet computers; plates for batteries; boards for integrated circuits; printed circuit boards; DVD players; cassette players; compact disc players; exposed films; X-Y plotters; fire escapes; fire engines; fire pumps; fire blankets; fire beaters; fire alarms; fire boats; fire hoses; electric loss indicators; quantity indicators; petrol gauges; gasoline gauges; water level indicators; sprinkler systems for fire protection; polarimeters; vehicle breakdown warning triangles; letter scales; precision balances; prisms [optics]; downloadable computer software applications;

air analysis apparatus; food analysis apparatus; distance measuring apparatus; appliances for measuring the thickness of leather; apparatus for measuring the thickness of skins; speed checking apparatus for vehicles; time recording apparatus; weighing apparatus and instruments; particle accelerators; hemline markers; railway traffic safety appliances; speed measuring apparatus [photography]; invoicing machines; video recorders; fire-extinguishing apparatus; tape recorders; apparatus for changing record player needles; film cutting apparatus; electronic book readers; test tubes; flashing lights [light signals]; electric conductors; electric wires; ducts [electricity]; record players; projection apparatus; projection screens; washing trays [photography]; anti-interference devices [electricity]; electric installations for theft prevention; anti-theft warning apparatus; processors [central processing units]; rods for water diviners; plumb lines; control panels [electricity]; radar apparatus; radiological apparatus for industrial use; radiology screens for industrial use; baby monitors (audio and video devices for monitoring babies); radio pagers; transmitting sets [telecommunication]; radios; vehicle radios; walkie-talkies; radiotelegraphy sets; radiotelephony sets; masts for wireless aerials; frames for photographic transparencies; screens for photoengraving; abacuses; calculating machines; voting machines; resuscitation mannequins [teaching apparatus]; electric regulating apparatus; voltage regulators for vehicles; electric light regulators [dimmers]; stage lighting regulators; speed regulators for record players; cell switches [electricity]; electric resistances; marking gauges [joinery]; T-squares for measuring; electric relays; cell phone straps; X-ray apparatus not for medical use; exposed x-ray films; X-ray tubes not for medical use; X-ray photographs, other than for medical use; rheostats; respirators for filtering air; respiratory masks other than for artificial respiration; retorts; refractometers; refractors; grids for batteries; downloadable ringtones for mobile telephones; levels [instruments for determining the horizontal]; screw-tapping gauges; humanoid robots with artificial intelligence for scientific research purposes; electric plugs; demagnetizing apparatus for magnetic tapes; distribution boxes [electricity]; distribution consoles [electricity]; distribution boards [electricity]; lightning conductors; slide calipers; mercury levels; circuit closers; diving gloves; gloves for protection against X-rays for industrial use; gloves for protection against accidents; horns for loudspeakers; life-saving apparatus and equipment; safety tarpaulins; life buoys; life jackets; life-saving capsules for natural disasters; life-saving rafts; life belts; subwoofers; whistle alarms; reflective articles for wear for the prevention of accidents; reflective safety vests; photographic lens hoods; blueprint apparatus; light-emitting diodes [LED]; light-emitting electronic pointers; traffic-light apparatus [signaling devices]; sextants; non-explosive fog signals; luminous or mechanical signals; signaling buoys; signal bells; el-

electric alarm bells; signal lanterns; signaling panels, luminous or mechanical; alarms; signaling whistles; simulators for the steering or control of vehicles; sirens; safety nets; nets for protection against accidents; scanners [explorers] [data processing equipment]; smart watches; smart rings; smart glasses; smartphones; salinometers; solenoid valves [electromagnetic switches]; sonars; solar batteries; solar panels for electricity production; spectrograph apparatus; spectroscopes; spirit levels; alcohol meters; speed indicators; monitoring apparatus other than for medical use; observation instruments; shutter releases [photography]; stereoscopes; stereoscopic apparatus; head cleaning tapes; stroboscopes; sulfimeters; bags adapted for laptops; satellites for scientific use; satellite navigation apparatus; drying apparatus for photographic prints; drying racks [photography]; spherometers; printed circuits; time clocks [time recording devices]; egg timers [sandglasses]; taximeters; tachometers; television apparatus; telegraphs [apparatus]; telegraph wires; telescopes; teleprompters; teleprinters; telephone apparatus; telephone transmitters; telephone wires; telephone receivers; temperature indicators; labels indicating temperature, other than for medical purposes; theodolites; thermal imaging cameras; heat regulating apparatus; thermo-hygrometers; thermionic tubes; thermionic valves; thermometers, not for medical use; thermostats; thermostats for vehicles; crucibles [laboratory]; pressure measuring apparatus; pressure indicator plugs for valves; security tokens [encryption devices]; tone arms for record players; empty toner cartridges for printers and photocopiers; totalizers; precision measuring apparatus; transistors [electronic]; transmitters [telecommunication]; transponders; protractors [measuring instruments]; transformers [electricity]; step-up transformers; holders for electric coils; tripods for cameras; triodes; Pitot tubes; urinometers; downloadable image files; downloadable music files; facsimile machines; apparatus and instruments for physics; filters for photography; filters for respiratory masks; filters for ultraviolet rays for photography; wearable activity trackers; USB flash drives; fluorescent screens; cameras [photography]; glazing apparatus for photographic prints; drainers for use in photography; photovoltaic cells; shutters [photography]; enlarging apparatus [photography]; photocopiers; darkrooms [photography]; photometers; flashlights [photography]; phototelegraphy apparatus; spectacle cases; cases for smartphones; containers for microscope slides; cases especially made for photographic apparatus and instruments; wavemeters; chemistry apparatus and instruments; chromatography apparatus for laboratory use; chronographs [time recording apparatus]; laboratory centrifuges; centering apparatus for photographic transparencies; cyclotrons; graduated compasses; digital weather stations; digital signs; digital photo frames; saccharometers; magic lanterns; frequency meters; Petri dishes; chips [integrated circuits]; square rulers for measuring; sleeves for laptops; covers for

personal digital assistants [PDAs]; covers for tablet computers; hard covers for smartphones; jigs [measuring instruments]; spectacle cords; riding helmets; retorts' stands; stands for photographic apparatus; sound locating instruments; workmen's protective face-shields; armatures [electricity].

11 – Apparatus and installations for lighting, heating, cooling, steam generating, cooking, drying, ventilating, water supply and sanitary purposes; lamp shades; electric autoclaves for cooking; electric pressure cookers; aquarium lights; aquarium heaters; aquarium filtration apparatus; steam accumulators; heat accumulators; anti-glare devices for vehicles [lamp fittings]; defrosters for vehicles; hot air apparatus; air deodorizing apparatus; loading apparatus for furnaces; apparatus for dehydrating food waste; ionization apparatus for the treatment of air or water; beverage-cooling apparatus; air cooling devices; gas scrubbing apparatus; oil-scrubbing apparatus; desiccating apparatus; tanning beds; coffee roasters; drying apparatus for fodder and forage; hand-drying apparatus for washrooms; water filtering apparatus; steam facial apparatus [saunas]; air purification apparatus and machines; water softening apparatus and installations; lighting apparatus and installations; hydromassage bath apparatus; acetylene generators; acetylene flares; acetylene burners; germicidal lamps for purifying air; barbecues; oil burners; bidets; laundry room boilers; washing coppers; bathtubs; spa baths; electric waffle irons; bicycle lights; fans [air-conditioning]; fans [parts of air-conditioning installations]; electric fans for personal use; ventilation [air-conditioning] installations for vehicles; ventilation [air-conditioning] installations and apparatus; safety lamps; kilns; evaporators; extractor hoods for kitchens; ventilation hoods; ventilation hoods for laboratories; fabric steamers; pressurized water tanks; whirlpool-jet apparatus; water conduits installations; water intake apparatus; water heaters; water purification installations; water purifying apparatus and machines; water supply installations; water flushing installations; flushing tanks; carbon for arc lamps; gas condensers other than parts of machines; gas boilers; gas burners; gas lamps; gas scrubbers [parts of gas installations]; electric discharge tubes for lighting; hydrants; fairy lights for festive decoration; hearths; rotisseries; hot water bottles; warming pans; foot warmers, electric or non-electric; bed warmers; disinfectant apparatus; disinfectant apparatus for medical use; deodorizing apparatus not for personal use; ornamental fountains; chimney flues; disinfectant apparatus for dispensing solutions into water pipes for sanitary installations; stills; distillation apparatus; distillation columns; arc lamps; showers; shower cubicles; electric appliances for making yogurt; electric lamps; electrically heated carpets; grills [cooking appliances]; malt roasters; roasters; roasting spits; flues for heating boilers; feeding apparatus for heating boilers; immersion heaters; gas lighters; safety accessories for water or gas apparatus and pipes; chimney

blowers; humidifiers for central heating radiators; coils [parts of distilling, heating or cooling installations]; furnace ash boxes; drip irrigation emitters [irrigation fittings]; electric coffee machines; heating apparatus; lava rocks for use in barbecue grills; domestic fireplaces; hot air ovens; oxyhydrogen burners; Chinese lanterns; pocket warmers; level controlling valves in tanks; air valves for steam heating installations; electric blankets, not for medical use; furnace grates; air-conditioning apparatus; air conditioners for vehicles; taps for pipes and pipelines; taps; mixer taps for water pipes; radiator caps; portable forges; electric cooking utensils; cooking apparatus and installations; cooking rings; kitchen ranges [ovens]; cookers (cooking stoves); laboratory lamps; laboratory burners; lamps for lighting; curling lamps; light bulbs for directional signals for vehicles; lamp glasses; lamp chimneys; electric lights for Christmas trees; street lamps; standard lamps; lights for automobiles; lanterns for lighting; lights for vehicles; electric flashlights; luminous tubes for lighting; chandeliers; magnesium filaments for lighting; oil lamps; ice-cube machines and apparatus; microwave ovens [cooking apparatus]; microwave ovens for industrial use; freezers; motorcycle lights; multi-cookers; foot muffs, electrically heated; heating apparatus for defrosting windows of vehicles; heating elements; hot plates; heaters for baths; heaters for heating irons; electric heaters for feeding bottles; air reheaters; brackets for gas burners; electric heating filaments; filaments for electric lamps; roasting jacks; heating plates; stoves [heating apparatus]; fumigation apparatus not for medical use; bath fittings; hot air bath fittings; hot water heating installations; heating installations; heaters for vehicles; electric heating apparatus; heating apparatus for solid, liquid or gaseous fuels; heating boilers; kiln furniture [supports]; lighting installations for air vehicles; light-emitting diode [LED] lighting apparatus; dehumidifiers; coolers for furnaces; electric cool boxes; purification installations for sewage; burners; germicidal burners; burners for lamps; electric food steamers; boilers other than parts of machines; steam boilers, other than parts of machines; pasteurizers; sockets for electric lamps; portable Turkish bath cabinets; electric coffee percolators; dental ovens; ovens, other than for laboratory use; diving lights; plate warmers; urinals; lamp globes; electric heating cushions, not for medical use; automatic watering installations; watering machines for agricultural purposes; polymerization installations; electric tortilla presses; heated display cabinets; electric chocolate fountains; book sterilization apparatus; glue-heating appliances; searchlights; washers for water taps; anti-splash tap nozzles; radiators [heating]; electric radiators; central heating radiators; sinks; refining towers for distillation; heat regenerators; regulating and safety accessories for water apparatus; regulating and safety accessories for gas pipes; regulating accessories for water or gas apparatus and pipes; regulating and safety accessories

for gas apparatus; dampers [heating]; lamp reflectors; vehicle reflectors; refrigerators; incandescent burners; expansion tanks for central heating installations; sanitary apparatus and installations; luminous house numbers; lighting apparatus for vehicles; light bulbs; electric light bulbs; light diffusers; toilet seats; bathtubs for sitz baths; incinerators; solar furnaces; solar thermal collectors [heating]; alcohol burners; ceiling lights; sterilizers; water sterilizers; air sterilizers; clean chambers [sanitary installations]; structural plates for ovens; structural framework for ovens; tobacco roasters; fruit roasters; electric laundry dryers; driers [apparatus]; drying apparatus and installations; heat guns; heat exchangers other than parts of machines; thermostatic valves [parts of heating installations]; bread toasters; lampshade holders; pipes [parts of sanitary installations]; boiler pipes [tubes] for heating installations; toilets [WC]; portable toilets; ultraviolet ray lamps not for medical use; wash-hand basins [parts of sanitary installations]; toilet bowls; automatic ash conveyor installations; bath installations; steam generating installations; desalination plants; air conditioning installations; installations for processing nuclear fuel and nuclear moderating material; water cooling installations; milk cooling installations; water distribution installations; sauna bath installations; air filtering installations; swimming pool chlorinating apparatus; flaming torches; flare stacks for use in the oil industry; headlights for automobiles; vehicle headlights; fittings, shaped, for ovens; hair dryers; air filters for air conditioning; filters for drinking water; fountains; friction lighters for igniting gas; electric deep fryers; oven fittings made of fire clay; bread baking machines; bread-making machines; cooling installations for liquids; cooling installations for tobacco; cooling installations and machines; refrigerating apparatus and machines; refrigerating containers; refrigerating chambers; refrigerating display cabinets; refrigerating apparatus and installations; refrigerating cabinets; chromatography apparatus for industrial use; lamp mantles; electric kettles; electric wine cellars; miners' lamps; electrically heated socks; nuclear reactors; bakers' ovens; walk-in refrigerators; lamp casings.

18 – Mountaineering sticks and alpenstocks; Whips; address tags for luggage; gold beaters' skin; suitcases [carrying cases]; trunks [luggage]; curried skins; reins for controlling children; business card cases; compacting modules designed for luggage; boxes of vulcanized fiber; key cases; bits for animals [harness]; bridles [harness]; purses and coin purses; chain mesh purses; reusable shopping bags; parts of rubber for stirrups; traveling trunks; traveling bags; leather labels; chamois leather, other than for cleaning purposes; fastenings for saddles; cat o' nine tails; handbag frames; frames for umbrellas or parasols; attaché cases; wallets; umbrella rings; valves of leather; casings, of leather, for springs; boxes of leather or leatherboard; hat boxes of leather; butts [parts of hides]; kid; saddle

trees; saddlery; slings for carrying infants; furniture coverings of leather; haversacks; moleskin [imitation leather]; travel sets [leatherware]; knee-pads for horses; reins; muzzles; collars for animals; halters; vanity cases; leather thread; music cases; harness fittings; clothing for pets; trimmings of leather for furniture; umbrellas; parasols; leather straps; straps for soldiers' equipment; straps for skates; chin straps, of leather; straps of leather [saddlery]; shoulder belts [straps] of leather; horseshoes; pads for horse saddles; beach bags; leashes; covers for horse saddles; covers [clothing] for animals; horse blankets; girths of leather; briefcases [leather goods] and document holders; conference folders; traces [harness]; randsels [Japanese school satchels]; stirrup leathers; umbrella handles; handles for carrying shopping bags; suitcase handles; walking-stick handles; rucksacks [backpacks]; saddlebags; riding saddles; net bags for shopping; cases of leather or leatherboard; umbrella or parasol ribs; sports bags; stirrups; bags [envelopes, pouches] of leather for packaging; bags for climbers; empty tool bags; sling bag for carrying babies; garment bags for travel; wheeled shopping bags; handbags; bags for campers; bags; pouch baby carriers; nose bags [feed bags]; bridoons; umbrella sticks; hiking sticks and trekking sticks; walking sticks; walking-stick seats; tefillin [phylacteries]; harnesses for animals; harness straps; card cases [wallets]; credit card cases [wallets]; horse collars; fur and fur-skins; saddlecloths for horses; suitcases; motorized suitcases; wheeled suitcases; umbrella covers; school bags; imitation leather; unworked or semi-worked leather; leatherboard; animal skins and hides; cattle skins; leather laces; blinders [harness]; game bags.

21 – Household or kitchen utensils and containers; cooking utensils and tableware, except forks, knives and spoons; combs and sponges; brushes, except paintbrushes; cleaning material; unworked or semi-worked glass, except building glass; glassware, porcelain and earthenware; abrasive pads for kitchen purposes; non-electric pressure cookers (autoclaves); non-electric pressure cookers (autoclaves); wine aerators; aerosol dispensers for household or kitchen use, not for medical use; indoor aquariums; perfume burners; cotton waste for cleaning; cookie jars; labels for decanters; saucers; demijohns; vases; fruit cups; bird baths; portable baby baths; non-electric waffle irons; epergnes (table centerpieces); carpet beaters [hand instruments]; signboards of porcelain or glass; cookie cutters [kitchenware]; tankards; polishing leather; ice buckets; ice buckets; buckets; tubs; buckets for wringing out mops; buckets made of woven fabrics; brooms; non-electric whisks for household use; towel rails and rings; containers for household or kitchen use; tea caddies; lunch boxes; wool waste for cleaning; water apparatus for cleaning teeth and gums; hair for brushes; furniture dusters; dusting cloths [rags]; cloth for washing floors; polishing cloths; rags [cloths] for cleaning; candle extinguishers; button

hooks; cold packs for cooling food and beverages; pitchers; jugs; earthenware; feeding troughs; heads for electric toothbrushes; pottery; pots; decanters; large-toothed combs for the hair; combs for animals; electric combs; combs; make-up sponges; household sponges; deodorizing apparatus for personal use; dripping pans; broom handles; abrasive sponges for scrubbing the skin; smoke absorbers for household use; soap dispensers; boxes for dispensing paper towels; toilet paper dispensers; cutting boards for the kitchen; bread boards; ornaments of porcelain; non-electric kitchen mills; electric devices for attracting and killing insects; plug-in mosquito repellent diffusers; enameled glass, other than that used in construction; scrubbing brushes; chamois leather for cleaning; buckskin for cleaning; closures for pot lids; non-electric beaters; non-electric blenders for household use; toothbrushes; electric toothbrushes; toothpicks; isothermal bags; non-electric coffeepots; manual coffee grinders; non-electric coffee percolators; coffee services; cauldrons; mess-tins; candelabra [candlesticks]; candle holders (candlesticks); stew-pans; earthenware saucepans; rolling pins; flower-pot covers, not of paper; flower pots; ceramic products for household purposes; pastry baking mats; napkin rings; horsehair for brush-making; glue-pots; birdcages; cages for household pets; cleaning tow; shoe trees; boot trees; boxes of glass; cosmetic utensils; spatulas for cosmetic use; waste paper baskets; bread baskets for household use; fitted picnic baskets, including dishes; baskets for household use; droppers for watering flowers and plants; syringes for watering flowers and plants; crystal [glassware]; reusable ice cubes; bulb basters; mugs; non-electric cooking utensils; non-electric cooking pots; cooking skewers, of metal; cookery molds; kitchen utensils; kitchen gloves; barbecue gloves; plate glass [raw material]; funnels; shoe horns; ice cream scoops; spoons for basting meat [cooking utensils]; kitchen spatulas; pie servers; crumb trays; majolica; butter dishes; brush-making materials; electric or non-electric lint removers; steel wool for cleaning; carpet sweepers; soap boxes; soap holders; bowls; mouse traps; confectioners' decorating bags; hand-operated mills for household use; manual pepper mills; mosaics of glass, not for building; saucepan scourers of metal; fly swatters; fly traps; liqueur sets; spice sets; cooking pot sets; non-electric feeding bottle warmers; pot lids; butter-dish covers; dish covers; cheese-dish covers; aquarium hoods; drinking troughs; nozzles for watering cans; nozzles for sprinkler hoses; knife rests for the table; place mats, not of paper or textile; utensils for household use; toilet cases; dental floss; chamber pots; spouts; washtubs; disposable table plates; opaline glass; opal glass; portable non-electric refrigerating containers; chopsticks; cocktail stirrers; paper plates; non-electric steamers; insect traps; rat traps; kitchen brushes; make-up brushes; mixing spoons [kitchen utensils]; pepper pots; beer mugs; non-electric dusting apparatus; nest eggs, artificial; cabarets [serving tra-

ys]; trays for household use; lazy susans [kitchenware]; paper trays for household use; trivets [table utensils]; holders for plants [flower arrangements]; decanter coasters, neither of paper nor of textile materials; shaving brush holders; flat-iron stands; grill supports; egg cups; place mats, neither made of paper nor of textile materials; feather dusters; plates to prevent milk boiling over; cruets; bottles; drinking bottles; busts of porcelain, ceramic, earthenware, terracotta or glass; non-electric kitchen grinders; scouring pads; rings for birds; poultry rings; watering cans; watering implements; non-electric polishing apparatus and machines for household use; polishing materials [for making shiny] excluding preparations, paper and stone; apparatus for wax-polishing [non-electric]; wax-polishing appliances, non-electric, for shoes; polishing gloves; shaving brushes; porcelain ware; dishes; vegetable dishes; refrigerating bottles; drinking vessels; glass jars [carboys]; non-electric ice cream makers; washing boards; ironing boards; tie presses; tortilla presses, non-electric [kitchen utensils]; non-electric fruit presses for household use; trouser presses; cruet sets for oil and vinegar; make-up removing apparatus; bottle openers, electric and non-electric; boot jacks; glove stretchers; mop wringers; clothing stretchers; pot holders (oven gloves); clothes pegs; plungers for clearing blocked drains; stoppers of glass; glass caps; cinder sifters [household utensils]; empty powder compacts; perfume sprayers; powder puffs; sifters [household utensils]; pastry cutters [baker's knives]; drinking horns; sprinklers; foam toe separators for use in pedicures; fused silica [semi-worked product], other than for building; household gloves; gloves for washing cars; noodle-making apparatus [hand implements]; gardening gloves; salad bowls; piggy banks; candle jars [holders]; candle rings; non-electric egg separators for household use; services [dishes]; serving ladles; sieves [household utensils]; siphon bottles for carbonated water; salt cellars; coin banks (piggy banks); glass for vehicle windows [semi-finished product]; glass incorporating fine electrical conductors; unworked or semi-worked glass, except building glass; glass wool other than for insulation; vitreous silica fibers not for textile use; fiberglass other than for insulation or textile use; fiberglass threads, other than for textile use; painted glass; powdered glass for decoration; glass vials [containers]; glass flasks [containers]; glasses [receptacles]; drinking glasses; frying pans; grills [cooking utensils]; camping grills [cooking utensils]; currycombs; non-electric deep fryers; scoops for household use; drinking straws; straws for drinking; statues of porcelain, ceramic, earthenware, terracotta or glass; tableware; table plates; kitchen mortars; soup bowls; drying racks for laundry; basins [receptacles]; art objects made of porcelain, ceramic, earthenware, terracotta or glass; indoor terrariums [vivariums]; indoor terrariums [plant cultivation]; heat-insulated containers; heat-insulated containers for beverages; thermally insulated containers for food; insu-

lating flasks; non-electrically heated hot pots; kitchen graters; kitchen pestles; sponge holders; toothpick holders; toilet paper holders; menu card holders; table napkin holders; toilet sponges; litter boxes (trays) for pets; toilet brushes; tea cosies; urns for household or kitchen use; figurines of porcelain, ceramic, earthenware, terracotta or glass; non-electric coffee filters; flasks; pocket flasks; molds [kitchen utensils]; cake molds; ice molds; comb cases; bread bins; strainers for household use; candy boxes; sugar bowls; garlic presses [kitchen utensils]; teapots; non-electric kettles; tea services; tea infusers; tea strainers; cups; cups of paper or plastic; ladles for wine; hand-operated cleaning instruments; ironing board covers; mops; mixers for beverages [shakers]; corkscrews, electric and non-electric; pig bristles for brush-making; animal bristles [brushware]; ice-cube tongs; nutcrackers; salad tongs; sugar tongs; shoe brushes; horse brushes; lamp-glass brushes; long handled tar-brushes; dishwashing brushes; waxing brushes; brushes for cleaning tanks and containers; electric brushes, except parts of machines; brushes; brush goods; eyebrow brushes; eyelash brushes; nail brushes; window-boxes; mangers for animals; dustbins; garbage cans; refuse bins for household use; trash cans.

---

(260) AM 2024 123112 A

(800) 1732262

(151) 2023 03 21

(891) 2023 03 21

(731) Noscat GmbH

Wallnerstraße 4/6/34, A-1010 Vienna, Austria

(540)

## **BiSilvAloe**

(591) Black, white

(511)

5 – Disinfectants and antiseptics containing silver; medical preparations and substances containing silver; pharmaceutical medicines containing silver; antiseptic preparations containing silver for wound care; pharmaceutical preparations for skin care; tissue-regenerative pharmaceutical preparations; pharmaceutical and medical products for treatment of burns and infected wounds; pharmaceutical creams; medicated plasters.

10 – Surgical and medical apparatus and instruments for treatment of burns and infected wounds; cooling patches for medical purposes.

---

(260) AM 2024 123113 A

(800) 1732291

(151) 2023 05 04

(891) 2023 05 04

(731) Incyte Holdings Corporation

1801 Augustine Cut-Off, Wilmington DE  
19803, USA



(540)

**NIKTIMVO**

(591) Black, white

(511)

5 – Pharmaceutical preparations for the treatment of cancer; pharmaceutical preparations for the treatment of immunological disorders; pharmaceutical preparations for the treatment of graft versus host disorder (GVHD); pharmaceutical preparations for the treatment of hematological disorders; pharmaceutical preparations for the treatment of hypophosphatemia disorders; pharmaceutical preparations for the treatment of myeloproliferative disorders; pharmaceutical preparations for the treatment of skeletal or chondrocyte disorders; pharmaceutical preparations for the treatment of dermatological disorders; pharmaceutical preparations for the treatment of fibrotic disorders.

16 – Printed brochures, newsletters, and pamphlets in the fields of medical issues, procedures, disease symptoms, patient support and community building.

44 – Providing a medical information to healthcare providers and patients relating to viral, hematological, auto-immune, graft versus host, inflammatory, metabolic, fibrotic and dermatological disorders.

(260) AM 2024 123114 A

(800) 1732303

(151) 2022 12 15

(891) 2022 12 15

(731) ERC DISTRIBUTION AG

Poststrasse 14, CH-6302 Zug, Switzerland

(540)


 The logo for ARDESTO features the brand name in a bold, uppercase, sans-serif font. The letter 'O' is stylized as a circle with a horizontal line through its center, resembling a power symbol or a specific design element.

(591) Black, white

(531) 15.09.11; 27.01.06; 27.03.01; 27.03.15;

27.05.02; 27.05.08; 27.05.17

(511)

7 – Machines, machine tools, power-operated tools; machine coupling and transmission components, other than for land vehicles; agricultural implements, other than hand-operated hand tools; 3D printers; automatic grapnels for marine purposes; air brushes for applying color; aerocondensers; glaziers' diamonds [parts of machines]; anti-friction bearings for machines; anti-friction pads for machines; apparatus for aerating water; apparatus for aerating beverages; elevator control devices; acetylene cleaning apparatus; apparatus for drawing up beer under pressure; machine drums; concrete mixers [machines]; pulleys; reels for machines; bobbins for weaving looms; harrows; flour mill machines; journal boxes [parts of machines]; bulldozers; hoppers for mechanical discharging; floating or non-floating drilling rigs; vacuum pumps [machines]; loom shafts; rolling mill cylinders; extractors for mines; ore extraction devices; loading ramps; fans for motors

and engines; machine tools; die-cutting and tapping machines; threading machines; electric screwdrivers; exhaust manifolds for engines; exhausts for motors and engines; vibrators [machines] for industrial use; wringing machines for laundry; clack valves [parts of machines]; centrifugal mills; centrifugal pumps; electric whisks for household use; winnowers; water heaters being parts of machines; metal drawing machines; friezing machines; notchers [machine tools]; coal-cutting machines; suction machines for industrial use; suction nozzles for vacuum cleaners; carbon brushes [electricity]; vulcanization apparatus; knitting machines; lawnmowers [machines]; brake shoes other than for vehicles; brake pads other than for vehicles; brake linings other than for vehicles; brake segments other than for vehicles; emergency power generators; alternators; dynamos; bicycle dynamos; current generators; hydraulic engines and motors; hydraulic turbines; torque converters other than for land vehicles; mine borers; mineworking machines; mufflers for motors and engines; cylinder heads for engines; card clothing [parts of carding machines]; potters' wheels; machines for sharpening; rakes for raking machines; engraving machines; stalk separators [machines]; mud catchers and collectors [machines]; tarring machines; rubber tracks being parts of crawlers on construction machines; rubber tracks being parts of crawlers on mining machines; rubber tracks being parts of crawlers on loading-unloading machines and apparatus; rubber tracks being parts of crawlers on agricultural machines; rubber tracks being parts of crawlers on snowplows; airplane engines; aeronautical engines; engines for boats; engines for air cushion vehicles; compressed air engines; motors and engines other than for land vehicles; de-aerators for feedwater; disintegrators; tympan [parts of printing presses]; woodworking machines; derricks; joysticks being parts of machines, other than for game machines; adhesive tape dispensers [machines]; dividing machines; mortizing machines; milking machines; chisels for machines; jacks [machines]; pneumatic jacks; self-propelled road sweeping machines; rood making machines; drainage machines; electric hand drills; electric kitchen grinders; typographic machines; typographic presses; printing plates; printing rollers for machines; printing presses; printing machines; printing cylinders; ejectors; fuel economizers for motors and engines; excavators; electrical apparatus for sealing plastics [packaging]; electric welding apparatus; electric hammers; electricity generators; electric motors other than for land vehicles; electrodes for welding machines; electric arc welding apparatus; electric arc cutting apparatus; electromechanical machines for the chemical industry; moving staircases [escalators]; labelers; flues for engine boilers; feeders [parts of machines]; feeding apparatus for engine boilers; reapers; reapers and binders; millstones; handling apparatus [for loading and unloading]; railroad constructing machines; igniting devices for internal combustion engines; chucks

[parts of machines]; scale collectors for machine boilers; gas-operated soldering apparatus; gas-operated welding apparatus; electric welding machines; bending machines; raking machines; grain separators; reapers and threshers; joints [parts of engines]; shaft couplings [machines]; mixing machines; mixers; electric blenders for household use; machine wheelwork; couplings other than for land vehicles; stitching machines; injectors for engines; incubators for eggs; electric ski edge sharpening tools; control cables for machines, engines or motors; capstans; coffee grinders, other than hand operated; calenders [machines]; size adjustment cutting machines for industrial use; stone-working machines; ditchers [plows]; guards [parts of machines]; carburetors; carburetor feeders; sliders for knitting machines; crankcases for machines, motors and engines; catalytic converters; hydraulic controls for machines, motors and engines; pneumatic controls for machines, motors and engines; piston segments; valves [parts of machines]; electric glue guns; riveting machines; machine wheels; crank shafts; compressors [machines]; compressors for refrigerators; conveyors [machines]; converters for steelworks; steam condensers [parts of machines]; condensing installations; diggers [machines]; rams [machines]; cranks [parts of machines]; boxes for matrices [printing]; gearboxes other than for land vehicles; housings (parts of machines); steam engine boilers; mechanical reels for flexible hoses; basket presses; cranes [lifting and hoisting apparatus]; taps [parts of machines, engines or motors]; hangers [parts of machines]; tilt hammers; ball rings for bearings; cultivators [machines]; electric food processors; electric kitchen machines; gas-operated blow torches; elevator chains [parts of machines]; chain saws; winches; blade sharpening [stropping] machines; blade holders [parts of machines]; foundry machines; molds [parts of machines]; elevators (lifts); mechanical shovels; blades [parts of machines]; igniting magnetos; automatic handling machines [manipulators]; churns; butter machines; grease rings [parts of machines]; grease boxes [parts of machines]; lubricating pumps; lubricators [parts of machines]; matrices for use in printing; machine fly-wheels; coating machines; white-washing machines; sausage making machines; cord making machines; lace making machines; stereotype machines; bitumen making machines; pasta making machines; apparatus for the mineralization of drinking water; sugar making machines; electroplating machines; swaging machines; electromechanical food preparation machines; electromechanical apparatus for beverage preparation; printing machines for use on sheet metal; dyeing machines; bottle capping machines; bottle stoppering machines; sealing machines for industrial use; bottle sealing machines; bicycle assembling machines; harvesting machines; earth-moving machines; leather paring machines; finishing machines; grain husking machines; bottle washing machines; type-setting machines [printing]; filling machi-

nes; racket stringing machines; leather-working machines; machines for transformation of plastic materials; ore treating machines; glass-working machines; tobacco processing machines; peeling machines; papermaking machines; dairy machines; oil refining machines; brewing machines; hemming machines; crushing machines; grinding machines; shearing machines for animals; machines for the textile industry; embossing machines; waste compacting machines; electric machines and apparatus for carpet shampooing; electric machines and apparatus for polishing; electric machines and apparatus for wax-polishing; electric machines and apparatus for cleaning; pump diaphragms; metalworking machines; control devices for machines, engines or motors; mechanized livestock feeders; power hammers; high-pressure washers; washing installations for vehicles; washing apparatus; fleshing machines; bellows [parts of machines]; forge blowers; agitators; mills [machines]; pepper mills other than hand-operated; mills for household use other than hand-operated; threshing machines; hammers [parts of machines]; cream/milk separators; motor and engine mounts other than for land vehicles; roller bridges; motorized cultivators; motors for boats; freewheels other than for land vehicles; clutches other than for land vehicles; meat choppers [machines]; pressure valves [parts of machines]; superchargers; mechanical reeling apparatus; guides for machines; vacuum cleaner attachments for disseminating perfumes and disinfectants; pumps [machines]; pumps [parts of machines, engines or motors]; aerating pumps for aquariums; pumps for heating installations; beer pumps; electric shears; electric scissors; knives for mowing machines; chaff cutter blades; electric knives; electric can openers; kick starters for motorcycles; wrapping machines; rotary printing presses; fittings for engine boilers; braiding machines; axles for machines; dust removing installations for cleaning purposes; dust exhausting installations for cleaning purposes; fuel-dispensing pumps for service stations; portable rotary steam presses for fabrics; steamrollers; steam engines; steam/oil separators; superheaters; steam traps; fan belts for motors and engines; dynamo belts; belts for motors and engines; elevator belts; adhesive bands for pulleys; gas-operated soldering irons; electric soldering irons; electric soldering apparatus; gas-operated soldering blow pipes; soldering lamps; pedal drives for sewing machines; gears other than for land vehicles; fuel conversion apparatus for internal combustion engines; saws [machines]; saw blades [parts of machines]; vacuum cleaners; saw benches [parts of machines]; lifting apparatus; hoists; railway wagon lifts; elevating apparatus; lifts, other than ski-lifts; bearings [parts of machines]; bearings for transmission shafts; ball-bearings; roller bearings; bearing brackets for machines; guns [tools using explosive cartridges]; spray guns for paint; plows; turf removing plows; plowshares; compressed air machines; pneumatic hammers; compressed air pumps; compressed air guns

for the extrusion of mastics; pneumatic transporters; pneumatic tube conveyors; air suction machines; blowing machines; blowing machines for the compression, sucking and carrying of grain; blowing machines for the compression, exhaustion and transport of gases; air condensers; air pumps [garage installations]; paper feeders [printing]; electric crushers for kitchen use; garbage crushers [waste] [machines]; weeding machines; pistons [parts of machines or engines]; shock absorber plungers [parts of machines]; pistons for engines; pistons for cylinders; dishwashers; trimming machines; laundry washing machines; coin-operated washing machines; ironing machines; smoothing presses; presses [machines for industrial use]; wine presses; fodder presses; electric fruit presses for household use; hydraulic devices for opening windows; electric devices for opening windows; pneumatic devices for opening windows; hydraulic devices for opening doors; electric devices for opening doors; pneumatic devices for opening doors; binding apparatus for hay; hydraulic devices for closing windows; electric devices for closing windows; pneumatic devices for closing windows; hydraulic devices for closing doors; electric door closers; pneumatic devices for closing doors; degreasers [machines]; anti-pollution devices for motors and engines; air cushion devices for moving loads; electric shoe polishers; electric parquet wax-polishers; cleaning appliances utilizing steam; electrically-operated curtain-drawing devices; bookbinding apparatus and machines for industrial use; punching machines; punches for punching machines; rolling mills; rinsing machines; sifting installations; sifting machines; springs [parts of machines]; spinning frames; spinning machines; spinning wheels; puddling machines; pulverizers [machines]; sewage pulverizers; tambours for embroidery machines; cooling radiators for motors and engines; jet engines other than for land vehicles; regulators [parts of machines]; speed governors for machines, engines and motors; pressure regulators [parts of machines]; reduction gears other than for land vehicles; pressure reducers [parts of machines]; rack and pinion jacks; rail-laying machines; gears for weaving looms; gas-operated cutting blow pipes; cutters [machines]; tools [parts of machines]; cutting machines; knives being parts of machines; robots [machines]; filling machines; camshafts for vehicle engines; vending machines; expansion tanks [parts of machines]; moving walkways; hand-held tools, other than hand-operated; propulsion mechanisms other than for land vehicles; stuffing boxes [parts of machines]; self-oiling bearings; self-regulating fuel pumps; satinizing machines; drilling machines; drilling heads [parts of machines]; drill chucks [parts of machines]; sparking plugs for internal combustion engines; glow plugs for Diesel engines; water separators; cigarette machines for industrial use; sieves [machines or parts of machines]; cinder sifters [machines]; sowers [machines]; agricultural implements other than hand-operated; agricultural ele-

vators; agricultural machines; tedding machines; net hauling machines [fishing]; straw [chaff] cutters; pigs for cleaning pipes; snow plows; sheaf-binding machines; electric juice extractors; sorting machines for industry; suction cups for milking machines; stands for machines; starters for motors and engines; stators [parts of machines]; stands for machines; clippers [machines]; belts for conveyors; belt conveyors; planing machines; slide rests [parts of machines]; heat exchangers [parts of machines]; thermic lances [machines]; grating machines for vegetables; beating machines; electric beaters; kneading machines; looms [machines]; hosiery looms; lathes [machine tools]; vacuum cleaner bags; grindstones [parts of machines]; sharpening wheels [parts of machines]; rammers [machines]; transmissions for machines; transmission shafts other than for land vehicles; transmission chains other than for land vehicles; holding devices for machine tools; boiler tubes [parts of machines]; wind turbines; turbines other than for land vehicles; turbocompressors; driving motors other than for land vehicles; driving chains other than for land vehicles; universal joints [Cardan joints]; packaging machines; painting machines; aprons [parts of machines]; filters as parts of machines, motors or engines; filters for cleaning cooling air, for motors and engines; filters-cartridges for filtering machines; filter presses; filtering machines; molding machines; type-setting machines [photocomposition]; milling machines; bread cutting machines; journals (parts of machines); electric nail extractors; central vacuum cleaning installations; centrifugal machines; spin dryers [not heated]; cylinders for motors and engines; cylinders for machines; galvanizing machines; carding machines; shuttles [parts of machines]; inking apparatus for printing machines; connecting rods for machines, motors or engines; sewing machines; lasts for shoes [parts of machines]; pulleys [parts of machines]; vacuum cleaner hoses; trueing machines; shredders [machines] for industrial use; typecasting machines; die-stamping machines; stamping machines; darning machines; brushes [parts of machines]; dynamo brushes; brushes for vacuum cleaners; electrically operated brushes [parts of machines].

8 – Hand-operated hand tools and instruments; abrading instruments [hand instruments]; glaziers' diamonds [parts of hand tools]; hand-operated apparatus for destroying plant parasites; bayonets; electric or non-electric razors; razor strops; borers; pick hammers; levers; fulling tools [hand tools]; table forks; non-electric screwdrivers; forks for agricultural use [hand tools]; tap wrenches; lawn clippers [hand instruments]; wrenches [hand tools]; harpoons; harpoons for fishing; tattoo needles; scythe stones; stropping instruments; sharpening stones; leather strops; edge tools [hand tools]; pincers; goffering irons; crimping irons; rakes [hand tools]; sand trap rakes; engraving needles; cutter bars [hand tools]; handles for hand-operated hand tools; children's table spoons, knives

and forks; punch pliers [hand tools]; chisels; sculptors' chisels; mortise chisels; hand-operated jacks; extension pieces for braces for screw taps; sharpening instruments; spades; clamps for carpenters or coopers; side arms, other than firearms; rabbeting planes; bits [hand tools]; electric or non-electric depilation apparatus; implements for decanting liquids [hand tools]; hand implements for hair curling; priming irons [hand tools]; gouges; numbering punches; oyster openers; hand-operated ski edge sharpening tools; ear-piercing apparatus; livestock marking tools; molding irons; stone hammers; embossers [hand tools]; punch rings [knuckle dusters]; instruments for punching tickets; ceramic knives; center punches [hand tools]; trunchions; daggers; picks [hand tools]; pickaxes; mallets [hand instruments]; annular screw plates; scythe rings; scythe handles; riveters [hand tools]; riveting hammers [hand tools]; blades [weapons]; pliers; wire strippers [hand tools]; breast drills; fireplace bellows [hand tools]; caulking irons; diggers [hand tools]; lasts [shoemakers' hand tools]; rams [hand tools]; scythes; hainault scythes; squares [hand tools]; fire irons; electric or non-electric nail clippers; blades [hand tools]; razor blades; blades for planes; shear blades; blade sharpening instruments; vices; bench vices [hand apparatus]; foundry ladles (hand tools); electric or non-electric fingernail polishers; spoons; crow bars; shovels [hand tools]; trowels [gardening]; spatulas for use by artists; ice picks; manicure sets; electric manicure sets; palette knives; machetes; hair dippers for personal use, electric and non-electric; swords; taps [hand tools]; sledgehammers; hammers [hand tools]; masons' hammers; mattocks [hand tools]; ditchers [hand tools]; trowels; fleshing knives [hand tools]; pedicure sets; needle files; emery grinding wheels; emery files; emery boards; files; dies [hand tools]; hand pumps; metal wire stretchers [hand tools]; metal band stretchers [hand tools]; shaving cases; cattle shearers; wick trimmers [scissors]; shears; shearers [hand instruments]; pruning shears; tree pruners; border shears; scissors; non-electric can openers; farriers' knives; scaling knives; non-electric pizza cutters; grafting tools; paring knives; hunting knives; cleavers; bill-hooks; penknives; knives; cutlery; nail drawers [hand tools]; hand-operated vegetable shredders; vegetable choppers; budding knives; reamer sockets; perforating tools [hand tools]; saws [hand tools]; jig-saws; bow saws; nail files; electric nail files; tweezers; hair-removing tweezers; guns [hand tools]; non-electric caulking guns; guns, for the extrusion of mastics; sword scabbards; table knives, forks and spoons of plastic materials; fruit pickers; paring irons [hand tools]; hand-operated air pumps; weeding forks [hand tools]; polishing irons; saw blades [parts of tools]; tool belts [holders]; flat irons; irons [non-electric hand tools]; money scoops; fish tapes [hand tools]; apparatus for tattooing; punches [hand tools]; nail punches; pin punches; thistle extractors; frames for handsaws; rasps [hand tools]; cutting tools; tube

cutting instruments; bits [parts of hand tools]; graving tools; cutters; syringes for spraying insecticides; reamers; insecticide sprayers [hand tools]; expanders [hand tools]; planes; plane irons; knife handles; saw holders; hand-operated hand drills; fullers [hand tools]; hand-operated hand tools; beard clippers; hair clippers for animals [hand instruments]; hand-operated garden tools; pruning knives; hoes [hand tools]; augers [tools]; hollowing bits (parts of hand tools); gimlets [hand tools]; drill holders [tools]; pruning scissors; sickles; choppers being knives; kitchen mandolines; hand-operated agricultural implements; non-electric cheese slicers; scrapers for skis; scraping tools; axes; holing axes; hatchets; hoop cutters; silver plate [knives, forks and spoons]; table cutlery [cutlery, forks and spoons]; drawing knives; mortars for pounding [hand tools]; miter boxes; branding irons; adzes [tools]; carpenters' augers; braiders [hand tools]; sharpening steels; grindstones [hand tools]; rammers [hand tools]; earth rammers [hand tools]; whetstone holders; ratchets [hand tools]; tube cutters [hand tools]; razor cases; hobby knives [scalpels]; hand-operated nail extractors; ladles [hand tools]; hackles [hand tools]; sabers; milling cutters [hand tools]; marine spikes; awls; instruments and tools for skinning animals; spatulas [hand tools]; stamping-out tools; curling tongs; cuticle tweezers; nail nippers; eyelash curlers; non-electric egg slicers.

9 – Scientific, research, navigation, surveying, photographic, cinematographic, audiovisual, optical, weighing, measuring, signalling, detecting, testing, inspecting, life-saving and teaching apparatus and instruments; apparatus and instruments for conducting, switching, transforming, accumulating, regulating or controlling the distribution or use of electricity; apparatus and instruments for recording, transmitting, reproducing or processing sound, images or data; recorded and downloadable media, computer software, blank digital or analogue recording and storage media; cash registers, calculating devices; computers and computer peripheral devices; 3D spectacles; telephone answering machines; ticket dispensers; breakers (circuit breakers); automated teller machines [ATM]; steering devices, automatic, for vehicles; automatic indicators of low pressure in vehicle tires; aerometers; asbestos clothing for protection against fire; asbestos gloves for protection against accidents; asbestos screens for firemen; accelerometers; actinometers; batteries for electronic cigarettes; electric accumulators; acoustic couplers; alidades; altimeters; ammeters; anemometers; anodes; anode batteries; antennas; anti-glare glasses; anti-glare screens; anticathodes; remote control apparatus; data processing apparatus; apparatus to check franking; electric devices for remote ignition; apparatus and installations for the production of X-rays, not for medical use; Global Positioning System [GPS] apparatus; testing apparatus not for medical use; apertometers [optics]; acid hydrometers; acidimeters for batteries; apparatus and instruments

for astronomy; receivers [audio, video]; audiovisual teaching apparatus; audio interfaces; luminous beacons; balancing devices; lighting ballasts; accumulator jars; barometers; ignition batteries; electric batteries; electric accumulators for vehicles; cordless telephones; balances [steelyards]; betatrons; binoculars; biochips; computer memory devices; black boxes [data recorders]; fire hose nozzles; connected bracelets [measuring instruments]; scales; baby scales; scales with body mass analyzers; bathroom scales; weighbridges; plumb bobs; vacuum gauges; vacuum tubes [radio]; variometers; shoes for protection against accidents, irradiation and fire; measuring instruments; gauges; measuring apparatus; electric measuring apparatus; measures; current rectifiers; high-frequency apparatus; flow meters; branch boxes [electricity]; video screens; camcorders; video cassettes; video devices for monitoring babies; video telephones; photographic viewfinders; sighting telescopes for firearms; viscosimeters; wind socks for indicating wind direction; leveling staffs [surveying instruments]; peepholes [magnifying lenses] for doors; marking buoys; fire extinguishers; diving suits; diving masks; fiber-optic cables; voltmeters; ear plugs for divers; gas testing apparatus; gasometers [measuring instruments]; electric discharge tubes other than for lighting; galena crystals [detectors]; galvanic batteries; galvanic cells; galvanometers; hands-free kits for telephones; virtual reality headsets; heliographic apparatus; surveying instruments and devices; surveying chains; weights; hygrometers; hydrometers; needles for surveying compasses; needles for record players; holograms; graduated glassware; sounding leads; loudspeakers; range finders (telemeters); decompression chambers; densimeters; densitometers; detectors; smoke detectors; counterfeit coin detectors; bells [warning apparatus]; mirrors [optics]; mirrors for inspecting work; dictating machines; dynamometers; floppy disks; magnetic disks; disk drives [for computers]; juke boxes for computers; telerupters; distillation apparatus for scientific use; diffraction apparatus [microscopy]; breathing apparatus for underwater swimming; breathing apparatus, except for artificial respiration; diagnostic apparatus, not for medical use; transparencies [photography]; slide projectors; diaphragms [acoustics]; diaphragms [photography]; diaphragms for scientific apparatus; DNA chips; adding machines; dosage dispensers; dosimeters; luminous or mechanical road signs; road traffic cones; fuse wires; choking coils [impedance]; equalizers [audio apparatus]; screens [photography]; exposure meters [light meters]; electrified fences; electrified rails for mounting spot lights; electric installations for the remote control of industrial operations; electrical adapters; electric door bells; electricity conduits; electro-dynamic apparatus for the remote control of railway points; electro-dynamic apparatus for the remote control of signals; electromagnetic coils; electronic key fobs being remote control apparatus; downloadable electronic publications; elec-

tronic interactive whiteboards; electronic pocket translators; electronic collars to train animals; downloadable electronic sheet music; electronic pens [visual display units]; electronic notice boards; electronic access-control systems for interlocking doors; electric and electronic effect devices for musical instruments; electronic tags for goods; epidiascopes; ergometers; magnetic identification bracelets; electric locks; electronic agendas; voltage surge protectors; fuses; battery chargers; chargers for electric accumulators; chargers for electronic cigarettes; charging stations for electric vehicles; protection devices for personal use against accidents; protection devices against X-rays, not for medical use; protective suits for aviators; protective masks, not for medical use; goggles for sports; protective films adapted for computer screens; protective films adapted for smartphones; head guards for sports; mouth guards for sports; protective helmets; protective helmets for sports; acoustic [sound] alarms; sound reproduction apparatus; sound recording carriers; sound recording apparatus; phonograph records; sound recording strips; sound transmission apparatus; acoustic conduits; connectors [electricity]; couplers [data processing equipment]; connections for electric lines; electric couplings; wire connectors [electricity]; mechanical signs; luminous signs; probes for scientific use; sounding apparatus and machines; buzzers; readers [data processing equipment]; bar code readers; magnetic identity cards; inverters [electricity]; slope indicators; inclinometers; clinometers; pressure indicators; incubators for bacteria culture; instruments containing eyepieces; integrated circuits; interactive touch-screen terminals; interfaces [for computers]; infrared detectors; ionization apparatus not for the treatment of air or water; spark-guards; starter cables for motors; electric cables; calipers; calibrating rings; calorimeters; pocket calculators; teeth protectors; capillary tubes for laboratory use; memory cards for video game machines; integrated circuit cards [smart cards]; encoded key cards; carriers for dark plates [photography]; video game cartridges; cash registers; cathodes; cathodic anti-corrosion devices; mouse pads; exposed cinematographic films; cinematographic cameras; terminals [electricity]; push buttons for bells; coaxial cables; encoded magnetic cards; electric collectors; dog whistles; compact disks [audio-video]; optical compact disks; comparators; directional compasses; marine compasses; computers; computer hardware; downloadable game software; software [recorded programs]; joysticks for use with computers, other than for video games; computer keyboards; computer peripheral devices; computer printers; magnetic tape units [for computers]; downloadable computer programs; recorded computer programs; recorded computer operating programs; commutators; electric apparatus for commutation; electrical condensers [capacitors]; electric contacts; contact lenses; containers for contact lenses; boiler control instruments; correcting lenses [optics]; junction boxes [electricity]; cabinets

for loudspeakers; accumulator boxes; squares for measuring; cosmographic instruments; clothing for protection against fire; clothing for protection against fire; spools [photography]; electric coils; inductors [electricity]; laboratory pipettes; pedometers; circular slide rules; bullet-proof clothing; bullet-proof vests; azimuth instruments; laboratory trays; logs [measuring instruments]; lasers not for medical use; lactodensimeters; lactometers; darkroom lamps [photography]; flash-bulbs [photography]; spectacle chains; laptop computers; spectacle lenses; rulers [measuring instruments]; carpenters' rules; optical lanterns; optical lamps; counters; revolution counters; distance recording apparatus; mileage recorders for vehicles/kilometer recorders for vehicles; slide-rules; sounding lines; magnifying glasses [optics]; magnets; decorative magnets; magnetic encoders; magnetic data media; magnetic wires; magnetic tapes; videotapes; crash test dummies; pressure gauges; solderers' helmets; mathematical instruments; materials for electricity mains [wires, cables]; weighing machines; money counting and sorting machines; material testing instruments and machines; furniture especially made for laboratories; megaphones; portable media players; metal detectors for industrial or military use; meteorological instruments; meteorological balloons; rules [measuring instruments]; dressmakers' measures; metronomes; mechanisms for counter-operated apparatus; mechanisms for coin-operated apparatus; coin-operated mechanisms for television sets; mouse [computer peripheral]; insulated copper wire; micrometers; micrometer screws for optical instruments; microprocessors; microscopes; microtomes; microphones; audio mixers; measuring spoons; mobile telephones; portable telephones; modems; monitors [computer hardware]; monitors [computer programs]; devices for editing cinematographic films; nautical apparatus and instruments; marine depth finders; naval signaling apparatus; coin-operated musical automata [juke boxes]; animated cartoons; junction sleeves for electric cables; navigational instruments; navigation apparatus for vehicles [on-board computers]; teaching apparatus; headphones; knee-pads for workers; covers for electric outlets; semiconductors; neon signs; identification threads for electric wires; thread counters; surveyors' levels; leveling instruments; verniers; nose clips for divers and swimmers; notebook computers; objectives [lenses] [optics]; lenses for astrophotography; close-up lenses; limiters [electricity]; sheaths for electric cables; identification sheaths for electric wires; egg-candlers; clothing for protection against accidents, irradiation and fire; special clothing for laboratories; ozonizers [ozonators]; octants; spectacles [optics]; sunglasses; eyepieces; ohmmeters; eyeglass frames; optical glass; eyewear; optical fibers [light conducting filaments]; optical disks; optical readers; optical condensers; optical lenses; optical data media; optical apparatus and instruments; sights for artillery guns; oscillographs; cleaning apparatus for sound recording

discs; selfie sticks [hand-held monopods]; parking meters; safety restraints other than for vehicle seats or sports equipment; pince-nez; stills for laboratory experiments; intercommunication apparatus; speaking tubes; transmitters of electronic signals; oxygen trans-vasing apparatus; switchboxes [electricity]; switchboards; electric switches; automatic time switches; electric converters; periscopes; personal stereos; punched card machines for offices; furnaces for laboratory use; amplifying lamps; amplifiers; wrist rests for use with computers; pyrometers; planimeters; plane tables [surveying instruments]; tablet computers; plates for batteries; boards for integrated circuits; printed circuit boards; DVD players; cassette players; compact disc players; exposed films; X-Y plotters; fire escapes; fire engines; fire pumps; fire blankets; fire beaters; fire alarms; fire boats; fire hoses; electric loss indicators; quantity indicators; petrol gauges; gasoline gauges; water level indicators; sprinkler systems for fire protection; polarimeters; vehicle breakdown warning triangles; letter scales; precision balances; prisms [optics]; downloadable computer software applications; air analysis apparatus; food analysis apparatus; distance measuring apparatus; appliances for measuring the thickness of leather; apparatus for measuring the thickness of skins; speed checking apparatus for vehicles; time recording apparatus; weighing apparatus and instruments; particle accelerators; hemline markers; railway traffic safety appliances; speed measuring apparatus [photography]; invoicing machines; video recorders; fire-extinguishing apparatus; tape recorders; apparatus for changing record player needles; film cutting apparatus; electronic book readers; test tubes; flashing lights [light signals]; electric conductors; electric wires; ducts [electricity]; record players; projection apparatus; projection screens; washing trays [photography]; anti-interference devices [electricity]; electric installations for theft prevention; anti-theft warning apparatus; processors [central processing units]; rods for water diviners; plumb lines; control panels [electricity]; radar apparatus; radiological apparatus for industrial use; radiology screens for industrial use; baby monitors (audio and video devices for monitoring babies); radio pagers; transmitting sets [telecommunication]; radios; vehicle radios; walkie-talkies; radiotelegraphy sets; radiotelephony sets; masts for wireless aerials; frames for photographic transparencies; screens for photoengraving; abacuses; calculating machines; voting machines; resuscitation mannequins [teaching apparatus]; electric regulating apparatus; voltage regulators for vehicles; electric light regulators [dimmers]; stage lighting regulators; speed regulators for record players; cell switches [electricity]; electric resistances; marking gauges [joinery]; T-squares for measuring; electric relays; cell phone straps; X-ray apparatus not for medical use; exposed x-ray films; X-ray tubes not for medical use; X-ray photographs, other than for medical use; rheostats; respirators for filtering air; respiratory masks

other than for artificial respiration; retorts; refractometers; refractors; grids for batteries; downloadable ringtones for mobile telephones; levels [instruments for determining the horizontal]; screw-tapping gauges; humanoid robots with artificial intelligence for scientific research purposes; electric plugs; demagnetizing apparatus for magnetic tapes; distribution boxes [electricity]; distribution consoles [electricity]; distribution boards [electricity]; lightning conductors; slide calipers; mercury levels; circuit closers; diving gloves; gloves for protection against X-rays for industrial use; gloves for protection against accidents; horns for loudspeakers; life-saving apparatus and equipment; safety tarpaulins; life buoys; life jackets; life-saving capsules for natural disasters; life-saving rafts; life belts; subwoofers; whistle alarms; reflective articles for wear for the prevention of accidents; reflective safety vests; photographic lens hoods; blueprint apparatus; light-emitting diodes [LED]; light-emitting electronic pointers; traffic-light apparatus [signaling devices]; sextants; non-explosive fog signals; luminous or mechanical signals; signaling buoys; signal bells; electric alarm bells; signal lanterns; signaling panels, luminous or mechanical; alarms; signaling whistles; simulators for the steering or control of vehicles; sirens; safety nets; nets for protection against accidents; scanners [explorers] [data processing equipment]; smart watches; smart rings; smart glasses; smartphones; salinometers; solenoid valves [electromagnetic switches]; sonars; solar batteries; solar panels for electricity production; spectrograph apparatus; spectrometers; spirit levels; alcohol meters; speed indicators; monitoring apparatus other than for medical use; observation instruments; shutter releases [photography]; stereoscopes; stereoscopic apparatus; head cleaning tapes; stroboscopes; sulfimeters; bags adapted for laptops; satellites for scientific use; satellite navigation apparatus; drying apparatus for photographic prints; drying racks [photography]; spherometers; printed circuits; time clocks [time recording devices]; egg timers [sandglasses]; taximeters; tachometers; television apparatus; telegraphs [apparatus]; telegraph wires; telescopes; teleprompters; teleprinters; telephone apparatus; telephone transmitters; telephone wires; telephone receivers; temperature indicators; labels indicating temperature, other than for medical purposes; theodolites; thermal imaging cameras; heat regulating apparatus; thermo-hygrometers; thermionic tubes; thermionic valves; thermometers, not for medical use; thermostats; thermostats for vehicles; crucibles [laboratory]; pressure measuring apparatus; pressure indicator plugs for valves; security tokens [encryption devices]; tone arms for record players; empty toner cartridges for printers and photocopiers; totalizers; precision measuring apparatus; transistors [electronic]; transmitters [telecommunication]; transponders; protractors [measuring instruments]; transformers [electricity]; step-up transformers; holders for electric coils; tripods for cameras; triodes; Pitot tubes;

urinometers; downloadable image files; downloadable music files; facsimile machines; apparatus and instruments for physics; filters for photography; filters for respiratory masks; filters for ultraviolet rays for photography; wearable activity trackers; USB flash drives; fluorescent screens; cameras [photography]; glazing apparatus for photographic prints; drainers for use in photography; photovoltaic cells; shutters [photography]; enlarging apparatus [photography]; photocopiers; darkrooms [photography]; photometers; flashlights [photography]; phototelegraphy apparatus; spectacle cases; cases for smartphones; containers for microscope slides; cases especially made for photographic apparatus and instruments; wavemeters; chemistry apparatus and instruments; chromatography apparatus for laboratory use; chronographs [time recording apparatus]; laboratory centrifuges; centering apparatus for photographic transparencies; cyclotrons; graduated compasses; digital weather stations; digital signs; digital photo frames; saccharometers; magic lanterns; frequency meters; Petri dishes; chips [integrated circuits]; square rulers for measuring; sleeves for laptops; covers for personal digital assistants [PDAs]; covers for tablet computers; hard covers for smartphones; jigs [measuring instruments]; spectacle cords; riding helmets; retorts' stands; stands for photographic apparatus; sound locating instruments; workmen's protective face-shields; armatures [electricity].

11 – Apparatus and installations for lighting, heating, cooling, steam generating, cooking, drying, ventilating, water supply and sanitary purposes; lamp shades; electric autoclaves for cooking; electric pressure cookers; aquarium lights; aquarium heaters; aquarium filtration apparatus; steam accumulators; heat accumulators; anti-glare devices for vehicles [lamp fittings]; defrosters for vehicles; hot air apparatus; air deodorizing apparatus; loading apparatus for furnaces; apparatus for dehydrating food waste; ionization apparatus for the treatment of air or water; beverage-cooling apparatus; air cooling devices; gas scrubbing apparatus; oil-scrubbing apparatus; desiccating apparatus; tanning beds; coffee roasters; drying apparatus for fodder and forage; hand-drying apparatus for washrooms; water filtering apparatus; steam facial apparatus [saunas]; air purification apparatus and machines; water softening apparatus and installations; lighting apparatus and installations; hydromassage bath apparatus; acetylene generators; acetylene flares; acetylene burners; germicidal lamps for purifying air; barbecues; oil burners; bidets; laundry room boilers; washing coppers; bathtubs; spa baths; electric waffle irons; bicycle lights; fans [air-conditioning]; fans [parts of air-conditioning installations]; electric fans for personal use; ventilation [air-conditioning] installations for vehicles; ventilation [air-conditioning] installations and apparatus; safety lamps; kilns; evaporators; extractor hoods for kitchens; ventilation hoods; ventilation hoods for laboratories; fabric steamers;

pressurized water tanks; whirlpool-jet apparatus; water conduits installations; water intake apparatus; water heaters; water purification installations; water purifying apparatus and machines; water supply installations; water flushing installations; flushing tanks; carbon for arc lamps; gas condensers other than parts of machines; gas boilers; gas burners; gas lamps; gas scrubbers [parts of gas installations]; electric discharge tubes for lighting; hydrants; fairy lights for festive decoration; hearths; rotisseries; hot water bottles; warming pans; foot warmers, electric or non-electric; bed warmers; disinfectant apparatus; disinfectant apparatus for medical use; deodorizing apparatus not for personal use; ornamental fountains; chimney flues; disinfectant apparatus for dispensing solutions into water pipes for sanitary installations; stills; distillation apparatus; distillation columns; arc lamps; showers; shower cubicles; electric appliances for making yogurt; electric lamps; electrically heated carpets; grills [cooking appliances]; malt roasters; roasters; roasting spits; flues for heating boilers; feeding apparatus for heating boilers; immersion heaters; gas lighters; safety accessories for water or gas apparatus and pipes; chimney blowers; humidifiers for central heating radiators; coils [parts of distilling, heating or cooling installations]; furnace ash boxes; drip irrigation emitters [irrigation fittings]; electric coffee machines; heating apparatus; lava rocks for use in barbecue grills; domestic fireplaces; hot air ovens; oxyhydrogen burners; Chinese lanterns; pocket warmers; level controlling valves in tanks; air valves for steam heating installations; electric blankets, not for medical use; furnace grates; air-conditioning apparatus; air conditioners for vehicles; taps for pipes and pipelines; taps; mixer taps for water pipes; radiator caps; portable forges; electric cooking utensils; cooking apparatus and installations; cooking rings; kitchen ranges [ovens]; cookers (cooking stoves); laboratory lamps; laboratory burners; lamps for lighting; curling lamps; light bulbs for directional signals for vehicles; lamp glasses; lamp chimneys; electric lights for Christmas trees; street lamps; standard lamps; lights for automobiles; lanterns for lighting; lights for vehicles; electric flashlights; luminous tubes for lighting; chandeliers; magnesium filaments for lighting; oil lamps; ice-cube machines and apparatus; microwave ovens [cooking apparatus]; microwave ovens for industrial use; freezers; motorcycle lights; multi-cookers; foot muffs, electrically heated; heating apparatus for defrosting windows of vehicles; heating elements; hot plates; heaters for baths; heaters for heating irons; electric heaters for feeding bottles; air reheaters; brackets for gas burners; electric heating filaments; filaments for electric lamps; roasting jacks; heating plates; stoves [heating apparatus]; fumigation apparatus not for medical use; bath fittings; hot air bath fittings; hot water heating installations; heating installations; heaters for vehicles; electric heating apparatus; heating apparatus for solid, liquid or gaseous fuels; heating boilers; kiln

furniture [supports]; lighting installations for air vehicles; light-emitting diode [LED] lighting apparatus; dehumidifiers; coolers for furnaces; electric cool boxes; purification installations for sewage; burners; germicidal burners; burners for lamps; electric food steamers; boilers other than parts of machines; steam boilers, other than parts of machines; pasteurizers; sockets for electric lamps; portable Turkish bath cabinets; electric coffee percolators; dental ovens; ovens, other than for laboratory use; diving lights; plate warmers; urinals; lamp globes; electric heating cushions, not for medical use; automatic watering installations; watering machines for agricultural purposes; polymerization installations; electric tortilla presses; heated display cabinets; electric chocolate fountains; book sterilization apparatus; glue-heating appliances; searchlights; washers for water taps; anti-splash tap nozzles; radiators [heating]; electric radiators; central heating radiators; sinks; refining towers for distillation; heat regenerators; regulating and safety accessories for water apparatus; regulating and safety accessories for gas pipes; regulating accessories for water or gas apparatus and pipes; regulating and safety accessories for gas apparatus; dampers [heating]; lamp reflectors; vehicle reflectors; refrigerators; incandescent burners; expansion tanks for central heating installations; sanitary apparatus and installations; luminous house numbers; lighting apparatus for vehicles; light bulbs; electric light bulbs; light diffusers; toilet seats; bathtubs for sitz baths; incinerators; solar furnaces; solar thermal collectors [heating]; alcohol burners; ceiling lights; sterilizers; water sterilizers; air sterilizers; clean chambers [sanitary installations]; structural plates for ovens; structural framework for ovens; tobacco roasters; fruit roasters; electric laundry dryers; driers [apparatus]; drying apparatus and installations; heat guns; heat exchangers other than parts of machines; thermostatic valves [parts of heating installations]; bread toasters; lampshade holders; pipes [parts of sanitary installations]; boiler pipes [tubes] for heating installations; toilets [WC]; portable toilets; ultraviolet ray lamps not for medical use; wash-hand basins [parts of sanitary installations]; toilet bowls; automatic ash conveyor installations; bath installations; steam generating installations; desalination plants; air conditioning installations; installations for processing nuclear fuel and nuclear moderating material; water cooling installations; milk cooling installations; water distribution installations; sauna bath installations; air filtering installations; swimming pool chlorinating apparatus; flaming torches; flare stacks for use in the oil industry; headlights for automobiles; vehicle headlights; fittings, shaped, for ovens; hair dryers; air filters for air conditioning; filters for drinking water; fountains; friction lighters for igniting gas; electric deep fryers; oven fittings made of fire clay; bread baking machines; bread-making machines; cooling installations for liquids; cooling installations for tobacco; cooling installations and machines; refrigerating appa-



ratus and machines; refrigerating containers; refrigerating chambers; refrigerating display cabinets; refrigerating apparatus and installations; refrigerating cabinets; chromatography apparatus for industrial use; lamp mantles; electric kettles; electric wine cellars; miners' lamps; electrically heated socks; nuclear reactors; bakers' ovens; walk-in refrigerators; lamp casings.

18 – Mountaineering sticks and alpenstocks; Whips; address tags for luggage; gold beaters' skin; suitcases [carrying cases]; trunks [luggage]; curried skins; reins for controlling children; business card cases; compacting modules designed for luggage; boxes of vulcanized fiber; key cases; bits for animals [harness]; bridles [harness]; purses and coin purses; chain mesh purses; reusable shopping bags; parts of rubber for stirrups; traveling trunks; traveling bags; leather labels; chamois leather, other than for cleaning purposes; fastenings for saddles; cat o' nine tails; handbag frames; frames for umbrellas or parasols; attaché cases; wallets; umbrella rings; valves of leather; casings, of leather, for springs; boxes of leather or leatherboard; hat boxes of leather; butts [parts of hides]; kid; saddle trees; saddlery; slings for carrying infants; furniture coverings of leather; haversacks; moleskin [imitation leather]; travel sets [leatherware]; knee-pads for horses; reins; muzzles; collars for animals; halters; vanity cases; leather thread; music cases; harness fittings; clothing for pets; trimmings of leather for furniture; umbrellas; parasols; leather straps; straps for soldiers' equipment; straps for skates; chin straps, of leather; straps of leather [saddlery]; shoulder belts [straps] of leather; horseshoes; pads for horse saddles; beach bags; leashes; covers for horse saddles; covers [clothing] for animals; horse blankets; girths of leather; briefcases [leather goods] and document holders; conference folders; traces [harness]; randsels [Japanese school satchels]; stirrup leathers; umbrella handles; handles for carrying shopping bags; suitcase handles; walking-stick handles; rucksacks [backpacks]; saddlebags; riding saddles; net bags for shopping; cases of leather or leatherboard; umbrella or parasol ribs; sports bags; stirrups; bags [envelopes, pouches] of leather for packaging; bags for climbers; empty tool bags; sling bag for carrying babies; garment bags for travel; wheeled shopping bags; handbags; bags for campers; bags; pouch baby carriers; nose bags [feed bags]; bridoons; umbrella sticks; hiking sticks and trekking sticks; walking sticks; walking-stick seats; tefillin [phylacteries]; harnesses for animals; harness straps; card cases [wallets]; credit card cases [wallets]; horse collars; fur and fur-skins; saddlecloths for horses; suitcases; motorized suitcases; wheeled suitcases; umbrella covers; school bags; imitation leather; unworked or semi-worked leather; leatherboard; animal skins and hides; cattle skins; leather laces; blinders [harness]; game bags.

21 – Household or kitchen utensils and containers; cooking utensils and tableware, except forks, knives and spoons; combs and sponges; brushes, except paintbrushes; cleaning material; unworked or semi-worked glass, except building glass; glassware, porcelain and earthenware; abrasive pads for kitchen purposes; non-electric pressure cookers (autoclaves); non-electric pressure cookers (autoclaves); wine aerators; aerosol dispensers for household or kitchen use, not for medical use; indoor aquariums; incense burners; cotton waste for cleaning; cookie jars; labels for decanters; saucers; demijohns; vases; fruit cups; bird baths; portable baby baths; non-electric waffle irons; epergnes (table centerpieces); carpet beaters [hand instruments]; signboards of porcelain or glass; cookie cutters [kitchenware]; tankards; polishing leather; ice buckets; ice buckets; buckets; tubs; buckets for wringing out mops; buckets made of woven fabrics; brooms; non-electric whisks for household use; towel rails and rings; containers for household or kitchen use; tea caddies; lunch boxes; wool waste for cleaning; water apparatus for cleaning teeth and gums; hair for brushes; furniture dusters; dusting cloths [rags]; cloth for washing floors; polishing cloths; rags [cloths] for cleaning; candle extinguishers; button hooks; cold packs for cooling food and beverages; pitchers; jugs; earthenware; feeding troughs; heads for electric toothbrushes; pottery; pots; decanters; large-toothed combs for the hair; combs for animals; electric combs; combs; make-up sponges; household sponges; deodorizing apparatus for personal use; dripping pans; broom handles; abrasive sponges for scrubbing the skin; smoke absorbers for household use; soap dispensers; boxes for dispensing paper towels; toilet paper dispensers; cutting boards for the kitchen; bread boards; ornaments of porcelain; non-electric kitchen mills; electric devices for attracting and killing insects; plug-in mosquito repellent diffusers; enameled glass, other than that used in construction; scrubbing brushes; chamois leather for cleaning; buckskin for cleaning; closures for pot lids; non-electric beaters; non-electric blenders for household use; toothbrushes; electric toothbrushes; toothpicks; isothermal bags; non-electric coffeepots; manual coffee grinders; non-electric coffee percolators; coffee services; cauldrons; mess-tins; candelabra [candlesticks]; candle holders (candlesticks); stew-pans; earthenware saucepans; rolling pins; flower-pot covers, not of paper; flower pots; ceramic products for household purposes; pastry baking mats; napkin rings; horsehair for brush-making; glue-pots; birdcages; cages for household pets; cleaning tow; shoe trees; boot trees; boxes of glass; cosmetic utensils; spatulas for cosmetic use; waste paper baskets; bread baskets for household use; fitted picnic baskets, including dishes; baskets for household use; droppers for watering flowers and plants; syringes for watering flowers and plants; crystal [glassware]; reusable ice cubes; bulb basters; mugs; non-electric cooking utensils; non-electric cooking pots;

cooking skewers, of metal; cookery molds; kitchen utensils; kitchen gloves; barbecue gloves; plate glass [raw material]; funnels; shoe horns; ice cream scoops; spoons for basting meat [cooking utensils]; kitchen spatulas; pie servers; crumb trays; majolica; butter dishes; brush-making materials; electric or non-electric lint removers; steel wool for cleaning; carpet sweepers; soap boxes; soap holders; bowls; mouse traps; confectioners' decorating bags; hand-operated mills for household use; manual pepper mills; mosaics of glass, not for building; saucepan scourers of metal; fly swatters; fly traps; liqueur sets; spice sets; cooking pot sets; non-electric feeding bottle warmers; pot lids; butter-dish covers; dish covers; cheese-dish covers; aquarium hoods; drinking troughs; nozzles for watering cans; nozzles for sprinkler hoses; knife rests for the table; place mats, not of paper or textile; utensils for household use; toilet cases; dental floss; chamber pots; spouts; washtubs; disposable table plates; opaline glass; opal glass; portable non-electric refrigerating containers; chopsticks; cocktail stirrers; paper plates; non-electric steamers; insect traps; rat traps; kitchen brushes; make-up brushes; mixing spoons [kitchen utensils]; pepper pots; beer mugs; non-electric dusting apparatus; nest eggs, artificial; cabarets [serving trays]; trays for household use; lazy susans [kitchenware]; paper trays for household use; trivets [table utensils]; holders for plants [flower arrangements]; decanter coasters, neither of paper nor of textile materials; shaving brush holders; flat-iron stands; grill supports; egg cups; place mats, neither made of paper nor of textile materials; feather dusters; plates to prevent milk boiling over; cruets; bottles; drinking bottles; busts of porcelain, ceramic, earthenware, terracotta or glass; non-electric kitchen grinders; scouring pads; rings for birds; poultry rings; watering cans; watering implements; non-electric polishing apparatus and machines for household use; polishing materials [for making shiny] excluding preparations, paper and stone; apparatus for wax-polishing [non-electric]; wax-polishing appliances, non-electric, for shoes; polishing gloves; shaving brushes; porcelain ware; dishes; vegetable dishes; refrigerating bottles; drinking vessels; glass jars [carboys]; non-electric ice cream makers; washing boards; ironing boards; tie presses; tortilla presses, non-electric [kitchen utensils]; non-electric fruit presses for household use; trouser presses; cruet sets for oil and vinegar; make-up removing apparatus; bottle openers, electric and non-electric; boot jacks; glove stretchers; mop wringers; clothing stretchers; pot holders (oven gloves); clothes pegs; plungers for clearing blocked drains; stoppers of glass; glass caps; cinder sifters [household utensils]; empty powder compacts; perfume sprayers; powder puffs; sifters [household utensils]; pastry cutters [baker's knives]; drinking horns; sprinklers; foam toe separators for use in pedicures; fused silica [semi-worked product], other than for building; household gloves; gloves for washing cars; noodle-making appa-

ratus [hand implements]; gardening gloves; salad bowls; piggy banks; candle jars [holders]; candle rings; non-electric egg separators for household use; services [dishes]; serving ladles; sieves [household utensils]; siphon bottles for carbonated water; salt cellars; coin banks (piggy banks); glass for vehicle windows [semi-finished product]; glass incorporating fine electrical conductors; unworked or semi-worked glass, except building glass; glass wool other than for insulation; vitreous silica fibers not for textile use; fiberglass other than for insulation or textile use; fiberglass threads, other than for textile use; painted glass; powdered glass for decoration; glass vials [containers]; glass flasks [containers]; glasses [receptacles]; drinking glasses; frying pans; grills [cooking utensils]; camping grills [cooking utensils]; curry-combs; non-electric deep fryers; scoops for household use; drinking straws; straws for drinking; statues of porcelain, ceramic, earthenware, terracotta or glass; tableware; table plates; kitchen mortars; soup bowls; drying racks for laundry; basins [receptacles]; art objects made of porcelain, ceramic, earthenware, terracotta or glass; indoor terrariums [vivariums]; indoor terrariums [plant cultivation]; heat-insulated containers; heat-insulated containers for beverages; thermally insulated containers for food; insulating flasks; non-electrically heated hot pots; kitchen graters; kitchen pestles; sponge holders; toothpick holders; toilet paper holders; menu card holders; table napkin holders; toilet sponges; litter boxes (trays) for pets; toilet brushes; tea cosies; urns for household or kitchen use; figurines of porcelain, ceramic, earthenware, terracotta or glass; non-electric coffee filters; flasks; pocket flasks; molds [kitchen utensils]; cake molds; ice molds; comb cases; bread bins; strainers for household use; candy boxes; sugar bowls; garlic presses [kitchen utensils]; teapots; non-electric kettles; tea services; tea infusers; tea strainers; cups; cups of paper or plastic; ladles for wine; hand-operated cleaning instruments; ironing board covers; mops; mixers for beverages [shakers]; corkscrews, electric and non-electric; pig bristles for brush-making; animal bristles [brushware]; ice-cube tongs; nutcrackers; salad tongs; sugar tongs; shoe brushes; horse brushes; lamp-glass brushes; long handled tar-brushes; dishwashing brushes; waxing brushes; brushes for cleaning tanks and containers; electric brushes, except parts of machines; brushes; brush goods; eyebrow brushes; eyelash brushes; nail brushes; window-boxes; mangers for animals; dustbins; garbage cans; refuse bins for household use; trash cans.

---

(260) AM 2024 123115 A  
(800) 1732309  
(151) 2022 11 29  
(891) 2022 11 29  
(731) Egis Gyógyszergyár Zrt.

Keresztúri út 30-38., H-1106 Budapest,  
Hungary

(540)

**XIVALIA**

(591) Black, white

(511)

5 – Pharmaceutical preparations for human use; dietetic substances adapted for medical use; dietary supplements.

(260) AM 2024 123116 A

(800) 1732314

(151) 2023 01 27

(891) 2023 01 27

(731) TŪMOSAN MOTOR VE TRAKTÖR SANAYİ ANONİM ŞİRKETİ  
MALTEPE MAH. LONDRA ASFALTI CAD.,  
TŪMOSAN 28 1 Zeytinburnu, İstanbul,  
Türkiye

(540)



**TŪMOSAN**

(591) Red, white

(531) 01.01.01; 01.01.02; 01.01.10; 26.01.03;  
26.01.13; 29.01.12

(511)

7 – Machines, machine tools and industrial robots for processing and shaping wood, metals, glass, plastics and minerals; 3D printers; construction machines and robotic mechanisms (machines) for use in construction; bulldozers, diggers (machines), excavators, road construction and road paving machines, drilling machines, rock drilling machines, road sweeping machines; lifting, loading and transmission machines and robotic mechanisms (machines) for lifting, loading and transmission purposes; elevators, escalators and cranes; machines and robotic mechanisms (machines) for use in agriculture and animal breeding, machines and robotic mechanisms (machines) for processing cereals, fruits, vegetables and food; machines for preparing and processing beverages; engines and motors, other than for land vehicles, parts and fittings thereof; hydraulic and pneumatic controls for engines and motors, brakes other than for vehicles, brake linings for engines, crankshafts, gearboxes, other than for land vehicles, cylinders for engines, pistons for engines, turbines, not for land vehicles, filters for engines and motors, oil, air and fuel filters for land vehicle engines, exhausts for land vehicle engines, exhaust manifolds for land vehicle engines, engine cylinders for land vehicles, engine cylinder heads for land vehicles, pistons for land vehicle engines, carburetors for land vehicles, fuel conversion apparatus for land vehicle

engines, injectors for land vehicle engines, fuel economisers for land vehicle engines, pumps for land vehicle engines, valves for land vehicle engines, starter motors for land vehicles, dynamos for land vehicle engines, sparking plugs for land vehicle engines; bearings (parts of machines), roller or ball bearings; machines for mounting and detaching tires; alternators, current generators, electric generators, current generators operated with solar energy; painting machines, automatic spray guns for paint, electric, hydraulic and pneumatic punching machines and guns, electric adhesive tape dispensers [machines], electric guns for compressed gas or liquid spraying machines, electric hand drills, electric hand saws, electric jigsaw machines, spiral machines, compressed air machines, compressors (machines), vehicle washing installations, industrial robots with the abovementioned functions; electric and gas-operated welding apparatus, electric arc welding apparatus, electric soldering apparatus, electric arc cutting apparatus, electrodes for welding machines, industrial robots (machines) with the abovementioned functions; printing machines; packaging machines, filling, plugging and sealing machines, labellers (machines), sorting machines, industrial robots (machines) with the abovementioned functions, electric packing machines for plugging and sealing of plastics; machines for textile processing, sewing machines, industrial robots (machines) with the abovementioned functions; fuel dispensing pumps for service stations, self-regulating fuel pumps; electric kitchen machines for chopping, grinding, crushing, mixing and mincing foodstuff, washing machines, laundry washing machines, dishwashers, spin driers (not heated), electric cleaning machines for cleaning floors, carpets or floorings, vacuum cleaners and parts thereof; galvanizing and electroplating machines; electric door openers and closers.

12 – Motor land vehicles, motorcycles, mopeds; engines and motors for land vehicles; clutches for land vehicles; transmissions, transmission belts and transmission chains for land vehicles; gearing for land vehicles; brakes, brake discs and brake linings for land vehicles; vehicle chassis, automobile bonnets, vehicle suspension springs, shock absorbers for automobiles, gearboxes for land vehicles, steering wheels for vehicles, rims for vehicle wheels; bicycles and their bodies; handlebars and mudguards for bicycles; vehicle bodies; tipping bodies for trucks; trailers for tractors; frigorific bodies for land vehicles; trailer hitches for vehicles; vehicle seats; head-rests for vehicle seats; safety seats for children, for vehicles; seat covers for vehicles; vehicle covers (shaped); sun-blinds adapted for vehicles; direction signals and arms for direction signals for vehicles; windscreen wipers and wiper arms for vehicles; inner tubes and tires for vehicle wheels; tubeless tires; tire-fixing sets comprised of tire patches and tire valves for vehicles; windows for vehicles, safety windows for vehicles, rearview mirrors and wing mirrors for vehicles; anti-skid chains

for vehicles; luggage carriers for vehicles; bicycle and ski carriers for cars; saddles for bicycles or motorcycles; air pumps for vehicles, for inflating tires; anti-theft alarms for vehicles, horns for vehicles; safety belts for vehicle seats, air bags (safety devices for automobiles); baby carriages, wheelchairs, pushchairs; wheelbarrows; shopping carts; single or multi-wheeled wheelbarrows; shopping trolleys; grocery carts; handling carts; rail vehicles; locomotives; trams; trams; waggons; cable cars; chairlifts; vehicles for locomotion by water and their parts, other than their motors and engines; vehicles for locomotion by air and their parts, other than their motors and engines.

35 – Advertising, marketing and public relations; organization of exhibitions and trade fairs for commercial or advertising purposes; development of advertising concepts; provision of an online marketplace for buyers and sellers of goods and services; office functions; secretarial services; arranging newspaper subscriptions for others; compilation of statistics; rental of office machines; systemization of information into computer databases; telephone answering for unavailable subscribers; business management, business administration and business consultancy; accounting; commercial consultancy services; personnel recruitment, personnel placement, employment agencies, import-export agencies; temporary personnel placement services; auctioneering; the bringing together, for the benefit of others, of a variety of goods, namely, chemicals used in industry, science, photography, agriculture, horticulture and forestry, manures and soils, unprocessed artificial resins and unprocessed plastics, fire extinguishing compositions, adhesives not for medical, household and stationery purposes, paints, varnishes, lacquers, preservatives against rust, preservatives against deterioration of wood, thinners and binders for paints, pigments, preservatives for metals, shoe dyes, printing dyes and ink, toners (including filled toner cartridges), colorants for food, pharmaceuticals and beverages, raw natural resins, metals in foil and powder form for painters, decorators, printers and artists, bleaching and cleaning preparations, detergents other than for use in manufacturing operations and for medical purposes, laundry bleach, fabric softeners for laundry use, stain removers, dishwasher detergents, perfumery, non-medicated cosmetics, fragrances, deodorants for personal use and animals, soaps, dental care preparations, dentifrices, denture polishes, tooth whitening preparations, mouth washes, not for medical purposes, abrasive preparations, emery cloth, sandpaper, pumice stone, abrasive pastes, polishing preparations for leather, vinyl, metal and wood, polishes and creams for leather, vinyl, metal and wood, wax for polishing, industrial oils and greases, cutting fluids, dust absorbing, wetting and binding compositions, solid fuels, coal, firewood, liquid and gas fuels, petrol, diesel oil, liquified petroleum gas, natural gas, fuel oil and their non-chemical additives, candles, wicks, semi-finished wax, wax and pa-

raffin for lighting purposes, electrical energy, pharmaceutical and veterinary preparations for medical purposes, chemical preparations for medical and veterinary purposes, chemical reagents for pharmaceutical and veterinary purposes, medicated cosmetics, dietary supplements for pharmaceutical and veterinary purposes, dietary supplements, nutritional supplements, medical preparations for slimming purposes, food for babies, herbs and herbal beverages adapted for medicinal purposes, dental preparations and articles, teeth filling material, dental impression material, dental adhesives and material for repairing teeth, sanitary preparations for medical use, hygienic pads, hygienic tampons, plasters, materials for dressings, diapers made of paper and textiles for babies, adults and pets, preparations for destroying vermin, herbicides, fungicides, preparations for destroying rodents, deodorants, other than for human beings or for animals, air purifying preparations, air deodorising preparations, disinfectants, antiseptics, detergents for medical purposes, medicated soaps, disinfectant soaps, antibacterial hand lotions, ores of non-precious metal, common metals and their alloys and semi-finished products made of these materials, irons for construction, mats and stirrups of common metals for buildings, common metals in the form of plate, billet, stick, profile, sheet and sheeting, goods and materials of common metal used for storage, wrapping, packaging and sheltering purposes, containers of metal (storage, transport), buildings of metal, frames of metal for building, poles of metal for building, metal boxes, packaging containers of metal, aluminium foil, fences made of metal, guard barriers of metal, metal tubes, storage containers of metal, metal containers for the transportation of goods, ladders of metal, goods of common metal for filtering and sifting purposes, doors, windows, shutters, jalousies and their cases and fittings of metal, non-electric cables and wires of metal, ironmongery, small hardware of metal, screws of metal, nails, bolts of metal, nuts of metal, pegs of metal, flakes of metal, pitons of metal, metal chains, furniture casters of metal, fittings of metal for furniture, industrial metal wheels, door handles of metal, window handles of metal, hinges of metal, metal latches, metal locks, metal keys for locks, metal rings for carrying keys, metal pulleys, ventilation ducts, vents, vent covers, pipes, chimney caps, manhole covers, grilles of metal for ventilation, heating, sewage, telephone, underground electricity and air conditioning installations, metal panels or boards (non-luminous and non-mechanical) used for signalling, route showing, publicity purposes, signboards of metal, advertisement columns of metal, signaling panels of metal, non-luminous and non-mechanical traffic signs of metal, pipes of metal for transportation of liquids and gas, drilling pipes of metal and their metal fittings, valves of metal, couplings of metal for pipes, elbows of metal for pipes, clips of metal for pipes, connectors of metal for pipes, safes (strong boxes) of metal, metal railway materials, metal rails,

metal railway ties, railway switches, bollards of metal, floating docks of metal, mooring buoys of metal, anchors, metal moulds for casting, other than machine parts, works of art made of common metals or their alloys, trophies of common metal, metal closures, bottle caps of metal, metal poles, metal pillars, scaffolding of metal, metal stakes, metal towers, metal pallets and metal ropes for lifting, loading and transportation purposes, metal hangers, ties, straps, tapes and bands used for load-lifting and load-carrying, wheel chocks made primarily of metal, metal profile laths for vehicles for the purposes of decoration, machines, machine tools and industrial robots for processing and shaping wood, metals, glass, plastics and minerals, 3D printers, construction machines and robotic mechanisms (machines) for use in construction, bulldozers, diggers (machines), excavators, road construction and road paving machines, drilling machines, rock drilling machines, road sweeping machines, lifting, loading and transmission machines and robotic mechanisms (machines) for lifting, loading and transmission purposes, elevators, escalators and cranes, machines and robotic mechanisms (machines) for use in agriculture and animal breeding, machines and robotic mechanisms (machines) for processing cereals, fruits, vegetables and food, machines for preparing and processing beverages, engines and motors, other than for land vehicles, parts and fittings therefor, hydraulic and pneumatic controls for engines and motors, brakes other than for vehicles, brake linings for engines, crankshafts, gearboxes, other than for land vehicles, cylinders for engines, pistons for engines, turbines, not for land vehicles, filters for engines and motors, oil, air and fuel filters for land vehicle engines, exhausts for land vehicle engines, exhaust manifolds for land vehicle engines, engine cylinders for land vehicles, engine cylinder heads for land vehicles, pistons for land vehicle engines, carburetors for land vehicles, fuel conversion apparatus for land vehicle engines, injectors for land vehicle engines, fuel economisers for land vehicle engines, pumps for land vehicle engines, valves for land vehicle engines, starter motors for land vehicles, dynamos for land vehicle engines, sparking plugs for land vehicle engines, bearings (parts of machines), roller or ball bearings, machines for mounting and detaching tires, alternators, current generators, electric generators, current generators operated with solar energy, painting machines, automatic spray guns for paint, electric, hydraulic and pneumatic punching machines and guns, electric adhesive tape dispensers [machines], electric guns for compressed gas or liquid spraying machines, electric hand drills, electric hand saws, electric jigsaw machines, spiral machines, compressed air machines, compressors (machines), vehicle washing installations, industrial robots with the abovementioned functions, electric and gas-operated welding apparatus, electric arc welding apparatus, electric soldering apparatus, electric arc cutting apparatus, electrodes for welding machines, industrial robots

(machines) with the abovementioned functions, printing machines, packaging machines, filling, plugging and sealing machines, labellers (machines), sorting machines, industrial robots (machines) with the abovementioned functions, electric packing machines for plugging and sealing of plastics, machines for textile processing, sewing machines, industrial robots (machines) with the abovementioned functions, fuel dispensing pumps for service stations, self-regulating fuel pumps, electric kitchen machines for chopping, grinding, crushing, mixing and mincing foodstuff, washing machines, laundry washing machines, dishwashers, spin driers (not heated), electric cleaning machines for cleaning floors, carpets or floorings, vacuum cleaners and parts thereof, automate vending machines, galvanizing and electroplating machines, electric door openers and closers, gaskets for engines and motors, forks, spoons, knives and non-electric cutters, slicers, peelers for kitchen use, including those made of precious metals, side arms and blades (weapons), tools and apparatus for personal beauty care use, tools and apparatus for shaving, depilation, manicure and pedicure, electric hand implements for straightening and curling hair, scissors, hand-operated [non-electric] hand tools for the repair of machines, apparatus and vehicles and for use in construction, agriculture, horticulture and forestry, none of them being power tools, electric or non-electric irons, steam irons, handles for hand-operated hand tools, measurement apparatus and equipment including those for scientific, nautical, topographic, meteorologic, industrial and laboratory purposes, thermometers, not for medical purposes, barometers, ammeters, voltmeters, hygrometers, testing apparatus not for medical purposes, telescopes, periscopes, directional compasses, speed indicators, laboratory apparatus, microscopes, magnifying glasses, stills, binoculars, ovens and furnaces for laboratory experiments, apparatus for recording, transmission or reproduction of sound or images, cameras, photographic cameras, television apparatus, video recorders, CD and DVD players and recorders, MP3 players, computers, desktop computers, tablet computers, wearable technological devices (smart watches, wristbands, head-mounted devices) microphones, loudspeakers, earphones, telecommunications apparatus, apparatus for the reproduction of sound or images, computer peripheral devices, cell phones, covers for cell phones, telephone apparatus, computer printers, scanners [data processing equipment], photocopiers, magnetic and optical data carriers and computer software and programmes recorded thereto, downloadable and recordable electronic publications, encoded magnetic and optical cards, movies, tv series and video music clips recorded on magnetic, optical and electronic media, antennas, satellite antennas, amplifiers for antennas, parts of the aforementioned goods, ticket dispensers, automatic teller machines (ATM), electronic components used in the electronic parts of machines and apparatus, semi-conductors, electronic cir-

cuits, integrated circuits, chips (integrated circuits), diodes, transistors [electronic], magnetic heads for electronic apparatus, electronic locks, photocells, remote control apparatus for opening and dosing doors, optical sensors, counters and quantity indicators for measuring the quantity of consumption, automatic time switches, clothing for protection against accidents, irradiation and fire, safety vests and life-saving apparatus and equipment, eyeglasses, sunglasses, optical lenses and cases, containers, parts and components thereof, apparatus and instruments for conducting, transforming, accumulating or controlling electricity, electric plugs, junction boxes [electricity], electric switches, circuit breakers, fuses, lighting ballasts, battery starter cables, electrical circuit boards, electric resistances, electric sockets, transformers (electricity), electrical adapters, battery chargers, electric door bells, electric and electronic cables, batteries, electric accumulators, solar panels for production of electricity, alarms and anti-theft alarms, other than for vehicles, electric bells, signalling apparatus and instruments, luminous or mechanical signs for traffic use, fire extinguishing apparatus, fire engines, fire hose and fire hose nozzles, radar apparatus, sonars, night vision apparatus and instruments, decorative magnets, metronomes, surgical, medical, dental and veterinary apparatus and instruments, furniture especially made for medical purposes, artificial limbs and prostheses, medical orthopaedic articles, corsets for medical purposes, orthopaedic shoes, elastic bandages and supportive bandages, surgical gowns and surgical sterile sheets, adult sexual aids, condoms, babies' bottles, babies' pacifiers, teats, gum massagers for babies, bracelets and rings for medical purposes, anti-rheumatism bracelets, anti-rheumatism rings, lighting installations, lights for vehicles and interior-exterior spaces, heating installations using solid, liquid or gas fuels or electricity, central heating boilers, boilers for heating installations, radiators [heating], heat exchangers, not parts of machines, stoves, kitchen stoves, solar thermal collectors [heating], steam, gas and fog generators, steam boilers, other than parts of machines, acetylene generators, oxygen generators, nitrogen generators, installations for air-conditioning and ventilating, cooling installations and freezers, electric and gas-powered devices, installations and apparatus for cooking, drying and boiling, cookers, electric cooking pots, electric water heaters, barbecues, electric laundry driers, hair driers, hand drying apparatus, sanitary installations, taps [faucets], shower installations, toilets [water-closets], shower and bathing cubicles, bath tubs, toilet seats, sinks, wash-hand basins [parts of sanitary installations], washers for water taps, stuffings (tap valves), water softening apparatus, water purification apparatus, water purification installations, waste water purification installations, electric bed warmers and electric blankets, not for medical use, electric pillow warmers, electric or non-electric footwarmers, hot water bottles, electrically heated socks, fil-

ters for aquariums and aquarium filtration apparatus, industrial type installations for cooking, drying and cooling purposes, pasteurizers and sterilizers, motor land vehicles, motorcycles, mopeds, engines and motors for land vehicles, clutches for land vehicles, transmissions, transmission belts and transmission chains for land vehicles, gearing for land vehicles, brakes, brake discs and brake linings for land vehicles, vehicle chassis, automobile bonnets, vehicle suspension springs, shock absorbers for automobiles, gearboxes for land vehicles, steering wheels for vehicles, rims for vehicle wheels, bicycles and their bodies, handlebars and mudguards for bicycles, vehicle bodies, tipping bodies for trucks, trailers for tractors, frigorific bodies for land vehicles, trailer hitches for vehicles, vehicle seats, head rests for vehicle seats, safety seats for children, for vehicles, seat covers for vehicles, vehicle covers (shaped), sun-blinds adapted for vehicles, direction signals and arms for direction signals for vehicles, windscreen wipers and wiper arms for vehicles, inner tubes and tires for vehicle wheels, tubeless tires, tire-fixing sets comprised of tire patches and tire valves for vehicles, windows for vehicles, safety windows for vehicles, rearview mirrors and wing mirrors for vehicles, anti-skid chains for vehicles, luggage carriers for vehicles, bicycle and ski carriers for cars, saddles for bicycles or motorcycles, air pumps for vehicles, for inflating tires, anti-theft alarms for vehicles, horns for vehicles, safety belts for vehicle seats, air bags (safety devices for automobiles), baby carriages, wheelchairs, pushchairs, wheelbarrows, shopping carts, single or multi-wheeled wheelbarrows, shopping trolleys, grocery carts, handling carts, rail vehicles, locomotives, trains, trams, waggons, cable cars, chairlifts, vehicles for locomotion by water and their parts, other than their motors and engines, vehicles for locomotion by air and their parts, other than their motors and engines, firearms, air pistols (weapons), spring-loaded firearms, adapted cases and shoulder straps therefor, heavy weapons, mortars and rockets, fireworks, sprays for personal defence purposes, jewellery, imitation jewellery, gold, precious stones and jewellery made thereof, cufflinks, tie pins, statuettes and figurines of precious metal, clocks, watches and chronometrical instruments, chronometers and their parts, watch straps, trophies made of precious metal, rosaries, musical instruments and cases for musical instruments, paper and cardboard, paper and cardboard for packaging and wrapping purposes, cardboard boxes, paper towels, toilet paper, paper napkins, plastic materials for packaging and wrapping purposes, printing blocks and types, bookbinding material, printed publications, printed matter, books, magazines, newspapers, bill books, printed dispatch notes, printed vouchers, calendars, posters, photographs (printed), paintings, stickers (stationery), postage stamps, stationery, office stationery, instructional and teaching material [except furniture and apparatus], writing and drawing implements, artists' materials,

paper products for stationery purposes, adhesives for stationery purposes, pens, pencils, erasers, adhesive tapes for stationery purposes, cardboard cartons [artists' materials], writing paper, copying paper, paper rolls for cash registers, drawing materials, chalkboards, painting pencils, watercolors [paintings], office requisites, paint rollers and paintbrushes for painting, rubber, gutta-percha, gum, asbestos, mica and semi-finished synthetic goods made from these materials in the form of powder, bars, panels and foils, insulation, stopping and sealing materials, insulating paints, insulating fabrics, insulating tape and band, insulation covers for industrial machinery, joint sealant compounds for joints, gaskets, O-rings for sealing purposes (other than gaskets for motors, cylinders and washer for water taps), flexible pipes made from rubber and plastic, hoses made of plastic and rubber, including those used for vehicles, junctions for pipes of plastic and rubber, pipe jackets of plastic and rubber, hoses of textile material, junctions for pipes, not of metal, pipe jackets, not of metal, connecting hose for vehicle radiators, profile laths made of synthetic materials for vehicles for the purposes of decoration, unworked or semi-worked leather and animal skins, imitations of leather, stout leather, leather used for linings, goods made of leather, imitations of leather or other materials, designed for carrying items, bags, wallets, boxes and trunks made of leather or stout leather, keycases, trunks [luggage], suitcases, umbrellas, parasols, sun umbrellas, walking sticks, whips, harness, saddlery, stirrups, straps of leather (saddlery), sand, gravel, crushed stone, asphalt, bitumen, cement, gypsum, plaster, concrete, marble blocks for construction, building materials (as finished products) made of concrete, gypsum, clay, potters' clay, stone, marble, wood, plastics and synthetic materials for building, construction, road construction purposes, non-metallic buildings, non-metallic building materials, poles, not of metal for power lines, barriers not of metal, natural and synthetic coverings in the form of panels and sheets, being building materials, bitumen cardboard for roofing, bitumen covering for roofing, doors and windows of wood and synthetic materials, traffic signs not of metal, non-luminous and non-mechanical, for roads, monuments and statuettes of stone, concrete and marble, building glass, prefabricated swimming pools not of metal (structures), aquarium sand, furniture, made of any kind of material, mattresses, pillows, air mattresses and cushions, not for medical purposes, water beds, mirrors, beehives, artificial honeycombs and sections of wood for honeycombs, bouncing chairs for babies, playpens for babies, cradles, infant walkers, display boards, frames for pictures and paintings, identity plates, identification bracelets, name plates, identification tags, made of wood or synthetic materials, packaging containers of wood or plastics, casks for use in transportation or storage, barrels, storage drums, tanks, boxes, storage containers, transportation containers, chests, loading pallets and closu-

res for the aforementioned goods, of wood or plastics, small hardware goods of wood or synthetic materials, furniture fittings, of wood or synthetic materials, opening and closing mechanisms of wood or synthetic materials, ornaments and decorative goods of wood, cork, reed, cane, wicker, horn, bone, ivory, whalebone, shell, amber, mother-of-pearl, meerschaum, beeswax, plastic or plaster namely figurines, holiday ornaments for walls, sculptures, trophies, baskets, not of metal, fishing baskets, kennels, nesting boxes and beds for household pets, portable ladders and mobile boarding stairs of wood or synthetic materials, bamboo curtains, roller indoor blinds [for interiors], slatted indoor blinds, vertical indoor blinds, bead curtains for decoration, curtain hooks, curtain rings, curtain tie-backs, curtain rods, non-metal wheel chocks, hand operated non-electric cleaning instruments and appliances, brushes, except paintbrushes, steel chips for cleaning, sponges for cleaning, steel wool for cleaning, cloths of textile for cleaning, gloves for dishwashing, non-electric polishing machines for household purposes, brooms for carpets, mops, toothbrushes, electric toothbrushes, dental floss, shaving brushes, hair brushes, combs, non-electric household or kitchen utensils, (other than forks, knives, spoons), services [dishes], pots and pans, bottle openers, flower pots, drinking straws, non-electric cooking utensils, ironing boards and shaped covers therefor, drying racks for washing, clothes drying hangers, cages for household pets, indoor aquariums, vivariums and indoor terrariums for animals and plant cultivation, ornaments and decorative goods of glass, porcelain, earthenware or clay namely statues, figurines, vases and trophies, mouse traps, insect traps, electric devices for attracting and killing flies and insects, fly catchers, fly swatters, perfume burners, perfume sprayers, perfume vaporizers, electric or non-electric make-up removing appliances, powder puffs, toilet cases, nozzles for sprinkler hose, nozzles for watering cans, watering devices, garden watering cans, unworked or semi-worked glass, except building glass, mosaics of glass and powdered glass for decoration, except for building, glass wool other than for insulation or textile use, ropes, strings, rope ladders, hammocks, fishing nets, tents, awnings, tarpaulins, sails, vehicle covers, not fitted, bags of textile, for packaging, padding and stuffing materials, except of rubber and plastics, including those of wool and cotton, synthetic fibers for textile use, raw spun fiber, glass fibers for textile use, yarns and threads for textile use, threads and yarns for sewing, embroidery and knitting, thread, elastic yarns and threads for textile use, woven or non-woven textile fabrics, textile goods for household use, curtains, bed covers, sheets (textile), pillowcases, blankets, quilts, towels, flags, pennants, labels of textile, swaddling blankets, sleeping bags for camping, clothing, including underwear and outer clothing, other than special purpose protective clothing, socks, mufflers [clothing], shawls, bandanas, scarves, belts [clothing]

hing], footwear, shoes, slippers, sandals, headgear, hats, caps with visors, berets, caps [headwear], skull caps, laces and embroidery, guipure lace, festoons, ribbons (haberdashery), ribbons and braid, reinforcing tapes for clothing, cords for clothing, letters and numerals for marking linen, embroidered emblems, badges for wear, not of precious metal, shoulder pads for clothing, buttons for clothing, fastenings for clothing, eyelets for clothing, zippers, buckles for shoes and belts, rivet buttons, adhesive tapes [haberdashery], fasteners, pins, other than jewellery, needles, sewing needles, needles for sewing machines, lacing needles, needles for knitting and embroidery, boxes for needles, needle cushions, artificial flowers, artificial fruits, hair pins, hair buckles, hair bands, decorative articles for the hair, not made of precious metal, wigs, hair extensions, electric or non-electric hair curlers, other than hand implements, carpets, rugs, mats, prayer rugs, linoleum, artificial turf, linoleum for covering floors, gymnasium mats, wallpaper, wall hangings not of textile, games and toys, arcade video game machines, game apparatus and machines for use with an external display screen and monitor, including those coin-operated, toys for animals, toys for outdoor playgrounds, parks and game parks, gymnastic and sporting articles, fishing tackle, artificial fishing bait, decoys for hunting and fishing, artificial Christmas trees, ornaments for Christmas trees, artificial snow for Christmas trees, rattles (playthings), novelties for parties, novelty toys for playing jokes and for parties, paper party hats, meat, fish, poultry and game, processed meat products, dried pulses, soups, bouillon, processed olives, olive paste, milks of animal origin, milks of herbal origin, milk products, butter, edible oils, dried, preserved, frozen, cooked, smoked or salted fruits and vegetables, tomato paste, prepared nuts and dried fruits as snacks, hazelnut spreads and peanut butter, tahini (sesame seed paste), eggs and powdered eggs, potato chips, coffee, cocoa, coffee or cocoa based beverages, chocolate based beverages, pasta, stuffed dumplings, noodles, pastries and bakery products based on flour, desserts based on flour and chocolate, bread, simit [Turkish ring-shaped bagel covered with sesame seeds], poğaça [Turkish bagel], pita, sandwiches, katmer [Turkish pastry], pies, cakes, baklava [Turkish dessert based on dough coated with syrup], kadayıf [Turkish dessert based on dough], desserts based on dough coated with syrup, puddings, custard, kazandibi [Turkish pudding], rice pudding, keşkül [Turkish pudding], honey, bee glue for human consumption, propolis for food purposes, condiments for foodstuff, vanilla (flavoring), spices, sauces (condiments), tomato sauce yeast, baking powder flour, semolina, starch for food, sugar, cube sugar, powdered sugar, tea, iced tea, confectionery, chocolate, biscuits, crackers, wafers, chewing gums, ice-cream, edible ices, salt, cereal-based snack food, popcorn, crushed oats, corn chips, breakfast cereals, processed wheat for human consumption, crushed barley for human

consumption, processed oats for human consumption, processed rye for human consumption, rice, molasses for food, agricultural and horticultural products, seeds, forestry products, live animals, fertilized eggs for hatching, plants, dried plants for decoration, fresh garden herbs, dried garden herbs for decoration, animal foodstuffs, malt not for human consumption, underlays for pets, cat litters, beers, preparations for making beer, mineral water, spring water, table water, soda water, fruit juices and vegetable juices [beverages], fruit and vegetable concentrates for making beverages and non-alcoholic fruit extracts for making beverages, soft drinks, energy drinks, protein-enriched sports beverages alcoholic beverages (except beers), wines, raki [traditional Turkish alcoholic drink], whiskey, liqueurs, alcoholic cocktails, tobacco, chewing tobacco, cigarettes, cigars, smokers' articles including those made of precious metals, pipes, mouthpieces for cigars and cigarettes, ashtrays, tobacco boxes, pocket apparatus for rolling cigarettes, cigarette paper, tobacco pipes, firestones, lighters for smokers, electronic cigarettes and their cartridges, matches, enabling customers to conveniently view and purchase those goods, such services may be provided by retail stores, wholesale outlets, by means of electronic media or through mail order catalogues.

37 – Construction services, rental of construction machines and equipment; cleaning services for buildings (interior and exterior), public areas, industrial premises; disinfecting, vermin exterminating, other than for agriculture, aquaculture, horticulture and forestry; rental of cleaning machines and equipment; vehicles service stations for land vehicles, maintenance, repair and refueling of land vehicles; vehicles service stations for marine vehicles, maintenance, repair and refueling of marine vehicles; repair and maintenance of air vehicles; upholstery, repair and restoration of furniture; installation, maintenance and repair of heating, cooling and sanitary installations; cleaning, maintenance and repair of clothing; installation, maintenance and repair of industrial machines and equipment, office machines and equipment, communication apparatus, electric and electronic appliances; repair and maintenance of lifts; clock and watch repair; mining extraction services; repair of shoes, bags and belts.

(260) AM 2024 123124 A

(800) 1732360

(151) 2023 04 07

(891) 2023 04 07

(731) Henkel AG & Co. KgaA

Henkelstrasse 67, 40589 Düsseldorf, Germany

(540)

**Люминанс**

(591) Black, white

(531) 28.05



(511)

3 – Non-medicated cosmetics and toiletry preparations; preparations for the conditioning, cleaning, tinting, dyeing, bleaching, fixing and waving of hair, hair lotions and shampoos for cosmetic purposes.

(260) AM 2024 123137 A

(800) 1732632

(151) 2023 03 14

(891) 2023 03 14

(731) Oy Shaman Spirits Ltd

Tehtaantie 5, FI-91800 Tyrnävä,  
Finland

(540)



(591) Blue and green

(531) 25.12.03; 26.13.01; 26.15.25; 27.05.08;  
29.01.12

(511)

33 – Alcoholic beverages (except beer).

(260) AM 2024 123138 A

(800) 1732656

(151) 2023 04 16

(891) 2023 04 16

(731) VESALE BIOSCIENCE, SRL

Rue Louis Allaert 9, B-5310 Eghezee, Belgium

(540)



(591) Black, white

(531) 17.02.02; 26.15.15; 26.15.25; 27.05.01;  
27.05.08; 27.05.09

(511)

5 – Pharmaceutical and veterinary preparations, medical and veterinary preparations for medical or veterinary diagnostic purposes; medical sanitary preparations for medical or veterinary diagnostic purposes; reagents for analyses for medical or veterinary purposes; chemical preparations for use in analysis for medical or veterinary purposes; diagnostic preparations for medical and veterinary purposes; diagnostic reagents for medical and veterinary use; clinical diagnostic reagents; diagnostic preparations and materials; diagnostic agents for medical, veterinary, pharmaceutical or pharmacological purposes; diagnostic substan-

ces for medical or veterinary purposes; diagnostic testing materials for medical and veterinary use; reagents and media for medical and veterinary diagnostic purposes; chemical test reagents [medical]; chemical test reagents [veterinary]; diagnostic testing materials for medical or veterinary use; preparations and substances, namely, anti-bacterial agents for medical, industrial, farming, and food preparation purposes; drug delivery agents; antibodies for medical or veterinary purposes; cultures of microorganisms and biological tissues for medical or veterinary use; microbicides; bacterial and bacteriological preparations for medical or veterinary use; chemical, biochemical or biological preparations for medical or veterinary use; preparations of microorganisms for medical and veterinary use; pharmaceutical preparations and substances for cancer treatment; biological and chemical reagents for medical or veterinary use; diagnostic biomarking reagents for medical use; preparations for detecting genetic predispositions for medical use; medical and veterinary preparations active in the microbiome space.

10 – Surgical, medical or veterinary apparatus and instruments for medical or veterinary diagnostic purposes; testing apparatus and instruments for medical or veterinary purposes; treatment apparatus and instruments for medical or veterinary purposes; medical or veterinary diagnostic tools, apparatus and instruments; diagnostic, examination, and monitoring equipment; diagnostic apparatus for medical and veterinary use; test instruments for use in medical or veterinary diagnostics; apparatus for carrying out diagnostic tests for medical or veterinary purposes; analysis devices for identification of bacteria for medical purposes; DNA and RNA testing apparatus for medical purposes; apparatus used for the study of bacterial disorders; applicators for anti-bacterial preparations; implantable devices for the subcutaneous release of medicated substances; samplers for medical use; genetic testing apparatus for medical purposes; surgical, dental, medical and veterinary apparatus and instruments in connection with the study and treatment of the microbiome.

42 – Scientific and technological services and research and design relating thereto; scientific research for medical or veterinary purposes; medical, veterinary or pharmacological research; medical, veterinary or pharmacological research laboratory services; biological, medical, clinical and veterinary research; providing of medical, veterinary and scientific research information in the field of pharmaceuticals and pharmacological preparations and clinical trials; development of diagnostic apparatus; design and development of diagnostic apparatus; scientific laboratory services for analysing blood or fluid samples taken from humans or animals; microbiological testing; scientific research services for medical purposes; medical research services; medical laboratory services; medical research;

scientific research for medical purposes; medical and pharmacological research services; electronic storage of medical records; design and development of medical technology; computer programming in the medical field; design and development of medical diagnostic apparatus; biological research, clinical research and medical research; design and development of computer software for use with medical technology; provision of information and data relating to medical and veterinary research and development; providing medical and scientific research information in the field of pharmaceuticals and clinical trials; consultation relating to pharmaceutical research and development; consultation relating to bacteriology research; development of pharmaceutical preparations and medicines; clinical trials; research and development in the field of pharmaceuticals and biotechnology; bacteriological research and testing; biological, clinical and medical research services; medical research laboratory services; scientific research in the field of genetics; preparation of reports with respect to biotechnology; research and development in the field of microbial manipulation and biotherapy; research and development in the field of the microbiome.

44 – Medical and veterinary services; medical and veterinary analysis; medical and veterinary analysis for the diagnosis and treatment of persons and animals; medical or veterinary analysis in relation to treating humans or animals; medical or veterinary care in relation to treating humans or animals; medical or veterinary laboratory services for analysing blood or fluid samples taken from humans or animals; medical or veterinary treatment; medical or veterinary analysis relating to the treatment of individuals or animals; advice concerning animal feeding; veterinary surgical services; services concerning the care of pets; laboratory analysis services relating to the treatment of animals; information concerning veterinary pharmaceutical products; genetic analysis for medical or veterinary purposes; medical testing for the diagnosis and treatment of persons; consulting and information with respect to medicine; conducting of medical examinations; medical analysis services; medical services in the field of microbial manipulation and biotherapy; medical services with respect to the removal, treatment and processing of human cells and biological compounds active in the microbiome space; carrying out clinical trials.

(260) AM 2024 123139 A

(800) 1732700

(151) 2023 03 21

(891) 2023 03 21

(731) BERLIN-CHEMIE Aktiengesellschaft

Glienicker Weg 125, 12489 Berlin, Germany

(540)

**EMZYPRA**

(591) Black, white

(511)

3 – Balms; cosmetics; dentifrices; herbal extracts for cosmetic purposes; lavender oil; mouthwashes; shampoos; vaginal washes.

5 – Pharmaceuticals; dietetic substances adapted for medical use.

(260) AM 2024 123145 A

(800) 1732740

(151) 2023 05 03

(891) 2023 05 03

(731) Obshchestvo s ogranichennoy otvetstvennostju "Globus"

Promyshlenny passage, 7B, Novoulyanovsk,

RU-433300 Ulyanovsk region, Russian

Federation

(540)



(591) White, red, brown and its shades, pink and its shades, gray and its shades

(531) 03.04.13; 26.01.03; 26.13.25; 28.05; 29.01.13

(511)

30 – Coffee flavourings; cereal bars; high-protein cereal bars; pancakes; bread rolls; pains au chocolat; vanillin [vanilla substitute]; waffles; vermicelli; mirror icing [mirror glaze]; cake frosting [icing]; leaven; rice-based snack food; cereal-based snack food; candy decorations for cakes; confectionery for decorating christmas trees; cakes; danish pastries; pastries; peanut confectionery; almond confectionery; confectionery; fruit confectionery; frozen yogurt [confectionery ices]; cocoa; caramels [sweets]; sweets; liquorice [confectionery]; mints for breath freshening; dulce de leche; crackers; rice crackers; custard; crème brûlée; croissants; groats for human food; macaroons [pastries]; ice cream; chocolate mousses; muesli; cocoa beverages with milk; coffee beverages with milk; coffee-based beverages; cocoa-based beverages; tea beverages with milk; chocolate beverages with milk; chocolate-based beverages; nougat; lozenges [confectionery]; biscuits; coconut macaroons; petit-beurre biscuits; pies; fondants [confectionery]; cereal preparations; profiteroles; gingerbread; puddings; chocolate-based spreads; chocolate spreads containing nuts; dough; pastry dough; almond paste; cake batter; halvah; bread; chips [cereal products]; corn flakes; oat flakes; chocolate.

(260) AM 2024 123146 A

(800) 1732802

(151) 2022 12 29

(891) 2022 12 29

(731) WORLD MEDICINE İLAÇ SANAYİ VE

TİCARET ANONİM ŞİRKETİ

15 TEMMUZ MAH., CAMİ YOLU CAD. 50

Bağcılar, İstanbul, Türkiye

(540)

## SLEZOL FORTE – СЛЕЗОЛ ФОРТЕ

(591) Black, white

(531) 24.17.01; 27.05.01; 28.05

(511)

5 – Pharmaceutical and veterinary preparations for medical purposes, chemical preparations for medical and veterinary purposes, chemical reagents for pharmaceutical and veterinary purposes, medicated cosmetics, dietary supplements for pharmaceutical and veterinary purposes, dietary supplements, nutritional supplements, medical preparations for slimming purposes, food for babies, herbs and herbal beverages adapted for medicinal purposes, dental preparations and articles: teeth filling material, dental impression material, dental adhesives and material for repairing teeth, sanitary preparations for medical use: hygienic pads, hygienic tampons, plasters, materials for dressings, diapers made of paper and textiles for babies, adults and pets, preparations for destroying vermin, herbicides, fungicides, preparations for destroying rodents, deodorants, other than for human beings or for animals, air purifying preparations, air deodorising preparations, disinfectants, antiseptics, detergents for medical purposes, medicated soaps, disinfectant soaps, antibacterial hand lotions.

(260) AM 2024 123147 A

(800) 1732892

(151) 2023 04 12

(891) 2023 04 12

(731) QUADRA GROUP S.R.L.

Via Antonio Viviani n. 8/10, I-36061

BASSANO DEL GRAPPA (VI), Italy

(540)

## THAT'SO

(591) Black, white

(511)

3 – Preparations for skin care, treatment and protection, namely gels, lotions, oils, moisturisers, sun filters, ultraviolet filters, filters for sunbeds, sun-tanning preparations with high protection factor, preparations against ultraviolet light with high protection factor, preparations for sunbeds with high protection factor, preparations for darkening or lightening the skin, sun-tan preparations and skin whiteners, self-tanning preparations, sun lotions, sun gels, sun oils, sun creams, aftersun lotions, preparations for the bath/the body, foaming preparations, foams, cleaning preparations,

sprays, vaporisers and creams; hair care preparations, namely shampoos, conditioners, gels, conditioning creams, foams and sprays; cosmetics, namely lipsticks, lip oils, make-up, eyebrow pencils, eye shadows; and nail care preparations, namely nail varnishes and nail care preparations; hair and body lotions; soaps; perfumery and fragrances, essential oils.

11 – Apparatus for sanitary purposes, apparatus for skin treatment in general; tanning equipment; sprayers; sun beds, solar showers and sun lamps; UV-ray emitting apparatus; apparatus for spraying creams, liquids and lotions onto the human body, in particular for the spraying of protective preparations, sun-tanning preparations, skin whiteners and self-tanning preparations.

44 – Medical services; hygienic and beauty care for human beings; beauty salons and sun-tanning centres; cosmetician and beautician services; mental health services; spas; provision of sauna facilities; nail care.

(260) AM 2024 123148 A

(800) 1732902

(151) 2023 04 19

(891) 2023 04 19

(731) Zakrytoe aktsionernoe obshchestvo

"Starodvorskie kolbasy"

ul. Poliny Osipenko, d. 41, of. 210, RU-600009

g. Vladimir, Russian Federation

(540)

## Molokushi

(591) Black, white

(511)

29 – Ajvar being preserved peppers; aloe vera prepared for human consumption; alginates for culinary purposes; anchovy, not live; peanuts, prepared; artichokes, preserved; white of eggs; beans, preserved; soya beans, preserved, for food; broth; ginger jam; ham; fatty substances for the manufacture of edible fats; toasted laver; edible birds' nests; sea-cucumbers, not live; peas, preserved; mushrooms, preserved; guacamole; game, not live; gelatine; meat jellies; jellies for food, other than confectionery; fruit jellies [jams]; yolk of eggs; coconut fat; bone oil for food; lard; suet for food; edible fats; julienne being baked poultry or mushroom dish with sour cream; curd; fruit-based snack food; milk substitutes; charcuterie; raisins; caviar; aubergine paste; vegetable marrow paste; fish roe, prepared; yogurt; galbi being grilled meat dish; sauerkraut; kephir; kimchi [fermented vegetable dish]; isinglass for food; clams, not live; potato-based dumplings; milk shakes; black pudding; onion rings; arrangements of processed fruit; compotes; meat, tinned; vegetables, tinned; fish, tinned; fruits, tinned; broth concentrates; corn dogs; gherkins; meat cutlets; frozen meat cutlets; shrimps, not live; prawns, not live; buttercream; croquettes; silkworm chrysalis for human consumption; sweet corn, processed; koumiss;

chicken wings; spiny lobsters, not live; lecithin for culinary purposes; salmon, not live; onions, preserved; margarine; marmalade; oils for food; peanut butter; cocoa butter for food; coconut butter; maize oil for food; sesame oil for food; linseed oil for food; extra virgin olive oil for food; olive oil for food; palm oil for food; palm kernel oil for food; sunflower oil for food; rape oil for food; butter; soya bean oil for food; mussels, not live; almonds, ground; animal marrow for food; molluscs, not live; peanut milk; peanut milk for culinary purposes; coconut milk; milk; coconut milk for culinary purposes; almond milk; almond milk for culinary purposes; oat milk; rice milk; rice milk for culinary purposes; albumin milk; condensed milk; soya milk; powdered milk; fish meal for human consumption; vegetable mousses; fish mousses; fruit pulp; meat; meat, preserved; freeze-dried meat; chicken nuggets; milk beverages, milk predominating; peanut milk-based beverages; coconut milk-based beverages; almond milk-based beverages; edible insects, not live; sausage casings, natural or artificial; vegetables, preserved; freeze-dried vegetables; vegetables, dried; vegetables, cooked; potato fritters; olives, preserved; lobsters, not live; flavoured nuts; candied nuts; coconut, desiccated; nuts, prepared; tomato paste; liver pâté; pectin for culinary purposes; liver; pickles; jams; powdered eggs; milk products; fish-based foodstuffs; prostokvasha being soured milk; poultry, not live; battered chicken pieces; bulgogi; pollen prepared as foodstuff; cranberry compote; tomato purée; apple purée; crayfish, not live; crustaceans, not live; fish, preserved; fish, not live; salted fish; ryazhenka being fermented baked milk; vegetable salads; fruit salads; bacon; sardelki [sausages]; sardines, not live; pork; herrings, not live; seeds, prepared; sunflower seeds, prepared; cream [dairy products]; whipped cream; vegetable-based cream; fat-based spreads for bread slices; smetana; lemon juice for culinary purposes; tomato juice for cooking; vegetable juices for cooking; salted meats; sausages; sausages in batter; hot dog sausages; preparations for making bouillon; preparations for making soup; nut-based spreads; tripe; soups; vegetable soup preparations; whey; cheese; tahini; tofu; truffles, preserved; tuna, not live; oysters, not live; falafel; milk ferments for culinary purposes; rennet; fish fillets; dates; crystallized fruits; frozen fruits; fruit, preserved; fruit preserved in alcohol; fruit, stewed; hazelnuts, prepared; potato flakes; hummus [chickpea paste]; fruit peel; preserved garlic; lentils, preserved; potato crisps; low-fat potato crisps; fruit chips; shpikachki [sausages]; non-alcoholic eggnog; seaweed extracts for food; meat extracts; berries, preserved; snail eggs for consumption; eggs; yakitori; edible ant larvae, prepared.

30 – Vanilla flavourings for culinary purposes; flavourings, other than essential oils, for cakes; flavourings, other than essential oils, for beverages; coffee flavourings; food flavourings, other than essential oils; star aniseed; baozi; cereal bars; high-protein ce-

real bars; pancakes; noodle-based prepared meals; freeze-dried dishes with the main ingredient being pasta; freeze-dried dishes with the main ingredient being rice; buns; bread rolls; edible rice paper; edible paper; burritos; vanillin [vanilla substitute]; vareniki [stuffed dumplings]; waffles; vermicelli; natural sweeteners; sausage binding materials; binding agents for ice cream; seawater for cooking; seaweed [condiment]; malt biscuits; cloves [spice]; mirror icing [mirror glaze]; cake frosting [icing]; glucose for culinary purposes; mustard; gluten additives for culinary purposes; yeast; fried pelmeni; thickening agents for cooking foodstuffs; leaven; rice-based snack food; cereal-based snack food; coffee substitutes; vegetal preparations for use as coffee substitutes; dressings for salad; fruit jellies [confectionery]; candy decorations for cakes; confectionery for decorating Christmas trees; cakes; pastries; peanut confectionery; almond confectionery; pasta; ginger [spice]; frozen yogurt [confectionery ices]; cocoa; cream of tartar for culinary purposes; capers; caramels [sweets]; curry [spice]; ketchup [sauce]; kimbap; quiches; gluten prepared as foodstuff; flour-based dumplings; sweets; liquorice [confectionery]; peppermint sweets; dulce de leche; cinnamon [spice]; coffee; unroasted coffee; starch for food; crackers; custard; hominy grits; semolina; oatmeal; crushed barley; groats for human food; ice cubes; corn, milled; corn, roasted; meat pies; turmeric; couscous [semolina]; noodles; ice for refreshment; ice, natural or artificial; edible ices; lollipops [confectionery]; rice cakes; mayonnaise; macaroons [pastries]; macaroni; maltose; hominy; piccalilli; marinades; marzipan; honey; miso [seasoning]; royal jelly; ice cream; bean meal; tapioca flour; potato flour; corn flour; nut flours; flour; wheat flour; soya flour; barley meal; mousses [confectionery]; chocolate mousses; muesli; mint for confectionery; cocoa beverages with milk; coffee beverages with milk; coffee-based beverages; cocoa-based beverages; chamomile-based beverages; tea-based beverages; chocolate beverages with milk; chocolate-based beverages; infusions, not medicinal; onigiri; crushed oats; husked oats; okonomiyaki [Japanese savory pancakes]; nutmegs [spice]; chocolate-coated nuts; stick liquorice [confectionery]; lozenges [confectionery]; molasses for food; pâtés en croûte; pelmeni; khinkali [stuffed dumplings]; manti [stuffed dumplings]; pepper; allspice; peppers [seasonings]; pesto; biscuits; petit-beurre biscuits; bibimbap [rice mixed with vegetables and beef]; pies; pizzas; meat gravies; fondants [confectionery]; popcorn; powders for making ice cream; baking powder; mustard meal; pralines; aromatic preparations for food; condiments; meat tenderizers for culinary purposes; cereal preparations; oat-based food; propolis; gingerbread; spices; petits fours; rice pudding; puddings; cake powder; fruit coulis [sauces]; ravioli; ramen [Japanese noodle-based dish]; chewing gum; relish [condiment]; rice; instant rice; wheat germ for human consumption; spring rolls; sago; palm sugar; sugar; sesa-

me seeds [seasonings]; linseed for culinary purposes [seasoning]; processed seeds for use as a seasoning; aniseed; agave syrup [natural sweetener]; golden syrup; candy bars; batter mixes for okonomiyaki [Japanese savory pancakes]; baking soda [bicarbonate of soda for cooking purposes]; malt for human consumption; salt for preserving foodstuffs; cooking salt; celery salt; sorbets [ices]; ham glaze; soya sauce; tomato sauce; sauces [condiments]; pasta sauce; spaghetti; seasonings; chocolate-based spreads; chocolate spreads containing nuts; preparations for stiffening whipped cream; rusks; breadcrumbs; sushi; senbei [rice crackers]; sandwiches; tabbouleh; tacos; tapioca; tarts; dough; pastry dough; almond paste; rice pulp for culinary purposes; cake batter; tortillas; garden herbs, preserved [seasonings]; chocolate decorations for cakes; vinegar; beer vinegar; ferments for dough; halvah; bread; unleavened bread; chips [cereal products]; corn flakes; oat flakes; hot dog sandwiches; flowers or leaves for use as tea substitutes; jiaozi; chicory [coffee substitute]; tea; iced tea; chutneys [condiments]; chebureki [deep-fried pies]; minced garlic [condiment]; cheeseburgers [sandwiches]; chow-chow [condiment]; saffron [seasoning]; chocolate; malt extract for food; essences for foodstuffs, except etheric essences and essential oils; husked barley.

(260) AM 2024 123153 A

(800) 746740

(151) 2000 11 02

(891) 2023 05 12

(731) COSMETICA CABINAS, S.L.

Avenida Passeig del Comtat, 13-B, E-03820

Cocentaina (Alicante), Spain

(540)

**AINHOA**

(591) Black, white

(531) 27.05.01

(511)

3 – Cosmetic products.

(260) AM 2024 123154 A

(800) 1004234

(151) 2009 05 19

(891) 2023 02 23

(731) East Group Co., Ltd.

No. 6 Northern Industry Road, Songshan Lake

SCI. & TECH., Industry Park, Dongguan City,

Guangdong Province, China

(540)

**EAST**

(591) Black, white

(531) 27.05.01

(511)

9 – Capacity measures; electric loss indicators; oscillographs; voltage stabilizing power supply; low-

voltage power supply; accumulator boxes; battery boxes; accumulators, electric.

(260) AM 2024 123157 A

(800) 1388789

(151) 2017 10 24

(891) 2023 01 11

(731) Obschestvo s ogranichennoy otvetstvennostyu,

SDEK-Global

Krivoschekovskaya, d. 15, k. 1, e. 1, 2,

RU-630007 Novosibirsk, Russian Federation

(540)

The logo for CDEK, featuring a stylized green and white globe icon to the left of the letters 'CDEK' in a bold, black, sans-serif font.

(591) Black, white and green

(531) 18.05.03; 24.15.02; 26.01.01; 26.01.10;

26.03.04; 26.03.06; 26.15.01; 27.05.01;

29.01.13

(511)

39 – Packaging and storage of goods; arranging of travel tours; air transport; boat rental; parking place rental; booking of seats for travel; transport reservation; towing; water distribution; delivery of newspapers; message delivery; parcel delivery; delivery of goods; delivery of goods by mail order; flower delivery; launching of satellites for others; transportation information; storage information; arranging of cruises; hauling; carting; transporting furniture; ferry-boat transport; transport of travellers; bus transport; car transport; boat transport; railway transport; marine transport; passenger transport; river transport; portering; refloating of ships; shipbrokerage; transport brokerage; freight brokerage; car rental; railway truck rental; rental of diving bells; rental of motor racing cars; rental of wheelchairs; rental of storage containers; horse rental; refrigerator rental; vehicle rental; stevedoring; unloading cargo; electricity distribution; distribution of energy; packaging of goods; ice-breaking; piloting; water supplying; escorting of travellers; underwater salvage; salvage of ships; taxi transport; tram transport; transport by pipeline; car parking; chauffeur services; courier services [messages or merchandise]; transport; franking of mail; freighting; physical storage of electronically stored data or documents; boat storage; freight forwarding.

(260) AM 2024 123159 A

(800) 1515184

(151) 2019 12 06

(891) 2023 05 11

(731) Sole trader Bogdanova Nina Alexandrovna

Karamyshevskaya nabereznaya, 56-46,

RU-123154 Moscow, Russian Federation

(540)

The logo for JNRB, featuring the letters 'JNRB' in a bold, black, sans-serif font.

(591) Black, white

(531) 27.05.17

(511)  
25 – Clothing; footwear; hats.

(260) AM 2024 123160 A  
(800) 1516654  
(151) 2020 01 23  
(891) 2023 05 17  
(731) DEL MAGUEY, INC  
250 Park Avenue, New York NY 10177, USA  
(540)

## DEL MAGUEY SINGLE VILLAGE

(591) Black, white  
(526) MAGUEY  
(511)  
33 – Wine and spirits.

(260) AM 2024 123230 A  
(800) 1733115  
(151) 2022 11 29  
(891) 2022 11 29  
(731) Egis Gyógyszergyár Zrt.  
Keresztúri út 30-38, H-1106 Budapest, Hungary  
(540)

## APOAC

(591) Black, white  
(511)  
5 – Pharmaceutical preparations for human use; dietic substances adapted for medical use; dietary supplements.

(260) AM 2024 123231 A  
(800) 1733127  
(151) 2023 04 03  
(891) 2023 04 03  
(731) Roja Parfums Holdings Limited  
41 New England Street, New England Quarter,  
Brighton BN1 4GQ, United Kingdom  
(540)

## ROJA PARFUMS MANHATTAN

(591) Black, white  
(511)  
3 – Perfumes; fine fragrance; air fragrance reed diffusers; air fragrance preparations; room fragrancng preparations.

(260) AM 2024 123247 A  
(800) 1733453  
(151) 2022 11 29  
(891) 2022 11 29  
(731) Egis Gyógyszergyár Zrt.

Keresztúri út 30-38., H-1106 Budapest,  
Hungary

(540)

## RILVA

(591) Black, white  
(511)  
5 – Pharmaceutical preparations for human use; dietic substances adapted for medical use; dietary supplements; with the exception of all these pharmaceutical and medical preparations, dietary substances and dietary supplements for the treatment and alleviation of respiratory diseases.

(260) AM 2024 123248 A  
(800) 1733632  
(151) 2022 11 17  
(891) 2022 11 17  
(731) LIMITED LIABILITY COMPANY  
"BY WORLD"  
st. Prechistenka, 40/2, building 1, floor 2,  
room. XXIV, municipal district Khamovniki  
ext. ter.g., RU-119034 Moscow, Russian  
Federation

(540)



(591) Black, white and red.  
(531) 01.01.02; 01.01.09; 24.01.15; 26.03.02;  
26.03.06; 26.03.16; 26.03.18; 26.03.24;  
27.01.01; 27.05.01; 27.05.24; 29.01.13

(511)  
3 – Abrasives; amber [perfume]; descaling preparations for household purposes; antistatic preparations for household purposes; aromatics [essential oils]; air fragrancng preparations; cake flavourings [essential oils]; flavourings for beverages [essential oils]; food flavourings [essential oils]; breath freshening sprays; canned pressurized air for cleaning and dusting purposes; balms, other than for medical purposes; lip glosses; polishing stones; abrasive paper; emery paper; polishing paper; petroleum jelly for cosmetic purposes; shoe polish; cobblers' wax; cotton wool for cosmetic purposes; sachets for perfuming linen; drying agents for dishwashing machines; adhesives for cosmetic purposes; scented water; Javelle water; lavender water; toilet water; wax for parquet floors; floor wax; non-slipping wax for floors; depilatory wax; moustache wax; tailors' wax; polish for furniture and flooring; shoemakers' wax; polishing wax; massage gels, other than for medical purposes; heliotropine; dental bleaching gels; geraniol; make-up; deodorants for pets; depilatory preparations; air fragrance reed diffusers; scented wood; perfumes; non-slipping liquids for floors; windscreen cleaning liquids; greases for cosmetic purposes; volcanic ash for cleaning; perfumery; deco-

rative transfers for cosmetic purposes; ionone [perfumery]; shaving stones [astringents]; smoothing stones; eyebrow pencils; cosmetic pencils; silicon carbide [abrasive]; carbides of metal [abrasives]; alum stones [astringents]; tripoli stone for polishing; adhesives for affixing false eyelashes; adhesives for affixing false hair; hair conditioners; quillaia bark for washing; corundum [abrasive]; beard dyes; colorants for toilet purposes; cosmetic dyes; shoe cream; polishing creams; cosmetic creams; skin whitening creams; polishing rouge; incense; hair spray; nail varnish; hair lotions; lotions for cosmetic purposes; after-shave lotions; beauty masks; oils for perfumes and scents; oils for cosmetic purposes; oils for toilet purposes; essential oils; essential oils of cedarwood; essential oils of lemon; essential oils of citron; oils for cleaning purposes; bergamot oil; gaultheria oil; jasmine oil; lavender oil; almond oil; rose oil; oil of turpentine for degreasing; whiting; cleaning chalk; almond milk for cosmetic purposes; cleansing milk for toilet purposes; musk [perfumery]; deodorant soap; shaving soap; soap for brightening textile; cakes of toilet soap; antiperspirant soap; soap for foot perspiration; soap; almond soap; mint for perfumery; cosmetic kits; emery; nail art stickers; false nails; eau de Cologne; extracts of flowers [perfumes]; joss sticks; pastes for razor strops; pumice stone; lipstick cases; hydrogen peroxide for cosmetic purposes; breath freshening strips; teeth whitening strips; sandcloth; glass cloth [abrasive cloth]; lipsticks; pomades for cosmetic purposes; shaving preparations; cosmetic preparations for baths; bath preparations, not for medical purposes; hair straightening preparations; hair waving preparations; laundry soaking preparations; grinding preparations; smoothing preparations [starching]; colour-removing preparations; leather bleaching preparations; polishing preparations; denture polishes; mouthwashes, not for medical purposes; cosmetic preparations for slimming purposes; eye-washes, not for medical purposes; fabric softeners for laundry use; preparations for washing; dry-cleaning preparations; paint stripping preparations; lacquer-removing preparations; make-up removing preparations; floor wax removers [scouring preparations]; varnish-removing preparations; rust removing preparations; nail care preparations; cleaning preparations; preparations for cleaning dentures; wallpaper cleaning preparations; preparations for unblocking drain pipes; chemical cleaning preparations for household purposes; collagen preparations for cosmetic purposes; bleaching preparations [decolorants] for household purposes; aloe vera preparations for cosmetic purposes; sunscreen preparations; colour-brightening chemicals for household purposes [laundry]; breath freshening preparations for personal hygiene; shining preparations [polish]; make-up powder; diamantine [abrasive]; stain removers; nail varnish removers; vaginal washes for personal sanitary or deodorant purposes; scouring solutions; false eyelashes; tissues impregnated with cosmetic lotions; tissues im-

pregnated with make-up removing preparations; safrol; massage candles for cosmetic purposes; laundry blueing; turpentine for degreasing; potpourris [fragrances]; bleaching soda; washing soda, for cleaning; bath salts, not for medical purposes; bleaching salts; fumigation preparations [perfumes]; leather preservatives [polishes]; ammonia [volatile alkali] [detergent]; astringents for cosmetic purposes; eyebrow cosmetics; make-up preparations; sun-tanning preparations [cosmetics]; hair dyes; neutralizers for permanent waving; cosmetic preparations for eyelashes; cosmetic preparations for skin care; shoe wax; cosmetics; cosmetics for children; cosmetics for animals; mascara; cleansers for intimate personal hygiene purposes, non medicated; douching preparations for personal sanitary or deodorant purposes [toiletries]; detergents, other than for use in manufacturing operations and for medical purposes; degreasers, other than for use in manufacturing processes; bleaching preparations [decolorants] for cosmetic purposes; antiperspirants [toiletries]; toiletry preparations; phytocosmetic preparations; talcum powder, for toilet use; cotton swabs for cosmetic purposes; terpenes [essential oils]; emery cloth; cloths impregnated with a detergent for cleaning; henna [cosmetic dye]; shampoos for animals [non-medicated grooming preparations]; shampoos for pets [non-medicated grooming preparations]; dry shampoos; shampoos; sandpaper; soda lye; herbal extracts for cosmetic purposes; ethereal essences; badian essence; mint essence [essential oil]; creams for leather; deodorants for human beings or for animals; dentifrices; toothpaste; laundry glaze; laundry bleach; preparations to make the leaves of plants shiny; starch for laundry purposes; starch glaze for laundry purposes.

4 – Anthracite; benzine; biomass fuel; wood briquettes; combustible briquettes; petroleum jelly for industrial purposes; wax [raw material]; ozokerite; wax for lighting; industrial wax; belting wax; carnauba wax; beeswax; beeswax for use in the manufacture of cosmetics; gas for lighting; oil-gas; fuel gas; producer gas; solidified gases [fuel]; fuel; lubricating graphite; additives, non-chemical, to motor fuel; firewood; paper spills for lighting fires; cutting fluids; fish oil, not edible; greases for the preservation of leather; oils for lighting; grease for leather; grease for footwear; tallow; industrial grease; kerosene; coke; lanolin for use in the manufacture of cosmetics; ligroin; wood spills for lighting fires; wax for skis; mazut; fuel oil; oils for the preservation of leather; oils for paints; oils for releasing form work [building]; oils for the preservation of masonry; textile oil; lubricating oil; industrial oil; moistening oil; coal tar oil; coal naphtha; castor oil for industrial purposes; bone oil for industrial purposes; motor oil; sunflower oil for industrial purposes; rape oil for industrial purposes; lubricants; naphtha; petroleum, raw or refined; nightlights [candles]; oleine; paraffin; dust removing preparations; soya bean oil preparations for non-stick treatment of cooking uten-

sils; non-slipping preparations for belts; coal dust [fuel]; firelighters; perfumed candles; Christmas tree candles; candles; grease for arms [weapons]; lubricating grease; grease for belts; vaporized fuel mixtures; dust absorbing compositions; dust binding compositions for sweeping; dust laying compositions; alcohol [fuel]; stearine; benzene fuel; diesel oil; lighting fuel; xylene fuel; mineral fuel; carburants; fuel with an alcohol base; petrol; peat [fuel]; peat briquettes [fuel]; tinder; lignite; charcoal [fuel]; coal; coal briquettes; lamp wicks; wicks for candles; ceresine; electrical energy; ethanol [fuel]; petroleum ether; wool grease; methylated spirit.

5 – Acaricides; aconitine; alkaloids for medical purposes; alginates for pharmaceutical purposes; algicides; aldehydes for pharmaceutical purposes; dental amalgams of gold; dental amalgams; amino acids for veterinary purposes; amino acids for medical purposes; analgesics; anaesthetics; antibiotics; antiseptics; medicine cases, portable, filled; first-aid boxes, filled; aluminium acetate for pharmaceutical purposes; acetates for pharmaceutical purposes; germicides; balms for medical purposes; bandages for dressings; diagnostic biomarker reagents for medical purposes; biocides; bromine for pharmaceutical purposes; paper for mustard plasters; fly catching paper; reagent paper for veterinary purposes; reagent paper for medical purposes; mothproofing paper; petroleum jelly for medical purposes; vaccines; oxygen baths; antiseptic cotton; aseptic cotton; absorbent cotton; wadding for medical purposes; cotton for medical purposes; dietetic substances adapted for medical use; radiological contrast substances for medical purposes; nutritive substances for microorganisms; radioactive substances for medical purposes; bismuth subnitrate for pharmaceutical purposes; melissa water for pharmaceutical purposes; seawater for medicinal bathing; mineral waters for medical purposes; thermal water; dietary fibre; moulding wax for dentists; gases for medical purposes; guaiacol for pharmaceutical purposes; sexual stimulant gels; haematogen; haemoglobin; hydrastine; hydrastinine; glycerine for medical purposes; glycerophosphates; glucose for medical purposes; gentian for pharmaceutical purposes; hormones for medical purposes; mustard for pharmaceutical purposes; mustard plasters; mud for baths; medicinal mud; gamboge for medical purposes; gurjun balsam for medical purposes; air deodorizing preparations; deodorants, other than for human beings or for animals; diastase for medical purposes; digitalin; vitamin supplement patches; mineral dietary supplements; dietary supplements; albumin dietary supplements; dietary supplements for animals; yeast dietary supplements; alginate dietary supplements; glucose dietary supplements; casein dietary supplements; lecithin dietary supplements; linseed oil dietary supplements; propolis dietary supplements; protein dietary supplements; protein supplements for animals; royal jelly dietary supplements; pollen dietary supplements; wheat germ dietary supple-

ments; linseed dietary supplements; dietary supplements with a cosmetic effect; enzyme dietary supplements; yeast for pharmaceutical purposes; gelatine for medical purposes; cod liver oil; isotopes for medical purposes; immunostimulants; insecticides; iodine for pharmaceutical purposes; iodides for pharmaceutical purposes; alkaline iodides for pharmaceutical purposes; iodoform; calomel [fungicide]; cream of tartar for pharmaceutical purposes; tartar for pharmaceutical purposes; camphor for medical purposes; capsules for medicines; cachets for pharmaceutical purposes; haemostatic pencils; wart pencils; caustic pencils; carbolineum [parasiticide]; caustics for pharmaceutical purposes; cachou for pharmaceutical purposes; quassia for medical purposes; quebracho for medical purposes; oxygen for medical purposes; gallic acid for pharmaceutical purposes; acids for pharmaceutical purposes; adhesives for dentures; surgical glues; stem cells for veterinary purposes; stem cells for medical purposes; cocaine for medical purposes; collagen for medical purposes; collodion for pharmaceutical purposes; corn rings for the feet; medicated sweets; angostura bark for medical purposes; barks for pharmaceutical purposes; cedar wood for use as an insect repellent; condurango bark for medical purposes; croton bark; mangrove bark for pharmaceutical purposes; myrobalan bark for pharmaceutical purposes; quinquina for medical purposes; medicated animal feed; medicinal roots; rhubarb roots for pharmaceutical purposes; lint for medical purposes; starch for dietetic or pharmaceutical purposes; creosote for pharmaceutical purposes; blood for medical or veterinary use; curare; dental lacquer; liquorice for pharmaceutical purposes; milk sugar for pharmaceutical purposes; candy for medical purposes; adhesive plasters; medicines for alleviating constipation; adhesive tapes for medical purposes; lecithin for medical purposes; lotions for veterinary purposes; medicated hair lotions; lotions for pharmaceutical purposes; medicated after-shave lotions; personal sexual lubricants; lupulin for pharmaceutical purposes; magnesia for pharmaceutical purposes; liniments; ointments for pharmaceutical purposes; sunburn ointments; mercurial ointments; frostbite salve for pharmaceutical purposes; gauze for dressings; medicinal oils; mustard oil for medical purposes; camphor oil for medical purposes; castor oil for medical purposes; oil of turpentine for pharmaceutical purposes; dill oil for medical purposes; dental mastics; dental abrasives; dental impression materials; teeth filling material; dressings, medical; surgical dressings; drugs for medical purposes; medicines for veterinary purposes; serotherapeutic medicines; medicines for human purposes; medicines for dental purposes; menthol; medicinal drinks; moleskin for medical purposes; almond milk for pharmaceutical purposes; powdered milk for babies; royal jelly for pharmaceutical purposes; milk ferments for pharmaceutical purposes; Irish moss for medical purposes; flour for pharmaceutical purposes;



linseed meal for pharmaceutical purposes; fish meal for pharmaceutical purposes; fly glue; antibacterial soap; disinfectant soap; medicated soap; freeze-dried meat adapted for medical purposes; mint for pharmaceutical purposes; dietetic beverages adapted for medical purposes; malted milk beverages for medical purposes; narcotics; medicinal infusions; tincture of iodine; eucalyptol for pharmaceutical purposes; tinctures for medical purposes; opium; opodeldoc; decoctions for pharmaceutical purposes; antiparasitic collars for animals; stick liquorice for pharmaceutical purposes; sulfur sticks [disinfectants]; pastilles for pharmaceutical purposes; medicated toothpaste; pectin for pharmaceutical purposes; pepsins for pharmaceutical purposes; peptones for pharmaceutical purposes; hydrogen peroxide for medical purposes; pesticides; food for babies; leeches for medical purposes; blood plasma; nicotine patches for use as aids to stop smoking; eyepatches for medical purposes; poultices; compresses; scapulars for surgical purposes; babies' diapers; diapers for pets; diapers for incontinence; bunion pads; breast-nursing pads; pomades for medical purposes; powder of cantharides; pyrethrum powder; anti-uric preparations; bacterial preparations for medical and veterinary use; bacteriological preparations for medical and veterinary use; balsamic preparations for medical purposes; albuminous preparations for medical purposes; biological preparations for veterinary purposes; biological preparations for medical purposes; veterinary preparations; bismuth preparations for pharmaceutical purposes; vitamin preparations; diagnostic preparations for veterinary purposes; diagnostic preparations for medical purposes; bath preparations for medical purposes; therapeutic preparations for the bath; haemorrhoid preparations; preparations for callouses; lice treatment preparations [pediculicides]; acne treatment preparations; preparations to facilitate teething; preparations for the treatment of burns; fumigation preparations for medical purposes; opotherapy preparations; air purifying preparations; bronchodilating preparations; preparations for reducing sexual activity; sterilizing preparations; soil-sterilizing preparations; corn remedies; pharmaceutical preparations for treating dandruff; preparations for destroying noxious animals; herbicides; preparations for destroying dry rot fungus; larvae exterminating preparations; fly destroying preparations; preparations for destroying mice; slug exterminating preparations; preparations for destroying parasites; pharmaceutical preparations for skin care; contact lens cleaning preparations; preparations of microorganisms for medical or veterinary use; lime-based pharmaceutical preparations; styptic preparations; medicated eye-washes; medicinal hair growth preparations; nutraceutical preparations for therapeutic or medical purposes; opiates; anticryptogamic preparations; aloe vera preparations for pharmaceutical purposes; preparations of trace elements for human and animal use; sulfonamides [medicines]; pharmaceutical preparations; pharmaceutical prepara-

tions for treating sunburn; enzyme preparations for veterinary purposes; enzyme preparations for medical purposes; phytotherapy preparations for medical purposes; chemico-pharmaceutical preparations; chemical preparations for veterinary purposes; chemical preparations for the diagnosis of pregnancy; chemical preparations for medical purposes; chemical preparations for treating wheat blight; chemical preparations for treating diseases affecting vine plants; chemical preparations for treating mildew; chemical preparations for treating phylloxera; chemical preparations for pharmaceutical purposes; chilblain preparations; mothproofing preparations; collyrium; lead water; chemical conductors for electrocardiograph electrodes; albuminous foodstuffs for medical purposes; dietetic foods adapted for medical purposes; by-products of the processing of cereals for dietetic or medical purposes; homogenized food adapted for medical purposes; freeze-dried food adapted for medical purposes; pharmaceuticals; sanitary towels; panty liners [sanitary]; propolis for pharmaceutical purposes; pearl powder for medical purposes; radium for medical purposes; hydrated chloral for pharmaceutical purposes; solvents for removing adhesive plasters; vaginal washes for medical purposes; solutions for contact lenses; chemical reagents for medical or veterinary purposes; gum for medical purposes; rubber for dental purposes; chewing gum for medical purposes; nicotine gum for use as an aid to stop smoking; insect repellents; insect repellent incense; repellents for dogs; tissues impregnated with pharmaceutical lotions; sarsaparilla for medical purposes; sugar for medical purposes; asthmatic tea; fumigating sticks; massage candles for therapeutic purposes; suppositories; linseed for pharmaceutical purposes; tobacco-free cigarettes for medical purposes; siccatives [drying agents] for medical purposes; syrups for pharmaceutical purposes; turpentine for pharmaceutical purposes; greases for veterinary purposes; greases for medical purposes; lacteal flour for babies; infant formula; soporifics; bicarbonate of soda for pharmaceutical purposes; bath salts for medical purposes; salts for mineral water baths; salts for medical purposes; potassium salts for medical purposes; sodium salts for medical purposes; smelling salts; mineral water salts; malt for pharmaceutical purposes; semen for artificial insemination; alcohol for pharmaceutical purposes; medicinal alcohol; alloys of precious metals for dental purposes; ergot for pharmaceutical purposes; cooling sprays for medical purposes; antibacterial handwashes; adjuvants for medical purposes; astringents for medical purposes; vermifuges; disinfectants for hygiene purposes; disinfectants for chemical toilets; appetite suppressants for medical purposes; medical preparations for slimming purposes; parasiticides; mouthwashes for medical purposes; febrifuges; depuratives; animal washes [insecticides]; detergents for medical purposes; cattle washes [insecticides]; dog washes [insecticides]; insecticidal veterinary washes; vesicants; purgatives; reme-

dies for perspiration; remedies for foot perspiration; chemical contraceptives; antiparasitic preparations; laxatives; tonics [medicines]; medicated toiletry preparations; digestives for pharmaceutical purposes; nervines; bouillons for bacteriological cultures; steroids; strychnine; serums; tanning pills; appetite suppressant pills; slimming pills; antioxidant pills; sanitary tampons; vulnerary sponges; thymol for pharmaceutical purposes; smoking herbs for medical purposes; medicinal herbs; transplants [living tissues]; surgical implants comprised of living tissues; pants, absorbent, for incontinence; sanitary panties; babies' diaper-pants; charcoal for pharmaceutical purposes; porcelain for dental prostheses; phenol for pharmaceutical purposes; enzymes for veterinary purposes; enzymes for medical purposes; ferments for pharmaceutical purposes; formic aldehyde for pharmaceutical purposes; phosphates for pharmaceutical purposes; fungicides; quinine for medical purposes; chinoline for medical purposes; diabetic bread adapted for medical use; chloroform; flowers of sulfur for pharmaceutical purposes; cement for animal hooves; bone cement for surgical and orthopaedic purposes; dental cements; medicinal tea; herbal teas for medicinal purposes; insecticidal animal shampoos; medicated shampoos; medicated shampoos for pets; pediculicidal shampoos; medicated dry shampoos; pre-filled syringes for medical purposes; eucalyptus for pharmaceutical purposes; herbal extracts for medical purposes; plant extracts for pharmaceutical purposes; tobacco extracts [insecticides]; extracts of hops for pharmaceutical purposes; elixirs [pharmaceutical preparations]; ethers for pharmaceutical purposes; esters for pharmaceutical purposes; cellulose esters for pharmaceutical purposes; rat poison; poisons; bacterial poisons; jalap; disinfectants; all-purpose disinfectants; deodorants for clothing and textiles; acai powder dietetic supplements; cotton swabs for medical purposes; cotton wool swabs for medical purposes; milking grease; douching preparations for medical purposes; sedatives; jujube, medicated; biological tissue cultures for veterinary purposes; biological tissue cultures for medical purposes; fennel for medical purposes; cellulose ethers for pharmaceutical purposes.

7 – 3D printers; vending machines; welding machines, electric; soldering apparatus, gas-operated; vulcanization apparatus; acetylene cleaning apparatus; high pressure washers; apparatus for drawing up beer under pressure; apparatus for aerating water; apparatus for aerating beverages; electrical apparatus for sealing plastics [packaging]; electric arc cutting apparatus; electric arc welding apparatus; electric welding apparatus; inking apparatus for printing machines; electric welding machines; fittings for engine boilers; expansion tanks [parts of machines]; drums [parts of machines]; reels, mechanical, for flexible hoses; brake shoes, other than for vehicles; concrete mixers [machines]; bobbins for weaving looms; harrows; journal boxes [parts of machines]; bulldozers; hoppers [me-

chanical discharging]; mine borers; railway wagon lifts; rolling mill cylinders; crank shafts; printing rollers for machines; camshafts for vehicle engines; transmission shafts, other than for land vehicles; fans for motors and engines; saw benches [parts of machines]; winnowers; vibrators [machines] for industrial use; bearings [parts of machines]; bellows [parts of machines]; agitators; drilling rigs, floating or non-floating; lawnmowers [machines]; card clothing [parts of carding machines]; nail extractors, electric; emergency power generators; alternators; dynamos; bicycle dynamos; current generators; electricity generators; hydraulic controls for machines, motors and engines; mufflers for motors and engines; drilling heads [parts of machines]; drilling bits [parts of machines]; cylinder heads for engines; soldering blow pipes, gas-operated; gas-operated blow torches; raking machines; stalk separators [machines]; sieves [machines or parts of machines]; mud catchers and collectors [machines]; tarring machines; rubber tracks being parts of crawlers on mining machines; rubber tracks being parts of crawlers on snow ploughs; rubber tracks being parts of crawlers on loading-unloading machines and apparatus; rubber tracks being parts of crawlers on agricultural machines; rubber tracks being parts of crawlers on construction machines; hydraulic engines and motors; aeronautical engines; aeroplane engines; engines for air cushion vehicles; compressed air engines; jet engines, other than for land vehicles; engines for boats; driving motors, other than for land vehicles; motors, other than for land vehicles; propulsion mechanisms, other than for land vehicles; disintegrators; tympan [parts of printing presses]; holding devices for machine tools; turf removing ploughs; chisels for machines; jacks [machines]; rack and pinion jacks; moving walkways; electric hand drills; crushers for kitchen use, electric; flues for engine boilers; reapers; reapers and binders; millstones; rakes for raking machines; shredders [machines] for industrial use; kitchen grinders, electric; injectors for engines; incubators for eggs; cutting tools being parts of machines; hand-held tools, other than hand-operated; agricultural implements, other than hand-operated; air condensers; control cables for machines, engines or motors; capstans; calenders; rotary steam presses, portable, for fabrics; ditches [ploughs]; carburettors; sliders for knitting machines; crankcases for machines, motors and engines; steamrollers; pressure valves [parts of machines]; clack valves [parts of machines]; pressure reducers [parts of machines]; tin openers, electric; cowlings [parts of machines]; machine wheels; freewheels, other than for land vehicles; scale collectors for machine boilers; lasts for shoes [parts of machines]; brake pads, other than for vehicles; piston segments; grease rings [parts of machines]; reapers and threshers; coal-cutting machines; compressors [machines]; air pumps [garage installations]; compressors for refrigerators; conveyors [machines]; belt conveyors; converters for steelworks; steam condensers [parts of

machines]; aerocondensers; diggers [machines]; rams [machines]; thermic lances [machines]; boxes for matrices [printing]; gear boxes, other than for land vehicles; grease boxes [parts of machines]; housings [parts of machines]; harvesting machines; steam engine boilers; coffee grinders, other than hand-operated; taps [parts of machines, engines or motors]; cranes [lifting and hoisting apparatus]; roller bridges; water separators; spray guns for paint; cranks [parts of machines]; potters' wheels; cultivators [machines]; soldering lamps; winches; ploughshares; belts for conveyors; igniting magnetos; handling machines, automatic [manipulators]; churns; matrices for use in printing; machine fly-wheels; shearing machines for animals; paper mill machines; blowing machines; knitting machines; galvanizing machines; bending machines; ironing machines; mineworking machines; blowing machines for the compression, exhaustion and transport of gases; blowing machines for the compression, sucking and carrying of grain; net hauling machines [fishing]; electroplating machines; bottle sealing machines; sealing machines for industrial purposes; engraving machines; crushing machines; waste disposal units; earth moving machines; cord making machines; lace making machines; butter machines; cigarette machines for industrial purposes; sausage making machines; stereotype machines; hosiery looms; grinding machines; dyeing machines; bottle washing machines; dishwashers; bottle filling machines; racket stringing machines; leather-working machines; dairy machines; glass-working machines; tobacco processing machines; grain husking machines; painting machines; oil refining machines; peeling machines; machines for processing plastics; printing machines for use on sheet metal; brewing machines; whitewashing machines; road sweeping machines, self-propelled; bitumen making machines; papermaking machines; pasta making machines; machines for the production of sugar; weeding machines; sifting machines; puddling machines; notchers [machine tools]; bread cutting machines; road making machines; railroad constructing machines; rammers [machines]; rail-laying machines; bottle capping machines; bottle stoppering machines; packaging machines; waste compacting machines; die-stamping machines; stamping machines; darning machines; drainage machines; wrapping machines; grain separators; bookbinding apparatus and machines for industrial purposes; machines and apparatus for cleaning, electric; machines and apparatus for carpet shampooing, electric; machines and apparatus for polishing [electric]; size adjustment cutting machines for industrial purposes; punching machines; riveting machines; kitchen machines, electric; foundry machines; smoothing presses; fleshing machines; washing machines; flour mill machines; type-setting machines [printing]; hemming machines; grating machines for vegetables; braiding machines; wringing machines for laundry; cutting machines; steam engines; printing machines; rotary printing presses; compressed air ma-

chines; tilling machines for agricultural purposes; trimming machines; spinning machines; filling machines; friezing machines; cutters [machines]; satinizing machines; agricultural machines; mixing machines; sorting machines for industry; stitching machines; washing machines [laundry]; coin-operated washing machines; clippers [machines]; spinning frames; spin dryers [not heated]; looms; kneading machines; typographic machines; type-setting machines [photocomposition]; beating machines; beaters, electric; packing machines; filtering machines; moulding machines; carding machines; sewing machines; typecasting machines; electromechanical machines for chemical industry; labellers [machines]; mills [machines]; mills for household purposes, other than hand-operated; pepper mills, other than hand-operated; centrifugal mills; machine wheelwork; feeders [parts of machines]; forge blowers; mixers [machines]; blenders, electric, for household purposes; vacuum cleaner bags; threshing machines; pneumatic hammers; hammers [parts of machines]; tilt hammers; power hammers; reeling apparatus, mechanical; motorized cultivators; motors for boats; clutches, other than for land vehicles; meat cutters [machines]; superchargers; brake linings, other than for vehicles; guides for machines; suction nozzles for vacuum cleaners; vacuum cleaner attachments for disseminating perfumes and disinfectants; pumps [machines]; pumps [parts of machines, engines or motors]; aerating pumps for aquaria; vacuum pumps [machines]; compressed air pumps; pumps for heating installations; beer pumps; pumps for counter-current swimming; lubricating pumps; self-regulating fuel pumps; fuel dispensing pumps for service stations; centrifugal pumps; knives [parts of machines]; knives for mowing machines; chaff cutter blades; knives, electric; shears, electric; scissors, electric; vegetable spiralizers, electric; engine mounts, other than for land vehicles; bearing brackets for machines; pulverisers [machines]; axles for machines; steam traps; chucks [parts of machines]; drill chucks [parts of machines]; exhaust manifold for engines; soldering irons, gas-operated; soldering irons, electric; superheaters; gears, other than for land vehicles; reduction gears, other than for land vehicles; drilling machines; saws [machines]; chain saws; guns [tools using explosive cartridges]; glue guns, electric; compressed air guns for the extrusion of mastics; carburetter feeders; feeding apparatus for engine boilers; loading ramps; ploughs; pneumatic transporters; pneumatic controls for machines, motors and engines; hangers [parts of machines]; anti-friction bearings for machines; roller bearings; self-oiling bearings; bearings for transmission shafts; ball-bearings; elevators [lifts]; hoists; lifts, other than ski-lifts; pulleys; saw blades [parts of machines]; pistons [parts of machines or engines]; shock absorber plungers [parts of machines]; pistons for engines; pistons for cylinders; catalytic converters; torque converters, other than for land vehicles; fuel conversion apparatus for internal combustion engines;

presses [machines for industrial purposes]; wine presses; basket presses; fruit presses, electric, for household purposes; fodder presses; printing presses; typographic presses; swaging machines; pedal drives for sewing machines; cleaning appliances utilizing steam; food processors, electric; springs [parts of machines]; spinning wheels; punches for punching machines; vacuum cleaners; tambours for embroidery machines; radiators [cooling] for motors and engines; sewage pulverizers; air brushes for applying colour; regulators [parts of machines]; pressure regulators [parts of machines]; speed governors for machines, engines and motors; knives being parts of machines; cutting blow pipes, gas-operated; blade holders [parts of machines]; loom shafts; gears for weaving looms; belts for machines; elevator belts; fan belts for motors and engines; dynamo belts; belts for motors and engines; adhesive bands for pulleys; industrial robots; 3D printing pens; kick starters for motorcycles; joysticks being parts of machines, other than for game machines; stuffing boxes [parts of machines]; paper feeders [printing]; whisks, electric, for household purposes; sparking plugs for internal combustion engines; glow plugs for Diesel engines; brake segments, other than for vehicles; tedding machines; steam/oil separators; cream/milk separators; ball rings for bearings; sowers [machines]; pigs for cleaning pipes; snow ploughs; sheaf-binding machines; shaft couplings [machines]; juice extractors, electric; straw [chaff] cutters; suction cups for milking machines; stands for machines; machine tools; die-cutting and tapping machines; wood-working machines; sharpening machines; bicycle assembling machines; mortising machines; stone-working machines; metalworking machines; threading machines; planing machines; lathes [machine tools]; milling machines; metal drawing machines; rolling mills; starters for motors and engines; stators [parts of machines]; glaziers' diamonds [parts of machines]; tables for machines; derricks; slide rests [parts of machines]; couplings, other than for land vehicles; heat exchangers [parts of machines]; transmissions for machines; transmission mechanisms, other than for land vehicles; boiler tubes [parts of machines]; wind turbines; hydraulic turbines; turbines, other than for land vehicles; turbocompressors; connecting rods for engines; central vacuum cleaning installations; suction machines for industrial purposes; washing installations for vehicles; degreasers [machines]; dust exhausting installations for cleaning purposes; machines for the mineralization of drinking water; sifting installations; pneumatic tube conveyors; dust removing installations for cleaning purposes; condensing installations; pneumatic waste oil drainers; lifting apparatus; air suction machines; dividing machines; igniting devices for internal combustion engines; door closers, hydraulic; door closers, pneumatic; door closers, electric; window closers, pneumatic; washing apparatus; binding apparatus for hay; haulage apparatus [mining]; door openers, hydraulic; door openers,

pneumatic; door openers, electric; curtain drawing devices, electrically operated; adhesive tape dispensers [machines]; anti-pollution devices for motors and engines; beverage preparation machines, electromechanical; food preparation machines, electromechanical; elevator operating apparatus; control mechanisms for machines, engines or motors; shoe polishers, electric; machines and apparatus for wax-polishing, electric; air cushion devices for moving loads; handling apparatus for loading and unloading; elevating apparatus; aprons [parts of machines]; filter presses; filters [parts of machines or engines]; filters for cleaning cooling air, for engines; moulds [parts of machines]; printing plates; journals [parts of machines]; centrifugal machines; elevator chains [parts of machines]; drive chains, other than for land vehicles; transmission chains, other than for land vehicles; cylinders for motors and engines; cylinders for machines; printing cylinders; pneumatic jacks; shuttles [parts of machines]; universal joints [Cardan joints]; pulleys [parts of machines]; vacuum cleaner hoses; screwdrivers, electric; brushes [parts of machines]; dynamo brushes; brushes, electrically operated [parts of machines]; carbon brushes [electricity]; ejectors; fuel economisers for motors and engines; excavators; shovels, mechanical; agricultural elevators; motors, electric, other than for land vehicles; electrodes for welding machines; electric hammers; parquet wax-polishers, electric; cartridges for filtering machines; moving staircases [escalators]; automatic grapnels for marine purposes; reels [parts of machines]; valves [parts of machines]; water heaters being parts of machines; exhausts for motors and engines; de-aerators for feedwater; pump diaphragms; ski edge sharpening tools, electric; mechanized feeders for animals; grindstones [parts of machines]; lubricators [parts of machines]; embossing machines; finishing machines; blade sharpening [stropping] machines; ore treating machines; leather paring machines; cinder sifters [machines]; machines for the textile industry; milking machines; joints [parts of engines]; window closers, hydraulic; window closers, electric; window openers, hydraulic; window openers, pneumatic; window openers, electric; brushes for vacuum cleaners.

8 – Glaziers' diamonds [parts of hand tools]; apparatus for tattooing; razors, electric or non-electric; sharpening steels; scythe stones; gimlets [hand tools]; borers; augers [hand tools]; carpenters' augers; dibbers, hand-operated; levers; table forks; agricultural forks [hand tools]; lawn clippers [hand instruments]; harpoons; harpoons for fishing; nail extractors, hand-operated; rakes [hand tools]; sand trap rakes; cutter bars [hand tools]; whetstone holders; priming irons [hand tools]; sculptors' chisels; lifting jacks, hand-operated; truncheons; clamps for carpenters or coopers; spades [hand tools]; rabbeting planes; chisels; engraving needles; tattoo needles; cutlery; edge tools [hand tools]; garden tools, hand-operated; abrading instruments [hand instruments]; numbering punches; goffering

irons; implements for decanting liquids [hand tools]; depilation appliances, electric and non-electric; sharpening instruments; blade sharpening instruments; livestock marking tools; oyster openers; polishing irons [glazing tools]; ear-piercing apparatus; tube cutting instruments; wire strippers [hand tools]; riveters [hand tools]; expanders [hand tools]; cutting tools [hand tools]; ski edge sharpening tools, hand-operated; hand tools, hand-operated; stamping-out tools [hand tools]; picks [hand tools]; sharpening stones; punch rings [knuckle dusters]; trowels; centre punches [hand tools]; daggers; pickaxes; mallets [hand instruments]; pliers; punch pliers [hand tools]; blades [weapons]; annular screw plates; spanners [hand tools]; tap wrenches; ladles [hand tools]; foundry ladles [hand tools]; breast drills; lasts [shoemakers' hand tools]; scythe rings; instruments for punching tickets; diggers [hand tools]; rams [hand tools]; scythes; hainault scythes; fire irons; emery grinding wheels; grindstones [hand tools]; sledgehammers; thistle extractors [hand tools]; tree pruners; nail drawers [hand tools]; ice picks; blades [hand tools]; razor blades; blades for planes; plane irons; jig-saws; spoons; table knives, forks and spoons for babies; table knives, forks and spoons of plastic; crow bars; shovels [hand tools]; palette knives; machetes; beard clippers; hair clippers for personal use, electric and non-electric; hair clippers for animals [hand instruments]; taps [hand tools]; fireplace bellows [hand tools]; swords; hammers [hand tools]; fullers [hand tools]; stone hammers; masons' hammers; riveting hammers [hand tools]; mattocks; hoes [hand tools]; ditchers [hand tools]; mincing knives; manicure sets; manicure sets, electric; pedicure sets; needle files; bits [hand tools]; files [tools]; emery files; air pumps, hand-operated; hand pumps; shaving cases; cheese slicers, non-electric; fruit segmenters; egg slicers, non-electric; non-electric pizza cutters; scaling knives; hobby knives [scalpels]; fruit corers; moulding irons; ceramic knives; tin openers, non-electric; farriers' knives; budding knives; hunting knives; penknives; grafting tools [hand tools]; braiders [hand tools]; box cutters; bill-hooks; paring knives; knives; cleavers; wick trimmers [scissors]; cattle shearers; border shears; pruning shears; shearers [hand instruments]; scissors; sword scabbards; kitchen mandolines; vegetable spiralizers, hand-operated; vegetable peelers [hand tools]; agricultural implements, hand-operated; side arms, other than firearms; stropping instruments; screwdrivers, non-electric; stirring sticks for mixing paint; reamer sockets; drill holders [hand tools]; perforating tools [hand tools]; rammers [hand tools]; emery boards; nail files; nail files, electric; saws [hand tools]; bow saws; tweezers; hair-removing tweezers; guns [hand tools]; non-electric caulking guns; guns, hand-operated, for the extrusion of mastics; dies [hand tools]; fruit pickers [hand tools]; saw blades [parts of hand tools]; shear blades; tool belts [holders]; hair braiders, electric; table cutlery [knives, forks and spoons]; crimping irons; hand im-

plements for hair curling; vegetable choppers; money scoops; instruments and tools for skinning animals; hackles [hand tools]; pin punches; nail punches; fish tapes [hand tools]; punches [hand tools]; insecticide vaporizers [hand tools]; syringes for spraying insecticides; reamers; frames for handsaws; saw holders; rasps [hand tools]; paring irons [hand tools]; graving tools [hand tools]; milling cutters [hand tools]; razor strops; leather strops; planes; scythe handles; knife handles; handles for hand-operated hand tools; marline spikes; bits [parts of hand tools]; hollowing bits [parts of hand tools]; pruning scissors; silver plate [knives, forks and spoons]; pruning knives; sickles; drawing knives; scrapers [hand tools]; scrapers for skis; mortise chisels; caulking irons; gouges [hand tools]; mortars for pounding [hand tools]; mitre boxes [hand tools]; branding irons; hatchets; adzes [tools]; vices; bench vices [hand implements]; hoop cutters [hand tools]; axes; holing axes; fulling tools [hand tools]; earth rammers [hand tools]; tube cutters [hand tools]; squares [hand tools]; extension pieces for braces for screw taps; embossers [hand tools]; apparatus for destroying plant parasites, hand-operated; metal wire stretchers [hand tools]; metal band stretchers [hand tools]; flat irons; irons [non-electric hand tools]; razor cases; ratchets [hand tools]; scraping tools [hand tools]; awls; choppers being knives; spatulas [hand tools]; spatulas for use by artists; wine bottle foil cutters, hand-operated; bayonets; pincers; curling tongs; cuticle tweezers; eyelash curlers; pickhammers; nail clippers, electric or non-electric; nail nippers; trowels [gardening]; putty knives; shears; sabres; fingernail polishers, electric or non-electric; cutters.

9 – 3D spectacles; DVD players; ticket dispensers; juke boxes, musical; fire engines; answering machines; electrical adapters; batteries for electronic cigarettes; accumulators, electric; batteries, electric, for vehicles; accelerometers; actinometers; alidades; altimeters; ammeters; anemometers; anodes; aerials; anticathodes; apertometers [optics]; high-frequency apparatus; testing apparatus not for medical purposes; electro-dynamic apparatus for the remote control of railway points; electro-dynamic apparatus for the remote control of signals; remote control apparatus; monitoring apparatus, other than for medical purposes; sound recording apparatus; Global Positioning System [GPS] apparatus; distillation apparatus for scientific purposes; diffraction apparatus [microscopy]; air analysis apparatus; apparatus to check franking; sound transmitting apparatus; fermentation apparatus for laboratory use; breathing apparatus for underwater swimming; breathing apparatus, except for artificial respiration; apparatus and installations for the production of X-rays, not for medical purposes; cash registers; electric apparatus for commutation; intercommunication apparatus; stills for laboratory experiments; projection apparatus; fire extinguishing apparatus; radiological apparatus for industrial purposes; X-ray apparatus not for medical purposes; blueprint apparatus;

flashing lights [luminous signals]; stereoscopic apparatus; telephone apparatus; facsimile machines; photo-telegraphy apparatus; igniting apparatus, electric, for igniting at a distance; salinometers; acidimeters for batteries; aerometers; battery jars; barometers; anode batteries; galvanic batteries; ignition batteries; solar batteries; solar panels for the production of electricity; batteries, electric; balances [steelyards]; betatrons; binoculars; biochips; electronic tags for goods; lens hoods; magnetic tape units for computers; computer memory devices; fire hose nozzles; encoded identification bracelets, magnetic; connected bracelets [measuring instruments]; safety tarpaulins; electronic key fobs being remote control apparatus; bullet-proof clothing; signalling buoys; life buoys; marking buoys; vacuum gauges; electrolysis apparatus for laboratory use; variometers; scales; baby scales; bathroom scales; letter scales; weighbridges; precision balances; scales with body mass analysers; camcorders; video cassettes; video telephones; video screens; viewfinders, photographic; micrometer screws for optical instruments; viscosimeters; circuit closers; wavemeters; voltmeters; luminous signs; switchboxes [electricity]; current rectifiers; gas testing instruments; gasometers [measuring instruments]; galvanometers; hands-free kits for telephones; heliographic apparatus; hygrometers; hydrometers; weights; peepholes [magnifying lenses] for doors; holograms; plotters; loudspeakers; plumb bobs; range finders; densimeters; densitometers; detectors; smoke detectors; infrared detectors; counterfeit coin detectors; joysticks for use with computers, other than for video games; transparencies [photography]; slide projectors; diaphragms [photography]; dictating machines; dynamometers; light-emitting diodes [LED]; floppy disks; phonograph records; disks, magnetic; optical discs; disk drives for computers; juke boxes for computers; wearable video display monitors; electronic numeric displays; DNA chips; electronic interactive whiteboards; electronic notice boards; electric wire harnesses for automobiles; bullet-proof vests; life jackets; reflective safety vests; identification threads for electric wires; nose clips for divers and swimmers; locks, electric; bells [warning devices]; alarm bells, electric; electric door bells; signal bells; acoustic conduits; mirrors for inspecting work; road signs, luminous or mechanical; marine depth finders; probes for scientific purposes; buzzers; needles for surveying compasses; needles for record players; eyewear; reflective articles for wear, for the prevention of accidents; measures; pressure measuring apparatus; simulators for the steering and control of vehicles; inverters [electricity]; pressure indicators; temperature indicators; incubators for bacteria culture; measuring instruments; cosmographic instruments; mathematical instruments; levelling instruments; instruments containing eyepieces; surveying instruments; azimuth instruments; interfaces for computers; ionization apparatus not for the treatment of air or water; satellite finder meters; spark-guards; coaxial cables; fib-

re optic cables; cables, electric; calipers; slide calipers; screw-tapping gauges; calorimeters; calculating machines; pocket calculators; decompression chambers; rearview cameras for vehicles; cinematographic cameras; thermal imaging cameras; mouth guards for sports; life-saving capsules for natural disasters; electronic pens [visual display units]; holders for electric coils; identity cards, magnetic; video game cartridges; toner cartridges, unfilled, for printers and photocopiers; memory cards for video game machines; encoded magnetic cards; riding helmets; carriers for dark plates [photography]; automated teller machines [ATM]; cathodes; spools [photography]; choking coils [impedance]; coils, electric; electromagnetic coils; cinematographic film, exposed; computer keyboards; solenoid valves [electromagnetic switches]; wire connectors [electricity]; thin client computers; encoded key cards; electronic book readers; electronic agendas; push buttons for bells; magnetic encoders; visors for helmets; collectors, electric; calibrating rings; smart rings; ring sizers; protective suits for aviators; commutators; compact discs [audio-video]; compact discs [read-only memory]; comparators; marine compasses; computers; laptop computers; tablet computers; notebook computers; wearable computers; condensers [capacitors]; contacts, electric; wind socks for indicating wind direction; traffic cones; branch boxes [electricity]; distribution boxes [electricity]; junction boxes [electricity]; battery boxes; cabinets for loudspeakers; diving suits; galena crystals [detectors]; covers for electric outlets; logs [measuring instruments]; lasers, not for medical purposes; lactodensimeters; lactometers; vacuum tubes [radio]; darkroom lamps [photography]; thermionic valves; amplifying tubes; flashlights [photography]; head cleaning tapes [recording]; magnetic tapes; videotapes; surveying chains; fire escapes; rulers [measuring instruments]; square rulers for measuring; slide-rules; contact lenses; correcting lenses [optics]; optical lenses; optical condensers; sounding lines; electricity conduits; measuring spoons; magnifying glasses [optics]; thread counters; magnets; decorative magnets; crash test dummies; resuscitation mannequins [teaching apparatus]; pressure gauges; security tokens [encryption devices]; divers' masks; solderers' helmets; protective masks, not for medical purposes; respiratory masks, other than for artificial respiration; materials for electricity mains [wires, cables]; voting machines; money counting and sorting machines; material testing instruments and machines; furniture especially made for laboratories; megaphones; portable media players; diaphragms [acoustics]; diaphragms for scientific apparatus; metal detectors for industrial or military purposes; digital weather stations; metronomes; rules [measuring instruments]; carpenters' rules; dressmakers' measures; mechanisms for coin-operated apparatus; mechanisms for counter-operated apparatus; coin-operated mechanisms for television sets; shutter releases [photography]; micrometers; microprocessors; microscopes; microtomes;

microphones; audio mixers; modems; lightning conductors; monitors [computer hardware]; monitors [computer programs]; selfie sticks [handheld monopods]; terminals [electricity]; junction sleeves for electric cables; teeth protectors; temperature indicator labels, not for medical purposes; knee-pads for workers; headphones; surveyors' levels; sound recording carriers; magnetic data media; optical data media; electronic sheet music, downloadable; computer software; sheaths for electric cables; identification sheaths for electric wires; weighing machines; computer hardware; punched card machines for offices; life saving equipment; objectives [lenses] [optics]; lenses for astrophotography; selfie lenses; egg-candlers; fire extinguishers; rescue laser signalling flares; electrified fences; limiters [electricity]; clothing for protection against accidents, irradiation and fire; clothing for protection against fire; asbestos clothing for protection against fire; clothing especially made for laboratories; ozonisers [ozonators]; octants; eyepieces; ohmmeters; wrist rests for use with computers; spectacle frames; oscillographs; plumb lines; mirrors [optics]; spectacles; sunglasses; goggles for sports; finger sizers; signalling panels, luminous or mechanical; radio pagers; pince-nez; electronic pocket translators; transmitters [telecommunication]; telephone transmitters; transmitters of electronic signals; switches, electric; periscopes; gloves for divers; gloves for protection against accidents; gloves for protection against X-rays for industrial purposes; asbestos gloves for protection against accidents; furnaces for laboratory use; pipettes; pyrometers; planimeters; plane tables [surveying instruments]; plates for batteries; computer software platforms, recorded or downloadable; wafers for integrated circuits; printed circuit boards; compact disc players; cassette players; sound recording strips; X-ray films, exposed; films, exposed; life-saving rafts; laboratory trays; digital signs; semiconductors; polarimeters; personal digital assistants [PDAs]; fire pumps; measuring glassware; life belts; fuses; circuit breakers; converters, electric; telerupters; food analysis apparatus; diagnostic apparatus, not for medical purposes; distance recording apparatus; distance measuring apparatus; speed measuring apparatus [photography]; appliances for measuring the thickness of leather; apparatus for measuring the thickness of skins; speed checking apparatus for vehicles; teaching apparatus; time recording apparatus; apparatus and instruments for astronomy; surveying apparatus and instruments; weighing apparatus and instruments; nautical apparatus and instruments; navigational instruments; optical apparatus and instruments; apparatus and instruments for physics; chemistry apparatus and instruments; measuring apparatus; measuring devices, electric; boiler control instruments; meteorological instruments; naval signalling apparatus; observation instruments; navigation apparatus for vehicles [on-board computers]; satellite navigational apparatus; regulating apparatus, electric; telecommunication appa-

ratus in the form of jewellery; precision measuring apparatus; audio- and video-receivers; prisms [optics]; computer software applications, downloadable; printers for use with computers; hemline markers; retorts' stands; apparatus for changing record player needles; drainers for use in photography; cleaning apparatus for phonograph records; fire beaters; sighting telescopes for firearms; telescopic sights for artillery; test tubes; pressure indicator plugs for valves; magnetic wires; telegraph wires; telephone wires; wires, electric; conductors, electric; copper wire, insulated; fuse wire; computer programs, recorded; game programs for computers; computer programs [downloadable software]; computer operating programs, recorded; computer screen saver software, recorded or downloadable; record players; processors [central processing units]; rods for water diviners; electronic publications, downloadable; distribution consoles [electricity]; control panels [electricity]; radar apparatus; baby monitors; masts for wireless aerials; transmitting sets [telecommunication]; radios; vehicle radios; sprinkler systems for fire protection; frames for photographic transparencies; screens for photoengraving; flowmeters; walkie-talkies; voltage surge protectors; voltage regulators for vehicles; stage lighting regulators; speed regulators for record players; cell switches [electricity]; washing trays [photography]; marking gauges [joinery]; T-squares for measuring; time switches, automatic; relays, electric; X-ray photographs, other than for medical purposes; rheostats; respirators for filtering air; retorts; refractometers; refractors; grids for batteries; security surveillance robots; laboratory robots; teaching robots; humanoid robots with artificial intelligence for use in scientific research; speaking tubes; horns for loudspeakers; subwoofers; saccharometers; optical fibres [light conducting filaments]; traffic-light apparatus [signalling devices]; dog whistles; signalling whistles; sports whistles; sextants; inductors [electricity]; safety nets; nets for protection against accidents; fire alarms; signals, luminous or mechanical; sirens; electronic access control systems for interlocking doors; scanners [data processing equipment]; hand-held electronic dictionaries; integrated circuit cards [smart cards]; smartglasses; smartphones; smartwatches; connections for electric lines; couplings, electric; sonars; sound locating instruments; lighting ballasts; resistances, electric; spectrograph apparatus; spectrosopes; speed indicators; alcoholmeters; satellites for scientific purposes; protection devices for personal use against accidents; audiovisual teaching apparatus; charging stations for electric vehicles; radiotelegraphy sets; radiotelephony sets; spectacle lenses; anti-glare glasses; optical glass; personal stereos; stereoscopes; stands for photographic apparatus; stroboscopes; fire boats; sulfimeters; bags adapted for laptops; drying racks [photography]; spherometers; integrated circuits; printed circuits; counters; parking meters; mileage recorders for vehicles; revolution counters; abacuses; egg timers [sandglas-

ses]; taximeters; ear plugs for divers; tachometers; television apparatus; telegraphs [apparatus]; telescopes; teleprompters; teleprinters; cordless telephones; theodolites; interactive touch screen terminals; thermo-hygrometers; thermometers, not for medical purposes; thermostats; thermostats for vehicles; crucibles [laboratory]; tone arms for record players; totalizers; transistors [electronic]; transponders; protractors [measuring instruments]; transformers [electricity]; step-up transformers; resuscitation training simulators; vehicle breakdown warning triangles; triodes; starter cables for motors; discharge tubes, electric, other than for lighting; capillary tubes for laboratory use; neon signs; Pitot tubes; X-ray tubes not for medical purposes; telephone receivers; squares for measuring; gauges; quantity indicators; automatic indicators of low pressure in vehicle tyres; petrol gauges; water level indicators; electric loss indicators; light-emitting electronic pointers; slope indicators; levels [instruments for determining the horizontal]; mercury levels; spirit levels; urinometers; amplifiers; particle accelerators; electric installations for the remote control of industrial operations; steering apparatus, automatic, for vehicles; balancing apparatus; video recorders; sound reproduction apparatus; invoicing machines; tape recorders; protection devices against X-rays, not for medical purposes; railway traffic safety appliances; data processing apparatus; oxygen transvasing apparatus; theft prevention installations, electric; film cutting apparatus; drying apparatus for photographic prints; optical character readers; centering apparatus for photographic transparencies; dosage dispensers; battery chargers; chargers for electric accumulators; chargers for electronic cigarettes; acoustic alarms; sounding apparatus and machines; apparatus for editing cinematographic film; cathodic anti-corrosion apparatus; couplers [data processing equipment]; anti-theft warning apparatus; computer peripheral devices; anti-interference devices [electricity]; demagnetizing apparatus for magnetic tapes; acoustic couplers; alarms; fog signals, non-explosive; whistle alarms; adding machines; readers [data processing equipment]; heat regulating apparatus; photocopiers [photographic, electrostatic, thermic]; electric and electronic effects units for musical instruments; bar code readers; downloadable image files; downloadable music files; animated cartoons; filters for respiratory masks; filters for ultraviolet rays, for photography; USB flash drives; magic lanterns; optical lanterns; signal lanterns; cameras [photography]; glazing apparatus for photographic prints; shutters [photography]; darkrooms [photography]; photometers; flash-bulbs [photography]; digital photo frames; enlarging apparatus [photography]; photovoltaic cells; containers for contact lenses; spectacle cases; containers for microscope slides; cases for smartphones; cases especially made for photographic apparatus and instruments; chromatography apparatus for laboratory use; chronographs [time recording apparatus]; laboratory centrifuges; spectacle

chains; cyclotrons; compasses for measuring; frequency meters; time clocks [time recording devices]; Petri dishes; sleeves for laptops; covers for personal digital assistants [PDAs]; covers for tablet computers; fire blankets; chips [integrated circuits]; jigs [measuring instruments]; pedometers; meteorological balloons; electrified rails for mounting spot lights; asbestos screens for firemen; fire hose; virtual reality headsets; protective helmets for sports; head guards for sports; snorkels; cell phone straps; spectacle cords; tripods for cameras; switchboards; distribution boards [electricity]; equalizers [audio apparatus]; screens [photography]; workmen's protective face-shields; projection screens; radiology screens for industrial purposes; fluorescent screens; exposure meters [light meters]; ducts [electricity]; galvanic cells; downloadable graphics for mobile phones; epidiascopes; ergometers; armatures [electricity]; black boxes [data recorders]; magnetic resonance imaging [MRI] apparatus, not for medical purposes; acid hydrometers; beacons, luminous; directional compasses; verniers; levelling staffs [surveying instruments]; video baby monitors; electric plugs; electric sockets; plug connectors; electrical plugs and sockets; current plugs; mechanical signs; sounding leads; circular slide rules; audio interfaces; protective helmets; mouse pads; close-up lenses; mouse [computer peripheral]; shoes for protection against accidents, irradiation and fire; electronic collars to train animals; protective films adapted for computer screens; protective films adapted for smartphone screens; light dimmers [regulators], electric; safety restraints, other than for vehicle seats and sports equipment; mobile telephones; wearable activity trackers; downloadable ring tones for mobile phones; filters for use in photography; protective cases for smartphones.

10 – Analysers for bacterial identification for medical purposes; blood testing apparatus; testing apparatus for medical purposes; anaesthetic apparatus; galvanic therapeutic appliances; apparatus for artificial respiration; apparatus for the treatment of deafness; physical exercise apparatus for medical purposes; body rehabilitation apparatus for medical purposes; dental apparatus and instruments; surgical apparatus and instruments; resuscitation apparatus; dental apparatus, electric; physiotherapy apparatus; bed vibrators; hot air therapeutic apparatus; diagnostic apparatus for medical purposes; traction apparatus for medical purposes; radiotherapy apparatus; microdermabrasion apparatus; fumigation apparatus for medical purposes; apparatus for the regeneration of stem cells for medical purposes; apparatus for DNA and RNA testing for medical purposes; apparatus and installations for the production of X-rays, for medical purposes; magnetic resonance imaging [MRI] apparatus for medical purposes; radiological apparatus for medical purposes; X-ray apparatus for medical purposes; hearing aids; nasal aspirators; trusses; maternity belts; bandages, elastic; cupping glasses; dental burs; bracelets for medical purposes; anti-nausea wristbands; anti-rheumatism



bracelets; feeding bottles; vaporizers for medical purposes; hot air vibrators for medical purposes; vibromassage apparatus; gastroscopes; haemocytometers; lice combs; surgical sponges; defibrillators; dialyzers; containers especially made for medical waste; clips, surgical; mirrors for dentists; mirrors for surgeons; probes for medical purposes; urethral probes; artificial teeth; acupuncture needles; suture needles; needles for medical purposes; orthopedic articles; biodegradable bone fixation implants; surgical implants comprised of artificial materials; inhalers; hydrogen inhalers; injectors for medical purposes; incubators for medical purposes; incubators for babies; obstetric apparatus; obstetric apparatus for cattle; electric acupuncture instruments; surgical cutlery; insufflators; endoscopy cameras for medical purposes; cannulae; droppers for medical purposes; dropper bottles for medical purposes; heart pacemakers; tonometers; catheters; catgut; draw-sheets for sick beds; enema apparatus for medical purposes; artificial skin for surgical purposes; menstrual cups; teething rings; anti-rheumatism rings; compressors [surgical]; thermo-electric compresses [surgery]; abdominal corsets; corsets for medical purposes; crutches; dentists' armchairs; armchairs for medical or dental purposes; beds specially made for medical purposes; feeding bottle valves; love dolls [sex dolls]; lasers for medical purposes; lamps for medical purposes; quartz lamps for medical purposes; ultraviolet ray lamps for medical purposes; lancets; lenses [intraocular prostheses] for surgical implantation; spoons for administering medicine; masks for use by medical personnel; respiratory masks for artificial respiration; anaesthetic masks; suture materials; childbirth mattresses; air mattresses for medical purposes; air beds for medical purposes; waterbeds for medical purposes; furniture especially made for medical purposes; water bags for medical purposes; douche bags; breast pumps; body fat monitors; body composition monitors; urinals being vessels; portable hand-held urinals; teeth protectors for dental purposes; temperature indicator labels for medical purposes; knee bandages, orthopaedic; tips for crutches; fingerstalls for medical purposes; medical guidewires; pumps for medical purposes; thread, surgical; knives for surgical purposes; scissors for surgery; ambulance stretchers; stretchers, wheeled; boots for medical purposes; orthopaedic footwear; clothing especially for operating rooms; compression garments; blankets, electric, for medical purposes; supports for flat feet; keratometers; ophthalmoscopes; cooling pads for first aid purposes; slings [support bandages]; gloves for massage; gloves for medical purposes; pessaries; saws for surgical purposes; ear picks; cooling patches for medical purposes; spittoons for medical purposes; plaster bandages for orthopaedic purposes; orthopaedic bandages for joints; support bandages; abdominal pads; cushions for medical purposes; pads for preventing pressure sores on patient bodies; air pillows for medical purposes; soporific pillows for insomnia; heating cushions, elec-

tric, for medical purposes; abdominal belts; galvanic belts for medical purposes; hypogastric belts; belts for medical purposes; orthopaedic belts; umbilical belts; belts, electric, for medical purposes; condoms; aerosol dispensers for medical purposes; sphygmotensimeters; pulse meters; esthetic massage apparatus; massage apparatus; veterinary apparatus and instruments; medical apparatus and instruments; urological apparatus and instruments; orthodontic appliances; brushes for cleaning body cavities; patient hoists; appliances for washing body cavities; corn knives; incontinence sheets; sterile sheets, surgical; surgical drapes; artificial eyes; artificial breasts; dentures; artificial limbs; artificial jaws; ice bags for medical purposes; toe separators for orthopaedic purposes; surgical bougies; orthodontic rubber bands; X-ray photographs for medical purposes; respirators for artificial respiration; surgical robots; strait jackets; sex toys; scalpels; tongue scrapers; dummies for babies; feeding bottle teats; baby feeding dummies; receptacles for applying medicines; spirometers [medical apparatus]; vaginal syringes; implantable subcutaneous drug delivery devices; hearing protectors; contraceptives, non-chemical; orthopaedic soles; stents; stethoscopes; operating tables; commode chairs; basins for medical purposes; bed pans; instrument cases for use by doctors; arch supports for footwear; ear plugs [hearing protection devices]; thermal packs for first aid purposes; thermometers for medical purposes; tomographs for medical purposes; trocars; walking sticks for medical purposes; drainage tubes for medical purposes; X-ray tubes for medical purposes; radium tubes for medical purposes; balling guns; protection devices against X-rays, for medical purposes; apparatus for acne treatment; filters for ultraviolet rays, for medical purposes; wheeled walkers to aid mobility; walking frames for disabled persons; cases fitted for medical instruments; elastic stockings for surgical purposes; stockings for varices; splints, surgical; tongue depressors for medical purposes; syringes for injections; syringes for medical purposes; hypodermic syringes; uterine syringes; urethral syringes; pins for artificial teeth; obstetrical forceps; castrating pincers; radiology screens for medical purposes; electrodes for medical use; electrocardiographs; brain pacemakers; air cushions for medical purposes; hair prostheses; ear trumpets; quad canes for medical purposes; walking aids for medical purposes.

11 – Lampshades; steam accumulators; heat accumulators; defrosters for vehicles; disinfectant apparatus for medical purposes; distillation apparatus; desiccating apparatus; hydromassage bath apparatus; disinfectant apparatus; air deodorizing apparatus; tanning beds; ionization apparatus for the treatment of air or water; coffee roasters; beverage cooling apparatus; hand drying apparatus for washrooms; fruit roasters; water purifying apparatus and machines; refrigerating apparatus and machines; drying apparatus and installations; freezers; heating and cooling apparatus for

dispensing hot and cold beverages; drying apparatus; structural framework for ovens; coolers for furnaces; expansion tanks for central heating installations; flushing tanks; refining towers for distillation; bidets; boilers, other than parts of machines; bath tubs; spa baths [vessels]; bath tubs for sitz baths; waffle irons, electric; fans [air-conditioning]; fans [parts of air-conditioning installations]; electric fans for personal use; roasting spits; refrigerating display cabinets; heated display cabinets; water heaters; water flushing installations; air reheaters; extractor hoods for kitchens; gas condensers, other than parts of machines; acetylene generators; microbubble generators for baths; hydrants; fairy lights for festive decoration; burners; acetylene burners; gas burners; burners for lamps; germicidal burners; incandescent burners; oxyhydrogen burners; laboratory burners; oil burners; alcohol burners; hot water bottles; footwarmers, electric or non-electric; bed warmers; pocket warmers; warming pans; roasting apparatus; lampshade holders; stills; showers; refrigerating containers; gas lighters; grill lighters; candle lighters; friction lighters for igniting gas; chimney blowers; coils [parts of distilling, heating or cooling installations]; furnace ash boxes; evaporators; shower cubicles; Turkish bath cabinets, portable; heating apparatus; cool boxes, electric; refrigerating chambers; fireplaces, domestic; chimney flues; air valves for steam heating installations; level controlling valves in tanks; thermostatic valves [parts of heating installations]; electrically heated carpets; light bulbs; light bulbs, electric; solar thermal collectors [heating]; distillation columns; furnace grates; ventilation hoods; ventilation hoods for laboratories; lamp globes; air-conditioning apparatus; air conditioners for vehicles; gas boilers; laundry room boilers; heating boilers; coffee machines, electric; taps for pipes and pipelines; taps; mixer taps for water pipes; forges, portable; lava rocks for use in barbecue grills; lights, electric, for Christmas trees; acetylene flares; safety lamps; gas lamps; curling lamps; nail lamps; germicidal lamps for purifying air; light bulbs for directional signals for vehicles; arc lamps; laboratory lamps; oil lamps; ultraviolet ray lamps, not for medical purposes; miners' lamps; electric lamps; chandeliers; barbecues; bread baking machines; watering machines for agricultural purposes; ice-cream making machines; pounded rice cake making machines, electric, for household purposes; multicookers; footmuffs, electrically heated; heaters for baths; heaters for heating irons; immersion heaters; brackets for gas burners; anti-splash tap nozzles; heat pumps; filaments for electric lamps; magnesium filaments for lighting; heating filaments, electric; luminous house numbers; socks, electrically heated; heating apparatus for defrosting vehicle windows; hot air bath fittings; bath fittings; loading apparatus for furnaces; kiln furniture [supports]; sauna bath installations; refrigerating appliances and installations; directional lights for bicycles; electrically heated clothing; blankets, electric, not for

medical purposes; fabric steamers; lamp reflectors; vehicle reflectors; hearths; electric cooktops; food steamers, electric; steam boilers, other than parts of machines; pasteurisers; lamp mantles; sockets for electric lights; coffee percolators, electric; stoves [heating apparatus]; bakers' ovens; hot air ovens; kitchen ranges [ovens]; microwave ovens [cooking apparatus]; microwave ovens for industrial purposes; incinerators; kilns; solar furnaces; dental ovens; furnaces, other than for laboratory use; urinals being sanitary fixtures; feeding apparatus for heating boilers; heating plates; cooking stoves; hot plates; wine cellars, electric; heaters, electric, for feeding bottles; aquarium heaters; aquarium lights; heating cushions, electric, not for medical purposes; clean chambers [sanitary installations]; tortilla presses, electric; water intake apparatus; deodorizing apparatus, not for personal use; apparatus for dehydrating food waste; fumigation apparatus, not for medical purposes; gas scrubbing apparatus; oil-scrubbing apparatus; glue-heating appliances; drying apparatus for fodder and forage; water filtering apparatus; air purifying apparatus and machines; ice machines and apparatus; cooling appliances and installations; cooking apparatus and installations; lighting apparatus and installations; sanitary apparatus and installations; cooking rings; lighting apparatus for vehicles; light-emitting diodes [LED] lighting apparatus; heating apparatus for solid, liquid or gaseous fuels; heating apparatus, electric; hot air apparatus; steam facial apparatus [saunas]; safety accessories for water or gas apparatus and pipes; regulating and safety accessories for gas apparatus; regulating accessories for water or gas apparatus and pipes; regulating and safety accessories for water apparatus; regulating and safety accessories for gas pipes; anti-glare devices for vehicles [lamp fittings]; roasting jacks; plate warmers; electric appliances for making yogurt; rotisseries; radiator caps; searchlights; diving lights; washers for water taps; heat guns; radiators [heating]; central heating radiators; radiators, electric; sinks; disinfectant apparatus for dispensing solutions into water-pipes for sanitary installations; drip irrigation emitters [irrigation fittings]; light diffusers; nuclear reactors; heat regenerators; pressure water tanks; roasters; lamps; standard lamps; ceiling lights; toilet seats; lighting installations for air vehicles; autoclaves, electric, for cooking; pressure cookers, electric; gas scrubbers [parts of gas installations]; lamp glasses; sterilizers; water sterilizers; air sterilizers; air dryers; laundry dryers, electric; hair dryers; malt roasters; tobacco roasters; heat exchangers, other than parts of machines; bread toasters; discharge tubes, electric, for lighting; lamp chimneys; luminous tubes for lighting; pipes [parts of sanitary installations]; flues for heating boilers; boiler pipes [tubes] for heating installations; toilets [water-closets]; toilets, portable; humidifiers for central heating radiators; wash-hand basins [parts of sanitary installations]; toilet bowls; water conduits installations; bath installations; air-conditioning installa-

llations; desalination plants; installations for processing nuclear fuel and nuclear moderating material; watering installations, automatic; cooling installations for water; cooling installations for liquids; milk cooling installations; cooling installations for tobacco; water purification installations; purification installations for sewage; steam generating installations; water distribution installations; air filtering installations; swimming pool chlorinating apparatus; ventilation [air-conditioning] installations and apparatus; ventilation [air-conditioning] installations for vehicles; water softening apparatus and installations; cooling installations and machines; heating installations; heaters for vehicles; heating installations [water]; polymerisation installations; water supply installations; flare stacks for use in the oil industry; ash conveyor installations, automatic; whirlpool-jet apparatus; air cooling apparatus; aquarium filtration apparatus; cooking utensils, electric; flaming torches; headlights for automobiles; vehicle headlights; filters for air conditioning; filters for drinking water; wicks for oil stoves; lights for automobiles; bicycle lights; motorcycle lights; lights for vehicles; electric torches; head torches; lanterns for lighting; candle lanterns; Chinese lanterns; fountains; ornamental fountains; chocolate fountains, electric; air fryers; deep fryers, electric; fittings, shaped, for furnaces; oven fittings made of fireclay; bread-making machines; refrigerators; chromatography apparatus for industrial purposes; kettles, electric; dampers [heating]; book sterilization apparatus; refrigerating cabinets; carbon for arc lamps; heating elements.

12 – Motor buses; motor coaches; camping cars; driverless cars [autonomous cars]; motor racing cars; cars for transportation; robotic cars; sports cars; concrete mixing vehicles; refrigerated vehicles; caravans; shock absorbers for automobiles; suspension shock absorbers for vehicles; space vehicles; aircraft; aeronautical apparatus, machines and appliances; air cushion vehicles; hot air balloons; ski carriers for cars; luggage carriers for vehicles; bumpers for automobiles; vehicle bumpers; tyres for vehicle wheels; barges; brake shoes for vehicles; tailboard lifts [parts of land vehicles]; armored vehicles; buffers for railway rolling stock; mine cars; tilt trucks; railway carriages; sleeping cars; dining carriages; refrigerated railway wagons; transmission shafts for land vehicles; bicycles; electric bicycles; valves for vehicle tyres; automobile hoods; pushchair hoods; hoods for vehicles; oars; paddles for canoes; sculls; screws [propellers] for ships; lug nuts for vehicle wheels; seaplanes; flanges for railway wheel tyres; goods vehicles; horns for vehicles; treads for vehicles [tractor type]; doors for vehicles; bicycle motors; motorcycle engines; engines for land vehicles; jet engines for land vehicles; driving motors for land vehicles; screw-propellers; screw-propellers for boats; airships; brake discs for vehicles; telfer railways [cable cars]; dredgers [boats]; hand-cars; military drones; civilian drones; camera drones; clips adapted for fastening automobile parts to auto-

mobile bodies; adhesive rubber patches for repairing inner tubes; bicycle bells; rearview mirrors; side view mirrors for vehicles; portholes; cars for cable transport installations; inner tubes for pneumatic tyres; inner tubes for bicycle tyres; canoes; hoods for vehicle engines; crankcases for land vehicle components, other than for engines; boats; caissons [vehicles]; bicycle wheels; vehicle wheels; mine cart wheels; steering wheels for vehicles; casters for trolleys [vehicles]; brake pads for automobiles; hub caps; prams; side cars; brake linings for vehicles; ships; baskets adapted for bicycles; gear boxes for land vehicles; ship hulls; panniers adapted for bicycles; panniers adapted for motorcycles; fenders for ships; bands for wheel hubs; ejector seats for aircraft; wheelchairs; caps for vehicle fuel tanks; boat hooks; automobile bodies; tipping bodies for lorries; bodies for vehicles; treads for retreading tyres; locomotives; masts for boats; golf carts [vehicles]; sprinkling trucks; propulsion mechanisms for land vehicles; mopeds; motor scooters; motorcycles; rubbish trucks; tyre mousse inserts; fitted footmuffs for pushchairs; fitted footmuffs for prams; freewheels for land vehicles; clutches for land vehicles; repair outfits for inner tubes; air pumps [vehicle accessories]; pumps for bicycle tyres; upholstery for vehicles; rims for bicycle wheels; vehicle wheel rims; windows for vehicles; omnibuses; engine mounts for land vehicles; axles for vehicles; headlight wipers; parachutes; ferry boats; bicycle pedals; ashtrays for automobiles; gearing for land vehicles; carts; headrests for vehicle seats; bicycle kickstands; vehicle running boards; air bags [safety devices for automobiles]; ski lifts; chairlifts; casings for pneumatic tires; sleeping berths for vehicles; pontoons; torque converters for land vehicles; cigar lighters for automobiles; non-skid devices for vehicle tyres; anti-glare devices for vehicles; anti-theft devices for vehicles; sun-blinds adapted for automobiles; trailers for transporting bicycles; bicycle trailers; balance weights for vehicle wheels; shock absorbing springs for vehicles; bicycle frames; motorcycle frames; spars for ships; reduction gears for land vehicles; safety belts for vehicle seats; security harness for vehicle seats; vehicle suspension springs; rudders; bicycle handlebars; motorcycle handlebars; vehicle joysticks; bicycle cranks; aeroplanes; amphibious airplanes; sleighs [vehicles]; rescue sleds; kick sledges; brake segments for vehicles; bicycle saddles; motorcycle saddles; luggage nets for vehicles; dress guards for bicycles; fitted pushchair mosquito nets; anti-theft alarms for vehicles; reversing alarms for vehicles; safety seats for children, for vehicles; vehicle seats; bellows for articulated buses; hydraulic circuits for vehicles; mobility scooters; snowmobiles; rolling stock for railways; rolling stock for funicular railways; spokes for bicycle wheels; vehicle wheel spokes; spoilers for vehicles; air vehicles; vehicles for locomotion by land, air, water or rail; ambulances; autonomous underwater vehicles for seabed inspections; water vehicles; remotely operated vehic-

les for underwater inspections; remote control vehicles, other than toys; electric vehicles; tricycles; delivery tricycles; inclined ways for boats; windscreens; windshield wipers; motorcycle kickstands; hubs for bicycle wheels; hubs for vehicle wheels; bags adapted for strollers; saddlebags adapted for bicycles; railway couplings; trailer hitches for vehicles; couplings for land vehicles; wheelbarrows; handling carts; two-wheeled trolleys; shopping trolleys; fishing trolleys; hose carts; bogies for railway cars; casting carriages; tilting-carts; roll cage trolleys; forklift trucks; cleaning trolleys; bicycle brakes; brakes for vehicles; torsion bars for vehicles; tractors; tramcars; transmission mechanisms for land vehicles; military vehicles for transport; aerial conveyors; trailers [vehicles]; funnels for ships; funnels for locomotives; cleats [nautical]; turbines for land vehicles; direction indicators for vehicles; rowlocks; disengaging gear for boats; steering gears for ships; cable transport apparatus and installations; spoke clips for wheels; tipping apparatus [parts of railway wagons]; funiculars; vans [vehicles]; drive chains for land vehicles; bicycle chains; motorcycle chains; anti-skid chains; transmission chains for land vehicles; undercarriages for vehicles; pram covers; spare wheel covers; covers for vehicle steering wheels; saddle covers for bicycles; saddle covers for motorcycles; seat covers for vehicles; vehicle covers [shaped]; automobile chassis; vehicle chassis; connecting rods for land vehicles, other than parts of motors and engines; axle journals; gears for bicycles; tubeless tyres for bicycles; bicycle tyres; automobile tyres; pneumatic tyres; solid tires for vehicle wheels; spikes for tyres; davits for boats; launches; timbers [frames] for ships; mudguards; bicycle mudguards; tow trucks; motors, electric, for land vehicles; yachts.

13 – Acetyl-nitrocellulose; ammunition; ammunition for firearms; explosives; ammonium nitrate explosives; pyrophoric substances; primings [fuses]; fuses for explosives, for use in mines; cartridge cases; noise-suppressors for guns; hand grenades; detonators; dynamite; lead shot for hunting; sighting mirrors for guns and rifles; breeches of firearms; detonating caps, other than toys; rifles; hammers for guns and rifles; gun carriages [artillery]; automatic firearm ammunition belts; gunstocks; mortars [firearms]; mines [explosives]; Bengal lights; firing platforms; artillery guns [cannons]; motorized weapons; firearms; hunting firearms; side arms [firearms]; tear-gas weapons; cartridge pouches; cartridges; explosive cartridges; fire-rackers; guncotton; pistols [arms]; air pistols [weapons]; flare pistols; explosive powders; gunpowder; powder horns; shoulder straps for weapons; sights, other than telescopic sights, for artillery; sights, other than telescopic sights, for firearms; machine guns; cannons; rocket launchers; signal rocket flares; revolvers; belts adapted for ammunition; guns [weapons]; harpoon guns [weapons]; detonating plugs; fog signals, explosive; rescue flares, explosive or pyrotechnic; trigger guards for guns and rifles; projectiles

[weapons]; shells [projectiles]; ballistic weapons; rockets [projectiles]; sprays for personal defence purposes; pyrotechnic products; rifle barrels; tanks [weapons]; torpedoes; cartridge loading apparatus; apparatus for filling cartridge belts; fireworks; fuses for explosives; trunnions for heavy weapons; rifle cases; detonating fuses for explosives; cleaning brushes for firearms.

14 – Agates; diamonds; amulets [jewellery]; anchors [clock- and watchmaking]; barrels [clock- and watchmaking]; bracelets [jewellery]; bracelets made of embroidered textile [jewellery]; watch bands; charms for key rings; jewellery charms; brooches [jewellery]; alarm clocks; pins [jewellery]; ornamental pins; tie pins; beads for making jewellery; pearls made of ambroid [pressed amber]; busts of precious metal; jewellery rolls; jet, unwrought or semi-wrought; jewellery findings; key rings [split rings with trinket or decorative fob]; pearls [jewellery]; copper tokens; tie clips; cuff links; clasps for jewellery; badges of precious metal; gold, unwrought or beaten; cloisonné jewellery; works of art of precious metal; jewellery; ivory jewellery; jewellery of yellow amber; iridium; cabochons; precious stones; semi-precious stones; spun silver [silver wire]; necklaces [jewellery]; split rings of precious metal for keys; rings [jewellery]; boxes of precious metal; presentation boxes for jewellery; watch cases [parts of watches]; clock cases; pendulums [clock- and watchmaking]; medals; locket [jewellery]; precious metals, unwrought or semi-wrought; movements for clocks and watches; clockworks; misbaha [prayer beads]; coins; gold thread [jewellery]; threads of precious metal [jewellery]; silver thread [jewellery]; olivine [gems]; osmium; palladium; platinum [metal]; chronometric instruments; watch springs; crucifixes of precious metal, other than jewellery; crucifixes as jewellery; rhodium; ruthenium; stopwatches; silver, unwrought or beaten; earrings; ingots of precious metals; alloys of precious metal; statues of precious metal; figurines of precious metal; watch glasses; paste jewellery; watch hands; clock hands; ornaments of jet; shoe jewellery; hat jewellery; presentation boxes for watches; chronographs [watches]; chronometers; chronoscopes; chains [jewellery]; watch chains; dials [clock- and watchmaking]; atomic clocks; watches; sundials; clocks and watches, electric; control clocks [master clocks]; clocks; wristwatches; rosaries; jewellery boxes; spinel [precious stones].

16 – Fountain pens; aquarelles; albums; almanacs; document laminators for office use; mimeograph apparatus and machines; atlases; posters; banknotes; banners of paper; paper bows, other than haberdashery or hair decorations; table linen of paper; tickets; forms, printed; announcement cards [stationery]; note books; pads [stationery]; drawing pads; spiral notebooks; wristbands for the retention of writing instruments; pamphlets; booklets; paper sheets [stationery]; waxed

paper; paper for medical examination tables; paper for recording machines; paper for radiograms; papers for painting and calligraphy; electrocardiograph paper; drawer liners of paper, perfumed or not; wood pulp paper; carbon paper; copying paper [stationery]; parchment paper; writing paper; rice paper; luminous paper; toilet paper; wrapping paper; filter paper; washi; paper; blotters; newsletters; rollers for typewriters; house painters' rollers; composing sticks; modelling wax, not for dental purposes; signboards of paper or cardboard; sewing patterns; bunting of paper; newspapers; electrotypes; hectographs; modelling clay; polymer modelling clay; terrestrial globes; drawing sets; engravings; slate pencils; pencil leads; document holders [stationery]; pencil holders; chalk holders; holders for cheque books; holders for stamps [seals]; page holders; name badge holders [office requisites]; diagrams; table runners of paper; engraving plates; writing slates; blackboards; galley racks [printing]; drawing boards; advertisement boards of paper or cardboard; duplicators; punches [office requisites]; cream containers of paper; magazines [periodicals]; money clips; clips for name badge holders [office requisites]; tags for index cards; pen clips; bookmarks; etching needles; tracing needles for drawing purposes; periodicals; printed publications; paper shredders for office use; graphic representations; credit card imprinters, non-electric; graining combs; drawing instruments; calendars; tracing paper; tracing cloth; tracing patterns; gums [adhesives] for stationery or household purposes; lithographic stones; ink stones [ink reservoirs]; pencils; pencil lead holders; charcoal pencils; pictures; transfers [decalcomanias]; paintings [pictures], framed or unframed; wood pulp board [stationery]; cardboard; hat boxes of cardboard; cards; index cards [stationery]; geographical maps; paper tapes and cards for the recordal of computer programmes; trading cards, other than for games; perforated cards for Jacquard looms; catalogues; spools for inking ribbons; flower-pot covers of paper; paintbrushes; painters' brushes; writing brushes; typewriter keys; glue for stationery or household purposes; isinglass for stationery or household purposes; gluten [glue] for stationery or household purposes; starch paste [adhesive] for stationery or household purposes; printing blocks; books; manifolds [stationery]; comic books; drawing pins; cigar bands; envelopes [stationery]; boxes of paper or cardboard; cases for stamps [seals]; paint boxes for use in schools; correcting fluids [office requisites]; printed coupons; stencils [stationery]; French curves; paper ribbons, other than haberdashery or hair decorations; typewriter ribbons; adhesive tapes for stationery or household purposes; correcting tapes [office requisites]; inking ribbons; self-adhesive tapes for stationery or household purposes; square rulers for drawing; drawing rulers; flyers; absorbent sheets of paper or plastic for foodstuff packaging; humidity control sheets of paper or plastic for foodstuff packaging; viscose sheets for wrapping; sheets of reclaimed cellulose for

wrapping; plastic bubble packs for wrapping or packaging; steel letters; type [numerals and letters]; lithographs; letter trays; paint trays; architects' models; postage stamps; plastics for modelling; graphic prints; modelling materials; teaching materials [except apparatus]; sealing compounds for stationery purposes; adhesives [glues] for stationery or household purposes; padding materials of paper or cardboard; bookbinding material; packing [cushioning, stuffing] materials of paper or cardboard; packaging material made of starches; filtering materials of paper; tablemats of paper; addressing machines; pencil sharpening machines, electric or non-electric; bookbinding apparatus and machines [office equipment]; typewriters, electric or non-electric; paper creasers [office requisites]; franking machines for office use; chalk for lithography; writing chalk; tailors' chalk; marking chalk; spray chalk; bags [envelopes, pouches] of paper or plastics, for packaging; garbage bags of paper or of plastics; plastic bags for pet waste disposal; painters' easels; hand-rests for painters; printing sets, portable [office requisites]; bibs of paper; bibs, sleeved, of paper; stickers [stationery]; fingerstalls being office requisites; writing cases [stationery]; cords for bookbinding; paper knives [letter openers]; printed sheet music; numbering apparatus; bottle envelopes of paper or cardboard; sealing wafers; covers [stationery]; passport holders; plastic cling film, extensible, for palletization; embroidery designs [patterns]; handwriting specimens for copying; oleographs; musical greeting cards; greeting cards; postcards; etchings; conical paper bags; paper bags for use in the sterilization of medical instruments; bags for microwave cooking; palettes for painters; ink sticks; pantographs [drawing instruments]; files [office requisites]; folders for papers; papier mâché; pastels [crayons]; modelling paste; pen cases; pen wipers; office perforators; pens [office requisites]; nibs of gold; nibs; steel pens; drawing pens; song books; seals [stamps]; sealing stamps; clipboards; address plates for addressing machines; handkerchiefs of paper; plastic film for wrapping; desk mats; trays for sorting and counting money; coasters of paper; bookends; stamp stands; mats of paper for beer glasses; stands for pens and pencils; photograph stands; obliterating stamps; inking pads; stamp pads; binding strips [bookbinding]; towels of paper; inking sheets for document reproducing machines; inking sheets for duplicators; cloth for bookbinding; gummed cloth for stationery purposes; printers' blankets, not of textile; portraits; paperweights; writing cases [sets]; inkstands; office requisites, except furniture; writing materials; writing instruments; drawing materials; school supplies [stationery]; adhesive tape dispensers [office requisites]; hand labelling appliances; printed matter; lithographic works of art; prospectuses; printed timetables; ledgers [books]; printers' reglets; indexes; paper cutters [office requisites]; rubber erasers; elastic bands for offices; T-squares for drawing; graphic reproductions; retractable reels for name badge

holders [office requisites]; penholders; marking pens [stationery]; tissues of paper for removing make-up; dental tray covers of paper; place mats of paper; tablecloths of paper; paper clasps; document files [stationery]; scrapers [erasers] for offices; paper-clips; clips for offices; erasing products; biological samples for use in microscopy [teaching materials]; histological sections for teaching purposes; steatite [tailor's chalk]; writing board erasers; composing frames [printing]; sealing wax; arithmetical tables; placards of paper or cardboard; writing or drawing books; fabrics for bookbinding; stationery; pencil sharpeners, electric or non-electric; transparencies [stationery]; stencil plates; cardboard tubes; Indian inks; moisteners [office requisites]; moisteners for gummed surfaces [office requisites]; squares for drawing; chart pointers, non-electronic; bottle wrappers of paper or cardboard; envelope sealing machines for offices; sealing machines for offices; vignetting apparatus; apparatus for mounting photographs; stapling presses [office requisites]; manuals [handbooks]; figurines of papier mâché; paper coffee filters; flags of paper; silver paper; moulds for modelling clays [artists' materials]; photo-engravings; photographs [printed]; stencil cases; canvas for painting; chromolithographs [chromos]; animation cels; compasses for drawing; numbers [type]; artists' watercolour saucers; correcting ink [heliography]; ink; inkwells; blueprints; stencils; erasing shields; balls for ball-point pens; desktop cabinets for stationery [office requisites]; printing type; address stamps; stamps [seals]; shields [paper seals]; prints [engravings]; labels of paper or cardboard.

18 – Mountaineering sticks; slings for carrying infants; luggage tags; pocket wallets; saddlecloths for horses; business card cases; reins; reins for guiding children; sling bags for carrying infants; harness fittings; credit card cases [wallets]; parts of rubber for stirrups; chamois leather, other than for cleaning purposes; umbrellas; parasols; saddlery; frames for umbrellas or parasols; frames for bags [structural parts of bags]; card cases [notecases]; cases of leather or leatherboard; valves of leather; whips; imitation leather; leather, unworked or semi-worked; leatherboard; casings, of leather, for springs; umbrella rings; hat boxes of leather; boxes of leather or leatherboard; boxes of vulcanized fibre; purses; chain mesh purses; fastenings for saddles; butts [parts of hides]; saddle trees; bags [envelopes, pouches] of leather, for packaging; moleskin [imitation of leather]; travelling sets [leatherware]; knee-pads for horses; muzzles; halters; vanity cases, not fitted; furniture coverings of leather; clothing for pets; covers for animals; trimmings of leather for furniture; collars for animals; hiking sticks; conference folders; music cases; goldbeaters' skin; cat o' nine tails; leather leashes; pads for horse saddles; horseshoes; girths of leather; horse blankets; garment bags for travel; shoulder belts [straps] of leather; briefcases; traces [harness]; fur; randfels [Japanese school satchels]; haversacks; leather straps; straps for

soldiers' equipment; harness straps; straps for skates; straps of leather [saddlery]; chin straps, of leather; stirrup leathers; umbrella handles; walking stick handles; suitcase handles; grips for holding shopping bags; rucksacks; travelling bags; riding saddles; net bags for shopping; umbrella or parasol ribs; stirrups; bags for climbers; tool bags, empty; handbags; beach bags; saddlebags; compression cubes adapted for luggage; bags for sports; bags for campers; reusable shopping bags; wheeled shopping bags; school bags; bags; pouch baby carriers; travelling trunks; trunks [luggage]; nose bags [feed bags]; bridoons; umbrella sticks; walking stick seats; walking sticks; tefillin [phylacteries]; bits for animals [harness]; bridles [harness]; harness for animals; key cases; horse collars; suitcases; motorized suitcases; suitcases with wheels; valises; attaché cases; covers for horse saddles; umbrella covers; kid; curried skins; animal skins; cattle skins; leather cord; blinkers [harness]; labels of leather; game bags [hunting accessories].

20 – Picture frame brackets; bumper guards for cots, other than bed linen; reels, not of metal, non-mechanical, for flexible hoses; pulleys of plastics for blinds; bolts, not of metal; casks of wood for decanting wine; mooring buoys, not of metal; casks, not of metal; barrels, not of metal; identification bracelets, not of metal; sideboards; busts of wood, wax, plaster or plastic; costume stands; bolsters; fans for personal use, non-electric; work benches; vice benches [furniture]; valet stands; coatstands; coat hangers; shoulder poles [yokes]; screws, not of metal; display stands; showcases [furniture]; newspaper display stands; jewellery organizer displays; collars, not of metal, for fastening pipes; comb foundations for beehives; signboards of wood or plastics; loading gauge rods, not of metal, for railway wagons; nuts, not of metal; covers for clothing [wardrobe]; shoe pegs, not of metal; nesting boxes; coffins; doors for furniture; curtain holders, not of textile material; dowels, not of metal; divans; kennels for household pets; birdhouses; keyboards for hanging keys; display boards; plugs [dowels], not of metal; containers, not of metal, for liquid fuel; troughs, not of metal, for mixing mortar; oil drainage containers, not of metal; packaging containers of plastic; flower-stands [furniture]; curtain tie-backs; clips, not of metal, for cables and pipes; binding screws, not of metal, for cables; clips of plastic for sealing bags; rivets, not of metal; imitation tortoiseshell; locks, not of metal, for vehicles; locks, other than electric, not of metal; bead curtains for decoration; door bolts, not of metal; bottle closures, not of metal; closures, not of metal, for containers; latches, not of metal; mirrors [looking glasses]; hand-held mirrors [toilet mirrors]; bamboo, unworked or semi-worked; scratching posts for cats; animal claws; animal hooves; coral; meersch- haum; whalebone, unworked or semi-worked; stag antlers; tortoiseshell; shells; horn, unworked or semi-worked; animal horns; rattan; ivory, unworked or semi-worked; corozo; plaited straw, except matting;

wickerwork; hampers [baskets] for the transport of items; works of art of wood, wax, plaster or plastic; cabinet work; reeds [plaiting materials]; settees; jerry-cans, not of metal; curtain rods; index cabinets [furniture]; reels of wood for yarn, silk, cord; drain traps [valves] of plastic; water-pipe valves of plastic; valves, not of metal, other than parts of machines; staves of wood; plastic keys; plastic key cards, not encoded and not magnetic; mats for infant playpens; sleeping pads [mats or cushions]; saw horses; bed casters, not of metal; furniture casters, not of metal; brush mountings; chopping blocks [tables]; wind chimes [decoration]; door bells, not of metal, non-electric; bottle caps, not of metal; bassinets; tent pegs, not of metal; curtain rings; split rings, not of metal, for keys; chests of drawers; console tables; containers, not of metal [storage, transport]; floating containers, not of metal; lecterns; dog kennels; bakers' bread baskets; baskets, not of metal; Moses baskets; bottle casings of wood; tool boxes, not of metal, empty; taps, not of metal, for casks; armchairs; hairdressers' chairs; deck chairs; hospital beds; bedsteads of wood; air beds, not for medical purposes; beds; cots for babies; edgings of plastic for furniture; brackets, not of metal, for furniture; screw tops, not of metal, for bottles; table tops; sash fasteners, not of metal, for windows; coathooks, not of metal; curtain hooks; clothes hooks, not of metal; bag hangers, not of metal; beds for household pets; nesting boxes for household pets; ladders of wood or plastics; playpens for babies; tailors' dummies; air mattresses, not for medical purposes; camping mattresses; mattresses; hydrostatic beds, not for medical purposes; furniture; furniture of metal; inflatable furniture; office furniture; school furniture; mobiles [decoration]; door knockers, not of metal; curtain rails; legs for furniture; feet for furniture; house numbers, not of metal, non-luminous; cask hoops, not of metal; door stops, not of metal or rubber; window stops, not of metal or rubber; mouldings for picture frames; bed bases; furniture partitions of wood; free-standing partitions [furniture]; mother-of-pearl, unworked or semi-worked; mirror tiles; ambroid plates; novelty license plates of plastic; identity plates, not of metal; loading pallets, not of metal; handling pallets, not of metal; transport pallets, not of metal; head-rests [furniture]; trays, not of metal; stakes, not of metal, for plants or trees; trestles [furniture]; magazine racks; book rests [furniture]; stands for calculating machines; flower pot supports; plastic ramps for use with vehicles; reusable baby changing mats; pet cushions; pillows; cushions; head support cushions for babies; anti-roll cushions for babies; air cushions, not for medical purposes; air pillows, not for medical purposes; head positioning pillows for babies; removable covers for sinks; racks [furniture]; library shelves; shelves for file cabinets; furniture shelves; shelves for storage; wood ribbon; straw edgings; towel stands [furniture]; hat stands; bathtub grab bars, not of metal; cask stands, not of metal; inflatable publicity objects; coun-

ters [tables]; bedding, except linen; corks for bottles; corks; stoppers, not of glass, metal or rubber; sealing caps, not of metal; stair rods; standing desks; embroidery frames; dispensers for dog waste bags, fixed, not of metal; tissue dispensers, fixed, not of metal; picture frames; sections of wood for beehives; crucifixes of wood, wax, plaster or plastic, other than jewellery; reservoirs, not of metal nor of masonry; fodder racks; curtain rollers; door handles, not of metal; knobs, not of metal; fishing baskets; writing desks; seats of metal; benches [furniture]; vats, not of metal; honeycombs; sofas; plugs, not of metal; statues of wood, wax, plaster or plastic; figurines of wood, wax, plaster or plastic; oyster shells; silvered glass [mirrors]; shelving units; ambroid bars; umbrella stands; gun racks; trolleys for computers [furniture]; dressing tables; washstands [furniture]; typing desks; drafting tables; massage tables; tables of metal; wall-mounted baby changing platforms; saw benches [furniture]; desks; tea trolleys; dinner wagons [furniture]; tables; steps [ladders], not of metal; chairs [seats]; high chairs for babies; shower chairs; chests, not of metal; placards of wood or plastics; stools; footstools; crates; trolleys [furniture]; straw plaits; mobile boarding stairs, not of metal, for passengers; straw mattresses; decorations of plastic for foodstuffs; beehives; door fasteners, not of metal; window fasteners, not of metal; funerary urns; winding spools, not of metal, non-mechanical, for flexible hoses; hand-held flagpoles, not of metal; door fittings, not of metal; coffin fittings, not of metal; bed fittings, not of metal; furniture fittings, not of metal; window fittings, not of metal; infant walkers; garment covers [storage]; stuffed animals; stuffed birds; hinges, not of metal; chaise longues; poles, not of metal; screens [furniture]; filing cabinets; medicine cabinets; dish cabinets; meat safes; bookcases; wardrobes; cupboards; shoe dowels, not of metal; bamboo curtains; indoor window blinds of paper; slatted indoor blinds; indoor window blinds of woven wood; indoor window blinds [furniture]; indoor window blinds of textile; screens for fireplaces [furniture]; labels of plastic; yellow amber; lockers [furniture]; chests for toys; tool chests, not of metal, empty; boxes of wood or plastic; letter boxes, not of metal or masonry; bottle racks.

21 – Autoclaves, non-electric, for cooking; indoor aquaria; wine aerators; buckets; cookie jars; candle jars [holders]; china ornaments; dishes; paper plates; vegetable dishes; saucers; goblets; boxes for sweets; bottles; demijohns; busts of porcelain, ceramic, earthenware or glass; vases; epergnes; fruit bowls; inflatable bath tubs for babies; bird baths; baby baths, portable; plungers for clearing blocked drains; waffle irons, non-electric; ice buckets; mop wringer buckets; buckets made of woven fabrics; whisks, non-electric, for household purposes; cooking skewers of metal; towel rails and rings; clothing stretchers; hair brushes; horsehair for brush-making; birdcages; funnels; carpet beaters [hand instruments]; signboards of porcelain or glass; candle extinguishers; heads for elec-

tric toothbrushes; flower pots; chamber pots; glue-pots; cruets; decanters; large-toothed combs for the hair; combs for animals; tea cosies; abrasive sponges for scrubbing the skin; make-up sponges; sponges for household purposes; bath sponges; sponge holders; stands for portable baby baths; toothpick holders; soap holders; table napkin holders; holders for flowers and plants [flower arranging]; tea bag rests; shaving brush stands; toilet paper holders; soap dispensers; toilet paper dispensers; plug-in diffusers for mosquito repellents; ironing boards; cutting boards for the kitchen; bread boards; washing boards; crushers for kitchen use, non-electric; strainers for household purposes; smoke absorbers for household purposes; containers for household or kitchen use; kitchen containers; glass jars [carboys]; heat-insulated containers; heat-insulated containers for beverages; thermally insulated containers for food; glass flasks [containers]; closures for pot lids; chamois leather for cleaning; toothpicks; ceramics for household purposes; majolica; works of art of porcelain, ceramic, earthenware, terracotta or glass; brushes, except paint brushes; kitchen grinders, non-electric; cleaning instruments, hand-operated; cabarets [trays]; stew-pans; flower-pot covers, not of paper; shaving brushes; make-up brushes; basting brushes; cages for pets; baking mats; ladles for serving wine; polishing leather; hot pots, not electrically heated; glass bulbs [receptacles]; shoe trees; napkin rings; poultry rings; rings for birds; coin banks; piggy banks; bread baskets for household purposes; baskets for household purposes; waste paper baskets; feeding troughs; mangers for animals; lunch boxes; tea caddies; washtubs; earthenware saucepans; mess-tins; cauldrons; coffee percolators, non-electric; coffeepots, non-electric; coffee grinders, hand-operated; fused silica [semi-worked product], other than for building; beer mugs; tankards; rat traps; pot lids; aquarium hoods; butter-dish covers; dish covers; cheese-dish covers; buttonhooks; reusable ice cubes; jugs; perfume burners; watering cans; fly traps; insect traps; ice cream scoops; mixing spoons [kitchen utensils]; basting spoons [cooking utensils]; pie servers; cosmetic spatulas; spatulas for kitchen use; litter boxes for pets; butter dishes; material for brush-making; polishing materials for making shiny, except preparations, paper and stone; tablemats, not of paper or textile; noodle machines, hand-operated; lint removers, electric or non-electric; polishing apparatus and machines, for household purposes, non-electric; pepper mills, hand-operated; mills for household purposes, hand-operated; feather-dusters; brooms; isothermic bags; decorating bags for confectioners; bowls [basins]; mosaics of glass, not for building; saucepan scourers of metal; soap boxes; mouse traps; cooking pot sets; nozzles for watering cans; pouring spouts; cake decorating tips and tubes; nozzles for watering hose; fitted picnic baskets, including dishes; toilet cases; floss for dental purposes; fibreglass thread, other than for textile use; cookie [biscuit] cutters; pastry cutters;

sprinklers; syringes for watering flowers and plants; cotton waste for cleaning; wool waste for cleaning; cleaning tow; cold packs for chilling food and beverages; chopsticks; cocktail stirrers; food steamers, non-electric; pepper pots; oven mitts; gloves for household purposes; car washing mitts; polishing gloves; gardening gloves; pestles for kitchen use; plates to prevent milk boiling over; dripping pans; trays for household purposes; trays of paper, for household purposes; lazy susans; heaters for feeding bottles, non-electric; candelabra [candlesticks]; trivets [table utensils]; coasters, not of paper or textile; grill supports; menu card holders; knife rests for the table; flat-iron stands; egg cups; abrasive pads for kitchen purposes; scouring pads; drinking troughs; serving ladles; powdered glass for decoration; pottery; pots; cooking pots, non-electric; painted glassware; tableware, other than knives, forks and spoons; porcelain ware; earthenware; crystal [glassware]; cosmetic utensils; cleaning utensils for toilets; trouser presses; tortilla presses, non-electric [kitchen utensils]; deodorizing apparatus for personal use; cruet sets for oil and vinegar; make-up removing appliances; spice sets; apparatus for wax-polishing, non-electric; bottle openers, electric and non-electric; glove stretchers; bootjacks; crumb trays; tie presses; potholders; clothes-pegs; glass stoppers; powder compacts; perfume vaporizers; powder puffs; dusting apparatus, non-electric; foam toe separators for use in pedicures; electric combs; combs; grills [cooking utensils]; sifters [household utensils]; drinking horns; shoe horns; candle drip rings; broom handles; salad bowls; place mats, not of paper or textile; sugar bowls; beaters, non-electric; egg separators, non-electric, for household purposes; services [dishes]; coffee services [tableware]; liqueur sets; tea services [tableware]; cooking mesh bags, other than for microwaves; sieves [household utensils]; cinder sifters [household utensils]; tea strainers; wine-tasting pipettes; siphon bottles for carbonated water; rolling pins, domestic; frying pans; steel wool for cleaning; currycombs; blenders, non-electric, for household purposes; scoops for household purposes; fruit presses, non-electric, for household purposes; straws for drinking; salt cellars; drinking vessels; vessels for making ices and ice cream, non electric; refrigerating bottles; bulb basters; cups of paper or plastic; glasses [receptacles]; drinking glasses; statues of porcelain, ceramic, earthenware, terracotta or glass; figurines of porcelain, ceramic, earthenware, terracotta or glass; glass for vehicle windows [semi-finished product]; plate glass [raw material]; opal glass; glass, unworked or semi-worked, except building glass; opaline glass; glass incorporating fine electrical conductors; enamelled glass, not for building; glass wool, other than for insulation; vitreous silica fibres, other than for textile use; fibreglass, other than for insulation or textile use; mortars for kitchen use; portable cool boxes, non-electric; soup tureens; drying racks for laundry; rotary washing lines; basins [receptacles]; table plates; disposable



table plates; graters for kitchen use; insulating flasks; indoor terrariums [plant cultivation]; indoor terrariums [vivariums]; cloth for washing floors; polishing cloths; cloths for cleaning; dusting cloths [rags]; furniture dusters; urns being vases; urns being planter pots for flowers and plants; atomizers for household purposes; wax-polishing appliances, non-electric, for shoes; water apparatus for cleaning teeth and gums; electric devices for attracting and killing insects; watering devices; utensils for household purposes; kitchen utensils; cooking utensils, non-electric; coffee filters, non-electric; flasks; hip flasks; drinking bottles for sports; moulds [kitchen utensils]; cake moulds; ice cube moulds; cookery moulds; deep fryers, non-electric; comb cases; bread bins; fly swatters; teapots; kettles, non-electric; cups; garlic presses [kitchen utensils]; ironing board covers, shaped; tea infusers; decorative glass spheres; mops; mop wringers; cocktail shakers; corkscrews, electric and non-electric; animal bristles [brushware]; pig bristles for brush-making; dishwashing brushes; ski wax brushes; brushes for cleaning tanks and containers; lamp-glass brushes; horse brushes; scrubbing brushes; toothbrushes; toothbrushes, electric; carpet sweepers; shoe brushes; tar-brushes, long handled; toilet brushes; electric brushes, except parts of machines; brushes; eyebrow brushes; nail brushes; eyelash brushes; nutcrackers; ice tongs; salad tongs; sugar tongs; decanter tags; nest eggs, artificial; boxes for dispensing paper towels; dustbins; window-boxes; boxes of glass.

22 – String; twine made of paper; packing string; tarpaulins; wadding for padding and stuffing upholstery; wadding for filtering; whipcord; packing rope; ropes; seaweed for stuffing; carbon fibres for textile use; esparto grass; coconut fibre; plastic fibres for textile use; ramie fibre; textile fibres; horsehair; hammocks; jute; wax ends; outdoor blinds of textile; ropes, not of metal; kapok; cocoons; raw linen [flax]; strips for tying-up vines; ladder tapes for Venetian blinds; wrapping or binding bands, not of metal; rope ladders; linters; liber; padding materials, not of rubber, plastics, paper or cardboard; packing [cushioning, stuffing] materials, not of rubber, plastics, paper or cardboard; bags [envelopes, pouches] of textile, for packaging; sacks for the transport and storage of materials in bulk; body bags; mail bags; mesh bags for washing laundry; purse seines; twine for nets; binding thread, not of metal, for agricultural purposes; thread, not of metal, for wrapping or binding; braces, not of metal, for handling loads; bindings, not of metal; sawdust; straw wrappers for bottles; tow; cotton tow; silk flock; tents; sails; sails for ski sailing; canvas for sails; hemp fibres; brattice cloth; feathers for stuffing upholstery; feathers for bedding; animal hair; fibrous gaskets for ships; down [feathers]; eiderdown; raffia; straps, not of metal, for handling loads; hemp bands; fleece wool; net pens for fish farming; snares [nets]; nets for camouflage; fishing nets; nets; animal feeding nets; sisal; straw for stuffing upholstery; sheaf-binding yarns;

vitreous silica fibres for textile use; glass fibres for textile use; slings, not of metal, for handling loads; wood shavings; raw fibrous textile; awnings of synthetic materials; awnings of textile; network; grasses for upholstery; car towing ropes; cables, not of metal; cotton waste [flock] for padding and stuffing; schappe [raw silk waste]; wool flock; raw cotton; vehicle covers, not fitted; dust sheets; covers for camouflage; raw silk; carded wool; camel hair; flock [stuffing]; upholstery wool [stuffing]; wood wool; combed wool; raw or treated wool; shorn wool; cords for hanging pictures; sash cords; pig bristles.

23 – Thread of metal for embroidery; embroidery thread and yarn; jute thread and yarn; coir thread and yarn; rayon thread and yarn; threads of plastic materials for textile use; fibreglass thread for textile use; linen thread and yarn; hemp thread and yarn; rubber thread for textile use; cotton thread and yarn; sewing thread and yarn; silk thread and yarn; woollen thread and yarn; darning thread and yarn; elastic thread and yarn for textile use; yarn; spun thread and yarn; spun cotton; spun silk; spun wool; chenille yarn; leather threads.

24 – Frieze [cloth]; banners of textile or plastic; velvet; household linen; diapered linen; bath linen, except clothing; bed linen; table linen, not of paper; cot bumpers [bed linen]; buckram; fustian; sleeping bag liners; felt; bunting of textile or plastic; gauze [cloth]; damask; jersey [fabric]; table runners, not of paper; drugget; shower curtains of textile or plastic; curtains of textile or plastic; net curtains; zephyr [cloth]; canvas for tapestry or embroidery; bolting cloth; baby buntings; crepe [fabric]; crepon; marabouts [cloth]; furniture coverings of textile; fabrics for textile use; filtering materials of textile; wall hangings of textile; non-woven textile fabrics; plastic material [substitute for fabrics]; textile material; tablemats of textile; sleeping bags; sleeping bags for babies; moleskin [fabric]; muslin fabric; pillowcases; mattress covers; bed blankets; blankets for household pets; brocades; diaper changing cloths for babies; handkerchiefs of textile; travelling rugs [lap robes]; coasters of textile; bed valances; linings [textile]; hat linings, of textile, in the piece; curtain holders of textile material; bed covers; bed covers of paper; furniture coverings of plastic; towels of textile; hemp cloth; gummed cloth, other than for stationery purposes; printers' blankets of textile; cloth; door curtains; bedsheets; eiderdowns [down coverlets]; bath mitts; shrouds; glass cloths [towels]; cloths for removing make-up; face towels of textile; place mats of textile; table napkins of textile; mosquito nets; calico; oilcloth for use as tablecloths; tablecloths, not of paper; billiard cloth; taffeta [cloth]; ticks [mattress covers]; tick [linen]; lingerie fabric; fabric, impervious to gases, for aeronautical balloons; jute fabric; fabric for footwear; ramie fabric; esparto fabric; rayon fabric; fibreglass fabrics for textile use; adhesive fabric for application by heat; linen cloth; up-

holstery fabrics; hemp fabric; lining fabric for footwear; traced cloths for embroidery; chenille fabric; printed calico cloth; knitted fabric; cotton fabrics; silk fabrics for printing patterns; woollen cloth; elastic woven fabrics; fabric; fabric imitating animal skins; haircloth [sackcloth]; cheese cloth; tulle; flags of textile or plastic; flannel [fabric]; trellis [cloth]; covers for cushions; fitted toilet lid covers of fabric; covers [loose] for furniture; pillow shams; cheviots [cloth]; silk [cloth]; labels of textile.

25 – Wimples; bandanas [neckerchiefs]; underwear; sweat-absorbent underwear; berets; overalls; boas [necklets]; teddies [underclothing]; boxer shorts; ankle boots; ski boots; boots for sports; breeches for wear; trousers; football shoes; brassieres; valenki [felted boots]; collars [clothing]; detachable collars; shirt yokes; veils [clothing]; gabardines [clothing]; galoshes; neckties; ascots; gaiters; footless socks; boot uppers; corselets; jerseys [clothing]; waistcoats; sports jerseys; hosiery; heels; hoods [clothing]; hat frames [skeletons]; pockets for clothing; scarves; kimonos; sun visors [headwear]; cap peaks; tights; slippers [underclothing]; combinations [clothing]; wet suits for water-skiing; bodices [lingerie]; corsets [underclothing]; suits; bathing suits; masquerade costumes; beach clothes; leotards; jackets [clothing]; stuff jackets [clothing]; fishing vests; leggings [trousers]; liveries; camisoles; sports singlets; cuffs; short-sleeve shirts; mantillas; coats; sleep masks; furs [clothing]; fingerless gloves; mitres [hats]; muffs [clothing]; footmuffs, not electrically heated; top lifts for shoes; bibs, not of paper; bibs, sleeved, not of paper; fur stoles; hairdressing capes; ear muffs [clothing]; socks; sweat-absorbent socks; beach shoes; sports shoes; footwear; paper clothing; outerclothing; ready-made clothing; motorists' clothing; cyclists' clothing; clothing for gymnastics; clothing of imitations of leather; clothing of leather; waterproof clothing; uniforms; clothing; fittings of metal for footwear; maniples; overcoats; knickers; parkas; pelerines; gloves [clothing]; ski gloves; pyjamas; bathing trunks; shirt fronts; pocket squares; dresses; headbands [clothing]; garters; sock suspenders; stocking suspenders; ready-made linings [parts of clothing]; dress shields; soles for footwear; braces [suspenders] for clothing; half-boots; lace boots; sweaters; ponchos; girdles; belts [clothing]; money belts [clothing]; layettes [clothing]; non-slipping devices for footwear; heelpieces for stockings; welts for footwear; chasubles; shirts; wooden shoes; sandals; bath sandals; boots; jumper dresses; saris; sarongs; footwear uppers; inner soles; albs; bath slippers; togas; knitwear [clothing]; underpants; gymnastic shoes; slippers; shoes; skull caps; turbans; headwear; aprons [clothing]; judo uniforms; karate uniforms; tee-shirts; dressing gowns; bath robes; top hats; tips for footwear; stockings; sweat-absorbent stockings; shawls; caps [headwear]; paper hats [clothing]; shower caps; bathing caps; studs for football shoes; hats; babies'

pants [underwear]; gaiter straps; pelisses; esparto shoes or sandals; skirts; petticoats; skorts.

26 – Appliqués [haberdashery]; haberdashery bows; fringes; mica spangles; shoe eyelets; false beards; charms, other than for jewellery, key rings or key chains; brooches [clothing accessories]; entomological pins; pins, other than jewellery; beads, other than for making jewellery; wreaths of artificial flowers; artificial Christmas wreaths; artificial Christmas wreaths incorporating lights; false hair; human hair; lace for edgings; artificial garlands; artificial Christmas garlands; artificial Christmas garlands incorporating lights; darning lasts; expanding bands for holding sleeves; frills [lacework]; trouser clips for cyclists; hair grips; hair barrettes; heat adhesive patches for repairing textile articles; blouse fasteners; shoe fasteners; fastenings for clothing; fastenings for suspenders; belt clasps; hook and pile fastening tapes; zip fasteners; zippers for bags; badges for wear, not of precious metal; competitors' numbers; embroidery needles; needles for wool combing machines; binding needles; saddlers' needles; shoemakers' needles; sewing needles; darning needles; needles; boxes for needles; lace trimmings; embroidery; haberdashery [dressmakers' articles], except thread; decorative articles for the hair; heat adhesive patches for decoration of textile articles [haberdashery]; edgings for clothing; braids; gold embroidery; silver embroidery; bobbins for retaining embroidery floss or wool [not parts of machines]; tassels [haberdashery]; snap fasteners; sewing boxes; plaited hair; false hems; hooks [haberdashery]; crochet hooks; rug hooks; hooks for corsets; shoe hooks; haberdashery ribbons; ribbons for the hair; ribbons and bows, not of paper, for gift wrapping; prize ribbons; hatbands; elastic ribbons; letters for marking linen; numerals for marking linen; monogram tabs for marking linen; sewing kits; toupees; sewing thimbles; needle-threaders; skirt flounces; bows for the hair; spangles for clothing; hair curling papers; wigs; feathers [clothing accessories]; birds' feathers [clothing accessories]; ostrich feathers [clothing accessories]; eyelets for clothing; picot [lace]; corset busks; hair bands; brassards; tapes for curtain headings; shoulder pads for clothing; pin cushions; needle cushions; top-knots [pompoms]; hair curlers, electric and non-electric, other than hand implements; buckles [clothing accessories]; shoe buckles; buttons; ornamental novelty badges [buttons]; artificial plants, other than Christmas trees; rosettes [haberdashery]; frills for clothing; hair nets; chenille [passementerie]; knitting needles; cords for trimming; shoe trimmings; trimmings for clothing; hat trimmings; false moustaches; festoons [embroidery]; artificial fruit; needle cases; artificial flowers; shuttles for making fishing nets; hair colouring caps; bodkins; hair extensions; shoe laces; cords for clothing; woollen laces; hair pins; hair curling pins; collar supports.

27 – Artificial turf; yoga mats; floor mats, fire-resistant, for fireplaces and barbecues; carpets; decorative wall hangings, not of textile; carpets for automobiles; bath mats; non-slip mats; linoleum; mats of woven rope for ski slopes; wallpaper; textile wallpaper; carpet underlay; gymnastic mats; vinyl floor coverings; floor coverings; door mats; mats; reed mats.

28 – Arcade video game machines; video game machines; gaming machines for gambling; amusement machines, automatic and coin-operated; toy vehicles; swimming pools [play articles]; trampolines; novelty toys for parties; scratch cards for playing lottery games; starting blocks for sports; bodyboards; skating boots with skates attached; dolls' feeding bottles; tricycles for infants [toys]; stationary exercise bicycles; creels [fishing traps]; shuttlecocks; spinning tops [toys]; dumb-bells; gyroscopes and flight stabilizers for model aircraft; jigsaw puzzles; clay pigeons [targets]; punching bags; bite sensors [fishing tackle]; hang gliders; joysticks for video games; flying discs [toys]; discs for sports; dolls' houses; dominoes; swimming kickboards; paddleboards; surfboards; spring boards [sports articles]; skateboards; sailboards; chessboards; draughtboards; drones [toys]; darts; Christmas trees of synthetic material; cups for dice; swimming jackets; ascenders [mountaineering equipment]; kites; needles for pumps for inflating balls for games; toys for pets; stuffed toys; plush toys; toy mobiles; novelty toys for playing jokes; toys; portable games and toys incorporating telecommunication functions; board games; table-top games; ring games; games; building games; toy imitation cosmetics; swimming pool air floats; kaleidoscopes; bladders of balls for games; rosin used by athletes; edges of skis; bingo cards; playing cards; fairground ride apparatus; reels for fishing; rocking horses; swings; skittles; skittles [games]; billiard cues; golf clubs; hockey sticks; baby gyms; seal skins [coverings for skis]; bells for Christmas trees; dolls' rooms; controllers for game consoles; controllers for toys; confetti; ice skates; roller skates; in-line roller skates; dice; paintball guns [sports apparatus]; ski bindings; dolls' beds; roulette wheels; fish hooks; building blocks [toys]; dolls; flippers for swimming; rhythmic gymnastics ribbons; fishing lines; gut for fishing; bows for archery; skis; waterskis; surf skis; mah-jong; toy models; hunting game calls; puppets; masks [playthings]; carnival masks; theatrical masks; fencing masks; toy putty; matryoshka dolls; masts for sailboards; ball pitching machines; teddy bears; chalk for billiard cues; targets; electronic targets; scale model kits [toys]; scale model vehicles; kite reels; balls for games; artificial fishing bait; billiard table cushions; knee guards [sports articles]; billiard cue tips; elbow guards [sports articles]; backgammon games; pumps specially adapted for use with balls for games; dolls' clothes; fencing weapons; twirling batons; paragliders; pachinkos; baseball gloves; boxing gloves; golf gloves; gloves for games; batting gloves [accessories for games]; fencing gauntlets; pi-

natas; toy pistols; toy air pistols; percussion caps [toys]; caps for pistols [toys]; toy dough; protective films adapted for screens for portable games; rattles [playthings]; horseshoe games; candle holders for Christmas trees; Christmas tree stands; sole coverings for skis; water wings; floats for fishing; portable games with liquid crystal displays; swimming belts; decoys for hunting or fishing; scent lures for hunting or fishing; archery implements; soap bubbles [toys]; divot repair tools [golf accessories]; billiard markers; protective paddings [parts of sports suits]; rackets; surfboard leashes; harness for sailboards; weight lifting belts [sports articles]; toy robots; sling shots [sports articles]; rollers for stationary exercise bicycles; harpoon guns [sports articles]; plush toys with attached comfort blanket; scooters [toys]; sleds [sports articles]; bob-sleighs; butterfly nets; landing nets for anglers; nets for sports; tennis nets; bite indicators [fishing tackle]; slot machines [gaming machines]; appliances for gymnastics; quoits; bar-bells; climbers' harness; fishing tackle; artificial snow for Christmas trees; snowshoes; snowboards; remote-controlled toy vehicles; clay pigeon traps; billiard tables; coin-operated billiard tables; tables for table tennis; strings for rackets; gut for rackets; cricket bags; golf bags, with or without wheels; golf bag trolleys; slides [playthings]; body-building apparatus; machines for physical exercises; men's athletic supporters [sports articles]; rods for fishing; ornaments for Christmas trees, except illumination articles and confectionery; tennis ball throwing apparatus; conjuring apparatus; apparatus for games; bowling apparatus and machinery; toy figures; counters [discs] for games; chips for gambling; foosball tables; party poppers [party novelties]; Christmas crackers [party novelties]; bags especially designed for skis and surfboards; marbles for games; billiard balls; balls for playing bowls; play balloons; paintballs [ammunition for paintball guns] [sports apparatus]; snow globes; chess games; draughts [games]; poles for pole vaulting; paper party hats; shin guards [sports articles]; camouflage screens [sports articles]; chest expanders [exercisers].

29 – Ajvar being preserved peppers; aloe vera prepared for human consumption; alginates for culinary purposes; anchovy, not live; peanuts, prepared; artichokes, preserved; albumen for culinary purposes; white of eggs; beans, preserved; soya beans, preserved, for food; broth; ginger jam; ham; fatty substances for the manufacture of edible fats; laver, preserved; edible birds' nests; sea-cucumbers, not live; peas, preserved; mushrooms, preserved; guacamole; game, not live; gelatine; meat jellies; jellies for food; fruit jelly spreads; yolk of eggs; coconut fat; bone oil for food; lard; suet for food; edible fats; rennet; fruit-based snack food; milk substitutes; soya patties; tofu patties; charcuterie; cottage cheese fritters; raisins; caviar; aubergine paste; vegetable marrow paste; fish roe, prepared; yogurt; galbi being grilled meat dish; sauerkraut; kephir; kimchi [fermented vegetable dish]; isinglass

for food; clams, not live; potato-based dumplings; klipfish [salted and dried cod]; milk shakes; black pudding; onion rings; arrangements of processed fruit; compotes; meat, tinned; vegetables, tinned; fish, tinned; fruits, tinned; broth concentrates; corn dogs; gherkins; shrimps, not live; prawns, not live; buttercream; croquettes; silkworm chrysalis for human consumption; sweet corn, processed; koumiss; spiny lobsters, not live; lecithin for culinary purposes; salmon, not live; onions, preserved; margarine; marmalade; oils for food; peanut butter; cocoa butter for food; coconut oil for food; coconut butter; maize oil for food; sesame oil for food; linseed oil for food; extra virgin olive oil for food; olive oil for food; palm oil for food; palm kernel oil for food; sunflower oil for food; rape oil for food; butter; soya bean oil for food; mussels, not live; almonds, ground; animal marrow for food; molluscs, not live; milk; peanut milk; peanut milk for culinary purposes; coconut milk; coconut milk for culinary purposes; almond milk; almond milk for culinary purposes; oat milk; rice milk; rice milk for culinary purposes; albumin milk; condensed milk; soya milk; powdered milk; fish meal for human consumption; vegetable mousses; fish mousses; fruit pulp; meat; meat, preserved; freeze-dried meat; milk beverages, milk predominating; peanut milk-based beverages; coconut milk-based beverages; almond milk-based beverages; edible insects, not live; sausage casings, natural or artificial; vegetables, preserved; freeze-dried vegetables; vegetables, dried; vegetables, cooked; potato fritters; olives, preserved; lobsters, not live; flavoured nuts; candied nuts; coconut, desiccated; nuts, prepared; tomato paste; pressed fruit paste; liver pâté; pectin for culinary purposes; liver; pickles; jams; powdered eggs; milk products; fish-based foodstuffs; prostokvasha being soured milk; poultry, not live; bulgogi; pollen prepared as foodstuff; cranberry compote; tomato purée; apple purée; crayfish, not live; crustaceans, not live; fish, preserved; fish, not live; salted fish; ryazhenka being fermented baked milk; vegetable salads; fruit salads; bacon; sardines, not live; pork; herrings, not live; seeds, prepared; sunflower seeds, prepared; cream [dairy products]; whipped cream; vegetable-based cream; fat-containing mixtures for bread slices; smetana; lemon juice for culinary purposes; tomato juice for cooking; vegetable juices for cooking; salted meats; sausages; sausages in batter; hot dog sausages; preparations for making bouillon; preparations for making soup; nut-based spreads; tripe; soups; vegetable soup preparations; whey; cheese; tahini [sesame seed paste]; tofu; truffles, preserved; tuna, not live; oysters, not live; falafel; milk ferments for culinary purposes; fish fillets; dates; crystallized fruits; frozen fruits; fruit, preserved; fruit preserved in alcohol; fruit, stewed; hazelnuts, prepared; potato flakes; hummus [chickpea paste]; fruit peel; preserved garlic; lentils, preserved; potato crisps; low-fat potato crisps; fruit chips; non-alcoholic eggnog; seaweed extracts for food; meat extracts; es-

camoles being prepared edible ant larvae; yuba being tofu skin; berries, preserved; snail eggs for consumption; eggs; yakitori.

30 – Vanilla flavourings for culinary purposes; flavourings, other than essential oils, for cakes; flavourings, other than essential oils, for beverages; coffee flavourings; food flavourings, other than essential oils; star aniseed; baozi [steamed stuffed buns]; cereal bars; high-protein cereal bars; pancakes; noodle-based prepared meals; freeze-dried dishes with the main ingredient being pasta; freeze-dried dishes with the main ingredient being rice; buns; bulgur; bread rolls; edible rice paper; edible paper; burritos; vanillin [vanilla substitute]; vareniki [stuffed dumplings]; waffles; vermicelli; natural sweeteners; sausage binding materials; binding agents for ice cream; seawater for cooking; seaweed [condiment]; malt biscuits; cloves [spice]; mirror icing [mirror glaze]; cake frosting [icing]; glucose for culinary purposes; mustard; croûtons; buckwheat, processed; gluten additives for culinary purposes; yeast; thickening agents for cooking foodstuffs; leaven; rice-based snack food; cereal-based snack food; coffee substitutes; vegetal preparations for use as coffee substitutes; dressings for salad; zephyr being confectionery; fruit jellies [confectionery]; candy decorations for cakes; confectionery for decorating Christmas trees; cakes; pastries; peanut confectionery; almond confectionery; pasta; ginger [spice]; frozen yogurt [confectionery ices]; cocoa; cream of tartar for culinary purposes; capers; caramels [sweets]; curry [spice]; ketchup [sauce]; gimbap [Korean rice dish]; kimchijeon [fermented vegetable pancakes]; quinoa, processed; quiches; gluten prepared as foodstuff; flour-based dumplings; sweets; liquorice [confectionery]; peppermint sweets; mints for breath freshening; dulce de leche; cinnamon [spice]; coffee; unroasted coffee; starch for food; crackers; custard; hominy grits; semolina; oatmeal; crushed barley; groats for human food; ice cubes; corn, milled; corn, roasted; meat pies; turmeric; couscous [semolina]; noodles; soba noodles; udon noodles; ice for refreshment; ice, natural or artificial; edible ices; lollipops [confectionery]; rice cakes; potato-based flatbreads; mayonnaise; macaroons [pastries]; macaroni; maltose; hominy; piccalilli; marinades; marzipan; honey; miso; royal jelly; ice cream; bean meal; buckwheat flour; tapioca flour; potato flour; corn flour; nut flours; flour; wheat flour; soya flour; barley meal; confectionery in the form of mousses; chocolate mousses; muesli; mint for confectionery; cocoa beverages with milk; coffee beverages with milk; coffee-based beverages; cocoa-based beverages; chamomile-based beverages; tea-based beverages; chocolate beverages with milk; chocolate-based beverages; infusions, not medicinal; crushed oats; husked oats; okonomiyaki [Japanese savory pancakes]; onigiri; nutmegs; chocolate-coated nuts; stick liquorice [confectionery]; pastila [confectionery]; lozenges [confectionery]; molasses for food; pâtés en croûte; pelmeni [dumplings stuffed with meat];

pepper; allspice; peppers [seasonings]; pesto; biscuits; petit-beurre biscuits; bibimbap [rice mixed with vegetables and beef]; pies; pizzas; meat gravies; fondants [confectionery]; popcorn; powders for making ice cream; baking powder; mustard meal; pralines; aromatic preparations for food; condiments; meat tenderizers for household purposes; cereal preparations; oat-based food; propolis; gingerbread; spices; petits fours; rice pudding; puddings; cake powder; fruit coulis [sauces]; ravioli; ramen noodles; chewing gum for breath freshening; chewing gum; relish [condiment]; rice; instant rice; wheat germ for human consumption; spring rolls; sago; palm sugar; sugar; sesame seeds [seasonings]; linseed for culinary purposes [seasoning]; processed seeds for use as a seasoning; aniseed; agave syrup [natural sweetener]; golden syrup; candy bars; batter mixes for okonomiyaki [Japanese savory pancakes]; baking soda [bicarbonate of soda for cooking purposes]; malt for human consumption; salt for preserving foodstuffs; cooking salt; celery salt; sorbets [ices]; ham glaze; cranberry sauce [condiment]; soya sauce; tomato sauce; apple sauce [condiment]; sauces [condiments]; pasta sauce; spaghetti; seasonings; chocolate-based spreads; chocolate spreads containing nuts; preparations for stiffening whipped cream; shaved ice with sweetened red beans; rusks; breadcrumbs; sushi; rice crackers; sandwiches; tabbouleh; tacos; tapioca; tarts; dough; pastry dough; almond paste; rice pulp for culinary purposes; cake batter; tortillas; garden herbs, preserved [seasonings]; chocolate decorations for cakes; vinegar; beer vinegar; ferments for pastes; halvah; unleavened bread; bread; chips [cereal products]; corn flakes; oat flakes; hot dog sandwiches; flowers or leaves for use as tea substitutes; jiaozi [stuffed dumplings]; chicory [coffee substitute]; tea; iced tea; chutneys [condiments]; minced garlic [condiment]; cheeseburgers [sandwiches]; chow-chow [condiment]; saffron [seasoning]; chocolate; malt extract for food; essences for foodstuffs, except etheric essences and essential oils; husked barley.

31 – Algarovilla for animal consumption; anchovy, live; oranges, fresh; peanuts, fresh; artichokes, fresh; draff; beans, fresh; locust beans, raw; wreaths of natural flowers; grapes, fresh; algae, unprocessed, for human or animal consumption; fruit residue [marc]; dog biscuits; sea-cucumbers, live; peas, fresh; buckwheat, unprocessed; mushroom spawn for propagation; mushrooms, fresh; trees; palm trees; turf, natural; unsawn timber; undressed timber; yeast for animal consumption; Christmas trees; edible chews for animals; live animals; menagerie animals; peanut cake for animals; oil cake; maize cake for cattle; rape cake for cattle; bagasses of cane [raw material]; cereal seeds, unprocessed; grains [cereals]; grains for animal consumption; lime for animal forage; fish spawn; vegetable marrows, fresh; cocoa beans, raw; koi carp, live; potatoes, fresh; chestnuts, fresh; quinoa, unprocessed; arrangements of fresh fruit; copra; raw barks; rough cork; animal foodstuffs; pet food; stall food for

animals; bird food; strengthening animal forage; chicory roots; roots for animal consumption; nettles; groats for poultry; maize; edible sesame, unprocessed; shrubs; rose bushes; spiny lobsters, live; lemons, fresh; vine plants; salmon, live; onions, fresh; flower bulbs; leeks, fresh; olives, fresh; bran mash for animal consumption; mussels, live; almonds [fruits]; molluscs, live; peanut meal for animals; linseed meal for animal consumption; meal for animals; flax meal [fodder]; rice meal for forage; fish meal for animal consumption; straw mulch; beverages for pets; edible insects, live; oats; vegetables, fresh; cucumbers, fresh; lobsters, live; fresh and unprocessed nuts; coconuts; kola nuts; bran; distillery waste for animal consumption; residue in a still after distillation; palms [leaves of the palm tree]; cuttle bone for birds; peppers [plants]; aromatic sand [litter] for pets; citrus fruit, fresh; litter for animals; mash for fattening livestock; unprocessed sweet corn ears [husked or unhusked]; animal fattening preparations; preparations for egg laying poultry; fishing bait, live; by-products of the processing of cereals, for animal consumption; seed germ for botanical purposes; poultry, live; wheat; pollen [raw material]; crayfish, live; crustaceans, live; seedlings; plants; aloe vera plants; plants, dried, for decoration; rhubarb, fresh; rice, unprocessed; rye; wheat germ for animal consumption; fish, live; lettuce, fresh; sardines, live; beet, fresh; herrings, live; seeds for planting; linseed for animal consumption; edible linseed, unprocessed; hay; coconut shell; bred stock; sanded paper [litter] for pets; malt for brewing and distilling; straw [forage]; straw litter; salt for cattle; trunks of trees; wood chips for the manufacture of wood pulp; litter peat; garden herbs, fresh; sugarcane; truffles, fresh; tuna, live; squashes, fresh; oysters, live; fruit, fresh; hazelnuts, fresh; fodder; hops; flowers, natural; flowers, dried, for decoration; chicory, fresh; silkworms; garlic, fresh; lentils, fresh; pine cones; hop cones; spinach, fresh; juniper berries; berries, fresh; eggs for hatching, fertilized; silkworm eggs; barley.

32 – Aperitifs, non-alcoholic; barley wine [beer]; lithia water; seltzer water; soda water; waters [beverages]; carbonated water; mineral water [beverages]; table waters; kvass; cocktails, non-alcoholic; beer-based cocktails; lemonades; non-alcoholic beverages; isotonic beverages; non-alcoholic honey-based beverages; rice-based beverages, other than milk substitutes; soya-based beverages, other than milk substitutes; aloe vera drinks, non-alcoholic; whey beverages; protein-enriched sports beverages; soft drinks; non-alcoholic beverages flavoured with coffee; non-alcoholic beverages flavoured with tea; non-alcoholic fruit juice beverages; energy drinks; fruit nectars, non-alcoholic; orgeat; beer; ginger beer; malt beer; powders for effervescing beverages; sarsaparilla [non-alcoholic beverage]; syrups for lemonade; syrups for beverages; smoothies; tomato juice [beverage]; cider, non-alcoholic; vegetable juices [beverages]; fruit juices; preparations for making non-alcoholic beverages; malt ex-

tracts for making liquors; preparations for making beverages; must; grape must, unfermented; beer wort; malt wort; pastilles for effervescing beverages; sherbets [beverages] infused with alcohol; non-alcoholic fruit extracts; extracts of hops for making beer.

33 – Aperitifs; arrack [arak]; baijiu [Chinese distilled alcoholic beverage]; brandy; wine; piquette; whisky; vodka; anisette [liqueur]; kirsch; gin; digestifs [liqueurs and spirits]; cocktails; curacao; anise [liqueur]; liqueurs; pre-mixed alcoholic beverages, other than beer-based; alcoholic beverages, except beer; alcoholic beverages containing fruit; spirits [beverages]; distilled beverages; hydromel [mead]; peppermint liqueurs; bitters; nira [sugarcane-based alcoholic beverage]; rum; sake; perry; cider; rice alcohol; alcoholic extracts; fruit extracts, alcoholic; alcoholic essences.

34 – Flavourings, other than essential oils, for use in electronic cigarettes; flavourings, other than essential oils, for tobacco; gas containers for cigar lighters; absorbent paper for tobacco pipes; cigarette paper; lighters for smokers; tobacco pouches; books of cigarette papers; humidors; matchboxes; firestones; cigar cutters; cigar holders; cigarette holders; mouthpieces for cigarette holders; tips of yellow amber for cigar and cigarette holders; ashtrays for smokers; spittoons for tobacco users; pipe racks for tobacco pipes; pipe cleaners for tobacco pipes; liquid solutions for use in electronic cigarettes; electronic cigarettes; cigarettes; cigarettes containing tobacco substitutes, not for medical purposes; cigarillos; cigars; tobacco jars; match holders; matches; oral vaporizers for smokers; tobacco; chewing tobacco; snuff; snuffboxes; herbs for smoking; tobacco pipes; pocket machines for rolling cigarettes; cigarette filters; cigarette tips; cigar cases; cigarette cases.

35 – Arranging subscriptions to telecommunication services for others; import-export agency services; commercial information agency services; advertising agency services; cost price analysis; rental of advertising space; business auditing; financial auditing; business intermediary services relating to the matching of potential private investors with entrepreneurs needing funding; employment agency services; computerized file management; book-keeping; invoicing; demonstration of goods; transcription of communications [office functions]; opinion polling; market studies; providing business information; providing commercial information and advice for consumers in the choice of products and services; business investigations; business research; marketing research; personnel recruitment; business management and organization consultancy; business organization consultancy; business management consultancy; personnel management consultancy; professional business consultancy; consultancy regarding public relations communication strategies; consultancy regarding advertising communication strategies; layout services for advertising purposes; marketing; marketing in the framework of soft-

ware publishing; targeted marketing; business management of performing artists; business management of sports people; writing of curriculum vitae for others; scriptwriting for advertising purposes; news clipping services; updating and maintenance of information in registries; updating and maintenance of data in computer databases; updating of advertising material; word processing; online retail services for downloadable and pre-recorded music and movies; online retail services for downloadable ring tones; online retail services for downloadable digital music; organization of exhibitions for commercial or advertising purposes; arranging newspaper subscriptions for others; organization of fashion shows for promotional purposes; organization of trade fairs for commercial or advertising purposes; shop window dressing; business appraisals; payroll preparation; data search in computer files for others; sponsorship search; administrative assistance in responding to calls for tenders; business management assistance; commercial or industrial management assistance; commercial intermediation services; providing business information via a website; providing commercial and business contact information; provision of an online marketplace for buyers and sellers of goods and services; web indexing for commercial or advertising purposes; presentation of goods on communication media, for retail purposes; economic forecasting; auctioneering; retail services for works of art provided by art galleries; sales promotion for others; promotion of goods and services through sponsorship of sports events; production of teleshopping programmes; production of advertising films; office machines and equipment rental; rental of advertising time on communication media; publicity material rental; rental of billboards [advertising boards]; rental of vending machines; rental of sales stands; rental of photocopying machines; publication of publicity texts; radio advertising; bill-posting; distribution of samples; dissemination of advertising matter; direct mail advertising; registration of written communications and data; editing of publicity texts; advertising; online advertising on a computer network; outdoor advertising; advertising by mail order; television advertising; document reproduction; compilation of statistics; compilation of information into computer databases; business inquiries; systemization of information into computer databases; advisory services for business management; negotiation of business contracts for others; negotiation and conclusion of commercial transactions for third parties; compiling indexes of information for commercial or advertising purposes; tax preparation; drawing up of statements of accounts; telemarketing services; psychological testing for the selection of personnel; wholesale services for pharmaceutical, veterinary and sanitary preparations and medical supplies; retail services for pharmaceutical, veterinary and sanitary preparations and medical supplies; interim business management; outsourced administrative management for compani-

es; business management of hotels; business management for freelance service providers; business project management services for construction projects; commercial administration of the licensing of the goods and services of others; business management of reimbursement programmes for others; administration of consumer loyalty programs; administration of frequent flyer programs; administrative processing of purchase orders; public relations; competitive intelligence services; modelling for advertising or sales promotion; typing; market intelligence services; appointment reminder services [office functions]; website traffic optimization; administrative services for the relocation of businesses; tax filing services; search engine optimization for sales promotion; appointment scheduling services [office functions]; gift registry services; price comparison services; pay per click advertising; secretarial services; procurement services for others [purchasing goods and services for other businesses]; shorthand; outsourcing services [business assistance]; telephone answering for unavailable subscribers; photocopying services; business efficiency expert services.

40 – Paper finishing; applying finishes to textiles; up-cycling [waste recycling]; vulcanization [material treatment]; skin dressing; fruit crushing; embroidering; galvanization; zinc plating; electroplating; engraving; decontamination of hazardous materials; air deodorizing; stripping finishes; tanning; metal tempering; freezing of foods; gilding; gold plating; providing information relating to material treatment; cadmium plating; permanent-press treatment of fabrics; food and drink preservation; food smoking; leather staining; fur dyeing; shoe staining; textile dyeing; cloth dyeing; laminating; lithographic printing; metal casting; fur glossing; tin plating; boilermaking; taxidermy; magnetization; nickel plating; abrasion; paper treating; water treating; woodworking; processing of cinematographic films; leather working; cloth edging; metal treating; fur conditioning; fur mothproofing; waste treatment [transformation]; textile mothproofing; cloth waterproofing; crease-resistant treatment for clothing; cloth fireproofing; textile treating; wool treating; framing of works of art; window tinting treatment being surface coating; air freshening; fabric bleaching; air purification; soldering; clothing alteration; recycling of waste and trash; processing of oil; pattern printing; photographic printing; offset printing; metal plating; printing; burnishing by abrasion; flour milling; dressmaking; rental of boilers; knitting machine rental; rental of electricity generators; rental of air-conditioning apparatus; rental of space heating apparatus; photographic film development; pottery firing; blacksmithing; custom assembly of products for others; bookbinding; welding services; glassblowing; saddlery working; grinding; cloth cutting; sawing of materials; refining services; timber felling and processing; fur satining; silver plating; incineration of waste and trash; laser scribing; warping [looms]; sorting of

waste and recyclable material [transformation]; photo-composing services; quilting; planing of materials; fulling of cloth; tinting of car windows; slaughtering of animals; destruction of waste and trash; cloth pre-shrinking; services of a dental technician; cryopreservation services; key cutting; dyeing services; sand-blasting services; production of energy; custom tailoring; custom fashioning of fur; photogravure; mill-working; chromium plating; colour separation services; silkscreen printing; optical glass grinding.

41 – Modelling for artists; academies [education]; rental of indoor aquaria; rental of artwork; rental of sports grounds; rental of tennis courts; lending library services; booking of seats for shows; videotaping; physical education; production of music; discotheque services; animal training; dubbing; gambling services; publication of books; providing information in the field of education; providing information relating to recreational activities; providing information in the field of entertainment; movie studio services; health club services [health and fitness training]; nightclub services [entertainment]; layout services, other than for advertising purposes; microfilming; videotape editing; production of radio and television programmes; screenplay writing; game services provided online from a computer network; providing online electronic publications, not downloadable; religious education; aikido instruction; gymnastic instruction; correspondence courses; practical training [demonstration]; training services provided via simulators; organization of balls; organization of exhibitions for cultural and educational purposes; providing recreation facilities; arranging and conducting of colloquiums; arranging and conducting of congresses; arranging and conducting of conferences; arranging and conducting of concerts; arranging and conducting of workshops [training]; arranging and conducting of in-person educational forums; arranging and conducting of seminars; arranging and conducting of symposiums; organization of competitions [education or entertainment]; arranging of beauty contests; organization of cosplay entertainment events; organization of lotteries; organization of fashion shows for entertainment purposes; organization of shows [impresario services]; organization of sports competitions; vocational guidance [education or training advice]; amusement park services; sign language interpretation; television entertainment; mobile library services; vocational retraining; providing online videos, not downloadable; providing online music, not downloadable; providing television programmes, not downloadable, via video-on-demand services; providing films, not downloadable, via video-on-demand services; providing golf facilities; providing sports facilities; providing amusement arcade services; cinema presentations; presentation of circus performances; presentation of variety shows; presentation of live performances; theatre productions; conducting guided climbing tours; conducting fitness classes; educational examination; film production, ot-

her than advertising films; rental of audio equipment; rental of video cameras; rental of video cassette recorders; rental of videotapes; rental of show scenery; rental of sound recordings; toy rental; rental of cinematographic apparatus; rental of motion pictures; games equipment rental; rental of stadium facilities; rental of lighting apparatus for theatrical sets or television studios; rental of radio and television sets; rental of skin diving equipment; rental of sports equipment, except vehicles; rental of stage scenery; electronic desktop publishing; online publication of electronic books and journals; publication of texts, other than publicity texts; radio entertainment; entertainer services; entertainment services; writing of texts; sado instruction [tea ceremony instruction]; zoological garden services; news reporters services; party planning [entertainment]; music composition services; subtitling; tutoring; holiday camp services [entertainment]; conducting guided tours; disc jockey services; personal trainer services [fitness training]; providing casino facilities [gambling]; calligraphy services; karaoke services; club services; songwriting; cultural, educational or entertainment services provided by art galleries; providing museum facilities; teaching; educational services provided by schools; orchestra services; translation; scriptwriting, other than for advertising purposes; ticket agency services [entertainment]; coaching [training]; sport camp services; recording studio services; language interpretation; nursery schools; photography; photographic reporting; timing of sports events; boarding school education; production of shows.

43 – Accommodation bureau services [hotels, boarding houses]; rental of temporary accommodation; rental of meeting rooms; tourist home services; hotel reservations; boarding house bookings; temporary accommodation reservations; hotel accommodation services; retirement home services; snack-bar services; café services; cafeteria services; motel services; boarding house services; boarding for animals; rental of cooking apparatus; rental of chairs, tables, table linen, glassware; rental of lighting apparatus; rental of tents; rental of transportable buildings; rental of drinking water dispensers; restaurant services; self-service restaurant services; reception services for temporary accommodation [management of arrivals and departures]; food sculpting; canteen services; holiday camp services [lodging]; bar services; providing campground facilities; food and drink catering; udon and soba restaurant services; day-nursery [crèche] services.

---

(260) AM 2024 123254 A  
 (800) 1733844  
 (151) 2023 04 24  
 (891) 2023 04 24  
 (731) Société des Produits Nestlé S.A.  
 CH-1800 Vevey, Switzerland

(540)



(591) Green, orange, white and black  
 (531) 26.03.01; 26.03.07; 27.05.01; 29.01.13  
 (511)

5 – Nutritional supplements; dietetic supplements for medical use; dietetic substances, beverages and foodstuffs for medical and clinical use; food for babies; vitamin preparations, mineral-based preparations; meal substitutes for medical use.

---

(260) AM 2024 123255 A

(800) 1733857

(151) 2023 04 27

(891) 2023 04 27

(731) ROLEX SA

3-5-7 rue François-Dussaud, CH-1211 Genève  
 26, Switzerland

(540)



(591) Black, white

(531) 24.09.02; 24.09.05; 24.09.07; 25.01.25;  
 27.05.10

(511)

14 – Timepieces, namely, watches, wrist-watches, component parts for timepieces and accessories for timepieces not included in other classes, clocks and other chronometric instruments, chronometers, chronographs (timepieces), watch bands, dials (timepieces), boxes and cases for timepieces and jewelry, watch movements and their parts; jewelry; precious stones and semi-precious stones; precious metals and alloys thereof; pins (jewelry).

35 – Retail or wholesale services for watches and timepieces; online retail or wholesale store services; retail by electronic means; Internet advertising services.

37 – Services for the repair, servicing, revision and restoration of watches and timepieces; providing advice and information relating to services for the repair, servicing, revision and restoration of watches and timepieces.

42 – Hosting of platforms on the Internet; providing Internet platforms (software); quality control of products and services; services for the quality control, certification and authentication of watches and time-



pieces; inspection of products for quality control purposes.

(260) AM 2024 123256 A

(800) 1733873

(151) 2023 04 07

(891) 2023 04 07

(731) Center for Language Education and Cooperation

Block A, Desheng Up-town, 129

Deshengmenwai Street, Xicheng District,

100101 Beijing, China

(540)

**HSK**

(591) Black, white

(511)

41 – Educational examination; teaching; arranging and conducting of colloquiums; arranging and conducting of workshops [training]; lending library services; publication of texts, other than publicity texts; translation; writing of texts; vocational retraining; coaching [training].

(260) AM 2024 123261 A

(800) 1733944

(151) 2023 02 21

(891) 2023 02 21

(731) Limited Liability Company "Management Company of the Novard Group"

Institutskiy per., 16, RU-127030 Moscow,

Russian Federation

(540)

**EKONIKA PREMIUM**

(591) Black, white

(526) PREMIUM

(511)

2 – Shoe dyes.

3 – Bleaching preparations and other substances for laundry use; cleaning, polishing, scouring and abrasive preparations; soaps; perfumery; essential oils; cosmetics; hair lotions; non-medicated dentifrices; perfumes; eau de Toilette; eau de Cologne; deodorants for human beings or for animals; sanitary preparations being non-medicated toiletries; wipes impregnated with cosmetic preparations; shoemakers' wax, shoe sprays, shoe cream; wipes impregnated with shoe polish and shoe cream; shoe polish; shoe polish applicators containing shoe polish; polishes for shining shoes.

4 – Candles and wicks for lighting; decorative candles.

5 – Shoe deodorizers; deodorants for clothing and textiles.

9 – Magnetic and optical data carriers; sound recording disks; discs bearing video recordings; downloadable video recordings; publications and periodicals in electronic form; spectacles [optics]; binoculars; spectacle frames; spectacle chains; spectacle cases; covers for laptops; bags adapted for notebook computers; bags specially adapted for cameras and photographic equipment; binders adapted for compact discs; mobile telephones and other mobile communications apparatus; leather cases for cellular phones and for tablet computers; covers for cellular phones and for tablet computers; mobile phone accessories including batteries for mobile phones, wireless headsets for use with mobile phones, hands-free holders for cellular phones, mobile phone holders for vehicles, display screens for mobile phones; decorative magnets.

10 – Orthopedic footwear; arch supports for shoes; arch supports for boots and shoes; boots for medical use; arch supports for footwear; orthopedic soles.

14 – Imitation jewelry; horological and chronometric instruments; medals; boxes for timepieces; watch chains; watch bands; jewelry charms; amulets [jewelry]; jewelry boxes; jewelry; pearls [jewelry]; semi-precious stones; precious stones; shoe ornaments of precious metal.

16 – Paper and cardboard; printed matter; bookbinding material; photographs [printed]; stationery; plastic materials for packaging; printing fonts; printing blocks; plastic bags for packaging; baggage claim check tags of paper; tissue paper; school supplies; pen cases; pencil cases; boxes of cardboard or paper; gift boxes of paper; bags [envelopes, pouches] of paper or plastics, for merchandise packaging; collapsible cardboard boxes; gift boxes of cardboard.

18 – Leather and imitations of leather; animal skins; traveling trunks; suitcases; umbrellas and parasols; walking sticks; whips, harness and saddlery; collars for animals; costumes for animals; business card cases; wallets; bags; traveling bags; haversacks; backpacks; purses; vanity cases, not fitted; hat boxes of leather; boxes of leather or leatherboard; cases made of leather or leatherboard; travelling sets [leatherware]; pouch baby carriers; garment bags for travel; beach bags; sports bags; bags for campers; key cases; umbrella covers; document cases; boot bags for travel; dog shoes.

21 – Household or kitchen utensils and containers; combs and sponges; brushes, except paintbrushes; shoe horns; shoe stretchers of wood; button hooks; mitts for polishing shoes; shoe shine cloths; wax-polishing appliances, non-electric, for shoes; blacking brushes; make-up sponges; cleaning sponges; toilet sponges; abrasive sponges for scrubbing the skin; sponges for household purposes; cloths for cleaning spectacles; shoe shine sponges and cloths; serving trays; trays for household use; trays for domestic purposes,

of precious metal; trays for domestic purposes, of metal; trays for domestic purposes, not of metal; serving trays of precious metal; vases; fruit cups; flower vases; ceramic vases; floor vases; vases of precious metal.

24 – Textiles and substitutes for textiles; household linen; curtains of textile or plastic; diaper changing cloths for babies; picnic blankets; traveling rugs [lap robes]; tricot quilts; bed covers; bed blankets; pillowcases; towels of textile materials; door curtains; tablecloths, not of paper; diapered linen; bath linen, except clothing; table linen, not of paper; cot bumpers [bed linen]; baby bunting [snuggle suits]; sleeping bags; sleeping bag liners; face towels of textile; handkerchiefs of textile; place mats of textile; table napkins of textile; glass cloths; lace table mats not made of paper; bunting of textile or plastic; table runners not of paper; tablemats of textile; canvas for tapestry or embroidery.

25 – Clothing; footwear; headwear; underwear; headbands [clothing]; belts [clothing]; sleep masks; money belts [clothing]; scarves; shawls; ponchos; sports shoes; wooden shoes; galoshes; stockings; socks; stocking suspenders; tights; gaiters; leg warmers; gloves [clothing]; suspenders; shower caps; bathing caps; dressing gowns; ear muffs [clothing]; muffs [clothing]; fittings of metal for footwear; soles for footwear; non-slipping devices for footwear; tips for footwear; leisure wear; housecoats; flat shoes; pajamas; slipper socks; welts for shoes; footwear uppers; heelpieces for footwear; heel protectors for shoes.

26 – Lace and embroidery, ribbons and braid; buttons, hooks and eyes, pins and needles; artificial flowers; badges for wear, not of precious metal; competitors' numbers; decorative articles for the hair; bows for the hair; hair barrettes; hair ornaments; hair grips; hair pins; heat adhesive patches for decoration of textile articles [haberdashery]; trimmings for clothing; hat trimmings; shoe trimmings; shoe fasteners; zip fasteners; zip fasteners for bags; edgings for clothing; sewing boxes; shoe hooks; shoe laces; metal fasteners for footwear; haberdashery ribbons; numerals or letters for marking linen; textile bows for gift wrapping; charms, other than for jewellery, key rings or key chains; brooches [clothing accessories]; embroidery for garments; ornamental cloth patches.

28 – Games and toys; gymnastic and sporting articles; cricket bags; golf bags, with or without wheels; golf bag carts; bags especially designed for skis and surfboards; bags adapted for use with sporting equipment; toy buildings; dolls' houses.

35 – Advertising; online advertising on a computer network; radio advertising; television advertising; business management services; business administration; sales promotions at point of purchase or sale, for others; promoting the goods and services of others over the Internet; business management of wholesale

outlets; wholesale and retail store services; online retail services relating to cosmetics; wholesale services for clothing; retail services for clothing; wholesale services for footwear; retail services for footwear; wholesale services relating to bags; retail services relating to bags; wholesale services for jewelry; retail services for jewelry; arranging and conducting of trade fairs; organization of exhibitions for commercial or advertising purposes; publication of advertising texts; demonstration of goods; administrative processing of purchase orders; procurement services for others [purchasing goods and services for other businesses]; compilation and systemization of information into computer databases.

(260) AM 2024 123262 A

(800) 1733949

(151) 2022 12 29

(891) 2022 12 29

(731) Zakrytoe aktsionernoe obshchestvo "Myasnaya galereya"  
ul. Poliny Osipenko, 65, of. 10, RU-600009  
Vladimir, Russian Federation

(540)

**ЖАР-мени**

(591) Black, white

(531) 28.05

(511)

29 – Albumen for culinary purposes; seaweed extracts for food; gelatine; edible fats; anchovy, not live; peanut butter; butter; cocoa butter for food; coconut butter; buttercream; white of eggs; black pudding; broth; preparations for making bouillon; caviar; fruit, preserved; charcuterie; potato chips; sauerkraut; coconut, desiccated; rape oil for food; broth concentrates; jams; frozen fruits; soups; raisins; gherkins; vegetables, preserved; vegetables, cooked; vegetables, dried; edible oils; cream [dairy products]; cheese; frosted fruits; croquettes; crustaceans, not live; dates; milk; crayfish, not live; fish fillets; rennet; fruit, stewed; fruit jellies; fruit pulp; meat; fish, not live; jellies for food; meat jellies; game, not live; ginger jam; soya beans, preserved, for food; fatty substances for the manufacture of edible fats; fat-containing mixtures for bread slices; herrings, not live; lobsters, not live; corn oil; palm kernel oil for food; sesame oil; oysters, not live; isinglass for food; ham; yolk of eggs; yogurt; vegetable soup preparations; vegetable juices for cooking; meat extracts; kefir [milk beverage]; kumys [milk beverage]; milk beverages, milk predominating; whey; milk products; spiny lobsters, not live; bacon; lentils, preserved; margarine; marmalade; animal marrow for food; mussels, not live; mollusks, not live; palm oil for food; nuts, prepared; eggs; powdered eggs; liver pâté; onions, preserved; olives, preserved; olive oil for food; bone oil for food; pectin for culinary purposes; pickles; peas, preserved; sausages; sardelki [sausages]; salted meats; preparations for making soup; to-

mato purée; vegetable salads; lard; fruit salads; sardines, not live; salmon, not live; suet for food; tuna, not live; tomato juice for cooking; sunflower oil for food; tripe; truffles, preserved; poultry, not live; breaded chicken pieces; fruit peel; alginates for culinary purposes; almonds, ground; peanuts, processed; mushrooms, preserved; coconut fat; coconut oil for food; beans, preserved; liver; fish-based foodstuffs; fruit chips; clams, not live; fruit preserved in alcohol; pollen prepared as foodstuff; prawns, not live; fish, preserved; meat, preserved; shrimps, not live; snail eggs for consumption; tofu; whipped cream; pork; edible birds' nests; fish, canned; fish meal for human consumption; fruits, canned; meat, canned; potato fritters; salted fish; sea-cucumbers, not live; silkworm chrysalis for human consumption; vegetables, canned; sausages in batter; potato flakes; apple purée; cranberry compote; tahini [sesame seed paste]; hummus [chickpea paste]; toasted laver; fruit-based snack food; curd; kimchi [fermented vegetable dish]; soya milk; milk shakes; ajvar [preserved peppers]; processed sunflower seeds; fish mousses; non-alcoholic eggnog; vegetable mousses; fish roe, prepared; seeds, prepared; aloe vera prepared for human consumption; preserved garlic; protein milk; linseed oil for food; low-fat potato chips; lecithin for culinary purposes; milk ferments for culinary purposes; compotes; condensed milk; smetana [sour cream]; ryazhenka [fermented baked milk]; prostokvasha [soured milk]; tomato paste; vegetable marrow paste; eggplant paste; peanut milk for culinary purposes; almond milk for culinary purposes; rice milk; artichokes, preserved; arrangements of processed fruit; powdered milk; yakitori; bulgogi; candied nuts; flavored nuts; hazelnuts, prepared; berries, preserved; guacamole [mashed avocado]; onion rings; falafel; lemon juice for culinary purposes; freeze-dried meat; oat milk; vegetable-based cream; freeze-dried vegetables; extra virgin olive oil for food; galbi [grilled meat dish]; escamoles [edible ant larvae, prepared]; edible insects, not live; sweet corn, processed; nut-based spreads; potato-based dumplings; hot dog sausages; corn dogs; soya bean oil for food; milk substitutes; almond milk; peanut milk; coconut milk; coconut milk for culinary purposes; coconut milk-based beverages; rice milk for culinary purposes; almond milk-based beverages; peanut milk-based beverages; sausage casings, natural or artificial; shpikachki [sausages]; chicken nuggets; klipfish [salted and dried cod]; cottage cheese fritters; pressed fruit paste; yuba [tofu skin]; soya patties; tofu patties.

30 – Seaweed [condiment]; pasta; almond paste; aniseed; star aniseed; confectionery for decorating Christmas trees; infusions, not medicinal; coffee flavorings; aromatic preparations for food; seasonings; unleavened bread; salt for preserving foodstuffs; rusks; cookies; malt biscuits; peppermint sweets; sweets; waffles; buns; cocoa; coffee; unroasted coffee; vegetal preparations for use as coffee substitutes; cakes; cinnamon [spice]; capers; caramels [sweets]; curry [spi-

ce]; cereal preparations; chewing gum; chicory [coffee substitute]; tea; chocolate; marzipan; cloves [spice]; condiments; confectionery; corn flakes; popcorn; preparations for stiffening whipped cream; ice cream; pancakes; essences for foodstuffs, except etheric essences and essential oils; cooking salt; thickening agents for cooking foodstuffs; turmeric; natural sweeteners; spices; gingerbread; allspice; flour; bean meal; corn meal; mustard meal; barley meal; soya flour; wheat flour; starch for food; ferments for pastes; fondants [confectionery]; petits fours [cakes]; sugar; flavorings, other than essential oils, for cakes; cake powder; cake dough; ginger [spice]; binding agents for ice cream; ice, natural or artificial; ice for refreshment; glucose for culinary purposes; gluten prepared as foodstuff; groats for human food; vinegar; ketchup [sauce]; cocoa beverages with milk; coffee beverages with milk; chocolate beverages with milk; leaven; yeast; sausage binding materials; macarons; macaroni; corn, milled; corn, roasted; bread; maltose; molasses for food; golden syrup; mint for confectionery; honey; husked barley; mustard; nutmegs; noodles; pies; crushed barley; sandwiches; pastilles [confectionery]; pastries; petit-beurre biscuits; bread rolls; peppers [seasonings]; pizzas; pepper; potato flour; puddings; pralines; ravioli; liquorice [confectionery]; rice; saffron [seasoning]; sago; sauces [condiments]; celery salt; semolina; sherbets [ices]; spaghetti; tapioca; tapioca flour; tarts; vanilla flavorings for culinary purposes; vanillin [vanilla substitute]; vermicelli; meat pies; pâtés en croûte; meat tenderizers for household purposes; edible ices; powders for making ice cream; almond confectionery; peanut confectionery; food flavorings, other than essential oils; flavorings, other than essential oils, for beverages; crushed oats; husked oats; oat-based food; oat flakes; oatmeal; stick liquorice [confectionery]; beer vinegar; coffee-based beverages; cocoa-based beverages; chocolate-based beverages; coffee substitutes; lollipops [confectionery]; chips [cereal products]; chow-chow [condiment]; couscous; malt extract for food; malt for human consumption; bee glue; relish [condiment]; royal jelly; sea water for cooking; sushi; tomato sauce; mayonnaise; crackers; custard; fruit jellies [confectionery]; muesli; rice cakes; soya sauce; frozen yogurt [confectionery ices]; chutneys [condiments]; spring rolls; tacos; tortillas; iced tea; tea-based beverages; dressings for salad; breadcrumbs; tabbouleh; halvah; quiches; meat gravies; miso [seasoning]; cereal-based snack food; rice-based snack food; hominy; hominy grits; baking powder; baking soda [bicarbonate of soda for cooking purposes]; garden herbs, preserved [seasonings]; noodle-based prepared meals; cake frosting [icing]; chocolate mousses; confectionery in the form of mousses; fruit coulis [sauces]; marinades; cheeseburgers [sandwiches]; pesto [sauce]; ham glaze; linseed for culinary purposes [seasoning]; wheat germ for human consumption; high-protein cereal bars; cream of tartar for culinary purposes; gluten additives for culinary purpo-

ses; pasta sauce; cereal bars; palm sugar; dough; flowers or leaves for use as tea substitutes; vareniki [stuffed dumplings]; pelmeni [dumplings stuffed with meat]; khinkali [stuffed dumplings]; manti [stuffed dumplings]; chocolate decorations for cakes; candy decorations for cakes; chocolate-coated nuts; rice pudding; nut flours; minced garlic [condiment]; baozi; rice pulp for culinary purposes; jiaozi; ramen [Japanese noodle-based dish]; okonomiyaki [Japanese savory pancakes]; batter mixes for okonomiyaki [Japanese savory pancakes]; burritos; prepared rice rolled in seaweed; edible paper; edible rice paper; chocolate-based spreads; chocolate spreads containing nuts; flour-based dumplings; agave syrup [natural sweetener]; mirror icing [mirror glaze]; freeze-dried dishes with the main ingredient being rice; freeze-dried dishes with the main ingredient being pasta; chamomile-based beverages; dulce de leche; bibimbap [rice mixed with vegetables and beef]; onigiri [rice balls]; instant rice; hot dog sandwiches; ice cubes; processed seeds for use as a seasoning; sesame seeds [seasonings]; chebureki [deep-fried pie]; piccalilli; quinoa, processed; bulgur; buckwheat, processed; buckwheat flour; cranberry sauce [condiment]; apple sauce [condiment]; croutons; potato-based flatbreads; zefir [confectionery]; pastila [confectionery]; senbei [rice crackers]; kimchijeon [pancakes made with fermented vegetables]; shaved ice with sweetened red beans; mints for breath freshening; chewing gum for breath freshening; udon noodles; soba noodles.

(260) AM 2024 123263 A  
 (800) 1733964  
 (151) 2023 03 27  
 (891) 2023 03 27  
 (731) Macdonald & Muir Limited  
 The Cube, 45 Leith Street, Edinburgh, Scotland  
 EH1 3AT, United Kingdom  
 (540)

## SIGNET

(591) Black, white  
 (511)  
 33 – Alcoholic beverages (except beer); but not including gin or gin-based products and so far as whisky and whisky based drinks are concerned, only Scotch Whisky and Scotch whisky based drinks produced in Scotland.

(260) AM 2024 123264 A  
 (800) 1733977  
 (151) 2023 04 26  
 (891) 2023 04 26  
 (731) Chao Li  
 No. 83, Feiquan Group, Feiquan Village,  
 Xiaohuang Town, Dongxiang County, Fuzhou  
 City, 331800 Jiangxi Province, China

(540)

## Alsuomi

(591) Black, white  
 (531) 27.05.01  
 (511)  
 16 – Paper; note books; printed publications; pictures; bags [envelopes, pouches] of paper or plastics, for packaging; stationery; pen; gummed tape [stationery]; drawing materials; teaching materials [except apparatus].

(260) AM 2024 123278 A  
 (800) 1734235  
 (151) 2023 04 19  
 (891) 2023 04 19  
 (731) Zakrytoe aktsionemoe obshchestvo  
 "Starodvorskie kolbasy"  
 ul. Poliny Osipenko, 41, of. 210, g. Vladimir,  
 RU-600009 Vladimirskaia oblast', Russian  
 Federation

(540)

## Vyazanka

(591) Black, white  
 (511)  
 29 – Ajvar being preserved peppers; aloe vera prepared for human consumption; alginates for culinary purposes; anchovy, not live; peanuts, prepared; artichokes, preserved; white of eggs; beans, preserved; soya beans, preserved, for food; broth; ginger jam; ham; fatty substances for the manufacture of edible fats; toasted laver; edible birds' nests; sea-cucumbers, not live; peas, preserved; mushrooms, preserved; guacamole; game, not live; gelatine; meat jellies; jellies for food, other than confectionery; fruit jellies [jams]; yolk of eggs; coconut fat; bone oil for food; lard; suet for food; edible fats; julienne being baked poultry or mushroom dish with sour cream; curd; fruit-based snack food; milk substitutes; charcuterie; raisins; caviar; aubergine paste; vegetable marrow paste; fish roe, prepared; yogurt; galbi being grilled meat dish; sauerkraut; kephir; kimchi [fermented vegetable dish]; isinglass for food; clams, not live; potato-based dumplings; milk shakes; black pudding; onion rings; arrangements of processed fruit; compotes; meat, tinned; vegetables, tinned; fish, tinned; fruits, tinned; broth concentrates; corn dogs; gherkins; meat cutlets; frozen meat cutlets; shrimps, not live; prawns, not live; buttercream; croquettes; silkworm chrysalis for human consumption; sweet corn, processed; koumiss; chicken wings; spiny lobsters, not live; lecithin for culinary purposes; salmon, not live; onions, preserved; margarine; marmalade; oils for food; peanut butter; cocoa butter for food; coconut butter; maize oil for food; sesame oil for food; linseed oil for food; extra virgin olive oil for food; olive oil for food; palm oil for food; palm kernel oil for food; sunflower oil for

food; rape oil for food; butter; soya bean oil for food; mussels, not live; almonds, ground; animal marrow for food; molluscs, not live; peanut milk; peanut milk for culinary purposes; coconut milk; milk; coconut milk for culinary purposes; almond milk; almond milk for culinary purposes; oat milk; rice milk; rice milk for culinary purposes; albumin milk; condensed milk; soya milk; powdered milk; fish meal for human consumption; vegetable mousses; fish mousses; fruit pulp; meat; meat, preserved; freeze-dried meat; chicken nuggets; milk beverages, milk predominating; peanut milk-based beverages; coconut milk-based beverages; almond milk-based beverages; edible insects, not live; sausage casings, natural or artificial; vegetables, preserved; freeze-dried vegetables; vegetables, dried; vegetables, cooked; potato fritters; olives, preserved; lobsters, not live; flavoured nuts; candied nuts; coconut, desiccated; nuts, prepared; tomato paste; liver pâté; pectin for culinary purposes; liver; pickles; jams; powdered eggs; milk products; fish-based foodstuffs; prostokvasha being soured milk; poultry, not live; battered chicken pieces; bulgogi; pollen prepared as foodstuff; cranberry compote; tomato purée; apple purée; crayfish, not live; crustaceans, not live; fish, preserved; fish, not live; salted fish; ryazhenka being fermented baked milk; vegetable salads; fruit salads; bacon; sardelki [sausages]; sardines, not live; pork; herrings, not live; seeds, prepared; sunflower seeds, prepared; cream [dairy products]; whipped cream; vegetable-based cream; fat-based spreads for bread slices; smetana; lemon juice for culinary purposes; tomato juice for cooking; vegetable juices for cooking; salted meats; sausages; sausages in batter; hot dog sausages; preparations for making bouillon; preparations for making soup; nut-based spreads; tripe; soups; vegetable soup preparations; whey; cheese; tahini; tofu; truffles, preserved; tuna, not live; oysters, not live; falafel; milk ferments for culinary purposes; rennet; fish fillets; dates; crystallized fruits; frozen fruits; fruit, preserved; fruit preserved in alcohol; fruit, stewed; hazelnuts, prepared; potato flakes; hummus [chickpea paste]; fruit peel; preserved garlic; lentils, preserved; potato crisps; low-fat potato crisps; fruit chips; shpikachki [sausages]; non-alcoholic eggnog; seaweed extracts for food; meat extracts; berries, preserved; snail eggs for consumption; eggs; yakitori; edible ant larvae, prepared.

30 – Vanilla flavourings for culinary purposes; flavourings, other than essential oils, for cakes; flavourings, other than essential oils, for beverages; coffee flavourings; food flavourings, other than essential oils; star aniseed; baozi; cereal bars; high-protein cereal bars; pancakes; noodle-based prepared meals; freeze-dried dishes with the main ingredient being pasta; freeze-dried dishes with the main ingredient being rice; buns; bread rolls; edible rice paper; edible paper; burritos; vanillin [vanilla substitute]; vareniki [stuffed dumplings]; waffles; vermicelli; natural swe-

eteners; sausage binding materials; binding agents for ice cream; seawater for cooking; seaweed [condiment]; malt biscuits; cloves [spice]; mirror icing [mirror glaze]; cake frosting [icing]; glucose for culinary purposes; mustard; gluten additives for culinary purposes; yeast; fried pelmeni; thickening agents for cooking foodstuffs; leaven; rice-based snack food; cereal-based snack food; coffee substitutes; vegetal preparations for use as coffee substitutes; dressings for salad; fruit jellies [confectionery]; candy decorations for cakes; confectionery for decorating Christmas trees; cakes; pastries; peanut confectionery; almond confectionery; pasta; ginger [spice]; frozen yogurt [confectionery ices]; cocoa; cream of tartar for culinary purposes; capers; caramels [sweets]; curry [spice]; ketchup [sauce]; kimbap; quiches; gluten prepared as foodstuff; flour-based dumplings; sweets; liquorice [confectionery]; peppermint sweets; dulce de leche; cinnamon [spice]; coffee; unroasted coffee; starch for food; crackers; custard; hominy grits; semolina; oatmeal; crushed barley; groats for human food; ice cubes; corn, milled; corn, roasted; meat pies; turmeric; couscous [semolina]; noodles; ice for refreshment; ice, natural or artificial; edible ices; lollipops [confectionery]; rice cakes; mayonnaise; macaroons [pastries]; macaroni; maltose; hominy; piccalilli; marinades; marzipan; honey; miso [seasoning]; royal jelly; ice cream; bean meal; tapioca flour; potato flour; corn flour; nut flours; flour; wheat flour; soya flour; barley meal; mousses [confectionery]; chocolate mousses; muesli; mint for confectionery; cocoa beverages with milk; coffee beverages with milk; coffee-based beverages; cocoa-based beverages; chamomile-based beverages; tea-based beverages; chocolate beverages with milk; chocolate-based beverages; infusions, not medicinal; onigiri; crushed oats; husked oats; okonomiyaki [Japanese savory pancakes]; nutmegs [spice]; chocolate-coated nuts; stick liquorice [confectionery]; lozenges [confectionery]; molasses for food; pâtés en croûte; pelmeni; khinkali [stuffed dumplings]; manti [stuffed dumplings]; pepper; allspice; peppers [seasonings]; pesto; biscuits; petit-beurre biscuits; bibimbap [rice mixed with vegetables and beef]; pies; pizzas; meat gravies; fondants [confectionery]; popcorn; powders for making ice cream; baking powder; mustard meal; pralines; aromatic preparations for food; condiments; meat tenderizers for culinary purposes; cereal preparations; oat-based food; propolis; gingerbread; spices; petits fours; rice pudding; puddings; cake powder; fruit coulis [sauces]; ravioli; ramen [Japanese noodle-based dish]; chewing gum; relish [condiment]; rice; instant rice; wheat germ for human consumption; spring rolls; sago; palm sugar; sugar; sesame seeds [seasonings]; linseed for culinary purposes [seasoning]; processed seeds for use as a seasoning; aniseed; agave syrup [natural sweetener]; golden syrup; candy bars; batter mixes for okonomiyaki [Japanese savory pancakes]; baking soda [bicarbonate of soda for cooking purposes]; malt for human consumption; salt

for preserving foodstuffs; cooking salt; celery salt; sorbets [ices]; ham glaze; soya sauce; tomato sauce; sauces [condiments]; pasta sauce; spaghetti; seasonings; chocolate-based spreads; chocolate spreads containing nuts; preparations for stiffening whipped cream; rusks; breadcrumbs; sushi; senbei [rice crackers]; sandwiches; tabbouleh; tacos; tapioca; tarts; dough; pastry dough; almond paste; rice pulp for culinary purposes; cake batter; tortillas; garden herbs, preserved [seasonings]; chocolate decorations for cakes; vinegar; beer vinegar; ferments for dough; halvah; bread; unleavened bread; chips [cereal products]; corn flakes; oat flakes; hot dog sandwiches; flowers or leaves for use as tea substitutes; jiaozi; chicory [coffee substitute]; tea; iced tea; chutneys [condiments]; chebureki [deep-fried pies]; minced garlic [condiment]; cheeseburgers [sandwiches]; chow-chow [condiment]; saffron [seasoning]; chocolate; malt extract for food; essences for foodstuffs, except etheric essences and essential oils; husked barley.

(260) AM 2024 123279 A

(800) 1734236

(151) 2023 04 18

(891) 2023 04 18

(731) Zakrytoe aktsionerno obshchestvo,

"Myasnaya galereya"

ul. Poliny Osipenko, d. 65, of. 10, RU-600009

g. Vladimir, Russian Federation

(540)

## Grandmeni

(591) Black, white

(511)

30 – Vanilla flavourings for culinary purposes; flavourings, other than essential oils, for cakes; flavourings, other than essential oils, for beverages; coffee flavourings; food flavourings, other than essential oils; star aniseed; baozi [stuffed buns]; cereal bars; high-protein cereal bars; pancakes; noodle-based prepared meals; freeze-dried dishes with the main ingredient being pasta; freeze-dried dishes with the main ingredient being rice; buns; bread rolls; edible rice paper; edible paper; burritos; vanillin [vanilla substitute]; vareniki [stuffed dumplings]; waffles; vermicelli; natural sweeteners; sausage binding materials; binding agents for ice cream; seawater for cooking; seaweed [condiment]; malt biscuits; cloves [spice]; mirror icing [mirror glaze]; cake frosting [icing]; glucose for culinary purposes; mustard; gluten additives for culinary purposes; yeast; fried pelmeni; thickening agents for cooking foodstuffs; leaven; rice-based snack food; cereal-based snack food; coffee substitutes; vegetal preparations for use as coffee substitutes; dressings for salad; fruit jellies [confectionery]; candy decorations for cakes; confectionery for decorating Christmas trees; cakes; pastries; peanut confectionery; almond confectionery; pasta; ground ginger; frozen yogurt [confectionery ices]; cocoa; cream of tartar for

culinary purposes; capers; caramels [sweets]; curry [spice]; ketchup [sauce]; kimbap; quiches; gluten prepared as foodstuff; flour-based dumplings; sweets; liquorice [confectionery]; peppermint sweets; dulce de leche; cinnamon [spice]; coffee; unroasted coffee; starch for food; crackers; custard; hominy grits; semolina; oatmeal; crushed barley; groats for human food; ice cubes; corn, milled; corn, roasted; meat pies; turmeric; couscous [semolina]; noodles; ice for refreshment; ice, natural or artificial; edible ices; lollipops [confectionery]; rice cakes; mayonnaise; macaroons [pastry]; macaroni; maltose; hominy; piccalilli; marinades; marzipan; honey; miso [seasoning]; royal jelly; ice cream; bean meal; tapioca flour; potato flour; corn flour; nut flours; flour; wheat flour; soya flour; barley meal; dessert mousses [confectionery]; chocolate mousses; muesli; mint for confectionery; cocoa beverages with milk; coffee beverages with milk; coffee-based beverages; cocoa-based beverages; chamomile-based beverages; tea-based beverages; chocolate beverages with milk; chocolate-based beverages; infusions, not medicinal; crushed oats; husked oats; okonomiyaki [Japanese savory pancakes]; onigiri [rice balls]; nutmegs [spice]; chocolate-coated nuts; stick liquorice [confectionery]; lozenges [confectionery]; molasses for food; pâtés en croûte; pelmeni; khinkali [stuffed dumplings]; manti [stuffed dumplings]; pepper; allspice; peppers [seasonings]; pesto [sauce]; biscuits; petit-beurre biscuits; bibimbap [rice mixed with vegetables and beef]; pies; pizzas; meat gravies; fondants [confectionery]; popcorn; powders for making ice cream; baking powder; mustard meal; pralines; aromatic preparations for food; condiments; meat tenderizers for culinary purposes; cereal preparations; oat-based food; propolis; gingerbread; spices; petits fours [cakes]; rice pudding; puddings; cake powder; fruit coulis [sauces]; ravioli; ramen [Japanese noodle-based dish]; chewing gum; relish [condiment]; rice; instant rice; wheat germ for human consumption; spring rolls; sago; palm sugar; sugar; sesame seeds [seasonings]; linseed for culinary purposes [seasoning]; processed seeds for use as a seasoning; aniseed; agave syrup [natural sweetener]; golden syrup; candy bars; batter mixes for okonomiyaki [Japanese savory pancakes]; baking soda [bicarbonate of soda for cooking purposes]; malt for human consumption; salt for preserving foodstuffs; cooking salt; celery salt; sorbets [ices]; ham glaze; soya sauce; tomato sauce; sauces [condiments]; pasta sauce; spaghetti; seasonings; chocolate-based spreads; chocolate spreads containing nuts; preparations for stiffening whipped cream; rusks; breadcrumbs; sushi; senbei [rice crackers]; sandwiches; tabbouleh; tacos; tapioca; tarts; dough; pastry dough; almond paste; rice pulp for culinary purposes; cake batter; tortillas; garden herbs, preserved [seasonings]; chocolate decorations for cakes; vinegar; beer vinegar; ferments for dough; halvah; bread; unleavened bread; chips [cereal products]; corn flakes; oat flakes; hot dog sandwiches; flowers or

leaves for use as tea substitutes; jiaozi [stuffed dumplings]; chicory [coffee substitute]; tea; iced tea; chutneys [condiments]; chebureki [deep-fried pies]; minced garlic [condiment]; cheeseburgers [sandwiches]; chow-chow [condiment]; saffron [seasoning]; chocolate; malt extract for food; essences for foodstuffs, except etheric essences and essential oils; husked barley.

(260) AM 2024 123280 A

(800) 1734237

(151) 2023 04 18

(891) 2023 04 18

(731) Zakrytoe aktsionernoe obshchestvo "Myasnaya Galereya"

ul. Poliny Osipenko, dom 65, ofis 10,

RU-600009 g. Vladimir, Russian Federation

(540)

## Chebupeli

(591) Black, white

(511)

29 – Meat, fish, poultry and game; meat extracts; preserved, frozen, dried and cooked fruits and vegetables; jellies, jams, compotes; eggs, milk and milk products; oils and fats for food; alginates for culinary purposes; anchovy; peanuts, prepared; white of eggs; beans, preserved; soya beans, preserved, for food; broth; ginger jam; fatty substances for the manufacture of edible fats; edible birds' nests; peas, preserved; mushrooms, preserved; gelatine; meat jellies; jellies for food, other than confectionery; fruit jellies [jams]; yolk of eggs; coconut fat; bone oil for food; lard; suet for food; fruit-based snack food; charcuterie; raisins; caviar; sauerkraut; isinglass for food; black pudding; meat, tinned; vegetables, tinned; fish, tinned; fruits, tinned; broth concentrates; gherkins; shrimps, not live; buttercream; croquettes; silkworm chrysalis for human consumption; toasted laver; spiny lobsters, not live; salmon, not live; onions, preserved; margarine; marmalade; vegetable oils for food; peanut butter; cocoa butter for food; coconut butter; butter; shellfish, not live; almonds, ground; animal marrow for food; mussels, not live; soya milk being milk substitute; fish meal for human consumption; fruit pulp; meat, preserved; potato fritters; olives, preserved; lobsters, not live; coconut, desiccated; nuts, prepared; tomato paste; liver pâté; pectin for culinary purposes; liver; pickles; jams; powdered eggs; ham; kimchi [fermented vegetable dish]; fish-based foodstuffs; prostokvasha [soured milk]; poultry, not live; pollen prepared as foodstuff; cranberry compote; apple purée; crustaceans, not live; fish, not live; fish, preserved; vegetable salads; fruit salads; bacon; sardines, not live; pork; herrings, not live; whipped cream; fat-based spreads for bread slices; tomato juice for cooking; vegetable juices for cooking; salted meats; sausages in batter; preparations for making broths; preparations for making soup; tripe; soups; vegetable soup preparations; cheese; ta-

hini [sesame seed paste]; tofu; sea-cucumbers, not live; truffles, preserved; tuna fish; oysters, not live; rennet; fish fillets; dates; crystallized fruits; frozen fruits; fruit preserved in alcohol; potato flakes; hummus [chickpea paste]; fruit peel; lentils, preserved; potato crisps; fruit chips; seaweed extracts for food; snail eggs for consumption.

30 – Coffee; tea; cocoa; sugar; rice; tapioca; sago; coffee substitutes; flour and preparations made from cereals; bread, pastries and confectionery; ice cream; honey; treacle; yeast; baking-powder; salt; mustard; vinegar; condiments; spices; edible ices; aromatic preparations for food; food flavourings, other than essential oils; star aniseed; biscuits; pancakes; buns; bread rolls; vanillin [vanilla substitute]; vanilla flavourings for culinary purposes; waffles; vermicelli; coffee flavourings; natural sweeteners; sausage binding materials; binding agents for edible ices; sea water for cooking; glucose for food; thickening agents for cooking foodstuffs; rice-based snack food; cereal-based snack food; vegetal preparations for use as coffee substitutes; confectionery for decorating Christmas trees; fruit jellies [confectionery]; cakes; peanut confectionery; almond confectionery; pasta; pasties; frozen yogurt; capers; caramels; milk-based gruels for food; quiches; gluten prepared as foodstuff; sweets; liquorice [confectionery]; peppermint sweets; unroasted coffee; starch for food; crackers; hominy grits; groats for human food; corn, milled; corn, roasted; kulebyaki [pies]; turmeric; couscous; pastries; noodles; ice for refreshment; ice, natural or artificial; piccalilli; lollipops [confectionery]; rice cakes; maltose; hominy; marzipan; custard; royal jelly for human consumption, not for medical purposes; fruit ice cream; muesli; mint for confectionery; cocoa beverages with milk; coffee beverages with milk; coffee-based beverages; tea beverages; chocolate beverages with milk; chocolate-based beverages; cocoa-based beverages; infusions, not medicinal; crushed oats; husked oats; nutmegs [spice]; lozenges [confectionery]; molasses for food; pepper; petits fours [cakes]; pies; pizzas; fondants [confectionery]; popcorn; powders for making ice cream; pralines; meat tenderizers for culinary purposes; oat-based food; propolis; gingerbread; puddings; cake powder; ravioli; pelmeni; chewing gum; spring rolls; aniseed; cake batter; candy bars; baking soda; malt for human consumption; salt for preserving foodstuffs; cooking salt; celery salt; spaghetti; seasonings; preparations for stiffening whipped cream; rusks; breadcrumbs; sushi; sandwiches; tabbouleh; tacos; almond paste; tortillas; tarts; garden herbs, preserved [seasonings]; ferments for dough; halvah; bread; unleavened bread; chips [cereal products]; chicory [coffee substitute]; iced tea; chocolate; malt extract for food; essences for foodstuffs, except etheric essences and essential oils.

(260) AM 2024 123290 A

(800) 1734534

(151) 2023 04 06

(891) 2023 04 06

(731) Obshchestvo s ogranichennoy otvetstvennostyu  
"Loren cosmetic"

ulitsa Fabrichnaya vetka, 15, Istrinskiy r-n,  
g. Dedovsk, RU-143532 Moskovskaya oblast',  
Russian Federation

(540)



(591) Black, brown, grey

(531) 08.01.20; 26.04.05; 26.04.16; 26.13.01;

27.05.09; 27.05.10; 27.05.15; 27.05.17;

29.01.14

(526) MILK chokolate

(511)

3 – Abrasives; amber [perfume]; descaling preparations for household purposes; antistatic preparations for household purposes; aromatics [essential oils]; air fragrancing preparations; cake flavourings [essential oils]; flavourings for beverages [essential oils]; breath freshening sprays; canned pressurized air for cleaning and dusting purposes; balms, other than for medical purposes; lip glosses; polishing stones; abrasive paper; emery paper; polishing paper; petroleum jelly for cosmetic purposes; cobblers' wax; cotton wool for cosmetic purposes; sachets for perfuming linen; drying agents for dishwashing machines; adhesives for cosmetic purposes; scented water; Javelle water; lavender water; toilet water; floor wax; non-slipping wax for floors; depilatory wax; moustache wax; tailors' wax; polish for furniture and flooring; shoemakers' wax; polishing wax; massage gels, other than for medical purposes; heliotropine; dental bleaching gels; geraniol; make-up; deodorants for pets; scented wood; perfumes; non-slipping liquids for floors; windscreen cleaning liquids; greases for cosmetic purposes; volcanic ash for cleaning; decorative transfers for cosmetic purposes; ionone [perfumery]; shaving stones [astringents]; smoothing stones; eyebrow pencils; cosmetic pencils; silicon carbide [abrasive]; carbides of metal [abrasives]; alum stones [astringents]; tripoli stone for polishing; adhesives for affixing false eyelashes; adhesives for affixing false hair; quillaia bark for washing; corundum [abrasive]; beard dyes; colorants for toilet purposes; cosmetic dyes; creams for leather; polishing creams; cosmetic creams; skin whitening creams; polishing rouge; incense; hairspray; nail varnish; lotions for cosmetic purposes; after-shave lotion; beauty masks; oils for perfumes and scents; oils for cosmetic purposes; oils for toilet purposes; essential oils of cedarwood; essential oils of lemon; oils for cleaning purposes; bergamot oil; gaultheria oil; jasmine oil; lavender oil; almond oil; rose oil; oil

of turpentine for degreasing; whitening; cleaning chalk; almond milk for cosmetic purposes; cleansing milk for toilet purposes; musk [perfumery]; deodorant soap; shaving soap; soap for brightening textile; cakes of toilet soap; antiperspirant soap; soap for foot perspiration; almond soap; mint for perfumery; make-up kits; emery; nail art stickers; false nails; eau de Cologne; cotton swabs for cosmetic purposes; joss sticks; pastes for razor strops; pumice stone; hydrogen peroxide for cosmetic purposes; breath freshening strips; sandcloth; glass cloth [abrasive cloth]; lipsticks; pomades for cosmetic purposes; shaving preparations; cosmetic preparations for baths; sanitary preparations being non-medicated toiletries; hair waving preparations; laundry soaking preparations; grinding preparations; douching preparations for personal sanitary or deodorant purposes [toiletries]; smoothing preparations [starching]; colour-removing preparations; leather bleaching preparations; polishing preparations; denture polishes; mouthwashes, not for medical purposes; cosmetic preparations for slimming purposes; fabric softeners for laundry use; preparations for washing; dry-cleaning preparations; paint stripping preparations; lacquer-removing preparations; make-up removing preparations; floor wax removers [scouring preparations]; varnish-removing preparations; rust removing preparations; nail care preparations; preparations for cleaning dentures; wallpaper cleaning preparations; preparations for unblocking drain pipes; aloe vera preparations for cosmetic purposes; sunscreen preparations; colour-brightening chemicals for household purposes [laundry]; shining preparations [polish]; make-up powder; diamantine [abrasive]; stain removers; scouring solutions; false eyelashes; tissues impregnated with cosmetic lotions; safrol; laundry blueing; turpentine for degreasing; potpourris [fragrances]; bleaching soda; washing soda, for cleaning; bath salts, not for medical purposes; bleaching salts; fumigation preparations [perfumes]; leather preservatives [polishes]; ammonia [volatile alkali] [detergent]; astringents for cosmetic purposes; eyebrow cosmetics; make-up preparations; sun-tanning preparations [cosmetics]; hair dyes; neutralizers for permanent waving; cosmetic preparations for eyelashes; depilatory preparations; cosmetic preparations for skin care; cosmetics; cosmetics for animals; mascara; detergents, other than for use in manufacturing operations and for medical purposes; degreasers, other than for use in manufacturing processes; bleaching preparations [decolorants] for cosmetic purposes; antiperspirants [toiletries]; talcum powder, for toilet use; terpenes [essential oils]; emery cloth; cloths impregnated with a detergent for cleaning; shampoos; shampoos for pets; dry shampoos; sandpaper; soda lye; extracts of flowers [perfumes]; ethereal essences; badian essence; mint essence [essential oil].



(260) AM 2024 123291 A

(800) 1734542

(151) 2023 05 12

(891) 2023 05 12

(731) ONTEX TÜKETİM ÜRÜNLERİ SANAYİ VE  
TİCARET ANONİM ŞİRKETİ  
SELİMPAŞA MAH. 6093. SK., ONTEX  
TÜKETİM ÜRÜNLERİ SANAYİ TIC AŞ,  
78 Silivri, İstanbul, Türkiye

(540)



(591) Silver, grey, turquoise, white, and blue.

(531) 24.01.05; 24.17.20; 27.05.10; 29.01.13

(511)

3 – Bleaching and cleaning preparations, detergents other than for use in manufacturing operations and for medical purposes, laundry bleach, fabric softeners for laundry use, stain removers, dishwasher detergents; perfumery; non-medicated cosmetics; fragrances; deodorants for personal use and animals; soaps; dental care preparations: dentifrices, denture polishes, tooth whitening preparations, mouth washes, not for medical purposes; abrasive preparations; emery cloth; sandpaper; pumice stone; abrasive pastes; polishing preparations for leather, vinyl, metal and wood, polishes and creams for leather, vinyl, metal and wood, wax for polishing.

5 – Pharmaceutical and veterinary preparations for medical purposes; chemical preparations for medical and veterinary purposes, chemical reagents for pharmaceutical and veterinary purposes; medicated cosmetics; dietary supplements for pharmaceutical and veterinary purposes; dietary supplements; nutritional supplements; medical preparations for slimming purposes; food for babies; herbs and herbal beverages adapted for medicinal purposes; dental preparations and articles: teeth filling material, dental impression material, dental adhesives and material for repairing teeth; sanitary preparations for medical use; hygienic pads; hygienic tampons; plasters; materials for dressings; diapers made of paper and textiles for babies, adults and pets; preparations for destroying vermin; herbicides, fungicides, preparations for destroying rodents; deodorants, other than for human beings or for animals; air purifying preparations; air deodorising preparations; disinfectants; antiseptics; detergents for medical purposes; medicated soaps; disinfectant soaps; antibacterial hand lotions.

10 – Surgical, medical, dental and veterinary apparatus and instruments; furniture especially made for medical purposes; artificial limbs and prostheses; medical orthopaedic articles: corsets for medical purposes, orthopaedic shoes, elastic bandages and supportive bandages; surgical gowns and surgical sterile sheets; adult sexual aids; condoms; babies' bottles; babies' pacifiers; teats; teethers for babies; bracelets and rings

for medical purposes, anti-rheumatism bracelets; anti-rheumatism rings.

(260) AM 2024 123292 A

(800) 1734544

(151) 2023 05 09

(891) 2023 05 09

(731) Obshchestvo s ogranichennoy otvetstvennostyu  
"KDV Yashkino"  
Molodezhnaya str., 1a, pgt., Yashkinsky  
district, Yashkino, RU-652010 Kemerovskaya  
Oblast – Kuzbass, Russian Federation

(540)



(591) White, red, burgundy, pink

(531) 25.03.03; 28.05; 29.01.14

(511)

29 – Preserved peppers; anchovy, not live; peanuts, prepared; artichokes, preserved; white of eggs; beans, preserved; soya beans, preserved, for food; broth; ginger jam; ham; fatty substances for the manufacture of edible fats; laver, preserved; edible birds' nests; peas, preserved; mushrooms, preserved; guacamole; game, not live; gelatine; meat jellies; jellies for food, other than confectionery; fruit jellies [jams]; yolk of eggs; coconut fat; bone oil for food; lard; suet for food; edible fats; fruit-based snack food; milk substitutes; soya patties; tofu patties; charcuterie; raisins; caviar; aubergine paste; vegetable marrow paste; fish roe, prepared; yogurt; galbi being grilled meat dish; sauerkraut; kefir; kimchi; isinglass for food; clams, not live; potato-based dumplings; klipfish [salted and dried cod]; milk shakes; black pudding; onion rings; arrangements of processed fruit; compotes; meat, tinned; vegetables, tinned; fish, tinned; fruits, tinned; broth concentrates; corn dogs; gherkins; shrimps, not live; prawns, not live; buttercream; croquettes; silk-worm chrysalis for human consumption; sweet corn, processed; koumiss; spiny lobsters, not live; lecithin for culinary purposes; salmon, not live; onions, preserved; margarine; marmalade; oils for food; peanut butter; cocoa butter for food; coconut oil for food; coconut butter; maize oil for food; sesame oil for food; linseed oil for food; extra virgin olive oil for food; olive oil for food; palm oil for food; palm kernel oil for food; sunflower oil for food; rape oil for food; butter; soya bean oil for food; mussels, not live; almonds, ground; animal marrow for food; molluscs, not live; milk; peanut milk; peanut milk for culinary purposes; coconut milk; coconut milk for culinary purposes; almond milk; almond milk for culinary purposes; oat milk; rice milk; rice milk for culinary purposes; albumin milk; condensed milk; soya milk; powdered milk; fish meal for human consumption; vegetable mousses; fish mousses; fruit pulp; meat; meat, preserved; freeze-dried meat; milk beverages,

milk predominating; peanut milk-based beverages; coconut milk-based beverages; almond milk-based beverages; edible insects, not live; sausage casings, natural or artificial; vegetables, preserved; freeze-dried vegetables; vegetables, dried; vegetables, cooked; potato fritters; olives, preserved; lobsters, not live; flavoured nuts; candied nuts; coconut, desiccated; nuts, prepared; tomato paste; pressed fruit paste; liver pâté; pectin for culinary purposes; liver; pickles; jams; powdered eggs; milk products; fish-based foodstuffs; soured milk; poultry, not live; bulgogi; pollen prepared as foodstuff; cranberry compote; tomato purée; apple purée; crayfish, not live; crustaceans, not live; fish, preserved; fish, not live; salted fish; fermented baked milk; vegetable salads; fruit salads; bacon; sardines, not live; pork; herrings, not live; seeds, prepared; sunflower seeds, prepared; cream [dairy products]; whipped cream; vegetable-based cream; fat-based spreads for bread slices; smetana; lemon juice for culinary purposes; tomato juice for cooking; vegetable juices for cooking; salted meats; sausages; sausages in batter; hot dog sausages; preparations for making bouillon; preparations for making soup; nut-based spreads; tripe; soups; vegetable soup preparations; whey; cottage cheese fritters; cheese; tajine [prepared meat, fish or vegetable dish]; tahini; tofu; sea-cucumbers, not live; truffles, preserved; tuna, not live; oysters, not live; falafel; milk ferments for culinary purposes; rennet; fish fillets; dates; crystallized fruits; frozen fruits; fruit, preserved; fruit preserved in alcohol; fruit, stewed; hazelnuts, prepared; potato flakes; hummus; fruit peel; preserved garlic; lentils, preserved; potato crisps; low-fat potato crisps; fruit chips; non-alcoholic eggnog; seaweed extracts for food; meat extracts; edible ant larvae, prepared; tofu skin; berries, preserved; eggs; snail eggs for consumption; yakitori.

30 – Vanilla flavourings for culinary purposes; flavourings, other than essential oils, for cakes; flavourings, other than essential oils, for beverages; coffee flavourings; food flavourings, other than essential oils; star aniseed; baozi; cereal bars; high-protein cereal bars; pancakes; noodle-based prepared meals; freeze-dried dishes with the main ingredient being pasta; freeze-dried dishes with the main ingredient being rice; buns; bulgur; bread rolls; edible rice paper; edible paper; burritos; vanillin [vanilla substitute]; vareniki [stuffed dumplings]; waffles; vermicelli; natural sweeteners; sausage binding materials; binding agents for ice cream; seawater for cooking; seaweed [condiment]; malt biscuits; cloves [spice]; mirror icing [mirror glaze]; cake frosting [icing]; glucose for culinary purposes; mustard; croûtons; buckwheat, processed; gluten additives for culinary purposes; yeast; thickening agents for cooking foodstuffs; leaven; rice-based snack food; cereal-based snack food; coffee substitutes; vegetal preparations for use as coffee substitutes; dressings for salad; zephyr being confectionery; fruit jellies [confectionery]; candy decorations for

cakes; confectionery for decorating Christmas trees; cakes; pastries; peanut confectionery; almond confectionery; pasta; ground ginger; frozen yogurt [confectionery ices]; cocoa; cream of tartar for culinary purposes; capers; caramels [sweets]; curry [spice]; ketchup [sauce]; kimbap; kimchi pancakes; quinoa, processed; quiches; gluten prepared as foodstuff; flour-based dumplings; sweets; liquorice [confectionery]; peppermint sweets; mints for breath freshening; dulce de leche; cinnamon [spice]; coffee; unroasted coffee; starch for food; crackers; custard; hominy grits; semolina; oatmeal; crushed barley; groats for human food; ice cubes; corn, milled; corn, roasted; meat pies; turmeric; couscous; noodles; soba noodles; udon noodles; ice for refreshment; ice, natural or artificial; edible ices; lollipops [confectionery]; rice cakes; potato-based flatbreads; mayonnaise; macarons [pastries]; macaroni; maltose; hominy; piccalilli; marinades; marzipan; honey; miso; royal jelly; ice cream; bean meal; buckwheat flour; tapioca flour; potato flour; corn flour; nut flours; flour; wheat flour; soya flour; barley meal; confectionery in the form of mousses; chocolate mousses; muesli; mint for confectionery; cocoa beverages with milk; coffee beverages with milk; coffee-based beverages; cocoa-based beverages; chamomile-based beverages; tea-based beverages; chocolate beverages with milk; chocolate-based beverages; infusions, not medicinal; crushed oats; husked oats; savoury pancakes; onigiri; nutmegs [spice]; chocolate-coated nuts; stick liquorice [confectionery]; soya bean paste [seasoning]; gum paste [confectionery]; lozenges [confectionery]; molasses for food; pâtés en croûte; pelmeni; pepper; allspice; peppers [seasonings]; pesto; biscuits; petit-beurre biscuits; bibimbap [rice mixed with vegetables and beef]; pies; pizzas; meat gravies; fondants [confectionery]; popcorn; powders for making ice cream; baking powder; mustard meal; pralines; aromatic preparations for food; condiments; cereal preparations; oat-based food; propolis; gingerbread; spices; petits fours; rice pudding; puddings; cake powder; fruit coulis [sauces]; ravioli; ramen; chewing gum; chewing gum for breath freshening; relish [condiment]; rice; instant rice; wheat germ for human consumption; spring rolls; sago; sugar; palm sugar; sesame seeds [seasonings]; linseed for culinary purposes [seasoning]; processed seeds for use as a seasoning; aniseed; agave syrup [natural sweetener]; golden syrup; candy bars; savoury pancake mixes; baking soda [bicarbonate of soda for cooking purposes]; malt for human consumption; salt for preserving foodstuffs; cooking salt; celery salt; sorbets [ices]; ham glaze; cranberry sauce [condiment]; soya sauce; tomato sauce; apple sauce [condiment]; sauces [condiments]; pasta sauce; spaghetti; seasonings; chocolate-based spreads; chocolate spreads containing nuts; preparations for stiffening whipped cream; shaved ice with sweetened red beans; rusks; breadcrumbs; sushi; rice crackers; sandwiches; tabbouleh; tacos; tapioca; tarts; dough; pastry dough; almond

paste; rice pulp for culinary purposes; cake batter; tortillas; garden herbs, preserved [seasonings]; chocolate decorations for cakes; vinegar; beer vinegar; ferments for dough; halvah; bread; unleavened bread; chips [cereal products]; corn flakes; oat flakes; hot dog sandwiches; flowers or leaves for use as tea substitutes; jiaozi; chicory [coffee substitute]; tea; iced tea; chutneys [condiments]; minced garlic [condiment]; cheeseburgers [sandwiches]; chow-chow [condiment]; saffron [seasoning]; chocolate; malt extract for food; essences for foodstuffs, except etheric essences and essential oils; husked barley.

32 – Aperitifs, non-alcoholic; barley wine [beer]; carbonated water; lithia water; seltzer water; soda water; waters [beverages]; mineral water [beverages]; table waters; kvass; cocktails, non-alcoholic; beer-based cocktails; lemonades; non-alcoholic beverages; isotonic beverages; non-alcoholic honey-based beverages; rice-based beverages, other than milk substitutes; soya-based beverages, other than milk substitutes; aloe vera drinks, non-alcoholic; whey beverages; protein-enriched sports beverages; soft drinks; non-alcoholic beverages flavoured with coffee; non-alcoholic beverages flavoured with tea; non-alcoholic fruit juice beverages; energy drinks; fruit nectars, non-alcoholic; orgeat; beer; ginger beer; malt beer; powders for effervescing beverages; sarsaparilla [non-alcoholic beverage]; syrups for lemonade; syrups for beverages; smoothies; tomato juice [beverage]; cider, non-alcoholic; vegetable juices [beverages]; fruit juices; preparations for making non-alcoholic beverages; preparations for making carbonated water; must; grape must, unfermented; beer wort; malt wort; pastilles for effervescing beverages; sherbets [beverages]; non-alcoholic fruit extracts; extracts of hops for making beer; non-alcoholic essences for making beverages.

(260) AM 2024 123378 A

(800) 1735013

(151) 2023 05 11

(891) 2023 05 11

(731) Zakrytoe aktsionernoe obshchestvo

"Starodvorskies kolbasy"

ul. Poliny Osipenko, d. 41, of. 210, RU-600009

g. Vladimir, Russian Federation

(540)

**Филедворские**

(591) Black, white

(531) 28.05

(511)

29 – Ajvar being preserved peppers; aloe vera prepared for human consumption; alginates for culinary purposes; anchovy, not live; peanuts, prepared; artichokes, preserved; white of eggs; beans, preserved; soya beans, preserved, for food; broth; ginger jam; ham; fatty substances for the manufacture of edible fats; toasted laver; edible birds' nests; sea-cucumbers, not

live; peas, preserved; mushrooms, preserved; guacamole; game, not live; gelatine; meat jellies; jellies for food, other than confectionery; fruit jellies [jams]; yolk of eggs; coconut fat; bone oil for food; lard; suet for food; edible fats; fruit-based snack food; milk substitutes; charcuterie; raisins; caviar; aubergine paste; vegetable marrow paste; fish roe, prepared; yogurt; galbi being grilled meat dish; sauerkraut; kephir; kimchi; isinglass for food; clams, not live; potato-based dumplings; milk shakes; black pudding; onion rings; arrangements of processed fruit; compotes; meat, tinned; vegetables, tinned; fish, tinned; fruits, tinned; broth concentrates; corn dogs; gherkins; meat cutlets; frozen meat cutlets; shrimps, not live; prawns, not live; buttercream; croquettes; silkworm chrysalis for human consumption; sweet corn, processed; koumiss; chicken wings; spiny lobsters, not live; lecithin for culinary purposes; salmon, not live; onions, preserved; margarine; marmalade; oils for food; peanut butter; cocoa butter for food; coconut oil for food; coconut butter; maize oil for food; sesame oil for food; linseed oil for food; extra virgin olive oil for food; olive oil for food; palm oil for food; palm kernel oil for food; sunflower oil for food; rape oil for food; butter; soya bean oil for food; mussels, not live; almonds, ground; animal marrow for food; molluscs, not live; milk; peanut milk; peanut milk for culinary purposes; coconut milk; coconut milk for culinary purposes; almond milk; almond milk for culinary purposes; oat milk; rice milk; rice milk for culinary purposes; albumin milk; condensed milk; soya milk; powdered milk; fish meal for human consumption; vegetable mousses; fish mousses; fruit pulp; meat; meat, preserved; freeze-dried meat; chicken nuggets; milk beverages, milk predominating; peanut milk-based beverages; coconut milk-based beverages; almond milk-based beverages; edible insects, not live; sausage casings, natural or artificial; vegetables, preserved; freeze-dried vegetables; vegetables, dried; vegetables, cooked; potato fritters; olives, preserved; lobsters, not live; flavoured nuts; candied nuts; coconut, desiccated; nuts, prepared; tomato paste; liver pâté; pectin for culinary purposes; liver; pickles; jams; powdered eggs; milk products; fish-based foodstuffs; prostokvasha being soured milk; poultry, not live; battered chicken pieces; bulgogi; pollen prepared as foodstuff; cranberry compote; tomato purée; apple purée; crayfish, not live; crustaceans, not live; fish, preserved; fish, not live; salted fish; fermented baked milk; vegetable salads; fruit salads; bacon; sardelki [sausages]; sardines, not live; pork; herrings, not live; seeds, prepared; sunflower seeds, prepared; cream [dairy products]; whipped cream; vegetable-based cream; fat-based spreads for bread slices; smetana; lemon juice for culinary purposes; tomato juice for cooking; vegetable juices for cooking; salted meats; sausages; sausages in batter; hot dog sausages; preparations for making bouillon; preparations for making soup; nut-based spreads; tripe; soups; vegetable soup preparations;

whey; cheese; tahini; tofu; truffles, preserved; tuna, not live; oysters, not live; falafel; milk ferments for culinary purposes; rennet; fish fillets; dates; crystallized fruits; frozen fruits; fruit, preserved; fruit preserved in alcohol; fruit, stewed; hazelnuts, prepared; potato flakes; hummus [chickpea paste]; fruit peel; preserved garlic; lentils, preserved; potato crisps; low-fat potato crisps; fruit chips; shpikachki [sausages]; non-alcoholic eggnog; seaweed extracts for food; meat extracts; edible ant larvae, prepared; berries, preserved; snail eggs for consumption; eggs; yakitori.

30 – Vanilla flavourings for culinary purposes; flavourings, other than essential oils, for cakes; flavourings, other than essential oils, for beverages; coffee flavourings; food flavourings, other than essential oils; star aniseed; baozi; cereal bars; high-protein cereal bars; pancakes; noodle-based prepared meals; freeze-dried dishes with the main ingredient being pasta; freeze-dried dishes with the main ingredient being rice; buns; bread rolls; edible rice paper; edible paper; burritos; vanillin [vanilla substitute]; vareniki [stuffed dumplings]; waffles; vermicelli; natural sweeteners; sausage binding materials; binding agents for ice cream; seawater for cooking; seaweed [condiment]; malt biscuits; cloves [spice]; mirror icing [mirror glaze]; cake frosting [icing]; glucose for culinary purposes; mustard; gluten additives for culinary purposes; yeast; fried pelmeni; thickening agents for cooking foodstuffs; leaven; rice-based snack food; cereal-based snack food; coffee substitutes; vegetal preparations for use as coffee substitutes; dressings for salad; fruit jellies [confectionery]; candy decorations for cakes; confectionery for decorating Christmas trees; cakes; pastries; peanut confectionery; almond confectionery; pasta; ground ginger; frozen yogurt [confectionery ices]; cocoa; cream of tartar for culinary purposes; capers; caramels [sweets]; curry [spice]; ketchup [sauce]; kimbap; quiches; gluten prepared as foodstuff; flour-based dumplings; sweets; liquorice [confectionery]; peppermint sweets; dulce de leche; cinnamon [spice]; coffee; unroasted coffee; starch for food; crackers; custard; hominy grits; semolina; oatmeal; crushed barley; groats for human food; ice cubes; corn, milled; corn, roasted; meat pies; turmeric; couscous; noodles; ice for refreshment; ice, natural or artificial; edible ices; lollipops [confectionery]; rice cakes; mayonnaise; macaroons [pastries]; macaroni; maltose; hominy; piccalilli; marinades; marzipan; honey; miso [seasoning]; royal jelly; ice cream; bean meal; tapioca flour; potato flour; corn flour; nut flours; flour; wheat flour; soya flour; barley meal; dessert mousses [confectionery]; chocolate mousses; muesli; mint for confectionery; cocoa beverages with milk; coffee beverages with milk; coffee-based beverages; cocoa-based beverages; chamomile-based beverages; tea-based beverages; chocolate beverages with milk; chocolate-based beverages; infusions, not medicinal; crushed oats; husked oats; okonomiyaki [Japanese savory pancakes]; onigiri; nutmegs [spice];

chocolate-coated nuts; stick liquorice [confectionery]; lozenges [confectionery]; molasses for food; pâtés en croûte; allspice; peppers [seasonings]; pepper; pesto; pelmeni; khinkali [stuffed dumplings]; manti [stuffed dumplings]; biscuits; pizzas; pies; petit-beurre biscuits; bibimbap [rice mixed with vegetables and beef]; meat gravies; rice; sago; fondants [confectionery]; popcorn; powders for making ice cream; baking powder; mustard meal; pralines; aromatic preparations for food; condiments; cereal preparations; oat-based food; propolis; gingerbread; spices; petits fours; rice pudding; puddings; cake powder; fruit coulis [sauces]; ravioli; ramen; chewing gum; relish [condiment]; instant rice; wheat germ for human consumption; spring rolls; palm sugar; sugar; sesame seeds [seasonings]; linseed for culinary purposes [seasoning]; processed seeds for use as a seasoning; aniseed; agave syrup [natural sweetener]; golden syrup; candy bars; savoury pancake mixes; baking soda [bicarbonate of soda for cooking purposes]; malt for human consumption; salt for preserving foodstuffs; cooking salt; celery salt; sorbets [ices]; ham glaze; soya sauce; tomato sauce; sauces [condiments]; pasta sauce; spaghetti; seasonings; chocolate-based spreads; chocolate spreads containing nuts; preparations for stiffening whipped cream; rusks; breadcrumbs; sushi; rice crackers; sandwiches; tabbouleh; tacos; tapioca; tarts; dough; pastry dough; almond paste; rice pulp for culinary purposes; cake batter; tortillas; garden herbs, preserved [seasonings]; chocolate decorations for cakes; vinegar; beer vinegar; ferments for dough; halvah; bread; unleavened bread; chips [cereal products]; corn flakes; oat flakes; hot dog sandwiches; jiaozi; chicory [coffee substitute]; tea; iced tea; chutneys [condiments]; chebureki [deep-fried pies]; minced garlic [condiment]; cheeseburgers [sandwiches]; chow-chow [condiment]; saffron [seasoning]; chocolate; malt extract for food; essences for foodstuffs, except etheric essences and essential oils; husked barley; flowers or leaves for use as tea substitutes.

---

(260) AM 2024 123382 A

(800) 1735033

(151) 2023 05 17

(891) 2023 05 17

(731) Bora Creations S.L.

Calle Velázquez (Pto. de Andratx), 11, E-07157

Andratx, Balearen, Spain

(540)

## HYDRA KISS

(591) Black, white

(511)

3 – Cosmetics; colour cosmetics; lip gloss; lip balm; lipstick; lip oil; skin care preparations; cosmetic preparations for skin care; face oils; cosmetic oils.

---

(260) AM 2024 123383 A  
 (800) 1735035  
 (151) 2023 05 17  
 (891) 2023 05 17  
 (731) Bora Creations S.L.  
 Calle Velázquez (Pto. de Andratx), 11,  
 E-07157 Andratx, Balearen, Spain

(540)

## ELECTRIC GLOW

(591) Black, white  
 (511)  
 3 – Cosmetics; colour cosmetics; lipgloss; lip balm;  
 lipstick; lip oil; face oils; cosmetic oils.

(260) AM 2024 123384 A  
 (800) 1735057  
 (151) 2023 03 23  
 (891) 2023 03 23  
 (731) Limited Liability Company KIT  
 Karla Marksa str., bld. 5, room 39, Kazan,  
 RU-420111 Republic of Tatarstan, Russian  
 Federation

(540)



(591) Dark grey, grey, light grey, white  
 (531) 07.01.09; 07.01.24; 26.05.01; 27.05.10;  
 27.05.24

35 – Rental of office equipment in co-working facilities; demonstration of goods; market studies; marketing; updating and maintenance of data in computer databases; organization of exhibitions for commercial or advertising purposes; business management assistance; providing business information; provision of an online marketplace for buyers and sellers of goods and services; auctioneering; sales promotion for others; advertising; business management of hotels; commercial administration of the licensing of the goods and services of others.

36 – Rental of apartments; rental of offices for co-working; rental of real estate; rental of offices [real estate]; hire-purchase financing; rent collection; real estate services; real estate appraisal; surety services; real estate brokerage; mortgage banking; apartment house management; real estate management; real estate agency services.

(260) AM 2024 123536 A  
 (800) 1737163  
 (151) 2023 06 02  
 (891) 2023 06 02  
 (731) PETMAXI S.A.

Rua General Humberto Delgado, n° 470,  
 P-2240-037 Ferreira do Zêzere, Portugal

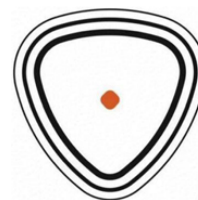
(540)

## JACKPET

(591) Black, white  
 (511)  
 31 – Animal foodstuffs.

(260) AM 2024 123537 A  
 (800) 1737175  
 (151) 2022 12 14  
 (891) 2022 12 14  
 (731) LIMITED LIABILITY COMPANY,  
 "BY WORLD"  
 st. Prechistenka, 40/2, building 1, floor 2, room.  
 XXIV, municipal district Khamovniki ext. ter.g.  
 RU-119034 Moscow, Russian Federation

(540)



(591) Red and black  
 (531) 26.03.03; 26.03.06; 26.03.07; 26.03.11;  
 29.01.13

(511)  
 3 – Abrasives; amber [perfume]; descaling preparations for household purposes; antistatic preparations for household purposes; aromatics [essential oils]; air fragrancing preparations; cake flavourings [essential oils]; flavourings for beverages [essential oils]; food flavourings [essential oils]; breath freshening sprays; canned pressurized air for cleaning and dusting purposes; balms, other than for medical purposes; lip glosses; polishing stones; abrasive paper; emery paper; polishing paper; petroleum jelly for cosmetic purposes; shoe polish; cobblers' wax; cotton wool for cosmetic purposes; sachets for perfuming linen; drying agents for dishwashing machines; adhesives for cosmetic purposes; scented water; Javelle water; lavender water; toilet water; wax for parquet floors; floor wax; non-slipping wax for floors; depilatory wax; moustache wax; tailors' wax; polish for furniture and flooring; shoemakers' wax; polishing wax; massage gels, other than for medical purposes; heliotropine; dental bleaching gels; geraniol; make-up; deodorants for pets; depilatory preparations; air fragrance reed diffusers; scented wood; perfumes; non-slipping liquids for floors; windscreen cleaning liquids; greases for cosmetic purposes; volcanic ash for cleaning; perfumery; decorative transfers for cosmetic purposes; ionone [perfumery]; shaving stones [astringents]; smoothing stones; eyebrow pencils; cosmetic pencils; silicon carbide [abrasive]; carbides of metal [abrasives]; alum stones [astringents]; tripoli stone for polishing; adhe-

sives for affixing false eyelashes; adhesives for affixing false hair; hair conditioners; quillaia bark for washing; corundum [abrasive]; beard dyes; colorants for toilet purposes; cosmetic dyes; shoe cream; polishing creams; cosmetic creams; skin whitening creams; polishing rouge; incense; hair spray; nail varnish; hair lotions; lotions for cosmetic purposes; after-shave lotions; beauty masks; oils for perfumes and scents; oils for cosmetic purposes; oils for toilet purposes; essential oils; essential oils of cedarwood; essential oils of lemon; essential oils of citron; oils for cleaning purposes; bergamot oil; gaultheria oil; jasmine oil; lavender oil; almond oil; rose oil; oil of turpentine for degreasing; whitening; cleaning chalk; almond milk for cosmetic purposes; cleansing milk for toilet purposes; musk [perfumery]; deodorant soap; shaving soap; soap for brightening textile; cakes of toilet soap; antiperspirant soap; soap for foot perspiration; soap; almond soap; mint for perfumery; cosmetic kits; emery; nail art stickers; false nails; eau de Cologne; joss sticks; pastes for razor strops; pumice stone; lipstick cases; hydrogen peroxide for cosmetic purposes; breath freshening strips; teeth whitening strips; sandcloth; glass cloth [abrasive cloth]; lipsticks; pomades for cosmetic purposes; shaving preparations; cosmetic preparations for baths; bath preparations, not for medical purposes; hair straightening preparations; hair waving preparations; laundry soaking preparations; grinding preparations; smoothing preparations [starching]; colour-removing preparations; leather bleaching preparations; polishing preparations; denture polishes; mouthwashes, not for medical purposes; cosmetic preparations for slimming purposes; eye-washes, not for medical purposes; fabric softeners for laundry use; preparations for washing; dry-cleaning preparations; paint stripping preparations; lacquer-removing preparations; make-up removing preparations; floor wax removers [scouring preparations]; varnish-removing preparations; rust removing preparations; nail care preparations; cleaning preparations; preparations for cleaning dentures; wallpaper cleaning preparations; preparations for unblocking drain pipes; chemical cleaning preparations for household purposes; collagen preparations for cosmetic purposes; bleaching preparations [decolorants] for household purposes; aloe vera preparations for cosmetic purposes; sunscreen preparations; colour-brightening chemicals for household purposes [laundry]; breath freshening preparations for personal hygiene; shining preparations [polish]; make-up powder; diamantine [abrasive]; stain removers; nail varnish removers; vaginal washes for personal sanitary or deodorant purposes; scouring solutions; false eyelashes; tissues impregnated with cosmetic lotions; tissues impregnated with make-up removing preparations; safrol; massage candles for cosmetic purposes; laundry blueing; turpentine for degreasing; potpourris [fragrances]; bleaching soda; washing soda, for cleaning; bath salts, not for medical purposes; bleaching salts; fumigation preparations [perfumes]; leather preserva-

tives [polishes]; ammonia [volatile alkali] [detergent]; astringents for cosmetic purposes; eyebrow cosmetics; make-up preparations; sun-tanning preparations [cosmetics]; hair dyes; neutralizers for permanent waving; cosmetic preparations for eyelashes; cosmetic preparations for skin care; shoe wax; cosmetics; cosmetics for children; cosmetics for animals; mascara; cleansers for intimate personal hygiene purposes, non medicated; douching preparations for personal sanitary or deodorant purposes [toiletries]; detergents, other than for use in manufacturing operations and for medical purposes; degreasers, other than for use in manufacturing processes; bleaching preparations [decolorants] for cosmetic purposes; antiperspirants [toiletries]; toiletry preparations; phytocosmetic preparations; talcum powder, for toilet use; cotton swabs for cosmetic purposes; terpenes [essential oils]; emery cloth; cloths impregnated with a detergent for cleaning; henna [cosmetic dye]; shampoos for animals [non-medicated grooming preparations]; shampoos for pets [non-medicated grooming preparations]; dry shampoos; shampoos; sandpaper; soda lye; herbal extracts for cosmetic purposes; extracts of flowers [perfumes]; ethereal essences; badian essence; mint essence [essential oil]; creams for leather; deodorants for human beings or for animals; dentifrices; toothpaste; laundry glaze; laundry bleach; preparations to make the leaves of plants shiny; starch for laundry purposes; starch glaze for laundry purposes.

4 – Anthracite; benzine; biomass fuel; wood briquettes; combustible briquettes; petroleum jelly for industrial purposes; wax [raw material]; ozokerite; wax for lighting; industrial wax; belting wax; carnauba wax; beeswax; beeswax for use in the manufacture of cosmetics; gas for lighting; oil-gas; fuel gas; producer gas; solidified gases [fuel]; fuel; lubricating graphite; additives, non-chemical, to motor fuel; firewood; paper spills for lighting fires; cutting fluids; fish oil, not edible; greases for the preservation of leather; oils for lighting; grease for leather; grease for footwear; tallow; industrial grease; kerosene; coke; lanolin for use in the manufacture of cosmetics; ligroin; wood spills for lighting fires; wax for skis; mazut; fuel oil; oils for the preservation of leather; oils for paints; oils for releasing form work [building]; oils for the preservation of masonry; textile oil; lubricating oil; industrial oil; moistening oil; coal tar oil; coal naphtha; castor oil for industrial purposes; bone oil for industrial purposes; motor oil; sunflower oil for industrial purposes; rape oil for industrial purposes; lubricants; naphtha; petroleum, raw or refined; nightlights [candles]; oleine; paraffin; dust removing preparations; soya bean oil preparations for non-stick treatment of cooking utensils; non-slipping preparations for belts; coal dust [fuel]; firelighters; perfumed candles; Christmas tree candles; candles; grease for arms [weapons]; lubricating grease; grease for belts; vaporized fuel mixtures; dust absorbing compositions; dust binding compositions for sweeping; dust laying compositions; alcohol

[fuel]; stearine; benzene fuel; diesel oil; lighting fuel; xylene fuel; mineral fuel; carburants; fuel with an alcohol base; petrol; peat [fuel]; peat briquettes [fuel]; tinder; lignite; charcoal [fuel]; coal; coal briquettes; lamp wicks; wicks for candles; ceresine; electrical energy; ethanol [fuel]; petroleum ether; wool grease; methylated spirit.

5 – Acaricides; aconitine; alkaloids for medical purposes; alginates for pharmaceutical purposes; algicides; aldehydes for pharmaceutical purposes; dental amalgams of gold; dental amalgams; amino acids for veterinary purposes; amino acids for medical purposes; analgesics; anaesthetics; antibiotics; antiseptics; medicine cases, portable, filled; first-aid boxes, filled; aluminium acetate for pharmaceutical purposes; acetates for pharmaceutical purposes; germicides; balms for medical purposes; bandages for dressings; diagnostic biomarker reagents for medical purposes; biocides; bromine for pharmaceutical purposes; paper for mustard plasters; fly catching paper; reagent paper for veterinary purposes; reagent paper for medical purposes; mothproofing paper; petroleum jelly for medical purposes; vaccines; oxygen baths; antiseptic cotton; aseptic cotton; absorbent cotton; wadding for medical purposes; cotton for medical purposes; dietetic substances adapted for medical use; radiological contrast substances for medical purposes; nutritive substances for microorganisms; radioactive substances for medical purposes; bismuth subnitrate for pharmaceutical purposes; melissa water for pharmaceutical purposes; seawater for medicinal bathing; mineral waters for medical purposes; thermal water; dietary fibre; moulding wax for dentists; gases for medical purposes; guaiacol for pharmaceutical purposes; sexual stimulant gels; haematogen; haemoglobin; hydrastine; hydrastinine; glycerine for medical purposes; glycerophosphates; glucose for medical purposes; gentian for pharmaceutical purposes; hormones for medical purposes; mustard for pharmaceutical purposes; mustard plasters; mud for baths; medicinal mud; gamboge for medical purposes; gurjun balsam for medical purposes; air deodorizing preparations; deodorants, other than for human beings or for animals; diastase for medical purposes; digitalin; vitamin supplement patches; mineral dietary supplements; dietary supplements; albumin dietary supplements; dietary supplements for animals; yeast dietary supplements; alginate dietary supplements; glucose dietary supplements; casein dietary supplements; lecithin dietary supplements; linseed oil dietary supplements; propolis dietary supplements; protein dietary supplements; protein supplements for animals; royal jelly dietary supplements; pollen dietary supplements; wheat germ dietary supplements; linseed dietary supplements; dietary supplements with a cosmetic effect; enzyme dietary supplements; yeast for pharmaceutical purposes; gelatine for medical purposes; cod liver oil; isotopes for medical purposes; immunostimulants; insecticides; iodine for pharmaceutical purposes; iodides for pharmaceutical

purposes; alkaline iodides for pharmaceutical purposes; iodoform; calomel [fungicide]; cream of tartar for pharmaceutical purposes; tartar for pharmaceutical purposes; camphor for medical purposes; capsules for medicines; cachets for pharmaceutical purposes; haemostatic pencils; wart pencils; caustic pencils; carbolineum [parasiticide]; caustics for pharmaceutical purposes; cachou for pharmaceutical purposes; quassia for medical purposes; quebracho for medical purposes; oxygen for medical purposes; gallic acid for pharmaceutical purposes; acids for pharmaceutical purposes; adhesives for dentures; surgical glues; stem cells for veterinary purposes; stem cells for medical purposes; cocaine for medical purposes; collagen for medical purposes; collodion for pharmaceutical purposes; corn rings for the feet; medicated sweets; angostura bark for medical purposes; barks for pharmaceutical purposes; cedar wood for use as an insect repellent; condurango bark for medical purposes; croton bark; mangrove bark for pharmaceutical purposes; myrobalan bark for pharmaceutical purposes; quinquina for medical purposes; medicated animal feed; medicinal roots; rhubarb roots for pharmaceutical purposes; lint for medical purposes; starch for dietetic or pharmaceutical purposes; creosote for pharmaceutical purposes; blood for medical purposes; cultures of microorganisms for medical or veterinary use; curare; dental lacquer; liquorice for pharmaceutical purposes; milk sugar for pharmaceutical purposes; candy for medical purposes; adhesive plasters; medicines for alleviating constipation; adhesive tapes for medical purposes; lecithin for medical purposes; lotions for veterinary purposes; medicated hair lotions; lotions for pharmaceutical purposes; medicated after-shave lotions; personal sexual lubricants; lupulin for pharmaceutical purposes; magnesia for pharmaceutical purposes; liniments; ointments for pharmaceutical purposes; sunburn ointments; mercurial ointments; frostbite salve for pharmaceutical purposes; gauze for dressings; medicinal oils; mustard oil for medical purposes; camphor oil for medical purposes; castor oil for medical purposes; oil of turpentine for pharmaceutical purposes; dill oil for medical purposes; dental mastics; dental abrasives; dental impression materials; teeth filling material; dressings, medical; surgical dressings; drugs for medical purposes; medicines for veterinary purposes; serotherapeutic medicines; medicines for human purposes; medicines for dental purposes; menthol; medicinal drinks; moleskin for medical purposes; almond milk for pharmaceutical purposes; powdered milk for babies; royal jelly for pharmaceutical purposes; milk ferments for pharmaceutical purposes; Irish moss for medical purposes; flour for pharmaceutical purposes; linseed meal for pharmaceutical purposes; fish meal for pharmaceutical purposes; fly glue; antibacterial soap; disinfectant soap; medicated soap; freeze-dried meat adapted for medical purposes; mint for pharmaceutical purposes; dietetic beverages adapted for medical purposes; malted milk beverages

for medical purposes; narcotics; medicinal infusions; tincture of iodine; eucalyptol for pharmaceutical purposes; tinctures for medical purposes; opium; opodeldoc; decoctions for pharmaceutical purposes; antiparasitic collars for animals; stick liquorice for pharmaceutical purposes; sulfur sticks [disinfectants]; pastilles for pharmaceutical purposes; medicated toothpaste; pectin for pharmaceutical purposes; pepsins for pharmaceutical purposes; peptones for pharmaceutical purposes; hydrogen peroxide for medical purposes; pesticides; food for babies; leeches for medical purposes; blood plasma; nicotine patches for use as aids to stop smoking; eyepatches for medical purposes; poultices; compresses; scapulars for surgical purposes; babies' diapers; diapers for pets; diapers for incontinence; bunion pads; breast-nursing pads; pomades for medical purposes; powder of cantharides; pyrethrum powder; anti-uric preparations; bacterial preparations for medical and veterinary use; bacteriological preparations for medical and veterinary use; balsamic preparations for medical purposes; albuminous preparations for medical purposes; biological preparations for veterinary purposes; biological preparations for medical purposes; veterinary preparations; bismuth preparations for pharmaceutical purposes; vitamin preparations; diagnostic preparations for veterinary purposes; diagnostic preparations for medical purposes; bath preparations for medical purposes; therapeutic preparations for the bath; haemorrhoid preparations; preparations for callouses; lice treatment preparations [pediculicides]; acne treatment preparations; preparations to facilitate teething; preparations for the treatment of burns; fumigation preparations for medical purposes; ootherapy preparations; air purifying preparations; bronchodilating preparations; preparations for reducing sexual activity; sterilizing preparations; soil-sterilizing preparations; corn remedies; pharmaceutical preparations for treating dandruff; preparations for destroying noxious animals; herbicides; preparations for destroying dry rot fungus; larvae exterminating preparations; fly destroying preparations; preparations for destroying mice; slug exterminating preparations; preparations for destroying parasites; pharmaceutical preparations for skin care; contact lens cleaning preparations; preparations of microorganisms for medical or veterinary use; lime-based pharmaceutical preparations; styptic preparations; medicated eye-washes; medicinal hair growth preparations; nutraceutical preparations for therapeutic or medical purposes; opiates; anticryptogamic preparations; aloe vera preparations for pharmaceutical purposes; preparations of trace elements for human and animal use; sulfonamides [medicines]; pharmaceutical preparations; pharmaceutical preparations for treating sunburn; enzyme preparations for veterinary purposes; enzyme preparations for medical purposes; phytotherapy preparations for medical purposes; chemico-pharmaceutical preparations; chemical preparations for veterinary purposes; chemical preparations for the diagnosis

of pregnancy; chemical preparations for medical purposes; chemical preparations for treating wheat blight; chemical preparations for treating diseases affecting vine plants; chemical preparations for treating mildew; chemical preparations for treating phylloxera; chemical preparations for pharmaceutical purposes; chilblain preparations; mothproofing preparations; collyrium; lead water; chemical conductors for electrocardiograph electrodes; albuminous foodstuffs for medical purposes; dietetic foods adapted for medical purposes; by-products of the processing of cereals for dietetic or medical purposes; homogenized food adapted for medical purposes; freeze-dried food adapted for medical purposes; pharmaceuticals; sanitary towels; panty liners [sanitary]; propolis for pharmaceutical purposes; pearl powder for medical purposes; radium for medical purposes; hydrated chloral for pharmaceutical purposes; solvents for removing adhesive plasters; vaginal washes for medical purposes; solutions for contact lenses; chemical reagents for medical or veterinary purposes; gum for medical purposes; rubber for dental purposes; chewing gum for medical purposes; nicotine gum for use as an aid to stop smoking; insect repellents; insect repellent incense; repellents for dogs; tissues impregnated with pharmaceutical lotions; sarsaparilla for medical purposes; sugar for medical purposes; asthmatic tea; fumigating sticks; massage candles for therapeutic purposes; suppositories; linseed for pharmaceutical purposes; tobacco-free cigarettes for medical purposes; siccatives [drying agents] for medical purposes; syrups for pharmaceutical purposes; turpentine for pharmaceutical purposes; greases for veterinary purposes; greases for medical purposes; lacteal flour for babies; infant formula; soporifics; bicarbonate of soda for pharmaceutical purposes; bath salts for medical purposes; salts for mineral water baths; salts for medical purposes; potassium salts for medical purposes; sodium salts for medical purposes; smelling salts; mineral water salts; malt for pharmaceutical purposes; semen for artificial insemination; alcohol for pharmaceutical purposes; medicinal alcohol; alloys of precious metals for dental purposes; ergot for pharmaceutical purposes; cooling sprays for medical purposes; antibacterial handwashes; adjuvants for medical purposes; astringents for medical purposes; vermifuges; disinfectants for hygiene purposes; disinfectants for chemical toilets; appetite suppressants for medical purposes; medical preparations for slimming purposes; parasiticides; mouthwashes for medical purposes; febrifuges; depuratives; animal washes [insecticides]; detergents for medical purposes; cattle washes [insecticides]; dog washes [insecticides]; insecticidal veterinary washes; vesicants; purgatives; remedies for perspiration; remedies for foot perspiration; chemical contraceptives; antiparasitic preparations; laxatives; tonics [medicines]; medicated toiletry preparations; digestives for pharmaceutical purposes; nervines; bouillons for bacteriological cultures; steroids; strychnine; serums; tan-



ning pills; appetite suppressant pills; slimming pills; antioxidant pills; sanitary tampons; vulnerary sponges; thymol for pharmaceutical purposes; smoking herbs for medical purposes; medicinal herbs; transplants [living tissues]; surgical implants comprised of living tissues; pants, absorbent, for incontinence; sanitary panties; babies' diaper-pants; charcoal for pharmaceutical purposes; porcelain for dental prostheses; phenol for pharmaceutical purposes; enzymes for veterinary purposes; enzymes for medical purposes; ferments for pharmaceutical purposes; formic aldehyde for pharmaceutical purposes; phosphates for pharmaceutical purposes; fungicides; quinine for medical purposes; chinoline for medical purposes; diabetic bread adapted for medical use; chloroform; flowers of sulfur for pharmaceutical purposes; cement for animal hooves; bone cement for surgical and orthopaedic purposes; dental cements; medicinal tea; herbal teas for medicinal purposes; insecticidal animal shampoos; medicated shampoos; medicated shampoos for pets; pediculicidal shampoos; medicated dry shampoos; pre-filled syringes for medical purposes; eucalyptus for pharmaceutical purposes; herbal extracts for medical purposes; plant extracts for pharmaceutical purposes; tobacco extracts [insecticides]; extracts of hops for pharmaceutical purposes; elixirs [pharmaceutical preparations]; ethers for pharmaceutical purposes; esters for pharmaceutical purposes; cellulose esters for pharmaceutical purposes; rat poison; poisons; bacterial poisons; jalap; disinfectants; all-purpose disinfectants; deodorants for clothing and textiles; acai powder dietetic supplements; cotton swabs for medical purposes; cotton wool swabs for medical purposes; milking grease; douching preparations for medical purposes; sedatives; jujube, medicated; biological tissue cultures for veterinary purposes; biological tissue cultures for medical purposes; fennel for medical purposes; cellulose ethers for pharmaceutical purposes.

7 – 3D printers; vending machines; welding machines, electric; soldering apparatus, gas-operated; vulcanization apparatus; acetylene cleaning apparatus; high pressure washers; apparatus for drawing up beer under pressure; apparatus for aerating water; apparatus for aerating beverages; electrical apparatus for sealing plastics [packaging]; electric arc cutting apparatus; electric arc welding apparatus; electric welding apparatus; inking apparatus for printing machines; electric welding machines; fittings for engine boilers; expansion tanks [parts of machines]; drums [parts of machines]; reels, mechanical, for flexible hoses; brake shoes, other than for vehicles; concrete mixers [machines]; bobbins for weaving looms; harrows; journal boxes [parts of machines]; bulldozers; hoppers [mechanical discharging]; mine borers; railway wagon lifts; rolling mill cylinders; crank shafts; printing rollers for machines; camshafts for vehicle engines; transmission shafts, other than for land vehicles; fans for motors and engines; saw benches [parts of machines]; winnowers; vibrators [machines] for industrial use; bea-

rings [parts of machines]; bellows [parts of machines]; agitators; drilling rigs, floating or non-floating; lawnmowers [machines]; card clothing [parts of carding machines]; nail extractors, electric; emergency power generators; alternators; dynamos; bicycle dynamo; current generators; electricity generators; hydraulic controls for machines, motors and engines; mufflers for motors and engines; drilling heads [parts of machines]; drilling bits [parts of machines]; cylinder heads for engines; soldering blow pipes, gas-operated; gas-operated blow torches; raking machines; stalk separators [machines]; sieves [machines or parts of machines]; mud catchers and collectors [machines]; tarring machines; rubber tracks being parts of crawlers on mining machines; rubber tracks being parts of crawlers on snow ploughs; rubber tracks being parts of crawlers on loading-unloading machines and apparatus; rubber tracks being parts of crawlers on agricultural machines; rubber tracks being parts of crawlers on construction machines; hydraulic engines and motors; aeronautical engines; aeroplane engines; engines for air cushion vehicles; compressed air engines; jet engines, other than for land vehicles; engines for boats; driving motors, other than for land vehicles; motors, other than for land vehicles; propulsion mechanisms, other than for land vehicles; disintegrators; tympan [parts of printing presses]; holding devices for machine tools; turf removing ploughs; chisels for machines; jacks [machines]; rack and pinion jacks; moving walkways; electric hand drills; crushers for kitchen use, electric; flues for engine boilers; reapers; reapers and binders; millstones; rakes for raking machines; shredders [machines] for industrial use; kitchen grinders, electric; injectors for engines; incubators for eggs; cutting tools being parts of machines; hand-held tools, other than hand-operated; agricultural implements, other than hand-operated; air condensers; control cables for machines, engines or motors; capstans; calenders; rotary steam presses, portable, for fabrics; ditchers [ploughs]; carburettors; sliders for knitting machines; crankcases for machines, motors and engines; steamrollers; pressure valves [parts of machines]; clack valves [parts of machines]; pressure reducers [parts of machines]; tin openers, electric; cowlings [parts of machines]; machine wheels; freewheels, other than for land vehicles; scale collectors for machine boilers; lasts for shoes [parts of machines]; brake pads, other than for vehicles; piston segments; grease rings [parts of machines]; reapers and threshers; coal-cutting machines; compressors [machines]; air pumps [garage installations]; compressors for refrigerators; conveyors [machines]; belt conveyors; converters for steelworks; steam condensers [parts of machines]; aerocondensers; diggers [machines]; rams [machines]; thermic lances [machines]; boxes for matrices [printing]; gear boxes, other than for land vehicles; grease boxes [parts of machines]; housings [parts of machines]; harvesting machines; steam engine boilers; coffee grinders, other than hand-operated; taps

[parts of machines, engines or motors]; cranes [lifting and hoisting apparatus]; roller bridges; water separators; spray guns for paint; cranks [parts of machines]; potters' wheels; cultivators [machines]; soldering lamps; winches; ploughshares; belts for conveyors; igniting magnetos; handling machines, automatic [manipulators]; churns; matrices for use in printing; machine fly-wheels; shearing machines for animals; paper mill machines; blowing machines; knitting machines; galvanizing machines; bending machines; ironing machines; mineworking machines; blowing machines for the compression, exhaustion and transport of gases; blowing machines for the compression, sucking and carrying of grain; net hauling machines [fishing]; electroplating machines; bottle sealing machines; sealing machines for industrial purposes; engraving machines; crushing machines; waste disposal units; earth moving machines; cord making machines; lace making machines; butter machines; cigarette machines for industrial purposes; sausage making machines; stereotype machines; hosiery looms; grinding machines; dyeing machines; bottle washing machines; dishwashers; bottle filling machines; racket stringing machines; leather-working machines; dairy machines; glass-working machines; tobacco processing machines; grain husking machines; painting machines; oil refining machines; peeling machines; machines for processing plastics; printing machines for use on sheet metal; brewing machines; whitewashing machines; road sweeping machines, self-propelled; bitumen making machines; papermaking machines; pasta making machines; machines for the production of sugar; weeding machines; sifting machines; puddling machines; notchers [machine tools]; bread cutting machines; road making machines; railroad constructing machines; rammers [machines]; rail-laying machines; bottle capping machines; bottle stoppering machines; packaging machines; waste compacting machines; die-stamping machines; stamping machines; darning machines; drainage machines; wrapping machines; grain separators; bookbinding apparatus and machines for industrial purposes; machines and apparatus for cleaning, electric; machines and apparatus for carpet shampooing, electric; machines and apparatus for polishing [electric]; size adjustment cutting machines for industrial purposes; punching machines; riveting machines; kitchen machines, electric; foundry machines; smoothing presses; fleshing machines; washing machines; flour mill machines; type-setting machines [printing]; hemming machines; grating machines for vegetables; braiding machines; wringing machines for laundry; cutting machines; steam engines; printing machines; rotary printing presses; compressed air machines; tilling machines for agricultural purposes; trimming machines; spinning machines; filling machines; friezing machines; cutters [machines]; satinizing machines; agricultural machines; mixing machines; sorting machines for industry; stitching machines; washing machines [laundry]; coin-operated washing machines; clippers

[machines]; spinning frames; spin dryers [not heated]; looms; kneading machines; typographic machines; type-setting machines [photocomposition]; beating machines; beaters, electric; packing machines; filtering machines; moulding machines; carding machines; sewing machines; typecasting machines; electromechanical machines for chemical industry; labellers [machines]; mills [machines]; mills for household purposes, other than hand-operated; pepper mills, other than hand-operated; centrifugal mills; machine wheelwork; feeders [parts of machines]; forge blowers; mixers [machines]; blenders, electric, for household purposes; vacuum cleaner bags; threshing machines; pneumatic hammers; hammers [parts of machines]; tilt hammers; power hammers; reeling apparatus, mechanical; motorized cultivators; motors for boats; clutches, other than for land vehicles; meat cutters [machines]; superchargers; brake linings, other than for vehicles; guides for machines; suction nozzles for vacuum cleaners; vacuum cleaner attachments for disseminating perfumes and disinfectants; pumps [machines]; pumps [parts of machines, engines or motors]; aerating pumps for aquaria; vacuum pumps [machines]; compressed air pumps; pumps for heating installations; beer pumps; pumps for counter-current swimming; lubricating pumps; self-regulating fuel pumps; fuel dispensing pumps for service stations; centrifugal pumps; knives [parts of machines]; knives for mowing machines; chaff cutter blades; knives, electric; shears, electric; scissors, electric; vegetable spiralizers, electric; engine mounts, other than for land vehicles; bearing brackets for machines; pulverisers [machines]; axles for machines; steam traps; chucks [parts of machines]; drill chucks [parts of machines]; exhaust manifold for engines; soldering irons, gas-operated; soldering irons, electric; superheaters; gears, other than for land vehicles; reduction gears, other than for land vehicles; drilling machines; saws [machines]; chain saws; guns [tools using explosive cartridges]; glue guns, electric; compressed air guns for the extrusion of mastics; carburetter feeders; feeding apparatus for engine boilers; loading ramps; ploughs; pneumatic transporters; pneumatic controls for machines, motors and engines; hangers [parts of machines]; anti-friction bearings for machines; roller bearings; self-oiling bearings; bearings for transmission shafts; ball-bearings; elevators [lifts]; hoists; lifts, other than ski-lifts; pulleys; saw blades [parts of machines]; pistons [parts of machines or engines]; shock absorber plungers [parts of machines]; pistons for engines; pistons for cylinders; catalytic converters; torque converters, other than for land vehicles; fuel conversion apparatus for internal combustion engines; presses [machines for industrial purposes]; wine presses; basket presses; fruit presses, electric, for household purposes; fodder presses; printing presses; typographic presses; swaging machines; pedal drives for sewing machines; cleaning appliances utilizing steam; food processors, electric; springs [parts of machines];

spinning wheels; punches for punching machines; vacuum cleaners; tambours for embroidery machines; radiators [cooling] for motors and engines; sewage pulverizers; air brushes for applying colour; regulators [parts of machines]; pressure regulators [parts of machines]; speed governors for machines, engines and motors; knives being parts of machines; cutting blow pipes, gas-operated; blade holders [parts of machines]; loom shafts; gears for weaving looms; belts for machines; elevator belts; fan belts for motors and engines; dynamo belts; belts for motors and engines; adhesive bands for pulleys; industrial robots; 3D printing pens; kick starters for motorcycles; joysticks being parts of machines, other than for game machines; stuffing boxes [parts of machines]; paper feeders [printing]; whisks, electric, for household purposes; sparking plugs for internal combustion engines; glow plugs for Diesel engines; brake segments, other than for vehicles; tedding machines; steam/oil separators; cream/milk separators; ball rings for bearings; sowers [machines]; pigs for cleaning pipes; snow ploughs; sheaf-binding machines; shaft couplings [machines]; juice extractors, electric; straw [chaff] cutters; suction cups for milking machines; stands for machines; machine tools; die-cutting and tapping machines; wood-working machines; sharpening machines; bicycle assembling machines; mortising machines; stone-working machines; metalworking machines; threading machines; planing machines; lathes [machine tools]; milling machines; metal drawing machines; rolling mills; starters for motors and engines; stators [parts of machines]; glaziers' diamonds [parts of machines]; tables for machines; derricks; slide rests [parts of machines]; couplings, other than for land vehicles; heat exchangers [parts of machines]; transmissions for machines; transmission mechanisms, other than for land vehicles; boiler tubes [parts of machines]; wind turbines; hydraulic turbines; turbines, other than for land vehicles; turbocompressors; connecting rods for engines; central vacuum cleaning installations; suction machines for industrial purposes; washing installations for vehicles; degreasers [machines]; dust exhausting installations for cleaning purposes; machines for the mineralization of drinking water; sifting installations; pneumatic tube conveyors; dust removing installations for cleaning purposes; condensing installations; pneumatic waste oil drainers; lifting apparatus; air suction machines; dividing machines; igniting devices for internal combustion engines; door closers, hydraulic; door closers, pneumatic; door closers, electric; window closers, pneumatic; washing apparatus; binding apparatus for hay; haulage apparatus [mining]; door openers, hydraulic; door openers, pneumatic; door openers, electric; curtain drawing devices, electrically operated; adhesive tape dispensers [machines]; anti-pollution devices for motors and engines; beverage preparation machines, electromechanical; food preparation machines, electromechanical; elevator operating apparatus; control mechanisms for ma-

chines, engines or motors; shoe polishers, electric; machines and apparatus for wax-polishing, electric; air cushion devices for moving loads; handling apparatus for loading and unloading; elevating apparatus; aprons [parts of machines]; filter presses; filters [parts of machines or engines]; filters for cleaning cooling air, for engines; moulds [parts of machines]; printing plates; journals [parts of machines]; centrifugal machines; elevator chains [parts of machines]; drive chains, other than for land vehicles; transmission chains, other than for land vehicles; cylinders for motors and engines; cylinders for machines; printing cylinders; pneumatic jacks; shuttles [parts of machines]; universal joints [Cardan joints]; pulleys [parts of machines]; vacuum cleaner hoses; screwdrivers, electric; brushes [parts of machines]; dynamo brushes; brushes, electrically operated [parts of machines]; carbon brushes [electricity]; ejectors; fuel economisers for motors and engines; excavators; shovels, mechanical; agricultural elevators; motors, electric, other than for land vehicles; electrodes for welding machines; electric hammers; parquet wax-polishers, electric; cartridges for filtering machines; moving staircases [escalators]; automatic grapnels for marine purposes; reels [parts of machines]; valves [parts of machines]; water heaters being parts of machines; exhausts for motors and engines; de-aerators for feedwater; pump diaphragms; ski edge sharpening tools, electric; mechanized feeders for animals; grindstones [parts of machines]; lubricators [parts of machines]; embossing machines; finishing machines; blade sharpening [stropping] machines; ore treating machines; leather paring machines; cinder sifters [machines]; machines for the textile industry; milking machines; joints [parts of engines]; window closers, hydraulic; window closers, electric; window openers, hydraulic; window openers, pneumatic; window openers, electric; brushes for vacuum cleaners.

8 – Glaziers' diamonds [parts of hand tools]; apparatus for tattooing; razors, electric or non-electric; sharpening steels; scythe stones; gimlets [hand tools]; borers; augers [hand tools]; carpenters' augers; dibbers, hand-operated; levers; table forks; agricultural forks [hand tools]; lawn clippers [hand instruments]; harpoons; harpoons for fishing; nail extractors, hand-operated; rakes [hand tools]; sand trap rakes; cutter bars [hand tools]; whetstone holders; priming irons [hand tools]; sculptors' chisels; lifting jacks, hand-operated; truncheons; clamps for carpenters or coopers; spades [hand tools]; rabbeting planes; chisels; engraving needles; tattoo needles; cutlery; edge tools [hand tools]; garden tools, hand-operated; abrading instruments [hand instruments]; numbering punches; goffering irons; implements for decanting liquids [hand tools]; depilation appliances, electric and non-electric; sharpening instruments; blade sharpening instruments; livestock marking tools; oyster openers; polishing irons [glazing tools]; ear-piercing apparatus; tube cutting instruments; wire strippers [hand tools];

riveters [hand tools]; expanders [hand tools]; cutting tools [hand tools]; ski edge sharpening tools, hand-operated; hand tools, hand-operated; stamping-out tools [hand tools]; picks [hand tools]; sharpening stones; punch rings [knuckle dusters]; trowels; centre punches [hand tools]; daggers; pickaxes; mallets [hand instruments]; pliers; punch pliers [hand tools]; blades [weapons]; annular screw plates; spanners [hand tools]; tap wrenches; ladles [hand tools]; foundry ladles [hand tools]; breast drills; lasts [shoemakers' hand tools]; scythe rings; instruments for punching tickets; diggers [hand tools]; rams [hand tools]; scythes; hainault scythes; fire irons; emery grinding wheels; grindstones [hand tools]; sledgehammers; thistle extractors [hand tools]; tree pruners; nail drawers [hand tools]; ice picks; blades [hand tools]; razor blades; blades for planes; plane irons; jig-saws; spoons; table knives, forks and spoons for babies; table knives, forks and spoons of plastic; crow bars; shovels [hand tools]; palette knives; machetes; beard clippers; hair clippers for personal use, electric and non-electric; hair clippers for animals [hand instruments]; taps [hand tools]; fireplace bellows [hand tools]; swords; hammers [hand tools]; fullers [hand tools]; stone hammers; masons' hammers; riveting hammers [hand tools]; mattocks; hoes [hand tools]; ditchers [hand tools]; mincing knives; manicure sets; manicure sets, electric; pedicure sets; needle files; bits [hand tools]; files [tools]; emery files; air pumps, hand-operated; hand pumps; shaving cases; cheese slicers, non-electric; fruit segmenters; egg slicers, non-electric; non-electric pizza cutters; scaling knives; hobby knives [scalpels]; fruit corers; moulding irons; ceramic knives; tin openers, non-electric; farriers' knives; budding knives; hunting knives; penknives; grafting tools [hand tools]; braiders [hand tools]; box cutters; bill-hooks; paring knives; knives; cleavers; wick trimmers [scissors]; cattle shearers; border shears; pruning shears; shearers [hand instruments]; scissors; sword scabbards; kitchen mandolines; vegetable spiralizers, hand-operated; vegetable peelers [hand tools]; agricultural implements, hand-operated; side arms, other than firearms; stropping instruments; screwdrivers, non-electric; stirring sticks for mixing paint; reamer sockets; drill holders [hand tools]; perforating tools [hand tools]; rammers [hand tools]; emery boards; nail files; nail files, electric; saws [hand tools]; bow saws; tweezers; hair-removing tweezers; guns [hand tools]; non-electric caulking guns; guns, hand-operated, for the extrusion of mastics; dies [hand tools]; fruit pickers [hand tools]; saw blades [parts of hand tools]; shear blades; tool belts [holders]; hair braiders, electric; table cutlery [knives, forks and spoons]; crimping irons; hand implements for hair curling; vegetable choppers; money scoops; instruments and tools for skinning animals; hackles [hand tools]; pin punches; nail punches; fish tapes [hand tools]; punches [hand tools]; insecticide vaporizers [hand tools]; syringes for spraying insecticides; reamers; frames for

handsaws; saw holders; rasps [hand tools]; paring irons [hand tools]; graving tools [hand tools]; milling cutters [hand tools]; razor strops; leather strops; planes; scythe handles; knife handles; handles for hand-operated hand tools; marline spikes; bits [parts of hand tools]; hollowing bits [parts of hand tools]; pruning scissors; silver plate [knives, forks and spoons]; pruning knives; sickles; drawing knives; scrapers [hand tools]; scrapers for skis; mortise chisels; caulking irons; gouges [hand tools]; mortars for pounding [hand tools]; mitre boxes [hand tools]; branding irons; hatchets; adzes [tools]; vices; bench vices [hand implements]; hoop cutters [hand tools]; axes; holing axes; fulling tools [hand tools]; earth rammers [hand tools]; tube cutters [hand tools]; squares [hand tools]; extension pieces for braces for screw taps; embossers [hand tools]; apparatus for destroying plant parasites, hand-operated; metal wire stretchers [hand tools]; metal band stretchers [hand tools]; flat irons; irons [non-electric hand tools]; razor cases; ratchets [hand tools]; scraping tools [hand tools]; awls; choppers being knives; spatulas [hand tools]; spatulas for use by artists; wine bottle foil cutters, hand-operated; bayonets; pincers; curling tongs; cuticle tweezers; eyelash curlers; pickhammers; nail clippers, electric or non-electric; nail nippers; trowels [gardening]; putty knives; shears; sabres; fingernail polishers, electric or non-electric; cutters.

9 – 3D spectacles; DVD players; ticket dispensers; juke boxes, musical; fire engines; answering machines; electrical adapters; batteries for electronic cigarettes; accumulators, electric; batteries, electric, for vehicles; accelerometers; actinometers; alidades; altimeters; ammeters; anemometers; anodes; aerials; anticathodes; apertometers [optics]; high-frequency apparatus; testing apparatus not for medical purposes; electrodynamic apparatus for the remote control of railway points; electro-dynamic apparatus for the remote control of signals; remote control apparatus; monitoring apparatus, other than for medical purposes; sound recording apparatus; Global Positioning System [GPS] apparatus; distillation apparatus for scientific purposes; diffraction apparatus [microscopy]; air analysis apparatus; apparatus to check franking; sound transmitting apparatus; fermentation apparatus for laboratory use; breathing apparatus for underwater swimming; breathing apparatus, except for artificial respiration; apparatus and installations for the production of X-rays, not for medical purposes; cash registers; electric apparatus for commutation; intercommunication apparatus; stills for laboratory experiments; projection apparatus; fire extinguishing apparatus; radiological apparatus for industrial purposes; X-ray apparatus not for medical purposes; blueprint apparatus; flashing lights [luminous signals]; stereoscopic apparatus; telephone apparatus; facsimile machines; phototelegraphy apparatus; igniting apparatus, electric, for igniting at a distance; salinometers; acidimeters for batteries; aerometers; battery jars; barometers; anode

batteries; galvanic batteries; ignition batteries; solar batteries; solar panels for the production of electricity; batteries, electric; balances [steelyards]; betatrons; binoculars; biochips; electronic tags for goods; lens hoods; magnetic tape units for computers; computer memory devices; fire hose nozzles; encoded identification bracelets, magnetic; connected bracelets [measuring instruments]; safety tarpaulins; electronic key fobs being remote control apparatus; bullet-proof clothing; signalling buoys; life buoys; marking buoys; vacuum gauges; electrolysis apparatus for laboratory use; variometers; scales; baby scales; bathroom scales; letter scales; weighbridges; precision balances; scales with body mass analysers; camcorders; video cassettes; video telephones; video screens; viewfinders, photographic; micrometer screws for optical instruments; viscosimeters; circuit closers; wavemeters; voltmeters; luminous signs; switchboxes [electricity]; current rectifiers; gas testing instruments; gasometers [measuring instruments]; galvanometers; hands-free kits for telephones; heliographic apparatus; hygrometers; hydrometers; weights; peepholes [magnifying lenses] for doors; holograms; plotters; loudspeakers; plumb bobs; range finders; densimeters; densitometers; detectors; smoke detectors; infrared detectors; counterfeit coin detectors; joysticks for use with computers, other than for video games; transparencies [photography]; slide projectors; diaphragms [photography]; dictating machines; dynamometers; light-emitting diodes [LED]; floppy disks; phonograph records; disks, magnetic; optical discs; disk drives for computers; juke boxes for computers; wearable video display monitors; electronic numeric displays; DNA chips; electronic interactive whiteboards; electronic notice boards; electric wire harnesses for automobiles; bullet-proof vests; life jackets; reflective safety vests; identification threads for electric wires; nose clips for divers and swimmers; locks, electric; bells [warning devices]; alarm bells, electric; electric door bells; signal bells; acoustic conduits; mirrors for inspecting work; road signs, luminous or mechanical; marine depth finders; probes for scientific purposes; buzzers; needles for surveying compasses; needles for record players; eyewear; reflective articles for wear, for the prevention of accidents; measures; pressure measuring apparatus; simulators for the steering and control of vehicles; inverters [electricity]; pressure indicators; temperature indicators; incubators for bacteria culture; measuring instruments; cosmographic instruments; mathematical instruments; levelling instruments; instruments containing eyepieces; surveying instruments; azimuth instruments; interfaces for computers; ionization apparatus not for the treatment of air or water; satellite finder meters; spark-guards; coaxial cables; fibre optic cables; cables, electric; calipers; slide calipers; screw-tapping gauges; calorimeters; calculating machines; pocket calculators; decompression chambers; rearview cameras for vehicles; cinematographic cameras; thermal imaging cameras; mouth guards for

sports; life-saving capsules for natural disasters; electronic pens [visual display units]; holders for electric coils; identity cards, magnetic; video game cartridges; toner cartridges, unfilled, for printers and photocopiers; memory cards for video game machines; encoded magnetic cards; riding helmets; carriers for dark plates [photography]; automated teller machines [ATM]; cathodes; spools [photography]; choking coils [impedance]; coils, electric; electromagnetic coils; cinematographic film, exposed; computer keyboards; solenoid valves [electromagnetic switches]; wire connectors [electricity]; thin client computers; encoded key cards; electronic book readers; electronic agendas; push buttons for bells; magnetic encoders; visors for helmets; collectors, electric; calibrating rings; smart rings; ring sizers; protective suits for aviators; commutators; compact discs [audio-video]; compact discs [read-only memory]; comparators; marine compasses; computers; laptop computers; tablet computers; notebook computers; wearable computers; condensers [capacitors]; contacts, electric; wind socks for indicating wind direction; traffic cones; branch boxes [electricity]; distribution boxes [electricity]; junction boxes [electricity]; battery boxes; cabinets for loudspeakers; diving suits; galena crystals [detectors]; covers for electric outlets; logs [measuring instruments]; lasers, not for medical purposes; lactodensimeters; lactometers; vacuum tubes [radio]; darkroom lamps [photography]; thermionic valves; amplifying tubes; flashlights [photography]; head cleaning tapes [recording]; magnetic tapes; videotapes; surveying chains; fire escapes; rulers [measuring instruments]; square rulers for measuring; slide-rules; contact lenses; correcting lenses [optics]; optical lenses; optical condensers; sounding lines; electricity conduits; measuring spoons; magnifying glasses [optics]; thread counters; magnets; decorative magnets; crash test dummies; resuscitation mannequins [teaching apparatus]; pressure gauges; security tokens [encryption devices]; divers' masks; solderers' helmets; protective masks, not for medical purposes; respiratory masks, other than for artificial respiration; materials for electricity mains [wires, cables]; voting machines; money counting and sorting machines; material testing instruments and machines; furniture especially made for laboratories; megaphones; portable media players; diaphragms [acoustics]; diaphragms for scientific apparatus; metal detectors for industrial or military purposes; digital weather stations; metronomes; rules [measuring instruments]; carpenters' rules; dressmakers' measures; mechanisms for coin-operated apparatus; mechanisms for counter-operated apparatus; coin-operated mechanisms for television sets; shutter releases [photography]; micrometers; microprocessors; microscopes; microtomes; microphones; audio mixers; modems; lightning conductors; monitors [computer hardware]; monitors [computer programs]; selfie sticks [handheld monopods]; terminals [electricity]; junction sleeves for electric cables; teeth pro-

tectors; temperature indicator labels, not for medical purposes; knee-pads for workers; headphones; surveyors' levels; sound recording carriers; magnetic data media; optical data media; electronic sheet music, downloadable; computer software; sheaths for electric cables; identification sheaths for electric wires; weighing machines; computer hardware; punched card machines for offices; life saving equipment; objectives [lenses] [optics]; lenses for astrophotography; selfie lenses; egg-candlers; fire extinguishers; rescue laser signalling flares; electrified fences; limiters [electricity]; clothing for protection against accidents, irradiation and fire; clothing for protection against fire; asbestos clothing for protection against fire; clothing especially made for laboratories; ozonisers [ozonators]; octants; eyepieces; ohmmeters; wrist rests for use with computers; spectacle frames; oscillographs; plumb lines; mirrors [optics]; spectacles; sunglasses; goggles for sports; finger sizers; signalling panels, luminous or mechanical; radio pagers; pince-nez; electronic pocket translators; transmitters [telecommunication]; telephone transmitters; transmitters of electronic signals; switches, electric; periscopes; gloves for divers; gloves for protection against accidents; gloves for protection against X-rays for industrial purposes; asbestos gloves for protection against accidents; furnaces for laboratory use; pipettes; pyrometers; planimeters; plane tables [surveying instruments]; plates for batteries; computer software platforms, recorded or downloadable; wafers for integrated circuits; printed circuit boards; compact disc players; cassette players; sound recording strips; X-ray films, exposed; films, exposed; life-saving rafts; laboratory trays; digital signs; semiconductors; polarimeters; personal digital assistants [PDAs]; fire pumps; measuring glassware; life belts; fuses; circuit breakers; converters, electric; telerupters; food analysis apparatus; diagnostic apparatus, not for medical purposes; distance recording apparatus; distance measuring apparatus; speed measuring apparatus [photography]; appliances for measuring the thickness of leather; apparatus for measuring the thickness of skins; speed checking apparatus for vehicles; teaching apparatus; time recording apparatus; apparatus and instruments for astronomy; surveying apparatus and instruments; weighing apparatus and instruments; nautical apparatus and instruments; navigational instruments; optical apparatus and instruments; apparatus and instruments for physics; chemistry apparatus and instruments; measuring apparatus; measuring devices, electric; boiler control instruments; meteorological instruments; naval signalling apparatus; observation instruments; navigation apparatus for vehicles [on-board computers]; satellite navigational apparatus; regulating apparatus, electric; telecommunication apparatus in the form of jewellery; precision measuring apparatus; audio- and video-receivers; prisms [optics]; computer software applications, downloadable; printers for use with computers; hemline markers; retorts'

stands; apparatus for changing record player needles; drainers for use in photography; cleaning apparatus for phonograph records; fire beaters; sighting telescopes for firearms; telescopic sights for artillery; test tubes; pressure indicator plugs for valves; magnetic wires; telegraph wires; telephone wires; wires, electric; conductors, electric; copper wire, insulated; fuse wire; computer programs, recorded; game programs for computers; computer programs [downloadable software]; computer operating programs, recorded; computer screen saver software, recorded or downloadable; record players; processors [central processing units]; rods for water diviners; electronic publications, downloadable; distribution consoles [electricity]; control panels [electricity]; radar apparatus; baby monitors; masts for wireless aerials; transmitting sets [telecommunication]; radios; vehicle radios; sprinkler systems for fire protection; frames for photographic transparencies; screens for photoengraving; flowmeters; walkie-talkies; voltage surge protectors; voltage regulators for vehicles; stage lighting regulators; speed regulators for record players; cell switches [electricity]; washing trays [photography]; marking gauges [joinery]; T-squares for measuring; time switches, automatic; relays, electric; X-ray photographs, other than for medical purposes; rheostats; respirators for filtering air; retorts; refractometers; refractors; grids for batteries; security surveillance robots; laboratory robots; teaching robots; humanoid robots with artificial intelligence for use in scientific research; speaking tubes; horns for loudspeakers; subwoofers; saccharometers; optical fibres [light conducting filaments]; traffic-light apparatus [signalling devices]; dog whistles; signalling whistles; sports whistles; sextants; inductors [electricity]; safety nets; nets for protection against accidents; fire alarms; signals, luminous or mechanical; sirens; electronic access control systems for interlocking doors; scanners [data processing equipment]; hand-held electronic dictionaries; integrated circuit cards [smart cards]; smartglasses; smartphones; smartwatches; connections for electric lines; couplings, electric; sonars; sound locating instruments; lighting ballasts; resistances, electric; spectrograph apparatus; spectroscopes; speed indicators; alcoholmeters; satellites for scientific purposes; protection devices for personal use against accidents; audiovisual teaching apparatus; charging stations for electric vehicles; radiotelegraphy sets; radiotelephony sets; spectacle lenses; anti-glare glasses; optical glass; personal stereos; stereoscopes; stands for photographic apparatus; stroboscopes; fire boats; sulfitometers; bags adapted for laptops; drying racks [photography]; spherometers; integrated circuits; printed circuits; counters; parking meters; mileage recorders for vehicles; revolution counters; abacuses; egg timers [sandglasses]; taximeters; ear plugs for divers; tachometers; television apparatus; telegraphs [apparatus]; telescopes; teleprompters; teleprinters; cordless telephones; theodolites; interactive touch screen terminals; thermo-hyg-

rometers; thermometers, not for medical purposes; thermostats; thermostats for vehicles; crucibles [laboratory]; tone arms for record players; totalizers; transistors [electronic]; transponders; protractors [measuring instruments]; transformers [electricity]; step-up transformers; resuscitation training simulators; vehicle breakdown warning triangles; triodes; starter cables for motors; discharge tubes, electric, other than for lighting; capillary tubes for laboratory use; neon signs; Pitot tubes; X-ray tubes not for medical purposes; telephone receivers; squares for measuring; gauges; quantity indicators; automatic indicators of low pressure in vehicle tyres; petrol gauges; water level indicators; electric loss indicators; light-emitting electronic pointers; slope indicators; levels [instruments for determining the horizontal]; mercury levels; spirit levels; urinometers; amplifiers; particle accelerators; electric installations for the remote control of industrial operations; steering apparatus, automatic, for vehicles; balancing apparatus; video recorders; sound reproduction apparatus; invoicing machines; tape recorders; protection devices against X-rays, not for medical purposes; railway traffic safety appliances; data processing apparatus; oxygen transvasing apparatus; theft prevention installations, electric; film cutting apparatus; drying apparatus for photographic prints; optical character readers; centering apparatus for photographic transparencies; dosage dispensers; battery chargers; chargers for electric accumulators; chargers for electronic cigarettes; acoustic alarms; sounding apparatus and machines; apparatus for editing cinematographic film; cathodic anti-corrosion apparatus; couplers [data processing equipment]; anti-theft warning apparatus; computer peripheral devices; anti-interference devices [electricity]; demagnetizing apparatus for magnetic tapes; acoustic couplers; alarms; fog signals, non-explosive; whistle alarms; adding machines; readers [data processing equipment]; heat regulating apparatus; photocopiers [photographic, electrostatic, thermic]; electric and electronic effects units for musical instruments; bar code readers; downloadable image files; downloadable music files; animated cartoons; filters for respiratory masks; filters for ultraviolet rays, for photography; USB flash drives; magic lanterns; optical lanterns; signal lanterns; cameras [photography]; glazing apparatus for photographic prints; shutters [photography]; darkrooms [photography]; photometers; flash-bulbs [photography]; digital photo frames; enlarging apparatus [photography]; photovoltaic cells; containers for contact lenses; spectacle cases; containers for microscope slides; cases for smartphones; cases especially made for photographic apparatus and instruments; chromatography apparatus for laboratory use; chronographs [time recording apparatus]; laboratory centrifuges; spectacle chains; cyclotrons; compasses for measuring; frequency meters; time clocks [time recording devices]; Petri dishes; sleeves for laptops; covers for personal digital assistants [PDAs]; covers for tablet computers; fire blan-

kets; chips [integrated circuits]; jigs [measuring instruments]; pedometers; meteorological balloons; electrified rails for mounting spot lights; asbestos screens for firemen; fire hose; virtual reality headsets; protective helmets for sports; head guards for sports; snorkels; cell phone straps; spectacle cords; tripods for cameras; switchboards; distribution boards [electricity]; equalizers [audio apparatus]; screens [photography]; workmen's protective face-shields; projection screens; radiology screens for industrial purposes; fluorescent screens; exposure meters [light meters]; ducts [electricity]; galvanic cells; downloadable graphics for mobile phones; epidiascopes; ergometers; armatures [electricity]; black boxes [data recorders]; magnetic resonance imaging [MRI] apparatus, not for medical purposes; acid hydrometers; beacons, luminous; directional compasses; verniers; levelling staffs [surveying instruments]; video baby monitors; electric plugs; electric sockets; plug connectors; electrical plugs and sockets; current plugs; mechanical signs; sounding leads; circular slide rules; audio interfaces; protective helmets; mouse pads; close-up lenses; mouse [computer peripheral]; shoes for protection against accidents, irradiation and fire; electronic collars to train animals; protective films adapted for computer screens; protective films adapted for smartphone screens; light dimmers [regulators], electric; safety restraints, other than for vehicle seats and sports equipment; mobile telephones; wearable activity trackers; downloadable ring tones for mobile phones; filters for use in photography; protective cases for smartphones.

10 – Analysers for bacterial identification for medical purposes; blood testing apparatus; testing apparatus for medical purposes; anaesthetic apparatus; galvanic therapeutic appliances; apparatus for artificial respiration; apparatus for the treatment of deafness; physical exercise apparatus for medical purposes; body rehabilitation apparatus for medical purposes; dental apparatus and instruments; surgical apparatus and instruments; resuscitation apparatus; dental apparatus, electric; physiotherapy apparatus; bed vibrators; hot air therapeutic apparatus; diagnostic apparatus for medical purposes; traction apparatus for medical purposes; radiotherapy apparatus; microdermabrasion apparatus; fumigation apparatus for medical purposes; apparatus for the regeneration of stem cells for medical purposes; apparatus for DNA and RNA testing for medical purposes; apparatus and installations for the production of X-rays, for medical purposes; magnetic resonance imaging [MRI] apparatus for medical purposes; radiological apparatus for medical purposes; X-ray apparatus for medical purposes; hearing aids; nasal aspirators; trusses; maternity belts; bandages, elastic; cupping glasses; dental burs; bracelets for medical purposes; anti-nausea wristbands; anti-rheumatism bracelets; feeding bottles; vaporizers for medical purposes; hot air vibrators for medical purposes; vibromassage apparatus; gastroscopes; haemocytometers; lice combs; surgical sponges; defibrillators; dialyzers;

containers especially made for medical waste; clips, surgical; mirrors for dentists; mirrors for surgeons; probes for medical purposes; urethral probes; artificial teeth; acupuncture needles; suture needles; needles for medical purposes; orthopedic articles; biodegradable bone fixation implants; surgical implants comprised of artificial materials; inhalers; hydrogen inhalers; injectors for medical purposes; incubators for medical purposes; incubators for babies; obstetric apparatus; obstetric apparatus for cattle; electric acupuncture instruments; surgical cutlery; insufflators; endoscopy cameras for medical purposes; cannulae; droppers for medical purposes; dropper bottles for medical purposes; heart pacemakers; tonometers; catheters; catgut; draw-sheets for sick beds; enema apparatus for medical purposes; artificial skin for surgical purposes; menstrual cups; teething rings; anti-rheumatism rings; compressors [surgical]; thermo-electric compresses [surgery]; abdominal corsets; corsets for medical purposes; crutches; dentists' armchairs; armchairs for medical or dental purposes; beds specially made for medical purposes; feeding bottle valves; love dolls [sex dolls]; lasers for medical purposes; lamps for medical purposes; quartz lamps for medical purposes; ultraviolet ray lamps for medical purposes; lancets; lenses [intraocular prostheses] for surgical implantation; spoons for administering medicine; masks for use by medical personnel; respiratory masks for artificial respiration; anaesthetic masks; suture materials; childbirth mattresses; air mattresses for medical purposes; air beds for medical purposes; waterbeds for medical purposes; water bags for medical purposes; douche bags; breast pumps; body fat monitors; body composition monitors; urinals being vessels; portable hand-held urinals; teeth protectors for dental purposes; temperature indicator labels for medical purposes; knee bandages, orthopaedic; tips for crutches; fingers-talls for medical purposes; medical guidewires; pumps for medical purposes; thread, surgical; knives for surgical purposes; scissors for surgery; ambulance stretchers; stretchers, wheeled; boots for medical purposes; orthopaedic footwear; clothing especially for operating rooms; compression garments; blankets, electric, for medical purposes; supports for flat feet; keratometers; ophthalmoscopes; cooling pads for first aid purposes; slings [support bandages]; gloves for massage; gloves for medical purposes; pessaries; saws for surgical purposes; ear picks; cooling patches for medical purposes; spittoons for medical purposes; plaster bandages for orthopaedic purposes; orthopaedic bandages for joints; support bandages; abdominal pads; cushions for medical purposes; pads for preventing pressure sores on patient bodies; air pillows for medical purposes; soporific pillows for insomnia; heating cushions, electric, for medical purposes; abdominal belts; galvanic belts for medical purposes; hypogastric belts; belts for medical purposes; orthopaedic belts; umbilical belts; belts, electric, for medical purposes;

condoms; aerosol dispensers for medical purposes; sphygmotensimeters; pulse meters; esthetic massage apparatus; massage apparatus; veterinary apparatus and instruments; medical apparatus and instruments; urological apparatus and instruments; orthodontic appliances; brushes for cleaning body cavities; patient hoists; appliances for washing body cavities; corn knives; incontinence sheets; sterile sheets, surgical; surgical drapes; artificial eyes; artificial breasts; dentures; artificial limbs; artificial jaws; ice bags for medical purposes; toe separators for orthopaedic purposes; surgical bougies; orthodontic rubber bands; X-ray photographs for medical purposes; respirators for artificial respiration; surgical robots; strait jackets; sex toys; scalpels; tongue scrapers; dummies for babies; feeding bottle teats; baby feeding dummies; receptacles for applying medicines; spirometers [medical apparatus]; vaginal syringes; implantable subcutaneous drug delivery devices; hearing protectors; contraceptives, non-chemical; orthopaedic soles; stents; stethoscopes; operating tables; commode chairs; basins for medical purposes; bed pans; instrument cases for use by doctors; arch supports for footwear; ear plugs [hearing protection devices]; thermal packs for first aid purposes; thermometers for medical purposes; tomographs for medical purposes; trocars; walking sticks for medical purposes; drainage tubes for medical purposes; X-ray tubes for medical purposes; radium tubes for medical purposes; balling guns; protection devices against X-rays, for medical purposes; apparatus for acne treatment; filters for ultraviolet rays, for medical purposes; wheeled walkers to aid mobility; walking frames for disabled persons; cases fitted for medical instruments; elastic stockings for surgical purposes; stockings for varices; splints, surgical; tongue depressors for medical purposes; syringes for injections; syringes for medical purposes; hypodermic syringes; uterine syringes; urethral syringes; pins for artificial teeth; obstetrical forceps; castrating pincers; radiology screens for medical purposes; electrodes for medical use; electrocardiographs; brain pacemakers; air cushions for medical purposes; hair prostheses; ear trumpets; quad canes for medical purposes; walking aids for medical purposes.

11 – Lampshades; steam accumulators; heat accumulators; defrosters for vehicles; disinfectant apparatus for medical purposes; distillation apparatus; desiccating apparatus; hydromassage bath apparatus; disinfectant apparatus; air deodorizing apparatus; tanning beds; ionization apparatus for the treatment of air or water; coffee roasters; beverage cooling apparatus; hand drying apparatus for washrooms; fruit roasters; water purifying apparatus and machines; refrigerating apparatus and machines; drying apparatus and installations; freezers; heating and cooling apparatus for dispensing hot and cold beverages; drying apparatus; structural framework for ovens; coolers for furnaces; expansion tanks for central heating installations; flushing tanks; refining towers for distillation; bidets; boi-



lers, other than parts of machines; bath tubs; spa baths [vessels]; bath tubs for sitz baths; waffle irons, electric; fans [air-conditioning]; fans [parts of air-conditioning installations]; electric fans for personal use; roasting spits; refrigerating display cabinets; heated display cabinets; water heaters; water flushing installations; air reheaters; extractor hoods for kitchens; gas condensers, other than parts of machines; acetylene generators; microbubble generators for baths; hydrants; fairy lights for festive decoration; burners; acetylene burners; gas burners; burners for lamps; germicidal burners; incandescent burners; oxyhydrogen burners; laboratory burners; oil burners; alcohol burners; hot water bottles; footwarmers, electric or non-electric; bed warmers; pocket warmers; warming pans; roasting apparatus; lampshade holders; stills; showers; refrigerating containers; gas lighters; grill lighters; candle lighters; friction lighters for igniting gas; chimney blowers; coils [parts of distilling, heating or cooling installations]; furnace ash boxes; evaporators; shower cubicles; Turkish bath cabinets, portable; heating apparatus; cool boxes, electric; refrigerating chambers; fireplaces, domestic; chimney flues; air valves for steam heating installations; level controlling valves in tanks; thermostatic valves [parts of heating installations]; electrically heated carpets; light bulbs; light bulbs, electric; solar thermal collectors [heating]; distillation columns; furnace grates; ventilation hoods; ventilation hoods for laboratories; lamp globes; air-conditioning apparatus; air conditioners for vehicles; gas boilers; laundry room boilers; heating boilers; coffee machines, electric; taps for pipes and pipelines; taps; mixer taps for water pipes; forges, portable; lava rocks for use in barbecue grills; lights, electric, for Christmas trees; acetylene flares; safety lamps; gas lamps; curling lamps; nail lamps; germicidal lamps for purifying air; light bulbs for directional signals for vehicles; arc lamps; laboratory lamps; oil lamps; ultraviolet ray lamps, not for medical purposes; miners' lamps; electric lamps; chandeliers; barbecues; bread baking machines; watering machines for agricultural purposes; ice-cream making machines; pounded rice cake making machines, electric, for household purposes; multicookers; footmuffs, electrically heated; heaters for baths; heaters for heating irons; immersion heaters; brackets for gas burners; anti-splash tap nozzles; heat pumps; filaments for electric lamps; magnesium filaments for lighting; heating filaments, electric; luminous house numbers; socks, electrically heated; heating apparatus for defrosting vehicle windows; hot air bath fittings; bath fittings; loading apparatus for furnaces; kiln furniture [supports]; sauna bath installations; refrigerating appliances and installations; directional lights for bicycles; electrically heated clothing; blankets, electric, not for medical purposes; fabric steamers; lamp reflectors; vehicle reflectors; hearths; electric cooktops; food steamers, electric; steam boilers, other than parts of machines; pasteurisers; lamp mantles; sockets for el-

ectric lights; coffee percolators, electric; stoves [heating apparatus]; bakers' ovens; hot air ovens; kitchen ranges [ovens]; microwave ovens [cooking apparatus]; microwave ovens for industrial purposes; incinerators; kilns; solar furnaces; dental ovens; furnaces, other than for laboratory use; urinals being sanitary fixtures; feeding apparatus for heating boilers; heating plates; cooking stoves; hot plates; wine cellars, electric; heaters, electric, for feeding bottles; aquarium heaters; aquarium lights; heating cushions, electric, not for medical purposes; clean chambers [sanitary installations]; tortilla presses, electric; water intake apparatus; deodorizing apparatus, not for personal use; apparatus for dehydrating food waste; fumigation apparatus, not for medical purposes; gas scrubbing apparatus; oil-scrubbing apparatus; glue-heating appliances; drying apparatus for fodder and forage; water filtering apparatus; air purifying apparatus and machines; ice machines and apparatus; cooling appliances and installations; cooking apparatus and installations; lighting apparatus and installations; sanitary apparatus and installations; cooking rings; lighting apparatus for vehicles; light-emitting diodes [LED] lighting apparatus; heating apparatus for solid, liquid or gaseous fuels; heating apparatus, electric; hot air apparatus; steam facial apparatus [saunas]; safety accessories for water or gas apparatus and pipes; regulating and safety accessories for gas apparatus; regulating accessories for water or gas apparatus and pipes; regulating and safety accessories for water apparatus; regulating and safety accessories for gas pipes; anti-glare devices for vehicles [lamp fittings]; roasting jacks; plate warmers; electric appliances for making yogurt; rotisseries; radiator caps; searchlights; diving lights; washers for water taps; heat guns; radiators [heating]; central heating radiators; radiators, electric; sinks; disinfectant apparatus for dispensing solutions into water-pipes for sanitary installations; drip irrigation emitters [irrigation fittings]; light diffusers; nuclear reactors; heat regenerators; pressure water tanks; roasters; lamps; standard lamps; ceiling lights; toilet seats; lighting installations for air vehicles; autoclaves, electric, for cooking; pressure cookers, electric; gas scrubbers [parts of gas installations]; lamp glasses; sterilizers; water sterilizers; air sterilizers; air dryers; laundry dryers, electric; hair dryers; malt roasters; tobacco roasters; heat exchangers, other than parts of machines; bread toasters; discharge tubes, electric, for lighting; lamp chimneys; luminous tubes for lighting; pipes [parts of sanitary installations]; flues for heating boilers; boiler pipes [tubes] for heating installations; toilets [water-closets]; toilets, portable; humidifiers for central heating radiators; wash-hand basins [parts of sanitary installations]; toilet bowls; water conduits installations; bath installations; air-conditioning installations; desalination plants; installations for processing nuclear fuel and nuclear moderating material; watering installations, automatic; cooling installations for water; cooling installations for liquids; milk coo-

ling installations; cooling installations for tobacco; water purification installations; purification installations for sewage; steam generating installations; water distribution installations; air filtering installations; swimming pool chlorinating apparatus; ventilation [air-conditioning] installations and apparatus; ventilation [air-conditioning] installations for vehicles; water softening apparatus and installations; cooling installations and machines; heating installations; heaters for vehicles; heating installations [water]; polymerisation installations; water supply installations; flare stacks for use in the oil industry; ash conveyor installations, automatic; whirlpool-jet apparatus; air cooling apparatus; aquarium filtration apparatus; cooking utensils, electric; flaming torches; headlights for automobiles; vehicle headlights; filters for air conditioning; filters for drinking water; wicks for oil stoves; lights for automobiles; bicycle lights; motorcycle lights; lights for vehicles; electric torches; head torches; lanterns for lighting; candle lanterns; Chinese lanterns; fountains; ornamental fountains; chocolate fountains, electric; air fryers; deep fryers, electric; fittings, shaped, for furnaces; oven fittings made of fireclay; bread-making machines; refrigerators; chromatography apparatus for industrial purposes; kettles, electric; dampers [heating]; book sterilization apparatus; refrigerating cabinets; carbon for arc lamps; heating elements.

12 – Motor buses; motor coaches; camping cars; driverless cars [autonomous cars]; motor racing cars; vehicles for various purposes for transportation; robotic cars; sports cars; concrete mixing vehicles; refrigerated vehicles; caravans; shock absorbers for automobiles; suspension shock absorbers for vehicles; space vehicles; aircraft; aeronautical apparatus, machines and appliances; air cushion vehicles; hot air balloons; ski carriers for cars; luggage carriers for vehicles; bumpers for automobiles; vehicle bumpers; tyres for vehicle wheels; barges; brake shoes for vehicles; tail-board lifts [parts of land vehicles]; armored vehicles; buffers for railway rolling stock; mine cars; tilt trucks; railway carriages; sleeping cars; dining carriages; refrigerated railway wagons; transmission shafts for land vehicles; bicycles; electric bicycles; valves for vehicle tyres; automobile hoods; pushchair hoods; hoods for vehicles; oars; paddles for canoes; sculls; screws [propellers] for ships; lug nuts for vehicle wheels; seaplanes; flanges for railway wheel tyres; goods vehicles; horns for vehicles; treads for vehicles [tractor type]; doors for vehicles; bicycle motors; motorcycle engines; engines for land vehicles; jet engines for land vehicles; driving motors for land vehicles; screw-propellers; screw-propellers for boats; airships; brake discs for vehicles; telfer railways [cable cars]; dredgers [boats]; handcars; military drones; civilian drones; camera drones; clips adapted for fastening automobile parts to automobile bodies; adhesive rubber patches for repairing inner tubes; bicycle bells; rearview mirrors; side view mirrors for vehicles; portholes; cars for cable transport installations; inner tubes for pneumatic

tyres; inner tubes for bicycle tyres; canoes; hoods for vehicle engines; crankcases for land vehicle components, other than for engines; boats; caissons [vehicles]; bicycle wheels; vehicle wheels; mine cart wheels; steering wheels for vehicles; casters for trolleys [vehicles]; brake pads for automobiles; hub caps; prams; side cars; brake linings for vehicles; ships; baskets adapted for bicycles; gear boxes for land vehicles; ship hulls; panniers adapted for bicycles; panniers adapted for motorcycles; fenders for ships; bands for wheel hubs; ejector seats for aircraft; wheelchairs; caps for vehicle fuel tanks; boat hooks; automobile bodies; tipping bodies for lorries; bodies for vehicles; treads for retreading tyres; locomotives; masts for boats; golf carts [vehicles]; sprinkling trucks; propulsion mechanisms for land vehicles; mopeds; motor scooters; motorcycles; rubbish trucks; tyre mousse inserts; fitted footmuffs for pushchairs; fitted footmuffs for prams; freewheels for land vehicles; clutches for land vehicles; repair outfits for inner tubes; air pumps [vehicle accessories]; pumps for bicycle tyres; upholstery for vehicles; rims for bicycle wheels; vehicle wheel rims; windows for vehicles; omnibuses; engine mounts for land vehicles; axles for vehicles; headlight wipers; parachutes; ferry boats; bicycle pedals; ashtrays for automobiles; gearing for land vehicles; carts; head-rests for vehicle seats; bicycle kickstands; vehicle running boards; air bags [safety devices for automobiles]; ski lifts; chairlifts; casings for pneumatic tires; sleeping berths for vehicles; pontoons; torque converters for land vehicles; cigar lighters for automobiles; non-skid devices for vehicle tyres; anti-glare devices for vehicles; anti-theft devices for vehicles; sun-blinds adapted for automobiles; trailers for transporting bicycles; bicycle trailers; balance weights for vehicle wheels; shock absorbing springs for vehicles; bicycle frames; motorcycle frames; spars for ships; reduction gears for land vehicles; safety belts for vehicle seats; security harness for vehicle seats; vehicle suspension springs; rudders; bicycle handlebars; motorcycle handlebars; vehicle joysticks; bicycle cranks; aeroplanes; amphibious airplanes; sleighs [vehicles]; rescue sleds; kick sledges; brake segments for vehicles; bicycle saddles; motorcycle saddles; luggage nets for vehicles; dress guards for bicycles; fitted pushchair mosquito nets; anti-theft alarms for vehicles; reversing alarms for vehicles; safety seats for children, for vehicles; vehicle seats; bellows for articulated buses; hydraulic circuits for vehicles; mobility scooters; snowmobiles; rolling stock for railways; rolling stock for funicular railways; spokes for bicycle wheels; vehicle wheel spokes; spoilers for vehicles; air vehicles; vehicles for locomotion by land, air, water or rail; ambulances; autonomous underwater vehicles for seabed inspections; water vehicles; remotely operated vehicles for underwater inspections; remote control vehicles, other than toys; electric vehicles; tricycles; delivery tricycles; inclined ways for boats; windscreens; windshield wi-

pers; motorcycle kickstands; hubs for bicycle wheels; hubs for vehicle wheels; bags adapted for strollers; saddlebags adapted for bicycles; railway couplings; trailer hitches for vehicles; couplings for land vehicles; wheelbarrows; handling carts; two-wheeled trolleys; shopping trolleys; fishing trolleys; hose carts; bogies for railway cars; casting carriages; tilting-carts; roll cage trolleys; forklift trucks; cleaning trolleys; bicycle brakes; brakes for vehicles; torsion bars for vehicles; tractors; tramcars; transmission mechanisms for land vehicles; military vehicles for transport; aerial conveyors; trailers [vehicles]; funnels for ships; funnels for locomotives; cleats [nautical]; turbines for land vehicles; direction indicators for vehicles; rowlocks; disengaging gear for boats; steering gears for ships; cable transport apparatus and installations; spoke clips for wheels; tipping apparatus [parts of railway wagons]; funiculars; vans [vehicles]; drive chains for land vehicles; bicycle chains; motorcycle chains; anti-skid chains; transmission chains for land vehicles; undercarriages for vehicles; pram covers; spare wheel covers; covers for vehicle steering wheels; saddle covers for bicycles; saddle covers for motorcycles; seat covers for vehicles; vehicle covers [shaped]; automobile chassis; vehicle chassis; connecting rods for land vehicles, other than parts of motors and engines; axle journals; gears for bicycles; tubeless tyres for bicycles; bicycle tyres; automobile tyres; pneumatic tyres; solid tires for vehicle wheels; spikes for tyres; davits for boats; launches; timbers [frames] for ships; mudguards; bicycle mudguards; tow trucks; motors, electric, for land vehicles; yachts.

13 – Acetyl-nitrocellulose; ammunition; ammunition for firearms; explosives; ammonium nitrate explosives; pyrophoric substances; primings [fuses]; fuses for explosives, for use in mines; cartridge cases; noise-suppressors for guns; hand grenades; detonators; dynamite; lead shot for hunting; sighting mirrors for guns and rifles; breeches of firearms; detonating caps, other than toys; rifles; hammers for guns and rifles; gun carriages [artillery]; automatic firearm ammunition belts; gunstocks; mortars [firearms]; mines [explosives]; Bengal lights; firing platforms; artillery guns [cannons]; motorized weapons; firearms; hunting firearms; side arms [firearms]; tear-gas weapons; cartridge pouches; cartridges; explosive cartridges; firecrackers; guncotton; pistols [arms]; air pistols [weapons]; flare pistols; explosive powders; gunpowder; powder horns; shoulder straps for weapons; sights, other than telescopic sights, for artillery; sights, other than telescopic sights, for firearms; machine guns; cannons; rocket launchers; signal rocket flares; revolvers; belts adapted for ammunition; guns [weapons]; harpoon guns [weapons]; detonating plugs; fog signals, explosive; rescue flares, explosive or pyrotechnic; trigger guards for guns and rifles; projectiles [weapons]; shells [projectiles]; ballistic weapons; rockets [projectiles]; sprays for personal defence purposes; pyrotechnic products; rifle barrels; tanks [weapons]; torpedo-

es; cartridge loading apparatus; apparatus for filling cartridge belts; fireworks; fuses for explosives; trunnions for heavy weapons; rifle cases; detonating fuses for explosives; cleaning brushes for firearms.

14 – Agates; diamonds; amulets [jewellery]; anchors [clock- and watchmaking]; barrels [clock- and watchmaking]; bracelets [jewellery]; bracelets made of embroidered textile [jewellery]; watch bands; charms for key rings; jewellery charms; brooches [jewellery]; alarm clocks; pins [jewellery]; ornamental pins; tie pins; beads for making jewellery; pearls made of ambroid [pressed amber]; busts of precious metal; jewellery rolls; jet, unwrought or semi-wrought; jewellery findings; key rings [split rings with trinket or decorative fob]; pearls [jewellery]; copper tokens; tie clips; cuff links; clasps for jewellery; badges of precious metal; gold, unwrought or beaten; cloisonné jewellery; works of art of precious metal; jewellery; ivory jewellery; jewellery of yellow amber; iridium; cabochons; precious stones; semi-precious stones; spun silver [silver wire]; necklaces [jewellery]; split rings of precious metal for keys; rings [jewellery]; boxes of precious metal; presentation boxes for jewellery; watch cases [parts of watches]; clock cases; pendulums [clock- and watchmaking]; medals; locket [jewellery]; precious metals, unwrought or semi-wrought; movements for clocks and watches; clockworks; misbaha [prayer beads]; coins; gold thread [jewellery]; threads of precious metal [jewellery]; silver thread [jewellery]; olivine [gems]; osmium; palladium; platinum [metal]; chronometric instruments; watch springs; crucifixes of precious metal, other than jewellery; crucifixes as jewellery; rhodium; ruthenium; stopwatches; silver, unwrought or beaten; earrings; ingots of precious metals; alloys of precious metal; statues of precious metal; figurines of precious metal; watch glasses; paste jewellery; watch hands; clock hands; ornaments of jet; shoe jewellery; hat jewellery; presentation boxes for watches; chronographs [watches]; chronometers; chronoscopes; chains [jewellery]; watch chains; dials [clock- and watchmaking]; atomic clocks; watches; sundials; clocks and watches, electric; control clocks [master clocks]; clocks; wristwatches; rosaries; jewellery boxes; spinel [precious stones].

16 – Fountain pens; aquarelles; albums; almanacs; document laminators for office use; mimeograph apparatus and machines; atlases; posters; banknotes; banners of paper; paper bows, other than haberdashery or hair decorations; table linen of paper; tickets; forms, printed; announcement cards [stationery]; note books; pads [stationery]; drawing pads; spiral notebooks; wristbands for the retention of writing instruments; pamphlets; booklets; paper sheets [stationery]; waxed paper; paper for medical examination tables; paper for recording machines; paper for radiograms; papers for painting and calligraphy; electrocardiograph paper; drawer liners of paper, perfumed or not; wood pulp

paper; carbon paper; copying paper [stationery]; parchment paper; writing paper; rice paper; luminous paper; toilet paper; wrapping paper; filter paper; wash; paper; blotters; newsletters; rollers for typewriters; house painters' rollers; composing sticks; modelling wax, not for dental purposes; signboards of paper or cardboard; sewing patterns; bunting of paper; newspapers; electrotypes; hectographs; modelling clay; polymer modelling clay; terrestrial globes; drawing sets; engravings; slate pencils; pencil leads; document holders [stationery]; pencil holders; chalk holders; holders for cheque books; holders for stamps [seals]; page holders; name badge holders [office requisites]; diagrams; table runners of paper; engraving plates; writing slates; blackboards; galley racks [printing]; drawing boards; advertisement boards of paper or cardboard; duplicators; punches [office requisites]; cream containers of paper; magazines [periodicals]; money clips; clips for name badge holders [office requisites]; tags for index cards; pen clips; bookmarks; etching needles; tracing needles for drawing purposes; periodicals; printed publications; paper shredders for office use; graphic representations; credit card im printers, non-electric; graining combs; drawing instruments; calendars; tracing paper; tracing cloth; tracing patterns; gums [adhesives] for stationery or household purposes; lithographic stones; ink stones [ink reservoirs]; pencils; pencil lead holders; charcoal pencils; pictures; transfers [decalcomanias]; paintings [pictures], framed or unframed; wood pulp board [stationery]; cardboard; hat boxes of cardboard; cards; index cards [stationery]; geographical maps; paper tapes and cards for the recordal of computer programmes; trading cards, other than for games; perforated cards for Jacquard looms; catalogues; spools for inking ribbons; flower-pot covers of paper; paintbrushes; painters' brushes; writing brushes; typewriter keys; glue for stationery or household purposes; isinglass for stationery or household purposes; gluten [glue] for stationery or household purposes; starch paste [adhesive] for stationery or household purposes; printing blocks; books; manifolds [stationery]; comic books; drawing pins; cigar bands; envelopes [stationery]; boxes of paper or cardboard; cases for stamps [seals]; paint boxes for use in schools; correcting fluids [office requisites]; printed coupons; stencils [stationery]; French curves; paper ribbons, other than haberdashery or hair decorations; typewriter ribbons; adhesive tapes for stationery or household purposes; correcting tapes [office requisites]; inking ribbons; self-adhesive tapes for stationery or household purposes; square rulers for drawing; drawing rulers; flyers; absorbent sheets of paper or plastic for foodstuff packaging; humidity control sheets of paper or plastic for foodstuff packaging; viscose sheets for wrapping; sheets of reclaimed cellulose for wrapping; plastic bubble packs for wrapping or packaging; steel letters; type [numerals and letters]; lithographs; letter trays; paint trays; architects' models; postage stamps; plastics for modelling; graphic

prints; modelling materials; teaching materials [except apparatus]; sealing compounds for stationery purposes; adhesives [glues] for stationery or household purposes; padding materials of paper or cardboard; bookbinding material; packing [cushioning, stuffing] materials of paper or cardboard; packaging material made of starches; filtering materials of paper; tablemats of paper; addressing machines; pencil sharpening machines, electric or non-electric; bookbinding apparatus and machines [office equipment]; typewriters, electric or non-electric; paper creasers [office requisites]; franking machines for office use; chalk for lithography; writing chalk; tailors' chalk; marking chalk; spray chalk; bags [envelopes, pouches] of paper or plastics, for packaging; garbage bags of paper or of plastics; plastic bags for pet waste disposal; painters' easels; hand-rests for painters; printing sets, portable [office requisites]; bibs of paper; bibs, sleeved, of paper; stickers [stationery]; fingerstalls being office requisites; writing cases [stationery]; cords for bookbinding; paper knives [letter openers]; printed sheet music; numbering apparatus; bottle envelopes of paper or cardboard; sealing wafers; covers [stationery]; passport holders; plastic cling film, extensible, for palletization; embroidery designs [patterns]; handwriting specimens for copying; oleographs; musical greeting cards; greeting cards; postcards; etchings; conical paper bags; paper bags for use in the sterilization of medical instruments; bags for microwave cooking; palettes for painters; ink sticks; pantographs [drawing instruments]; files [office requisites]; folders for papers; papier mâché; pastels [crayons]; modelling paste; pen cases; pen wipers; office perforators; pens [office requisites]; nibs of gold; nibs; steel pens; drawing pens; song books; seals [stamps]; sealing stamps; clipboards; address plates for addressing machines; handkerchiefs of paper; plastic film for wrapping; desk mats; trays for sorting and counting money; coasters of paper; bookends; stamp stands; mats of paper for beer glasses; stands for pens and pencils; photograph stands; obliterating stamps; inking pads; stamp pads; binding strips [bookbinding]; towels of paper; inking sheets for document reproducing machines; inking sheets for duplicators; cloth for bookbinding; gummed cloth for stationery purposes; printers' blankets, not of textile; portraits; paperweights; writing cases [sets]; inkstands; office requisites, except furniture; writing materials; writing instruments; drawing materials; school supplies [stationery]; adhesive tape dispensers [office requisites]; hand labelling appliances; printed matter; lithographic works of art; prospectuses; printed timetables; ledgers [books]; printers' galleys; indexes; paper cutters [office requisites]; rubber erasers; elastic bands for offices; T-squares for drawing; graphic reproductions; retractable reels for name badge holders [office requisites]; penholders; marking pens [stationery]; tissues of paper for removing make-up; dental tray covers of paper; place mats of paper; tablecloths of paper; paper

clasps; document files [stationery]; scrapers [erasers] for offices; paper-clips; clips for offices; erasing products; biological samples for use in microscopy [teaching materials]; histological sections for teaching purposes; steatite [tailor's chalk]; writing board erasers; composing frames [printing]; sealing wax; arithmetical tables; placards of paper or cardboard; writing or drawing books; fabrics for bookbinding; stationery; pencil sharpeners, electric or non-electric; transparencies [stationery]; stencil plates; cardboard tubes; Indian inks; moisteners [office requisites]; moisteners for gummed surfaces [office requisites]; squares for drawing; chart pointers, non-electronic; bottle wrappers of paper or cardboard; envelope sealing machines for offices; sealing machines for offices; vignetting apparatus; apparatus for mounting photographs; stapling presses [office requisites]; manuals [handbooks]; figurines of papier mâché; paper coffee filters; flags of paper; silver paper; moulds for modelling clays [artists' materials]; photo-engravings; photographs [printed]; stencil cases; canvas for painting; chromolithographs [chromos]; animation cels; compasses for drawing; numbers [type]; artists' watercolour saucers; correcting ink [heliography]; ink; inkwells; blueprints; stencils; erasing shields; balls for ballpoint pens; desktop cabinets for stationery [office requisites]; printing type; address stamps; stamps [seals]; shields [paper seals]; prints [engravings]; labels of paper or cardboard.

18 – Mountaineering sticks; slings for carrying infants; luggage tags; pocket wallets; saddlecloths for horses; business card cases; reins; reins for guiding children; sling bags for carrying infants; harness fittings; credit card cases [wallets]; parts of rubber for stirrups; chamois leather, other than for cleaning purposes; umbrellas; parasols; saddlery; frames for umbrellas or parasols; frames for bags [structural parts of bags]; card cases [notecases]; cases of leather or leatherboard; valves of leather; whips; imitation leather; leather, unworked or semi-worked; leatherboard; casings, of leather, for springs; umbrella rings; hat boxes of leather; boxes of leather or leatherboard; boxes of vulcanized fibre; purses; chain mesh purses; fastenings for saddles; butts [parts of hides]; saddle trees; bags [envelopes, pouches] of leather, for packaging; moleskin [imitation of leather]; travelling sets [leatherware]; knee-pads for horses; muzzles; halters; vanity cases, not fitted; furniture coverings of leather; clothing for pets; covers for animals; trimmings of leather for furniture; collars for animals; hiking sticks; conference folders; music cases; goldbeaters' skin; cat o' nine tails; leather leashes; pads for horse saddles; horseshoes; girths of leather; horse blankets; garment bags for travel; shoulder belts [straps] of leather; briefcases; traces [harness]; fur; randsels [Japanese school satchels]; haversacks; leather straps; straps for soldiers' equipment; harness straps; straps for skates; straps of leather [saddlery]; chin straps, of leather; stirrup leathers; umbrella handles; walking stick han-

dles; suitcase handles; grips for holding shopping bags; rucksacks; travelling bags; riding saddles; net bags for shopping; umbrella or parasol ribs; stirrups; bags for climbers; tool bags, empty; handbags; beach bags; saddlebags; compression cubes adapted for luggage; bags for sports; bags for campers; reusable shopping bags; wheeled shopping bags; school bags; bags; pouch baby carriers; travelling trunks; trunks [luggage]; nose bags [feed bags]; bridoons; umbrella sticks; walking stick seats; walking sticks; tefillin [phylacteries]; bits for animals [harness]; bridles [harness]; harness for animals; key cases; horse collars; suitcases; motorized suitcases; suitcases with wheels; valises; attaché cases; covers for horse saddles; umbrella covers; kid; curried skins; animal skins; cattle skins; leather cord; blinkers [harness]; labels of leather; game bags [hunting accessories].

20 – Picture frame brackets; bumper guards for cots, other than bed linen; reels, not of metal, non-mechanical, for flexible hoses; pulleys of plastics for blinds; bolts, not of metal; casks of wood for decanting wine; mooring buoys, not of metal; casks, not of metal; barrels, not of metal; identification bracelets, not of metal; sideboards; busts of wood, wax, plaster or plastic; costume stands; bolsters; fans for personal use, non-electric; work benches; vice benches [furniture]; valet stands; coatstands; coat hangers; shoulder poles [yokes]; screws, not of metal; display stands; showcases [furniture]; newspaper display stands; jewellery organizer displays; collars, not of metal, for fastening pipes; comb foundations for beehives; signboards of wood or plastics; loading gauge rods, not of metal, for railway wagons; nuts, not of metal; covers for clothing [wardrobe]; shoe pegs, not of metal; nesting boxes; coffins; doors for furniture; curtain holders, not of textile material; dowels, not of metal; divans; kennels for household pets; birdhouses; keyboards for hanging keys; display boards; plugs [dowels], not of metal; containers, not of metal, for liquid fuel; troughs, not of metal, for mixing mortar; oil drainage containers, not of metal; packaging containers of plastic; flower-stands [furniture]; curtain tie-backs; clips, not of metal, for cables and pipes; binding screws, not of metal, for cables; clips of plastic for sealing bags; rivets, not of metal; imitation tortoiseshell; locks, not of metal, for vehicles; locks, other than electric, not of metal; bead curtains for decoration; door bolts, not of metal; bottle closures, not of metal; closures, not of metal, for containers; latches, not of metal; mirrors [looking glasses]; hand-held mirrors [toilet mirrors]; bamboo, unworked or semi-worked; scratching posts for cats; animal claws; animal hooves; coral; meerscham; whalebone, unworked or semi-worked; stag antlers; tortoiseshell; shells; horn, unworked or semi-worked; animal horns; rattan; ivory, unworked or semi-worked; corozo; plaited straw, except matting; wickerwork; hampers [baskets] for the transport of items; works of art of wood, wax, plaster or plastic; cabinet work; reeds [plaiting materials]; settees; jerry-

cans, not of metal; curtain rods; index cabinets [furniture]; reels of wood for yarn, silk, cord; drain traps [valves] of plastic; water-pipe valves of plastic; valves, not of metal, other than parts of machines; staves of wood; plastic keys; plastic key cards, not encoded and not magnetic; mats for infant playpens; sleeping pads [mats or cushions]; saw horses; bed casters, not of metal; furniture casters, not of metal; brush mountings; chopping blocks [tables]; wind chimes [decoration]; door bells, not of metal, non-electric; bottle caps, not of metal; bassinets; tent pegs, not of metal; curtain rings; split rings, not of metal, for keys; chests of drawers; console tables; containers, not of metal [storage, transport]; floating containers, not of metal; lecterns; dog kennels; bakers' bread baskets; baskets, not of metal; Moses baskets; bottle casings of wood; tool boxes, not of metal, empty; taps, not of metal, for casks; armchairs; hairdressers' chairs; deck chairs; hospital beds; bedsteads of wood; air beds, not for medical purposes; beds; cots for babies; edgings of plastic for furniture; brackets, not of metal, for furniture; screw tops, not of metal, for bottles; table tops; sash fasteners, not of metal, for windows; coathooks, not of metal; curtain hooks; clothes hooks, not of metal; bag hangers, not of metal; beds for household pets; nesting boxes for household pets; ladders of wood or plastics; playpens for babies; tailors' dummies; air mattresses, not for medical purposes; camping mattresses; mattresses; hydrostatic beds, not for medical purposes; furniture; furniture of metal; inflatable furniture; office furniture; school furniture; mobiles [decoration]; door knockers, not of metal; curtain rails; legs for furniture; feet for furniture; house numbers, not of metal, non-luminous; cask hoops, not of metal; door stops, not of metal or rubber; window stops, not of metal or rubber; mouldings for picture frames; bed bases; furniture partitions of wood; free-standing partitions [furniture]; mother-of-pearl, unworked or semi-worked; mirror tiles; ambroid plates; novelty license plates of plastic; identity plates, not of metal; loading pallets, not of metal; handling pallets, not of metal; transport pallets, not of metal; head-rests [furniture]; trays, not of metal; stakes, not of metal, for plants or trees; trestles [furniture]; magazine racks; book rests [furniture]; stands for calculating machines; flower pot supports; plastic ramps for use with vehicles; reusable baby changing mats; pet cushions; pillows; cushions; head support cushions for babies; anti-roll cushions for babies; air cushions, not for medical purposes; air pillows, not for medical purposes; head positioning pillows for babies; removable covers for sinks; racks [furniture]; library shelves; shelves for file cabinets; furniture shelves; shelves for storage; wood ribbon; straw edgings; towel stands [furniture]; hat stands; bathtub grab bars, not of metal; cask stands, not of metal; inflatable publicity objects; counters [tables]; bedding, except linen; corks for bottles; corks; stoppers, not of glass, metal or rubber; sealing caps, not of metal; stair rods; standing desks; embroi-

dery frames; dispensers for dog waste bags, fixed, not of metal; tissue dispensers, fixed, not of metal; picture frames; sections of wood for beehives; crucifixes of wood, wax, plaster or plastic, other than jewellery; reservoirs, not of metal nor of masonry; fodder racks; curtain rollers; door handles, not of metal; knobs, not of metal; fishing baskets; writing desks; seats of metal; benches [furniture]; vats, not of metal; honeycombs; sofas; plugs, not of metal; statues of wood, wax, plaster or plastic; figurines of wood, wax, plaster or plastic; oyster shells; silvered glass [mirrors]; shelving units; ambroid bars; umbrella stands; gun racks; trolleys for computers [furniture]; dressing tables; washstands [furniture]; typing desks; drafting tables; massage tables; tables of metal; wall-mounted baby changing platforms; saw benches [furniture]; desks; tea trolleys; dinner wagons [furniture]; tables; steps [ladders], not of metal; steps [ladders], not of metal; chairs [seats]; high chairs for babies; shower chairs; chests, not of metal; placards of wood or plastics; stools; footstools; crates; trolleys [furniture]; straw plaits; mobile boarding stairs, not of metal, for passengers; straw mattresses; decorations of plastic for foodstuffs; beehives; door fasteners, not of metal; window fasteners, not of metal; funerary urns; winding spools, not of metal, non-mechanical, for flexible hoses; hand-held flagpoles, not of metal; door fittings, not of metal; coffin fittings, not of metal; bed fittings, not of metal; furniture fittings, not of metal; window fittings, not of metal; infant walkers; garment covers [storage]; stuffed animals; stuffed birds; hinges, not of metal; chaise longues; poles, not of metal; screens [furniture]; filing cabinets; medicine cabinets; dish cabinets; meat safes; bookcases; wardrobes; cupboards; shoe dowels, not of metal; bamboo curtains; indoor window blinds of paper; slatted indoor blinds; indoor window blinds of woven wood; indoor window blinds [furniture]; indoor window blinds of textile; screens for fireplaces [furniture]; labels of plastic; yellow amber; lockers [furniture]; chests for toys; tool chests, not of metal, empty; boxes of wood or plastic; letter boxes, not of metal or masonry; bottle racks.

21 – Autoclaves, non-electric, for cooking; indoor aquaria; wine aerators; buckets; cookie jars; candle jars [holders]; china ornaments; dishes; paper plates; vegetable dishes; saucers; goblets; boxes for sweets; bottles; demijohns; busts of porcelain, ceramic, earthenware or glass; vases; epergnes; fruit bowls; inflatable bath tubs for babies; bird baths; baby baths, portable; plungers for clearing blocked drains; waffle irons, non-electric; ice buckets; mop wringer buckets; buckets made of woven fabrics; whisks, non-electric, for household purposes; cooking skewers of metal; towel rails and rings; clothing stretchers; hair for brushes; horsehair for brush-making; birdcages; funnels; carpet beaters [hand instruments]; signboards of porcelain or glass; candle extinguishers; heads for electric toothbrushes; flower pots; chamber pots; gluepots; cruets; decanters; large-toothed combs for the

hair; combs for animals; tea cosies; abrasive sponges for scrubbing the skin; make-up sponges; sponges for household purposes; bath sponges; sponge holders; stands for portable baby baths; toothpick holders; soap holders; table napkin holders; holders for flowers and plants [flower arranging]; tea bag rests; shaving brush stands; toilet paper holders; soap dispensers; toilet paper dispensers; plug-in diffusers for mosquito repellents; ironing boards; cutting boards for the kitchen; bread boards; washing boards; crushers for kitchen use, non-electric; strainers for household purposes; smoke absorbers for household purposes; containers for household or kitchen use; kitchen containers; glass jars [carboys]; heat-insulated containers; heat-insulated containers for beverages; thermally insulated containers for food; glass flasks [containers]; closures for pot lids; chamois leather for cleaning; toothpicks; ceramics for household purposes; majolica; works of art of porcelain, ceramic, earthenware, terra-cotta or glass; brushes, except paint brushes; kitchen grinders, non-electric; cleaning instruments, hand-operated; cabarets [trays]; stew-pans; flower-pot covers, not of paper; shaving brushes; make-up brushes; basting brushes; cages for pets; baking mats; ladles for serving wine; polishing leather; hot pots, not electrically heated; glass bulbs [receptacles]; shoe trees; napkin rings; poultry rings; rings for birds; coin banks; piggy banks; bread baskets for household purposes; baskets for household purposes; waste paper baskets; feeding troughs; mangers for animals; lunch boxes; tea caddies; washtubs; earthenware saucepans; mess-tins; cauldrons; coffee percolators, non-electric; coffeepots, non-electric; coffee grinders, hand-operated; fused silica [semi-worked product], other than for building; beer mugs; tankards; rat traps; pot lids; aquarium hoods; butter-dish covers; dish covers; cheese-dish covers; buttonhooks; reusable ice cubes; jugs; perfume burners; watering cans; fly traps; insect traps; ice cream scoops; mixing spoons [kitchen utensils]; basting spoons [cooking utensils]; pie servers; cosmetic spatulas; spatulas for kitchen use; litter boxes for pets; butter dishes; material for brush-making; polishing materials for making shiny, except preparations, paper and stone; tablemats, not of paper or textile; noodle machines, hand-operated; lint removers, electric or non-electric; polishing apparatus and machines, for household purposes, non-electric; pepper mills, hand-operated; mills for household purposes, hand-operated; feather-dusters; brooms; isothermic bags; decorating bags for confectioners; bowls [basins]; mosaics of glass, not for building; saucepan scourers of metal; soap boxes; mouse traps; cooking pot sets; nozzles for watering cans; pouring spouts; cake decorating tips and tubes; nozzles for watering hose; fitted picnic baskets, including dishes; toilet cases; floss for dental purposes; fibreglass thread, other than for textile use; cookie [biscuit] cutters; pastry cutters; sprinklers; syringes for watering flowers and plants; cotton waste for cleaning; wool waste for clea-

ning; cleaning tow; cold packs for chilling food and beverages; chopsticks; cocktail stirrers; food steamers, non-electric; pepper pots; oven mitts; gloves for household purposes; car washing mitts; polishing gloves; gardening gloves; pestles for kitchen use; plates to prevent milk boiling over; dripping pans; trays for household purposes; trays of paper, for household purposes; lazy susans; heaters for feeding bottles, non-electric; candelabra [candlesticks]; trivets [table utensils]; coasters, not of paper or textile; grill supports; menu card holders; knife rests for the table; flat-iron stands; egg cups; abrasive pads for kitchen purposes; scouring pads; drinking troughs; serving ladles; powdered glass for decoration; pottery; pots; cooking pots, non-electric; painted glassware; tableware, other than knives, forks and spoons; porcelain ware; earthenware; crystal [glassware]; cosmetic utensils; cleaning utensils for toilets; trouser presses; tortilla presses, non-electric [kitchen utensils]; deodorizing apparatus for personal use; cruet sets for oil and vinegar; make-up removing appliances; spice sets; apparatus for wax-polishing, non-electric; bottle openers, electric and non-electric; glove stretchers; boot jacks; crumb trays; tie presses; potholders; clothespegs; glass stoppers; powder compacts; perfume vaporizers; powder puffs; dusting apparatus, non-electric; foam toe separators for use in pedicures; electric combs; combs; grills [cooking utensils]; sifters [household utensils]; drinking horns; shoe horns; candle drip rings; broom handles; salad bowls; place mats, not of paper or textile; sugar bowls; beaters, non-electric; egg separators, non-electric, for household purposes; services [dishes]; coffee services [tableware]; liqueur sets; tea services [tableware]; cooking mesh bags, other than for microwaves; sieves [household utensils]; cinder sifters [household utensils]; tea strainers; wine-tasting pipettes; siphon bottles for carbonated water; rolling pins, domestic; frying pans; steel wool for cleaning; currycombs; blenders, non-electric, for household purposes; scoops for household purposes; fruit presses, non-electric, for household purposes; straws for drinking; salt cellars; drinking vessels; vessels for making ices and ice cream, non electric; refrigerating bottles; bulb basters; cups of paper or plastic; glasses [receptacles]; drinking glasses; statues of porcelain, ceramic, earthenware, terra-cotta or glass; figurines of porcelain, ceramic, earthenware, terra-cotta or glass; glass for vehicle windows [semi-finished product]; plate glass [raw material]; opal glass; glass, unworked or semi-worked, except building glass; opaline glass; glass incorporating fine electrical conductors; enamelled glass, not for building; glass wool, other than for insulation; vitreous silica fibres, other than for textile use; fibreglass, other than for insulation or textile use; mortars for kitchen use; portable cool boxes, non-electric; soup tureens; drying racks for laundry; rotary washing lines; basins [receptacles]; table plates; disposable table plates; graters for kitchen use; insulating flasks; indoor terrariums

[plant cultivation]; indoor terrariums [vivariums]; cloth for washing floors; polishing cloths; cloths for cleaning; dusting cloths [rags]; furniture dusters; urns being vases; urns being planter pots for flowers and plants; atomizers for household purposes; wax-polishing appliances, non-electric, for shoes; water apparatus for cleaning teeth and gums; electric devices for attracting and killing insects; watering devices; utensils for household purposes; kitchen utensils; cooking utensils, non-electric; coffee filters, non-electric; flasks; hip flasks; drinking bottles for sports; moulds [kitchen utensils]; cake moulds; ice cube moulds; cookery moulds; deep fryers, non-electric; comb cases; bread bins; fly swatters; teapots; kettles, non-electric; cups; garlic presses [kitchen utensils]; ironing board covers, shaped; tea infusers; decorative glass spheres; mops; mop wringers; cocktail shakers; corkscrews, electric and non-electric; animal bristles [brushware]; pig bristles for brush-making; dishwashing brushes; ski wax brushes; brushes for cleaning tanks and containers; lamp-glass brushes; horse brushes; scrubbing brushes; toothbrushes; toothbrushes, electric; carpet sweepers; shoe brushes; tar-brushes, long handled; toilet brushes; electric brushes, except parts of machines; brushes; eyebrow brushes; nail brushes; eyelash brushes; nutcrackers; ice tongs; salad tongs; sugar tongs; decanter tags; nest eggs, artificial; boxes for dispensing paper towels; dustbins; window-boxes; boxes of glass.

22 – String; twine made of paper; packing string; tarpaulins; wadding for padding and stuffing upholstery; wadding for filtering; whipcord; packing rope; ropes; seaweed for stuffing; carbon fibres for textile use; esparto grass; coconut fibre; plastic fibres for textile use; ramie fibre; textile fibres; horsehair; hammocks; jute; wax ends; outdoor blinds of textile; ropes, not of metal; kapok; cocoons; raw linen [flax]; strips for tying-up vines; ladder tapes for Venetian blinds; wrapping or binding bands, not of metal; rope ladders; linters; liber; padding materials, not of rubber, plastics, paper or cardboard; packing [cushioning, stuffing] materials, not of rubber, plastics, paper or cardboard; bags [envelopes, pouches] of textile, for packing; sacks for the transport and storage of materials in bulk; body bags; mail bags; mesh bags for washing laundry; purse seines; twine for nets; binding thread, not of metal, for agricultural purposes; thread, not of metal, for wrapping or binding; braces, not of metal, for handling loads; bindings, not of metal; sawdust; straw wrappers for bottles; tow; cotton tow; silk flock; tents; sails; sails for ski sailing; canvas for sails; hemp fibres; brattice cloth; feathers for stuffing upholstery; feathers for bedding; animal hair; fibrous gaskets for ships; down [feathers]; eiderdown; raffia; straps, not of metal, for handling loads; hemp bands; fleece wool; net pens for fish farming; snares [nets]; nets for camouflage; fishing nets; nets; animal feeding nets; sisal; straw for stuffing upholstery; sheaf-binding yarns; vitreous silica fibres for textile use; glass fibres

for textile use; slings, not of metal, for handling loads; wood shavings; raw fibrous textile; awnings of synthetic materials; awnings of textile; network; grasses for upholstery; car towing ropes; cables, not of metal; cotton waste [flock] for padding and stuffing; schappe [raw silk waste]; wool flock; raw cotton; vehicle covers, not fitted; dust sheets; covers for camouflage; raw silk; carded wool; camel hair; flock [stuffing]; upholstery wool [stuffing]; wood wool; combed wool; raw or treated wool; shorn wool; cords for hanging pictures; sash cords; pig bristles.

23 – Thread of metal for embroidery; embroidery thread and yarn; jute thread and yarn; coir thread and yarn; rayon thread and yarn; threads of plastic materials for textile use; fibreglass thread for textile use; linen thread and yarn; hemp thread and yarn; rubber thread for textile use; cotton thread and yarn; sewing thread and yarn; silk thread and yarn; woollen thread and yarn; darning thread and yarn; elastic thread and yarn for textile use; yarn; spun thread and yarn; spun cotton; spun silk; spun wool; chenille yarn; leather threads.

24 – Frieze [cloth]; banners of textile or plastic; velvet; household linen; diapered linen; bath linen, except clothing; bed linen; table linen, not of paper; cot bumpers [bed linen]; buckram; fustian; sleeping bag liners; felt; bunting of textile or plastic; gauze [cloth]; damask; jersey [fabric]; table runners, not of paper; drugget; shower curtains of textile or plastic; curtains of textile or plastic; net curtains; zephyr [cloth]; canvas for tapestry or embroidery; bolting cloth; baby buntings; crepe [fabric]; crepon; marabouts [cloth]; furniture coverings of textile; fabrics for textile use; filtering materials of textile; wall hangings of textile; non-woven textile fabrics; plastic material [substitute for fabrics]; textile material; tablemats of textile; sleeping bags; sleeping bags for babies; moleskin [fabric]; muslin fabric; pillowcases; mattress covers; bed blankets; blankets for household pets; brocades; diaper changing cloths for babies; handkerchiefs of textile; travelling rugs [lap robes]; coasters of textile; bed valances; linings [textile]; hat linings, of textile, in the piece; curtain holders of textile material; bed covers; bed covers of paper; furniture coverings of plastic; towels of textile; hemp cloth; gummed cloth, other than for stationery purposes; printers' blankets of textile; cloth; door curtains; bedsheets; eiderdowns [down coverlets]; bath mitts; shrouds; glass cloths [towels]; cloths for removing make-up; face towels of textile; place mats of textile; table napkins of textile; mosquito nets; calico; oilcloth for use as tablecloths; tablecloths, not of paper; billiard cloth; taffeta [cloth]; ticks [mattress covers]; tick [linen]; lingerie fabric; fabric, impervious to gases, for aeronautical balloons; jute fabric; fabric for footwear; ramie fabric; esparto fabric; rayon fabric; fibreglass fabrics for textile use; adhesive fabric for application by heat; linen cloth; upholstery fabrics; hemp fabric; lining fabric for foot-



wear; traced cloths for embroidery; chenille fabric; printed calico cloth; knitted fabric; cotton fabrics; silk fabrics for printing patterns; woollen cloth; elastic woven fabrics; fabric; fabric imitating animal skins; haircloth [sackcloth]; cheese cloth; tulle; flags of textile or plastic; flannel [fabric]; trellis [cloth]; covers for cushions; fitted toilet lid covers of fabric; covers [loose] for furniture; pillow shams; cheviots [cloth]; silk [cloth]; labels of textile.

25 – Wimples; bandanas [neckerchiefs]; underwear; sweat-absorbent underwear; berets; overalls; boas [necklets]; teddies [underclothing]; boxer shorts; ankle boots; ski boots; boots for sports; breeches for wear; trousers; football shoes; brassieres; valenki [felted boots]; collars [clothing]; detachable collars; shirt yokes; veils [clothing]; gabardines [clothing]; galoshes; neckties; ascots; gaiters; footless socks; boot uppers; corselets; jerseys [clothing]; waistcoats; sports jerseys; hosiery; heels; hoods [clothing]; hat frames [skeletons]; pockets for clothing; scarves; kimonos; sun visors [headwear]; cap peaks; tights; slippers [underclothing]; combinations [clothing]; wet suits for water-skiing; bodices [lingerie]; corsets [underclothing]; suits; bathing suits; masquerade costumes; beach clothes; leotards; jackets [clothing]; stuff jackets [clothing]; fishing vests; leggings [trousers]; liveries; camisoles; sports singlets; cuffs; short-sleeve shirts; mantillas; coats; sleep masks; furs [clothing]; fingerless gloves; mitres [hats]; muffs [clothing]; footmuffs, not electrically heated; top lifts for shoes; bibs, not of paper; bibs, sleeved, not of paper; fur stoles; hairdressing capes; ear muffs [clothing]; socks; sweat-absorbent socks; beach shoes; sports shoes; footwear; paper clothing; outerclothing; ready-made clothing; motorists' clothing; cyclists' clothing; clothing for gymnastics; clothing of imitations of leather; clothing of leather; waterproof clothing; uniforms; clothing; fittings of metal for footwear; maniples; overcoats; knickers; parkas; pelerines; gloves [clothing]; ski gloves; pyjamas; bathing trunks; shirt fronts; pocket squares; dresses; headbands [clothing]; garters; sock suspenders; stocking suspenders; ready-made linings [parts of clothing]; dress shields; soles for footwear; braces [suspenders] for clothing; half-boots; lace boots; sweaters; ponchos; girdles; belts [clothing]; money belts [clothing]; layettes [clothing]; non-slipping devices for footwear; heelpieces for stockings; welts for footwear; chasubles; shirts; wooden shoes; sandals; bath sandals; boots; jumper dresses; saris; sarongs; footwear uppers; inner soles; albs; bath slippers; togas; knitwear [clothing]; underpants; gymnastic shoes; slippers; shoes; skull caps; turbans; headwear; aprons [clothing]; judo uniforms; karate uniforms; tee-shirts; dressing gowns; bath robes; top hats; tips for footwear; stockings; sweat-absorbent stockings; shawls; caps [headwear]; paper hats [clothing]; shower caps; bathing caps; studs for football shoes; hats; babies' pants [underwear]; gaiter straps; pelisses; esparto shoes or sandals; skirts; petticoats; skorts.

26 – Appliqués [haberdashery]; haberdashery bows; fringes; mica spangles; shoe eyelets; false beards; charms, other than for jewellery, key rings or key chains; brooches [clothing accessories]; entomological pins; pins, other than jewellery; beads, other than for making jewellery; wreaths of artificial flowers; artificial Christmas wreaths; artificial Christmas wreaths incorporating lights; false hair; human hair; lace for edgings; artificial garlands; artificial Christmas garlands; artificial Christmas garlands incorporating lights; darning lasts; expanding bands for holding sleeves; frills [lacework]; trouser clips for cyclists; hair grips; hair barrettes; heat adhesive patches for repairing textile articles; blouse fasteners; shoe fasteners; fastenings for clothing; fastenings for suspenders; belt clasps; hook and pile fastening tapes; zip fasteners; zippers for bags; badges for wear, not of precious metal; competitors' numbers; embroidery needles; needles for wool combing machines; binding needles; saddlers' needles; shoemakers' needles; sewing needles; darning needles; needles; boxes for needles; lace trimmings; embroidery; haberdashery [dressmakers' articles], except thread; decorative articles for the hair; heat adhesive patches for decoration of textile articles [haberdashery]; edgings for clothing; braids; gold embroidery; silver embroidery; bobbins for retaining embroidery floss or wool [not parts of machines]; tassels [haberdashery]; snap fasteners; sewing boxes; plaited hair; false hems; hooks [haberdashery]; crochet hooks; rug hooks; hooks for corsets; shoe hooks; haberdashery ribbons; ribbons for the hair; ribbons and bows, not of paper, for gift wrapping; prize ribbons; hatbands; elastic ribbons; letters for marking linen; numerals for marking linen; monogram tabs for marking linen; sewing kits; toupees; sewing thimbles; needle-threaders; skirt flounces; bows for the hair; spangles for clothing; hair curling papers; wigs; feathers [clothing accessories]; birds' feathers [clothing accessories]; ostrich feathers [clothing accessories]; eyelets for clothing; picot [lace]; corset busks; hair bands; brassards; tapes for curtain headings; shoulder pads for clothing; pin cushions; needle cushions; top-knots [pompoms]; hair curlers, electric and non-electric, other than hand implements; buckles [clothing accessories]; shoe buckles; buttons; ornamental novelty badges [buttons]; artificial plants, other than Christmas trees; rosettes [haberdashery]; frills for clothing; hair nets; chenille [passementerie]; knitting needles; cords for trimming; shoe trimmings; trimmings for clothing; hat trimmings; false moustaches; festoons [embroidery]; artificial fruit; needle cases; artificial flowers; shuttles for making fishing nets; hair colouring caps; bodkins; hair extensions; shoe laces; cords for clothing; woollen laces; hair pins; hair curling pins; collar supports.

27 – Artificial turf; yoga mats; floor mats, fire-resistant, for fireplaces and barbecues; carpets; decorative wall hangings, not of textile; carpets for automobiles;

bath mats; non-slip mats; linoleum; mats of woven rope for ski slopes; wallpaper; textile wallpaper; carpet underlay; gymnastic mats; vinyl floor coverings; floor coverings; door mats; mats; reed mats.

28 – Arcade video game machines; video game machines; gaming machines for gambling; amusement machines, automatic and coin-operated; toy vehicles; swimming pools [play articles]; trampolines; novelty toys for parties; scratch cards for playing lottery games; starting blocks for sports; bodyboards; skating boots with skates attached; dolls' feeding bottles; tricycles for infants [toys]; stationary exercise bicycles; creels [fishing traps]; shuttlecocks; spinning tops [toys]; dumb-bells; gyroscopes and flight stabilizers for model aircraft; jigsaw puzzles; clay pigeons [targets]; punching bags; bite sensors [fishing tackle]; hang gliders; joysticks for video games; flying discs [toys]; discs for sports; dolls' houses; dominoes; swimming kickboards; paddleboards; surfboards; spring boards [sports articles]; skateboards; sailboards; chessboards; draughtboards; drones [toys]; darts; Christmas trees of synthetic material; cups for dice; swimming jackets; ascenders [mountaineering equipment]; kites; needles for pumps for inflating balls for games; toys for pets; stuffed toys; plush toys; toy mobiles; novelty toys for playing jokes; toys; portable games and toys incorporating telecommunication functions; board games; table-top games; ring games; games; building games; toy imitation cosmetics; swimming pool air floats; kaleidoscopes; bladders of balls for games; rosin used by athletes; edges of skis; bingo cards; playing cards; fairground ride apparatus; reels for fishing; rocking horses; swings; skittles; skittles [games]; billiard cues; golf clubs; hockey sticks; baby gyms; seal skins [coverings for skis]; bells for Christmas trees; dolls' rooms; controllers for game consoles; controllers for toys; confetti; ice skates; roller skates; in-line roller skates; dice; paintball guns [sports apparatus]; ski bindings; dolls' beds; roulette wheels; fish hooks; building blocks [toys]; dolls; flippers for swimming; rhythmic gymnastics ribbons; fishing lines; gut for fishing; bows for archery; skis; waterskis; surf skis; mah-jong; toy models; hunting game cups; puppets; masks [playthings]; carnival masks; theatrical masks; fencing masks; toy putty; matryoshka dolls; masts for sailboards; ball pitching machines; teddy bears; chalk for billiard cues; targets; electronic targets; scale model kits [toys]; scale model vehicles; kite reels; balls for games; artificial fishing bait; billiard table cushions; knee guards [sports articles]; billiard cue tips; elbow guards [sports articles]; backgammon games; pumps specially adapted for use with balls for games; dolls' clothes; fencing weapons; twirling batons; paragliders; pachinkos; baseball gloves; boxing gloves; golf gloves; gloves for games; batting gloves [accessories for games]; fencing gauntlets; pinatas; toy pistols; toy air pistols; percussion caps [toys]; caps for pistols [toys]; toy dough; protective films adapted for screens for portable games; rattles [play-

things]; horseshoe games; candle holders for Christmas trees; Christmas tree stands; sole coverings for skis; water wings; floats for fishing; portable games with liquid crystal displays; swimming belts; decoys for hunting or fishing; scent lures for hunting or fishing; archery implements; soap bubbles [toys]; divot repair tools [golf accessories]; billiard markers; protective paddings [parts of sports suits]; rackets; surfboard leashes; harness for sailboards; weight lifting belts [sports articles]; toy robots; sling shots [sports articles]; rollers for stationary exercise bicycles; harpoon guns [sports articles]; plush toys with attached comfort blanket; scooters [toys]; sleds [sports articles]; bob-sleighs; butterfly nets; landing nets for anglers; nets for sports; tennis nets; bite indicators [fishing tackle]; slot machines [gaming machines]; appliances for gymnastics; quoits; bar-bells; climbers' harness; fishing tackle; artificial snow for Christmas trees; snowshoes; snowboards; remote-controlled toy vehicles; clay pigeon traps; billiard tables; coin-operated billiard tables; tables for table tennis; strings for rackets; gut for rackets; cricket bags; golf bags, with or without wheels; golf bag trolleys; slides [playthings]; body-building apparatus; machines for physical exercises; men's athletic supporters [sports articles]; rods for fishing; ornaments for Christmas trees, except illumination articles and confectionery; tennis ball throwing apparatus; conjuring apparatus; apparatus for games; bowling apparatus and machinery; toy figures; counters [discs] for games; chips for gambling; foosball tables; party poppers [party novelties]; Christmas crackers [party novelties]; bags especially designed for skis and surfboards; marbles for games; billiard balls; balls for playing bowls; play balloons; paintballs [ammunition for paintball guns] [sports apparatus]; snow globes; chess games; draughts [games]; poles for pole vaulting; paper party hats; shin guards [sports articles]; camouflage screens [sports articles]; chest expanders [exercisers].

29 – Ajvar being preserved peppers; aloe vera prepared for human consumption; alginates for culinary purposes; anchovy, not live; peanuts, prepared; artichokes, preserved; albumen for culinary purposes; white of eggs; beans, preserved; soya beans, preserved, for food; broth; ginger jam; ham; fatty substances for the manufacture of edible fats; laver, preserved; edible birds' nests; sea-cucumbers, not live; peas, preserved; mushrooms, preserved; guacamole; game, not live; gelatine; meat jellies; jellies for food; fruit jelly spreads; yolk of eggs; coconut fat; bone oil for food; lard; suet for food; edible fats; rennet; fruit-based snack food; milk substitutes; soya patties; tofu patties; charcuterie; cottage cheese fritters; raisins; caviar; aubergine paste; vegetable marrow paste; fish roe, prepared; yogurt; galbi being grilled meat dish; sauerkraut; kephir; kimchi [fermented vegetable dish]; isinglass for food; clams, not live; potato-based dumplings; klipfish [salted and dried cod]; milk shakes; black pudding; onion rings; arrangements of processed fruit;

compotes; meat, tinned; vegetables, tinned; fish, tinned; fruits, tinned; broth concentrates; corn dogs; gherkins; shrimps, not live; prawns, not live; buttercream; croquettes; silkworm chrysalis for human consumption; sweet corn, processed; koumiss; spiny lobsters, not live; lecithin for culinary purposes; salmon, not live; onions, preserved; margarine; marmalade; oils for food; peanut butter; cocoa butter for food; coconut oil for food; coconut butter; maize oil for food; sesame oil for food; linseed oil for food; extra virgin olive oil for food; olive oil for food; palm oil for food; palm kernel oil for food; sunflower oil for food; rape oil for food; butter; soya bean oil for food; mussels, not live; almonds, ground; animal marrow for food; molluscs, not live; milk; peanut milk; peanut milk for culinary purposes; coconut milk; coconut milk for culinary purposes; almond milk; almond milk for culinary purposes; oat milk; rice milk; rice milk for culinary purposes; albumin milk; condensed milk; soya milk; powdered milk; fish meal for human consumption; vegetable mousses; fish mousses; fruit pulp; meat; meat, preserved; freeze-dried meat; milk beverages, milk predominating; peanut milk-based beverages; coconut milk-based beverages; almond milk-based beverages; edible insects, not live; sausage casings, natural or artificial; vegetables, preserved; freeze-dried vegetables; vegetables, dried; vegetables, cooked; potato fritters; olives, preserved; lobsters, not live; flavoured nuts; candied nuts; coconut, desiccated; nuts, prepared; tomato paste; pressed fruit paste; liver pâté; pectin for culinary purposes; liver; pickles; jams; powdered eggs; milk products; fish-based foodstuffs; prostokvasha being soured milk; poultry, not live; bulgogi; pollen prepared as foodstuff; cranberry compote; tomato purée; apple purée; crayfish, not live; crustaceans, not live; fish, preserved; fish, not live; salted fish; ryazhenka being fermented baked milk; vegetable salads; fruit salads; bacon; sardines, not live; pork; herrings, not live; seeds, prepared; sunflower seeds, prepared; cream [dairy products]; whipped cream; vegetable-based cream; fat-containing mixtures for bread slices; smetana; lemon juice for culinary purposes; tomato juice for cooking; vegetable juices for cooking; salted meats; sausages; sausages in batter; hot dog sausages; preparations for making bouillon; preparations for making soup; nut-based spreads; tripe; soups; vegetable soup preparations; whey; cheese; tahini [sesame seed paste]; tofu; truffles, preserved; tuna, not live; oysters, not live; falafel; milk ferments for culinary purposes; fish fillets; dates; crystallized fruits; frozen fruits; fruit, preserved; fruit preserved in alcohol; fruit, stewed; hazelnuts, prepared; potato flakes; hummus [chickpea paste]; fruit peel; preserved garlic; lentils, preserved; potato crisps; low-fat potato crisps; fruit chips; non-alcoholic egg-nog; seaweed extracts for food; meat extracts; escamoles being prepared edible ant larvae; yuba being tofu skin; berries, preserved; snail eggs for consumption; eggs; yakitori.

30 – Vanilla flavourings for culinary purposes; flavourings, other than essential oils, for cakes; flavourings, other than essential oils, for beverages; coffee flavourings; food flavourings, other than essential oils; star aniseed; baozi [steamed stuffed buns]; cereal bars; high-protein cereal bars; pancakes; noodle-based prepared meals; freeze-dried dishes with the main ingredient being pasta; freeze-dried dishes with the main ingredient being rice; buns; bulgur; bread rolls; edible rice paper; edible paper; burritos; vanillin [vanilla substitute]; vareniki [stuffed dumplings]; waffles; vermicelli; natural sweeteners; sausage binding materials; binding agents for ice cream; seawater for cooking; seaweed [condiment]; malt biscuits; cloves [spice]; mirror icing [mirror glaze]; cake frosting [icing]; glucose for culinary purposes; mustard; croûtons; buckwheat, processed; gluten additives for culinary purposes; yeast; thickening agents for cooking foodstuffs; leaven; rice-based snack food; cereal-based snack food; coffee substitutes; vegetal preparations for use as coffee substitutes; dressings for salad; zephyr being confectionery; fruit jellies [confectionery]; candy decorations for cakes; confectionery for decorating Christmas trees; cakes; pastries; peanut confectionery; almond confectionery; pasta; ginger [spice]; frozen yogurt [confectionery ices]; cocoa; cream of tartar for culinary purposes; capers; caramels [sweets]; curry [spice]; ketchup [sauce]; gimbap [Korean rice dish]; kimchijeon [fermented vegetable pancakes]; quinoa, processed; quiches; gluten prepared as foodstuff; flour-based dumplings; sweets; liquorice [confectionery]; peppermint sweets; mints for breath freshening; dulce de leche; cinnamon [spice]; coffee; unroasted coffee; starch for food; crackers; custard; hominy grits; semolina; oatmeal; crushed barley; groats for human food; ice cubes; corn, milled; corn, roasted; meat pies; turmeric; couscous [semolina]; noodles; soba noodles; udon noodles; ice for refreshment; ice, natural or artificial; edible ices; lollipops [confectionery]; rice cakes; potato-based flatbreads; mayonnaise; macaroons [pastries]; macaroni; maltose; hominy; piccalilli; marinades; marzipan; honey; miso; royal jelly; ice cream; bean meal; buckwheat flour; tapioca flour; potato flour; corn flour; nut flours; flour; wheat flour; soya flour; barley meal; confectionery in the form of mousses; chocolate mousses; muesli; mint for confectionery; cocoa beverages with milk; coffee beverages with milk; coffee-based beverages; cocoa-based beverages; chamomile-based beverages; tea-based beverages; chocolate beverages with milk; chocolate-based beverages; infusions, not medicinal; crushed oats; husked oats; okonomiyaki [Japanese savory pancakes]; onigiri; nutmegs; chocolate-coated nuts; stick liquorice [confectionery]; pastila [confectionery]; lozenges [confectionery]; molasses for food; pâtés en croûte; pelmeni [dumplings stuffed with meat]; pepper; allspice; peppers [seasonings]; pesto; biscuits; petit-beurre biscuits; bibimbap [rice mixed with vegetables and beef]; pies; pizzas; meat gravies; fondants

[confectionery]; popcorn; powders for making ice cream; baking powder; mustard meal; pralines; aromatic preparations for food; condiments; meat tenderizers for household purposes; cereal preparations; oat-based food; propolis; gingerbread; spices; petits fours; rice pudding; puddings; cake powder; fruit coulis [sauces]; ravioli; ramen noodles; chewing gum for breath freshening; chewing gum; relish [condiment]; rice; instant rice; wheat germ for human consumption; spring rolls; sago; palm sugar; sugar; sesame seeds [seasonings]; linseed for culinary purposes [seasoning]; processed seeds for use as a seasoning; aniseed; agave syrup [natural sweetener]; golden syrup; candy bars; batter mixes for okonomiyaki [Japanese savory pancakes]; baking soda [bicarbonate of soda for cooking purposes]; malt for human consumption; salt for preserving foodstuffs; cooking salt; celery salt; sorbets [ices]; ham glaze; cranberry sauce [condiment]; soya sauce; tomato sauce; apple sauce [condiment]; sauces [condiments]; pasta sauce; spaghetti; seasonings; chocolate-based spreads; chocolate spreads containing nuts; preparations for stiffening whipped cream; shaved ice with sweetened red beans; rusks; breadcrumb; sushi; rice crackers; sandwiches; tabbouleh; tacos; tapioca; tarts; dough; pastry dough; almond paste; rice pulp for culinary purposes; cake batter; tortillas; garden herbs, preserved [seasonings]; chocolate decorations for cakes; vinegar; beer vinegar; ferments for pastes; halvah; unleavened bread; bread; chips [cereal products]; corn flakes; oat flakes; hot dog sandwiches; flowers or leaves for use as tea substitutes; jiaozi [stuffed dumplings]; chicory [coffee substitute]; tea; iced tea; chutneys [condiments]; minced garlic [condiment]; cheeseburgers [sandwiches]; chow-chow [condiment]; saffron [seasoning]; chocolate; malt extract for food; essences for foodstuffs, except etheric essences and essential oils; husked barley.

31 – Algarovilla for animal consumption; anchovy, live; oranges, fresh; peanuts, fresh; artichokes, fresh; draff; beans, fresh; Locust beans, raw; wreaths of natural flowers; grapes, fresh; algae, unprocessed, for human or animal consumption; fruit residue [marc]; dog biscuits; sea-cucumbers, live; peas, fresh; buckwheat, unprocessed; mushroom spawn for propagation; mushrooms, fresh; trees; palm trees; turf, natural; unsawn timber; undressed timber; yeast for animal consumption; Christmas trees; edible chews for animals; live animals; menagerie animals; peanut cake for animals; oil cake; maize cake for cattle; rape cake for cattle; bagasses of cane [raw material]; cereal seeds, unprocessed; grains [cereals]; grains for animal consumption; lime for animal forage; fish spawn; vegetable marrows, fresh; cocoa beans, raw; koi carp, live; Potatoes, fresh; chestnuts, fresh; quinoa, unprocessed; arrangements of fresh fruit; copra; raw barks; rough cork; animal foodstuffs; pet food; stall food for animals; bird food; strengthening animal forage; chicory roots; roots for animal consumption; nettles; groats for poultry; maize; edible sesame, unprocessed;

shrubs; rose bushes; spiny lobsters, live; lemons, fresh; vine plants; salmon, live; onions, fresh; flower bulbs; leeks, fresh; olives, fresh; bran mash for animal consumption; mussels, live; almonds [fruits]; molluscs, live; peanut meal for animals; linseed meal for animal consumption; meal for animals; flax meal [fodder]; rice meal for forage; fish meal for animal consumption; straw mulch; beverages for pets; edible insects, live; oats; vegetables, fresh; cucumbers, fresh; lobsters, live; fresh and unprocessed nuts; coconuts; kola nuts; bran; distillery waste for animal consumption; residue in a still after distillation; palms [leaves of the palm tree]; cuttle bone for birds; peppers [plants]; aromatic sand [litter] for pets; citrus fruit, fresh; litter for animals; mash for fattening livestock; unprocessed sweet corn ears [husked or unhusked]; animal fattening preparations; preparations for egg laying poultry; fishing bait, live; by-products of the processing of cereals, for animal consumption; seed germ for botanical purposes; poultry, live; wheat; pollen [raw material]; crayfish, live; crustaceans, live; seedlings; plants; aloe vera plants; plants, dried, for decoration; rhubarb, fresh; rice, unprocessed; rye; wheat germ for animal consumption; fish, live; lettuce, fresh; sardines, live; beet, fresh; herrings, live; seeds for planting; linseed for animal consumption; edible linseed, unprocessed; hay; coconut shell; bred stock; sanded paper [litter] for pets; malt for brewing and distilling; straw [forage]; straw litter; salt for cattle; trunks of trees; wood chips for the manufacture of wood pulp; litter peat; garden herbs, fresh; sugarcane; truffles, fresh; tuna, live; squashes, fresh; oysters, live; fruit, fresh; hazelnuts, fresh; fodder; hops; flowers, natural; flowers, dried, for decoration; chicory, fresh; silkworms; garlic, fresh; lentils, fresh; pine cones; hop cones; spinach, fresh; juniper berries; berries, fresh; eggs for hatching, fertilized; silkworm eggs; barley.

32 – Aperitifs, non-alcoholic; barley wine [beer]; lithia water; seltzer water; soda water; waters [beverages]; carbonated water; mineral water [beverages]; table waters; kvass; cocktails, non-alcoholic; beer-based cocktails; lemonades; non-alcoholic beverages; isotonic beverages; non-alcoholic honey-based beverages; rice-based beverages, other than milk substitutes; soya-based beverages, other than milk substitutes; aloe vera drinks, non-alcoholic; whey beverages; protein-enriched sports beverages; soft drinks; non-alcoholic beverages flavoured with coffee; non-alcoholic beverages flavoured with tea; non-alcoholic fruit juice beverages; energy drinks; fruit nectars, non-alcoholic; orgeat; beer; ginger beer; malt beer; powders for effervescent beverages; sarsaparilla [non-alcoholic beverage]; syrups for lemonade; syrups for beverages; smoothies; tomato juice [beverage]; cider, non-alcoholic; vegetable juices [beverages]; fruit juices; preparations for making non-alcoholic beverages; malt extracts for making liquors; preparations for making beverages; must; grape must, unfermented; beer wort;

malt wort; pastilles for effervescing beverages; sherbets [beverages] infused with alcohol; non-alcoholic fruit extracts; extracts of hops for making beer.

33 – Aperitifs; arrack [arak]; baijiu [Chinese distilled alcoholic beverage]; brandy; wine; piquette; whisky; vodka; anisette [liqueur]; kirsch; gin; digestifs [liqueurs and spirits]; cocktails; curacao; anise [liqueur]; liqueurs; pre-mixed alcoholic beverages, other than beer-based; alcoholic beverages, except beer; alcoholic beverages containing fruit; spirits [beverages]; distilled beverages; hydromel [mead]; peppermint liqueurs; bitters; nira [sugarcane-based alcoholic beverage]; rum; sake; perry; cider; rice alcohol; alcoholic extracts; fruit extracts, alcoholic; alcoholic essences.

34 – Flavourings, other than essential oils, for use in electronic cigarettes; flavourings, other than essential oils, for tobacco; gas containers for cigar lighters; absorbent paper for tobacco pipes; cigarette paper; lighters for smokers; tobacco pouches; books of cigarette papers; humidors; matchboxes; firestones; cigar cutters; cigar holders; cigarette holders; mouthpieces for cigarette holders; tips of yellow amber for cigar and cigarette holders; ashtrays for smokers; spittoons for tobacco users; pipe racks for tobacco pipes; pipe cleaners for tobacco pipes; liquid solutions for use in electronic cigarettes; electronic cigarettes; cigarettes; cigarettes containing tobacco substitutes, not for medical purposes; cigarillos; cigars; tobacco jars; match holders; matches; oral vaporizers for smokers; tobacco; chewing tobacco; snuff; snuffboxes; herbs for smoking; tobacco pipes; pocket machines for rolling cigarettes; cigarette filters; cigarette tips; cigar cases; cigarette cases.

35 – Arranging subscriptions to telecommunication services for others; import-export agency services; commercial information agency services; advertising agency services; cost price analysis; rental of advertising space; business auditing; financial auditing; business intermediary services relating to the matching of potential private investors with entrepreneurs needing funding; employment agency services; computerized file management; book-keeping; invoicing; demonstration of goods; transcription of communications [office functions]; opinion polling; market studies; providing business information; providing commercial information and advice for consumers in the choice of products and services; business investigations; business research; marketing research; personnel recruitment; business management and organization consultancy; business organization consultancy; business management consultancy; personnel management consultancy; professional business consultancy; consultancy regarding public relations communication strategies; consultancy regarding advertising communication strategies; layout services for advertising purposes; marketing; marketing in the framework of software publishing; targeted marketing; business management of performing artists; business management of

sports people; writing of curriculum vitae for others; scriptwriting for advertising purposes; news clipping services; updating and maintenance of information in registries; updating and maintenance of data in computer databases; updating of advertising material; word processing; online retail services for downloadable and pre-recorded music and movies; online retail services for downloadable ring tones; online retail services for downloadable digital music; organization of exhibitions for commercial or advertising purposes; arranging newspaper subscriptions for others; organization of fashion shows for promotional purposes; organization of trade fairs for commercial or advertising purposes; shop window dressing; business appraisals; payroll preparation; data search in computer files for others; sponsorship search; administrative assistance in responding to calls for tenders; business management assistance; commercial or industrial management assistance; commercial intermediation services; providing business information via a website; providing commercial and business contact information; provision of an online marketplace for buyers and sellers of goods and services; web indexing for commercial or advertising purposes; presentation of goods on communication media, for retail purposes; economic forecasting; auctioneering; retail services for works of art provided by art galleries; sales promotion for others; promotion of goods and services through sponsorship of sports events; production of teleshopping programmes; production of advertising films; office machines and equipment rental; rental of advertising time on communication media; publicity material rental; rental of billboards [advertising boards]; rental of vending machines; rental of sales stands; rental of photocopying machines; publication of publicity texts; radio advertising; bill-posting; distribution of samples; dissemination of advertising matter; direct mail advertising; registration of written communications and data; editing of publicity texts; advertising; online advertising on a computer network; outdoor advertising; advertising by mail order; television advertising; document reproduction; compilation of statistics; compilation of information into computer databases; business inquiries; systemization of information into computer databases; advisory services for business management; negotiation of business contracts for others; negotiation and conclusion of commercial transactions for third parties; compiling indexes of information for commercial or advertising purposes; tax preparation; drawing up of statements of accounts; telemarketing services; psychological testing for the selection of personnel; wholesale services for pharmaceutical, veterinary and sanitary preparations and medical supplies; retail services for pharmaceutical, veterinary and sanitary preparations and medical supplies; interim business management; outsourced administrative management for companies; business management of hotels; business management for freelance service providers; business project management servi-

ces for construction projects; commercial administration of the licensing of the goods and services of others; business management of reimbursement programmes for others; administration of consumer loyalty programs; administration of frequent flyer programs; administrative processing of purchase orders; public relations; competitive intelligence services; modelling for advertising or sales promotion; typing; market intelligence services; appointment reminder services [office functions]; website traffic optimization; administrative services for the relocation of businesses; tax filing services; search engine optimization for sales promotion; appointment scheduling services [office functions]; gift registry services; price comparison services; pay per click advertising; secretarial services; procurement services for others [purchasing goods and services for other businesses]; shorthand; outsourcing services [business assistance]; telephone answering for unavailable subscribers; photocopying services; business efficiency expert services.

40 – Paper finishing; applying finishes to textiles; up-cycling [waste recycling]; vulcanization [material treatment]; skin dressing; fruit crushing; embroidering; galvanization; zinc plating; electroplating; engraving; decontamination of hazardous materials; air deodorizing; stripping finishes; tanning; metal tempering; freezing of foods; gilding; gold plating; providing information relating to material treatment; cadmium plating; permanent-press treatment of fabrics; food and drink preservation; food smoking; leather staining; fur dyeing; shoe staining; textile dyeing; cloth dyeing; laminating; lithographic printing; metal casting; fur glossing; tin plating; boilermaking; taxidermy; magnetization; nickel plating; abrasion; paper treating; water treating; woodworking; processing of cinematographic films; leather working; cloth edging; metal treating; fur conditioning; fur mothproofing; waste treatment [transformation]; textile mothproofing; cloth waterproofing; crease-resistant treatment for clothing; cloth fireproofing; textile treating; wool treating; framing of works of art; window tinting treatment being surface coating; air freshening; fabric bleaching; air purification; soldering; clothing alteration; recycling of waste and trash; processing of oil; pattern printing; photographic printing; offset printing; metal plating; printing; burnishing by abrasion; flour milling; dressmaking; rental of boilers; knitting machine rental; rental of electricity generators; rental of air-conditioning apparatus; rental of space heating apparatus; photographic film development; pottery firing; blacksmithing; custom assembly of products for others; bookbinding; welding services; glassblowing; saddlery working; grinding; cloth cutting; sawing of materials; refining services; timber felling and processing; fur satining; silver plating; incineration of waste and trash; laser scribing; warping [looms]; sorting of waste and recyclable material [transformation]; photo-composing services; quilting; planing of materials; furling of cloth; tinting of car windows; slaughtering of

animals; destruction of waste and trash; cloth pre-shrinking; services of a dental technician; cryopreservation services; key cutting; dyeing services; sand-blasting services; production of energy; custom tailoring; custom fashioning of fur; photogravure; mill-working; chromium plating; colour separation services; silkscreen printing; optical glass grinding.

41 – Modelling for artists; academies [education]; rental of indoor aquaria; rental of artwork; rental of sports grounds; rental of tennis courts; lending library services; booking of seats for shows; videotaping; physical education; production of music; discotheque services; animal training; dubbing; gambling services; publication of books; providing information in the field of education; providing information relating to recreational activities; providing information in the field of entertainment; movie studio services; health club services [health and fitness training]; nightclub services [entertainment]; layout services, other than for advertising purposes; microfilming; videotape editing; production of radio and television programmes; screenplay writing; game services provided online from a computer network; providing online electronic publications, not downloadable; religious education; aikido instruction; gymnastic instruction; correspondence courses; practical training [demonstration]; training services provided via simulators; organization of balls; organization of exhibitions for cultural and educational purposes; providing recreation facilities; arranging and conducting of colloquiums; arranging and conducting of congresses; arranging and conducting of conferences; arranging and conducting of concerts; arranging and conducting of workshops [training]; arranging and conducting of in-person educational forums; arranging and conducting of seminars; arranging and conducting of symposiums; organization of competitions [education or entertainment]; arranging of beauty contests; organization of cosplay entertainment events; organization of lotteries; organization of fashion shows for entertainment purposes; organization of shows [impresario services]; organization of sports competitions; vocational guidance [education or training advice]; amusement park services; sign language interpretation; television entertainment; mobile library services; vocational retraining; providing online videos, not downloadable; providing online music, not downloadable; providing television programmes, not downloadable, via video-on-demand services; providing films, not downloadable, via video-on-demand services; providing golf facilities; providing sports facilities; providing amusement arcade services; cinema presentations; presentation of circus performances; presentation of variety shows; presentation of live performances; theatre productions; conducting guided climbing tours; conducting fitness classes; educational examination; film production, other than advertising films; rental of audio equipment; rental of video cameras; rental of video cassette recorders; rental of videotapes; rental of show scenery; rental of so-

und recordings; toy rental; rental of cinematographic apparatus; rental of motion pictures; games equipment rental; rental of stadium facilities; rental of lighting apparatus for theatrical sets or television studios; rental of radio and television sets; rental of skin diving equipment; rental of sports equipment, except vehicles; rental of stage scenery; electronic desktop publishing; online publication of electronic books and journals; publication of texts, other than publicity texts; radio entertainment; entertainer services; entertainment services; writing of texts; sado instruction [tea ceremony instruction]; zoological garden services; news reporters services; party planning [entertainment]; music composition services; subtitling; tutoring; holiday camp services [entertainment]; conducting guided tours; disc jockey services; personal trainer services [fitness training]; providing casino facilities [gambling]; calligraphy services; karaoke services; club services; songwriting; cultural, educational or entertainment services provided by art galleries; providing museum facilities; teaching; educational services provided by schools; orchestra services; translation; scriptwriting, other than for advertising purposes; ticket agency services [entertainment]; coaching [training]; sport camp services; recording studio services; language interpretation; nursery schools; photography; photographic reporting; timing of sports events; boarding school education; production of shows.

43 – Accommodation bureau services [hotels, boarding houses]; rental of temporary accommodation; rental of meeting rooms; tourist home services; hotel reservations; boarding house bookings; temporary accommodation reservations; hotel accommodation services; retirement home services; snack-bar services; café services; cafeteria services; motel services; boarding house services; boarding for animals; rental of cooking apparatus; rental of chairs, tables, table linen, glassware; rental of lighting apparatus; rental of tents; rental of transportable buildings; rental of drinking water dispensers; restaurant services; self-service restaurant services; reception services for temporary accommodation [management of arrivals and departures]; food sculpting; canteen services; holiday camp services [lodging]; bar services; providing campground facilities; food and drink catering; washoku restaurant services; udon and soba restaurant services; day-nursery [crèche] services.

(260) AM 2024 123538 A

(800) 1737178

(151) 2023 04 19

(891) 2023 04 19

(731) Petrepublic Sp. z o.o.

Ul. Nasienna 22, PL-95-040 Koluszki,  
Poland

(540)



(591) Black, white

(531) 03.01.06; 03.01.24; 26.11.02; 26.11.12;  
26.11.13; 27.05.01

(511)

31 – Foodstuffs for cats; cat treats [edible]; foodstuffs and fodder for animals; food preparations for dogs; food preparations for cats; beverages for pets; biscuits for animals; ice creams for animals; bedding and litter for animals; sand for pet toilets; litter for domestic animals; cat litter; woodshavings for use as animal bedding; straw litter.

---

**INTERNATIONAL TRADEMARKS PROTECTED IN GEORGIA**

(260) AM 2024 119053 A  
(800) 1678738  
(151) 2021 12 29  
(181) 2031 12 29  
(891) 2021 12 29  
(511) 11

---

(260) AM 2024 121076 A  
(800) 1705997  
(151) 2022 07 05  
(181) 2032 07 05  
(891) 2022 07 05  
(511) 16, 20, 35, 37, 39

---

(260) AM 2024 119668 A  
(800) 1054145  
(151) 2010 01 15  
(181) 2030 01 15  
(891) 2022 08 24  
(511) 17

---

(260) AM 2024 121077 A  
(800) 1706041  
(151) 2022 05 23  
(181) 2032 05 23  
(891) 2022 05 23  
(511) 09, 10, 16, 41, 42, 44

---

(260) AM 2024 120211 A  
(800) 1693882  
(151) 2022 05 19  
(181) 2032 05 19  
(891) 2022 05 19  
(511) 09, 16, 21, 25, 28, 41

---

(260) AM 2024 121079 A  
(800) 1706057  
(151) 2022 07 14  
(181) 2032 07 14  
(891) 2022 07 14  
(511) 09, 35, 36, 38, 41, 42, 45

---

(260) AM 2024 121003 A  
(800) 1704827  
(151) 2022 11 04  
(181) 2032 11 04  
(891) 2022 11 04  
(511) 05

---

(260) AM 2024 121168 A  
(800) 1707155  
(151) 2022 10 25  
(181) 2032 10 25  
(891) 2022 10 25  
(511) 05, 09, 44

---

(260) AM 2024 121004 A  
(800) 1704941  
(151) 2022 05 25  
(181) 2032 05 25  
(891) 2022 05 25  
(511) 12, 28

---

(260) AM 2024 121169 A  
(800) 1707194  
(151) 2022 11 15  
(181) 2032 11 15  
(891) 2022 11 15  
(511) 35

---

(260) AM 2024 121005 A  
(800) 1704988  
(151) 2022 09 15  
(181) 2032 09 15  
(891) 2022 09 15  
(511) 09, 35, 38, 41, 42, 45

---

(260) AM 2024 121170 A  
(800) 1707198  
(151) 2022 11 15  
(181) 2032 11 15  
(891) 2022 11 15  
(511) 05

---

(260) AM 2024 121033 A  
(800) 1373937  
(151) 2016 11 25  
(181) 2026 11 25  
(891) 2022 10 04  
(511) 09

---

(260) AM 2024 121171 A  
(800) 1707199  
(151) 2022 11 15  
(181) 2032 11 15  
(891) 2022 11 15  
(511) 05

---



(260) AM 2024 121172 A  
(800) 1707200  
(151) 2022 11 15  
(181) 2032 11 15  
(891) 2022 11 15  
(511) 05

---

(260) AM 2024 121373 A  
(800) 1709232  
(151) 2022 11 10  
(181) 2032 11 10  
(891) 2022 11 10  
(511) 01, 06, 37, 41, 42

---

(260) AM 2024 121264 A  
(800) 1708087  
(151) 2022 11 15  
(181) 2032 11 15  
(891) 2022 11 15  
(511) 05

---

(260) AM 2024 121374 A  
(800) 1709236  
(151) 2022 10 27  
(181) 2032 10 27  
(891) 2022 10 27  
(511) 41, 42

---

(260) AM 2024 121265 A  
(800) 1708089  
(151) 2022 11 15  
(181) 2032 11 15  
(891) 2022 11 15  
(511) 05

---

(260) AM 2024 121375 A  
(800) 1709301  
(151) 2022 12 02  
(181) 2032 12 02  
(891) 2022 12 02  
(511) 03, 05

---

(260) AM 2024 121266 A  
(800) 1708090  
(151) 2022 11 15  
(181) 2032 11 15  
(891) 2022 11 15  
(511) 05

---

(260) AM 2024 121377 A  
(800) 1709358  
(151) 2022 10 26  
(181) 2032 10 26  
(891) 2022 10 26  
(511) 03

---

(260) AM 2024 121267 A  
(800) 1708099  
(151) 2022 10 31  
(181) 2032 10 31  
(891) 2022 10 31  
(511) 09

---

(260) AM 2024 121378 A  
(800) 1709363  
(151) 2022 09 01  
(181) 2032 09 01  
(891) 2022 09 01  
(511) 35

---

(260) AM 2024 121268 A  
(800) 1708119  
(151) 2022 12 20  
(181) 2032 12 20  
(891) 2022 12 20  
(511) 09

---

(260) AM 2024 121380 A  
(800) 1709447  
(151) 2022 07 26  
(181) 2032 07 26  
(891) 2022 07 26  
(511) 09, 28, 41

---

(260) AM 2024 121269 A  
(800) 1708179  
(151) 2022 06 06  
(181) 2032 06 06  
(891) 2022 06 06  
(511) 09, 35, 42

---

(260) AM 2024 121382 A  
(800) 1709450  
(151) 2022 07 26  
(181) 2032 07 26  
(891) 2022 07 26  
(511) 09, 28, 41

---

(260) AM 2024 121384 A  
(800) 1709453  
(151) 2022 07 26  
(181) 2032 07 26  
(891) 2022 07 26  
(511) 09, 28, 41

---

(260) AM 2024 121540 A  
(800) 1711348  
(151) 2022 12 07  
(181) 2032 12 07  
(891) 2022 12 07  
(511) 05

---

(260) AM 2024 121393 A  
(800) 1709709  
(151) 2022 11 03  
(181) 2032 11 03  
(891) 2022 11 03  
(511) 09, 12, 35, 36, 37, 38, 39

---

(260) AM 2024 121541 A  
(800) 1711350  
(151) 2022 12 07  
(181) 2032 12 07  
(891) 2022 12 07  
(511) 05

---

(260) AM 2024 121456 A  
(800) 1710187  
(151) 2022 10 18  
(181) 2032 10 18  
(891) 2022 10 18  
(511) 10

---

(260) AM 2024 121543 A  
(800) 1711387  
(151) 2023 01 05  
(181) 2033 01 05  
(891) 2023 01 05  
(511) 09

---

(260) AM 2024 121457 A  
(800) 1710199  
(151) 2022 12 13  
(181) 2032 12 13  
(891) 2022 12 13  
(511) 09, 41, 42

---

(260) AM 2024 121544 A  
(800) 1711429  
(151) 2022 10 05  
(181) 2032 10 05  
(891) 2022 10 05  
(511) 09, 28, 41

---

(260) AM 2024 121458 A  
(800) 1710231  
(151) 2022 07 13  
(181) 2032 07 13  
(891) 2022 07 13  
(511) 08, 21, 35, 41

---

(260) AM 2024 121545 A  
(800) 1711487  
(151) 2022 11 30  
(181) 2032 11 30  
(891) 2022 11 30  
(511) 30

---

(260) AM 2024 121460 A  
(800) 1710357  
(151) 2022 12 09  
(181) 2032 12 09  
(891) 2022 12 09  
(511) 35

---

(260) AM 2024 121546 A  
(800) 1711493  
(151) 2022 11 25  
(181) 2032 11 25  
(891) 2022 11 25  
(511) 34

---

(260) AM 2024 121462 A  
(800) 1710436  
(151) 2022 10 04  
(181) 2032 10 04  
(891) 2022 10 04  
(511) 03

---

(260) AM 2024 121552 A  
(800) 1711646  
(151) 2022 12 14  
(181) 2032 12 14  
(891) 2022 12 14  
(511) 01, 04

---

(260) AM 2024 121557 A  
(800) 1711767  
(151) 2023 01 09  
(181) 2033 01 09  
(891) 2023 01 09  
(511) 31

---

(260) AM 2024 121572 A  
(800) 1712008  
(151) 2022 09 15  
(181) 2032 09 15  
(891) 2022 09 15  
(511) 35, 42, 45

---

(260) AM 2024 121558 A  
(800) 1711768  
(151) 2023 01 09  
(181) 2033 01 09  
(891) 2023 01 09  
(511) 31

---

(260) AM 2024 121573 A  
(800) 1712009  
(151) 2022 09 15  
(181) 2032 09 15  
(891) 2022 09 15  
(511) 35, 42, 45

---

(260) AM 2024 121559 A  
(800) 1711772  
(151) 2022 10 24  
(181) 2032 10 24  
(891) 2022 10 24  
(511) 06, 07

---

(260) AM 2024 121575 A  
(800) 1712217  
(151) 2022 11 25  
(181) 2032 11 25  
(891) 2022 11 25  
(511) 09, 42

---

(260) AM 2024 121560 A  
(800) 1711779  
(151) 2023 01 09  
(181) 2033 01 09  
(891) 2023 01 09  
(511) 31

---

(260) AM 2024 121576 A  
(800) 1712219  
(151) 2022 12 12  
(181) 2032 12 12  
(891) 2022 12 12  
(511) 39, 41, 43

---

(260) AM 2024 121561 A  
(800) 1711787  
(151) 2022 11 23  
(181) 2032 11 23  
(891) 2022 11 23  
(511) 09, 36, 42

---

(260) AM 2024 121590 A  
(800) 1712452  
(151) 2022 11 25  
(181) 2032 11 25  
(891) 2022 11 25  
(511) 09

---

(260) AM 2024 121562 A  
(800) 1711874  
(151) 2022 08 10  
(181) 2032 08 10  
(891) 2022 08 10  
(511) 41

---

(260) AM 2024 121593 A  
(800) 1712474  
(151) 2022 12 02  
(181) 2032 12 02  
(891) 2022 12 02  
(511) 32

---

(260) AM 2024 121564 A  
(800) 1711922  
(151) 2022 11 17  
(181) 2032 11 17  
(891) 2022 11 17  
(511) 35, 42

---

(260) AM 2024 121597 A  
(800) 1712609  
(151) 2022 10 26  
(181) 2032 10 26  
(891) 2022 10 26  
(511) 07

---

(260) AM 2024 121598 A  
(800) 1712662  
(151) 2022 11 27  
(181) 2032 11 27  
(891) 2022 11 27  
(511) 25

---

(260) AM 2024 121671 A  
(800) 1710904  
(151) 2022 11 22  
(181) 2032 11 22  
(891) 2022 11 22  
(511) 35, 39

---

(260) AM 2024 121599 A  
(800) 1712666  
(151) 2022 12 08  
(181) 2032 12 08  
(891) 2022 12 08  
(511) 34

---

(260) AM 2024 121673 A  
(800) 1712929  
(151) 2022 11 25  
(181) 2032 11 25  
(891) 2022 11 25  
(511) 09

---

(260) AM 2024 121601 A  
(800) 1712687  
(151) 2023 01 03  
(181) 2033 01 03  
(891) 2023 01 03  
(511) 09

---

(260) AM 2024 121684 A  
(800) 1713309  
(151) 2022 10 03  
(181) 2032 10 03  
(891) 2022 10 03  
(511) 03, 04, 35

---

(260) AM 2024 121605 A  
(800) 1712802  
(151) 2022 11 04  
(181) 2032 11 04  
(891) 2022 11 04  
(511) 35

---

(260) AM 2024 121685 A  
(800) 1713381  
(151) 2022 06 10  
(181) 2032 06 10  
(891) 2022 06 10  
(511) 24, 35

---

(260) AM 2024 121622 A  
(800) 1663358  
(151) 2022 04 13  
(181) 2032 04 13  
(891) 2023 01 20  
(511) 11

---

(260) AM 2024 121688 A  
(800) 1713512  
(151) 2022 12 14  
(181) 2032 12 14  
(891) 2022 12 14  
(511) 25

---

(260) AM 2024 121623 A  
(800) 1664800  
(151) 2022 02 02  
(181) 2032 02 02  
(891) 2022 12 28  
(511) 25, 35

---

(260) AM 2024 121690 A  
(800) 1713556  
(151) 2022 12 07  
(181) 2032 12 07  
(891) 2022 12 07  
(511) 33

---

(260) AM 2024 121624 A  
(800) 1666731  
(151) 2022 04 13  
(181) 2032 04 13  
(891) 2023 01 20  
(511) 07, 11

---

(260) AM 2024 121691 A  
(800) 1713641  
(151) 2022 10 24  
(181) 2032 10 24  
(891) 2022 10 24  
(511) 03, 35, 41, 42

---

(260) AM 2024 121692 A  
(800) 1713723  
(151) 2022 09 05  
(181) 2032 09 05  
(891) 2022 09 05  
(511) 05

---

(260) AM 2024 121708 A  
(800) 1316011  
(151) 2016 06 22  
(181) 2026 06 22  
(891) 2023 01 30  
(511) 30

---

(260) AM 2024 121693 A  
(800) 1713773  
(151) 2023 01 19  
(181) 2033 01 19  
(891) 2023 01 19  
(511) 28

---

(260) AM 2024 121709 A  
(800) 1320353  
(151) 2016 07 18  
(181) 2026 07 18  
(891) 2023 02 01  
(511) 03

---

(260) AM 2024 121695 A  
(800) 1713798  
(151) 2022 07 26  
(181) 2032 07 26  
(891) 2022 07 26  
(511) 09, 28, 41

---

(260) AM 2024 121777 A  
(800) 1714210  
(151) 2022 10 28  
(181) 2032 10 28  
(891) 2022 10 28  
(511) 30

---

(260) AM 2024 121701 A  
(800) 1713853  
(151) 2022 09 23  
(181) 2032 09 23  
(891) 2022 09 23  
(511) 29

---

(260) AM 2024 121778 A  
(800) 1714211  
(151) 2022 12 06  
(181) 2032 12 06  
(891) 2022 12 06  
(511) 17

---

(260) AM 2024 121705 A  
(800) 1714091  
(151) 2022 10 21  
(181) 2032 10 21  
(891) 2022 10 21  
(511) 34

---

(260) AM 2024 121779 A  
(800) 1714228  
(151) 2023 01 04  
(181) 2033 01 04  
(891) 2023 01 04  
(511) 36

---

(260) AM 2024 121706 A  
(800) 563004  
(151) 1990 11 09  
(181) 2030 11 09  
(891) 2023 01 12  
(511) 32

---

(260) AM 2024 121780 A  
(800) 1714281  
(151) 2022 12 02  
(181) 2032 12 02  
(891) 2022 12 02  
(511) 25

---

(260) AM 2024 121707 A  
(800) 1226152  
(151) 2014 08 07  
(181) 2024 08 07  
(891) 2023 02 01  
(511) 09, 14, 18, 25, 35

---

(260) AM 2024 121786 A  
(800) 1714699  
(151) 2022 11 08  
(181) 2032 11 08  
(891) 2022 11 08  
(511) 09, 28, 41

---

(260) AM 2024 121798 A  
(800) 1715103  
(151) 2022 12 19  
(181) 2032 12 19  
(891) 2022 12 19  
(511) 12

---

(260) AM 2024 121831 A  
(800) 790321  
(151) 2002 09 05  
(181) 2032 09 05  
(891) 2022 11 17  
(511) 35

---

(260) AM 2024 121800 A  
(800) 1715123  
(151) 2022 11 22  
(181) 2032 11 22  
(891) 2022 11 22  
(511) 12

---

(260) AM 2024 121832 A  
(800) 883762  
(151) 2006 03 23  
(181) 2026 03 23  
(891) 2023 02 08  
(511) 30

---

(260) AM 2024 121801 A  
(800) 1715163  
(151) 2022 11 29  
(181) 2032 11 29  
(891) 2022 11 29  
(511) 17

---

(260) AM 2024 121833 A  
(800) 884473  
(151) 2006 03 16  
(181) 2026 03 16  
(891) 2023 02 08  
(511) 30

---

(260) AM 2024 121827 A  
(800) 1715674  
(151) 2022 11 22  
(181) 2032 11 22  
(891) 2022 11 22  
(511) 05

---

(260) AM 2024 121834 A  
(800) 894001  
(151) 2006 03 15  
(181) 2026 03 15  
(891) 2023 02 07  
(511) 03

---

(260) AM 2024 121828 A  
(800) 1715700  
(151) 2022 12 16  
(181) 2032 12 16  
(891) 2022 12 16  
(511) 34

---

(260) AM 2024 121835 A  
(800) 1105866  
(151) 2011 12 21  
(181) 2031 12 21  
(891) 2023 02 08  
(511) 30

---

(260) AM 2024 121829 A  
(800) 1715701  
(151) 2022 12 19  
(181) 2032 12 19  
(891) 2022 12 19  
(511) 34

---

(260) AM 2024 121836 A  
(800) 1106838  
(151) 2011 12 30  
(181) 2031 12 30  
(891) 2023 02 08  
(511) 30

---

(260) AM 2024 121830 A  
(800) 1715702  
(151) 2022 12 16  
(181) 2032 12 16  
(891) 2022 12 16  
(511) 34

---

(260) AM 2024 121879 A  
(800) 1716233  
(151) 2022 09 13  
(181) 2032 09 13  
(891) 2022 09 13  
(511) 01, 29

---

(260) AM 2024 121886 A  
(800) 1716641  
(151) 2023 01 13  
(181) 2033 01 13  
(891) 2023 01 13  
(511) 30

---

(260) AM 2024 122190 A  
(800) 1593341  
(151) 2020 11 26  
(181) 2030 11 26  
(891) 2023 03 01  
(511) 03

---

(260) AM 2024 121887 A  
(800) 1716646  
(151) 2023 01 17  
(181) 2033 01 17  
(891) 2023 01 17  
(511) 30

---

(260) AM 2024 122191 A  
(800) 1661071  
(151) 2022 04 02  
(181) 2032 04 02  
(891) 2023 02 07  
(511) 33

---

(260) AM 2024 121953 A  
(800) 1717464  
(151) 2022 11 16  
(181) 2032 11 16  
(891) 2022 11 16  
(511) 09, 14, 18, 25, 35

---

(260) AM 2024 122192 A  
(800) 1663885  
(151) 2022 05 10  
(181) 2032 05 10  
(891) 2023 03 06  
(511) 33

---

(260) AM 2024 121961 A  
(800) 1717633  
(151) 2022 05 06  
(181) 2032 05 06  
(891) 2022 05 06  
(511) 11, 35

---

(260) AM 2024 122193 A  
(800) 1667230  
(151) 2022 03 19  
(181) 2032 03 19  
(891) 2022 12 16  
(511) 07, 37, 38

---

(260) AM 2024 121962 A  
(800) 1717645  
(151) 2023 01 26  
(181) 2033 01 26  
(891) 2023 01 26  
(511) 12

---

(260) AM 2024 122194 A  
(800) 1675282  
(151) 2022 03 09  
(181) 2032 03 09  
(891) 2023 01 30  
(511) 12

---

(260) AM 2024 121981 A  
(800) 1717964  
(151) 2022 10 26  
(181) 2032 10 26  
(891) 2022 10 26  
(511) 07

---

(260) AM 2024 122195 A  
(800) 1709566  
(151) 2022 11 30  
(181) 2032 11 30  
(891) 2023 02 07  
(511) 03, 05

---

(260) AM 2024 121996 A  
(800) 1540697  
(151) 2020 05 26  
(181) 2030 05 26  
(891) 2023 02 15  
(511) 12

---

(260) AM 2024 122243 A  
(800) 1721184  
(151) 2021 12 03  
(181) 2031 12 03  
(891) 2021 12 03  
(511) 31

---

(260) AM 2024 122245 A  
(800) 1721213  
(151) 2023 02 13  
(181) 2033 02 13  
(891) 2023 02 13  
(511) 05

---

(260) AM 2024 122255 A  
(800) 1721913  
(151) 2023 02 01  
(181) 2033 02 01  
(891) 2023 02 01  
(511) 05

---

(260) AM 2024 122259 A  
(800) 1722144  
(151) 2023 02 09  
(181) 2033 02 09  
(891) 2023 02 09  
(511) 35

---



---

# OFFICIAL NOTIFICATIONS

## INVENTIONS RESTORATION OF PATENT

(21) AP 2019 15240  
(11) P 2021 7323 B  
(73) LLC "AQUIX"  
(54) METHOD OF PREPARING OF BEVERAG  
DATE OF PATENT LAPSE: 2023 12 19  
DATE OF PATENT RESTORATION: 2024 02 26

---

### LAPSE OF PATENTS WITH THE RIGHT TO RESTORE

(21) AP 2010 12375  
(11) P 2015 6406 B  
(73) Red Leaf Resources Inc.  
(54) METHOD OF RECOVERING MINERALS FROM HYDROCARBONACEOUS MATERIAL USING  
CONSTRUCTED INFRASTRUCTURE AND ASSOCIATED SYSTEMS  
DATE OF PATENT LAPSE: 2024 02 10  
PATENT RESTORATION TERM: 2025 02 10

---

(21) AP 2014 13374  
(11) P 2014 6174 B  
(73) Ioseb Maisuradze  
(54) METHOD TO REPAIR RAILWAY AND/OR UNDERGROUND CARRIAGE FRAME CROSS BEAM  
CRACK  
DATE OF PATENT LAPSE: 2024 02 03  
PATENT RESTORATION TERM: 2025 02 03

---

(21) AP 2014 13916  
(11) P 2017 6600 B  
(73) Pfizer Inc.  
(54) PYRROLO [2, 3 -D]PYRIMIDINE DERIVATIVES AS INHIBITORS OF JANUS- RELATED KINASES  
(JAK)  
DATE OF PATENT LAPSE: 2024 02 11  
PATENT RESTORATION TERM: 2025 02 11

---

(21) AP 2017 14863  
(11) P 2022 7341 B  
(73) Proton Technology Inc.  
(54) IN-SITU PROCESS TO PRODUCE HYDROGEN FROM UNDERGROUND HYDROCARBON  
RESERVOIRS  
DATE OF PATENT LAPSE: 2024 02 07  
PATENT RESTORATION TERM: 2025 02 07

---

(21) AP 2020 15271  
(11) P 2021 7298 B  
(73) Luka Patchkoria  
(54) DEVICE FOR WINDOW AUTOMATIC CLEANING AND VENTILATION  
DATE OF PATENT LAPSE: 2024 02 04  
PATENT RESTORATION TERM: 2025 02 04

---

(21) AP 2019 15430  
(11) P 2023 7542 B  
(73) Waterotor Energy Technologies Inc  
(54) SYSTEMS AND METHODS FOR GENERATING ELECTRICAL ENERGY  
DATE OF PATENT LAPSE: 2024 02 01  
PATENT RESTORATION TERM: 2025 02 01

---

(21) AP 2020 15724  
(11) P 2023 7531 B  
(73) Bayer Pharma Aktiengesellschaft;  
Bayer Aktiengesellschaft  
(54) MONOHYDRATE OF ROGARATINIB HYDROCHLORIDE AND SOLID STATES THEREOF  
DATE OF PATENT LAPSE: 2024 01 27  
PATENT RESTORATION TERM: 2025 01 27

---

(21) AP 2022 15876  
(11) P 2023 7578 B  
(73) Armen Gevorgyan  
(54) METHOD OF DEEP CLEANSING OF SKIN  
DATE OF PATENT LAPSE: 2024 02 04  
PATENT RESTORATION TERM: 2025 02 04

---

## EXPIRATION OF PATENTS RESTORATION TERM

(21) AP 2008 11451  
(11) P 2013 5727 B  
(73) Columbia Laboratories (Bermuda) Limited (BM)  
(54) PROGESTERONE FOR PRETERM BIRTH PREVENTION  
DATE OF PATENT LAPSE: 2023 02 05  
DATE OF EXPIRATION OF PATENT RESTORATION TERM: 2024 02 05

---

(21) AP 2013 13572  
(11) P 2016 6552 B  
(73) Aziende Chimiche Riunite Angelini Francesco A.C.R.A.F. S.p.A. (IT)  
(54) USE OF 1H-INDAZOLE-3-CARBOXAMIDE COMPOUNDS AS GLYCOGEN SYNTHASE KINASE  
3-BETA INHIBITORS  
DATE OF PATENT LAPSE: 2023 02 08  
DATE OF EXPIRATION OF PATENT RESTORATION TERM: 2024 02 08

---

(21) AP 2015 13728  
(11) P 2016 6478 B  
(73) Tamaz Shioshvili  
(54) DEVICE FOR GETTING HAIR ROOT AND TRANSPLANTATION THEREOF  
DATE OF PATENT LAPSE: 2023 02 06  
DATE OF EXPIRATION OF PATENT RESTORATION TERM: 2024 02 06

---

(21) AP 2017 14871  
(11) P 2020 7163 B  
(73) Guy SCOTT;  
Lindsay MOLONEY  
(54) A SYSTEM AND METHOD FOR DOCUMENT INFORMATION AUTHENTICITY VERIFICATION  
DATE OF PATENT LAPSE: 2023 02 07  
DATE OF EXPIRATION OF PATENT RESTORATION TERM: 2024 02 07

---

## EXPIRATION OF PATENTS

(21) AP 2014 13386  
(11) P 2015 1851 B  
(73) Amalia Shakulashvili  
(54) OINTMENT TREATING SKIN DISEASES, CONTINUOUS NONHEALING WOUNDS AND BURNS  
DATE OF EXPIRATION OF PATENT: 2024 02 13

---

(21) AP 2004 8044  
(11) P 2005 3571 B  
(73) Venera Stepanishvili;  
Ucha Abzianidze  
(54) Method for Treatment of Ascosferose  
DATE OF EXPIRATION OF PATENT: 2024 02 06

---

(21) AP 2004 8958  
(11) P 2008 4445 B  
(73) Helsinn Healthcare Sa  
(54) LIQUID PHARMACEUTICAL FORMULATIONS OF PALONOSETRON  
DATE OF EXPIRATION OF PATENT: 2024 01 30

---

## UTILITY MODELS RESTORATION OF PATENTS

(21) AU 2020 15477  
(11) U 2022 2108 Y  
(73) Mamuka Verulava  
(54) METHOD FOR HOUSEFLY WORM GROWTH  
DATE OF PATENT LAPSE: 2023 10 27  
DATE OF PATENT RESTORATION: 2024 02 26

---

(21) AU 2021 15537  
(11) U 2023 2144 Y  
(73) Guram Kupatadze;  
Shakro Kvirivia;  
Anzor Japaridze  
(54) BIOLOGICALLY ACTIVE FOOD ADITIVE  
DATE OF PATENT LAPSE: 2024 01 17  
DATE OF PATENT RESTORATION: 2024 02 26

---

(21) AU 2021 15545  
(11) U 2021 2101 Y  
(73) Giorgi Chiradze  
(54) METHOD FOR MULTILAYER ARTICLE PREPARATION WITH PLYWOOD  
DATE OF PATENT LAPSE: 2024 01 28  
DATE OF PATENT RESTORATION: 2024 02 26

---

## LAPSE OF PATENTS WITH THE RIGHT TO RESTORE

(21) AU 2021 15548  
(11) U 2022 2104 Y  
(73) LTD "Novacia"  
(54) ADVERTISING EQUIPMENT  
DATE OF PATENT LAPSE: 2024 02 02  
PATENT RESTORATION TERM: 2025 02 02

---

(21) AU 2022 15869  
(11) U 2023 2146 Y  
(73) Tamar Japaridze  
(54) METHOD FOR SYRUP PREPARATION  
DATE OF PATENT LAPSE: 2024 01 29  
PATENT RESTORATION TERM: 2025 01 29

---

## EXPIRATION OF PATENTS RESTORATION TERM

(21) AU 2020 15267  
(11) U 2021 2078 Y  
(73) Avtandil Bitsadze  
(54) HELIODRYER FOR AGRICULTURAL PRODUCTION  
DATE OF PATENT LAPSE: 2023 01 30  
DATE OF EXPIRATION OF PATENT RESTORATION TERM: 2024 01 30

---

(21) AU 2020 15270  
(11) U 2021 2080 Y  
(73) Nino Mtchedlishvili  
(54) MULTIPLE USAGE PAD FOR LADY  
DATE OF PATENT LAPSE: 2023 02 04  
DATE OF EXPIRATION OF PATENT RESTORATION TERM: 2024 02 04

---

## TRANSFER OF RIGHT

(21) AU 2020 15677  
(11) U 2022 2140 Y  
(54) SCREW PILE  
NAME AND ADDRESS OF NEW PATENT OWNER: LLC "Zavod Metalicheskikh Agrazhdeniy" (RU)  
Promishlenniy Proezd, Building 3, office 201, 620137,  
Ekaterinburg, Russian Federation (RU)  
NAME AND ADDRESS OF FORMER PATENT OWNER: Ana Anatoli's daughter Kazak (RU)  
85/1 1905 Street, ap. 35, Novosibirsk, Russian  
Federation (RU)  
DATE OF REGISTRATION: 2024 02 05

---

## DESIGNS

### CANCELLATION OF DESIGN REGISTRATION

(11) D 2019 804 S  
(73) LTD "Irnero" (GE)  
Sanapiro St. 2A, 0105, Tbilisi, Georgia (GE)  
(54) 1. 11. WINDOW PROPHILE, 12. WINDOW  
(18) 2023 07 18  
(58) 2024 02 14

---

### EXTENSION OF TERM OF INTERNATIONAL DESIGNS REGISTRATION

(11) DM/200 356  
(73) Harry Winston SA  
Chemin Du Tourbillon 8, 1228 Plan-Les-Ouates (CH)  
(15) 2019 01 17  
(24) 2019 01 17  
(18) 2029 01 17  
(28) 5  
(28') 5  
(54) 1. WATCH CASE, 2. DIAL, 3. WATCH CASE, 4. WATCH CASE, 5. WATCH CASE

---

(11) DM/200 451  
(73) Rado Uhren AG (Rado Watch Co. LTD.) (Montres Rado SA)  
Bielstrasse 45, 2543 Lengnau (CH)  
(15) 2019 01 08  
(24) 2019 01 08  
(18) 2029 01 08  
(28) 4  
(28') 4  
(54) 1.-4. WATCH

---

(11) DM/200 546  
(73) Hamilton International AG (Hamilton International SA) (Hamilton International Ltd)  
Mattenstrasse 149, 2503 Biel/Bienne (CH)  
(15) 2018 12 21  
(24) 2018 12 21  
(18) 2028 12 21  
(28) 6  
(28') 4  
(54) 1. DIAL, 2. WATCH, 3.-6. DIAL

---

(11) DM/200 690  
(73) Harry Winston SA  
Chemin du Tourbillon 8, 1228 Plan-Les-Ouates (CH)  
(15) 2019 01 30  
(24) 2019 01 30  
(18) 2029 01 30  
(28) 6

---

---

(28') 6  
(54) 1. OSCILLATING WEIGHT, 2.-5. DIAL, 6. WRISTWATCH CASE

---

(11) DM/200 696  
(73) Harry Winston SA  
Chemin du Tourbillon 8, 1228 Plan-Les-Ouates (CH)  
(15) 2019 01 31  
(24) 2019 01 31  
(18) 2029 01 31  
(28) 2  
(28') 2  
(54) 1. NECKLACE, 2. FINGER RING

---

(11) DM/200 699  
(73) Harry Winston SA  
Chemin Du Tourbillon 8, 1228 Plan-Les-Ouates (CH)  
(15) 2019 01 14  
(24) 2019 01 14  
(18) 2029 01 14  
(28) 1  
(28') 1  
(54) 1. EARRINGS

---

(11) DM/200 706  
(73) Swatch AG (Swatch SA) (Swatch LTD.)  
Jakob-Stämpfli-Strasse 94, 2502 BIEL/BIENNE (CH)  
(15) 2019 01 15  
(24) 2019 01 15  
(18) 2029 01 15  
(28) 1  
(28') 1  
(54) 1. WATCH CASE

---

(11) DM/200 707  
(73) Swatch AG (Swatch SA) (Swatch LTD.)  
Jakob-Stämpfli-Strasse 94, 2502 Biel/Bienne (CH)  
(15) 2019 01 15  
(24) 2019 01 15  
(18) 2029 01 15  
(28) 1  
(28') 1  
(54) 1. WATCH CASE

---

(11) DM/200 716  
(73) Swatch AG (Swatch SA) (Swatch LTD.)  
Jakob-Stämpfli-Strasse 94, 2502 Biel/Bienne (CH)  
(15) 2019 01 28  
(24) 2019 01 28  
(18) 2029 01 28  
(28) 4  
(28') 4  
(54) 1. WATCH MOVEMENT, 2.-4. WATCH HAND

---

(11) DM/201 922  
(73) Asaş Alüminyum Sanayi Ve Ticaret Anonim Şirketi  
Rüzgarlı Bahçe Mahallesi Kumlu Sokak No:2 ASAŞ İş Merkezi Kavacık, Beykoz, 34810 Istanbul (TR)  
(15) 2019 04 26  
(24) 2019 04 26  
(18) 2029 04 26  
(28) 19  
(28') 19  
(54) 1.-19. PROFILE

---

(11) DM/202 611  
(73) Izabella Michalak  
Ul. Wiązowa 56, Lusówko, 62-080 Tarnowo Podgórne (PL)  
(15) 2019 01 30  
(24) 2019 01 30  
(18) 2029 01 30  
(28) 1  
(28') 1  
(54) 1. EXERCISING APPARATUS

---

(11) DM/64806  
(73) Rolex SA  
Rue François-Dussaud 3-5-7 Genève 24, CH-1211 (CH)  
(15) 2004 01 05  
(24) 2004 01 05  
(18) 2029 01 05  
(28) 1  
(28') 1  
(54) POINTER FOR INDICATING TIME

---

(11) DM/64818  
(73) Rolex SA  
Rue François-Dussaud 3-5-7 Genève 24 CH-1211 (CH)  
(15) 2004 01 05  
(24) 2004 01 05  
(18) 2029 01 05  
(28) 1  
(28') 1  
(54) WATCH CASE

---

(11) DM/66197  
(73) Tissot S.A  
17, chemin des Tourelles, CH-2400 LE LOCLE (CH)  
(15) 2004 12 28  
(24) 2004 12 28  
(18) 2029 12 28  
(28) 1  
(28') 1  
(54) WATCH CASE WITH BRACELET

---

(11) DM/82505  
(73) Dijo Baking Spółka Z O.O.  
Zabrodzie 28, PL-52-351 Wroclaw (PL)

---



(15) 2013 11 28  
(24) 2013 11 28  
(18) 2028 11 28  
(28) 1  
(28') 1  
(54) BAKERS' PRODUCT

---

(11) DM/82556  
(73) Soremartec S.A.  
Findel Business Center, Complexe B, Rue de Trèves, L-2632 Findel (BX)  
(15) 2013 12 19  
(24) 2013 12 19  
(18) 2028 12 19  
(28) 12  
(28') 8  
(54) BOTTLE, CONTAINER, CONTAINERS, JAR, PACKAGING

---

(11) DM/82566  
(73) Harry Winston SA  
Chemin du Tourbillon 8, CH-1228 Plan-les-Ouates (CH)  
(15) 2014 01 06  
(24) 2014 01 06  
(18) 2029 01 06  
(28) 2  
(28') 2  
(54) CUFF LINK, SHIRT BUTTON

---

(11) DM/82567  
(73) Omega SA (Omega AG) (Omega LTD.)  
Jakob-Stämpfli-Strasse 96, CH-2502 Biel/Bienne (CH)  
(15) 2014 01 07  
(24) 2014 01 07  
(18) 2029 01 07  
(28) 1  
(28') 1  
(54) SET OF CHARACTERS AND TYPOGRAPHIC SYMBOLS FOR PRINTING AND DIGITAL DISPLAY

---

(11) DM/82568  
(73) Omega SA (Omega AG) (Omega LTD.)  
Jakob-Stämpfli-Strasse 96, CH-2502 Biel/Bienne (CH)  
(15) 2014 01 07  
(24) 2014 01 07  
(18) 2029 01 07  
(28) 1  
(28') 1  
(54) WATCH CASE

---

(11) DM/82602  
(73) Hamilton International AG (Hamilton International SA) (Hamilton International LTD)  
Mattenstrasse 149, CH-2503 Biel/Bienne (CH)  
(15) 2014 01 09  
(24) 2014 01 09  
(18) 2029 01 09  
(28) 23

---

(28') 8  
(54) DIAL, OSCILLATING WEIGHT, WATCH, WATCH BRACELET, WATCH CASE, WRISTWATCH

---

(11) DM/82613  
(73) Tissot SA (Tissot AG) (Tissot LTD)  
Chemin des Tourelles 17, CH-2400 Le Locle (CH)  
(15) 2014 01 13  
(24) 2014 01 13  
(18) 2029 01 13  
(28) 2  
(28') 2  
(54) WATCH BRACELET, WATCH CASE

---

(11) DM/82629  
(73) Dernek Grup Elektrik Elektronik Dış Ticaret Ve Sanayi Limited Şirketi  
İstanbul Trakya Serbest Bölgesi Ferhatpaşa Sb Mah Sümbül Sok. No:5/41 Çatalca, İSTANBUL (TR)  
(15) 2013 11 25  
(24) 2013 11 25  
(18) 2028 11 25  
(28) 9  
(28') 8  
(54) FUSE BOX, PLUGS, SOCKET, SWITCH, SWITCHES

---

(11) DM/82638  
(73) Rado Uhren AG (Rado Watch Co. LTD.) (Montres Rado SA)  
Bielstrasse 43, CH-2543 Lengnau (CH)  
(15) 2014 01 17  
(24) 2014 01 17  
(18) 2029 01 17  
(28) 1  
(28') 1  
(54) WRISTWATCH

---

(11) DM/82639  
(73) Omega SA (Omega AG) (Omega LTD.)  
Jakob-Stämpfli-Strasse 96, CH-2502 Biel/Bienne (CH)  
(15) 2014 01 17  
(24) 2014 01 17  
(18) 2029 01 17  
(28) 2  
(28') 2  
(54) DIALS

---

(11) DM/82675  
(73) Tissot SA (Tissot AG) (Tissot LTD)  
Chemin des Tourelles 17, CH-2400 Le Locle (CH)  
(15) 2014 01 13  
(24) 2014 01 13  
(18) 2029 01 13  
(28) 5  
(28') 5  
(54) WATCH BRACELET, WATCH CASES

---

- (11) DM/82768
  - (73) Glashütter Uhrenbetrieb GMBH  
Altenberger Straße 1, 01768 Glashütte (DE)
  - (15) 2014 01 30
  - (24) 2014 01 30
  - (18) 2029 01 30
  - (28) 7
  - (28') 7
  - (54) CLASP FOR WATCH BRACELET, DIALS, WATCH CASE, WATCHES
-

**TRADEMARKS****EXTENSION OF TERM OF TRADEMARKS REGISTRATION**

(111) M 2004 15414 R2

(151) 2004 02 02

(186) 2034 02 02

(732) LTD "GM Pharmaceuticals"

Rustavi Highway 52, 0114, Tbilisi, Georgia

---

(111) M 2003 15186 R2

(151) 2003 06 27

(186) 2033 06 27

(732) Mattel Incorporated

333 Continental Boulevard, El Segundo,  
California 90245, USA

---

(111) M 2004 15413 R2

(151) 2004 02 02

(186) 2034 02 02

(732) KImberly-Clark Worldwide Inc.

Neenah, WI 54956, USA

---

(111) M 2004 15485 R2

(151) 2004 03 31

(186) 2034 03 31

(732) Wyborowa S.A.

Ul. Janikowska 23, 61-070 Poznań, Poland

---

(111) M 2004 15433 R2

(151) 2004 02 27

(186) 2034 02 27

(732) LTD "Talisman"

Tskvedadze St. 28, 0162, Vake-Saburtalo  
District, Tbilisi, Georgia

---

(111) M 2004 15438 R2

(151) 2004 02 27

(186) 2034 02 27

(732) Kimberly-Clark Worldwide Inc.

Neenah, WI 54956, USA

---

(111) M 2004 15439 R2

(151) 2004 02 27

(186) 2034 02 27

(732) Affinity Petcare S.A.

Plaza Europa 54-56, 08902 L'Hospitalet  
de Llobregat, Barselona, Spain

---

(111) M 2004 15462 R2

(151) 2004 03 15

(186) 2034 03 15

(732) Basf Agro B.V., Arnhem (NL),

Zweigniederlassung Freienbach  
Huobstrasse 3, 8808 Pfeffikon SZ,  
Switzerland

---

(111) M 2004 15463 R2

(151) 2004 03 15

(186) 2034 03 15

(732) Basf Agro B.V., Arnhem (NL),

Zweigniederlassung Freienbach  
Huobstrasse 3, 8808 Pfeffikon SZ,  
Switzerland

---

(111) M 2004 15464 R2

(151) 2004 03 15

(186) 2034 03 15

(732) Basf SE

Carl-Bosch-Strasse 38, Ludwigshafen  
am Rhein, Germany

---

(111) M 2004 15465 R2

(151) 2004 03 15

(186) 2034 03 15

(732) Basf SE

Carl-Bosch-Strasse 38, Ludwigshafen  
am Rhein, Germany

---

(111) M 2004 15798 R2

(151) 2004 12 15

(186) 2034 12 15

(732) Klosterfrau Zürich AG

Seestrasse 127, 8002 Zürich, Switzerland

---

(111) M 2004 15430 P R2

(151) 2004 02 27

(186) 2034 02 27

(732) LTD "Talisman"

Tskvedadze St. 28, 0162, Vake-Saburtalo  
District, Tbilisi, Georgia

---

(111) M 2004 15392P R2

(151) 2004 01 15

(186) 2034 01 15

(732) Obshchestvo s Ogranichennoy Otvetstven-  
nostiu "Management Company Alliance"

---

(OOO "UK Alliance")  
Ryabinovaya St., Dom 26, bld. 1, floor 7,  
room 4, 121471, Moscow, Russian  
Federation

---

(111) M 1994 407 R3  
(151) 1994 11 11  
(186) 2034 11 11  
(732) Exxon Mobil COporation  
a New Jersey Corporation  
22777 Spingwoods Village Parkway,  
Spring, TX 77389, USA

---

(111) M 2014 24488 R1  
(151) 2014 02 18  
(186) 2034 02 18  
(732) Berlin-Chemie AG  
Glienicke Weg 125, 12489 Berlin, Germany

---

(111) M 2013 23856 R1  
(151) 2013 07 19  
(186) 2033 07 19  
(732) Gia Tikaradze  
Ilia Chavchavadze St. 15, 4200, Signagi,  
Georgia

---

(111) M 2013 24262 R1  
(151) 2013 11 18  
(186) 2033 11 18  
(732) LTD "Suchman Vines Georgia"  
Vill. Kisiskhevi, 2200, Telavi Region, Georgia

---

(111) M 2013 24213 R1  
(151) 2013 11 04  
(186) 2033 11 04  
(732) Gia Tikaradze  
Ilia Chavchavadze St. 15, 4200, Signagi,  
Georgia

---

(111) M 2013 24050 R1  
(151) 2013 09 17  
(186) 2033 09 17  
(732) Bausch & Lomb Incorporated  
One Bausch & Lomb, Rochester, New York  
14604, USA

---

(111) M 2013 24342 R1  
(151) 2013 12 13  
(186) 2033 12 13  
(732) Mattel Inc.  
333 Continental Boulevard, El Segundo,  
California 90245-5012, USA

---

(111) M 2013 24343 R1  
(151) 2013 12 13  
(186) 2033 12 13  
(732) Mattel Inc.  
333 Continental Boulevard, El Segundo,  
California 90245-5012, USA

---

(111) M 2014 24880 R1  
(151) 2014 06 13  
(186) 2034 06 13  
(732) Maharishi Vedic Universiti Limitid  
54 triq marsamqseti VLT 1853 valeta, Malta

---

(111) M 2013 24279 R1  
(151) 2013 11 18  
(186) 2033 11 18  
(732) LLC "Football Club Dinamo Tbilisi"  
Dighomi, III qu., Football-Coaching Base,  
0159, Tbilisi Georgia

---

(111) M 2014 24793 R1  
(151) 2014 05 30  
(186) 2034 05 30  
(732) LTD "GM Pharmaceuticals"  
Rustavi Highway 52, 0114, Tbilisi, Georgia

---

(111) M 2014 24420 R1  
(151) 2014 01 21  
(186) 2034 01 21  
(732) Emilio Pucci International S.R.L.  
Via Fieno 3 Cap 20123, Milano, Italy

---

(111) M 2014 24423 R1  
(151) 2014 01 21  
(186) 2034 01 21  
(732) Marriott Worldwide Corporation  
7750 Wisconsin Avenue, Bethesda,  
Maryland 20814, USA

---

(111) M 2014 24424 R1  
(151) 2014 01 21  
(186) 2034 01 21  
(732) Marriott Worldwide Corporation  
7750 Wisconsin Avenue, Bethesda,  
Maryland 20814, USA

---

(111) M 2014 24461 R1  
(151) 2014 02 03  
(186) 2034 02 03  
(732) JDB Asset Management Limited  
Unit 3806-10, 38/F, Cosco Tower, Grand

---

Millennium Plaza, 183 Queen's Road Central,  
Hong Kong

---

(111) M 2014 24496 R1  
(151) 2014 02 18  
(186) 2034 02 18  
(732) LTD "GM Pharmaceuticals"  
Rustavi Highway 52, 0114, Tbilisi, Georgia

---

(111) M 2014 24497 R1  
(151) 2014 02 18  
(186) 2034 02 18  
(732) LTD "GM Pharmaceuticals"  
Rustavi Highway 52, 0114, Tbilisi, Georgia

---

(111) M 2014 24600 R1  
(151) 2014 03 31  
(186) 2034 03 31  
(732) Kintoy Die-Casting Manufactory Limited  
Room 1716-17, North Tower, Concordia  
Plaza, 1 Sciencew Museum Road, Tsimshatsui  
East, Kowloon, Hong Kong SAR, China

---

(111) M 2014 24606 R1  
(151) 2014 03 31  
(186) 2034 03 31  
(732) Royal Armenia JV LLC  
Haghtanak 1st St. 1st lane/16, Ajapnyak,  
Yerevan, 0036, Armenia

---

(111) M 2014 24607 R1  
(151) 2014 03 31  
(186) 2034 03 31  
(732) Royal Armenia JV LLC  
Haghtanak 1st St. 1st lane/16, Ajapnyak,  
Yerevan, 0036, Armenia

---

(111) M 2014 24608 R1  
(151) 2014 03 31  
(186) 2034 03 31  
(732) Royal Armenia JV LLC  
Haghtanak 1st St. 1st lane/16, Ajapnyak,  
Yerevan, 0036, Armenia

---

(111) M 2014 24464 R1  
(151) 2014 02 03  
(186) 2034 02 03  
(732) IBay Inc.  
2025 Hamilton Avenue, San Jose, CA 95125,  
USA

---

(111) M 2014 24465 R1  
(151) 2014 02 03  
(186) 2034 02 03  
(732) China FAW Corporation Limited  
No 2259, Dongfeng Street, National  
Changchun Xixin Economic-Technological  
Development Area, Jilin Province, China

---

(111) M 2014 24560 R1  
(151) 2014 03 12  
(186) 2034 03 12  
(732) Hino Jidosha Kabushiki Kaisha  
(Also trading as Hino Motors, Ltd)  
1-1, Hinodai 3-Chome, Hino-Shi, Tokyo,  
Japan

---

(111) M 2014 24467 R1  
(151) 2014 02 03  
(186) 2034 02 03  
(732) Karen Akopian  
R. Tabukashvili St.2, 0800, Akhaltsikhe,  
Georgia

---

(111) M 2014 24468 R1  
(151) 2014 02 03  
(186) 2034 02 03  
(732) Karen Akopian  
R. Tabukashvili St.2, 0800, Akhaltsikhe,  
Georgia

---

(111) M 2014 24610 R1  
(151) 2014 03 31  
(186) 2034 03 31  
(732) The B.V.D.Licensing Corporation  
One Fruit of the Loom Drive, Bowling Green,  
Kentucky 42102-9015, USA

---

(111) M 2014 24474 R1  
(151) 2014 02 03  
(186) 2034 02 03  
(732) LTD "Tiflissky Vinny Pogreb"  
Iumashev St. 27, 0198, Tbilisi, Georgia

---

(111) M 2014 24476 R1  
(151) 2014 02 03  
(186) 2034 02 03  
(732) Starbucks Corporation  
2401 Utah Avenue South, Seattle,  
Washington 98134, USA

---

(111) M 2014 24569 R1  
(151) 2014 03 12  
(186) 2034 03 12  
(732) Pharmaceutical Chemical Cosmetic  
Industry Alkaloid AD-Skopje  
Bul. Aleksandar Makedonski., 12, 1000  
Skopje, The Republic of North Macedonia

---

(111) M 2014 24515 R1  
(151) 2014 02 18  
(186) 2034 02 18  
(732) LTD "Alfa"  
Tevdore Mghvdeli St. 53, 0154, Tbilisi,  
Georgia

---

(111) M 2014 24673 R1  
(151) 2014 04 15  
(186) 2034 04 15  
(732) LTD "GM Pharmaceuticals"  
Rustavi Highway 52, 0114, Tbilisi, Georgia

---

(111) M 2014 25161 R1  
(151) 2014 09 10  
(186) 2034 09 10  
(732) JSC "Telavi Vine Cellar"  
Vill. Kurdghelauri, 2200, Telavi, Georgia

---

(111) M 2014 24576 R1  
(151) 2014 03 12  
(186) 2034 03 12  
(732) Six Continents Limited  
Broadwater Park, Denham, Buckinghamshire  
UB9 5HR, United Kingdom

---

(111) M 2014 24677 R1  
(151) 2014 04 15  
(186) 2034 04 15  
(732) LTD "GM Pharmaceuticals"  
Rustavi Highway 52, 0114, Tbilisi, Georgia

---

(111) M 2014 24835 R1  
(151) 2014 05 30  
(186) 2034 05 30  
(732) LTD "GM Pharmaceuticals"  
Rustavi Highway 52, 0114, Tbilisi, Georgia

---

(111) M 2014 24629 R1  
(151) 2014 03 31  
(186) 2034 03 31  
(732) Wrangler Apparel Corp.  
3411 Silverside Road, Wilmington, Delaware  
19810, USA

---

(111) M 2014 24840 R1  
(151) 2014 05 30  
(186) 2034 05 30  
(732) LTD "Barambo"  
Vill. Natakhtari, 3308, Mtskheta, Georgia

---

(111) M 2014 24689 R1  
(151) 2014 04 15  
(186) 2034 04 15  
(732) LTD "GM Pharmaceuticals"  
Rustavi Highway 52, 0114, Tbilisi, Georgia

---

(111) M 2014 24758 R1  
(151) 2014 05 07  
(186) 2034 05 07  
(732) Chevron Intellectual Property LLC  
6001 Bollinger Canyon Road, San Ramon,  
CA 94583, USA

---

(111) M 2014 24760 R1  
(151) 2014 05 07  
(186) 2034 05 07  
(732) Chevron Intellectual Property LLC  
6001 Bollinger Canyon Road, San Ramon,  
CA 94583, USA

---

(111) M 2014 24761 R1  
(151) 2014 05 07  
(186) 2034 05 07  
(732) Chevron Intellectual Property LLC  
6001 Bollinger Canyon Road, San Ramon,  
CA 94583, USA

---

(111) M 2014 24762 R1  
(151) 2014 05 07  
(186) 2034 05 07  
(732) Chevron Intellectual Property LLC  
6001 Bollinger Canyon Road, San Ramon,  
CA 94583, USA

---

(111) M 2014 24763 R1  
(151) 2014 05 07  
(186) 2034 05 07  
(732) Chevron Intellectual Property LLC  
6001 Bollinger Canyon Road, San Ramon,  
CA 94583, USA

---

(111) M 2014 24764 R1  
(151) 2014 05 07  
(186) 2034 05 07  
(732) Chevron Intellectual Property LLC  
6001 Bollinger Canyon Road, San Ramon,

<p>CA 94583, USA</p> <hr/> <p>(111) M 2014 24765 R1          (151) 2014 05 07          (186) 2034 05 07          (732) Chevron Intellectual Property LLC          6001 Bollinger Canyon Road, San Ramon,          CA 94583, USA</p> <hr/> <p>(111) M 2014 24766 R1          (151) 2014 05 07          (186) 2034 05 07          (732) Chevron Intellectual Property LLC          6001 Bollinger Canyon Road, San Ramon,          CA 94583, USA</p> <hr/> <p>(111) M 2014 24767 R1          (151) 2014 05 07          (186) 2034 05 07          (732) Chevron Intellectual Property LLC          6001 Bollinger Canyon Road, San Ramon,          CA 94583, USA</p> <hr/> <p>(111) M 2014 24768 R1          (151) 2014 05 07          (186) 2034 05 07          (732) Chevron Intellectual Property LLC          6001 Bollinger Canyon Road, San Ramon,          CA 94583, USA</p> <hr/> <p>(111) M 2014 24770 R1          (151) 2014 05 07          (186) 2034 05 07          (732) Chevron Intellectual Property LLC          6001 Bollinger Canyon Road, San Ramon,          CA 94583, USA</p> <hr/> <p>(111) M 2014 24691 R1          (151) 2014 04 15          (186) 2034 04 15          (732) LTD "GM Pharmaceuticals"          Rustavi Highway 52, 0114, Tbilisi, Georgia</p> <hr/> <p>(111) M 2014 24692 R1          (151) 2014 04 15          (186) 2034 04 15          (732) LTD "GM Pharmaceuticals"          Rustavi Highway 52, 0114, Tbilisi, Georgia</p> <hr/>	<p>(111) M 2014 25015 R1          (151) 2014 07 08          (186) 2034 07 08          (732) Toyota Jidosha Kabushiki Kaisha          (also trading as Toyota Motor Corporation)          1, Toyota-Cho, Toyota-Shi, Aichi-Ken, Japan</p> <hr/> <p>(111) M 2014 25020 R1          (151) 2014 07 08          (186) 2034 07 08          (732) AbbVie Inc.          a corporation of the State of Delaware          1 N. Waukegan Road, North Chicago, Illinois          60064, USA</p> <hr/> <p>(111) M 2014 25411 R1          (151) 2014 11 25          (186) 2034 11 25          (732) Sayidat Alsalam FZE          Workstation No. S10123 O101 WS67, Jebel          Ali Free Zone, Dubai, United Arab Emirates</p> <hr/> <p>(111) M 2013 23841 R1          (151) 2013 07 18          (186) 2033 07 18          (732) Medac Gesellschaft Für Klinische          Spezialpräparate mbH          Theaterstrasse 6, 22880 Wedel, Germany</p> <hr/> <p>(111) M 2015 25620 R1          (151) 2015 01 27          (186) 2035 01 27          (732) JSC "Telavi Vine Cellar"          Vill. Kurdghelauri, 2200, Telavi, Georgia</p> <hr/> <p>(111) M 2015 25621 R1          (151) 2015 01 27          (186) 2035 01 27          (732) JSC "Telavi Vine Cellar"          Vill. Kurdghelauri, 2200, Telavi, Georgia</p> <hr/> <p>(111) M 2014 24481 R1          (151) 2014 02 03          (186) 2034 02 03          (732) Carlsberg Breweries A/S          J.C. Jacobsens Gade 1, 1799 København V.,          Denmark</p> <hr/> <p>(111) M 2014 24695 R1          (151) 2014 04 22          (186) 2034 04 22          (732) LLC "PSP Insurance"</p>
---	---



Davit Aghmashenebeli Av. 148, 0112, Tbilisi,  
Georgia

---

(111) M 2014 24877 R1

(151) 2014 06 09

(186) 2034 06 09

(732) JSC "Miso Intelepress"

Davit Aghmashenebeli Av. 89/24, 0102,  
Didube District, Tbilisi, Georgia

---

## COMPLETE TRANSFER OF RIGHTS

(111) M 2020 32865 R  
(732) The Body Shop International Limited  
Watersmead, Littlehampton, West Sussex,  
BN17 6LS, United Kingdom  
(770) JSC "Gepha"  
Akaki Belashvili St. 142, 0159, Tbilisi,  
Georgia  
(580) 2024 01 16

---

(111) M 2020 33226 R  
(732) The Body Shop International Limited  
Watersmead, Littlehampton, West Sussex,  
BN17 6LS, United Kingdom  
(770) JSC "Gepha"  
Akaki Belashvili St. 142, 0159, Tbilisi,  
Georgia  
(580) 2024 01 16

---

(111) M 2023 37255 R  
(732) "International Masis Tabak" LLC  
10 Hrant Vardanyan str., 0802 Masis,  
Ararat region, Armenia  
(770) Mikael Vardanyan  
Bairon St. 3, Ap. 38, Yerevan, Armenia  
(580) 2023 11 01

---

(111) M 1996 2369 R  
(732) Covestro Deutschland AG  
Kaiser-Wilhelm-Alee 60, 51373 Leverkusen,  
Germany  
(770) Covestro Intellectual Property GmbH &  
Co. KG  
Kaiser-Wilhelm-Allee 60, 51373 Leverkusen,  
Germany  
(580) 2023 12 26

---

(111) M 1996 3719 R  
(732) Covestro Deutschland AG  
Kaiser-Wilhelm-Alee 60, 51373 Leverkusen,  
Germany  
(770) Covestro Intellectual Property GmbH & Co.  
KG  
Kaiser-Wilhelm-Allee 60, 51373 Leverkusen,  
Germany  
(580) 2023 12 26

---

(111) M 1995 744 R  
(732) Covestro Deutschland AG  
Kaiser-Wilhelm-Alee 60, 51373 Leverkusen,  
Germany

(770) Covestro Intellectual Property GmbH &  
Co. KG  
Kaiser-Wilhelm-Allee 60, 51373 Leverkusen,  
Germany  
(580) 2023 12 26

---

(111) M 1996 4186 R  
(732) Covestro Deutschland AG  
Kaiser-Wilhelm-Alee 60, 51373 Leverkusen,  
Germany  
(770) Covestro Intellectual Property GmbH &  
Co. KG  
Kaiser-Wilhelm-Allee 60, 51373 Leverkusen,  
Germany  
(580) 2023 12 26

---

(111) M 1996 1511 R  
(732) Covestro Deutschland AG  
Kaiser-Wilhelm-Alee 60, 51373 Leverkusen,  
Germany  
(770) Covestro Intellectual Property GmbH &  
Co. KG  
Kaiser-Wilhelm-Allee 60, 51373 Leverkusen,  
Germany  
(580) 2023 12 26

---

(111) M 1996 1509 R  
(732) Covestro Deutschland AG  
Kaiser-Wilhelm-Alee 60, 51373 Leverkusen,  
Germany  
(770) Covestro Intellectual Property GmbH &  
Co. KG  
Kaiser-Wilhelm-Allee 60, 51373 Leverkusen,  
Germany  
(580) 2023 12 26

---

(111) M 1996 1505 R  
(732) Covestro Deutschland AG  
Kaiser-Wilhelm-Alee 60, 51373 Leverkusen,  
Germany  
(770) Covestro Intellectual Property GmbH &  
Co. KG  
Kaiser-Wilhelm-Allee 60, 51373 Leverkusen,  
Germany  
(580) 2023 12 26

---

(111) M 1996 1507 R  
(732) Covestro Deutschland AG  
Kaiser-Wilhelm-Alee 60, 51373 Leverkusen,  
Germany

(770) Covestro Intellectual Property GmbH & Co.  
KG  
Kaiser-Wilhelm-Allee 60, 51373 Leverkusen,  
Germany  
(580) 2023 12 26

---

(111) M 1996 1510 R  
(732) Covestro Deutschland AG  
Kaiser-Wilhelm-Allee 60, 51373 Leverkusen,  
Germany  
(770) Covestro Intellectual Property GmbH & Co.  
KG  
Kaiser-Wilhelm-Allee 60, 51373 Leverkusen,  
Germany  
(580) 2023 12 26

---

(111) M 2005 16176 R  
(732) "International Masis Tabak" LLC  
10 Hrant Vardanyan str., 0802 Masis,  
Ararat region, Armenia  
(770) Mikayel Vardanyan  
Bairon St. 3, Ap. 38, Yerevan, Armenia  
(580) 2023 12 19

---

(111) M 1996 1504 R  
(732) Covestro Deutschland AG  
Kaiser-Wilhelm-Allee 60, 51373 Leverkusen,  
Germany  
(770) Covestro Intellectual Property  
GmbH & Co. KG  
Kaiser-Wilhelm-Allee 60, 51373 Leverkusen,  
Germany  
(580) 2023 12 26

---

(111) M 1996 3728 R  
(732) Covestro Deutschland AG  
Kaiser-Wilhelm-Allee 60, 51373 Leverkusen,  
Germany  
(770) Covestro Intellectual Property GmbH & Co.  
KG  
Kaiser-Wilhelm-Allee 60, 51373 Leverkusen,  
Germany  
(580) 2023 12 26

---

(111) M 1996 1358 R  
(732) Covestro Deutschland AG  
Kaiser-Wilhelm-Allee 60, 51373 Leverkusen,  
Germany  
(770) Covestro Intellectual Property GmbH & Co.  
KG  
Kaiser-Wilhelm-Allee 60, 51373 Leverkusen,  
Germany  
(580) 2023 12 26

---

(111) M 1996 3735 R  
(732) Covestro Deutschland AG  
Kaiser-Wilhelm-Allee 60, 51373 Leverkusen,  
Germany  
(770) Covestro Intellectual Property GmbH & Co.  
KG  
Kaiser-Wilhelm-Allee 60, 51373 Leverkusen,  
Germany  
(580) 2023 12 26

---

## CHANGES OF NAME AND/OR ADDRESS OF TRADEMARKS OWNERS

- 
- (111) M 2019 31703 R  
(732) Marriott Worldwide Corporation  
7750 Wisconsin Avenue, Bethesda,  
Maryland 20814, USA  
(770) Marriott Worldwide Corporation  
10400 Fernwood Road, Bethesda,  
Maryland 20817, USA  
(580) 2023 12 11
- 
- (111) M 2019 31704 R  
(732) Marriott Worldwide Corporation  
7750 Wisconsin Avenue, Bethesda,  
Maryland 20814, USA  
(770) Marriott Worldwide Corporation  
10400 Fernwood Road, Bethesda,  
Maryland 20817, USA  
(580) 2023 12 11
- 
- (111) M 2019 32148 R  
(732) Sheraton International IP, LLC  
7750 Wisconsin Avenue, Bethesda, Maryland  
20814, USA  
(770) Sheraton International IP, LLC  
Uan Starpointi, Stamfordi, Koneqtikuti  
06902, USA  
(580) 2023 12 15
- 
- (111) M 2021 33875 R  
(732) LTD "Georgian Agro Products"  
Mtskheta St. 20/Besik Burkiashvili St. 3,  
Ent. 1, floor 9, ap. 24, Vake District, Tbilisi,  
Georgia  
(770) LTD "Georgian Agro Products"  
Chirnakhuli St. 2, Tbilisi, Georgia  
(580) 2024 01 25
- 
- (111) M 2021 34096 R  
(732) Marriott Worldwide Corporation  
7750 Wisconsin Avenue, Bethesda, Maryland  
20814, USA  
(770) Marriott Worldwide Corporation  
10400 Fernwood Road, Bethesda, Maryland  
20817, USA  
(580) 2023 12 11
- 
- (111) M 2021 34215 R  
(732) Marriott Worldwide Corporation  
7750 Wisconsin Avenue, Bethesda, Maryland  
20814, USA
- (770) Marriott Worldwide Corporation  
10400 Fernwood Road, Bethesda, Maryland  
20817, USA  
(580) 2023 12 11
- (770) Marriott Worldwide Corporation  
10400 Fernwood Road, Bethesda, Maryland  
20817, USA  
(580) 2023 12 11
- (770) Marriott Worldwide Corporation  
7750 Wisconsin Avenue, Bethesda, Maryland  
20814, USA  
(580) 2023 12 11
- 
- (111) M 2021 34097 R  
(732) Marriott Worldwide Corporation  
7750 Wisconsin Avenue, Bethesda, Maryland  
20814, USA  
(770) Marriott Worldwide Corporation  
10400 Fernwood Road, Bethesda, Maryland  
20817, USA  
(580) 2023 12 11
- 
- (111) M 2021 34216 R  
(732) Marriott Worldwide Corporation  
7750 Wisconsin Avenue, Bethesda, Maryland  
20814, USA  
(770) Marriott Worldwide Corporation  
10400 Fernwood Road, Bethesda, Maryland  
20817, USA  
(580) 2023 12 11
- 
- (111) M 2022 35254 R  
(732) Marriott Worldwide Corporation  
7750 Wisconsin Avenue, Bethesda, Maryland  
20814, USA  
(770) Marriott Worldwide Corporation  
10400 Fernwood Road, Bethesda, Maryland  
20817, USA  
(580) 2023 12 11
- 
- (111) M 1998 11047 R  
(732) Sheraton International IP LLC  
7750 Wisconsin Avenue, Bethesda, Maryland  
20814, USA  
(770) Sheraton International IP, Llc  
One StarPoint, Stamford, Connecticut  
06902, USA  
(580) 2023 12 15
- 
- (111) M 1998 11048 R  
(732) Sheraton International IP LLC  
7750 Wisconsin Avenue, Bethesda, Maryland  
20814, USA  
(770) Sheraton International IP, Llc  
One StarPoint, Stamford, Connecticut  
06902, USA  
(580) 2023 12 15
-

(111) M 1999 11457 R  
(732) Westin Hotel Management L.P.  
7750 Wisconsin Avenue, Bethesda,  
Maryland 20814, USA  
(770) Westin Hotel Management L.P.  
One StarPoint, Stamford, CT 06902,  
USA  
(580) 2023 12 07

---

(111) M 1999 12598 R  
(732) Advanz Pharma Switzerland Sarl  
Rue de Jargonnant 2, c/o TMF Services SA,  
1201 Geneve, Switzerland  
(770) Correvio International Sarl  
Place des Alpes 4, 1201 Geneve,  
Switzerland  
(580) 2024 01 08

---

(111) M 2000 13341 R  
(732) Marriott Worldwide Corporation  
7750 Wisconsin Avenue, Bethesda, Maryland  
20814, USA  
(770) Marriott Worldwide Corporation  
10400 Fernwood Road, Bethesda, Maryland  
20817, USA  
(580) 2023 12 11

---

(111) M 2000 13342 R  
(732) Marriott Worldwide Corporation  
7750 Wisconsin Avenue, Bethesda, Maryland  
20814, USA  
(770) Marriott Worldwide Corporation  
10400 Fernwood Road, Bethesda, Maryland  
20817, USA  
(580) 2023 12 11

---

(111) M 2000 13343 R  
(732) Marriott Worldwide Corporation  
7750 Wisconsin Avenue, Bethesda, Maryland  
20814, USA  
(770) Marriott Worldwide Corporation  
10400 Fernwood Road, Bethesda, Maryland  
20817, USA  
(580) 2023 12 11

---

(111) M 2000 13344 R  
(732) Marriott Worldwide Corporation  
7750 Wisconsin Avenue, Bethesda, Maryland  
20814, USA  
(770) Marriott Worldwide Corporation  
10400 Fernwood Road, Bethesda, Maryland  
20817, USA  
(580) 2023 12 11

---

(111) M 2003 14862 R  
(732) Marriott Worldwide Corporation  
7750 Wisconsin Avenue, Bethesda, Maryland  
20814, USA  
(770) Marriott Worldwide corporation  
10400 Fernwood Road, Bethesda, Maryland  
20817, USA  
(580) 2023 12 11

---

(111) M 2003 14863 R  
(732) Marriott Worldwide Corporation  
7750 Wisconsin Avenue, Bethesda, Maryland  
20814, USA  
(770) Marriott Worldwide Corporation  
10400 Fernwood Road, Bethesda, Maryland  
20817, USA  
(580) 2023 12 11

---

(111) M 2003 14883 R  
(732) Marriott Worldwide Corporation  
7750 Wisconsin Avenue, Bethesda, Maryland  
20814, USA  
(770) Marriott Worldwide Corporation  
10400 Fernwood Road, Bethesda, Maryland  
20817, USA  
(580) 2023 12 11

---

(111) M 2003 15303 R  
(732) Advanz Pharma Switzerland Sarl  
Rue de Jargonnant 2, c/o TMF Services SA,  
1201 Geneve, Switzerland  
(770) Correvio International Sarl  
Place des Alpes 4, 1201 Geneve, Switzerland  
(580) 2024 01 08

---

(111) M 2004 15406 R  
(732) Egis GyógyszerGyár Zrt  
30-38, Keresztúri út., Budapest, H-1106,  
Hungary  
(770) Egis Gyógyszergyár Nyilvánosan Működő  
Részvénytársaság  
30-38, Keresztúri út., Budapest, H-1106,  
Hungary  
(580) 2024 01 22

---

(111) M 2004 15407 R  
(732) Egis Gyógyszergyár Zrt  
30-38, Keresztúri út., Budapest,  
H-1106, Hungary  
(770) Egis Gyógyszergyár Nyilvánosan Működő  
Részvénytársaság  
30-38, Keresztúri út., Budapest, H-1106,  
Hungary  
(580) 2024 01 22

---

(111) M 2004 15408 R  
(732) Egis Gyógyszergyár Zrt  
30-38, Keresztúri út., Budapest, H-1106,  
Hungary  
(770) Egis Gyógyszergyár Nyilvánosan Működő  
Részvénytársaság  
30-38, Keresztúri út., Budapest, H-1106,  
Hungary  
(580) 2024 01 22

---

(111) M 2004 15409 R  
(732) Egis Gyógyszergyár Zrt  
30-38, Keresztúri út., Budapest, H-1106,  
Hungary  
(770) Egis Gyógyszergyár Nyilvánosan  
Működő Részvénytársaság  
30-38, Keresztúri út., Budapest, H-1106,  
Hungary  
(580) 2024 01 22

---

(111) M 2009 19214 R  
(732) Marriott Worldwide Corporation  
7750 Wisconsin Avenue, Bethesda,  
Maryland 20814, USA  
(770) Marriott Worldwide Corporation  
10400 Fernvud Roudi, Betezda, Merilendi  
20817, USA  
(580) 2023 12 11

---

(111) M 2009 19232 R  
(732) Marriott Worldwide Corporation  
7750 Wisconsin Avenue, Bethesda, Maryland  
20814, USA  
(770) Marriott Worldwide Corporation  
10400 Fernwood Road, Bethesda, Maryland  
20817, USA  
(580) 2023 12 11

---

(111) M 2010 20204 R  
(732) Marriott Worldwide Corporation  
7750 Wisconsin Avenue, Bethesda, Maryland  
20814, USA  
(770) Marriott Worldwide Corporation  
10400 Fernwood Road, Bethesda, Maryland  
20817, USA  
(580) 2023 12 11

---

(111) M 2010 20515 R  
(732) Sheraton International IP LLC  
7750 Wisconsin Avenue, Bethesda, Maryland  
20814, USA  
(770) Sheraton International IP LLC  
One StarPoint, Stamford, Connecticut  
06902, USA

---

(580) 2023 12 15

---

(111) M 2011 21065 R  
(732) Marriott Worldwide Corporation  
7750 Wisconsin Avenue, Bethesda, Maryland  
20814, USA  
(770) Marriott Worldwide Corporation  
10400 Fernwood Road, Bethesda, Maryland  
20817, USA  
(580) 2023 12 11

---

(111) M 2011 21945 R  
(732) Sheraton International IP LLC  
7750 Wisconsin Avenue, Bethesda, Maryland  
20814, USA  
(770) Sheraton International IP LLC  
One StarPoint, Stamford, Connecticut  
06902, USA  
(580) 2023 12 15

---

(111) M 2011 22102 R  
(732) Marriott Worldwide Corporation  
a Maryland Corporation  
7750 Wisconsin Avenue, Bethesda, Maryland  
20814, USA  
(770) Marriott Worldwide Corporation  
a Maryland Corporation  
10400 Fernwood Road, Bethesda, Maryland  
20817, USA  
(580) 2023 12 11

---

(111) M 2011 22103 R  
(732) Marriott Worldwide Corporation,  
a Maryland Corporation  
7750 Wisconsin Avenue, Bethesda, Maryland  
20814, USA  
(770) Marriott Worldwide Corporation,  
a Maryland Corporation  
10400 Fernwood Road, Bethesda, Maryland  
20817, USA  
(580) 2023 12 11

---

(111) M 2012 22358 R  
(732) Joint Stock Company "H&N"  
Ul. Vyatskaya, bld. 27, bld. 13, M.o.  
Savelovski, Vn.Ter.G., 127015 Moscow,  
Russian Federation  
(770) AO "Danon Rossia"  
Ul. Vyatskaya, dom 27, bld. 13-14, 127015  
Moscow, Russian Federation  
(580) 2024 01 15

---

(111) M 2012 22373 R  
 (732) Joint Stock Company "H&N"  
 Ul. Vyatskaya, bld. 27, bld. 13, M.o.  
 Savelovski, Vn.Ter.G., 127015 Moscow,  
 Russian Federation  
 (770) JSC "Danon Russia"  
 Ul. Vyatskaya, dom 27, bld. 13-14, 127015  
 Moscow, Russian Federation  
 (580) 2024 01 15

(111) M 2013 23673 R  
 (732) Marriott Worldwide Corporation  
 7750 Wisconsin Avenue, Bethesda, Maryland  
 20814, USA  
 (770) Marriott Worldwide corporation  
 10400 Fernwood Road, Bethesda, Maryland  
 20817, USA  
 (580) 2023 12 11

(111) M 2012 23198 R  
 (732) Marriott Worldwide Corporation  
 7750 Wisconsin Avenue, Bethesda, Maryland  
 20814, USA  
 (770) Marriott Worldwide corporation  
 10400 Fernwood Road, Bethesda, Maryland  
 20817, USA  
 (580) 2023 12 11

(111) M 2013 24336 R  
 (732) Goya Foods Inc.  
 350 County Road, Jersey City, New Jersey  
 07307, USA  
 (770) Goya Foods Inc.  
 100, Seaview Drive, Secaucus, New Jersey  
 07096, USA  
 (580) 2023 12 12

(111) M 2013 24347 R  
 (732) Lenovo (Beijing) Limited  
 201-H2-6, 2nd Floor, Building 2, No. 6  
 Shangdi West Road, Haidian District,  
 Beijing 100085, China  
 (770) Lenovo (Beijing) Limited  
 No. 6, Chuengye Road, Shangdi Information  
 Industry Base, Haidian District, Beijing,  
 100085, China  
 (580) 2024 01 22

(111) M 2014 24423 R  
 (732) Marriott Worldwide Corporation  
 7750 Wisconsin Avenue, Bethesda, Maryland  
 20814, USA  
 (770) Marriott Worldwide Corporation  
 10400 Fernwood Road, Bethesda, Maryland  
 20817, USA

(580) 2023 12 11

(111) M 2014 24424 R  
 (732) Marriott Worldwide Corporation  
 7750 Wisconsin Avenue, Bethesda, Maryland  
 20814, USA  
 (770) Marriott Worldwide Corporation  
 10400 Fernwood Road, Bethesda, Maryland  
 20817, USA  
 (580) 2023 12 11

(111) M 2014 24425 R  
 (732) Marriott Worldwide Corporation  
 7750 Wisconsin Avenue, Bethesda, Maryland  
 20814, USA  
 (770) Marriott Worldwide Corporation  
 10400 Fernwood Road, Bethesda, Maryland  
 20817, USA  
 (580) 2023 12 11

(111) M 2013 24287 R  
 (732) DecoArt, LLC.  
 P.O. Box 297, Stanford, Kentucky 40484, USA  
 (770) DecoArt, Inc., a Kentucky corporation  
 P.O. Box 297, Stanford, Kentucky 40484,  
 USA  
 (580) 2024 01 22

(111) M 2014 24542 R  
 (732) Hi-Tec Sports International Holdings B.V.  
 Keizersgracht 391 A, 1016 EJ Amsterdam,  
 Netherlands  
 (770) Hi-Tec Sports International Holdings B.V.  
 Paasheuvelweg 22A, 1105 BJ, Amsterdam  
 Zuidoost, Netherlands  
 (580) 2024 01 09

(111) M 1999 12536 R  
 (732) Kabushiki Kaisha Hitachi Seisakusho  
 (Also Trading As Hitachi LTD)  
 6-6, Marunouchi 1-chome, Chiyoda-ku,  
 Tokyo, Japan  
 (770) Kabushiki Kaisha Hitachi Seisakusho  
 (Also Trading As Hitachi LTD)  
 6 Kanda-Surugadai, 4, Chome Chiyoda-ku,  
 Tokyo, Japan  
 (580) 2024 01 22

(111) M 1999 12537 R  
 (732) Kabushiki Kaisha Hitachi Seisakusho  
 (Also Trading As Hitachi LTD)  
 6-6, Marunouchi 1-chome, Chiyoda-ku,  
 Tokyo, Japan

(770) Kabushiki Kaisha Hitachi Seisakusho  
 (Also Trading As Hitachi LTD)  
 6 Kanda-Surugadai, 4, Chome Chiyoda-ku,  
 Tokyo, Japan  
 (580) 2024 01 22

---

(111) M 1999 12538 R  
 (732) KABushiki Kaisha Hitachi Seisakusho  
 (Also Trading As Hitachi LTD)  
 6-6, Marunouchi 1-chome, Chiyoda-ku,  
 Tokyo, Japan  
 (770) Kabushiki Kaisha Hitachi Seisakusho  
 (Also Trading As Hitachi LTD)  
 6 Kanda-Surugadai, 4, Chome Chiyoda-ku,  
 Tokyo, Japan  
 (580) 2024 01 22

---

(111) M 2014 24570 R  
 (732) LTD "Beauty Life"  
 Petre Kavtaradze St. 20D, Commercial  
 Space 5, floor. 3, Tbilisi, Georgia  
 (770) LTD "Beauty Life"  
 Gagarin St., Lane 2/5-4, fl. 3, Office Space 4,  
 0160, Tbilisi, Georgia  
 (580) 2024 01 26

---

(111) M 2014 24860 R  
 (732) Marriott Worldwide Corporation  
 7750 Wisconsin Avenue, Bethesda, Maryland  
 20814, USA  
 (770) Marriott Worldwide Corporation  
 10400 Fernwood Road, Bethesda, Maryland  
 20817, USA  
 (580) 2023 12 11

---

(111) M 2015 25988 R  
 (732) Marriott Worldwide Corporation  
 7750 Wisconsin Avenue, Bethesda, Maryland  
 20814, USA  
 (770) Marriott Worldwide Corporation  
 10400 Fernwood Road, Bethesda, Maryland  
 20817, USA  
 (580) 2023 12 11

---

(111) M 2015 26298 R  
 (732) Marriott Worldwide Corporation  
 7750 Wisconsin Avenue, Bethesda, Maryland  
 20814, USA  
 (770) Marriott Worldwide Corporation  
 10400 Fernwood Road, Bethesda, Maryland  
 20817, USA  
 (580) 2023 12 11

---

(111) M 2015 26220 R

(732) Hankook Tire & Technology Co., Ltd.  
 286, Pangyo-ro, Bundang-gu, Seongnam-si,  
 Gyeonggi-do, Republic of Korea  
 (770) Hankook Tire Co., Ltd.  
 133, Teheran-ro (Yeoksam-dong), Gangnam-  
 gu, Seoul, 135-723, Republic of Korea  
 (580) 2024 01 30

---

(111) M 2016 26689 R  
 (732) Westin Hotel Management, L.P.  
 7750 Wisconsin Avenue, Bethesda,  
 Maryland 20814, USA  
 (770) Westin Hotel Management, L.P.  
 One StarPoint, Stamford, Connecticut  
 06902, USA  
 (580) 2023 12 07

---

(111) M 2016 26987 R  
 (732) Marriott Worldwide Corporation  
 7750 Wisconsin Avenue, Bethesda, Maryland  
 20814, USA  
 (770) Marriott Worldwide Corporation  
 10400 Fernwood Road, Bethesda, Maryland  
 20817, USA  
 (580) 2023 12 11

---

(111) M 2016 27016 R  
 (732) Marriott Worldwide Corporation  
 7750 Wisconsin Avenue, Bethesda, Maryland  
 20814, USA  
 (770) Marriott Worldwide Corporation  
 10400 Fernwood Road, Bethesda, Maryland  
 20817, USA  
 (580) 2023 12 11

---

(111) M 2016 27701 R  
 (732) Elanco Animal Health GmbH  
 Alfred-Nobel-Strasse 50, 40789 Monheim  
 am Rhein, Germany  
 (770) Bayer Animal Health GmbH  
 Kaiser-Wilhelm-Allee 20, 51373 Leverkusen,  
 Germany  
 (580) 2023 12 19

---

(111) M 2016 27702 R  
 (732) Elanco Animal Health GmbH  
 Alfred-Nobel-Strasse 50, 40789 Monheim  
 am Rhein, Germany  
 (770) Bayer Animal Health GmbH  
 Kaiser-Wilhelm-Allee 20, 51373 Leverkusen,  
 Germany  
 (580) 2023 12 19

---

(111) M 2016 27971 R



(732) Elanco Animal Health GmbH  
Alfred-Nobel-Strasse 50, 40789 Monheim  
am Rhein, Germany  
(770) Bayer Animal Health GmbH  
Kaiser-Wilhelm-Allee 20, 51373 Leverkusen,  
Germany  
(580) 2023 12 19

---

(111) M 2019 31677 R  
(732) Sheraton International Ip, Llk  
7750 Wisconsin Avenue, Bethesda, Maryland  
20814, USA  
(770) Sheraton International Ip, Llk  
One StarPoint, Stamford, Connecticut  
06902, USA  
(580) 2023 12 15

---

(111) M 2016 27972 R  
(732) Elanco Animal Health GmbH  
Alfred-Nobel-Strasse 50, 40789 Monheim  
am Rhein, Germany  
(770) Bayer Animal Health GmbH  
Kaiser-Wilhelm-Allee 20, 51373 Leverkusen,  
Germany  
(580) 2023 12 19

---

(111) M 2018 29994 R  
(732) Marriott Worldwide Corporation  
7750 Wisconsin Avenue, Bethesda, Maryland  
20814, USA  
(770) Marriott Worldwide Corporation  
10400 Fernwood Road, Bethesda, Maryland  
20817, USA  
(580) 2023 12 11

---

(111) M 2018 30063 R  
(732) Joint Stock Company "H&N"  
Ul. Vyatskaya, bld. 27, bld. 13, M.o.  
Savelovski, Vn.Ter.G., 127015 Moscow,  
Russian Federation  
(770) JSC "Danon Russia"  
Ul. Vyatskaya, dom 27, bld. 13-14, 127015  
Moscow, Russian Federation  
(580) 2024 01 15

---

(111) M 2019 30746 R  
(732) Hankook Tire & Technology Co., Ltd.  
286, Pangyo-ro, Bundang-gu, Seongnam-si,  
Gyeonggi-do, Republic of Korea  
(770) Hankook Tire Co., Ltd.  
133, Teheran-ro (Yeoksam-dong), Gangnam-  
gu, Seoul, Republic of Korea  
(580) 2024 01 30

---

(111) M 2019 31676 R  
(732) Sheraton International IP LLC  
7750 Wisconsin Avenue, Bethesda, Maryland  
20814, USA  
(770) Sheraton International IP LLC  
One StarPoint, Stamford, Connecticut  
06902, USA  
(580) 2023 12 15

---

## CANCELLATION OF TRADEMARKS REGISTRATION

(111) M 2013 23874 R  
(151) 2013 08 02  
(732) LTD "Eurolux"  
Lilo settlement, V qu., bld. 2, b. 108, 0198,  
Tbilisi, Georgia  
(141) 2024 02 13

---

(111) M 2013 23875 R  
(151) 2013 08 02  
(732) LTD "Igrika 97"  
Akaki Tsereteli St. 18, ap. 19, 1000,  
Baghdati, Georgia  
(141) 2024 02 13

---

(111) M 2013 23868 R  
(151) 2013 07 29  
(732) Ramaz Kharebava  
VI m/r, Bld. -7, ap. 12, Gldani District,  
Tbilisi, Georgia  
(141) 2024 02 13

---

(111) M 2013 23870 R  
(151) 2013 08 01  
(732) Obshchestvo s Ogranichennoy  
Otvetstvennostiu "Aleksandrova Pogreba"  
Altufievskoe Shosse, dom 79A, bld. 25,  
Moscow, 127410, Russian Federation  
(141) 2024 02 13

---

(111) M 2013 23872 R  
(151) 2013 08 01  
(732) Shorena Razmadze  
Tseronisi St. 6, 0104, Tbilisi, Georgia  
(141) 2024 02 13

---

(111) M 2013 23876 R  
(151) 2013 08 02  
(732) Ketevan Sikharulidze  
Nutsbidze Plteau, I m/r, bld. 12, ap. 37,  
0183, Tbilisi, Georgia  
(141) 2024 02 13

---

## CORRECTION OF A TECHNICAL DEFICIENCY IN PUBLISHED INFORMATION

Bulletin №21(624)2023

Page – 68; Column– II

### IS PUBLISHED

(260) AM 2023 121099 A

(800) 1706482

(151) 2022 08 22

(891) 2022 08 22

(731) Malakhova Natal'ya Anatol'yevna

ul. Dekabristov 41, kvartira 249, RU-630126, Novosibirsk, Russian Federation

(540)

### NATALYA SHIK

(511) – 3...

### SHALL BE

(511)

8 – Glaziers' diamonds [parts of hand tools]; apparatus for tattooing; scythe stones; gimlets [hand tools]; borers; augers [hand tools]; carpenters' augers; pickhammers; weeding forks [hand tools]; carving forks; table forks; agricultural forks [hand tools]; lawn clippers [hand instruments]; harpoons; harpoons for fishing; nail extractors, hand-operated; rakes [hand tools]; sand trap rakes; cutter bars [hand tools]; whetstone holders; priming irons [hand tools]; sculptors' chisels; lifting jacks, hand-operated; hand drills, hand-operated; truncheons; clamps for carpenters or coopers; spades [hand tools]; rabbeting planes; chisels; engraving needles; tattoo needles; cutlery; edge tools [hand tools]; choppers being knives; garden tools, hand-operated; abrading instruments [hand instruments]; numbering punches; goffering irons; implements for decanting liquids [hand tools]; livestock marking tools; oyster openers; polishing irons [glazing tools]; ear-piercing apparatus; tube cutting instruments; wire strippers [hand tools]; riveters [hand tools]; expanders [hand tools]; cutters; cutting tools [hand tools]; ski edge sharpening tools, hand-operated; hand tools, hand-operated; sterile body piercing instruments; stamping-out tools [hand tools]; picks [hand tools]; beard clippers punch rings [knuckle dusters]; trowels; centre punches [hand tools]; daggers; pickaxes; mallets [hand instruments]; pliers; punch pliers [hand tools]; blades [weapons]; annular screw plates; spanners [hand tools]; tap wrenches; ladles [hand tools]; foundry ladles [hand tools]; meat claws; breast drills; lasts [shoemakers' hand tools]; scythe rings; instruments for punching tickets; diggers [hand tools]; rams [hand tools]; scythes; hainault scythes; fire irons; emery grinding wheels; grindstones [hand tools]; sledgehammers; thistle extractors [hand tools]; nail nippers; tree pruners; nail drawers [hand tools]; ice picks; blades [hand tools]; blades for planes; plane

irons; jig-saws; spoons; table knives, forks and spoons for babies; table knives, forks and spoons of plastic; crow bars; trowels [gardening]; shovels [hand tools]; palette knives; machetes; taps [hand tools]; fireplace bellows [hand tools]; swords; hammers [hand tools]; emergency hammers; fullers [hand tools]; stone hammers; masons' hammers; riveting hammers [hand tools]; mattocks; ditchers [hand tools]; pedicure sets; needle files; bits [hand tools]; files [tools]; emery files; air pumps, hand-operated; hand pumps; knives; mincing knives; fruit segmenters; vegetable knives; scaling knives; hobby knives [scalpels]; fruit corers; moulding irons; ceramic knives; farriers' knives; budding knives; hunting knives; penknives; grafting tools [hand tools]; carving knives; braiders [hand tools]; box cutters; bill-hooks; paring knives; cleavers; border shears; pruning shears; sword scabbards; kitchen mandolines; vegetable slicers, hand-operated; vegetable spiralizers, hand-operated; vegetable peelers, hand-operated; agricultural implements, hand-operated; side arms, other than firearms; stropping instruments; screwdrivers, non-electric; hand-operated corn cob strippers; sabres; stirring sticks for mixing paint; reamer sockets; drill holders [hand tools]; perforating tools [hand tools]; rammers [hand tools]; emery boards; nail files; nail files, electric; saws [hand tools]; bow saws; guns [hand tools]; non-electric caulking guns; guns, hand-operated, for the extrusion of mastics; dies [hand tools]; fruit pickers [hand tools]; saw blades [parts of hand tools]; tool belts [holders]; table cutlery [knives, forks and spoons]; crimping irons; vegetable choppers; money scoops; hackles [hand tools]; pin punches; nail punches; fish tapes [hand tools]; food processors, hand-operated; punches [hand tools]; insecticide vaporizers [hand tools]; syringes for spraying insecticides; reamers; frames for handsaws;

saw holders; rasps [hand tools]; paring irons [hand tools]; graving tools [hand tools]; milling cutters [hand tools]; leather strops; planes; scythe handles; knife handles; handles for hand-operated hand tools; levers; marline spikes; bits [parts of hand tools]; hollowing bits [parts of hand tools]; pruning scissors; silver plate [knives, forks and spoons]; pruning knives; sickles; drawing knives; scrapers [hand tools]; scrapers for skis; mortise chisels; caulking irons; gouges [hand tools]; mortars for pounding [hand tools]; mitre boxes [hand tools]; branding irons; hatchets; adzes [tools]; vices; bench vices [hand implements]; hoop cutters [hand tools]; axes; holing axes; fulling tools [hand tools]; earth rammers [hand tools]; tube cutters [hand tools]; hoes [hand tools]; squares [hand tools]; extension pieces for braces for screw taps; embossers [hand tools]; apparatus for destroying plant parasites, hand-operated; metal wire stretchers [hand tools]; metal band stretchers [hand tools]; flat irons; irons [non-electric hand tools]; hand-operated fruit slicers; ratchets [hand tools]; scraping tools [hand tools]; awls; spatulas [hand tools]; spatulas for use by artists; wine bottle foil cutters, hand-operated; bayonets; pincers; cuticle tweezers;; nail clippers, electric or non-electric; fingernail polishers, electric or non-electric.

---

# CLASSIFICATION INDEXES

## INVENTIONS

### CONCORDANCE TABLE OF INTERNATIONAL CLASSIFICATION INDEX AND PUBLICATION NUMBER

INTERNATIONAL CLASSIFICATION INDEXES (51)	NUMBER OF PUBLISHED APPLICATION (10)
A 61 K 31/541; A 61 P 31/06; A 61 P 31/04; C 07 D 279/00 B 21 J 7/16	AP 2024 16059 A AP 2024 16177 A

### CONCORDANCE TABLE OF PUBLICATION NUMBER AND INTERNATIONAL CLASSIFICATION INDEX

NUMBER OF PUBLISHED APPLICATION (10)	INTERNATIONAL CLASSIFICATION INDEXES (51)
AP 2024 16059 A	A 61 K 31/541; A 61 P 31/06; A 61 P 31/04; C 07 D 279/00
AP 2024 16177 A	B 21 J 7/16

### CONCORDANCE TABLE OF INTERNATIONAL CLASSIFICATION INDEX, PATENT NUMBER AND PUBLICATION NUMBER

INTERNATIONAL CLASSIFICATION INDEX (51)	NUMBER OF PATENT (11)	NUMBER OF PUBLISHED APPLICATION (10)
A 61 K 31/47; A 61 P 35/00; C 07 D 215/48	P 2024 7596 B	AP 2023 15695 A
A 61 K 31/7076; C 07 H 19/16	P 2024 7600 B	AP 2023 15999 A
A 61 K 39/00; A 61 K 9/00; A 61 K 9/14; C 07 K 16/24	P 2024 7601 B	AP 2023 15672 A
A 61 K 39/00	P 2024 7604 B	AP 2023 16018 A
B 61 H 1/00; F 61 D 65/04	P 2024 7603 B	AP 2023 15577 A
C 08 B 37/10	P 2024 7598 B	AP 2023 15747 A
C 10 B 57/06; C 10 B 45/00; C 10 L 1/00; C 10 L 5/34; C 10 M 171/00	P 2024 7597 B	AP 2023 15987 A
C 22 B 11/02; C 22 B 9/10; C 22 B 9/16	P 2024 7602 B	AP 2023 15809 A
G 01 N 27/00	P 2024 7599 B	AP 2023 15929 A

**CONCORDANCE TABLE OF PATENT NUMBER,  
PUBLICATION NUMBER AND INTERNATIONAL CLASSIFICATION INDEX**

NUMBER OF PATENT (11)	NUMBER OF PUBLISHED APPLICATION (10)	INTERNATIONAL CLASSIFICATION INDEX (51)
P 2024 7596 B	AP 2023 15695 A	A 61 K 31/47; A 61 P 35/00; C 07 D 215/48
P 2024 7597 B	AP 2023 15987 A	C 10 B 57/06; C 10 B 45/00; C 10 L 1/00; C 10 L 5/34; C 10 M 171/00
P 2024 7598 B	AP 2023 15747 A	C 08 B 37/10
P 2024 7599 B	AP 2023 15929 A	G 01 N 27/00
P 2024 7600 B	AP 2023 15999 A	A 61 K 31/7076; C 07 H 19/16
P 2024 7601 B	AP 2023 15672 A	A 61 K 39/00; A 61 K 9/00; A 61 K 9/14; C 07 K 16/24
P 2024 7602 B	AP 2023 15809 A	C 22 B 11/02; C 22 B 9/10; C 22 B 9/16
P 2024 7603 B	AP 2023 15577 A	B 61 H 1/00; F 61 D 65/04
P 2024 7604 B	AP 2023 16018 A	A 61 K 39/00

**CONCORDANCE TABLE OF APPLICATION NUMBER,  
PUBLICATION NUMBER AND PATENT**

NUMBER OF APPLICATION (21)	NUMBER OF PUBLISHED APPLICATION (10)	NUMBER OF PATENT (11)
AP 2019 15577	AP 2023 15577 A	P 2024 7603 B
AP 2019 15672	AP 2023 15672 A	P 2024 7601 B
AP 2019 15695	AP 2023 15695 A	P 2024 7596 B
AP 2020 15747	AP 2023 15747 A	P 2024 7598 B
AP 2019 15809	AP 2023 15809 A	P 2024 7602 B
AP 2022 15929	AP 2023 15929 A	P 2024 7599 B
AP 2020 15987	AP 2023 15987 A	P 2024 7597 B
AP 2016 15999	AP 2023 15999 A	P 2024 7600 B
AP 2022 16018	AP 2023 16018 A	P 2024 7604 B

**APPLICATIONS<sup>\*\*\*</sup>**

**CONCORDANCE TABLE OF INTERNATIONAL CLASSIFICATION INDEX  
AND PUBLICATION NUMBER**

INTERNATIONAL CLASSIFICATION INDEXES (51)	NUMBER OF PUBLISHED APPLICATION (10)
A 61 K 31/4745; A 61 K 39/395; A 61 P 35/00; C 07 D 491/147; C 07 D 491/12	AP 2024 16409 A
B 65 D 85/10; G 06 Q 10/0833; G 06 Q 30/0601; G 06 Q 30/015; G 06 Q 30/018; G 06 Q 20/20	AP 2024 16292 A
C 07 K 16/30	AP 2024 16385 A
H 04 N 19/503; H 04 N 19/70	AP 2024 16439 A

**CONCORDANCE TABLE OF PUBLICATION NUMBER  
AND INTERNATIONAL CLASSIFICATION INDEX**

NUMBER OF PUBLISHED APPLICATION (10)	INTERNATIONAL CLASSIFICATION INDEXES (51)
AP 2024 16292 A	B 65 D 85/10; G 06 Q 10/0833; G 06 Q 30/0601; G 06 Q 30/015; G 06 Q 30/018; G 06 Q 20/20
AP 2024 16385 A	C 07 K 16/30
AP 2024 16409 A	A 61 K 31/4745; A 61 K 39/395; A 61 P 35/00; C 07 D 491/147; C 07 D 491/12
AP 2024 16439 A	H 04 N 19/503; H 04 N 19/70

**UTILITY MODELS**

**CONCORDANCE TABLE OF INTERNATIONAL CLASSIFICATION INDEX  
AND PUBLICATION NUMBER**

INTERNATIONAL CLASSIFICATION INDEXES (51)	NUMBER OF PUBLISHED APPLICATION (10)
B 65 F 1/0	AU 2024 16244 U

**CONCORDANCE TABLE OF PUBLICATION NUMBER  
AND INTERNATIONAL CLASSIFICATION INDEX**

NUMBER OF PUBLISHED APPLICATION (10)	INTERNATIONAL CLASSIFICATION INDEXES (51)
AU 2024 16244 U	B 65 F 1/0

**CONCORDANCE TABLE OF INTERNATIONAL CLASSIFICATION INDEX,  
PATENT NUMBER AND PUBLICATION NUMBER**

INTERNATIONAL CLASSIFICATION INDEXES (51)	NUMBER OF PATENT (11)	NUMBER OF PUBLISHED APPLICATION (10)
D 04 H 17/10	U 2024 2167 Y	AU 2023 16251 U

**CONCORDANCE TABLE OF PATENT NUMBER,  
PUBLICATION NUMBER AND INTERNATIONAL CLASSIFICATION INDEX**

NUMBER OF PATENT (11)	NUMBER OF PUBLISHED APPLICATION (10)	INTERNATIONAL CLASSIFICATION INDEXES (51)
U 2024 2167 Y	AU 2023 16251 U	D 04 H 17/10

**CONCORDANCE TABLE OF APPLICATION NUMBER,  
PUBLICATION NUMBER AND PATENT**

NUMBER OF APPLICATION (21)	NUMBER OF PUBLISHED APPLICATION (10)	NUMBER OF PATENT (11)
AU 2023 16251	AU 2023 16251 U	U 2024 2167 Y

**APPLICATIONS<sup>\*\*\*</sup>**

**CONCORDANCE TABLE OF INTERNATIONAL CLASSIFICATION INDEX  
AND PUBLICATION NUMBER**

INTERNATIONAL CLASSIFICATION INDEXES (51)	NUMBER OF PUBLISHED APPLICATION (10)
A 61 K 33/04; A 61 K 36/60; A 61 K 33/26	AU 2024 16356 U
B 28 B 1/16; C 12 G 1/00; C 12 G 1/02; C 12 G 1/036	AU 2024 16381 U
D 01 C 1/00; D 06 M 11/00	AU 2024 16325 U

**CONCORDANCE TABLE OF PUBLICATION NUMBER  
AND INTERNATIONAL CLASSIFICATION INDEX**

NUMBER OF PUBLISHED APPLICATION (10)	INTERNATIONAL CLASSIFICATION INDEXES (51)
AU 2024 16325 U	D 01 C 1/00; D 06 M 11/00
AU 2024 16356 U	A 61 K 33/04; A 61 K 36/60; A 61 K 33/26
AU 2024 16381 U	B 28 B 1/16; C 12 G 1/00; C 12 G 1/02; C 12 G 1/036



**REGISTERED UTILITY MODELS\*\*\***  
**CONCORDANCE TABLE OF INTERNATIONAL CLASSIFICATION INDEX,**  
**REGISTRATION NUMBER AND PUBLICATION NUMBER**

INTERNATIONAL CLASSIFICATION INDEXES (51)	NUMBER OF UTILITY MODEL REGISTRATION (11)	NUMBER OF PUBLISHED APPLICATION (10)
A 61 K 33/04; A 61 K 36/60; A 61 K 33/26	U 2024 2168 Y	AU 2024 16356 U
B 28 B 1/16; C 12 G 1/00; C 12 G 1/02; C 12 G 1/036	U 2024 2169 Y	AU 2024 16381 U
D 01 C 1/00; D 06 M 11/00	U 2024 2170 Y	AU 2024 16325 U

**CONCORDANCE TABLE OF REGISTRATION NUMBER,**  
**PUBLICATION NUMBER AND INTERNATIONAL CLASSIFICATION INDEX**

NUMBER OF UTILITY MODEL REGISTRATION (11)	NUMBER OF PUBLISHED APPLICATION (10)	INTERNATIONAL CLASSIFICATION INDEXES (51)
U 2024 2168 Y	AU 2024 16356 U	A 61 K 33/04; A 61 K 36/60; A 61 K 33/26
U 2024 2169 Y	AU 2024 16381 U	B 28 B 1/16; C 12 G 1/00; C 12 G 1/02; C 12 G 1/036
U 2024 2170 Y	AU 2024 16325 U	D 01 C 1/00; D 06 M 11/00

**CONCORDANCE TABLE OF APPLICATION NUMBER,**  
**PUBLICATION NUMBER AND REGISTRATION NUMBER**

NUMBER OF APPLICATION (21)	NUMBER OF PUBLISHED APPLICATION (10)	NUMBER OF UTILITY MODEL REGISTRATION (11)
AU 2023 16325	AU 2024 16325 U	U 2024 2170 Y
AU 2023 16356	AU 2024 16356 U	U 2024 2168 Y
AU 2023 16381	AU 2024 16381 U	U 2024 2169 Y

**DESIGNS****CONCORDANCE TABLE OF INTERNATIONAL CLASSIFICATION INDEX  
AND PUBLICATION NUMBER**

INTERNATIONAL CLASSIFICATION INDEXES (51)	NUMBER OF PUBLISHED APPLICATION (10)
07-01	AD 2024 1326 S

**CONCORDANCE TABLE OF PUBLICATION NUMBER  
AND INTERNATIONAL CLASSIFICATION INDEX**

NUMBER OF PUBLISHED APPLICATION (10)	INTERNATIONAL CLASSIFICATION INDEXES (51)
AD 2024 1326 S	07-01

**CONCORDANCE TABLE OF INTERNATIONAL CLASSIFICATION INDEX,  
NUMBER OF REGISTRATION AND PUBLICATION NUMBER**

INTERNATIONAL CLASSIFICATION INDEXES (51)	NUMBER OF REGISTRATION (11)	NUMBER OF PUBLISHED APPLICATION (10)
11-01	D 2024 994 S	AD 2023 1319 S

**CONCORDANCE TABLE OF NUMBER OF REGISTRATION,  
PUBLICATION NUMBER AND INTERNATIONAL CLASSIFICATION INDEX**

NUMBER OF REGISTRATION (11)	NUMBER OF PUBLISHED APPLICATION (10)	INTERNATIONAL CLASSIFICATION INDEXES (51)
D 2024 994 S	AD 2023 1319 S	11-01

**CONCORDANCE TABLE OF APPLICATION NUMBER,  
PUBLICATION NUMBER AND NUMBER OF REGISTRATION**

NUMBER OF APPLICATION (21)	NUMBER OF PUBLISHED APPLICATION (10)	NUMBER OF REGISTRATION (11)
AD 2023 1319	AD 2023 1319 S	D 2024 994 S

## TRADEMARKS

### CONCORDANCE TABLE OF REGISTRATION NUMBERS, APPLICATION NUMBERS, PUBLICATION NUMBERS AND BULLETIN NUMBERS

NUMBER OF REGISTRATION (111)	NUMBER OF APPLICATIONS (210)	NUMBER OF PUBLISHED APPLICATIONS (260)	NUMBER OF BULLETIN
1	2	3	4
M 2024 37845 R	AM 126568	–	4(631)2024
M 2024 37846 R	AM 126580	–	4(631)2024
M 2024 37847 R	AM 122206	AM 2023 122206 A	19(622)2023
M 2024 37848 R	AM 118760	AM 2023 118760 A	19(622)2023
M 2024 37849 R	AM 120848	AM 2023 120848 A	16(619)2023
M 2024 37850 R	AM 121050	AM 2023 121050 A	14(617)2023
M 2024 37851 R	AM 121126	AM 2023 121126 A	14(617)2023
M 2024 37852 R	AM 121246	AM 2023 121246 A	15(618)2023
M 2024 37853 R	AM 121247	AM 2023 121247 A	15(618)2023
M 2024 37854 R	AM 121414	AM 2023 121414 A	17(620)2023
M 2024 37855 R	AM 121437	AM 2023 121437 A	18(621)2023
M 2024 37856 R	AM 121438	AM 2023 121438 A	18(621)2023
M 2024 37857 R	AM 121517	AM 2023 121517 A	17(620)2023
M 2024 37858 R	AM 121519	AM 2023 121519 A	19(622)2023
M 2024 37859 R	AM 121522	AM 2023 121522 A	18(621)2023
M 2024 37860 R	AM 121634	AM 2023 121634 A	18(621)2023
M 2024 37861 R	AM 121648	AM 2023 121648 A	19(622)2023
M 2024 37862 R	AM 121672	AM 2023 121672 A	19(622)2023
M 2024 37863 R	AM 121737	AM 2023 121737 A	19(622)2023
M 2024 37864 R	AM 121738	AM 2023 121738 A	19(622)2023
M 2024 37865 R	AM 121740	AM 2023 121740 A	19(622)2023
M 2024 37866 R	AM 121745	AM 2023 121745 A	19(622)2023
M 2024 37867 R	AM 121746	AM 2023 121746 A	19(622)2023
M 2024 37868 R	AM 121747	AM 2023 121747 A	19(622)2023
M 2024 37869 R	AM 121760	AM 2023 121760 A	17(620)2023
M 2024 37870 R	AM 121770	AM 2023 121770 A	18(621)2023
M 2024 37871 R	AM 121922	AM 2023 121922 A	19(622)2023
M 2024 37872 R	AM 121863	AM 2023 121863 A	18(621)2023
M 2024 37873 R	AM 121856	AM 2023 121856 A	18(621)2023
M 2024 37874 R	AM 121775	AM 2023 121775 A	18(621)2023
M 2024 37875 R	AM 121773	AM 2023 121773 A	19(622)2023
M 2024 37876 R	AM 121924	AM 2023 121924 A	18(621)2023
M 2024 37877 R	AM 121929	AM 2023 121929 A	19(622)2023
M 2024 37878 R	AM 122039	AM 2023 122039 A	19(622)2023
M 2024 37879 R	AM 122108	AM 2023 122108 A	19(622)2023
M 2024 37880 R	AM 122109	AM 2023 122109 A	19(622)2023
M 2024 37881 R	AM 121774	AM 2023 121774 A	18(621)2023
M 2024 37882 R	AM 120240	AM 2023 120240 A	14(617)2023
M 2024 37883 R	AM 120957	AM 2023 120957 A	14(617)2023
M 2024 37884 R	AM 120958	AM 2023 120958 A	14(617)2023
M 2024 37885 R	AM 120960	AM 2023 120960 A	16(619)2023
M 2024 37886 R	AM 120961	AM 2023 120961 A	16(619)2023
M 2024 37887 R	AM 121417	AM 2023 121417 A	18(621)2023
M 2024 37888 R	AM 120735	AM 2023 120735 A	14(617)2023
M 2024 37889 R	AM 120133	AM 2023 120133 A	18(621)2023
M 2024 37889 R	AM 120133	AM 2023 120133 A	10(613)2023

1	2	3	4
M 2024 37890 R	AM 121937	AM 2023 121937 A	19(622)2023
M 2024 37891 R	AM 122125	AM 2023 122125 A	20(623)2023
M 2024 37892 R	AM 121903	AM 2023 121903 A	20(623)2023
M 2024 37893 R	AM 122107	AM 2023 122107 A	19(622)2023
M 2024 37894 R	AM 121524	AM 2023 121524 A	16(619)2023
M 2024 37895 R	AM 121343	AM 2023 121343 A	17(620)2023
M 2024 37896 R	AM 120511	AM 2023 120511 A	14(617)2023
M 2024 37897 R	AM 120510	AM 2023 120510 A	14(617)2023
M 2024 37898 R	AM 121864	AM 2023 121864 A	18(621)2023
M 2024 37899 R	AM 126583	–	4(631)2024
M 2024 37900 R	AM 126563	–	4(631)2024
M 2024 37901 R	AM 126566	–	4(631)2024
M 2024 37902 R	AM 126731	–	4(631)2024
M 2024 37903 R	AM 126499	–	4(631)2024
M 2024 37904 R	AM 126815	–	4(631)2024
M 2024 37905 R	AM 126814	–	4(631)2024
M 2024 37906 R	AM 120859	AM 2023 120859 A	14(617)2023
M 2024 37907 R	AM 120959	AM 2023 120959 A	14(617)2023
M 2024 37908 R	AM 120435	AM 2023 120435 A	14(617)2023
M 2024 37909 R	AM 120448	AM 2023 120448 A	14(617)2023
M 2024 37910 R	AM 122211	AM 2023 122211 A	20(623)2023
M 2024 37911 R	AM 120937	AM 2023 120937 A	14(617)2023
M 2024 37912 R	AM 121906	AM 2023 121906 A	19(622)2023
M 2024 37913 R	AM 121919	AM 2023 121919 A	19(622)2023
M 2024 37914 R	AM 121908	AM 2023 121908 A	19(622)2023
M 2024 37915 R	AM 121918	AM 2023 121918 A	19(622)2023
M 2024 37916 R	AM 121657	AM 2023 121657 A	18(621)2023
M 2024 37917 R	AM 121651	AM 2023 121651 A	20(623)2023
M 2024 37918 R	AM 121043	AM 2023 121043 A	14(617)2023
M 2024 37919 R	AM 121042	AM 2023 121042 A	14(617)2023
M 2024 37920 R	AM 121938	AM 2023 121938 A	20(623)2023
M 2024 37921 R	AM 121335	AM 2023 121335 A	15(618)2023
M 2024 37922 R	AM 121633	AM 2023 121633 A	18(621)2023
M 2024 37923 R	AM 121739	AM 2023 121739 A	20(623)2023
M 2024 37924 R	AM 121734	AM 2023 121734 A	18(621)2023
M 2024 37925 R	AM 121334	AM 2023 121334 A	15(618)2023
M 2024 37926 R	AM 121848	AM 2023 121848 A	19(622)2023
M 2024 37927 R	AM 121907	AM 2023 121907 A	20(623)2023
M 2024 37928 R	AM 121245	AM 2023 121245 A	15(618)2023
M 2024 37929 R	AM 121916	AM 2023 121916 A	19(622)2023
M 2024 37930 R	AM 121920	AM 2023 121920 A	19(622)2023
M 2024 37931 R	AM 122223	AM 2023 122223 A	20(623)2023
M 2024 37932 R	AM 122208	AM 2023 122208 A	20(623)2023
M 2024 37933 R	AM 121041	AM 2023 121041 A	14(617)2023
M 2024 37934 R	AM 122127	AM 2023 122127 A	20(623)2023

CONCORDANCE TABLE OF INDEX OF GOODS AND/OR SERVICES  
AND APPLICATION NUMBERS

NUMBER OF PUBLISHED APPLICATIONS (260)	NUMBER OF APPLICATIONS (210)	1	2
1	2		
AM 2024 122102 A	AM 122102	AM 2024 123872 A	AM 2024 123872 A
AM 2024 122508 A	AM 122508	AM 2024 123873 A	AM 2024 123873 A
AM 2024 122579 A	AM 122579	AM 2024 123874 A	AM 2024 123874 A
AM 2024 122656 A	AM 122656	AM 2024 123875 A	AM 2024 123875 A
AM 2024 122664 A	AM 122664	AM 2024 123876 A	AM 2024 123876 A
AM 2024 122828 A	AM 122828	AM 2024 123878 A	AM 2024 123878 A
AM 2024 122836 A	AM 122836	AM 2024 123879 A	AM 2024 123879 A
AM 2024 122837 A	AM 122837	AM 2024 123880 A	AM 2024 123880 A
AM 2024 122840 A	AM 122840	AM 2024 123910 A	AM 2024 123910 A
AM 2024 122846 A	AM 122846	AM 2024 123911 A	AM 2024 123911 A
AM 2024 122847 A	AM 122847	AM 2024 123932 A	AM 2024 123932 A
AM 2024 122946 A	AM 122946	AM 2024 123933 A	AM 2024 123933 A
AM 2024 122980 A	AM 122980	AM 2024 123934 A	AM 2024 123934 A
AM 2024 123070 A	AM 123070	AM 2024 123935 A	AM 2024 123935 A
AM 2024 123178 A	AM 123178	AM 2024 124004 A	AM 2024 124004 A
AM 2024 123217 A	AM 123217	AM 2024 124005 A	AM 2024 124005 A
AM 2024 123224 A	AM 123224	AM 2024 124006 A	AM 2024 124006 A
AM 2024 123229 A	AM 123229	AM 2024 124010 A	AM 2024 124010 A
AM 2024 123316 A	AM 123316	AM 2024 124011 A	AM 2024 124011 A
AM 2024 123317 A	AM 123317	AM 2024 124012 A	AM 2024 124012 A
AM 2024 123321 A	AM 123321	AM 2024 124013 A	AM 2024 124013 A
AM 2024 123322 A	AM 123322	AM 2024 124014 A	AM 2024 124014 A
AM 2024 123359 A	AM 123359	AM 2024 124015 A	AM 2024 124015 A
AM 2024 123423 A	AM 123423	AM 2024 124026 A	AM 2024 124026 A
AM 2024 123483 A	AM 123483	AM 2024 124039 A	AM 2024 124039 A
AM 2024 123494 A	AM 123494	AM 2024 124040 A	AM 2024 124040 A
AM 2024 123496 A	AM 123496	AM 2024 124045 A	AM 2024 124045 A
AM 2024 123500 A	AM 123500	AM 2024 124047 A	AM 2024 124047 A
AM 2024 123507 A	AM 123507	AM 2024 124126 A	AM 2024 124126 A
AM 2024 123576 A	AM 123576	AM 2024 124132 A	AM 2024 124132 A
AM 2024 123588 A	AM 123588	AM 2024 124133 A	AM 2024 124133 A
AM 2024 123590 A	AM 123590	AM 2024 124135 A	AM 2024 124135 A
AM 2024 123601 A	AM 123601	AM 2024 124136 A	AM 2024 124136 A
AM 2024 123608 A	AM 123608	AM 2024 124137 A	AM 2024 124137 A
AM 2024 123659 A	AM 123659	AM 2024 124138 A	AM 2024 124138 A
AM 2024 123660 A	AM 123660	AM 2024 124155 A	AM 2024 124155 A
		AM 2024 124156 A	AM 2024 124156 A
		AM 2024 124157 A	AM 2024 124157 A
		AM 2024 124167 A	AM 2024 124167 A
		AM 2024 124247 A	AM 2024 124247 A

CONCORDANCE TABLE OF PUBLICATION NUMBERS  
AND APPLICATION NUMBERS

INDEX OF GOODS AND/OR SERVICES (511)	NUMBER OF PUBLISHED APPLICATIONS (260)	1	2
1	2		
1	AM 2024 123601 A	12	AM 2024 123601 A
1	AM 2024 124039 A	12	AM 2024 123932 A
2	AM 2024 124156 A	12	AM 2024 123933 A
2	AM 2024 124157 A	12	AM 2024 123934 A
3	AM 2024 123359 A	12	AM 2024 123935 A
3	AM 2024 123601 A	12	AM 2024 124133 A
3	AM 2024 124047 A	12	AM 2024 124136 A
4	AM 2024 123601 A	17	AM 2024 124157 A
4	AM 2024 124156 A	19	AM 2024 124156 A
5	AM 2024 122579 A	19	AM 2024 124157 A
5	AM 2024 122837 A	29	AM 2024 122837 A
5	AM 2024 122840 A	29	AM 2024 123217 A
5	AM 2024 122846 A	29	AM 2024 123224 A
5	AM 2024 122847 A	29	AM 2024 124026 A
5	AM 2024 123321 A	30	AM 2024 123217 A
5	AM 2024 123322 A	30	AM 2024 123224 A
5	AM 2024 123494 A	30	AM 2024 123500 A
5	AM 2024 123601 A	30	AM 2024 123590 A
5	AM 2024 123872 A	30	AM 2024 124026 A
5	AM 2024 123873 A	31	AM 2024 123423 A
5	AM 2024 123874 A	31	AM 2024 123588 A
5	AM 2024 123875 A	31	AM 2024 124006 A
5	AM 2024 123876 A	31	AM 2024 124026 A
5	AM 2024 123878 A	32	AM 2024 122828 A
5	AM 2024 123879 A	32	AM 2024 123070 A
5	AM 2024 123880 A	32	AM 2024 123483 A
5	AM 2024 124004 A	32	AM 2024 123608 A
5	AM 2024 124005 A	32	AM 2024 124026 A
5	AM 2024 124006 A	32	AM 2024 124045 A
5	AM 2024 124010 A	32	AM 2024 122664 A
5	AM 2024 124011 A	33	AM 2024 122836 A
5	AM 2024 124012 A	33	AM 2024 123070 A
5	AM 2024 124013 A	33	AM 2024 123224 A
5	AM 2024 124014 A	33	AM 2024 123229 A
5	AM 2024 124015 A	33	AM 2024 123483 A
5	AM 2024 124040 A	33	AM 2024 124026 A
5	AM 2024 124047 A	33	AM 2024 124045 A
7	AM 2024 123178 A	34	AM 2024 122656 A
7	AM 2024 124167 A	34	AM 2024 122946 A
8	AM 2024 123178 A	34	AM 2024 123659 A
8	AM 2024 123507 A	34	AM 2024 123660 A
9	AM 2024 123601 A	35	AM 2024 122508 A
9	AM 2024 124132 A	35	AM 2024 122836 A
9	AM 2024 124135 A	35	AM 2024 122840 A
11	AM 2024 123178 A	35	AM 2024 122980 A
12	AM 2024 123576 A	35	AM 2024 123217 A
		35	AM 2024 123316 A
		35	AM 2024 123317 A
		35	AM 2024 123496 A
		35	AM 2024 123500 A

1	2
35	AM 2024 123590 A
35	AM 2024 123601 A
35	AM 2024 123608 A
35	AM 2024 124026 A
35	AM 2024 124126 A
35	AM 2024 124157 A
37	AM 2024 124137 A
37	AM 2024 124138 A
37	AM 2024 124157 A
38	AM 2024 122508 A
38	AM 2024 123601 A
38	AM 2024 123910 A
38	AM 2024 123911 A
39	AM 2024 122508 A
39	AM 2024 123601 A
39	AM 2024 124156 A
39	AM 2024 124157 A
40	AM 2024 124006 A

1	2
41	AM 2024 123910 A
41	AM 2024 123911 A
41	AM 2024 124026 A
41	AM 2024 124155 A
42	AM 2024 122508 A
42	AM 2024 124006 A
42	AM 2024 124167 A
42	AM 2024 124247 A
43	AM 2024 122102 A
43	AM 2024 123217 A
43	AM 2024 123224 A
43	AM 2024 123316 A
43	AM 2024 123317 A
43	AM 2024 123500 A
43	AM 2024 124026 A
43	AM 2024 124126 A
44	AM 2024 124006 A

**CONCORDANCE TABLE OF INDEX OF GOODS AND/OR SERVICES  
AND NUMBERS OF TRADEMARKS REGISTERED ACCORDING  
TO THE ACCELERATED PROCEDURE**

INDEX OF GOODS AND/OR SERVICES (511)	NUMBERS OF REGISTERED ACCORDING TO THE ACCELERATED PROCEDURE (111)
5	M 2024 37846 R
19	M 2024 37905 R
29	M 2024 37899 R
29	M 2024 37902 R
29	M 2024 37904 R
30	M 2024 37902 R
30	M 2024 37904 R
32	M 2024 37902 R
32	M 2024 37904 R
35	M 2024 37845 R
35	M 2024 37899 R
35	M 2024 37903 R
35	M 2024 37904 R

# **OFFICIAL BULLETIN OF THE INDUSTRIAL PROPERTY**

**INVENTIONS**  
**UTILITY MODELS**  
**DESIGNS**  
**TRADEMARKS**

## **4(631)**

EDITOR-IN-CHIEF: N. Bebrishvili

EDITOR-TRANSLATOR: E. Gabunia

PROOFREADER: A. Shikhashvili

COMPUTER LAYOUT: M. Ordenidze  
K. Svanidze

ISSN 2720-8486

[info@sakpatenti.gov.ge](mailto:info@sakpatenti.gov.ge)  
[www.sakpatenti.gov.ge](http://www.sakpatenti.gov.ge)



**LIST OF CODES, IN ALPHABETIC SEQUENCE, AND THE CORRESPONDING (SHORT) NAMES OF STATES, OTHER ENTITIES AND INTERGOVERNMENTAL ORGANIZATIONS  
(WIPO STANDARD ST.3)**

AD	Andorra				
AE	United Arab Emirates	GD	Grenada	NE	Niger
AF	Afghanistan	GG	Guernsey	NG	Nigeria
AG	Antigua and Barbuda	GH	Ghana	NI	Nicaragua
AI	Anguilla	GI	Gibraltar	NL	Netherlands
AL	Albania	GT	Guatemala	NO	Norway
AM	Armenia	GW	Guinea- Bissau	NP	Nepal
AN	Netherlands Antilles	GY	Guyana	NR	Nauru
AO	Angola	HK	The Hong Kong Special Administrative Region of the People's Republic of China	NZ	New Zealand
AP	African Regional Intellectual Property Organization (ARIPO)	HN	Honduras	OA	African Intellectual Property Organization (OAPI)
AR	Argentina	HR	Croatia	OM	Oman
AT	Austria	HT	Haiti	PA	Panama
AU	Australia	HU	Hungary	PE	Peru
AW	Aruba	IB	International Bureau of the World Intellectual Property Organization (WIPO)	PG	Papua New Guinea
AZ	Azerbaijan	ID	Indonesia	PH	Philippines
BA	Bosnia and Herzegovina	IE	Ireland	PK	Pakistan
BB	Barbados	IL	Israel	PL	Poland
BD	Bangladesh	IM	Isle of Man	PT	Portugal
BE	Belgium	IN	India	PW	Palau
BF	Burkina Faso	IQ	Iraq	PY	Paraguay
BG	Bulgaria	IR	Iran (Islamic Republic of)	QA	Qatar
BH	Bahrain	IS	Iceland	QZ	Community Plant Variety Office (European Community) (CPVO)
BI	Burundi	IT	Italy	RO	Romania
BJ	Benin	JE	Jersey	RS	Serbia
BM	Bermuda	JM	Jamaica	RU	Russian Federation
BN	Brunei Darussalam	JO	Jordan	RW	Rwanda
BO	Bolivia	JP	Japan	SA	Saudi Arabia
BR	Brazil	KE	Kenya	SB	Solomon Islands
BS	Bahamas	KG	Kyrgyzstan	SC	Seychelles
BT	Bhutan	KH	Cambodia	SD	Sudan
BV	Bouvet Island	KI	Kiribati	SG	Singapore
BW	Botswana	KM	Saint Kitts and Nevis	SH	Saint Helena
BX	Benelux Office for Intellectual Property (BOIP)	KP	Democratic People's Republic of Korea	SI	Slovenia
BY	Belarus	KR	Republic of Korea	SK	Slovakia
BZ	Belize	KW	Kuwait	SL	Sierra Leone
CA	Canada	KY	Cayman Islands	SM	San Marino
CD	Democratic Republic of the Congo	KZ	Kazakhstan	SN	Senegal
CF	Central African Republic	LA	Lao People's Democratic Republic	SO	Somalia
CG	Congo	LB	Lebanon	SR	Suriname
CH	Switzerland	LC	Saint Lucia	ST	Sao Tome and Principe
CI	Cote d'Ivoire	LI	Liechtenstein	SV	El Salvador
CK	Cook Islands	LK	Sri Lanka	SY	Syrian Arab Republic
CL	Chile	LR	Liberia	SZ	Swaziland
CM	Cameroon	LS	Lesotho	TC	Turks and Caicos Islands
CN	China	LT	Lithuania	TD	Chad
CO	Colombia	LU	Luxembourg	TG	Togo
CR	Costa Rica	LV	Latvia	TH	Thailand
CU	Cuba	LY	Libyan Arab Jamahiriya	TJ	Tajikistan
CV	Cape Verde	MA	Morocco	TL	Timor-Leste
CY	Cyprus	MC	Monaco	TM	Turkmenistan
CZ	Czech Republic	MD	Republic of Moldova	TN	Tunisia
DE	Germany	ME	Montenegro	TO	Tonga
DJ	Djibouti	MG	Madagascar	TR	Turkey
DM	Dominica	MK	The former Yugoslav Republic of Macedonia	SE	Sweden
DO	Dominican Republic	ML	Mali	TT	Trinidad and Tobago
DZ	Algeria	MM	Myanmar	TV	Tuvalu
EA	Eurasian Patent Organization (EAPO)	MN	Mongolia	TW	Taiwan, Province of China
EC	Ecuador	MO	Macao	TZ	United Republic of Tanzania
EE	Estonia	MP	Northern Mariana Islands	UA	Ukraine
EG	Egypt	MR	Mauritania	UG	Uganda
EH	Western Sahara	MS	Montserrat	US	United States of America
EM	Office for Harmonization in the Internal Market (Trademarks and Designs)(OHIM)	MT	Malta	UY	Uruguay
EP	European Patent Office (EPO)	MU	Mauritius	UZ	Uzbekistan
ER	Eritrea	MV	Maldives	VA	Holy See
ES	Spain	MW	Malawi	VC	Saint Vincent and the Grenadines
ET	Ethiopia	MX	Mexico	VE	Venezuela
FI	Finland	MY	Malaysia	VG	Virgin Islands (British)
FJ	Fiji	MZ	Mozambique	VN	Viet Nam
FK	Falkland Islands (Malvinas)	NA	Namibia	VU	Vanuatu
FO	Faroe Islands			WO	World Intellectual Property Organization (WIPO)
FR	France			WS	Samoa
GA	Gabon			XN	Nordic Patent Institute (NPI)
GB	United Kingdom			YE	Yemen
GC	Patent Office of the Cooperation Council for the Arab States of the Gulf (GCC)			ZA	South Africa
				ZM	Zambia
				ZW	Zimbabwe