



საქართველოს ინტელექტუალური საკუთრების ეროვნული ცენტრი  
NATIONAL INTELLECTUAL PROPERTY CENTER OF GEORGIA

საქპატენტი  
SAKPATENTI

**OFFICIAL BULLETIN  
OF THE INDUSTRIAL PROPERTY**

**5(513)**

2019  
TBILISI

# INID CODES FOR IDENTIFICATION OF BIBLIOGRAPHIC DATA

## INVENTIONS, UTILITY MODELS

- (10) Number of publication for application, which has been examined
- (11) Number of patent and kind of document
- (21) Serial number of application
- (22) Date of filing of the application
- (23) Date of exhibition or the date of the earlier filing and the number of application, if any
- (24) Date from which patent may have effect
- (31) Number of priority application
- (32) Date of filing of priority application
- (33) Code of the country or regional organization allotting priority application number
- (44) Date of publication of application not granted, but examined and number of bulletin
- (45) Date of publication of registered document
- (51) International Patent Classification Index
- (54) Title of the invention
- (57) Abstract
- (60) Number of examined patent document granted by foreign patent office, date from which patent has effect and country code
- (62) Number of the earlier application and in case of divided application, date of filing an application
- (71) Name, surname and address of applicant (country code)
- (72) Name, surname of inventor (country code)
- (73) Name, surname and address of patent owner (country code)
- (74) Name, surname of representative or patent attorney
- (85) Date of commencement of the national phase of International Application
- (86) Number and date of filing of international application
- (87) Number and date of publication of international application

## DESIGNS

- (10) Number of publication for application
- (11) Number of patent and kind of document or number of registration
- (15) Date of registration/Date of patent renewal
- (18) Expected expiration date of patent or registration
- (21) Serial number of application
- (22) Date of filing of the application
- (23) Date of exhibition or the date of the earlier filing and the number of application, if any
- (24) Date from which patent may have effect
- (28) Number of designs included in the application
- (30) Data relating to priority (number of application, date of filing of application, two-letter code identifying the authority with whom the priority application was made)
- (31) Number of priority application
- (32) Date of filing of priority application
- (33) Code of the country or regional organization allotting priority application number
- (34) Two-letter code according to WIPO St.3 identifying the authority with which the priority application was made
- (44) Date of publication of design and number of bulletin (the first publication)
- (45) Date of publication of design registered by WIPO and number of bulletin
- (51) International Classification for designs (class and subclass of the Locarno Classification)
- (54) Title of the invention
- (55) Reproduction of the design
- (57) Description of characteristic features of the design including indication of colors
- (58) Date of recording of any kind of amendment in the Register
- (62) Number of the earlier application, registration and document number and if available the date of filing an application in case of divided application
- (71) Name, surname and address of applicant (country code)
- (72) Name, surname of creator (country code)
- (73) Name, surname and address of patent owner (country code)
- (74) Name, surname of representative or patent attorney
- (81) Contracting states concerned
  - II designated contracting states according to the 1960 Act
  - III designated contracting states according to the 1999 Act
- (85) Owner's permanent address
- (86) Owner's nationality
- (87) Owner's residence
- (88) State in which the owner has a real and effective industrial or commercial establishment

## TRADEMARKS

- (111) – Number of registration
- (151) – Date of registration
- (156) – Date of the renewal
- (181) – Expected expiration date of registration
- (186) – Renewal expiration date of registration
- (141) – Date of cancel of duration of the mark
- (210) – Serial number of application
- (220) – Date of filing of the application
- (230) – Date concerning exhibition
- (260) – Number of application, for which favorable decision of examination about registration has been taken (publication number)
- (310) – Number of the first application
- (320) – Date of filing of the first application
- (330) – Code, identifying national or regional Office where the first application was made
- (511) – International Classification of Goods and Services for the purposes of registration of trade marks and/or list of goods and/or services classified according thereto
- (531) – Description of figurative elements of Trade Marks according to the International Classification of the Figurative Elements of Marks
- (540) – Reproduction of Trade Mark
- (550) – Nature and kind of Trade Mark
- (580) – Date of recording of any kind changes in respect of applications or registrations
- (591) – Information concerning colors claimed
- (731) – Name and address of the applicant
- (732) – Name and address of the holder of the registration
- (740) – Name and address of the representative
- (750) – Address for correspondence
- (770) – Name and address of the previous applicant or holder in case of change in ownership
- (771) – Previous name and address of the applicant or holder in case of change in ownership
- (791) – Name and address of the licensee
- (793) – Indication of conditions and/or restrictions under the license (Type of license, number of license agreement, data of license, data of validity of license)
- (800) – Certain data relating to the international registration of Trade Marks under the Protocol Relating to Madrid Agreement (International registration number)

## CODES FOR PUBLICATION IN BULLETIN

- (21) AP 0000 000000 – serial number of application for invention
- (10) AP 0000 0000 A – number of published application for invention (first publication)
- (11) P 0000 0000 B – number of patent for invention (second publication)
- (21) API 0000 000000 – number of application for imported patent
- (11) PI 0000 0000 A – number of imported patent (first publication)
- (21) AU 0000 000000 – serial number of application for utility model
- (10) AU 0000 000 U – number of published application for utility model (first publication)
- (11) U 0000 000 Y – number of patent for utility model (second publication)
- (21) AD 0000 000000 – serial number of application for design
- (10) AD 0000 000 S – number of published application for design (first publication)
- (11) D 0000 000 S – number of patent for design (second publication)

## INTERNATIONAL PATENT CLASSIFICATION FOR INVENTIONS AND UTILITY MODELS

- SECTION A – HUMAN NECESSITIES
- SECTION B – PERFORMING OPERATIONS; TRANSPORTING
- SECTION C – CHEMISTRY; METALLURGY
- SECTION D – TEXTILES; PAPER
- SECTION E – FIXED CONSTRUCTIONS
- SECTION F – MECHANICAL ENGINEERING; LIGHTING; HEATING; WEAPONS; BLASTING
- SECTION G – PHYSICS
- SECTION H – ELECTRICITY

- 
- M – Trade Mark
  - (210) AM 0000 000000 – Serial number of application;
  - (260) AAM 0000 00000 A – Publication number of application;
  - (111) M 0000 00000 R – Number of registration;
  - (111) MMM0000 00000 Rn – Number of renewals, in which n=1,2,3;
  - (111) M 0000 00000 R(P) – Number of registration under partial assignment of rights
-

**LIST OF CODES, IN ALPHABETIC SEQUENCE, AND THE CORRESPONDING (SHORT) NAMES OF STATES, OTHER ENTITIES AND INTERGOVERNMENTAL ORGANIZATIONS**  
(WIPO STANDARD ST.3)

AD	Andorra				
AE	United Arab Emirates				
AF	Afghanistan				
AG	Antigua and Barbuda				
AI	Anguilla				
AL	Albania				
AM	Armenia				
AN	Netherlands Antilles				
AO	Angola				
AP	African Regional Intellectual Property Organization (ARIPO)				
AR	Argentina				
AT	Austria				
AU	Australia				
AW	Aruba				
AZ	Azerbaijan				
BA	Bosnia and Herzegovina				
BB	Barbados				
BD	Bangladesh				
BE	Belgium				
BF	Burkina Faso				
BG	Bulgaria				
BH	Bahrain				
BI	Burundi				
BJ	Benin				
BM	Bermuda				
BN	Brunei Darussalam				
BO	Bolivia				
BR	Brazil				
BS	Bahamas				
BT	Bhutan				
BV	Bouvet Island				
BW	Botswana				
BX	Benelux Office for Intellectual Property (BOIP)				
BY	Belarus				
BZ	Belize				
CA	Canada				
CD	Democratic Republic of the Congo				
CF	Central African Republic				
CG	Congo				
CH	Switzerland				
CI	Cote d'Ivoire				
CK	Cook Islands				
CL	Chile				
CM	Cameroon				
CN	China				
CO	Colombia				
CR	Costa Rica				
CU	Cuba				
CV	Cape Verde				
CY	Cyprus				
CZ	Czech Republic				
DE	Germany				
DJ	Djibouti				
DM	Dominica				
DO	Dominican Republic				
DZ	Algeria				
EA	Eurasian Patent Organization (EAPO)				
EC	Ecuador				
EE	Estonia				
EG	Egypt				
EH	Western Sahara				
EM	Office for Harmonization in the Internal Market (Trademarks and Designs)(OHIM)				
EP	European Patent Office (EPO)				
ER	Eritrea				
ES	Spain				
ET	Ethiopia				
FI	Finland				
FJ	Fiji				
FK	Falkland Islands (Malvinas)				
FO	Faroe Islands				
FR	France				
GA	Gabon				
GB	United Kingdom				
GC	Patent Office of the Cooperation Council for the Arab States of the Gulf (GCC)				
GD	Grenada				
GG	Guernsey				
GH	Ghana				
GI	Gibraltar				
GT	Guatemala				
GW	Guinea- Bissau				
GY	Guyana				
HK	The Hong Kong Special Administrative Region of the People's Republic of China				
HN	Honduras				
HR	Croatia				
HT	Haiti				
HU	Hungary				
IB	International Bureau of the World Intellectual Property Organization (WIPO)				
ID	Indonesia				
IE	Ireland				
IL	Israel				
IM	Isle of Man				
IN	India				
IQ	Iraq				
ID	Indonesia				
IE	Ireland				
IL	Israel				
IM	Isle of Man				
IN	India				
IQ	Iraq				
IR	Iran (Islamic Republic of)				
IS	Iceland				
IT	Italy				
JE	Jersey				
JM	Jamaica				
JO	Jordan				
JP	Japan				
KE	Kenya				
KG	Kyrgyzstan				
KH	Cambodia				
KI	Kiribati				
KM	Saint Kitts and Nevis				
KP	Democratic People's Republic of Korea				
KR	Republic of Korea				
KW	Kuwait				
KY	Cayman Islands				
KZ	Kazakhstan				
LA	Lao People's Democratic Republic				
LB	Lebanon				
LC	Saint Lucia				
LI	Liechtenstein				
LK	Sri Lanka				
LR	Liberia				
LS	Lesotho				
LT	Lithuania				
LU	Luxembourg				
LV	Latvia				
LY	Libyan Arab Jamahiriya				
MA	Morocco				
MC	Monaco				
MD	Republic of Moldova				
ME	Montenegro				
MG	Madagascar				
MK	The former Yugoslav Republic of Macedonia				
ML	Mali				
MM	Myanmar				
MN	Mongolia				
MO	Macao				
MP	Northern Mariana Islands				
MR	Mauritania				
MS	Montserrat				
MT	Malta				
MU	Mauritius				
MV	Maldives				
MW	Malawi				
MX	Mexico				
MY	Malaysia				
MZ	Mozambique				
NA	Namibia				
NE	Niger				
NG	Nigeria				
NI	Nicaragua				
NL	Netherlands				
NO	Norway				
NP	Nepal				
NR	Nauru				
NZ	New Zealand				
OA	African Intellectual Property Organization (OAPI)				
OM	Oman				
PA	Panama				
PE	Peru				
PG	Papua New Guinea				
PH	Philippines				
PK	Pakistan				
PL	Poland				
PT	Portugal				
PW	Palau				
PY	Paraguay				
QA	Qatar				
QZ	Community Plant Variety Office (European Community) (CPVO)				
RO	Romania				
RS	Serbia				
RU	Russian Federation				
RW	Rwanda				
SA	Saudi Arabia				
SB	Solomon Islands				
SC	Seychelles				
SD	Sudan				
SG	Singapore				
SH	Saint Helena				
SI	Slovenia				
SK	Slovakia				
SL	Sierra Leone				
SM	San Marino				
SN	Senegal				
SO	Somalia				
SR	Suriname				
ST	Sao Tome and Principe				
SV	El Salvador				
SY	Syrian Arab Republic				
SZ	Swaziland				
TC	Turks and Caicos Islands				
TD	Chad				
TG	Togo				
TH	Thailand				
TJ	Tajikistan				
TL	Timor-Leste				
TM	Turkmenistan				
TN	Tunisia				
TO	Tonga				
TR	Turkey				
SE	Sweden				
TT	Trinidad and Tobago				
TV	Tuvalu				
TW	Taiwan, Province of China				
TZ	United Republic of Tanzania				
UA	Ukraine				
UG	Uganda				
US	United States of America				
UY	Uruguay				
UZ	Uzbekistan				
VA	Holy See				
VC	Saint Vincent and the Grenadines				
VE	Venezuela				
VG	Virgin Islands (British)				
VN	Viet Nam				
VU	Vanuatu				
WO	World Intellectual Property Organization (WIPO)				
WS	Samoa				
XN	Nordic Patent Institute (NPI)				
YE	Yemen				
ZA	South Africa				
ZM	Zambia				
ZW	Zimbabwe				

# **OFFICIAL BULLETIN OF THE INDUSTRIAL PROPERTY**

## **5(513)**

**INVENTIONS**

**UTILITY MODELS**

**DESIGNS**

**TRADEMARKS**

**APPELLATIONS OF ORIGIN AND GEOGRAPHICAL  
INDICATIONS OF GOODS**

DATE OF PUBLICATION

2019 03 11

# CONTENTS

<b>PUBLISHED TITLES OF PROTECTION</b> .....	3
<b>INVENTIONS</b>	
▪ APPLICATIONS APPROVED FOR GRANTING PATENTS .....	4
▪ PATENTED INVENTIONS .....	7
<b>UTILITY MODELS</b>	
▪ APPLICATIONS APPROVED FOR GRANTING PATENTS .....	9
<b>DESIGNS</b>	
▪ APPLICATIONS APPROVED FOR REGISTRATION .....	11
▪ DESIGNS, WHICH HAVE BEEN REGISTERED WITH THE INTERNATIONAL BUREAU CLAIMING PRIORITY ON THE TERRITORY OF GEORGIA .....	20
<b>TRADEMARKS</b>	
▪ APPLICATIONS FILED UNDER THE NATIONAL PROCEDURE APPROVED FOR REGISTRATION .....	28
▪ REGISTERED TRADEMARKS .....	36
▪ TRADEMARKS REGISTERED ACCORDING TO THE ACCELERATED PROCEDURE .....	41
▪ INTERNATIONAL TRADEMARKS FOR WHICH A DECISION ON GRANTING PROTECTION IS TAKEN .....	44
▪ INTERNATIONAL TRADEMARKS PROTECTED IN GEORGIA .....	127
<b>GEOGRAPHICAL INDICATIONS AND APPELLATIONS OF ORIGIN OF GOODS</b>	
▪ APPELLATIONS OF ORIGIN OF GOODS FILED IN GEORGIA FOR EXAMINATION UNDER LISBON AGREEMENT, ON THE BASIS OF THE INTERNATIONAL REGISTRATION .....	134
▪ REGISTERED GEOGRAPHICAL INDICATION .....	135
<b>OFFICIAL NOTIFICATIONS</b>	
<b>INVENTIONS</b>	
▪ EXPIRATION OF PATENTS RESTORATION .....	136
<b>DESIGNS</b>	
▪ RENEWAL OF REGISTRATIONS .....	137
▪ CANCELLATION OF REGISTRATIONS .....	137
<b>TRADEMARKS</b>	
▪ RENEWAL OF REGISTRATIONS .....	139
▪ CHANGES OF NAMES AND/OR ADDRESSES OF OWNERS .....	141
▪ INVALIDATION OF INTERNATIONAL TRADEMARK REGISTRATION .....	141
▪ ABATEMENT OF TRADEMARK REGISTRATIONS .....	142
▪ LICENSE AGREEMENT .....	145
<b>CLASSIFICATION INDEXES</b>	
INVENTIONS .....	146
UTILITY MODELS .....	147
DESIGNS .....	148
TRADEMARKS .....	149

## **PUBLISHED TITLES OF PROTECTION**

### **INVENTIONS**

- **APPLICATIONS APPROVED FOR GRANTING PATENT:**  
14522; 14582; 14507; 14708; 14762
- **PATENTED INVENTIONS:**  
6952-6955

### **UTILITY MODELS**

- **APPLICATIONS APPROVED FOR GRANTING PATENTS:**  
14892; 14765; 14651

### **DESIGNS**

- **APPLICATIONS APPROVED FOR REGISTRATION:**  
1057; 1056; 1063
- **DESIGNS WHICH HAVE BEEN REGISTERED WITH THE INTERNATIONAL BUREAU CLAIMING PRIORITY ON THE TERRITORY OF GEORGIA:**  
103792; 101418; 101738; 101788; 101744

### **TRADEMARKS**

- **APPLICATIONS FILED UNDER THE NATIONAL PROCEDURE APPROVED FOR REGISTRATION:**  
96501; 97185; 97893; 98004; 98198; 98210; 98223-98225; 98248; 98380; 98391; 98397; 98433; 98441; 98548; 98551; 98564; 98581; 98582; 98668; 98670; 98671; 98674-98681; 98687-98689; 98692; 98696; 98755; 98756; 98759-98761; 98771; 98971; 98983; 99050; 99070
- **REGISTERED TRADEMARKS:**  
30860-30910
- **TRADEMARKS REGISTERED ACCORDING TO THE ACCELERATED PROCEDURE:**  
30847-30859
- **INTERNATIONAL TRADEMARKS FOR WHICH A DECISION ON GRANTING PROTECTIONS IS TAKEN:**  
94646\*; 95390; 95613, 95614; 96804; 97041; 97114; 97129; 97275; 97355; 97358; 97507; 97518; 97522; 97539; 97599-97605; 97607, 97608; 97618, 97619; 97621; 97626; 97631-97633; 97635; 97641; 97643; 97645-97648; 97650; 97656; 97658; 97660; 97676; 97711, 97712; 97715; 97723, 97724; 97726, 97727; 97729; 97735; 97749; 97751; 97754, 97755; 97841; 97859- 97861; 97863-97866; 97869-97873; 97907; 97909-97915; 97946, 97947; 97952-97955; 98017, 98018; 98023, 98024; 98031; 98033-98035; 98038; 98089; 98118-98125; 98127; 98130; 98139; 98143-98145; 98250; 98316; 98320; 98331; 98334; 98344-98346; 98356-98358; 98365; 98367, 98368
- **INTERNATIONAL TRADEMARKS PROTECTED IN GEORGIA:**  
92420; 93256; 93339; 93409; 93888; 94231; 94663; 94802; 95466; 95855; 95952; 95960; 95964, 95965; 96053-96058; 96060; 96063, 96084; 96089; 96096; 96103; 96123, 96124; 96191-96193; 96195; 96209; 96211, 96212; 96214; 96238; 96241; 96267; 96274; 96277, 96278; 96345; 96352, 96353; 96356; 96363; 96376, 96377; 96380; 96383, 96384; 96396; 96398; 96409; 96451, 96452; 96454; 96456; 96460, 96461; 96472; 96475; 96482; 96488; 96497-96500; 96502, 96503; 96539; 96546; 96577-96579; 96620, 96621; 96629; 96640; 96662; 96669, 96670; 96672-96674; 96702; 96713; 96719; 96741; 96743-96745

### **GEOGRAPHICAL INDICATION AND APPELLATIONS OF ORIGIN OF GOODS**

- **APPELATION OF ORIGIN OF GOODS FILED IN GEORGIA FOR EXAMINATION UNDER LISBON AGREEMENT, ON THE BASIS OF THE INTERNATIONAL REGISTRATIONS:**  
1536-1540
- **REGISTERED GEOGRAPHICAL INDICATION:**  
976

# INVENTIONS

## APPLICATIONS APPROVED FOR GRANTING PATENTS

The decision can be appealed at the Chamber of Appeal of Sakpatenti within 3 months from the publication or at the Mtskheta District Court Administrative Cases Board (Address: №17, Samkhedro str., Mtskheta), within 1 month following the publication.

### PART A

#### A 23

(10) AP 2019 14522 A (51) Int. Cl. (2006)

A 23 N 5/00

(21) AP 2017 14522 (22) 2017 06 19

(71) Mariam Tsiskarishvili (GE)

Nutsubidzis q. 17, b. 30, 0177, Tbilisi (GE);

Nino Jorbenadze (GE)

Tabukashvili q. 46, 0108, Tbilisi (GE)

(72) Mariam Tsiskarishvili (GE);

Nino Jorbenadze (GE)

(54) **DEVICE FOR SPLITTING NUTS AND HAZELS**

(57) A device includes labour body installed rotatable on a shaft 5 and executed as a couple of pressing discs 6 and 7, a drive 9 and 10, and a bin 1. One from labour body discs has inner fleecy surface 19, and second disc installed opposite thereto is executed as hinged and spring four chopped sectors 15, on which outer surfaces the ledges 16 are executed, and the screwdown mechanism rolls 14 are installed capable of interaction thereto.

Claims: 1 independent

Fig.: 3

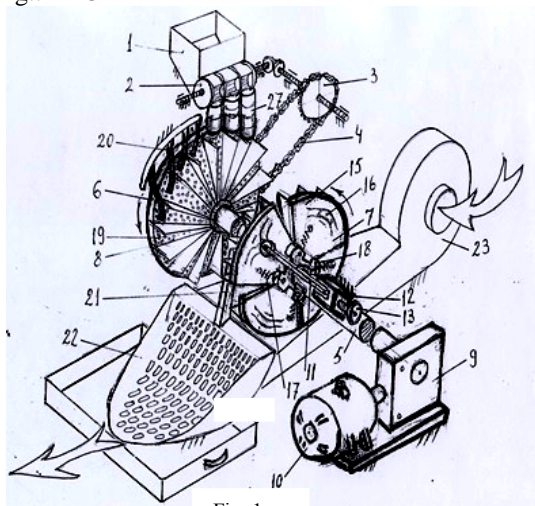


Fig. 1

#### A 47

(10) AP 2019 14582 A (51) Int. Cl. (2006)

A 47 J 43/07

A 47 J 44/00

A 47 J 43/04

A 47 J 43/044

A 47 J 43/046

B 01 F 7/00

B 02 C 23/00

(21) AP 2016 14582 (22) 2016 11 11

(31) 15/078,432

(32) 2016 03 23

(33) US

(71) CAPBRAN HOLDINGS, LLC (US)

11601 Wilshire Blvd, 23<sup>rd</sup> Floor, Los Angeles, CA, 90025 (US)

(72) SAPIRE, Colin (US)

(74) Tamar Kochlamazashvili

(85) 2017 09 04

(86) PCT/US2016/061683, 2016 11 11

(54) **FOOD PROCESSOR**

(57) A versatile food processing system that can work with plurality of top-mounted food processing units of different types and sizes is disclosed. The motor base of the food processing system has a locking mechanism and safety actuators at different radial locations so that food processing units of different sizes can utilize the safety mechanism. One particular processing unit is especially useful for making noodles and vegetable strips. The processing unit comprises a stationary outer vessel and a rotating inner vessel. Blades are located on an inner lid of the inner vessel. The inner vessel spins in unison with the inner lid without a central shaft to avoid harm caused by the shaft to the quality of the resulting noodles.

Claims: 2 independent

18 dependent

Fig.: 18

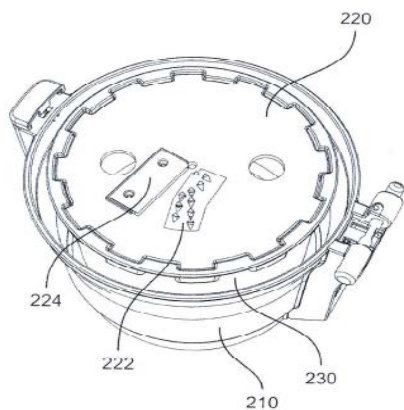


Fig. 13

**A 61**

(10) AP 2019 14507 A (51) Int. Cl. (2006)  
A 61 K 31/404  
A 61 K 31/138  
A 61 K 9/24  
A 61 K 9/16

(21) AP 2015 14507 (22) 2015 11 04  
(31) 1460654  
(32) 2014 11 05  
(33) FR

(71) LES LABORATOIRES SERVIER (FR)  
35 rue de Verdun 92284 Suresnes (FR)

(72) FONKNECHTEN, Gilles (FR)

(74) Tamaz Shilakadze

(85) 2017 05 31

(86) PCT/FR2015/052975, 2015 11 04

(54) **PHARMACEUTICAL COMPOSITION  
COMPRISING BISOPROLOL AND  
PERINDORIL**

(57) Composition contains bisoprolol, perindopril and a filler; at that, bisoprolol and perindopril are physically separated.

Claims: 2 independent  
9 dependent

**A 63**

(10) AP 2019 14708 A (51) Int. Cl. (2006)  
A 63 F 03/00

(21) AP 2018 14708 (22) 2018 02 22

(71) Giorgi Ghambashidze (RU)  
Poselok Barvikha, 143084, Odintsovskiy R-n,  
Moskovskaya Obl. (RU);  
Shalva Liparteliani (GE)  
I. Chavchavadzis gamz. 49b, b. 111,  
Tbilisi (GE)

(72) Giorgi Ghambashidze (RU);  
Shalva Liparteliani (GE)

(74) Davit Dزامukashvili

(54) **TRANSPORT LOTTERY SYSTEM**

(57) There is represented a lottery for public transport passengers including participants acquaintance with drawing results. The lottery is accomplished by means of multicomponent electric record, treatment and transmission system of data including central server switched by electric means to transport system and passenger passing ticket purchase points, and passenger game conduction and informing systems, and random numbers generator with drawing process control componentry including set of monitors, among them. The system provides integration with control panel and paying systems. In whole, it is executed capable of internet and mobile applications interaction, and includes lottery web-site. Central server additionally includes drawing process data treatment and calculation systems, whereto the transport lottery all componentry are switched.

Claims: 1 independent  
2 dependent

Fig.: 1

**PART C****C 12**

(10) AP 2019 14762 A (51) Int. Cl. (2006)  
C 12 G 1/032

(21) AP 2016 14762 (22) 2016 11 10

(31) 102015000073366

(32) 2015 11 17

(33) IT

(71) CASTLE COMMERCIAL  
ENTERPRISES LIMITED (IE)  
Harcourt Centre, Block 3, Harcourt Road  
Dublin 2 (IE)

(72) MARIN, Francesco (IT)

(74) Shalva Gvaramadze

(85) 2018 04 23

(86) PCT/IB2016/056763, 2016 11 10

(54) **IMPROVED FERMENTER**

(57) A fermenter for fermenting a solution, comprising: a vat 2 predisposed for containing a solution 3 to be fermented, and provided with an inlet opening 4, 33 and an outlet opening 5, 25; a pumping-over conduit 100 provided with a first connection 101, which is placed in communication with a lower zone of the vat 2, and a dispensing opening 103, disposed in an upper zone of the vat 2 so as to be capable of dispensing a liquid above the upper level of the solution 3. The pumping-over conduit 100 comprises a second connection 102, disposed in an intermediate position between the first connection 101 and the dispensing opening 103, which dispensing opening 103 is so arranged



as to allow the gas to be introduced into the pumping-over conduit 100.

Claims: 1 independent

20 dependent

Fig.: 13

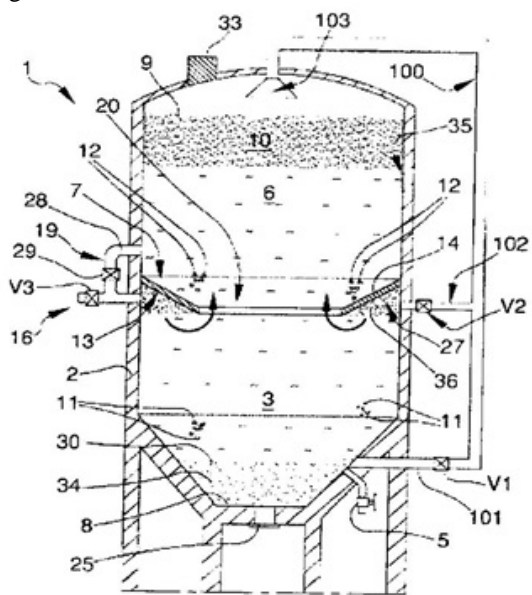


Fig. 3

## PATENTED INVENTIONS

### PART A

#### A 61

- (11) **P 2019 6952 B** (51) **Int. Cl. (2006)**  
**A 61 K 31/44**  
**C 07 D 455/02**  
**A 01 N 43/90**
- (10) AP 2018 14124 A (44) 21(505)/2018  
 (21) AP 2014 14124  
 (22) 2014 09 26  
 (24) 2014 09 26  
 (31) 61/883,463; AP 2014 14124  
 (32) 2013 09 27; 2014 09 26  
 (33) US; GE  
 (86) PCT/US2014/057572, 2014 09 26  
 (73) MERCK SHARP & DOHME CORP. (US)  
 126 East Lincoln Avenue, Rahway, NJ  
 07065-0907 (US)  
 (72) YU, Tao (US);  
 ZHANG, Yonglian (US);  
 WADDELL, Sherman Tim (US);  
 STAMFORD, Andrew (US);  
 WAI, John, S. (CN);  
 COLEMAN, Paul, J. (US);  
 SANDERS, John, M. (US);  
 FERGUSON, Ronald (US)  
 (74) Shalva Gvaramadze  
 (54) **SUBSTITUTED QUINOLIZINE  
 DERIVATIVES USEFUL AS HIV  
 INTEGRASE INHIBITORS**

### PART B

#### B 22

- (11) **P 2019 6955 B** (51) **Int. Cl. (2006)**  
**B 22 F 1/00**  
**B 22 F 3/02**  
**B 22 F 3/23**  
**B 22 F 7/00**  
**B 22 F 7/02**  
**C 22 C 29/14**  
**C 22 C 38/14**  
**C 22 C 1/00**  
**C 22 C 1/04**  
**C 22 C 14/00**
- (10) AP 2018 14240 A (44) 4(488)/2018  
 (21) AP 2016 14240  
 (22) 2016 08 10

- (24) 2016 08 10  
 (73) Zurab Aslamazashvili (GE);  
 D. Tavkhelidsis q. 1, sad. 3, sart. 4, b. 58, 0186,  
 Tbilisi (GE);  
 Giorgi Oniashvili (GE)  
 Bazaletis q. 7, b. 6, 0179, Tbilisi (GE);  
 Garegin Zakharov (GE)  
 Ertsov q. 11, b. 9, Tbilisi(GE);  
 Giorgi Tavadze (GE)  
 D. Uznadsis q. 4, b. 77, 0102, Tbilisi (GE)  
 (72) Zurab Aslamazashvili (GE);  
 Giorgi Oniashvili (GE);  
 Garegin Zakharov (GE);  
 Giorgi Tavadze (GE)  
 (74) Zurab Aslamazashvili  
 (54) **METHOD FOR PREPARATION OF  
 COMPOSITE MATERIAL STABLE AT  
 DYNAMIC LOAD OF HIGH  
 INTENSITY**

#### B 28

- (11) **P 2019 6953 B** (51) **Int. Cl. (2006)**  
**B 28 B 19/00**  
**C 04 B 28/14**  
**C 04 B 111/00**
- (10) AP 2018 14135 A (44) 22(506)/2018  
 (21) AP 2013 14135  
 (22) 2013 10 07  
 (24) 2013 10 07  
 (86) PCT/EP2013/070852, 2013 10 07  
 (73) KNAUF GIPS KG (DE)  
 Am Bahnhof, 7, 97346 Iphofen (DE)  
 (72) PIWOWARSKI, Jacek (PL)  
 (74) Tamar Kochlamazashvili  
 (54) **METHOD FOR PRODUCING  
 GYPSUM PLASTERBOARD**



---

# UTILITY MODELS

## APPLICATIONS APPROVED FOR GRANTING PATENTS

The decision can be appealed at the Chamber of Appeal of Sakpatenti within 3 months from the publication or at the Mtskheta District Court Administrative Cases Board (Address: №17, Samkhedro str., Mtskheta), within 1 month following the publication.

### PART A

#### A 61

(10) AU 2019 14892 U (51) Int. Cl. (2006)  
A 61 P 25/08

(21) AU 2018 14892 (22) 2018 10 03

(71) Sopio Kasradze (GE)

I. Chavchavadzis gamz. 37d, b. 48, 0186,

Tbilisi (GE);

Marine Nikolaishvili (GE)

Shevardenidzis q. 9, b. 13, 0164, Tbilisi (GE)

(72) Sopio Kasradze (GE);

Marine Nikolaishvili (GE)

(54) **THERAPEUTIC AGENT FROM  
EPILEPSY**

(57) Mineral water Tskaltubo is used for inhalation at epilepsy.

Claims: 1 independent

---

#### A 62

(10) AU 2019 14765 U (51) Int. Cl. (2006)  
A 62 D 1/00

(21) AU 2018 14765 (22) 2018 04 24

(71) Lali Gurchumelia (GE)

Vashlijvris das., korp. 14b, b. 12, 0159,

Tbilisi (GE)

(72) Murman Tsarakhov (GE);

Olgha Tvaradze (GE);

Lali Gurchumelia (GE);

Lasha Tkemaladze (GE);

Salome Tkemaladze (GE);

Olga Chudakova (GE);

Felix Bezhanov (GE)

(54) **FIRE EXTINGUISHING POWDER**

(57) Fire extinguishing powder contains: zeolite, perlite, shale and dolomite with following correlation of componentry, in mass%:

zeolite 33-35;

perlite 33-35;

shale 14-20;

dolomite 14-20.

Claims: 1 independent

Table: 1

---

### PART E

#### E 02

(10) AU 2019 14651 U (51) Int. Cl. (2006)  
E 02 B 8/06

(21) AU 2017 14651 (22) 2017 12 18

(71) Goga Chakhaia (GE)

Nutsubidzis I mkr., korp. I, b. 40, 0183,

Tbilisi (GE);

Givi Gavardashvili (GE)

Varketili 3, II mkr., korp. 29, b. 17,

0163, Tbilisi (GE);

Levan Tsulukidze (GE)

Nutsubidzis I mkr., korp. I, b. 40, 0183,

0183, Tbilisi (GE);

Nugzar Kvashilava (GE)

M. Asatianis q. 12, b. 16, 0177, Tbilisi (GE);

Irakli Kvirkvelia (GE)

Janashias q. 5-7, b. 11, 0179, Tbilisi (GE);

Sopio Gogilava (GE)

Nutsubidzis I mkr., korp. I, b. 40, 0183,

Tbilisi (GE);

Ts. Mirtskhulava Water Management Institute

of Georgian Technical University (GE)

Kostavas q. 77, 0171, Tbilisi (GE)

(72) Goga Chakhaia (GE);

Givi Gavardashvili (GE);

Levan Tsulukidze (GE);

Nugzar Kvashilava (GE);

Irakli Kvirkvelia (GE);

Sopio Gogilava (GE)

(54) **ANTI-MUDFLOW CONSTRUCTION**

(57) Anti-mudflow construction consists of hollow truncated cone shaped componentry 1, filled with inert material 6, and separately and alternate fixed in riverbed concrete base 4 in rows having increasing componentry gabarits directed towards anti-modflow.

Claims: 1 independent

Fig.: 4

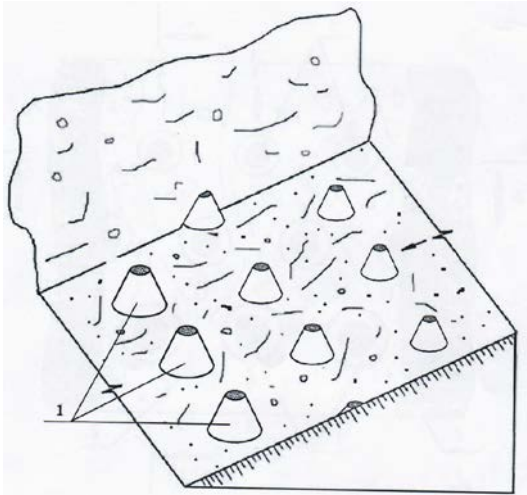


Fig. 1

---

---

# DESIGNS

## APPLICATIONS APPROVED FOR REGISTRATION

The decision can be appealed at the Chamber of Appeal of Sakpatenti within 3 months from the publication or at the Mtskheta District Court Administrative Cases Board (Address: №17, Samkhedro str., Mtskheta), within 1 month following the publication.

(10) AD 2019 1057 S

(21) AD 2018 1057

(28) 1

(71) Davit Abutidze (GE)

Varketili 3, I mkr., korp. 25, b. 9, Tbilisi, 0163 (GE)

(72) Davit Abutidze (GE)

(54) **FOLDING TABLE**

(55)

(51) 06-03

(22) 2018 09 18





1.4



1.5



1.6



1.7



1.8



1.9



1.10



1.11

---



- (10) AD 2019 1056 S
- (21) AD 2018 1056
- (28) 8
- (71) JSC “TELIANI VALLEY” (GE)  
Tbilisi Highway 3, 2200, Telavi (GE)
- (72) Zakhar Mesropov (GE);  
Ruslan Beridze (GE)
- (54) 1.-8. LABELS
- (55)

There is nothing fundamentally Georgian without the big three – language, homeland and faith. Mtavruli, one of the 14 writings in the world, is an integral attribute of the language; hence our decision to name our wine after the script – like wine, a major component of our DNA – to rearticulate our culture to the world.

2017

*Alazani Valley  
White Semi Sweet*

**MTAVRULI**

ალაზნის ველი

Alc. 11.5% / Vol. 750 ml.

1.1



**MTAVRULI** Alazani Valley

Semi sweet white wine, made from Rkatsiteli grape variety, grown in Kakheti region. The wine is distinguished by the golden straw color. It is characterized by the primary soft aromas of ripe white fruit, Turkish delight and white cherry jam. The balance is powered with semi sweet taste and pleasant acidity. Food pairing: desserts and light cakes. Serve at 10-12° C. Drink the wine young.

**მთავრული** ალაზნის ველი

თეთრი ნახევრად ტკბილი ღვინო, დაშაფავებული კახეთის მიწველი რკაცითელის ვარს ვერანდებზე. გამოირჩევა შიშვინისფერ-ჩაღვინისფერი შეფერილობით. შეფერილად არის გამოხატული ნახევრად ტკბილი ღვინოსთვის დამახასიათებელი რბილი არომატები: შხვეფი თეთრი ხილი, რასაო-ლუკუმი, თეთრი ზღის შერაბა. სისაბოლეს დაბალმანძვლად შეგავსებით. იდეალურად ერწყმის ღვინოებს და მსუბუქ ნახევრებს. სერვისითაა მართვით 10-12° C-ზე გაცხილებული. დალევი ასალეგმრება.

LADO GUDIASHVILI | 1894 — 1980  
The original works of art are preserved in the Art Palace of Georgia

მოცულობა: 750 მლ. მოცულობითი სპირტუალულობა: 11.5%  
ენერჯეტული დატვირთვა: 205 კკალ/100მლ.

Volume: 750 ml. Alcohol volume: 11.5% Energy value: 205 kcal/100ml

Produced by "Telavi Valley" JSC,  
Georgia, 2200, Telavi, Tbilisi Highway 3.  
Tel: 2 31 32 4546

მწარმოებელი: ს. კოდინი ველი  
სტაროვოლი, 2200, ქალუვი, ალაზნის  
ვლის ველი #3, ტელ: 2 31 32 4546



There is nothing fundamentally Georgian without the big three – language, homeland and faith. Mtavruli, one of the 14 writings in the world, is an integral attribute of the language; hence our decision to name our wine after the script – like wine, a major component of our DNA – to rearticulate our culture to the world.

2017

*Alazani Valley  
Red Semi Sweet*

**MTAVRULI**

ალაზნის ველი

Alc. 12% / Vol. 750 ml.

2.1



**MTAVRULI** Alazani Valley

Semi sweet red wine is made from Saperavi grape variety, grown in Kakheti. The wine is distinguished by the light color of pomegranate. It is characterized by fresh aromas of red fruit and black berries, with balance of sweet taste and pleasant acidity. Food pairing: fruits and cakes. Serve at 12-14° C. Drink the wine young.

**მთავრული** ალაზნის ველი

წითელი ნახევრად ტკბილი ღვინო, დაშაფავებული კახეთის მიწველი საპერავის ვარს ვერანდებზე. გამოირჩევა ღია პომეგრანტის შეფერილობით. შეფერილად არის გამოხატული წითელი ხილის და შავი კენკრის არომატები. სისაბოლესა და სიძველის სისაბოლესი ბალანსით. იდეალურად ერწყმის ხილს და ნახევრებს. სერვისითაა მართვით 12-14° C-ზე დალევი ასალეგმრება.

LADO GUDIASHVILI | 1894 — 1980  
The original works of art are preserved in the Art Palace of Georgia

მოცულობა: 750 მლ. მოცულობითი სპირტუალულობა: 12%  
ენერჯეტული დატვირთვა: 211 კკალ/100მლ.

Volume: 750 ml. Alcohol volume: 12% Energy value: 211 kcal/100ml

Produced by "Telavi Valley" JSC,  
Georgia, 2200, Telavi, Tbilisi Highway 3.  
Tel: 2 31 32 4546

მწარმოებელი: ს. კოდინი ველი  
სტაროვოლი, 2200, ქალუვი, ალაზნის  
ვლის ველი #3, ტელ: 2 31 32 4546



There is nothing fundamentally Georgian without the big three – language, homeland and faith. Mtavruli, one of the 14 writings in the world, is an integral attribute of the language; hence our decision to name our wine after the script – like wine, a major component of our DNA – to communicate our culture to the world.

2017

**Saperavi**  
**Red Dry**

**MTAVRULI**

საფერავი

Alc. 13% / Vol. 750 ml.

**MTAVRULI Saperavi**

Dry red wine is made from Saperavi grape variety, grown in Kakheti region. Characterized by dark ruby color. Sharply expressed aromas of red fruits and black berries favours (cherry, blackberry). Saperavi has a balanced acidity and long aftertaste. Food pairing: meat dishes. Serve at 16-18° C.

**მთავრული** საფერავი

საფერავი წითელი დრუმი დასავლეთით კახეთში მთავრული სუფრის ერთ-ერთი უმთავრესი სახეობაა. მკვეთრ არის გამოხატული საფერავის დამახასიათებელი არომატი სურსათის და მუხურების არომატით (საფორთხი, მურაბი). საფერავს დამახასიათებელი მდვილობა და ხანგრძლივი დასრულება. იდეალურად ერწყმის ხორბის კერძებს. სერვისის ტემპერატურა 16-18° C-ზე.

**საფერავი**

საფერავი 750 მლ. ალკოჰოლი 13%

საფერავი დასავლეთით კახეთში მთავრული სუფრის ერთ-ერთი უმთავრესი სახეობაა. მკვეთრ არის გამოხატული საფერავის დამახასიათებელი არომატი სურსათის და მუხურების არომატით (საფორთხი, მურაბი). საფერავს დამახასიათებელი მდვილობა და ხანგრძლივი დასრულება. იდეალურად ერწყმის ხორბის კერძებს. სერვისის ტემპერატურა 16-18° C-ზე.

Produced by "Istari Valley" JSC, Georgia, 2200, Telavi, Tbilisi Highway 3, Tel: 231 92 4046

შარბილეთი-სა. "საფერავი ვალი" სპერავული, 2200, ქ. თელავი, თბილისის გზატკეცილი 3, ტელ: 231 92 4046

507822 891222

სადაცაა საფერავი / Date of Billing

3.1

There is nothing fundamentally Georgian without the big three – language, homeland and faith. Mtavruli, one of the 14 writings in the world, is an integral attribute of the language; hence our decision to name our wine after the script – like wine, a major component of our DNA – to communicate our culture to the world.

2016

**MTAVRULI**

Alc. 12% / Vol. 750 ml.

2016

**MTAVRULI**

Alc. 12% / Vol. 750 ml.

4.1

There is nothing fundamentally Georgian without the big three – language, homeland and faith. Mtavruli, one of the 14 writings in the world, is an integral attribute of the language; hence our decision to name our wine after the script – like wine, a major component of our DNA – to communicate our culture to the world.

2017

**MTAVRULI**

Alc. 12% / Vol. 750 ml.

2017

**MTAVRULI**

Alc. 12% / Vol. 750 ml.

5.1

There is nothing fundamentally Georgian without the big three – language, homeland and faith. Mtavruli, one of the 14 writings in the world, is an integral attribute of the language; hence our decision to name our wine after the script – like wine, a major component of our DNA – to communicate our culture to the world.

2016

**MTAVRULI**

Alc. 13% / Vol. 750 ml.

2016

**MTAVRULI**

Alc. 13% / Vol. 750 ml.

6.1

There is nothing fundamentally Georgian without the big three – language, homeland and faith. Mtavruli, one of the 14 writings in the world, is an integral attribute of the language; hence our decision to name our wine after the script – like wine, a major component of our DNA – to communicate our culture to the world.

2016

**MTAVRULI**

Alc. 13% / Vol. 750 ml.

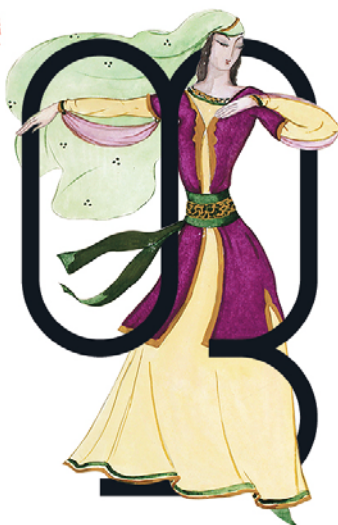
2016

**MTAVRULI**

Alc. 13% / Vol. 750 ml.

7.1

There is nothing fundamentally Georgian without the big three – language, homeland and faith. Mtavriuli, one of the 14 writings in the world, is an integral attribute of the language; hence our decision to name our wine after the script – like wine, a major component of our DNA – to commemorate our culture to the world.



2017

*Pirosmani*  
*Red Semi Dry*

**MTAVRULI**

ფირისმინი

Alc. 12% / Vol. 750 ml.

**MTAVRULI** Pirosmani

Red semi dry wine is made from Saperevi grape variety, grown in Kakheti region. Characterized by the light color of pomegranate. Sharply expressed red fruit aromas. Pirosmani has a balance of sweet taste and pleasant acidity. Food pairing: Fruits, Nuts, Sweet deserts. Serve at 14-16° C. Drink the wine young.

**მთავრული** ფირისმინი

წითელი ნახევრად მშრალი ღვინო, დაშლადელი საგნის რეგიონში მთავრული საგნის ვინის ვარსკვლავი. გამოირჩევა იმის ხროშელის შუგარულით. მკვერთად არის გამოხატული წითელი ხალისი არაშაქტის სითაფხის სიტყვისა და სიხუნის სითაფხის ხალისით. აღუდარად უნდა იქნას, ტკბილედ, მისი და სველი ფერადი. სუკესილი მარცხენა 14-16°C-ზე მიიხვეთ ახლად.

LADO GUGIASHVILI | 1894 — 1980  
The original works of art are preserved in the Art Palace of Georgia

მოცულობა: 750 მლ. მოცულობის სიმკვრივე: 12%  
სერვისისთვის: 128 კლარ/100მლ.

Volume: 750 ml. Alcohol volume: 12% Energy value: 128 kcal/100ml

Produced by "Valley Wine" JSC,  
Georgia, 0208, Tbilisi, Tbilisi Highway 3,  
Tel: 231 52 4588

შარსმუხელი ს. კლდიაშვილი  
საქართველო, 0208, ქველეთის ხეივანი  
კმარბული 3, ტელ: 231 52 4588



8.1

- (10) AD 2019 1063 S
- (21) AD 2018 1063
- (28) 5
- (71) LTD “ZARAPKHANA” (GE)  
Lubianas q. 15, 0159, Tbilisi (GE)
- (72) Ketevan Chichivshvili (GE);  
Tea Tetradze (GE)
- (54) 1.-5. CHESS
- (55)

- (51) 21-01
- (22) 2018 11 07



1.1





1.2



1.3



1.4



2.1



3.3



4.1



5.1

## DESIGNS, WHICH HAVE BEEN REGISTERED WITH THE INTERNATIONAL BUREAU CLAIMING PRIORITY ON THE TERRITORY OF GEORGIA

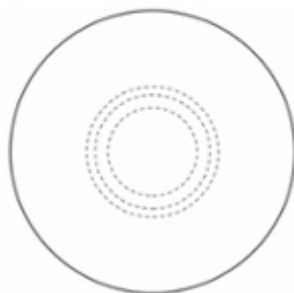
The decision can be appealed at the Chamber of Appeal of Sakpatenti within 3 months from the publication or at the Mtskheta District Court Administrative Cases Board (Address: №17, Samkhedro Str., Mtskheta), within 1 month following the publication.

- (11) **DM/103 792**      (51) **09-01**  
 (15) 2018 10 23      (44) 47/2018 (2018 11 30)  
 (22) 2018 10 23  
 (30) No1: 03.07.2018; 005385507-0001; EM  
 (28) 1  
 (73) SAVERGLASS  
 3 Rue De La Gare, F-60960, FEUQUIERES (FR)  
 (85) FR, EM  
 (86) FR, EM  
 (87) FR, EM  
 (88) FR, EM  
 (89) FR  
 (81) III. AM, CH, GB, GE, JP, KR, MC, NO, SG, TR, UA  
 (74) NOVAGRAAF FRANCE  
 2 Rue Sarah Bernhardt, CS 90017, F-92665, ASNIÈRES-SUR-SEINE Cedex (FR)  
 (54) Bottle  
 (55)

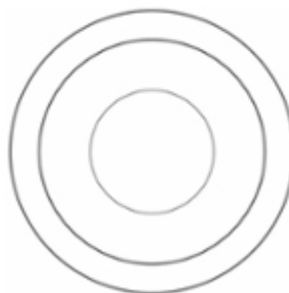
1.1



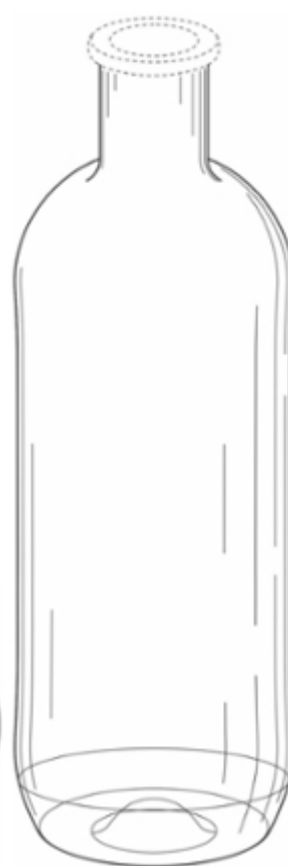
1.2



1.3



1.4



(11) DM/101 418

(51) 10-07

(15) 2018 05 29

(44) 47/2018 (2018 11 30)

(22) 2018 05 29

(28) 1

(73) OMEGA SA (OMEGA AG) (OMEGA LTD.)

Jakob-Stämpfli-Strasse 96, CH-2502 Biel/Bienne (CH)

(85) CH

(86) CH

(87) CH

(88) CH

(89) CH

(81) II. BZ, MA III. AL, AM, AZ, BA, CH, EM, GE, KG, LI, MC, MD, ME, MK, MN, NO, OM, SG, TN, TR, UA

(72) Jean-Claude Monachon

Rue Alice-de-Chambrier 1, 2022, Bevaix (CH)

(74) The Swatch Group AG (The Swatch Group SA) (The Swatch Group Ltd.)

Faubourg Du Lac 6, 2501, Biel/Bienne (CH)

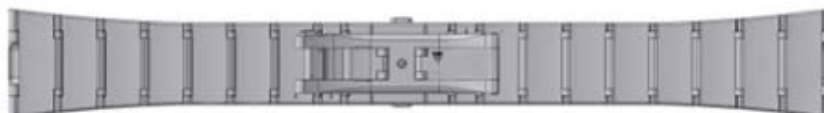
(54) 1. Watch bracelet

(55)

1.1



1.2



1.3

1.4



1.5



1.6



1.7





(11) DM/101 738

(51) 11-01

(15) 2018 06 13

(44) 49/2018 (2018 12 14)

(22) 2018 06 13

(28) 3

(73) HARRY WINSTON SA

Chemin Du Tourbillon 8, CH-1228, Plan-les-Ouates (CH)

(85) CH

(86) CH

(87) CH

(88) CH

(89) CH

(81) II. BZ, MA III. AL, AM, AZ, BA, CH, EM, GE, KG, LI, MC, MD, ME, MK, MN, NO, OM, SG, TN, TR, UA

(72) Dominique RIVIERE

360 E. 72nd Street, Apt. Nb 1003, NY-10021, New York (US)

(74) The Swatch Group AG (The Swatch Group SA) (The Swatch Group Ltd.)

Faubourg Du Lac 6, CH-2501, Biel/Bienne (CH)

(54) 1. Finger ring, 2. Pendant, 3. Finger ring

(55)

1.1



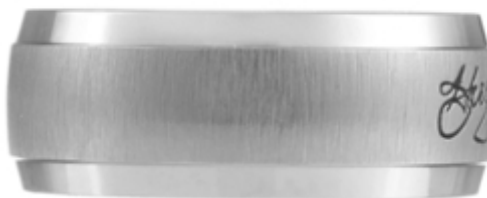
1.2



1.3



1.4



1.5



1.6



1.7



1.8



2.1



2.2



2.3



2.4



2.5



2.6



2.7



2.8



3.1



3.2



3.3



3.4



3.5



3.6



3.7



3.8



- (11) **DM/101 788** (51) **10-07**  
(15) 2018 06 19 (44) 50/2018 (2018 12 21)  
(22) 2018 06 19  
(28) 1  
(73) MONTRES JAQUET DROZ SA (MONTRES JAQUET DROZ AG)  
(MONTRES JAQUET DROZ LTD.)  
Allée Du Tourbillon 2, CH-2300 La Chaux-de-Fonds (CH)  
(85) CH  
(86) CH  
(87) CH  
(88) CH  
(89) CH  
(81) II. BZ, MA III. AL, AM, AZ, BA, CH, EM, GE, KG, LI, MC, MD, ME, MK, MN, NO, OM, SG, TN,  
TR, UA  
(72) Yann Leiggener  
Rue Du Nord 47, CH-2300 La Chaux-de-Fonds (CH)  
Christian Lattmann  
Chemin Du Château-Neuf 17, CH-1125 Monnaz (CH)  
(74) The Swatch Group AG (The Swatch Group SA) (The Swatch Group Ltd.)  
Faubourg Du Lac 6, CH-2501 Biel/Bienne (CH)  
(54) 1. Dial  
(55)

**1**

(11) DM/101 744

(51) 15-02

(15) 2018 06 15

(44) 50/2018 (2018 12 21)

(22) 2018 06 15

(28) 1

(73) BELENOS CLEAN POWER HOLDING AG (BELENOS CLEAN POWER HOLDING SA)  
(BELENOS CLEAN POWER HOLDING LTD)

C/O EM Microelectronic-Marin, Rue Des Sors 3, 2074, Marin (CH)

(85) CH

(86) CH

(87) CH

(88) CH

(89) CH

(81) II. BZ, MA III. AL, AM, AZ, BA, CH, EM, GE, KG, LI, MC, MD, ME, MK, MN, NO, OM, SG, TJ,  
TN, TR, UA

(72) Rexhep Gashi

Fin De La Croix 9, 1762 Givisiez (CH)

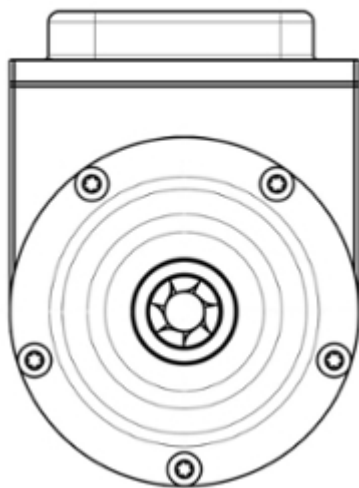
(74) The Swatch Group AG (The Swatch Group SA) (The Swatch Group Ltd.)

Faubourg Du Lac 6, CH-2501 Biel/Bienne (CH)

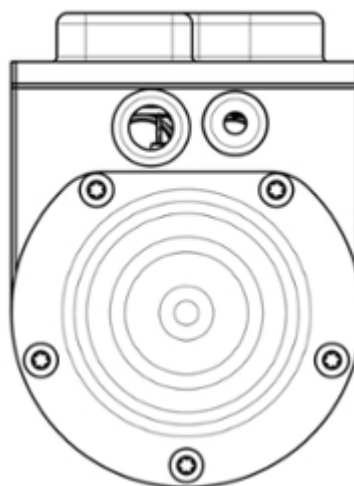
(54) 1. Compressor

(55)

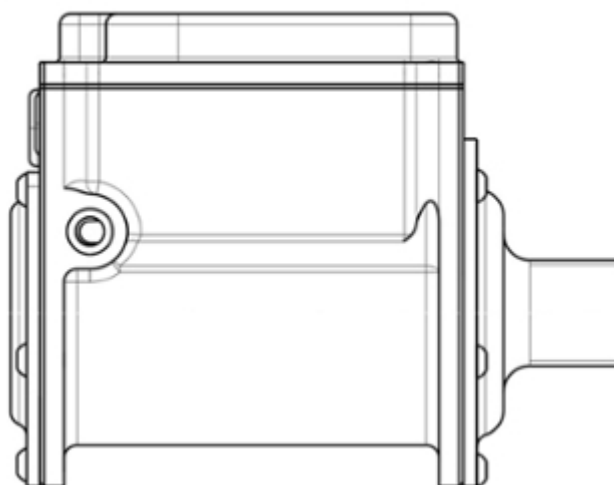
1.1



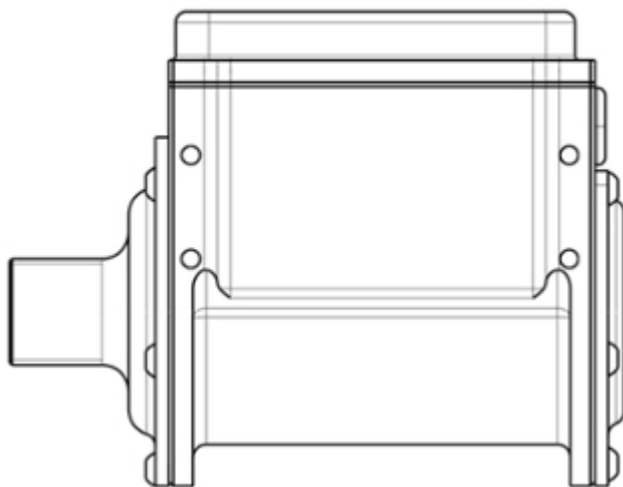
1.2



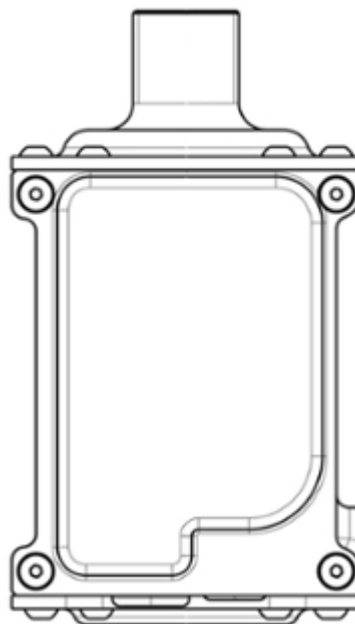
1.3



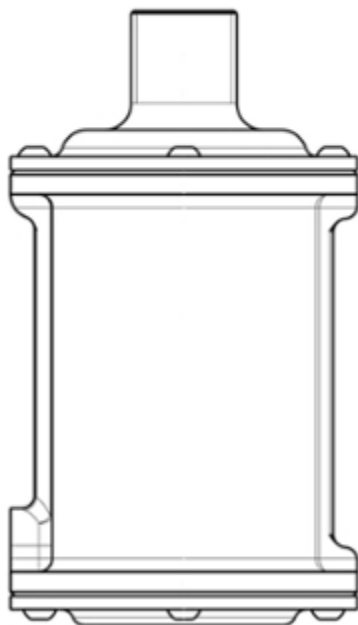
1.4



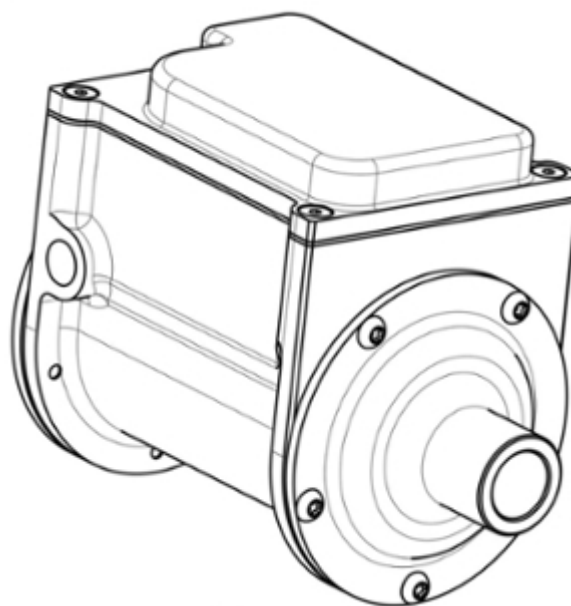
1.5



1.6



1.7



---

# TRADEMARKS

## APPLICATIONS FILED UNDER THE NATIONAL PROCEDURE APPROVED FOR REGISTRATION

The decision can be appealed at the Chamber of Appeal of Sakpatenti within 3 months from the publication or at the Mtskheta District Court Administrative Cases Board (Address: №17, Samkhedro St., Mtskheta), within 1 month following the publication.

(260) AM 2019 96501 A

(210) AM 96501

(220) 21 02 2018

(731) Besik Chikhradze

Sarajishvili Str. 26, Tbilisi, Georgia;

Lasha Mikava

I. Chavchavadze Ave. 33, Ap. 30, Tbilisi,  
Georgia

(740) Vakhtang Torotadze

(540)



(591) Black, white

(531) 27.07.01; 28.01; 28.05

(526) KAZBEK

(511) 33

---

(740) Marieta Lashkhia

(540)



(591) Blue, red, white

(531) 07.01.25; 18.01.16; 25.01.01; 27.05.10;  
29.01.13

(511) 19

---

(260) AM 2019 97185 A

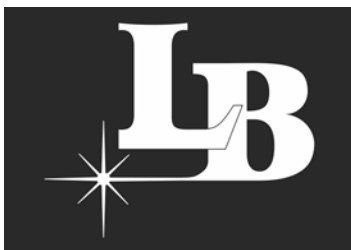
(210) AM 97185

(220) 04 04 2018

(731) I/E Olena Berezhna

S. Khimshiashvili Str. 94a, Ap. 54, Batumi,  
Georgia

(540)



(591) Black, white

(531) 01.01.02; 01.01.12; 26.04.24; 27.05.22;  
27.05.24

(511) 3

---

(260) AM 2019 98004 A

(210) AM 98004

(220) 12 06 2018

(731) Davit Tarkhan-Mouravi

Rodeni Str. 5, Tbilisi, Georgia;

Malkhaz Amashukeli

Br. Zubalashvili Str. 46, 0108, Tbilisi,  
Georgia

(540)



(591) Bordeaux, golden

(531) 24.09.01; 27.05.01; 27.05.03; 27.05.10;  
27.05.24; 28.19; 29.01.13

(511) 33

---

(260) AM 2019 97893 A

(210) AM 97893

(220) 30 05 2018

(731) LTD "MAGNUM GROUP"

Kvartal 17, Plot 497, Kaspi, 2600, Georgia

(260) AM 2019 98198 A  
 (210) AM 98198  
 (220) 22 06 2018  
 (731) LTD "Baisik Group"  
 Kojori Str. 1, Ap. 12, Old Tbilisi District,  
 Tbilisi, Georgia  
 (740) Tamar Kharazishvili  
 (540)

## Basic Center

(591) Black, white  
 (511) 25, 35

(260) AM 2019 98210 A  
 (210) AM 98210  
 (220) 26 06 2018  
 (731) LTD "AQUA GEO"  
 Village Misaktsieli, 3308, Mtskheta,  
 Georgia  
 (540)



(591) White, red, blue, sky-blue  
 (531) 01.01.02; 01.01.10; 06.01.01; 06.01.02;  
 26.01.01; 26.01.13; 27.05.24; 28.19; 29.01.13  
 (526) კობი, KOBİ  
 (511) 32

(260) AM 2019 98223 A  
 (210) AM 98223  
 (220) 27 06 2018  
 (731) Steigenberger Hotels AG  
 Lyoner Str. 25, Frankfurt, 60528, Germany  
 (740) Tamar Kochlamazashvili  
 (540)

# Jaz

(591) Black, white  
 (531) 27.05.01; 27.05.23  
 (511) 39, 41, 43

(260) AM 2019 98224 A  
 (210) AM 98224  
 (220) 27 06 2018  
 (731) Steigenberger Hotels AG  
 Lyoner Str. 25, Frankfurt, 60528, Germany  
 (740) Tamar Kochlamazashvili  
 (540)

# Jaz

  
 in the city

(591) Lilac, White.  
 (531) 27.05.01; 27.05.23; 29.01.05  
 (511) 39, 41, 43

(260) AM 2019 98225 A  
 (210) AM 98225  
 (220) 27 06 2018  
 (731) Steigenberger Hotels AG  
 Lyoner Str. 25, Frankfurt, 60528, Germany  
 (740) Tamar Kochlamazashvili  
 (540)



(591) Lilac, white  
 (531) 26.04.02; 26.04.22; 26.04.24; 27.05.24;  
 29.01.12  
 (511) 39, 41, 43

(260) AM 2019 98248 A  
 (210) AM 98248  
 (220) 02 07 2018  
 (731) Vakhtang Pkhakadze  
 I. Chavchavadze Ave. 78, Bldg. 1, Ap. 4,  
 0162, Tbilisi, Georgia  
 (740) Giorgi Taktakishvili  
 (540)

## Arome Boutique

### არომის ბუტიკი

(591) Black, white  
 (511) 3, 35, 44



(260) AM 2019 98380 A  
 (210) AM 98380  
 (220) 04 07 2018  
 (731) LTD "NOVA PRODUCTIONS"  
 Z. Paliashvili Str. 64, 0179, Tbilisi,  
 Georgia  
 (540)



(591) Turquoise, golden, blue, grey  
 (531) 01.07.06; 28.19; 29.01.13  
 (511) 41

(260) AM 2019 98391 A  
 (210) AM 98391  
 (220) 05 07 2018  
 (731) SAGHAMURI  
 Dighomi array, Kvart. VI, Bldg. 16,  
 Ap. 26-27, 0159, Tbilisi, Georgia  
 (540)



(591) Yellow, green, crimson, blue, black,  
 sky-blue, red  
 (531) 09.01.18; 09.01.22; 09.01.25; 26.01.05;  
 29.01.15  
 (511) 25

(260) AM 2019 98397 A  
 (210) AM 98397  
 (220) 09 07 2018  
 (731) LTD "Georgian Wine House"  
 Village Zegaani, 1500, Gurjaani District,  
 Georgia  
 (740) Sopio Vacheishvili  
 (540)

**სალხენი**  
**Salkheni**  
**Салхени**

(591) Black, white  
 (511) 33

(260) AM 2019 98433 A  
 (210) AM 98433  
 (220) 13 07 2018  
 (731) JSC "LIBERTY BANK"  
 I. Chavchavadze Ave. 74, 0162, Tbilisi,  
 Georgia  
 (740) Mikheil Kvaraia  
 (540)



(591) Red  
 (531) 27.07.01; 27.07.17; 27.07.17; 27.07.25;  
 29.01.01; 29.01.11  
 (511) 36

(260) AM 2019 98441 A  
 (210) AM 98441  
 (220) 16 07 2018  
 (731) Six Continents Limited  
 Broudvota Parki, Denemi, Bakingemshiri UB9  
 5HR, United Kingdom  
 (740) Shalva Gvaramadze  
 (540)

**AVID**

(591) Black, white  
 (511) 35, 43

(260) AM 2019 98548 A  
 (210) AM 98548  
 (220) 17 07 2018  
 (731) JSC "GEFA"  
 Sanapiro Str. 6, 0108, Tbilisi, Georgia  
 (740) Salome Jeladze  
 (540)

**რეჰიდრო კომფორტი**  
**Rehidro Comfort**  
**Регидро Комфорт**

(591) Black, white  
 (511) 5

(260) AM 2019 98551 A  
 (210) AM 98551  
 (220) 17 07 2018  
 (731) LTD "OKTINA"  
 The territory of the Agrarian University,  
 Vake-Saburtalo District, Tbilisi, Georgia  
 (740) Salome Jeladze

(540)

**VINOLA**  
**ვინოლა**

(591) Black, white  
(511) 33

(260) AM 2019 98564 A

(210) AM 98564

(220) 19 07 2018

(731) Eka Kopaleishvili

Ostazhenka Str. 25, Ap. 41, Moscow,  
Russian Federation

(740) Giorgi Taktakishvili

(540)



(591) Golden

(531) 25.01.25; 27.05.21; 29.01.02

(511) 41, 43

(260) AM 2019 98581 A

(210) AM 98581

(220) 20 07 2018

(731) LTD "AGRONOM"

L. Gotua Str. 12a, 0160, Tbilisi, Georgia

(540)

**PRIMO**  
**პრიმო**  
**ПРИМО**

(591) Black, white

(511) 5

(260) AM 2019 98582 A

(210) AM 98582

(220) 20 07 2018

(731) LTD "AGRONOM"

L. Gotua Str. 12a, 0160, Tbilisi, Georgia

(540)

**MUSTANG**  
**მუსტანგი**  
**МУСТАНГ**

(591) Black, white

(511) 5

(260) AM 2019 98668 A

(210) AM 98668

(220) 24 07 2018

(731) Post ALIONI

N. Dumbadze Str. 25, 4900, Chokhatauri,  
Georgia

(540)



(591) Red, sky-blue

(531) 09.05.01; 26.03.01; 26.03.12; 26.03.19;  
27.05.01; 29.01.13

(511) 35, 41

(260) AM 2019 98670 A

(210) AM 98670

(220) 24 07 2018

(731) LTD "Prime Beverage of Georgia"

Gldani District, III mkr., Bldg. 87, Ap. 60,  
0176, Tbilisi, Georgia

(740) Shalva Gvaramadze

(540)

**ტინტინი**  
**ТинТин**  
**TinTin**

(591) Black, white

(511) 32, 33

(260) AM 2019 98671 A

(210) AM 98671

(220) 24 07 2018

(731) LTD "Prime Beverage of Georgia"

Gldani District, III mkr., Bldg. 87, Ap. 60,  
0176, Tbilisi, Georgia

(740) Shalva Gvaramadze

(540)

**ლასკარი**  
**Ласкари**  
**Laskari**

(591) Black, white

(511) 32, 33

(260) AM 2019 98674 A  
 (210) AM 98674  
 (220) 24 07 2018  
 (731) ADAMA AGAN Ltd  
 P.O. Box 262, Northern Industrial Zone,  
 Ashdod 7710201, Israel

(740) Merab Kvimsadze  
 (540)

**GLYPHOGAN**

(591) Black, white  
 (511) 5

(260) AM 2019 98675 A  
 (210) AM 98675  
 (220) 24 07 2018  
 (731) ADAMA AGAN Ltd  
 P.O. Box 262, Northern Industrial Zone,  
 Ashdod 7710201, Israel

(740) Merab Kvimsadze  
 (540)

**PENDIGAN**

(591) Black, white  
 (511) 5

(260) AM 2019 98676 A  
 (210) AM 98676  
 (220) 24 07 2018  
 (731) ADAMA MAKHTESHIM LTD  
 P.O. Box 60, Beer Sheva 8410001, Israel

(740) Merab Kvimsadze  
 (540)

**APOLLO**

(591) Black, white  
 (511) 5

(260) AM 2019 98677 A  
 (210) AM 98677  
 (220) 24 07 2018  
 (731) ADAMA MAKHTESHIM LTD  
 P.O. Box 60, Beer Sheva 8410001, Israel

(740) Merab Kvimsadze  
 (540)

**BUMPER**

(591) Black, white  
 (511) 5

(260) AM 2019 98678 A  
 (210) AM 98678  
 (220) 24 07 2018  
 (731) ADAMA MAKHTESHIM LTD  
 P.O. Box 60, Beer Sheva 8410001, Israel

(740) Merab Kvimsadze

(540)

**MAVRIK**

(591) Black, white  
 (511) 5

(260) AM 2019 98679 A  
 (210) AM 98679  
 (220) 24 07 2018  
 (731) LTD "Globalpharm"  
 Almasiani Str. 13a/Berbuti Str. 8, 0171,  
 Tbilisi, Georgia

(540)

**კლოდიზონ**

**КЛОДИЗОН**  
**CLODIZON**

(591) Black, white  
 (511) 5

(260) AM 2019 98680 A  
 (210) AM 98680  
 (220) 24 07 2018  
 (731) ADAMA MAKHTESHIM LTD  
 P.O. Box 60, Beer Sheva 8410001, Israel

(740) Merab Kvimsadze  
 (540)

**MERPAN**

(591) Black, white  
 (511) 5

(260) AM 2019 98681 A  
 (210) AM 98681  
 (220) 24 07 2018  
 (731) LTD "Globalpharmi"  
 Almasiani Str. 13a/Berbuti Str. 8, 0171,  
 Tbilisi, Georgia

(540)

**დულექსა**

**Дулекса**  
**DULEXA**

(591) Black, white  
 (511) 5

(260) AM 2019 98687 A  
 (210) AM 98687  
 (220) 25 07 2018  
 (731) LTD "G-M-P"  
 Village Ponitchala 65, 0165, Tbilisi,  
 Georgia

(740) Nugzar Ksovreli

(540)

ბისპერილი  
БИСПЕРИЛ  
BISPERIL

(591) Black, white  
(511) 5

(260) AM 2019 98688 A  
(210) AM 98688  
(220) 26 07 2018  
(731) Le Grand  
Khizanishvili Str. 3, 0192, Tbilisi,  
Georgia  
(540)



(591) Light turquoise, Black, golden  
(531) 25.01.25; 26.01.12; 26.01.16; 26.04.02;  
26.04.10; 26.04.24; 27.05.01; 27.05.19;  
27.05.24; 29.01.13  
(511) 44

(260) AM 2019 98689 A  
(210) AM 98689  
(220) 26 07 2018  
(731) Aleksandre Jokhadze  
D. Gamrekeli Str. 10, Ap. 72, 0194, Tbilisi,  
Georgia  
(540)



(591) Black, white  
(531) 03.07.01; 03.07.16; 19.09.01; 19.09.02  
(511) 33

(260) AM 2019 98692 A  
(210) AM 98692  
(220) 26 07 2018  
(731) Bentli Motorz Limitid  
Rm. 517, Niu Siti Sentr, 2 Lei Iu Mun Roud,  
Kvun Tong, Kouluni, Hong Kong  
(740) Liliana Darakhvelidze  
(540)



BENTLEY

(591) Black, white  
(531) 03.07.17; 26.01.01; 26.01.18  
(511) 36, 43

(260) AM 2019 98696 A  
(210) AM 98696  
(220) 27 07 2018  
(731) Oleksandr Ishuk  
Nutsbidze Str. 26a, Ap. 83, 0186, Tbilisi,  
Georgia  
(540)



(591) Dark yellow, sky-blue, dark blue, white  
(531) 02.01.01; 02.01.04; 06.01.02; 26.04.03;  
26.04.09; 26.04.14; 27.05.01; 27.05.10;  
29.01.14  
(511) 39

(260) AM 2019 98755 A  
(210) AM 98755  
(220) 27 07 2018  
(731) LTD "CHANNEL GEORGIA"  
P. Kavtaradze Str. 15, Floor 2, Commercial  
Space 3, Tbilisi, Georgia  
(740) Amza Kakauridze

(540)



(591) Red, white, black, gray  
 (531) 26.11.08; 27.05.01; 27.05.10; 27.05.11;  
 27.05.22; 29.01.14  
 (511) 35

(260) AM 2019 98756 A  
 (210) AM 98756  
 (220) 30 07 2018  
 (731) Getz Pharma International FZ LLC  
 Office No. 1307, 13th Floor, Al-Thuraya  
 Tower 1, Dubai Media City, Dubai, United  
 Arab Emirates  
 (740) Merab Kvimsadze  
 (540)

**SOLIGET**

(591) Black, white  
 (511) 5

(260) AM 2019 98759 A  
 (210) AM 98759  
 (220) 30 07 2018  
 (731) BILLBOARD IP HOLDINGS LLC  
 340 Madison Avenue, New York, New York  
 10173, USA  
 (740) Pavle Meipariani  
 (540)



(591) Black, white  
 (531) 27.05.01; 27.05.09; 27.05.17; 27.05.21;  
 27.05.25  
 (511) 9, 14, 18, 25

(260) AM 2019 98760 A  
 (210) AM 98760  
 (220) 30 07 2018  
 (731) BILLBOARD IP HOLDINGS LLC

340 Madison Avenue, New York, New York  
 10173, USA

(740) Pavle Meipariani  
 (540)

**billboard**

(591) Black, white  
 (531) 27.05.01; 27.05.17  
 (511) 9, 14, 18, 25

(260) AM 2019 98761 A  
 (210) AM 98761  
 (220) 30 07 2018  
 (731) BILLBOARD IP HOLDINGS LLC  
 340 Madison Avenue, New York, New York  
 10173, USA  
 (740) Pavle Meipariani  
 (540)

**BILLBOARD**

(591) Black, white  
 (511) 9, 14, 18

(260) AM 2019 98771 A  
 (210) AM 98771  
 (220) 01 08 2018  
 (731) UCB Biopharma SPRL  
 Allée de la Recherche 60, B-1070 Brussels,  
 Belgium  
 (740) Tamaz Shilakadze  
 (540)

**АПТИК**

(591) Black, white  
 (511) 5

(260) AM 2019 98971 A  
 (210) AM 98971  
 (220) 13 08 2018  
 (731) Bank Of America Corporation  
 100 North Tryon Street, Charlotte,  
 North Carolina, 28255, USA  
 (740) Tamar Kochlamazashvili  
 (540)

**BOFA**

(591) Black, white  
 (511) 36, 42

(260) AM 2019 98983 A  
 (210) AM 98983  
 (220) 15 08 2018  
 (731) LTD "GOTRIP"  
 Bakhtioni Str. 39 Ap. 26, 0194, Tbilisi,  
 Georgia

(540)



(591) Black, green

(531) 02.09.19; 27.03.01; 27.03.02; 29.01.12

(511) 38, 39, 42

---

(260) AM 2019 99050 A

(210) AM 99050

(220) 17 08 2018

(731) LTD "SITUATIONIST"

Adam Mitskevich Str. 6, Ap. 27, Saburtalo  
District, Tbilisi, Georgia

(540)

**SITUATIONIST**

(591) Black, white

(531) 27.05.01

(511) 18, 25, 35

---

(260) AM 2019 99070 A

(210) AM 99070

(220) 23 08 2018

(310) 017888257

(320) 16 04 2018

(330) EUIPO

(731) British American Tobacco (Brands) Inc.  
(a Delaware corporation)

Litl Folz Draiv, Suit 100 Delaveri,  
Wilmington, 19808-1674, USA

(740) Tamar Kochlamazashvili

(540)

**PALL MALL  
EXPERIENCE**

(591) Black, white

(511) 34

---

## REGISTERED TRADEMARKS

<p>(111) M 2019 30860 R            (151) 04 03 2019            (181) 04 03 2029            (260) AM 2017 92222 A            (220) 18 05 2017            (732) ALLIED GLOBAL TOBACCO LTD                  Wey Court West, Union Road, Farnham,                  Surrey, GU9 7PT, United Kingdom</p>	<p>Existing Under The Laws Of China            Lonch Industrial Park, No.4012, Nort Vuhe            Roud, Benshn Strit, Longgengis Raioni,            Shenjeni, Guangdongi, China</p>
<p>(111) M 2019 30861 R            (151) 04 03 2019            (181) 04 03 2029            (260) AM 2017 92994 A            (220) 26 06 2017            (732) LTD "G-M-P"                  Sop. Ponitchala 65, 0165, Tbilisi, Georgia</p>	<p>(111) M 2019 30866 R            (151) 04 03 2019            (181) 04 03 2029            (260) AM 2017 95020 A            (220) 10 11 2017            (732) IOSEB SHAVERDASHVILI                  Sanzona, korp. 2b, b. 1, 0192, Tbilisi, Georgia</p>
<p>(111) M 2019 30862 R            (151) 04 03 2019            (181) 04 03 2029            (260) AM 2017 93623 A            (220) 04 08 2017            (732) Tamar Chigogidze                  I. Chavchavadze I turn. 6, b. 15, 0179, Tbilisi,                  Georgia</p>	<p>(111) M 2019 30867 R            (151) 04 03 2019            (181) 04 03 2029            (260) AM 2017 95140 A            (220) 21 11 2017            (732) NGO "AUTISM RESEARCH AND                  SUPPORTING FOUND"                  Tamarashvili Ave. 2a, 0162, Tbilisi, Georgia</p>
<p>(111) M 2019 30863 R            (151) 04 03 2019            (181) 04 03 2029            (260) AM 2017 93624 A            (220) 04 08 2017            (732) Tamar Chigogidze                  I. Chavchavadze I turn. 6, b. 15, 0179, Tbilisi,                  Georgia</p>	<p>(111) M 2019 30868 R            (151) 04 03 2019            (181) 04 03 2029            (260) AM 2017 95564 A            (220) 20 12 2017            (732) LTD "OVG GROUP"                  Svanidzis q. 4/Tamarashvilis shesakhvevi 4,                  I sart., b. 2, 0132, Tbilisi, Georgia</p>
<p>(111) M 2019 30864 R            (151) 04 03 2019            (181) 04 03 2029            (260) AM 2018 93707 A            (220) 20 02 2018            (732) LTD "GURME"                  Z. Paliashvilis q. 53, 0169, Tbilisi, Georgia</p>	<p>(111) M 2019 30869 R            (151) 04 03 2019            (181) 04 03 2029            (260) AM 2018 95751 A            (220) 04 01 2018            (732) NIKOLOZ SARAJEV                  Gr. Khandztelis q. 3, 0117, Tbilisi, Georgia</p>
<p>(111) M 2019 30865 R            (151) 04 03 2019            (181) 04 03 2029            (260) AM 2017 94535 A            (220) 09 10 2017            (732) LAUNCH TECH CO., LTD                  A Corporation Organized And</p>	<p>(111) M 2019 30870 R            (151) 04 03 2019            (181) 04 03 2029            (260) AM 2018 95752 A            (220) 04 01 2018            (732) NIKOLOZ SARAJEV                  Gr. Khandztelis q. 3, 0117, Tbilisi, Georgia</p>

(111) M 2019 30871 R (151) 04 03 2019 (181) 04 03 2029 (260) AM 2018 95831 A (220) 05 01 2018 (732) ZURAB MOGELADZE I. Chavchavadzis q. 10, Daba Gantiadi, Gagra, Georgia	(111) M 2019 30877 R (151) 04 03 2019 (181) 04 03 2029 (260) AM 2018 96167 A (220) 31 01 2018 (732) LTD "LASARE" Airport Territory area, 0158, Tbilisi, Georgia
(111) M 2019 30872 R (151) 04 03 2019 (181) 04 03 2029 (260) AM 2018 95975 A (220) 12 01 2018 (732) LTD "NEW PHARM GROUP" LTD D. Aghmasheneblis kheivani, XII km, korp. 2, b. 43, Vake-Saburtalos r-ni, 0131, Tbilisi, Georgia	(111) M 2019 30878 R (151) 04 03 2019 (181) 04 03 2029 (260) AM 2018 96168 A (220) 31 01 2018 (732) LTD "LASARE" Airport Territory area, 0158, Tbilisi, Georgia
(111) M 2019 30873 R (151) 04 03 2019 (181) 04 03 2029 (260) AM 2018 95976 A (220) 12 01 2018 (732) LTD "NEW PHARM GROUP" LTD D. Aghmasheneblis kheivani, XII km, korp. 2, b. 43, Vake-Saburtalos r-ni, 0131, Tbilisi, Georgia	(111) M 2019 30879 R (151) 04 03 2019 (181) 04 03 2029 (260) AM 2018 96170 A (220) 31 01 2018 (732) HARRINGTON DEVELOPMENT INC. Elvira Mendez street, Vallarino Bldg, 3rd floor, Panama, Republic of Panama
(111) M 2019 30874 R (151) 04 03 2019 (181) 04 03 2029 (260) AM 2018 96115 A (220) 25 01 2018 (732) LTD "WINE ARTS" I. Chavchavadzis gamz. 16, b. 10, 0179, Tbilisi, Georgia	(111) M 2019 30880 R (151) 04 03 2019 (181) 04 03 2029 (260) AM 2018 96294 A (220) 08 02 2018 (732) JADRAN - GALENSKI LABORATORIJ D.D. Svilno 20, Rijeka, 51000, Croatia
(111) M 2019 30875 R (151) 04 03 2019 (181) 04 03 2029 (260) AM 2018 96116 A (220) 25 01 2018 (732) TENGIZ LOMITASHVILI Ar. Uridianis q. 4, b.62, 0112, Tbilisi, Georgia	(111) M 2019 30881 R (151) 04 03 2019 (181) 04 03 2029 (260) AM 2018 96295 A (220) 08 02 2018 (732) JADRAN - GALENSKI LABORATORIJ D.D. Svilno 20, Rijeka, 51000, Croatia
(111) M 2019 30876 R (151) 04 03 2019 (181) 04 03 2029 (260) AM 2018 96159 A (220) 30 01 2018 (732) ) LTD "KHAOS MARANI" "Kotekhi Ferm", Gurjaani, 1500, Georgia	(111) M 2019 30882 R (151) 04 03 2019 (181) 04 03 2029 (260) AM 2018 96302 A (220) 09 02 2018 (732) LTD "IOKOHAMA GEORGIA" Sop. Dighomi/D. Aghmasheneblis kheivani/ mimdebare teritoria/sop. Dighmis teritoria (nakveti N34/533), Georgia
	(111) M 2019 30883 (151) 04 03 2019 (181) 04 03 2029



(260) AM 2018 96331 A  
(220) 14 02 2018  
(732) NINE WEST DEVELOPMENT LLC  
1411 Broadway, New York, NY 10018, USA

---

(111) M 2019 30884 R  
(151) 04 03 2019  
(181) 04 03 2029  
(260) AM 2018 96350 A  
(220) 15 02 2018  
(732) BROWN-FORMAN FINLAND LTD  
Porkkalankatu 24, Helsinki, 00180, Finland

---

(111) M 2019 30885 R  
(151) 04 03 2019  
(181) 04 03 2029  
(260) AM 2018 96448 A  
(220) 20 02 2018  
(732) BRITISH AMERICAN TOBACCO  
(BRANDS) LIMITED  
Gloube House 4, Temple Place, London,  
WC2R 2PG, United Kingdom

---

(111) M 2019 30886 R  
(151) 04 03 2019  
(181) 04 03 2029  
(260) AM 2018 96453 A  
(220) 20 02 2018  
(732) WILLIAM GRANT & SONS IRISH  
BRANDS LIMITED  
4th Floor, Block D, Iveagh Court, Harcourt  
Road, Dublin 2, Ireland

---

(111) M 2019 30887 R  
(151) 04 03 2019  
(181) 04 03 2029  
(260) AM 2018 96463 A  
(220) 20 02 2018  
(732) LLC "Masloektrakcionniy Zavod Iug Rusi"  
Pl. Tolstogo 8, Rostov-Na-Donu,  
344037, Rostovskaya Oblast, Rostov-na-  
Donu, Russian Federation

---

(111) M 2019 30888 R  
(151) 04 03 2019  
(181) 04 03 2029  
(260) AM 2018 96495 A  
(220) 21 02 2018  
(732) GENADY VASILIEVICH JURRAVLOV  
Federal prospect, house 28, B. 47, Moscow,  
111399, Russia Federation

---

(111) M 2019 30889 R  
(151) 04 03 2019  
(181) 04 03 2029  
(260) AM 2018 96508 A  
(220) 21 02 2018  
(732) LLC "Chernyanskiy Zavod Rastitelnikh Masel"  
Ul. Magistralnaya, 12, Chernyanskiy Raion,  
Posiolok Chernyanka, Belgorodskaya Oblast,  
309560, Russian Federation

---

(111) M 2019 30890 R  
(151) 04 03 2019  
(181) 04 03 2029  
(260) AM 2018 96509 A  
(220) 21 02 2018  
(732) LLC "Chernyanskiy Zavod Rastitelnikh Masel"  
Ul. Magistralnaya, 12, Chernyanskiy Raion,  
Posiolok Chernyanka, Belgorodskaya Oblast,  
309560, Russian Federation

---

(111) M 2019 30891 R  
(151) 04 03 2019  
(181) 04 03 2029  
(260) AM 2018 96557 A  
(220) 26 02 2018  
(732) ENTERPRISE HOLDINGS, INC  
600 Corporate Park Drive, St. Louis, MO  
63105, USA

---

(111) M 2019 30892 R  
(151) 04 03 2019  
(181) 04 03 2029  
(260) AM 2018 96558 A  
(220) 26 02 2018  
(732) ENTERPRISE HOLDINGS, INC  
600 Corporate Park Drive, St. Louis, MO  
63105, USA

---

(111) M 2019 30893 R  
(151) 04 03 2019  
(181) 04 03 2029  
(260) AM 2018 96562 A  
(220) 27 02 2018  
(732) ADEN & ANAIS, INC.  
Suite 600, 20 Jay Street, Brooklyn, New York,  
11201, USA

---

(111) M 2019 30894 R  
(151) 04 03 2019  
(181) 04 03 2029  
(260) AM 2018 96563 A  
(220) 27 02 2018  
(732) ADEN & ANAIS, INC.

---

Suite 600, 20 Jay Street, Brooklyn, New York,  
11201, USA ს88

Davit Aghmasheneblis qamz. 148/2, 0112,  
Tbilisi, Georgia

(111) M 2019 30895 R  
(151) 04 03 2019  
(181) 04 03 2029  
(260) AM 2018 96564 A  
(220) 27 02 2018  
(732) ADEN & ANAIS, INC.  
Suite 600, 20 Jay Street, Brooklyn, New York,  
11201, USA

(111) M 2019 30901 R  
(151) 04 03 2019  
(181) 04 03 2029  
(260) AM 2018 96733 A  
(220) 09 03 2018  
(732) ENERGIZER BRANDS II LLC  
533 Maryville University Drive, St. Louis,  
Missouri 63141, USA

(111) M 2019 30896 R  
(151) 04 03 2019  
(181) 04 03 2029  
(260) AM 2018 96565 A  
(220) 27 02 2018  
(732) ADEN & ANAIS, INC.  
Suite 600, 20 Jay Street, Brooklyn, New York,  
11201, USA

(111) M 2019 30902 R  
(151) 04 03 2019  
(181) 04 03 2029  
(260) AM 2018 96734 A  
(220) 09 03 2018  
(732) ENERGIZER BRANDS II LLC  
533 Maryville University Drive, St. Louis,  
Missouri 63141, USA

(111) M 2019 30897 R  
(151) 04 03 2019  
(181) 04 03 2029  
(260) AM 2018 96679 A  
(220) 06 03 2018  
(732) ) LTD "KUKU STAR"  
Romanoz Khomlelis q., korp. 7, b. 89, 0182,  
Tbilisi, Georgia

(111) M 2019 30903 R  
(151) 04 03 2019  
(181) 04 03 2029  
(260) AM 2018 96841 A  
(220) 15 03 2018  
(732) ABBOTT POINT OF CARE INC.  
(a corporation of the State of Delaware)  
400 College Road East, New Jersey, Princeton,  
08540, USA

(111) M 2019 30898 R  
(151) 04 03 2019  
(181) 04 03 2029  
(260) AM 2018 96707 A  
(220) 07 03 2018  
(732) LTD "KARTVELI"  
Kakhetis Gzat. 110a, 0151, Tbilisi, Georgia

(111) M 2019 30904 R  
(151) 04 03 2019  
(181) 04 03 2029  
(260) AM 2018 96867 A  
(220) 16 03 2018  
(732) JSC INSURANCE COMPANY "PRIME"  
Al. Kazbegis Gamz. 32a, sad. I, sart. 2,  
Komerciuili Parti 8, 0177, Tbilisi, Georgia

(111) M 2019 30899 R  
(151) 04 03 2019  
(181) 04 03 2029  
(260) AM 2018 96723 A  
(220) 09 03 2018  
(732) I/E GIVI GORDADZE  
I. Chavchavadzis gamz. 76, 0162, Tbilisi,  
Georgia

(111) M 2019 30905 R  
(151) 04 03 2019  
(181) 04 03 2029  
(260) AM 2018 96889 A  
(220) 19 03 2018  
(732) LTD "BORUN LIGHT"  
Marneulis q. 44, Kvemo Ponitchala, 0165,  
Tbilisi, Georgia

(111) M 2019 30900 R  
(151) 04 03 2019  
(181) 04 03 2029  
(260) AM 2018 96732 A  
(220) 09 03 2018  
(732) LTD "AVERSI-PHARMA"

(111) M 2019 30906 R  
(151) 04 03 2019  
(181) 04 03 2029  
(260) AM 2018 96974 A

(220) 21 03 2018  
(732) LTD "LIGA+"  
Golovinis q.19, Isnis r-ni, 0103, Tbilisi, Georgia

---

(111) M 2019 30907 R  
(151) 04 03 2019  
(181) 04 03 2029  
(260) AM 2018 96975 A  
(220) 21 03 2018  
(732) LTD "LIGA+"  
Golovinis q.19, Isnis r-ni, 0103, Tbilisi, Georgia

---

(111) M 2019 30908 R  
(151) 04 03 2019  
(181) 04 03 2029  
(260) AM 2018 96976 A  
(220) 22 03 2018  
(732) SANRIO COMPANY, LTD.  
1-6-1 Osaki, Shinagawa-ku, Tokyo, Japan

---

(111) M 2019 30909 R  
(151) 04 03 2019  
(181) 04 03 2029  
(260) AM 2018 97001 A  
(220) 23 03 2018  
(732) LTD "TRAVEL TO GEORGIA 2010"  
Z. Paliashvilis q.10/Barnovis q. 83a, b. 8,  
Tbilisi, Georgia

---

(111) M 2019 30910 R  
(151) 04 03 2019  
(181) 04 03 2029  
(260) AM 2018 97003 A  
(220) 26 03 2018  
(732) LTD "BORAN LIGHT"  
Marneulis q. 44, Kvemo Ponitchala, Tbilisi,  
Georgia

---

## TRADEMARKS REGISTERED ACCORDING TO THE ACCELERATED PROCEDURE

The decision can be appealed at the Chamber of Appeal of Sakpatenti within 3 months from the publication.

(111) M 2019 30847 R  
 (151) 22 02 2019  
 (181) 22 02 2029  
 (210) AM 101631  
 (220) 12 02 2019  
 (732) Nikoloz Tsiklauri  
 Burdzgla Str. 80, Tbilisi, Georgia  
 (540)



(591) Black-white  
 (531) 24.09.05; 24.09.09; 27.05.01; 27.05.10;  
 27.05.11  
 (511) 43

(111) M 2019 30848 R  
 (151) 25 02 2019  
 (181) 25 02 2029  
 (210) AM 101649  
 (220) 14 02 2019  
 (732) LTD "MEHRPOL"  
 Mukhiani, I mkr., build. 7, ap. 22, Gldani  
 district, Tbilisi, Georgia  
 (540)

**GFC**  
**ჯგბ**

(591) Black-white  
 (511) 43

(111) M 2019 30849 R  
 (151) 25 02 2019  
 (181) 25 02 2029  
 (210) AM 101526  
 (220) 07 02 2019  
 (732) LTD "OMNESTOUR"  
 Vazha-Pshavela Ave. VI kvart.,  
 build. 20, ap. 36, Tbilisi, Georgia  
 (540)

**OMNIBUS**

(591) White, black, red  
 (531) 27.05.01; 27.05.10; 29.01.12  
 (511) 39

(111) M 2019 30850 R  
 (151) 25 02 2019  
 (181) 25 02 2029  
 (210) AM 101684  
 (220) 20 02 2019  
 (732) LTD "MAKNATUNA"  
 Gugunava Str. 13 (Plot. N4-3/2), 4600,  
 Kutaisi, Georgia  
 (540)



(591) Blue, red, yellow, black, white  
 (531) 01.03.07; 01.03.16; 16.03.13; 28.19; 29.01.15  
 (511) 29, 30

(111) M 2019 30851 R  
 (151) 25 02 2019  
 (181) 25 02 2029  
 (210) AM 101675  
 (220) 19 02 2019  
 (732) Shovgi Aivazov  
 Village Kirach-Mughanlo, Marneuli, Georgia  
 (540)



(554) Free-dimensional  
 (591) Gold, blue, green, orange, yellow  
 (531) 02.07.09; 02.07.10; 02.09.01; 19.03.24;  
 27.05.07; 27.05.10; 29.01.15  
 (511) 5

(111) M 2019 30852 R  
 (151) 25 02 2019  
 (181) 25 02 2029  
 (210) AM 101648  
 (220) 14 02 2019  
 (732) LTD "KARTLIKARI"  
 Krtsanisi Str. 22-24, (Plot N15/67),  
 Floor. 1, Comercial Space 3, Blok A,  
 Mtatsminda district, Tbilisi, Georgia  
 (740) Levan Nikoladze  
 (540)



(591) Green, white  
 (531) 16.01.01; 26.04.11; 26.13.25; 27.05.01;  
 29.01.03  
 (511) 12, 35, 39

(111) M 2019 30853 R  
 (151) 26 02 2019  
 (181) 26 02 2029  
 (210) AM 101392  
 (220) 29 01 2019  
 (732) JSC "Georgian Beer Company"  
 Village Saguramo, 3311, Mtskheta, Georgia  
 (540)

**მანდარინა**  
**Мандарина**  
**mandarina**

(591) Black-white  
 (511) 32

(111) M 2019 30854 R  
 (151) 28 02 2019  
 (181) 28 02 2029  
 (210) AM 101642  
 (220) 13 02 2019  
 (732) Badri Bagatelia  
 Ir. Abashidze Str. 24, ap. 26, Tbilisi,  
 0179, Georgia

(740) Zurab Bezhashvili  
 (540)

**მარგე**  
**marge**  
**марге**

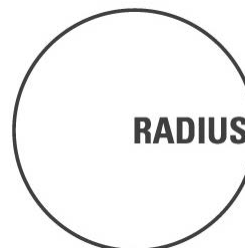
(591) Black-white  
 (511) 43

(111) M 2019 30855 R  
 (151) 01 03 2019  
 (181) 01 03 2029  
 (210) AM 101527  
 (220) 07 02 2019  
 (732) LTD "Georgian Wine House"  
 Village Zegaani, 1500, Gurjaani district,  
 Georgia  
 (740) Sopio Vacheishvili  
 (540)

**GRUZIŃSKA**  
**PRINCESSA**

(591) Black-white  
 (511) 33

(111) M 2019 30856 R  
 (151) 01 03 2019  
 (181) 01 03 2029  
 (210) AM 101670  
 (220) 19 02 2019  
 (732) LTD "Galeria Tbilisi"  
 Rustaveli Ave. 2/4, (Plot 65/003), 0108,  
 Tbilisi, Georgia  
 (740) Giorgi Taktakishvili  
 (540)



(591) Black-white  
 (531) 26.01.01; 26.01.03; 26.01.20; 27.05.01  
 (511) 43

(111) M 2019 30857 R  
 (151) 01 03 2019  
 (181) 01 03 2029  
 (210) AM 101669  
 (220) 19 02 2019  
 (732) LTD "Galeria Tbilisi"

Rustaveli Ave. 2/4, (Plot 65/003), 0108,  
Tbilisi, Georgia  
(740) Giorgi Taktakishvili  
(540)



(591) Black-white  
(531) 26.01.01; 26.01.03; 26.01.20  
(511) 43

(111) M 2019 30858 R  
(151) 01 03 2019  
(181) 01 03 2029  
(210) AM 101668  
(220) 19 02 2019  
(732) LTD "Galeria Tbilisi"  
Rustaveli Ave. 2/4, (Plot 65/003), 0108,  
Tbilisi, Georgia  
(740) Giorgi Taktakishvili  
(540)

რადიუსი  
**Radius**

(591) Black-white  
(511) 43

(111) M 2019 30859 R  
(151) 01 03 2019  
(181) 01 03 2029  
(210) AM 91657  
(220) 11 04 2017  
(732) S.L.N. COFFEE PVT LTD P.B.  
P.B. N47, KIADB Industrial Area, Kudlur,  
Kushalnagar-571234, Kodagu, Karnataka  
India  
(740) Konstantine Verulashvili  
(540)



(591) Yellow, brown, red  
(531) 05.07.27; 24.03.14; 25.01.01; 25.01.25;  
27.05.01; 29.01.13  
(511) 30

## INTERNATIONAL TRADEMARKS FOR WHICH A DECISION ON GRANTING PROTECTIONS IS TAKEN

The decision can be appealed at the Chamber of Appeal of Sakpatenti within 3 months from the publication or at the Mtskheta District Court Administrative Cases Board (Address: №17, Samkhedro str., Mtskheta), within 1 month following the publication.

(260) AM 2019 94646 A\*

(800) 1232715

(151) 2014 11 13

(891) 2017 09 27

(731) Union Postale Universelle, Bureau International  
Weltpoststrasse 4, CH-3015 Berne, Switzerland

(540)



(591) Black, white

(531) 26.13.25; 27.05.11

(551) Collective

(511)

35 – Advertising; business management; business administration; office functions.

36 – Insurance underwriting; financial affairs; monetary affairs; real estate affairs.

38 – Telecommunications.

(260) AM 2019 95390 A

(800) 801821

(151) 2003 04 14

(891) 2017 11 09

(731) HANES INNERWEAR AUSTRALIA PTY LTD  
L1, 115 Cotham Rd, KEW VIC 3101, Australia

(540)



(591) Black and white

(531) 26.04.02; 26.04.22; 26.04.24; 26.11.25; 27.05.11; 27.05.24

(511)

25 – Clothing, footwear and headgear.

(260) AM 2019 95613 A

(800) 1378788

(151) 2017 06 07

(891) 2017 06 07

(731) Aktsionernoe obshchestvo "GOZNAK" (AO"GOZNAK")

territoriya Petropavlovskaya krepost, d. 3, liter G, RU-197046 Sankt-Peterburg, Russian Federation

(540)



(591) Dark green

(531) 03.07.02; 24.01.09; 27.05.10

(511)

2 – Paints; mordants; varnishes; colorants for beverages; food dyes; food colorants; alizarine dyes; aluminium paints; aluminium powder for painting; asbestos paints; anti-corrosive preparations; fixatives for watercolors [watercolours]; fixatives for watercolors; fixatives for watercolours; silver paste; silver emulsions [pigments]; silvering powders; black japan; auramine; bactericidal paints; badigeon; anti-corrosive bands; Canada balsam; colorants for butter; colorants for beer; bitumen varnish; wood coatings [paints]; wood mordants; wood stains; sienna earth; bronzing lacquers; bronze powder for painting; ink for leather; caramel [food colorant]; malt caramel [food colorant]; coatings for roofing felt [paints]; coatings for tarred felt [paints]; ceramic paints; white lead; carbon black [pigment]; undercoating for vehicle chassis; undersealing for vehicle chassis; shoe dyes; lime wash; printers' pastes [ink]; cobalt oxide [colorant]; cochineal carmine; colophony; colorants; dyestuffs; malt colorants; wood preservatives; copal; aniline dyes; thinners for paints; thinners for lacquers; thickeners for paints; creosote for wood preservation; mordants for leather; stains for leather; dyes; pigments; turmeric [colorant]; natural resins, raw; distempers; enamels [varnishes]; enamels for painting; enamel paints; printing ink; marking ink for animals; siccatives [drying agents] for paints; ink for skin-dressing; coatings [paints];

fixatives [varnishes]; lamp black [pigment]; yellow-wood [colorant]; glazes [paints, lacquers]; gamboge for painting; gum-lac; shellac; gum resins; anti-rust greases; engraving ink; zinc oxide [pigment]; oils for the preservation of wood; anti-rust oils; fireproof paints; indigo [colorant]; binding preparations for paints; agglutinants for paints; colorants for liqueurs; litharge; orange lead; metals in powder form for use in painting, decorating, printing and art; mastic [natural resin]; metal foil for use in painting, decorating, printing and art; anti-tarnishing preparations for metals; protective preparations for metals; minium; red lead; paper for dyeing Easter eggs; annatto [dye-stuff]; annotto [dyestuff]; saffron [colorant]; sandarac; soot [colorant]; sumac for varnishes; titanium dioxide [pigment]; anti-rust preparations; primers; whitewash; dyewood; dye-wood; dyewood extracts; wood dyestuffs; carbonyl [wood preservative]; copal varnish; lacquers; toners [ink] for photocopiers; ink [toner] for photocopiers; anti-fouling paints; toner cartridges, filled, for printers and photocopiers; turpentine [thinner for paints]; repositionable paint patches; watercolour paints for use in art; watercolor paints for use in art; oil paints for use in art; edible inks; edible ink cartridges, filled, for printers.

6 – Steel, unwrought or semi-wrought; steel alloys; steel strip; hoop steel; steel wire; cast steel; steel masts; roller blinds of steel; steel sheets; steel pipes; steel tubes; machine belt fasteners of metal; railway points; railway switches; nozzles of metal; building or furniture fittings of nickel-silver; nickel-silver; aluminium; bronze; aluminium wire; anchor plates; tie plates; jets of metal; latch bars of metal; masts of metal; poles of metal; traps for wild animals; braces of metal for handling loads; harness of metal for handling loads; braces of metal for load handling; harness of metal for load handling; anti-friction metal; tree protectors of metal; cashboxes of metal; silver solder; German silver; silver-plated tin alloys; reinforcing materials, of metal, for concrete; safes [strong boxes]; window stops of metal; door stops of metal; washers of metal; rings of metal; stop collars of metal; strap-hinges of metal; floor tiles of metal; barbed wire; bars for metal railings; beryllium [glucinium]; glucinium [beryllium]; cattle chains; beak-irons [bick-irons]; white metal; armor-plating of metal; armour-plating of metal; box fasteners of metal; bolts of metal; bottles [metal containers] for compressed gas or liquid air; identification bracelets of metal; iron slabs; brazing alloys; flanges of metal [collars]; monuments of bronze for tombs; bronzes for tombstones; bronzes [works of art]; telfer cables; rope thimbles of metal; cable joints of metal, non-electric; cable linkages of metal, non-electric; cadmium; padlocks; shims; ferrules of metal for walking sticks; containers of metal for storing acids; safety cashboxes; hafnium [celtium]; celtium [hafnium]; chains of metal; safety chains of metal; couplings of metal for chains; frames of metal for build-

ding; window pulleys; sash pulleys; ducts of metal, for central heating installations; pipes of metal, for central heating installations; ducts and pipes of metal for central heating installations; horseshoe nails; pegs of metal; chromium; chrome iron; chrome ores; cotter pins of metal; keys; nails; tacks [nails]; brads; wall plugs of metal; cobalt, raw; railway material of metal; pillars of metal for building; water-pipes of metal; sleeves [metal hardware]; tin cans; preserving boxes of metal; preserve tins; containers of metal [storage, transport]; guard rails of metal; chill-molds [foundry]; chill-moulds [foundry]; anvils; roof flashing of metal; elbows of metal for pipes; doors of metal; belt stretchers of metal; crampons of metal [cramps]; cramps of metal [crampons]; pot hooks of metal; window casement bolts; hooks [metal hardware]; ironwork for windows; wire of common metal; copper, unwrought or semi-wrought; copper rings; tubing of metal; containers of metal for compressed gas or liquid air; foot scrapers; door scrapers; drain pipes of metal; iron, unwrought or semi-wrought; fish plates [rails]; screws of metal; tinplate packings; letter boxes of metal; door bells of metal, non-electric; spurs; brackets of metal for building; staircases of metal; window fasteners of metal; pipes of metal; tubes of metal; rails of metal; fittings of metal for windows; iron strip; hoop iron; iron wire; cast iron, unwrought or semi-wrought; iron ores; door closers, non-electric; door springs, non-electric; molybdenum iron; silicon iron; titanium iron; ferrotitanium; tungsten iron; fittings of metal for building; pins [hardware]; eye bolts; screw rings; locks of metal, other than electric; galena [ore]; lead seals; germanium; weather- or wind-vanes of metal; weather vanes of metal; wind vanes of metal; crampons [climbing irons]; ice moulds of metal; grease nipples; grilles of metal; gratings of metal; spring locks; indium; badges of metal for vehicles; jalousies of metal; brass, unwrought or semi-wrought; outdoor blinds of metal; rocket launching platforms of metal; laths of metal; filings of metal; stringers [parts of staircases] of metal; limonite; ingots of common metal; lintels of metal; bed casters of metal; latches of metal; blooms [metallurgy]; magnesium; buildings, transportable, of metal; ferrules of metal for handles; pipe muffs of metal; manganese; handling pallets of metal; transport pallets of metal; steps [ladders] of metal; porches [structures] of metal; door knockers of metal; handcuffs; common metals, unwrought or semi-wrought; ores of metal; wire cloth; wire gauze; pyrophoric metals; furniture casters of metal; sheet piles of metal; pilings of metal; molybdenum; monuments of metal; vice claws of metal; wall claddings of metal for building; nickel; niobium; flashing of metal, for building; house numbers of metal, non-luminous; shutters of metal; palings of metal; baskets of metal; signalling panels, non-luminous and non-mechanical, of metal; wall linings of metal for building; clothes hooks of metal; skating rinks [stru-



ctures] of metal; lock bolts; posts of metal; springs [metal hardware]; pulleys of metal, other than for machines; tent pegs of metal; ceilings of metal; floors of metal; linings of metal for building; turntables [railways]; roofing tiles of metal; lead, unwrought or semi-wrought; diving boards of metal; door handles of metal; rivets of metal; gates of metal; door panels of metal; door bolts of metal; split rings of common metal for keys; telegraph posts of metal; zinc; beams of metal; girders of metal; joists of metal; platforms, prefabricated, of metal; hardware of metal, small; ironmongery; road signs, non-luminous and non-mechanical, of metal; junctions of metal for pipes; wire stretchers [tension links]; packaging containers of metal; tanks of metal; reservoirs of metal; sills of metal; signs, non-luminous and non-mechanical, of metal; greenhouses of metal, transportable; locks of metal for vehicles; stops of metal; silos of metal; bells for animals; bells; soldering wire of metal; valves of metal, other than parts of machines; statues of common metal; railroad ties of metal; railway sleepers of metal; tantalum [metal]; bolts, flat; anvils [portable]; tension links; titanium; roofing of metal; tombac; tombs of metal; turnstiles of metal; lattice-work of metal; trellis of metal; tungsten; pipework of metal; vanadium; casement windows of metal; ferrules of metal; aviaries [structures] of metal; zirconium; balls of steel; steel buildings; fittings of metal for compressed air lines; wire of common metal alloys, except fuse wire; alloys of common metal; aluminium foil; mooring bollards of metal; floating docks of metal, for mooring boats; anchors; wain-scotting of metal; reinforcing materials of metal for pipes; reinforcing materials of metal for building; reinforcing materials of metal for machine belts; works of art of common metal; troughs of metal for mixing mortar; bird baths [structures] of metal; beacons of metal, non-luminous; stretchers for iron bands [tension links]; wrapping or binding bands of metal; bands of metal for tying-up purposes; thread of metal for tying-up purposes; barrels of metal; barrel hoops of metal; casks of metal; swimming pools [structures] of metal; building materials of metal; shuttering of metal for concrete; bicycle parking installations of metal; paving blocks of metal; boxes of common metal; bungs of metal; plugs of metal; sealing caps of metal; buckles of common metal [hardware]; bottle caps of metal; capsules of metal for bottles; sealing caps of metal for bottles; bottle closures of metal; bottle fasteners of metal; knobs of metal; rods of metal for brazing; rods of metal for brazing and welding; rods of metal for welding; straps of metal for handling loads; belts of metal for handling loads; straps of metal for load handling; slings of metal for handling loads; busts of common metal; cabanas of metal; paint spraying booths of metal; booths of metal for spraying paint; cables of metal, non-electric; collars of metal for fastening pipes; clips of metal for cables and pipes; binding

screws of metal for cables; window frames of metal; greenhouse frames of metal; duckboards of metal; chimney cowls of metal; binding thread of metal for agricultural purposes; door openers, non-electric; tiles of metal for building; tile floorings of metal; burial vaults of metal; fittings of metal for coffins; loading pallets of metal; loading gauge rods, of metal, for railway waggons; loading gauge rods, of metal, for railway wagons; hinges of metal; framework of metal for building; door frames of metal; door casings of metal; materials of metal for funicular railway permanent ways; chimney pots of metal; roof gutters of metal; drain traps [valves] of metal; partitions of metal; casings of metal for oilwells; containers of metal for liquid fuel; buildings of metal; floating containers of metal; ropes of metal; cornices of metal; moldings of metal for cornices; mouldings of metal for cornices; angle irons of metal; windows of metal; ironwork for doors; runners of metal for sliding doors; manhole covers of metal; roof coverings of metal; hooks of metal for roofing slates; hooks of metal for clothes rails; copper wire, not insulated; vats of metal; stair treads [steps] of metal; gutter pipes of metal; reels of metal, non-mechanical, for flexible hoses; towel dispensers, fixed, of metal; water-pipe valves of metal; scaffolding of metal; ladders of metal; mobile boarding stairs of metal for passengers; bindings of metal; nuts of metal; poles of metal for power lines; posts of metal for power lines; branching pipes of metal; enclosures of metal for tombs; fences of metal; winding spools of metal, non-mechanical, for flexible hoses; signboards of metal; props of metal; tin; tinplate; tinfoil; sheets and plates of metal; locks of metal for bags; fittings of metal for furniture; building panels of metal; figurines [statuettes] of common metal; statuettes of common metal; stretchers for metal bands [tension links]; foundry molds [moulds] of metal; grave slabs of metal; tomb slabs of metal; monuments of metal for tombs; tombstone plaques of metal; tombstone stelae of metal; memorial plates of metal; memorial plaques of metal; furnace fireguards of metal; cask stands of metal; fittings of metal for beds; door fittings of metal; closures of metal for containers; sheaf binders of metal; crash barriers of metal for roads; chests of metal; bins of metal; identity plates of metal; registration plates of metal; numberplates of metal; cermets; taps of metal for casks; advertisement columns of metal; mooring buoys of metal; chimneys of metal; chimney shafts of metal; ducts of metal for ventilating and air conditioning installations; foils of metal for wrapping and packaging; gold solder; hoppers of metal, non-mechanical; letters and numerals of common metal, except type; manifolds of metal for pipelines; penstock pipes of metal; telephone booths of metal; telephone boxes of metal; tool boxes of metal, empty; tool chests of metal, empty; chicken-houses of metal; wheel clamps [boots]; wire rope; insect screens of metal; pitons of metal;

firedogs [andirons]; wind-driven bird-repelling devices made of metal; metal cages for wild animals; metals in powder form; refractory construction materials of metal; arbours [structures] of metal; stables of metal; pigsties of metal; prefabricated houses [kits] of metal; trays of metal; street gutters of metal; screw tops of metal for bottles; window openers, non-electric; window closers, non-electric; wall tiles of metal; paving slabs of metal; slabs of metal for building; step stools of metal; roofing of metal, incorporating solar cells; armored doors of metal; armoured doors of metal; bathtub grab bars of metal; dispensers for dog waste bags, fixed, of metal; metals in foil or powder form for 3D printers; sash fasteners of metal for windows; door fasteners of metal; pantiles of metal; balustrades of metal; cladding of metal for building.

9 – Coils, electric; particle accelerators; reflecting discs for wear, for the prevention of traffic accidents; protection devices for personal use against accidents; clothing for protection against accidents, irradiation and fire; accumulators, electric, for vehicles; batteries, electric, for vehicles; battery jars; accumulator jars; battery boxes; accumulator boxes; acidimeters for batteries; hydrometers; plates for batteries; whistle alarms; sound alarms; acoustic conduits; sound recording discs; phonograph records; speaking tubes; actinometers; adding machines; aerometers; enlarging apparatus [photography]; electro-dynamic apparatus for the remote control of railway points; magnets; electromagnetic coils; air analysis apparatus; alarms; alcoholmeters; alidades; food analysis apparatus; igniting apparatus, electric, for igniting at a distance; electric apparatus for remote ignition; batteries for lighting; altimeters; asbestos gloves for protection against accidents; asbestos clothing for protection against fire; ammeters; amplifiers; amplifying tubes; amplifying valves; anemometers; calibrating rings; fire extinguishers; anodes; anode batteries; high tension batteries; antennas; aerials; anti-glare glasses; anti-glare visors; anti-dazzle shades; anti-interference devices [electricity]; transformers [electricity]; apertometers [optics]; money counting and sorting machines; distribution boxes [electricity]; surveying instruments; surveying chains; lenses for astrophotography; thermionic tubes; thermionic valves; audiovisual teaching apparatus; coin-operated musical automata [juke boxes]; juke boxes, musical; mechanisms for coin-operated apparatus; mechanisms for counter-operated apparatus; calipers; comparators; fire alarms; automatic indicators of low pressure in vehicle tires [tyres]; automatic indicators of low pressure in vehicle tires; automatic indicators of low pressure in vehicle tyres; protective suits for aviators; alarm bells, electric; rods for water diviners; life-saving rafts; scales; meteorological balloons; demagnetizing apparatus for magnetic tapes; tape recorders; magnetic tapes; barometers; weighing machines; weighbridges; fire bea-

ters; chargers for electric batteries; betatrons; ticket dispensers; cabinets for loudspeakers; close-up lenses; terminals [electricity]; pressure indicator plugs for valves; galvanometers; push buttons for bells; branch boxes [electricity]; tone arms for record players; spirit levels; punched card machines for offices; sheaths for electric cables; frames for photographic transparencies; circular slide rules; slide-rules; calculating machines; slide calipers; jigs [measuring instruments]; blueprint apparatus; cinematographic cameras; capillary tubes; sound recording carriers; protective helmets; respiratory masks, other than for artificial respiration; solderers' helmets; eyeglass chains; spectacle chains; Heat regulating apparatus; darkrooms [photography]; boiler control instruments; drying racks [photography]; editing appliances for cinematographic films; apparatus for editing cinematographic film; printed circuits; flashing lights [luminous signals]; blinkers [signalling lights]; signal bells; containers for microscope slides; collectors, electric; electric installations for the remote control of industrial operations; switchboxes [electricity]; commutators; marine compasses; eyepieces; thread counters; pedometers; counters; meters; metronomes; condensers [capacitors]; capacitors; conductors, electric; electricity conduits; circuit closers; connectors [electricity]; junction boxes [electricity]; switchboards; contacts, electric; apparatus to check franking; apparatus to check stamping mail; regulating apparatus, electric; monitoring apparatus, electric; speed checking apparatus for vehicles; converters, electric; photocopiers [photographic, electrostatic, thermic]; eyeglass cords; spectacle cords; retorts; retorts' stands; correcting lenses [optics]; objectives [lenses] [optics]; cosmographic instruments; diving suits; electric apparatus for commutation; switches, electric; limiters [electricity]; sockets, plugs and other contacts [electric connections]; plugs, sockets and other contacts [electric connections]; current rectifiers; cell switches [electricity]; reducers [electricity]; dressmakers' measures; crucibles [laboratory]; cupels [laboratory]; appliances for measuring the thickness of leather; cyclotrons; counterfeit [false] coin detectors; false coin detectors; shutter releases [photography]; densimeters; animated cartoons; laboratory trays; metal detectors for industrial or military purposes; sonars; detectors; shutters [photography]; diaphragms [acoustics]; centering apparatus for photographic transparencies; cameras [photography]; transparencies [photography]; slides [photography]; slide projectors; transparency projection apparatus; distance measuring apparatus; dictating machines; diffraction apparatus [microscopy]; loudspeakers; circuit breakers; record players; microscopes; distance recording apparatus; apparatus for recording distance; range finders; telemeters; distribution boards [electricity]; distribution consoles [electricity]; compasses for measuring; measures; measuring apparatus; dynamometers; water

level indicators; fire escapes; flash-bulbs [photography]; telephone receivers; fluorescent screens; projection screens; workmen's protective face-shields; screens [photography]; drainers for use in photography; photographic racks; electric loss indicators; measuring devices, electric; cables, electric; ducts [electricity]; control panels [electricity]; galvanic cells; connections for electric lines; couplings, electric; connections, electric; relays, electric; electrolyzers; transmitters of electronic signals; transmitting sets [telecommunication]; cleaning apparatus for sound recording discs; cleaning apparatus for phonograph records; sound recording strips; kilometer recorders for vehicles; milage recorders for vehicles; spools [photography]; mechanical signs; epidiascopes; test tubes; balancing apparatus; thermostats; ergometers; material testing instruments and machines; egg-candlers; gauges; gasoline gauges; petrol gauges; spark-guards; cases especially made for photographic apparatus and instruments; testing apparatus not for medical purposes; refractometers; exposure meters [light meters]; invoicing machines; apparatus for fermentation [laboratory apparatus]; railway traffic safety appliances; wires, electric; magnetic wires; plumb bobs; plumb lines; nets for protection against accidents; safety nets; life nets; safety tarpaulins; film cutting apparatus; filters for respiratory masks; filters [photography]; battery chargers; high-frequency apparatus; frequency meters; fuses; radios; galena crystals [detectors]; gloves for protection against accidents; gloves for divers; gloves for protection against X-rays for industrial purposes; gas testing instruments; gasometers [measuring instruments]; surveying apparatus and instruments; levelling staffs [surveying instruments]; rods [surveying instruments]; drying apparatus for photographic prints; glazing apparatus for photographic prints; rulers [measuring instruments]; measuring glassware; graduated glassware; screens for photo-engraving; grids for batteries; clothing for protection against fire; garments for protection against fire; audio- and video-receivers; heliographic apparatus; holograms; hygrometers; identification threads for electric wires; identification sheaths for electric wires; life saving apparatus and equipment; fire hose nozzles; fire engines; fire pumps; slope indicators; clinometers; gradient indicators; inclinometers; taximeters; quantity indicators; vacuum gauges; speed indicators; inductors [electricity]; armatures [electricity]; data processing apparatus; mirrors for inspecting work; intercommunication apparatus; carriers for dark plates [photography]; inverters [electricity]; ionization apparatus not for the treatment of air or water; peepholes [magnifying lenses] for doors; hemline markers; furniture especially made for laboratories; lactodensimeters; lactometers; darkroom lamps [photography]; optical lamps; optical lanterns; magic lanterns; signal lanterns; lasers, not for medical purposes; optical lenses; letter scales; logs [me-

asuring instruments]; sounding lines; magnifying glasses [optics]; signs, luminous; neon signs; eyeglasses; instruments containing eyepieces; surveyors' levels; spectacle lenses; optical goods; pressure gauges; manometers; periscopes; protective masks; mathematical instruments; coin-operated mechanisms for television sets; megaphones; computer memory devices; carpenters' rules; mercury levels; speed measuring apparatus [photography]; precision measuring apparatus; measuring instruments; meteorological instruments; rules [measuring instruments]; micrometer screws for optical instruments; microphones; microtomes; time switches, automatic; mirrors [optics]; breathing apparatus for underwater swimming; nautical apparatus and instruments; naval signalling apparatus; navigational instruments; eyeglass frames; spectacle frames; batteries, electric; accumulators, electric; levels [instruments for determining the horizontal]; levelling instruments; prisms [optics]; observation instruments; octants; ohmmeters; wavemeters; optical apparatus and instruments; optical glass; computers; computer programmes [programs], recorded; oscillographs; oxygen transvasing apparatus; ozonisers [ozonators]; micrometers; micrometer gauges; signalling panels, luminous or mechanical; lightning conductors [rods]; lightning arresters; lightning conductors; parking meters; apparatus and instruments for astronomy; apparatus for measuring the thickness of skins; acid hydrometers; weighing apparatus and instruments; salinometers; washing trays [photography]; stands for photographic apparatus; viewfinders, photographic; photometers; phototelegraphy apparatus; apparatus and instruments for physics; steering apparatus, automatic, for vehicles; pince-nez; pipettes; plane tables [surveying instruments]; planimeters; ear plugs for divers; bells [warning devices]; weights; polarimeters; radiotelephony sets; radiotelegraphy sets; pressure measuring apparatus; pressure indicators; projection apparatus; cathodic anti-corrosion apparatus; teeth protectors; pyrometers; radar apparatus; vehicle radios; radiological apparatus for industrial purposes; protractors [measuring instruments]; apparatus and installations for the production of X-rays, not for medical purposes; X-ray tubes not for medical purposes; protection devices against X-rays, not for medical purposes; telephone apparatus; refractors; X-ray apparatus not for medical purposes; spectroscopes; resistances, electric; thermometers, not for medical purposes; respirators for filtering air; breathing apparatus, except for artificial respiration; rheostats; balances [steelyards]; lever scales [steelyards]; steelyards [lever scales]; signals, luminous or mechanical; saccharometers; probes for scientific purposes; satellites for scientific purposes; diaphragms for scientific apparatus; teaching apparatus; choking coils [impedance]; wire connectors [electricity]; locks, electric; sextants; signalling whistles; vehicle breakdown warning triangles; electro-dynamic apparatus

for the remote control of signals; simulators for the steering and control of vehicles; sirens; sound transmitting apparatus; sound recording apparatus; sound reproduction apparatus; sounding apparatus and machines; sounding leads; sound locating instruments; spectrograph apparatus; spherometers; stereoscopes; stereoscopic apparatus; needles for record players; styli for record players; sulfotometers; teleprinters; teletypewriters; tachometers; screw-tapping gauges; telegraphs [apparatus]; television apparatus; telegraph wires; remote control apparatus; masts for wireless aerials; teleprompters; telephone transmitters; telerupters; binoculars; telescopes; temperature indicators; time recording apparatus; theodolites; thermostats for vehicles; totalizers; revolution counters; speed regulators for record players; transmitters [telecommunication]; precision balances; marking gauges [joinery]; vacuum tubes [radio]; urinometers; variometers; verniers; videotapes; viscosimeters; theft prevention installations, electric; voltage regulators for vehicles; voting machines; voltmeters; apparatus for changing record player needles; stills for laboratory experiments; fuse wire; wires of metal alloys [fuse wire]; anticathodes; dog whistles; sighting telescopes for firearms; telescopic sights for firearms; anti-theft warning apparatus; azimuth instruments; beacons, luminous; holders for electric coils; films, exposed; road signs, luminous or mechanical; life buoys; signalling buoys; buzzers; directional compasses; fog signals, non-explosive; cash registers; radiology screens for industrial purposes; identity cards, magnetic; photovoltaic cells; densitometers; disks, magnetic; floppy disks; head cleaning tapes [recording]; video recorders; computer keyboards; integrated circuits; semi-conductors; chips [integrated circuits]; cathodes; life jackets; life belts; chemistry apparatus and instruments; cinematographic film, exposed; materials for electricity mains [wires, cables]; contact lenses; containers for contact lenses; incubators for bacteria culture; solar batteries; copper wire, insulated; discharge tubes, electric, other than for lighting; electric discharge tubes, other than for lighting; diaphragms [photography]; distillation apparatus for scientific purposes; dosage dispensers; dosimeters; electric door bells; eyeglass cases; spectacle cases; furnaces for laboratory use; ovens for laboratory use; optical fibers [fibres] [light conducting filaments]; light conducting filaments [optical fibers [fibres]]; telephone wires; X-ray films, exposed; filters for ultraviolet rays, for photography; horns for loudspeakers; tripods for cameras; bar code readers; bullet-proof waistcoats [vests (Am.)]; marking buoys; wafers for integrated circuits; chromatography apparatus for laboratory use; chronographs [time recording apparatus]; compact discs [audio-video]; compact discs [read-only memory]; computer operating programs, recorded; computer peripheral devices; computer software, recorded; optical condensers; acoustic couplers; couplers [data processing

equipment]; decompression chambers; plotters; divers' masks; electronic pens [visual display units]; encoded magnetic cards; facsimile machines; fire boats; interfaces for computers; juke boxes for computers; knee-pads for workers; light dimmers [regulators], electric; light regulators [dimmers], electric; magnetic data media; magnetic encoders; magnetic tape units for computers; microprocessors; modems; monitors [computer hardware]; monitors [computer programs]; mouse [computer peripheral]; optical character readers; optical data media; optical discs; printers for use with computers; processors [central processing units]; central processing units [processors]; readers [data processing equipment]; safety restraints, other than for vehicle seats and sports equipment; scanners [data processing equipment]; smoke detectors; transistors [electronic]; X-ray photographs, other than for medical purposes; junction sleeves for electric cables; abacuses; electronic agendas; answering machines; camcorders; cassette players; compact disc players; diagnostic apparatus, not for medical purposes; disk drives for computers; electrified rails for mounting spot lights; electronic pocket translators; electronic tags for goods; fire blankets; flashlights [photography]; integrated circuit cards [smart cards]; smart cards [integrated circuit cards]; measuring spoons; notebook computers; electronic notice boards; pocket calculators; shoes for protection against accidents, irradiation and fire; sprinkler systems for fire protection; starter cables for motors; sunglasses; time clocks [time recording devices]; video cassettes; video game cartridges; video screens; video telephones; goggles for sports; nose clips for divers and swimmers; protective helmets for sports; electronic publications, downloadable; computer programs [downloadable software]; navigation apparatus for vehicles [on-board computers]; decorative magnets; cordless telephones; mouse pads; personal stereos; wrist rests for use with computers; coaxial cables; fibre [fiber (Am.)] optic cables; covers for electric outlets; marine depth finders; electrified fences; computer game software; headphones; lighting ballasts; radio pagers; satellite navigational apparatus; solenoid valves [electromagnetic switches]; voltage surge protectors; walkie-talkies; wind socks for indicating wind direction; light-emitting electronic pointers; resuscitation mannequins [teaching apparatus]; stage lighting regulators; egg timers [sandglasses]; hourglasses; DNA chips; DVD players; automated teller machines [ATM]; traffic-light apparatus [signalling devices]; hands-free kits for telephones; asbestos screens for firemen; riding helmets; clothing especially made for laboratories; encoded identification bracelets, magnetic; transponders; downloadable ring tones for mobile phones; downloadable music files; downloadable image files; crash test dummies; laboratory centrifuges; printed circuit boards; USB flash drives; Global Positioning System [GPS] apparatus; portab-

le media players; cell phone straps; light-emitting diodes [LED]; triodes; step-up transformers; laptop computers; fire hose; bags adapted for laptops; sleeves for laptops; digital photo frames; Petri dishes; Pitot tubes; stroboscopes; traffic cones; temperature indicator labels, not for medical purposes; computer software applications, downloadable; electronic book readers; smartphones; toner cartridges, unfilled, for printers and photocopiers; baby monitors; video baby monitors; lens hoods; tablet computers; encoded key cards; 3D spectacles; memory cards for video game machines; bullet-proof clothing; accelerometers; electrical adapters; life-saving capsules for natural disasters; computer hardware; solar panels for the production of electricity; cellular phones; mobile telephones; cell phones; telescopic sights for artillery; digital signs; wearable activity trackers; chargers for electronic cigarettes; connected bracelets [measuring instruments]; covers for smartphones; cases for smartphones; selfie sticks [handheld monopods]; calorimeters; flowmeters; reflective safety vests; electronic collars to train animals; joysticks for use with computers, other than for video games; smartglasses; smartwatches; fire extinguishing apparatus; protective films adapted for computer screens; mouth guards for sports; head guards for sports.

14 – Agates; clock hands; ingots of precious metals; jewelry of yellow amber; jewellery of yellow amber; pearls made of ambroid [pressed amber]; amulets [jewellery]; amulets [jewelry]; spun silver [silver wire]; silver thread [jewellery]; silver thread [jewelry]; clocks; pendulums [clock- and watchmaking]; barrels [clock- and watchmaking]; bracelets [jewellery]; bracelets [jewelry]; wristwatches; watch bands; watch straps; straps for wristwatches; charms for jewellery; jewellery charms; charms for jewelry; jewelry charms; brooches [jewellery]; brooches [jewelry]; dials [clock- and watchmaking]; sundials; clockworks; chains [jewellery]; chains [jewelry]; watch chains; chronographs [watches]; chronometers; chronoscopes; chronometric instruments; necklaces [jewellery]; necklaces [jewelry]; clocks and watches, electric; tie clips; coins; diamonds; threads of precious metal [jewellery]; threads of precious metal [jewelry]; wire of precious metal [jewellery]; wire of precious metal [jewelry]; atomic clocks; control clocks [master clocks]; master clocks; clock cases; iridium; ivory jewelry; ivory jewellery; ornaments of jet; jet, unwrought or semi-wrought; copper tokens; jewelry; jewellery; lockets [jewellery]; lockets [jewelry]; medals; precious metals, unwrought or semi-wrought; watches; watch springs; watch glasses; watch crystals; movements for clocks and watches; olivine [gems]; peridot; gold, unwrought or beaten; gold thread [jewellery]; gold thread [jewelry]; osmium; palladium; ornaments [jewelry]; ornamental pins; pearls [jewellery]; pearls [jewelry]; semi-precious stones; precious stones; platinum [me-

tal]; rhodium; ruthenium; spinel [precious stones]; statues of precious metal; paste jewellery; paste jewelry [costume jewelry]; alloys of precious metal; anchors [clock- and watchmaking]; rings [jewellery]; rings [jewelry]; works of art of precious metal; boxes of precious metal; hat ornaments of precious metal; earrings; shoe ornaments of precious metal; cuff links; busts of precious metal; watch cases [parts of watches]; presentation boxes for watches; figurines [statuettes] of precious metal; statuettes of precious metal; pins [jewellery]; pins [jewelry]; tie pins; badges of precious metal; key chains [trinkets or fobs]; silver, unwrought or beaten; stopwatches; cloisonne jewellery; cloisonne jewelry; jewellery boxes; jewelry boxes; beads for making jewelry; beads for making jewellery; clasps for jewelry; clasps for jewellery; jewelry findings; jewellery findings; jewelry rolls; jewellery rolls; cabochons for making jewellery; cabochons for making jewelry; split rings of precious metal for keys; presentation boxes for jewellery; presentation boxes for jewelry; watch hands; rosaries; chaplets.

16 – Steel letters; steel pens; adhesive tape dispensers [office requisites]; address stamps; addressing machines; paper; posters; advertisement boards of paper or cardboard; franking machines for office use; postage meters for office use; staples for offices; clips for offices; pen clips; stapling presses [office requisites]; albums; scrapbooks; pictures; prints [engravings]; cigar bands; pencil sharpening machines, electric or non-electric; bookends; hand-rests for painters; aquarelles; watercolors [paintings]; watercolours [paintings]; architects' models; document files [stationery]; writing slates; slate pencils; silver paper; modelling clay; arithmetical tables; calculating tables; engravings; lithographic works of art; paintings [pictures], framed or unframed; pencils; newspapers; periodicals; atlases; loose-leaf binders; gummed tape [stationery]; mats for beer glasses; tickets; biological samples for use in microscopy [teaching materials]; printing blocks; drawing pads; pads [stationery]; spools for inking ribbons; wristbands for the retention of writing instruments; pamphlets; embroidery designs [patterns]; drawing pins; thumbtacks; moisteners [office requisites]; painters' brushes; blotters; stamps [seals]; sealing stamps; inking pads; sealing wax; sealing machines for offices; sealing compounds for stationery purposes; writing or drawing books; trays for sorting and counting money; tracing patterns; tracing paper; tracing cloth; finger-stalls [office requisites]; printing type; carbon paper; paper for recording machines; note books; square rulers; cards; charts; teaching materials [except apparatus]; index cards [stationery]; paper sheets [stationery]; cardboard; hat boxes of cardboard; perforated cards for Jacquard looms; cardboard tubes; catalogues; tags for index cards; song books; composing frames [printing]; folders for papers; jackets for papers; painters' easels;

numbers [type]; Indian inks; chromolithographs [chromos]; chromos; modelling wax, not for dental purposes; files [office requisites]; office perforators; toilet paper; hygienic paper; books; compasses for drawing; type [numerals and letters]; letters [type]; composing sticks; letter trays; conical paper bags; correcting fluids [office requisites]; correcting ink [heliography]; pencil leads; histological sections for teaching purposes; French curves; covers [stationery]; wrappers [stationery]; writing chalk; chalk for lithography; tailors' chalk; chalk holders; pencil holders; pencil lead holders; cream containers of paper; paper clasps; rollers for typewriters; transfers [decalcomanias]; decalcomanias; graphic prints; graining combs; drawing boards; drawing materials; drawing instruments; diagrams; envelopes [stationery]; duplicators; etchings; wrapping paper; packing paper; nibs; typewriters, electric or non-electric; pen cases; boxes for pens; nibs of gold; erasing products; writing materials; shields [paper seals]; erasing shields; rubber erasers; electrocardiograph paper; punches [office requisites]; ink; inking ribbons; inkwells; envelope sealing machines, for offices; photographs [printed]; pen wipers; seals [stamps]; fabrics for bookbinding; drawing sets; ledgers [books]; indexes; figurines [statuettes] of papier mâché; filter paper; filtering materials [paper]; forms, printed; office requisites, except furniture; charcoal pencils; stencils [stationery]; galley racks [printing]; electrotypes; geographical maps; terrestrial globes; artists' watercolor saucers; artists' watercolour saucers; graphic reproductions; graphic representations; scrapers [erasers] for offices; engraving plates; hectographs; printed timetables; moisteners for gummed surfaces [office requisites]; postcards; printed matter; hand labelling appliances; printers' blankets, not of textile; printing sets, portable [office requisites]; printed publications; manuals [handbooks]; handbooks [manuals]; writing paper; paperweights; tracing needles for drawing purposes; drawing pens; table linen of paper; lithographs; lithographic stones; booklets; luminous paper; papier mâché; manifolds [stationery]; marking chalk; plastics for modeling; modelling materials; modelling paste; handkerchiefs of paper; inking sheets for duplicators; tablecloths of paper; blackboards; paper-clips; numbering apparatus; oleographs; binding strips [bookbinding]; sealing wafers; palettes for painters; pantographs [drawing instruments]; stationery; parchment paper; pastels [crayons]; sewing patterns; stencil cases; house painters' rollers; canvas for painting; paint boxes [articles for use in school]; plastic film for wrapping; apparatus for mounting photographs; photograph stands; photo-engravings; blueprints; plans; folders [stationery]; fountain pens; stencil plates; stencils; portraits; covers of paper for flower pots; flower-pot covers of paper; mimeograph apparatus and machines; paper tapes and cards for the recordal of computer programmes; prospectuses; paper for radiograms; dra-

wing rulers; printers' galleys; bookbinding material; bookbindings; bookbinding cloth; cloth for bookbinding; cords for bookbinding; bookbinding cords; inking sheets for document reproducing machines; pens [office requisites]; magazines [periodicals]; paper ribbons; typewriter ribbons; bags [envelopes, pouches] of paper or plastics, for packaging; stamp pads; school supplies [stationery]; bookmarkers; greeting cards; steatite [tailor's chalk]; balls for ballpoint pens; tablemats of paper; desk mats; typewriter keys; holders for stamps [seals]; cases for stamps [seals]; postage stamps; stamp stands; transparencies [stationery]; vignetting apparatus; gluten [glue] for stationery or household purposes; adhesives [glues] for stationery or household purposes; adhesive tapes for stationery or household purposes; adhesive bands for stationery or household purposes; address plates for addressing machines; almanacs; calendars; starch paste [adhesive] for stationery or household purposes; paintbrushes; self-adhesive tapes for stationery or household purposes; elastic bands for offices; bibs of paper; wood pulp board [stationery]; wood pulp paper; boxes of cardboard or paper; stands for pens and pencils; bottle envelopes of cardboard or paper; coasters of paper; announcement cards [stationery]; plastic bubble packs for wrapping or packaging; flags of paper; paper shredders for office use; sheets of reclaimed cellulose for wrapping; cabinets for stationery [office requisites]; glue for stationery or household purposes; pastes for stationery or household purposes; paper knives [cutters] [office requisites]; paper cutters [office requisites]; paper knives [office requisites]; garbage bags of paper or of plastics; pencil sharpeners, electric or non-electric; tissues of paper for removing make-up; table napkins of paper; place mats of paper; drawing squares; drawing T-squares; penholders; writing cases [stationery]; inkstands; writing cases [sets]; handwriting specimens for copying; bottle wrappers of cardboard or paper; placards of paper or cardboard; towels of paper; face towels of paper; labels, not of textile; etching needles; viscose sheets for wrapping; gums [adhesives] for stationery or household purposes; gummed cloth for stationery purposes; isinglass for stationery or household purposes; bags for microwave cooking; paper coffee filters; plastic cling film, extensible, for palletization; inking ribbons for computer printers; signboards of paper or cardboard; stickers [stationery]; bookbinding apparatus and machines [office equipment]; comic books; copying paper [stationery]; holders for checkbooks [cheque books]; ink sticks; ink stones [ink reservoirs]; musical greeting cards; newsletters; packaging material made of starches; waxed paper; passport holders; writing brushes; writing instruments; drawer liners of paper, perfumed or not; credit card imprinters, non-electric; document laminators for office use; Xuan paper for Chinese painting and calligraphy; writing board erasers; clipboards; chart pointers, non-electronic; paper

bows; molds for modelling clays [artists' materials]; moulds for modelling clays [artists' materials]; money clips; trading cards other than for games; absorbent sheets of paper or plastic for foodstuff packaging; humidity control sheets of paper or plastic for foodstuff packaging; correcting tapes [office requisites]; paint trays; marking pens [stationery]; flyers; document holders [stationery]; page holders; polymer modelling clay; obliterating stamps; packing [cushioning, stuffing] materials of paper or cardboard; stuffing of paper or cardboard; banknotes; spray chalk; printed coupons; rice paper.

18 – Mountaineering sticks; alpenstocks; animal skins; pelts; umbrella rings; saddle trees; leather leashes; leather leads; fastenings for saddles; umbrella or parasol ribs; goldbeaters' skin; purses; bridoons; straps for soldiers' equipment; music cases; umbrella sticks; walking sticks; canes; walking stick seats; bits for animals [harness]; frames for umbrellas or parasols; game bags [hunting accessories]; school bags; school satchels; card cases [notecases]; leatherboard; hat boxes of leather; horse collars; horse blankets; kid; muzzles; travelling trunks; collars for animals; leather laces; curried skins; harness straps; harness traces; straps of leather [saddlery]; straps for skates; leather straps; leather thongs; butts [parts of hides]; leather, unworked or semi-worked; leather thread; leather twist; trimmings of leather for furniture; leather trimmings for furniture; imitation leather; umbrellas; sling bags for carrying infants; parts of rubber for stirrups; stirrup leathers; tool bags, empty; whips; nose bags [feed bags]; umbrella covers; casings, of leather, for springs; casings, of leather, for plate springs; knee-pads for horses; clothing for pets; covers for animals; harness for animals; blinkers [harness]; blinders [harness]; traces [harness]; rucksacks; backpacks; halters; head-stalls; walking stick handles; walking cane handles; cat o' nine tails; chin straps, of leather; moleskin [imitation of leather]; handbag frames; parasols; fur; fur-skins; umbrella handles; pocket wallets; wheeled shopping bags; shopping bags; attache cases; bags for climbers; bags for campers; beach bags; handbags; travelling bags; bags [envelopes, pouches] of leather, for packaging; girths of leather; riding saddles; saddlery; briefcases; travelling sets [leatherware]; valises; suitcase handles; valves of leather; cattle skins; boxes of leather or leatherboard; chain mesh purses; cases of leather or leatherboard; trunks [luggage]; vanity cases, not fitted; chamois leather, other than for cleaning purposes; skins of chamois, other than for cleaning purposes; shoulder belts [straps] of leather; leather shoulder belts; leather shoulder straps; covers for horse saddles; boxes of vulcanised fibre; garment bags for travel; bridles [harness]; key cases; net bags for shopping; furniture coverings of leather; pads for horse saddles; bags for sports; stirrups; harness fittings; horseshoes; slings for carrying infants; pouch baby carriers; bags; credit card cases [wallets]; busi-

ness card cases; randsels [Japanese school satchels]; luggage tags; saddlecloths for horses; reins for guiding children.

26 – Shoe fasteners; needles; shoemakers' needles; sewing needles; needles for wool combing machines; binding needles; darning needles; saddlers' needles; knitting needles; fastenings for clothing; ostrich feathers [clothing accessories]; whalebones for corsets; corset busks; hair bands; false beards; hair grips; bobby pins; hat ornaments, not of precious metal; edgings for clothing; lace for edgings; darning lasts; buttons; snap fasteners; expanding bands for holding sleeves; brassards; arm bands [clothing accessories]; fastenings for suspenders; fastenings for braces; brooches [clothing accessories]; embroidery; fancy goods [embroidery]; belt clasps; numerals or letters for marking linen; monogram tabs for marking linen; shoe hooks; shoe laces; shoe ornaments, not of precious metal; shoe eyelets; chenille [passementerie]; decorative articles for the hair; hair curling pins; hair barrettes; hair slides; hair pins; hair nets; false hair; tresses of hair; plaited hair; numerals for marking linen; collar supports; cords for clothing; blouse fasteners; dress body fasteners; sewing boxes; sewing thimbles; crochet hooks; crochet needles; hooks [haberdashery]; zippers; zip fasteners; slide fasteners [zippers]; pin cushions; false hems; festoons [embroidery]; shuttles for making fishing nets; artificial flowers; fringes; artificial fruit; braids; tassels [haberdashery]; trimmings for clothing; artificial garlands; frills [lacework]; woollen laces; lace trimmings; passementerie; letters for marking linen; haberdashery, except thread; mica spangles; false moustaches; eyelets for clothing; birds' feathers [clothing accessories]; tinsels [trimmings for clothing]; orsedew [trimmings for clothing]; ribbons [haberdashery]; spangles for clothing; needle cushions; wigs; picot [lace]; heat adhesive patches for repairing textile articles; feathers [clothing accessories]; top-knots [pompoms]; skirt flounces; rosettes [haberdashery]; frills for clothing; zippers for bags; zip fasteners for bags; shoe buckles; toupees; bodkins; needle cases; boxes for needles; silver embroidery; gold embroidery; elastic ribbons; cords for rimming, for clothing; buckles [clothing accessories]; hooks for corsets; wreaths of artificial flowers; pins, other than jewellery [jewelry (Am.)]; badges for wear, not of precious metal; heat adhesive patches for decoration of textile articles [haberdashery]; competitors' numbers; ornamental novelty badges [buttons]; bows for the hair; hair coloring caps; hair colouring caps; hook and pile fastening tapes; prize ribbons; shoulder pads for clothing; trouser clips for cyclists; tapes for curtain headings; hair curling papers; rug hooks; beads, other than for making jewellery; beads, other than for making jewellery; bobbins for retaining embroidery floss or wool [not parts of machines]; hair extensions; human hair; hair curlers, other than hand implements; appliques [haber-

dashery]; artificial plants; sewing kits; entomological pins; embroidery needles.

28 – Bladders of balls for games; artificial fishing bait; caps for pistols [toys]; toys for pets; ring games; Christmas trees of synthetic material; bows for archery; archery implements; edges of skis; swings; balls for games; play balloons; billiard table cushions; rocking horses; batting gloves [accessories for games]; dolls' feeding bottles; stationary exercise bicycles; billiard balls; chalk for billiard cues; billiard markers; skittles; marbles for games; toys; building blocks [toys]; bob-sleighs; explosive bonbons [Christmas crackers]; cosaques [toy fireworks]; skating boots with skates attached; candle holders for Christmas trees; playing balls; bowling apparatus and machinery; boxing gloves; gut for rackets; golf clubs; rods for fishing; kites; kite reels; targets; bells for Christmas trees; counters [discs] for games; building games; strings for rackets; machines for physical exercises; body-building apparatus; body-training apparatus; body rehabilitation apparatus; novelties for parties, dances [party favors, favours]; shin guards [sports articles]; cricket bags; hockey sticks; checkers [games]; draughts [games]; dice; chest expanders [exercisers]; exercisers [expanders]; discs for sports; dominoes; chess games; chessboards; checkerboards; draughtboards; toy pistols; rollers for stationary exercise bicycles; landing nets for anglers; golf bags, with or without wheels; practical jokes [novelties]; nets for sports; tennis nets; ski bindings; darts; floats for fishing; foosball tables; harpoon guns [sports articles]; gloves for games; cups for dice; bar-bells; fish hooks; rattles [playthings]; parlor games; parlour games; games; clay pigeon traps; rackets; bats for games; decoys for hunting or fishing; lures for hunting or fishing; fishing tackle; fishing lines; dolls' beds; dolls' houses; puppets; marionettes; dolls; theatrical masks; carnival masks; scale model vehicles; reels for fishing; flippers for swimming; swimming webs [flippers]; creels [fishing traps]; swimming pools [play articles]; artificial snow for Christmas trees; quoits; roller skates; ice skates; seal skins [coverings for skis]; clay pigeons [targets]; surfboards; dolls' clothes; dolls' rooms; conjuring apparatus; skittles [games]; ninepins; gut for fishing; sole coverings for skis; skis; tables for table tennis; spinning tops [toys]; sleds [sports articles]; backgammon games; scooters [toys]; shuttlecocks; toy air pistols; percussion caps [toys]; detonating caps [toys]; ornaments for Christmas trees, except illumination articles and confectionery; Christmas tree stands; billiard cues; billiard cue tips; billiard tables; coin-operated billiard tables; surf skis; sailboards; hang gliders; apparatus for games; appliances for gymnastics; fencing weapons; fencing masks; fencing gauntlets; fencing gloves; baseball gloves; climbers' harness; elbow guards [sports articles]; knee guards [sports articles]; mobiles [toys]; paragliders; protective paddings [parts of sports suits];

skateboards; slides [playthings]; spring boards [sports articles]; teddy bears; waterskis; golf gloves; bite indicators [fishing tackle]; bite sensors [fishing tackle]; board games; fairground ride apparatus; flying discs [toys]; horseshoe games; mah-jong; plush toys; soap bubbles [toys]; toy vehicles; twirling batons; butterfly nets; bags especially designed for skis and surfboards; harness for sailboards; jigsaw puzzles; masts for sailboards; paintball guns [sports apparatus]; paintballs [ammunition for paintball guns] [sports apparatus]; surfboard leashes; tennis ball throwing apparatus; starting blocks for sports; snow globes; weight lifting belts [sports articles]; bodyboards; bingo cards; divot repair tools [golf accessories]; pitch mark repair tools [golf accessories]; hunting game calls; roulette wheels; in-line roller skates; piñatas; punching bags; radio-controlled toy vehicles; rosin used by athletes; snowshoes; sling shots [sports articles]; amusement machines, automatic and coin-operated; kaleidoscopes; playing cards; confetti; electronic targets; scent lures for hunting or fishing; camouflage screens [sports articles]; men's athletic supporters [sports articles]; snowboards; scale model kits [toys]; pachinkos; ascenders [mountaineering equipment]; gaming machines for gambling; slot machines [gaming machines]; paper party hats; swimming kick boards; chips for gambling; scratch cards for playing lottery games; stuffed toys; trampolines; poles for pole vaulting; water wings; swimming belts; swimming jackets; video game machines; portable games with liquid crystal displays; arcade video game machines; controllers for game consoles; toy models; toy figures; ball pitching machines; masks [playthings]; matryoshka dolls; controllers for toys; golf bag carts; golf bag trolleys; paddleboards; gyroscopes and flight stabilizers for model aircraft; joysticks for video games; protective films adapted for screens for portable games; drones [toys].

35 – Business management assistance; business inquiries; bill-posting; outdoor advertising; import-export agency services; commercial information agency services; dissemination of advertising matter; photocopying services; employment agency services; office machines and equipment rental; book-keeping; accounting; drawing up of statements of accounts; business auditing; business management and organization consultancy; personnel management consultancy; business management consultancy; typing; demonstration of goods; direct mail advertising; commercial or industrial management assistance; document reproduction; updating of advertising material; distribution of samples; business efficiency expert services; auctioneering; market studies; business appraisals; business investigations; publicity material rental; business organization consultancy; publication of publicity texts; advertising; publicity; radio advertising; business research; public relations; shorthand; television advertising; trans-



cription of communications [office functions]; shop window dressing; publicity agency services; advisory services for business management; modelling for advertising or sales promotion; marketing research; computerized file management; professional business consultancy; economic forecasting; organization of exhibitions for commercial or advertising purposes; business information; opinion polling; payroll preparation; personnel recruitment; relocation services for businesses; rental of advertising space; sales promotion for others; secretarial services; tax preparation; telephone answering for unavailable subscribers; word processing; arranging newspaper subscriptions for others; advertising by mail order; business management of hotels; business management of performing artists; compilation of information into computer databases; systemization of information into computer databases; organization of trade fairs for commercial or advertising purposes; rental of photocopying machines; on-line advertising on a computer network; procurement services for others [purchasing goods and services for other businesses]; data search in computer files for others; rental of advertising time on communication media; news clipping services; rental of vending machines; psychological testing for the selection of personnel; price comparison services; presentation of goods on communication media, for retail purposes; commercial information and advice for consumers [consumer advice shop]; arranging subscriptions to telecommunication services for others; administrative processing of purchase orders; commercial administration of the licensing of the goods and services of others; outsourcing services [business assistance]; invoicing; writing of publicity texts; compilation of statistics; layout services for advertising purposes; sponsorship search; organization of fashion shows for promotional purposes; production of advertising films; business management of sports people; marketing; telemarketing services; retail or wholesale services for pharmaceutical, veterinary and sanitary preparations and medical supplies; rental of sales stands; provision of commercial and business contact information; search engine optimization for sales promotion; search engine optimisation for sales promotion; web site traffic optimization; pay per click advertising; commercial intermediation services; business management for freelance service providers; negotiation and conclusion of commercial transactions for third parties; updating and maintenance of data in computer databases; business project management services for construction projects; providing business information via a web site; provision of an on-line marketplace for buyers and sellers of goods and services; design of advertising materials; outsourced administrative management for companies; tax filing services; business management of reimbursement programs for others; business management of reimbursement programmes for others;

rental of billboards [advertising boards]; writing of resumes for others; writing of curriculum vitae for others; web indexing for commercial or advertising purposes; administration of frequent flyer programs; appointment scheduling services [office functions]; appointment reminder services [office functions]; administration of consumer loyalty programs; scriptwriting for advertising purposes.

36 – Accident insurance underwriting; instalment loans; actuarial services; rental of real estate; brokerage; credit bureau services; real estate agency services; real estate brokerage; debt collection agency services; insurance brokerage; financial customs brokerage services; insurance underwriting; banking; real estate appraisal; charitable fund raising; mutual funds; capital investment; surety services; exchanging money; issuance of travelers' checks; issuance of travellers' cheques; clearing, financial; clearing-houses, financial; safe deposit services; organization of collections; loans [financing]; fiscal valuation; financial evaluation [insurance, banking, real estate]; factoring; trusteeship; fiduciary; financing services; financial management; pawnbrokerage; real estate management; apartment house management; fire insurance underwriting; rental of apartments; rental of farms; health insurance underwriting; marine insurance underwriting; mortgage banking; savings bank services; lease-purchase financing; hire-purchase financing; securities brokerage; life insurance underwriting; accommodation bureau services [apartments]; financial analysis; antique appraisal; art appraisal; check [cheque] verification; financial consultancy; insurance consultancy; processing of credit card payments; processing of debit card payments; electronic funds transfer; financial information; insurance information; jewellery [jewelry (Am.)] appraisal; numismatic appraisal; rent collection; stamp appraisal; issuance of tokens of value; deposits of valuables; stock exchange quotations; issuance of credit cards; rental of offices [real estate]; retirement payment services; financial sponsorship; online banking; business liquidation services, financial; repair costs evaluation [financial appraisal]; brokerage of carbon credits; financial evaluation of standing timber; financial valuation of standing timber; financial evaluation of wool; financial valuation of wool; lending against security; provident fund services; stock brokerage services; debt advisory services; arranging finance for construction projects; providing financial information via a web site; financial management of reimbursement payments for others; investment of funds; stocks and bonds brokerage; providing rebates at participating establishments of others through use of a membership card; bail-bonding.

38 – Radio broadcasting; message sending; television broadcasting; transmission of telegrams; teleg-raph services; communications by telegrams; telephone services; communications by telephone; telex

services; news agency services; cable television broadcasting; communications by cellular phones; communications by computer terminals; computer aided transmission of messages and images; transmission of electronic mail; facsimile transmission; information about telecommunication; paging services [radio, telephone or other means of electronic communication]; rental of message sending apparatus; communications by fibre optic networks; communications by fiber optic networks; rental of facsimile apparatus; rental of modems; rental of telecommunication equipment; rental of telephones; satellite transmission; electronic bulletin board services [telecommunications services]; providing telecommunication connections to a global computer network; telecommunications routing and junction services; teleconferencing services; providing user access to global computer networks; rental of access time to global computer networks; providing telecommunication channels for teleshopping services; providing internet chatrooms; providing access to databases; voice mail services; transmission of greeting cards online; transmission of digital files; wireless broadcasting; videoconferencing services; providing online forums; streaming of data; radio communications; video-on-demand transmissio.

40 – Abrasion; processing of cinematographic films; air purification; magnetization; applying finishes to textiles; paper finishing; silver plating; fabric bleaching; woodworking; cloth edging; soldering; dress-making; cadmium plating; permanent-press treatment of fabrics; pottery firing; firing pottery; shoe staining; chromium plating; metal plating; leather staining; fur conditioning; cloth cutting; pattern printing; photographic film development; gilding; water treating; electroplating; tin plating; custom fashioning of fur; blacksmithing; fur mothproofing; millworking; fruit crushing; food smoking; galvanization; engraving; fabric waterproofing; cloth waterproofing; cloth fireproofing; fabric fireproofing; textile fireproofing; crease-resistant treatment for clothing; wool treating; laminating; grinding; metal treating; metal tempering; flour milling; nickel plating; warping [looms]; skin dressing; burnishing by abrasion; bookbinding; planing [saw mill]; saddlery working; sawing [saw mill]; custom tailoring; tanning; taxidermy; dyeing services; textile dyeing; textile treating; cloth treating; textile mothproofing; cloth dyeing; paper treating; glass-blowing; embroidering; leather working; window tinting treatment, being surface coating; food and drink preservation; timber felling and processing; recycling of waste and trash; cloth pre-shrinking; fur glossing; fur staining; fur dyeing; air deodorizing; air freshening; custom assembling of materials for others; framing of works of art; gold plating; laser scribing; material treatment information; optical glass grinding; photographic printing; photogravure; processing of oil; quilting; refining services; slaughtering of animals; stripping

finishes; waste treatment [transformation]; clothing alteration; boilermaking; metal casting; vulcanization [material treatment]; services of a dental technician; production of energy; rental of generators; destruction of waste and trash; incineration of waste and trash; colour separation services; key cutting; decontamination of hazardous materials; lithographic printing; printing; knitting machine rental; offset printing; photocomposing services; silkscreen printing; sorting of waste and recyclable material [transformation]; freezing of foods; rental of air conditioning apparatus; rental of space heating apparatus; fulling of cloth; cryopreservation services; sandblasting services; rental of boilers; upcycling [waste recycling]; welding services.

41 – Academies [education]; amusement park services; entertainment services; animal training; rental of cinematographic apparatus; entertainer services; movie studio services; presentation of circus performances; organization of competitions [education or entertainment]; correspondence courses; physical education; rental of show scenery; providing recreation facilities; radio entertainment; publication of texts, other than publicity texts; teaching; educational services; instruction services; rental of sound recordings; rental of motion pictures; film production, other than advertising films; gymnastic instruction; lending library services; publication of books; rental of radio and television sets; production of radio and television programmes; presentation of variety shows; orchestra services; theatre productions; production of shows; television entertainment; rental of stage scenery; zoological garden services; providing sports facilities; modelling for artists; mobile library services; bookmobile services; providing casino facilities [gambling]; club services [entertainment or education]; arranging and conducting of colloquiums; arranging and conducting of conferences; arranging and conducting of congresses; discotheque services; education information; educational examination; entertainment information; organization of exhibitions for cultural or educational purposes; gambling services; providing golf facilities; health club services [health and fitness training]; holiday camp services [entertainment]; presentation of live performances; cinema presentations; movie theatre presentations; nursery schools; organization of sports competitions; party planning [entertainment]; practical training [demonstration]; providing museum facilities [presentation, exhibitions]; recording studio services; recreation information; rental of skin diving equipment; rental of sports equipment, except vehicles; rental of stadium facilities; rental of video cassette recorders; rental of videotapes; arranging and conducting of seminars; sport camp services; arranging and conducting of symposiums; timing of sports events; boarding school education; arranging and conducting of workshops [training]; arranging of beauty contests; booking of seats for shows; dub-

bing; religious education; organization of lotteries; organization of balls; organization of shows [impresario services]; providing amusement arcade services; rental of audio equipment; rental of lighting apparatus for theatrical sets or television studios; rental of tennis courts; rental of video cameras; rental of camcorders; scriptwriting, other than for advertising purposes; videotape editing; on-line publication of electronic books and journals; electronic desktop publishing; subtitling; game services provided on-line from a computer network; karaoke services; music composition services; nightclub services [entertainment]; providing on-line electronic publications, not downloadable; photographic reporting; photography; vocational guidance [education or training advice]; news reporters services; translation; sign language interpretation; videotaping; microfilming; ticket agency services [entertainment]; writing of texts; arranging and conducting of concerts; calligraphy services; layout services, other than for advertising purposes; organization of fashion shows for entertainment purposes; coaching [training]; rental of sports grounds; disc jockey services; language interpreter services; personal trainer services [fitness training]; conducting fitness classes; vocational retraining; production of music; toy rental; games equipment rental; services of schools [education]; providing on-line music, not downloadable; providing on-line videos, not downloadable; tutoring; arranging and conducting of in-person educational forums; songwriting; screenplay writing; conducting guided tours.

42 – Chemical analysis; analysis for oil-field exploitation; architectural services; bacteriological research; chemistry services; chemical research; architectural consultancy; construction drafting; technical research; oil-well testing; cosmetic research; design of interior decor; industrial design; packaging design; material testing; conducting technical project studies; geological surveys; oil-field surveys; engineering; meteorological information; land surveying; computer rental; computer programming; physics [research]; mechanical research; textile testing; geological prospecting; geological research; authenticating works of art; calibration [measuring]; computer software design; updating of computer software; consultancy in the design and development of computer hardware; dress designing; graphic arts design; quality control; rental of computer software; research and development of new products for others; styling [industrial design]; underwater exploration; recovery of computer data; maintenance of computer software; computer system analysis; biological research; urban planning; surveying; computer system design; vehicle roadworthiness testing; duplication of computer programs; conversion of data or documents from physical to electronic media; creating and maintaining web sites for others; hosting computer sites [web sites]; installation of computer soft-

ware; cloud seeding; data conversion of computer programs and data [not physical conversion]; computer software consultancy; rental of web servers; computer virus protection services; consultancy in the field of energy-saving; research in the field of environmental protection; providing search engines for the internet; digitization of documents [scanning]; handwriting analysis [graphology]; provision of scientific information, advice and consultancy in relation to carbon offsetting; quality evaluation of standing timber; quality evaluation of wool; monitoring of computer systems by remote access; water analysis; scientific laboratory services; energy auditing; web site design consultancy; software as a service [SaaS]; information technology [IT] consultancy; scientific research; server hosting; clinical trials; off-site data backup; electronic data storage; providing information on computer technology and programming via a web site; cartography services; cloud computing; outsource service providers in the field of information technology; technological consultancy; computer technology consultancy; telecommunications technology consultancy; weather forecasting; computer security consultancy; technical writing; interior design.

44 – Animal breeding; landscape gardening; public bath services for hygiene purposes; Turkish bath services; beauty salon services; medical clinic services; chiropractic; hairdressing; wreath making; convalescent home services; hospital services; health care; horticulture; gardening; farming equipment rental; massage; medical assistance; opticians' services; plant nursery services; physical therapy; physiotherapy; sanatorium services; veterinary assistance; dentistry services; nursing home services; aerial and surface spreading of fertilizers and other agricultural chemicals; animal grooming; blood bank services; flower arranging; hospice services; lawn care; manicuring; midwife services; nursing, medical; pharmacy advice; plastic surgery; tree surgery; vermin exterminating for agriculture, horticulture and forestry; weed killing; pet grooming; hair implantation; services of a psychologist; rental of sanitation facilities; aromatherapy services; artificial insemination services; rehabilitation for substance abuse patients; in vitro fertilization services; tattooing; telemedicine services; landscape design; sauna services; solarium services; health spa services; visagists' services; pharmacists' services to make up prescriptions; therapy services; tree planting for carbon offsetting purposes; aquaculture services; medical equipment rental; health center services; health centre services; alternative medicine services; speech therapy services; health counselling; health counseling; depilatory waxing; orthodontic services; medical advice for individuals with disabilities; body piercing; reforestation services; palliative care; rest home services.

45 – Personal body guarding; escorting in society

[chaperoning]; chaperoning; detective agency services; dating services; night guard services; opening of security locks; evening dress rental; crematorium services; missing person investigations; burial services; funerary undertaking; clothing rental; guard services; marriage agency services; security consultancy; horoscope casting; fire-fighting; organization of religious meetings; adoption agency services; monitoring of burglar and security alarms; baby sitting; baggage inspection for security purposes; house sitting; pet sitting; personal background investigations; lost property return; mediation; inspection of factories for safety purposes; rental of fire alarms; rental of fire extinguishers; arbitration services; intellectual property consultancy; copyright management; licensing of intellectual property; monitoring intellectual property rights for legal advisory purposes; legal research; litigation services; licensing of computer software [legal services]; registration of domain names [legal services]; alternative dispute resolution services; rental of safes; genealogical research; planning and arranging of wedding ceremonies; online social networking services; releasing doves for special occasions; embalming services; legal document preparation services; tracking of stolen property; legal administration of licences; astrology consultancy; spiritual consultancy; cartomancy services; personal wardrobe styling consultancy; personal letter writing; conducting funeral ceremonies.

(260) AM 2019 95614 A

(800) 1378789

(151) 2017 06 07

(891) 2017 06 07

(731) Акционерное общество "ГОЗНАК"

(АО "ГОЗНАК")

территориya Петropавловскаяя kреpost,  
d. 3, литер G, RU-197046 Санкт-Петербург,  
Russian Federation

(540)



АКЦИОНЕРНОЕ ОБЩЕСТВО  
**ГОЗНАК**

(591) Dark green

(531) 03.07.02; 28.05; 28.05

(511)

2 – Paints; mordants; varnishes; colorants for beverages; food dyes; food colorants; alizarine dyes; aluminium paints; aluminium powder for painting; asbestos paints; anti-corrosive preparations; fixatives for watercolors [watercolours]; fixatives for watercolors; fixatives for watercolours; silver paste; silver emulsions [pigments]; silvering powders; black japan; auramine; bactericidal paints; badigeon; anti-corrosive bands; Canada balsam; colorants for butter; colorants for beer; bitumen varnish; wood coa-

tings [paints]; wood mordants; wood stains; sienna earth; bronzing lacquers; bronze powder for painting; ink for leather; caramel [food colorant]; malt caramel [food colorant]; coatings for roofing felt [paints]; coatings for tarred felt [paints]; ceramic paints; white lead; carbon black [pigment]; undercoating for vehicle chassis; undersealing for vehicle chassis; shoe dyes; lime wash; printers' pastes [ink]; cobalt oxide [colorant]; cochineal carmine; colophony; colorants; dyestuffs; malt colorants; wood preservatives; copal; aniline dyes; thinners for paints; thinners for lacquers; thickeners for paints; creosote for wood preservation; mordants for leather; stains for leather; dyes; pigments; turmeric [colorant]; natural resins, raw; distempers; enamels [varnishes]; enamels for painting; enamel paints; printing ink; marking ink for animals; siccatives [drying agents] for paints; ink for skin-dressing; coatings [paints]; fixatives [varnishes]; lamp black [pigment]; yellowwood [colorant]; glazes [paints, lacquers]; gamboge for painting; gum-lac; shellac; gum resins; anti-rust greases; engraving ink; zinc oxide [pigment]; oils for the preservation of wood; anti-rust oils; fireproof paints; indigo [colorant]; binding preparations for paints; agglutinants for paints; colorants for liqueurs; litharge; orange lead; metals in powder form for use in painting, decorating, printing and art; mastic [natural resin]; metal foil for use in painting, decorating, printing and art; anti-tarnishing preparations for metals; protective preparations for metals; minium; red lead; paper for dyeing Easter eggs; annatto [dyestuff]; annatto [dyestuff]; saffron [colorant]; sandarac; soot [colorant]; sumac for varnishes; titanium dioxide [pigment]; anti-rust preparations; primers; whitewash; dyewood; dye-wood; dyewood extracts; wood dyestuffs; carbonyl [wood preservative]; copal varnish; lacquers; toners [ink] for photocopiers; ink [toner] for photocopiers; anti-fouling paints; toner cartridges, filled, for printers and photocopiers; turpentine [thinner for paints]; repositionable paint patches; watercolour paints for use in art; watercolor paints for use in art; oil paints for use in art; edible inks; edible ink cartridges, filled, for printers.

6 – Steel, unwrought or semi-wrought; steel alloys; steel strip; hoop steel; steel wire; cast steel; steel masts; roller blinds of steel; steel sheets; steel pipes; steel tubes; machine belt fasteners of metal; railway points; railway switches; nozzles of metal; building or furniture fittings of nickel-silver; nickel-silver; aluminium; bronze; aluminium wire; anchor plates; tie plates; jets of metal; latch bars of metal; masts of metal; poles of metal; traps for wild animals; braces of metal for handling loads; harness of metal for handling loads; braces of metal for load handling; harness of metal for load handling; anti-friction metal; tree protectors of metal; cashboxes of metal; silver solder; German silver; silver-plated tin alloys; reinforcing materials, of metal, for concrete; safes [strong boxes]; window stops of metal; door stops of

metal; washers of metal; rings of metal; stop collars of metal; strap-hinges of metal; floor tiles of metal; barbed wire; bars for metal railings; beryllium [glucinium]; glucinium [beryllium]; cattle chains; beak-irons [bick-irons]; white metal; armor-plating of metal; armour-plating of metal; box fasteners of metal; bolts of metal; bottles [metal containers] for compressed gas or liquid air; identification bracelets of metal; iron slabs; brazing alloys; flanges of metal [collars]; monuments of bronze for tombs; bronzes for tombstones; bronzes [works of art]; telfer cables; rope thimbles of metal; cable joints of metal, non-electric; cable linkages of metal, non-electric; cadmium; padlocks; shims; ferrules of metal for walking sticks; containers of metal for storing acids; safety cashboxes; hafnium [celtium]; celtium [hafnium]; chains of metal; safety chains of metal; couplings of metal for chains; frames of metal for building; window pulleys; sash pulleys; ducts of metal, for central heating installations; pipes of metal, for central heating installations; ducts and pipes of metal for central heating installations; horseshoe nails; pegs of metal; chromium; chrome iron; chrome ores; cotter pins of metal; keys; nails; tacks [nails]; brads; wall plugs of metal; cobalt, raw; railway material of metal; pillars of metal for building; water-pipes of metal; sleeves [metal hardware]; tin cans; preserving boxes of metal; preserve tins; containers of metal [storage, transport]; guard rails of metal; chill-molds [foundry]; chill-moulds [foundry]; anvils; roof flashing of metal; elbows of metal for pipes; doors of metal; belt stretchers of metal; crampons of metal [cramps]; cramps of metal [crampons]; pot hooks of metal; window casement bolts; hooks [metal hardware]; ironwork for windows; wire of common metal; copper, unwrought or semi-wrought; copper rings; tubing of metal; containers of metal for compressed gas or liquid air; foot scrapers; door scrapers; drain pipes of metal; iron, unwrought or semi-wrought; fish plates [rails]; screws of metal; tinplate packings; letter boxes of metal; door bells of metal, non-electric; spurs; brackets of metal for building; staircases of metal; window fasteners of metal; pipes of metal; tubes of metal; rails of metal; fittings of metal for windows; iron strip; hoop iron; iron wire; cast iron, unwrought or semi-wrought; iron ores; door closers, non-electric; door springs, non-electric; molybdenum iron; silicon iron; titanium iron; ferrotitanium; tungsten iron; fittings of metal for building; pins [hardware]; eye bolts; screw rings; locks of metal, other than electric; galena [ore]; lead seals; germanium; weather- or wind-vanes of metal; weather vanes of metal; wind vanes of metal; crampons [climbing irons]; ice moulds of metal; grease nipples; grilles of metal; gratings of metal; spring locks; indium; badges of metal for vehicles; jalousies of metal; brass, unwrought or semi-wrought; outdoor blinds of metal; rocket launching platforms of metal; laths of metal; filings of metal; stringers [parts of staircases]

of metal; limonite; ingots of common metal; lintels of metal; bed casters of metal; latches of metal; blooms [metallurgy]; magnesium; buildings, transportable, of metal; ferrules of metal for handles; pipe muffs of metal; manganese; handling pallets of metal; transport pallets of metal; steps [ladders] of metal; porches [structures] of metal; door knockers of metal; handcuffs; common metals, unwrought or semi-wrought; ores of metal; wire cloth; wire gauze; pyrophoric metals; furniture casters of metal; sheet piles of metal; pilings of metal; molybdenum; monuments of metal; vice claws of metal; wall claddings of metal for building; nickel; niobium; flashing of metal, for building; house numbers of metal, non-luminous; shutters of metal; palings of metal; baskets of metal; signalling panels, non-luminous and non-mechanical, of metal; wall linings of metal for building; clothes hooks of metal; skating rinks [structures] of metal; lock bolts; posts of metal; springs [metal hardware]; pulleys of metal, other than for machines; tent pegs of metal; ceilings of metal; floors of metal; linings of metal for building; turntables [railways]; roofing tiles of metal; lead, unwrought or semi-wrought; diving boards of metal; door handles of metal; rivets of metal; gates of metal; door panels of metal; door bolts of metal; split rings of common metal for keys; telegraph posts of metal; zinc; beams of metal; girders of metal; joists of metal; platforms, prefabricated, of metal; hardware of metal, small; ironmongery; road signs, non-luminous and non-mechanical, of metal; junctions of metal for pipes; wire stretchers [tension links]; packaging containers of metal; tanks of metal; reservoirs of metal; sills of metal; signs, non-luminous and non-mechanical, of metal; greenhouses of metal, transportable; locks of metal for vehicles; stops of metal; silos of metal; bells for animals; bells; soldering wire of metal; valves of metal, other than parts of machines; statues of common metal; railroad ties of metal; railway sleepers of metal; tantalum [metal]; bolts, flat; anvils [portable]; tension links; titanium; roofing of metal; tombac; tombs of metal; turnstiles of metal; lattice-work of metal; trellis of metal; tungsten; pipework of metal; vanadium; casement windows of metal; ferrules of metal; aviaries [structures] of metal; zirconium; balls of steel; steel buildings; fittings of metal for compressed air lines; wire of common metal alloys, except fuse wire; alloys of common metal; aluminium foil; mooring bollards of metal; floating docks of metal, for mooring boats; anchors; wainscoting of metal; reinforcing materials of metal for pipes; reinforcing materials of metal for building; reinforcing materials of metal for machine belts; works of art of common metal; troughs of metal for mixing mortar; bird baths [structures] of metal; beacons of metal, non-luminous; stretchers for iron bands [tension links]; wrapping or binding bands of metal; bands of metal for tying-up purposes; thread of metal for tying-up purposes; barrels of metal; bar-

rel hoops of metal; casks of metal; swimming pools [structures] of metal; building materials of metal; shuttering of metal for concrete; bicycle parking installations of metal; paving blocks of metal; boxes of common metal; bungs of metal; plugs of metal; sealing caps of metal; buckles of common metal [hardware]; bottle caps of metal; capsules of metal for bottles; sealing caps of metal for bottles; bottle closures of metal; bottle fasteners of metal; knobs of metal; rods of metal for brazing; rods of metal for brazing and welding; rods of metal for welding; straps of metal for handling loads; belts of metal for handling loads; straps of metal for load handling; slings of metal for handling loads; busts of common metal; cabanas of metal; paint spraying booths of metal; booths of metal for spraying paint; cables of metal, non-electric; collars of metal for fastening pipes; clips of metal for cables and pipes; binding screws of metal for cables; window frames of metal; greenhouse frames of metal; duckboards of metal; chimney cowls of metal; binding thread of metal for agricultural purposes; door openers, non-electric; tiles of metal for building; tile floorings of metal; burial vaults of metal; fittings of metal for coffins; loading pallets of metal; loading gauge rods, of metal, for railway waggons; loading gauge rods, of metal, for railway wagons; hinges of metal; framework of metal for building; door frames of metal; door casings of metal; materials of metal for funicular railway permanent ways; chimney pots of metal; roof gutters of metal; drain traps [valves] of metal; partitions of metal; casings of metal for oilwells; containers of metal for liquid fuel; buildings of metal; floating containers of metal; ropes of metal; cornices of metal; moldings of metal for cornices; mouldings of metal for cornices; angle irons of metal; windows of metal; ironwork for doors; runners of metal for sliding doors; manhole covers of metal; roof coverings of metal; hooks of metal for roofing slates; hooks of metal for clothes rails; copper wire, not insulated; vats of metal; stair treads [steps] of metal; gutter pipes of metal; reels of metal, non-mechanical, for flexible hoses; towel dispensers, fixed, of metal; water-pipe valves of metal; scaffolding of metal; ladders of metal; mobile boarding stairs of metal for passengers; bindings of metal; nuts of metal; poles of metal for power lines; posts of metal for power lines; branching pipes of metal; enclosures of metal for tombs; fences of metal; winding spools of metal, non-mechanical, for flexible hoses; signboards of metal; props of metal; tin; tinplate; tinfoil; sheets and plates of metal; locks of metal for bags; fittings of metal for furniture; building panels of metal; figurines [statuettes] of common metal; statuettes of common metal; stretchers for metal bands [tension links]; foundry molds [moulds] of metal; grave slabs of metal; tomb slabs of metal; monuments of metal for tombs; tombstone plaques of metal; tombstone stelae of metal; memorial plates of metal; memorial

plaques of metal; furnace fireguards of metal; cask stands of metal; fittings of metal for beds; door fittings of metal; closures of metal for containers; sheaf binders of metal; crash barriers of metal for roads; chests of metal; bins of metal; identity plates of metal; registration plates of metal; numberplates of metal; cermets; taps of metal for casks; advertisement columns of metal; mooring buoys of metal; chimneys of metal; chimney shafts of metal; ducts of metal for ventilating and air conditioning installations; foils of metal for wrapping and packaging; gold solder; hoppers of metal, non-mechanical; letters and numerals of common metal, except type; manifolds of metal for pipelines; penstock pipes of metal; telephone booths of metal; telephone boxes of metal; tool boxes of metal, empty; tool chests of metal, empty; chicken-houses of metal; wheel clamps [boots]; wire rope; insect screens of metal; pitons of metal; firedogs [andirons]; wind-driven bird-repelling devices made of metal; metal cages for wild animals; metals in powder form; refractory construction materials of metal; harbours [structures] of metal; stables of metal; pigsties of metal; prefabricated houses [kits] of metal; trays of metal; street gutters of metal; screw tops of metal for bottles; window openers, non-electric; window closers, non-electric; wall tiles of metal; paving slabs of metal; slabs of metal for building; step stools of metal; roofing of metal, incorporating solar cells; armored doors of metal; armoured doors of metal; bathtub grab bars of metal; dispensers for dog waste bags, fixed, of metal; metals in foil or powder form for 3D printers; sash fasteners of metal for windows; door fasteners of metal; pantiles of metal; balustrades of metal; cladding of metal for building.

9 – Coils, electric; particle accelerators; reflecting discs for wear, for the prevention of traffic accidents; protection devices for personal use against accidents; clothing for protection against accidents, irradiation and fire; accumulators, electric, for vehicles; batteries, electric, for vehicles; battery jars; accumulator jars; battery boxes; accumulator boxes; acidimeters for batteries; hydrometers; plates for batteries; whistle alarms; sound alarms; acoustic conduits; sound recording discs; phonograph records; speaking tubes; actinometers; adding machines; aerometers; enlarging apparatus [photography]; electro-dynamic apparatus for the remote control of railway points; magnets; electromagnetic coils; air analysis apparatus; alarms; alcoholmeters; alidades; food analysis apparatus; igniting apparatus, electric, for igniting at a distance; electric apparatus for remote ignition; batteries for lighting; altimeters; asbestos gloves for protection against accidents; asbestos clothing for protection against fire; ammeters; amplifiers; amplifying tubes; amplifying valves; anemometers; calibrating rings; fire extinguishers; anodes; anode batteries; high tension batteries; antennas; aerials; anti-glare glasses; anti-glare visors; an-

ti-dazzle shades; anti-interference devices [electricity]; transformers [electricity]; apertometers [optics]; money counting and sorting machines; distribution boxes [electricity]; surveying instruments; surveying chains; lenses for astrophotography; thermionic tubes; thermionic valves; audiovisual teaching apparatus; coin-operated musical automata [juke boxes]; juke boxes, musical; mechanisms for coin-operated apparatus; mechanisms for counter-operated apparatus; calipers; comparators; fire alarms; automatic indicators of low pressure in vehicle tires [tyres]; automatic indicators of low pressure in vehicle tires; automatic indicators of low pressure in vehicle tyres; protective suits for aviators; alarm bells, electric; rods for water diviners; life-saving rafts; scales; meteorological balloons; demagnetizing apparatus for magnetic tapes; tape recorders; magnetic tapes; barometers; weighing machines; weighbridges; fire beaters; chargers for electric batteries; betatrons; ticket dispensers; cabinets for loudspeakers; close-up lenses; terminals [electricity]; pressure indicator plugs for valves; galvanometers; push buttons for bells; branch boxes [electricity]; tone arms for record players; spirit levels; punched card machines for offices; sheaths for electric cables; frames for photographic transparencies; circular slide rules; slide-rules; calculating machines; slide calipers; jigs [measuring instruments]; blueprint apparatus; cinematographic cameras; capillary tubes; sound recording carriers; protective helmets; respiratory masks, other than for artificial respiration; solderers' helmets; eyeglass chains; spectacle chains; Heat regulating apparatus; darkrooms [photography]; boiler control instruments; drying racks [photography]; editing appliances for cinematographic films; apparatus for editing cinematographic film; printed circuits; flashing lights [luminous signals]; blinkers [signalling lights]; signal bells; containers for microscope slides; collectors, electric; electric installations for the remote control of industrial operations; switchboxes [electricity]; commutators; marine compasses; eyepieces; thread counters; pedometers; counters; meters; metronomes; condensers [capacitors]; capacitors; conductors, electric; electricity conduits; circuit closers; connectors [electricity]; junction boxes [electricity]; switchboards; contacts, electric; apparatus to check franking; apparatus to check stamping mail; regulating apparatus, electric; monitoring apparatus, electric; speed checking apparatus for vehicles; converters, electric; photocopiers [photographic, electrostatic, thermic]; eyeglass cords; spectacle cords; retorts; retorts' stands; correcting lenses [optics]; objectives [lenses] [optics]; cosmographic instruments; diving suits; electric apparatus for commutation; switches, electric; limiters [electricity]; sockets, plugs and other contacts [electric connections]; plugs, sockets and other contacts [electric connections]; current rectifiers; cell switches [electricity]; reducers [electricity]; dressmakers' measures; crucib-

les [laboratory]; cupels [laboratory]; appliances for measuring the thickness of leather; cyclotrons; counterfeit [false] coin detectors; false coin detectors; shutter releases [photography]; densimeters; animated cartoons; laboratory trays; metal detectors for industrial or military purposes; sonars; detectors; shutters [photography]; diaphragms [acoustics]; centering apparatus for photographic transparencies; cameras [photography]; transparencies [photography]; slides [photography]; slide projectors; transparency projection apparatus; distance measuring apparatus; dictating machines; diffraction apparatus [microscopy]; loudspeakers; circuit breakers; record players; microscopes; distance recording apparatus; apparatus for recording distance; range finders; telemeters; distribution boards [electricity]; distribution consoles [electricity]; compasses for measuring; measures; measuring apparatus; dynamometers; water level indicators; fire escapes; flash-bulbs [photography]; telephone receivers; fluorescent screens; projection screens; workmen's protective face-shields; screens [photography]; drainers for use in photography; photographic racks; electric loss indicators; measuring devices, electric; cables, electric; ducts [electricity]; control panels [electricity]; galvanic cells; connections for electric lines; couplings, electric; connections, electric; relays, electric; electrolyzers; transmitters of electronic signals; transmitting sets [telecommunication]; cleaning apparatus for sound recording discs; cleaning apparatus for phonograph records; sound recording strips; kilometer recorders for vehicles; milage recorders for vehicles; spools [photography]; mechanical signs; epidiascopes; test tubes; balancing apparatus; thermostats; ergometers; material testing instruments and machines; egg-candlers; gauges; gasoline gauges; petrol gauges; spark-guards; cases especially made for photographic apparatus and instruments; testing apparatus not for medical purposes; refractometers; exposure meters [light meters]; invoicing machines; apparatus for fermentation [laboratory apparatus]; railway traffic safety appliances; wires, electric; magnetic wires; plumb bobs; plumb lines; nets for protection against accidents; safety nets; life nets; safety tarpaulins; film cutting apparatus; filters for respiratory masks; filters [photography]; battery chargers; high-frequency apparatus; frequency meters; fuses; radios; galena crystals [detectors]; gloves for protection against accidents; gloves for divers; gloves for protection against X-rays for industrial purposes; gas testing instruments; gasometers [measuring instruments]; surveying apparatus and instruments; levelling staffs [surveying instruments]; rods [surveying instruments]; drying apparatus for photographic prints; glazing apparatus for photographic prints; rulers [measuring instruments]; measuring glassware; graduated glassware; screens for photoengraving; grids for batteries; clothing for protection against fire; garments for protection against fire; audio- and video-

receivers; heliographic apparatus; holograms; hygrometers; identification threads for electric wires; identification sheaths for electric wires; life saving apparatus and equipment; fire hose nozzles; fire engines; fire pumps; slope indicators; clinometers; gradient indicators; inclinometers; taximeters; quantity indicators; vacuum gauges; speed indicators; inductors [electricity]; armatures [electricity]; data processing apparatus; mirrors for inspecting work; intercommunication apparatus; carriers for dark plates [photography]; inverters [electricity]; ionization apparatus not for the treatment of air or water; peepholes [magnifying lenses] for doors; hemline markers; furniture especially made for laboratories; lactodensimeters; lactometers; darkroom lamps [photography]; optical lamps; optical lanterns; magic lanterns; signal lanterns; lasers, not for medical purposes; optical lenses; letter scales; logs [measuring instruments]; sounding lines; magnifying glasses [optics]; signs, luminous; neon signs; eyeglasses; instruments containing eyepieces; surveyors' levels; spectacle lenses; optical goods; pressure gauges; manometers; periscopes; protective masks; mathematical instruments; coin-operated mechanisms for television sets; megaphones; computer memory devices; carpenters' rules; mercury levels; speed measuring apparatus [photography]; precision measuring apparatus; measuring instruments; meteorological instruments; rules [measuring instruments]; micrometer screws for optical instruments; microphones; microtomes; time switches, automatic; mirrors [optics]; breathing apparatus for underwater swimming; nautical apparatus and instruments; naval signalling apparatus; navigational instruments; eyeglass frames; spectacle frames; batteries, electric; accumulators, electric; levels [instruments for determining the horizontal]; levelling instruments; prisms [optics]; observation instruments; octants; ohmmeters; wavemeters; optical apparatus and instruments; optical glass; computers; computer programmes [programs], recorded; oscillographs; oxygen transvasing apparatus; ozonisers [ozonators]; micrometers; micrometer gauges; signalling panels, luminous or mechanical; lightning conductors [rods]; lightning arresters; lightning conductors; parking meters; apparatus and instruments for astronomy; apparatus for measuring the thickness of skins; acid hydrometers; weighing apparatus and instruments; salinometers; washing trays [photography]; stands for photographic apparatus; viewfinders, photographic; photometers; phototelegraphy apparatus; apparatus and instruments for physics; steering apparatus, automatic, for vehicles; pince-nez; pipettes; plane tables [surveying instruments]; planimeters; ear plugs for divers; bells [warning devices]; weights; polarimeters; radiotelephony sets; radiotelegraphy sets; pressure measuring apparatus; pressure indicators; projection apparatus; cathodic anti-corrosion apparatus; teeth protectors; pyrometers; radar apparatus; vehicle radios; radiological apparatus for

industrial purposes; protractors [measuring instruments]; apparatus and installations for the production of X-rays, not for medical purposes; X-ray tubes not for medical purposes; protection devices against X-rays, not for medical purposes; telephone apparatus; refractors; X-ray apparatus not for medical purposes; spectrosopes; resistances, electric; thermometers, not for medical purposes; respirators for filtering air; breathing apparatus, except for artificial respiration; rheostats; balances [steelyards]; lever scales [steelyards]; steelyards [lever scales]; signals, luminous or mechanical; saccharometers; probes for scientific purposes; satellites for scientific purposes; diaphragms for scientific apparatus; teaching apparatus; choking coils [impedance]; wire connectors [electricity]; locks, electric; sextants; signalling whistles; vehicle breakdown warning triangles; electrodynamic apparatus for the remote control of signals; simulators for the steering and control of vehicles; sirens; sound transmitting apparatus; sound recording apparatus; sound reproduction apparatus; sounding apparatus and machines; sounding leads; sound locating instruments; spectrograph apparatus; spherometers; stereoscopes; stereoscopic apparatus; needles for record players; styli for record players; sulfimeters; teleprinters; teletypewriters; tachometers; screw-tapping gauges; telegraphs [apparatus]; television apparatus; telegraph wires; remote control apparatus; masts for wireless aerials; teleprompters; telephone transmitters; telerupters; binoculars; telescopes; temperature indicators; time recording apparatus; theodolites; thermostats for vehicles; totalizers; revolution counters; speed regulators for record players; transmitters [telecommunication]; precision balances; marking gauges [joinery]; vacuum tubes [radio]; urinometers; variometers; verniers; videotapes; viscosimeters; theft prevention installations, electric; voltage regulators for vehicles; voting machines; voltmeters; apparatus for changing record player needles; stills for laboratory experiments; fuse wire; wires of metal alloys [fuse wire]; anticathodes; dog whistles; sighting telescopes for firearms; telescopic sights for firearms; anti-theft warning apparatus; azimuth instruments; beacons, luminous; holders for electric coils; films, exposed; road signs, luminous or mechanical; life buoys; signalling buoys; buzzers; directional compasses; fog signals, non-explosive; cash registers; radiology screens for industrial purposes; identity cards, magnetic; photovoltaic cells; densitometers; disks, magnetic; floppy disks; head cleaning tapes [recording]; video recorders; computer keyboards; integrated circuits; semi-conductors; chips [integrated circuits]; cathodes; life jackets; life belts; chemistry apparatus and instruments; cinematographic film, exposed; materials for electricity mains [wires, cables]; contact lenses; containers for contact lenses; incubators for bacteria culture; solar batteries; copper wire, insulated; discharge tubes, electric, other than for lighting; electric dischar-



ge tubes, other than for lighting; diaphragms [photography]; distillation apparatus for scientific purposes; dosage dispensers; dosimeters; electric door bells; eyeglass cases; spectacle cases; furnaces for laboratory use; ovens for laboratory use; optical fibers [fibres] [light conducting filaments]; light conducting filaments [optical fibers [fibres]]; telephone wires; X-ray films, exposed; filters for ultraviolet rays, for photography; horns for loudspeakers; tripods for cameras; bar code readers; bullet-proof waistcoats [vests (Am.)]; marking buoys; wafers for integrated circuits; chromatography apparatus for laboratory use; chronographs [time recording apparatus]; compact discs [audio-video]; compact discs [read-only memory]; computer operating programs, recorded; computer peripheral devices; computer software, recorded; optical condensers; acoustic couplers; couplers [data processing equipment]; decompression chambers; plotters; divers' masks; electronic pens [visual display units]; encoded magnetic cards; facsimile machines; fire boats; interfaces for computers; juke boxes for computers; knee-pads for workers; light dimmers [regulators], electric; light regulators [dimmers], electric; magnetic data media; magnetic encoders; magnetic tape units for computers; microprocessors; modems; monitors [computer hardware]; monitors [computer programs]; mouse [computer peripheral]; optical character readers; optical data media; optical discs; printers for use with computers; processors [central processing units]; central processing units [processors]; readers [data processing equipment]; safety restraints, other than for vehicle seats and sports equipment; scanners [data processing equipment]; smoke detectors; transistors [electronic]; X-ray photographs, other than for medical purposes; junction sleeves for electric cables; abacuses; electronic agendas; answering machines; camcorders; cassette players; compact disc players; diagnostic apparatus, not for medical purposes; disk drives for computers; electrified rails for mounting spot lights; electronic pocket translators; electronic tags for goods; fire blankets; flashlights [photography]; integrated circuit cards [smart cards]; smart cards [integrated circuit cards]; measuring spoons; notebook computers; electronic notice boards; pocket calculators; shoes for protection against accidents, irradiation and fire; sprinkler systems for fire protection; starter cables for motors; sunglasses; time clocks [time recording devices]; video cassettes; video game cartridges; video screens; video telephones; goggles for sports; nose clips for divers and swimmers; protective helmets for sports; electronic publications, downloadable; computer programs [downloadable software]; navigation apparatus for vehicles [on-board computers]; decorative magnets; cordless telephones; mouse pads; personal stereos; wrist rests for use with computers; coaxial cables; fibre [fiber (Am.)] optic cables; covers for electric outlets; marine depth finders; electrified fen-

ces; computer game software; headphones; lighting ballasts; radio pagers; satellite navigational apparatus; solenoid valves [electromagnetic switches]; voltage surge protectors; walkie-talkies; wind socks for indicating wind direction; light-emitting electronic pointers; resuscitation mannequins [teaching apparatus]; stage lighting regulators; egg timers [sandglasses]; hourglasses; DNA chips; DVD players; automated teller machines [ATM]; traffic-light apparatus [signalling devices]; hands-free kits for telephones; asbestos screens for firemen; riding helmets; clothing especially made for laboratories; encoded identification bracelets, magnetic; transponders; downloadable ring tones for mobile phones; downloadable music files; downloadable image files; crash test dummies; laboratory centrifuges; printed circuit boards; USB flash drives; Global Positioning System [GPS] apparatus; portable media players; cell phone straps; light-emitting diodes [LED]; triodes; step-up transformers; laptop computers; fire hose; bags adapted for laptops; sleeves for laptops; digital photo frames; Petri dishes; Pitot tubes; stroboscopes; traffic cones; temperature indicator labels, not for medical purposes; computer software applications, downloadable; electronic book readers; smartphones; toner cartridges, unfilled, for printers and photocopiers; baby monitors; video baby monitors; lens hoods; tablet computers; encoded key cards; 3D spectacles; memory cards for video game machines; bullet-proof clothing; accelerometers; electrical adapters; life-saving capsules for natural disasters; computer hardware; solar panels for the production of electricity; cellular phones; mobile telephones; cell phones; telescopic sights for artillery; digital signs; wearable activity trackers; chargers for electronic cigarettes; connected bracelets [measuring instruments]; covers for smartphones; cases for smartphones; selfie sticks [hand-held monopods]; calorimeters; flowmeters; reflective safety vests; electronic collars to train animals; joysticks for use with computers, other than for video games; smartglasses; smartwatches; fire extinguishing apparatus; protective films adapted for computer screens; mouth guards for sports; head guards for sports.

14 – Agates; clock hands; ingots of precious metals; jewelry of yellow amber; jewellery of yellow amber; pearls made of ambroid [pressed amber]; amulets [jewellery]; amulets [jewelry]; spun silver [silver wire]; silver thread [jewellery]; silver thread [jewelry]; clocks; pendulums [clock- and watchmaking]; barrels [clock- and watchmaking]; bracelets [jewellery]; bracelets [jewelry]; wristwatches; watch bands; watch straps; straps for wristwatches; charms for jewellery; jewellery charms; charms for jewelry; jewelry charms; brooches [jewellery]; brooches [jewelry]; dials [clock- and watchmaking]; sundials; clockworks; chains [jewellery]; chains [jewelry]; watch chains; chronographs [watches]; chronometers; chronoscopes; chronometric instruments; neck-

laces [jewellery]; necklaces [jewelry]; clocks and watches, electric; tie clips; coins; diamonds; threads of precious metal [jewellery]; threads of precious metal [jewelry]; wire of precious metal [jewellery]; wire of precious metal [jewelry]; atomic clocks; control clocks [master clocks]; master clocks; clock cases; iridium; ivory jewelry; ivory jewellery; ornaments of jet; jet, unwrought or semi-wrought; copper tokens; jewelry; jewellery; lockets [jewellery]; lockets [jewelry]; medals; precious metals, unwrought or semi-wrought; watches; watch springs; watch glasses; watch crystals; movements for clocks and watches; olivine [gems]; peridot; gold, unwrought or beaten; gold thread [jewellery]; gold thread [jewelry]; osmium; palladium; ornaments [jewelry]; ornamental pins; pearls [jewellery]; pearls [jewelry]; semi-precious stones; precious stones; platinum [metal]; rhodium; ruthenium; spinel [precious stones]; statues of precious metal; paste jewellery; paste jewelry [costume jewelry]; alloys of precious metal; anchors [clock- and watchmaking]; rings [jewellery]; rings [jewelry]; works of art of precious metal; boxes of precious metal; hat ornaments of precious metal; earrings; shoe ornaments of precious metal; cuff links; busts of precious metal; watch cases [parts of watches]; presentation boxes for watches; figurines [statuettes] of precious metal; statuettes of precious metal; pins [jewellery]; pins [jewelry]; tie pins; badges of precious metal; key chains [trinkets or fobs]; silver, unwrought or beaten; stopwatches; cloisonne jewellery; cloisonne jewelry; jewellery boxes; jewelry boxes; beads for making jewelry; beads for making jewellery; clasps for jewelry; clasps for jewellery; jewelry findings; jewellery findings; jewelry rolls; jewellery rolls; cabochons for making jewellery; cabochons for making jewelry; split rings of precious metal for keys; presentation boxes for jewellery; presentation boxes for jewelry; watch hands; rosaries; chaplets.

16 – Steel letters; steel pens; adhesive tape dispensers [office requisites]; address stamps; addressing machines; paper; posters; advertisement boards of paper or cardboard; franking machines for office use; postage meters for office use; staples for offices; clips for offices; pen clips; stapling presses [office requisites]; albums; scrapbooks; pictures; prints [engravings]; cigar bands; pencil sharpening machines, electric or non-electric; bookends; hand-rests for painters; aquarelles; watercolors [paintings]; watercolours [paintings]; architects' models; document files [stationery]; writing slates; slate pencils; silver paper; modelling clay; arithmetical tables; calculating tables; engravings; lithographic works of art; paintings [pictures], framed or unframed; pencils; newspapers; periodicals; atlases; loose-leaf binders; gummed tape [stationery]; mats for beer glasses; tickets; biological samples for use in microscopy [teaching materials]; printing blocks; drawing pads; pads [stationery]; spools for inking ribbons;

wristbands for the retention of writing instruments; pamphlets; embroidery designs [patterns]; drawing pins; thumbtacks; moisteners [office requisites]; painters' brushes; blotters; stamps [seals]; sealing stamps; inking pads; sealing wax; sealing machines for offices; sealing compounds for stationery purposes; writing or drawing books; trays for sorting and counting money; tracing patterns; tracing paper; tracing cloth; finger-stalls [office requisites]; printing type; carbon paper; paper for recording machines; note books; square rulers; cards; charts; teaching materials [except apparatus]; index cards [stationery]; paper sheets [stationery]; cardboard; hat boxes of cardboard; perforated cards for Jacquard looms; cardboard tubes; catalogues; tags for index cards; song books; composing frames [printing]; folders for papers; jackets for papers; painters' easels; numbers [type]; Indian inks; chromolithographs [chromos]; chromos; modelling wax, not for dental purposes; files [office requisites]; office perforators; toilet paper; hygienic paper; books; compasses for drawing; type [numerals and letters]; letters [type]; composing sticks; letter trays; conical paper bags; correcting fluids [office requisites]; correcting ink [heliography]; pencil leads; histological sections for teaching purposes; French curves; covers [stationery]; wrappers [stationery]; writing chalk; chalk for lithography; tailors' chalk; chalk holders; pencil holders; pencil lead holders; cream containers of paper; paper clasps; rollers for typewriters; transfers [decalcomanias]; decalcomanias; graphic prints; graining combs; drawing boards; drawing materials; drawing instruments; diagrams; envelopes [stationery]; duplicators; etchings; wrapping paper; packing paper; nibs; typewriters, electric or non-electric; pen cases; boxes for pens; nibs of gold; erasing products; writing materials; shields [paper seals]; erasing shields; rubber erasers; electrocardiograph paper; punches [office requisites]; ink; inking ribbons; inkwells; envelope sealing machines, for offices; photographs [printed]; pen wipers; seals [stamps]; fabrics for bookbinding; drawing sets; ledgers [books]; indexes; figurines [statuettes] of papier mâché; filter paper; filtering materials [paper]; forms, printed; office requisites, except furniture; charcoal pencils; stencils [stationery]; galley racks [printing]; electrotypes; geographical maps; terrestrial globes; artists' watercolor saucers; artists' watercolour saucers; graphic reproductions; graphic representations; scrapers [erasers] for offices; engraving plates; hectographs; printed timetables; moisteners for gummed surfaces [office requisites]; postcards; printed matter; hand labelling appliances; printers' blankets, not of textile; printing sets, portable [office requisites]; printed publications; manuals [handbooks]; handbooks [manuals]; writing paper; paperweights; tracing needles for drawing purposes; drawing pens; table linen of paper; lithographs; lithographic stones; booklets; luminous paper; papier mâché; manifolds [stationery];

marking chalk; plastics for modeling; modelling materials; modelling paste; handkerchiefs of paper; inking sheets for duplicators; tablecloths of paper; blackboards; paper-clips; numbering apparatus; oleographs; binding strips [bookbinding]; sealing wafers; palettes for painters; pantographs [drawing instruments]; stationery; parchment paper; pastels [crayons]; sewing patterns; stencil cases; house painters' rollers; canvas for painting; paint boxes [articles for use in school]; plastic film for wrapping; apparatus for mounting photographs; photograph stands; photo-engravings; blueprints; plans; folders [stationery]; fountain pens; stencil plates; stencils; portraits; covers of paper for flower pots; flower-pot covers of paper; mimeograph apparatus and machines; paper tapes and cards for the recordal of computer programmes; prospectuses; paper for radiograms; drawing rulers; printers' reglets; bookbinding material; bookbindings; bookbinding cloth; cloth for bookbinding; cords for bookbinding; bookbinding cords; inking sheets for document reproducing machines; pens [office requisites]; magazines [periodicals]; paper ribbons; typewriter ribbons; bags [envelopes, pouches] of paper or plastics, for packaging; stamp pads; school supplies [stationery]; bookmarkers; greeting cards; steatite [tailor's chalk]; balls for ball-point pens; tablemats of paper; desk mats; typewriter keys; holders for stamps [seals]; cases for stamps [seals]; postage stamps; stamp stands; transparencies [stationery]; vignetting apparatus; gluten [glue] for stationery or household purposes; adhesives [glues] for stationery or household purposes; adhesive tapes for stationery or household purposes; adhesive bands for stationery or household purposes; address plates for addressing machines; almanacs; calendars; starch paste [adhesive] for stationery or household purposes; paintbrushes; self-adhesive tapes for stationery or household purposes; elastic bands for offices; bibs of paper; wood pulp board [stationery]; wood pulp paper; boxes of cardboard or paper; stands for pens and pencils; bottle envelopes of cardboard or paper; coasters of paper; announcement cards [stationery]; plastic bubble packs for wrapping or packaging; flags of paper; paper shredders for office use; sheets of reclaimed cellulose for wrapping; cabinets for stationery [office requisites]; glue for stationery or household purposes; pastes for stationery or household purposes; paper knives [cutters] [office requisites]; paper cutters [office requisites]; paper knives [office requisites]; garbage bags of paper or of plastics; pencil sharpeners, electric or non-electric; tissues of paper for removing make-up; table napkins of paper; place mats of paper; drawing squares; drawing T-squares; penholders; writing cases [stationery]; inkstands; writing cases [sets]; handwriting specimens for copying; bottle wrappers of cardboard or paper; placards of paper or cardboard; towels of paper; face towels of paper; labels, not of textile; etching needles; viscose sheets for

wrapping; gums [adhesives] for stationery or household purposes; gummed cloth for stationery purposes; isinglass for stationery or household purposes; bags for microwave cooking; paper coffee filters; plastic cling film, extensible, for palletization; inking ribbons for computer printers; signboards of paper or cardboard; stickers [stationery]; bookbinding apparatus and machines [office equipment]; comic books; copying paper [stationery]; holders for checkbooks [cheque books]; ink sticks; ink stones [ink reservoirs]; musical greeting cards; newsletters; packaging material made of starches; waxed paper; passport holders; writing brushes; writing instruments; drawer liners of paper, perfumed or not; credit card imprinters, non-electric; document laminators for office use; Xuan paper for Chinese painting and calligraphy; writing board erasers; clipboards; chart pointers, non-electronic; paper bows; molds for modelling clays [artists' materials]; moulds for modelling clays [artists' materials]; money clips; trading cards other than for games; absorbent sheets of paper or plastic for foodstuff packaging; humidity control sheets of paper or plastic for foodstuff packaging; correcting tapes [office requisites]; paint trays; marking pens [stationery]; flyers; document holders [stationery]; page holders; polymer modelling clay; obliterating stamps; packing [cushioning, stuffing] materials of paper or cardboard; stuffing of paper or cardboard; banknotes; spray chalk; printed coupons; rice paper.

18 – Mountaineering sticks; alpenstocks; animal skins; pelts; umbrella rings; saddle trees; leather leashes; leather leads; fastenings for saddles; umbrella or parasol ribs; goldbeaters' skin; purses; bridoons; straps for soldiers' equipment; music cases; umbrella sticks; walking sticks; canes; walking stick seats; bits for animals [harness]; frames for umbrellas or parasols; game bags [hunting accessories]; school bags; school satchels; card cases [notecases]; leatherboard; hat boxes of leather; horse collars; horse blankets; kid; muzzles; travelling trunks; collars for animals; leather laces; curried skins; harness straps; harness traces; straps of leather [saddlery]; straps for skates; leather straps; leather thongs; butts [parts of hides]; leather, unworked or semi-worked; leather thread; leather twist; trimmings of leather for furniture; leather trimmings for furniture; imitation leather; umbrellas; sling bags for carrying infants; parts of rubber for stirrups; stirrup leathers; tool bags, empty; whips; nose bags [feed bags]; umbrella covers; casings, of leather, for springs; casings, of leather, for plate springs; knee-pads for horses; clothing for pets; covers for animals; harness for animals; blinkers [harness]; blinders [harness]; traces [harness]; rucksacks; backpacks; halters; head-stalls; walking stick handles; walking cane handles; cat o' nine tails; chin straps, of leather; moleskin [imitation of leather]; handbag frames; parasols; fur; fur-skins; umbrella handles; pocket wallets; wheeled shopping

bags; shopping bags; attache cases; bags for climbers; bags for campers; beach bags; handbags; travelling bags; bags [envelopes, pouches] of leather, for packaging; girths of leather; riding saddles; saddlery; briefcases; travelling sets [leatherware]; valises; suitcase handles; valves of leather; cattle skins; boxes of leather or leatherboard; chain mesh purses; cases of leather or leatherboard; trunks [luggage]; vanity cases, not fitted; chamois leather, other than for cleaning purposes; skins of chamois, other than for cleaning purposes; shoulder belts [straps] of leather; leather shoulder belts; leather shoulder straps; covers for horse saddles; boxes of vulcanised fibre; garment bags for travel; bridles [harness]; key cases; net bags for shopping; furniture coverings of leather; pads for horse saddles; bags for sports; stirrups; harness fittings; horseshoes; slings for carrying infants; pouch baby carriers; bags; credit card cases [wallets]; business card cases; randsels [Japanese school satchels]; luggage tags; saddlecloths for horses; reins for guiding children.

26 – Shoe fasteners; needles; shoemakers' needles; sewing needles; needles for wool combing machines; binding needles; darning needles; saddlers' needles; knitting needles; fastenings for clothing; ostrich feathers [clothing accessories]; whalebones for corsets; corset busks; hair bands; false beards; hair grips; bobby pins; hat ornaments, not of precious metal; edgings for clothing; lace for edgings; darning lasts; buttons; snap fasteners; expanding bands for holding sleeves; brassards; arm bands [clothing accessories]; fastenings for suspenders; fastenings for braces; brooches [clothing accessories]; embroidery; fancy goods [embroidery]; belt clasps; numerals or letters for marking linen; monogram tabs for marking linen; shoe hooks; shoe laces; shoe ornaments, not of precious metal; shoe eyelets; chenille [passementerie]; decorative articles for the hair; hair curling pins; hair barrettes; hair slides; hair pins; hair nets; false hair; tresses of hair; plaited hair; numerals for marking linen; collar supports; cords for clothing; blouse fasteners; dress body fasteners; sewing boxes; sewing thimbles; crochet hooks; crochet needles; hooks [haberdashery]; zippers; zip fasteners; slide fasteners [zippers]; pin cushions; false hems; festoons [embroidery]; shuttles for making fishing nets; artificial flowers; fringes; artificial fruit; braids; tassels [haberdashery]; trimmings for clothing; artificial garlands; frills [lacework]; woollen laces; lace trimmings; passementerie; letters for marking linen; haberdashery, except thread; mica spangles; false moustaches; eyelets for clothing; birds' feathers [clothing accessories]; tinsels [trimmings for clothing]; orsedew [trimmings for clothing]; ribbons [haberdashery]; spangles for clothing; needle cushions; wigs; picot [lace]; heat adhesive patches for repairing textile articles; feathers [clothing accessories]; top-knots [pompoms]; skirt flounces; rosettes [haberdashery]; frills for clothing; zippers for bags;

zip fasteners for bags; shoe buckles; toupees; bodkins; needle cases; boxes for needles; silver embroidery; gold embroidery; elastic ribbons; cords for rimming, for clothing; buckles [clothing accessories]; hooks for corsets; wreaths of artificial flowers; pins, other than jewellery [jewelry (Am.)]; badges for wear, not of precious metal; heat adhesive patches for decoration of textile articles [haberdashery]; competitors' numbers; ornamental novelty badges [buttons]; bows for the hair; hair coloring caps; hair colouring caps; hook and pile fastening tapes; prize ribbons; shoulder pads for clothing; trouser clips for cyclists; tapes for curtain headings; hair curling papers; rug hooks; beads, other than for making jewellery; beads, other than for making jewellery; bobbins for retaining embroidery floss or wool [not parts of machines]; hair extensions; human hair; hair curlers, other than hand implements; appliques [haberdashery]; artificial plants; sewing kits; entomological pins; embroidery needles.

28 – Bladders of balls for games; artificial fishing bait; caps for pistols [toys]; toys for pets; ring games; Christmas trees of synthetic material; bows for archery; archery implements; edges of skis; swings; balls for games; play balloons; billiard table cushions; rocking horses; batting gloves [accessories for games]; dolls' feeding bottles; stationary exercise bicycles; billiard balls; chalk for billiard cues; billiard markers; skittles; marbles for games; toys; building blocks [toys]; bob-sleighs; explosive bonbons [Christmas crackers]; cosaques [toy fireworks]; skating boots with skates attached; candle holders for Christmas trees; playing balls; bowling apparatus and machinery; boxing gloves; gut for rackets; golf clubs; rods for fishing; kites; kite reels; targets; bells for Christmas trees; counters [discs] for games; building games; strings for rackets; machines for physical exercises; body-building apparatus; body-training apparatus; body rehabilitation apparatus; novelties for parties, dances [party favors, favours]; shin guards [sports articles]; cricket bags; hockey sticks; checkers [games]; draughts [games]; dice; chest expanders [exercisers]; exercisers [expanders]; discuses for sports; dominoes; chess games; chessboards; checkerboards; draughtboards; toy pistols; rollers for stationary exercise bicycles; landing nets for anglers; golf bags, with or without wheels; practical jokes [novelties]; nets for sports; tennis nets; ski bindings; darts; floats for fishing; foosball tables; harpoon guns [sports articles]; gloves for games; cups for dice; bar-bells; fish hooks; rattles [playthings]; parlor games; parlour games; games; clay pigeon traps; rackets; bats for games; decoys for hunting or fishing; lures for hunting or fishing; fishing tackle; fishing lines; dolls' beds; dolls' houses; puppets; marionettes; dolls; theatrical masks; carnival masks; scale model vehicles; reels for fishing; flippers for swimming; swimming webs [flippers]; creels [fishing traps]; swimming pools [play articles]; artificial

snow for Christmas trees; quoits; roller skates; ice skates; seal skins [coverings for skis]; clay pigeons [targets]; surfboards; dolls' clothes; dolls' rooms; conjuring apparatus; skittles [games]; ninepins; gut for fishing; sole coverings for skis; skis; tables for table tennis; spinning tops [toys]; sleds [sports articles]; backgammon games; scooters [toys]; shuttlecocks; toy air pistols; percussion caps [toys]; detonating caps [toys]; ornaments for Christmas trees, except illumination articles and confectionery; Christmas tree stands; billiard cues; billiard cue tips; billiard tables; coin-operated billiard tables; surf skis; sailboards; hang gliders; apparatus for games; appliances for gymnastics; fencing weapons; fencing masks; fencing gauntlets; fencing gloves; baseball gloves; climbers' harness; elbow guards [sports articles]; knee guards [sports articles]; mobiles [toys]; paragliders; protective paddings [parts of sports suits]; skateboards; slides [playthings]; spring boards [sports articles]; teddy bears; waterskis; golf gloves; bite indicators [fishing tackle]; bite sensors [fishing tackle]; board games; fairground ride apparatus; flying discs [toys]; horseshoe games; mah-jong; plush toys; soap bubbles [toys]; toy vehicles; twirling batons; butterfly nets; bags especially designed for skis and surfboards; harness for sailboards; jigsaw puzzles; masts for sailboards; paintball guns [sports apparatus]; paintballs [ammunition for paintball guns] [sports apparatus]; surfboard leashes; tennis ball throwing apparatus; starting blocks for sports; snow globes; weight lifting belts [sports articles]; bodyboards; bingo cards; divot repair tools [golf accessories]; pitch mark repair tools [golf accessories]; hunting game calls; roulette wheels; in-line roller skates; piñatas; punching bags; radio-controlled toy vehicles; rosin used by athletes; snowshoes; sling shots [sports articles]; amusement machines, automatic and coin-operated; kaleidoscopes; playing cards; confetti; electronic targets; scent lures for hunting or fishing; camouflage screens [sports articles]; men's athletic supporters [sports articles]; snowboards; scale model kits [toys]; pachinkos; ascenders [mountaineering equipment]; gaming machines for gambling; slot machines [gaming machines]; paper party hats; swimming kick boards; chips for gambling; scratch cards for playing lottery games; stuffed toys; trampolines; poles for pole vaulting; water wings; swimming belts; swimming jackets; video game machines; portable games with liquid crystal displays; arcade video game machines; controllers for game consoles; toy models; toy figures; ball pitching machines; masks [playthings]; matryoshka dolls; controllers for toys; golf bag carts; golf bag trolleys; paddleboards; gyroscopes and flight stabilizers for model aircraft; joysticks for video games; protective films adapted for screens for portable games; drones [toys].

35 – Business management assistance; business inquiries; bill-posting; outdoor advertising; import-ex-

port agency services; commercial information agency services; dissemination of advertising matter; photocopying services; employment agency services; office machines and equipment rental; book-keeping; accounting; drawing up of statements of accounts; business auditing; business management and organization consultancy; personnel management consultancy; business management consultancy; typing; demonstration of goods; direct mail advertising; commercial or industrial management assistance; document reproduction; updating of advertising material; distribution of samples; business efficiency expert services; auctioneering; market studies; business appraisals; business investigations; publicity material rental; business organization consultancy; publication of publicity texts; advertising; publicity; radio advertising; business research; public relations; shorthand; television advertising; transcription of communications [office functions]; shop window dressing; publicity agency services; advisory services for business management; modelling for advertising or sales promotion; marketing research; computerized file management; professional business consultancy; economic forecasting; organization of exhibitions for commercial or advertising purposes; business information; opinion polling; payroll preparation; personnel recruitment; relocation services for businesses; rental of advertising space; sales promotion for others; secretarial services; tax preparation; telephone answering for unavailable subscribers; word processing; arranging newspaper subscriptions for others; advertising by mail order; business management of hotels; business management of performing artists; compilation of information into computer databases; systemization of information into computer databases; organization of trade fairs for commercial or advertising purposes; rental of photocopying machines; on-line advertising on a computer network; procurement services for others [purchasing goods and services for other businesses]; data search in computer files for others; rental of advertising time on communication media; news clipping services; rental of vending machines; psychological testing for the selection of personnel; price comparison services; presentation of goods on communication media, for retail purposes; commercial information and advice for consumers [consumer advice shop]; arranging subscriptions to telecommunication services for others; administrative processing of purchase orders; commercial administration of the licensing of the goods and services of others; outsourcing services [business assistance]; invoicing; writing of publicity texts; compilation of statistics; layout services for advertising purposes; sponsorship search; organization of fashion shows for promotional purposes; production of advertising films; business management of sports people; marketing; telemarketing services; retail or wholesale services for pharmaceutical, veterinary and sanitary

preparations and medical supplies; rental of sales stands; provision of commercial and business contact information; search engine optimization for sales promotion; search engine optimisation for sales promotion; web site traffic optimization; pay per click advertising; commercial intermediation services; business management for freelance service providers; negotiation and conclusion of commercial transactions for third parties; updating and maintenance of data in computer databases; business project management services for construction projects; providing business information via a web site; provision of an on-line marketplace for buyers and sellers of goods and services; design of advertising materials; outsourced administrative management for companies; tax filing services; business management of reimbursement programs for others; business management of reimbursement programmes for others; rental of billboards [advertising boards]; writing of resumes for others; writing of curriculum vitae for others; web indexing for commercial or advertising purposes; administration of frequent flyer programs; appointment scheduling services [office functions]; appointment reminder services [office functions]; administration of consumer loyalty programs; scriptwriting for advertising purposes.

36 – Accident insurance underwriting; instalment loans; actuarial services; rental of real estate; brokerage; credit bureau services; real estate agency services; real estate brokerage; debt collection agency services; insurance brokerage; financial customs brokerage services; insurance underwriting; banking; real estate appraisal; charitable fund raising; mutual funds; capital investment; surety services; exchanging money; issuance of travelers' checks; issuance of travellers' cheques; clearing, financial; clearing-houses, financial; safe deposit services; organization of collections; loans [financing]; fiscal valuation; financial evaluation [insurance, banking, real estate]; factoring; trusteeship; fiduciary; financing services; financial management; pawnbrokerage; real estate management; apartment house management; fire insurance underwriting; rental of apartments; rental of farms; health insurance underwriting; marine insurance underwriting; mortgage banking; savings bank services; lease-purchase financing; hire-purchase financing; securities brokerage; life insurance underwriting; accommodation bureau services [apartments]; financial analysis; antique appraisal; art appraisal; check [cheque] verification; financial consultancy; insurance consultancy; processing of credit card payments; processing of debit card payments; electronic funds transfer; financial information; insurance information; jewellery [jewelry (Am.)] appraisal; numismatic appraisal; rent collection; stamp appraisal; issuance of tokens of value; deposits of valuables; stock exchange quotations; issuance of credit cards; rental of offices [real estate]; retirement payment services; financial sponsorship; online ban-

king; business liquidation services, financial; repair costs evaluation [financial appraisal]; brokerage of carbon credits; financial evaluation of standing timber; financial valuation of standing timber; financial evaluation of wool; financial valuation of wool; lending against security; provident fund services; stock brokerage services; debt advisory services; arranging finance for construction projects; providing financial information via a web site; financial management of reimbursement payments for others; investment of funds; stocks and bonds brokerage; providing rebates at participating establishments of others through use of a membership card; bail-bonding.

38 – Radio broadcasting; message sending; television broadcasting; transmission of telegrams; telegraph services; communications by telegrams; telephone services; communications by telephone; telex services; news agency services; cable television broadcasting; communications by cellular phones; communications by computer terminals; computer aided transmission of messages and images; transmission of electronic mail; facsimile transmission; information about telecommunication; paging services [radio, telephone or other means of electronic communication]; rental of message sending apparatus; communications by fibre optic networks; communications by fiber optic networks; rental of facsimile apparatus; rental of modems; rental of telecommunication equipment; rental of telephones; satellite transmission; electronic bulletin board services [telecommunications services]; providing telecommunications connections to a global computer network; telecommunications routing and junction services; teleconferencing services; providing user access to global computer networks; rental of access time to global computer networks; providing telecommunication channels for teleshopping services; providing internet chatrooms; providing access to databases; voice mail services; transmission of greeting cards online; transmission of digital files; wireless broadcasting; videoconferencing services; providing online forums; streaming of data; radio communications; video-on-demand transmission.

40 – Abrasion; processing of cinematographic films; air purification; magnetization; applying finishes to textiles; paper finishing; silver plating; fabric bleaching; woodworking; cloth edging; soldering; dressmaking; cadmium plating; permanent-press treatment of fabrics; pottery firing; firing pottery; shoe staining; chromium plating; metal plating; leather staining; fur conditioning; cloth cutting; pattern printing; photographic film development; gilding; water treating; electroplating; tin plating; custom fashioning of fur; blacksmithing; fur mothproofing; millworking; fruit crushing; food smoking; galvanization; engraving; fabric waterproofing; cloth waterproofing; cloth fireproofing; fabric fireproofing; tex-

tile fireproofing; crease-resistant treatment for clothing; wool treating; laminating; grinding; metal treating; metal tempering; flour milling; nickel plating; warping [looms]; skin dressing; burnishing by abrasion; bookbinding; planing [saw mill]; saddlery working; sawing [saw mill]; custom tailoring; tanning; taxidermy; dyeing services; textile dyeing; textile treating; cloth treating; textile mothproofing; cloth dyeing; paper treating; glass-blowing; embroidering; leather working; window tinting treatment, being surface coating; food and drink preservation; timber felling and processing; recycling of waste and trash; cloth pre-shrinking; fur glossing; fur staining; fur dyeing; air deodorizing; air freshening; custom assembling of materials for others; framing of works of art; gold plating; laser scribing; material treatment information; optical glass grinding; photographic printing; photogravure; processing of oil; quilting; refining services; slaughtering of animals; stripping finishes; waste treatment [transformation]; clothing alteration; boilermaking; metal casting; vulcanization [material treatment]; services of a dental technician; production of energy; rental of generators; destruction of waste and trash; incineration of waste and trash; colour separation services; key cutting; decontamination of hazardous materials; lithographic printing; printing; knitting machine rental; offset printing; photocomposing services; silkscreen printing; sorting of waste and recyclable material [transformation]; freezing of foods; rental of air conditioning apparatus; rental of space heating apparatus; fulling of cloth; cryopreservation services; sandblasting services; rental of boilers; upcycling [waste recycling]; welding services.

41 – Academies [education]; amusement park services; entertainment services; animal training; rental of cinematographic apparatus; entertainer services; movie studio services; presentation of circus performances; organization of competitions [education or entertainment]; correspondence courses; physical education; rental of show scenery; providing recreation facilities; radio entertainment; publication of texts, other than publicity texts; teaching; educational services; instruction services; rental of sound recordings; rental of motion pictures; film production, other than advertising films; gymnastic instruction; lending library services; publication of books; rental of radio and television sets; production of radio and television programmes; presentation of variety shows; orchestra services; theatre productions; production of shows; television entertainment; rental of stage scenery; zoological garden services; providing sports facilities; modelling for artists; mobile library services; bookmobile services; providing casino facilities [gambling]; club services [entertainment or education]; arranging and conducting of colloquiums; arranging and conducting of conferences; arranging and conducting of congresses; discotheque services; education information; educational exami-

nation; entertainment information; organization of exhibitions for cultural or educational purposes; gambling services; providing golf facilities; health club services [health and fitness training]; holiday camp services [entertainment]; presentation of live performances; cinema presentations; movie theatre presentations; nursery schools; organization of sports competitions; party planning [entertainment]; practical training [demonstration]; providing museum facilities [presentation, exhibitions]; recording studio services; recreation information; rental of skin diving equipment; rental of sports equipment, except vehicles; rental of stadium facilities; rental of video cassette recorders; rental of videotapes; arranging and conducting of seminars; sport camp services; arranging and conducting of symposiums; timing of sports events; boarding school education; arranging and conducting of workshops [training]; arranging of beauty contests; booking of seats for shows; dubbing; religious education; organization of lotteries; organization of balls; organization of shows [impresario services]; providing amusement arcade services; rental of audio equipment; rental of lighting apparatus for theatrical sets or television studios; rental of tennis courts; rental of video cameras; rental of camcorders; scriptwriting, other than for advertising purposes; videotape editing; on-line publication of electronic books and journals; electronic desktop publishing; subtitling; game services provided on-line from a computer network; karaoke services; music composition services; nightclub services [entertainment]; providing on-line electronic publications, not downloadable; photographic reporting; photography; vocational guidance [education or training advice]; news reporters services; translation; sign language interpretation; videotaping; microfilming; ticket agency services [entertainment]; writing of texts; arranging and conducting of concerts; calligraphy services; layout services, other than for advertising purposes; organization of fashion shows for entertainment purposes; coaching [training]; rental of sports grounds; disc jockey services; language interpreter services; personal trainer services [fitness training]; conducting fitness classes; vocational retraining; production of music; toy rental; games equipment rental; services of schools [education]; providing on-line music, not downloadable; providing on-line videos, not downloadable; tutoring; arranging and conducting of in-person educational forums; songwriting; screenplay writing; conducting guided tours.

42 – Chemical analysis; analysis for oil-field exploitation; architectural services; bacteriological research; chemistry services; chemical research; architectural consultancy; construction drafting; technical research; oil-well testing; cosmetic research; design of interior decor; industrial design; packaging design; material testing; conducting technical project studies; geological surveys; oil-field surveys; engi-



neering; meteorological information; land surveying; computer rental; computer programming; physics [research]; mechanical research; textile testing; geological prospecting; geological research; authenticating works of art; calibration [measuring]; computer software design; updating of computer software; consultancy in the design and development of computer hardware; dress designing; graphic arts design; quality control; rental of computer software; research and development of new products for others; styling [industrial design]; underwater exploration; recovery of computer data; maintenance of computer software; computer system analysis; biological research; urban planning; surveying; computer system design; vehicle roadworthiness testing; duplication of computer programs; conversion of data or documents from physical to electronic media; creating and maintaining web sites for others; hosting computer sites [web sites]; installation of computer software; cloud seeding; data conversion of computer programs and data [not physical conversion]; computer software consultancy; rental of web servers; computer virus protection services; consultancy in the field of energy-saving; research in the field of environmental protection; providing search engines for the internet; digitization of documents [scanning]; handwriting analysis [graphology]; provision of scientific information, advice and consultancy in relation to carbon offsetting; quality evaluation of standing timber; quality evaluation of wool; monitoring of computer systems by remote access; water analysis; scientific laboratory services; energy auditing; web site design consultancy; software as a service [SaaS]; information technology [IT] consultancy; scientific research; server hosting; clinical trials; off-site data backup; electronic data storage; providing information on computer technology and programming via a web site; cartography services; cloud computing; outsource service providers in the field of information technology; technological consultancy; computer technology consultancy; telecommunications technology consultancy; weather forecasting; computer security consultancy; technical writing; interior design

44 – Animal breeding; landscape gardening; public bath services for hygiene purposes; Turkish bath services; beauty salon services; medical clinic services; chiropractic; hairdressing; wreath making; convalescent home services; hospital services; health care; horticulture; gardening; farming equipment rental; massage; medical assistance; opticians' services; plant nursery services; physical therapy; physiotherapy; sanatorium services; veterinary assistance; dentistry services; nursing home services; aerial and surface spreading of fertilizers and other agricultural chemicals; animal grooming; blood bank services; flower arranging; hospice services; lawn care; manicuring; midwife services; nursing, medical; pharmacy advice; plastic surgery; tree surgery; ver-

min exterminating for agriculture, horticulture and forestry; weed killing; pet grooming; hair implantation; services of a psychologist; rental of sanitation facilities; aromatherapy services; artificial insemination services; rehabilitation for substance abuse patients; in vitro fertilization services; tattooing; telemedicine services; landscape design; sauna services; solarium services; health spa services; visagists' services; pharmacists' services to make up prescriptions; therapy services; tree planting for carbon offsetting purposes; aquaculture services; medical equipment rental; health center services; health centre services; alternative medicine services; speech therapy services; health counselling; health counseling; depilatory waxing; orthodontic services; medical advice for individuals with disabilities; body piercing; reforestation services; palliative care; rest home services.

45 – Personal body guarding; escorting in society [chaperoning]; chaperoning; detective agency services; dating services; night guard services; opening of security locks; evening dress rental; crematorium services; missing person investigations; burial services; funerary undertaking; clothing rental; guard services; marriage agency services; security consultancy; horoscope casting; fire-fighting; organization of religious meetings; adoption agency services; monitoring of burglar and security alarms; baby sitting; baggage inspection for security purposes; house sitting; pet sitting; personal background investigations; lost property return; mediation; inspection of factories for safety purposes; rental of fire alarms; rental of fire extinguishers; arbitration services; intellectual property consultancy; copyright management; licensing of intellectual property; monitoring intellectual property rights for legal advisory purposes; legal research; litigation services; licensing of computer software [legal services]; registration of domain names [legal services]; alternative dispute resolution services; rental of safes; genealogical research; planning and arranging of wedding ceremonies; online social networking services; releasing doves for special occasions; embalming services; legal document preparation services; tracking of stolen property; legal administration of licences; astrology consultancy; spiritual consultancy; cartomancy services; personal wardrobe styling consultancy; personal letter writing; conducting funeral ceremonies

(260) AM 2019 96804 A

(800) 1391192

(151) 2017 11 30

(891) 2017 11 30

(731) O<sup>B</sup>SHCHESTVO S O<sup>R</sup>GRANICHENNOY OTVETSTVENNOST'YU  
"NAUCHNOVNEDRENCHESKIY TSENTR  
AGROVETZASHCHITA"

Igarskiy proyezd, dom 4, stroyeniye 2,  
RU-129329 Moskva, Russian Federation

(540)

**ALEZAN**

(591) Black, white

(531) 27.05.17

(511)

31 – Animal foodstuffs; strengthening animal forage; animal fattening preparations.

(260) AM 2019 97041 A

(800) 1394580

(151) 2017 06 28

(891) 2017 06 28

(731) AXIS AB

Emdalavägen 14, SE-223 69 LUND, Sweden

(540)



(591) Black, red and yellow

(531) 26.03.01; 26.03.11; 27.05.10; 27.05.17;  
29.01.13

(511)

7 – Electric door openers.

9 – Electrical apparatuses and instruments for input, processing, transferring, storing and output of data; computer processing equipment; hardware, peripherals and processors all for use together with computers, cameras, network video products and printers; camera housings; mounting devices for cameras; casings and covers for cameras; camera lenses; control boards, power accessories, joysticks, illuminators (other than for medical use), cables and connectors, installation displays all for the use together with cameras, network video products, access control apparatus and surveillance installations; electric monitoring apparatus; readers (data processing equipment); electric theft prevention installations; electric locks; printer servers; servers for storage of data; camera servers; video encoders; video decoders; printer controllers, protocol converters, multiplexers; computer interface boards; printed circuit boards; chips (integrated circuit); electronic devices for use in combination with computers or as integrated parts of computers or in computer networks, computer programs and software; apparatus for recording, receiving, transmitting or reproducing sound and images, transmission and reproduction of information and images via global network and/or via other networks; security surveillance apparatus; video surveillance apparatus; cameras, including but not limited to digital cameras, network cameras, web cameras, IP-cameras and thermal cameras; video recorders

and video players; network video recorders; network video products; access control apparatus; access control installations; electric and electronic video surveillance installations; intercom apparatus; intercom installations; video intercom systems; audio intercom systems; video management software; software for video surveillance apparatus, access control apparatus and intercom apparatus; software for web hosting, including but not limited to software for video hosting systems; electronic periodicals and publications (downloadable); marketing material, technical information and presentations on CD/DVD; motion control devices for cameras; optical motion sensing and tracking devices for cameras; none of the aforementioned goods in relation to management information system such as supplier relationship management, business intelligence, logistics, material management, business process reengineering and management; none of the aforementioned goods in relation to automatic data integration or exchange of business-process data; none of the aforementioned goods in relation to music production, musical composition, and/or production, or musical instruments; none of the aforementioned goods in relation to scales; none of the aforementioned goods in relation to accounting and financial information systems and software.

35 – Arranging of business and financial contacts, also via internet; distribution of goods for advertising purposes; promoting the goods and services of others; providing commercial information from an online searchable database, also via the internet; business services, namely, providing business information regarding the purchase and sale of a variety of products and services of others by means of computer databases; retail sales services; arranging of exhibitions for commercial purposes, procurement services for others (purchasing goods and services for other businesses), commercial administration of licensing; distribution services, including wholesale business, regarding cameras, including but not limited to digital cameras, network cameras, web cameras, IP-cameras, thermal cameras, video encoders, video decoders, security surveillance apparatus, access control apparatus, intercom apparatus, computers, computer programs, video management software, peripherals and accessories for cameras and computers (terms considered too vague by the International Bureau – rule 13.2.b) of the Common Regulations); none of the aforementioned services in relation to management information systems such as supplier relationship management, business intelligence, logistics, material management, business process reengineering and management; not to automatic data integration or exchange of business-process data; not to music production, musical composition, and/or production, or musical instruments; not to scales; not to accounting and financial information systems and software.

38 – Telecommunication services; intercommunication services; internet protocol (IP) communication services; communications by computer networks namely transmission of documents and instructions to and from network servers, transmission of requests for images; electric and digital transmission of data, signals and images; computer aided and electronic transmission of images, voice and data; voice over internet protocol (VoIP) services; providing access to computer databases; providing access time to data bases; none of the aforementioned services in relation to management information systems such as supplier relationship management, business intelligence, logistics, material management, business process reengineering and management; not to automatic data integration or exchange of business-process data; not to music production, musical composition, and/or production, or musical instruments; not to scales; not to accounting and financial information systems and software.

41 – Teaching and education; arranging of guidance [education or training advice] or instructions; arranging and conducting of conferences, congresses, seminars, workshops and symposiums; guidance [education or training advice], practical training (demonstration); publication of texts other than publicity texts; providing on-line electronic publications (downloadable) (terms considered too vague by the International Bureau – rule 13.2.b) of the Common Regulations); education academies; certification of education and training awards; publication of books; none of the aforementioned services in relation to management information system such as supplier relationship management, business intelligence, logistics, material management, business process reengineering and management; none of the aforementioned services in relation to management information systems such as supplier relationship management, business intelligence, logistics, material management, business process reengineering and management; not to automatic data integration or exchange of business-process data; not to music production, musical composition, and/or production, or musical instruments; not to scales; not to accounting and financial information systems and software.

42 – Professional consulting activities in the form of professional technical expertise (non business); technical engineering consultancy; computer consulting services regarding program design for microprocessors, updating of computer programs for text, video, images and data processing, consultation for product development; consultancy relating to testing of new products and development of new products; consultation in the field of computer infrastructure, computer hardware, video techniques, camera techniques and image processing, computer software, system integration and recorded computer programs, access control and intercom (terms considered too vague by

the International Bureau – rule 13.2.b) of the Common Regulations); designing computer systems, design and development of products (hardware and software) for others in the field of computers, video techniques, camera techniques, image processing, access control and intercom; designing, development, consultation and research in the field of computer application software of mobile devices and handheld personal computers; technical consultation and research in the fields of computers, software and electronic data, system integration, computer processing and video techniques, camera techniques and image processing, access control apparatus, intercom apparatus, security surveillance and video surveillance; computer programming, computer system analysis; software design; maintenance and support of software, updating software; rental and leasing of computer processing apparatus and computers; hosting computer sites (web sites); maintaining and creating web sites for others; development of electronic surveillance apparatus; designing, development, technical consultation and research concerning electronic surveillance, burglar alarms, security, security alarms, security systems and access control systems for security purposes, intercom; supply of technical know-how; none of the aforementioned services in relation to management information systems such as supplier relationship management, business intelligence, logistics, material management, business process reengineering and management; not to automatic data integration or exchange of business-process data; not to music production, musical composition, and/or production, or musical instruments; not to scales; not to accounting and financial information systems and software.

45 – Services concerning burglar alarms, security and surveillance, security alarms, security systems, surveillance systems, access control and intercom systems (terms considered too vague by the International Bureau – rule 13.2.b) of the Common Regulations); monitoring of burglar and security alarms; security services for the protection of property and individuals by means of electronic surveillance, burglar alarms, security, security alarms, security systems, access control systems and intercom systems; computerized surveillance services relating to break and enter; licensing of software; licensing of know-how; licensing of intellectual property; computerized surveillance services relating to break and enter; rental of security surveillance apparatus; none of the aforementioned services in relation to management information systems such as supplier relationship management, business intelligence, logistics, material management, business process reengineering and management; not to automatic data integration or exchange of business-process data; not to music production, musical composition, and/or production, or musical instruments; not to scales; not to accounting and financial information systems and software.

(260) AM 2019 97114 A

(800) 1395378

(151) 2017 11 30

(891) 2017 11 30

(731) OBSHCHESTVO S ORGRANICHENNOY  
OTVETSTVENNOST'YU "NAUCHNO-  
VNEDRENCHESKIY  
TSENTR AGROVETZASHCHITA"

Igarskiy proyезд, dom 4, stroyeniye 2,  
RU-129329 Moskva, Russian Federation

(540)

**A J E 3 A H**

(591) Black, white

(531) 28.05

(511)

31 – Animal foodstuffs; strengthening animal forage; animal fattening preparations.

(260) AM 2019 97129 A

(800) 1395493

(151) 2017 07 10

(891) 2017 07 10

(731) DUFY BÜYÜK MAĞAZACILIK, ANONİM  
ŞİRKETİ

Emek Mah. Sivata Caddesi No:11, Sancaktepe,  
İstanbul, Turkey

(540)



(591) Black, white

(531) 26.04.24; 27.05.24

(511)

18 – Unworked or semi-worked leather and animal skins, imitations of leather, stout leather, leather used for linings; goods made of leather, imitations of leather or other materials, designed for carrying items, included in this class; bags, wallets, boxes and trunks made of leather or stout leather; keycases, trunks [luggage], suitcases; umbrellas; parasols; sun umbrellas; walking sticks; whips; harness; saddlery; stirrups; straps of leather (saddlery).

24 – Woven or non-woven textile fabrics; textile goods for household use, not included in other classes; curtains, bed covers, sheets (textile), pillowcases, blankets, quilts, towels; flags, pennants, labels of textile; swaddling blankets; sleeping bags for camping.

25 – Clothing, including underwear and outer clothing, other than special purpose protective clothing;

socks, mufflers [clothing], shawls, bandanas, scarves, belts [clothing]; footwear, shoes, slippers, sandals; headgear, hats, caps with visors, berets, caps [headwear], skull caps.

(260) AM 2019 97275 A

(800) 1230520

(151) 2014 06 16

(891) 2018 02 20

(731) MANCHESTER UNITED FOOTBALL  
CLUB, LIMITED

Sir Matt Busby Way, Old Trafford,  
Manchester M16 0RA, United Kingdom

(540)

**MUFC**

(591) Black, white

(511)

25 – Clothing, footwear, headgear; articles of outer clothing; articles of sports clothing; leisurewear; articles of underclothing; lingerie; hosiery; footwear being articles of clothing; boots; shoes; fittings of metal for boots and shoes; underwear; coats; overalls; collar protectors and collars; ear muffs; football boots and shoes; studs for football boots and shoes; shirts; shorts; T-shirts; socks; sweaters; replica football kits; football shirts; football shorts; football socks; caps; hats; scarves; jackets; dressing gowns; pyjamas; sandals; slippers; boxer shorts; beach clothes and shoes; baby boots; bibs; romper suits; baby pants and sleep suits; dungarees; braces; belts; berets; wrist bands; track suits; ties; cravats; aprons; bathrobes; bathing caps and suits; bathing trunks; galoshes; garters; gloves and mittens; headbands; jerseys; jumpers and knitwear; leggings; clothes linings; parkas; shawls; singlets; skirts; uniforms; vests; visors; waistcoats; waterproof clothing.

28 – Games and playthings; toys; gymnastic and sporting articles; decorations for Christmas trees; apparatus for use in sports; balls for sport; playing balls; footballs; miniature footballs; miniature replica football kits; miniature replica football shirts; goal posts; gloves for games; shin guards; knee guards and protective padding for sports; elbow guards for sports; bags adapted for carrying sporting articles; articles for playing golf; golf balls; golf tees; golf ball markers; golf bags; golf club covers; golf gloves; articles for playing darts; darts; articles for playing snooker; snooker tables; pool tables; skis; slides; surfboards; skateboards; snowboards; sleighs; roller skates; in-line skates; fishing tackle; bodybuilding apparatus; exercise apparatus; dice; cups for dice; dominoes; tables for indoor football; skittles; spinning tops; kites; marbles; marionettes and puppets; bathtub toys; inflatable toys; ride-on toys; toy vehicles; mobiles; board games; card games; playing cards; jigsaw puzzles; models in kit form; electronic hand held game units and covers and cases adapted

therefor; rattles; teddy bears; dolls and dolls' clothes; dolls' beds; dolls' houses and rooms; masks; party novelty hats; jokes and novelties; confetti; balloons; Christmas crackers; synthetic Christmas trees and stands; parts and fittings for all of the aforesaid goods.

41 – Education; providing of training; entertainment; sporting and cultural activities; organisation of sporting events; provision of entertainment, training, recreational, sporting and cultural activities and facilities; instruction and educational services; football coaching, football schools and schooling; arranging and conducting of education and training in relation to football; arranging, conducting and provision of football instructional courses; sporting management services for footballers; entertainment services relating to sport; football entertainment services; physical education; fitness training services; provision of practical training and demonstrations; sport and holiday camp services (in the nature of entertainment); rental of sporting equipment; arranging, organising and conducting of conferences, workshops, seminars, conventions, events and exhibitions; arranging, organising and conducting of games, contests and competitions; hospitality services (entertainment); lotteries; gaming services; gambling services; arranging, organising and conducting of award ceremonies; provision of museum facilities; provision of stadium facilities and services; rental of stadium facilities; sports club services; health club services; provision of information relating to football; fan club services in the nature of entertainment; fan club membership scheme services; booking and ticketing services for sports, entertainment, cultural and educational events; box office services; entertainment, training, recreational, and sporting information services provided via the Internet and other computer and communications networks; education and entertainment services provided by means of television, radio, telephony, the Internet and online databases; entertainment and educational services featuring electronic media, multimedia content, audio and video content, movies, pictures, photographs, graphics, images, text and related information provided via the Internet and other computer and communications networks; film production; production of video recordings, sound recordings, DVDs, CDs, CD-ROMs, video and audio tapes; production, presentation and distribution of television and radio programmes; production of sporting events for television and radio; publication of magazines, books, texts and printed matter; publishing by electronic means; providing non-downloadable electronic publications online; provision of television programmes, radio programmes, films, audio and/or visual material and games online (not downloadable); publication of news online; provision of information relating to sport and entertainment; information, advisory and

consultancy services relating to all of the aforesaid services.

(260) AM 2019 97355 A

(800) 963147

(151) 2008 03 27

(891) 2018 03 28

(731) OTKRYTOE AKTSIONERNOE  
OBSCHESTVO, "BORISOVSKIY ZAVOD  
AVTOTRAKTORNOGO, ELEKTROBORU-  
DOVANIYA" -, UPRAVLYAYUSHCHAYA  
KOMPANIYA HOLDINGA, "AVTOKOMPO-  
NENTY"

95, ul. Daumana; 222120 Borisov, Belarus

(540)

**БАТЭ**

(591) Black, white

(531) 28.05

(511)

7 – Dynamos and alternators and spare parts; starters for motors and engines, spare parts; washing machines, motors electric other than for land vehicles; fruit presses electric for household purposes; meat choppers (machines); spray guns for paint.

9 – Low and high voltage transformers; ignition distributors, spare parts; ignition coils; electric apparatus for commutation, spare parts; electric soldering irons, cables, electric connections, wire connector blocks.

(260) AM 2019 97358 A

(800) 1227460

(151) 2014 09 24

(891) 2017 10 25

(731) COTTON CLUB INVESTMENT LLC

1 st Lipovy per., vl. 4, g. Balashiha,  
d. Sobolikhha, RU-143985 Moscow obl.,  
Russian Federation

(540)

**cotton club**

(591) Black, white

(531) 27.05.17

(511)

5 – Aseptic cotton; absorbent cotton; wadding for medical purposes; dressings, medical; surgical dressings; corn remedies; sanitary pads; remedies for perspiration; remedies for foot perspiration; sanitary tampons; vulnery sponges; sanitary panties; anti-septic cotton; diapers [babies' napkins]; air deodorising preparations; sanitary towels; tissues impregnated with pharmaceutical lotions.

(260) AM 2019 97507 A  
 (800) 1398120  
 (151) 2017 12 29  
 (891) 2017 12 29  
 (731) GOGU MARIN  
 Str. Trei Fîntîni nr. 4, MD-4301 Căușeni,  
 Moldova (Republic of)

## BURN

(540)  
 (591) Black, white  
 (511)  
 34 – Tobacco; smokers' articles; matches.

(260) AM 2019 97518 A  
 (800) 1398168  
 (151) 2017 12 27  
 (891) 2017 12 27  
 (731) PEARSON EDUCATION LIMITED  
 80 Strand, London WC2R 0RL, United  
 Kingdom

## IAL

(540)  
 (591) Black, white  
 (511)  
 9 – Computer software, computer programmes; data recorded in electronic, optical or magnetic form; apparatus for the recording, transmission, reception, processing and/or reproduction of sound, images and/or data; electronic publications; CDs, CD-ROMs, DVDs and other media for the recording of or bearing software and/or electronic data; media bearing electronic publications and data; educational, teaching, instruction, research, training, testing, examination or assessment apparatus and instruments; electronic apparatus for teaching, training, testing, examination and assessment purposes; publications in electronic format; on-line electronic publications; downloadable electronic publications; downloadable electronic books; downloadable instructional, teaching, training and educational materials; downloadable educational examination and test materials; downloadable study guides; downloadable instructional manuals for teaching; computer software applications for educational, teaching, research, training, testing, examination and assessment purposes; computer software and computer software platforms for educational, teaching, research, training, testing, examination and assessment purposes; optical data media; magnetic data media; data storage and data memory apparatus; media bearing electronic publications for educational, teaching, research, training, testing, examination and assessment software; compact discs, DVDs and other digital recording media for teaching, training or assessment purposes.

16 – Printed matter; printed publications; examination papers and syllabuses; instructional and teach-

ing materials; paper, books, booklets, documents, certificates, forms, brochures, handbooks, manuals, study guides, stationery, posters; instructional and teaching material (except apparatus); educational publications; educational books; textbooks; printed matter for instructional purposes; printed educational and training materials; teaching manuals; instructional manuals for teaching; printed examinations and answer sheets; printed research reports.

41 – Examination services; educational services; design of educational courses, examinations and qualifications; provision of instructional, training, teaching, testing, and/or assessment services; arranging, organising and conducting colloquiums, conferences, exhibitions, seminars and symposia; publication in both electronic and paper format of instructional, training, teaching, testing, examination and/or assessment materials, including examination papers and syllabuses and materials for the testing of candidates; production and distribution of films, videos and DVDs for educational purposes; information, advisory and consultancy services relating to all the aforesaid services; including all the aforesaid services provided on-line from computer databases and/or intranets and/or extranets and/or the Internet; computer based information services relating to training, teaching, education, instruction, examination, testing and development of others; organisation and provision of courses, examinations, assessment, teaching and training using distance learning methods; career and vocational education and training services; educational and assessment services; educational testing; standardized testing; examinations and qualifications; providing computer-delivered educational testing and assessments; providing educational examinations and tests; educational achievement testing; assessment of educational and vocational ability for use in connection with educational and vocational instruction and placement; educational services in the nature of correspondence courses; distance learning services; computer based educational services; educational information services; educational research; educational advisory and consultancy services; development of educational materials; design of educational courses; publication of texts, books, magazines and other printed matter; publication of educational books; publication of educational materials; publication of educational texts and instructional books; providing on-line [non-downloadable] publications.

(260) AM 2019 97522 A  
 (800) 1398322  
 (151) 2017 12 04  
 (891) 2017 12 04  
 (731) SHCHERBAK ANATOLY YURYEVICH  
 3-rd Vladimirskaia, 18, flat 25, RU-111401  
 Moscow, Russian Federation

(540)

**CARX**

(591) Black, white

(511)

9 – Data storage media, containing movies, animated films; computer programmes [programs], recorded; computer game software; computer programs [downloadable software].

(260) AM 2019 97539 A

(800) 1398874

(151) 2018 02 12

(891) 2018 02 12

(731) SHANDONG HONGSHENG RUBBER TECHNOLOGY CO., LTD.  
EAST OF SHENGLI ROAD, WEST OF XINGGONG ROAD, DAWANG TOWN, GUANGRAO COUNTY, DONGYING CITY, 257336 SHANDONG PROVINCE, China

(540)

**KING BOSS**

(591) Black, white

(531) 27.05.01

(511)

12 – Tires for vehicle wheels; automobile tires; casings for pneumatic tires; spikes for tires; repair outfits for inner tubes; automobile wheels; automobiles; mopeds; trolleys; vehicle chassis.

(260) AM 2019 97599 A

(800) 1399819

(151) 2017 09 18

(891) 2017 09 18

(731) TURKIYE CUMHURİYETİ ZIRAAT BANKASI ANONİM ŞİRKETİ  
Doganbey M. Ataturk Blv. N:8 Ulus, Altindag, Ankara, Turkey

(540)



(591) Red and blue

(531) 05.07.02; 27.03.01; 27.03.11; 29.01.12

(511)

9 – Measurement apparatus, equipment and indicators including those for scientific and laboratory purposes; apparatus for recording, transmission or reproduction of sound or images, including data processing equipment, telecommunications apparatus, apparatus for the reproduction of sound or images, computer peripheral devices; antennas, satellite antennas, amplifiers for antennas, parts of the afore-

mentioned goods; ticket dispensers, automatic teller machines (ATM); electronic components used in the electronic parts of machines and apparatus; counters and quantity indicators for measuring the quantity of consumption, automatic time switches; clothing for protection against accidents, safety vests and life-saving apparatus and equipment, including ear plugs for divers; eyeglasses, sunglasses, optical lenses and cases, containers, parts and components thereof; apparatus and instruments for conducting, transforming, accumulating or controlling electricity, including electric and electronic cable, power sources, batteries, electric accumulators, anode and cathode; alarms and anti-theft alarms, other than for vehicles, electric bells; signalling apparatus and instruments, luminous or mechanical signs for traffic use; fire extinguishing apparatus, fire engines, fire hose and fire hose nozzles; radar apparatus, sonars, night vision apparatus and instruments; magnets, decorative magnets; magnetic and optic data carriers and computer software and programmes recorded thereto; downloadable and recordable electronic publications on magnetic, optical media; encoded magnetic and optic cards.

36 – Insurance services; real estate brokers, real estate agencies and real estate management; customs brokerage services; financial and monetary affairs.

(260) AM 2019 97600 A

(800) 1399832

(151) 2017 09 19

(891) 2017 09 19

(731) MİRPAİN GIDA SANAYİ VE TİCARET ANONİM ŞİRKETİ  
Birlik Sanayi Sitesi, 3.Cadde No:85  
Beylikdüzü, İstanbul, Turkey

(540)



(591) Blue and red

(531) 09.07.19; 27.05.02; 29.01.13

(511)

29 – Meat, fish, poultry and game; meat extracts; beans, preserved, soups, preparations for making bouillon, olives, preserved, milk and milk products, butter, edible oils and fats, preserved, frozen, dried and cooked fruits and vegetables, nuts, prepared, peanut butter, tahini (sesame seed paste), eggs and powdered eggs, potato chips.

30 – Coffee, cocoa, coffee substitutes, coffee or cocoa based beverages, chocolate based beverages, macaroni, ravioli, vermicelli, pastry and bakery products, chocolate desserts, honey, royal jelly, propolis bee glue for human consumption, condiments for



foodstuff, yeasts, baking powder, all kinds of flour, semolina, corn starch, crystal sugar, cubed sugar, powdered sugar, tea, ice tea, confectionery, chocolates, biscuits, crackers, waffles, chewing gums, ice creams, edible ice, salt, products made from cereal, treacle.

35 – Advertising, marketing and publicity services; organization of exhibitions and trade fairs for commercial or advertising purposes; office functions; advisory services for business management; business accounts management; import-export agencies; business efficiency expert services; auction and reverse auction services; the bringing together, for the benefit of others, meat, fish, poultry and game, meat extracts, beans, preserved, soups, preparations for making bouillon, olives, preserved, milk and milk products, butler, edible oils and fats, preserved, frozen, dried and cooked fruits and vegetables, nuts, prepared, peanut butter, tahini (sesame seed paste), eggs and powdered eggs, potato chips, coffee, cocoa, coffee substitutes, coffee or cocoa based beverages, chocolate based beverages, macaroni, ravioli, vermicelli, pastry and bakery products, chocolate desserts, honey, royal jelly, propolis bee glue for human consumption, condiments for foodstuff, yeasts, baking powder, all kinds of flour, semolina, corn starch, crystal sugar, cubed sugar, powdered sugar, tea, ice tea, confectionery, chocolates, biscuits, crackers, waffles, chewing gums, ice creams, edible ice, salt, products made from cereal, treacle (excluding the transport thereof), enabling customers to conveniently view and purchase those goods from wholesale outlets, retail outlets and from a general merchandise catalogue by mail order or by means of telecommunications.

(260) AM 2019 97601 A

(800) 1399845

(151) 2017 11 08

(891) 2017 11 08

(731) ORIFLAME COSMETICS AG

c/o Oriflame Global Management AG,  
Bleicheplatz 3, CH-8200 Schaffhausen,  
Switzerland

(540)

## ORIFLAME ON THE EDGE

(591) Black, white

(511)

3 – Non-medicated conditioning and care preparations for application to the hair, scalp, skin and nails; soaps; perfumes; perfumery; eau de cologne; toilet waters; essential and herbal oils; cosmetics; make-up preparations; lipsticks; nail varnishes; nail varnish removers; non-medicated toilet preparations; hair lotions; hair sprays and hair gels; preparations for use in the bath or shower; bath and shower oils, gels, creams and foams; face and body masks; face and body scrubs; facial washes; skin cleansers and hyd-

rators; skin toners; skin moisturizers, blemish creams and blemish gels; deodorants; antiperspirants; preparations for use before shaving and after shaving; shaving soaps; shaving creams; shaving gels; after-shave preparations; pre-shave preparations; talcum powders; toiletries; dentifrices; toothpastes.

(260) AM 2019 97602 A

(800) 1399880

(151) 2017 12 11

(891) 2017 12 11

(731) ASSA ABLOY Branding S.à r.l.

11-13, Bld de la Foire, L-1528 Luxembourg,  
Luxembourg

(540)

## ASSA ABLOY

(591) Black, white

(511)

7 – Electric, pneumatic and hydraulic door openers and closers; electric motors for doors, gates, barriers and windows; mechanical, electric, pneumatic and hydraulic drives and controls for doors and gates; electromechanical and electro-hydraulic door operators; loading devices and equipment; mobile and fixed loading platforms and ramps, in particular loading ramps; key cutting machines; electric, pneumatic and hydraulic levelers for loading docks; elevating loading dock platforms and lift tables; electric and hydraulic lifting restraints for vehicles, including restraints for securing vehicles to a loading dock; machine coupling and transmission components (except for land vehicles); electromechanical drive devices for opening and closing doors, gates, barriers and windows; parts and components of the aforementioned goods.

19 – Doors, windows, barriers and gates, including security doors, industrial doors, garage doors, insulating doors, fire doors; door panels; openable wall boards, door leaves, door frames and door panels; linings for building and rails; door frames and protective door frames, not of metal; roller doors and roller shutters; turnstiles; non-metallic loading dock shelters and seals; windbreaks panels or fences; glass walls; parts and components of the aforementioned goods; all the aforementioned goods consisting mostly of non-metal.

20 – Doors for furniture; door handles, locks, latches, keys, key blanks, bolts, chains and non-electric locks, all of non-metallic material; non-metallic fittings for doors, drawers and windows; furniture locks; security closures, security chests, security cabinets; non-metal wheel chocks; parts and fittings for all the aforesaid goods.

37 – Installation, maintenance and repair of locks and locking mechanisms; installation, maintenance and repair of doors, gates, loading superstructures,



loading platforms, window fittings and related control and operating systems; installation, maintenance and repair of access control, entrance and security apparatus, systems and installations and related products and devices.

42 – Design and development of computers, computer systems, computer software, technology solutions, mobile and web applications in the field of access control and security, including secure identity solutions; design and development of apparatus and instruments in the field of access control and security; consultancy and information regarding the aforesaid services; architectural and engineering services relating to doors, barriers, gates, loading dock superstructures and related parts and components; consultancy services relating to the design of doors, barriers, gates, loading superstructures and associated parts and components; consultancy services regarding energy efficiency in buildings.

(260) AM 2019 97603 A

(800) 1399897

(151) 2017 11 30

(891) 2017 11 30

(731) MARAZZI GROUP S.r.l.

Viale Regina Pacis, 39, I-41049 SASSUOLO (MO), Italy

(540)



(591) Black, white

(531) 26.04.02; 26.04.05; 26.04.08; 26.04.09; 26.04.12; 26.11.07; 26.11.08; 26.11.09; 27.01.06

(511)

19 – Building materials, not of metal to the exclusion of windows, roller shutters, jalousies and related equipment; coverings and claddings for floors and walls; ceramic tiles.

(260) AM 2019 97604 A

(800) 1399918

(151) 2018 01 10

(891) 2018 01 10

(731) BAYMAK MAKİNA SANAYİ VE

TİCARET ANONİM ŞİRKETİ

Orhanlı Tepeören Mevkii, Akdeniz Cad. Orta Mah., Tuzla, TR-34880 İstanbul, Turkey

(540)



(591) Blue, white

(531) 03.05.03; 27.05.08; 29.01.12

(511)

11 – Apparatus for lighting, heating, steam generating, cooking, refrigerating, drying, ventilating, water supply and sanitary purposes, installations for air-conditioning and ventilating.

35 – The bringing together, for the benefit of others, of a variety of goods, namely, apparatus for lighting, heating, steam generating, cooking, refrigerating, drying, ventilating, water supply and sanitary purposes, installations for air-conditioning and ventilating, scientific, nautical, surveying, photographic, cinematographic, optical, weighing, measuring, signaling, checking (supervision), life-saving and teaching apparatus and instruments, apparatus and instruments for conducting, switching, transforming, accumulating, regulating or controlling electricity, apparatus for recording, transmission or reproduction of sound or images, magnetic data carriers, recording discs, automatic vending machines and mechanisms for coin-operated apparatus, cash registers, calculating machines, data processing equipment and computers, fire-extinguishing apparatus, enabling customers to conveniently view and purchase those goods, such services may be provided by retail stores, wholesales outlets, by means of electronic media or through mail order catalogues.

(260) AM 2019 97605 A

(800) 1399919

(151) 2018 01 10

(891) 2018 01 10

(731) ZHONGSHAN BAobaoHAO CHILDREN

PRODUCTS COMPANY LIMITED

No. 45, North Chang'An Road, XinMao

Village, Henglan Town, Zhongshan City,

528478 Guangdong Province, China

(540)



(591) Black, white

(531) 27.05.01; 28.03

(511)  
12 – Push scooters [vehicles]; trolleys; hand cars; pushchairs; pushchair covers; pushchair hoods; baby carriages; sack-barrows; casters for trolleys [vehicles] [carts (Am.)].

(260) AM 2019 97607 A

(800) 1399985

(151) 2018 01 31

(891) 2018 01 31

(731) PASTIFICIO FABIANELLI S.p.A.

Via Sant'Antonino, 107, I-52043 Castiglion  
Fiorentino (AR), Italy

(540)



(591) Black, white

(531) 05.07.02; 26.01.03; 26.01.15; 26.01.20;  
26.01.22

(511)

30 – Pasta manufactured in Tuscany.

(260) AM 2019 97608 A

(800) 1399994

(151) 2018 01 09

(891) 2018 01 09

(731) SOCIETE DE RECHERCHE COSMETIQUE  
SARL

4, place de Paris, Luxembourg, L-2314,  
Luxembourg

(540)

## RESULTIME

(591) Black, white

(511)

3 – Cosmetics; perfumes; eaux de toilette; eau de cologne; body deodorants (perfumery); essential oils; soaps; cleansing milk for toilet purposes; cosmetic creams, gels, milks, lotions, masks, pomades, powders and preparations for skin care; cosmetic anti-wrinkle products; cosmetic lip-care products; cosmetic sunscreen products; cosmetic skin-tanning preparations; cosmetic after-sun products; cosmetic preparations for slimming; depilatory products; hair care preparations; cosmetic preparations for scalp care; cosmetic preparations for the bath and shower; make-up and make-up removing products; shaving preparations and after-shave preparations; wipes and tissues impregnated with cosmetic lotions.

5 – Pharmaceutical and veterinary products; sanitary products for medical purposes; dietetic food and substances for medical or veterinary use; food for

babies; food supplements for humans and animals; plasters; materials for dressings; material for dental fillings and dental impressions; disinfectants; products for destroying vermin; fungicides; herbicides; medicated baths; creams, gels, milks, lotions, serums and pomades for medical use; dermatological and pharmaceutical products; sunscreen products for medical use; dietetic substances for medical use; herbal dietetic preparations for medical use; medicinal herbs; herbal teas for medicinal purposes; nutritional supplements and dietetic products in solid or liquid form for medical use, including those for special nutritional use, for slimming diets, for hydrating the body, for treating and preventing the effects of aging on the skin and hair; nutritional supplements and dietetic products in solid or liquid form, for medical use, or for a special diet, intended for skin and hair treatment against sunburn or the effects of bad weather, for the prevention and treatment of hair loss, treatment of the skin and metabolism against the effects of stress or fatigue.

35 – Advertising; advertising promotion of third-party goods and services, also by means of sponsorship agreements or the use of licensees, relating to national or international sports events; advertising promotion in the fields of arts and sports; advertising and commercial sponsorship (advertising); presentation of goods on all communication media, for retail sale; product demonstrations (advertising); wholesale, semi-wholesale and retail services for cosmetics, beauty products, body care products, cosmetic bags, food supplements, perfumery products, electrical apparatus for face and body skin care, electrical apparatus for slimming purposes, brushes, brushes and sponges for applying or removing make-up; wholesale, semi-wholesale and retail services for clothing, jewelry, articles of jewelry, bags, watches, clocks, candles, household linen and detoxifying beverages; retail store services for cosmetics, beauty products, body care products, cosmetic bags, food supplements, perfumery products, electrical apparatus for face and body skin care, electrical apparatus for slimming purposes, brushes, brushes and sponges for applying or removing make-up; retail store services for clothing, jewelry, jewelry articles, bags, watches, timepieces, candles, household linen and detoxifying beverages; on-line retail store services for cosmetics, beauty products, body care products, cosmetics bags, food supplements, perfumery products, electrical apparatus for face and body skin care, electrical apparatus for slimming purposes, brushes, brushes and sponges for applying or removing make-up; on-line retail store services for clothing, jewelry, articles of jewelry, bags, watches, clocks, candles, household linen and detoxifying beverages; auctions; organization of exhibitions for commercial or advertising purposes; commercial information via the Internet, a cable network or other forms of data transfer; administrative management relating to cus-

tomers loyalty, as well as bonus schemes and promotions; bonus, incentive and loyalty scheme services (advertising); advertising and administrative services relating to the organization, operation, management and supervision of customer loyalty and incentive schemes; shop window dressing; business management services with respect to the operation of commercial companies under a franchise scheme; business consulting services relating to the operation of franchises.

44 – Hygienic and beauty care for human beings or animals; massage services; hairdressing salons; beauty salons; sauna services; provision of spa facilities; balneotherapy, physiotherapy and aromatherapy services; Turkish bath services; advisory services relating to beauty and make-up.

(260) AM 2019 97618 A

(800) 206412

(151) 1958 01 13

(891) 2018 03 28

(731) FILIGRAN TRÄGERSYSTEME GMBH & CO. KG

Zappenberg 6, 31633 Leese/Weser, Germany

(540)

**FILIGRAN**

(591) Black, white

(531) 27.05.17

(511)

6 – Welded lattice girders made of steel for use as rafters for house roofs and industrial roofs and for use as floor beams.

(260) AM 2019 97619 A

(800) 1104934

(151) 2011 04 20

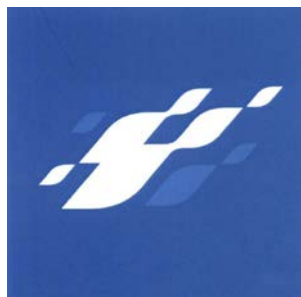
(891) 2017 11 09

(731) PUBLIC JOINT STOCK COMPANY GAZPROM NEFT

Galernaya ul., 5, lit. A, RU-190000

St-Petersburg, Russian Federation

(540)



(591) Blue, navy, white

(531) 26.13.25; 29.01.12

(511)

1 – Auxiliary fluids for use with abrasives; synthetic materials for absorbing oil; vulcanisation accelera-

tors; acidulated water for recharging accumulators; aluminium acetate; acetate of cellulose, unprocessed; acetates [chemicals]; acetic anhydride; bacteriological preparations for acetification; acetone; acetylene; acetylene tetrachloride; acid proof chemical compositions; acids; acidulated water for recharging batteries; acrylic resins, unprocessed; actinium; activated carbons; chemical additives for oils; additives, chemical, to drilling muds; additives, chemical, to fungicides; additives, chemical, to insecticides; additives, chemical, to motor fuel; detergent additives to gasoline [petrol]; adhesive preparations for surgical bandages; adhesives for billposting; adhesives for industrial purposes; adhesives for paperhanging; adhesives for wall tiles; gas propellents for aerosols; agar-agar; agglutinants for concrete; agricultural chemicals, except fungicides, weedkillers, herbicides, insecticides and parasiticides; manure for agriculture; albumen [animal or vegetable, raw material]; iodised albumen; malt albumen; albuminized paper; alcohol; ethyl alcohol; aldehydes; algarovilla [tanning material]; alginates [gelling and inflating preparations] other than for alimentary purposes; volatile alkali [ammonia] for industrial purposes; alkalies; alkaline iodides for industrial purposes; alkaline metals; salts of alkaline metals; alkaline-earth metals; alkaloids; chemical preparations for facilitating the alloying of metals; alum; alumina; aluminium alum; aluminium chloride; aluminium hydrate; aluminium iodide; aluminium silicate; americium; ammonia; ammonia alum; ammonia [volatile alkali] for industrial purposes; ammoniacal salts; ammonium aldehyde; ammonium salts; amyl acetate; amyl alcohol; chemical preparations for analyses in laboratories, other than for medical or veterinary purposes; anhydrides; anhydrous ammonia; animal albumen [raw material]; animal carbon; animal carbon preparations; animal charcoal; anti-boil preparations for engine coolants; antifreeze; anti-frothing solutions for accumulators; anti-frothing solutions for batteries; anti-incrustants; anti-knock substances for internal combustion engines; antimony; antimony oxide; antimony sulphide; anti-sprouting preparations for vegetables; antistatic preparations, other than for household purposes; anti-tarnishing chemicals for windows; antranilic acid; argon; lead arsenate; arsenic; arsenious acid; artificial resins, unprocessed; artificial sweeteners [chemical preparations]; soda ash; astatine; atomic piles; fuel for atomic piles; automobile body fillers; bacterial preparations other than for medical and veterinary use; oenological bactericides [chemical preparations used in wine making]; bacteriological preparations other than for medical and veterinary use; balm of gurjun [gurjon, gurjan] for making varnish; barium compounds; barium sulphate; baryta paper; barytes; bases [chemical preparations]; basic gallate of bismuth; bate for dressing skins; fixing baths [photography]; baths for galvanizing; toning baths [photography]; liquids for

removing sulphates from batteries; salts for galvanic batteries; bauxite; beer preserving agents; beer-clarifying and preserving agents; bentonite; benzene derivatives; methyl benzene; benzene-based acids; benzoic acid; benzoic sulphinide; methyl benzol; berkelium; bicarbonate of soda for chemical purposes; bichloride of tin; bichromate of potassium; bichromate of soda; foundry binding substances; biochemical catalysts; biological preparations, other than for medical or veterinary purposes; birdlime; bismuth nitrite for chemical purposes; lamp black for industrial purposes; fat-bleaching chemicals; oil-bleaching chemicals; organic-bleaching chemicals; wax-bleaching chemicals; bleaching preparations [decolorants] for industrial purposes; blood charcoal; blueprint cloth; blueprint paper; bone charcoal; cement for boots; borax; boric acid for industrial purposes; brake fluid; brazing fluxes; brazing preparations; brickwork preservatives, except paints and oils; brightening chemicals color-[colour-] brightening chemicals for industrial purposes; bromine for chemical purposes; by-products of the processing of cereals for Industrial purposes; caesium; calcined soda; calcium carbide; calcium cyanamide [fertilizer]; calcium salts; californium; camphor, for industrial purposes; car body fillers; carbide; carbolineum for the protection of plants; carbon; carbon black for industrial purposes; carbon for filters; carbon sulphide; carbon tetrachloride; carbonates; carbonic acid; carbonic hydrates; casein for industrial purposes; cassiopium [lutetium]; catalysts; catechu; caustic alkali; caustic soda for industrial purposes; caustics for industrial purposes; cellulose; unprocessed cellulose; cellulose derivatives [chemicals]; cellulose esters for Industrial purposes; cellulose ethers for industrial purposes; cement for boots and shoes; cement for mending broken articles; cement for pneumatic tires [tyres]; cement [metallurgy]; oil cement [putty]; cement preservatives, except paints and oils; cement-waterproofing preparations, except paints; chemicals for forestry, except fungicides, herbicides, insecticides and parasiticides; industrial chemicals; chimney cleaners, chemical; China slip; chlorates; chlorides; chlorine; cholic acid; chromates; chrome alum; chrome salts; chromic acid; chromic salts; chromium oxide; cinematographic film, sensitized but not exposed; citric acid for industrial purposes; clarification preparations; China clay; expanded-clay for hydroponic plant growing [substrate]; chemical chimney cleaners; coal saving preparations; cobalt oxide for industrial purposes; collodion; color-brightening chemicals for industrial purposes; salts for coloring metal; colour-brightening chemicals for industrial purposes; salts for colouring metal; combusting preparations [chemical additives to motor fuel]; compositions for the manufacture of phonograph records; compost; concrete preservatives, except paints and oils; concrete-aeration chemicals; chemical condensation preparations; condensation-preventing chemi-

cal; preparations for stimulating cooking for Industrial purposes; coolants for vehicle engines; copper sulphate [vitriol]; corrosive preparations; cream of tartar, other than for pharmaceutical purposes; creosote for chemical purposes; crotonic aldehyde; cryogenic preparations; cultures of microorganisms other than for medical and veterinary use; curium; currying preparations for leather; currying preparations for skins; cyanides [prussiates]; solutions for cyanotyping; cymene; damp proofing preparations, except paints, for masonry; chemical preparations for decarbonising engines; decolorants for industrial purposes; defoliants; degreasing preparations for use in manufacturing processes; degumming preparations; dehydrating preparations for industrial purposes; detergent additives to petrol [gasoline]; detergents for use in manufacturing processes; photographic developers; dextrine size; diagnostic preparations, other than for medical or veterinary purposes; diastase for industrial purposes; diatomaceous earth; diazo paper; potassium dioxalate; dioxide of hydrogen; titanium dioxide for industrial purposes; disincrustants; oil dispersants; petroleum dispersants; dispersions of plastics; distilled water; dolomite for Industrial purposes; dressing and finishing preparations for textiles; leather-dressing chemicals; dressing, except oils, for skins; drilling muds; chemical additives to drilling muds; dry ice [carbon dioxide]; dysprosium; earth for growing; metal earths; rare earths; electrophoresis gels, other than for medical or veterinary purposes; emollients for industrial purposes; emulsifiers; photographic emulsions; chemical preparations, except pigments, for the manufacture of enamel; opacifiers for enamel; enamel-staining chemicals; engine-decarbonising chemicals; enzyme preparations for industrial purposes; enzymes for industrial purposes; epoxy resins, unprocessed; erbium; esters; ethane; ethers; ethyl ether; europium; ion exchangers [chemicals]; fire extinguishing compositions; stain-preventing chemicals for use on fabrics; fatty acids; chemicals used in fermenting wine; ferments for chemical purposes; milk ferments for chemical purposes; fermium; ferrocyanides; ferrotype plates [photography]; fertilizers; fertilizing preparations; fillers for automobile bodies; fillers for car bodies; tree cavity fillers [forestry]; sensitized films, unexposed; filtering materials [chemical preparations]; filtering materials [mineral substances]; filtering materials [unprocessed plastics]; filtering materials [vegetable substances]; ceramic materials in particulate form, for use as filtering media; filtering preparations for the beverages industry; must-fining preparation; wine finings; finishing preparations for use in the manufacture of steel; fireproofing preparations; fissionable chemical elements; fissionable material for nuclear energy; fixing solutions [photography]; flashlight preparations; flocculants; flour for industrial purposes; flower preservatives; flowers of sulphur for chemical purposes; power steering

fluid; transmission fluid; brake fluids; fluids for hydraulic circuits; fluorine; fluorspar compounds; soldering fluxes; chemical substances for preserving foodstuffs; formic acid; formic aldehyde for chemical purposes; foundry molding [moulding] preparations; foundry sand; francium; glass frosting chemicals; hormones for hastening the ripening of fruit; fuel-saving preparations; fuller's earth for use in textile industry; fulling preparations; fulling preparations for use in textile industry; chemical additives to fungicides; gadolinium; gallic acid for the manufacture of ink; gallium; gallnuts; gallotannic acid; galvanizing baths; galvanizing preparations; gambier; gas purifying preparations; protective gases for welding; solidified gases for industrial purposes; detergent additives to gasoline; gelatine for industrial purposes; gelatine for photographic purposes; getters [chemically active substances]; opacifiers for glass; preparations for preventing the tarnishing of glass; water glass [soluble glass]; glass-frosting chemicals; glass-staining chemicals; glaziers' putty; ceramic glazings; glucose for industrial purposes; glucosides; glue for industrial purposes; gluten [glue], other than for stationery or household purposes; glutinous tree-banding preparations; glutinous tree-grafting preparations; glycerides; glycerine for industrial purposes; glycol; glycol ether; gold salts; grafting mastic for trees; grafting wax for trees; graphite for industrial purposes; grease-removing preparations for use in manufacturing processes; preparations for the separation of greases; plant growth regulating preparations; guano; gum arabic for industrial purposes; gum solvents; tragacanth gum for use in manufactures; gums [adhesives], other than for stationery or household purposes; metal hardening preparations; limestone hardening substances; heavy water; helium; holmium; horticulture chemicals, except fungicides, herbicides, insecticides and parasiticides; humus; humus top dressing; hydrates; liquids for hydraulic circuits; hydrazine; hydrochlorates; hydrochloric acid; hydrofluoric acid; hydrogen; hydrogen peroxide; hypochlorite of soda; hyposulphites; leather-impregnating chemicals; textile-impregnating chemicals; compositions for repairing inner tubes of tires [tyres]; chemical additives to insecticides; iodic acid; iodine for chemical purposes; iodine for industrial purposes; iodised salts; ion exchangers [chemical preparations]; iron salts; isinglass other than for stationery, household or alimentary purposes; isotopes for industrial purposes; kainite; kaolin; ketones; kieselgur; krypton; lactic acid; lanthanum; lead acetate; lead oxide; leather glues; mastic for leather; leather-renovating chemicals; leather-waterproofing chemicals; lecithin [raw material]; preparations for preventing the tarnishing of lenses; lime acetate; lime carbonate; lime chloride; nitrogenous lime [manure]; liquids for removing sulphates from accumulators; starch-liquifying chemicals [ungluing agents]; lithia [lithium oxide]; lithium; litmus paper; loam;

lutetium [cassiopium]; magnesite; magnesium carbonate; magnesium chloride; magnetic fluid for Industrial purposes; manganate; manganese dioxide; mangrove bark for industrial purposes; masonry preservatives, except paints and oils; mastic for tires [tyres]; chemical preparations for smoking meat; meat tenderizers for industrial purposes; mercuric oxide; mercury; mercury salts; metal annealing preparations; metal tempering preparations; metalloids; methane; methyl ether; preparations of microorganisms other than for medical and veterinary use; chemical preparations to prevent mildew; mineral acids; moderating materials for nuclear reactors; moistening [wetting] preparations for use in bleaching; moistening [wetting] preparations for use in dyeing; moistening [wetting] preparations for use in the textile industry; foundry molding preparations; mold-release preparations; mordants for metals; chemical additives to motor fuel; foundry moulding preparations; mould-release preparations; must-fining preparations; naphthalene; neodymium; neon; neptunium; toxic gas neutralizers; nitrate of uranium; nitrate paper; nitrates; nitric acid; nitric monoxide; nitrogen; nitrogenous fertilisers; nitrous oxide; gall nuts; oil-purifying chemicals; oils for currying leather; oils for preparing leather in the course of manufacture; oils for tanning leather; oils for the preservation of food; oil-separating chemicals; oleic acid; olive [chemical preparations]; opacifiers for enamel or glass; oxalates; oxalic acid; oxygen; chemical preparations for the manufacture of paints; palladium chlorides; paper pulp; diazo papers; peat [fertiliser]; peat pots for horticulture; pectin [photography]; perborate of soda; percarbonates; perchlorates; persulphates; persulphuric acid; phenol for industrial purposes; renovating preparations for phonograph records; phosphates [fertilisers]; phosphatides; phosphoric acid; phosphorus; photographic paper; photographic sensitizers; chemical preparations for use in photography; reducing agents for use in photography; photometric paper; photosensitive plates; picric acid; chemical preparations for the manufacture of pigments; plasticizers; plastics, unprocessed; plastisols; sensitized plates for offset printing; sensitized photographic plates; plutonium; polish removing substances; polonium; potash; potash water; potassium; potato flour for industrial purposes; potting soil; praseodymium; salts of precious metals for industrial purposes; preservatives for pharmaceutical preparations; preservatives for tiles, except paints and oils; salt for preserving, other than for foodstuffs; sensitized printing plates for offset; promethium; protactinium; protein [raw material]; prussiates; wood pulp; preparations for the purification of gas; purification preparations; water-purifying chemicals; pyrogallic acid; pyroligneous acid [wood vinegar]; quebracho for industrial purposes; radiator flushing chemicals; radioactive elements for scientific purposes; radium for scientific purposes; radon;

salts from rare earth metals; reagent paper; chemical reagents other than for medical or veterinary purposes; refrigerants; refrigerating preparations; substances for removing polish; compositions for repairing tires; synthetic resins, unprocessed; rhenium; rock salt; roentgen films, sensitized but not exposed; rubber preservatives; rubidium; substances for preventing runs in stockings; saccharin; sal ammoniac; sal ammoniac spirits; salicylic acid; salpêtre; salt, raw; saltpeter; salts [chemical preparations]; salts [fertilisers]; salts for coloring [colouring] metal; salts for galvanic cells; salts for industrial purposes; samarium; sauce for preparing tobacco; scale removing preparations, other than for household purposes; scandium; sea water for industrial purposes; seaweeds [fertilizers]; sebacic acid; seed preserving substances; selenium; self-toning paper [photography]; sensitized cloth for photography; sensitized paper; separating and unsticking [ungluing] preparations; cement for shoes; silicates; silicon; silicones; silver nitrate; silver salt solutions for silvering; ceramic compositions for sintering [granules and powders]; size for finishing and priming; sizing preparations; slag [fertilisers]; soap [metallic] for industrial purposes; sodium; sodium salts [chemical preparations]; water softening preparations; soil conditioning preparations; soldering chemicals; solvents for varnishes; soot for industrial or agricultural purposes; sorrel salt; spinel [chemical preparations]; spirits of salt; spirits of vinegar [dilute acetic acid]; enamel and glass-staining-chemicals; starch for industrial purposes; starch paste [adhesive], other than for stationery or household purposes; starch size [chemical preparations]; stearic acid; strontium; substrates for soil-free growing [agriculture]; sulphates; sulphides; sulphonic acids; sulphur; sulphuric acid; sulphuric ether; sulphurous acid; sumac for use in tanning; superphosphates [fertilisers]; surface-active chemical agents; talc [magnesium silicate]; tan; tannic acid; tannin; tanning substances; tan-wood; tapioca flour for industrial purposes; tartar other than for pharmaceutical purposes; tartaric acid; technetium; tellurium; tensio-active agents; terbium; test paper, chemical; tetrachlorides; textile-brightening chemicals; textile-waterproofing chemicals; thallium; thiocarbanilide; thorium; compositions for threading; thulium; tire repairing compositions; mastic for tires; titanite; toluene; toluol; toning salts [photography]; preparations of trace elements for plants; glutinous preparations for tree-banding; glutinous preparations for tree-grafting; tungstic acid; tyre repairing compositions; mastic for tyres; ungluing agents [chemical preparations for liquifying starch]; ungluing preparations; unsticking and separating preparations; uranium; uranium oxide; vine disease preventing chemicals; wood vinegar [pyroligneous acid]; vinic alcohol; viscose; vitriol; vulcanising preparations; adhesives for wallpaper; wallpaper removing preparations; water purifying chemicals; cement-waterpro-

ofing chemicals, except paints; water-softening preparations; welding chemicals; wetting preparations for use in bleaching; wetting preparations for use in dyeing; wetting preparations for use in the textile industry; chemical preparations for protection against wheat blight [smut]; chemical preparations to prevent wheat smut; witherite; wood alcohol; preparations of the distillation of wood alcohol; tan wood; xenon; x-ray films, sensitized but not exposed; ytterbium; yttrium; zirconia.

4 – Additives, non-chemical, to motor-fuel; alcohol [fuel]; anthracite; grease for arms [weapons]; beeswax; belting wax; grease for belts; non-slipping preparations for belts; benzene; benzine; benzol; bone oil for industrial purposes; grease for boots; combustible briquettes; wood briquettes; candles; perfumed candles; carburants; carnauba wax; castor oil for technical purposes; ceresine; charcoal [fuel]; christmas tree candles; coal; coal briquettes; coal dust [fuel]; coal naphtha; coal tar oil; coke; combustible oil; cutting fluids; diesel oil; dust binding compositions for sweeping; dust laying compositions; dust removing preparations; electrical energy; petroleum ether; firelighters; firewood; fish oil, not edible; fuel; fuel gas; vaporized fuel mixtures; fuel oil; fuel with an alcoholic base; gas for lighting; gas oil; producer gas; solidified gas [fuel]; gasoline; lubricating graphite; grease for leather; grease for shoes; illuminating grease; illuminating wax; Industrial grease; industrial oil; industrial wax; kerosene; lamp wicks; lanolin; preservatives for leather [oils and greases]; lighting fuel; paper spills for lighting; wood spills for lighting; lignite; ligroin; lubricants; lubricating grease; lubricating oil; mazut; methylated spirit; mineral fuel; moistening oil; motor fuel; motor oil; naphtha; nightlights [candles]; oil for the preservation of leather; oil for the preservation of masonry; oil-gas; oils for paints; oils for releasing form work [building]; oleine; ozocerite [ozokerite]; paraffin; blocks of peat [fuel]; peat briquettes [fuel]; peat [fuel]; petrol; petroleum jelly for industrial purposes; petroleum, raw or refined; rape oil for industrial purposes; solidified gases [fuel]; soya bean oil preparations for non-stick treatment of cooking utensils; stearine; sunflower oil for industrial purposes; tallow; tapers; textile oil; wax [raw material]; wicks for candles; wool grease; xylene; xylol.

(260) AM 2019 97621 A

(800) 1186494

(151) 2013 10 29

(891) 2018 03 20

(731) O'NEAL Europe GmbH & Co. KG

Erich-Blum-Str. 33, 71665 Vaihingen/Enz,  
Germany

(540)

**O'NEAL**

(591) Black, white

(511)

9 – Protective clothing for motorcyclists and cyclists, namely, helmets, protective eyewear, chest protectors.

25 – Kidney belts and elbow protectors for motorcyclists and cyclists.

(260) AM 2019 97626 A

(800) 1400365

(151) 2017 07 06

(891) 2017 07 06

(731) XIAOMI SINGAPORE PTE. LTD.

12 Marina View; #23-01 Asia Square

Tower 2, Singapore 018961, Singapore

(540)

mijia+米家

(591) Black, white

(531) 24.13.01; 24.17.05; 24.17.07; 28.03

(511)

7 – Agitator; mixers; mixing machine; dish washing machines; household non manual grinding machine; electric blender; kitchen electric machines; household electric fruit presses; domestic soya bean milk machine; washing machines; washer-dryers; ironing machines; robot (mechanical); knife (machine part); electric knife; mill; cleaning equipment; electric cleaning machinery and equipment; carpet cleaning machines and devices (electric); dust exhausting installations for cleaning purposes; vacuum cleaner bags; cooling air filters, parts of engines; filters for cleaning cooling air, for engines; filter (machine or engine parts); filters being parts of engines; central vacuum cleaning device, vacuum cleaners; sweeping robot.

9 – Computer storage devices; computer; computer programmes [programs], recorded; computer keyboard; recorded computer operating programs; computer peripheral equipment; computer software; computer software (recorded); monitor (computer hardware); monitoring program (computer program); mouse (data processing equipment); optical data media; optical disks; central processor (CPU); scanner (data processing equipment); cards encoded with security features for identification purposes; notebook computer; electronic publications (downloadable); computer program (downloadable software); computer game software; mobile phone ringtone, downloadable; downloadable music files; image files can be downloaded; USB flash drive; portable computer; counters; time recording device; timer (time recording device); detectors; copier (photographic, electrostatic, thermal); fax machine; scale; mea-

suring tools; gauges; electronic bulletin board apparatus; handset; navigation instruments; complete radio telegraph; radio equipment; telephone; video phone; satellite navigation equipment; telephone sets for hands-free tools; global positioning system (GPS) equipment; smartphones; telephone sets; tape recorders; audio amplifiers; video receiver; headset; loudspeakers; sound transmitting apparatus; recording devices; speaker; camera; portable media player; downloadable videos; video camera; camera (photography); slide projectors; measuring instruments; pressure gauges; dynamometer; optical apparatus and instruments; stereoscope; video monitor; remote control; telephone lines; electric wires; silicon wafer; semiconductor; sensor; electric control device; electronic anti-theft devices; burglar alarm; optical glasses; glasses; sunglasses; battery; battery chargers; vehicle battery; animated cartoons; cell switches [electricity]; light regulator (electric); plugs, sockets and other contacts (electrical connections); temperature indicator; sensor (electric); velocity meter; pressure measurement apparatus; vehicle driving and control simulator; detecting instrument.

11 – Lamps; lighting equipment and devices; circular lampshade; flashlight; safety lamps; air vehicle lighting equipment; lighting apparatus and installations for vehicles; lamp lighting device for vehicles; automotive lamps; electric cookers; cooking equipment; electric pressure cooker; electric kettle; water heater; freezers; refrigerators; refrigeration equipment and devices; refrigerating cabinets; pocket flashlight; toasters; air purification equipment and machines; air conditioning equipment; air filtration equipment; air cooling device; air purifying apparatus and machines; air dryer; fans [air-conditioning]; electric dryer; drying equipment; electric heater; drinking water filter; gas purification equipment; air or water treatment with ionizing device; sewage purification equipment; water purification device; air disinfectant; fabric steamers; exhaust fan; humidifiers; electric heating device; water heater (device); automatic watering device for bath; bathroom fixtures; bath equipment; portable heater; lighters; hair dryer; drying apparatus and equipment, electric rice cooker; desk lamp; electric fan.

12 – Vehicles; electric vehicle; car; bicycles; wheels for bicycles, cycles; pushchairs; vehicle tire; repair outfits for inner tubes; air vehicles; water vehicle; child safety seat (vehicles); pumps for bicycle tyres; motor vehicles; aircraft; remotely operated vehicle (non-toy); spacecraft; vehicles for locomotion by land, air, water or rail; vehicle anti-theft alarm; bicycle tires; aircraft tires; scooters.

(260) AM 2019 97631 A

(800) 1400423

(151) 2018 02 02



(891) 2018 02 02

(731) ADP GAUSELMANN GMBH

Merkur-Allee 1-15, 32339 Espelkamp,  
Germany

(540)

## Big Butch

(591) Black, white

(511)

9 – Computer software; coin-operated mechanisms; computer and video games software; games software in particular for use on any computer platform, including electronic entertainment and games consoles; computer game programs; video games (software); computer games provided through a global computer network or supplied by means of multi-media electronic broadcast or through telecommunications or electronic transmission or via the internet; computer games, leisure and recreational software, video games and computer software, all being provided in the form of storage media; programs for operating electric and electronic apparatus for games, amusement and/or entertainment purposes; computer software for computer games on the internet; online games (software), in particular for online betting games, online prize games, online gambling games, online games of skill and online casino games; computer software in the form of an app for mobile devices and computers; calculating apparatus in coin-operated machines and parts for the aforesaid goods; electric, electronic, optical or automatic apparatus, for identifying data carriers, identity cards and credit cards, bank notes and coins; software in particular for casino and/or amusement arcade games, for gaming machines and/or slot machines each one with or without prize payouts; gaming software that generates or displays wager outcomes of gaming machines; operational computer games software; computer software for managing of games (game collection); computer programs for video games.

28 – Games; toys; gaming apparatus (including coin-operated apparatus); coin-operated arcade games (machines); games for amusement arcades (included in this class); coin-operated video gaming apparatus; video games apparatus adapted for use with external screens or monitors only; casino fittings, namely roulette tables, roulette wheels; coin-operated automatic gaming machines and gaming machines, in particular for gaming arcades, with or without a prize payout; electronic or electrotechnical gaming apparatus, automatic gaming machines, gaming machines, slot machines operated by coins, tokens, banknotes, tickets or by means of electronic, magnetic or biometric storage media, in particular for commercial use in casinos and amusement arcades, with or without a prize payout; automatic gaming machines and gaming machines, in particular for commercial use in casinos and gaming arcades, with or without a prize payout; coin-operated gaming machines and/or

electronic money-based gaming apparatus (machines), with or without prizes; housings adapted for gaming machines, gaming apparatus and automatic gaming machines, operated by means of coins, tokens, tickets or by means of electronic, magnetic or biometric storage media, in particular for commercial use in casinos and gaming arcades, with or without a prize payout; electronic games; electronic game entertainment apparatus and parts thereof; video output game machines; drawing apparatus for prize games and lotteries, draws or raffles; housings of metal, plastic and/or wood for coin-operated automatic machines; apparatus for games (including video games), other than adapted for use with external screens or monitors only; electropneumatic and electric slot machines with pulling handles (gaming machines); gaming tables, in particular for table football, billiards, sliding games; flying discs (toys) and darts; gaming machines, namely, electric, electronic or electromechanical apparatus for bingo games, lotteries or video lottery games and for betting offices, connected or unconnected to a computer network; LCD games consoles; automatic gaming machines; all the aforesaid automatic gaming machines operating in networks; apparatus and devices for accepting and storing money, being fittings for the aforesaid automatic machines, included in this class; automatic lottery machines.

(260) AM 2019 97632 A

(800) 1400424

(151) 2018 02 01

(891) 2018 02 01

(731) ADP GAUSELMANN GMBH

Merkur-Allee 1-15, 32339 Espelkamp,  
Germany

(540)

## Dreaming Island

(591) Black, white

(511)

9 – Computer software; coin-operated mechanisms; computer and video games software; games software in particular for use on any computer platform, including electronic entertainment and games consoles; computer game programs; video games (software); computer games provided through a global computer network or supplied by means of multi-media electronic broadcast or through telecommunications or electronic transmission or via the internet; computer games, leisure and recreational software, video games and computer software, all being provided in the form of storage media; programs for operating electric and electronic apparatus for games, amusement and/or entertainment purposes; computer software for computer games on the internet; online games (software), in particular for online betting games, online prize games, online gambling games, online games of skill and online casino games; com-



puter software in the form of an app for mobile devices and computers; calculating apparatus in coin-operated machines and parts for the aforesaid goods; electric, electronic, optical or automatic apparatus, for identifying data carriers, identity cards and credit cards, bank notes and coins; software in particular for casino and/or amusement arcade games, for gaming machines and/or slot machines each one with or without prize payouts; gaming software that generates or displays wager outcomes of gaming machines; operational computer games software; computer software for managing of games (game collection); computer programs for video games.

28 – Games; toys; gaming apparatus (including coin-operated apparatus); coin-operated arcade games (machines); games for amusement arcades (included in this class); coin-operated video gaming apparatus; video games apparatus adapted for use with external screens or monitors only; casino fittings, namely roulette tables, roulette wheels; coin-operated automatic gaming machines and gaming machines, in particular for gaming arcades, with or without a prize payout; electronic or electrotechnical gaming apparatus, automatic gaming machines, gaming machines, slot machines operated by coins, tokens, bank notes, tickets or by means of electronic, magnetic or biometric storage media, in particular for commercial use in casinos and amusement arcades, with or without a prize payout; automatic gaming machines and gaming machines, in particular for commercial use in casinos and gaming arcades, with or without a prize payout; coin-operated gaming machines and/or electronic money-based gaming apparatus (machines), with or without prizes; housings adapted for gaming machines, gaming apparatus and automatic gaming machines, operated by means of coins, tokens, tickets or by means of electronic, magnetic or biometric storage media, in particular for commercial use in casinos and gaming arcades, with or without a prize payout; electronic games; electronic game entertainment apparatus and parts thereof; video output game machines; drawing apparatus for prize games and lotteries, draws or raffles; housings of metal, plastic and/or wood for coin-operated automatic machines; apparatus for games (including video games), other than adapted for use with external screens or monitors only; electropneumatic and electric slot machines with pulling handles (gaming machines); gaming tables, in particular for table football, billiards, sliding games; flying discs (toys) and darts; gaming machines, namely, electric, electronic or electromechanical apparatus for bingo games, lotteries or video lottery games and for betting offices, connected or unconnected to a computer network; LCD games consoles; automatic gaming machines; all the aforesaid automatic gaming machines operating in networks; apparatus and devices for accepting and storing money, being fittings for the

aforesaid automatic machines, included in this class; automatic lottery machines.

(260) AM 2019 97633 A

(800) 1400428

(151) 2018 02 20

(891) 2018 02 20

(731) ADP GAUSELMANN GMBH

Merkur-Allee 1-15, 32339 Espelkamp,

Germany

(540)

## Jolly's Cap

(591) Black, white

(511)

9 – Computer software; coin-operated mechanisms; computer and video games software; games software in particular for use on any computer platform, including electronic entertainment and games consoles; computer game programs; video games (software); computer games provided through a global computer network or supplied by means of multi-media electronic broadcast or through telecommunications or electronic transmission or via the internet; computer games, leisure and recreational software, video games and computer software, all being provided in the form of storage media; programs for operating electric and electronic apparatus for games, amusement and/or entertainment purposes; computer software for computer games on the internet; online games (software), in particular for online betting games, online prize games, online gambling games, online games of skill and online casino games; computer software in the form of an app for mobile devices and computers; calculating apparatus in coin-operated machines and parts for the aforesaid goods; electric, electronic, optical or automatic apparatus, for identifying data carriers, identity cards and credit cards, bank notes and coins; software in particular for casino and/or amusement arcade games, for gaming machines and/or slot machines each one with or without prize payouts; gaming software that generates or displays wager outcomes of gaming machines; operational computer games software; computer software for managing of games (game collection); computer programs for video games.

28 – Games; toys; gaming apparatus (including coin-operated apparatus); coin-operated arcade games (machines); games for amusement arcades (included in this class); coin-operated video gaming apparatus; video games apparatus adapted for use with external screens or monitors only; casino fittings, namely roulette tables, roulette wheels; coin-operated automatic gaming machines and gaming machines, in particular for gaming arcades, with or without a prize payout; electronic or electrotechnical gaming apparatus, automatic gaming machines, gaming machines,

slot machines operated by coins, tokens, banknotes, tickets or by means of electronic, magnetic or biometric storage media, in particular for commercial use in casinos and amusement arcades, with or without a prize payout; automatic gaming machines and gaming machines, in particular for commercial use in casinos and gaming arcades, with or without a prize payout; coin-operated gaming machines and/or electronic money-based gaming apparatus (machines), with or without prizes; housings adapted for gaming machines, gaming apparatus and automatic gaming machines, operated by means of coins, tokens, tickets or by means of electronic, magnetic or biometric storage media, in particular for commercial use in casinos and gaming arcades, with or without a prize payout; electronic games; electronic game entertainment apparatus and parts thereof; video output game machines; drawing apparatus for prize games and lotteries, draws or raffles; housings of metal, plastic and/or wood for coin-operated automatic machines; apparatus for games (including video games), other than adapted for use with external screens or monitors only; electropneumatic and electric slot machines with pulling handles (gaming machines); gaming tables, in particular for table football, billiards, sliding games; flying discs (toys) and darts; gaming machines, namely, electric, electronic or electromechanical apparatus for bingo games, lotteries or video lottery games and for betting offices, connected or unconnected to a computer network; LCD games consoles; automatic gaming machines; all the aforesaid automatic gaming machines operating in networks; apparatus and devices for accepting and storing money, being fittings for the aforesaid automatic machines, included in this class; automatic lottery machines.

(260) AM 2019 97635 A

(800) 1400460

(151) 2017 12 26

(891) 2017 12 26

(731) ADP GAUSELMANN GMBH

Merkur-Allee 1-15, 32339 Espelkamp, Germany

(540)

## My Flag

(591) Black, white

(511)

9 – Computer software; coin-operated mechanisms; computer and video games software; games software in particular for use on any computer platform, including electronic entertainment and games consoles; computer game programs; video games (software); computer games provided through a global computer network or supplied by means of multi-media electronic broadcast or through telecommunications or electronic transmission or via the internet; computer games, leisure and recreational software, video games and computer software, all being provided in

the form of storage media; programs for operating electric and electronic apparatus for games, amusement and/or entertainment purposes; computer software for computer games on the internet; online games (software), in particular for online betting games, online prize games, online gambling games, online games of skill and online casino games; computer software in the form of an app for mobile devices and computers; calculating apparatus in coin-operated machines and parts for the aforesaid goods; electric, electronic, optical or automatic apparatus, for identifying data carriers identity cards and credit cards, bank notes and coins; software in particular for casino and/or amusement arcade games, for gaming machines and/or slot machines each one with or without prize payouts; gaming software that generates or displays wager outcomes of gaming machines; operational computer games software; computer software for managing of games (game collection); computer programs for video games.

28 – Games; toys; gaming apparatus (including coin-operated apparatus); coin-operated arcade games (machines); games for amusement arcades (included in this class); coin-operated video gaming apparatus; video games apparatus adapted for use with external screens or monitors only; casino fittings, namely roulette tables, roulette wheels; coin-operated automatic gaming machines and gaming machines, in particular for gaming arcades, with or without a prize payout electronic or electrotechnical gaming apparatus, automatic gaming machines, gaming machines, slot machines operated by coins, tokens, banknotes, tickets or by means of electronic, magnetic or biometric storage media, in particular for commercial use in casinos and amusement arcades, with or without a prize payout; automatic gaming machines and gaming machines, in particular for commercial use in casinos and gaming arcades, with or without a prize payout; coin-operated gaming machines and/or electronic money-based gaming apparatus (machines), with or without prizes; housings adapted for gaming machines, gaming apparatus and automatic gaming machines, operated by means of coins, tokens, tickets or by means of electronic, magnetic or biometric storage media, in particular for commercial use in casinos and gaming arcades, with or without a prize payout electronic games; electronic game entertainment apparatus and parts thereof; video output game machines; drawing apparatus for prize games and lotteries, draws or raffles; housings of metal, plastic and/or wood for coin-operated automatic machines; apparatus for games (including video games), other than adapted for use with external screens or monitors only; electropneumatic and electric slot machines with pulling handles (gaming machines); gaming tables, in particular for table football, billiards, sliding games; flying discs (toys) and darts; gaming machines, namely, electric, electronic or electromechanical apparatus for bingo ga-

mes, lotteries or video lottery games and for betting offices, connected or unconnected to a computer network; LCD games consoles; automatic gaming machines; all the aforesaid automatic gaming machines operating in networks; apparatus and devices for accepting and storing money, being fittings for the aforesaid automatic machines, included in this class; automatic lottery machines.

(260) AM 2019 97641 A  
 (800) 1400687  
 (151) 2018 01 25  
 (891) 2018 01 25  
 (731) W. L. Gore & Associates, Inc.  
 555 Paper Mill Road, DE 19711, USA  
 (540)

## GORE-TEX

(591) Black, white  
 (511)  
 9 – Protective clothing, namely, pants, coats, footwear, coveralls, jackets, gloves, mittens, pants, parkas, vests, jumpsuits, rain suits, head wear, glove liners.  
 22 – Bivy bags, tents, synthetic fibers, camouflage covers, nettings and tarpaulins.  
 24 – Fabric for the manufacture of outerwear; fabric for the manufacture of protective clothing; fabric for the manufacture of sleeping bags; fabric for the manufacture of bulletproof vests; fabric for the manufacture of clothing; fabric for the manufacture of footwear; fabric for the manufacture of head wear; fabric for the manufacture of tents, sleeping bags.  
 25 – Clothing, namely, shirts, singlets, crop tops, jerseys, pants, tights, shorts, knickers, bibs, coats, parkas, vests, footwear, head wear, gloves, mittens, glove inserts, coveralls, jumpsuits, rain suits, arm warmers, leg warmers, knee warmers, neck gaiters, fishing waders, athletic base layers, gaiters, balaclavas, scarfs, jackets, dresses, skirts, skorts, suits, socks, shoe covers, helmet covers, pullovers, uniforms.

(260) AM 2019 97643 A  
 (800) 1400759  
 (151) 2017 11 14  
 (891) 2017 11 14  
 (731) Obshestvo s ogranichennoy otvetstvennostyu "J-UNITED GROUP"  
 OOO "J-UNITED GROUP", 83, Beruniy street, Olmazarskiy district, Tashkent city 100020, Uzbekistan  
 (540)



(591) Red, black and white

(531) 25.05.03; 26.04.01; 26.04.05; 26.04.12;  
 26.04.18; 26.04.24; 27.05.09; 27.05.17;  
 29.01.13

(511)  
 6 – Common metals and their alloys; ores; metal materials for building and construction; transportable buildings of metal; non-electric cables and wires of common metal; small items of metal hardware; metal containers for storage or transport; safes.

11 – Apparatus for lighting, heating, steam generating, cooking, refrigerating, drying, ventilating, water supply and sanitary purposes.

17 – Unprocessed and semi-processed rubber, gutta-percha, gum, asbestos, mica and substitutes for all these materials; plastics and resins in extruded form for use in manufacture; packing, stopping and insulating materials; flexible pipes, tubes and, hoses, not of metal.

(260) AM 2019 97645 A  
 (800) 1400815  
 (151) 2017 12 14  
 (891) 2017 12 14  
 (731) BIOFARMA  
 50 rue Carnot, F-92284 SURESNES Cedex,  
 France  
 (540)

## КАРДИОТЕКА

(591) Black, white  
 (531) 28.05  
 (511)  
 38 – Electronic bulletin services (telecommunication services); provision of telecommunication access to video and audio content and information on the Internet; provision of online discussion forums; transmission of information via newsletters and blogs (electronic magazines) on the Internet; provision of access to chat rooms on the Internet; provision of online forums; provision of discussion forums and newsletter services for transmission among users; radio and television broadcasting services provided via the Internet or other communication networks.  
 41 – Education and training services, organization and conducting of seminars, courses, workshops and conferences.  
 44 – Medical services; advice relating to health, consulting relating to pharmacy.

(260) AM 2019 97646 A  
 (800) 1400843  
 (151) 2017 10 26  
 (891) 2017 10 26  
 (731) OVS S.P.A.  
 Via Terraglio, 17, I-30174 Venezia Mestre  
 (VE), Italy

(540)

**Shaka**

(591) Black, white

(531) 27.05.01

(511)

3 – Fragrances and perfumes; make-up; creams for tanning for the skin; cosmetics and cosmetic preparations; soaps; toothpaste; cosmetic hair lotions; toiletries.

8 – Nail nippers; tweezers for hair removal; files; razors; eyelash curlers.

18 – Bags, pocket wallets; leather and imitations of leather; animal skins, hides; briefbags, valises; umbrellas and parasols; walking sticks; whips, harness and saddlery.

21 – Makeup brushes; brushes; combs and sponges; comb cases.

26 – Hair grips; hair pins; hair extension; hair barrettes; hair fasteners; hair ribbons; hair bands; hair curlers.

35 – Business management; business administration; office functions.

(260) AM 2019 97647 A

(800) 1400903

(151) 2018 02 06

(891) 2018 02 06

(731) VALIO LTD

Meijeritie 6, FI-00370 Helsinki, Finland

(540)

**GRAN  
REGALE**

(591) Black, white

(531) 27.05.03; 27.05.25

(511)

29 – Meat, fish, poultry and game; meat extracts; preserved, frozen, dried and cooked fruits and vegetables; jellies, jams, compotes; eggs; milk and milk products; oils and fats for food; cheese.

(260) AM 2019 97648 A

(800) 1400907

(151) 2018 01 16

(891) 2018 01 16

(731) MIKLYAEV VALENTIN VIKTOROVICH

Sjezhinskaya street, 19, lit.A, 47, RU-197198

Saint-Petersburg, Russian Federation

(540)

**BNOVO**

(591) Black, white

(531) 27.05.17

(511)

9 – Computer programmes [programs], recorded; computer operating programs, recorded; computer software, recorded; interfaces for computers; computer programs [downloadable software]; computer software applications, downloadable; computer hardware.

35 – Business management consultancy; commercial or industrial management assistance; market studies; business investigations; business research; computerized file management; professional business consultancy; business information; sales promotion for others; business management of hotels; compilation of information into computer databases; systemization of information into computer databases; on-line advertising on a computer network; data search in computer files for others; price comparison services; commercial information and advice for consumers [consumer advice shop]; commercial administration of the licensing of the goods and services of others; compilation of statistics; marketing; provision of commercial and business contact information; commercial intermediation services; updating and maintenance of data in computer databases; providing business information via a web site; provision of an on-line marketplace for buyers and sellers of goods and services; web indexing for commercial or advertising purposes; administration of frequent flyer programs.

42 – Computer programming; computer software design; updating of computer software; consultancy in the design and development of computer hardware; rental of computer software; recovery of computer data; maintenance of computer software; computer system analysis; computer system design; duplication of computer programs; conversion of data or documents from physical to electronic media; creating and maintaining web sites for others; hosting computer sites [web sites]; installation of computer software; server hosting; off-site data backup; electronic data storage; providing information on computer technology and programming via a web site; cloud computing; outsource service providers in the field of information technology; computer technology consultancy; telecommunications technology consultancy.

(260) AM 2019 97650 A

(800) 1401017

(151) 2017 11 06

(891) 2017 11 06

(731) APPLE INC.

One Apple Park Way, Cupertino, CA 95014, USA

(540)

**BEDDIT**

(591) Black, white

(511)

10 – General health apparatus, namely, sensors and measuring devices used to measure, collect and track health information, namely, sleep patterns, sleep quality, respiration sounds, respiration movements, heart rate, limb movements, and movement activity; health monitoring instruments consisting of sensors and measuring devices used to measure, collect, and track the effects of environmental variables, namely, temperature and air quality on a user's sleep patterns, all for general wellness and healthcare purposes; general health instruments featuring embedded software for supply and analysis of information on sleep patterns, general well-being, namely, sleep quality, respiration, respiration movements, body temperature, heart rate, limb movements, body movements, and movement activity during sleep.

(260) AM 2019 97656 A

(800) 1401261

(151) 2017 10 23

(891) 2017 10 23

(731) M.A.I.C.A. S.R.L.

Via Casale, 23, I-24060 TORRE DE'ROVERI  
(BG), Italy

(540)

**M.A.I.C.A.**

(591) Black, white

(511)

7 – Machines; machines for use in the clothing industry; shirt factory machines; sewing machines; fusing machines; folding machines; collar turning machines; points shearing machines; cuffs-sewing machines; hemming machines; pocket hemming machines; ironing machines; buttonhole sewing machines for use in the shirt factory; parts, accessories and containers for the aforesaid goods.

(260) AM 2019 97658 A

(800) 1401288

(151) 2017 10 16

(891) 2017 10 16

(731) ALAPROS MAKİNA GIDA SANAYİ VE  
TİCARET ANONİM ŞİRKETİ

Organize Sanayi Bölgesi, 12. Cadde, No:17  
Merkez, Çorum, Turkey

(540)

**Alapros**

(591) Red and black

(531) 27.05.01; 27.05.17; 29.01.12

(511)

7 – Machines, machine tools and industrial robots for processing and shaping wood, metals, glass, plastics and minerals, 3D printers; construction machines and robotic mechanisms (machines) for use in construction, bulldozers, diggers (machines), excavators, road construction and road paving machines, drilling machines, rock drilling machines, road sweeping machines; lifting and transmission machines and robotic mechanisms (machines) for lifting, loading and transmission purposes; elevators, escalators and cranes; machines and robotic mechanisms (machines) for use in agriculture and animal breeding, machines and robotic mechanisms (machines) for processing cereals, fruits, vegetables and food; beverage preparation machines, electromechanical; beverage processing machines; engines and motors, other than for land vehicles, parts and fittings therefor, hydraulic and pneumatic controls for engines and motors, brakes other than for vehicles, brake linings for engines, crankshafts, transmission gears for machines, cylinders for engines, pistons for engines, turbines, not for land vehicles, filters for engines and motors, oil, air and fuel filters for land vehicle engines, exhausts for land vehicle engines, exhaust manifolds for land vehicle engines, engine cylinders for land vehicles, engine cylinder heads for land vehicles, pistons for land vehicle engines, carburetors for land vehicles, fuel conversion apparatus for land vehicle engines, injectors for land vehicle engines, fuel economisers for land vehicle engines, pumps for land vehicle engines, valves for land vehicle engines, starters for motors and engines, dynamos for land vehicle engines, sparking plugs for land vehicle engines; bearings (parts of machines), roller or ball bearings; machines for mounting and detaching tires; alternators, current generators, electric generators, current generators operated with solar energy; painting machines, automatic spray guns for paint, electric, hydraulic and pneumatic punching machines and guns, electric adhesive tape dispensers (machines), electric guns for compressed gas or liquid spraying machines, electric hand drills, electric hand saws, electric jigsaw machines, spiral machines, compressed air machines, compressors (machines), vehicle washing installations, robotic mechanisms (machines) with the abovementioned functions; electric and gas-operated welding apparatus, electric arc welding apparatus, electric soldering apparatus, electric arc cutting apparatus, electrodes for welding machines, industrial robots (machines) with the abovementioned functions; printing machines; packaging machines, filling, plugging and sealing machines, labellers (machines), sorting machines, industrial robots (machines) with the abovementioned functions, electric packing machines for plugging and scaling of plastics; machines for textile processing, sewing machines, industrial robots (machines) with the abovementioned functions; pumps [machi-

nes], self-regulating fuel pumps; electric kitchen machines for chopping, grinding, crushing, mixing and mincing foodstuff, washing machines, laundry washing machines, dishwashers, spin driers (not heated), electric cleaning machines for cleaning floors, carpets or floorings, vacuum cleaners and parts thereof; automatic vending machines; galvanizing and electroplating machines; electric door openers and closers; joints (parts of engines).

35 – The bringing together, for the benefit of others, of a variety of goods, namely, machines, machine tools and industrial robots for processing and shaping wood, metals, glass, plastics and minerals, 3D printers, construction machines and robotic mechanisms (machines) for use in construction, bulldozers, diggers (machines), excavators, road construction and road paving machines, drilling machines, rock drilling machines, road sweeping machines, lifting, loading and transmission machines and robotic mechanisms (machines) for lifting, loading and transmission purposes, elevators, escalators and cranes, machines and robotic mechanisms (machines) for use in agriculture and animal breeding, machines and robotic mechanisms (machines) for processing cereals, fruits, vegetables and food, beverage preparation machines, electromechanical, beverage processing machines, engines and motors, other than for land vehicles, parts and fittings therefor, hydraulic and pneumatic controls for engines and motors, brakes other than for vehicles, brake linings for engines, crankshafts, transmission gears for machines, cylinders for engines, pistons for engines, turbines, not for land vehicles, filters for engines and motors, oil, air and fuel filters for land vehicle engines, exhausts for land vehicle engines, exhaust manifolds for land vehicle engines, engine cylinders for land vehicles, engine cylinder heads for land vehicles, pistons for land vehicle engines, carburetors for land vehicles, fuel conversion apparatus for land vehicle engines, injectors for land vehicle engines, fuel economisers for land vehicle engines, pumps for land vehicle engines, valves for land vehicle engines, starters for motors and engines, dynamos for land vehicle engines, sparking plugs for land vehicle engines, bearings (parts of machines), roller or ball bearings, machines for mounting and detaching tires, alternators, current generators, electric generators, current generators operated with solar energy, painting machines, automatic spray guns for paint, electric, hydraulic and pneumatic punching machines and guns, electric adhesive tape dispensers (machines), electric guns for compressed gas or liquid spraying machines, electric hand drills, electric hand saws, electric jigsaw machines, spiral machines, compressed air machines, compressors (machines), vehicle washing installations, robotic mechanisms (machines) with the abovementioned functions, electric and gas-operated welding apparatus, electric arc welding apparatus, electric soldering apparatus, electric arc cutting

apparatus, electrodes for welding machines, Industrial robots (machines) with the abovementioned functions, printing machines, packaging machines, filling, plugging and sealing machines, labellers (machines), sorting machines, industrial robots (machines) with the abovementioned functions, electric packing machines for plugging and sealing of plastics, machines for textile processing, sewing machines, industrial robots (machines) with the abovementioned functions, pumps [machines], self-regulating fuel pumps, electric kitchen machines for chopping, grinding, crushing, mixing and mincing foodstuff, washing machines, laundry washing machines, dishwashers, spin driers (not heated), electric cleaning machines for cleaning floors, carpets or floorings, vacuum cleaners and parts thereof, automatic vending machines, galvanizing and electroplating machines, electric door openers and closers, joints (parts of engines), enabling customers to conveniently view and purchase those goods, such services may be provided by retail stores, wholesale outlets, by means of electronic media or through mail order catalogues.

---

(260) AM 2019 97660 A  
 (800) 1401370  
 (151) 2018 01 09  
 (891) 2018 01 09  
 (731) JERMUK GROUP CJSC  
 Barekamutyan Str. 1, Jermuk, Armenia  
 (540)



(591) Green  
 (531) 19.07.01; 29.01.03  
 (511)  
 32 – Aerated, mineral and spring water.

---

(260) AM 2019 97676 A  
 (800) 1384587  
 (151) 2017 09 06  
 (891) 2018 03 29  
 (731) Obschestvo s ogranichennoi otvetstvennostyu



"NAUCHNO-PROIZVODSTVENNAYA  
FIRMA "MATERIA MEDICA HOLDING"  
Trety Samotekny pereulok, 9, RU-127473  
Moscow, Russian Federation

(540)

**ISKRA**

(591) Black, white

(511)

5 – Pharmaceuticals, medical and veterinary preparations; sanitary preparations for medical purposes; dietetic food and substances adapted for medical or veterinary use, food for babies; dietary supplements for humans and animals; plasters, materials for dressings; material for stopping teeth, dental wax; alkaloids for medical purposes; alginates for pharmaceutical purposes; aldehydes for pharmaceutical purposes; dental amalgams of gold; dental amalgams; amino acids for veterinary purposes; amino acids for medical purposes; analgesics; anaesthetics; antibiotics; medicine cases, portable, filled; first-aid boxes, filled; aluminium acetate for pharmaceutical purposes; acetates for pharmaceutical purposes; balms for medical purposes; bandages for dressings; diagnostic biomarker reagents for medical purposes; bromine for pharmaceutical purposes; paper for mustard plasters; reagent paper for veterinary purposes; reagent paper for medical purposes; petroleum jelly for medical purposes; vaccines; oxygen baths; dietetic substances adapted for medical use; radiological contrast substances for medical purposes; nutritive substances for microorganisms; radioactive substances for medical purposes; bismuth subnitrate for pharmaceutical purposes; melissa water for pharmaceutical purposes; sea water for medicinal bathing; mineral waters for medical purposes; thermal water; dietary fiber; molding wax for dentists; gases for medical purposes; guaiacol for pharmaceutical purposes; sexual stimulant gels; hematogen; hemoglobin; hydrastine; hydrastinine; glycerine for medical purposes; glycerophosphates; glucose for medical purposes; gentian for pharmaceutical purposes; hormones for medical purposes; mustard for pharmaceutical purposes; mustard plasters; mud for baths; medicinal mud; gamboge for medical purposes; gurjun [gurjon, gurjan] balsam for medical purposes; air deodorising preparations; deodorants, other than for human beings or for animals; diastase for medical purposes; digitalin; mineral food supplements; nutritional supplements; albumin dietary supplements; dietary supplements for animals; yeast dietary supplements; alginate dietary supplements; glucose dietary supplements; casein dietary supplements; lecithin dietary supplements; linseed oil dietary supplements; propolis dietary supplements; protein dietary supplements; protein supplements for animals; royal jelly dietary supplements; pollen dietary supplements; wheat germ dietary supplements; linseed dietary supplements; enzyme dietary supplements; yeast for pharmaceutical purposes; gelatine

for medical purposes; cod liver oil; isotopes for medical purposes; immunostimulants; iodine for pharmaceutical purposes; iodides for pharmaceutical purposes; alkaline iodides for pharmaceutical purposes; iodoform; cream of tartar for pharmaceutical purposes; tartar for pharmaceutical purposes; camphor for medical purposes; capsules for medicines; cachets for pharmaceutical purposes; hemostatic pencils; wart pencils; caustic pencils; carbolineum [parasi-ticide]; caustics for pharmaceutical purposes; cachou for pharmaceutical purposes; quassia for medical purposes; quebracho for medical purposes; oxygen for medical purposes; gallic acid for pharmaceutical purposes; acids for pharmaceutical purposes; adhesives for dentures; surgical glues; stem cells for veterinary purposes; stem cells for medical purposes; collagen for medical purposes; collodion for pharmaceutical purposes; corn rings for the feet; candy, medicated; angostura bark for medical purposes; barks for pharmaceutical purposes; cedar wood for use as an insect repellent; condurango bark for medical purposes; croton bark; mangrove bark for pharmaceutical purposes; myrobalan bark for pharmaceutical purposes; quinquina for medical purposes; medicated animal feed; medicinal roots; rhubarb roots for pharmaceutical purposes; lint for medical purposes; starch for dietetic or pharmaceutical purposes; creosote for pharmaceutical purposes; blood for medical purposes; cultures of microorganisms for medical or veterinary use; dental lacquer; liquorice for pharmaceutical purposes; lactose for pharmaceutical purposes; candy for medical purposes; adhesive plasters; medicines for alleviating constipation; adhesive tapes for medical purposes; lecithin for medical purposes; lotions for veterinary purposes; lotions for pharmaceutical purposes; personal sexual lubricants; lupulin for pharmaceutical purposes; magnesia for pharmaceutical purposes; liniments; ointments for pharmaceutical purposes; sunburn ointments; mercurial ointments; frostbite salve for pharmaceutical purposes; gauze for dressings; dental mastics; dental abrasives; dental impression materials; teeth filling material; dressings, medical; surgical dressings; drugs for medical purposes; medicines for veterinary purposes; serotherapeutic medicines; medicines for human purposes; medicines for dental purposes; menthol; medicinal drinks; almond milk for pharmaceutical purposes; powdered milk for babies; royal jelly for pharmaceutical purposes; milk ferments for pharmaceutical purposes; Irish moss for medical purposes; flour for pharmaceutical purposes; linseed meal for pharmaceutical purposes; fish meal for pharmaceutical purposes; freeze-dried meat adapted for medical purposes; mint for pharmaceutical purposes; dietetic beverages adapted for medical purposes; malted milk beverages for medical purposes; medicinal infusions; tincture of iodine; eucalyptol for pharmaceutical purposes; tinctures for medical purposes; opodeldoc; decoctions for pharmaceu-

tical purposes; antiparasitic collars for animals; cotton sticks for medical purposes; stick liquorice for pharmaceutical purposes; pastilles for pharmaceutical purposes; medicated dentifrices; pectin for pharmaceutical purposes; pepsins for pharmaceutical purposes; peptones for pharmaceutical purposes; leeches for medical purposes; blood plasma; eyepatches for medical purposes; poultices; compresses; scapulars for surgical purposes; babies' diapers [napkins]; diapers for pets; diapers for incontinents; bunion pads; breast-nursing pads; pomades for medical purposes; powder of cantharides; pyrethrum powder; belts for sanitary napkins [towels]; anti-uric preparations; bacterial preparations for medical and veterinary use; bacteriological preparations for medical and veterinary use; balsamic preparations for medical purposes; albuminous preparations for medical purposes; biological preparations for veterinary purposes; biological preparations for medical purposes; bismuth preparations for pharmaceutical purposes; vitamin preparations; diagnostic preparations for medical purposes; bath preparations for medical purposes; therapeutic preparations for the bath; hemorrhoid preparations; preparations for callouses; lice treatment preparations [pediculicides]; acne treatment preparations; preparations to facilitate teething; preparations for the treatment of burns; fumigation preparations for medical purposes; ootherapy preparations; bronchodilating preparations; preparations for reducing sexual activity; corn remedies; pharmaceutical preparations for treating dandruff; pharmaceutical preparations for skin care; contact lens cleaning preparations; preparations of microorganisms for medical or veterinary use; lime-based pharmaceutical preparations; medicated eye-washes; medicinal hair growth preparations; nutraceutical preparations for therapeutic or medical purposes; anticryptogamic preparations; aloe vera preparations for pharmaceutical purposes; preparations of trace elements for human and animal use; sulfonamides [medicines]; pharmaceutical preparations for treating sunburn; enzyme preparations for medical purposes; enzyme preparations for veterinary purposes; phytotherapy preparations for medical purposes; chemico-pharmaceutical preparations; chemical preparations for veterinary purposes; chemical preparations for the diagnosis of pregnancy; chemical preparations for medical purposes; chemical preparations for pharmaceutical purposes; chilblain preparations; collyrium; lead water; chemical conductors for electrocardiograph electrodes; albuminous foodstuffs for medical purposes; dietetic foods adapted for medical purposes; by-products of the processing of cereals for dietetic or medical purposes; homogenized food adapted for medical purposes; freeze-dried food adapted for medical purposes; sanitary towels; sanitary pads; panty liners [sanitary]; propolis for pharmaceutical purposes; pearl powder for medical purposes; radium for medical purposes; hydrated chloral

for pharmaceutical purposes; solvents for removing adhesive plasters; vaginal washes for medical purposes; solutions for contact lenses; chemical reagents for medical or veterinary purposes; gum for medical purposes; rubber for dental purposes; chewing gum for medical purposes; tissues impregnated with pharmaceutical lotions; sarsaparilla for medical purposes; sugar for medical purposes; asthmatic tea; fumigating sticks; suppositories; linseed for pharmaceutical purposes; tobacco-free cigarettes for medical purposes; siccatives [drying agents] for medical purposes; syrups for pharmaceutical purposes; turpentine for pharmaceutical purposes; milking grease; greases for veterinary purposes; greases for medical purposes; lacteal flour for babies; infant formula; soporifics; bicarbonate of soda for pharmaceutical purposes; bath salts for medical purposes; salts for mineral water baths; salts for medical purposes; potassium salts for medical purposes; sodium salts for medical purposes; smelling salts; mineral water salts; malt for pharmaceutical purposes; semen for artificial insemination; alcohol for pharmaceutical purposes; medicinal alcohol; alloys of precious metals for dental purposes; ergot for pharmaceutical purposes; cooling sprays for medical purposes; adjuvants for medical purposes; astringents for medical purposes; vermifuges; douching preparations for medical purposes; appetite suppressants for medical purposes; medical preparations for slimming purposes; mouthwashes for medical purposes; febrifuges; depuratives; vesicants; purgatives; remedies for perspiration; remedies for foot perspiration; chemical contraceptives; antiparasitic preparations; sedatives; laxatives; tonics [medicines]; medicated toiletry preparations; digestives for pharmaceutical purposes; nervines; media for bacteriological cultures; steroids; strychnine; serums; tanning pills; appetite suppressant pills; slimming pills; antioxidant pills; jujube, medicated; sanitary tampons; vulnerary sponges; thymol for pharmaceutical purposes; biological tissue cultures for veterinary purposes; biological tissue cultures for medical purposes; smoking herbs for medical purposes; medicinal herbs; transplants [living tissues]; surgical implants comprised of living tissues; pants, absorbent, for incontinents; sanitary panties; babies' napkin-pants [diaper-pants]; charcoal for pharmaceutical purposes; fennel for medical purposes; porcelain for dental prostheses; phenol for pharmaceutical purposes; enzymes for veterinary purposes; enzymes for medical purposes; ferments for pharmaceutical purposes; formic aldehyde for pharmaceutical purposes; phosphates for pharmaceutical purposes; quinine for medical purposes; chinoline for medical purposes; diabetic bread adapted for medical use; chloroform; flowers of sulfur for pharmaceutical purposes; cement for animal hooves; bone cement for surgical and orthopaedic purposes; dental cements; medicinal tea; herbal teas for medicinal purposes; pre-filled syringes for medical pur-



poses; eucalyptus for pharmaceutical purposes; herbal extracts for medical purposes; plant extracts for pharmaceutical purposes; extracts of hops for pharmaceutical purposes; elixirs [pharmaceutical preparations]; ethers for pharmaceutical purposes; esters for pharmaceutical purposes; cellulose esters for pharmaceutical purposes; cellulose ethers for pharmaceutical purposes.

(260) AM 2019 97711 A  
 (800) 1401520  
 (151) 2018 01 08  
 (891) 2018 01 08  
 (731) ORKLA FOODS SVERIGE AB  
 Box 4249, SE-203 13 Malmö, Sweden  
 (540)

## FELIX

(591) Black, white  
 (511)  
 29 – Meat, fish, poultry and game; meat extracts; preserved, dried and cooked fruits and vegetables; jellies, jams; eggs, milk and milk products; edible oils and fats; prepared meals in particular soups, stews, mainly consisting of goods included in this class; none of the aforementioned goods containing or consisting of snack food such as nuts, seeds, dried fruits or potato crisps or other snack food, included in this class.

30 – Coffee, tea, cocoa, sugar, rice, tapioca, sago, artificial coffee; flour and preparations made from cereals, bread, pastry and confectionery, ices; honey, treacle; yeast, baking-powder; salt, mustard; vinegar, sauces (condiments); spices; ice; prepared meals mainly consisting of goods included in this class; pizzas; fruit sauces; pies; none of the aforementioned goods containing or consisting of cereal based snack food.

(260) AM 2019 97712 A  
 (800) 1401549  
 (151) 2017 12 07  
 (891) 2017 12 07  
 (731) PELİT ARSLAN KONTRPLAK FABRİKASI  
 ANONİM ŞİRKETİ  
 Halkalı Caddesi No:170 Sefaköy,  
 Küçükçekmece, İSTANBUL, Turkey;  
 VEZİRKÖPRÜ ORMAN ÜRÜNLERİ VE  
 KAĞIT SANAYİ ANONİM ŞİRKETİ  
 Esentepe Mahallesi Adliye Saray Karşısı,  
 Vezirköprü, Samsun, Turkey

(540)



## LEGNOSTAR

(591) Dark blue, light brown

(531) 01.01.01; 01.01.02; 01.01.10; 26.04.13;  
 27.05.17; 29.01.12

(511)  
 19 – Building materials (non-metallic); non-metallic rigid pipes for building; asphalt, pitch and bitumen; non-metallic transportable buildings; monuments, not of metal.

(260) AM 2019 97715 A  
 (800) 1401579  
 (151) 2017 12 05  
 (891) 2017 12 05  
 (731) BEDGEAR LLC  
 110 Bi-County Blvd., Suite 101, Farmingdale  
 NY 11735, USA  
 (540)

## PERFORMANCE

(591) Black, white  
 (511)  
 20 – Mattresses; mattresses, namely, crib mattresses; mattress foundations; mattress toppers; pillows; pillows, namely, back rests not for medical purposes; pet beds; cushions; pads, namely, sleeping bag pads, sleeping pads; mattress pads.

24 – Bed sheets; bed blankets; comforters; duvets; mattress covers; mattress protectors, namely, contoured mattress cover, waterproof mattress cover; pillow protectors, namely, waterproof pillow cover, ventilated pillow cover; pillowcases; pillow covers; crib mattress covers; diaper changing pad not of paper; crib mattress protectors, namely, waterproof crib mattress covers, ventilated crib mattress covers; crib sheets; sleeping bags.

(260) AM 2019 97723 A  
 (800) 1401782  
 (151) 2018 02 14  
 (891) 2018 02 14  
 (731) ROCHE DIAGNOSTICS GMBH  
 Sandhofer Strasse 116, 68305 Mannheim,  
 Germany  
 (540)

## COBAS PURE

(591) Black, white  
 (511)  
 9 – Scientific instruments and apparatus; laboratory devices for use in research, science and industry; laboratory instruments for research and diagnostic purposes; computer hardware and software for medical and diagnostic purposes; computer software for the provision of automated diagnostic laboratory processes; computer software and hardware for use with laboratory instruments, namely, for use in providing remote automated control, data analysis, and data management.

10 – Medical apparatus and instruments; analyzers for in-vitro diagnostic testing for medical purposes; laboratory apparatus for medical diagnostic purposes.

(260) AM 2019 97724 A

(800) 1401859

(151) 2018 03 16

(891) 2018 03 16

(731) BAYER AKTIENGESELLSCHAFT  
Kaiser-Wilhelm-Allee, 51373 Leverkusen,  
Germany

(540)

## RYGOTRAK

(591) Black, white

(511)

5 – Pharmaceutical preparations.

(260) AM 2019 97726 A

(800) 1401949

(151) 2018 03 23

(891) 2018 03 23

(731) Sovmestnoe obschestvo s ogranichennoy  
otvetstvennostyu "BELWINGROUP"  
ul. Nakhimova, of. 402, d. 20, 220033  
MINSK, Belarus

(540)

## WILD LEGEND

(591) Black, white

(511)

33 – Vodka.

(260) AM 2019 97727 A

(800) 1402040

(151) 2017 12 14

(891) 2017 12 14

(731) WORLD MEDICINE İLAÇ SANAYİ VE  
TİCARET ANONİM ŞİRKETİ  
Evren Mah. Camiyolu Cad. No.50, Kat 1 B  
Zemin 4-5-6, Güneşli / Bağcılar, İstanbul,  
Turkey

(540)

## MIRABELLA

## МИРАБЕЛЛА

(591) Black, white

(531) 28.05

(511)

5 – Medicines for human purposes, medicines for veterinary purposes, vitamin preparations, chemical preparations for medical purposes, dietetic substances adapted for medical use, dietetic foods adapted for medical purposes, baby foods, medicinal herbs, herbal beverages adapted for medical purposes, nut-

ritional supplements, pollen dietary supplements, mineral food supplements, protein dietary supplements, dietary supplements for animals, fodder supplements for veterinary purposes, medicines for dental purposes, hygienic products for medical purposes including sanitary pads, breast-nursing pads and uniaction pads, waddings for medical purposes, plasters for medical purposes, dressings for medical purposes, babies' napkins, preparations for destroying noxious plants, preparations for destroying noxious animals, fungicides, deodorants other than for human beings or for animals, air deodorising preparations, disinfectants for hygiene purposes, antiseptics, detergents for medical purposes.

(260) AM 2019 97729 A

(800) 1402083

(151) 2018 04 11

(891) 2018 04 11

(731) CONTINENTAL MATADOR RUBBER,  
S.R.O.  
Terézie Vansovej 1054, SK-020 01 Púchov,  
Slovakia

(540)

## Winterra

(591) Black, white

(511)

12 – Tyres.

(260) AM 2019 97735 A

(800) 1402315

(151) 2017 10 16

(891) 2017 10 16

(731) MOROZOV VICTOR ALEKSANDROVICH  
Kosmonavtov street, 5, building G, apartment  
40, RU-344092 Rostov-on-Don, Russian  
Federation

(540)

## Пекарро

(591) Burgundy and white

(531) 29.01.12

(511)

30 – Star aniseed; sponge cakes; pancakes; buns; bread rolls; vanillin [vanilla substitute]; waffles; vermicelli [noodles]; natural sweeteners; sausage binding materials; sea water for cooking; mustard; yeast; thickening agents for cooking foodstuffs; rice-based snack food; cereal-based snack food; artificial coffee; vegetal preparations for use as coffee substitutes; confectionery for decorating Christmas trees; cakes; peanut confectionery; almond confectionery; pasta; cocoa; capers; boiled sweets; quiches; gluten prepared as foodstuff; sweetmeats [candy]; peppermint sweets; coffee; unroasted coffee; starch for

food; crackers; hominy grits; groats for human food; corn, milled; corn, roasted; meat pies; turmeric; noodles; ice for refreshment; ice, natural or artificial; edible ices; candy; rice cakes; maltose; hominy; marzipan; honey; royal jelly; ice cream; meal; muesli; mint for confectionery; cocoa beverages with milk; coffee beverages with milk; coffee-based beverages; chocolate beverages with milk; chocolate-based beverages; cocoa-based beverages; infusions, not medicinal; crushed oats; husked oats; nutmegs; pastilles [confectionery]; molasses for food; pepper; cookies; pies; pizzas; fondants [confectionery]; popcorn; pralines; condiments; fruit cakes; meat tenderizers for household purposes; cereal preparations; oat-based food; propolis; gingerbread; spices; ravioli; chewing gum; rice; spring rolls; sugar; aniseed; confectionery; salt for preserving foodstuffs; cooking salt; celery salt; spaghetti; seasonings; preparations for stiffening whipped cream; rusks; bread-crumbs; sushi; sandwiches; tabbouleh; tacos; tapioca; almond paste; tortillas; garden herbs, preserved [seasonings]; vinegar; ferments for pastes; halvah; bread; unleavened bread; tea; iced tea; chocolate; food flavorings, other than essential oils; vanilla flavorings for culinary purposes; coffee flavorings; glucose for culinary purposes; pastries; frozen yogurt [confectionery ices]; gruel, with a milk base, for food; liquorice [confectionery]; couscous [semolina]; custard; petits fours [cakes]; powders for making ice cream; puddings; cake powder; cake dough; baking soda [bicarbonate of soda for cooking purposes]; malt for human consumption; candy decorations for cakes; chips [cereal products]; chicory [coffee substitute]; malt extract for food; essences for foodstuffs, except etheric essences and essential oils; fruit ice cream.

35 – Commercial information agency services; advertising agency services; cost price analysis; rental of advertising space; account auditing; employment agency services; computerized file management; book-keeping; invoicing; demonstration of goods; opinion polling; market studies; business information; business investigations; personnel recruitment; business management and organization consultancy; business organization consultancy; business management consultancy; professional business consultancy; layout services for advertising purposes; business management of performing artists; news clipping services; updating of advertising material; word processing; organization of exhibitions for commercial or advertising purposes; arranging newspaper subscriptions for others; organization of trade fairs for commercial or advertising purposes; shop window dressing; business appraisals; payroll preparation; sponsorship search; business management assistance; commercial or industrial management assistance; economic forecasting; auctioneering; office machines and equipment rental; publicity material rental; rental of vending machines; rental of photocopying

machines; publication of publicity texts; typing; radio advertising; bill-posting; distribution of samples; dissemination of advertising matter; writing of publicity texts; advertising; on-line advertising on a computer network; advertising by mail order; television advertising; document reproduction; compilation of statistics; compilation of information into computer databases; business inquiries; systemization of information into computer databases; tax preparation; drawing up of statements of accounts; commercial administration of the licensing of the goods and services of others; public relations; modelling for advertising or sales promotion; relocation services for businesses; price comparison services; procurement services for others [purchasing goods and services for other businesses]; telephone answering for unavailable subscribers; photocopying services; business efficiency expert services; transcription of communications [office functions]; commercial information and advice for consumers [consumer advice shop]; secretarial services; shorthand; data search in computer files for others; presentation of goods on communication media, for retail purposes; sales promotion for others; rental of advertising time on communication media; advertising in periodicals, brochures and newspapers; psychological testing for the selection of personnel; business management of hotels; administrative processing of purchase orders; marketing research.

---

(260) AM 2019 97749 A

(800) 1402675

(151) 2018 01 05

(891) 2018 01 05

(731) EXPORMIM, S.A

c/ Venta San Cristobal, s/n, E-46640

MOGENTE (VALENCIA), Spain

(540)

**EXPORMIM**

(591) Black, white

(511)

20 – Furniture, mirrors, picture frames; wicker, bone; horn, ivory, whalebone or mother-of-pearl, whether unwrought or semi-wrought; shells, yellow amber; meerschaum.

42 – Interior decoration services; technical project study; commercial design services; product design; graphic design; industrial design; interior and exterior design; technical design

---

(260) AM 2019 97751 A

(800) 1148843

(151) 2012 12 27

(891) 2018 05 02

(731) ASTRAZENECA AB

SE-151 85 Södertälje, Sweden

(540)

**GIMLIAND**

(591) Black, white

(511)

5 – Pharmaceutical preparations and substances.

(260) AM 2019 97754 A

(800) 1344919

(151) 2017 01 20

(891) 2018 05 03

(731) SLAM S.P.A.

Via Adamoli, 521, I-16165 GENOVA (GE),  
Italy

(540)

**Slam**

(591) Black, white

(531) 26.04.03; 26.04.09; 26.04.24

(511)

18 – Leather and imitations of leather; animal skins, hides; trunks and travelling bags; umbrellas and parasols; walking sticks; whips, harness and saddlery.

25 – Clothing, footwear, headgear.

35 – Advertising; business management; business administration; office functions.

(260) AM 2019 97755 A

(800) 1386677

(151) 2017 08 09

(891) 2018 04 26

(731) TVG SHIPPING LIMITED

140 B Franklin Roosevelt, CY-3011 Limassol,  
Cyprus

(540)



(591) Black, white

(531) 03.04.01; 03.04.04; 03.04.13; 03.04.24;  
27.05.01

(511)

18 – Bags for travelling, bags for sports and other handbags; accessories for the aforesaid; bags for sportswear.

28 – Sports equipment and accessories; machinery, apparatus, instruments and equipment for gymnastics, sports, exercise and physical education.

37 – Maintenance of all kinds of gymnasiums.

41 – Athletic education and entertainment services; providing gymnasiums; hire and rental of sports equipment and instruments.

(260) AM 2019 97841 A

(800) 1403259

(151) 2017 06 26

(891) 2017 06 26

(731) Obshchestvo s ogranichennoy

otvetstvennostyu "GAMMA"

ul. Sr. Kalitnikovskaya, 28, str. 4, RU-109029

Moscow, Russian Federation

(540)

**Ходбуус**

Набор для рукоделия

(591) Black, orange, pink, light orange, red, green,  
sea green, light sea green, blue(531) 02.09.01; 03.01.06; 03.01.24; 28.05; 29.01.15  
(511)

8 – Abrading instruments [hand instruments]; bits [parts of hand tools]; cutters; cutting tools; drills; embossers [hand tools]; emery files; engraving needles; files [tools]; goffering irons; graving tools [hand tools]; hammers [hand tools]; knives; taps [hand tools]; polishing irons [glazing tools]; spoons; stamping-out tools [hand tools]; stamps [hand tools]; sharpening stones; tweezers; vices.

16 – Aquarelles; booklets; bookmarkers; books; calendars; canvas for painting; paper and cardboard; cardboard articles; cards; catalogues; comic books; covers [stationery]; engravings; figurines [statuettes] of papier mâché; glue for stationery or household purposes; gluten [glue] for stationery or household purposes; fluting paper [corrugating medium]; graphic reproductions; labels of paper; magazines [periodicals]; modelling clay; modelling materials; modelling paste; modelling wax, not for dental purposes; musical greeting cards; napkins of paper; note books; art prints; packaging material made of starches; packing paper; paper bows; paper for book-binding cloth; calligraphy paper; label paper; postcard paper; reproduction paper; paper sheets [stationery]; parchment paper; passport holders; patterns for making clothes; photographs [printed]; photograph stands; pen cases; pictures; plastics for modelling; postcards; posters; printed publications; printed timetables; offset paper; prospectuses; arts and crafts paint kits; stencil plates; decorative stic-

kers for helmets; table napkins of paper; tracing paper; three-dimensional decalcomanias for use on any surface; waxed paper; wrapping paper.

22 – Packing rope; seaweed for stuffing; textile fibers; horsehair; hammocks; cocoons; strips for louver boards; packing strips; strips not of metal; rope ladders; linters; padding materials, not of rubber, plastics, paper or cardboard; packing [cushioning, stuffing] materials, not of rubber, plastics, paper or cardboard; bottle envelopes of straw; tow; cotton tow; silk flock; hemp; feathers for stuffing upholstery; raffia; straw for stuffing upholstery; glass fibers [fibres] for textile use; bags for washing hosiery; textile fibers [fibres]; awnings of synthetic materials; awnings of textile; grasses for upholstering; cotton waste [flock] for padding and stuffing; silk waste; wool flock; carded wool; upholstery wool [stuffing]; wood wool; cords for hanging pictures.

23 – Thread; embroidery thread and yarn; jute thread; coir thread and yarn; threads of plastic materials for textile use; fiberglass thread for textile use; linen thread; hemp thread; rubber thread for textile use; cotton thread; sewing thread; woollen thread and yarn; silk thread; elastic thread and yarn for textile use; yarn; spun cotton; spun silk; spun wool.

24 – Adhesive fabric for application by heat; frieze [cloth]; velvet; haircloth; fustian; felt; gauze [cloth]; damask; tablecloths, not of paper; bed clothes; tapestry [wall hangings], of textile; jersey [fabric]; drugget; curtains of textile or plastic; net curtains; zephyr [cloth]; banners; canvas for tapestry or embroidery; crepe [fabric]; crepon; furniture coverings of textile; fabrics for textile use; filtering materials of textile; wall hangings of textile; non-woven textile fabrics; plastic material [substitute for fabrics]; oilcloth for use as tablecloths; bedspreads; brocades; table napkins of textile; travelling rugs; hat linings, of textile, in the piece; bed covers; bed covers of paper; furniture coverings of plastic; towels of textile; fabric; hemp fabric; washing mitts; tablemats, not of paper; place mats, not of paper; calico; mosquito nets; billiard cloth; taffeta [cloth]; fabric, impervious to gases, for aeronautical balloons; jute fabric; fabric for footwear; ramie fabric; rayon fabric; fibreglass fabrics for textile use; fabric of imitation animal skins; linen cloth; lining fabric for shoes; chenille fabric; printed calico cloth; traced cloth for embroidery; bunting; knitted fabric; cotton fabrics; silk fabrics for printing patterns; woollen fabric; elastic woven material; cheese cloth; tulle; flags, not of paper; flannel [fabric]; tick [linen]; silk [cloth]; chevots [cloth]; labels of cloth.

26 – Lace and embroidery, ribbons and braid; buttons, hooks and eyes, pins and needles; artificial flowers; appliques [haberdashery]; fringes; spangles for clothing; false beards; brooches [clothing accessories]; pins, other than jewellery [jewelry (Am.)];

wreaths of artificial flowers; false hair; human hair; laces; artificial garlands; darning lasts; arm bands [clothing accessories]; frills [lacework]; trouser clips for cyclists; hair pins; heat adhesive patches for repairing textile articles; shoe fasteners; fastenings for clothing; fastenings for braces; belt clasps; zip fasteners; zip fasteners for bags; badges for wear, not of precious metal; competitors' numbers; needles for wool combing machines; shoemakers' needles; sewing needles; saddlers' needles; needle cases; cords for clothing; embroidery; gold embroidery; silver embroidery; haberdashery, except thread; hair ornaments; heat adhesive patches for decoration of textile articles [haberdashery]; bobbins for retaining embroidery floss or wool [not parts of machines]; sewing boxes; hooks [haberdashery]; embroidering crochet hooks; sewing thimbles; frills for clothing; hair bands; mica spangles; hair curling papers; wigs; feathers [clothing accessories]; birds' feathers [clothing accessories]; ostrich feathers [clothing accessories]; eyelets for clothing; picot [lace]; whalebones for corsets; top-knots [pompoms]; hair curlers, other than hand implements; shoe buckles; buckles [clothing accessories]; ornamental novelty badges [buttons]; hair nets; knitting needles; shoe ornaments, not of precious metal; festoons [embroidery]; artificial fruit; shuttles for making fishing nets; hair colouring caps; dress body fasteners; shoe laces; woollen laces; collar supports.

28 – Toy vehicles; novelties for parties, dances [party favors, favours]; spinning tops [toys]; puzzles; flying discs [toys]; dolls' houses; Christmas trees of synthetic material; kites; stuffed toys; plastic toys; plush toys; practical jokes [novelties]; parlor games; building games; board games; darts; dice games; ring games; kaleidoscopes; bladders of balls for games; fairground ride apparatus; rocking horses; swings; skittles [games]; bells for Christmas trees; dolls' rooms; confetti; explosive bonbons [christmas crackers]; dolls' beds; building blocks [toys]; dolls; bows for archery; marionettes; theatrical masks; teddy bears; scale model kits [toys]; scale model vehicles; kite reels; dolls' clothes; fencing weapons; twirling batons; paragliders; toy pistols; air pistols [toys]; rattles [playthings]; candle holders for christmas trees; christmas tree stands; water wings; floats for fishing; portable games with liquid crystal displays; soap bubbles [toys]; butterfly nets; landing nets for anglers; ornaments for Christmas trees, except illumination articles and confectionery; playing balls; paper party hats.

(260) AM 2019 97859 A

(800) 1403671

(151) 2018 03 13

(891) 2018 03 13

(731) Obshchestvo s ogranichennoy otvetstvennostyu "PROFI"

ul. Okruzhnaya, 1, Ekaterinburg, RU-620103  
Sverdlovskaya oblast, Russian Federation

(540)

## ALMACERAMICA

(591) Black, white

(511)

19 – Building stone, including pottery stone; building materials, not of metal; refractory construction materials, not of metal; mosaics for building; coatings [building materials]; wall claddings, not of metal, for building; wall linings, not of metal, for building; wainscoting, not of metal; building panels, not of metal; tiles, not of metal, for building, including ceramic tiles for walls, floors and ceilings, ceramic tiles for flooring and lining, ceramic tiles for flooring and facing, glazed ceramic tiles; floor tiles, not of metal, including tiles of ceramic granite, granite tiles; tile floorings, not of metal; wall tiles, not of metal; slabs, not of metal, for building; floors, not of metal; ceilings, not of metal; linings, not of metal, for building; sills, not of metal; mortar for building; angle irons, not of metal; foundry molds, not of metal.

(260) AM 2019 97860 A

(800) 1403691

(151) 2018 03 16

(891) 2018 03 16

(731) Limited liability company "5D"

687-y Proektiruemy proezd, d. 15, of. 8,  
g. Zelenograd, RU-124365 Moscow, Russian  
Federation

(540)

## 5Dsnack

(591) Black, white

(531) 27.05.01; 27.07.01

(511)

29 – Potato chips; low-fat potato chips; fruit chips.

30 – Cereal-based snack food, including chips from wheat and corn flour; crackers, including crackers from wheat and corn flour; petit-beurre biscuits, including dry cookies based on cereals.

(260) AM 2019 97861 A

(800) 1403713

(151) 2018 04 09

(891) 2018 04 09

(731) JANSSEN PHARMACEUTICA NV

Turnhoutseweg 30, B-2340 Beerse, Belgium

(540)

## AMPONEA

(591) Black, white

(511)

5 – Human pharmaceutical preparations for the prevention and treatment of viral diseases, auto-immune

and inflammatory diseases, cardiovascular and pulmonary diseases, central nervous system diseases, peripheral neurological system diseases, pain, dermatologic diseases, gastro-intestinal diseases, infectious-related diseases, metabolic diseases, oncologic diseases, ophthalmic diseases, respiratory diseases, digital ulcers, and cerebrovascular diseases; vaccines; anxiolytics; antiallergics; anti-infectives.

(260) AM 2019 97863 A

(800) 1403751

(151) 2018 04 02

(891) 2018 04 02

(731) Limited Liability Company "SHOE  
FACTORY ROMER"

Komsomol'skaya roscha street, 39, bld. 8,  
office 1, Kaluga, RU-248010 Kaluga region,  
Russian Federation

(540)

## Romer

(591) Black, white

(511)

25 – Boots; football boots; galoshes; boot uppers; heels; heelpieces for footwear; footwear; beach shoes; sports shoes; fittings of metal for footwear; lace boots; non-slipping devices for footwear; welts for footwear; wooden shoes; sandals; slippers; shoes.

(260) AM 2019 97864 A

(800) 1403763

(151) 2018 04 16

(891) 2018 04 16

(731) JANSSEN PHARMACEUTICA NV

Turnhoutseweg 30, B-2340 Beerse, Belgium

(540)

## ZURLYGA

(591) Black, white

(511)

5 – Human pharmaceutical preparations for the prevention and treatment of viral diseases, auto-immune and inflammatory diseases, cardiovascular and pulmonary diseases, central nervous system diseases, peripheral neurological system diseases, pain, dermatologic diseases, gastro-intestinal diseases, infectious-related diseases, metabolic diseases, oncologic diseases, ophthalmic diseases, respiratory diseases, digital ulcers, and cerebrovascular diseases; vaccines; anxiolytics; anti-allergics; anti-infectives.

(260) AM 2019 97865 A

(800) 1403873

(151) 2017 10 20

(891) 2017 10 20

(731) NAGWA LIMITED

Queen Caroline House, 3 High Street,  
Windsor, Berkshire SL4 1LD, United Kingdom

(540)

**NAGWA**

(591) Black, white

(511)

9 – Apparatus for recording, transmission or reproduction of sound or images; downloadable computer programs, computer software; software applications; mobile software applications, downloadable applications for multimedia devices; downloadable audio files; downloadable image files; podcasts; pre-recorded audio discs, CDs, audio tapes, audio cassettes, video discs, DVDs, video tapes; electronic databases; magnetic and electronic data carriers; downloadable electronic publications; all the aforesaid goods relating to, or having applications in, the provision of educational services, materials and content; downloadable educational content and information, provided in electronic or digital format, including text materials, videos, question banks, sample solutions, interactive programmes, animations and visualisations.

38 – Telecommunications; mobile telecommunication services; provision of access to a global computer network; streaming of audio, visual and audiovisual educational content and information via a global computer network; streaming of educational content and information; web access and portal services; providing access to computer databases; rental of access time to a computer database; electronic bulletin board services; provision of access to Internet platforms for educators and students to facilitate the creation, consumption and exchange of educational content and services; providing on-line facilities for real-time interaction with other computer users; provision of real-time audio and visual communications; providing access to blogs, podcasts, social networking forums, and online forums, all relating to educational services or containing educational content; information and advisory services relating to all of the aforesaid services, including information and advisory services provided on-line from a computer database or a global computer network.

41 – Education services; on-line education services; publication of non-downloadable educational content and information including text materials, videos, question banks, sample solutions, interactive programmes, animations and visualisations, all provided on-line from a computer database or a global computer network; publishing services; electronic publishing services; provision of non-downloadable e-publications; provision of real-time educational information and services, including via on-line video and audio communications between teachers and students; information and advisory services relating to all the aforesaid services, including information and advisory services provided on-line from a computer database or a global computer network.

(260) AM 2019 97866 A

(800) 1403892

(151) 2017 12 27

(891) 2017 12 27

(731) MENGHAI TEA FACTORY (General Partnership)

No.1, New Tea Road, Menghai Town,  
Menghai County, Xishuangbanna Dai  
Autonomous Prefecture, Yunnan Province,  
China

(540)

**TAETEA**

(591) Black, white

(531) 27.05.01; 27.05.17

(511)

30 – Tea; tea substitutes; iced tea; tea-based beverages; dough fried in beef fat with sugar and sesame; fried dough made from broomcorn millet flour; soya flour; ice cream; candy; honey; milky tea (not milk based).

32 – Non-alcoholic fruit nectars; beer; plant beverages; waters [beverages]; mineral water [beverages]; fruit juice; non-alcoholic fruit beverages; fruit-based beverages containing lactic acid; bean beverages.

43 – Teahouse; canteen services; restaurant services; bar services; café services; snack-bar services; cafeteria services; food and drink catering; retirement home services; motel services.

(260) AM 2019 97869 A

(800) 836751

(151) 2004 04 09

(891) 2018 03 30

(731) UBISOFT ENTERTAINMENT

107 Avenue Henri de Freville, F-35204  
RENNES CEDEX, France

(540)

**UBISOFT**

(591) Black, white

(531) 27.05.01

(511)

9 – Appliances for recording, transmitting, receiving; magnetic, optical, digital and electronic recording media; magnetic, optical and digital disks; personal digital assistant, computer memory units; printed circuits; computers; computer peripheral equipment namely screens, keyboards, computer mice, control consoles and levers, digital, optical and magnetic disk and diskette drives, digitizers, printers, modems, telephony, fax and telecommunication apparatus; local networks, recorded computer programs; computer games software; electronic game consoles, magnetic, optical and digital media for



computer programs; appliances for games intended for television use; CD-ROMs; compact disks.

(260) AM 2019 97870 A  
 (800) 1073487  
 (151) 2011 03 08  
 (891) 2018 05 08  
 (731) SCHNEIDER SCHREIBGERÄTE GMBH  
 Schwarzenbach 9, 78144 Schramberg,  
 Germany  
 (540)

**Schneider** 

(591) Black, white  
 (531) 26.01.12; 26.11.13; 27.05.01  
 (511)  
 16 – Writing instruments, in particular paste, gel and ink ballpoint pens, felt-tip pens, pencils, mechanical pencils, fountain pens, ink cartridges, corrector pens, markers; paper and stationery, as far as included in class 16, in particular drawing paper, writing paper, exercise books, envelopes.

(260) AM 2019 97871 A  
 (800) 1074202  
 (151) 2011 03 08  
 (891) 2018 05 08  
 (731) SCHNEIDER SCHREIBGERÄTE GMBH  
 Schwarzenbach 9, 78144 Schramberg, Germany  
 (540)



(591) Black, white  
 (531) 26.01.12; 26.11.13  
 (511)  
 16 – Writing instruments, in particular paste, gel and ink ballpoint pens, felt-tip pens, pencils, mechanical pencils, fountain pens, ink cartridges, corrector pens, markers; paper and stationery, as far as included in class 16, in particular drawing paper, writing paper, exercise books, envelopes.

(260) AM 2019 97872 A  
 (800) 1329101  
 (151) 2016 05 09  
 (891) 2018 02 12  
 (731) DEHA MAĞAZACILIK EV TEKSTİLİ  
 ÜRÜNLERİ SANAYİ VE TİCARET  
 ANONİM ŞİRKETİ

Gülbahar Mah. Avni Dilligil Sk., Çelik İş  
 Merkezi B/Blok No:9 G.Kat, Mecidiyeköy,  
 Şişli, İSTANBUL, Turkey

(540)

**RÉPERTOIRE**

(591) Black, white  
 (531) 27.05.01  
 (511)  
 3 – Bleaching and cleaning preparations, detergents other than for use in manufacturing operations and for medical purposes, laundry bleach, fabric softeners for laundry use, stain removers, dishwasher detergents, perfumery; cosmetics; fragrances; deodorants for personal use and animals, soaps, dental care preparations; dentifrices, denture polishes, tooth whitening preparations, mouth washes, not for medical purposes; abrasive preparations; emery cloth; sandpaper; pumice stone; abrasive pastes; polishing preparations for leather, vinyl, metal and wood, polishes and creams for leather, vinyl, metal and wood, wax for polishing.

5 – Sanitary preparations for medical use; hygienic pads; hygienic tampons; plasters; materials for dressings; diapers, including those made of paper and textiles; deodorants, other than for human beings or for animals; air deodorising preparations.

35 – Advertising, marketing and public relations; organization of exhibitions and trade fairs for commercial or advertising purposes; office functions; secretarial services; arranging newspaper subscriptions for others; compilation of statistics; rental of office machines; systemization of information into computer databases; telephone answering for unavailable subscribers; business management, business administration and business consultancy; accounting; commercial consultancy services; personnel recruitment, personnel placement, employment agencies, import-export agencies; temporary personnel placement services; auctioneering; the bringing together, for the benefit of others, a variety of goods, namely, bleaching and cleaning preparations, detergents other than for use in manufacturing operations and for medical purposes, laundry bleach, fabric softeners for laundry use, stain removers, dishwasher detergents, perfumery, cosmetics, fragrances, deodorants for personal use and animals, soaps, dental care preparations, dentifrices, denture polishes, tooth whitening preparations, mouth washes, not for medical purposes, abrasive preparations, emery cloth, sandpaper, pumice stone, abrasive pastes, polishing preparations for leather, vinyl, metal and wood, polishes and creams for leather, vinyl, metal and wood, wax for polishing, sanitary preparations for medical use, hygienic pads, hygienic tampons, plasters, materials for dressings, diapers, including those made of paper and textiles, deodorants, other than for human beings or for animals, air deodorising preparations, electric kitchen machines for chopping, grinding, crushing,



mixing and mincing foodstuff, washing machines, laundry washing machines, dishwashers, spin driers (not heated), electric cleaning machines for cleaning floors, carpets or floorings, vacuum cleaners and parts thereof, forks, spoons, knives and non-electric cutters, slicers, peelers for kitchen use, including those made of precious metals, tools and apparatus included in this class for personal beauty care use, tools and apparatus included in this class for shaving, epilation, manicure and pedicure, electric hand implements for straightening and curling hair, scissors, electric or non-electric irons, steam irons, jewellery, imitation jewellery, gold, precious stones and jewellery made thereof, cufflinks, tie pins, statuettes and figurines of precious metal, clocks, watches and chronometrical instruments, chronometers and their parts, watch straps, paper towels, toilet paper, paper napkins, goods made of leather, imitations of leather or other materials, designed for carrying items, included in this class, bags, wallets, boxes and trunks made of leather or stout leather, keycases, trunks [luggage], suitcases, furniture, made of any kind of material, mattresses, pillows, air mattresses and cushions, not for medical purposes, sleeping bags for camping, water beds, not for medical purposes, mirrors, display boards, frames for pictures and paintings, identification plates, identification tags, nameplates, identification labels made of wood or synthetic materials, ornaments and decorative goods of wood, cork, reed, cane, wicker, horn, bone, ivory, whalebone, shell, amber, mother-of-pearl, meerschaum, beeswax, plastic or plaster, included in this class, namely figurines, holiday ornaments for walls and sculptures, all made of wood, cork, reed, cane, wicker, horn, bone, ivory, whalebone, shell, amber, mother-of-pearl, meerschaum, beeswax, plastic or plaster, hand-operated non-electric cleaning instruments and appliances, brushes, other than paintbrushes, steel chips for cleaning, sponges for cleaning, steel wool for cleaning, cloths of textile for cleaning, gloves for dishwashing, non-electric polishing machines for household purposes, brooms for carpets, mops, toothbrushes, electric toothbrushes, dental floss, shaving brushes, hair brushes, combs, non-electric household or kitchen utensils, included in this class, [other than forks, knives, spoons], services [dishes], pots and pans, bottle openers, flower pots, drinking straws, non-electric cooking utensils, ironing boards and shaped covers therefor, drying racks for washing, clothes drying hangers, ornaments and decorative goods of glass, porcelain, earthenware or clay, included in this class, namely statues, figurines and vases, all made of glass, porcelain, earthenware or clay, perfume burners, perfume sprayers, perfume vaporizers, electric or non-electric make-up removing appliances, powder puffs, toilet cases, woven or non-woven textile fabrics, textile goods for household use, curtains, bed covers, sheets (textile), pillowcases, blankets, quilts, towels, arti-

cial flowers, artificial fruits, hair pins, hair buckles, hair bands, decorative articles for the hair, not made of precious metal, wigs, hair extensions, electric or non-electric hair curlers, other than hand implements, enabling customers to conveniently view and purchase those goods, such services may be provided by retail stores, wholesale outlets, by means of electronic media or through mail order catalogues.

(260) AM 2019 97873 A

(800) 1378095

(151) 2017 10 06

(891) 2018 04 23

(731) MANCHESTER GROUP LTD

Suite 102, Ground Floor, Blake Building,  
Corner Eyre & Hutson Streets, Belize City,  
Belize, Belize

(540)

## BUCHERON

(591) Black, white

(511)

30 – High-protein cereal bars; biscuits; pancakes; spring rolls; waffles; cake frosting; rice-based snack food; cereal-based snack food; vegetal preparations for use as coffee substitutes; fruit jelly candy; confectionery for decorating Christmas trees; pastries; chocolate-coated nuts; peanut butter confectionery chips; ice cream; cocoa products; gruel, with a milk base, for food; ketchup [sauce]; candy; coffee; unroasted coffee; custard; groats for human food; corn, milled; corn, roasted; edible ices; pasta; honey; royal jelly; food flour; dessert mousses [confectionery]; chocolate mousse; muesli; cocoa-based beverages; coffee beverages with milk; coffee-based beverages; tea-based beverages; chocolate-based beverages with milk; chocolate-based beverages; herbal infusions; nutmegs; cookies; pies; pizza; popcorn; propolis for food purposes; gingerbread; puddings for use as desserts; fruit coulis; ravioli; chewing gum; sweetmeats; sauces; spices; crackers; breadcrumbs; sushi; sandwiches; halva; bread; grain-based chips; chicory based coffee substitute; tea; iced tea; chocolate.

(260) AM 2019 97907 A

(800) 1403964

(151) 2017 11 14

(891) 2017 11 14

(731) GARED s.r.o.

Družstevní 278, CZ-517 01 Solnice, Czech  
Republic

(540)



(591) Grey and red

(531) 23.03.10; 23.03.13; 23.03.15; 27.05.04;  
27.05.19; 29.01.12

(511)

6 – Armor-plating, armoured plating, armor plate, armor-plating of metal, casings of metal.

9 – Protective clothing made from ballistic resistant materials, bullet-proof clothing, bullet-proof waist-coats [vests (Am.)], protective masks, protective visors, gloves for protection against accidents, safety tarpaulins, protective helmets, protective shoes, goggles, cathodic protection apparatus, clothing for protection against fire, safety nets, protective face-shields for protective helmets, protective helmets for sports, workmen's protective face-shields, protective and safety equipment, clothing for protection against accidents, irradiation and fire, lenses for protective face shields, gloves for protection against X-rays for industrial purposes, balaclavas for protection against accidents, irradiation and fire, flame-retardant balaclavas, survival suits, fire-resistant flying suits, sport bags adapted [shaped] to contain protective helmets, protective clothing [body armour], protection devices for personal use against accidents, chest protectors for the prevention of accident or injury [other than specifically adapted for sport], elbow protectors for use against accidents [other than sports articles], shin guards for protection against injury (other than sports articles or parts of sports suits), abdomen protectors for protection against injury [other than parts of sports suits or adapted for use in specific sporting activities].

25 – Clothing combinations, camouflage vests, balaclavas.

---

(260) AM 2019 97909 A

(800) 1403991

(151) 2018 03 19

(891) 2018 03 19

(731) SANOFI

54 rue La Boétie, F-75008 Paris,  
France

(540)

**ZYNQUISTA**

(591) Black, white

(511)

5 – Pharmaceutical preparations for the treatment of diabetes.

---

(260) AM 2019 97910 A

(800) 1404001

(151) 2017 02 10

(891) 2017 02 10

(731) WULF GAERTNER AUTOPARTS AG

Merkurring 111, 22143 Hamburg,  
Germany

(540)

**MEYLE**

(591) Blue.

(531) 27.05.02; 27.05.17; 29.01.04

(511)

1 – Antifreeze; window cleaning preparations; care products for motor vehicles; brake fluid.

4 – Lubricants; industrial grease; technical oil.

6 – Metal hardware and small items of metal hardware, namely screws, nuts, snap rings [fasteners], cotter pins, grease nipples; ducts of metal for ventilating and air conditioning installations; collars of metal for fastening pipes; metal lockers for vehicles; keys; clamping fixture made of metal; tanks of metal; cowls of metal; hose couplings; hose clamps.

7 – Locking cylinders; parts for the cooling of automobiles, namely radiators; parts for engines of automobiles, as far as included in this class, in particular, filters, valves, pistons, piston segments, cylinder liners, slide bearings, chains, toothed wheels, diesel injection pumps; machine parts for the engine lubrication as far as included in this class, in particular, oil pumps, oil supply pipes, oil sumps, oil drain plugs; engine bearings; V-belts; transmission bearings; wash water pumps; parts for the mechanical engine management as far as included in this class, in particular, crank cases, crank shafts, belts for motors and engines; water pumps [engine parts] for vehicles; parts for passenger automobiles, trucks, buses and their trailers, namely engine electrics, engine housings, crank mechanisms, motor controls, parts for engine cooling and lubrication as well as for the fuel supply, engine bearings; hydraulic pumps and engines, hydraulic parts; antiriction bearings for machines; ball bearings; bearings for transmission shafts; bearings; belts for motors and engines; compressors for machines; control cables and connection rods; connecting rods for machines, motors and engines; control mechanisms for machines, engines and motors; pneumatic controls for machines, motors and engines; dynamo belts; dynamo brushes; dynamos; fans for motors and engines; fan belts for motors and engines; filters for cleaning cooling air, for engines; filters [parts of machines and engines]; generators of electricity; lubricating pumps; lubricators [parts of machines]; speed governors for machines, engines and motors; universal joints (cardan joints); all the aforesaid goods as components for automatic drive train and/or electric vehicles; pistons and cylinders for combustion engines; ignition devices for internal combustion engines; glow systems and glow plugs for combustion engines; electric starters for motors and engines; power tools; glow plugs for combustion engines, particularly for the usage in automobiles, other cars, ma-

rine engines and agricultural machines; electric door openers; electric door closers; parts for the cooling of automobiles, particularly radiators, fan blades and viscoclutches; replacement parts for land vehicles, namely for passenger automobiles and trucks, busses and their trailers, namely motor housings, motor controls, parts for motor cooling and motor lubrication as well as fuel supply; fans for motors and engines; radiators; fan belts; starters for motors and engines; mechanical control elements for motors; starters for vehicles; belt pulleys and sprockets; belt tensioners; gaskets for hydraulic pumps for use in mining and construction of machines and land vehicles; oil seals for hydraulic cylinders for use in mining and construction machines and land vehicles.

9 – Electronic switching and control devices for vehicles, particularly relays, commutators, fuses, small motors, signals and wash water pump; parts for passenger vehicles, trucks and buses and their trailers, namely electric cables, control devices, sensors and checking instruments; control devices and control units with electric components for vehicles, particularly for the usage with hydraulic pumps; apparatus and instruments for switching, converting, storing and regulation of electricity; data processing apparatus; computers; computer software; vehicle batteries; battery chargers; chargers for electric batteries; holders for electric coils; electric display apparatus; plates for batteries; automatic indicators of low pressure in vehicle tires; simulators for the steering and control of vehicles; speed indicators; navigation apparatus for vehicles; vehicle on-board computer apparatus; electrochemical cells and batteries; automobile stereo systems and accessories as far as included in class 9; sensors; anti-interference devices (electricity); low and high voltage lines; connectors (electricity); condensers (capacitors); contact sets (electric); sensors for heating apparatus; automotive electronics; electric connecting devices; radio interference filters.

11 – Lighting installations for automobiles; lights for automobiles and their parts, as far as included in this class, in particular, sockets for electric bulbs, lamp glasses and vehicle headlights; taillights for vehicles; heating installations, air-conditioning installations and ventilation installations for vehicles and their parts, as far as included in this class, in particular, filters, ventilating fans, valves, heat pumps, heat regenerators, heat accumulators, heat exchangers (other than parts of machines), expansion tanks; ventilating fans and parts thereof (as far as included in this class 11); pressure water tanks; defrosters for vehicles; heating apparatus for defrosting windows of vehicles; air filtering installations; air drying apparatus; air conditioning and heating installations; automotive supplement heating apparatus and air conditioning systems and accessories; heating apparatus, heating burners and accessories; parts for au-

tomotive air conditioning installations, namely dryers and supply lines; replacement parts for land vehicles, namely for passenger cars and trucks, buses and their trailers, namely heating and air-conditioning installations.

12 – Shock absorbers; springs; rims for vehicle wheels; steering wheels; parts of motor vehicle axles; parts of the vehicle steering mechanism, particularly drag-links, tie rods and joints; parts of vehicle drives, particularly coupling elements, wheel bearings and constant velocity joints; vehicle springs, particularly concussion springs and shock absorbers; gas springs for automobiles, particularly for engine hoods and tailgates; vehicle body components, particularly exterior mirrors; automotive spare parts, particularly for air brakes; brake parts, particularly brake pads and brake discs; parts of vehicle drives, particularly propeller shaft joints; automobile engines; chains; viscous couplings; small motors; all the aforesaid goods as far as included in this class as replacement parts or repair sets; parts for motor vehicles, as far as included in this class, in particular, parts for vehicle axles, parts for vehicle brakes, particularly pads and disks, parts of vehicle steering mechanisms, particularly drag-links, tie rods and joints; parts of vehicle drives, particularly coupling elements, wheel bearings and constant velocity joints; electronic switching and control devices for vehicles, namely small engines; replacement parts for land vehicles, as far as included in this class, namely, for passenger cars, trucks and busses and their trailers, particularly motors, parts for land vehicles, namely for passenger cars, trucks and busses and their trailers, namely clutches, gear boxes, tie rods, wheels, transverse links, stabilizer bars, brakes; vehicles; land vehicles; electric vehicles; electric motors for land vehicles; axles for vehicles; electric motor vehicle bodies; brake pads and brake linings for vehicles; brake calipers, brake installations, bumpers, clutches, differential gears, driving toothed wheels, gear change selectors; gearboxes, gear shafts, hydraulic cylinders and motors, supporting bearings, all for vehicles; vehicle chassis; manual and power steering apparatus, personal safety restraints, seats, sliding roofs, steering columns, all for vehicles; hubs for vehicle wheels; vehicle wheels; car-top luggage carriers, safety belts for vehicle seats, mudguards, deflectors, direction indicators, hatches, horns, rearview mirrors, luggage carriers for vehicles, ski carriers for vehicles, anti-skid chains, headrests, safety seats for children, for vehicles, stabilizers, steering linkage, suspensions, drawbars, tension bars, motor car windows, window winding mechanisms for vehicle windows, windshield wipers, all for vehicles; arm rests for vehicles; balance weights for vehicle wheels; mechanical control units for breaks, clutches, gas pedals and for gear boxes, engine mounts, all for vehicles; protective covers, radiator grills, fluid reservoirs, stowage boxes and

stowage compartments, spare wheel carriers, all being parts of vehicles; covering panels for vehicles; automobile accessories, as far as included in this class; direction signals for automobiles; injection pumps for automobiles; water pumps for automobiles; constant velocity joints; gaskets for hydraulic cylinders for use in mining and construction machines and land vehicles; gaskets for hydraulic motors for use in mining and construction machines and land vehicles; gaskets for hydraulic shock absorbers for land vehicles; rubber moulded parts for automobiles, particularly silent blocks, profile frames, weather strippings, holding rings for exhaust systems, axle boots and gasket sets; all aforesaid goods as far as included in this class.

17 – Rubber, rubber substitutes, and products made thereof, namely gaskets and tubes for technical purposes, packing and sealing materials; heat protection and insulating materials; tubes; valves of rubber or vulcanized fiber (not including machine parts); gaskets; junctions, not of metal, for flexible pipes; packing containers of rubber; composite seals.

(260) AM 2019 97911 A

(800) 1404006

(151) 2017 05 10

(891) 2017 05 10

(731) TORUŃSKIE ZAKŁADY MATERIAŁÓW  
Opatunkowych, Spółka Akcyjna  
Żółkiewskiego 20/26, PL-87-100 Toruń, Poland

(540)

**tzmo group**

(591) Black, white

(531) 27.05.01

(511)

3 – Cotton wool for cosmetic purposes, goods made from cotton wool for cosmetic purposes, cotton sticks for cosmetic purposes, cosmetic pads, cotton pads, tissues impregnated with cosmetic liquids, wipes for removing make-up, lotion, creams for body care, lotions for body wash, cosmetics for children, bath lotion, baby oil, baby powder, shampoo, cosmetics kits for children.

5 – Sanitary towels, panty liners, menstruation tampons, lactation pads, tissues impregnated with antibacterial preparations, liquids for intimate hygiene, urological pads, lactation pads, urological pads for men, anatomic pads for incontinence women, disposable diapers for incontinence persons, disposable diaper-pants for incontinence persons, disposable pants for incontinence persons, disposable diapers made from paper and/or cellulose, disposable diaper-pants made from paper and/or cellulose, gynaecological towels, compresses, set of compresses, dressings, gauze dressing, eye dressing pads, nose dressings, cotton and cotton wool for medical purposes,

goods made from cotton or cotton wool for medical purposes, cotton wool made from cellulose for medical purposes, plasters, adhesive tapes, adhesive tapes with sterilization indicators, tampons for medical purposes, disposable sterile packagings, diapers for baby made from textile, cotton and cotton wool for hygienic purposes, goods from cotton or cotton wool for hygienic purposes, goods from cotton wool for hygienic purposes; operation serviettes.

10 – Elastic bandages, supporting bandages, plaster casts for orthopaedic purposes, lining beneath cast bandages, medical bedding, namely protective bedclothes, bed underpads, bed underpads for incontinence persons, surgical gowns, apron for operating, caps for surgeon, gloves for medical purposes, liquid pouches, pouches for organs, medical trays, operating foil, tubular bandage sleeves, clips for bandages, surgical shoe covers, protective clothing for medical purposes, orthopedic paddings, surgical shoe covers, protective clothing for medical purposes.

16 – Disposable bibs made from paper, disposable paper napkins, toilet paper, paper towels, tissues of paper for removing make-up, bags and purses for packaging, disposable reels for packaging.

24 – Bedclothes, sheets, textile napkins, handkerchiefs for children.

25 – Clothing made from paper, disposable clothing, waterproof clothing, nursing caps, aprons, reusable clothing, bibs made from textile materials.

(260) AM 2019 97912 A

(800) 1404028

(151) 2017 09 25

(891) 2017 09 25

(731) ASİST ÖĞRETİM KURUMLARI ANONİM  
ŞİRKETİ  
Rüzgarlıbahçe Çınar Sokak No:3 K:6,  
Demirtaş Plaza Kavacık Beykoz, İstanbul,  
Turkey

(540)



(591) Black, white

(531) 05.01.03; 05.01.05; 05.01.16; 20.01.03;

27.05.09; 27.05.10; 27.07.11; 29.01.03;  
29.01.12

(511)

16 – Plastic materials for packaging and wrapping purposes, paper and cardboard, paper and cardboard for packaging and wrapping purposes, cardboard boxes, paper towels, toilet paper, paper napkins, printing blocks and types, bookbinding material, printed publications, printed matter, books, magazines, newspapers, bill books, printed dispatch notes, printed vouchers, calendars, posters, photographs [printed], paintings, stickers [stationery], stationery, office stationery, instructional and teaching material [except furniture and apparatus], writing and drawing implements, artists' materials, paper products for stationery purposes, adhesives for stationery purposes, pens, pencils, erasers, adhesive tapes for stationery purposes, cardboard cartons [artists' materials], writing paper, copying paper, paper rolls for cash registers, drawing materials, chalkboards, painting pencils, watercolors [paintings], office requisites, paint rollers and paintbrushes for painting.

41 – Education and training, educational services provided by schools; arranging and conducting of conferences, congresses and seminars, sporting and cultural activities, entertainment, ticket reservation and booking services for entertainment, sporting and cultural events, including ticket reservation and booking services for theatres, cinemas, museums and concerts, photography, news reporters services, photographic reporting services, publication and editing of printed matter, including magazines, books, newspapers, other than publicity texts, electronic publication services, production of movie films, radio and television programmes, translation services.

(260) AM 2019 97913 A

(800) 1404037

(151) 2017 11 15

(891) 2017 11 15

(731) WORLD OF DANCE TOUR INC.

111 N. Harbor Blvd., Suite B, Fullerton  
CA 92832, USA

(540)

## **WORLD OF DANCE**

(591) Black, white

(526) DANCE

(511)

9 – Audio and video recordings featuring dance performances, music and entertainment in the field of artistic reality television competitions; video recordings featuring dance performances, music and entertainment in the field of artistic reality television competitions; digital media, namely, pre-recorded DVDs, downloadable audio and video recordings, and CDs featuring and promoting dance performan-

ces, music and entertainment in the field of artistic reality television competitions; downloadable video recordings featuring dance performances, music and entertainment in the field of artistic reality television competitions; downloadable multimedia file containing artwork, text, audio, video, games, and Internet web links relating to dance performances, music and entertainment in the field of artistic reality television competitions; pre-recorded CDs, video tapes, laser disks and DVDs featuring dance performances, music and entertainment in the field of artistic reality television competitions; visual and audio recordings featuring dance performances, music and entertainment in the field of artistic reality television competitions; virtual reality game software; augmented reality software for use in mobile devices for integrating electronic data with real world environments for the purpose of games and entertainment; electronic game programs; computer game software for use on mobile and cellular phones; interactive multimedia computer game programs.

25 – Athletic apparel, namely, tee shirts, sweat shirts, sweat pants, hoodies, jackets, footwear, hats, caps and beanies.

41 – Providing a website featuring entertainment information (terms considered too vague by the International Bureau – Rule 13 (2) (b) of the Common Regulations); providing a website featuring non-downloadable photographs in the field of dance (terms considered too vague by the International Bureau – Rule 13 (2) (b) of the Common Regulations); providing a website featuring non-downloadable videos in the field of dance (terms considered too vague by the International Bureau – Rule 13 (2) (b) of the Common Regulations); providing entertainment services in the nature of ongoing Internet protocol television (IPTV) television programming segments in the field of dance; providing information and news in the field of current events relating to dance; syndication of television programs featuring dance performances, music and entertainment in the field of artistic reality television competitions (terms considered too vague by the International Bureau – Rule 13 (2) (b) of the Common Regulations); entertainment in the nature of an ongoing television miniseries in the field of dance; entertainment services in the nature of development, creation, production, distribution, and post-production of dance shows; entertainment services, namely, arranging and conducting of competitions in the field of dance; entertainment services, namely, conducting contests; entertainment services, namely, the provision of continuing shows featuring dance performances, music and entertainment in the field of artistic reality television competitions delivered by television, satellite, video media, and the Internet; production and distribution of videos in the field of dance; production of DVDs, videotapes and television programs featuring dance



performances, music and entertainment in the field of artistic reality television competitions; provision of information relating to live performances, road shows, live stage events, theatrical performances, live music concerts and audience participation in such events; virtual reality game services provided on-line from a computer network; entertainment services, namely, the provision of continuing shows featuring dance performances, music and entertainment in the field of artistic reality television competitions delivered by television, satellite, film, audio, video, Internet, and virtual reality media; providing online augmented reality games; augmented reality video production; entertainment services, namely, providing an on-line computer game; providing an on-line computer game in the field of dance.

(260) AM 2019 97914 A

(800) 1404043

(151) 2017 12 01

(891) 2017 12 01

(731) MARLOW FOODS LIMITED

Station Road, Stokesley, North Yorkshire  
TS9 7AB, United Kingdom

(540)



(591) Green, white, orange

(531) 25.03.01; 25.03.03; 26.11.01; 26.11.06;  
26.11.13; 27.05.10; 27.05.24; 29.01.13

(511)

5 – Nutritional and dietetic food products for use in body maintenance and weight control for medical purposes, including meal replacement and nutritional drinks in powder mix and liquid form.

16 – Printed matter, books and periodicals concerning the use of protein, including mycoprotein, in food preparation.

29 – Formed textured fungal protein and vegetable protein, including for use a meat substitute, including mycoprotein; savouries predominately consisting of vegetable or dairy products and containing protein, including mycoprotein; ready made meals consisting primarily of vegetables or meat substitutes; ready made meals consisting primarily of vegetables or meat substitutes and containing protein, including mycoprotein, including those with vegetables; dietetic and slimming foodstuffs and substances predominately containing vegetables or meat substitutes containing high quantity of protein, including mycoprotein; prepared meals and snacks for human consumption but not included in other classes; prepared frozen foods and meals consisting primarily of

vegetables and meat substitutes containing protein, including mycoprotein; dairy products and substitutes therefor; cheese; cheese substitutes; pâtés; nut-based, dairy-based, vegetable-based spreads, margarine and vegetable oils; milk drinks; milk drink substitutes; milk shakes; shakes of milk substitutes; milk shake powder; powdered milk or milk substitutes; desserts and dessert puddings of milk substitutes; desserts made primarily from milk products and milk substitutes; yoghurts.

30 – Prepared meals and snacks for human consumption but not included in other classes; prepared rice dishes; prepared pasta dishes; pastry products; dry seasoning mixes; sandwiches; prepared frozen meals consisting primarily of pasta, rice, and cereal; chocolate desserts; dessert puddings; dessert chocolate toppings and topping syrups; mousse confections; chocolate-based spreads; prepared meals and snacks included in this class; mixes for cheese sauce, mixes for white sauce, mixes for sauces, mixes for cakes, mixes for bread and pizza dough, mixes for cookies, mixes for muffins, mixes for doughnuts; sauces; cooking sauces; prepared frozen meals consisting primarily of flour, rice, pasta, or noodles which include protein, including mycoprotein, and vegetables; dietetic foodstuffs in this class and tea-based, coffee-based, chocolate-based beverages, not for medical use; namely prepared meals and snacks for human consumption but not included in other classes, prepared rice dishes, prepared pasta dishes, prepared noodle dishes, pizzas, sauces, cooking sauces, processed grains, boxed lunches consisting of rice, boxed lunches consisting of pasta, boxed lunches consisting of noodles and rice crisps; slimming foodstuffs, not for medical use, namely prepared meals and snacks for human consumption but not included in other classes, prepared rice dishes, prepared pasta dishes, prepared noodle dishes, pizzas, sauces, cooking sauces, processed grains, boxed lunches consisting of rice, boxed lunches consisting of pasta, boxed lunches consisting of noodles and rice crisps; slimming beverages, namely, tea and tea-based beverages not for medical use; ice creams; frozen ices; ice desserts; frozen yoghurt; cereal bars; cereal based food bars; confectionery, sweets, toffees; chocolates; chocolate products; chocolate bars; flapjacks; muffins; cakes; cake bars; dessert puddings.

43 – Information and advice concerning cooking protein, including mycoprotein; providing recipe information over a global computer network.

44 – Information and advice concerning dietary and health aspects of using protein, including mycoprotein, for food.

(260) AM 2019 97915 A

(800) 1404078

(151) 2017 11 10

(891) 2017 11 10  
 (731) MAVIC S.A.R.L.  
 11, rue de l'Industrie, L-8399 Windhof,  
 Luxembourg  
 (540)



(591) Black, white  
 (531) 03.01.16; 03.01.24  
 (511)  
 25 – Clothing, footwear, headgear; tee-shirts; polo shirts, sweaters; hooded sweaters; jackets [clothing], sweatjackets; caps [headwear]; caps; shawls; headbands [clothing]; cuffs; costumes; belts [clothing]; underwear; socks; coveralls; gloves [clothing]; sweatbands for the wrist.

(260) AM 2019 97946 A  
 (800) 1125979  
 (151) 2012 06 06  
 (891) 2018 04 09  
 (731) Obshchestvo s ogranichennoy  
 otvetstvennostyu "Predpriyatie VGT"  
 dom 2, Litera M-M1-M2, ofis 1,  
 ul.Sovetskaya, rabochiy poselok Lesnoy, raion  
 Pushkinskiy, RU-141231 Moskovskaya oblast,  
 Russian Federation

(540)

**VGT**

(591) Black, white  
 (511)  
 1 – Adhesives for industrial purposes.

2 – Glazes [paints, lacquers]; wood stains; bactericidal paints; fireproof paints; anti-fouling paints; enamels for painting; paints; coatings [paints]; wood coatings [paints]; anti-corrosive preparations; protective preparations for metals; wood mordants; badi-geon; anti-rust preparations for preservation; wood preservatives; fixatives [varnishes]; enamels [varnishes].

16 – Glue for stationery or household purposes; adhesives [glues] for stationery or household purposes.

17 – Insulating materials; sealant compounds for joints; substances for insulating buildings against moisture.

(260) AM 2019 97947 A  
 (800) 1159822  
 (151) 2013 02 06  
 (891) 2018 05 15  
 (731) MONDELEZ EUROPE GMBH  
 Lindbergh-Allee 1, CH-8152 Glattpark,  
 Switzerland  
 (540)



(591) Green, pink, orange, violet and purple  
 (531) 05.05.20; 26.01.04; 26.01.15; 26.01.21  
 (511)

30 – Cocoa, chocolate; bakery, pastry and confectionery products, any of these goods containing chocolate or cocoa flavoring.

35 – Business consultancy for companies, business management assistance.

39 – Provision of information relating to tourist travel regarding environmental protection, responsible management of natural resources, long-term protection, biodiversity and social, economic matters, relating to the workplace and in connection with standards for environmental protection in the field of tourism.

41 – Education, seminars and conferences, publication of reports relating to educational research and information in relation to sustainable environmental protection.

42 – Testing, analysis, evaluation and certification of products of others, of technology and practices for compliance with standards for environmental protection, responsible natural resource management, long-term protection, biodiversity; assessment of compliance with standards of third-party volunteers in the field of environmental protection, responsible natural resource management, long-term protection, questions relating to social issues and connected with work in agriculture, forestry and tourism.

44 – Agricultural, horticultural and forestry services, advice and consultancy with regard to the use of soil and forests, provision of information relating to forestry.

(260) AM 2019 97952 A  
 (800) 1213842  
 (151) 2014 06 13

(891) 2018 05 08  
 (731) BOETTO Daniel  
 50 bd Anatole de la Forge, F-13014 Marseille,  
 France  
 (540)

## LE SERAIL

(591) Black, white  
 (531) 27.05.01  
 (511)  
 3 – Marseilles soaps (general-purpose soaps), scented or non-scented toilet soaps.

(260) AM 2019 97953 A  
 (800) 1314275  
 (151) 2016 05 18  
 (891) 2018 05 03  
 (731) ALTERNA HOLDINGS CORP  
 5800 Bristol Parkway, Culver City CA 90230,  
 USA  
 (540)

## ALTERNA

(591) Black, white  
 (511)  
 3 – Non-medicated hair care preparations, namely, shampoos, conditioners and solutions; cosmetic preparations for the hands and body, namely, sunscreens; styling and setting lotions, gels foams, sprays, moisturizers, rinses, and cosmetic preparations for the hands and body, namely, skin and body creams; shampoos and conditioners.

(260) AM 2019 97954 A  
 (800) 1379687  
 (151) 2017 10 24  
 (891) 2018 04 26  
 (731) HENKEL AG & CO. KGAA  
 Henkelstrasse 67, 40589 Düsseldorf, Germany  
 (540)

## FRESHLIGHT

(591) Black, white  
 (511)  
 3 – Non-medicated soaps; perfumery; essential oils; non-medicated cosmetics; non-medicated hair lotions.

(260) AM 2019 97955 A  
 (800) 1399844  
 (151) 2017 11 01  
 (891) 2018 05 11  
 (731) BP P.L.C.  
 1 St James's Square, London SW1Y 4PD,  
 United Kingdom  
 (540)

## KEEP ADVANCING

(591) Black, white  
 (511)  
 1 – Chemicals for use in the petrochemicals Industry; purified terephthalic acid.

4 – Fuels; engine oils; electrical energy; electrical energy from renewable sources.

37 – Vehicle service station services [refuelling and maintenance]; recharging services for electric vehicles; refuelling services; vehicle refuelling station services.

39 – Distribution of energy; distribution of renewable energy; transport by pipeline.

42 – Providing carbon dioxide offset services for the reduction of overall carbon dioxide and other greenhouse gas production (terms considered too vague by the International Bureau – rule 13 (2) (b) of the Common Regulations); advisory and consultancy services relating to the design and development of chemical and mechanical processes for reducing the quantity of carbon dioxide in the atmosphere; technical research in the field of carbon offsetting; technological consulting services in the field of alternative energy generation; advisory services relating to energy efficiency.

(260) AM 2019 98017 A  
 (800) 1405169  
 (151) 2017 12 22  
 (891) 2017 12 22  
 (731) PRYVATNE PIDPRYIEMSTVO  
 "VYROBNYCHO-TORHOVA KOMPANIJA  
 "LUKAS"  
 vul. Ivana Prykhodka, 69, m. Kremenchuk,  
 Poltavaska oblast 39621, Ukraine

(540)



(591) Black, white, red, yellow, orange, green, light green, blue, light blue, pink, light pink and gray

(531) 03.01.08; 03.13.02; 03.13.06; 05.05.04;  
 05.11.05; 07.15.08; 28.05; 29.01.15

(511)  
 30 – Peanut confectionery; cereal bars; high-protein cereal bars; confectionery; almond confectionery; sweetmeats [candy]; chocolate.



(260) AM 2019 98018 A  
 (800) 1405174  
 (151) 2018 02 07  
 (891) 2018 02 07  
 (731) MONEYGRAM PAYMENT SYSTEMS, INC.  
 1550 Utica Avenue So., Suite 100,  
 Minneapolis MN 55416, USA

(540)



(591) Black, white  
 (531) 24.15.01; 24.15.13; 26.15.01  
 (511)

36 – Financial services, namely, money transfer services, electronic funds transfer services, bill payment services, automated clearing house services, electronic transfer of government monetary benefits, electronic check re-resentation services, conversion of negotiable instruments to electronic payment transactions, processing payments to third parties, direct debit accounting services, electronic credit and debit transactions, official check processing and issuance, electronic debit card and credit card transaction processing; check and draft processing; financial risk management services; processing monetary government benefit payments; processing and disbursement of payments associated with coupons, rebates, and gift certificates for third parties.

(260) AM 2019 98023 A  
 (800) 1405324  
 (151) 2018 03 05  
 (891) 2018 03 05  
 (731) APPLE INC.  
 One Apple Park Way, Cupertino CA 95014,  
 USA

(540)



(591) The color(s) orange, white is/are claimed as a feature of the mark  
 (531) 20.07.01; 26.04.04; 26.04.05; 26.04.16;  
 26.04.24; 29.01.12

(511)  
 9 – Computer software for use in reading, searching, browsing, reviewing, sampling, playing, listening, purchasing, downloading, storing, previewing, and organizing electronic publications and audio books; data synchronization computer software.

(260) AM 2019 98024 A  
 (800) 1405339  
 (151) 2018 04 17  
 (891) 2018 04 17  
 (731) QINGDAO BRIGHT MOON SEAWEED GROUP CO., LTD.  
 No.777, Mingyue Road, Huangdao District,  
 Qingdao City, Shandong Province, China

(540)



(591) Black, white  
 (531) 02.09.04; 26.01.12; 26.01.14; 26.13.25  
 (511)

1 – Alginates for industrial purposes; alginates for the food industry; iodine for industrial purposes; glucose for the food industry; seaweeds [fertilizers]; glucose for industrial purposes; enzyme preparations for industrial purposes; pectin for the food industry.

(260) AM 2019 98031 A  
 (800) 1405501  
 (151) 2017 12 08  
 (891) 2017 12 08  
 (731) INFISENSE TECHNOLOGY CO., LTD.  
 No.200, Linghu Avenue, Xinwu District,  
 Wuxi, Jiangsu, China

(540)



(591) Black, white  
 (531) 26.11.12; 27.05.01; 27.05.07  
 (511)

9 – Telescopes; semi-conductors; chips [integrated circuits]; observation instruments; infrared sensors; photoelectric sensors; photosensors; sensors for determining temperature; temperature sensors; monitoring apparatus, electric; camcorders; cameras [photography]; detectors; theft prevention installations, electric; fire alarms.

(260) AM 2019 98033 A  
 (800) 1405532  
 (151) 2017 11 27  
 (891) 2017 11 27  
 (731) HONGMEN ADVANCED TECHNOLOGY CORPORATION  
 4/F, Bldg 1, Hongmen Industrial Park, Jihua Road, Xiashuijing, Buji, Longgang District, Shenzhen, China  
 (540)

**HONG MEN**

(591) Black, white  
 (531) 27.05.01; 27.05.17; 27.05.19; 27.05.22  
 (511)  
 9 – Computer programs [downloadable software]; smart cards [integrated circuit cards]; parking meters; coin-operated mechanisms for operating gates for car parks; electronic notice boards; signal remote control electronic start device (terms too vague in the opinion of the International Bureau – Rule 13 (2) (b) of the Common Regulations); camcorders; cameras [photography]; optical goods; materials for electricity mains [wires, cables]; semi-conductors; controllers for automatically rotating doors, electric retractable doors, electric doors, automatic doors and automatic car barriers; remote control apparatus; alarms; batteries, electric; electrified fences.

(260) AM 2019 98034 A  
 (800) 1405583  
 (151) 2018 02 21  
 (891) 2018 02 21  
 (731) CHINA SOUTHERN AIR HOLDING COMPANY  
 Baiyun Airport, Guangzhou, Guangdong Province, China  
 (540)

**南航e行**

(591) Black, white  
 (531) 28.03  
 (511)  
 9 – Computer software applications, downloadable; counters; facsimile machines; scales; naval signaling apparatus; navigation apparatus for vehicles, on-board computers; camcorders; fire extinguishing apparatus; protective suits for aviators; batteries, electric.

35 – Advertising; on-line advertising on a computer network; rental of advertising space; administration of frequent flyer programs; provision of an on-line marketplace for buyers and sellers of goods and services; personnel management consultancy; systemization of information into computer databases; business auditing; rental of sales stands; rental of vending machines.

36 – Insurance underwriting; financial management; capital investment; art appraisal; real estate agency services; brokerage; surety services; charitable fund raising; fiduciary; lending against security.

38 – Radio broadcasting; news agency services; message sending; telephone services; rental of facsimile apparatus; rental of telecommunication equipment; providing user access to global computer networks; providing Internet chat rooms; videoconferencing services; streaming of data.

39 – Porterage; transport; transport of travelers; packaging of goods; car transport; air transport; chauffeur services; storage; parcel delivery; travel reservation.

41 – Education services; arranging and conducting of congresses; mobile library services; publication of books; production of radio and television programs; production of shows; entertainment services; ticket agency services for entertainment; providing sports facilities; conducting guided tours.

42 – Technical research; quality control; geological research; clinical trials; weather forecasting; material testing; industrial design; interior design; cloud computing; creating and maintaining web sites for others.

43 – Hotel reservations; temporary accommodation reservations; rental of meeting rooms; café services; canteen services; tourist home services; retirement home services; rental of chairs, tables, table linen, glassware; day-nursery services, crèche; boarding for animals.

45 – Security screening of baggage; chaperoning; baby sitting; clothing rental; funerary undertaking; on-line social networking services; fire-fighting; lost property return; rental of safes; intellectual property consultancy.

(260) AM 2019 98035 A  
 (800) 1405591  
 (151) 2017 11 22  
 (891) 2017 11 22  
 (731) MONUS d.o.o.  
 Aleksandra Dubčeka 14, 11080 Beograd-Zemun, Serbia  
 (540)



(591) Gray, black and white  
 (531) 01.01.17; 03.01.02; 25.07.20; 27.05.17;  
 27.05.24

(511)  
 34 – Tobacco; rolling tobacco; tobacco-based products; chewing tobacco; smokers' articles; cigarette filters; matches; cigarettes; cigars.

(260) AM 2019 98038 A  
 (800) 1405639  
 (151) 2018 01 31  
 (891) 2018 01 31  
 (731) VTB Bank (public joint-stock company)  
 ul. Bolshaya Morskaya, 29, RU-190000  
 St.-Petersburg, Russian Federation  
 (540)



(591) White and blue  
 (531) 26.11.03; 26.11.08; 29.01.12  
 (511)  
 36 – Credit bureau services; debt collection agency services; real estate agency services; financial analysis; equity research; rental of apartments; rental of offices for co-working; rental of real estate; rental of offices [real estate]; rental of farms; lease-purchase financing; savings bank services; accommodation bureau services [apartments]; rent collection; issuance of travelers' checks; issuance of credit cards; issuance of tokens of value; capital investment; insurance information; financial information; clearing, financial; insurance consultancy; financial consultancy; debt advisory services; stock exchange quotations; lending against security; business liquidation services, financial; brokerage, included in this class; financial management; investment management; asset and portfolio management; exchanging money; online banking; processing of debit card payments; processing of credit card payments; factoring; real estate affairs; organization of collections; arranging finance for construction projects; antique appraisal; jewelry appraisal; financial evaluation of standing timber; stamp appraisal; real estate appraisal; numismatic appraisal; art appraisal; financial evaluation of wool; financial evaluation [insurance, banking, real estate]; repair costs evaluation [financial appraisal]; electronic funds transfer; surety services; securities brokerage; financial brokerage; real estate brokerage; brokerage of carbon credits; insurance brokerage; pensions brokerage; providing information relating to securities trading; advisory services relating to pensions; providing rebates at participating establishments of others through use of a membership card; loans [financing]; pawnbrokerage; providing

financial information via a web site; check verification; investment of funds, including pension funds; real estate lease surrender services; charitable fund raising; stocks and bonds brokerage; financial sponsorship; mortgage banking; instalment loans; insurance underwriting; life insurance underwriting; health insurance underwriting; accident insurance underwriting; marine insurance underwriting; fire insurance underwriting; apartment house management; real estate management; pension fund management; financial management of reimbursement payments for others; actuarial services; banking; stock brokerage services; retirement payment services; bail-bonding; trusteeship; provident fund services; provident fund services, including pension funds; financial customs brokerage services; financial services, including services related to pension funds; financial services, including factoring; financial services of depositories and specialized depositories; mutual funds; financing services; safe deposit services; deposits of valuables; securities deposit services; fiscal valuation.

(260) AM 2019 98089 A  
 (800) 1406637  
 (151) 2017 12 21  
 (891) 2017 12 21  
 (731) ICEX ESPAÑA, EXPORTACION E  
 INVERSIONES  
 Paseo de la Castellana, 278, E-28046  
 MADRID (MADRID), Spain  
 (540)



(591) Red, yellow, light and dark gray  
 (531) 24.07.01; 27.05.10; 29.01.13  
 (526) Welcome to SPAIN BUSINESS  
 (511)  
 35 – Advertising; provision of commercial information via web sites; opinion polling; business analysis; information and consultancy in the field of foreign trade; import and export services; commercial administration; advertising; management consultancy; business information services; provision of commercial information; compilation of statistics; demonstration of products for advertising purposes; organization of events, exhibitions, fairs and shows for commercial, promotional and advertising purposes; development of censuses and business statistics, markets and trade and industry sectors; arranging commercial and business contacts; dissemination of advertisements; compilation of directories for publication on other global computer networks or the Internet; business assistance, management and admini-

nistration services; sales promotion services for others; commercial business appraisal; support services and promotion of export activities for Spanish goods and importation of foreign goods; business appraisals; promotion of the goods and services of others via a global computer network; advisory services and business consultancy; commercial business brokerage for others; assistance, presentation, support and advice services for conducting business or commercial functions for companies in industry and commerce; market study and research services; commercial business management; compilation of information in computer databases; office functions; commercial consultancy; market research; information and advice services relating to business; promotion of business activities; bill-posting; compilation of business directories; distribution of advertising material (leaflets, prospectuses, printed matter, samples); market research services; advertising and promotional services.

---

(260) AM 2019 98118 A

(800) 1407100

(151) 2018 03 12

(891) 2018 03 12

(731) MPSYSTEM, Spółka z ograniczoną  
Odpowiedzialnością  
ul. Wielopolska 23 lok. 2, PL-39-200 Dębica,  
Poland

(540)

## REAREN

(591) Black, white

(511)

1 – Supports for catalysts; preparations of microorganisms, other than for medical and veterinary use; milk ferments for industrial purposes; cultures of microorganisms for industrial purposes; milk ferments [bacteria preparations] used in making foodstuffs; preservatives for maintaining the viability of micro-organisms in cultures [scientific]; bacteria [other than for medical or veterinary purposes]; polymerisation catalysts; catalysts for use in biochemical processes; fermentation extracts for industrial purposes; homogenous catalysts; milk ferments for chemical purposes; catalysts for chemical and biochemical processes; lactic acid polymers; bacteria for use in food manufacture; chemical products derived from milk; lactic cultures for the food industry; chemical substances for use in preventing the coagulation of albumin in milk; fermentation extract; probiotic bacteria for the food industry; chemicals for use in fermenting; biochemical catalysts; preservatives for maintaining the viability of micro-organisms in cultures [industrial]; enzymes for use in fermentation; bacteriological cultures [other than for medical and veterinary use]; additives (chemical -) for use in fermentation; cultures, other than for medical or veterinary use; milk ferments for the food industry; cata-

lysts for hardening purposes; catalysts; bacterial cultures for addition to food products; proteins for use in fermentation technology; biological preparation for use in cell cultures other than for medical or veterinary use; synthetic catalysts.

35 – Retail services in relation to enzymes for use in fermentation; retail services in relation to lactic cultures for the food industry; wholesale services in relation to bacteria for use in food manufacture; retail services in relation to preservatives for maintaining the viability of micro-organisms in cultures [scientific]; wholesale services in relation to preservatives for maintaining the viability of micro-organisms in cultures [scientific]; retail services in relation to supports for catalysts; wholesale services in relation to catalysts; retail services in relation to bacteriological cultures [other than for medical and veterinary use]; retail services in relation to cultures, other than for medical or veterinary use; wholesale services in relation to milk ferments for the food industry; retail services in relation to catalysts; wholesale services in relation to chemicals for use in fermenting; retail services in relation to lactic acid polymers; retail services in relation to proteins for use in fermentation technology; retail services in relation to homogenous catalysts; wholesale services in relation to polymerisation catalysts; retail services in relation to chemical substances for use in preventing the coagulation of albumin in milk; wholesale services in relation to additives (chemical -) for use in fermentation; retail services in relation to catalysts for hardening purposes; retail services in relation to biological preparation for use in cell cultures other than for medical or veterinary use; wholesale services in relation to biochemical catalysts; retail services in relation to fermentation extract; wholesale services in relation to supports for catalysts; wholesale services in relation to fermentation extract; wholesale services in relation to biological preparation for use in cell cultures other than for medical or veterinary use; wholesale services in relation to milk ferments [bacteria preparations] used in making foodstuffs; retail services in relation to polymerisation catalysts; retail services in relation to synthetic catalysts; wholesale services in relation to chemical substances for use in preventing the coagulation of albumin in milk; wholesale services in relation to cultures of microorganisms for industrial purposes; retail services in relation to fermentation extracts for industrial purposes; retail services in relation to catalysts for use in biochemical processes; wholesale services in relation to synthetic catalysts; retail services in relation to milk ferments for chemical purposes; wholesale services in relation to cultures, other than for medical or veterinary use; wholesale services in relation to proteins for use in fermentation technology; wholesale services in relation to catalysts for hardening purposes; wholesale services in relation to milk ferments for chemical purposes; re-

tail services in relation to milk ferments for Industrial purposes; retail services in relation to chemicals for use in fermenting; wholesale services in relation to bacteria [other than for medical or veterinary purposes]; retail services in relation to bacterial cultures for addition to food products; wholesale services in relation to probiotic bacteria for the food industry; retail services in relation to preservatives for maintaining the viability of micro-organisms in cultures [industrial]; wholesale services in relation to lactic cultures for the food industry; wholesale services in relation to milk ferments for industrial purposes; retail services in relation to cultures of microorganisms for industrial purposes; wholesale services in relation to chemical products derived from milk; retail services in relation to additives (chemical -) for use in fermentation; retail services in relation to milk ferments [bacteria preparations] used in making foodstuffs; wholesale services in relation to bacterial cultures for addition to food products; retail services in relation to preparations of microorganisms, other than for medical and veterinary use; wholesale services in relation to preparations of microorganisms, other than for medical and veterinary use; retail services in relation to probiotic bacteria for the food industry; wholesale services in relation to fermentation extracts for industrial purposes; retail services in relation to bacteria [other than for medical or veterinary purposes]; wholesale services in relation to bacteriological cultures [other than for medical and veterinary use]; retail services in relation to milk ferments for the food industry; wholesale services in relation to preservatives for maintaining the viability of micro-organisms in cultures [industrial]; retail services in relation to bacteria for use in food manufacture; wholesale services in relation to catalysts for chemical and biochemical processes; wholesale services in relation to homogenous catalysts; wholesale services in relation to lactic acid polymers; wholesale services in relation to catalysts for use in biochemical processes; retail services in relation to catalysts for chemical and biochemical processes; retail services in relation to biochemical catalysts; retail services in relation to chemical products derived from milk.

(260) AM 2019 98119 A  
(800) 1407122  
(151) 2018 03 08  
(891) 2018 03 08  
(731) VIASAT, INC.

6155 El Camino Real, Carlsbad, CA 92009,  
USA

(540)



(591) Black, white  
(531) 24.17.01; 24.17.02; 26.11.06; 26.11.13  
(511)

9 – Communication terminal equipment, namely, modems, receivers, radios, simulators and networks for satellite and terrestrial communication terminals.

38 – Internet service provider (ISP); satellite communication services; wireless broadband and wireless narrowband communication services; telecommunication services, namely, providing multiple user wireless access to the Internet.

(260) AM 2019 98120 A  
(800) 1407126  
(151) 2018 02 23  
(891) 2018 02 23  
(731) APPLE INC.

One Apple Park Way, Cupertino CA 95014,  
USA

(540)



(591) White and blue  
(531) 26.04.04; 26.04.05; 26.04.18; 26.04.24;  
27.05.21; 27.05.24; 29.01.12

(511)

9 – Computer software for use in browsing, searching, reviewing, purchasing, downloading, reviewing, and rating electronic games and software applications; computer software for use in searching and making purchases in online marketplaces for software applications.

(260) AM 2019 98121 A  
(800) 1407141  
(151) 2018 03 13  
(891) 2018 03 13

(731) THE GILLETTE COMPANY LLC

One Gillette Park, Boston MA 02127, USA

(540)



(591) Black, white  
(531) 27.05.09; 27.05.10  
(511)

3 – Shaving preparations, namely, shaving creams, shaving gels, shaving lotions, shaving oils and shaving foams.

(260) AM 2019 98122 A  
 (800) 1407182  
 (151) 2018 02 23  
 (891) 2018 02 23  
 (731) APPLE INC.

One Apple Park Way; Cupertino CA 95014,  
 USA

(540)



(591) White and blue  
 (531) 26.04.04; 26.04.05; 26.04.18; 26.04.24;  
 27.05.01; 27.05.21; 29.01.12

(511)  
 35 – Retail store services featuring computer software and electronic games provided via the Internet and other computer and electronic communication networks; retail store services featuring computer software and electronic games for use on computers, mobile digital electronic devices and other consumer electronic devices.

42 – Updating of computer software; providing information concerning computer software and electronic games via the Internet and other computer and electronic communication networks; providing search engines for obtaining data via communications networks; providing temporary use of computer software and online facilities to enable users to access and download computer software.

(260) AM 2019 98123 A  
 (800) 1407216  
 (151) 2017 11 27  
 (891) 2017 11 27  
 (731) SHENZHEN MARK TRADING CO., LTD.  
 607 & 608 & 609 Room, 6th Floor,  
 Building A, DongFangYaYuan, BaoMin 2nd  
 Road, Chen Tian communities, Xixiang,  
 Bao'an District, Shenzhen, China

(540)



(591) Black, white  
 (531) 26.01.03; 26.01.16; 26.13.25  
 (511)  
 9 – Optical data media; notebook computers; pocket calculators; computer keyboards; computer periph-

eral devices; protective sheaths for computer mice; protective covers for keyboards; mouse pads; mouse [data processing equipment]; interfaces for computers.

(260) AM 2019 98124 A  
 (800) 1407245  
 (151) 2017 11 17  
 (891) 2017 11 17  
 (731) FORMULA ONE LICENSING B.V.  
 Beursplein 37, NL-3011 AA Rotterdam,  
 Netherlands

(540)



(591) Black, white  
 (531) 26.11.03; 27.05.21; 27.07.11; 27.07.17  
 (511)

1 – Unexposed films; chemicals used in industry; tanning substances; artificial sweeteners; fluids for hydraulic circuits; transmission fluids; braking and hydraulic fluids; anti-freeze agents; coolants for vehicle engines.

3 – Soaps; eau-de-cologne; astringents for cosmetic purposes; cleaning chalk; conditioners; cosmetic creams; shaving creams, shaving gels; facial cleansing creams; shower gels and creams; skin care creams, beauty creams, moisturising creams; shoe waxes; polishing creams; deodorants and anti-perspirants for personal use; incense; cosmetic pencils; sun care lotions; pre-shave and after-shave lotions; hair lotions, hair gels, hair creams, hair spray; decorative transfers for cosmetic purposes; essential oils; eye shadows; perfumes; face powders; cosmetic preparations for baths; cleaning, polishing, scouring and abrasive preparations for household use, not being preparations for washing automobiles; make-up preparations; washing preparations; cleaning preparations; make-up removing preparations; oral care products, particularly including dentifrices, mouthwashes; cleansing products for the body, particularly including cleansing lotions, beauty masks, cleansing foam, cleansing creams, cleansing gels and cleansing milk; cleaning products; liquid soaps.

9 – Scientific, nautical, surveying, photographic, cinematographic, optical, weighing, measuring, signalling, checking (supervision), life-saving and teaching apparatus and instruments; apparatus and instruments for conducting, switching, transforming, accumulating, regulating or controlling electricity; apparatus for recording, transmission or reproduction of sound or images; cash registers, calculating machines, data processing equipment, computers; compact discs, DVDs and other digital recording media; fire-extinguishing apparatus; mechanisms for



coin-operated apparatus; computer software; magnetic data carriers, recording discs; electric batteries for vehicles; loudspeakers; amplifiers; satellite dishes; precision measuring apparatus; navigation apparatus; projection apparatus; radios; vehicle radios; remote control apparatus; television apparatus; high definition television apparatus; cameras (photography); apparatus for recording, transmitting, editing, mixing and reproducing of sound and images; apparatus for reading digital music; data processing apparatus; speed measuring apparatus (photography); distance measuring apparatus; apparatus for verifying data of cards magnetically encoded; time recording apparatus; telephone apparatus; personal digital assistants (PDAs); earphones; earphones and headsets for cellular telephones; automatic indicators of low pressure in vehicle tires; rechargeable batteries; binoculars; electronic notebooks, diaries and agendas; directional compasses; cables, electric; automated teller machines; cameras (cinematographic cameras); video cameras; cameras and camera accessory cases and straps, batteries; headphones; protective helmets for sports; video game cassettes; mouse pads; photovoltaic cells; chips (integrated circuits); answering machines; converters, electric; cords for sunglasses and glasses; cellular telephone straps; smoke detectors; slides (photography); video game discs; liquid crystal displays; electric door devices that facilitate remote opening and closing; electric apparatus for remote ignition; portable electronic storage devices, namely, thumb drives, jump drives, USB flash drives and other information storage and memory devices; ticket dispensers; hands free kits for phones; scanners (data processing equipment); carrying cases adapted for cellular telephones; containers for contact lenses; exposed films; flash bulbs (photography); photocopiers; cellular telephone covers; "karaoke" recorders and players; gloves for protection against accidents; holograms; magnets; decorative magnets; printers for use with computers; speed indicators; alarms; cassette players; portable cassette players; portable CD players; CD players; mini-disc players; DVD players; MP3 players; contact lenses; eyeglasses; video recorders; computer carrying cases; windsocks for indicating wind direction; pressure gauges; electronic maps; calculating machines; money counting and sorting machines; dictating machines; credit card reading machines; money dispensing machines; pressure measuring apparatus; microphones; modems; monitors (computer hardware); monitors (computer programs); computers; memory sticks; solar panels; computer screens; plasma screens; protective films adapted for smartphone screens; flat screens; downloadable ringtones and graphic representations for cellular telephones; magnetic identification bracelets; processors (central processing units); data processors; software; software for games; computer programmes (programs), recorded; computer programs and database; electronic publica-

tions; electronic publications (downloadable); electronic publications downloadable from internet; portable radios; mouse (data processing equipment); audio-receivers and video-receivers; pressure indicators; clothing for protection against fire; semi-conductors; simulators for the steering and control of vehicles; home cinema systems; computer software for editing, downloading, transmitting, receiving, creating, playing, extracting, encoding, decoding, displaying, storing and organizing text, graphics, images, electronic publications; computer software, particularly software for transmission, recording, reproduction, visualization, organization, management, manipulation and review messages, text, images, archives, audio-visual and audio and video content, and other data to facilitate communications between two or multiple users via the global computer network; ear plugs for divers; chip cards; memory cards; integrated circuit cards (smart cards); magnetic cards (encoded); identity cards, magnetic; magnetic encoded mobile cards; cards containing a computer chip with integrated circuit; computer keyboards; keyboards for cellular telephones; facsimile machines; smartphones; portable telephones; electronic pocket translators; transceivers; cathode ray tubes; X-ray tubes not for medical purposes; anti-glare glasses; protective goggles; sunglasses; computer disc drives; clothing for protection against accidents, irradiation and fire; video discs, video tapes, magnetic tapes, magnetic discs, DVDs, floppy discs, optical discs, compact discs, mini-discs, CD-ROMs, all the aforementioned being blank or pre-recorded with music, sound or images (which may be animated); camcorders; video telephones; anti-dazzle shades; integrated circuits.

11 – Apparatus for lighting, heating, steam generating, cooking, refrigerating, drying, ventilating, water supply and sanitary purposes; lamps; air conditioning apparatus; water filtering apparatus; electric hair dryers; electric laundry dryers; drying apparatus; barbecue; light bulbs; stoves; electric kettles; electric coffee machines; freezers; electric cookers; gas stoves; kitchen ranges (ovens); drinking water fountains; microwave ovens; ovens, other than for experimental purposes; electric deep fryers; grills (cooking appliances); table lamps; incandescent lamps; pocket searchlights; lanterns for lighting; lighting fixtures; decorative lamps; bicycle lights; lamp shades; solar collectors for heating; refrigerators; toilet seats; electric toasters; flashlights; electric fans for personal use.

12 – Apparatus for locomotion by land, air or water; vehicles; non-skid devices for vehicle tires; motor buses; automobiles; aeroplanes; bicycles; air pumps (vehicle accessories); bicycle bells; anti-skid chains; inner tubes for pneumatic tires; vans; trucks; caravans; treads for retreading tires; safety belts for vehicle seats; spikes for tires; casings for pneumatic ti-

res; tire covers; sun-blinds adapted for automobiles; motor racing cars; baby carriages (strollers); windshield wipers; seat covers for vehicles; vehicle covers (shaped); covers for vehicle steering wheels; vans; air balloons; airships; hubcaps; rims for vehicle wheels; motorcycles; engines for land vehicles; scooters (vehicles); luggage carriers for vehicles; ski carriers for cars; trailers (vehicles); rear-view mirrors; vehicle wheels; safety seats for children (for vehicles); boats; valves for vehicle tires; electric vehicles; refrigerated vehicles; utility vehicles; adhesive rubber patches for repairing inner tubes.

14 – Jewellery, trinkets (jewellery), precious stones; precious metals and their alloys and goods in precious metals or coated therewith, namely jewellery, bracelets, rings, tie pins, amulets, watches, wristwatches, clocks; horological and chronometric instruments; ornaments (jewellery); ornamental pins for hats, pins (jewellery); brooches (jewellery); tie pins; amulets (jewellery); rings (jewellery); earrings; bracelets (jewellery); key rings (trinkets or fobs); novelty key holders, lanyards for holding keys; cufflinks; necklaces (jewellery); stopwatches; sculptures of precious metals; statuettes of precious metal; figurines (statuettes) of precious metal; jewellery; medals; commemorative medals of precious metal, medallions (jewellery); medallions not of precious metal; coins; semi-precious stones; gems (precious stones); pendulums (watchmaking); charms (jewellery); trophies, statues of precious metal; watch straps; watches; clocks; wristwatches; electric clocks; pendulums (clock); tie clips.

25 – Clothing, footwear, headgear; coats; waistcoats; stadium vests (marking vests); bathing suits; bath robes; hats; caps; boots; scarves; shoes and footwear; shirts; headbands; belts (clothing); neckties; aprons; sweatshirts; braces for clothing; skirts; shawls; bandanas (neckerchiefs); knitted caps; gloves; waterproof clothing; jackets; blazers; sports jackets; pullovers; sleeveless pullovers; sweaters; underwear; garters; socks and stockings; trousers; shorts; pyjamas; bibs, not of paper; knitwear (clothing); wrist bands; kimonos; vests; suits for infants and children; shoes; sports shoes; t-shirts; singlets; sandals; uniforms; dresses; motorists' clothing; cap peaks.

28 – Decorations for Christmas trees; gymnastic and sporting articles not included in other classes; games, toys and playthings; golf tees; apparatus for gymnastics; electronic games apparatus adapted for use with television sets; electronic games apparatus other than those adapted for use with television sets; electronic game apparatus with liquid crystal displays; electronic games apparatus, accessories for electronic games apparatus; video game machines; handheld video games apparatus; apparatus for games other than those adapted for use with an external display screen or monitor; articles for gymnastics and sports; play balloons; party hats (toys) of paper;

golf clubs; lottery tickets to scratch; balls for play; sporting bags and cases adapted for carrying sports articles; golf bags with or without wheels; fairground ride apparatus; golf club head covers; confetti; gaming consoles; voice-adapted or hand-operated game controllers; kites; golf gloves; automatic game machines being coin-operated; playing cards; board games; portable games with liquid crystal display; games and playthings; inflatable toys; toys for pets; robots (toys) for entertainment; joysticks for video games; foam hands (toys); play and entertainment machine started by the introduction of coins; electronic video game machines for game rooms; slot machines; automatic amusement machines; ground markers, ball markers; scale model vehicles; skate boards; plush dolls; joystick for game consoles; toy scooters; roller skates; plush toys; balls for games; puzzles; rackets; tables for indoor football; jigsaw puzzles; toy vehicles; remote control toy vehicles.

29 – Meat; fish; poultry; game; meat extracts; cooked fruits and vegetables; canned fruits and vegetables; frozen fruits and vegetables; frozen meat, fish and poultry; edible oils and fats; potato chips; french fries; processed nuts; jams; jellies; fish and meat preserves; milk, milk drink products; yoghurt drinks; milk shakes; dairy products; cheese; soya milk (milk substitute).

32 – Mineral and aerated waters and other non-alcoholic beverages; fruit beverages and fruit juices; beers; syrups and other preparations for making beverages; fruit and vegetable drinks; energy drinks; enriched drinks with added vitamins; frozen fruit drinks; hypertonic drinks; hypotonic drinks; isotonic drinks; beverages containing vitamins; non-alcoholic beers; ales; lagers; concentrates, syrups and powders for making non-alcoholic beverages; fruit and vegetable juices.

35 – Business administration; business management; advertising; office functions; advertising agencies; publicity agencies; search for financial sponsorship in relation to motor sport events; compilation and recording of data and information on sports performances; dissemination of advertising matter; compilation of statistics; marketing study services; rental of advertising space; rental of advertising time on any means of communication media; organization of exhibitions for commercial or advertising purposes; presentation of goods on any communication media for retail services; administration of loyalty and incentive programs with benefits for clients; loyalty, incentive and bonus programs for customers at sports venues by means of distributing loyalty and encoded member cards which may hold personal user data; promotion (advertising) of events, sports, cultural and leisure activities; promoting goods and services of others by means of issuing of loyalty reward cards for supporters, containing personal information on the identity of the card holder and ena-



bling control of access to sports stadiums (ticket office services); promotion of the goods and services of third parties; promotion of third parties through ads (sponsors); sales promotion, namely implementing preferential programs for customers; provision of space on websites for advertising of goods and services; providing online business directories in relation to the reservation of temporary lodgings, and the rankings, ratings, reviews, referrals and recommendations in relation to reservation of temporary lodgings; on-line advertising on a computer network; advertising for sports events; television advertising, radio advertising; the bringing together, for the benefit of others, of various goods (except the transportation thereof) including sporting equipment, clothing, games, toys, souvenirs, printed matter, books and computer software (excluding the transport thereof) in order to give customers the opportunity to view and purchase those goods conveniently in a store or via a global computer network (the internet) or via wireless electronic communication devices; sponsorship search; compilation of advertisements and information for use in a web page or a web page in relation to an electronic network or internet; compilation of information into computer databases namely still or animated images; compilation of directories for publication on the internet and on a wireless electronic communication network; compilation of information into computer databases; commercial administration services for processing commercial services on a global computer network (internet) or via wireless electronic communication devices; promotional agency services for sports and public relations; services of an advertising agency on a global computer network (the internet) or via wireless electronic communication devices; electronic commerce services (e-commerce), namely making product information available via telecommunication networks for advertising and sales purposes; promotion services provided by a commercial company through a customer loyalty card; promotion services that belong to this class, including services promotional with incentive schemes and loyalty programs; advertising and promotional services, information services concerning advertising and promotion, all the aforesaid services being provided on-line from a computer data bank or via a global computer network (the internet) or via wireless electronic communication devices; marketing research services; services for retailing of solvents, paraffin, waxes, bitumen and gasoline; promotional services; systemization of information into computer databases; opinion polling; auctioneering on a global computer network (the internet) or via wireless electronic communication devices; retailing of goods of all kinds; retailing of interactive educational and entertainment products, interactive compact discs, CD-ROMs, and computer games; retailing, particularly on a global computer network, of interactive educational and

entertainment products, interactive compact discs, CD-ROMs, and computer games.

36 – Insurance; financial affairs; real estate affairs; monetary affairs; credit bureaux; financial sponsorship; hire-purchase financing; home banking services; private banking; real estate consultancy; safe deposits; issuance of credit cards; issuing of travellers' checks; guarantees; surety services; leasing financing; capital investment; fund investment; clearing (financial -); clearing houses (financial -); loans (financing); banking services; banking services via the internet or on any wireless electronic communication network; insurance services; information services concerning finance and insurance, provided from a computer database or via the internet or on any wireless electronic communication network; telephone banking services; financial guarantee services relating to the reimbursement of expenses incurred following a vehicle breakdown or a vehicle accident; payment services; credit card services; debit card services; financial services; financial services including e-wallets and cryptocurrency.

38 – Telecommunications; news agency services; news agencies; leasing of broadcast apparatus for external broadcasting; leasing of telecommunication installations; communication by radio; communication by telephone; communication by telegraph; providing telecommunications connections to a global computer network or to internet or databases; radio and television broadcasting of programs relating to sports and sports events; cable television program broadcasting; radio broadcasting; distribution and transmission of data relating to interactive entertainment and interactive competitions via analogue television, digital television, cable television, satellite television, pay-per-view television, interactive television and radio; television broadcasting; rental of telecommunication equipment; rental of facsimile machines; rental of telephones; rental of access time to music streaming websites on the internet via a global computer network or via wireless electronic communication devices; rental of access time to a database server centre (telecommunication services); rental of access time to a computer database (telecommunication services); electronic mail; operating of discussion groups on the internet or on any wireless electronic communication network; providing access to data communication servers and real-time chat forums; providing connections for telecommunications with a global computer network (the internet) or with data banks; broadcasting; communication by mobile telephone; telex services; service provider services via the internet or via any wireless electronic communication network (telecommunication services); telecommunication services and consultancy; telecommunication services for the booking of tickets via the internet; telecommunication services dedicated to retail sales by means of interactive com-

munications with customers; telecommunication services for receiving and exchanging information, messages, images and data; teleconferencing services; mobile telephone services; videotext and teletext transmission services; paging services (radio, telephone or other means of electronic communication); providing access to websites offering digital music on the internet via a global computer network or via wireless electronic communication devices; providing access to a multi-user network system giving information relating to betting and money games and internet-based services and other global networks; providing access to a global computer network via interactive communication technologies for access to private and commercial purchasing and ordering services; providing access to and leasing of access time to computer bulletin boards and chat rooms in real time via a global computer network; providing access time to a global computer network (the internet) or via wireless electronic communication devices; telecommunication via a fibre-optic network; telecommunication of computer information (including websites) and other data; multimedia telecommunication; cable television transmission and broadcasting; transmission of information (including sites on data communication networks) via telecommunication; information transmission via communication satellite, microwave or by electronic, digital or analogue means; transmission of information via mobile telephone, telephone, facsimile machine and telex; transmission of digital information by cable, wire or fibre; streaming; electronic message transmission; computer aided transmission of messages and images; transmission of digital music via the internet or via any wireless electronic communication network; transmission of digital music via telecommunications; transmission of digital music via streaming websites; transmission of commercial internet pages online or via wireless electronic communication devices; facsimile transmission; on-line transmission of electronic publications; real-time streaming of video and audio material via the internet; real-time streaming of digital music via mobile telephones; transmission and dissemination of television and radio programs via the internet or via any wireless electronic communication network; simulcast broadcasting and/or uploading of film recordings and sound and video recordings; simulcast broadcasting and/or uploading of data and information relating to interactive educational and entertainment products, interactive compact disks, CD-ROMs, computer programs and computer games (telecommunications); satellite transmission; distribution of data or audio visual images via the internet.

39 – Packaging and storage of goods; travel arrangement; transport; packaging of goods; newspaper, review and book delivery; distribution (delivery) of films and sound and image recordings; distribution (delivery) of interactive educational and entertain-

ment products, interactive compact disks, CD-ROMs, computer programs and computer games; distribution of water, heat, gas and electricity; distribution of tickets; distribution of petroleum products; warehousing of goods; rental of parking spaces; vehicle rental; travel organization and reservation; providing information related to the planning and bookings of car sharing and temporary parking services; providing information regarding transportation services and bookings for transportation services via a website; tracking and locating of goods and parcels in transit; travel agency services for arranging travel; courier services; satellite navigation services; travel ticket reservation services; taxi transportation; travel tour operation services; freight forwarding services; transportation services by airplane, railway, bus and truck; boat travel services; tourist travel services; chauffeur services; postal services; transport of persons by aircraft, train, bus, truck or boat; transportation, storage and delivery of letters, documents, messages, printed matter, parcels and other goods by land, sea or air; vehicle leasing.

41 – Sporting and cultural activities; education; entertainment; providing of training; betting and gaming services on-line on the internet or on any wireless electronic communication network; radio or television coverage of sports events; timing of sports events; night club services; issuing of tickets for events, including motor sports events; entertainment through films, television and performances and shows in direct; interactive entertainment; practical training (demonstration); educational information provided on-line from a computer database or via the internet or via any wireless electronic communication network; entertainment information (including in connection with sport), provided on-line from a computer database or via the internet or via any wireless electronic communication network; rental of sound and picture recordings for entertainment purposes; rental of video and audio-visual installations; providing digital music via internet; organization of sporting and cultural events and activities; organization of events relating to motor sport; organisation of exhibitions for cultural and educational purposes; organization of sports competitions; arranging contests; arranging of beauty contests; organisation of computer games competitions; operating lotteries; arranging and conducting of concerts, conferences and training workshops; amusement park services; party planning (entertainment); providing sports facilities; providing recreation facilities; production of animated cartoons for the cinema, production of animated cartoons for television; production of programmes for radio, television and videotape; production, presentation, distribution and/or rental of film recordings and sound and video recordings; provision of digital music (not downloadable); publication of books; publication of books and electronic journals on-line; reservation of entry tickets to sports or

entertainment events; betting and gaming services relating to sports; customer reception services (entertainment services); book, film, photo and video editing services; entertainment services in the form of public viewing of live and delayed broadcast of sports events; entertainment services in connection with sports events; information services concerning sports events or entertainment; hospitality services (entertainment); audio and video recording services; electronic games services provided by means of the internet or mobile telephones; ticket reservation services for entertainment, sporting and cultural events; prize draws (lotteries); provision of entertainment facilities; translation services; photographic services; provision of sports information relating to statistical information; providing facilities for sports events.

43 – Services for providing food and drink; providing hotel accommodation; cafés; cafeterias; canteens; tourist homes; information on hotel bookings; temporary accommodation reservation; hotel reservation; food and drink catering; restaurants; self-service restaurants; snack-bars; providing catering services for hospitality suites in relation to the provision of food and drink for sporting or entertainment events, both on- and off-site sports facilities; bar services; fast food restaurant services; services provided by restaurant.

(260) AM 2019 98125 A  
(800) 1407357  
(151) 2018 03 29  
(891) 2018 03 29  
(731) ACINO PHARMA AG  
Birsweg 2, CH-4253 Liesberg, Switzerland  
(540)

# Levicitam

(591) Black, white  
(511)  
5 – Drugs for medical purposes; pharmaceutical preparations; pharmaceuticals.

(260) AM 2019 98127 A  
(800) 1407439  
(151) 2017 12 21  
(891) 2017 12 21  
(731) APPLE INC.  
One Apple Park Way Cupertino, CA 95014,  
USA  
(540)



(591) Green, black and white.  
(531) 02.01.08; 02.01.23; 26.01.03; 26.01.14;  
26.04.05; 26.04.10; 26.04.24; 29.01.13

(526) CONNECTS TO

(511)

9 – Computer software, including computer software in the field of health, fitness, exercise, and wellness.

10 – General wellness instruments, namely, health, fitness, exercise, and wellness sensors, monitors and displays for measuring, displaying, tracking, monitoring, storing, and transmitting biometric data, heart rate, body movement, and calories burned; general wellness apparatus and devices to measure, display, track, monitor, store, and transmit biometric data, heart rate, body movement, and calories burned; medical apparatus and devices.

28 – Fitness and exercise machines and equipment; body-building apparatus.

(260) AM 2019 98130 A  
(800) 1407467  
(151) 2018 02 21  
(891) 2018 02 21  
(731) APPLE INC.  
One Apple Park Way, Cupertino CA 95014,  
USA  
(540)



(591) Purple, pink, white  
(531) 01.01.10; 26.04.04; 26.04.13; 29.01.12  
(511)

9 – Computer software for use in searching, browsing, reviewing, sampling, playing, purchasing, and downloading live and pre-recorded audio and video content.

(260) AM 2019 98139 A  
(800) 1203376  
(151) 2014 03 26  
(891) 2018 05 30  
(731) CASINO GUICHARD PERRACHON  
1 cours Antoine Guichard, F-42000  
SAINT-ETIENNE, France  
(540)

# LES DOODINGUES DE CASINO

(591) Black, white

(511)

29 – Meat, fish, poultry and game; meat extracts; preserved, frozen, dried and cooked fruits and vegetables; jellies, jams, compotes; eggs, milk and dairy products; edible oils and fats; fats for food; butter; charcuterie; salted meats; crustaceans (not live); canned meat or fish; cheeses; milk beverages, milk predominating.

30 – Coffee, tea, cocoa, sugar, rice, tapioca, sago, artificial coffee; flour and preparations made from cereals, bread, pastry and confectionery, edible ices; honey, treacle; yeast, baking powder; salt, mustard; vinegar, sauces (condiments); spices; ice for refreshment; sandwiches, pizzas; pancakes; cookies; cakes; rusks; sugar confectionery; chocolate; beverages based on cocoa, coffee, chocolate or tea.

32 – Beers; mineral and aerated waters; fruit beverages and fruit juices; syrups and other preparations for making beverages; lemonades; fruit nectars; soda water; non-alcoholic aperitifs.

(260) AM 2019 98143 A

(800) 1337606

(151) 2017 01 23

(891) 2018 04 25

(731) WANG WEI ZHI

No.11, Wucuo Fangtun, Yushu Village,  
Yuejin County, Zhaodong City, Heilongjiang,  
China

(540)

# BASSIRIANA

(591) Black, white

(531) 27.05.01

(511)

25 – Down jackets; clothing; fur coats; shoes; footwear; sandals; sports shoes; boots; winter boots; girdles.

(260) AM 2019 98144 A

(800) 1381315

(151) 2017 09 20

(891) 2018 04 27

(731) NOVARTIS AG

CH-4002 Basel, Switzerland

(540)



(591) Black, white

(531) 26.01.01; 26.01.03; 26.01.24; 26.13.25

(511)

5 – Pharmaceutical preparations.

(260) AM 2019 98145 A

(800) 1390094

(151) 2018 01 05

(891) 2018 04 26

(731) NOVARTIS AG

CH-4002 Basel, Switzerland

(540)

## AERINEX

(591) Black, white

(511)

5 – Pharmaceutical preparations.

(260) AM 2019 98250 A

(800) 1407613

(151) 2018 04 09

(891) 2018 04 09

(731) Obshchestvo s ogranichennoi

otvetstvennost'yu "LABORATORIYA

SOVREMENNOGO ZDOROV'YA"

ul. Khimzavodskaya, 11/20, Berdsk,

RU-633004 Novosibirskaya oblast',

Russian Federation

(540)

## ENDESSENCE

(591) Black, white

(511)

3 – Abrasives; abrasive cloth; adhesives for cosmetic purposes; after-shave lotions; air fragrancing preparations; almond milk for cosmetic purposes; aloe vera preparations for cosmetic purposes; ammonia [volatile alkali] [detergent]; antiperspirant soap; antiperspirants [toiletries]; antistatic preparations for household purposes; aromatics [essential oils]; astringents for cosmetic purposes; balms, other than for medical purposes; bases for flower perfumes; bath preparations, not for medical purposes; bath salts, not for medical purposes; beauty masks; bleaching preparations [decolorants] for cosmetic purposes; breath freshening sprays; breath freshening strips; cake flavorings [essential oils]; cakes of toilet soap; canned pressurized air for cleaning and dusting purposes; cleaning chalk; cleansing milk for toilet purposes; cleansers for intimate personal hygiene purposes, non medicated; cleaning preparations; cloths impregnated with a detergent for cleaning; collagen preparations for cosmetic purposes; color-brightening chemicals for household purposes [laundry]; color-removing preparations; cosmetics; cosmetic creams; cosmetic dyes; cosmetic kits; cosmetic pencils; cosmetic preparations for baths; cosmetic preparations for eyelashes; cosmetic preparations for

skin care; cosmetic preparations for slimming purposes; cotton sticks for cosmetic purposes; cotton wool for cosmetic purposes; decorative transfers for cosmetic purposes; degreasers, other than for use in manufacturing processes; dental bleaching gels; dentifrices\*; deodorants for human beings or for animals; deodorant soap; depilatories; depilatory wax; descaling preparations for household purposes; detergents, other than for use in manufacturing operations and for medical purposes; dry-cleaning preparations; dry shampoos\*; eau de Cologne; essential oils; ethereal essences; eyebrow cosmetics; eyebrow pencils; eye-washes, not for medical purposes; fabric softeners for laundry use; false eyelashes; false nails; flavorings for beverages [essential oils]; food flavourings [essential oils]; fumigation preparations [perfumes]; refurbishing preparations; geraniol; greases for cosmetic purposes; hair conditioners; hair dyes; hair lotions\*; hair spray; hair straightening preparations; hair waving preparations; heliotropine; herbal extracts for cosmetic purposes; joss sticks; lacquer-removing preparations; laundry glaze; laundry bleaching preparations; laundry preparations; laundry soaking preparations; leather bleaching preparations; lip glosses; lipsticks; lotions for cosmetic purposes; make-up powder; make-up preparations; make-up removing preparations; mascara; massage gels, other than for medical purposes; mint for perfumery; mouthwashes, not for medical purposes; mustache wax; nail art stickers; nail care preparations; nail polish; nail varnish removers; neutralizers for permanent waving; non-slipping liquids for floors; non-slipping wax for floors; oils for cleaning purposes; oils for cosmetic purposes; oils for perfumes and scents; oils for toilet purposes; oil of turpentine for degreasing; paint stripping preparations; perfumery; perfumes; petroleum jelly for cosmetic purposes; phytocosmetic preparations; polishing creams; polish for furniture and flooring; polishing paper; polishing preparations; polishing stones; polishing wax; pomades for cosmetic purposes; potpourris [fragrances]; preservatives for leather [polishes]; preparations to make the leaves of plants shiny; sachets for perfuming linen; safrol; scented water; scented wood; scouring solutions; shampoos\*; shaving preparations; shaving soap; shaving stones [astringents]; shining preparations [polish]; shoe cream; shoe wax; shoemakers' wax; smoothing preparations [starching]; soap\*; soap for brightening textile; stain removers; starch glaze for laundry purposes; sunscreen preparations; sun-tanning preparations [cosmetics]; tailors' wax; teeth whitening strips; tissues impregnated with cosmetic lotions; tissues impregnated with make-up removing preparations; toiletry preparations\*; toilet water; vaginal washes for personal sanitary or deodorant purposes; volcanic ash for cleaning; waxes for leather; windshield cleaning liquids.

5 – Adhesive plasters; adhesive tapes for medical purposes; acne treatment preparations; air deodori-

zing preparations; air purifying preparations; albumin dietary supplements; albuminous foodstuffs for medical purposes; albuminous preparations for medical purposes; alginate dietary supplements; almond milk for pharmaceutical purposes; aloe vera preparations for pharmaceutical purposes; amino acids for medical purposes; anaesthetics; analgesics; antibacterial handwashes; antibacterial soap; antioxidant pills; antiseptics; antiseptic cotton; anti-uric preparations; appetite suppressant pills; appetite suppressants for medical purposes; asthmatic tea; babies' diapers; barks for pharmaceutical purposes; bath salts for medical purposes; biological preparations for medical purposes; candy for medical purposes; candy, medicated; casein dietary supplements; capsules for medicines; cachets for pharmaceutical purposes; chemico-pharmaceutical preparations; chewing gum for medical purposes; chilblain preparations; cod liver oil; collagen for medical purposes; collyrium; contact lens cleaning preparations; corn remedies; compresses; decoctions for pharmaceutical purposes; deodorants for clothing and textiles; deodorants, other than for human beings or for animals; depuratives; dietetic beverages adapted for medical purposes; dietetic foods adapted for medical purposes; dietary fiber; dietetic substances adapted for medical use; digestives for pharmaceutical purposes; disinfectants for hygiene purposes; disinfectant soap; dressings, medical; drugs for medical purposes; elixirs [pharmaceutical preparations]; enzyme dietary supplements; enzyme preparations for medical purposes; eucalyptus for pharmaceutical purposes; febrifuges; ferments for pharmaceutical purposes; flour for pharmaceutical purposes; food for babies; freeze-dried food adapted for medical purposes; frostbite salve for pharmaceutical purposes; fumigation preparations for medical purposes; gauze for dressings; gelatine for medical purposes; glucose dietary supplements; glucose for medical purposes; hematogen; hemostatic pencils; herbal teas for medicinal purposes; homogenized food adapted for medical purposes; immunostimulants; infant formula; lacteal flour for babies; lactose for pharmaceutical purposes; laxatives; lecithin dietary supplements; liniments; linseed for pharmaceutical purposes; lined oil dietary supplements; lotions for pharmaceutical purposes; magnesia for pharmaceutical purposes; medical preparations for slimming purposes; medicated after-shave lotions; medicated dentifrices; medicated dry shampoos; medicated eye-washes; medicated hair lotions; medicated shampoos; medicated soap; medicated toiletry preparations; medicinal drinks; medicinal hair growth preparations; medicinal herbs; medicinal infusions; medicinal mud; medicinal oils; medicinal roots; medicinal tea; medicine cases, portable, filled; medicines for alleviating constipation; medicines for human purposes; milk ferments for pharmaceutical purposes; mineral food supplements; mineral waters for medical purpo-

ses; mouthwashes for medical purposes; mud for baths; mustard plasters; nervines; nutritional supplements; nutraceutical preparations for therapeutic or medical purposes; ointments for pharmaceutical purposes; ootherapy preparations; panty liners [sanitary]; pastilles for pharmaceutical purposes; pearl powder for medical purposes; personal sexual lubricants; petroleum jelly for medical purposes; pharmaceuticals; pharmaceutical preparations; pharmaceutical preparations for skin care; pharmaceutical preparations for treating dandruff; pharmaceutical preparations for treating sunburn; phytotherapy preparations for medical purposes; plant extracts for pharmaceutical purposes; pollen dietary supplements; pomades for medical purposes; powdered milk for babies; preparations of trace elements for human and animal use; preparations for the treatment of burns; propolis dietary supplements; propolis for pharmaceutical purposes; protein dietary supplements; purgatives; remedies for perspiration; royal jelly dietary supplements; royal jelly for pharmaceutical purposes; salts for medical purposes; salts for mineral water baths; sanitary towels; sea water for medicinal bathing; sedatives; serums; sexual stimulant gels; slimming pills; solutions for contact lenses; styptic preparations; sugar for medical purposes; sunburn ointments; suppositories; syrups for pharmaceutical purposes; tanning pills; thermal water; therapeutic preparations for the bath; tinctures for medical purposes; tissues impregnated with pharmaceutical lotions; tonics [medicines]; vitamin preparations\*; wadding for medical purposes; wheat germ dietary supplements; yeast dietary supplements; yeast for pharmaceutical purposes.

(260) AM 2019 98316 A  
 (800) 1409020  
 (151) 2018 03 22  
 (891) 2018 03 22  
 (731) SOCIÉTÉ DES PRODUITS NESTLÉ S.A.  
 CH-1800 Vevey, Switzerland  
 (540)

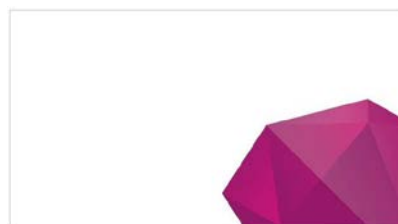
**Морское царство**

(591) Black, white  
 (531) 28.05  
 (511)  
 30 – Chocolate, chocolate products, chocolate paste, chocolate spread, chocolate-based preparations and beverages; confectionery, sugar confectionery, candy; sugar-based confectionery, including fruit jellies; marshmallows; biscuits, cakes, cookies, wafers, caramels.

(260) AM 2019 98320 A  
 (800) 1409104  
 (151) 2018 03 19

(891) 2018 03 19  
 (731) SWISS PHARMA INTERNATIONAL AG  
 Waldmannstrasse 8, CH-8001 Zürich,  
 Switzerland

(540)



(591) Magenta (Pantone 2415)  
 (531) 26.15.25; 29.01.01  
 (511)  
 5 – Pharmaceutical products.

(260) AM 2019 98331 A  
 (800) 1409672  
 (151) 2018 02 27  
 (891) 2018 02 27  
 (731) MEBA İHRACAT VE MAĞAZACILIK  
 LTD. ŞTİ.  
 Kestane Sokak No. 12 D:1, Merter Güngören,  
 İstanbul, Turkey

(540)

**FABIO FRANCO**

(591) Black, white  
 (531) 27.05.01  
 (511)  
 25 – Clothing, including underwear and outerclot-  
 hing, other than special purpose protective clothing;  
 socks; footwear; headgear.

35 – The bringing together, for the benefit of others,  
 of a variety of goods, namely, unworked or semi-  
 worked leather and animal skins, imitations of leat-  
 her, stout leather, leather used for linings, goods ma-  
 de of leather, imitations of leather or other materials,  
 designed for carrying items, bags, wallets, boxes and  
 trunks made of leather or stout leather, keycases,  
 trunks [luggage], suitcases, umbrellas, parasols, sun  
 umbrellas, walking sticks, whips, harness, saddlery,  
 stirrups, straps of leather (saddlery), woven or non-  
 woven textile fabrics, textile goods for household  
 use, curtains, bed covers, sheets (textile), pillow-  
 cases, blankets, quilts, towels, flags, pennants, labels  
 of textile, swaddling blankets, clothing, including  
 underwear and outer clothing, other than special  
 purpose protective clothing, socks, mufflers [clot-  
 hing], shawls, bandanas, scarves, belts [clothing],  
 footwear, shoes, slippers, sandals, headgear, hats,  
 caps with visors, berets, caps [headwear], skull caps,  
 enabling customers to conveniently view and pur-  
 chase those goods, such services may be provided by  
 retail stores, wholesale outlets, by means of elec-  
 tronic media or through mail order catalogues.

(260) AM 2019 98334 A  
 (800) 1409709  
 (151) 2018 04 18  
 (891) 2018 04 18  
 (731) HARRY WINSTON, INC.  
 718 Fifth Avenue, New York, NY 10019,  
 USA

(540)  
**WINSTON CANDY**

(591) Black, white  
 (511)

14 – Precious metals and their alloys and goods made of these materials or coated therewith included in this class; jewelry, jewelry boxes, cases, precious stones; timepieces and chronometric instruments, chronometers, chronographs, clocks, watches, wrist-watches, wall clocks, alarm clocks, watch chains, presentation cases for timepieces, cases for timepieces.

(260) AM 2019 98344 A  
 (800) 1409885  
 (151) 2018 02 15  
 (891) 2018 02 15  
 (731) MESSE MÜNCHEN GMBH  
 Am Messesee 2, 81829 München, Germany  
 (540)



(591) Black, white  
 (531) 24.15.03; 26.05.01; 26.05.16  
 (511)

35 – Organization of exhibitions and trade fairs for commercial or advertising purposes; publication and issuance of advertising texts; providing consumer product and service advice.

38 – Telecommunication services provided via Internet platforms and portals; providing access to platforms and portals on the Internet; providing access to e-commerce platforms on the Internet.

41 – Arranging of exhibitions for cultural and teaching purposes; organization and arranging of congresses; organization and arranging of meetings.

(260) AM 2019 98345 A  
 (800) 1409917  
 (151) 2017 12 20  
 (891) 2017 12 20

(731) LIMITED LIABILITY MANUFACTURING  
 AND TRADING COMPANY "ACME"  
 5 Promyslova Str., Ukrainka, Obukhivsky  
 r-n, Kyivska obl. 08720, Ukraine

(540)



(591) Black, white  
 (531) 27.05.09  
 (511)

3 – Bleaching preparations and other substances for laundry use; cleaning, polishing, scouring and abrasive preparations; non-medicated soaps; perfumery, essential oils, non-medicated cosmetics, non-medicated hair lotions; non-medicated dentifrices; abrasives; abrasive cloth; glass cloth [abrasive cloth]; abrasive paper; breath freshening sprays; diamantine [abrasive]; alum stones [astringents]; amber [perfume]; antistatic preparations for household purposes; balms, other than for medical purposes; beard dyes; hair colorants; cosmetic dyes; bergamot oil; joss sticks; lip glosses; nail polish; shining preparations [polish]; badian essence; petroleum jelly for cosmetic purposes; cotton wool for cosmetic purposes; cotton sticks; bleaching soda; laundry bleaching preparations; bleaching salts; bleaching preparations [decolorants] for cosmetic purposes; leather bleaching preparations; decorative transfers for cosmetic purposes; shoe wax; creams for leather; moustache wax; laundry wax; volcanic ash for cleaning; astringents for cosmetic purposes; cloths impregnated with a detergent for cleaning; gaultheria oil; dental bleaching gels; heliotropine; geraniol; make-up; lipsticks; deodorants for pets; deodorants for human beings or for animals; deodorant soap; depilatory preparations; depilatory wax; scented water; scented wood; ethereal essences; essential oils; essential oils of cedarwood; Javelle water; jasmine oil; greases for cosmetic purposes; laundry soaking preparations; aromatics [essential oils]; flavorings for beverages [essential oils]; cake flavorings [essential oils]; food flavorings [essential oils]; leather preservatives [polishes]; varnish-removing preparations; lacquer-removing preparations; color-removing preparations; degreasers, other than for use in manufacturing processes; descaling preparations for household purposes; dentifrices; ionone [perfumery]; shaving stones [astringents]; silicon carbide [abrasive]; carbides of metal [abrasives]; extracts of flowers [perfumes]; adhesives for affixing false hair; adhesives for affixing false eyelashes; adhesives for cosmetic purposes; collagen preparations for cosmetic purposes; hair conditioners; quillaia bark for washing; corundum [abrasive]; cosmetics; eyebrow cosmetics; cosmetic preparations for eyelashes; cosmetics for ani-

mals; make-up powder; beauty masks; cosmetic kits; hair straightening preparations; cosmetic preparations for skin care; sun-tanning preparations [cosmetics]; cosmetic preparations for slimming purposes; cosmetic preparations for baths; tailors' wax; cleaning chalk; shoe cream; skin whitening creams; cosmetic creams; starch for laundry purposes; starch glaze for laundry purposes; cakes of soap; lavender water; lavender oil; incense; hair spray; essential oils of lemon; polishing wax; polishing paper; polishing stones; polishing preparations; shoe polish; denture polishes; polish for furniture and flooring; hair lotions\*; lotions for cosmetic purposes; after-shave lotions; massage gels, other than for medical purposes; almond oil; almond soap; almond milk for cosmetic purposes; washing soda, for cleaning; detergents, other than for use in manufacturing operations and for medical purposes; soap\*; shaving soap; soap for brightening textile; soap for foot perspiration; musk [perfumery]; fabric softeners for laundry use; mint for perfumery; mint essence [essential oil]; emery; emery cloth; emery paper; nail art stickers; ammonia [volatile alkali] [detergent]; neutralizers for permanent waving; fumigation preparations [perfumes]; eau de Cologne; eyebrow pencils; cosmetic pencils; oils for perfumes and scents; oils for cosmetic purposes; oils for toilet purposes; oils for cleaning purposes; oil of turpentine for degreasing; mouthwashes, not for medical purposes; bases for flower perfumes; drying agents for dishwashing machines; cleansing milk for toilet purposes; furbishing preparations; perfumery; perfumes; pastes for razor strops; pumice stone; hydrogen peroxide for cosmetic purposes; polishing rouge; pomades for cosmetic purposes; laundry blueing; laundry glaze; laundry preparations; air fragrancing preparations; shaving preparations; stain removers; rust removing preparations; paint stripping preparations; make-up preparations; nail care preparations; make-up removing preparations; hair waving preparations; preparations to make the leaves of plants shiny; preparations for unblocking drain pipes; dry-cleaning preparations; preparations for cleaning dentures; bath preparations, not for medical purposes; aloe vera preparations for cosmetic purposes; non-slipping wax for floors; non-slipping liquids for floors; antiperspirants [toiletries]; antiperspirant soap; vaginal washes for personal sanitary or deodorant purposes; windscreen cleaning liquids; cleaning preparations; safrol; sachets for perfuming linen; tissues impregnated with cosmetic lotions; tissues impregnated with make-up removing preparations; turpentine for degreasing; glass paper; teeth whitening strips; breath freshening strips; soda lye; bath salts, not for medical purposes; sunscreen preparations; douching preparations for personal sanitary or deodorant purposes [toiletries]; canned pressurized air for cleaning and dusting purposes; potpourris [fragrances]; dry shampoos\*; talcum powder, for toilet use; ter-

penes [essential oils]; grinding preparations; tripoli stone for polishing; rose oil; toilet water; mascara; cosmetic dyes; lipstick cases; color-brightening chemicals for household purposes [laundry]; henna [cosmetic dye]; henna [cosmetic dye]; essential oils of citron; cleaning chalk; cleaning preparations; wallpaper cleaning preparations; scouring solutions; shampoos; shampoos for pets [non-medicated grooming preparations]; shoemakers' wax; smoothing stones; false eyelashes; false nails.

---

(260) AM 2019 98346 A

(800) 1409948

(151) 2018 02 20

(891) 2018 02 20

(731) MIRKA LTD

Pensalavägen 210, FI-66850 Jepua, Finland

(540)

## CAFRO

(591) Black, white

(511)

3 – Cleaning, polishing, scouring and abrasive preparations; non-woven and flexible abrasive materials and abrasive products; abrasives; abrasive nets; abrasive films; abrasive cloth; abrasive paper; abrasive wheels; abrasive discs; abrasive belts; abrasive sheets; abrasive strips; abrasive rolls.

7 – Machine tools; hand-held tools, other than hand-operated; machines and apparatus for polishing [electric]; machines and machine tools for abrasive and polishing purposes and parts thereof; machines for manufacturing abrasive and polishing products; painting machines; machines for processing plastic.

8 – Hand tools and implements [hand-operated]; abrading instruments [hand instruments]; grindstones [hand tools]; abrasive discs [parts for hand operated tools]; abrasive wheels for use with hand tools; polishing tools (hand operated -); polishing discs [hand operated tools].

---

(260) AM 2019 98356 A

(800) 1410151

(151) 2018 03 13

(891) 2018 03 13

(731) AISIN SEIKI KABUSHIKI KAISHA

2-1 Asahi-machi, Kariya-shi, Aichi-ken

448-8650, Japan

(540)

## Power FabriQ

(591) Black, white

(511)

7 – Sewing machines, parts and accessories therefor; embroidery sewing machines; sewing robots; embroidery machines, parts and accessories therefor; quilting machines; yarn spinning machines; weaving lo-



oms; knitting machines; textile production machines and apparatus; textile machines and apparatus; machines and apparatus for the textile industry; metal-working machines and tools; machines and apparatus for lumbering, woodworking, or veneer or plywood making; printing or bookbinding machines and apparatus; plastic processing machines and apparatus; apparatus for machining; machines and apparatus for repairing or fixing; machine elements, not for land vehicles; machines and instruments for making shoes; leather tanning machines.

37 – Repair or maintenance of sewing machines and providing information relating thereto; repair or maintenance of embroidery sewing machines and providing information relating thereto; repair and maintenance of sewing robots, quilting machines, yarn spinning machines, weaving looms, knitting machines and textile production machines and apparatus, and providing information relating thereto; repair or maintenance of textile machines and apparatus and providing information relating thereto; installation of textile machines and apparatus; cleaning of textile machines and apparatus; clothing repair and providing information relating thereto; repair of bags or pouches and providing information relating thereto; repair or maintenance of machines and instruments for making shoes and providing information relating thereto.

(260) AM 2019 98357 A

(800) 1410152

(151) 2018 03 02

(891) 2018 03 02

(731) MARTY MODE Società a Responsabilità

Limitata

Via Carlo Sigonio, 12, I-41012 CARPI (MO),

Italy

(540)

**MARTA**  
**STUDIO**

(591) Black, white

(531) 26.11.01; 26.11.08; 27.05.01; 27.05.09;

27.05.10; 27.05.11

(511)

25 – Aloha shirts; arm warmers [clothing]; articles of clothing for theatrical use; bad weather dresses; bandanas [neckerchiefs]; beach dresses; bib tights; blazers, blusones; boas [necklets]; bodices [lingerie]; bodies [clothing]; boleros; bomber jackets; bridesmaids dresses; caftans, cagoules; cardigans; cashmere clothing, casual jackets; casualwear; clothing; clothing for gymnastics; clothing of imitations of leather; clothing of leather; coats of denim; combinations [clothing]; cotton coats; cowls [clothing]; crew neck sweaters; crop tops; denim jackets; denim je-

ans; denim jeans clothing; denims [clothing]; dove-tail jackets; down jackets; down vests; dresses; duffel coats; dust coats; elegant shirts; evening suits; evening wear; fabric trousers shorts; fleece pullovers; fleece shorts; fleece vests; folk costumes; foulards [clothing articles]; frock coats; full-length kimonos (nagagi); fur cloaks; fur coats and jackets; fur muffs; fur stoles; furs [clothing]; girls' clothing; gloves [clothing]; heavy coats; heavy jackets for sports; hooded sweatshirts; housecoats; informal short-sleeved shirts; jackets [clothing]; jerseys [clothing]; jumper dresses; khakis; kimonos; knit jackets; knitted mantles; knitted shirts; knitwear [clothing]; ladies' clothing; ladies' dresses; ladies' dresses wide and not cut at the waist; leather dresses; leather jackets; leather jackets; leggings [leg warmers]; leggings [trousers]; leisure dresses; leisure suits; leisurewear; linen clothing; long dresses; long jackets; long sleeve pullovers; long sleeve T-shirts; long-sleeve shirts; lounge pants; mackintoshes; maternity smocks; miniskirts; mock turtleneck shirts; mock turtleneck sweaters; mock turtlenecks; morning coats; muffs [clothing]; neck clothing; neck scarves [mufflers]; neck-scarve jerseys; neck-scarve long-sleeved shirts; neck-scarve short-sleeved shirts; one-piece playsuits; one-piece suits; one-piece suits [clothing]; open neck shirts; outerclothing; over-trousers; overcoats; overshirts; padded jackets; pantsuits; pareos; parkas; pedal pushers; petticoats; polo knit tops; polo shirts; ponchos; printed shirts; quilted vests; rainproof jackets; ready-made clothing; ready-made linings [parts of clothing]; reversible jackets; sarongs; seafaring dresses; shawls; shirts; shirts articles; short bib tights; short petticoats; short sleeve T-shirts; short trousers; short-sleeve shirts; shorts; shoulder wraps [clothing]; silk clothing; skirt suits; skirts; skorts; sleeveless blusones; sleeveless jerseys; slippers; slips [underclothing]; sports jackets; stoles; strapless tops; stretch pants; stuff jackets [clothing]; suede jackets; suit jackets; suits; sundresses; sunsuits; sweat shirts; sweaters; tabards; tank tops; three piece suits [clothing]; tops [clothing]; tracksuits; trench coats; trousers; trousers of leather; tube tops; tunics; turtleneck jerseys; turtleneck shirts; turtlenecks; twin sets; underclothing dresses; undershirts for kimonos (juban); V-neck sweaters; waist cinchers; waterproof clothing; waterproof jackets; waterproof jackets and trousers; waterproof outer-clothing; waterproof suits; waterproof trousers; weather resistant outer clothing; weatherproof clothing; wedding dresses; windproof vests; women's ceremonial dresses; women's dinner jackets; women's down padded jacket; women's fabric cloaks; women's furs [clothing]; women's heavy jackets; women's knitwear outer clothing; women's suits; women's suits with two jersey; women's synthetic padded jacket; women's trousers; woolen clothing; woven clothing; woven shirts; wraparound shawl; zoot suits.

(260) AM 2019 98358 A  
(800) 675962  
(151) 1997 07 14  
(891) 2017 07 17  
(731) Otkrytoe aktsionernoe obshchestvo  
"RECHITSKY METIZNY ZAVOD"  
Oulitsa Frounze 2, 247500 Réchitsa,  
Gomelskaya obl., Belarus

(540)



(591) Black, white  
(531) 24.15.21; 26.03.02; 27.05.01; 27.05.21  
(511)  
6 – Bolts of metal, nails, screws of metal, including wood screws, nuts of metal, rivets of metal; hooks (metal hardware), steel wire, chains of metal, pegs.  
20 – Racks, plate racks.

---

(260) AM 2019 98365 A  
(800) 1234372  
(151) 2014 07 31  
(891) 2018 02 14  
(731) CALZIFICIO SCHINELLI SRL  
Via Svezia, 14, I-46042 Castel Goffredo  
(MN), Italy

(540)

**CALZITALY**

(591) Black, white  
(511)  
25 – Socks; clothing for men, women and children in general, including: clothing of leather; shirts; blouses; skirts; tailleurs; jackets; trousers; shorts; jerseys; T-shirts; pajamas; undershirts (knitwear); corsets; sock suspenders; briefs; brassieres; underclothing (underwear); hats; scarves; neckties; raincoats; overcoats; coats; bathing suits; tracksuits; anoraks; ski pants; belts; ready-made pelisses; sashes for wear; gloves; dressing gowns (robes); footwear in general, including slippers, shoes, sports shoes, boots and sandals.

---

(260) AM 2019 98367 A  
(800) 1310362  
(151) 2016 05 20  
(891) 2018 05 15  
(731) LTD "VALENTA-INTELLEKT"  
ul. Generala Dorokhova, d. 18, str. 2,  
RU-119530 Moscow, Russian Federation

(540)

**Пантокальцин**

(591) Black, white  
(531) 28.05  
(511)  
5 – Drugs for medical purposes; medicines for human purposes; pharmaceutical preparations; chemico-pharmaceutical preparations.

---

(260) AM 2019 98368 A  
(800) 1331354  
(151) 2016 10 26  
(891) 2018 05 15  
(731) FREICARE SWISS AG  
Seepark 6, CH-9422 Staad, Switzerland

(540)



(591) Black, white  
(531) 01.15.05  
(511)  
5 – Vitamin preparations; nutritional supplements; preparations of trace elements for human and animal consumption; all the aforesaid goods are from Switzerland.

---

---

**INTERNATIONAL TRADEMARKS PROTECTED IN GEORGIA**

(260) AM 2019 92420 A  
(800) 1345080  
(151) 2016 12 22  
(181) 2026 12 22  
(891) 2016 12 22  
(511) 09, 16, 41

---

(260) AM 2019 94802 A  
(800) 1370108  
(151) 2017 08 28  
(181) 2027 08 28  
(891) 2017 08 28  
(511) 09, 42

---

(260) AM 2019 93256 A  
(800) 1353770  
(151) 2017 03 21  
(181) 2027 03 21  
(891) 2017 03 21  
(511) 30, 35, 43

---

(260) AM 2019 95466 A  
(800) 1378955  
(151) 2017 09 11  
(181) 2027 09 11  
(891) 2017 09 11  
(511) 10

---

(260) AM 2019 93339 A  
(800) 1355852  
(151) 2017 04 07  
(181) 2027 04 07  
(891) 2017 04 07  
(511) 06, 07, 17, 19, 37, 42

---

(260) AM 2019 95855 A  
(800) 1381921  
(151) 2017 10 20  
(181) 2027 10 20  
(891) 2017 10 20  
(511) 25

---

(260) AM 2019 93409 A  
(800) 1355608A  
(151) 2016 12 02  
(181) 2026 12 02  
(891) 2016 12 02  
(511) 09, 16, 35, 38, 39, 41, 42

---

(260) AM 2019 95952 A  
(800) 1383703  
(151) 2017 06 15  
(181) 2027 06 15  
(891) 2017 06 15  
(511) 03, 18, 25

---

(260) AM 2019 93888 A  
(800) 1360527  
(151) 2016 12 09  
(181) 2026 12 09  
(891) 2016 12 09  
(511) 03, 09, 14, 18, 25, 26, 28, 35

---

(260) AM 2019 95960 A  
(800) 1383923  
(151) 2017 11 27  
(181) 2027 11 27  
(891) 2017 11 27  
(511) 05

---

(260) AM 2019 94231 A  
(800) 1364733  
(151) 2017 03 21  
(181) 2027 03 21  
(891) 2017 03 21  
(511) 16, 30, 35

---

(260) AM 2019 95964 A  
(800) 1384057  
(151) 2017 08 24  
(181) 2027 08 24  
(891) 2017 08 24  
(511) 06, 08, 12, 13, 17, 29, 30, 31, 32, 33, 36, 39,  
40, 42, 44, 45

---

(260) AM 2019 94663 A  
(800) 1369238  
(151) 2017 09 13  
(181) 2027 09 13  
(891) 2017 09 27  
(511) 19

---

(260) AM 2019 95965 A  
(800) 1384088  
(151) 2017 11 15  
(181) 2027 11 15  
(891) 2017 11 15  
(511) 30

---

(260) AM 2019 96053 A  
(800) 1384581  
(151) 2017 11 13  
(181) 2027 11 13  
(891) 2017 11 13

---

(260) AM 2019 96054 A  
(800) 1384603  
(151) 2017 04 14  
(181) 2027 04 14  
(891) 2017 04 14  
(511) 36

---

(260) AM 2019 96055 A  
(800) 1384619  
(151) 2017 07 19  
(181) 2027 07 19  
(891) 2017 07 19  
(511) 20, 24, 35

---

(260) AM 2019 96056 A  
(800) 1384622  
(151) 2017 06 19  
(181) 2027 06 19  
(891) 2017 06 19  
(511) 25, 35

---

(260) AM 2019 96057 A  
(800) 1384658  
(151) 2017 09 14  
(181) 2027 09 14  
(891) 2017 09 14  
(511) 13

---

(260) AM 2019 96058 A  
(800) 1384679  
(151) 2017 10 10  
(181) 2027 10 10  
(891) 2017 10 10  
(511) 03

---

(260) AM 2019 96060 A  
(800) 1384710  
(151) 2017 11 28  
(181) 2027 11 28  
(891) 2017 11 28  
(511) 05

---

(260) AM 2019 96063 A  
(800) 906281  
(151) 2006 11 07

(181) 2026 11 07  
(891) 2017 12 22  
(511) 04

---

(260) AM 2019 96084 A  
(800) 1384988  
(151) 2017 09 19  
(181) 2027 09 19  
(891) 2017 09 19  
(511) 09, 28

---

(260) AM 2019 96089 A  
(800) 1385077  
(151) 2017 10 11  
(181) 2027 10 11  
(891) 2017 10 11  
(511) 14, 18, 25, 26

---

(260) AM 2019 96096 A  
(800) 835095  
(151) 2004 05 25  
(181) 2024 05 25  
(891) 2018 01 02  
(511) 18, 25, 28

---

(260) AM 2019 96103 A  
(800) 1169034  
(151) 2012 12 20  
(181) 2022 12 20  
(891) 2017 12 01  
(511) 01, 05, 29, 30, 31, 32, 35, 39, 43

---

(260) AM 2019 96123 A  
(800) 1384736  
(151) 2017 10 26  
(181) 2027 10 26  
(891) 2017 10 26  
(511) 25

---

(260) AM 2019 96124 A  
(800) 1384742  
(151) 2017 11 02  
(181) 2027 11 02  
(891) 2017 11 02  
(511) 33

---

(260) AM 2019 96191 A  
(800) 1385183  
(151) 2017 10 25  
(181) 2027 10 25  
(891) 2017 10 25  
(511) 05, 29, 30, 43

---

(260) AM 2019 96192 A  
(800) 1385746  
(151) 2017 09 15  
(181) 2027 09 15  
(891) 2017 09 15  
(511) 01, 04, 09, 12, 14, 16, 18, 25, 28, 29, 30, 32,  
35, 36, 38, 39, 41, 43

---

(260) AM 2019 96193 A  
(800) 1385185  
(151) 2017 11 08  
(181) 2027 11 08  
(891) 2017 11 08  
(511) 09, 28

---

(260) AM 2019 96195 A  
(800) 1385186  
(151) 2017 10 03  
(181) 2027 10 03  
(891) 2017 10 03  
(511) 09

---

(260) AM 2019 96209 A  
(800) 1385761  
(151) 2017 10 11  
(181) 2027 10 10  
(891) 2017 10 11  
(511) 42

---

(260) AM 2019 96211 A  
(800) 1385450  
(151) 2017 08 14  
(181) 2027 08 14  
(891) 2017 08 14  
(511) 03

---

(260) AM 2019 96212 A  
(800) 1385775  
(151) 2017 12 01  
(181) 2027 12 01  
(891) 2017 12 01  
(511) 09

---

(260) AM 2019 96214 A  
(800) 1385781  
(151) 2017 10 05  
(181) 2027 10 05  
(891) 2017 10 05  
(511) 09

---

(260) AM 2019 96238 A  
(800) 1385618  
(151) 2017 09 18  
(181) 2027 09 18  
(891) 2017 09 18  
(511) 33

---

(260) AM 2019 96241 A  
(800) 1385624  
(151) 2017 11 22  
(181) 2027 11 22  
(891) 2017 11 22  
(511) 03

---

(260) AM 2019 96267 A  
(800) 1385827  
(151) 2017 10 18  
(181) 2027 10 18  
(891) 2017 10 18  
(511) 03

---

(260) AM 2019 96274 A  
(800) 532193  
(151) 1988 09 05  
(181) 2018 09 05  
(891) 2017 11 23  
(511) 03, 05

---

(260) AM 2019 96277 A  
(800) 1063684  
(151) 2011 01 07  
(181) 2021 01 07  
(891) 2017 11 23  
(511) 03, 05

---

(260) AM 2019 96278 A  
(800) 1064302  
(151) 2010 12 06  
(181) 2020 12 06  
(891) 2017 11 23  
(511) 03, 05

---

(260) AM 2019 96345 A  
(800) 1386129  
(151) 2018 11 14  
(181) 2027 11 14  
(891) 2018 11 14  
(511) 05

---

(260) AM 2019 96352 A  
(800) 1386185  
(151) 2017 10 04  
(181) 2027 10 04  
(891) 2017 10 04  
(511) 03

---

(260) AM 2019 96353 A  
(800) 1386268  
(151) 2017 12 01  
(181) 2027 12 01  
(891) 2017 12 01  
(511) 05

---

(260) AM 2019 96356 A  
(800) 1386868  
(151) 2016 02 03  
(181) 2026 02 03  
(891) 2016 02 03  
(511) 05

---

(260) AM 2019 96363 A  
(800) 1386400  
(151) 2017 11 08  
(181) 2027 11 08  
(891) 2017 11 08  
(511) 05

---

(260) AM 2019 96376 A  
(800) 1387196  
(151) 2017 09 29  
(181) 2027 09 29  
(891) 2017 09 29  
(511) 05

---

(260) AM 2019 96377 A  
(800) 1387203  
(151) 2017 11 01  
(181) 2027 11 01  
(891) 2017 11 01  
(511) 05, 10

---

(260) AM 2019 96380 A  
(800) 1387306  
(151) 2017 06 22  
(181) 2027 06 22  
(891) 2017 06 22  
(511) 07, 08, 09

---

(260) AM 2019 96383 A  
(800) 1386411  
(151) 2017 11 07

(181) 2027 11 07  
(891) 2017 11 07  
(511) 05

---

(260) AM 2019 96384 A  
(800) 1387336  
(151) 2017 09 19  
(181) 2027 09 19  
(891) 2017 09 19  
(511) 09, 28

---

(260) AM 2019 96396 A  
(800) 1387375  
(151) 2017 10 17  
(181) 2027 10 17  
(891) 2017 10 17  
(511) 09, 28

---

(260) AM 2019 96398 A  
(800) 1387398  
(151) 2017 11 07  
(181) 2027 11 07  
(891) 2017 11 07  
(511) 09, 28

---

(260) AM 2019 96409 A  
(800) 1387453  
(151) 2017 12 04  
(181) 2027 12 04  
(891) 2017 12 04  
(511) 35

---

(260) AM 2019 96451 A  
(800) 1388108  
(151) 2017 11 27  
(181) 2027 11 27  
(891) 2017 11 27  
(511) 18, 25, 28

---

(260) AM 2019 96452 A  
(800) 1388177  
(151) 2017 09 27  
(181) 2027 09 27  
(891) 2017 09 27  
(511) 09

---

(260) AM 2019 96454 A  
(800) 1388220  
(151) 2017 11 22  
(181) 2027 11 22  
(891) 2017 11 22  
(511) 29

---

(260) AM 2019 96456 A  
(800) 1388268  
(151) 2017 06 19  
(181) 2027 06 19  
(891) 2017 06 19  
(511) 35

---

(260) AM 2019 96460 A  
(800) 1388279  
(151) 2017 07 06  
(181) 2027 07 06  
(891) 2017 07 06  
(511) 09, 16, 35, 42

---

(260) AM 2019 96461 A  
(800) 1388344  
(151) 2017 12 05  
(181) 2027 12 05  
(891) 2017 12 05  
(511) 09

---

(260) AM 2019 96472 A  
(800) 1388384  
(151) 2017 09 16  
(181) 2027 09 15  
(891) 2017 09 16  
(511) 07, 09, 11, 12, 13, 37, 38, 41, 42

---

(260) AM 2019 96475 A  
(800) 1042511  
(151) 2010 03 30  
(181) 2020 03 30  
(891) 2017 12 11  
(511) 08, 21

---

(260) AM 2019 96482 A  
(800) 1231579  
(151) 2014 10 08  
(181) 2024 10 08  
(891) 2017 12 26  
(511) 05

---

(260) AM 2019 96488 A  
(800) 1307749  
(151) 2016 06 27  
(181) 2026 06 27  
(891) 2018 01 19  
(511) 03, 04, 05

---

(260) AM 2019 96497 A  
(800) 1387700  
(151) 2017 11 08

(181) 2027 11 08  
(891) 2017 11 08  
(511) 05

---

(260) AM 2019 96498 A  
(800) 1387701  
(151) 2018 11 14  
(181) 2027 11 14  
(891) 2017 11 14  
(511) 05

---

(260) AM 2019 96499 A  
(800) 1387705  
(151) 2017 11 14  
(181) 2027 11 14  
(891) 2017 11 14  
(511) 05

---

(260) AM 2019 96500 A  
(800) 1387724  
(151) 2017 07 20  
(181) 2027 07 20  
(891) 2017 07 20  
(511) 35

---

(260) AM 2019 96502 A  
(800) 1387751  
(151) 2017 09 12  
(181) 2027 09 12  
(891) 2017 09 12  
(511) 30

---

(260) AM 2019 96503 A  
(800) 1387766  
(151) 2018 11 20  
(181) 2027 11 20  
(891) 2017 11 20  
(511) 01

---

(260) AM 2019 96539 A  
(800) 1388481  
(151) 2017 12 20  
(181) 2027 12 15  
(891) 2017 12 20  
(511) 39

---

(260) AM 2019 96546 A  
(800) 1388557  
(151) 2017 08 21  
(181) 2027 08 21  
(891) 2017 08 21  
(511) 03, 05, 09, 10, 42, 44

---

(260) AM 2019 96577 A  
(800) 1389179  
(151) 2017 12 11  
(181) 2027 12 11  
(891) 2017 12 11  
(511) 05, 16

---

(260) AM 2019 96578 A  
(800) 1389180  
(151) 2017 12 11  
(181) 2027 12 11  
(891) 2017 12 11  
(511) 05, 16

---

(260) AM 2019 96579 A  
(800) 1389181  
(151) 2017 12 11  
(181) 2027 12 11  
(891) 2017 12 11  
(511) 05, 16

---

(260) AM 2019 96620 A  
(800) 1362468  
(151) 2017 03 09  
(181) 2027 03 09  
(891) 2018 01 26  
(511) 25

---

(260) AM 2019 96621 A  
(800) 1388714  
(151) 2017 12 01  
(181) 2027 12 01  
(891) 2017 12 01  
(511) 09

---

(260) AM 2019 96629 A  
(800) 1388810  
(151) 2017 11 10  
(181) 2027 11 10  
(891) 2017 11 10  
(511) 32

---

(260) AM 2019 96640 A  
(800) 1389177  
(151) 2017 12 11  
(181) 2027 12 11  
(891) 2017 12 11  
(511) 05, 16

---

(260) AM 2019 96662 A  
(800) 1390360  
(151) 2017 09 15

(181) 2027 09 15  
(891) 2017 09 15  
(511) 41

---

(260) AM 2019 96669 A  
(800) 1390491  
(151) 2017 08 02  
(181) 2027 08 02  
(891) 2017 08 02  
(511) 20, 35

---

(260) AM 2019 96670 A  
(800) 1390566  
(151) 2017 12 12  
(181) 2027 12 12  
(891) 2017 12 12  
(511) 09

---

(260) AM 2019 96672 A  
(800) 1390570  
(151) 2017 12 13  
(181) 2027 12 13  
(891) 2017 12 13  
(511) 25

---

(260) AM 2019 96673 A  
(800) 1390589  
(151) 2017 08 17  
(181) 2027 08 17  
(891) 2017 08 17  
(511) 07, 09, 37

---

(260) AM 2019 96674 A  
(800) 1390591  
(151) 2017 07 22  
(181) 2027 07 22  
(891) 2017 07 22  
(511) 09, 12, 35, 36, 37, 38, 39, 41, 42, 43, 45

---

(260) AM 2019 96702 A  
(800) 1389736  
(151) 2017 12 07  
(181) 2027 12 07  
(891) 2017 12 07  
(511) 09

---

(260) AM 2019 96713 A  
(800) 1389824  
(151) 2017 11 27  
(181) 2027 11 27  
(891) 2017 11 27  
(511) 25

---



(260) AM 2019 96719 A  
(800) 1389935  
(151) 2018 01 12  
(181) 2028 01 12  
(891) 2018 01 12  
(511) 10

---

(260) AM 2019 96741 A  
(800) 1390771  
(151) 2017 08 16  
(181) 2027 08 16  
(891) 2017 08 16  
(511) 07, 09, 12

---

(260) AM 2019 96743 A  
(800) 1390780  
(151) 2017 11 07  
(181) 2027 11 07  
(891) 2017 11 07  
(511) 09, 35, 36, 38

---

(260) AM 2019 96744 A  
(800) 1390782  
(151) 2017 10 18  
(181) 2027 10 18  
(891) 2017 10 18  
(511) 03, 05, 10

---

(260) AM 2019 96745 A  
(800) 1390796  
(151) 2017 10 17  
(181) 2027 10 17  
(891) 2017 10 17  
(511) 09, 11, 37

---

---

# GEOGRAPHICAL INDICATION AND APPELLATIONS OF ORIGIN OF GOODS AND

## APPELLATIONS OF ORIGIN OF GOODS FILED IN GEORGIA FOR EXAMINATION UNDER LISBON AGREEMENT, ON THE BASIS OF THE INTERNATIONAL REGISTRATION

The decision can be appealed at the Chamber of Appeal of Sakpatenti within 3 months from the publication or at the Mtskheta District Court Administrative Cases Board (Address: №17, Samkhedro str., Mtskheta), within 1 month after publication.

Number of Identification: 1536  
Number of International Registration: 1102  
Data of International Registration: 2018 02 13  
Application Filing Date: 2018 07 24  
Appellation of Origin of Good: **Khaviar e Iran**  
The Goods for which the Registration of Appellation of Origin is Required: 29 – Caviar.  
Name and Address of Applicant: Producer or groups of producers benefiting from the appellation of origin concerned: Agricultural Services Specialized Holding Company.  
Golestan, Mazandaran and Gilan Provinces, Iran

---

Number of Identification: 1537  
Number of International Registration: 1103  
Data of International Registration: 2018 02 13  
Application Filing Date: 2018 07 24  
Appellation of Origin of Good: **Peste e Rafsanjan e Iran**  
The Goods for which the Registration of Appellation of Origin is Required: 31 - Pistachio.  
Name and Address of Applicant: Producer or groups of producers benefiting from the appellation of origin concerned: Iran pistachio association.  
Region of Rafsanjan County, Iran

---

Number of Identification: 1538  
Number of International Registration: 1104  
Data of International Registration: 2018 02 13  
Application Filing Date: 2018 07 24  
Appellation of Origin of Good: **Peste e Damghan e Iran**  
The Goods for which the Registration of Appellation of Origin is Required: 31 – Pistache.  
Name and Address of Applicant: I. Rural Cooperatives Union of Damghan II. Agricultural Cooperative of pistachio growers in Damghan III. Union of nuts, dried fruits, dairy and Grocers of Damghan county./Region of Damghan County, Iran

---

Number of Identification: 1539  
Number of International Registration: 1105  
Data of International Registration: 2018 02 13  
Application Filing Date: 2018 07 24  
Appellation of Origin of Good: **Sang e marmr e Kordestan e Iran**  
The Goods for which the Registration  
of Appellation of Origin is Required: 19 – Marbre.  
Name and Address of Applicant: Kowsar Mining & Industrial Development Investment  
Company  
Region of Serishabad City, Iran

---

Number of Identification: 1540  
Number of International Registration: 1106  
Data of International Registration: 2018 02 13  
Application Filing Date: 2018 07 24  
Appellation of Origin of Good: **Gach e Semnan e Iran**  
The Goods for which the Registration  
of Appellation of Origin is Required: 19 – Platre.  
Name and Address of Applicant: Union of producers and exporters of mineral products in  
Semnan province Region of Semnan county, Iran

---

## REGISTERED GEOGRAPHICAL INDICATION

(111) 976  
(151) 04 03 2019  
(732) N(N)LE Unite "BOLNURI WINE"  
D. Aghmashenebeli Str. 44, Bolnisi, Georgia  
(540)

**BOLNISI**

(511) 33

---

---

# OFFICIAL NOTIFICATION

## INVENTIONS

### EXPIRATION OF PATENTS RESTORATION

(21) AP 2010 12368

**(11) P 2014 6093 B**

(73) SHELL INTERNATIONALE RESEARCH MAATSCHAPPIJ B.V

(54) **METHOD FOR CONVERTING HYDRATES BURIED IN WATERBOTTOM INTO MARKETABLE HYDROCARBON COMPOSITION**

Date of Cancellation of Patent: 2018 02 12

The term of Restoration of Patent Validity has Expired: 2019 02 12

---

(21) AP 2014 13917

**(11) P 2017 6638 B**

(73) NOVARTIS AG

(54) **BENZOTHIOPHENE DERIVATIVES AND COMPOSITIONS THEREOF AS SELECTIVE ESTROGEN RECEPTOR DEGRADERS**

Date of Cancellation of Patent: 2018 02 12

The term of Restoration of Patent Validity has Expired: 2019 02 12

---

(21) AP 2007 9864

**(11) P 2008 4354 B**

(73) Zaur Tsikhelashvili;

Darejan Garuchava;

Ioseb Tsikhelashvili

Giorgi Mikadze;

Shota Tsikhelashvili;

Paata Giorgadze

(54) **FLOATING BANK PROTECTION DEVICE**

Date of Cancellation of Patent: 2018 02 13

The term of Restoration of Patent Validity has Expired: 2019 02 13

---

---

**DESIGNS****RENEWAL OF REGISTRATIONS****(11) D 2009 390 S**

(73) Harrington Development Inc. (PA)

Arango-Orillac Bldg. East 54th Street, Panama, Republic of Panama (PA)

**(54) CIGARETTE PACK**

(28) 2

(24) 2009 01 05

(18) 2024 01 05

(58) 2019 02 20

---

**(11) D 2014 585 S**

(73) Ekaterine Dadesheli (GE)

Stalini Str. 10/24, 1400, Gori, Georgia (GE)

**(54) PENDENT**

(28) 3

(24) 2013 11 14

(18) 2023 11 14

(58) 2019 02 20

---

**(11) D 2014 597 S**

(73) Levan Nodia (GE)

M. Gorki Str. 35, 0102, Tbilisi, Georgia (GE)

**(54) VESSEL "KHINKALI"**

(28) 2

(24) 2013 11 18

(18) 2023 11 18

(58) 2019 02 26

---

**CANCELLATION OF REGISTRATIONS****(11) D 2008 374 S**

(73) JSC "ELMAVALMSHENE BELI" (GE)

D. Guramishvili Ave. 84, 0141, Tbilisi, Georgia (GE)

**(54) EIGHT-WHEEL MAINLINE SHUNTING ELECTRIC LOCOMOTIVE**

(18) 2018 06 12

(58) 2019 02 27

---

**(11) D 2013 525 S**

(73) Rostom Zhordania (GE)

Nakashidze Str. 25, 0105, Tbilisi, Georgia (GE)

**(54) CHESSBOARD TABLE WITH BACKGAMMON BUILT-IN**

(18) 2017 05 14

(58) 2019 02 27

**(11) D 2014 572 S**

(73) ELEKTRIC MALZEMELERI SANAYI VE TICARET ANONIM SIRKETI (TR)

Osmangazi Mah. Yildirim Beyazit Cad. No. 29 Sancaktepe Istanbul 34887

(54) **TV-SOCKET**

(18) 2018 07 12

(58) 2019 02 27

---

# TRADEMARKS

## RENEWAL OF REGISTRATIONS

(111) M 1999 11768 R2

(156) 18 03 1999

(186) 18 03 2029

(732) TOMMY HILFIGER LICENSING B.V.  
Stadhouderskade 6, 1054 ES Amsterdam,  
Netherlands

(111) M 1999 12664 R2

(156) 24 08 1999

(732) REGENT MEDICAL LIMITED

1 Silk Street, London EC2Y 8HQ, United  
Kingdom

(111) M 1999 11505 R2

(156) 12 02 1999

(186) 12 02 2029

(732) IDS Borjomi Beverages Co. N.V.  
Pareraweg 45, Curacao, Netherlands Antilles

(111) M 2009 19153 R1

(156) 30 03 2009

(186) 30 03 2029

(732) SOIRA INVESTMENTS LIMITED  
3076 Sir Francis Drake's Highway, P.O. Box  
3463, Road Town, Tortola, Virgin Islands  
(British)

(111) M 1999 11504 R2

(156) 12 02 1999

(186) 12 02 2029

(732) IDS Borjomi Beverages Co. N.V.  
Pareraweg 45, Curacao, Netherlands Antilles

(111) M 2009 19154 R1

(156) 30 03 2009

(186) 30 03 2029

(732) SOIRA INVESTMENTS LIMITED  
3076 Sir Francis Drake's Highway, P.O. Box  
3463, Road Town, Tortola, Virgin Islands  
(British)

(111) M 1999 11584 R2

(156) 18 02 1999

(186) 18 02 2029

(732) MARIE-CLAIRE NETHERLANDS B.V.  
Emmalaan 25, 1075AT, Amsterdam,  
Netherlands

(111) M 2009 19155 R1

(156) 30 03 2009

(186) 30 03 2029

(732) SOIRA INVESTMENTS LIMITED  
3076 Sir Francis Drake's Highway, P.O. Box  
3463, Road Town, Tortola, Virgin Islands  
(British)

(111) M 1999 12288 R2

(156) 24 05 1999

(186) 24 05 2029

(732) G.D. Searle LLC  
235 East 42 nd Street, New York,  
New York 10017, USA

(111) M 2009 19156 R1

(156) 30 03 2009

(186) 30 03 2029

(732) SOIRA INVESTMENTS LIMITED  
3076 Sir Francis Drake's Highway, P.O. Box  
3463, Road Town, Tortola, Virgin Islands  
(British)

(111) M 1999 12419 R2

(156) 02 07 1999

(186) 02 07 2029

(732) PRUDENTIAL IP SERVICES LIMITED  
Laurence Pountney Hill, London EC4R 0HH,  
United Kingdom

(111) M 1999 11525 R2

(156) 16 02 1999

(186) 16 02 2029

(732) DMC  
13, rue de Pfastatt, 68200 Melhouse, France

(111) M 1999 12420 R2

(156) 02 07 1999

(186) 02 07 2029

(732) PRUDENTIAL IP SERVICES LIMITED  
Laurence Pountney Hill, London EC4R 0HH,  
United Kingdom

(111) M 2008 18590 R1

(156) 11 07 2008

(186) 11 07 2028

(732) I/E "DEVIDZE NONA"  
Nikeas q. 62/37, 4600, Kutaisi, Georgia

(111) M 2008 18600 R1

(156) 11 07 2008

(186) 11 07 2028

(732) JSC Commercial Bank "TBC BANK"  
Rustavelis q. 121, 1200, Borjomi, Georgia

(111) M 2008 18603 R1  
(156) 11 07 2008  
(186) 11 07 2028  
(732) JSC Commercial Bank "TBC BANK"  
Rustavelis q. 121, 1200, Borjomi, Georgia

---

(111) M 2009 19235 R1  
(156) 21 04 2009  
(186) 21 04 2029  
(732) Association "Georgian Glass and Mineral  
Waters "  
"Borjomi" Taping Factory N2  
Sop. Kvibisi, 1209, Borjomis r-ni, Georgia

---

(111) M 2009 19254 R1  
(156) 29 04 2009  
(186) 29 04 2029  
(732) WhiteWave Services Inc. e  
A Delaware Corporation  
300 Delaware Avenue N546, Wilmington,  
Delaware, USA

---

(111) M 2009 19227 R1  
(156) 21 04 2009  
(186) 21 04 2029  
(732) ONOMENTO CO LTD  
Karaiskaki, 38, Kanika Aleqsander CTR,  
Me-2 Flori, Ofisi 213C, P.C.3032, Limasoli,  
Cyprus

---

(111) M 2009 19387 R1  
(156) 27 05 2009  
(186) 27 05 2029  
(732) NOVARTIS AG  
4002 Basel, Switzerland

---

(111) M 1999 12172 R2  
(156) 12 05 1999  
(186) 12 05 2029  
(732) LORD GERMANY GmbH  
Ottostrasse 28, 41836 Hückelhofen,  
Federal Republic of Germany, Germany

---

(111) M 1999 11646 R2  
(156) 18 02 1999  
(186) 18 02 2029  
(732) RHODIA CHIMIE, Societe par Actions  
Simpliffee  
25 rue de Clichy - 75009 Paris, France

---



## CHANGES OF NAMES AND/OR ADDRESS OF OWNERS

(111) M 2008 18748 R

(732) GSC "GEFA"

Akaki Belashvilis q. 142, 0159, Tbilisi,  
Georgia

(770) GSC "GEFA"

Sanapiros q. 6, 0108, Tbilisi Georgia

(580) 04 02 2019

---

## INVALIDATION OF INTERNATIONAL TRADEMARK REGISTRATION

(800) 861308

(151) 14 06 2005

(732) VOICU Petru

str. Iosif Lengyel N5, Municipiul ARAD,  
judet ARAD, Romania

(540)



(141) 2019 02 25

GROUNDS: Order №191/12 of 2019 02 25, of Acting Chairman of Sakpatenti on enforcement of the enacted ruling of 2018 10 31 of Chamber of Civil Cases of Tbilisi Court of Appeals (Case №2/18947-1).

---

## BATEMENT OF TRADEMARK REGISTRATIONS

(111) M 1998 10391 R  
(151) 20 08 1998  
(732) TATA MOTORS LIMITED  
Bombay House, 24 Homi Mody Street,  
HUTATMA-CHOWK, BOMBAY-400001,  
India

---

(111) M 1998 10374 R  
(151) 19 08 1998  
(732) MARS, INC.  
6885 Elm Street, McLean, Virginia  
22101-3883, USA

---

(111) M 1998 10375 R  
(151) 19 08 1998  
(732) MARS, INC.  
6885 Elm Street, McLean, Virginia  
22101-3883, USA

---

(111) M 1998 10247 R  
(151) 17 08 1998  
(732) SANOFI  
54, rue La Boétie, 75008 Paris, France

---

(111) M 1998 10248 R  
(151) 17 08 1998  
(732) SANOFI  
54, rue La Boétie, 75008 Paris, France

---

(111) M 1998 10251 R  
(151) 17 08 1998  
(732) JAPAN TOBACCO INC.  
2-2-1, Toranomoni, Minato-ku, Japan

---

(111) M 1998 10446 R  
(151) 20 08 1998  
(732) BECHER TEXTIL-UND STABLAU  
GMBH  
Gewerbeparkstr. 34, 51580 Reichshof-  
Wehnrath, Germany

---

(111) M 1998 10447 R  
(151) 20 08 1998  
(732) BEKO PLC  
Beko House, Caxton Way, Watford, WD18  
8UF, United Kingdom

---

(111) M 1998 10357 R  
(151) 19 08 1998  
(732) MERCK SHARP & DOHME CORP.  
One Merck Drive, Whitehouse Station,  
New Jersey 08889, USA

---

(111) M 1998 10341 R  
(151) 19 08 1998  
(732) MERCK SHARP & DOHME CORP.  
One Merck Drive, Whitehouse Station,  
New Jersey 08889, USA

---

(111) M 1998 10362 R  
(151) 19 08 1998  
(732) GERBER FOODS INTERNATIONAL  
LIMITED  
392 Bristol Road, Bridgwater, Somerset TA6  
4AT, United Kingdom

---

(111) M 1998 10334 R  
(151) 19 08 1998  
(732) HACHETE FILIPACCHI PRESSE, French  
joint stock company  
149 Rue Anatole France, 92534 Levallois  
Perret Cedex, France

---

(111) M 1998 10347 R  
(151) 19 08 1998  
(732) SPARC INTERNATIONAL, INC.  
1671 Dell Avenue, Suite 204, Campbell,  
California 95008, USA

---

(111) M 1998 10379 R  
(151) 19 08 1998  
(732) American-Cigarette Company (Overseas)  
Limited  
Zählerweg 4, CH-6300 Zug, Switzerland

---

(111) M 1998 10340 R  
(151) 19 08 1998  
(732) SANOFI  
54, rue La Boétie, 75008 Paris, France

---

(111) M 1998 10312 R  
(151) 19 08 1998  
(732) SANOFI  
54, rue La Boétie, 75008 Paris, France

---

(111) M 1998 10475 R  
(151) 20 08 1998  
(732) OFFICIEL MEDIA ENTERPRISES  
LIMITED  
Zakynthou, 4 Kokkinotriminthia, 2660,  
Nicosia, Cyprus

---

(111) M 1998 10260 R  
(151) 18 08 1998  
(732) SOCIETE DE CONCEPTION DE PRESSE  
ET D,EDITION  
149-151 Rue Anatole France, 92300  
Levallois Perret, France

---

(111) M 1998 10244 R  
(151) 14 08 1998  
(732) THE COCA-COLA COMPANY  
One Coca-Cola Plaza, Atlanta, Georgia  
30313, USA

---

(111) M 1998 10261 R  
(151) 18 08 1998  
(732) SILMAR S.P.A.  
Via Torino 14, 36060 Romano d'Ezzelino  
(Vicenza), Italy

---

(111) M 1998 10263P R  
(151) 18 08 1998  
(732) SEMINVEST INVESTMENTS B.V.  
Baronielaan 139, 4818 PD Breda,  
Netherlands

---

(111) M 1998 10419 R  
(151) 20 08 1998  
(732) BEROL CORPORATION  
29 E. Stephenson Street, Freeport, IL 61032,  
USA

---

(111) M 1998 10262 R  
(151) 18 08 1998  
(732) SEMINVEST INVESTMENTS B.V.  
Baronielaan 139, 4818 PD Breda,  
Netherlands

---

(111) M 1998 10263 R  
(151) 18 08 1998  
(732) GILMAR S.P.A.  
Via Malpaso 723/725, 47842 San Giovanni in  
Marignano, Italy

---

(111) M 1998 10275 R  
(151) 19 08 1998  
(732) UNICHEMA CHEMIE B.V.  
1, Buurtje, NL-2802 BE Gouda, Netherlands

---

(111) M 1998 10279 R  
(151) 19 08 1998  
(732) BAUSCH & LOMB INCORPORATED  
One Bausch & Lomb Place, Rochester, NY  
14604-2701, USA

---

(111) M 1998 10423 R  
(151) 20 08 1998  
(732) CIGNA INTELLECTUAL PROPERTY, INC.  
590 Naamans Road, Claymont, Delaware  
19703, USA

---

(111) M 1998 10267 R  
(151) 19 08 1998  
(732) NEXANS FRANCE  
16 rue de Monceau, 75008 Paris, France

---

(111) M 1998 10284 R  
(151) 19 08 1998  
(732) SPEEDO HOLDINGS B.V.  
Claude Debussylaan 24, 1082 MD  
Amsterdam, Netherlands

---

(111) M 1998 10427 R  
(151) 20 08 1998  
(732) MERCK SHARP & DOHME CORP.  
One Merck Drive, Whitehouse Station,  
New Jersey 08889, USA

---

(111) M 1998 10428 R  
(151) 20 08 1998  
(732) OVATION PHARMACEUTICALS, INC.  
Four Parkway North, Suite 200, Deerfield,  
Illinois 60015, USA

---

(111) M 1998 10430 R  
(151) 20 08 1998  
(732) MERCK SHARP & DOHME CORP.  
One Merck Drive, Whitehouse Station,  
New Jersey 08889, USA

---

(111) M 1998 10431 R  
(151) 20 08 1998  
(732) MERCK SHARP & DOHME CORP.

One Merck Drive, Whitehouse Station,  
New Jersey 08889, USA

---

(111) M 1998 10436 R  
(151) 20 08 1998  
(732) MERCK SHARP & DOHME CORP.  
One Merck Drive, Whitehouse Station,  
New Jersey 08889, USA

---

(111) M 1998 10286 R  
(151) 19 08 1998  
(732) BOSE B.V.  
8, Nijverheidstreet, NL-1135 GE EDAM,  
Netherlands

---

(111) M 1998 10287 R  
(151) 19 08 1998  
(732) THE GILLETTE COMPANY LLC  
One Gillette Park, Boston, Massachusetts  
02127, USA

---

(111) M 1998 10440 R  
(151) 20 08 1998  
(732) MERCK SHARP & DOHME CORP.  
One Merck Drive, Whitehouse Station,  
New Jersey 08889, USA

---

(111) M 1998 10290 R  
(151) 19 08 1998  
(732) MERCK SHARP & DOHME CORP.  
One Merck Drive, Whitehouse Station,  
New Jersey 08889, USA

---

(111) M 1998 10294 R  
(151) 19 08 1998  
(732) MERCK SHARP & DOHME CORP.  
One Merck Drive, Whitehouse Station,  
New Jersey 08889, USA

---

(111) M 1998 10297 R  
(151) 19 08 1998  
(732) MERCK SHARP & DOHME CORP.  
One Merck Drive, Whitehouse Station,  
New Jersey 08889, USA

---

(111) M 1998 10386 R  
(151) 20 08 1998  
(732) KUCHENMEISTER GMBH  
Goester Weg 31, 59494 Soest, Germany

---

(111) M 1998 10373 R  
(151) 19 08 1998  
(732) BRITISH-AMERICAN TOBACCO  
(BRANDS) LIMITED  
Globe House, 4 Temple Place London WC2R  
2PG, United Kingdom

---

## LICENSE AGREEMENT

(111) M 2011 22000 R  
 (732) LTD "G-M-P"  
 Zemo Vedzisis q. 103, 0160, Tbilisi, Georgia  
 (791) LTD "SABROSO"  
 Barnovis q. 45, Old Tbilisi District,  
 Tbilisi, Georgia  
 (793) 1571  
 (793) From 22 01 2019 on the validity of the mark  
 (793) Special  
 (793) 43

---

(111) M 2019 30700 R  
 (791) JSC "Tskali Margebeli"  
 Sop. Nabeghlavi, 4915, Chokhatauris r-ni,  
 Georgia  
 (793) 1568  
 (793) 31 05 2018 - 31 05 20 22  
 (793) Special  
 (793) 9, 16, 21, 25, 28, 30, 32, 35, 38, 41, 43

---

(111) M 2019 30701 R  
 (791) JSC "Tskali Margebeli"  
 Sop. Nabeghlavi, 4915, Chokhatauris r-ni,  
 Georgia  
 (793) 1569  
 (793) 31 05 2018-დს 31 05 2022  
 (793) Special  
 (793) 9, 16, 21, 25, 28, 30, 32, 35, 38, 41, 43

---

(800) 911483  
 (732) LTD "VALENTA-INTELLECT"  
 ul. Generala Dorokhova, str. 2, d. 18,  
 RU-119530 Moscow, Russian Federation  
 (791) JSC "VALENTA PHARMACEUTICA"  
 Ul. Fabrichnaya, d. 2, Shcholkovo, 141101,  
 Moskovskaya Oblast, Russian Federation  
 (793) 1540  
 (793) Special  
 (793) From 22 05 2018 on the validity of the mark  
 (793) 5

---

(800) 919234  
 (732) LTD "VALENTA-INTELLECT"  
 str. 2, d. 18, ul. Generala Dorokhova,  
 RU-119530 Moscow, Russian Federation  
 (791) JSC "VALENTA PHARMACEUTICA"  
 Ul. Fabrichnaya, d. 2, Shcholkovo, 141101,  
 Moskovskaya Oblast, Russian Federation  
 (793) 1573  
 (793) Special  
 (793) From 22 02 2019 on the validity of the mark  
 (793) 5

---

(800) 921508  
 (732) LTD "VALENTA-INTELLECT"  
 ul. Generala Dorokhova, str. 2, d. 18,  
 RU-119530 Moscow, Russian Federation  
 (791) JSC "VALENTA PHARMACEUTICA"  
 Ul. Fabrichnaya, d. 2, Shcholkovo, 141101,  
 Moskovskaya Oblast, Russian Federation  
 (793) 1572  
 (793) Special  
 (793) From 22 02 2019 on the validity of the mark  
 (793) 5

---

(800) 1159764  
 (732) BALTIKA BREWERIES  
 3, 6-th Verkhny pereulok RU-194292  
 Saint Petersburg, Russian Federation  
 (791) LTD "KALSBERG AXERBAIJAN"  
 Absheronskiy r-n, Khirdalan, Shomokhins-  
 koe Shosse, pereulok 2, dom 2, Azerbaijan  
 (793) 1570  
 (793) Simple  
 (793) 04 06 2014 - 31 12 2029  
 (793) 32

---

(800) 1262348  
 (732) LTD "VALENTA-INTELLECT"  
 ul. Generala Dorokhova, str. 2, d. 18,  
 RU-119530 Moscow, Russian Federation  
 (791) JSC "VALENTA PHARMACEUTICA"  
 Ul. Fabrichnaya, d. 2, Shcholkovo, 141101,  
 Moskovskaya Oblast, Russian Federation  
 (793) 1541  
 (793) Special  
 (793) From 22 05 2018 on the validity of the mark  
 (793) 5

---

(800) 1310363  
 (732) LTD "VALENTA-INTELLECT"  
 ul. Generala Dorokhova, str. 2, d. 18,  
 RU-119530 Moscow, Russian Federation  
 (791) JSC "VALENTA PHARMACEUTICA"  
 Ul. Fabrichnaya, d. 2, Shcholkovo, 141101,  
 Moskovskaya Oblast, Russian Federation  
 (793) 1574  
 (793) Special  
 (793) From 22 02 2019 on the validity of the mark  
 (793) 5

---

---

# CLASSIFICATION INDEXES

## INVENTIONS

### CONCORDANCE TABLE OF INTERNATIONAL CLASSIFICATION INDEX AND PUBLICATION NUMBERS

INTERNATIONAL CLASSIFICATION INDEXES (51)	NUMBER OF PUBLISHED APPLICATION (10)
A 23 N 5/00	AP 2019 14522 A
A 47 J 43/07; A 47 J 44/00; A 47 J 43/04; A 47 J 43/044; A 47 J 43/046; B 01 F 7/00; B 02 C 23/00	AP 2019 14582 A
A 61 K 31/404; A 61 K 31/138; A 61 K 9/24; A 61 K 9/16	AP 2019 14507 A
A 63 F 03/00	AP 2019 14708 A
C 12 G 1/032	AP 2019 14762 A

### CONCORDANCE TABLE OF PUBLICATION NUMBERS AND INTERNATIONAL CLASSIFICATION INDEX

NUMBER OF PUBLISHED APPLICATION (10)	INTERNATIONAL CLASSIFICATION INDEXES (51)
AP 2019 14507 A	A 61 K 31/404; A 61 K 31/138; A 61 K 9/24; A 61 K 9/16
AP 2019 14522 A	A 23 N 5/00
AP 2019 14582 A	A 47 J 43/07; A 47 J 44/00; A 47 J 43/04; A 47 J 43/044; A 47 J 43/046; B 01 F 7/00; B 02 C 23/00
AP 2019 14708 A	A 63 F 03/00
AP 2019 14762 A	C 12 G 1/032

### CONCORDANCE TABLE OF INTERNATIONAL CLASSIFICATION INDEX, PATENT NUMBERS AND PUBLICATION NUMBERS

INTERNATIONAL CLASSIFICATION INDEX (51)	NUMBER OF PATENT (11)	NUMBER OF PUBLISHED APPLICATION (10)
A 61 K 31/44; C 07 D 455/02; A 01 N 43/90	P 2019 6952 B	AP 2018 14124 A
B 22 F 1/00; B 22 F 3/02; B 22 F 3/23; B 22 F 7/00; B 22 F 7/02; C 22 C 29/14; C 22 C 38/14; C 22 C 1/00; C 22 C 1/04; C 22 C 14/00	P 2019 6955 B	AP 2018 14240 A
B 28 B 19/00; C 04 B 28/14; C 04 B 111/00	P 2019 6953 B	AP 2018 14135 A
C 07 D 471/04; C 07 D 473/34; C 07 D 473/38; C 07 D 487/04; A 61 K 31/4162; A 61 K 31/52	P 2019 6954 B	AP 2018 14179 A

**CONCORDANCE TABLE OF PATENT NUMBERS,  
PUBLICATION NUMBERS AND INTERNATIONAL CLASSIFICATION INDEX**

NUMBER OF PATENT (11)	NUMBER OF PUBLISHED APPLICATION (10)	INTERNATIONAL CLASSIFICATION INDEX (51)
P 2019 6952 B	AP 2018 14124 A	A 61 K 31/44; C 07 D 455/02; A 01 N 43/90
P 2019 6953 B	AP 2018 14135 A	B 28 B 19/00; C 04 B 28/14; C 04 B 111/00
P 2019 6954 B	AP 2018 14179 A	C 07 D 471/04; C 07 D 473/34; C 07 D 473/38; C 07 D 487/04; A 61 K 31/4162; A 61 K 31/52
P 2019 6955 B	AP 2018 14240 A	B 22 F 1/00; B 22 F 3/02; B 22 F 3/23; B 22 F 7/00; B 22 F 7/02; C 22 C 29/14; C 22 C 38/14; C 22 C 1/00; C 22 C 1/04; C 22 C 14/00

**CONCORDANCE TABLE OF APPLICATION NUMBERS, PUBLICATION NUMBERS  
AND PATENTS**

NUMBER OF APPLICATION (21)	NUMBER OF PUBLISHED APPLICATION (10)	NUMBER OF PATENT (11)
AP 2014 14124	AP 2018 14124 A	P 2019 6952 B
AP 2013 14135	AP 2018 14135 A	P 2019 6953 B
AP 2014 14179	AP 2018 14179 A	P 2019 6954 B
AP 2016 14240	AP 2018 14240 A	P 2019 6955 B

## UTILITY MODELS

**CONCORDANCE TABLE OF INTERNATIONAL CLASSIFICATION INDEX  
AND PUBLICATION NUMBERS**

INTERNATIONAL CLASSIFICATION INDEXES (51)	NUMBER OF PUBLISHED APPLICATION (10)
A 61 P 25/08	AU 2019 14892 U
A 62 D 1/00	AU 2019 14765 U
E 02 B 8/06	AU 2019 14651 U

**CONCORDANCE TABLE OF PUBLICATION NUMBERS  
AND INTERNATIONAL CLASSIFICATION INDEX**

NUMBER OF PUBLISHED APPLICATION (10)	INTERNATIONAL CLASSIFICATION INDEXES (51)
AU 2019 14651 U	E 02 B 8/06
AU 2019 14765 U	A 62 D 1/00
AU 2019 14892 U	A 61 P 25/08

**DESIGNS****CONCORDANCE TABLE OF INTERNATIONAL CLASSIFICATION INDEX  
AND PUBLICATION NUMBERS**

INTERNATIONAL CLASSIFICATION INDEXES (51)	NUMBER OF PUBLISHED APPLICATION (10)
06-03	AD 2019 1057 S
19-08	AD 2019 1056 S
21-01	AD 2019 1063 S

**CONCORDANCE TABLE OF PUBLICATION NUMBERS  
AND INTERNATIONAL CLASSIFICATION INDEX**

NUMBER OF PUBLISHED APPLICATION (10)	INTERNATIONAL CLASSIFICATION INDEXES (51)
AD 2019 1056 S	19-08
AD 2019 1057 S	06-03
AD 2019 1063 S	21-01



## TRADEMARKS

### CONCORDANCE TABLE OF REGISTRATION NUMBERS, APPLICATION NUMBERS, PUBLICATION NUMBERS AND BULLETIN NUMBERS

NUMBER OF REGISTRATION (111)	NUMBER OF APPLICATIONS (210)	NUMBER OF PUBLISHED APPLICATIONS (260)	NUMBER OF BULLETIN
M 2019 30847 R	AM 101631	-	5(513)2019
M 2019 30848 R	AM 101649	-	5(513)2019
M 2019 30849 R	AM 101526	-	5(513)2019
M 2019 30850 R	AM 101684	-	5(513)2019
M 2019 30851 R	AM 101675	-	5(513)2019
M 2019 30852 R	AM 101648	-	5(513)2019
M 2019 30853 R	AM 101392	-	5(513)2019
M 2019 30854 R	AM 101642	-	5(513)2019
M 2019 30855 R	AM 101527	-	5(513)2019
M 2019 30856 R	AM 101670	-	5(513)2019
M 2019 30857 R	AM 101669	-	5(513)2019
M 2019 30858 R	AM 101668	-	5(513)2019
M 2019 30859 R	AM 91657	-	5(513)2019
M 2019 30860 R	AM 92222	AM 2018 92222 A	16(500)2018
M 2019 30861 R	AM 92994	AM 2018 92994 A	21(505)2018
M 2019 30862 R	AM 93623	AM 2018 93623 A	20(504)2018
M 2019 30863 R	AM 93624	AM 2018 93624 A	20(504)2018
M 2019 30864 R	AM 93707	AM 2018 93707 A	21(505)2018
M 2019 30865 R	AM 94535	AM 2018 94535 A	20(504)2018
M 2019 30866 R	AM 95020	AM 2018 95020 A	13(497)2018
M 2019 30867 R	AM 95140	AM 2018 95140 A	16(500)2018
M 2019 30868 R	AM 95564	AM 2018 95564 A	16(500)2018
M 2019 30869 R	AM 95751	AM 2018 95751 A	16(500)2018
M 2019 30870 R	AM 95752	AM 2018 95752 A	16(500)2018
M 2019 30871 R	AM 95831	AM 2018 95831 A	16(500)2018
M 2019 30872 R	AM 95975	AM 2018 95975 A	16(500)2018
M 2019 30873 R	AM 95976	AM 2018 95976 A	16(500)2018
M 2019 30874 R	AM 96115	AM 2018 96115 A	17(501)2018
M 2019 30875 R	AM 96116	AM 2018 96116 A	16(500)2018
M 2019 30876 R	AM 96159	AM 2018 96159 A	16(500)2018
M 2019 30877 R	AM 96167	AM 2018 96167 A	21(505)2018
M 2019 30878 R	AM 96168	AM 2018 96168 A	21(505)2018
M 2019 30879 R	AM 96170	AM 2018 96170 A	16(500)2018
M 2019 30880 R	AM 96294	AM 2018 96294 A	16(500)2018
M 2019 30881 R	AM 96295	AM 2018 96295 A	16(500)2018
M 2019 30882 R	AM 96302	AM 2018 96302 A	16(500)2018
M 2019 30883 R	AM 96331	AM 2018 96331 A	19(503)2018
M 2019 30884 R	AM 96350	AM 2018 96350 A	19(503)2018
M 2019 30885 R	AM 96448	AM 2018 96448 A	19(503)2018
M 2019 30886 R	AM 96453	AM 2018 96453 A	19(503)2018
M 2019 30887 R	AM 96463	AM 2018 96463 A	18(502)2018
M 2019 30888 R	AM 96495	AM 2018 96495 A	19(503)2018
M 2019 30889 R	AM 96508	AM 2018 96508 A	18(502)2018
M 2019 30890 R	AM 96509	AM 2018 96509 A	18(502)2018
M 2019 30891 R	AM 96557	AM 2018 96557 A	19(503)2018
M 2019 30892 R	AM 96558	AM 2018 96558 A	19(503)2018
M 2019 30893 R	AM 96562	AM 2018 96562 A	20(504)2018
M 2019 30894 R	AM 96563	AM 2018 96563 A	20(504)2018

1	2	3	4
M 2019 30895 R	AM 96564	AM 2018 96564 A	20(504)2018
M 2019 30896 R	AM 96565	AM 2018 96565 A	20(504)2018
M 2019 30897 R	AM 96679	AM 2018 96679 A	21(505)2018
M 2019 30898 R	AM 96707	AM 2018 96707 A	19(503)2018
M 2019 30899 R	AM 96723	AM 2018 96723 A	18(502)2018
M 2019 30900 R	AM 96732	AM 2018 96732 A	21(505)2018
M 2019 30901 R	AM 96733	AM 2018 96733 A	21(505)2018
M 2019 30902 R	AM 96734	AM 2018 96734 A	21(505)2018
M 2019 30903 R	AM 96841	AM 2018 96841 A	21(505)2018
M 2019 30904 R	AM 96867	AM 2018 96867 A	21(505)2018
M 2019 30905 R	AM 96889	AM 2018 96889 A	21(505)2018
M 2019 30906 R	AM 96974	AM 2018 96974 A	21(505)2018
M 2019 30907 R	AM 96975	AM 2018 96975 A	21(505)2018
M 2019 30908 R	AM 96976	AM 2018 96976 A	21(505)2018
M 2019 30909 R	AM 97001	AM 2018 97001 A	21(505)2018
M 2019 30910 R	AM 97003	AM 2018 97003 A	21(505)2018

**CONCORDANCE TABLE OF PUBLICATION NUMBERS  
AND APPLICATION NUMBERS**

NUMBER OF PUBLISHED APPLICATION (260)	NUMBER OF APPLICATION (210)	1	2
		1	2
AM 2019 96501 A	AM 96501	AM 2019 98670 A	AM 98670
AM 2019 97185 A	AM 97185	AM 2019 98671 A	AM 98671
AM 2019 97893 A	AM 97893	AM 2019 98674 A	AM 98674
AM 2019 98004 A	AM 98004	AM 2019 98675 A	AM 98675
AM 2019 98198 A	AM 98198	AM 2019 98676 A	AM 98676
AM 2019 98210 A	AM 98210	AM 2019 98677 A	AM 98677
AM 2019 98223 A	AM 98223	AM 2019 98678 A	AM 98678
AM 2019 98224 A	AM 98224	AM 2019 98679 A	AM 98679
AM 2019 98225 A	AM 98225	AM 2019 98680 A	AM 98680
AM 2019 98248 A	AM 98248	AM 2019 98681 A	AM 98681
AM 2019 98380 A	AM 98380	AM 2019 98687 A	AM 98687
AM 2019 98391 A	AM 98391	AM 2019 98688 A	AM 98688
AM 2019 98397 A	AM 98397	AM 2019 98689 A	AM 98689
AM 2019 98433 A	AM 98433	AM 2019 98692 A	AM 98692
AM 2019 98441 A	AM 98441	AM 2019 98696 A	AM 98696
AM 2019 98548 A	AM 98548	AM 2019 98755 A	AM 98755
AM 2019 98551 A	AM 98551	AM 2019 98756 A	AM 98756
AM 2019 98564 A	AM 98564	AM 2019 98759 A	AM 98759
AM 2019 98581 A	AM 98581	AM 2019 98760 A	AM 98760
AM 2019 98582 A	AM 98582	AM 2019 98761 A	AM 98761
AM 2019 98668 A	AM 98668	AM 2019 98771 A	AM 98771
		AM 2019 98771 A	AM 98771
		AM 2019 98971 A	AM 98971
		AM 2019 98983 A	AM 98983
		AM 2019 99050 A	AM 99050
		AM 2019 99070 A	AM 99070

CONCORDANCE TABLE OF INDEX OF GOODS AND/OR SERVICES  
AND APPLICATION NUMBERS

INDEX OF GOODS AND/OR SERVICES (511)	NUMBER OF PUBLISHED APPLICATIONS (26)	1	2
1	2		
3	AM 2019 97185 A	33	AM 2019 96501 A
3	AM 2019 98248 A	33	AM 2019 98004 A
5	AM 2019 98548 A	33	AM 2019 98397 A
5	AM 2019 98581 A	33	AM 2019 98551 A
5	AM 2019 98582 A	33	AM 2019 98670 A
5	AM 2019 98674 A	33	AM 2019 98671 A
5	AM 2019 98675 A	33	AM 2019 98689 A
5	AM 2019 98676 A	34	AM 2019 99070 A
5	AM 2019 98677 A	35	AM 20019 98198 A
5	AM 2019 98678 A	35	AM 2019 98248 A
5	AM 2019 98679 A	35	AM 2019 98441 A
5	AM 2019 98680 A	35	AM 2019 98668 A
5	AM 2019 98681 A	35	AM 2019 98755 A
5	AM 2019 98687 A	35	AM 2019 99050 A
5	AM 2019 98756 A	36	AM 2019 98433 A
5	AM 2019 98771 A	36	AM 2019 98692 A
9	AM 2019 98759 A	36	AM 2019 98971 A
9	AM 2019 98760 A	38	AM 2019 98983 A
9	AM 2019 98761 A	39	AM 2019 98223 A
14	AM 2019 98759 A	39	AM 2019 98224 A
14	AM 2019 98760 A	39	AM 2019 98225 A
14	AM 2019 98761 A	39	AM 2019 98696 A
18	AM 2019 98759 A	41	AM 2019 98983 A
18	AM 2019 98760 A	41	AM 2019 98223 A
18	AM 2019 98761 A	41	AM 2019 98224 A
18	AM 2019 99050 A	41	AM 2019 98225 A
19	AM 2019 97893 A	41	AM 2019 98380 A
25	AM 2019 98198 A	41	AM 2019 98564 A
25	AM 2019 98391 A	41	AM 2019 98668 A
25	AM 2019 98759 A	42	AM 2019 98971 A
25	AM 2019 98760 A	42	AM 2019 98983 A
25	AM 2019 99050 A	43	AM 2019 98223 A
32	AM 2019 98210 A	43	AM 2019 98224 A
32	AM 2019 98670 A	43	AM 2019 98225 A
32	AM 2019 98671 A	43	AM 2019 98441 A
		43	AM 2019 98564 A
		43	AM 2019 98692 A
		44	AM 2019 98248 A
		44	AM 2019 98688 A

CONCORDANCE TABLE OF INDEX OF GOODS AND/OR SERVICES  
AND NUMBERS OF TRADEMARKS REGISTERED ACCORDING  
TO THE ACCELERATED PROCEDURE

INDEX OF GOODS AND/OR SERVICES (511)	NUMBERS OF REGISTERED ACCORDING TO THE ACCELERATED PROCEDURE (111)
5	M 2019 30851 R
12	M 2019 30852 R
29	M 2019 30850 R
30	M 2019 30850 R
30	M 2019 30859 R
32	M 2019 30853 R
33	M 2019 30855 R
35	M 2019 30852 R
39	M 2019 30849 R
39	M 2019 30852 R
43	M 2019 30847 R
43	M 2019 30848 R
43	M 2019 30854 R
43	M 2019 30856 R
43	M 2019 30857 R
43	M 2019 30858 R

# **OFFICIAL BULLETIN OF THE INDUSTRIAL PROPERTY**

**INVENTIONS**

**UTILITY MODELS**

**DESIGNS**

**TRADEMARKS**

**GEOGRAPHICAL INDICATIONS AND APPELLATIONS OF ORIGIN  
OF GOODS**

**5(513)**

EDITOR-IN-CHIEF: N. Bebrishvili

EDITOR-TRANSLATOR: E. Gabunia

PROOFREADER: A. Shikhashvili

COMPUTER LAYOUT: M. Ordenidze  
K. Svanidze

[www.sakpatenti.gov.ge](http://www.sakpatenti.gov.ge)

E-mail: [info@sakpatenti.org.ge](mailto:info@sakpatenti.org.ge)