

Official Bulletin of the Industrial Property

Inventions

Utility Models

Designs

Trademarks



საქართველოს ინტელექტუალური
საკუთრების ეროვნული ცენტრი

საქპატენტი

SAKPATENTI

NATIONAL INTELLECTUAL PROPERTY
CENTER OF GEORGIA

www.sakpatenti.gov.ge

Date of Publication – 2022 03 10

5(584)

INID CODES FOR IDENTIFICATION OF BIBLIOGRAPHIC DATA

INVENTIONS, UTILITY MODELS

- (10) Number of publication for application, which has been examined
- (11) Number of patent and kind of document
- (21) Serial number of application
- (22) Date of filing of the application
- (23) Date of exhibition or the date of the earlier filing and the number of application, if any
- (24) Date from which patent may have effect
- (31) Number of priority application
- (32) Date of filing of priority application
- (33) Code of the country or regional organization allotting priority application number
- (44) Date of publication of application not granted, but examined and number of bulletin
- (45) Date of publication of registered document
- (51) International Patent Classification Index

- (54) Title of the invention
- (57) Abstract
- (60) Number of examined patent document granted by foreign patent office, date from which patent has effect and country code
- (62) Number of the earlier application and in case of divided application, date of filing an application
- (71) Name, surname and address of applicant (country code)
- (72) Name, surname of inventor (country code)
- (73) Name, surname and address of patent owner (country code)
- (74) Name, surname of representative or patent attorney
- (85) Date of commencement of the national phase of International Application
- (86) Number and date of filing of international application
- (87) Number and date of publication of international application
- (94) Calculated date of expiry of the SPC or the duration of the SPC

DESIGNS

- (10) Number of publication for application
- (11) Number of patent and kind of document or number of registration
- (15) Date of registration/Date of patent renewal
- (18) Expected expiration date of patent or registration
- (21) Serial number of application
- (22) Date of filing of the application
- (23) Date of exhibition or the date of the earlier filing and the number of application, if any
- (24) Date from which patent may have effect
- (28) Number of designs included in the application
- (30) Data relating to priority (number of application, date of filing of application, two-letter code identifying the authority with whom the priority application was made)
- (31) Number of priority application
- (32) Date of filing of priority application
- (33) Code of the country or regional organization allotting priority application number
- (34) Two-letter code according to WIPO St.3 identifying the authority with which the priority application was made
- (44) Date of publication of design and number of bulletin (the first publication)
- (45) Date of publication of design registered by WIPO and number of bulletin

- (51) International Classification for designs (class and subclass of the Locarno Classification)
- (54) Title of the invention
- (55) Reproduction of the design
- (57) Description of characteristic features of the design including indication of colors
- (58) Date of recording of any kind of amendment in the Register
- (62) Number of the earlier application, registration and document number and if available the date of filing an application in case of divided application
- (71) Name, surname and address of applicant (country code)
- (72) Name, surname of creator (country code)
- (73) Name, surname and address of patent owner (country code)
- (74) Name, surname of representative or patent attorney
- (81) Contracting states concerned
 - II designated contracting states according to the 1960 Act
 - III designated contracting states according to the 1999 Act
- (85) Owner's permanent address
- (86) Owner's nationality
- (87) Owner's residence
- (88) State in which the owner has a real and effective industrial or commercial establishment

TRADEMARKS

- (111) - Number of registration
- (151) - Date of registration
- (156) - Date of the renewal
- (181) - Expected expiration date of registration
- (186) - Renewal expiration date of registration
- (141) - Date of cancel of duration of the mark
- (210) - Serial number of application
- (220) - Date of filing of the application
- (230) - Data concerning exhibition
- (260) - Number of application, for which favorable decision of examination about registration has been taken (publication number)
- (310) - Number of the first application
- (320) - Date of filing of the first application
- (330) - Code, identifying national or regional Office where the first application was made
- (511) - International Classification of Goods and Services for the purposes of registration of trade marks and/or list of goods and/or services classified according thereto
- (526) - Disclaimer
- (531) - Description of figurative elements of Trade Marks according to the International Classification of the Figurative Elements of Marks

- (540) - Reproduction of Trade Mark
- (550) - Nature and kind of Trade Mark
- (551) - Indication to the effect that the mark is a collective mark, a certification mark or a guarantee mark
- (554) - Three-dimensional mark
- (580) - Date of recording of any kind changes in respect of applications or registrations
- (591) - Information concerning colors claimed
- (731) - Name and address of the applicant
- (732) - Name and address of the holder of the registration
- (740) - Name and address of the representative
- (750) - Addreses for correspondence
- (770) - Name and address of the previous applicant or holder in case of change in ownership
- (771) - Previous name and address of the applicant or holder in case of change in ownership
- (791) - Name and address of the licensee
- (793) - Indication of conditions and/or restrictions under the license (Type of license, number of license agreement, data of license, data of validity of license)
- (800) - Certain data relating to the international registration of Trade Marks under the Protocol Relating to Madrid Agreement (International registration number
- (852) - Partial cancellation of the list of goods and services
- (891) - Date of subsequent designation

CODES FOR PUBLICATION IN BULLETIN

- (21) AP 0000 000000 - serial number of application for invention
- (10) AP 0000 0000 A - number of published application for invention (first publication)
- (11) P 0000 0000 B - number of patent for invention (second publication)
- (21) API 0000 000000 - number of application for imported patent
- (11) PI 0000 0000 A - number of imported patent (first publication)
- (21) AU 0000 000000 - serial number of application for utility model
- (10) AU 0000 000 U - number of published application for utility model (first publication)
- (11) U 0000 000 Y - number of patent for utility model (second publication)
- (21) AD 0000 000000 - serial number of application for design
- (10) AD 0000 000 S - number of published application for design (first publication)
- (11) D 0000 000 S - registered design

INTERNATIONAL PATENT CLASSIFICATION FOR INVENTIONS AND UTILITY MODELS

- SECTION A - HUMAN NECESSITIES
- SECTION B - PERFORMING OPERATIONS; TRANSPORTING
- SECTION C - CHEMISTRY; METALLURGY
- SECTION D - TEXTILES; PAPER
- SECTION E - FIXED CONSTRUCTIONS
- SECTION F - MECHANICAL ENGINEERING; LIGHTING; HEATING; WEAPONS; BLASTING
- SECTION G - PHYSICS
- SECTION H - ELECTRICITY

-
- M - Trade Mark
 - (210) AM 0000 000000 - Serial number of application;
 - (260) AAM 0000 00000 A - Publication number of application;
 - (111) M 0000 00000 R - Number of registration;
 - (111) MMM0000 00000 Rn - Number of renewals, in which n=1,2,3;
 - (111) M 0000 00000 R(P) - Number of registration under partial assignment of rights
-

Official Bulletin of the Industrial Property

Inventions

Utility Models

Designs

Trademarks

CONTENT

PUBLISHED TITLES OF PROTECTION	3
INVENTIONS	
▪ APPLICATIONS APPROVED FOR GRANTING PATENT	4
▪ PATENTED INVENTIONS	6
UTILITY MODELS	
▪ APPLICATIONS APPROVED FOR GRANTING PATENT	8
▪ PATENTED UTILITY MODELS	10
DESIGNS	
▪ APPLICATIONS APPROVED FOR REGISTRATION	11
▪ REGISTERED DESIGNS	13
▪ DESIGNS, WHICH HAVE BEEN REGISTERED WITH THE INTERNATIONAL BUREAU CLAIMING PRIORITY ON THE TERRITORY OF GEORGIA	14
TRADEMARKS	
▪ APPLICATIONS FILED UNDER THE NATIONAL PROCEDURE APPROVED FOR REGISTRATION	26
▪ REGISTERED TRADEMARKS	34
▪ TRADEMARKS REGISTERED ACCORDING TO THE ACCELERATED PROCEDURE	35
▪ INTERNATIONAL TRADEMARKS FOR WHICH A DECISION ON GRANTING PROTECTION IS TAKEN	37
▪ INTERNATIONAL TRADEMARKS PROTECTED IN GEORGIA	80
OFFICIAL NOTIFICATIONS	
INVENTIONS	
▪ RESTORATION OF PATENTS	89
▪ ABOLITION OF PATENTS WITH THE RIGHT TO RESTORE	90
▪ EXPIRATION OF TERMS OF RESTORATION OF PATENT	92
▪ CHANGES OF NAMES AND/OR ADDRESSES OF PATENTOWNERS	92
UTILITY MODELS	
▪ RESTORATION OF PATENT	93
▪ ABOLITION OF PATENTS WITH THE RIGHT TO RESTORE	93
▪ EXPIRATION OF TERMS OF RESTORATION OF PATENT	93
DESIGNS	
▪ EXTENSION OF TERMS OF DESIGNS REGISTRATION	94
▪ EXTENSION OF TERMS OF INTERNATIONAL DESIGNS REGISTRATION	94
TRADEMARKS	
▪ EXTENSION OF TERMS OF TRADEMARKS REGISTRATION	98
▪ COMPLETE TRANSFER OF RIGHTS	102
▪ CHANGES OF NAMES AND/OR ADDRESSES OF TRADEMARKS OWNER	103
▪ CANCELLATION OF TRADEMARKS REGISTRATION	105
▪ INTERNATIONAL LICENSES AGREEMENTS	107
CLASSIFICATION INDEXES	
INVENTIONS	108
UTILITY MODELS	109
DESIGNS	110
TRADEMARKS	112

PUBLISHED TITLES OF PROTECTION

INVENTIONS

- **APPLICATIONS APPROVED FOR GRANTING PATENT:**
15229; 15579; 15559
- **PATENTED INVENTIONS:**
7359-7363

UTILITY MODELS

- **APPLICATIONS APPROVED FOR GRANTING PATENT:**
15637; 15699; 15519
- **PATENTED UTILITY MODEL:**
2111

DESIGNS

- **APPLICATIONS APPROVED FOR REGISTRATION:**
1248; 1250
- **REGISTERED DESIGNS:**
924, 925
- **DESIGNS, WHICH HAVE BEEN REGISTERED WITH THE INTERNATIONAL BUREAU CLAIMING PRIORITY ON THE TERRITORY OF GEORGIA:**
215012; 217827; 217929; 217937; 218025; 215238

TRADEMARKS

- **APPLICATIONS FILED UNDER THE NATIONAL PROCEDURE APPROVED FOR REGISTRATION:**
85823*; 110126; 110210; 110377; 112675; 113219; 113375; 113780; 113879; 113978; 113984; 113994-113998; 114029; 114033; 114040, 114041; 114043; 114045-114047; 114051; 114053, 114054; 114132; 114137-114139; 114142; 114219, 114220; 114227, 114228; 114230; 114325-114327; 114331, 114332; 114336; 114343; 114399; 114413; 114423
- **REGISTERED TRADEMARKS:**
35110; 35112
- **TRADEMARKS REGISTERED ACCORDING TO THE ACCELERATED PROCEDURE:**
35108, 35109; 35111; 35113-35118
- **INTERNATIONAL TRADEMARKS FOR WHICH A DECISION ON GRANTING PROTECTIONS IS TAKEN:**
110618; 111805; 112831; 112869; 112871; 112968-112971; 112989; 112993-112996; 112998-113004; 113006, 113007; 113053, 113054; 113056, 113057; 113059, 113060; 113074; 113076, 113077; 113079; 113087, 113088; 113152; 113164-113167; 113169- 113171; 113173; 113177; 113180; 113299-113301; 113330; 113442; 113465; 113467; 113469, 113470, 113480; 113482; 113524- 113527; 113532, 113533; 113535; 113551-113555; 113568, 113569; 113744; 113755-113759; 113761; 113845; 113890-113893; 113939-113941; 113943; 114021; 114119-114121
- **INTERNATIONAL TRADEMARKS PROTECTED IN GEORGIA:**
105589; 106330; 106425; 109475; 109876; 110154; 111316; 111356, 111357; 111387, 111388; 111392; 111461-111465; 111491-111493; 111495; 111560-111564; 111574; 111622-111625; 111637; 111639; 111653; 111655-111662; 111672; 111683-111685; 111760; 111769, 111770; 111781; 111787-111791; 111803; 111808; 111810; 111815, 111816; 111826; 111888, 111889; 111896-111898; 111901-111903; 111905, 111906; 111908, 111909; 111920; 111922, 111923; 111978, 111979; 111983, 111984; 111989, 111990; 112005; 112007; 112009; 112012; 112015; 112017; 112021; 112032-112039; 112116; 112126; 112129; 112134, 112135; 112151; 112163; 112200; 112205; 112218; 112237; 112251, 112252; 112313, 112314; 112318; 112320; 112324; 112339; 112353-112355; 112357; 112435; 112445; 112467; 112786

INVENTIONS

APPLICATIONS APPROVED FOR GRANTING PATENT

The decision can be appealed at the Chamber of Appeal of Sakpatenti within 3 months from the publication or at the Mtskheta District Court Administrative Cases Board (Address: №17, Samkhedro St., Mtskheta), within 1 month following the publication.

PART A

A 61

- (10) AP 2022 15229 A (51) Int. Cl. (2006)
A 61 K 39/095
C 08 B 37/00
C 08 H 1/00
C 08 L 5/00
- (21) AP 2018 15229 (22) 2018 05 03
(31) 201721015961
(32) 2017 05 05
(33) IN
(71) Serum Institute Of India Private Limited (IN)
212/2, Off Soli Poonawalla Rd., Hadapsar, Pune,
Maharashtra 411028, India (IN)
(72) DHERE, Rajeev Mhalasakant (IN);
ANNAMRAJU, Dattatreya Sarma (IN);
PISAL, Sambhaji Shankar (IN)
(74) Giorgi Ghvinjilia
(85) 2019 12 04
(86) PCT/IB2018/053069, 2018 05 03
(54) METHOD FOR REMOVAL OF
IMPURITIES FROM BACTERIAL
CAPSULAR POLYSACCHARIDE
BASED PREPARATIONS
(57) Present invention relates to a process for
isolation of bacterial capsular polysaccharides from
Neisseria Meningitidis serotypes. The invention
relates to a vaccine, and immunogenic composition
containing polysaccharide antigen obtained by this
method, as well.
Claims: 5 independents
38 dependents
Fig.: 5
-

PART B

B 64

- (10) AP 2022 15579 A (51) Int. Cl. (2006)
B 64 D 27/10
F 02 K 3/77
- (21) AP 2021 15579 (22) 2021 03 05
(71) LLC "Georgian Aviation University" (GE)
Ketevan Dedopali Ave. 16, Tbilisi,
Georgia (GE)
(72) Andro Maisuradze (GE);
Sergo Tepnadze (GE);
Giorgi Mushkudiani (GE)
(74) Andro Maisuradze
(54) TWO-CONTOUR TURBOJET DRIVE
HAVING COMBINED DEVICE
PROTECTING THEREFROM
INFLUENCE OF FOREIGN
BODIES
(57) A drive is formed with two-contour basic turbojet
drive, and a device protecting from foreign bodies,
wherein said device includes bladed impeller having
the blades capable to be configured in the position of
arrow; at that, three grids 30, 33 and 34 having
various spaces cells are disposed in basic turbojet
drive air intake 1 in front of bladed impeller in
sequence, and the blades are capable to change
position from folded to arrow, wherefor they are
equipped with the drive. In addition to said above the
device protecting from foreign body includes conic
component 36 disposed in front of air intake 1, and
connected to air intake case with forceful frame 35;
the channels passing air or liquid are executed in
forceful frame and conic component, equipped with
outlet perforation; and reactive nozzles 38 spraing
supersonic air or powerful liquid flows creating an
angle relative to fly direction.
Claims: 1 independent
3 dependents

Fig.: 12

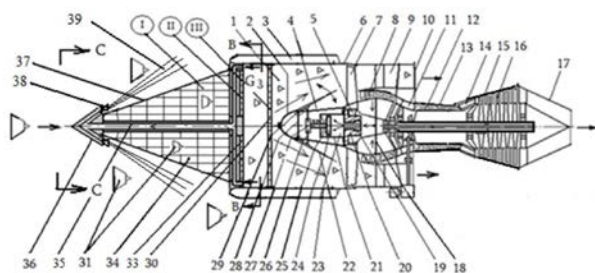


Fig. 1

PART E

E 03

(10) AP 2022 15559 A (51) Int. Cl. (2006)
E 03 B 1/00

(21) AP 2021 15559 (22) 2021 02 12

(71) Savle Chkhitunidze (GE)
K. Timiryazev St. 20, Sokhumi, Georgia (GE)

(72) Savle Chkhitunidze (GE)

(54) WATER SUPPLY SYSTEM WITH
PRINCIPLE OF COMMUNICATING
VESSELS

(57) A system includes a reservoir 1 connected to water source, two tanks 13 and 6, in one wherefrom the filter 4 connected to another tank with the principle of communicating vessels together with pure water pipe having a sump 7 are placed; at that, the tank having the filter is equipped with a floater 3, whereon corrugated pipe with a filter for flowing itself the water supplement, a valve 8 suppling automatically with the water is mounted into another tank, by which the tank is always filled out with pure water; at that, regulating valve is connected to another floater 9 placed in another tank, whereon the corrugated pipe 10 is connected to distributing pipe 11, and a pipe 12 is connected to the reservoir to release excessive water.

Claims: 1 independent

Fig.: 1

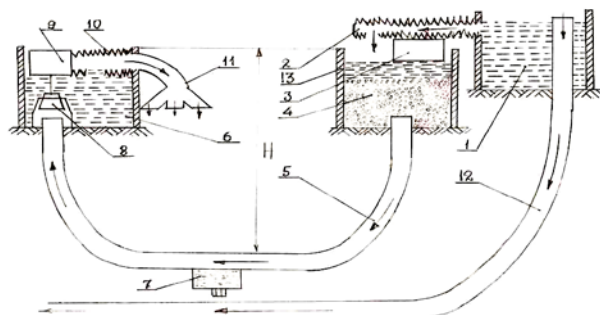


Fig. 1

PATENTED IVENTIONS

PART A

A 01

- (11) P 2022 7363 B (51) Int. Cl. (2006)
A 01 K 61/00
- (10) AP 2021 15380 A (44) 20(576)/2021
- (21) AP 2020 15380
- (22) 2020 06 25
- (24) 2020 06 25
- (73) Ramaz Petremghvdlisshvili (GE)
Tibaani St. 72, Tbilisi, Georgia (GE);
Giorgi Gagua (GE)
Tashkent St. 5, app. 173, Rustavi,
Georgia (GE);
Omar Akhmetelashvili (GE)
I. Abashidze St. 61 app. 20, Tbilisi,
Georgia (GE);
- (72) Ramaz Petremghvdlisshvili (GE);
Giorgi Gagua (GE);
Omar Akhmetelashvili (GE)
- (54) AQUARIUM FISH COMPLEX
EXCITATING DEVICE

A 23

- (11) P 2022 7360 B (51) Int. Cl. (2006)
A 23 L 33/105
A 61 Q 19/08
- (10) AP 2021 15237 A (44) 18(574)/2021
- (21) AP 2017 15237
- (22) 2017 12 15
- (24) 2017 12 15
- (86) PCT/JP2017/045207, 2017 12 15
- (73) NAGAO, Tsukasa (JP)
141-1 Kamiteru-cho, 5260015, Nagahama-shi
Siga, Japan (JP)
- (72) NAGAO, Tsukasa (JP)
- (74) Khatuna Imnadze
- (54) ANTI-AGING HEALTH FOOD AND
COSMETIC AND METHOD FOR
PRODUCING GRAPESEED-DERIVED
ANTI-AGING COMPONENT

A 61

- (11) P 2022 7359 B (51) Int. Cl. (2006)
A 61 K 31/519
A 61 K 31/53
A 61 P 35/00
C 07 D 471/04
C 07 D 487/04
- (10) AP 2021 15385 A (44) 20(576)/2021
- (21) AP 2018 15385
- (22) 2018 12 13
- (24) 2018 12 13
- (31) 201721044886; 201821024634; 201821040029
- (32) 2017 12 13; 2018 07 02; 2018 10 23
- (33) IN; IN; IN
- (86) PCT/IB2018/060015, 2018 12 13
- (73) Lupin Limited (IN)
Kalpataru Inspire, 3rd Fl., Off Western
Expresse Highway Santacruz (East),
Maharashtra Mumbai 400055, India (IN)
- (72) KULKARNI, Sanjeev, Anant (IN);
HAJARE, Anil, Kashiram (IN);
GUDADE, Ganesh, Bhausahab (IN);
SETHI, Sachin (IN);
GORE, Balasaheb, Arjun (IN);
SINDKHEDKAR, Milind, Dattatraya (IN);
KAMBOJ, Rajender, Kumar (IN);
TRYAMBAKE, Mahadeo, Bhaskar (IN);
PALLE, Venkata, P. (IN);
LAGAD, Dipak, Raychand (IN);
NAIR, Prathap, Sreedharan (IN);
KULKARNI, Chaitanya, Prabhakar (IN);
PAWAR, Chetan, Sanjay (IN)
- (74) Larisa Amirkhanyan
- (54) SUBSTITUTED BICYCLIC HETERO-
CYCLIC COMPOUNDS AS PRMT5
INHIBITORS

PART B

B 65

- (11) P 2022 7362 B (51) Int. Cl. (2006)
B 65 D 85/10
- (10) AP 2021 15628 A (44) 21(577)/2021
- (21) AP 2021 15628
- (22) 2021 05 13
- (24) 2021 05 13
- (73) Niko Melikidze (GE)
Nutsubidze II Plateau, III qu., corp. 1, app. 10,
Tbilisi, Georgia (GE)

(72) Niko Melikidze (GE)
(54) PACKAGE FOR CIGARETTES

PART E

E 02

(11) P 2022 7361 B (51) Int. Cl. (2006)
E 02 B 9/04
(10) AP 2021 15582 A (44) 20(576)/2021
(21) AP 2021 15582
(22) 2021 03 11
(24) 2021 03 11
(73) Georgian Technical University (GE)
M. Kostava St. 77, Tbilisi, Georgia (GE);
Davit Gurgenidze (GE)
Ir. Abashidze St. 42, app. 57, Tbilisi,
Georgia (GE);
Levan Klimiashvili (GE)
Iia Chavchavadze Av. 11, app. 89, Tbilisi,
Georgia (GE);
Giorgi Omsarashvili (GE)
Didi Dighomi, I mcr., G. Brtskinvale St. 41,
app. 14, Tbilisi, Georgia (GE)
(72) Davit Gurgenidze (GE);
Levan Klimiashvili (GE);
Giorgi Omsarashvili (GE)
(54) WATERINTAKING CONSTRUCTION
DISPOSED UNDER RIVERBED

UTILITY MODELS

APPLICATIONS APPROVED FOR GRANTING PATENT

The decision can be appealed at the Chamber of Appeal of Sakpatenti within 3 months from the publication or at the Mtskheta District Court Administrative Cases Board (Address: №17, Samkhedro St., Mtskheta), within 1 month following the publication.

PART A

A 61

- (10) AU 2022 15637 U (51) Int. Cl. (2006)
A 61 L 2/16
(21) AU 2021 15637 (22) 2021 05 24
(71) LLC "Eco Bohemia" (GE)
Vill. Tserovani, 3318, Mtskheta, Georgia (GE)
(72) Koba Gachechiladze (GE)
(54) DISINFECTANT ANTIBACT
(57) A disinfectant includes hydrogen peroxide, glacial acetic acid, orthophosphoric acid, ethylenediaminetetraacetic acid sodium salt (sodium edta), concentrated sulfuric acid, and the water.
Claims: 1 independent
2 dependents

device is equipped with, at least, one power converter.

Claims: 1 independent
3 dependents

Fig.: 2

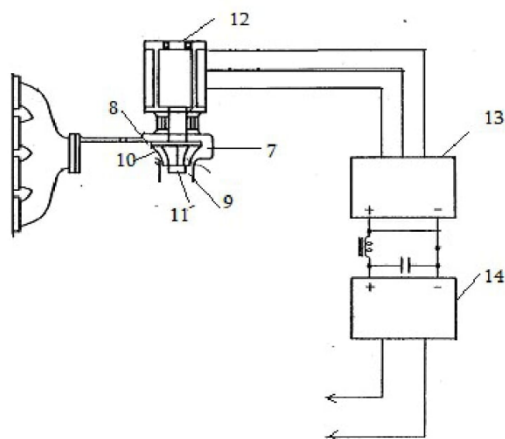


Fig. 1

PART F

F 01

- (10) AU 2022 15699 U (51) Int. Cl. (2006)
F 01 K 23/10
(21) AU 2021 15699 (22) 2021 07 19
(71) Revaz Giorganashvili (GE)
Didi Dighomi, Demetre Tavaddebuli St. 6,
app. 40, 0131, Tbilisi, Georgia (GE);
Zezva Jaiani (GE)
Tskneti St. 4a, app. 32, 0162, Tbilisi,
Georgia (GE)
(72) Revaz Giorganashvili (GE);
Zezva Jaiani (GE)
(74) Khatuna Imnadze
(54) VEHICLE INTERNAL COMBUSTION
ENGINE EXHAUST GASES DISPOSAL
DEVICE
(57) A device includes a node converting the gases exhausted from an engine connected to exhausted gases collector 4, wherein said node is executed as a chamber 7 and a turbine 10 placed therein; turbine shaft 11 is connected to the AC power generator 12 installed outside of chamber. Said chamber has entrance and exit holes 8 and 9 executed correspondingly, and capable to be connected to collector and exhausted gases outlet pipe 6; furthermore, the

F 03

- (10) AU 2022 15519 U (51) Int. Cl. (2006)
F 03 D 5/00
(21) AU 2020 15519 (22) 2020 12 16
(71) Archil Geguchadze (GE)
A. Chekhov St. 25, 4600, Kutaisi,
Georgia (GE);
Anzori Kuparadze (GE)
Arzakan Emkhvari St., I Lane. bld. 1, app. 7,
0159, Tbilisi, Georgia (GE);
Nata Sulakvelidze (GE)
Arzakan Emkhvari St., I Lane. bld. 1, app. 7,
0159, Tbilisi, Georgia (GE);
LEPL "Shota Rustaveli National Scientific
Foundation of Georgia" (GE)
Merab Aleksidze St., II Lane 2, 0193, Tbilisi,
Georgia (GE)
(72) Archil Geguchadze (GE);
Anzori Kuparadze (GE);
Nata Sulakvelidze (GE)
(54) CONIC WIND WHEEL
(57) Conic wind wheel includes fastened to a clew 1 with equal intervals and disposed radially and inclined relative thereto the blades 2 writing cut conic surface at the rotation. Rotational axis is inclined relative to a horizon, and inserted into rotational

support 5 equipped with horizontal hinge 7 for the purpose to be connected to vertical rotational support 6 on the pole with horizontal hinge 7; at that, having shape of written at the rotation the cut conic surface and spreaded along the surface the shield 3 is rigidly connected bellow to wind wheel.

Claims: 1 independent

Fig.: 6

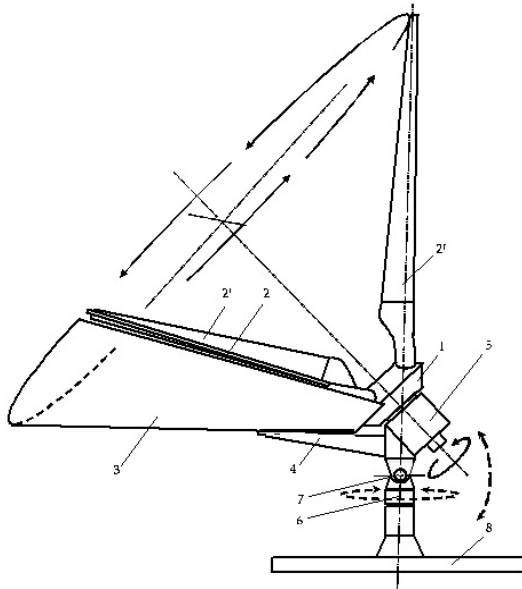


Fig. 1

PATENTED UTILITY MODEL

PART C

C 12

(11) U 2022 2111 Y (51) Int. Cl. (2006)
C 12 G 3/025

(10) AU 2021 15359 U (44) 18(574)/2021

(21) AU 2020 15359

(22) 2020 06 07

(24) 2020 06 07

(71) Levan Tsirghvava (GE)

Gurieli St. 13, 0186, Tbilisi, Georgia (GE)

(72) Levan Tsirghvava (GE)

(74) Pavle Meipariani

(54) LOW ALCOHOL TONIC

DESIGNS

APPLICATIONS APPROVED FOR REGISTRATION

The decision can be appealed at the Chamber of Appeal of Sakpatenti within 3 months from the publication or at the Mtskheta District Court Administrative Cases Board (Address: №17, Samkhedro str., Mtskheta), within 1 month following the publication.

- (10) AD 2022 1248 S (51) 01-01
(21) AD 2021 1248 (22) 2021 11 03
(28) 1
(71) Ketevan Meshveliani (GE)
 Davit Aghmashebeli Ave. 147, 0112, Tbilisi, Georgia (GE)
(72) Ketevan Meshveliani (GE)
(74) Nikoloz Gogilidze (GE)
(54) CHOCOLATE
(55)

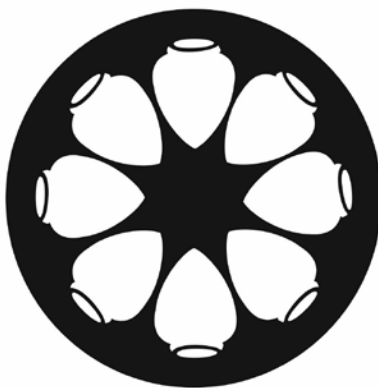


1.1



1.2

- (10) AD 2022 1250 S (51) 32-00
(21) AD 2021 1250 (22) 2021 12 06
(28) 1
(71) Teona Lazashvili (GE)
 Didi Dighomi, IV mcr., bld. 29, app. 69, 0131, Tbilisi, Georgia (GE)
(72) Teona Lazashvili (GE)
(54) LOGO
(55)



1.1

REGISTERED DESIGNS

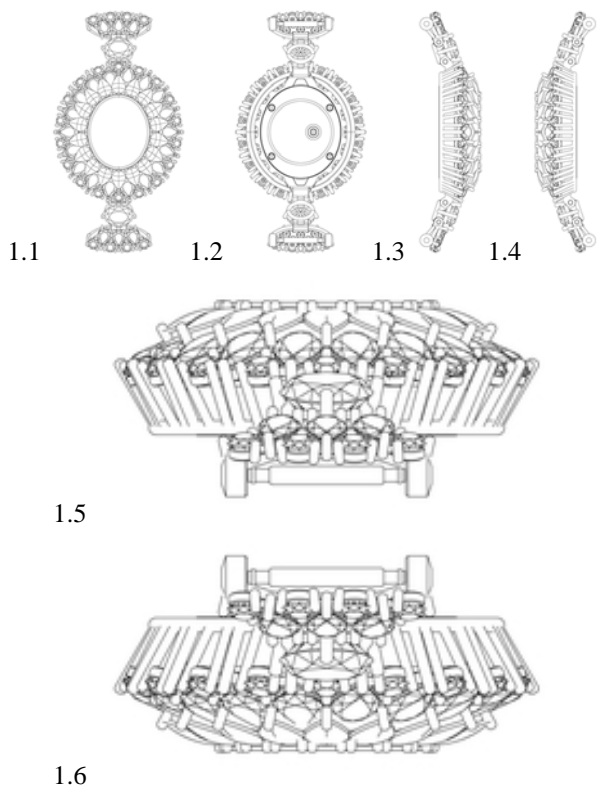
(11) D 2022 924 S (51) 15-07
(10) AD 2021 1237 S (44) 2021 11 25 №21
(21) AD 2021 1237
(22) 2021 08 20
(24) 2021 08 20
(28) 1
(18) 2026 08 20
(73) Giorgi Tsabolashvili (GE)
 Mukhiani, I mcr., corp. B, app. 404, 0172,
 Tbilisi, Georgia (GE)
(72) Giorgi Tsabolashvili (GE)
(54) BOTTLE-SHAPED REFRIGERATOR

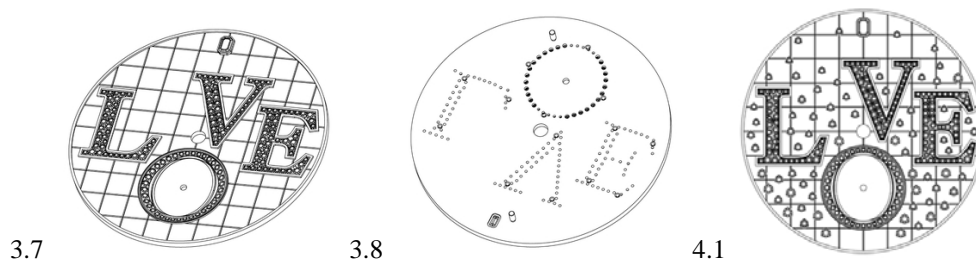
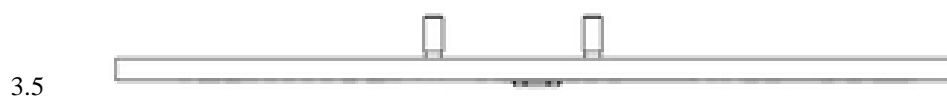
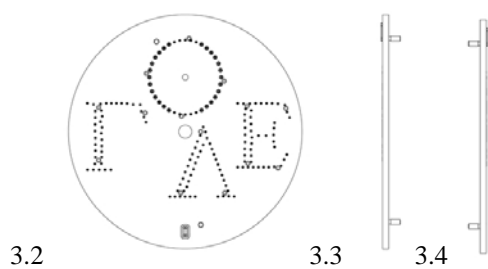
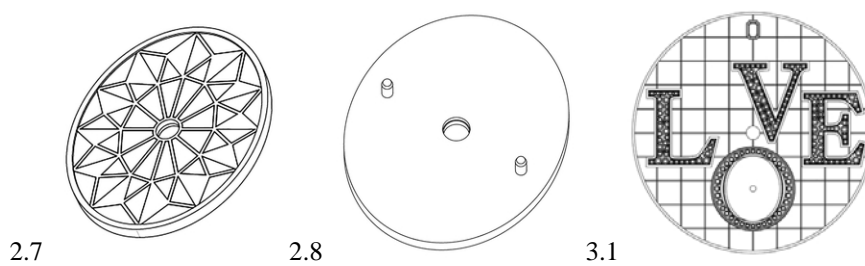
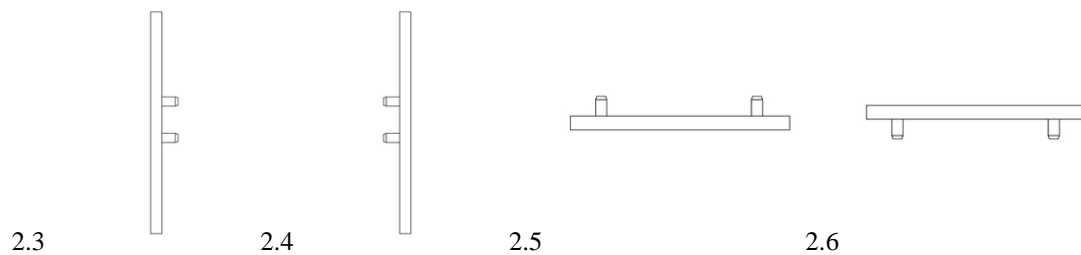
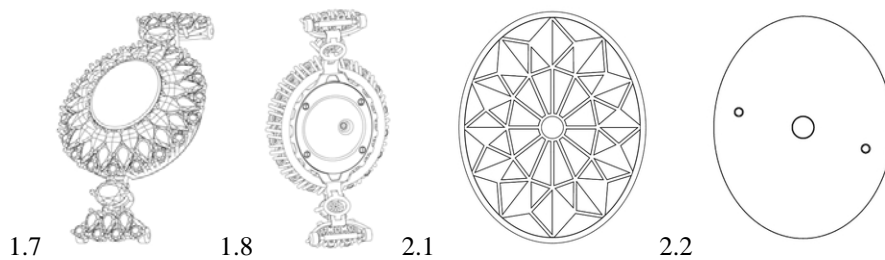
(11) D 2022 925 S (51) 20-02
(10) AD 2021 1221 S (44) 2021 11 25 №21
(21) AD 2021 1221
(22) 2021 06 10
(24) 2021 06 10
(28) 1
(18) 2026 06 10
(73) LTD "Moseirne Dapa" (Walking
 Blackboard) (GE)
 Ts. Dadiani St. 34, corp. 13, app. 7, 0180,
 Tbilisi, Georgia (GE)
(72) Merab Makharadze (GE)
(54) ADVERTISING BLACKBOARD

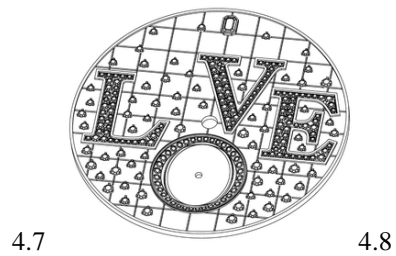
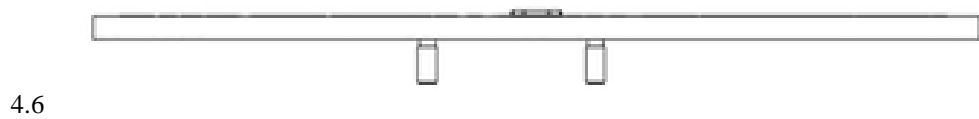
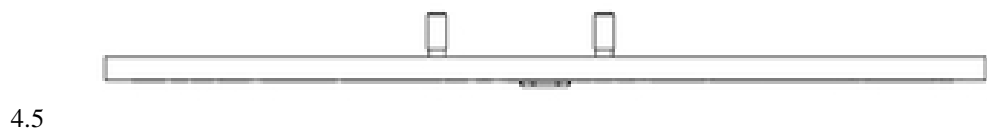
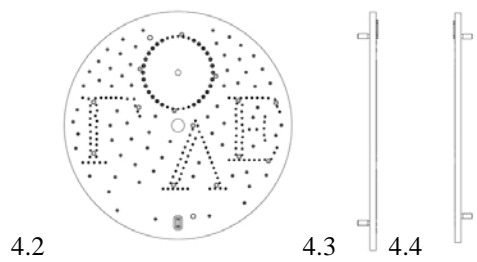
DESIGNS, WHICH HAVE BEEN REGISTERED WITH THE INTERNATIONAL BUREAU CLAIMING PRIORITY ON THE TERRITORY OF GEORGIA

The decision can be appealed at the Chamber of Appeal of Sakpatenti within 3 months from the publication or at the Mtskheta District Court Administrative Cases Board (Address: №17, Samkhedro St., Mtskheta), within 1 month following the publication.

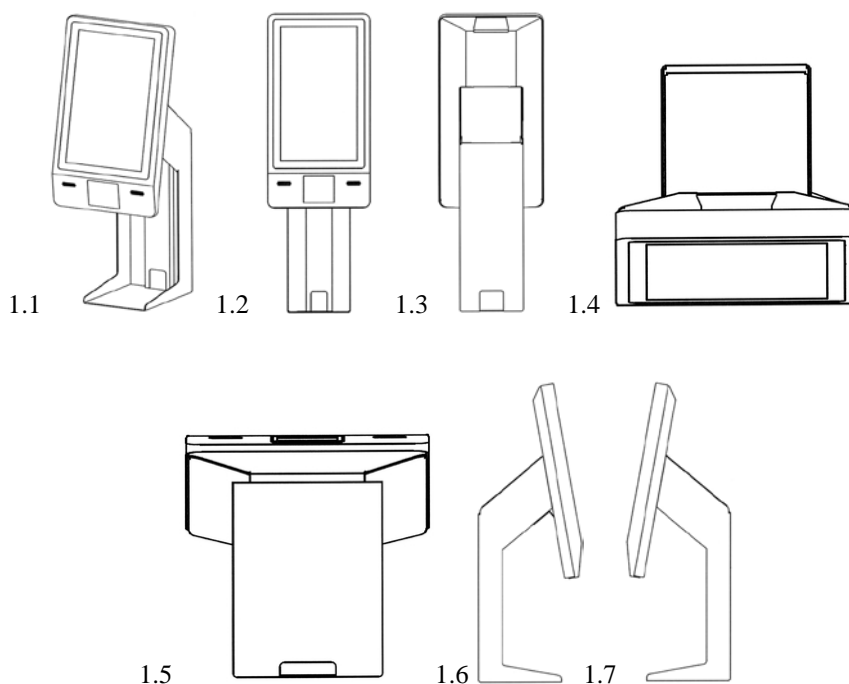
- (11) DM/215 012 (51) 10-07
- (15) 2021 06 14 (44) 50/2021 (2021 12 17)
- (22) 2021 06 14
- (28) 4
- (73) HARRY WINSTON SA
 Chemin Du Tourbillon 8, 1228 Plan-les-Ouates (CH)
- (85) CH
- (86) CH
- (87) CH
- (88) CH
- (89) CH
- (81) II. MA III. AL, AM, AZ, BA, BZ, CA, CH, EM, GB, GE, KG, LI, MC, MD, ME, MK, MN, NO, OM, SG, TN, TR, UA
- (72) 1-2: Emmanuelle Dominguez
 C/o Harry Winston SA Chemin Du Tourbillon 8, 1228, Plan-les-Ouates (CH);
 3-4: Mathilde Petit
 C/o Harry Winston SA Chemin Du Tourbillon 8, 1228, Plan-les-Ouates (CH)
- (74) The Swatch Group AG (The Swatch Group SA) (The Swatch Group Ltd.)
 Faubourg Du Lac 6, 2501 Biel/Bienne (CH)
- (54) 1. Watch case, 2.-4. Watch dial
- (55)



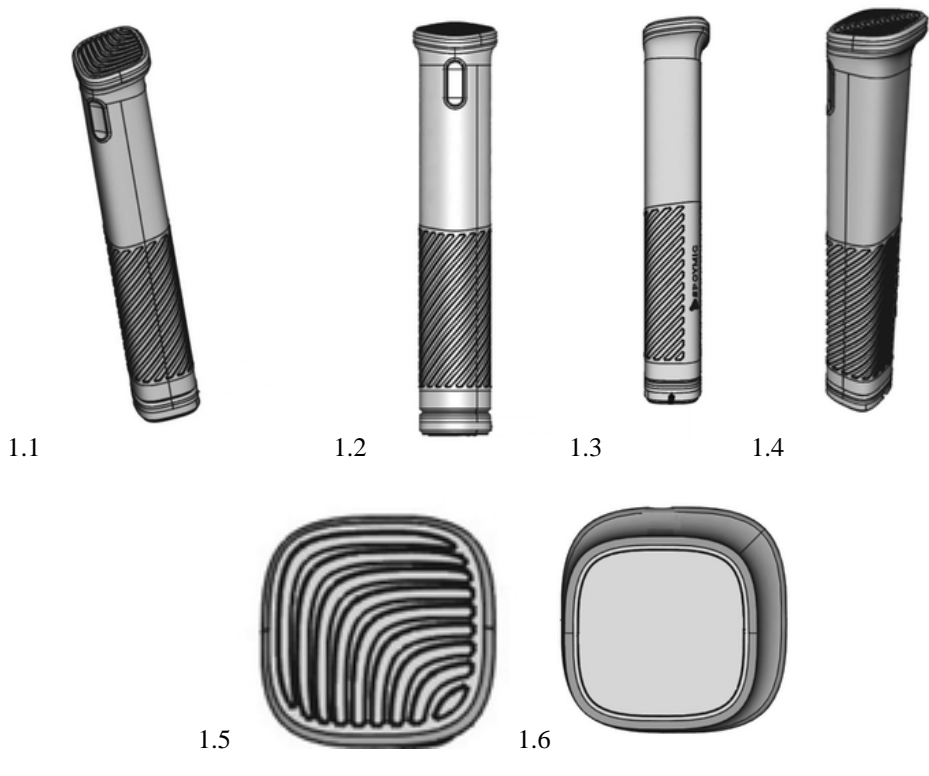




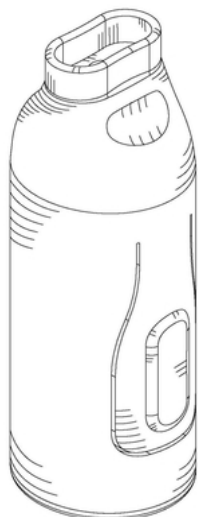
- (11) DM/217 827 (51) 20-01
 (15) 2021 08 17 (44) 50/2021 (2021 12 17)
 (22) 2021 08 17
 (28) 1
 (30) No1: 17.06.2021; 2021503050; RU
 (73) KAIZER LLC
 Varshavskaya Ul., D. 23, K. 4, Liter A, Etazh/pom/kom - 2/1N/№54, Municipal'Ny'j Okrug Novoizmajlovskoe Vn.Ter.G., RU-196128 Saint-Peterburg (RU)
 (85) –
 (86) –
 (87) –
 (88) RU
 (89) RU
 (81) III. AM, AZ, BY, EM, GE, KG, MD, TJ, TR, UA
 (72) Mixail Anatol'evich Kucherenkov
 Ul. Grina, D.1, Korp. 2, Kv. 186, , RU-117216, Moscow (RU);
 Ivan Olegovich Mel'nik
 Ul. Tallinskaya, D. 17, Korp. 2, Kv. 45, , RU-123458, Moscow (RU);
 Aleksej Yur'evich Vagurin
 Ul. 50-letiya Komsomola, D.35, Kv.5, Ivanovskaya Obl., G. , RU-155800, Kineshma (RU)
 (74) Online Patent, LLC
 Post Box 365, RU-121151 Moscow (RU)
 (54) 1. Self-service payment terminal
 (55)



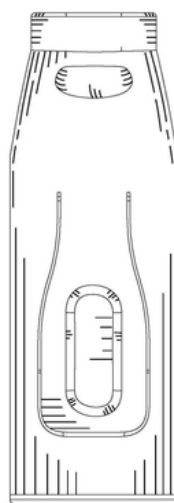
- (11) DM/217 929
- (15) 2021 09 27
- (22) 2021 09 27
- (28) 1
- (30) No1: 01.09.2021; 2021504395; RU
- (73) OBSHCHESTVO S OGRANICHENNOY OTVETSTVENNOSTYU "KHAITEKINZHINIRING"
PRECHISTENSKAYA NABEREZHNAJA, DOM 17, ETAZH 2, 119034 MOSCOW (RU)
- (85) –
- (86) –
- (87) RU
- (88) RU
- (89) RU
- (81) III. AM, AZ, BY, EM, GB, GE, JP, KG, KP, MD, TJ, TM, UA, US
- (72) Rodion Radmirovich Usaev
Parashutnaya Ulitsa, D. 31, Korp. 2, Kv. 241, 197371, Saint-Petersburg (RU)
- (74) MAXIM CHERNYAEV
A/ya 38, 117463 MOSCOW (RU)
- (54) 1. Microphone [except for telephones]
- (55)



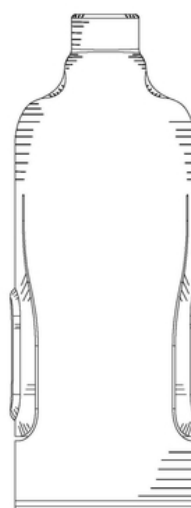
- (11) DM/217 937 (51) 24-04
 (15) 2021 03 08 (44) 51/2021 (2021 12 24)
 (22) 2021 03 08
 (28) 1
 (73) FEATHER COMPANY LTD.
 Is 40 Larch Street, Suite #201, P3E 5M7 Sudbury, Ontario (CA)
 (85) CA
 (86) CA
 (87) CA
 (88) CA
 (89) CA
 (81) III. AM, AZ, CH, EM, GB, GE, IL, IS, JP, KR, MX, NO, OA, RU, SG, UA, US
 (72) Dave RODNEY
 31 Power Street, PO Box 1362, P0M 1N0, Copper Cliff, Ontario (CA);
 Patrick LEHOUX
 284 David Street, P3E 1T8, Sudbury, Ontario (CA);
 Mitch THOMPSON
 496 Telstar Avenue, P3E 5K8, Sudbury, Ontario (CA)
 (74) MBM INTELLECTUAL PROPERTY LAW LLP
 275 Slater Street, 14th Floor, K1P 5H9 Ottawa, Ontario (CA)
 (54) 1. Inhaler
 (55)



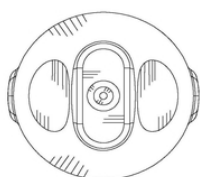
1.1



1.2



1.3

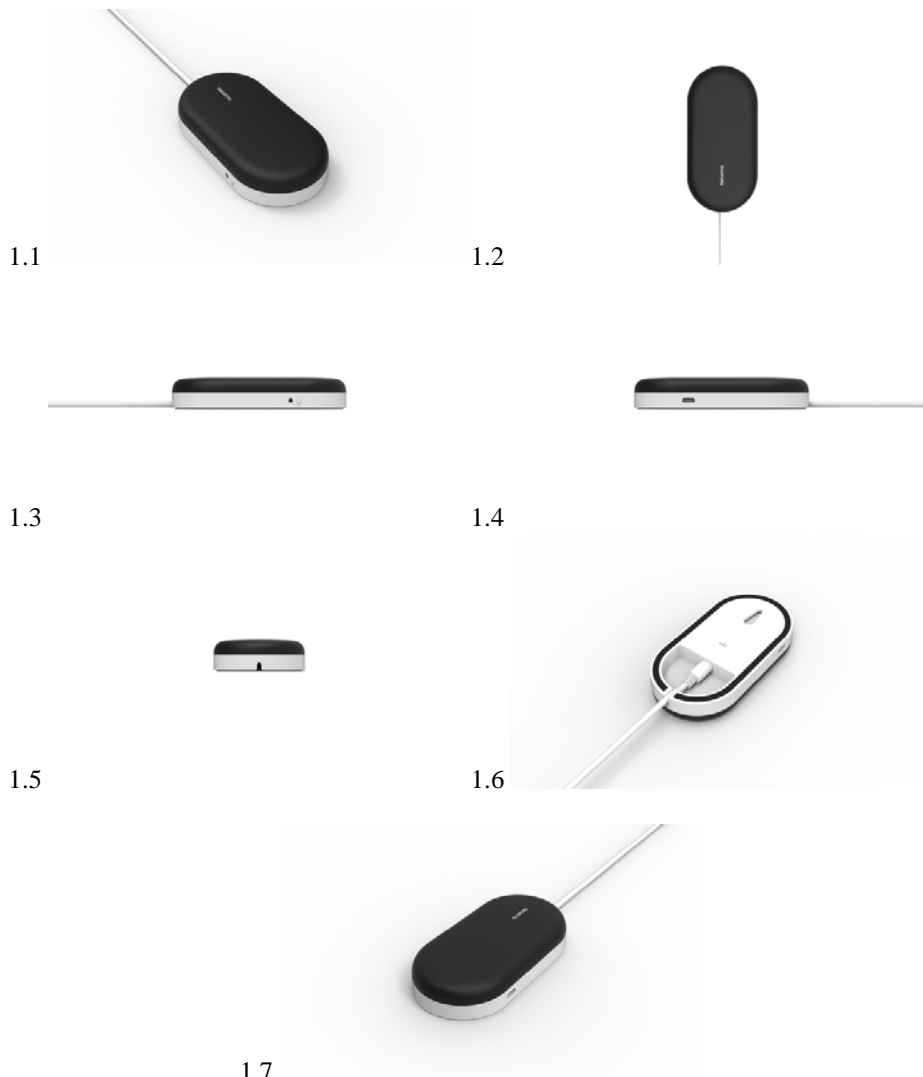


1.4



1.5

- (11) DM/218 025 (51) 14-03
 (15) 2021 09 03 (44) 52/2021 (2021 12 31)
 (22) 2021 09 03
 (28) 1
 (73) NETATMO
 73 Rue De Sèvres, 92100 Boulogne Billancourt (FR)
 (85) FR
 (86) FR
 (87) FR
 (88) FR
 (89) FR
 (81) II. BJ, CI, GA, GR, IT, MA, ML, NE, SN III. AL, AM, AZ, BA, BG, BN, BW, BX, BY, BZ, CA, CH, DE, DK, EE, EG, EM, ES, FI, FR, GB, GE, GH, HR, HU, IL, IS, JP, KG, KH, KP, KR, LI, LT, LV, MC, MD, ME, MK, MN, MX, NA, NO, OA, OM, PL, RO, RS, RU, RW, SG, SI, SM, SR, ST, SY, TJ, TM, TN, TR, UA, US, VN, WS
 (72) Romain Cazalis
 73 Rue De Sèvres, 92100, Boulogne Billancourt (FR)
 (74) Benoît Bourdon
 73 Rue De Sèvres, 92100 Boulogne Billancourt (FR)
 (54) 1. Intercommunication and infrared remote controller
 (55)



- (11) DM/215 238 (51) 11-01
 (15) 2021 07 09 (44) 02/2022 (2022 01 07)
 (22) 2021 07 09
 (28) 6
 (73) HARRY WINSTON SA
 Chemin Du Tourbillon 8, 1228 Plan-les-Ouates (CH)
 (85) CH
 (86) CH
 (87) CH
 (88) CH
 (89) CH
 (81) IL, MA, III, AL, AM, AZ, BA, BZ, CA, CH, EM, GB, GE, KG, LI, MC, MD, ME, MK, MN, NO, OM, SG,
 TN, TR, UA
 (72) 1 Dominique RIVIERE
 C/o Harry Winston Inc., 718 Fifth Avenue, 10019, New York (US);
 2-4; 6 Rie YATSUGI-KANG
 C/o Harry Winston Inc., 718 Fifth Avenue, 10019, New York (US);
 5 Delphine ABDOURAHIM
 C/o Harry Winston Inc., 718 Fifth Avenue, 10019, New York (US)
 (74) The Swatch Group AG (The Swatch Group SA) (The Swatch Group Ltd.)
 Faubourg Du Lac 6, 2501 Biel/Bienne (CH)
 (54) 1. Brooch, 2. Bracelet, 3. Finger ring, 4. Pair of earrings, 5. Brooch, 6. Pair of earrings
 (55)



1.1



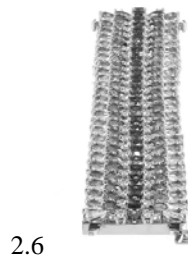
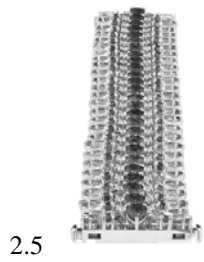
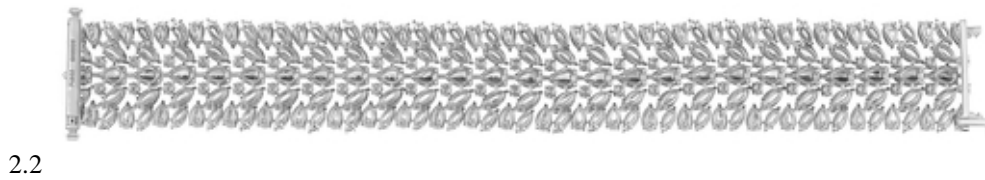
1.2

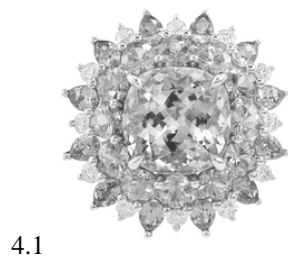


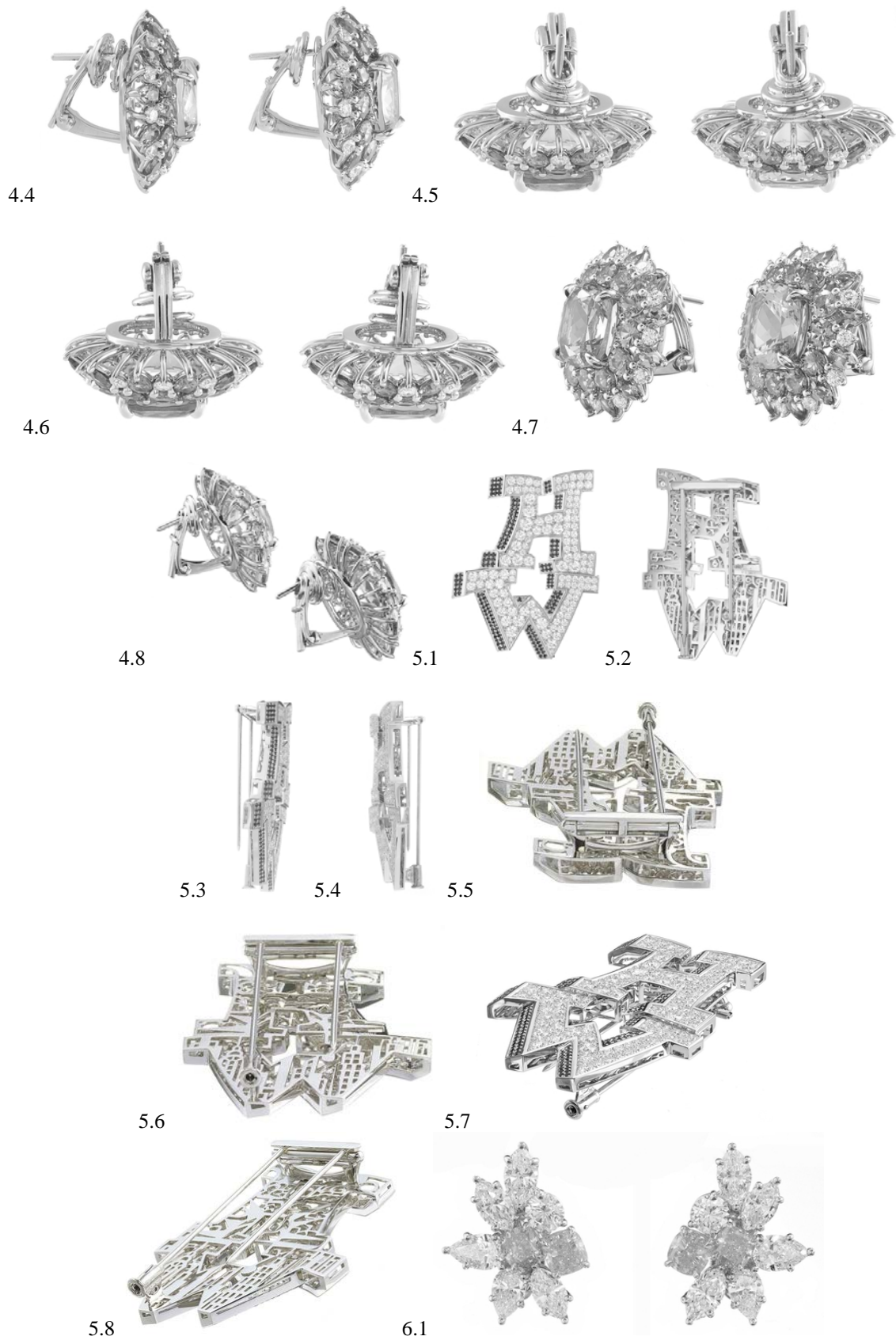
1.3



1.4









6.2



6.3



6.4



6.5



6.6



6.7



6.8



TRADEMARKS

APPLICATIONS FILED UNDER THE NATIONAL PROCEDURE APPROVED FOR REGISTRATION

The decision can be appealed at the Chamber of Appeal of Sakpatenti within 3 months from the publication or at the Mtskheta District Court Administrative Cases Board (Address: №17, Samkhedro St., Mtskheta), within 1 month following the publication.

(260) AM 2022 85823 A*
(210) AM 85823
(220) 2016 01 22
(731) LTD "Zhorzholiani Trading"
A. Beliashvili Str. 8, 0159, Tbilisi, Georgia
(540)



(591) Red, white, golden, blue
(531) 02.09.01; 26.04.22; 26.04.24; 28.19; 29.01.14
(511) 29, 30, 31, 32, 33, 35, 43

(260) AM 2022 110126 A
(210) AM 110126
(220) 2020 10 13
(731) Shalva Khetsuriani
Tamar Mepe Ave. 17, 0112, Tbilisi, Georgia
(740) Nestan Mikadze
(540)

Kolkhi Asuli კოლხი ასული

(591) Black-white
(511) 33

(260) AM 2022 110210 A
(210) AM 110210
(220) 2021 08 19
(731) LTD "Vili"
Zurab and Teimuraz Zaldastanishvili Str. 16,
Commercial Space 5, fl. 1, Saburtalo District,
Tbilisi, Georgia
(540)

(591) Green, white
(531) 26.04.02; 26.04.09; 26.04.22; 26.04.24;
27.05.01; 27.05.24; 28.19
(511) 35, 39, 42

(260) AM 2022 110377 A
(210) AM 110377
(220) 2021 09 01
(731) Tamar Kopianidze
Ketevan Dedopali Ave. 2, app. 83, 0103,
Tbilisi Georgia
(540)

Kaveuli

(591) Black-white
(511) 3, 14

(260) AM 2022 112675 A
(210) AM 112675
(220) 2021 04 16
(731) Philip Morris Products S.A.
Quai Jeanrenaud 3, 2000 Neuchâtel,
Switzerland
(740) Pavle Meipariani
(540)

HEETS AMBER SELECTION

(591) Black-white
(511) 34

(260) AM 2022 113219 A
(210) AM 113219
(220) 2021 05 31
(731) LTD "Mig Group"
Chiaureli Str. 16, 0179, Tbilisi, Georgia
(540)



CHEMI KARTLI
— GEORGIAN WINERY —

(591) Black, golden, white
(531) 07.01.01; 07.01.03; 27.05.01; 27.05.10;
27.05.11; 29.01.12
(526) Kartli
(511) 33

(260) AM 2022 113375 A
 (210) AM 113375
 (220) 2021 06 06
 (731) Giorgi Galdavadze
 Tsothe Dadiani Str. 21/23, 0101, Tbilisi,
 Georgia
 (540)



(591) Black-white
 (531) 05.05.01; 05.05.20; 05.11.15; 26.13.25
 (511) 34

(260) AM 2022 113780 A
 (210) AM 113780
 (220) 2021 07 07
 (731) LLC "Kakhetian Traditional Winemaking"
 Sulkhan Tsintsadze Str.12, 0160, Tbilisi,
 Georgia
 (540)

იმერეთი ვაინმეიქინგ

(591) Black-white
 (526) იმერეთი
 (511) 35

(260) AM 2022 113879 A
 (210) AM 113879
 (220) 2021 07 15
 (731) LTD "Trans Logistic"
 Ikalto Str. 55, Saburtalo District, Tbilisi,
 Georgia
 (540)



(591) Green, yellow, white, grey, black
 (531) 01.03.01; 01.03.15; 05.01.01; 05.01.08;
 05.01.10; 05.03.13; 05.03.15; 06.01.02;
 26.01.01; 26.01.04; 26.01.21; 29.01.14
 (526) ტყობული
 (511) 33

(260) AM 2022 113978 A
 (210) AM 113978
 (220) 2021 07 19
 (731) LTD "TCA"
 Arboshiki Str. 2, 0144, Isani District, Tbilisi,
 Georgia
 (540)



(591) 123A29 green, E6BF83 light brown, white
 (531) 01.01.02; 01.01.09; 27.05.01; 27.05.23;
 29.01.12
 (511) 12, 39

(260) AM 2022 113984 A
 (210) AM 113984
 (220) 2021 07 19
 (731) Biological Farming Association
 "Elkana"
 Gazapkhuli Str. 61, 0186, Vake-Saburtalo
 District, Tbilisi, Georgia
 (540)

ბიომეშენიერი ცხოვრებისათვის!

ორგანული პროდუქტი. სოფლის მრავალფეროვნება.

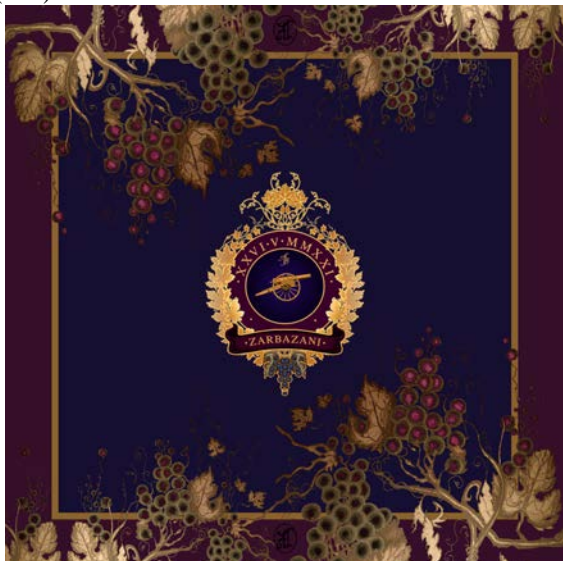
For BIOtiful Life!

Organic product. Rural diversity.

(591) 0F0707 black, 0A6D13 green
 (531) 27.05.01; 27.05.10; 29.01.12
 (511) 29, 30, 31, 32, 33, 35, 41, 42, 44

(260) AM 2022 113994 A
 (210) AM 113994
 (220) 2021 07 21
 (731) Aleksandre Bolkvadze
 Paliashvili St. 66, app. 51, 0179, Tbilisi,
 Georgia

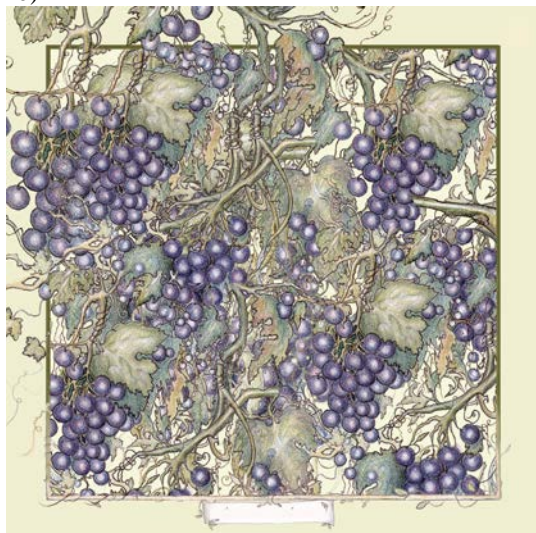
(540)



(591) Dark blue, lilac, golden, light lilac, khaki, beige, green, bordeaux
 (531) 05.03.19; 05.07.10; 05.13.06; 23.03.02; 25.01.05; 25.01.09; 25.01.10; 25.01.25; 26.01.21; 27.05.01; 29.01.15
 (511) 25

(260) AM 2022 113995 A
 (210) AM 113995
 (220) 2021 07 21
 (731) Aleksandre Bolkvadze
 Paliashvili St. 66, app. 51, 0179, Tbilisi, Georgia

(540)



(591) Khaki, yellow, green, beige, lilac
 (531) 05.03.04; 05.03.19; 05.07.10; 29.01.14
 (511) 25

(260) AM 2022 113996 A
 (210) AM 113996
 (220) 2021 07 21
 (731) Aleksandre Bolkvadze
 Paliashvili St. 66, app. 51, 0179, Tbilisi, Georgia
 (540)



ZARBAZANI

(591) Black-white
 (531) 23.03.02; 27.05.01
 (511) 3, 25, 32, 33, 35, 43

(260) AM 2022 113997 A
 (210) AM 113997
 (220) 2021 07 21
 (731) Aleksandre Bolkvadze
 Paliashvili St. 66, app. 51, 0179, Tbilisi, Georgia

(540)



(591) Brown, yellow, dark blue, khaki, sky-blue, green
 (531) 02.07.02; 05.03.04; 05.03.19; 05.07.10; 25.01.05; 25.01.09; 25.01.10; 29.01.15
 (511) 25

(260) AM 2022 113998 A
 (210) AM 113998
 (220) 2021 07 21
 (731) Aleksandre Bolkvadze
 Paliashvili St. 66, app. 51, 0179, Tbilisi, Georgia

(540)



(591) Golden, beige, brown, green, orange
 (531) 05.03.04; 05.03.19; 05.07.10; 26.01.18;
 27.05.01; 27.05.02; 27.05.03; 27.05.21;
 29.01.15
 (511) 3

(260) AM 2022 114029 A
 (210) AM 114029
 (220) 2021 07 23
 (731) Hankook Tire & Technology Co., Ltd.
 286, Pangyo-ro, Bundang-gu, Seongnam-si,
 Gyeonggi-do, Republic of Korea
 (740) Tamaz Shilakadze
 (540)

winter i*Pike iON

(591) Black-white
 (531) 24.17.03; 27.05.01; 27.05.09; 27.05.10
 (511) 12

(260) AM 2022 114033 A
 (210) AM 114033
 (220) 2021 07 23
 (731) Shenzhen Netis Technology Co., Ltd.
 801, Building B, TongFang Information
 Harbor, No.11 Langshan Road, Nanshan
 District, Shenzhen, People's Republic of
 China
 (740) Giorgi Kartvelishvili
 (540)

netis

(591) Black-white
 (511) 9

(260) AM 2022 114040 A
 (210) AM 114040
 (220) 2021 07 26
 (731) LTD "Nimqear"
 Al. Kazbegi Ave. 24a, app. 18, Saburtalo
 District, 6010, Tbilisi, Georgia
 (540)

NIM!Care
 NEUROIMMUNOLOGY

(591) B0D17F grey, 2D4F29 green
 (531) 01.15.15; 27.05.01; 27.05.08; 27.05.10;
 29.01.03
 (511) 44

(260) AM 2022 114041 A
 (210) AM 114041
 (220) 2021 07 26
 (731) Philip Morris Products S.A.
 Quai Jeanrenaud 3, 2000 Neuchâtel,
 Switzerland
 (740) Pavle Meipariani
 (540)

TEREA AMBER

(591) Black-white
 (511) 34

(260) AM 2022 114043 A
 (210) AM 114043
 (220) 2021 07 27
 (731) LTD "Georgian Alco Group"
 O. Chechelashvili Str., III lane 4, 4600,
 Kutaisi Georgia;
 Shota Metreveli
 Ir. Abashidze Str. 38, b. 33, Tbilisi,
 Georgia
 (740) Shota Metreveli
 (540)

საპერული
SAPERULI
САПЕРУЛИ

(591) Black-white
 (511) 33

(260) AM 2022 114045 A
 (210) AM 114045
 (220) 2021 07 27
 (731) Marks and Spencer PLC
 Waterside House, 35 North Wharf Road,
 London W2 1NW, United Kingdom
 (740) Tamaz Shilakadze
 (540)

მარკს & სპენსერ

(591) Black-white
 (511) 3, 14, 16, 18, 20, 21, 25, 29, 30, 31, 32,
 33, 35

(260) AM 2022 114046 A
 (210) AM 114046
 (220) 2021 07 27
 (731) Marks and Spencer PLC
 Waterside House, 35 North Wharf Road,
 London W2 1NW, United Kingdom
 (740) Tamaz Shilakadze
 (540)

**მარკს &
 სპენსერ**

(591) Black-white
 (531) 28.19
 (511) 3, 14, 16, 18, 20, 21, 25, 29, 30, 31, 32,
 33, 35

(260) AM 2022 114047 A
 (210) AM 114047
 (220) 2021 07 27
 (731) Marks and Spencer PLC
 Waterside House, 35 North Wharf Road,
 London W2 1NW, United Kingdom
 (740) Tamaz Shilakadze
 (540)

**მარკს &
 სპენსერ**

(591) Light green, black
 (531) 28.19; 29.01.12
 (511) 3, 14, 16, 18, 20, 21, 25, 29, 30, 31, 32,
 33, 35

(260) AM 2022 114051 A
 (210) AM 114051
 (220) 2021 07 28
 (731) LEGO Juris A/S
 DK-7190 Billund, Denmark

(740) Giorgi Ghvinjilia
 (540)

friends

(591) FFFFFFF white, EBC6DF pink,
 753BBD lilac
 (531) 27.05.01; 27.05.02; 27.05.03; 27.05.24;
 29.01.13
 (511) 28

(260) AM 2022 114053 A
 (210) AM 114053
 (220) 2021 07 28
 (731) LEGO Juris A/S
 DK-7190 Billund, Denmark
 (740) Giorgi Ghvinjilia
 (540)

TECHNIC

(591) Black-white
 (531) 27.05.02
 (511) 28

(260) AM 2022 114054 A
 (210) AM 114054
 (220) 2021 07 28
 (731) LEGO Juris A/S
 DK-7190 Billund, Denmark
 (740) Giorgi Ghvinjilia
 (540)

CITY

(591) B2BEC8 silver, 3C5359 grey,
 000000 black, FFFFFFF white
 (531) 27.05.01; 27.05.17; 27.05.22; 29.01.13
 (511) 28

(260) AM 2022 114132 A
 (210) AM 114132
 (220) 2021 08 02
 (731) LLC "PV-Iberia"
 K. Gamsakhurdia Ave. 34 / Al. Kazbegi
 Ave. 2, bld. 3, floor 2, room 12, 0186,
 Saburtalo District, Tbilisi, Georgia
 (540)

VITLY

(591) Black-white
 (511) 3, 5, 29, 30, 31, 32, 33, 35

(260) AM 2022 114137 A
 (210) AM 114137
 (220) 2021 08 02
 (731) LTD "Talisman"
 Niko Tskhvedadze Str. 28, 0162, Tbilisi,
 Georgia
 (540)

Villa Aragvi

(591) Black-white
 (511) 33

(260) AM 2022 114138 A
 (210) AM 114138
 (220) 2021 08 02
 (731) LTD "Talisman"
 Niko Tskhvedadze Str. 28, 0162, Tbilisi,
 Georgia
 (540)

GLORIA ГЛЮРИЯ

(591) Black-white
 (511) 33

(260) AM 2022 114139 A
 (210) AM 114139
 (220) 2021 08 02
 (731) LTD "Soulageur"
 Kukuri Gogiashvili Str. 1, 0131, Tbilisi,
 Georgia
 (540)



(591) Dark blue, lilac, purple, white
 (531) 05.05.20; 26.01.01; 26.01.05; 26.01.06;
 26.01.18; 27.05.01; 28.19; 29.01.13
 (511) 5

(260) AM 2022 114142 A
 (210) AM 114142
 (220) 2021 08 03
 (731) KT & G Corporation
 71, Beotkkot-gil, Daedeok-gu, Daejeon,
 Republic of Korea
 (740) Giorgi Taktakishvili
 (540)

HOLISTIC HEATING PIN

(591) Black-white
 (511) 34

(260) AM 2022 114219 A
 (210) AM 114219
 (220) 2021 08 06
 (731) The Gillette Company LLC
 One Gillette Park, Boston, Massachusetts
 02127, USA
 (740) Merab Kvimsadze
 (540)

SEA MIST

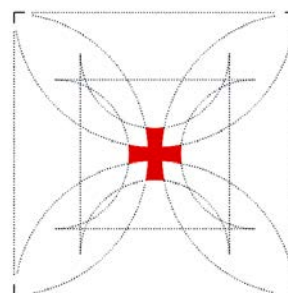
(591) Black-white
 (531) 27.05.01
 (511) 3

(260) AM 2022 114220 A
 (210) AM 114220
 (220) 2021 08 09
 (731) Irine Kublashvili
 Varketili, III array, VII quarter, bld. 13,
 app. 19, Tbilisi, Georgia
 (540)



(591) White, orange
 (531) 09.07.01; 09.07.19; 11.01.17; 26.04.02;
 26.04.04; 26.04.24; 27.05.01; 27.05.24; 28.19;
 29.01.12
 (511) 43

(260) AM 2022 114227 A
 (210) AM 114227
 (220) 2021 08 10
 (731) LTD "IDS Borjomi Beverages Company"
 Pareraweg 45, Curaçao
 (740) Giorgi Jokharidze
 (540)



(591) Black, white, red
 (531) 24.13.01; 25.01.25; 25.07.01; 26.01.02;
 26.01.16; 26.07.01; 26.07.25
 (511) 32, 35

(260) AM 2022 114228 A
 (210) AM 114228
 (220) 2021 08 10
 (731) LTD "IDS Borjomi Beverages Company"
 Pareraweg 45, Curaçao
 (740) Giorgi Jokharidze
 (540)



(591) Green, sky-blue
 (531) 26.04.02; 26.04.05; 26.04.22; 26.04.24;
 27.05.01; 29.01.12
 (511) 5, 32, 35

(260) AM 2022 114230 A
 (210) AM 114230
 (220) 2021 08 11
 (731) Shalva Khetsuriani
 Tamar Mepe Ave. 17, Tbilisi, Georgia
 (740) Nestan Mikadze
 (540)

ქელიერი
KELIERI

(591) Black-white
 (511) 33

(260) AM 2022 114325 A
 (210) AM 114325
 (220) 2021 08 17
 (731) Vivo Mobile Communication Co., LTD
 Dongguan, Changani, Vivo Road N1,
 Guangdong, 0100, People's Republic of
 China
 (740) Irakli Gvilia
 (540)

Jovi

(591) Black-white
 (511) 9

(260) AM 2022 114326 A
 (210) AM 114326
 (220) 2021 08 17
 (731) Vivo Mobile Communication Co., LTD
 Dongguan, Changani, Vivo Road N1,

Guangdong, 0100, People's Republic of
 China

(740) Irakli Gvilia
 (540)

APEX

(591) Black-white
 (511) 9

(260) AM 2022 114327 A
 (210) AM 114327
 (220) 2021 08 17
 (731) LTD "Pi"
 St. Nikoloz Str. 12/16, 0102, Tbilisi
 Georgia
 (740) Teona Omarashvili
 (540)



(591) Golden, bronze, copper, black, dark
 carnelian, beige, ivory, light ivory
 (531) 26.01.18; 27.05.01; 27.05.21; 29.01.13
 (511) 33, 35

(260) AM 2022 114331 A
 (210) AM 114331
 (220) 2021 08 18
 (731) LTD "Kakhetian Traditional Winemaking"
 Tsintsadze Str. 12, 0160, Tbilisi,
 Georgia
 (540)

ქეთავანი
Ketavani
Кетавани

(591) Black-white
 (511) 33

(260) AM 2022 114332 A
 (210) AM 114332
 (220) 2021 08 18
 (731) JSC "Georgian Film"
 Akhmeteli Str. 10a, 0159, Tbilisi,
 Georgia
 (740) Zurab Bezhashvili

(540)



ქართული ფილმი

GEORGIAN FILM

(591) Black-white

(531) 16.03.05; 25.01.25; 26.01.06; 26.13.25; 28.19

(526) ქართული ფილმი / GEORGIAN FILM

(511) 41

(260) AM 2022 114399 A

(210) AM 114399

(220) 2021 08 23

(731) LTD "Bebu Georgia"

Dighomi Array, IV qu., bld. 10, app. 29,

Didube District, Tbilisi, Georgia

(540)

DEDIKO

დედიკო

ДЭДИКО

(591) Black-white

(511) 29, 30

(260) AM 2022 114336 A

(210) AM 114336

(220) 2021 08 18

(731) LTD "Gorgeous Georgian Paradise"

Budapest Str. 11, ent. 2, 0160, Tbilisi,

Georgia

(740) Mariam Gogitidze

(540)



(591) White, black, red, green, orange

(531) 26.01.02; 26.01.10; 26.01.12; 26.03.04;

26.11.03; 26.11.05; 26.11.12; 28.19; 29.01.15

(511) 30, 35

(260) AM 2022 114413 A

(210) AM 114413

(220) 2021 08 25

(731) Private Joint-Stock Company "MHP"

vul. Elevatorna 1, Myronivka, Kyivska obl.,

08800, Ukraine

(740) Nugzar Ksovreli

(540)



(591) White, yellow, blue, green

(531) 01.15.17; 05.05.20; 26.01.01; 26.01.04;

26.01.13; 26.01.15; 26.01.16; 26.01.21;

29.01.14

(511) 29, 35

(260) AM 2022 114343 A

(210) AM 114343

(220) 2021 08 19

(731) Visa International Service Association

900 Metro Center Boulevard, Foster City,

California, 94404, USA

(740) Giorgi Meipariani

(540)



(591) Blue, white, yellow

(531) 24.07.01; 26.11.02; 26.11.06; 26.11.08;

29.01.12

(511) 36

(260) AM 2022 114423 A

(210) AM 114423

(220) 2021 08 27

(731) Intersun Holding FZCO

P.O. BOX: 61051, Jebel Ali Free Zone,

Dubai, United Arab Emirates

(740) Davit Bibiluri

(540)

КАЛИНКА

(591) Black-white

(511) 29, 35

REGISTERED TRADEMARKS

(111) M 2022 35110 R
(151) 2022 02 22
(181) 2032 02 22
(260) AM 2018 98569 A
(220) 2018 07 19
(732) Federal Treasury Enterprise
"Sojuzplodoimport" (FKP "Sojuzplodoimport")
Orlikov lane, bldg.1/11, Moscow, 107139,
Russian Federation

(111) M 2022 35112 R
(151) 2022 02 23
(181) 2032 02 23
(260) AM 2018 98568 A
(220) 2018 07 19
(732) Federal Treasury Enterprise
"Sojuzplodoimport" (FKP "Sojuzplodoimport")
Orlikov lane, bldg.1/11, Moscow, 107139,
Russian Federation

TRADEMARKS REGISTERED ACCORDING TO THE ACCELERATED PROCEDURE

The decision can be appealed at the Chamber of Appeal of Sakpatenti within 3 months from the publication.

(111) M 2022 35108 R

(151) 2022 02 21

(181) 2032 02 21

(210) AM 116643

(220) 2022 02 15

(732) LTD "Iveria"

Tevdore Mghvdeli Str. 53, 0154, Tbilisi,
Georgia

(740) Zurab Bezhashvili

(540)

მარონი

Maroni

Марони

(591) Black-white

(511) 33

(111) M 2022 35109 R

(151) 2022 02 22

(181) 2032 02 22

(210) AM 116641

(220) 2022 02 14

(732) LTD "3D"

Nutsubidze Str. 10, app. 9, 0177, Tbilisi,
Georgia

(540)

დ-პანზა

Д-Панза

D-Panza

(591) Black-white

(511) 5

(111) M 2022 35111 R

(151) 2022 02 23

(181) 2032 02 23

(210) AM 116734

(220) 2022 02 18

(732) LTD "Eshvi"

Gergeti Str. 3, 0105, Mtatsminda District,
Tbilisi, Georgia

(540)

E S  V I

(591) Black-white

(531) 03.06.01; 03.06.25; 27.03.03

(511) 14, 18, 20, 25

(111) M 2022 35113 R

(151) 2022 02 24

(181) 2032 02 24

(210) AM 116664

(220) 2022 02 17

(732) Georgian Football Federation

Ilia Chavchavadze Ave. 76a, 0176, Tbilisi,
Georgia

(540)



(591) 111010 black, FFFFFFF white

(531) 02.01.02; 02.01.20; 02.01.21; 02.01.22;
04.03.03; 22.05.03

(511) 16, 25, 28, 35, 39, 41

(111) M 2022 35114 R

(151) 2022 02 24

(181) 2032 02 24

(210) AM 116668

(220) 2022 02 17

(732) Georgian Football Federation

Ilia Chavchavadze Ave. 76a, 0176, Tbilisi,
Georgia

(540)

ძალა ჩემშია

(591) Black-white

(511) 25, 28

(111) M 2022 35115 R
 (151) 2022 02 28
 (181) 2032 02 28
 (210) AM 116736
 (220) 2022 02 20
 (732) LTD "Sakemata"
 Mukhiani Residential District, Not-Living
 Space, Floor 4, Gldani District, 0167,
 Tbilisi, Georgia
 (540)

Sakemata

(591) Black-white
 (511) 41

(111) M 2022 35116 R
 (151) 2022 03 01
 (181) 2032 03 01
 (210) AM 116658
 (220) 2022 02 16
 (732) Miradin Kurbanov
 Vill. Karajala, Telavi Region, Georgia
 (740) Giorgi Taktakishvili
 (540)

SKYTECH

(591) Sky-blue
 (511) 7, 9, 11

(111) M 2022 35117 R
 (151) 2022 03 04
 (181) 2032 03 04
 (210) AM 116524
 (220) 2022 02 07
 (732) Enriko Beridze
 G. Tsitsishvili Str. 18, Tbilisi, Georgia
 (740) Salome Jeladze
 (540)



KALATA

(591) FFFFFFF white, 000000 black
 (531) 10.03.11; 27.05.01
 (511) 35, 44

(111) M 2022 35118 R
 (151) 2022 03 04
 (181) 2032 03 04
 (210) AM 116763
 (220) 2022 02 24
 (732) LTD "Edelweiss 2007"
 Rustaveli Str. 11, 5400, Tskaltubo, Georgia
 (540)



(591) Black, white, golden
 (531) 01.01.01; 01.01.05; 25.01.05; 25.01.09;
 25.01.10; 26.01.02; 26.01.20; 26.01.24;
 27.05.01; 27.05.24; 29.01.13
 (511) 43

INTERNATIONAL TRADEMARKS FOR WHICH A DECISION ON GRANTING PROTECTIONS IS TAKEN

The decision can be appealed at the Chamber of Appeal of Sakpatenti within 3 months from the publication or at the Mtskheta District Court Administrative Cases Board (Address: №17, Samkhedro St., Mtskheta), within 1 month following the publication.

(260) AM 2022 110618 A
 (800) 1561378
 (151) 2020 07 15
 (891) 2020 07 15
 (731) Egis Gyógyszergyár Zrt.
 Keresztúri út 30-38., H-1106 Budapest,
 Hungary
 (540)

АССУБЕКС

(591) Black, white
 (531) 28.05
 (511)
 5 – Pharmaceutical preparations for human use.

(260) AM 2022 111805 A
 (800) 1576542
 (151) 2020 12 02
 (891) 2020 12 02
 (731) Pryvatne pidpriemstvo "BEL"
 prosp. Myru, 46, m. Mariupol, Donetska obl.
 87515, Ukraine
 (540)



(591) Black, white
 (531) 05.03.04; 05.03.19; 05.07.10; 05.13.06;
 26.01.15; 26.01.22; 27.05.01
 (511)
 33 – Alcoholic beverages, except beer; alcoholic beverages containing fruit; low-alcohol beverages, except beer; aperitifs; brandy; wine.

(260) AM 2022 112831 A
 (800) 1547889
 (151) 2020 07 14
 (891) 2021 04 14
 (731) Admirals Group AS
 Maakri tn 19/1-11, EE-10145 Tallinn, Estonia
 (540)

Admirals

(591) Black, white
 (511)
 35 – Advertising, marketing and promotional services; sales promotion; promotion services; marketing services; marketing by telephone; on-line advertising on a computer network; auctioneering services; rental of advertising space; none of the aforesaid services being related to insurance; none of the aforesaid services being hedge fund administration services.

36 – Finance services; financial consultancy; hire-purchase financing; provision of funds for hire purchase and for leasing; bank card, credit card, debit card and electronic payment card services; financial payment services; processing of payment transactions via the internet; mortgage loans and financing services; financing and funding services; financial consulting; agency services for securities; issue of tokens of value; currency trading and exchange services; investment management; brokerage; none of the aforesaid services being related to insurance; none of the aforesaid services being hedge fund administration services.

(260) AM 2022 112869 A
 (800) 1589554
 (151) 2020 09 29
 (891) 2020 09 29
 (731) KOLIOS ANONYMI ETAIRIA-ELLINIKI
 VIOMICHANIA GALAKTOS
 Dekato Tetarto (14o), Chiliometro Ethnikis
 Odou, Thessalonikis – Lagkada, GR-572 00
 Thessaloniki, Greece
 (540)

Hello-V

(591) Black, white
 (511)
 5 – Dietetic foods for use in clinical nutrition.

29 – Dairy products and dairy substitutes.

(260) AM 2022 112871 A

(800) 1589693

(151) 2021 02 24

(891) 2021 02 24

(731) Aktsionernoe obshchestvo "Kaspi Bank"
ul. Nauryzbay batyra, d. 154A, 050013 Gorod
Almaty, Kazakhstan

(540)



(591) White and red

(531) 26.04.04; 26.04.18; 27.05.24; 29.01.12

(511)

35 – Arranging subscriptions to telecommunication services for others; import-export agency services; commercial information agency services; advertising agency services; cost price analysis; rental of advertising space; business auditing; financial auditing; business intermediary services relating to the matching of potential private investors with entrepreneurs needing funding; employment agency services; computerized file management; book-keeping; invoicing; demonstration of goods; transcription of communications [office functions]; opinion polling; market studies; business information; information and advice for consumers in the field of choosing products and services; business investigations; business research; marketing research; personnel recruitment; business management and organization consultancy; business organization consultancy; business management consultancy; personnel management consultancy; professional business consultancy; consultancy regarding public relations communication strategies; consultancy regarding advertising communication strategies; layout services for advertising purposes; marketing; marketing in the framework of software publishing; targeted marketing; business management of performing artists; business management of sports people; writing of resumes for others; scriptwriting for advertising purposes; news clipping services; updating and maintenance of information in registries; updating and maintenance of data in computer databases; updating of advertising material; word processing; online retail services for downloadable and pre-recorded music and movies; online retail services for downloadable ring tones; online retail services for downloadable digital music; organization of exhibitions for commercial or advertising purposes; arranging newspaper sub-

scriptions for others; organization of fashion shows for promotional purposes; organization of trade fairs for commercial or advertising purposes; shop window dressing; development of advertising concepts; business appraisals; payroll preparation; data search in computer files for others; sponsorship search; administrative assistance in responding to calls for tenders; business management assistance; commercial or industrial management assistance; commercial intermediation services; providing business information via a web site; providing commercial and business contact information; provision of an online marketplace for buyers and sellers of goods and services; web indexing for commercial or advertising purposes; presentation of goods on communication media, for retail purpose; economic forecasting; auctioneering; retail services for works of art provided by art galleries; sales promotion for others; promotion of goods and services through sponsorship of sports events; production of teleshopping programmes; production of advertising films; office machines and equipment rental; rental of advertising time on communication media; publicity material rental; rental of billboards [advertising boards]; rental of vending machines; rental of sales stands; rental of photocopying machines; publication of publicity texts; radio advertising; bill-posting; distribution of samples; dissemination of advertising matter; direct mail advertising; registration of written communications and data; writing of publicity texts; advertising; online advertising on a computer network; advertising by mail order; television advertising; document reproduction; compilation of statistics; compilation of information into computer databases; business inquiries; systemization of information into computer databases; advisory services for business management; negotiation of business contracts for others; negotiation and conclusion of commercial transactions for third parties; compiling indexes of information for commercial or advertising purposes; tax preparation; drawing up of statements of accounts; telemarketing services; psychological testing for the selection of personnel; wholesale of pharmaceutical, veterinary, hygiene products and medical supplies; retail sale of pharmaceutical, veterinary, hygiene products and medical supplies; interim business management; external administrative management for companies; business management of hotels; business management for freelance service providers; business project management services for construction projects; commercial administration of the licensing of the goods and services of others; business management of reimbursement programs for others; administration of consumer loyalty programs; administration of frequent flyer programs; administrative processing of purchase orders; public relations; competitive intelligence services; modelling for advertising or sales promotion; typing; market intelligence services; appointment reminder services [office functions]; web site traffic optimization; administrative services for the relocati-

on of businesses; tax filing services; search engine optimization for sales promotion; appointment scheduling services [office functions]; gift registry services; price comparison services; pay per click advertising; secretarial services; procurement services for others [purchasing goods and services for other businesses]; shorthand; outsourcing services [business assistance]; telephone answering for unavailable subscribers; photocopying services; business efficiency expert services; media relations services; corporate communications services; rental of office equipment in co-working facilities; commercial lobbying services.

36 – Credit bureau services; debt collection agency services; real estate agency services; financial analysis; rental of apartments; rental of offices for co-working; rental of real estate; rental of offices [real estate]; rental of farms; lease-purchase financing; savings bank services; accommodation bureau services [apartments]; rent collection; issuance of travelers' checks; issuance of credit cards; issuance of tokens of value; capital investment; insurance information; financial information; clearing, financial; insurance consultancy; financial consultancy; debt advisory services; stock exchange quotations; lending against security; business liquidation services, financial; brokerage; financial management; exchanging money; online banking; processing of debit card payments; processing of credit card payments; factoring; organization of monetary collections; arranging finance for construction projects; antique appraisal; jewelry appraisal; financial evaluation of standing timber; stamp appraisal; real estate appraisal; numismatic appraisal; art appraisal; financial evaluation of wool; financial evaluation [insurance, banking, real estate]; financial appraisals in responding to calls for tenders; repair costs evaluation [financial appraisal]; electronic funds transfer; surety services; securities brokerage; real estate brokerage; brokerage of carbon credits; insurance brokerage; providing rebates at participating establishments of others through use of a membership card; loans [financing]; pawnbrokerage; providing financial information via a web site; check verification; investment of funds; charitable fund raising; stocks and bonds brokerage; financial sponsorship; mortgage banking; instalment loans; insurance underwriting; life insurance underwriting; health insurance underwriting; accident insurance underwriting; marine insurance underwriting; fire insurance underwriting; apartment house management; real estate management; financial management of reimbursement payments for others; actuarial services; banking; stock brokerage services; retirement payment services; bail-bonding; trusteeship; provident fund services; financial customs brokerage services; mutual funds; financing services; safe deposit services; deposits of valuables; fiscal valuation; financial evaluation of development costs relating to the oil, gas and mining industries; financial research.

42 – Water analysis; computer system analysis; handwriting analysis [graphology]; chemical analysis; energy auditing; recovery of computer data; industrial design; graphic arts design; computer virus protection services; engineering; installation of computer software; meteorological information; clinical trials; material testing; textile testing; bacteriological research; biological research; geological research; research in the field of environmental protection; cosmetic research; mechanical research; chemical research; research and development of new products for others; scientific research; analysis for oil-field exploitation; underwater exploration; technological research; calibration [measuring]; website design consultancy; computer security consultancy; information technology [IT] consultancy; consultancy in the design and development of computer hardware; architectural consultancy; computer software consultancy; data security consultancy; technological consultancy; oil-well testing; quality control; vehicle roadworthiness testing; land surveying; dress designing; updating of computer software; monitoring of computer systems to detect breakdowns; monitoring of computer systems for detecting unauthorized access or data breach; monitoring of computer systems by remote access; software as a service [SaaS]; maintenance of computer software; authenticating works of art; design of interior decor; quality evaluation of standing timber; quality evaluation of wool; digitization of documents [scanning]; conversion of data or documents from physical to electronic media; urban planning; providing search engines for the Internet; conversion of computer programs and data, other than physical conversion; conducting technical project studies; computer system design; rental of web servers; computer rental; rental of computer software; unlocking of mobile phones; geological prospecting; oil prospecting; hosting computer sites [web sites]; construction drafting; computer software design; software development in the framework of software publishing; cloud seeding; consultancy in the field of energy-saving; creating and designing website-based indexes of information for others [information technology services]; creating and maintaining websites for others; computer programming; technical writing; copying of computer programs; cloud computing; architectural services; chemistry services; packaging design; off-site data backup; telecommunications technology consultancy; scientific laboratory services; weather forecasting; styling [industrial design]; cartography services; data encryption services; research in the field of physics; electronic data storage; surveying; electronic monitoring of credit card activity to detect fraud via the Internet; electronic monitoring of personally identifying information to detect identity theft via the Internet; development of computer platforms; business card design; scientific and technological research in the field of natural disasters; exploration services in the field of the oil, gas and mining industries; scientific and technological research rela-

ting to patent mapping; research in the field of building construction; research in the field of telecommunications technology; research in the field of welding; medical research; graphic design of promotional materials; interior design; oil-field surveys; geological surveys; providing information relating to computer technology and programming via a website; providing scientific information, advice and consultancy relating to carbon offsetting; platform as a service [PaaS]; server hosting; consultancy and research services in the field of information technology.

(260) AM 2022 112968 A

(800) 1590777

(151) 2020 11 19

(891) 2020 11 19

(731) Zakrytoe aktsionernoe obshchestvo "Myasnaya galereya"
ul. Poliny Osipenko, d. 65, of. 10, RU-600009
g. Vladimir, Russian Federation

(540)

ЧИЗИПИЦЦА

(591) Black, white

(531) 28.05

(511)

29 – Meat, fish, poultry and game; meat extracts; preserved, frozen, dried and cooked fruits and vegetables; jellies, jams, compotes; eggs; milk and milk products; edible oils and fats; albumen for culinary purposes; seaweed extracts for food; gelatine; anchovy, not live; peanut butter; butter; cocoa butter for food; coconut butter; buttercream; white of eggs; blood sausage; broth; preparations for making bouillon; caviar; charcuterie; potato chips; sauerkraut; coconut, desiccated; rape oil for food; broth concentrates; soups; raisins; gherkins; cream [dairy products]; cheese; frosted fruits; croquettes; crustaceans, not live; dates; crayfish, not live; fish fillets; rennet; fruit jellies; fruit pulp; fish, not live; jellies for food; meat jellies; ginger jam; soya beans, preserved, for food; fatty substances for the manufacture of edible fats; fat-containing mixtures for bread slices; herrings, not live; lobsters, not live; corn oil for food; palm kernel oil for food; sesame oil for food; oysters, not live; isinglass for food; ham; yolk of eggs; yogurt; vegetable soup preparations; vegetable juices for cooking; kefir; kумыs; milk beverages, milk predominating; whey; spiny lobsters, not live; bacon; lentils, preserved; margarine; marmalade; animal marrow for food; mussels, not live; mollusks, not live; palm oil for food; nuts, prepared; powdered eggs; liver pâté; onions, preserved; olives, preserved; olive oil for food; bone oil for food; pectin for culinary purposes; pickles; peas, preserved; sausages; sardelki [sausages]; salted meats; preparations for making soup; tomato purée; vegetable salads; lard; fruit salads; sardines, not live; salmon,

not live; suet for food; tuna, not live; tomato juice for cooking; sunflower oil for food; tripe; truffles, preserved; poultry, not live; breaded pieces of chicken; fruit peel; alginates for culinary purposes; almonds, ground; peanuts, prepared; mushrooms, preserved; coconut fat; coconut oil for food; beans, preserved; liver; fish-based foodstuffs; fruit chips; clams, not live; fruit preserved in alcohol; pollen prepared as foodstuff; prawns, not live; fish, preserved; meat, preserved; shrimps, not live; snail eggs for consumption; tofu; whipped cream; pork; edible birds' nests; fish, canned; fish meal for human consumption; fruits, canned; meat, canned; potato fritters; salted fish; sea-cucumbers, not live; silkworm chrysalis for human consumption; vegetables, canned; sausages in batter; potato flakes; apple purée; cranberry compote; tahini; hummus; toasted laver; fruit-based snack food; curd; kimchi; soya milk; milk shakes; ajvar [preserved peppers]; sunflower seeds, prepared; fish mousses; non-alcoholic egg-nog; vegetable mousses; fish roe, prepared; seeds, prepared; aloe vera prepared for human consumption; preserved garlic; protein milk; flaxseed oil for food; low-fat potato chips; lecithin for culinary purposes; milk ferments for culinary purposes; condensed milk; smetana; ryazhenka [fermented baked milk]; prostokvasha [soured milk]; tomato paste; vegetable marrow paste; eggplant paste; peanut milk for culinary purposes; almond milk for culinary purposes; rice milk; artichokes, preserved; arrangements of processed fruit; powdered milk; yakitori; bulgogi; candied nuts; flavored nuts; hazelnuts, prepared; berries, preserved.

30 – Coffee; tea; cocoa; artificial coffee; rice; tapioca; sago; flour and preparations made from cereals; bread, pastry and confectionery; ice cream; sugar, honey, treacle; yeast, baking-powder; salt; mustard; vinegar, condiments; spices; seaweed [condiment]; pasta; almond paste; aniseed; star aniseed; confectionery for decorating Christmas trees; infusions, not medicinal; coffee flavorings; aromatic preparations for food; seasonings; unleavened bread; salt for preserving foodstuffs; rusks; cookies; malt biscuits; peppermint sweets; waffles; buns; unroasted coffee; vegetal preparations for use as coffee substitutes; cakes; cinnamon [spice]; capers; caramels [sweets]; curry [spice]; chewing gum; chicory [coffee substitute]; chocolate; marzipan; cloves [spice]; sugar confectionery; corn flakes; popcorn; preparations for stiffening whipped cream; pancakes; essences for foodstuffs, except etheric essences and essential oils; cooking salt; thickening agents for cooking foodstuffs; turmeric; natural sweeteners; gingerbread; allspice; meal; bean meal; corn flour; mustard meal; barley meal; soya flour; wheat flour; starch for food; ferments for pastes; fondants [confectionery]; petits fours; flavorings, other than essential oils, for cakes; cake powder; cake dough; ginger [spice]; binding agents for ice cream; ice, natural or artificial; glucose for culinary purposes; gluten prepared as foodstuff; groats for human food; ketchup [sauce]; cocoa beverages with milk; coffee

beverages with milk; chocolate beverages with milk; leaven; sausage binding materials; macarons; macaroni; corn, milled; corn, roasted; maltose; molasses for food; golden syrup; mint for confectionery; husked barley; nutmegs; noodles; pies; crushed barley; sandwiches; pastilles [confectionery]; pastries; petit-beurre biscuits; bread rolls; peppers [seasonings]; pizzas; pepper; potato flour; puddings; pralines; ravioli; liquorice [confectionery]; saffron [seasoning]; sauces [condiments]; celery salt; semolina; sherbets [ices]; spaghetti; tapioca flour; tarts; vanilla flavorings for culinary purposes; vanillin [vanilla substitute]; vermicelli; meat pies; pâtés en croûte; meat tenderizers for household purposes; edible ices; powders for making ice cream; almond confectionery; peanut confectionery; food flavorings, other than essential oils; flavorings, other than essential oils, for beverages; crushed oats; husked oats; oat-based food; oat flakes; oatmeal; stick liquorice [confectionery]; beer vinegar; coffee-based beverages; chocolate-based beverages; lollipops [confectionery]; chips [cereal products]; chow-chow [condiment]; couscous; malt extract for food; malt for human consumption; bee glue; relish [condiment]; royal jelly; sea water for cooking; sushi; tomato sauce; mayonnaise; crackers; custard; fruit jellies [confectionery]; muesli; rice cakes; soya sauce; frozen yogurt [confectionery ices]; chutneys [condiments]; spring rolls; tacos; tortillas; iced tea; tea-based beverages; dressings for salad; breadcrumbs; tabbouleh; halvah; quiches; meat gravies; miso; cereal-based snack food; rice-based snack food; hominy; hominy grits; baking soda [bicarbonate of soda for cooking purposes]; garden herbs, preserved [seasonings]; noodle-based prepared meals; cake frosting [icing]; chocolate mousses; dessert mousses [confectionery]; fruit coulis [sauces]; marinades; cheeseburgers [sandwiches]; pesto; ham glaze; flaxseed for culinary purposes [seasoning]; wheat germ for human consumption; high-protein cereal bars; cream of tartar for culinary purposes; gluten additives for culinary purposes; pasta sauce; cereal bars; palm sugar; dough; flowers or leaves for use as tea substitutes; pastry dough; varenyki [stuffed dumplings]; pelmeni [dumplings stuffed with meat] including khinkali, manti; chocolate decorations for cakes; candy decorations for cakes; chocolate-coated nuts; rice pudding; nut flours; minced garlic [condiment]; baozi; rice pulp for culinary purposes; jiaozi; ramen; okonomiyaki [Japanese savory pancakes]; batter mixes for okonomiyaki [Japanese savory pancakes]; burritos; prepared rice rolled in seaweed; edible paper; edible rice paper; piccalilli.

43 – Services for providing food and drink; temporary accommodation; accommodation bureau services [hotels, boarding houses]; food and drink catering; retirement home services; café services; cafeteria services; providing campground facilities; canteen services; rental of temporary accommodation; boarding house services; tourist home services; hotel services; day-nursery [crèche] services; restaurant services; board-

ing house bookings; hotel reservations; self-service restaurant services; snack-bar services; boarding for animals; bar services; holiday camp services [lodging]; rental of transportable buildings; temporary accommodation reservations; motel services; rental of chairs, tables, table linen, glassware; rental of meeting rooms; rental of tents; rental of cooking apparatus; rental of drinking water dispensers; rental of lighting apparatus; food sculpting.

(260) AM 2022 112969 A

(800) 1590838

(151) 2021 02 09

(891) 2021 02 09

(731) Non-profit organization Fund for Practical Shooting Development
Aviamotornaya street, 4, building 1, apartment 16, RU-111116 Moscow, Russian Federation

(540)



(591) Black, blue and gold

(531) 01.01.02; 01.01.10; 01.01.25; 01.05.02;
24.01.07; 24.01.15; 29.01.13

(511)

25 – Bandanas [neckerchiefs]; underwear; sweat-absorbent underwear; berets; overalls; teddies [underclothing]; boxer shorts; ankle boots; boots for sports; breeches for wear; trousers; football shoes; brassieres; valenki [felted boots]; mittens; collars [clothing]; detachable collars; shirt yokes; galoshes; neckties; ascots; leggings [leg warmers]; gaiters; boot uppers; jerseys [clothing]; waistcoats; sports jerseys; hosiery; heels; hoods [clothing]; pockets for clothing; caps being headwear; cap peaks; visors being headwear; tights; slippers [underclothing]; combinations [clothing]; suits; bathing suits; masquerade costumes; beach clothes; headscarves; jackets [clothing]; stuff jackets [clothing]; fishing vests; leggings [trousers]; liveries; camisoles; sports singlets; furs [clothing]; bibs, not of paper; bibs, sleeved, not of paper; fur stoles; ear muffs [clothing]; socks; sweat-absorbent socks; footwear; beach shoes; sports shoes; clothing; paper clothing; outerclothing; embroidered clothing; ready-made clothing; motorists' clothing; cyclists' clothing; clothing of imitations of leather; clothing of leather; waterproof clothing; clothing incorporating LEDs; uniforms; clothing containing slimming substances; overcoats; parkas; gloves [clothing]; pyjamas; bathing trunks;

scarves; pocket squares; dresses; headbands [clothing]; braces for clothing [suspenders]; half-boots; lace boots; ponchos; girdles; belts [clothing]; money belts [clothing]; sashes for wear; non-slipping devices for footwear; heelpieces for stockings; welts for footwear; shirts; wooden shoes; sandals; bath sandals; boots; jumper dresses; saris; sarongs; sweaters; footwear uppers; inner soles; albs; bath slippers; togas; knitwear [clothing]; underpants; shoes; gymnastic shoes; slippers; headwear; aprons [clothing]; tee-shirts; rash guards; dressing gowns; bath robes; tips for footwear; stockings; sweat-absorbent stockings; shawls; paper hats [clothing]; shower caps; bathing caps; neck tube scarves; hats; babies' pants [underwear]; gaiter straps; pelisses; esparto shoes or sandals; skirts; petticoats; skorts; sleep masks; fingerless gloves.

41 – Academies [education]; rental of sports grounds; booking of seats for shows; physical education; publication of books; layout services, other than for advertising purposes; correspondence courses; practical training [demonstration]; training services provided via simulators; providing recreation facilities; arranging and conducting of congresses; arranging and conducting of conferences; arranging and conducting of workshops [training]; arranging and conducting of seminars; arranging and conducting of symposiums; organization of competitions [education or entertainment]; organization of sports competitions; vocational guidance [education or training advice]; vocational retraining; providing online videos, not downloadable; providing information in the field of education; providing information relating to recreational activities; providing user reviews for entertainment or cultural purposes; providing user rankings for entertainment or cultural purposes; providing sports facilities; providing online electronic publications, not downloadable; conducting fitness classes; educational examination; film production, other than advertising films; rental of videotapes; rental of sports equipment, except vehicles; rental of training simulators; online publication of electronic books and journals; publication of texts, other than publicity texts; radio entertainment; entertainment services; film directing, other than advertising films; party planning [entertainment]; game services provided online from a computer network; personal trainer services [fitness training]; club services [entertainment or education]; teaching; educational services provided by special needs assistants; educational services provided by schools; physical fitness assessment services for training purposes; ticket agency services [entertainment]; coaching [training]; sport camp services; nursery schools; timing of sports events; production of shows; health club services [health and fitness training]; arranging and conducting of in-person educational forums; organization of exhibitions for cultural or educational purposes.

(260) AM 2022 112970 A
(800) 1590840
(151) 2021 03 09
(891) 2021 03 09
(731) LRG Online Limited
22 Charterhouse Square, London EC1M 6DX,
United Kingdom

(540)

SECRET SALES

(591) Black, white

(511)

35 – Retail services connected with the sale of clothing, clothing accessories, footwear, underwear, shoes, caps, hats, bags, wallets, belts, sportswear, swimwear, watches, optical products, sunglasses, perfume, cosmetics, beauty products, homeware, furniture, towels, bed linen, cutlery, cushions, duvets, curtains, chairs, tables, cooking articles, cookware, pots, pans, cups, mugs, rugs, electronic equipment, domestic electronic equipment, computers, printers, televisions, telephones, books, stationery, jewellery, sports equipment, tennis racquets, balls, footballs, tennis balls, cricket bats, fitness equipment, and children's toys; online retail services connected with the sale of clothing, clothing accessories, footwear, underwear, shoes, caps, hats, bags, wallets, belts, sportswear, swimwear, watches, optical products, sunglasses, perfume, cosmetics, beauty products, homeware, furniture, towels, bed linen, cutlery, cushions, duvets, curtains, chairs, tables, cooking articles, cookware, pots, pans, cups, mugs, rugs, electronic equipment, domestic electronic equipment, computers, printers, televisions, telephones, books, stationery, jewellery, sports equipment, tennis racquets, balls, footballs, tennis balls, cricket bats, fitness equipment, and children's toys; advertising services.

(260) AM 2022 112971 A
(800) 1590849
(151) 2020 11 19
(891) 2020 11 19
(731) Zakrytoe aktsionernoe obshchestvo "Myasnaya galereya"
ul. Poliny Osipenko, 65, of. 10, RU-600009
g. Vladimir, Russian Federation

(540)

СУПЕРМЕНИ SUPERMENI

(591) Black, white

(531) 28.05

(511)

29 – Albumen for culinary purposes; seaweed extracts for food; gelatine; edible fats; anchovy, not live; peanut butter; butter; cocoa butter for food; coconut butter; buttercream; white of eggs; black pudding; broth;

preparations for making bouillon; caviar; fruit, preserved; charcuterie; potato chips; sauerkraut; coconut, desiccated; rape oil for food; broth concentrates; jams; frozen fruits; soups; raisins; gherkins; vegetables, preserved; vegetables, cooked; vegetables, dried; edible oils; cream [dairy products]; cheese; frosted fruits; croquettes; crustaceans, not live; dates; milk; crayfish, not live; fish fillets; rennet; fruit, stewed; fruit jellies; fruit pulp; meat; fish, not live; jellies for food; meat jellies; game, not live; ginger jam; soya beans, preserved, for food; fatty substances for the manufacture of edible fats; fat-containing mixtures for bread slices; herrings, not live; lobsters, not live; corn oil; palm kernel oil for food; sesame oil; oysters, not live; isinglass for food; ham; yolk of eggs; yogurt; vegetable soup preparations; vegetable juices for cooking; meat extracts; kefir [milk beverage]; kumys [milk beverage]; milk beverages, milk predominating; whey; milk products; spiny lobsters, not live; bacon; lentils, preserved; margarine; marmalade; animal marrow for food; mussels, not live; mollusks, not live; palm oil for food; nuts, prepared; eggs; powdered eggs; liver pâté; onions, preserved; olives, preserved; olive oil for food; bone oil for food; pectin for culinary purposes; pickles; peas, preserved; sausages; sardelki [sausages]; salted meats; preparations for making soup; tomato purée; vegetable salads; lard; fruit salads; sardines, not live; salmon, not live; suet for food; tuna, not live; tomato juice for cooking; sunflower oil for food; tripe; truffles, preserved; poultry, not live; pieces of chicken in batter; fruit peel; alginates for culinary purposes; almonds, ground; peanuts, processed; mushrooms, preserved; coconut fat; coconut oil for food; beans, preserved; liver; fish-based foodstuffs; fruit chips; clams, not live; fruit preserved in alcohol; pollen prepared as foodstuff; prawns, not live; fish, preserved; meat, preserved; shrimps, not live; snail eggs for consumption; tofu; whipped cream; pork; edible birds' nests; fish, canned; fish meal for human consumption; fruits, canned; meat, canned; potato fritters; salted fish; sea-cucumbers, not live; silkworm chrysalis for human consumption; vegetables, canned; sausages in batter; potato flakes; apple purée; cranberry compote; tahini [sesame seed paste]; hummus [chickpea paste]; toasted laver; fruit-based snack food; curd; kimchi [fermented vegetable dish]; soya milk; milk shakes; ajvar [preserved peppers]; processed sunflower seeds; fish mousses; non-alcoholic eggnog; vegetable mousses; fish roe, prepared; seeds, prepared; aloe vera prepared for human consumption; preserved garlic; protein milk; linseed oil for food; low-fat potato chips; lecithin for culinary purposes; milk ferments for culinary purposes; compotes; condensed milk; smetana [sour cream]; ryazhenka [fermented baked milk]; prostokvasha [soured milk]; tomato paste; vegetable marrow paste; eggplant paste; peanut milk for culinary purposes; almond milk for culinary purposes; rice milk; artichokes, preserved; arrangements of processed fruit; powdered milk; yaki-

tori; bulgogi; candied nuts; flavored nuts; hazelnuts, prepared; berries, preserved; guacamole [mashed avocado]; onion rings; falafel; lemon juice for culinary purposes; freeze-dried meat; oat milk; vegetable-based cream; freeze-dried vegetables; extra virgin olive oil for food; galbi [grilled meat dish]; escamoles [edible ant larvae, prepared]; edible insects, not live; sweet corn, processed; nut-based spreads; potato-based dumplings; hot dog sausages; corn dogs; soya bean oil for food; milk substitutes; almond milk; peanut milk; coconut milk; coconut milk for culinary purposes; coconut milk-based beverages; rice milk for culinary purposes; almond milk-based beverages; peanut milk-based beverages; sausage casings, natural or artificial; shpikachki [sausages]; chicken nuggets; klipfish [salted and dried cod]; cottage cheese fritters; pressed fruit paste; yuba [tofu skin]; soya patties; tofu patties.

30 – Seaweed [condiment]; pasta; almond paste; aniseed; star aniseed; confectionery for decorating Christmas trees; infusions, not medicinal; coffee flavorings; aromatic preparations for food; seasonings; unleavened bread; salt for preserving foodstuffs; rusks; cookies; malt biscuits; peppermint sweets; sweets; waffles; buns; cocoa; coffee; unroasted coffee; vegetal preparations for use as coffee substitutes; cakes; cinnamon [spice]; capers; caramels [sweets]; curry [spice]; cereal preparations; chewing gum; chicory [coffee substitute]; tea; chocolate; marzipan; cloves [spice]; condiments; confectionery; corn flakes; popcorn; preparations for stiffening whipped cream; ice cream; pancakes; essences for foodstuffs, except etheric essences and essential oils; cooking salt; thickening agents for cooking foodstuffs; turmeric; natural sweeteners; spices; gingerbread; allspice; flour; bean meal; corn meal; mustard meal; barley meal; soya flour; wheat flour; starch for food; ferments for pastes; fondants [confectionery]; petits fours [cakes]; sugar; flavorings, other than essential oils, for cakes; cake powder; cake dough; ginger [spice]; binding agents for ice cream; ice, natural or artificial; ice for refreshment; glucose for culinary purposes; gluten prepared as foodstuff; groats for human food; vinegar; ketchup [sauce]; cocoa beverages with milk; coffee beverages with milk; chocolate beverages with milk; leaven; yeast; sausage binding materials; macarons; macaroni; corn, milled; corn, roasted; bread; maltose; molasses for food; golden syrup; mint for confectionery; honey; husked barley; mustard; nutmegs; noodles; pies; crushed barley; sandwiches; pastilles [confectionery]; pastries; petit-beurre biscuits; bread rolls; peppers [seasonings]; pizzas; pepper; potato flour; puddings; pralines; ravioli; liquorice [confectionery]; rice; saffron [seasoning]; sago; sauces [condiments]; celery salt; semolina; sherbets [ices]; spaghetti; tapioca; tapioca flour; tarts; vanilla flavorings for culinary purposes; vanillin [vanilla substitute]; vermicelli; meat pies; pâtés en croûte; meat tenderizers for household purposes; edible ices; powders for making ice cream; al-

mond confectionery; peanut confectionery; food flavorings, other than essential oils; flavorings, other than essential oils, for beverages; crushed oats; husked oats; oat-based food; oat flakes; oatmeal; stick liquorice [confectionery]; beer vinegar; coffee-based beverages; cocoa-based beverages; chocolate-based beverages; artificial coffee; lollipops [confectionery]; chips [cereal products]; chow-chow [condiment]; couscous; malt extract for food; malt for human consumption; bee glue; relish [condiment]; royal jelly; sea water for cooking; sushi; tomato sauce; mayonnaise; crackers; custard; fruit jellies [confectionery]; muesli; rice cakes; soya sauce; frozen yogurt [confectionery ices]; chutneys [condiments]; spring rolls; tacos; tortillas; iced tea; tea-based beverages; dressings for salad; breadcrumbs; tabbouleh; halvah; quiches; meat gravies; miso [seasoning]; cereal-based snack food; rice-based snack food; hominy; hominy grits; baking powder; baking soda [bicarbonate of soda for cooking purposes]; garden herbs, preserved [seasonings]; noodle-based prepared meals; cake frosting [icing]; chocolate mousses; dessert mousses [confectionery]; fruit coulis [sauces]; marinades; cheeseburgers [sandwiches]; pesto [sauce]; ham glaze; linseed for culinary purposes [seasoning]; wheat germ for human consumption; high-protein cereal bars; cream of tartar for culinary purposes; gluten additives for culinary purposes; pasta sauce; cereal bars; palm sugar; dough; flowers or leaves for use as tea substitutes; vareniki [stuffed dumplings]; pelmeni [dumplings stuffed with meat] including khinkali, manti; chocolate decorations for cakes; candy decorations for cakes; chocolate-coated nuts; rice pudding; nut flours; minced garlic [condiment]; baozi; rice pulp for culinary purposes; jiaozi; ramen [Japanese noodle-based dish]; okonomiyaki [Japanese savory pancakes]; batter mixes for okonomiyaki [Japanese savory pancakes]; burritos; prepared rice rolled in seaweed; edible paper; edible rice paper; chocolate-based spreads; chocolate spreads containing nuts; flour-based dumplings; agave syrup [natural sweetener]; mirror icing [mirror glaze]; freeze-dried dishes with the main ingredient being rice; freeze-dried dishes with the main ingredient being pasta; chamomile-based beverages; dulce de leche; bibimbap [rice mixed with vegetables and beef]; onigiri [rice balls]; instant rice; hot dog sandwiches; ice cubes; processed seeds for use as a seasoning; sesame seeds [seasonings]; chebureki [deep-fried pie]; picalilli; quinoa, processed; bulgur; buckwheat, processed; buckwheat flour; cranberry sauce [condiment]; apple sauce [condiment]; croutons; potato-based flatbreads; zefir [confectionery]; pastila [confectionery]; senbei [rice crackers]; kimchijeon [pancakes made with fermented vegetables]; shaved ice with sweetened red beans; mints for breath freshening; chewing gum for breath freshening; udon noodles; soba noodles.

(260) AM 2022 112989 A

(800) 1591282

(151) 2020 10 26

(891) 2020 10 26

(731) MYR GmbH

Eiermarkt 3c, 30938 Burgwedel, Germany

(540)



(591) Red, grey

(531) 26.03.01; 26.03.07; 26.03.18; 26.04.04;

26.04.09; 27.05.01; 27.05.10; 27.05.15;

29.01.13

(511)

1 – Chemicals for use in industry and science; peptides substrates for scientific and industrial purposes; oligopeptides; polypeptides; proteins [raw material]; polynucleotides [chemicals for scientific purposes]; oligonucleotides [chemicals for scientific purposes]; nucleic acids; SiRNA molecules; small molecules having a molar mass of 160 to 480 [for scientific purposes].

5 – Pharmaceutical and veterinary preparations; biological preparations for medical purposes; biological preparations for veterinary purposes; biochemical preparations for medical purposes; biochemical preparations for veterinary purposes; chemical preparations for medical purposes; chemical preparations for veterinary purposes; medicines for medical purposes; medicines for veterinary purposes; pharmaceutical preparations for treating liver diseases and disorders; pharmaceutical products for hepatitis B; pharmaceutical products for hepatitis D; pharmaceutical preparations for dyslipidemia; pharmaceutical preparations for non-alcoholic steatohepatitis [NASH]; pharmaceutical preparations for primary biliary cholangitis [PBC]; pharmaceutical preparations for inflammatory diseases; pharmaceutical preparations for inflammatory diseases inhibiting sodium-taurocholate co-transporting polypeptide [NTCP]; pharmaceutical preparations for the treatment of metabolic diseases; pharmaceutical preparations for the treatment of metabolic diseases inhibiting sodium-taurocholate co-transporting polypeptide [NTCP].

42 – Scientific and technological services and research and design relating thereto; industrial analysis services; industrial research services; scientific research for medical, chemical, biological, veterinary and pharmaceutical purposes; scientific and technological services and research and design related thereto in the field of hepatitis B; scientific and technological services and research and design related thereto in the field of hepatitis D; scientific and technological services and research and design related thereto in the field of dyslipidemia; scientific and technological services

and research and design related thereto in the field of nonalcoholic steatohepatitis [NASH]; scientific and technological services and research and design related thereto in the field of primary biliary cholangitis [PBC]; scientific and technological services and research and design related thereto in the field of inflammatory diseases; scientific and technological services and research and design related thereto in the field of inflammatory diseases inhibiting sodium-taurocholate co-transporting polypeptide [NTCP]; scientific and technological services and research and design related thereto in the field of metabolic diseases; scientific and technological services and research and design related thereto in the field of metabolic diseases inhibiting sodium-taurocholate co-transporting polypeptide [NTCP]; design and development of computer hardware and software; scientific and technological services in the field of preclinical development, in particular related to hepatitis B, hepatitis D, dyslipidemia, nonalcoholic steatohepatitis [NASH], inflammatory diseases, inflammatory diseases inhibiting sodium-taurocholate co-transporting polypeptide [NTCP], primary biliary cholangitis [PBC], metabolic diseases, and metabolic diseases inhibiting sodium-taurocholate co-transporting polypeptide [NTCP]; scientific and technological services in the field of clinical development, in particular related to hepatitis B, hepatitis D, dyslipidemia, nonalcoholic steatohepatitis [NASH], primary biliary cholangitis [PBC], inflammatory diseases, inflammatory diseases inhibiting sodium-taurocholate co-transporting polypeptide [NTCP], metabolic diseases, and metabolic diseases inhibiting sodium-taurocholate co-transporting polypeptide [MVP].

44 – Medical services; veterinary services; medical and veterinary services, in particular medical analysis in connection with the treatment of individuals; providing information in the medical field, veterinary field and pharmacology; services of health centres; services of clinics (ambulances); therapy services; hygienic and beauty care for human beings and animals.

(260) AM 2022 112993 A

(800) 1591512

(151) 2019 11 01

(891) 2019 11 01

(731) PT SOFTEX INDONESIA

Jl. Raya Serang Km. 17, Kom. Industri Gajah
Tunggal, Kel. Pasir Jaya, Kec. Jati Uwung,
Tangrang, Banten, Indonesia

(540)



(591) Red, yellow, green, light blue, blue, gray and white

(531) 01.15.01; 02.09.01; 03.01.14; 07.01.09;
07.01.24; 27.05.02; 29.01.15

(511)

5 – Baby diaper pants made from paper and cellulose.

16 – Any kind of bag made from paper; plastic bags for grocery and packing; paper and goods from paper; cardboard; newspapers; magazine; books; organizer for stationery use; catalogues; plastic film for wrapping; grocery bag for hypermarket, supermarket, mini market, traditional market; any kind of bags included in this class.

(260) AM 2022 112994 A

(800) 1591547

(151) 2020 12 31

(891) 2020 12 31

(731) Jiangsu Yuyue Medical Equipment & Supply
Co., Ltd.

Yunyang Industrial Park, Danyang City,
Jiangsu Province, China

(540)

yuwell

(591) Black, white

(531) 27.05.01

(511)

5 – Medicines for human purposes; drugs for medical purposes; diagnostic preparations for medical purposes; reagent paper for medical or veterinary purposes; oxygen for medical purposes; dressings, medical; surgical dressings.

10 – Medical apparatus and instruments; sphygmomanometers; cases fitted for medical instruments; thermometers for medical purposes; stethoscopes; diagnostic apparatus for medical purposes; glucose meters; apparatus for artificial respiration; respiratory mask for medical purposes; aerosol dispensers for medical purposes; defibrillators; massage apparatus; ophthalmoscopes; mirrors for surgeons; needles for medical purposes; acupuncture needles; surgical apparatus and instruments; dental apparatus, electric; dental apparatus and instruments; galvanic therapeutic appliances; physiotherapy apparatus; heart rate monitoring apparatus; blankets, electric, for medical purposes; heating cushions [pads], electric, for medical purposes; thermo-electric compresses [surgery]; ultraviolet sterilizing lamp for medical purposes; air mattresses, for medical purposes; childbirth mattresses; cooling patches for medical purposes; commode chairs; ice bags for medical purposes; medical masks; sanitary masks for medical purposes; masks for use by medical personnel; gloves for medical purposes; oxygen bags; furniture especially made for medical purposes;

orthopaedic articles; crutches; walking sticks for medical purposes; walking frames for disabled persons; wheeled walkers to aid mobility; suture materials.

12 – Wheelchairs; handcars; baby carriages; prams; strollers.

(260) AM 2022 112995 A
 (800) 650604
 (151) 1996 01 15
 (891) 2021 04 26
 (731) Swiss Pharma International AG
 Lindenstrasse 22, CH-8008 Zurich, Switzerland
 (540)

POLPHARMA

(591) Black, white
 (531) 27.05.01; 27.05.17
 (511)
 1 – Chemical products for use in pharmaceutical product production.
 5 – Pharmaceutical products.

(260) AM 2022 112996 A
 (800) 714135
 (151) 1999 05 04
 (891) 2021 03 30
 (731) Vasco Group NV
 Kruishoefstraat 50, B-3650 Dilsen, Belgium
 (540)

 **BRUGMAN**

(591) Black, white
 (531) 02.01.20; 26.04.04; 27.05.01; 27.05.11
 (511)
 11 – Heating apparatus, air-conditioning apparatus and component parts of these apparatus; regulating accessories for heating apparatus.

(260) AM 2022 112998 A
 (800) 792264
 (151) 2002 10 22
 (891) 2021 04 22
 (731) BELLOTA HERRAMIENTAS, S.L.
 Urola, 10, E-20230 LEGAZPI (Guipúzcoa), Spain
 (540)

 **BELLOTA**

(591) Black, white
 (531) 26.03.01; 26.03.12; 26.03.16

(511)
 7 – Machines and machine tools, not included in other classes; motors and engines (other than for land vehicles); couplings and transmission components (other than for land vehicles); instruments other than hand-operated for agriculture; incubators for eggs.

(260) AM 2022 112999 A
 (800) 1038054
 (151) 2009 12 22
 (891) 2021 04 29
 (731) Ocean Pharma GmbH
 Dieselstr. 6, 21465 Reinbek, Germany
 (540)

Skinicer

(591) Black, white
 (511)
 3 – Cosmetics.
 5 – Lotions for pharmaceutical purposes; lotions for veterinary purposes; medicinal drinks; medicinal hair growth preparations; mineral food supplements; dietetic beverages adapted for medical purposes; dietetic foods adapted for medical purposes; dietetic substances adapted for medical use.
 29 – Weed extracts for food; alginates (gelling and inflating) preparations for alimentary purposes.

(260) AM 2022 113000 A
 (800) 1059799
 (151) 2010 10 12
 (891) 2021 04 12
 (731) WOLF OIL CORPORATION N.V.
 Georges Gilliotstraat 52; B-2620 Hemiksem, Belgium
 (540)

CHAMPION[®]

(591) Red and white
 (531) 26.04.02; 26.04.22; 26.04.24; 27.05.24; 29.01.12
 (511)
 4 – Industrial oils and greases; lubricants; dust laying compositions; fuels, including motor spirit, and illuminants.

(260) AM 2022 113001 A
 (800) 1260330
 (151) 2015 07 16
 (891) 2021 04 23
 (731) DESARROLLO AGRÍCOLA Y MINERO,
 S.A.
 Camino de Enmedio, 120., E-50013 Zaragoza,
 Spain
 (540)

NATURAMIN

(591) Black, white
 (511)
 1 – Chemical products for use in agriculture, horticulture and forestry; manure for agriculture.

(260) AM 2022 113002 A
 (800) 1402052
 (151) 2017 12 13
 (891) 2021 04 15
 (731) Suntory Holdings Limited
 1-40, Dojimahama 2-chome, Kita-ku,
 Osaka-shi, 530-8203 Osaka, Japan
 (540)

THE HOUSE OF SUNTORY

The Nature and Spirit of Japan

(591) Black, white
 (531) 27.05.10
 (511)
 33 – Awamori [distilled rice spirits]; sake substitute; Japanese white liquor [Shochu]; Japanese sweet rice-based mixed liquor [Shiro-zake]; sake; Naoshi [Japanese liquor]; Japanese Shochu-based mixed liquor [Mirin]; western liquors in general; alcoholic fruit beverages; Japanese Shochu-based beverages [Chuhai]; beer-flavored alcoholic beverages containing neither malt nor oats; beer-flavored alcoholic beverages containing malt or oats, except beers and low malt beers; Chinese liquors in general; flavored liquors.

(260) AM 2022 113003 A
 (800) 1459355
 (151) 2019 02 06
 (891) 2021 04 19
 (731) Bibi Graetz di Dan Graetz
 Piazza Mino 37, I-50014 Fiesole, Firenze,
 Italy
 (540)

TESTAMATTA

(591) Black, white
 (511)
 33 – Wine.

(260) AM 2022 113004 A
 (800) 1479651
 (151) 2019 06 17
 (891) 2021 04 12
 (731) ZHONGCE RUBBER GROUP COMPANY
 LIMITED
 No.2 10th Avenue, Economic and Technological, Development Zone, Jianggan District,
 Hangzhou, Zhejiang, China
 (540)



(591) Black, white
 (531) 03.04.01; 03.04.02; 03.04.04; 27.05.01
 (511)
 12 – Tires for vehicle wheels; pneumatic tires; tires for automobiles.

(260) AM 2022 113006 A
 (800) 1576238
 (151) 2020 11 23
 (891) 2021 04 23
 (731) DAIMLER AG
 Mercedesstraße 137, 70327 Stuttgart,
 Germany
 (540)

MERCEDES-EQ

(591) Black, white
 (511)
 12 – Vehicles; electric vehicles; autonomous vehicles; apparatus for locomotion by land; apparatus for locomotion by water; apparatus for locomotion by air; air bags [safety devices for automobiles]; air pumps [vehicle accessories]; anti-dazzle devices for vehicles; anti-skid chains; anti-theft alarms for vehicles; anti-theft devices for vehicles; coachwork for motor vehicles; automobile chains; automobile chassis; automobile hoods; automobile tyres; sun visors for automobiles; axle journals; axles for vehicles; prams; pushchair covers; balance weights for vehicle wheels; bands for wheel hubs; torsion bars for vehicles; baskets adapted for bicycles; bells for bicycles, cycles; sleeping berths for vehicles; bicycle bells; bicycle brakes; bicycle chains; bicycle frames; bicycle handlebars; pumps for bicycle tyres; rims for bicycle wheels; bicycle saddles; spokes for bicycle wheels; bicycle kickstands; bicycle tyres; boat hooks; masts for boats; bodies for vehicles; bogies for railway cars; brake linings for vehicles; brake segments for vehicles; brake shoes for vehicles; brakes for vehicles; buffers for railway rolling stock; vehicle bumpers; bumpers for automobiles; caps for vehicle fuel tanks; luggage carriers for vehicles; casings for pneumatic tyres; trolleys [vehicles]; vehicle chassis; cleaning trolleys; cleats [nautical]; spoke clips for wheels; clutches for land vehicles; connecting rods for land vehicles, other than parts

of motors and engines; torque converters for land vehicles; railway couplings; couplings for land vehicles; seat covers for vehicles; covers for vehicle steering wheels; crankcases for land vehicle components, other than for engines; bicycle cranks; hubs for bicycle wheels; bicycle mudguards; cycle stands; davits for boats; direction indicators for bicycles; signal arms for vehicles; disengaging gear for ships; doors for vehicles; dress guards for bicycles; driving chains for land vehicles; driving motors for land vehicles; ejector seats for aircraft; motorized tailgates for trucks; traction engines; engines for land vehicles; fenders for ships; flanges for railway wheel tyres; freewheels for land vehicles; funnels for locomotives; funnels for ships; gear boxes for land vehicles; gearing for land vehicles; gears for cycles; trolleys; security harness for vehicle seats; head-rests for vehicle seats; push-chair hoods; hoods for vehicle engines; hoods for vehicles; horns for vehicles; hub caps; hubs for vehicle wheels; ship hulls; hydraulic circuits for vehicles; inclined ways for boats; adhesive rubber patches for repairing inner tubes; repair outfits for inner tubes; inner tubes for bicycle tyres; inner tubes for pneumatic tyres; jet engines for land vehicles; tailboard lifts [parts of land vehicles]; luggage nets for vehicles; two-wheeled trolleys; mine cart wheels; rearview mirrors; bicycle motors; motors, electric, for land vehicles; mudguards; non-skid devices for vehicle tyres; oars; paddles for canoes; luggage carriers for cycles; bicycle pedals; pneumatic tyres; portholes; propulsion mechanisms for land vehicles; pushchairs; reduction gears for land vehicles; reversing alarms for vehicles; rims for vehicle wheels; rowlocks; rudders; vehicle running boards; saddle covers for bicycles or motorcycles; saddles for bicycles, cycles or motorcycles; safety belts for vehicle seats; safety seats for children, for vehicles; screw-propellers; marine propellers; screws [propellers] for ships; sculls; vehicle seats; timbers [frames] for ships; steering gears for ships; vehicle shock absorbers; shock absorbing springs for vehicles; shopping trolleys; spars for ships; spikes for tyres; vehicle wheel spokes; steering wheels for vehicles; vehicle suspension springs; tipping apparatus, parts of trucks and waggons; tipping bodies for lorries; tyres for vehicle wheels; solid tyres for vehicle wheels; trailer hitches for vehicles; transmission chains for land vehicles; transmission shafts for land vehicles; transmissions for land vehicles; treads for retreading tyres; treads for vehicles [tractor type]; tubeless tyres for bicycles; turbines for land vehicles; undercarriages for vehicles; upholstery for vehicles; valves for vehicle tyres; vehicle covers [shaped]; vehicle tires; vehicle wheels; audible warning systems for bicycles; wheelbarrows; bicycle wheels; windows for vehicles; windshield wipers; windscreens; cigar lighters for automobiles; non-motorized scooters [vehicles]; electrically operated scooters; trailers [vehicles]; automobile roof racks; spoilers for automotive vehicles; automobile windshield sunshades; sunshine

roofs for vehicles; golf carts [vehicles]; body panels for vehicles; parts and fittings for vehicles.

(260) AM 2022 113007 A

(800) 1582226

(151) 2020 11 23

(891) 2021 04 23

(731) Daimler AG

Mercedesstr. 120, 70372 Stuttgart, Germany

(540)

MERCEDES-EQ

(591) Black, white

(511)

3 – Non-medicated cosmetics and toiletry preparations; non-medicated dentifrices; perfumery, essential oils; laundry preparations; bleaching preparations; polishing preparations; buffing compounds; abrasives; grease-removing preparations; soap products; hair lotions; sandcloth; abrasive paper; adhesives for cosmetic purposes; alum stones [astringents]; antiperspirants [toiletries]; antistatic preparations for household purposes; bath salts, not for medical purposes; breath freshening sprays; cotton swabs for cosmetic purposes; cotton wool for cosmetic purposes; dental bleaching gels; emery cloth; emery paper; fumigation preparations [perfumes]; glass cloth [abrasive cloth]; sandpaper; incense; joss sticks; lacquer-removing preparations; spray polish; preparations to make the leaves of plants shiny; sachets for perfuming linen; fragrances; air fragrancing preparations; fragrances for automobiles; fragrances for personal use; household fragrances; fragrance refills for non-electric room fragrance dispensers; refills for electric room fragrance dispensers; mouthwashes, not for medical purposes; colour-removing preparations; shampoos for pets [non-medicated grooming preparations]; shampoos; hair care preparations, not for medical purposes; polishing paper; potpourris [fragrances]; pumice stone; scented wood; shaving stones [astringents]; shaving preparations; shoemakers' wax; tailors' wax; smoothing stones; toiletries; decorative transfers for cosmetic purposes; tripoli stone for polishing; varnish-removing preparations; vehicle cleaning preparations; automobile polishes; car wax.

6 – Metal materials for building and construction; buildings of metal; buildings, transportable, of metal; containers of metal for storage, transport and packaging; common metals and their alloys; railway material of metal; non-electric cables and wires of common metal; metal hardware; small items of metal hardware; pipes and tubes of metal; safes [metal or non-metal]; statues and works of art of common metals; packaging, wrapping and bundling articles, of metal; iron ores; gold solder; silver solder; locks of metal for vehicles; badges of metal for vehicles; metal ramps for use with vehicles; registration plates of metal; turnstiles of metal.

7 – Electric arc cutting apparatus; door closers, electric; door openers, electric; electric arc welding apparatus; electric welding apparatus; elevator operating apparatus; galvanizing machines; elevators [lifts]; car lifts; electrical apparatus for sealing plastics [packaging]; soldering apparatus, electric; soldering irons, electric; electrodes for welding machines; vending machines; machine tools; agricultural, earthmoving, construction, oil and gas extraction and mining equipment; electrical pumps; compressors [machines]; blowing machines; moving and handling equipment; current generators; fuel economisers for motors and engines; anti-pollution devices for motors and engines; motors, other than for land vehicles; dispensing machines; sweeping, cleaning, washing and laundering machines; car washing machines; washing installations for vehicles; air compressors for vehicles; camshafts for vehicle engines; engine cylinders for vehicles; fuel economisers.

8 – Handles for hand-operated hand tools; hand tools and implements [hand-operated]; hand-operated hygienic and beauty implements for humans and animals; cutlery, and food preparation implements being kitchen knives, cutting and grinding implements; scissors for kitchen use; kitchen knives; lifting tools; emergency and rescue hand tools; razors; hair clippers; depilation appliances, electric and non-electric; electric hair straighteners; electric hair curling irons; electric ear hair trimmers; electric irons for styling hair; vehicle trolley jacks [hand-operated]; hand-operated scrapers for removing ice from vehicle windows; hand-operated tools for repair of vehicles.

9 – Research apparatus and instruments; navigation, guidance, tracking, targeting and map making devices; surveying apparatus and instruments; information technology and audio-visual, multimedia and photographic devices; display devices, television receivers and film and video devices; optical devices, enhancers and correctors; weighing apparatus and instruments; measuring, detecting, monitoring and controlling devices; measuring instruments; safety, security, protection and signalling devices; detecting apparatus and instruments; testing and quality control devices; life saving apparatus and equipment; scientific research and laboratory apparatus, educational apparatus and simulators; apparatus, instruments and cables for electricity; apparatus and instruments for reproducing of data; apparatus for broadcasting sound, data or images; apparatus for recording data; digital signal processors; apparatus for electronic payment processing; magnetic data carriers, recording discs; coin-operated mechanisms; cash registers; calculating devices; data processing apparatus; computers; computer keyboards; computer peripheral devices; fire extinguishers; clothing for protection against accidents, irradiation and fire; gloves for protection against accidents; asbestos screens for firemen; protective suits for aviators; fire boats; breathing apparatus for underwater

swimming; breathing apparatus, except for artificial respiration; bullet-proof waistcoats; loudspeakers; animated cartoons; cases especially made for photographic apparatus and instruments; cases fitted with dissecting instruments [microscopy]; cleaning apparatus for phonograph records; nose clips for divers and swimmers; clothing especially made for laboratories; holders for electric coils; mobile apps; software; computer gaming software; computer programs, recorded; computer programs, downloadable; computer software platforms; educational software; application software; software for smartphones; e-payment software; artificial intelligence software; cloud computing software; augmented reality software; speech recognition software; software for gps navigation systems; artificial intelligence software for vehicles; spectacles; sunglasses; goggles for sports; spectacle cases; spectacle chains; contact lenses; containers for contact lenses; containers for microscope slides; covers for electric outlets; diving equipment; divers' masks; diving suits; ear plugs for divers; electric installations for the remote control of industrial operations; electrified fences; electronic publications, downloadable; spectacle cords; spectacle frames; workmen's protective face-shields; respiratory masks, other than for artificial respiration; protective masks; solderers' helmets; filters for respiratory masks; fire beaters; fire blankets; fire engines; fire extinguishing apparatus for automobiles; fire hose nozzles; furniture especially made for laboratories; gloves for divers; gloves for protection against x-rays for industrial purposes; head protection; protective helmets for sports; riding helmets; interfaces for computers; record players; mobile telephones; cell phone covers; knee-pads for workers; locks, electric; magnets; decorative magnets; masts for wireless aerials; micrometer screws for optical instruments; monitors [computer hardware]; monitors [computer programs]; mouse pads; safety nets; nets for protection against accidents; oxygen transvasing apparatus; plotters; computer operating programs, recorded; protection devices against x-rays, not for medical purposes; protection devices for personal use against accidents; push buttons for bells; railway traffic safety appliances; reflecting discs for wear, for the prevention of traffic accidents; respirators for filtering air; safety restraints, other than for vehicle seats and sports equipment; retorts' stands; road signs, luminous or mechanical; safety tarpaulins; shoes for protection against accidents, irradiation and fire; signs, luminous; spark-guards; stands for photographic apparatus; steering apparatus, automatic, for vehicles; teeth protectors; theft prevention installations, electric; tripods for cameras; wrist rests for use with computers; credit cards; card readers for credit cards; electronic card readers; credit card terminals; software for facilitating secure credit card transactions; terminals for electronically processing credit card payments; downloadable media; media content; batteries; battery chargers; batteries for electric vehicles; charging stations for el-

electric vehicles; smartwatches; smartphones in the shape of a watch; podcasts; computer programs for use in the autonomous navigation of vehicles; computer programs for use in autonomous control of vehicles; rear-view cameras for vehicles; on board electronic systems for providing parking assistance; on board electronic systems for providing driving assistance.

11 – Lighting apparatus; lighting installations; heating apparatus and installations; cooking appliances; installations for cooking; refrigerating apparatus; cooling installations; drying installations; apparatus for ventilating; ventilating installations; water conduits installations; sanitary apparatus and installations; steam generating apparatus; steam generating installations; heating, ventilating, and air conditioning and purification equipment (ambient); acetylene flares; acetylene generators; air valves for steam heating installations; anti-glare devices for vehicles [lamp fittings]; aquarium filtration apparatus; furnace ash boxes; ash conveyor installations, automatic; bath fittings; hot air bath fittings; boiler pipes [tubes] for heating installations; brackets for gas burners; carbon for arc lamps; chimney blowers; chimney flues; chromatography apparatus for industrial purposes; coils [parts of distilling, heating or cooling installations]; dampers [heating]; light diffusers; distillation apparatus; distillation columns; expansion tanks for central heating installations; feeding apparatus for heating boilers; air filters for industrial and household use; filters for air conditioning; filters for drinking water; furnace grates; fittings, shaped, for furnaces; flare stacks for use in the oil industry; flues for heating boilers; ornamental fountains; structural plates for ovens; friction lighters for igniting gas; loading apparatus for furnaces; gas condensers, other than parts of machines; gas lighters; gas scrubbers [parts of gas installations]; gas scrubbing apparatus and gas purification apparatus; humidifiers for central heating radiators; kiln furniture [supports]; lamp chimneys; lamp glasses; lamp globes; lamp reflectors; lamp shades; lampshade holders; lava rocks for use in barbecue grills; level controlling valves in tanks; igniters; mixer taps for water pipes; anti-splash tap nozzles; oil-scrubbing apparatus; oven fittings made of fireclay; ovens (shaped fittings for -); taps for pipes and pipelines; pipes [parts of sanitary installations]; polymerisation installations; purification installations for sewage; radiator caps; refining towers for distillation; regulating and safety accessories for gas apparatus; regulating and safety accessories for gas pipes; regulating and safety accessories for water apparatus; safety accessories for water or gas apparatus and pipes; toilet seats; sockets for electric lights; tanning apparatus [sun beds]; taps; thermostatic valves [parts of heating installations]; ultraviolet ray lamps, not for medical purposes; washers for water taps; air-conditioning installations; vehicle HVAC systems (heating, ventilation and air conditioning); defrosters for vehicles; lights for vehicles; lighting apparatus for

vehicles; light bulbs for directional signals for vehicles; cool boxes, electric.

14 – Precious metals and their alloys; jewellery; precious stones; clocks; clocks and watches, electric; time instruments; agates; anchors [clock- and watchmaking]; barrels [clock- and watchmaking]; cases for clock- and watchmaking; cases for watches [presentation]; watch chains; clock cases; clock hands; clockworks; coins; copper tokens; dials [clock- and watchmaking]; ornaments of jet; jet, unwrought or semi-wrought; jewel cases; key rings [split rings with trinket or decorative fob]; medals; movements for clocks and watches; olivine [gems]; pearls made of ambroid [pressed amber]; pendulums [clock- and watchmaking]; semi-precious stones; spinel [precious stones]; watch springs; watch bands; watch cases [parts of watches]; watch glasses; bracelets [jewellery].

16 – Stationery and educational supplies; bags and articles for packaging, wrapping and storage of paper, cardboard or plastics; printed matter; bookbinding material; photographs [printed]; gums [adhesives] for stationery or household purposes; artists' materials; paint boxes and brushes; typewriters, electric or non-electric; office requisites, except furniture; plastic materials for packaging; type [numerals and letters]; printing blocks; adhesive tapes for stationery or household purposes; architects' models; garbage bags of paper or of plastics; bags for microwave cooking; balls for ball-point pens; marking chalk; holders for cheque books; money holders; composing frames [printing]; composing sticks; engraving plates; galley racks [printing]; graining combs; hand labelling appliances; passport holders; house painters' rollers; apparatus for mounting photographs; packaging material made of starches; photograph stands; printers' blankets, not of textile; printers' galleys; self-adhesive tapes for stationery or household purposes; sheets of reclaimed cellulose for wrapping; steatite [tailor's chalk]; tailors' chalk; trays for sorting and counting money; vignetting apparatus; wristbands for the retention of writing instruments; vehicle bumper stickers; disposable sterilization pouches.

18 – Leather and imitations of leather; animal skins; trunks and suitcases; bags; umbrellas; parasols; walking sticks; whips; harnesses; saddlery; attaché cases; rucksacks; game bags [hunting accessories]; net bags for shopping; nose bags [feed bags]; bags [envelopes, pouches] of leather, for packaging; bags for sports; shoulder belts [straps] of leather; beach bags; briefcases; card cases [notecases]; chain mesh purses; clothing for pets; collars for animals; umbrella covers; covers for animals; dog collars; dog leashes; coats for dogs; handbag frames; frames for umbrellas or parasols; goldbeaters' skin; handbags; suitcase handles; walking stick handles; haversacks; horse blankets; horseshoes; knee-pads for horses; music cases; muzzles; pocket wallets; purses; umbrella or parasol ribs; school bags; shopping bags; straps for skates; sling

bags for carrying infants; slings for carrying infants; straps for soldiers' equipment; umbrella handles; umbrella rings; umbrella sticks; vanity cases, not fitted; walking stick seats; roller bags.

20 – Furniture; mirrors (silvered glass); picture frames; containers, not of metal [storage, transport]; air cushions, not for medical purposes; air mattresses, not for medical purposes; air pillows, not for medical purposes; packaging containers of plastic; yellow amber; works of art of wood, wax, plaster or plastic; comb foundations for beehives; bamboo; bead curtains for decoration; bed casters, not of metal; bedding, except linen; vice benches [furniture]; bins, not of metal; slatted indoor blinds; bolsters; bottle caps, not of metal; bottle closures, not of metal; nesting boxes; beds for household pets; picture frame brackets; mooring buoys, non-metallic; busts of wood, wax, plaster or plastic; cabinet work; sealing caps, not of metal; furniture casters, not of metal; wind chimes [decoration]; clothes hooks, not of metal; coat hangers; coathooks, not of metal; coral; corozo; costume stands; garment covers [storage]; covers for clothing [wardrobe]; curtain holders, not of textile material; curtain hooks; curtain rails; curtain rings; curtain rods; curtain rollers; curtain tie-backs; cushions; pet cushions; dog kennels; door fittings, not of metal; door handles, not of metal; doors for furniture; mannequins and tailors' dummies; fans for personal use, non-electric; figurines of wood, wax, plaster or plastic; screens for fireplaces [furniture]; furniture fittings, not of metal; floating containers, not of metal; flower-pot pedestals; funerary urns; honeycombs; horn, unworked or semi-worked; house numbers, not of metal, non-luminous; nesting boxes for household pets; indoor window blinds [furniture]; mats for infant playpens; infant walkers; inflatable publicity objects; ivory, unworked or semi-worked; kennels for household pets; mats, removable, for sinks; mattresses; meerscham; mobiles [decoration]; mouldings for picture frames; mother-of-pearl, unworked or semi-worked; oyster shells; pillows; plaited straw, except matting; straw plaits; rattan; reeds [plaiting materials]; stair rods; saw horses; shells; statues of wood, wax, plaster or plastic; straw edgings; table tops; tortoiseshell; imitation tortoiseshell; wax figures; whalebone, unworked or semi-worked.

21 – Containers for household or kitchen use; cosmetic utensils; kitchen utensils; utensils for household purposes; gloves for household purposes; combs; sponges; brushes; material for brush-making; cleaning articles; cleaning instruments, hand-operated; metallic wool for cleaning purposes; glass, unworked or semi-worked, except building glass; glassware; porcelain; earthenware; indoor aquaria; aquarium hoods; bird baths; birdcages; cages for household pets; deodorizing apparatus for personal use; feeding troughs; managers for animals; floss for dental purposes; fly catchers [traps or whisks]; fly swatters; gardening gloves; indoor terrariums [plant cultivation]; indoor terra-

riums [vivariums]; insect traps; litter boxes for pets; appliances for removing make-up, non-electric; menu card holders; mouse traps; nest eggs, artificial; nozzles for watering hose; nozzles for watering cans; poultry rings; powder compacts; powder puffs; rat traps; rings for birds; lawn sprinklers; syringes for watering flowers and plants; watering devices; watering cans; electric devices for attracting and killing insects; appliances for removing make-up, electric.

24 – Textiles; substitutes for textiles; textiles and substitutes for textiles; bed covers; table linen; banners of textile or plastic; bunting of textile or plastic; furniture coverings of plastic; curtains of textile or plastic; flags of textile or plastic; plastic material [substitute for fabrics]; shower curtains of textile or plastic; sleeping bags for camping; sleeping bags; covers for cushions; quilt covers; bed linen and table linen.

25 – Clothing; footwear; headgear; boot uppers; heel-pieces for footwear; non-slipping devices for boots; cap peaks; dress shields; studs for football boots; tips for footwear; footwear uppers; hat frames [skeletons]; heelpieces for stockings; heels; inner soles; ready-made linings [parts of clothing]; non-slipping devices for footwear; pockets for clothing; shirt fronts; shirt yokes; fittings of metal for footwear; welts for footwear; soles for footwear; visors; driving gloves; motorists' clothing; sportswear; boots for sports.

27 – Carpets, rugs and mats; door mats; linoleum; floor coverings; wallpaper; artificial turf; vehicle mats and carpets; wall and ceiling coverings.

28 – Games; toys; video game apparatus; gymnastic and sporting articles; decorations for christmas trees; bags adapted to carry surfboards; artificial fishing bait; billiard cue tips; billiard markers; pool table cushions; floats for fishing; bite sensors [fishing tackle]; bladders of balls for games; chalk for billiard cues; Christmas tree stands; Christmas trees of synthetic material; confetti; cricket bags; divot repair tools [golf accessories]; rollers for stationary exercise bicycles; fairground ride apparatus; fish hooks; golf bags, with or without wheels; gut for fishing; gut for rackets; kite reels; fishing lines; masts for sailboards; novelty toys for playing jokes; protective paddings [parts of sports suits]; paintballs [ammunition for paintball guns] [sports apparatus]; caps for pistols [toys]; strings for rackets; reels for fishing; rosin used by athletes; surfboard leashes; flippers for swimming; swimming belts; swimming jackets; water wings; swimming pools [play articles]; sports equipment; toy vehicles; scale model vehicles; skis, ski sticks and ski accessories.

(260) AM 2022 113053 A

(800) 1591619

(151) 2020 12 31

(891) 2020 12 31

(731) AKSAN KOZMETİK SAN. VE TİC. A.Ş.

Hadımköy Mah. Şahmaran Sok. No:1/A,

Arnavutköy, İstanbul, Turkey

(540)

Bébé Royal

(591) Black, white

(531) 27.05.01

(511)

3 – Non-medicated cosmetics and toiletry preparations; non-medicated dentifrices; perfumery, essential oils; bleaching preparations and other substances for laundry use; cleaning, polishing, scouring and abrasive preparations.

5 – Pharmaceuticals, medical and veterinary preparations; sanitary preparations for medical purposes; dietetic food and substances adapted for medical or veterinary use, food for babies; dietary supplements for human beings and animals; plasters, materials for dressings; material for stopping teeth, dental wax; disinfectants; preparations for destroying vermin; fungicides, herbicides.

(260) AM 2022 113054 A

(800) 1591645

(151) 2021 01 26

(891) 2021 01 26

(731) TAYAŞ GIDA SANAYİ VE TİCARET

ANONİM ŞİRKETİ

Gebze Organize Sanayi Bölgesi, İhsan Dede

Cad. 800. Sok. No:122, Gebze, Kocaeli, Turkey

(540)

DamlaVit

(591) Black, white

(531) 27.05.01

(511)

30 – Confectionery, chocolate, biscuits, crackers, wafers.

(260) AM 2022 113056 A

(800) 1591770

(151) 2020 10 30

(891) 2020 10 30

(731) JUNIA

2 rue Norbert Ségard, F-59800 LILLE, France

(540)

JUNIA

(591) Black, white

(511)

9 – Electronic publications supplied and accessible online; interactive compact disks; compact discs; teaching apparatus and instruments; recorded programs (software); equipment for data processing and computers; magnetic data media; computers; video cameras; game software; electronic pocket translators; downloadable ringtones for mobile telephones; downloadable music files; downloadable image files; downloadable electronic publications; downloadable computer software applications; interfaces [for computers]; recorded computer operating system programs; electronic agendas; electronic book readers; smartphones; cordless telephones; mobile telephones; video telephones; electronic tablets; laptop computers; notebook computers.

16 – Paper, cardboard and goods made from these materials (paper, cardboard) not included in other classes, namely, cardboard articles, sacks, bags, envelopes, pouches for paper packaging, cardboard tubes; printing products (printed matter); books, magazines, journals, posters, albums, forms, bookbinding material; photographs; stationery; adhesives for stationery or household purposes; artists' materials; paintbrushes; typewriters and office requisites (except furniture); instructional or teaching material (except apparatus); plastic materials for packaging (not included in other classes), namely bags, sachets, films and sheets; printing type; printing blocks.

41 – Education; training; entertainment; academies (education); sporting and cultural activities; editing of teaching and training work and manuals; organization and conducting of colloquiums, conferences, congresses, symposiums, seminars; organization of competitions (education or entertainment); organization and conducting of training workshops; correspondence courses; teaching and training by electronic means, by telephone and global communication networks such as the Internet; remote teaching; correspondence courses; educational tests; vocational guidance (education or training advice); information regarding education; practical training (demonstration); publication of books; publication of texts (other than advertising texts); editing of electronic (non-downloadable) publications online; electronic publication of books and journals online; electronic desktop publishing; publication of texts other than advertising texts; game services provided online from a computer network; club services (entertainment or education); boarding schools; book lending.

(260) AM 2022 113057 A

(800) 1591807

(151) 2020 12 08

(891) 2020 12 08

(731) Baltika Breweries

6-th Verkhny pereulok, 3, RU-194292 Saint

Petersburg, Russian Federation

(540)

КедрWOOD

(591) Black, white

(531) 27.05.01; 28.05

(511)

32 – Non-alcoholic beverages; beer; de-alcoholized beer; ginger beer; malt beer; beer wort; malt wort; extracts of hops for making beer; beer-based beverages; non-alcoholic preparations for making beverages.

33 – Alcoholic beverages, except beer.

(260) AM 2022 113059 A

(800) 1591822

(151) 2021 02 15

(891) 2021 02 15

(731) Japan Tobacco Inc.

1-1, Toranomom 4-chome, Minato-ku, Tokyo,
Japan

(540)



(591) Black, white

(531) 03.07.01; 03.07.16; 25.12.03; 26.04.03; 27.05.24

(511)

34 – Tobacco, raw or manufactured; smoking tobacco, pipe tobacco, rolling tobacco, chewing tobacco, snus; cigarettes, electronic cigarettes, cigars, cigarillos; snuff; smokers' articles included in class 34; cigarette paper, cigarette tubes and matches.

(260) AM 2022 113060 A

(800) 1591872

(151) 2021 01 19

(891) 2021 01 19

(731) NOMAD ONE MEDİKAL LİMİTED ŞİRKETİ
ATAKÖY 7-8-9-10, KISIM MAHALLESİ,
ÇOBANÇEŞME E-5 YAN YOL CADDESİ,
NO:6 İÇ KAPI NO:80, BAKIRKÖY,
İSTANBUL, Turkey

(540)

Salutem Premium

(591) Black, white

(531) 27.05.01

(511)

5 – preparations for destroying vermin, fungicides, herbicides.

35 – Bringing together, for benefit of others, preparations for destroying vermin, fungicides, herbicide, enabling customers to conveniently view and purchase those goods.

(260) AM 2022 113074 A

(800) 1592231

(151) 2021 03 30

(891) 2021 03 30

(731) "ORIMI" Limited Liability Company
Sverdlov settlement, 1-st Mikrorayon Street,
15/4 plot, Vsevolozhsk district, RU-188682
Leningrad oblast, Russian Federation

(540)



(591) White, black, red, burgundy, brown, dark brown

(531) 25.12.03; 26.04.05; 26.04.10; 26.04.18; 28.05; 29.01.14

(511)

30 – Tea, including instant tea; flavored tea; tea with fruit, herbs, flowers and berry additives not for medical use; tea-based beverages; iced tea.

(260) AM 2022 113076 A

(800) 1592275

(151) 2021 02 11

(891) 2021 02 11

(731) Frich Grigory Dmitrievich
ul. Botanicheskaya, d. 19, kv. 58, RU-620137
Yekaterinburg, Russian Federation

(540)



(591) Blue, white and burgundy.

(531) 26.01.18; 28.05; 29.01.13

(511)

37 – Demolition of buildings; construction.

40 – Waste treatment [transformation].

(260) AM 2022 113077 A
 (800) 1592285
 (151) 2021 01 07
 (891) 2021 01 07
 (731) Bundesrepublik Deutschland
 (Bundeskriminalamt)
 Thaerstraße 11, 65193 Wiesbaden, Germany
 (540)



SECURIUS
INTERNATIONAL

(540) (591) Blue, white, turquoise and black
 (531) 17.02.01; 17.02.02; 27.05.10; 27.05.11;
 29.01.14
 (511)
 8 – Daggers, side arms, others than firearms.
 13 – Pistols (arms); guns (weapons).
 14 – Jewellery, precious stones, clocks, horological
 instruments.
 15 – Musical instruments.
 16 – Printed matter, books.
 20 – Furniture, furniture fittings, not of metal.
 42 – Updating of computer software; providing search
 engines for the internet; consultancy in the design and
 development of computer hardware; development of
 computer platforms; web site design consultancy; com-
 puter software consultancy; installation of computer
 software; providing information relating to computer
 technology and programming via a web site.
 45 – Legal services.

(260) AM 2022 113079 A
 (800) 1592449
 (151) 2021 03 11
 (891) 2021 03 11
 (731) Beiersdorf AG
 Unnastr. 48, 20253 Hamburg, Germany
 (540)



LIFE-CHANGING POWER OF
 DERMATOLOGICAL SKINCARE

(591) Dark blue and red

(531) 26.03.01; 26.03.05; 27.05.10; 29.01.12
 (511)
 3 – Cosmetic preparations for body and beauty care;
 dermatological skin care preparations (other than me-
 dicated).
 5 – Medical preparations for body and beauty care.

(260) AM 2022 113087 A
 (800) 1592739
 (151) 2021 04 03
 (891) 2021 04 03
 (731) Joh. Wilh. von Eicken GmbH
 Drechslerstrasse 1-3, 23556 Lübeck, Germany
 (540)

VANITY FAIR

(591) Black, white
 (511)
 34 – Cigarettes, cigars, cigarillos and other manufac-
 tured smoking articles; smoking tobacco; natural toba-
 cco; snus; non-tobacco snus; tobacco and tobacco
 products, including tobacco substitutes; cigarette fil-
 ters; cigarette paper; cigarette paper tubes with filters;
 snuff; non-tobacco snuff; chewing tobacco; cigarette
 tubes.

(260) AM 2022 113088 A
 (800) 1592741
 (151) 2020 12 30
 (891) 2020 12 30
 (731) Otkrytoe aktsionernoe obshchestvo
 "Smolevichi Broylar"
 p. Oktyabrskiy, Smolevichskiy r-n, 222220
 Minskaya obl., Belarus
 (540)



(591) Black and red
 (531) 03.07.03; 24.17.09; 24.17.25; 28.05; 29.01.13
 (511)
 29 – Poultry and foods made therefrom; poultry, pre-
 served, dried, smoked, chilled, frozen, cooked poul-
 try; poultry-based foodstuffs; pre-cooked foods made
 from poultry; prepared entrées consisting primarily of
 poultry; frozen meals consisting primarily of poultry;
 packaged meals consisting primarily of poultry; appe-
 tizers consisting primarily of poultry; frozen appeti-
 zers consisting primarily of chicken; chicken nuggets;
 poultry sticks.

(260) AM 2022 113152 A

(800) 1592918

(151) 2021 03 04

(891) 2021 03 04

(731) Obschestvo s ogranichennoy otvetstvennost'yu
"NL Kontinent"

ul. Yadrintsevskaya, d. 53/1, of. 1015,
Novosibirsk, RU-630099 Novosibirskaya
oblast', Russian Federation

(540)

BALANCE STONES

(591) Black, white

(511)

1 – Agar-agar for industrial purposes; alginates for the food industry; disincrustants; antioxidants for use in the manufacture of cosmetics; antioxidants for use in the manufacture of food supplements; antioxidants for use in the manufacture of pharmaceuticals; oenological bactericides [chemical preparations for use in wine making]; barium; barytes; albumin [animal or vegetable, raw material]; animal albumen [raw material]; iodised albumen; malt albumen; flower preservatives; seed preserving substances; substances for preventing runs in stockings; water-softening preparations; limestone hardening substances; artificial sweeteners [chemical preparations]; vitamins for the food industry; vitamins for use in the manufacture of cosmetics; vitamins for use in the manufacture of food supplements; vitamins for use in the manufacture of pharmaceuticals; witherite; distilled water; seaweeds [fertilizers]; propellant gases for aerosols; glucose for the food industry; glucose for industrial purposes; glucosides; gluten for the food industry; gluten for industrial purposes; holmium; hormones for hastening the ripening of fruit; peat pots for horticulture; graphene; guano; humus; dendrimer-based polymers for use in the manufacture of capsules for pharmaceuticals; carbonates; catalysts; biochemical catalysts; acids; benzene-based acids; fatty acids; mineral acids; adhesives for billposting; leather glues; adhesives for wall tiles; adhesives for wallpaper; glue for industrial purposes; cement for mending broken articles; gums [adhesives] for industrial purposes; birdlime; gluten [glue], other than for stationery or household purposes; isinglass, other than for stationery, household or alimentary purposes; starch paste [adhesive], other than for stationery or household purposes; collagen for industrial purposes; preservatives for use in the pharmaceutical industry; mangrove bark for industrial purposes; starch for industrial purposes; xylol; biological tissue cultures, other than for medical or veterinary purposes; cultures of microorganisms, other than for medical and veterinary use; lactose [raw material]; lactose for the food industry; lactose for industrial purposes; lecithin [raw material]; lecithin for the food industry; lecithin for industrial purposes; oils for the preservation of food; ceramic materials in particulate form, for use as filtering media; filtering materials of unprocessed plastics; filtering materials of mineral substances; filtering

materials of vegetable substances; filtering materials of chemical substances; pectin for the food industry; pectin for industrial purposes; humus top dressing; soil for growing; bacterial preparations, other than for medical and veterinary use; bacteriological preparations for acetification; bacteriological preparations, other than for medical and veterinary use; biological preparations, other than for medical or veterinary purposes; diagnostic preparations, other than for medical or veterinary purposes; plant growth regulating preparations; wallpaper removing preparations; descaling preparations, other than for household purposes; fertilizing preparations; preparations of microorganisms, other than for medical and veterinary use; preparations for stimulating cooking for industrial purposes; anti-incrustants; preparations of trace elements for plants; moistening [wetting] preparations for use in dyeing; moistening [wetting] preparations for use in bleaching; moistening [wetting] preparations for use in the textile industry; enzyme preparations for the food industry; enzyme preparations for industrial purposes; filtering preparations for the beverages industry; chemical preparations for smoking meat; protein [raw material]; proteins for the food industry; proteins for use in the manufacture of food supplements; proteins for use in manufacture; solvents for varnishes; amyl alcohol; vinic alcohol; wood alcohol; sal ammoniac spirits; alcohol; ethyl alcohol; adjuvants, other than for medical or veterinary purposes; cement for footwear; substrates for soil-free growing [agriculture]; tannin; cream of tartar for the food industry; cream of tartar for industrial purposes; cream of tartar for chemical purposes; carbonic hydrates; carbon; activated carbon; carbon for filters; animal charcoal; animal carbon; bone charcoal; blood charcoal; fertilizers; nitrogenous fertilizers; fish meal fertilizers; wood vinegar [pyroligneous acid]; enzymes for the food industry; enzymes for industrial purposes; ferments for chemical purposes; milk ferments for the food industry; milk ferments for industrial purposes; milk ferments for chemical purposes; flavonoids [phenolic compounds] for industrial purposes; leather-renovating chemicals; water-purifying chemicals; stain-preventing chemicals for use on fabrics; leather-waterproofing chemicals; textile-waterproofing chemicals; chemicals, except pigments, for the manufacture of enamel; leather-impregnating chemicals; textile-impregnating chemicals; horticultural chemicals, except fungicides, herbicides, insecticides and parasiticides; agricultural chemicals, except fungicides, herbicides, insecticides and parasiticides; soil conditioning preparations; chimney cleaners, chemical; industrial chemicals; color-brightening chemicals for industrial purposes; refrigerants; coolants for vehicle engines; chlorine; chlorates; hydrochlorates; zeolites for industrial purposes; cellulose; cerium; tea extracts for the food industry; tea extracts for use in the manufacture of cosmetics; tea extracts for use in the manufacture of pharmaceuticals; radioactive elements for scientific

purposes; rare earths; fissionable chemical elements; emulsifiers; ethers; esters; cellulose ethers for industrial purposes; cellulose esters for industrial purposes; ethyl ether.

11 – Lampshades; steam accumulators; heat accumulators; defrosters for vehicles; disinfectant apparatus for medical purposes; distillation apparatus; desiccating apparatus; hydromassage bath apparatus; disinfectant apparatus; air deodorizing apparatus; tanning apparatus [sun beds]; ionization apparatus for the treatment of air or water; coffee roasters; beverage cooling apparatus; hand drying apparatus for washrooms; fruit roasters; water purifying apparatus and machines; refrigerating apparatus and machines; drying apparatus and installations; freezers; heating and cooling apparatus for dispensing hot and cold beverages; drying apparatus; coolers for furnaces; expansion tanks for central heating installations; flushing tanks; refining towers for distillation; bidets; boilers, other than parts of machines; bath tubs; spa baths [vessels]; bath tubs for sitz baths; waffle irons, electric; fans [air-conditioning]; fans [parts of air-conditioning installations]; electric fans for personal use; roasting spits; refrigerating display cabinets; heated display cabinets; water heaters; water flushing installations; air reheaters; extractor hoods for kitchens; gas condensers, other than parts of machines; acetylene generators; microbubble generators for baths; hydrants; fairy lights for festive decoration; burners; acetylene burners; gas burners; burners for lamps; germicidal burners; incandescent burners; oxyhydrogen burners; laboratory burners; oil burners; alcohol burners; hot water bottles; footwarmers, electric or non-electric; bed warmers; USB-powered hand warmers; pocket warmers; warming pans; grills [cooking appliances]; food dehydrators, electric; lampshade holders; stills; showers; refrigerating containers; lighters; gas lighters; friction lighters for igniting gas; chimney blowers; coils [parts of distilling, heating or cooling installations]; furnace ash boxes; evaporators; electric appliances for making yogurt; shower enclosures; Turkish bath cabinets, portable; heating apparatus; cool boxes, electric; refrigerating chambers; fireplaces, domestic; chimney flues; structural framework for ovens; air valves for steam heating installations; level controlling valves in tanks; thermostatic valves [parts of heating installations]; electrically heated carpets; light bulbs; light bulbs, electric; solar thermal collectors [heating]; distillation columns; furnace grates; ventilation hoods; ventilation hoods for laboratories; lamp globes; air-conditioning apparatus; air conditioners for vehicles; gas boilers; laundry room boilers; heating boilers; coffee machines, electric; taps; mixer faucets for water pipes; faucets for pipes and pipelines; forges, portable; lava rocks for use in barbecue grills; couscous cookers, electric; electric lights for Christmas trees; acetylene flares; safety lamps; gas lamps; curling lamps; nail lamps; curing lamps, not for medical purposes; germicidal lamps for purifying air; light bulbs for direction-

nal signals for vehicles; arc lamps; laboratory lamps; oil lamps; ultraviolet ray lamps, not for medical purposes; miners' lamps; electric lamps; chandeliers; barbecues; bread baking machines; watering machines for agricultural purposes; ice-cream making machines; pounded rice cake making machines, electric, for household purposes; multicookers; footmuffs, electrically heated; heaters for baths; heaters for heating irons; immersion heaters; brackets for gas burners; anti-splash tap nozzles; heat pumps; filaments for electric lamps; magnesium filaments for lighting; heating filaments, electric; luminous house numbers; socks, electrically heated; heating apparatus for defrosting vehicle windows; hot air bath fittings; bath fittings; loading apparatus for furnaces; kiln furniture [supports]; sauna bath installations; refrigerating appliances and installations; directional lights for bicycles; electrically heated clothing; blankets, electric, not for medical purposes; fabric steamers; lamp reflectors; vehicle reflectors; hearths; electric cooktops; food steamers, electric; steam boilers, other than parts of machines; pasteurisers; lamp mantles; sockets for electric lights; coffee percolators, electric; furnaces, other than for laboratory use; stoves [heating apparatus]; bakers' ovens; hot air ovens; kitchen ranges [ovens]; microwave ovens [cooking apparatus]; microwave ovens for industrial purposes; incinerators; kilns; solar furnaces; dental ovens; urinals being sanitary fixtures; feeding apparatus for heating boilers; heating plates; cookers; hot plates; wine cellars, electric; heaters, electric, for feeding bottles; aquarium heaters; USB-powered cup heaters; aquarium lights; heating cushions, electric, not for medical purposes; clean chambers [sanitary installations]; tortilla presses, electric; water intake apparatus; deodorizing apparatus, not for personal use; apparatus for dehydrating food waste; fumigation apparatus, not for medical purposes; gas scrubbing apparatus; oil-scrubbing apparatus; glue-heating appliances; forage drying apparatus; water filtering apparatus; air purifying apparatus and machines; ice machines and apparatus; cooling appliances and installations; cooking apparatus and installations; lighting apparatus and installations; sanitary apparatus and installations; cooking rings; lighting apparatus for vehicles; light-emitting diodes [LED] lighting apparatus; heating apparatus for solid, liquid or gaseous fuels; hot air apparatus; heating apparatus, electric; steam facial apparatus [saunas]; safety accessories for water or gas apparatus and pipes; regulating and safety accessories for gas apparatus; regulating accessories for water or gas apparatus and pipes; regulating and safety accessories for water apparatus; regulating and safety accessories for gas pipes; roasting jacks; plate warmers; anti-glare devices for vehicles [lamp fittings]; rotisseries; radiator caps; searchlights; diving lights; washers for water faucets; heat guns; radiators [heating]; central heating radiators; radiators, electric; sinks; disinfectant dispensers for toilets; drip irrigation emitters [irrigation fittings];

light diffusers; nuclear reactors; heat regenerators; pressure water tanks; roasters; lamps; standard lamps; ceiling lights; toilet seats; hydroponic growing systems; lighting installations for air vehicles; pressure cookers, electric; gas scrubbers [parts of gas installations]; lamp glasses; sterilizers; water sterilizers; air sterilizers; air dryers; laundry dryers, electric; hair dryers; malt roasters; tobacco roasters; tajines, electric; heat exchangers, other than parts of machines; thermo-pots, electric; bread toasters; discharge tubes, electric, for lighting; lamp chimneys; luminous tubes for lighting; pipes [parts of sanitary installations]; flues for heating boilers; boiler pipes [tubes] for heating installations; toilets [water-closets]; toilets, portable; humidifiers for central heating radiators; wash-hand basins [parts of sanitary installations]; toilet bowls; water conduits installations; bath installations; air-conditioning installations; desalination plants; installations for processing nuclear fuel and nuclear moderating material; watering installations, automatic; cooling installations for water; cooling installations for liquids; milk cooling installations; cooling installations for tobacco; water purification installations; purification installations for sewage; steam generating installations; water distribution installations; air filtering installations; swimming pool chlorinating apparatus; ventilation [air-conditioning] installations and apparatus; ventilation [air-conditioning] installations for vehicles; water softening apparatus and installations; cooling installations and machines; heating installations; hot water heating installations; heaters for vehicles; polymerisation installations; water supply installations; flare stacks for use in the oil industry; ash conveyor installations, automatic; whirlpool-jet apparatus; air cooling apparatus; aquarium filtration apparatus; cooking utensils, electric; flaming torches; headlights for automobiles; vehicle headlights; filters for air conditioning; filters for drinking water; wicks adapted for oil stoves; lights for automobiles; bicycle lights; motorcycle lights; lights for vehicles; electric torches; Chinese lanterns; head torches; lanterns for lighting; candle lanterns; street lamps; fountains; ornamental fountains; chocolate fountains, electric; air fryers; deep fryers, electric; fittings, shaped, for ovens; oven fittings made of fireclay; bread-making machines; refrigerators; refrigerators, cooling apparatus and freezers for medical storage purposes; chromatography apparatus for industrial purposes; kettles, electric; dampers [heating]; book sterilization apparatus; refrigerating cabinets; carbon for arc lamps; heating elements.

21 – Wine aerators; buckets; cookie jars; candle jars [holders]; saucers; mugs; boxes for sweets; bottles; demijohns; vases; epergnes; fruit bowls; buckets made of woven fabrics; towel rails and rings; clothing stretchers; hair for brushes; horsehair for brush-making; birdcages; funnels; carpet beaters [hand instruments]; signboards of porcelain or glass; candle extinguishers; heads for electric toothbrushes; flower pots; chamber

pots; glue-pots; cruets; decanters; large-toothed combs for the hair; combs for animals; tea cosies; abrasive sponges for scrubbing the skin; make-up sponges; sponges for household purposes; toilet sponges; sponge holders; stands for portable baby baths; toothpick holders; soap holders; table napkin holders; holders for flowers and plants [flower arranging]; tea bag rests; shaving brush stands; toilet paper holders; soap dispensers; toilet paper dispensers; plug-in diffusers for mosquito repellents; aromatic oil diffusers, other than reed diffusers, electric and non-electric; ironing boards; cutting boards for the kitchen; bread boards; washing boards; crushers for kitchen use, non-electric; strainers for household purposes; smoke absorbers for household purposes; containers for household or kitchen use; kitchen containers; glass jars [carboys]; heat-insulated containers; heat-insulated containers for beverages; thermally insulated containers for food; glass flasks [containers]; closures for pot lids; chamois leather for cleaning; toothpicks; ceramics for household purposes; majolica; works of art of porcelain, ceramic, earthenware, terra-cotta or glass; kitchen grinders, non-electric; cleaning instruments, hand-operated; cabarets [trays]; stew-pans; couscous cooking pots, non-electric; covers, not of paper, for flower pots; shaving brushes; make-up brushes; basting brushes; cages for household pets; baking mats; ladles for serving wine; polishing leather; hot pots, not electrically heated; glass bulbs [receptacles]; shoe trees; napkin rings; poultry rings; rings for birds; coin banks; piggy banks; bread baskets for household purposes; baskets for household purposes; waste paper baskets; feeding troughs; mangers for animals; lunch boxes; tea caddies; washtubs; earthenware saucepans; mess-tins; cauldrons; coffee percolators, non-electric; coffeepots, non-electric; coffee grinders, hand-operated; fused silica [semi-worked product], other than for building; beer mugs; tankards; pot lids; aquarium hoods; butter-dish covers; dish covers; cheese-dish covers; reusable silicone food covers; buttonhooks; reusable ice cubes; pitchers; perfume burners; watering cans; fly traps; insect traps; ice cream scoops; mixing spoons [kitchen utensils]; basting spoons [cooking utensils]; pie servers; cosmetic spatulas; spatulas for kitchen use; litter boxes for pets; butter dishes; material for brush-making; polishing materials for making shiny, except preparations, paper and stone; tablemats, not of paper or textile; noodle machines, hand-operated; lint removers, electric or non-electric; pasta makers, hand-operated; polishing apparatus and machines, for household purposes, non-electric; pepper mills, hand-operated; mills for household purposes, hand-operated; feather-dusters; brooms; isothermic bags; confectioners' decorating bags [pastry bags]; bowls [basins]; mosaics of glass, not for building; saucepan scourers of metal; soap boxes; mouse traps; cooking pot sets; nozzles for watering cans; pouring spouts; cake decorating tips and tubes; nozzles for watering hose; fitted picnic baskets, including dishes;

toilet cases; floss for dental purposes; fiberglass thread, other than for textile use; cookie [biscuit] cutters; pastry cutters; sprinklers; syringes for watering flowers and plants; egg yolk separators; cotton waste for cleaning; wool waste for cleaning; cleaning tow; cold packs for chilling food and beverages; chopsticks; cocktail stirrers; food steamers, non-electric; pepper pots; oven mitts; animal grooming gloves; gloves for household purposes; car washing mitts; polishing gloves; gardening gloves; pestles for kitchen use; droppers for household purposes; wine-tasting pipettes; droppers for cosmetic purposes; plates to prevent milk boiling over; plates for diffusing aromatic oil; dripping pans; trays for household purposes; trays of paper, for household purposes; lazy susans; heaters for feeding bottles, non-electric; candelabra [candlesticks]; trivets [table utensils]; coasters, not of paper or textile; grill supports; menu card holders; knife rests for the table; flat-iron stands; egg cups; abrasive pads for kitchen purposes; scouring pads; drinking troughs; serving ladles; powdered glass for decoration; pottery; pots; cooking pots; painted glassware; tableware, other than knives, forks and spoons; porcelain ware; earthenware; crystal [glassware]; cosmetic utensils; toilet utensils; trouser presses; tortilla presses, non-electric [kitchen utensils]; deodorizing apparatus for personal use; cruet sets for oil and vinegar; make-up removing appliances; spice sets; apparatus for wax-polishing, non-electric; bottle openers, electric and non-electric; glove stretchers; boot jacks; crumb trays; tie presses; potholders; clothes-pegs; glass stoppers; powder compacts, empty; perfume vaporizers; powder puffs; dusting apparatus, non-electric; foam toe separators for use in pedicures; combs; electric combs; grills [cooking utensils]; sifters [household utensils]; drinking horns; shoe horns; candle drip rings; broom handles; salad bowls; place mats, not of paper or textile; sugar bowls; beaters, non-electric; egg separators, non-electric, for household purposes; services [dishes]; coffee services [tableware]; liqueur sets; tea services [tableware]; cooking mesh bags, other than for microwaves; sieves [household utensils]; cinder sifters [household utensils]; tea strainers; siphon bottles for carbonated water; rolling pins, domestic; frying pans; squeegees [cleaning instruments]; steel wool for cleaning; currycombs; blenders, non-electric, for household purposes; scoops for household purposes; fruit presses, non-electric, for household purposes; drinking straws; salt cellars; drinking vessels; vessels of metal for making ices and iced drinks; refrigerating bottles; bulb basters; cups of paper or plastic; glasses [receptacles]; drinking glasses; statues of porcelain, ceramic, earthenware, terra-cotta or glass; figurines of porcelain, ceramic, earthenware, terra-cotta or glass; glass for vehicle windows [semi-finished product]; glass wool, other than for insulation; fiberglass, other than for insulation or textile use; vitreous silica fibers, other than for textile use; plate glass [raw material]; opal glass; glass, unworked or semi-worked, except

building glass; opaline glass; glass incorporating fine electrical conductors; enamelled glass, not for building; mortars for kitchen use; portable cool boxes, non-electric; soup bowls; drying racks for laundry; rotary washing lines; tajines, non-electric; basins [receptacles]; table plates; disposable table plates; graters for kitchen use; insulating flasks; indoor terrariums [plant cultivation]; indoor terrariums [vivariums]; cloth for washing floors; polishing cloths; cloths for cleaning; dusting cloths [rags]; furniture dusters; aerosol dispensers, not for medical purposes; wax-polishing appliances, non-electric, for shoes; water apparatus for cleaning teeth and gums; electric devices for attracting and killing insects; watering devices; utensils for household purposes; kitchen utensils; cooking utensils, non-electric; coffee filters, non-electric; flasks; hip flasks; drinking bottles for sports; boot trees; molds [kitchen utensils]; egg poachers; cake moulds; ice cube molds; cookery moulds; deep fryers, non-electric; comb cases; bread bins; fly swatters; teapots; kettles, non-electric; cups; garlic presses [kitchen utensils]; ironing board covers, shaped; tea infusers; decorative glass spheres; mops; mop wringers; cocktail shakers; corkscrews, electric and non-electric; animal bristles [brushware]; pig bristles for brush-making; brushes; dishwashing brushes; ski wax brushes; brushes for cleaning tanks and containers; lamp-glass brushes; horse brushes; scrubbing brushes; toothbrushes; toothbrushes, electric; carpet sweepers; shoe brushes; tar-brushes, long handled; toilet brushes; electric brushes, except parts of machines; eyebrow brushes; nail brushes; eyelash brushes; nutcrackers; ice tongs; salad tongs; sugar tongs; decanter tags; nest eggs, artificial; boxes for dispensing paper towels; dustbins; window-boxes; boxes of glass.

31 – Algarovilla for animal consumption; anchovy, live; oranges, fresh; peanuts, fresh; artichokes, fresh; draff; beans, fresh; locust beans, raw; wreaths of natural flowers; grapes, fresh; algae, unprocessed, for human or animal consumption; fruit residue [marc]; dog biscuits; sea-cucumbers, live; peas, fresh; buckwheat, unprocessed; mushroom spawn for propagation; mushrooms, fresh; trees; palm trees; turf, natural; unsawn timber; undressed timber; yeast for animal consumption; Christmas trees; edible chews for animals; menagerie animals; live animals; peanut cake for animals; oil cake; maize cake for cattle; rape cake for cattle; bagasses of cane [raw material]; cereal seeds, unprocessed; grains [cereals]; grains for animal consumption; lime for animal forage; fish spawn; vegetable marrows, fresh; cocoa beans, raw; koi carp, live; potatoes, fresh; chestnuts, fresh; quinoa, unprocessed; arrangements of fresh fruit; copra; raw barks; rough cork; animal foodstuffs; pet food; stall food for animals; bird food; strengthening animal forage; chicory roots; roots for animal consumption; nettles; groats for poultry; maize; edible sesame, unprocessed; shrubs; rose bushes; spiny lobsters, live; lemons, fresh; vine plants; salmon, live; leeks, fresh; onions, fresh; flower

bulbs; olives, fresh; bran mash for animal consumption; shellfish, live; almonds [fruits]; mussels, live; peanut meal for animals; linseed meal for animal consumption; meal for animals; flax meal [fodder]; rice meal for forage; fish meal for animal consumption; straw mulch; beverages for pets; edible insects, live; oats; vegetables, fresh; cucumbers, fresh; lobsters, live; nuts, unprocessed; coconuts; kola nuts; bran; distillery waste for animal consumption; residue in a still after distillation; palms [leaves of the palm tree]; cuttle bone for birds; peppers [plants]; aromatic sand [litter] for pets; citrus fruit, fresh; litter for animals; mash for fattening livestock; unprocessed sweet corn ears [husked or unhusked]; animal fattening preparations; preparations for egg laying poultry; fishing bait, live; by-products of the processing of cereals, for animal consumption; seed germ for botanical purposes; poultry, live; wheat; pollen [raw material]; crayfish, live; crustaceans, live; seedlings; plants; aloe vera plants; plants, dried, for decoration; rhubarb, fresh; rice, unprocessed; rye; wheat germ for animal consumption; fish, live; lettuce, fresh; sardines, live; beet, fresh; herrings, live; seeds for planting; linseed for animal consumption; edible linseed, unprocessed; hay; coconut shell; bred stock; sanded paper [litter] for pets; malt for brewing and distilling; straw [forage]; straw litter; salt for cattle; trunks of trees; wood chips for the manufacture of wood pulp; litter peat; garden herbs, fresh; sugarcane; truffles, fresh; tuna, live; squashes, fresh; oysters, live; fruit, fresh; hazelnuts, fresh; fodder; hops; flowers, natural; flowers, dried, for decoration; chicory, fresh; silkworms; garlic, fresh; lentils, fresh; pine cones; hop cones; spinach, fresh; juniper berries; berries, fresh; eggs for hatching, fertilized; silkworm eggs; barley.

32 – Aperitifs, non-alcoholic; barley wine [beer]; aerated water; lithia water; seltzer water; soda water; waters [beverages]; mineral water [beverages]; table waters; kvass; cocktails, non-alcoholic; beer-based cocktails; lemonades; non-alcoholic beverages; isotonic beverages; non-alcoholic honey-based beverages; rice-based beverages, other than milk substitutes; soya-based beverages, other than milk substitutes; aloe vera drinks, non-alcoholic; whey beverages; protein-enriched sports beverages; soft drinks; non-alcoholic beverages flavored with coffee; non-alcoholic beverages flavored with tea; non-alcoholic fruit juice beverages; energy drinks; fruit nectars, non-alcoholic; orgeat; beer; ginger beer; malt beer; powders for effervescing beverages; sarsaparilla [non-alcoholic beverage]; syrups for lemonade; syrups for beverages; smoothies; vegetable juices [beverages]; fruit juices; tomato juice [beverage]; cider, non-alcoholic; non-alcoholic preparations for making beverages; preparations for making aerated water; must; grape must, unfermented; beer wort; malt wort; pastilles for effervescing beverages; sherbets [beverages]; non-alcoholic fruit extracts; extracts of hops for making beer; non-alcoholic essences for making beverages.

(260) AM 2022 113164 A

(800) 1593551

(151) 2021 04 26

(891) 2021 04 26

(731) Obshchestvo s ogranichennoy otvetstvennostyu "Akademiya adaptivnoy phisicheskoy kulturi ADAPTIKA"
ul. 50 let VLKSM, 69, kv. 113, g. Tyumen,
RU-625026 Tyumenskaya oblast, Russian
Federation

(540)



(591) Turquoise

(531) 26.11.25; 27.03.15; 27.05.10; 29.01.04

(511)

41 – Academies [education]; rental of sports grounds; videotaping; physical education; publication of books; health club services [health and fitness training]; layout services, other than for advertising purposes; microfilming; videotape editing; production of radio and television programmes; screenplay writing; aikido instruction; gymnastic instruction; judo instruction; correspondence courses; practical training [demonstration]; organization of exhibitions for cultural or educational purposes; providing recreation facilities; arranging and conducting of colloquiums; arranging and conducting of congresses; arranging and conducting of conferences; arranging and conducting of concerts; arranging and conducting of workshops [training]; arranging and conducting of in-person educational forums; arranging and conducting of seminars; arranging and conducting of symposiums; organization of competitions [education or entertainment]; organization of lotteries; organization of sports competitions; vocational guidance [education or training advice]; amusement park services; sign language interpretation; know-how transfer [training]; television entertainment; vocational retraining; providing online videos, not downloadable; providing television programs, not downloadable, via video-on-demand services; providing films, not downloadable, via video-on-demand services; providing sports facilities; providing amusement arcade services; providing online electronic publications, not downloadable; conducting fitness classes; educational examination; rental of audio equipment; rental of videotapes; rental of sound recordings; toy rental; rental of motion pictures; games equipment rental; rental of stadium facilities; rental of skin diving equipment; rental of sports equipment, except vehicles; electronic desktop publishing; online publication of electronic books and journals; publication of texts, other than publicity texts; entertainer services; entertainment services; film directing, other than advertising films; party planning [entertainment];

subtitling; tutoring; holiday camp services [entertainment]; video editing services for events; conducting guided tours; sound engineering services for events; game services provided online from a computer network; personal trainer services [fitness training]; calligraphy services; karaoke services; club services [entertainment or education]; teaching; educational services provided by special needs assistants; educational services provided by schools; translation; scriptwriting, other than for advertising purposes; ticket agency services [entertainment]; coaching [training]; sport camp services; nursery schools; photography; photographic reporting; timing of sports events; boarding school education.

44 – Medical advice for individuals with disabilities; pharmacy advice; animal-assisted therapy; chiropractic; massage; medical equipment rental; rehabilitation for substance abuse patients; sanatorium services; tattooing; health spa services; aquaculture services; aromatherapy services; rest home services; alternative medicine services; speech therapy; services of a psychologist; sauna services; solarium services; telemedicine services; therapy services; nursing, medical; health center services.

(260) AM 2022 113165 A

(800) 1593622

(151) 2021 03 04

(891) 2021 03 04

(731) SYNGENTA PARTICIPATIONS AG

Rosentalstrasse 67, CH-4058 Basel, Switzerland

(540)



(591) Black, white

(531) 05.03.13; 05.05.20; 05.05.21; 27.05.01

(511)

1 – Soil fertilizers.

(260) AM 2022 113166 A

(800) 1593757

(151) 2020 09 14

(891) 2020 09 14

(731) KENT DAYANIKLI TÜKETİM MALLARI SAN. TİC. LTD. ŞTİ.

VELİMEŞE ORG. SAN. BÖLG. MH. 251.,

SK. NO:14/1, ERGENE/TEKİRDAĞ, Turkey

(540)



(591) Black, white

(531) 27.05.01

(511)

7 – Kitchen power tools for chopping, grinding, crushing, whisking and grinding; washing machines (including washing / dishwashers, non-heated centrifugal tumble dryers); electric machines, vacuum cleaners and parts thereof for floor, carpet or upholstery cleaning.

11 – Refrigerators and freezers; electric and gas-powered appliances, machines and devices used in cooking, drying and boiling (including electric clothes dryers, hair dryers and hand dryers); water softening devices, water treatment devices, water treatment systems, waste treatment systems; non-medical electrical bottom mats and electric blankets, heating pads, electric or non-electric foot warmers, hot water bags (thermophores); filters and filter-engine combinations for aquariums; industrial cooking, drying and cooling installations; pasteurizing and sterilizing machines.

(260) AM 2022 113167 A

(800) 1593795

(151) 2020 10 26

(891) 2020 10 26

(731) EKPAR YAPI MALZEMELERİ SİHHİ

TESİSAT İNŞAAT TURİZM SANAYİ VE

TİCARET LİMİTED ŞİRKETİ

HALITPASA CAD., NECATİBEY SK. NO:12,

GAZİOSMANPASA, İSTANBUL, Turkey

(540)



(591) Black, white

(531) 27.05.10; 27.05.11

(526) Yapı malz.ltd.şti

(511)

35 – The bringing together, for the benefit of others, of a variety of goods, namely, lighting installations, lights for vehicles and interior-exterior spaces, heating installations using solid, liquid or gas fuels or electricity, central heating boilers, boilers for heating installations, radiators [heating], heat exchangers, not parts of machines, stoves, kitchen stoves, solar thermal collectors [heating], steam, gas and fog generators, steam boilers, other than parts of machines, acetylene generators, oxygen generators, nitrogen generators, installations for air-conditioning and ventilating, electric and gas-powered devices, installations and apparatus for cooking, drying and boiling, cookers, electric cooking pots, electric water heaters, barbecues, electric laundry driers, hair driers, hand drying appa-

ratus, sanitary installations, taps [faucets], shower installations, toilets [water-closets], shower and bathing cubicles, bath tubs, toilet seals, sinks, wash-hand basins [parts of sanitary installations], washers for water taps, water softening apparatus, water purification apparatus, water purification installations, waste water purification installations, electric bed warmers and electric blankets, not for medical use, electric pillow warmers, electric or non-electric footwarmers, hot water bottles, socks, electrically heated, filters for aquariums and aquarium filtration apparatus, industrial type installations for cooking, drying and cooling purposes, pasteurizers and sterilizers, bioreactors for use in the treatment of wastewater, water filtration and purification apparatus, rubber, gutta-percha, gum, asbestos, mica and semi-finished synthetic goods made from these materials in the form of powder, bars, panels and foils, stopping, sealing and insulating materials, insulating paints, insulating fabrics, insulating tape and band, insulation covers for industrial machinery, sealant compounds for joints, gaskets, O-rings for sealing purposes, not for faucets, flexible pipes made from rubber and plastic, hoses made of plastic and rubber, including those used for vehicles, junctions for pipes of plastic and rubber, pipe jackets of plastic and rubber, hoses of textile material, junctions for pipes, not of metal, pipe jackets, not of metal, connecting hose for vehicle radiators, synthetic plastic as semi-finished products in form of foils, plates, rods, profiles, hoses, tubes, blocks, materials for making and coating roads, binding material for road repair, asphalt paving, asphalt, pitch, bitumen, sand, gravel, mosaics, rubble, sandstone, dry aggregates prepared by sand, gravel and similar natural materials, aquarium sand, aquarium gravel, prepared concretes, prepared mortars, prepared plasters, prepared color plasters, natural stones, artificial stones, natural marbles, artificial marbles, interior and exterior surface, residence and floor coatings by natural and artificial stones, floor tiles, pavement stones, border stones, panels made of concrete, pipes made of concrete and connection pieces, panels, walls, beams and columns, roof elements, portable buildings made of concrete, poles made of concrete, fences, concrete poles for electric, communication, etc lines, panels, boards, walls, sections, building elements made of plaster, prefabricated building elements made of plaster, bricks, clay roofing tiles, briquette, and pan tiles, pipes, tubes and connection pieces with asbestos, traffic signs for roads, non-luminous and non-mechanical, not of metal, monuments and statues made of concrete, stone or marble, removable structures and prefabricated building elements, woodwork joinery, wooden doors, windows, door and window frames, slated shutters, Venetian blinds, roll-down shutters, wainscots, wooden sections, cabins, huts made of wooden material, wooden parquets, plywood, fiberboards, semi-treated lumber, wooden pole, plank, wooden beam, beam, removable structures made of plastic or synthetic mate-

rials, prefabricated building elements, plastic joineries, sections, cabins, plastic doors, windows, door and window frames, slated shutters, Venetian blinds, roll-down shutters, pipes and pieces, discharge pipes, gutters, gooseneck pieces, extension pieces made of hard-plastic, for construction purposes, natural or synthetic surface coatings in form of plates or strips, heat-adhesive, glass products for buildings, glasses, double-glasses, glass plates for roofs, glass bricks, glass panels, glass tiles, cardboards and coverings covered with pitch for roofs, prefabricated swimming pools [structures, not of metal], enabling customers to conveniently view and purchase those goods, such services may be provided by retail stores, wholesale outlets, by means of electronic media or through mail order catalogues.

(260) AM 2022 113169 A

(800) 742589

(151) 2000 07 14

(891) 2021 05 10

(731) ENRICO COVERI S.R.L.

Via Alessandro Manzoni, 25, I-20121

MILANO, Italy

(540)

ENRICO COVERI

(591) Black, white

(511)

14 – Precious metals and their alloys and goods made of or coated with these materials not included in other classes; jewelry, precious stones; timepieces and chronometric instruments.

18 – Leather and imitation leather, goods made of these materials not included in other classes; animal skins and hides; trunks and suitcases; umbrellas, parasols and walking sticks; whips and saddlery.

25 – Clothing, footwear, headgear.

(260) AM 2022 113170 A

(800) 970093

(151) 2007 12 17

(891) 2021 04 16

(731) Limited Liability Company "Scientific and production enterprise Rogneda"

Dorozhnaya str., 4B, Staraya Kupavna, the city

of Noginsk, RU-142450 Moscow region,

Russian Federation

(540)

ГИДРОСТОП

(591) Black, white

(531) 28.05

(511)

1 – Aldehydes; acids; adhesives for billposting; auxiliary fluids for use with abrasives; adhesives for wall tiles; adhesives for paperhanging; adhesives for indus-

trial purposes; acrylic resins, unprocessed; artificial resins, unprocessed; balm of gurrjun for making varnish; bases (chemical preparations); bleaching preparations (decolorants) for industrial purposes; casein for industrial purposes; cement for mending broken articles; ceramic glazings; cement for pneumatic tires; corrosive preparations; cement preservatives, except paints and oils; chemical preparations for the manufacture of paints; chemical preparations, except pigments, for the manufacture of enamel; chemical reagents, other than for medical or veterinary purposes; colour-brightening chemicals for industrial purposes; clarification preparations; dressing and finishing preparations for textiles; degreasing preparations for use in manufacturing processes; decolorants for industrial purposes; degumming preparations; epoxy resins, unprocessed; enzymes for industrial purposes; enamel and glass-staining chemicals; filtering materials (chemical preparations); fissionable chemical elements; fire extinguishing compositions; ferments for chemical purposes; gums (adhesives), other than for stationery or household purposes; glass-staining chemicals; hydrates; leather glues; mastic for leather; moistening (wetting) preparations for use in bleaching and in dyeing; mordants for metals; mold-release preparations; oil dispersants; oils for tanning leather; oils for preparing leather in the course of manufacture; opacifiers for enamel or glass; organic-bleaching chemicals; oil-bleaching chemicals; oil-separating chemicals; plasticizers; preservatives for tiles, except paints and oils; preparations for preventing the tarnishing of glass; surface-active chemical agents; synthetic materials for absorbing oil; separating and unsticking (ungluing) preparations; solvents for varnishes; tanning substances; glaziers' putty; oil cement (putty); wallpaper removing preparations.

2 – Anti-rust oils; anti-rust greases; anti-corrosive preparations; anti-tarnishing preparations for metals; badigeon; blacks (colorants or paints); bronze powder; carbonyl (wood preservative); colorants; cobalt oxide (colorant); coatings (paints); dyestuffs; enamels for painting; enamels (varnishes); fireproof paints; fixatives (varnishes); glazes (paints, lacquers); gildings; indigo (colorant); ink for leather; lacquers including bitumen varnish, mastic (natural resin); metals in powder form for painters, decorators, printers and artists; mordants including mordants for leather; oils for the preservation of wood; paints including anti-fouling paints, asbestos paints, bactericidal paints and ceramic paints; primers; protective preparations for metals; shoe dyes; siccatives (drying agents) for paints; silvering powders; silver emulsions (pigments); thickeners for paints; thinners for paints and lacquers; turpentine (thinner for paints); undercoating for vehicle chassis; varnishes; white lead; whitewash; whites (colorants or paints); wood stains; wood mordants.

(260) AM 2022 113171 A

(800) 999636

(151) 2009 03 11

(891) 2021 04 09

(731) ISHIHARA SANGYO KAISHA, LTD.

3-15, Edobori, 1-Chome, Nishi-Ku, Osaka-Shi,
Osaka 550-0002, Japan

(540)

T E P P E K I

(591) Black, white

(531) 27.05.01

(511)

5 – Fungicides; herbicides; insecticides.

(260) AM 2022 113173 A

(800) 1190522

(151) 2013 07 22

(891) 2021 03 31

(731) PAULINE

10 Impasse du Grand Jardin -, ZAC de la
Moinerie, F-35400 SAINT MALO, France

(540)

BRÉAL

(591) Black, white

(511)

14 – Precious metals and alloys thereof other than for dental use; precious stones; jewelry, jewelry items; jewelry of precious metal; imitation jewelry; rings, finger rings (jewelry); charms; brooches (jewelry); necklaces (jewelry); bracelets (jewelry); chains (jewelry); earrings; tie clips; tie pins; timepieces and chronometric instruments; alarm clocks; clocks; watches; watch cases; watch bands; key rings (trinkets or fobs); jewelry cases (not of precious metal); jewel cases (of precious metals); caskets of precious metal, boxes of precious metal; key rings of leather.

18 – Leather and imitation leather, goods made therefrom (leather and imitation leather) and not included in other classes, namely leather or imitation leather goods (excluding cases fitted to the goods they are intended to contain); leather bags (envelopes, pouches) for packaging; cases, purses, trunks; traveling trunks; document cases; briefcases (leather goods); school bags, school satchels; satchels; game bags; suitcases; suitcases [carrying cases]; attaché cases; beach bags; sports bags other than those adapted to the products they are intended to contain; shopping bags; backpacks; handbags; wheeled shopping bags; bags for climbers; bags for campers; travel bags (leather goods); empty travel sets (leather goods); empty toiletry sets; card cases; wallets; purses, not of precious metal; diary holders (leather goods); vehicle document holders (leather goods); key cases; travel articles (bags); clothes covers of leather; garment bags (for traveling purposes); shoe bags for travel; vanity cases, not fitted; clutch bags (leather goods); leathers;

boxes of leather or imitation leather; leather or imitation leather thongs; bands of leather or imitation leather or leather-board; umbrellas, parasols (sun umbrellas); parasols; walking sticks; whips; collars for animals; clothing for animals; leashes; muzzle; animal skins; saddlery.

(260) AM 2022 113177 A

(800) 1357146

(151) 2016 10 06

(891) 2021 04 30

(731) Dell Inc.

One Dell Way, Round Rock TX 78682,
USA

(540)

DELL TECHNOLOGIES

(591) Black, white

(511)

9 – Hardware (computer-); computers; software; computer servers; desktop computers; notebook computers; laptop computers; computer components and parts; computer monitors; computer memory hardware; computer operating software; computer networking hardware; network access server hardware; NAS (network attached storage); operating software; tablet PCs; personal computers; handheld computers; TV monitors; printers; scanners; fax machines; computer docking station; batteries; battery chargers; power adapters; headphones; projectors; speakers; wireless controllers to remotely monitor and control the function and status of other electrical, electronic, and mechanical devices or systems; hard disk drives; CD-ROM drives; digital video disc drives; optical disk drives; computer peripherals; keyboards; computer mouse; communications processors; pulse code modulating processors; modems; tape drives; pc cards; memory cards; smart cards; ethernet cards; memory devices; add-on-cards for computers; memory boards; electronic memory integrated circuit chips; electrical cable; audio cable; communications cables; power cables; electric cables; cable connectors; cable adapters; coaxial cable connectors; electricity connectors; coaxial connectors; power connectors; electrical connectors; electronic connectors; adapter connectors (electric-); wire connectors (electricity); computer operating software; utility software; computer software packages; data storage devices; data storage apparatus; apparatus for data processing; computer software to enable retrieval of data; data processors; communications processors; video processors; sound processors; voice processors; processors (central processing units); data networks; computer networks; data transmission networks; computer memories; electronic memories; disc memories; external memories for cellphones; memories for use with computers; operating software; optical data storage drives; apparatus for data storage; data processing software; computer soft-

ware for processing market information; computer software to enable the provision of information via the internet; computer software to enable the provision of information via communications networks; data protection backup units; computer software; network management software; telecommunications software; network access server operating software; computer software for document management; memory storage devices; storage apparatus for computer data; storage apparatus for computer programs; personal computer application software for managing document control systems; computer software for the collection of positioning data; computer software for analysing market information; software for searching and retrieving information across a computer network; computer software for creating searchable databases of information and data; computer hardware; application software for cloud computing services; computer interface software; computer software for controlling and managing access server applications; computer programs for project management; computer software applications; computer software applications, downloadable; computer networks; network management software; computer components and parts; information technology and audiovisual equipment; data storage media.

37 – Installation, maintenance, and repair of computer hardware; maintenance and repair of data communications networks; maintenance and repair of hardware for data processing apparatus; installation of storage facilities; installation of hardware for computer networks; repair services for electronic business equipment; installation of hardware for computer systems; maintenance and repair of instruments; computer hardware (installation, maintenance and repair of -); installation of hardware for computer networks; upgrading of computer hardware; installation of communications network instruments; maintenance and repair of hardware for computer networks; maintenance and repair of hardware for data communications networks; installation of hardware for data network apparatus; office machines and equipment installation, maintenance and repair; installation of hardware for computer systems; installation of computer hardware for electronic data processing systems; maintenance and repair of computer hardware for telecommunications systems; advisory services relating to the installation of audiovisual equipment; advisory services relating to the installation of communication equipment; advisory services relating to the installation of security and safety equipment; advisory services relating to the maintenance and repair of mechanical and electrical equipment; information (repair -); information services relating to maintenance of security systems; information services relating to installation of security systems; providing information relating to safe maintenance and repair; providing information relating to the repair or maintenance of printing machines; providing information relating to the repair or maintenance of telecommunication machines and apparatus;

providing information relating to the repair or maintenance of office machines and apparatus; consultancy services relating to installation of computers.

42 – Computer design and development services; remote computer backup services; installation of firmware; design, development and implementation of software; installation, repair and maintenance of computer software; consultancy and advice on computer software and in the design and development of computer hardware; consultancy in the field of computer hardware and computer software; consultancy in the design and development of computer hardware; advisory and consultancy services relating to computer hardware; consultancy relating to computer systems; advisory services relating to computer systems design; advisory services relating to computer software design; computer software technical support services; information technology support services; consulting in the field of cloud computing networks and applications; cloud computing; computer hardware and software consulting services; design, development and implementation of software; software development, programming and implementation; implementation of computer programs in networks; design, development and implementation of software; design and development of computer hardware; computer network services; computer software development for others; design, maintenance, rental and updating of computer software; installation, maintenance, repair and servicing of computer software; technical consultancy relating to the installation and maintenance of computer software; troubleshooting of computer hardware and software problems; data migration services; cloud computing services; technical consultancy services relating to information technology; consultancy and information services relating to information technology architecture and infrastructure; design and development of computer software architecture; design and development of computer hardware architecture; hosting platforms on the internet; programming of software for internet platforms; consultancy relating to the design of home pages and internet sites; data recovery services; data encryption and decoding services; encryption, decryption and authentication of information, messages and data; design and development of electronic data security systems; consultancy in the field of computer security; software as a service [SaaS]; providing virtual computer environments through cloud computing; application service provider [asp], namely, hosting computer software applications of others; providing temporary use of non-downloadable software applications accessible via a web site; providing information about the design and development of computer software, systems and networks; software as a service; platform as a service [PaaS]; design and development of computer software; providing virtual computer systems through cloud computing; providing virtual computer environments through cloud computing; development and testing of co-

mputing methods, algorithms and software; testing of computers; testing of computer hardware; testing of computer programs; testing of computer software; testing of computing equipment; testing of electronic data processing systems; computer system monitoring services; monitoring of network systems; monitoring of computer systems by remote access; computer diagnostic services; providing information about the design and development of computer software, systems and networks; advisory and information services relating to computer software; advisory and information services relating to computer peripherals; information services relating to information technology; services for the provision of technological information; design and development of operating software for computer networks and servers; maintenance of computer software used for operating filling apparatus and machines; design and development of software for importing and managing data; computer rental services; issuing of information relating to information technology; analysis of information relating to information technology; hiring out data processing equipment; leasing of computer software; leasing of computer programs; leasing of computer apparatus; computer leasing; leasing computer facilities; leasing of computer equipment; leasing of access to a computer; leasing access time to a computer; data warehousing; electronic data storage; data duplication and conversion services; data coding services; data security services [firewalls]; computer programming for data processing; technical design and planning of telecommunications networks; design and planning services relating to telecommunication equipment; planning, design, development and maintenance of online websites for third parties; technical advice relating to computers; technical advisory services relating to data processing; temporary electronic storage of information and data; systems analysis (computer -); technical data analysis services; development of computer software application solutions; installation and customisation of computer applications software; website development services; programming of operating software for computer networks and servers; infrastructure as a service [IaaS]; design and development of data storage systems; maintenance of computer software relating to computer security and prevention of computer risks; updating of computer software relating to computer security and prevention of computer risks; backup services for computer hard drive data; IT security services in the nature of protection and recovery of computer data; design and development of internet security programs; computer programming services for electronic data security; design and development of electronic data security systems; computer security services for protection against illegal network access; provision of security services for computer networks, computer access and computerised transactions; IT consultancy, advisory and information services.

(260) AM 2022 113180 A
 (800) 1523638
 (151) 2019 11 23
 (891) 2021 05 11
 (731) WindStar Medical GmbH
 Am Joseph 15, 61273 Wehrheim, Germany
 (540)

GreenDoc

(591) Black, white
 (511)
 3 – Soaps; perfumery; essential oils; cosmetics; hair lotions.

5 – Medicated dentifrices; pharmaceutical and sanitary preparations for health care; food supplements for medical use, included in this class; dietetic substances adapted for medical use; diapers for incontinents.

10 – Supportive bandages; acupressure bands; emergency medical instruments, included in this class.

(260) AM 2022 113299 A
 (800) 1594559
 (151) 2021 02 09
 (891) 2021 02 09
 (731) SUBSIDIARY COMPANY
 "CONFECTIONERY CORPORATION
 "ROSHEN"
 prospect Nauky, bud. 1, korpus 1, m. Kyiv
 03039, Ukraine

(540)

MINTEX +

(591) Black, white
 (531) 24.17.05; 27.05.01
 (511)
 30 – Peanut confectionery; cereal bars; high-protein cereal bars; flour confectionery; waffles; cake frosting [icing]; chocolate-coated nuts; mirror icing [mirror glaze]; chewing gum; custard; cereal-based snack food; frozen yogurt [confectionery ices]; caramels [sweets]; confectionery; confectionery for decorating Christmas trees; crackers; liquorice [confectionery]; mints for breath freshening; marzipan; almond paste; almond confectionery; ice cream; dessert mousses [confectionery]; chocolate mousses; peppermint sweets; stick liquorice [confectionery]; lozenges (confectionery); pastilles [confectionery]; pies; biscuits; fondants [confectionery]; pralines; candy decorations for cakes; chocolate decorations for cakes; gingerbread; puddings; cake powder; rice pudding; rice cakes; malt biscuits; sorbets [ices]; chocolate-based spreads; chocolate spreads containing nuts; petit-beurre biscuits; tarts; cakes; tortillas; fruit jellies [confectionery]; halvah; sweets; chocolate.

(260) AM 2022 113300 A
 (800) 1594560
 (151) 2021 02 09
 (891) 2021 02 09
 (731) Dochimie pidpriemstvo "Kondyterska korporatsiia "Roshen"
 prospect Nauky, bud. 1, korpus 1, m. Kyiv
 03039, Ukraine

(540)

FUDGENTA

(591) Black, white
 (531) 27.05.01
 (511)
 30 – Peanut confectionery; cereal bars; high-protein cereal bars; flour confectionery; waffles; biscuits; cake frosting [icing]; chocolate-coated nuts; mirror icing [mirror glaze]; chewing gum; custard; cereal-based snack food; frozen yogurt [confectionery ices]; caramels [sweets]; confectionery; confectionery for decorating Christmas trees; sugar confectionery; crackers; liquorice [confectionery]; mints for breath freshening; marzipan; almond paste; almond confectionery; ice cream; dessert mousses [confectionery]; chocolate mousses; peppermint sweets; stick liquorice [confectionery]; lozenges (confectionery); pastilles [confectionery]; pies; fondants [confectionery]; pralines; candy decorations for cakes; chocolate decorations for cakes; gingerbread; puddings; cake powder; rice pudding; rice cakes; malt biscuits; candies; sorbets [ices]; chocolate-based spreads; chocolate spreads containing nuts; petit-beurre biscuits; tarts; cakes; tortillas; fruit jellies [confectionery]; halvah; sweets; chocolate.

(260) AM 2022 113301 A
 (800) 1594563
 (151) 2021 03 19
 (891) 2021 03 19
 (731) EcoFlow Inc.
 Plant A202, Founder Technology Industrial
 Park, Shiyan Subdistrict, Bao'an District
 Shenzhen, 518000 Guangdong, China

(540)

ECOFLOW

(591) Black, white
 (531) 27.05.01
 (511)
 9 – Batteries for vehicles; battery boxes; accumulators, electric; photovoltaic cells; solar batteries; battery charge devices; rechargeable electric batteries; charging appliances for rechargeable equipment; lithium-ion batteries; solar panels for the production of electricity.

(260) AM 2022 113330 A
 (800) 1352505
 (151) 2017 03 29
 (891) 2021 04 27
 (731) Suntory Holdings Limited
 1-40, Dojimahama 2-chome, Kita-ku, Osaka-shi, Osaka 530-8203, Japan

(540)
SUNTORY WHISKY
 THE FOUNDING HOUSE OF JAPANESE WHISKY
 EST. 1923

(591) Black, white
 (531) 27.05.01; 27.05.10
 (511)
 33 – Whisky.

(260) AM 2022 113442 A
 (800) 1595406
 (151) 2021 02 18
 (891) 2021 02 18
 (731) Crystalex CZ, s.r.o.
 Masarykovo nábřeží 2360, CZ-110 00 Praha 1, Nové Město, Czech Republic

(540)
BOHEMIA SPARKLE

(591) Black, white
 (531) 27.01.04; 27.05.01
 (511)
 21 – Glass products of all kinds within this class, products of utility and smooth and refined art glass.

(260) AM 2022 113465 A
 (800) 1596108
 (151) 2021 04 12
 (891) 2021 04 12
 (731) Wrocławskie Zakłady Zielarskie "Herbapol" SA
 ul. św. Mikołaja 65/68, PL-50-951 Wrocław, Poland

(540)
HEMOROL

(591) Black, white
 (511)
 3 – Cosmetics; cosmetics for people; cosmetics for intimate hygiene in the form of: foams, gels, creams; care cosmetics for people with hemorrhoids in the form of: gels, creams, foams.

(260) AM 2022 113467 A
 (800) 1596142
 (151) 2021 02 25
 (891) 2021 02 25
 (731) Simonian Educational Foundation
 16 Halabyan St., Yerevan, Armenia

(540)

TUMO

(591) Black, white
 (511)
 9 – Apparatus and instruments for recording, transmitting, reproducing or processing sound, images or data; recorded and downloadable media, computer software, blank digital or analogue recording and storage media; computers and computer peripheral devices.

35 – Services of a franchisor, namely, administration of the business affairs of franchises, provision of assistance [business] in the operation of franchises, assistance in product commercialization, within the framework of a franchise contract, assistance in business management within the framework of a franchise contract; business assistance and advisory services relating to the establishment of franchises.

41 – Education; providing of training; entertainment; sporting and cultural activities; publishing.

42 – Scientific and technological services and research and design relating thereto; industrial analysis and industrial research services; design and development of computer hardware and software; computer project management services; data mining; digital watermarking; computer programming; technological services relating to computers, computer network services, data migration services, monitoring of computer systems by remote access, computer hardware development, hosting services and software as a service and rental of software, rental of computer hardware and facilities; IT consultancy, advisory and information services; IT security services in the nature of protection and recovery of computer data, data duplication and conversion services; data coding services; computer analysis and diagnostics; research, development and implementation of computers and systems.

(260) AM 2022 113469 A
 (800) 1596232
 (151) 2020 11 26
 (891) 2020 11 26
 (731) Viaservice B.V.
 Radarweg 29, NL-1043 NX Amsterdam, Netherlands

(540)



TransFollow

(591) Black, white
 (531) 26.05.01; 26.05.18; 26.05.24; 27.05.10
 (511)

9 – Computer network hardware; network management computer software; computer software; computer software in the field of transport, packaging, distribution, delivery and storage of goods; application software; application software in the field of transport, packaging, distribution, delivery and storage of goods; data communications apparatus; mobile data communications apparatus; telecommunication devices and apparatus; electronic apparatus and instruments for processing, recording, storing, transmitting, receiving and printing of data; global positioning systems; electronic navigational and positioning apparatus and instruments; computer terminals for use with navigation systems, route planners and/or digital maps; electronic publications (downloadable).

35 – Business administration; office functions; provision of commercial information; searching, compilation and analysis of data and information into computer databases; database management services; compilation of data files, including the creation and management of data files for websites; consultancy on the aforesaid services, including the aforesaid services provided via the Internet.

36 – Insurance services; financial affairs; financial management; financial services; financial risk management; warranty insurance services; provision of financial guarantees; transport insurance brokerage; insurance services relating to goods in transit; commodity trading [financial services]; trading of financial instruments and commodities; providing information relating to the trading of commodity futures.

38 – Digital transmission of data; digital network telecommunications services; transmission of digital files; wireless transfer of data via digital mobile telephony; information transmission services via digital networks; automatic transfer of digital data using telecommunications channels; online document delivery via a global computer network telecommunications.

39 – Transport, packaging and storage of merchandise; organization of transport services; road transport services; transportation logistics; advisory services relating to the distribution and delivery of goods; inspection of goods prior to transport; transportation information; planning and booking of travel and transport via electronic means; supply chain logistics and reverse logistics services comprising storage, transport and delivery of goods for third parties by plane, railway, ship or truck; advisory services relating to the storage and transportation of goods, freight or cargo; freight forwarding services; providing online information in the field of transport, packaging and storage of goods; collection, transport and delivery of goods; information and advice regarding or in connection with all the aforesaid services.

42 – Consultancy services relating to selection, implementation and use of the computer hardware and software in the field of transport, packaging, distribution, delivery and storage of goods; computer programming; design and development of telecommunications networks; technical design and planning of mobile data communication networks; design, development and implementation of software, and consultancy relating thereto; consultancy services relating to selection, implementation and use of the computer hardware and software relating to mobile and satellite technology; management of computer projects and computer networks, not including maintenance and repair of computer hardware; providing software on a global computer network, in particular software for remotely locating ships, lorries and other vehicles; consultancy services relating to selection, implementation and use of the computer hardware and software relating to the use of the Internet and online services in the field of transport, packaging, distribution, delivery and storage of goods; planning, design, development and maintenance of online websites for third parties; hosting websites; electronic data storage; Inspection of motor vehicles before transport [for roadworthiness].

(260) AM 2022 113470 A
 (800) 564220
 (151) 1991 01 25
 (891) 2021 03 19
 (731) Schomburg GmbH & Co. KG
 Aquafinstr. 2-8, 32760 Detmold, Germany
 (540)

Aquafin

(591) Black, white
 (531) 27.05.01; 27.05.17
 (511)
 1 – Industrial chemicals, namely those for construction purposes; chemical detergents for construction purposes (included in this class).

(260) AM 2022 113480 A
 (800) 1534422
 (151) 2020 04 28
 (891) 2021 05 24
 (731) ALI KARAMATI (Mr.)
 Unit3, No15, Saed Alley, Morvarid Street,
 Saadat Abad, 1998746745 Tehran, Islamic
 Republic of Iran
 (540)

Colex

(591) Black, white

(511)
32 – Fruit juices; fruit beverages; aerated fruit juice; beverages, non-alcoholic.

(260) AM 2022 113482 A
(800) 1590334
(151) 2021 01 29
(891) 2021 05 11
(731) Admirals Group AS
Maakri tn 19/1-11, EE-10145 Tallinn, Estonia
(540)

admirals

(591) Dark blue and light blue
(531) 26.01.03; 27.05.01; 27.05.07; 29.01.04
(511)
35 – Advertising, marketing and promotional services; sales promotion; promotion services; marketing services; marketing by telephone; on-line advertising on a computer network; auctioneering services; rental of advertising space; none of the aforesaid services being related to insurance.

36 – Finance services; financial consultancy; hire-purchase financing; provision of funds for hire purchase and for leasing; bank card, credit card, debit card and electronic payment card services; financial payment services; processing of payment transactions via the internet; mortgage loans and financing services; financing and funding services; financial consulting; agency services for securities; issue of tokens of value; currency trading and exchange services; investment related to insurance; none of the aforesaid services being hedge fund administration services.

(260) AM 2022 113524 A
(800) 1596257
(151) 2020 10 02
(891) 2020 10 02
(731) ASAS ALÜMİNYUM SANAYİ VE TİCARET ANONİM ŞİRKETİ
Rüzgarlıbahçe Asaş İş Mrk., Kavacık-İstanbul, Turkey
(540)



(591) Black, white, red
(531) 26.03.04; 26.13.25; 27.05.17; 29.01.12
(511)
6 – Ores of non-precious metal; common metals and their alloys and semi-finished products made of these materials; goods and materials of common metal used for storage, wrapping, packaging and sheltering purposes, containers of metal (storage, transport), built

things of metal, frames of metal for building, poles of metal for building, metal boxes, packaging containers of metal, aluminum foil, fences made of metal, guard barriers of metal, metal tubes, storage containers of metal, metal containers for the transportation of goods, ladders of metal; wire gauze; doors, windows, shutters, jalousies and their cases and fittings of metal; non-electric cables and wires of metal; ironmongery; pipes, chimney caps, manhole covers, grilles of metal for sewage, telephone and underground electricity; metal panels or boards (non-luminous and non-mechanical) used for signaling, route showing, publicity purposes, signboards of metal, advertisement columns of metal, signaling panels of metal, non-luminous and non-mechanical traffic signs of metal; pipes of metal for transportation of liquids and gas, drilling pipes of metal and their metal fittings, valves of metal, couplings of metal for pipes, elbows of metal for pipes, clips of metal for pipes, connectors of metal for pipes; safes (strong boxes) of metal; metal railway materials, metal rails, metal railway ties, railway switches; bollards of metal, floating docks of metal, mooring buoys of metal, anchors; metal molds for casting, other than machine parts; works of art made of common metals or their alloys; metal closures, bottle caps of metal; metal poles; metal pallets and metal ropes for lifting, loading and transportation purposes; metal hangers, ties, straps, tapes and bands used for load-lifting and load-carrying.

19 – Sand, gravel, crushed stone, asphalt, bitumen, cement, gypsum, plaster, concrete, marble blocks for construction, included in this class; building materials (as finished products) made of concrete, gypsum, clay, potters' clay, stone, marble, wood, plastics and synthetic materials for building, construction, road construction purposes, included in this class; non-metallic buildings, non-metallic building materials, poles not of metal for power lines, barriers not of metal; natural and synthetic coatings in the form of panels and sheets, being building materials; bitumen cardboard coatings for roofing; bitumen coating for roofing; doors and windows of wood and synthetic materials; traffic signs not of metal, non-luminous and non-mechanical, for roads; monuments and statuettes of stone, concrete and marble; building glass; prefabricated swimming pools not of metal (structures); aquarium sand.

(260) AM 2022 113525 A
(800) 1596290
(151) 2021 03 31
(891) 2021 03 31
(731) Kuzyakova Natalya Andreevna
Merenshasheva street, d. 111, RU-440012
Penza, Russian Federation
(540)

ВАНЮШКИНЫ СЛАДОСТИ

(591) Black, white

(531) 28.05

(511)

30 – Confectionery; confectionery with toys; sweets; lozenges [confectionery]; boiled sweets; caramels [sweets]; chocolate; pastries; waffles; marzipan; zefir [confectionery]; biscuits; halvah; gingerbread; iced cakes; fruit cakes; pralines.

(260) AM 2022 113526 A

(800) 1596308

(151) 2021 03 11

(891) 2021 03 11

(731) Sopro Bauchemie GmbH

Biebricher Straße 74, 65203 Wiesbaden,
Germany

(540)

eXternity

(591) Black, white

(511)

1 – Chemicals used in industry; impregnating chemical preparations; adhesives used in industry, in particular made of synthetic resins; chemicals used in industry, being additives for building materials; chemicals used in industry, being additives for screed, concrete and mortar; liquid plastics, unprocessed, included in class 1; preservatives for building materials (except for organic substances); refining agents for concrete, mortar and screed, included in class 1, in particular for preventing the drying out of concrete and mortar, for screeds and finished concrete parts, for enhancing the resistance of cement screeds to impact, wear, frost and chemical stress, for increasing imperviousness against liquids and gases as well as for controlling the working consistency; unprocessed artificial resins; surface-active agents (tensides); damp proofing preparations for brickwork, except paints; horticulture chemicals; antifreeze; chemicals as aid for washing out (removing and cleaning) joint compounds; solvents for paints; solvents for varnishes; solvents for lacquers; silicones.

17 – Rubber, gutta-percha, gum, asbestos, mica; goods made of plastics as semi-finished products; artificial and synthetic resins (semi-finished products); resins (semi-finished products) for fabricating adhesives; cast resins (semi-finished products) mixed with silica sand; sealing materials; packing materials; insulating materials; sealing tapes; sealing collars; rubber gloves for insulating purposes, not for household purposes; joint fillers (sealant compounds for joints); insulating coatings (paints); insulating lacquers; insulating paints; self-adhesive tapes, other than stationery and not for medical or household purposes; insulating coatings; sound proofing; filling material as insulating, damping and sealing materials; bituminous sealing and insulating materials for roofs; fiberglass in-

sulation materials for building purposes; fiberglass fabrics for building insulation.

19 – Building materials (non-metallic), in particular with damping and insulating properties; building materials (non-metallic), namely hydraulic binding agents such as cement, lime, gypsum and as additives for binding and hardening concrete, mortar and stony-type building materials; building materials (non-metallic), namely hydraulic binding agents and mixtures composed thereof containing aggregates, pozzolanic materials (concrete admixtures) and/or chemical substances (concrete admixtures); mortar (building material); plaster (building material); screeds (building material); reinforcing fabrics (nonmetallic) for building purposes; contact sludges (non-metallic) for building purposes; building materials, non-metallic, in the form of filling materials for building purposes for preparing surfaces made of concrete, mortar and other stony-type building materials; silica sand for building purposes; bitumen; bituminous products for building; pipes, not of metal, for building purposes; concrete; concrete building elements; roof coverings, not of metal; bituminous coatings for roofing (except for sealing and insulating purposes); windows, not of metal; felts for building; gravel; sand for building purposes; prefabricated swimming pools (not of metal); prefabricated chimneys, not of metal; floor tiles, not of metal; tile floorings, not of metal; binding material for road repair; road coating materials.

(260) AM 2022 113527 A

(800) 1596336

(151) 2021 04 07

(891) 2021 04 07

(731) UAB "VILNIAUS DEGTINĖ"

Panerių g. 47, Vilnius, Lithuania

(540)



(591) Black, brown, light pink, light grey, light

yellow, light brown, light green, red and grey

(531) 03.05.11; 03.05.28; 06.01.02; 06.03.14;

06.06.01; 26.01.15; 27.01.12; 27.05.02;

29.01.15

(511)

33 – Vodka; grain-based distilled alcoholic beverages; gin; rum; alcoholic extracts; spirits (beverages); alcoholic essences; pre-mixed alcoholic beverages, other than beer-based; sugarcane-based alcoholic beverages; alcoholic beverages, except beer; alcoholic beverages containing fruit; whisky.

(260) AM 2022 113532 A

(800) 1596571

(151) 2021 03 11

(891) 2021 03 11

(731) Philip Morris Brands Sàrl

Quai Jeanrenaud 3, CH-2000 Neuchâtel,
Switzerland

(540)

PURSUE FLAVOR

(591) Black, white

(511)

34 – Tobacco, raw or manufactured; tobacco products; cigars, cigarettes, cigarillos, tobacco for roll-your-own cigarettes, pipe tobacco, chewing tobacco, snuff tobacco, kretek; snus; tobacco substitutes (not for medical purposes); electronic cigarettes; tobacco products for the purpose of being heated; electronic devices and their parts for the purpose of heating cigarettes or tobacco in order to release nicotine-containing aerosol for inhalation; liquid nicotine solutions for use in electronic cigarettes; smokers' articles, cigarette paper, cigarette tubes, cigarette filters, tobacco tins, cigarette cases, ashtrays, pipes, pocket apparatus for rolling cigarettes, lighters, matches.

(260) AM 2022 113533 A

(800) 1596599

(151) 2020 10 22

(891) 2020 10 22

(731) BENELLI Q.J. SRL

Strada Fornace Vecchia s.n., I-61122 Pesaro, Italy

(540)

BENELLI

(591) Black, white

(511)

12 – Vehicles, except water vehicles; vehicles and conveyances, except water vehicles and conveyances; vehicles for locomotion by land, air, or rail; electric vehicles; parts and fittings for vehicles; motorcycles; scooters [vehicles]; mopeds; self-balancing scooters; parts and fittings for land vehicles; bodywork parts for vehicles; dashboards; front forks for motorcycles; brake systems for vehicles; motorcycle saddlebags; shock absorbers for motorcycles; rack trunk bags for motorcycles; fitted motorcycle covers; motors and engines for land vehicles; motors for land vehicles; engines for land vehicles; motors for motorcycles; engines for motorcycles; wheels; tires; warning horns for motorcycles.

35 – Advertising, marketing and promotion services; business assistance, management and administrative services; internet marketing; import and export agency services; preparing and placing of advertisements; public relations; marketing services; foreign trade information and consultation; online ordering services; electronic order processing; sales administration; pro-

urement services, namely, purchasing goods or services for others; purchasing agency services; advisory services relating to the purchase of goods on behalf of others; arranging of buying and selling contracts for third parties; arranging of trading transactions and commercial contracts; arranging subscriptions to internet services; arranging commercial transactions, for others, via online shops; provision of an online marketplace for buyers and sellers of goods and services; arranging of contracts for the purchase and sale of goods and services, for others; procurement of goods on behalf of other businesses; wholesale services in relation to vehicles; retail services in relation to vehicles; retail services in relation to bicycles; retail services in relation to bicycle accessories; retail services in relation to lubricants; online advertising; online marketing; video recordings for marketing purposes (production of -); production of video recordings for marketing purposes; producing promotional videotapes, video discs, and audio visual recordings; sales promotion using audiovisual media; advertising and marketing services provided by means of social media; television advertising; radio and television advertising; organizing and conducting trade shows and exhibitions for commercial or advertising purposes; organization of events, exhibitions, fairs and shows for commercial, promotional and advertising purposes; arranging and conducting trade show exhibitions; arranging and conducting of commercial exhibitions and shows; conducting virtual trade show exhibitions online; business analysis and information services, and market research; commercial administration of the licensing of the goods and services of others; promotion of goods and services through sponsorship; retail services in relation to bags; commercial information services; providing trade information.

(260) AM 2022 113535 A

(800) 1596669

(151) 2021 02 19

(891) 2021 02 19

(731) Open-Type Joint Stock Company "ROT
FRONT"

2-oy Novokuznetskiy pereulok, d. 13/15,
RU-115184 Moscow, Russian Federation

(540)

#КРУТЫЕ СЛАСТИ

(591) Black, white

(531) 28.05

(511)

30 – Confectionery for decorating Christmas trees; coffee flavorings; seasonings; cookies; candies; waffles; cocoa; coffee; cakes; capers; caramels [candies]; chocolate; marzipan; condiments; confectionery; corn flakes; popcorn; ice cream; pancakes; fondants [confectionery]; cake dough; cocoa beverages with milk; coffee beverages with milk; molasses for food; honey;

pies; pastries; petit-beurre biscuits; puddings; pralines; liquorice [confectionery]; sago; sherbets [ices]; tarts; edible ices; almond confectionery; peanut confectionery; oat flakes; chocolate mousses; dessert mousses [confectionery]; pesto.

(260) AM 2022 113551 A
(800) 1597084
(151) 2021 02 19
(891) 2021 02 19
(731) Open-Type Joint Stock Company
"ROT FRONT"
2-oy Novokuznetskiy pereulok, d. 13/15,
RU-115184 Moscow, Russian Federation

(540)



(591) White, green, light green, purple, light purple
(531) 01.15.15; 05.03.11; 05.05.20; 19.03.24;
25.01.19; 25.07.25; 26.11.06; 26.11.07; 28.05;
29.01.13

(511)
30 – Confectionery.

(260) AM 2022 113552 A
(800) 1597095
(151) 2021 02 19
(891) 2021 02 19
(731) Open-Type Joint Stock Company
"ROT FRONT"
2-oy Novokuznetskiy pereulok, d. 13/15,
RU-115184 Moscow, Russian Federation

(540)



(591) Purple, white, green, yellow, black, red
(531) 05.03.07; 05.03.13; 05.03.20; 05.07.21;
19.03.24; 25.01.19; 25.07.25; 26.11.06;
26.11.07; 28.05; 29.01.15

(526) ®

(511)
30 – Confectionery.

(260) AM 2022 113553 A
(800) 1597101
(151) 2021 05 19
(891) 2021 05 19
(731) HANGZHOU DONGHUA CHAIN GROUP
CO., LTD.
No. 1 Changda Road, Yuhang Economic
Development Zone, Hangzhou, 311102
Zhejiang, China

(540)

DONGHUA

(591) Black, white
(531) 27.05.17
(511)
12 – Transmission chains for land vehicles; driving
chains for land vehicles; gearing for land vehicles;
motorcycle chains; automobile chains; bicycle chains;
anti-skid chains.

(260) AM 2022 113554 A
(800) 1597122
(151) 2021 04 01
(891) 2021 04 01
(731) "Unilactis" Limited Liability Partnership
482 Zhansugurov Street, 050014 Zhetysu
district, Almaty city, Kazakhstan

(540)

Pescarelli

(591) Black, white
(531) 27.05.01
(511)
29 – Anchovy, not live; laver, preserved; caviar; fish
roe, processed; fish, tinned; shrimps, not live; prawns,
not live; spiny lobsters, not live; salmon, not live; she-
llfish, not live; mussels, not live; fish meal for human
consumption; fish mousses; fish-based foodstuffs;
crayfish, not live; crustaceans, not live; fish, preser-
ved; fish, not live; salted fish; sardines, not live; her-
rings, not live; tajine [prepared meat, fish or vegetable
dish]; tuna, not live; oysters, not live; falafel; seaweed
extracts for food; snail eggs for consumption; fish fi-
llets.

(260) AM 2022 113555 A
(800) 1597129
(151) 2020 12 04
(891) 2020 12 04
(731) PENOPLEX SPb LTD
Saperniy lane 1, lit. A, RU-191014 St.
Petersburg, Russian Federation

(540)

ПЛАСТФОИЛ

(591) Black, white

(531) 28.05

(511)

17 – Asbestos; insulating paper; plastic fibers, other than for textile use; asbestos fibers; vulcanized fiber; guttapercha; lute; asbestos millboards; synthetic rubber; insulating paints; insulating varnish; insulating tapes; adhesive bands, other than stationery and not for medical or household purposes; asbestos sheets; viscose sheets, other than for wrapping; sheets of regenerated cellulose, other than for wrapping; reinforcing materials, not of metal, for pipes; soundproofing materials; insulating materials; non-conducting materials for retaining heat; plastic substances, semi-processed; insulating plaster; plastic film, other than for wrapping; asbestos coverings; synthetic resins, semi-processed; substances for insulating buildings against moisture; chemical compositions for repairing leaks; glass wool for insulation; fiberglass for insulation; insulating fabrics; waterproof packings; foils of metal for insulating; asbestos slate; slag wool [insulator]; ebonite.

19 – Asphalt; bitumen; binding agents for making briquettes; binding material for road repair; paperboard for building; roofing, not of metal; reinforcing materials, not of metal, for building; bituminous products for building; tar; road coating materials; materials for making and coating roads; building materials, not of metal; pitch; coatings [building materials]; laths, not of metal; wainscoting, not of metal; wall tiles, not of metal; floor tiles, not of metal; tiles, not of metal, for building; paving slabs, not of metal; paving blocks, not of metal; bituminous coatings for roofing; roof coverings, not of metal; linings, not of metal, for building; mortar for building; insulating glass for building; roofing tiles, not of metal; slate; slag [building material]; flashing, not of metal, for building.

(260) AM 2022 113568 A

(800) 936754

(151) 2007 08 01

(891) 2021 04 28

(731) Sustainable Agro Solutions, S.A.

Carretera N-240, Km. 110, E-25100

ALMACELLES (Lérida), Spain

(540)



(591) Black, white

(531) 05.03.13; 05.03.15; 27.05.07

(511)

1 – Chemical and agrochemical products used in agriculture, horticulture, fruit-farming, floriculture, in particular foliar fertilisers, root fertilisers, biostimulants, soil correctors and/or enhanced waters for improving plant health, including those based on organic raw materials.

(260) AM 2022 113569 A

(800) 1059869

(151) 2010 10 18

(891) 2021 03 05

(731) Obshchestvo s ogranichennoi otvetstvennostyu

"Autsorsingovaya gruppa "Aspekt"

Nauchnyj proezd, d.20, stroenie 3, pomezhenie

6, RU-117246 Moscow, Russian Federation

(540)

КонтрСекс Neo

(591) Black, white

(531) 28.05

(511)

5 – Veterinary preparations; amino acids for veterinary purposes; cultures of microorganisms for veterinary use; lotions for animals; medicines for veterinary purposes; bacteriological preparations for veterinary use; bacterial preparations for veterinary use; biological preparations for veterinary purposes; preparations of trace elements for animal use; enzyme preparations for veterinary purposes; chemico-pharmaceutical preparations for veterinary purposes; chemical preparations for veterinary purposes; repellents for animals; greases for veterinary purposes; animals washes; enzymes for veterinary purposes; veterinary means for oppression of sexual excitation at animals.

(260) AM 2022 113744 A

(800) 1600163

(151) 2021 04 28

(891) 2021 04 28

(731) PERFETTI VAN MELLE S.P.A.

Via XXV Aprile, 7, I-20045 Lainate (MI), Italy

(540)

PARTY TIME MIX

(591) Black, white

(511)

30 – Caramels [candies]; chewing gum; pastry; confectionery; cakes; toffee; chocolate; cocoa; coffee; fruit jellies [confectionery]; liquorice [confectionery]; lollipops; mints for breath freshening; wine gums; sugar.

(260) AM 2022 113755 A
 (800) 1216440
 (151) 2014 06 17
 (891) 2021 04 28
 (731) Dochirnie pidpriemstvo "Kondyterska korporatsiia "Roshen"
 prospect Nauky, bud. 1, korpus 1, m. Kyiv
 03039, Ukraine

(540)



(591) Black, white
 (531) 03.01.06; 11.03.01; 19.03.24; 25.07.01
 (511)
 30 – Confectionery; caramels [candy]; sweetmeats [candy].

(260) AM 2022 113756 A
 (800) 1266345
 (151) 2015 07 13
 (891) 2021 04 30
 (731) Booster Oil Holding B.V.
 Proostwetering 25G, NL-3543 AB Utrecht,
 Netherlands

(540)



(591) Black, white
 (531) 03.01.01; 03.01.21; 03.01.24; 26.11.12;
 26.11.21
 (511)
 4 – Industrial oils and greases; lubricants; lubricating oils; motor oil; gear box oil; chain saw oil; pump oil; moped oil; motor spirits; petroleum jelly for industrial use; products for absorbing, wetting and binding dust; fuels (including motor gasoline).

(260) AM 2022 113757 A
 (800) 1366863
 (151) 2017 06 30
 (891) 2021 06 16
 (731) MASTELLI S.R.L.
 Via Bussana Vecchia, 32, I-18038 Sanremo
 (IM), Italy

(540)

TURNOVER

(591) Black, white
 (511)
 3 – Perfumery, essential oils, cosmetics, hair lotions; dentifrices; abrasives; eau de cologne; lavender water; toilet water; scented water; adhesives for cosmetic purposes; balms other than for medical purposes; joss sticks; cotton sticks for cosmetic purposes; cosmetic creams; skin whitening creams; deodorants for personal use; massage gels other than for medical purposes; dental bleaching gels; hair spray; nail polish; almond milk for cosmetic purposes; cleansing milk for toilet purposes; after-shave lotions; lotions for cosmetic purposes; lip glosses; mascara; beauty masks; oils for toilet purposes; oils for perfumes and scents; oils for cosmetic purposes; cotton wool for cosmetic purposes; pomades for cosmetic purposes; sun-tanning preparations [cosmetics]; cosmetic preparations for baths; douching preparations for personal sanitary or deodorant purposes [toiletries]; cosmetic preparations for slimming purposes; cosmetic preparations for skin care; depilatories; perfumery; antiperspirants [toiletries]; make-up preparations; mouth washes, not for medical purposes; nail care preparations; shaving preparations; toiletries; make-up removing preparations; perfumes; lipsticks; bath salts, not for medical purposes; soaps; deodorant soap; shampoos.

5 – Pharmaceutical preparations; sanitary preparations for medical purposes; foods and dietetic substances adapted for medical use; food for babies; food supplements for humans; disinfectants; tanning pills; nutritional supplements; bath preparations, medicated; vaginal washes; balms for medical purposes; dietetic beverages adapted for medical purposes; adhesive plasters; collyrium; cotton for medical purposes; disinfectants for hygiene purposes; balsamic preparations for medical purposes; medicinal mud; mud for baths; milk ferments for pharmaceutical purposes; medicines for dental purposes; medicinal oils; slimming pills; pomades for medical purposes; douching preparations for medical purposes; contact lens cleaning preparations; eye-washes; medical preparations for slimming purposes; therapeutic preparations for the bath; pharmaceutical preparations for skin care; panty liners [sanitary]; remedies for perspiration; solutions for contact lenses; antibiotics, pre-filled syringes for medical purposes; disinfectant soap; medicated soap.

(260) AM 2022 113758 A
 (800) 1409169
 (151) 2018 03 13
 (891) 2021 06 14
 (731) Wok to Walk Franchise B.V.
 Leidsestraat 96, NL-1017 PE Amsterdam,
 Netherlands

(540)



(591) Black and white

(531) 01.15.05; 02.01.11; 02.01.23; 04.05.05;
11.03.18

(511)

43 – Restaurant services; take out restaurant services;
services for providing food and drink.

(260) AM 2022 113759 A

(800) 1457651

(151) 2018 03 13

(891) 2021 06 14

(731) Wok to Walk Franchise B.V.

Leidsestraat 96, NL-1017 PE Amsterdam,
Netherlands

(540)

WOK TO WALK

(591) Orange

(531) 27.05.01; 29.01.01

(511)

43 – Restaurant services; take-out restaurant services;
services for providing food and drink.

(260) AM 2022 113761 A

(800) 1513889

(151) 2019 12 02

(891) 2021 05 21

(731) WR International AG

c/o RA Landtwing, Baarerstrasse 11, CH-6300
Zug, Switzerland

(540)

VERTERA

(591) Black, white

(511)

3 – Non-medicated toiletry preparations and cosmetic
products; non-medicated dentifrices; perfumery pro-
ducts, essential oils; bleaching preparations and other
substances for laundry use; cleaning, polishing, deg-
reasing and abrasive preparations.

5 – Pharmaceutical products, medical and veterinary
preparations; hygienic products for medicine; dietetic
substances and foodstuffs for medical or veterinary
use, food for babies; food supplements for humans
and animals; plasters, materials for dressings; material

for dental fillings and dental impressions; disinfec-
tants; products for destroying vermin; fungicides, her-
bicides.

29 – Meat, fish, poultry and game; meat extracts; pre-
served, frozen, dried and cooked fruits and vegetab-
les; jellies, jams, compotes; eggs; milk, cheese, butter,
yogurt and other dairy products; oils and fats for food.

30 – Coffee, tea, cocoa and coffee substitutes; rice,
pasta and noodles; tapioca and sago; flour and prepa-
rations made from cereals; bread, pastry and confec-
tionery products; chocolate; ice cream, sherbets and
other edible ices; sugar, honey, golden syrup; yeast,
baking powder; salt, seasonings, spices, preserved
herbs; vinegar, sauces and other condiments; ice for
refreshment.

32 – Beers; non-alcoholic beverages; mineral waters
and carbonated water; fruit beverages and fruit juices;
syrups and other preparations without alcohol for ma-
king beverages.

(260) AM 2022 113845 A

(800) 1592931

(151) 2020 11 23

(891) 2021 05 11

(731) Daimler AG

Mercedesstr. 120, 70372 Stuttgart, Germany

(540)

MERCEDES-EQ

(591) Black, white

(511)

35 – Advertising; business management; business ad-
ministration; office functions services; rental of adver-
tising space; commercial information and advice for
consumers [consumer advice shop]; auctioneering ser-
vices; business investigations; business research;
commercial information agency services; presentation
of goods on communication media, for retail purpo-
ses; price comparison services; economic forecasting;
evaluation of business opportunities; conducting of
business appraisals; organization of exhibitions for
commercial or advertising purposes; estimations for
marketing purposes; import-export agency services;
marketing studies; modelling for advertising or sales
promotion; news clipping services; rental of office
machines; opinion polling; organization of trade fairs
for commercial or advertising purposes; procurement
services for others [purchasing goods and services for
other businesses]; personnel selection using psycho-
logical testing; public relations services; publicity ma-
terial rental; rental of advertising time on communi-
cation media; rental of photocopying machines; rental
of vending machines; shop window dressing; sponsor-
ship search; updating and maintenance of data in com-
puter databases; compilation and systemization of in-
formation into computer databases; data search in
computer files for others; loyalty, incentive and bonus

program services; organisation, operation and supervision of loyalty schemes and incentive schemes; promoting the sale of goods and services of others by awarding purchase points for credit card use; promotion of goods and services through sponsorship of sports events.

36 – Insurance underwriting; finance services; monetary affairs; real estate affairs; charitable fund raising; organization of monetary collections; financial consultancy; insurance consultancy; insurance brokerage; deposits of valuables; financial information; financial sponsorship; insurance information; safe deposit services; processing of credit card payments; issuance of credit cards; provision of credit cards; financial services relating to credit cards; financial services for the management of credit cards; bank card, credit card, debit card and electronic payment card services; fund-raising and financial sponsorship.

37 – Construction services; automobile repair; assembly [installation] of parts for vehicles; airplane maintenance and repair; anti-rust treatment for vehicles; artificial snow-making services; boiler cleaning and repair; building construction supervision; cleaning of buildings [exterior surface]; cleaning of building interiors; rental of bulldozers; burner maintenance and repair; car wash; chimney sweeping; diaper cleaning; dry cleaning; rental of cleaning machines; cleaning of clothing; installation, maintenance and repair of computer hardware; rental of construction equipment; construction information; demolition of buildings; disinfecting; drilling of wells; rental of excavators; vermin exterminating, other than for agriculture, aquaculture, horticulture and forestry; mining extraction; film projector repair and maintenance; fur care, cleaning and repair; furniture maintenance; vehicle greasing; provision of construction information; repair information; linen ironing; laundering; leather care, cleaning and repair; machinery installation, maintenance and repair; vehicle maintenance; motor vehicle maintenance and repair; office machines and equipment installation, maintenance and repair; painting, interior and exterior; paper hanging; pipeline construction and maintenance; vehicle polishing; clothing ironing; quarrying services; rat exterminating; re-inking and refilling of toner cartridges; rental of cranes [construction equipment]; rental of road sweeping machines; rustproofing; safe maintenance and repair; vehicle service stations [refuelling and maintenance]; shipbuilding; painting or repair of signs; street cleaning; strong-room maintenance and repair; swimming-pool maintenance; varnishing; vehicle cleaning; vehicle washing; washing; washing of linen; window cleaning; recharging of batteries and accumulators; charging of electric vehicles; vehicle fueling services; vehicle breakdown repair services.

39 – Transport; packaging and storage of goods; arranging of transportation for travel tours; boat rental; freight brokerage [forwarding (Am.)]; transport bro-

kerage; operating canal locks; car parking; car rental; motor coach rental; distribution of energy; rental of diving bells; rental of diving suits; electricity distribution; escorting of travellers; franking of mail; transportation of freight; freight and cargo handling services; freight forwarding; refrigerator rental; garage rental; horse rental; ice-breaking; storage information; transportation information; launching of satellites for others; parking place rental; transport by pipeline; refloating of ships; rental of motor racing cars; rental of storage containers; rental of vehicle roof racks; rental of warehouses; rental of wheelchairs; underwater salvage; salvage of ships; salvaging; shipbrokerage; sightseeing [tourism]; traffic information; rental of lorries; vehicle rental; water distribution; water supplying; travel route planning services; booking of hire cars; booking of seats for travel; planning and booking of travel and transport, via electronic means; chauffeur services; chauffeur driven car hire services; taxi transport; providing taxi booking services via mobile applications; vehicle location services; vehicle towing services as part of vehicle breakdown assistance services; providing road and traffic information; vehicle breakdown towing services; rental of cycles; car sharing services; providing information relating to vehicle parking services; delivery services; carpooling services; navigation services; itinerary planning services.

41 – Education and instruction services; entertainment services; sporting and cultural activities; booking of seats for shows; publication of books; calligraphy services; editing of printed matter containing pictures, other than for advertising purposes; rental of skin diving equipment; education information; electronic publishing services; entertainment information; recreation information; sign language interpretation; layout services, other than for advertising purposes; microfilming; modelling for artists; rental of movie projectors and accessories; providing online electronic publications, not downloadable; online publication of electronic books and journals; publication of texts, other than publicity texts; rental of radio and television sets; rental of video cassette recorders; rental of audio equipment; rental of video cameras; rental of lighting apparatus for theatrical sets or television studios; rental of show scenery; rental of sports equipment, except vehicles; rental of stage scenery; timing of sports events; ticket agency services [entertainment]; translation and interpretation; videotaping; provision of training courses; exercise instruction; organisation of automobile races; providing museum facilities [presentation, exhibitions]; museum curator services; museum services; organisation of conferences, exhibitions and competitions; creation [writing] of podcasts.

43 – Services for providing food and drink; providing temporary accommodation; temporary accommodation reservations; boarding house bookings; rental of transportable buildings; hotel reservations; rental of

chairs, tables, table linen, glassware; rental of tents; information, advice and reservation services for the provision of food and drink.

(260) AM 2022 113890 A
(800) 1601502
(151) 2021 03 05
(891) 2021 03 05
(731) WORLD MEDICINE İLAÇ SAN. VE TİC.
A.Ş.
15 Temmuz Mah. Cami Yolu Cad. No:50,
Bağcılar, İstanbul, Turkey

(540)
YANTORA-ЯНТОРА

(591) Black, white
(531) 28.05
(511)
5 – Pharmaceutical and veterinary preparations for medical purposes, chemical preparations for medical purposes, dietary supplements, including those adapted for medical purposes, dietary supplements for slimming purposes, food for babies, herbs and herbal beverages adapted for medicinal purposes, dental preparations and articles, sanitary preparations for medical use, hygienic pads, hygienic tampons, plasters, materials for dressings, diapers, including those made of paper and textiles, preparations for destroying vermin, fungicides, herbicides, deodorants, other than for human beings or for animals, air deodorising preparations, disinfectants, antiseptics, detergents for medical purposes.

(260) AM 2022 113891 A
(800) 1601519
(151) 2021 04 20
(891) 2021 04 20
(731) EcoFlow Inc.
Plant A202, Founder Technology Industrial
Park, Shiyan Subdistrict, Bao'an District
Shenzhen, 518000 Guangdong, China

(540)


(591) Black, white
(531) 26.03.23; 26.11.03; 26.11.06; 26.11.08;
27.01.01; 27.01.25; 27.05.01
(511)
9 – Batteries for vehicles; battery boxes; accumulators, electric; photovoltaic cells; solar batteries; battery chargers; rechargeable electric batteries; charging

stations for electric vehicles; lithium-ion batteries; batteries, electric.

(260) AM 2022 113892 A
(800) 1601550
(151) 2021 04 12
(891) 2021 04 12
(731) SHANGHAI PHOENIX ENTERPRISE
(GROUP) CO., LTD.
No.06, Bldg.158, Kaile Avenue, Jinshan
Industry Zone, Jinshan District, Shanghai,
China

(540)



(591) Brown, orange, green, white
(531) 03.07.04; 04.03.20; 24.03.09; 24.03.13;
24.03.18; 27.05.01; 29.01.15
(511)
12 – Wheelchairs; bicycles; electric bicycles; two-wheeled trolleys; scooters [vehicles]; folding luggage trolleys; electric tricycles; motorcycles; strollers.

(260) AM 2022 113893 A
(800) 1601599
(151) 2020 12 17
(891) 2020 12 17
(731) DEPPOT BANYO EKİPMANLARI, SANAYİ
TİCARET ANONİM ŞİRKETİ
Akçaburgaz Mah., Akçaburgaz Cad. No:91/5,
Esenyurt, İstanbul, Turkey

(540)



(591) Grey, purple
(531) 27.05.09; 27.05.19; 29.01.12
(511)
11 – Regulating accessories for water or gas apparatus and pipes, taps for sanitary installations and safety accessories for water apparatus, bath fittings, bath installations, bidets, pipes, wash-hand basins, faucets for pipes and pipelines, mixer faucets for water pipes, sanitary apparatus and installations, sinks, bath tubs, taps for pipes, taps for wash-hand basins, bidet taps, hand-held shower heads, hand-held showers, mixer

showers, water-saving shower heads, single-lever faucets for sinks, bathroom sinks, kitchen sinks, water-saving faucets, automatic faucets.

21 – Nozzles for watering hose, plastic spray nozzles for watering hoses, nozzles for sprinkler hose, sprayer wands for garden hose, spray nozzles for garden hoses, strainers for household purposes, strainers, not of precious metal, strainers of precious metal; household or kitchen utensils and containers; cookware and tableware, except forks, knives and spoons; combs and sponges; brushes, except paintbrushes; brush-making materials; articles for cleaning purposes; unworked or semi-worked glass, except building glass; glassware, porcelain and earthenware, portable plastic containers for household and kitchen use, cooking pots and pans, non-electric, portable pots and pans for camping, cosmetic and toilet utensils, fitted toilet bags, toilet brushes, toilet utensils, toilet sponges, toilet paper holders, toilet paper dispensers, toilet cases, toilet brushes.

(260) AM 2022 113939 A

(800) 1602681

(151) 2021 05 28

(891) 2021 05 28

(731) Department of International Trade Promotion
Ministry of Commerce 563 Nonthaburi Road,
Bangkrasor, Meung Nonthaburi, 11000
Nonthaburi, Thailand

(540)



DEmark

(591) RED M100 Y100 and BLACK BL100.

(531) 26.01.03; 26.01.05; 26.01.24; 27.05.01;
27.05.09; 29.01.12

(526) mark

(511)

35 – Commercial public relation services; commercial management.

41 – Organisation of commercial design contests.

42 – Conducting examination processes for commercial design certification purposes.

(260) AM 2022 113940 A

(800) 1602683

(151) 2020 12 16

(891) 2020 12 16

(731) ORZAKS İLAÇ VE KİMYA SANAYİ
TİCARET ANONİM ŞİRKETİ

Akçaburgaz Mah 153 Sk No :27 A, Esenyurt,
İstanbul, Turkey

(540)

ORZAX

(591) Black, gree, white

(531) 05.03.13; 05.03.14; 27.05.08; 29.01.12

(511)

5 – Pharmaceutical products, medical and veterinary preparations; sanitary products for medical purposes; dietetic substances and foodstuffs for medical or veterinary use, food for babies; food supplements for humans and animals, vitamins; amino acids for medical purposes; dietary fiber to aid digestion; dietary supplements and dietetic preparations; dietary and nutritional supplements; dietary and nutritional supplements containing fish oils; dietary and nutritional supplements; dietary and nutritional supplements used for weight loss; enzyme food supplements; food supplements; food supplements consisting of amino acids; food supplements for sportsmen; food supplements in liquid form; herbal supplements; meal replacement shakes adapted for medical use; mineral supplements; nutritional supplement shakes; nutritional supplements; nutritional supplements for boosting energy; nutritional supplements for support of the immune system; nutritional supplements for bone and joint support; nutritional supplements, namely, probiotic compositions; nutritional and dietary supplements formed and packaged as bars; protein dietary supplements; protein supplement shakes; antiseptics; disinfectants; detergents for medical purposes.

(260) AM 2022 113941 A

(800) 1602745

(151) 2021 04 02

(891) 2021 04 02

(731) Limited liability company "Krasota"
ul. im. Babushkina, d. 215, of. 2, Krasnodar,
RU-350049 Krasnodarskiy kray, Russian
Federation

(540)

Pixel Tap

(591) Gold

(531) 27.05.01; 27.05.09; 29.01.02

(511)

3 – Abrasives; amber [perfume]; descaling preparations for household purposes; antistatic preparations for household purposes; aromatics [essential oils]; air fra-

grancing preparations; cake flavourings [essential oils]; flavourings for beverages [essential oils]; food flavourings [essential oils]; breath freshening sprays; canned pressurized air for cleaning and dusting purposes; balms, other than for medical purposes; basma [cosmetic dye]; lip glosses; polishing stones; abrasive paper; emery paper; polishing paper; petroleum jelly for cosmetic purposes; shoe polish; cobblers' wax; cotton wool for cosmetic purposes; sachets for perfuming linen; drying agents for dishwashing machines; adhesives for cosmetic purposes; scented water; Javelle water; lavender water; toilet water; wax for parquet floors; floor wax; non-slipping wax for floors; depilatory wax; moustache wax; tailors' wax; creams for leather; polish for furniture and flooring; shoemakers' wax; polishing wax; massage gels, other than for medical purposes; heliotropine; dental bleaching gels; geraniol; make-up; deodorants for pets; depilatory preparations; air fragrance reed diffusers; scented wood; perfumes; non-slipping liquids for floors; wind-screen cleaning liquids; greases for cosmetic purposes; volcanic ash for cleaning; perfumery; decorative transfers for cosmetic purposes; ionone [perfumery]; shaving stones [astringents]; smoothing stones; eyebrow pencils; cosmetic pencils; silicon carbide [abrasive]; carbides of metal [abrasives]; alum stones [astringents]; tripoli stone for polishing; adhesives for affixing false eyelashes; adhesives for affixing false hair; hair conditioners; quillaia bark for washing; corundum [abrasive]; beard dyes; colorants for toilet purposes; cosmetic dyes; starch for laundry purposes; laundry glaze; shoe cream; polishing creams; cosmetic creams; skin whitening creams; polishing rouge; incense; hair spray; nail varnish; hair lotions; lotions for cosmetic purposes; after-shave lotions; beauty masks; oils for perfumes and scents; oils for cosmetic purposes; oils for toilet purposes; essential oils; essential oils of cedarwood; essential oils of lemon; essential oils of citron; oils for cleaning purposes; bergamot oil; gaultheria oil; jasmine oil; lavender oil; almond oil; rose oil; oil of turpentine for degreasing; whiting; cleaning chalk; almond milk for cosmetic purposes; cleansing milk for toilet purposes; musk [perfumery]; soap; deodorant soap; shaving soap; soap for brightening textile; cakes of toilet soap; antiperspirant soap; soap for foot perspiration; almond soap; mint for perfumery; cosmetic kits; emery; nail art stickers; false nails; eau de Cologne; bases for flower perfumes; joss sticks; pastes for razor strops; toothpaste; pumice stone; lipstick cases; hydrogen peroxide for cosmetic purposes; breath freshening strips; teeth whitening strips; sandcloth; glass cloth [abrasive cloth]; lipsticks; pomades for cosmetic purposes; dentifrices; shaving preparations; cosmetic preparations for baths; bath preparations, not for medical purposes; hair straightening preparations; hair waving preparations; laundry soaking preparations; grinding preparations; smoothing preparations [starching]; colour-removing preparations; leather bleaching preparations; polishing

preparations; denture polishes; mouthwashes, not for medical purposes; cosmetic preparations for slimming purposes; starch glaze for laundry purposes; preparations to make the leaves of plants shiny; eye-washes, not for medical purposes; fabric softeners for laundry use; laundry bleach; dry-cleaning preparations; paint stripping preparations; lacquer-removing preparations; make-up removing preparations; floor wax removers [scouring preparations]; varnish-removing preparations; rust removing preparations; nail care preparations; cleaning preparations; preparations for cleaning dentures; wallpaper cleaning preparations; preparations for unblocking drain pipes; chemical cleaning preparations for household purposes; collagen preparations for cosmetic purposes; bleaching preparations [decolorants] for household purposes; laundry preparations; aloe vera preparations for cosmetic purposes; sunscreen preparations; colour-brightening chemicals for household purposes [laundry]; breath freshening preparations for personal hygiene; shining preparations [polish]; make-up powder; diamantine [abrasive]; stain removers; nail varnish removers; vaginal washes for personal sanitary or deodorant purposes; scouring solutions; false eyelashes; baby wipes impregnated with cleaning preparations; tissues impregnated with cosmetic lotions; tissues impregnated with make-up removing preparations; safrol; massage candles for cosmetic purposes; laundry blueing; turpentine for degreasing; potpourris [fragrances]; bleaching soda; bath salts, not for medical purposes; bleaching salts; fumigation preparations [perfumes]; leather preservatives [polishes]; ammonia [volatile alkali] [detergent]; astringents for cosmetic purposes; eyebrow cosmetics; make-up preparations; sun-tanning preparations [cosmetics]; hair dyes; neutralizers for permanent waving; cosmetic preparations for eyelashes; cosmetic preparations for skin care; cosmetics; cosmetics for children; cosmetics for animals; mascara; cleansers for intimate personal hygiene purposes, non medicated; douching preparations for personal sanitary or deodorant purposes [toilettries]; detergents, other than for use in manufacturing operations and for medical purposes; degreasers, other than for use in manufacturing processes; bleaching preparations [decolorants] for cosmetic purposes; toiletry preparations; antiperspirants [toilettries]; phytocosmetic preparations; talcum powder, for toilet use; cotton swabs for cosmetic purposes; terpenes [essential oils]; emery cloth; cloths impregnated with a detergent for cleaning; henna [cosmetic dye]; shampoos; shampoos for animals [non-medicated grooming preparations]; shampoos for pets [non-medicated grooming preparations]; dry shampoos; sandpaper; soda lye; herbal extracts for cosmetic purposes; extracts of flowers [perfumes]; ethereal essences; badian essence; mint essence [essential oil]; nail glitter; washing soda, for cleaning; gel eye patches for cosmetic purposes; deodorants for human beings or for animals.

(260) AM 2022 113943 A
 (800) 1602816
 (151) 2021 04 23
 (891) 2021 04 23
 (731) Eskaro Group AB
 Box 11918, SE-404 39 Göteborg,
 Sweden

(540)



(591) White, black, grey
 (531) 01.15.15; 20.01.05; 26.13.25; 27.03.15; 28.05
 (511)
 2 – Paints, varnishes, lacquers; preservatives against
 rust and against deterioration of wood; colorants,
 dyes.

(260) AM 2022 114021 A
 (800) 1256535
 (151) 2015 06 03
 (891) 2021 06 03
 (731) NOVARTIS AG
 CH-4002 Basel, Switzerland
 (540)

SPEERSTA

(591) Black, white
 (511)
 5 – Pharmaceutical preparations.

(260) AM 2022 114119 A
 (800) 1550011
 (151) 2020 07 28
 (891) 2021 06 25
 (731) NOVARTIS AG
 CH-4002 Basel, Switzerland
 (540)

ZOLGENSMA

(591) Black, white
 (511)
 5 – Pharmaceutical preparations.

(260) AM 2022 114120 A
 (800) 1550066
 (151) 2020 07 28
 (891) 2021 06 22
 (731) NOVARTIS AG
 CH-4002 Basel, Switzerland

(540)



(591) Violet and green
 (531) 01.13.15; 07.03.15; 26.11.25; 29.01.12
 (511)
 44 – Medical services and provision of information on
 these services.

(260) AM 2022 114121 A
 (800) 1555760
 (151) 2020 07 31
 (891) 2021 06 20
 (731) Jiangsu Jiejie Tools Co., Ltd
 No.1 Avenue Nanmachang Huaian Economic;
 and Technological Development Zone,
 Huaian, Jiangsu, China

(540)

PROFIXMAN

(591) Black, white
 (531) 27.05.01; 27.05.17
 (511)
 7 – Compressed air machines; metalworking machi-
 nes; hand-held tools, other than hand-operated; agri-
 cultural implements other than hand-operated; stone-
 working machines; pneumatic jacks; electric saws; el-
 ectric drill bits; spray guns for paint; pumps [machi-
 nes]; machines and apparatus for cleaning, electric;
 mixing machines; packaging machines; cutting ma-
 chines; machines and apparatus for polishing [elec-
 tric]; blades [parts of machines]; electric hand drills;
 dynamos; motors, electric, other than for land vehi-
 cles; electric hammers; electric welding apparatus; wo-
 odworking machines; gasoline engines, not for land
 vehicles; reciprocating saws; trueing machines; dri-
 lling heads [parts of machines].

INTERNATIONAL TRADEMARKS PROTECTED IN GEORGIA

(260) AM 2022 105589 A
(800) 1495423
(151) 2019 02 26
(181) 2029 02 26
(891) 2019 02 26
(511) 01, 02, 03, 04, 05, 06, 07, 08, 09, 09, 10, 11, 12,
12, 13, 14, 15, 16, 17, 18, 19, 20, 21, 22, 23, 24,
25, 26, 27, 28, 29, 30, 31, 32, 33, 34, 37, 40, 41,
42, 43, 44, 45

(260) AM 2022 106330 A
(800) 1498030
(151) 2019 09 13
(181) 2029 09 13
(891) 2019 09 13
(511) 30

(260) AM 2022 106425 A
(800) 1498572
(151) 2019 09 13
(181) 2029 09 13
(891) 2019 09 13
(511) 29, 30

(260) AM 2022 109475 A
(800) 1546730
(151) 2020 07 16
(181) 2030 07 16
(891) 2020 07 16
(511) 16, 20, 21

(260) AM 2022 109876 A
(800) 1551629
(151) 2020 06 02
(181) 2030 06 02
(891) 2020 06 02
(511) 28, 41

(260) AM 2022 110154 A
(800) 1555080
(151) 2020 07 15
(181) 2030 07 15
(891) 2020 07 15
(511) 07, 09, 12, 18, 25

(260) AM 2022 111316 A
(800) 1501160
(151) 2019 09 28
(181) 2029 09 28
(891) 2020 10 12
(511) 30, 32

(260) AM 2022 111356 A
(800) 1571169
(151) 2020 12 10
(181) 2030 12 10
(891) 2020 12 10
(511) 32

(260) AM 2022 111357 A
(800) 1571231
(151) 2020 10 15
(181) 2030 10 15
(891) 2020 10 15
(511) 30

(260) AM 2022 111387 A
(800) 1117057
(151) 2012 04 12
(181) 2022 04 12
(891) 2020 12 08
(511) 03

(260) AM 2022 111388 A
(800) 1147977
(151) 2012 12 24
(181) 2022 12 24
(891) 2020 12 08
(511) 03

(260) AM 2022 111392 A
(800) 1412700
(151) 2018 04 16
(181) 2028 04 16
(891) 2020 12 21
(511) 09, 38, 42

(260) AM 2022 111461 A
(800) 1572302
(151) 2020 07 31
(181) 2030 07 31

(891) 2020 07 31
(511) 36

(891) 2020 12 10
(511) 09, 42

(260) AM 2022 111462 A
(800) 1572303
(151) 2020 09 03
(181) 2030 09 03
(891) 2020 09 03
(511) 03, 05

(260) AM 2022 111495 A
(800) 1540337
(151) 2020 06 09
(181) 2030 06 09
(891) 2020 12 29
(511) 05

(260) AM 2022 111463 A
(800) 1572305
(151) 2020 12 07
(181) 2030 12 07
(891) 2020 12 07
(511) 09

(260) AM 2022 111560 A
(800) 1573644
(151) 2020 11 10
(181) 2030 11 10
(891) 2020 11 10
(511) 35, 36, 39, 42, 44

(260) AM 2022 111464 A
(800) 1572307
(151) 2020 07 31
(181) 2030 07 31
(891) 2020 07 31
(511) 36

(260) AM 2022 111561 A
(800) 1573655
(151) 2020 10 13
(181) 2030 10 13
(891) 2020 10 13
(511) 05, 10

(260) AM 2022 111465 A
(800) 1572328
(151) 2020 08 14
(181) 2030 08 14
(891) 2020 08 14
(511) 01, 02, 03, 05, 10, 16, 17, 18, 19, 22, 23, 24, 25,
27, 34, 35, 39, 40, 41, 42

(260) AM 2022 111562 A
(800) 1573748
(151) 2020 12 15
(181) 2030 12 15
(891) 2020 12 15
(511) 34

(260) AM 2022 111491 A
(800) 1572875
(151) 2020 07 24
(181) 2030 07 24
(891) 2020 07 24
(511) 06, 07, 08, 09, 11, 35

(260) AM 2022 111563 A
(800) 1573762
(151) 2020 12 14
(181) 2030 12 14
(891) 2020 12 14
(511) 30

(260) AM 2022 111492 A
(800) 1128353
(151) 2012 06 18
(181) 2022 06 18
(891) 2020 11 25
(511) 05

(260) AM 2022 111564 A
(800) 1573821
(151) 2020 10 30
(181) 2030 10 30
(891) 2020 10 30
(511) 05, 10

(260) AM 2022 111493 A
(800) 1471179
(151) 2019 04 02
(181) 2029 04 02

(260) AM 2022 111574 A
(800) 1411753
(151) 2018 04 16
(181) 2028 04 16
(891) 2020 12 21
(511) 09, 38, 42

(260) AM 2022 111622 A
(800) 1574246
(151) 2020 11 13
(181) 2030 11 13
(891) 2020 11 13
(511) 32

(260) AM 2022 111655 A
(800) 1575123
(151) 2021 01 05
(181) 2031 01 05
(891) 2021 01 05
(511) 12, 37

(260) AM 2022 111623 A
(800) 1574284
(151) 2020 11 30
(181) 2030 11 30
(891) 2020 11 30
(511) 03, 05, 10, 16, 25, 28, 35, 39

(260) AM 2022 111656 A
(800) 1575177
(151) 2020 12 15
(181) 2030 12 15
(891) 2020 12 15
(511) 05

(260) AM 2022 111624 A
(800) 1574299
(151) 2020 12 09
(181) 2030 12 09
(891) 2020 12 09
(511) 02, 17, 19

(260) AM 2022 111657 A
(800) 1575178
(151) 2020 12 15
(181) 2030 12 15
(891) 2020 12 15
(511) 05

(260) AM 2022 111625 A
(800) 1574313
(151) 2020 12 09
(181) 2030 12 09
(891) 2020 12 09
(511) 02, 17, 19

(260) AM 2022 111658 A
(800) 1575179
(151) 2020 12 15
(181) 2030 12 15
(891) 2020 12 15
(511) 05

(260) AM 2022 111637 A
(800) 1574753
(151) 2020 09 29
(181) 2030 09 29
(891) 2020 09 29
(511) 09, 16, 35, 36, 38, 41

(260) AM 2022 111659 A
(800) 1575180
(151) 2020 12 15
(181) 2030 12 15
(891) 2020 12 15
(511) 05

(260) AM 2022 111639 A
(800) 1574876
(151) 2020 09 25
(181) 2030 09 25
(891) 2020 09 25
(511) 03, 05

(260) AM 2022 111660 A
(800) 1575181
(151) 2020 12 15
(181) 2030 12 15
(891) 2020 12 15
(511) 05

(260) AM 2022 111653 A
(800) 1575081
(151) 2020 12 14
(181) 2030 12 14
(891) 2020 12 14
(511) 01, 05, 31

(260) AM 2022 111661 A
(800) 1575182
(151) 2020 12 15
(181) 2030 12 15
(891) 2020 12 15
(511) 05

(260) AM 2022 111662 A
(800) 1575185
(151) 2021 01 05
(181) 2031 01 05
(891) 2021 01 05
(511) 09, 10

(260) AM 2022 111672 A
(800) 1575352
(151) 2020 12 21
(181) 2030 12 21
(891) 2020 12 21
(511) 29
(551) Collective

(260) AM 2022 111683 A
(800) 881581
(151) 2004 12 06
(181) 2024 12 06
(891) 2020 12 25
(511) 11

(260) AM 2022 111684 A
(800) 1373004
(151) 2017 01 26
(181) 2027 01 26
(891) 2020 12 25
(511) 07, 11, 37

(260) AM 2022 111685 A
(800) 1423974
(151) 2018 08 15
(181) 2028 08 15
(891) 2020 12 18
(511) 12

(260) AM 2022 111760 A
(800) 1575526
(151) 2020 12 15
(181) 2030 12 15
(891) 2020 12 15
(511) 05

(260) AM 2022 111769 A
(800) 1575562
(151) 2020 12 15
(181) 2030 12 15
(891) 2020 12 15
(511) 05

(260) AM 2022 111770 A
(800) 1575597
(151) 2020 12 30
(181) 2030 12 30
(891) 2020 12 30
(511) 14

(260) AM 2022 111781 A
(800) 1575985
(151) 2020 09 24
(181) 2030 09 24
(891) 2020 09 24
(511) 09

(260) AM 2022 111787 A
(800) 1576188
(151) 2020 12 04
(181) 2030 12 04
(891) 2020 12 04
(511) 08, 10, 14

(260) AM 2022 111788 A
(800) 1576223
(151) 2020 10 27
(181) 2030 10 27
(891) 2020 10 27
(511) 03, 05

(260) AM 2022 111789 A
(800) 1576239
(151) 2020 12 09
(181) 2030 12 09
(891) 2020 12 09
(511) 14

(260) AM 2022 111790 A
(800) 1576250
(151) 2020 10 27
(181) 2030 10 27
(891) 2020 10 27
(511) 03, 05

(260) AM 2022 111791 A
(800) 1576303
(151) 2020 07 07
(181) 2030 07 07
(891) 2020 07 07
(511) 09, 16, 35, 36, 37, 38, 41, 42

(260) AM 2022 111803 A
(800) 1576499
(151) 2020 11 24
(181) 2030 11 24
(891) 2020 11 24
(511) 30

(260) AM 2022 111808 A
(800) 1576693
(151) 2020 11 26
(181) 2030 11 26
(891) 2020 11 26
(511) 01, 05

(260) AM 2022 111810 A
(800) 1576714
(151) 2020 11 03
(181) 2030 11 03
(891) 2020 11 03
(511) 25, 35

(260) AM 2022 111815 A
(800) 1081602
(151) 2011 05 20
(181) 2021 05 20
(891) 2021 01 11
(511) 06, 19

(260) AM 2022 111816 A
(800) 1086795
(151) 2011 05 26
(181) 2021 05 26
(891) 2020 10 06
(511) 05, 35, 39

(260) AM 2022 111826 A
(800) 1398038
(151) 2018 01 10
(181) 2028 01 10
(891) 2021 01 29
(511) 01, 04, 06, 14, 19, 35, 37, 38, 39, 40, 42

(260) AM 2022 111888 A
(800) 1576898
(151) 2020 11 17
(181) 2030 11 17
(891) 2020 11 17
(511) 01, 10, 12, 17, 19, 20, 21, 25, 27, 28, 35, 42

(260) AM 2022 111889 A
(800) 1576915
(151) 2020 11 17
(181) 2030 11 17
(891) 2020 11 17
(511) 11, 44

(260) AM 2022 111896 A
(800) 1577168
(151) 2021 01 15
(181) 2031 01 15
(891) 2021 01 15
(511) 42

(260) AM 2022 111897 A
(800) 1577335
(151) 2020 12 15
(181) 2030 12 15
(891) 2020 12 15
(511) 01, 02, 06, 07, 08, 09, 16, 17, 19, 20, 24, 27, 35, 37, 39, 42

(260) AM 2022 111898 A
(800) 1577352
(151) 2020 11 30
(181) 2030 11 30
(891) 2020 11 30
(511) 24

(260) AM 2022 111901 A
(800) 1577362
(151) 2020 12 29
(181) 2030 12 29
(891) 2020 12 29
(511) 09

(260) AM 2022 111902 A
(800) 1577368
(151) 2021 01 20
(181) 2031 01 20
(891) 2021 01 20
(511) 35, 36, 37, 41, 42

(260) AM 2022 111903 A
(800) 1577381
(151) 2020 12 28
(181) 2030 12 28
(891) 2020 12 28
(511) 03

(260) AM 2022 111905 A
(800) 1577436
(151) 2020 12 16
(181) 2030 12 16
(891) 2020 12 16
(511) 19, 37, 41

(260) AM 2022 111978 A
(800) 1577955
(151) 2020 12 17
(181) 2030 12 17
(891) 2020 12 17
(511) 11

(260) AM 2022 111906 A
(800) 1577471
(151) 2020 12 18
(181) 2030 12 18
(891) 2020 12 18
(511) 09

(260) AM 2022 111979 A
(800) 1578004
(151) 2020 12 22
(181) 2030 12 22
(891) 2020 12 22
(511) 03, 16, 41

(260) AM 2022 111908 A
(800) 1577546
(151) 2020 06 25
(181) 2030 06 25
(891) 2020 06 25
(511) 07, 08, 12, 35

(260) AM 2022 111983 A
(800) 1578133
(151) 2020 07 28
(181) 2030 07 28
(891) 2020 07 28
(511) 35, 36, 39, 42

(260) AM 2022 111909 A
(800) 1577571
(151) 2020 09 30
(181) 2030 09 30
(891) 2020 09 30
(511) 29, 30

(260) AM 2022 111984 A
(800) 1578146
(151) 2020 12 09
(181) 2030 12 09
(891) 2020 12 09
(511) 03, 16, 21, 28

(260) AM 2022 111920 A
(800) 1577817
(151) 2020 11 20
(181) 2030 11 20
(891) 2020 11 20
(511) 16

(260) AM 2022 111989 A
(800) 1578322
(151) 2020 12 25
(181) 2030 12 25
(891) 2020 12 25
(511) 07, 08, 11

(260) AM 2022 111922 A
(800) 1577877
(151) 2020 12 14
(181) 2030 12 14
(891) 2020 12 14
(511) 12

(260) AM 2022 111990 A
(800) 1578324
(151) 2021 01 27
(181) 2031 01 27
(891) 2021 01 27
(511) 07

(260) AM 2022 111923 A
(800) 1577915
(151) 2020 08 26
(181) 2030 08 26
(891) 2020 08 26
(511) 03

(260) AM 2022 112005 A
(800) 1578657
(151) 2021 01 04
(181) 2031 01 04
(891) 2021 01 04
(511) 05

(260) AM 2022 112007 A
 (800) 1578750
 (151) 2021 01 21
 (181) 2031 01 21
 (891) 2021 01 21
 (511) 28, 35

(260) AM 2022 112033 A
 (800) 1579324
 (151) 2020 10 09
 (181) 2030 10 09
 (891) 2020 10 09
 (511) 02, 35

(260) AM 2022 112009 A
 (800) 1578764
 (151) 2020 12 11
 (181) 2030 12 11
 (891) 2020 12 11
 (511) 30

(260) AM 2022 112034 A
 (800) 1579344
 (151) 2021 01 08
 (181) 2031 01 08
 (891) 2021 01 08
 (511) 05, 31

(260) AM 2022 112012 A
 (800) 1578815
 (151) 2020 10 14
 (181) 2030 10 14
 (891) 2020 10 14
 (511) 35, 37, 42

(260) AM 2022 112035 A
 (800) 708770
 (151) 1999 01 16
 (181) 2029 01 16
 (891) 2021 02 17
 (511) 01, 05

(260) AM 2022 112015 A
 (800) 1578956
 (151) 2020 11 13
 (181) 2030 11 13
 (891) 2020 11 13
 (511) 07, 09, 11, 35, 37, 42

(260) AM 2022 112036 A
 (800) 919405
 (151) 2007 02 22
 (181) 2027 02 22
 (891) 2021 02 08
 (511) 25

(260) AM 2022 112017 A
 (800) 1578981
 (151) 2021 01 26
 (181) 2031 01 26
 (891) 2021 01 26
 (511) 32

(260) AM 2022 112037 A
 (800) 1407666
 (151) 2018 04 09
 (181) 2028 04 09
 (891) 2021 02 18
 (511) 18, 25, 35

(260) AM 2022 112021 A
 (800) 1579047
 (151) 2020 10 17
 (181) 2030 10 17
 (891) 2020 10 17
 (511) 34

(260) AM 2022 112038 A
 (800) 1550852
 (151) 2020 07 28
 (181) 2030 07 28
 (891) 2021 02 11
 (511) 30

(260) AM 2022 112032 A
 (800) 1579321
 (151) 2020 10 15
 (181) 2030 10 15
 (891) 2020 10 15
 (511) 30

(260) AM 2022 112039 A
 (800) 1568232
 (151) 2020 11 19
 (181) 2030 11 19
 (891) 2021 02 15
 (511) 11

(260) AM 2022 112116 A
(800) 1579910
(151) 2020 09 14
(181) 2030 09 14
(891) 2020 09 14
(511) 41

(260) AM 2022 112200 A
(800) 1581010
(151) 2021 01 15
(181) 2031 01 15
(891) 2021 01 15
(511) 18, 25

(260) AM 2022 112126 A
(800) 1580479
(151) 2020 10 06
(181) 2030 10 06
(891) 2020 10 06
(511) 38, 41, 42

(260) AM 2022 112205 A
(800) 1581176
(151) 2021 01 19
(181) 2031 01 19
(891) 2021 01 19
(511) 01

(260) AM 2022 112129 A
(800) 1580548
(151) 2020 10 06
(181) 2030 10 06
(891) 2020 10 06
(511) 38, 41, 42

(260) AM 2022 112218 A
(800) 1581430
(151) 2021 01 11
(181) 2031 01 11
(891) 2021 01 11
(511) 07

(260) AM 2022 112134 A
(800) 1580602
(151) 2021 01 19
(181) 2031 01 19
(891) 2021 01 19
(511) 01

(260) AM 2022 112237 A
(800) 1581830
(151) 2020 11 27
(181) 2030 11 27
(891) 2020 11 27
(511) 10

(260) AM 2022 112135 A
(800) 1580617
(151) 2020 11 18
(181) 2030 11 18
(891) 2020 11 18
(511) 28

(260) AM 2022 112251 A
(800) 1495541
(151) 2019 05 24
(181) 2029 05 24
(891) 2020 07 30
(511) 03

(260) AM 2022 112151 A
(800) 1365845
(151) 2017 05 09
(181) 2027 05 09
(891) 2021 02 03
(511) 18, 20, 22, 25

(260) AM 2022 112252 A
(800) 1580316
(151) 2020 12 08
(181) 2030 12 08
(891) 2021 03 04
(511) 17, 19, 20

(260) AM 2022 112163 A
(800) 1579394
(151) 2020 12 30
(181) 2030 12 30
(891) 2020 12 30
(511) 32

(260) AM 2022 112313 A
(800) 1582220
(151) 2020 09 14
(181) 2030 09 14
(891) 2020 09 14
(511) 41

(260) AM 2022 112314 A
(800) 1582239
(151) 2020 10 22
(181) 2030 10 22
(891) 2020 10 22
(511) 35, 42

(260) AM 2022 112355 A
(800) 1318501
(151) 2016 06 24
(181) 2026 06 24
(891) 2021 01 12
(511) 05, 35

(260) AM 2022 112318 A
(800) 1582367
(151) 2020 12 17
(181) 2030 12 17
(891) 2020 12 17
(511) 39

(260) AM 2022 112357 A
(800) 1338069
(151) 2017 01 30
(181) 2027 01 30
(891) 2020 12 30
(511) 05

(260) AM 2022 112320 A
(800) 1582375
(151) 2021 01 20
(181) 2031 01 20
(891) 2021 01 20
(511) 25

(260) AM 2022 112435 A
(800) 1583746
(151) 2020 12 23
(181) 2030 12 23
(891) 2020 12 23
(511) 35

(260) AM 2022 112324 A
(800) 1582624
(151) 2021 01 29
(181) 2031 01 29
(891) 2021 01 29
(511) 03

(260) AM 2022 112445 A
(800) 1584328
(151) 2021 02 17
(181) 2031 02 17
(891) 2021 02 17
(511) 14

(260) AM 2022 112339 A
(800) 1583056
(151) 2020 08 18
(181) 2030 08 18
(891) 2020 08 18
(511) 06, 12, 21

(260) AM 2022 112467 A
(800) 1567709
(151) 2020 10 29
(181) 2030 10 29
(891) 2021 02 26
(511) 03

(260) AM 2022 112353 A
(800) 1583324
(151) 2020 11 11
(181) 2030 11 11
(891) 2020 11 11
(511) 02, 06

(260) AM 2022 112786 A
(800) 1587990
(151) 2021 02 03
(181) 2031 02 03
(891) 2021 02 03
(511) 35

(260) AM 2022 112354 A
(800) 1225799
(151) 2014 07 10
(181) 2024 07 10
(891) 2020 12 30
(511) 05

OFFICIAL NOTIFICATIONS INVENTIONS

RESTORATION OF PATENTS

(21) AP 2008 11415
(11) P 2012 5693 B
(73) Biogen Ma Inc.
(54) SP35 ANTIBODIES AND USAGE THEREOF
DATE OF CANCELLATION OF PATENT: 2022 01 09
THE TERM OF RESTORATION OF PATENT: 2022 03 10

(21) AP 2010 12660
(11) P 2016 6528 B
(73) Officine Maccaferri S.p.A.
(54) PROTECTIVE METAL NETTING WITH INTERWOVEN WIRES, AND MACHINE AND METHOD FOR ITS MANUFACTURE
DATE OF CANCELLATION OF PATENT: 2021 09 10
THE TERM OF RESTORATION OF PATENT: 2022 03 10

(21) AP 2013 12974
(11) P 2016 6446 B
(73) Zurab Aslamazashvili;
Giorgi Oniashvili;
Garegin Zakarov;
Giorgi Tavadze;
Avtandil Khvadagiani;
Otar Okrostsvaridze;
Aleksandre Berner
(54) HARD ALLOY
DATE OF CANCELLATION OF PATENT: 2022 01 22
THE TERM OF RESTORATION OF PATENT: 2022 03 10

(21) AP 2013 12975
(11) P 2016 6447 B
(73) Zurab Aslamazashvili;
Giorgi Oniashvili;
Garegin Zakarov;
Giorgi Tavadze;
Avtandil Khvadagiani;
Otar Okrostsvaridze;
Aleksandre Berner
(54) HARD ALLOY
DATE OF CANCELLATION OF PATENT: 2022 01 22
THE TERM OF RESTORATION OF PATENT: 2022 03 10

(21) AP 2013 12976
(11) P 2016 6519 B
(73) Zurab Aslamazashvili;
Giorgi Oniashvili;
Garegin Zakarov;
Giorgi Tavadze;

Avtandil Khvadagiani;
Otar Okrostsvavidze

(54) METHOD FOR PRODUCING SYNTHETIC COMPOSITE CERAMIC MATERIALS - HARD ALLOY
HAVING ULTRAFINE STRUCTURE IN SYSTEMS TI-B-N-ME AND TI-B-N-C-ME

DATE OF CANCELLATION OF PATENT: 2022 01 22

THE TERM OF RESTORATION OF PATENT: 2022 03 10

(21) AP 2015 14494

(11) P 2020 7108 B

(73) Jenosaiens Farma

(54) SUBSTITUTED 2,4 DIAMINO-QUINOLINE AS NEW ANTICANCER AGENTS

DATE OF CANCELLATION OF PATENT: 2021 10 26

THE TERM OF RESTORATION OF PATENT: 2022 03 10

(21) AP 2019 14996

(11) P 2020 7187 B

(73) Omar Lomtadze;

Givi Chimakadze

(54) INSECT-ACARISIDE COMPOSITION OF PROLONGED ACTIVITY

DATE OF CANCELLATION OF PATENT: 2022 02 11

THE TERM OF RESTORATION OF PATENT: 2022 03 10

(21) AP 2003 8365

(11) P 2007 4024 B

(73) Biogen Ma Inc.

(54) POLYALKYLENE GLYCOL COMPRISING A RADICAL FOR CONJUGATION OF
BIOLOGICALLY ACTIVE COMPOUND

DATE OF CANCELLATION OF PATENT: 2022 01 17

THE TERM OF RESTORATION OF PATENT: 2022 03 10

ABOLITION OF PATENTS WITH THE RIGHT TO RESTORE

(21) AP 2012 12581

(11) P 2013 5895 B

(73) Eter Kemertelidze;

Aleksandre Skhirtladze;

Tsisana Sulakvelidze

(54) METHOD OF OBTAINING DIGITONIN

DATE OF CANCELLATION OF PATENT: 2022 02 20

THE TERM OF RESTORATION OF PATENT: 2023 02 20

(21) AP 2012 12584

(11) P 2014 6199 B

(73) Eter Kemertelidze;

Mary Alania;

Nana Kavtaradze

(54) HYPOAZOTEMICAL DRUG MADE OF PLANT PUERARIA HIRSUTE MATSUM

DATE OF CANCELLATION OF PATENT: 2022 02 20

THE TERM OF RESTORATION OF PATENT: 2023 02 20

(21) AP 2016 14065
(11) P 2017 6701 B
(73) Tamaz Shioshvili
(54) WIND RECEIVING DEVICE
DATE OF CANCELLATION OF PATENT: 2022 02 22
THE TERM OF RESTORATION OF PATENT: 2023 02 22

(21) AP 2015 14266
(11) P 2018 6893 B
(73) Takeda Pharmaceutical Company Limited
(54) PYRAZINES MODULATORS OF GPR6
DATE OF CANCELLATION OF PATENT: 2022 02 13
THE TERM OF RESTORATION OF PATENT: 2023 02 13

(21) AP 2016 14563
(11) P 2020 7098 B
(73) Chiesi Farmaceutici S.p. A.
(54) COMPOUNDS HAVING MUSCARINIC RECEPTOR ANTAGONIST AND BETA2 ADRENERGIC RECEPTOR AGONIST ACTIVITY
DATE OF CANCELLATION OF PATENT: 2022 02 10
THE TERM OF RESTORATION OF PATENT: 2023 02 10

(21) AP 2016 14581
(11) P 2019 6980 B
(73) Smart Spirits S.L.
(54) INFUSER FOR ALCOHOLIC BEVERAGES
DATE OF CANCELLATION OF PATENT: 2022 02 16
THE TERM OF RESTORATION OF PATENT: 2023 02 16

(21) AP 2019 14996
(11) P 2020 7187 B
(73) Omar Lomtadze;
Givi Chimakadze
(54) INSECT-ACARISIDE COMPOSITION OF PROLONGED ACTIVITY
DATE OF CANCELLATION OF PATENT: 2022 02 11
THE TERM OF RESTORATION OF PATENT: 2024 02 11

(21) AP 2020 15272
(11) P 2021 7283 B
(73) Ramaz Tkemaladze;
Zaur Chitidze;
Zaur Balamtsarishvili;
Malkhaz Akhvlediani;
Guram Bosikov;
Irakli Grdzelishvili;
Nikoloz Gelashvili;
Giorgi Kvaratskhelia;
Tinatin Darsavelidze;
David Mosulishvili;
Igor Gelashvili;
Maia Gogotishvili

(54) LOG DRAWING SELF-LOADING AGGREGATE BODY-ARROW MECHANISM WITH
HYDROMECHANICAL ACTUATOR

DATE OF CANCELLATION OF PATENT: 2022 02 06

THE TERM OF RESTORATION OF PATENT: 2023 02 06

EXPIRATION OF TERMS OF RESTORATION OF PATENT

(21) AP 2015 14261

(11) P 2018 6808 B

(73) Takeda Pharmaceutical Company Limited

(54) FUSED HETEROCYCLIC COMPOUND

DATE OF CANCELLATION OF PATENT: 2021 02 12

THE TERM OF RESTORATION OF PATENT VALIDITY HAS EXPIRED: 2022 02 12

CHANGES OF NAMES AND/OR ADDRESSES OF PATENTOWNERS

(21) AP 2015 14379

(11) P 2019 7011 B

(54) HETEROARYL COMPOUNDS FOR KINASE INHIBITION

NEW NAME AND NEW ADDRESS: Takeda Pharmaceutical Company Limited (JP)
1-1, Doshomachi 4-chome, Chuo-ku, Osaka-shi, Osaka, Japan (JP)

FORMER NAME AND FORMER ADDRESS: Ariad Pharmaceuticals Inc. (US)
40 Landsdowne Street Cambridge, MA 02139 , USA (US)

DATE OF REGISTRATION: 2022 02 25

(21) AP 2015 14706

(11) P 2020 7111 B

(54) HETEROARYL COMPOUNDS FOR KINASE INHIBITION

NEW NAME AND NEW ADDRESS: Takeda Pharmaceutical Company Limited (JP)
1-1, Doshomachi 4-chome, Chuo-ku, Osaka-shi, Osaka, Japan (JP)

FORMER NAME AND FORMER ADDRESS: Ariad Pharmaceuticals Inc. (US)
40 Landsdowne Street Cambridge, MA 02139 , USA (US)

DATE OF REGISTRATION: 2022 02 25

UTILITY MODELS RESTORATION OF PATENT

(21) AU 2020 15270
(11) U 2021 2080 Y
(73) Nino Mchedlishvili
(54) MULTIPLE USAGE PAD FOR LADY
DATE OF CANCELLATION OF PATENT: 2022 02 04
THE TERM OF RESTORATION OF PATENT: 2022 03 10

ABOLITION OF PATENTS WITH THE RIGHT TO RESTORE

(21) AU 2016 14064
(11) U 2016 1915 Y
(73) LTD "Maltisoft"
(54) PAYMENT SYSTEM FOR SERVICE BY ABONENT USING TELENET
DATE OF CANCELLATION OF PATENT: 2022 02 22
THE TERM OF RESTORATION OF PATENT: 2023 02 22

(21) AU 2020 15275
(11) U 2021 2066 Y
(73) Davt Chichua
(54) MOBILE SYSTEM FOR EDUCATIONAL, EXAMINATION OR CONFERENCE PURPOSES
DATE OF CANCELLATION OF PATENT: 2022 02 13
THE TERM OF RESTORATION OF PATENT: 2023 02 13

(21) AU 2020 15290
(11) U 2021 2076 Y
(73) Goga Chakhaia;
Levani Tsulukidze
(54) ANTILANDSLIDE CONSTRUCTION
DATE OF CANCELLATION OF PATENT: 2022 02 21
THE TERM OF RESTORATION OF PATENT: 2023 02 21

EXPIRATION OF TERMS OF RESTORATION OF PATENT

(21) AU 2017 14419
(11) U 2019 2008 Y
(73) Lukhum Chelidze;
Rani Chabukiani;
Soso Tavberidze;
Emzar Kilasonia
(54) DEVICE FOR SOIL FERTILIZING BETWEEN PLANT STEMS
DATE OF CANCELLATION OF PATENT: 2021 02 10
THE TERM OF RESTORATION OF PATENT VALIDITY HAS EXPIRED: 2022 02 10

DESIGNS

EXTENSION OF TERMS OF DESIGNS REGISTRATION

(11) D 2012 512 S
(73) Karine Karakhanova (GE)
Ruisi Str. 25, 0103, Tbilisi, Georgia (GE)
(54) CIGARETTES BOX WITH LIGHTER SECTION
(28) 1
(24) 2011 12 12
(18) 2026 12 12
(58) 2022 02 24

(11) D 2012 517 S
(73) Erich Krauze Finland Oy (FI)
Henri Fordin katu 5 N, 00150 Helsinki, Finland (FI)
(54) WRITING ACCESSORY
(28) 7
(24) 2012 02 23
(18) 2027 02 23
(58) 2022 02 24

EXTENSION OF TERMS OF INTERNATIONAL DESIGN REGISTRATION

(11) DM/68639
(73) OMEGA SA (OMEGA AG) (OMEGA LTD.)
Jakob-Stämpfli-Strasse 96, CH-2502 Biel/Bienne (CH)
(15) 2007 02 27
(24) 2007 02 27
(18) 2027 02 27
(28) 5
(28') 2
(54) Jewelry, particularly rings (1, 2, 4, 5) and pendant (3)

(11) DM/68820
(73) ADOLF WÜRTH GMBH & CO. KG
Reinhold-Würth-Straße 12-16, 74653 Künzelsau (DE)
(15) 2007 04 13
(24) 2007 04 13
(18) 2027 04 13
(28) 1
(28') 1
(54) Tool case

(11) DM/77618
(73) OMEGA SA (OMEGA AG) (OMEGA LTD.)
Jakob-Stämpfli-Strasse 96, CH-2502 Biel/Bienne (CH)
(15) 2012 02 02
(24) 2012 02 02

(18) 2027 02 02
(28) 2
(28') 2
(54) Watch case bottom, Wristwatch

(11) DM/77619
(73) OMEGA SA (OMEGA AG) (OMEGA LTD.)
Jakob-Stämpfli-Strasse 96, CH-2502 Biel/Bienne (CH)
(15) 2012 02 03
(24) 2012 02 03
(18) 2027 02 03
(28) 3
(28') 3
(54) Wristwatches

(11) DM/77713
(73) THE SWATCH GROUP MANAGEMENT SERVICES AG (THE SWATCH GROUP MANAGEMENT SERVICES SA) (THE SWATCH GROUP MANAGEMENT SERVICES LTD.)
Faubourg du Lac 6, CH-2502 Biel/Bienne (CH)
(15) 2012 02 14
(24) 2012 02 14
(18) 2027 02 14
(28) 4
(28') 4
(54) Wristwatches

(11) DM/77729
(73) MONTRES JAQUET DROZ SA (MONTRES JAQUET DROZ AG) (MONTRES JAQUET DROZ LTD.)
Allée du Tourbillon 2, CH-2300 La Chaux-de-Fonds (CH)
(15) 2012 02 16
(24) 2012 02 16
(18) 2027 02 16
(28) 17
(28') 16
(54) Bracelet clasp, Dials, Oscillating weight, Watch bracelets, Watch case background, Watch hand

(11) DM/77767
(73) SWATCH AG (SWATCH SA) (SWATCH LTD.)
Jakob-Stämpfli-Strasse 94, CH-2502 BIEL/BIENNE (CH)
(15) 2012 02 23
(24) 2012 02 23
(18) 2027 02 23
(28) 1
(28') 1
(54) Wristwatch

(11) DM/77768
(73) OMEGA SA (OMEGA AG) (OMEGA LTD.)
Jakob-Stämpfli-Strasse 96, CH-2502 Biel/Bienne (CH)
(15) 2012 02 23
(24) 2012 02 23
(18) 2027 02 23
(28) 8

(28') 8
(54) Earrings, Pendants, Rings

(11) DM/77775
(73) OMEGA SA (OMEGA AG) (OMEGA LTD.)
Jakob-Stämpfli-Strasse 96, CH-2502 Biel/Bienne (CH)
(15) 2012 02 24
(24) 2012 02 24
(18) 2027 02 24
(28) 3
(28') 3
(54) Cuff links

(11) DM/77776
(73) THE SWATCH GROUP MANAGEMENT SERVICES AG (THE SWATCH GROUP MANAGEMENT SERVICES SA) (THE SWATCH GROUP MANAGEMENT SERVICES LTD.)
Faubourg du Lac 6, CH-2502 Biel/Bienne (CH)
(15) 2012 02 24
(24) 2012 02 24
(18) 2027 02 24
(28) 3
(28') 3
(54) Wristwatches

(11) DM/77857
(73) MONTRES BREGUET S.A.
CH-1344 L'ABBAYE (CH)
(15) 2012 02 24
(24) 2012 02 24
(18) 2027 02 24
(28) 4
(28') 4
(54) Watches

(11) DM/94764
(73) BLANCPAIN SA
Le Rocher 12, CH-1348 LE BRASSUS (CH)
(15) 2017 02 14
(24) 2017 02 14
(18) 2027 02 14
(28) 3
(28') 2
(54) Dials, Watch

(11) DM/94818
(73) BALEV EOOD
Blvd. Vladislav Varnenchik No.256, BG-9009 Varna (BG);
BALEV CORPORATION EOOD
Blvd. Vladislav Varnenchik No.260, BG-9009 Varna (BG);
DIMITAR HRISTOV BALEV
Blvd. Vitosha No.137, apt. 17, BG-1408 Sofia (BG)
(15) 2017 02 07
(24) 2017 02 07
(18) 2027 02 07

(28) 1
(28') 1
(54) Air freshener [other than apparatus]

(11) DM/94927
(73) THE SWATCH GROUP MANAGEMENT SERVICES AG (THE SWATCH GROUP MANAGEMENT SERVICES SA) (THE SWATCH GROUP MANAGEMENT SERVICES LTD.)
Seevorstadt 6, CH-2502 BIEL/BIENNE (CH)
(15) 2017 02 17
(24) 2017 02 17
(18) 2027 02 17
(28) 7
(28') 7
(54) Watch, Wristwatches

(11) DM/94994
(73) GLASHÜTTER UHRENBETRIEB GMBH
Altenberger Straße 1, 01768 Glashütte (DE)
(15) 2017 02 17
(24) 2017 02 17
(18) 2027 02 17
(28) 3
(28') 1
(54) Watch dials

(11) DM/96547
(73) PEUGEOT CITROËN AUTOMOBILES SA
Route de Gisy, F-78140 VELIZY-VILLACOUBLAY (FR)
(15) 2017 01 31
(24) 2017 01 31
(18) 2027 01 31
(28) 3
(28') 3
(54) Motor cars

TRADEMARKS**EXTENSION OF TERMS OF TRADEMARKS REGISTRATION**

(111) M 2002 14356 R2 (156) 2002 03 27 (186) 2032 03 27 (732) LTD "Georgian Wine and Alcoholic Beverages Company" Vill. Achinebuli, 2200, Telavi, Georgia	1633 Broadway, New York, New York 10019, USA
(111) M 2002 14315 R2 (156) 2002 02 18 (186) 2032 02 18 (732) Showtime Networks Inc. 1633 Broadway, New York, New York 10019, USA	(111) M 2002 14321 R2 (156) 2002 02 18 (186) 2032 02 18 (732) Showtime Networks Inc. 1633 Broadway, New York, New York 10019, USA
(111) M 2002 14316 R2 (156) 2002 02 18 (186) 2032 02 18 (732) Showtime Networks Inc. 1633 Broadway, New York, New York 10019, USA	(111) M 2002 14322 R2 (156) 2002 02 18 (186) 2032 02 18 (732) Showtime Networks Inc. 1633 Broadway, New York, New York 10019, USA
(111) M 2002 14317 R2 (156) 2002 02 18 (186) 2032 02 18 (732) Showtime Networks Inc. 1633 Broadway, New York, New York 10019, USA	(111) M 2002 14323 R2 (156) 2002 02 18 (186) 2032 02 18 (732) Showtime Networks Inc. 1633 Broadway, New York, New York 10019, USA
(111) M 2002 14318 R2 (156) 2002 02 18 (186) 2032 02 18 (732) Showtime Networks Inc. 1633 Broadway, New York, New York 10019, USA	(111) M 2002 14324 R2 (156) 2002 02 18 (186) 2032 02 18 (732) Showtime Networks Inc. 1633 Broadway, New York, New York 10019, USA
(111) M 2002 14319 R2 (156) 2002 02 18 (186) 2032 02 18 (732) Showtime Networks Inc. 1633 Broadway, New York, New York 10019, USA	(111) M 2002 14325 R2 (156) 2002 02 18 (186) 2032 02 18 (732) Showtime Networks Inc. 1633 Broadway, New York, New York 10019, USA
(111) M 2002 14320 R2 (156) 2002 02 18 (186) 2032 02 18 (732) Showtime Networks Inc.	(111) M 2002 14326 R2 (156) 2002 02 18 (186) 2032 02 18 (732) Showtime Networks Inc. 1633 Broadway, New York, New York 10019, USA

(111) M 2002 14441 R2
(156) 2002 05 01
(186) 2032 05 01
(732) Stokely-Van Camp, Inc., an Indiana Corporation
700 Anderson Hill Road, Purchase, New York
10577, USA

(111) M 2002 14442 R2
(156) 2002 05 01
(186) 2032 05 01
(732) Stokely-Van Camp, Inc., an Indiana Corporation
700 Anderson Hill Road, Purchase, New York
10577, USA

(111) M 2002 14443 R2
(156) 2002 05 01
(186) 2032 05 01
(732) Stokely-Van Camp, Inc., an Indiana Corporation
700 Anderson Hill Road, Purchase, New York
10577, USA

(111) M 2002 14378 R2
(156) 2002 03 27
(186) 2032 03 27
(732) Genetics Institute, Llc
235 East 42nd Street, New York,
NY 10017, USA

(111) M 2002 14516 R2
(156) 2002 06 13
(186) 2032 06 13
(732) Carolina Herrera Ltd.
501 Seventh Avenue, 17th Floor, 10018
New York, USA

(111) M 2011 21716 R1
(156) 2011 08 23
(186) 2031 08 23
(732) Burger King Corporation
5505 Blue Lagoon Drive, Miami, Florida
33126, USA

(111) M 2011 21718 R1
(156) 2011 08 23
(186) 2031 08 23
(732) Burger King Corporation
5505 Blue Lagoon Drive, Miami, Florida
33126, USA

(111) M 2011 21719 R1
(156) 2011 08 23
(186) 2031 08 23
(732) Burger King Corporation
5505 Blue Lagoon Drive, Miami, Florida
33126, USA

(111) M 2012 22526 R1
(156) 2012 04 30
(186) 2032 04 30
(732) LTD "GM Pharmaceuticals"
Ristavi Highway 52, 0114, Tbilisi, Georgia

(111) M 2012 22210 R1
(156) 2012 01 18
(186) 2032 01 18
(732) Johnson & Johnson, a New Jersey Corporation
One Johnson & Johnson Plaza, New
Brunswick, New Jersey, 08933-7001, USA

(111) M 2012 22587 R1
(156) 2012 05 16
(186) 2032 05 16
(732) Pryvatne aktsionerne Tovarystvo "Mondelez
Ukraina"
vul. Naberezhna, 28A, Trostyanets, Sumaska
obl., 42600, Ukraine

(111) M 2012 22257 R1
(156) 2012 02 03
(186) 2032 02 03
(732) United Nations Children's Fund an
an International Inter-Governmental Organiza-
tion Part of the United Nations System
3 United Nations Plaza, City of New York,
State of New York 10017, USA

(111) M 2012 22408 R1
(156) 2012 03 16
(186) 2032 03 16
(732) Express LLC
1 Express Drive, Columbus, Ohaio
43230, USA

(111) M 2012 22349 R1
(156) 2012 02 24
(186) 2032 02 24
(732) Karsten Manufacturing Corporation
2201 West Desert Cove Phoenix, Arizona
85029, USA

(111) M 2012 22458 R1
 (156) 2012 04 05
 (186) 2032 04 05
 (732) Intercontinental Great Brands LLC
 100 Deforest Ave, East Hanover, NJ,
 07936, USA

(111) M 2012 22459 R1
 (156) 2012 04 05
 (186) 2032 04 05
 (732) Intercontinental Great Brands LLC
 100 Deforest Ave, East Hanover, NJ,
 07936, USA

(111) M 2012 22549 R1
 (156) 2012 04 30
 (186) 2032 04 30
 (732) Panasonic Corporation
 1006, Oaza Kadoma, Kadoma-Shi,
 Osaka 571-8501, Japan

(111) M 2012 22373 R1
 (156) 2012 02 24
 (186) 2032 02 24
 (732) AO "Danon Russia"
 Ul. Viatskaya, dom 27, bld. 13-14, 127015
 Moskow, Russian Federation

(111) M 2012 22607 R1
 (156) 2012 05 16
 (186) 2032 05 16
 (732) Intercontinental Great Brands LLC
 100 Deforest Ave, East Hanover, NJ,
 07936, USA

(111) M 2012 22481 R1
 (156) 2012 04 05
 (186) 2032 04 05
 (732) Rani Refreshments FZCO
 Office No. LB191306, Jebel All, Dubai,
 United Arab Emirates

(111) M 2012 22561 R1
 (156) 2012 04 30
 (186) 2032 04 30
 (732) Intercontinental Great Brands LLC
 100 Deforest Ave, East Hanover, NJ,
 07936, USA

(111) M 2012 22565 R1
 (156) 2012 04 30
 (186) 2032 04 30
 (732) Starbucks Corporation
 2401 Utah Avenue South, Seattle, Washington
 98134, USA

(111) M 2012 22671 R1
 (156) 2012 06 07
 (186) 2032 06 07
 (732) LTD "Lux 2004"
 Tevdore Mghvdeli Str. 53, 0154, Tbilisi,
 Georgia

(111) M 2012 22489 R1
 (156) 2012 04 05
 (186) 2032 04 05
 (732) JSC "Georgian Bank"
 Gagarin Str. 20a, 0160, Tbilisi, Georgia

(111) M 2012 22490 R1
 (156) 2012 04 05
 (186) 2032 04 05
 (732) JSC "Georgian Bank"
 Gagarin Str. 20a, 0160, Tbilisi, Georgia

(111) M 2012 22491 R1
 (156) 2012 04 05
 (186) 2032 04 05
 (732) JSC "Georgian Bank"
 Gagarin Str. 20a, 0160, Tbilisi, Georgia

(111) M 2012 22492 R1
 (156) 2012 04 05
 (186) 2032 04 05
 (732) JSC "Georgian Bank"
 Gagarin Str. 20a, 0160, Tbilisi, Georgia

(111) M 2012 22964 R1
 (156) 2012 09 24
 (186) 2032 09 24
 (732) Qatar Olympic Committee
 P.O. Box: 7494, Doha, Qatar

(111) M 2012 22741 R1
 (156) 2012 07 02
 (186) 2032 07 02
 (732) Ironwood Pharmaceuticals Inc.
 100 Summer Street, Suite 2300, Boston
 MA 02110, USA

(111) M 2012 23151 R1
(156) 2012 12 10
(186) 2032 12 10
(732) LTD "Tobi"
Rustaveli Ave. 40-40a, 0108, Tbilisi, Georgia

(111) M 2012 23114 R1
(156) 2012 11 29
(186) 2032 11 29
(732) LTD "Tobi"
Rustaveli Ave. 40-40a, 0108, Tbilisi, Georgia

(111) M 2012 23081 R1
(156) 2012 11 12
(186) 2032 11 12
(732) LTD "Tobi"
Rustaveli Ave. 40-40a, 0108, Tbilisi, Georgia

(111) M 2012 23133 R1
(156) 2012 11 29
(186) 2032 11 29
(732) LTD "Tobi"
Rustaveli Ave. 40-40a, 0108, Tbilisi, Georgia

(111) M 2012 22189 R1
(156) 2012 01 04
(186) 2032 01 04
(732) LTD "Intelcom Group"
Belinskiy Str. 39, 0108, Tbilisi, Georgia

(111) M 2012 22292 R1
(156) 2012 02 14
(186) 2032 02 14
(732) JSC "Georgian Bank"
Gagarin Str. 20a, 0160, Tbilisi, Georgia

(111) M 2012 22800 R1
(156) 2012 07 13
(186) 2032 07 13
(732) Ironwood Pharmaceuticals Inc.
100 Summer Street, Suite 2300, Boston
MA 02110, USA

(111) M 2012 22754 R1
(156) 2012 07 12
(186) 2032 07 12
(732) LTD "Tobi"
Rustaveli Ave. 40-40a, 0108, Tbilisi, Georgia

COMPLETE TRANSFER OF RIGHTS

(111) M 2021 34321 R
(732) Oddlygood Global Ltd
Meijeritie 6, FI-00370, Helsinki, Finland
(770) Valio Ltd
Meijeritie 6, Helsinki FI-00370, Finland
(580) 2022 02 07

P.O. Box 2915, Wilmington, Delaware
19805, USA
(580) 2022 02 18

(111) M 1998 9827 R
(732) Stada Arzneimittel AG
Stadashtrase 2-18, 61118 Bad Vilbel, Germany
(770) GlaxoSmithKline Consumer Healthcare (UK)
IP Limited
980 Great West Road, Brentford, Middlesex
TW8 9GS, United Kingdom
(580) 2022 02 17

(111) M 1999 12286 R
(732) DuPont Safety & Construction, Inc.
974 Centre Road, Wilmington, DE,
19805, USA
(770) E.I. Du Pont de Nemours and Company
1007 Market Street, Wilmington, Delaware
19898, USA
(580) 2022 02 18

(111) M 1999 12306 R
(732) DuPont Safety & Construction, Inc.
974 Centre Road, Wilmington, DE,
19805, USA
(770) E.I. du Pont de Nemours and Company
1007 Market Street, Wilmington, Delaware
19898, USA
(580) 2022 02 18

(111) M 2006 16653 R
(732) Khaled Al Mahamid
P.O. Box. 81450, Duba, Businessi, Biznes Bay,
Exchange Tower, 14th Floor, Office
1401-1407, United Arab Emirates
(770) Jamal Abdul Nasser Mahmood Al Mahamid
P.O. Box. 81450, Dubai, United Arab Emirates
(580) 2022 02 18

(111) M 2007 17601 R
(732) DuPont Safety & Construction, Inc.
974 Centre Road, Wilmington, DE,
19805, USA
(770) E.I. Du Pont de Nemours and Company
Chestnut Run Plaza. 974 Centre Road,

CHANGES OF NAMES AND/OR ADDRESSES OF TRADEMARKS OWNER

(111) M 2002 14441 R
(732) Stokely-Van Camp Inc.,
an Indiana Corporation
700 Anderson Hill Road, Purchase, New York
10577, USA
(770) Stokely-Van Camp Inc.,
an Indiana Corporation
555 West Monroe Street, Chicago, Illinois
60661-3716, USA
(580) 2022 02 10

(111) M 2002 14442 R
(732) Stokely-Van Camp Inc.,
an Indiana Corporation
700 Anderson Hill Road, Purchase, New York
10577, USA
(770) Stokely-Van Camp Inc.,
an Indiana Corporation
555 West Monroe Street, Chicago, Illinois
60661-3716, USA
(580) 2022 02 10

(111) M 2002 14443 R
(732) Stokely-Van Camp Inc.,
an Indiana Corporation
700 Anderson Hill Road, Purchase, New York
10577, USA
(770) Stokely-Van Camp Inc.,
an Indiana Corporation
555 West Monroe Street, Chicago, Illinois
60661-3716, USA
(580) 2022 02 10

(111) M 2002 14378 R
(732) Genetics Institute LLC
235 East 42nd Street, New York, NY
10017, USA
(770) Genetics Institute LLC
87, Cambridge Park Drive, Cambridge,
Massachusetts 02140, USA
(580) 2022 02 17

(111) M 2012 22526 R
(732) LTD "GM Pharmaceuticals"
Ristavi Highway 52, 0114, Tbilisi, Georgia
(770) LTD "G-M-P"
Zemo Vedzisi Str. 103, 0160, Tbilisi, Georgia
(580) 2022 02 18

(111) M 2011 22088 R
(732) Bausch Health Ireland Limited
3013 Lake Drive, Citywest Business Campus,
Dublin 24, Ireland
(770) Valeant Pharmaceuticals Ireland
3013 Lake Drive, Citywest Business Campus,
Dublin 24, Ireland
(580) 2022 01 13

(111) M 2012 22373 R
(732) JSC "Danon Russia"
Ul. Viatskaya, dom 27, bld. 13-14, 127015
Moskow, Russian Federation
(770) OJSC "Company Unimilk"
Ul. Viatskaya, dom 27, bld. 13-14, 127015
Moskow, Russian Federation
(580) 2022 02 17

(111) M 2012 22741 R
(732) Ironwood Pharmaceuticals Inc.
100 Summer Street, Suite 2300, Boston
MA 02110, USA
(770) Ironwood Pharmaceuticals Inc.
301 Binney Street Cambridge, MA,
02142, USA
(580) 2022 01 25

(111) M 2012 23151 R
(732) LTD "Tobi"
Rustaveli Ave. 40-40a, 0108, Tbilisi, Georgia
(770) LTD "Tobi"
Rustaveli Ave. 40-40a, 0108, Tbilisi, Georgia
(580) 2022 02 14

(111) M 2012 23114 R
(732) LTD "Tobi"
Rustaveli Ave. 40-40a, 0108, Tbilisi, Georgia
(770) LTD "Tobi"
Rustaveli Ave. 40-40a, 0108, Tbilisi, Georgia
(580) 2022 02 14

(111) M 2012 23081 R
(732) LTD "Tobi"
Rustaveli Ave. 40-40a, 0108, Tbilisi, Georgia
(770) LTD "Tobi"
Rustaveli Ave. 40-40a, 0108, Tbilisi, Georgia
(580) 2022 02 14

(111) M 2012 23133 R
(732) LTD "Tobi"
Rustaveli Ave. 40-40a, 0108, Tbilisi, Georgia
(770) LTD "Tobi"
Rustaveli Ave. 40-40a, 0108, Tbilisi, Georgia
(580) 2022 02 14

(111) M 2012 22800 R
(732) Ironwood Pharmaceuticals Inc.
100 Summer Street, Suite 2300, Boston
MA 02110, USA
(770) Ironwood Pharmaceuticals Inc.
301 Binney Street Cambridge, MA,
02142, USA
(580) 2022 01 25

(111) M 2012 22754 R
(732) LTD "Tobi"
Rustaveli Ave. 40-40a, 0108, Tbilisi, Georgia
(770) LTD "Tobi"
Rustaveli Ave. 40-40a, 0108, Tbilisi, Georgia
(580) 2022 02 13

CANCELLATION OF TRADEMARKS REGISTRATION

(111) M 2011 21692 R
(151) 2011 08 23
(732) Mikheil Akhvlediani
Orbeliani Str. 38, 0105, Tbilisi, Georgia
(141) 2022 03 04

(111) M 2011 21693 R
(151) 2011 08 23
(732) Giorgi Abesadze
Kakabeti Str. 62, 0148, Tbilisi, Georgia
(141) 2022 03 04

(111) M 2011 21697 R
(151) 2011 08 23
(732) Soso Nadareishvili
Paliashvili Str. 72, app. 50, 0162, Tbilisi,
Georgia
(141) 2022 03 04

(111) M 2011 21698 R
(151) 2011 08 23
(732) LTD "Geoplant"
Vill. Rukhi, 2100, Zugdidi Region, Georgia
(141) 2022 03 04

(111) M 2011 21699 R
(151) 2011 08 23
(732) Bilim Ilac Sanayi ve Ticaret A.S.
Ayazağa Köyü Yolu No:6, TR-34398 Maslak,
İstanbul, Turkey
(141) 2022 03 04

(111) M 2011 21700 R
(151) 2011 08 23
(732) Bilim Ilac Sanayi ve Ticaret A.S.
Ayazağa Köyü Yolu No:6, TR-34398 Maslak,
İstanbul, Turkey
(141) 2022 03 04

(111) M 2011 21702 R
(151) 2011 08 23
(732) Bilim Ilac Sanayi ve Ticaret A.S.
Ayazağa Köyü Yolu No:6, TR-34398 Maslak,
İstanbul, Turkey
(141) 2022 03 04

(111) M 2011 21703 R
(151) 2011 08 23
(732) Bilim Ilac Sanayi ve Ticaret A.S.
Ayazağa Köyü Yolu No:6, TR-34398 Maslak,
İstanbul, Turkey
(141) 2022 03 04

(111) M 2011 21704 R
(151) 2011 08 23
(732) Bilim Ilac Sanayi ve Ticaret A.S.
Ayazağa Köyü Yolu No:6, TR-34398 Maslak,
İstanbul, Turkey
(141) 2022 03 04

(111) M 2011 21705 R
(151) 2011 08 23
(732) Bilim Ilac Sanayi ve Ticaret A.S.
Ayazağa Köyü Yolu No:6, TR-34398 Maslak,
İstanbul, Turkey
(141) 2022 03 04

(111) M 2011 21706 R
(151) 2011 08 23
(732) Bilim Ilac Sanayi ve Ticaret A.S.
Ayazağa Köyü Yolu No:6, TR-34398 Maslak,
İstanbul, Turkey
(141) 2022 03 04

(111) M 2011 21728 R
(151) 2011 08 23
(732) Bilim Ilac Sanayi ve Ticaret A.S.
Ayazağa Köyü Yolu No:6, TR-34398 Maslak,
İstanbul, Turkey
(141) 2022 03 04

(111) M 2011 21707 R
(151) 2011 08 23
(732) Bilim Ilac Sanayi ve Ticaret A.S.
Ayazağa Köyü Yolu No:6, TR-34398 Maslak,
İstanbul, Turkey
(141) 2022 03 04

(111) M 2011 21708 R
(151) 2011 08 23
(732) Bilim Ilac Sanayi ve Ticaret A.S.
Ayazağa Köyü Yolu No:6, TR-34398 Maslak,
İstanbul, Turkey
(141) 2022 03 04

(111) M 2011 21711 R
(151) 2011 08 23
(732) BASF SE
Carl-Bosch-Strasse 38, Ludwigshafen
am Rhein, Germany
(141) 2022 03 04

(111) M 2011 21690 R
(151) 2011 08 23
(732) LTD "FINKEL"
Paliashvili Str. 16, app. 7, 0179, Tbilisi,
Georgia
(141) 2022 03 04

(111) M 2011 21712 R
(151) 2011 08 23
(732) Allied Global Tobacco Limited
Wey Court West, Union Road, Farnham,
GU9 7PT Surrey, United Kingdom
(141) 2022 03 04

(111) M 2011 21713 R
(151) 2011 08 23
(732) Himalaya Global Holdings Ltd.
106 Elizabethen Squeare, P.O. Box 1162,
Grand Cayman KY1-1102, Cayman Islands
(141) 2022 03 04

(111) M 2011 21686 R
(151) 2011 08 11
(732) Harrington Development Inc.
Elvira Mendez Street, Vallarino bldg.,
3rd Floor, Panama, Republic of Panama
(141) 2022 02 22

(111) M 2011 21687 R
(151) 2011 08 11
(732) Harrington Development Inc.
Elvira Mendez Street, Vallarino bldg.,
3rd Floor, Panama, Republic of Panama
(141) 2022 02 22

(111) M 2011 21688 R
(151) 2011 08 11
(732) LTD "Standard Tobacco Incorporated"
Abuseridze-Tbeli Str. 13, 0120, Tbilisi,
Georgia
(141) 2022 02 22

(111) M 2011 21689 R
(151) 2011 08 23
(732) LTD "FINKEL"
Paliashvili Str. 16, app. 7, 0179, Tbilisi,
Georgia
(141) 2022 03 04

INTERNATIONAL LICENSES AGREEMENTS

(800) 1438380
(732) DD IP Holder LLC
P.O. Box 9141, Canton MA 02021, USA
(791) DD Franchising LLC
P.O. Box 9141, Canton MA 02021, USA
(793) №1695
Simple
From 26 08 2021 expiration of time MFA
Class: 29, 30, 32, 43

(800) 1439413
(732) DD IP Holder LLC
PO Box 9141, Canton MA 02021, USA
(791) DD Franchising LLC
P.O. Box 9141, Canton MA 02021, USA
(793) №1694
From 26 08 2021 expiration of time MFA
Class: 29, 30, 32, 43

(800) 1400643
(732) DD IP Holder LLC
P.O. Box 9141, Canton MA 02021, USA
(791) DD Franchising LLC
P.O. Box 9141, Canton MA 02021, USA
02021, USA
(793) №1693
Simple
From 26 08 2021 expiration of time MFA
Class: 29, 30, 32, 43

(800) 1403126
(732) DD IP Holder LLC
P.O. Box 9141, Canton MA 02021, USA
(791) DD Franchising LLC
P.O. Box 9141, Canton MA 02021, USA
(793) №1696
Simple
From 26 08 2021 expiration of time MFA
Class: 29, 30, 32, 43

(800) 1412911
(732) VTB Bank (Public Joint-Stock Company)
ul. Bolshaya Morskaya, 29, RU-190000
St.-Petersburg, Russian Federation
(791) JSC "VTB Bank of Georgia"
G. Chanturia Str., Tbilisi, Georgia
(793) №1692
Nonexclusive
From 17 02 2021 to 31 12 2023
Class: 36

CLASSIFICATION INDEXES

INVENTIONS

CONCORDANCE TABLE OF INTERNATIONAL CLASSIFICATION INDEX AND PUBLICATION NUMBERS

INTERNATIONAL CLASSIFICATION INDEXES (51)	NUMBER OF PUBLISHED APPLICATION (10)
A 61 K 39/095; C 08 B 37/00; C 08 H 1/00; C 08 L 5/00	AP 2022 15229 A
B 64 D 27/10; F 02 K 3/77	AP 2022 15579 A
E 03 B 1/00	AP 2022 15559 A

CONCORDANCE TABLE OF PUBLICATION NUMBERS AND INTERNATIONAL CLASSIFICATION INDEX

NUMBER OF PUBLISHED APPLICATION (10)	INTERNATIONAL CLASSIFICATION INDEXES (51)
AP 2022 15229 A	A 61 K 39/095; C 08 B 37/00; C 08 H 1/00; C 08 L 5/00
AP 2022 15559 A	E 03 B 1/00
AP 2022 15579 A	B 64 D 27/10; F 02 K 3/77

CONCORDANCE TABLE OF INTERNATIONAL CLASSIFICATION INDEX, PATENT NUMBERS AND PUBLICATION NUMBERS

INTERNATIONAL CLASSIFICATION INDEX (51)	NUMBER OF PATENT (11)	NUMBER OF PUBLISHED APPLICATION (10)
A 01 K 61/00	P 2022 7363 B	AP 2021 15380 A
A 23 L 33/105; A 61 Q 19/08	P 2022 7360 B	AP 2021 15237 A
A 61 K 31/519; A 61 K 31/53; A 61 P 35/00; C 07 D 471/04; C 07 D 487/04	P 2022 7359 B	AP 2021 15385 A
B 65 D 85/10	P 2022 7362 B	AP 2021 15628 A
E 02 B 9/04	P 2022 7361 B	AP 2021 15582 A

**CONCORDANCE TABLE OF PATENT NUMBERS,
PUBLICATION NUMBERS AND INTERNATIONAL CLASSIFICATION INDEX**

NUMBER OF PATENT (11)	NUMBER OF PUBLISHED APPLICATION (10)	INTERNATIONAL CLASSIFICATION INDEX (51)
P 2022 7359 B	AP 2021 15385 A	A 61 K 31/519; A 61 K 31/53; A 61 P 35/00; C 07 D 471/04; C 07 D 487/04
P 2022 7360 B	AP 2021 15237 A	A 23 L 33/105; A 61 Q 19/08
P 2022 7361 B	AP 2021 15582 A	E 02 B 9/04
P 2022 7362 B	AP 2021 15628 A	B 65 D 85/10
P 2022 7363 B	AP 2021 15380 A	A 01 K 61/00

**CONCORDANCE TABLE OF APPLICATION NUMBERS,
PUBLICATION NUMBERS AND PATENTS**

NUMBER OF APPLICATION (21)	NUMBER OF PUBLISHED APPLICATION (10)	NUMBER OF PATENT (11)
AP 2017 15237	AP 2021 15237 A	P 2022 7360 B
AP 2020 15380	AP 2021 15380 A	P 2022 7363 B
AP 2018 15385	AP 2021 15385 A	P 2022 7359 B
AP 2021 15582	AP 2021 15582 A	P 2022 7361 B
AP 2021 15628	AP 2021 15628 A	P 2022 7362 B

UTILITY MODELS

**CONCORDANCE TABLE OF INTERNATIONAL CLASSIFICATION INDEX
AND PUBLICATION NUMBERS**

INTERNATIONAL CLASSIFICATION INDEXES (51)	NUMBER OF PUBLISHED APPLICATION (10)
A 61 L 2/16	AU 2022 15637 U
F 01 K 23/10	AU 2022 15699 U
F 03 D 5/00	AU 2022 15519 U

**CONCORDANCE TABLE OF PUBLICATION NUMBERS
AND INTERNATIONAL CLASSIFICATION INDEX**

NUMBER OF PUBLISHED APPLICATION (10)	INTERNATIONAL CLASSIFICATION INDEXES (51)
AU 2022 15519 U	F 03 D 5/00
AU 2022 15637 U	A 61 L 2/16
AU 2022 15699 U	F 01 K 23/10

**CONCORDANCE TABLE OF INTERNATIONAL CLASSIFICATION INDEX,
PATENT NUMBERS AND PUBLICATION NUMBERS**

INTERNATIONAL CLASSIFICATION INDEX (51)	NUMBER OF PATENT (11)	NUMBER OF PUBLISHED APPLICATION (10)
C 12 G 3/025	U 2022 2111 Y	AU 2021 15359 U

**CONCORDANCE TABLE OF PATENT NUMBERS,
PUBLICATION NUMBERS AND INTERNATIONAL CLASSIFICATION INDEX**

NUMBER OF PATENT (11)	NUMBER OF PUBLISHED APPLICATION (10)	INTERNATIONAL CLASSIFICATION INDEX (51)
U 2022 2111 Y	AU 2021 15359 U	C 12 G 3/025

**CONCORDANCE TABLE OF APPLICATION NUMBERS,
PUBLICATION NUMBERS AND PATENTS**

NUMBER OF APPLICATION (21)	NUMBER OF PUBLISHED APPLICATION (10)	NUMBER OF PATENT (11)
AU 2020 15359	AU 2021 15359 U	U 2022 2111 Y

DESIGNS

**CONCORDANCE TABLE OF INTERNATIONAL CLASSIFICATION INDEX
AND PUBLICATION NUMBERS**

INTERNATIONAL CLASSIFICATION INDEXES (51)	NUMBER OF PUBLISHED APPLICATION (10)
01-01	AD 2022 1248 S
32-00	AD 2022 1250 S

**CONCORDANCE TABLE OF PUBLICATION NUMBERS
AND INTERNATIONAL CLASSIFICATION INDEX**

NUMBER OF PUBLISHED APPLICATION (10)	INTERNATIONAL CLASSIFICATION INDEXES (51)
AD 2022 1248 S	01-01
AD 2022 1250 S	32-00

CONCORDANCE TABLE OF INTERNATIONAL CLASSIFICATION INDEX,
NUMBERS OF REGISTRATION AND PUBLICATION NUMBERS

INTERNATIONAL CLASSIFICATION INDEX (51)	NUMBER OF REGISTRATION (11)	NUMBER OF PUBLISHED APPLICATION (10)
15-07	D 2022 924 S	AD 2021 1237 S
20-02	D 2022 925 S	AD 2021 1221 S

CONCORDANCE TABLE OF NUMBERS OF REGISTRATION,
PUBLICATION NUMBERS AND INTERNATIONAL CLASSIFICATION INDEX

NUMBER OF REGISTRATION (11)	NUMBER OF PUBLISHED APPLICATION (10)	INTERNATIONAL CLASSIFICATION INDEX (51)
D 2022 924 S	AD 2021 1237 S	15-07
D 2022 925 S	AD 2021 1221 S	20-02

CONCORDANCE TABLE OF APPLICATION NUMBERS,
PUBLICATION NUMBERS AND NUMBERS OF REGISTRATION

NUMBER OF APPLICATION (21)	NUMBER OF PUBLISHED APPLICATION (10)	NUMBER OF REGISTRATION (11)
AD 2021 1221	AD 2021 1221 S	D 2022 925 S
AD 2021 1237	AD 2021 1237 S	D 2022 924 S

TRADEMARKS

CONCORDANCE TABLE OF REGISTRATION NUMBERS, APPLICATION NUMBERS, PUBLICATION NUMBERS AND BULLETIN NUMBERS

NUMBER OF REGISTRATION (111)	NUMBER OF APPLICATIONS (210)	NUMBER OF PUBLISHED APPLICATIONS (260)	NUMBER OF BULLETIN
M 2022 35108 R	AM 116643	–	5(584)2022
M 2022 35109 R	AM 116641	–	5(584)2022
M 2022 35110 R	AM 98569	AM 2021 98569 A	16(572)2021
M 2022 35111 R	AM 116734	–	5(584)2022
M 2022 35112 R	AM 98568	AM 2021 98568 A	16(572)2021
M 2022 35113 R	AM 116664	–	5(584)2022
M 2022 35114 R	AM 116668	–	5(584)2022
M 2022 35115 R	AM 116736	–	5(584)2022
M 2022 35116 R	AM 116658	–	5(584)2022
M 2022 35117 R	AM 116524	–	5(584)2022
M 2022 35118 R	AM 116763	–	5(584)2022

CONCORDANCE TABLE OF PUBLICATION NUMBERS AND APPLICATION NUMBERS

NUMBER OF PUBLISHED APPLICATION (260)	NUMBER OF APPLICATION (210)	1	2
1	2	AM 2022 114045 A	AM 114045
		AM 2022 114046 A	AM 114046
		AM 2022 114047 A	AM 114047
		AM 2022 114051 A	AM 114051
		AM 2022 114053 A	AM 114053
		AM 2022 114054 A	AM 114054
		AM 2022 114132 A	AM 114132
		AM 2022 114137 A	AM 114137
		AM 2022 114138 A	AM 114138
		AM 2022 114139 A	AM 114139
		AM 2022 114142 A	AM 114142
		AM 2022 114219 A	AM 114219
		AM 2022 114220 A	AM 114220
		AM 2022 114227 A	AM 114227
		AM 2022 114228 A	AM 114228
		AM 2022 114230 A	AM 114230
		AM 2022 114325 A	AM 114325
		AM 2022 114326 A	AM 114326
		AM 2022 114327 A	AM 114327
		AM 2022 114331 A	AM 114331
		AM 2022 114332 A	AM 114332
		AM 2022 114336 A	AM 114336
		AM 2022 114343 A	AM 114343
		AM 2022 114399 A	AM 114399
		AM 2022 114413 A	AM 114413
		AM 2022 114423 A	AM 114423
AM 2022 85823 A*	AM 85823		
AM 2022 110126 A	AM 110126		
AM 2022 110210 A	AM 110210		
AM 2022 110377 A	AM 110377		
AM 2022 112675 A	AM 112675		
AM 2022 113219 A	AM 113219		
AM 2022 113375 A	AM 113375		
AM 2022 113780 A	AM 113780		
AM 2022 113879 A	AM 113879		
AM 2022 113978 A	AM 113978		
AM 2022 113984 A	AM 113984		
AM 2022 113994 A	AM 113994		
AM 2022 113995 A	AM 113995		
AM 2022 113996 A	AM 113996		
AM 2022 113997 A	AM 113997		
AM 2022 113998 A	AM 113998		
AM 2022 114029 A	AM 114029		
AM 2022 114033 A	AM 114033		
AM 2022 114040 A	AM 114040		
AM 2022 114041 A	AM 114041		
AM 2022 114043 A	AM 114043		

CONCORDANCE TABLE OF INDEX OF GOODS AND/OR SERVICES
AND APPLICATION NUMBERS

INDEX OF GOODS AND/OR SERVICES (511)	NUMBER OF PUBLISHED APPLICATIONS (260)	1	2
1	2		
3	AM 2022 110377 A	29	AM 2022 114047 A
3	AM 2022 113996 A	29	AM 2022 114132 A
3	AM 2022 113998 A	30	AM 2022 114045 A
3	AM 2022 114045 A	30	AM 2022 114046 A
3	AM 2022 114046 A	30	AM 2022 114047 A
3	AM 2022 114047 A	30	AM 2022 114132 A
3	AM 2022 114132 A	30	AM 2022 114336 A
3	AM 2022 114219 A	30	AM 2022 114399 A
5	AM 2022 114132 A	31	AM 2022 85823 A*
5	AM 2022 114139 A	31	AM 2022 113984 A
5	AM 2022 114228 A	31	AM 2022 114045 A
9	AM 2022 114033 A	31	AM 2022 114046 A
9	AM 2022 114325 A	31	AM 2022 114047 A
9	AM 2022 114326 A	31	AM 2022 114132 A
12	AM 2022 113978 A	32	AM 2022 85823 A*
12	AM 2022 114029 A	32	AM 2022 113984 A
14	AM 2022 110377 A	32	AM 2022 113996 A
14	AM 2022 114045 A	32	AM 2022 114045 A
14	AM 2022 114046 A	32	AM 2022 114046 A
14	AM 2022 114047 A	32	AM 2022 114047 A
16	AM 2022 114045 A	32	AM 2022 114132 A
16	AM 2022 114046 A	32	AM 2022 114227 A
16	AM 2022 114047 A	32	AM 2022 114228 A
18	AM 2022 114045 A	33	AM 2022 85823 A*
18	AM 2022 114046 A	33	AM 2022 110126 A
18	AM 2022 114047 A	33	AM 2022 113219 A
20	AM 2022 114045 A	33	AM 2022 113879 A
20	AM 2022 114046 A	33	AM 2022 113984 A
20	AM 2022 114047 A	33	AM 2022 113996 A
21	AM 2022 114045 A	33	AM 2022 114043 A
21	AM 2022 114046 A	33	AM 2022 114045 A
21	AM 2022 114047 A	33	AM 2022 114046 A
25	AM 2022 113994 A	33	AM 2022 114047 A
25	AM 2022 113995 A	33	AM 2022 114132 A
25	AM 2022 113996 A	33	AM 2022 114137 A
25	AM 2022 113997 A	33	AM 2022 114138 A
25	AM 2022 114045 A	33	AM 2022 114230 A
25	AM 2022 114046 A	33	AM 2022 114327 A
25	AM 2022 114047 A	33	AM 2022 114331 A
28	AM 2022 114051 A	34	AM 2022 112675 A
28	AM 2022 114053 A	34	AM 2022 113375 A
28	AM 2022 114054 A	34	AM 2022 114041 A
29	AM 2022 85823 A*	34	AM 2022 114142 A
29	AM 2022 113984 A	35	AM 2022 85823 A*
29	AM 2022 114045 A	35	AM 2022 110210 A
29	AM 2022 114046 A	35	AM 2022 113780 A
		35	AM 2022 113984 A
		35	AM 2022 113996 A
		35	AM 2022 114045 A
		35	AM 2022 114046 A

1	2
35	AM 2022 114047 A
35	AM 2022 114132 A
35	AM 2022 114227 A
35	AM 2022 114228 A
35	AM 2022 114327 A
35	AM 2022 114336 A
35	AM 2022 114413 A
35	AM 2022 114423 A
36	AM 2022 114343 A
39	AM 2022 110210 A

1	2
39	AM 2022 113978 A
41	AM 2022 113984 A
41	AM 2022 114332 A
42	AM 2022 110210 A
42	AM 2022 113984 A
43	AM 2022 85823 A*
43	AM 2022 113996 A
43	AM 2022 114220 A
44	AM 2022 113984 A
44	AM 2022 114040 A

CONCORDANCE TABLE OF INDEX OF GOODS AND/OR SERVICES
AND NUMBERS OF TRADEMARKS REGISTERED ACCORDING
TO THE ACCELERATED PROCEDURE

INDEX OF GOODS AND/OR SERVICES (511)	NUMBERS OF REGISTERED ACCORDING TO THE ACCELERATED PROCEDURE (111)
5	M 2022 35109 R
7	M 2022 35116 R
9	M 2022 35116 R
11	M 2022 35116 R
14	M 2022 35111 R
16	M 2022 35113 R
18	M 2022 35111 R
20	M 2022 35111 R
25	M 2022 35111 R
25	M 2022 35113 R
25	M 2022 35114 R
28	M 2022 35113 R
28	M 2022 35114 R
33	M 2022 35108 R
35	M 2022 35113 R
35	M 2022 35117 R
39	M 2022 35113 R
41	M 2022 35113 R
41	M 2022 35115 R
43	M 2022 35118 R
44	M 2022 35117 R

OFFICIAL BULLETIN OF THE INDUSTRIAL PROPERTY

INVENTIONS
UTILITY MODELS
DESIGNS
TRADEMARKS

5(584)

EDITOR-IN-CHIEF: N. Bebrishvili

EDITOR-TRANSLATOR: E. Gabunia

PROOFREADER: A. Shikhashvili

COMPUTER LAYOUT: M. Ordenidze
K. Svanidze

info@sakpatenti.gov.ge
www.sakpatenti.gov.ge