



# Official Bulletin of the Industrial Property

Inventions

Utility Models

Designs

Trademarks



საქართველოს ინტელექტუალური  
საკუთრების ეროვნული ცენტრი  
**საქპატენტი**  
**SAKPATENTI**  
NATIONAL INTELLECTUAL PROPERTY  
CENTER OF GEORGIA

# INID CODES FOR IDENTIFICATION OF BIBLIOGRAPHIC DATA

## INVENTIONS, UTILITY MODELS

- (10) Number of publication of examined application/  
Application publication number\*\*\*
- (11) Patent number/ Patent number\*\*\*  
Registered utility model number\*\*\*
- (21) Application number
- (22) Date of filing of the application
- (23) Date of exhibition priority
- (24) Date from which patent may have effect
- (31) Number of priority application
- (32) Date of filing of priority application
- (33) Code of the country or regional organization allotting application number
- (43) Date of publication of application, number of bulletin\*\*\*
- (44) Date of publication of examined application, on which no grant has taken place and number of bulletin
- (45) Date of publication of patent/ Date of publication of patent\*\*\*  
Date of publication of registered utility model\*\*\*
- (51) International Patent Classification Index
- (54) Title of the invention/title of the utility model
- (57) Abstract
- (60) Number of examined patent document granted by foreign patent office, date from which patent has effect and country code
- (62) Number and filing date of the earlier application in case of a divisional application
- (71) Name and address of applicant (country code)
- (72) Name of inventor (country code)
- (73) Name and address of patent owner/patent owner\*\*\*/ registered utility model owner\*\*\* (country code)
- (74) Name of representative or patent attorney
- (85) Date of commencement of the national phase of international application (PCT)
- (86) Number and date of filing of international application (PCT)
- (87) Number and date of publication of international application (PCT)
- (94) Calculated date of expiry of the SPC or the duration of the SPC

## DESIGNS

- (10) Number of publication for application
- (11) Number of patent and kind of document or number of registration
- (15) Date of registration/Date of patent renewal
- (18) Expected expiration date of patent or registration
- (21) Serial number of application
- (22) Date of filing of the application
- (23) Date of exhibition or the date of the earlier filing and the number of application, if any
- (24) Date from which patent may have effect
- (28) Number of designs included in the application
- (30) Data relating to priority (number of application, date of filing of application, two-letter code identifying the authority with whom the priority application was made)
- (31) Number of priority application
- (32) Date of filing of priority application
- (33) Code of the country or regional organization allotting priority application number
- (34) Two-letter code according to WIPO St.3 identifying the authority with which the priority application was made
- (44) Date of publication of design and number of bulletin (the first publication)
- (45) Date of publication of design registered by WIPO and number of bulletin
- (51) International Classification for designs (class and subclass of the Locarno Classification)
- (54) Title of the invention
- (55) Reproduction of the design
- (57) Description of characteristic features of the design including indication of colors
- (58) Date of recording of any kind of amendment in the Register
- (62) Number of the earlier application, registration and document number and if available the date of filing an application in case of divided application
- (71) Name, surname and address of applicant (country code)
- (72) Name, surname of creator (country code)
- (73) Name, surname and address of patent owner (country code)
- (74) Name, surname of representative or patent attorney
- (81) Contracting states concerned  
II designated contracting states according to the 1960 Act  
III designated contracting states according to the 1999 Act
- (85) Owner's permanent address
- (86) Owner's nationality
- (87) Owner's residence
- (88) State in which the owner has a real and effective industrial or commercial establishment

## TRADEMARKS

- (111) – Number of registration
- (151) – Date of registration
- (156) – Date of the renewal
- (181) – Expected expiration date of registration
- (186) – Renewal expiration date of registration
- (141) – Date of cancel of duration of the mark
- (210) – Serial number of application
- (220) – Date of filing of the application
- (230) – Data concerning exhibition
- (260) – Number of application, for which favorable decision of examination about registration has been taken (publication number)
- (310) – Number of the first application
- (320) – Date of filing of the first application
- (330) – Code, identifying national or regional Office where the first application was made
- (511) – International Classification of Goods and Services for the purposes of registration of trade marks and/or list of goods and/or services classified according thereto
- (526) – Disclaimer
- (531) – Description of figurative elements of Trade Marks according to the International Classification of the Figurative Elements of Marks
- (540) – Reproduction of Trade Mark
- (550) – Nature and kind of Trade Mark
- (551) – Indication to the effect that the mark is a collective mark, a certification mark or a guarantee mark
- (554) – Three-dimensional mark
- (580) – Date of recording of any kind changes in respect of applications or registrations
- (591) – Information concerning colors claimed
- (731) – Name and address of the applicant
- (732) – Name and address of the holder of the registration
- (740) – Name and address of the representative
- (750) – Addreses for correspondence
- (770) – Name and address of the previous applicant or holder in case of change in ownership
- (771) – Previous name and address of the applicant or holder in case of change in ownership
- (791) – Name and address of the licensee
- (793) – Indication of conditions and/or restrictions under the license (Type of license, number of license agreement, data of license, data of validity of license)
- (800) – Certain data relating to the international registration of Trade Marks under the Protocol Relating to Madrid Agreement (International registration number
- (852) – Partial cancellation of the list of goods and services
- (891) – Date of subsequent designation

## CODES FOR PUBLICATION IN BULLETIN

- (21) AP 0000 000000 – number of application for invention
- (10) AP 0000 0000 A – number of publication of application for invention
- (11) P 0000 0000 B – number of patent for invention/ patent number\*\*\*
- (21) API 0000 000000 – number of application for imported patent
- (11) PI 0000 0000 A – number of imported patent
- (21) AU 0000 000000 – number of application for utility model
- (10) AU 0000 000 U – number of publication of application for utility model
- (11) U 0000 000 Y – number of patent for utility model/ registered utility model number\*\*\*
- (21) AD 0000 000000 – serial number of application for design
- (10) AD 0000 000 S – number of published application for design (first publication)
- (11) D 0000 000 S – registered design

## INTERNATIONAL PATENT CLASSIFICATION FOR INVENTIONS AND UTILITY MODELS

- SECTION A – HUMAN NECESSITIES
- SECTION B – PERFORMING OPERATIONS; TRANSPORTING
- SECTION C – CHEMISTRY; METALLURGY
- SECTION D – TEXTILES; PAPER
- SECTION E – FIXED CONSTRUCTIONS
- SECTION F – MECHANICAL ENGINEERING; LIGHTING; HEATING; WEAPONS; BLASTING
- SECTION G – PHYSICS
- SECTION H – ELECTRICITY

\* Number of application published after the decision of Appellation Chamber of SAKPATENTI

\*\* Number of application published after Court decision

\*\*\* Materials published according to the amendments of May 16, 2023 (No. 2883-XI0b-X03) to the Patent Law of Georgia

- M – Trade Mark
- (210) AM 0000 000000 – Serial number of application;
- (260) AAM 0000 00000 A – Publication number of application;
- (111) M 0000 00000 R – Number of registration;
- (111) MMM0000 00000 Rn – Number of renewals, in which n=1,2,3;
- (111) M 0000 00000 R(P) – Number of registration under partial assignment of rights

# **Official Bulletin of the Industrial Property**

Inventions

Utility Models

Designs

Trademarks

# CONTENT

<b>PUBLISHED TITLES OF PROTECTION</b> .....	2
<b>INVENTIONS</b>	
▪ APPLICATIONS APPROVED FOR GRANTING PATENT .....	4
▪ PATENTED INVENTIONS .....	6
▪ APPLICATIONS*** .....	9
▪ PATENT*** .....	11
<b>UTILITY MODELS</b>	
▪ APPLICATION*** .....	12
▪ REGISTERED UTILITY MODEL*** .....	13
<b>DESIGNS</b>	
▪ APPLICATIONS APPROVED FOR REGISTRATION .....	14
▪ REGISTERED DESIGNS .....	19
▪ DESIGN REGISTERED ACCORDING TO THE ACCELERATED PROCEDURE .....	20
▪ DESIGNS, WHICH HAVE BEEN REGISTERED WITH THE INTERNATIONAL BUREAU CLAIMING PRIORITY ON THE TERRITORY OF GEORGIA .....	21
<b>TRADEMARKS</b>	
▪ APPLICATIONS FILED UNDER THE NATIONAL PROCEDURE APPROVED FOR REGISTRATION .....	41
▪ REGISTERED TRADEMARKS .....	53
▪ TRADEMARKS REGISTERED ACCORDING TO THE ACCELERATED PROCEDURE .....	56
▪ INTERNATIONAL TRADEMARKS FOR WHICH A DECISION ON GRANTING PROTECTION IS TAKEN .....	60
▪ INTERNATIONAL TRADEMARKS PROTECTED IN GEORGIA .....	192
<b>OFFICIAL NOTIFICATION</b>	
<b>INVENTIONS</b>	
▪ RESTORATION OF PATENTS .....	200
▪ LAPSE OF PATENTS WITH THE RIGHT TO RESTORE .....	200
▪ CHANGE OF NAME AND/OR ADDRESS OF PATENTOWNER .....	202
<b>UTILITY MODELS</b>	
▪ LAPSE OF PATENTS WITH THE RIGHT TO RESTORE .....	203
<b>DESIGNS</b>	
▪ EXTENSION OF TERM OF DESIGN REGISTRATION .....	204
▪ CANCELLATION OF DESIGNS REGISTRATION .....	204
▪ EXTENSION OF TERM OF INTERNATIONAL DESIGNS REGISTRATION .....	205
▪ CANCELLATION OF INTERNATIONAL DESIGNS REGISTRATION .....	214
<b>TRADEMARKS</b>	
▪ EXTENSION OF TERM OF TRADEMARKS REGISTRATION .....	216
▪ COMPLETE TRANSFER OF RIGHTS .....	219
▪ CHANGES OF NAME AND/OR ADDRESS OF TRADEMARKS OWNERS .....	221
▪ CANCELLATION OF TRADEMARKS REGISTRATION .....	223
<b>CLASSIFICATION INDEXES</b>	
INVENTIONS .....	226
UTILITY MODELS .....	229
DESIGNS .....	230
TRADEMARKS .....	232

## PUBLISHED TITLES OF PROTECTION

### INVENTIONS

- **APPLICATIONS APPROVED FOR GRANTING PATENT:**  
15849; 15821; 15619; 15955; 15502
- **PATENTED INVENTIONS:**  
7605-7612
- **APPLICATIONS:** \*\*\*  
16379; 16336
- **PATENT:** \*\*\*  
7613

### UTILITY MODELS

- **APPLICATION:** \*\*\*  
16308
- **REGISTERED UTILIYU MODEL:** \*\*\*  
2171

### DESIGNS

- **APPLICATIONS APPROVED FOR REGISTRATION:**  
1332; 1336; 1331; 1333
- **REGISTERED DESIGNS:**  
995; 997
- **DESIGN REGISTERED ACCORDING TO THE ACCELERATED PROCEDURE:**  
996
- **DESIGNS, WHICH HAVE BEEN REGISTERED WITH THE INTERNATIONAL BUREAU CLAIMING PRIORITY ON THE TERRITORY OF GEORGIA:**  
229070; 233290; 229262; 233377; 233384; 225711; 228813; 229640; 233737; 229760; 229940; 229947; 229761; 230101; 233972

### TRADEMARKS

- **APPLICATIONS FILED UNDER THE NATIONAL PROCEDURE APPROVED FOR REGISTRATION:**  
120367; 122031, 122032; 122293, 122294; 122648, 122749; 123314; 123337; 123347; 123363; 123421; 123479; 123509; 123513; 123580; 123593; 123600; 123604; 123619; 123625; 123887-123893; 123895; 123897-123902; 123906; 123913; 123916, 123917; 123996; 124021; 124048; 124050; 124144, 124145; 124147; 124154; 124158; 124163; 124165, 124166; 124168; 124174; 124219; 124222; 124224; 124236; 124242; 124248; 124305, 124306; 124322; 124331, 124332; 124339, 124340; 124345; 124349; 124355; 124412; 124831
- **REGISTERED TRADEMARKS:**  
37948; 37957-37981
- **TRADEMARKS REGISTERED ACCORDING TO THE ACCELERATED PROCEDURE:**  
37935-37947; 37949-37955
- **INTERNATIONAL TRADEMARKS FOR WHICH A DECISION ON GRANTING PROTECTIONS IS TAKEN:**  
119739\*; 120890; 122459; 122534; 122549; 122552, 122553; 122632; 122635; 122686; 122689; 122701; 122712, 122713; 122715; 122777, 122778; 122798, 122799; 122802; 122811; 122814; 122864-122870; 122883-122885; 122905, 122906; 122911; 122914; 122927-122929; 122985; 122993, 122994; 123029; 123035; 123037, 123038; 123047; 123106-123109; 123111; 123127; 123131, 123132; 123143; 123149-123152; 123155, 123156; 123158; 123162-123164; 123237-123239; 123245, 123246; 123253; 123265, 123266; 123269-123273; 123281-123284; 123297-123300; 123367; 123369; 123371-123373; 123375-123377; 123389-123392; 123397-123399; 123432, 123433; 123438-123440; 123447; 123449, 123450; 123452; 123455; 123457-123459; 123467; 123472; 123474; 123522; 123531, 123532; 123539, 123540; 123554; 123559; 123697-123702; 123746-123750; 123784; 123786; 123832; 123837; 123839; 123940, 123941; 123969, 123970; 124073; 124089; 124091
- **INTERNATIONAL TRADEMARKS PROTECTED IN GEORGIA:**  
119922; 120081; 120216; 120265; 120865; 120875; 120898; 121376; 121394; 121459; 121539; 121542; 121563; 121565, 121566; 121574; 121587-121589; 121591, 121592; 121594; 121596; 121613, 121614; 121616; 121626; 121681-121683; 121686, 121687; 121700; 121715-121718; 121787-121792; 121794-121796; 121812-121814; 121837; 121839, 121840; 121843-121847; 121868; 121870; 121874; 121877; 121880, 121881; 121890, 121891; 121896-121898; 121942; 121946; 121954, 121955; 121959; 121964, 121965; 121967-121970; 121972; 121974; 121976; 121980; 121986; 121991; 121994; 121998; 122000-122002; 122004; 122060; 122067; 122072; 122077; 122141-122244; 122247, 122248; 122250, 122251; 122253, 122254; 122256-122258

# INVENTIONS

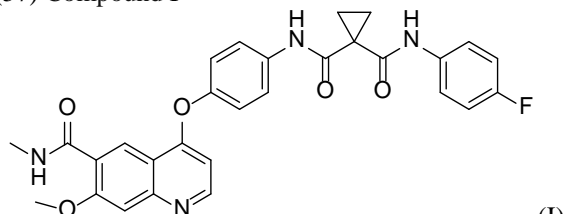
## APPLICATIONS APPROVED FOR GRANTING PATENT

The decision can be appealed at the Chamber of Appeal of Sakpatenti within 3 months from the publication or at the Mtskheta District Court Administrative Cases Board (Address: №17, Samkhedro St., Mtskheta), within 1 month following the publication.

### PART A

#### A 61

- (10) AP 2024 15849 A (51) Int. Cl. (2006)  
A 61 K 31/47  
A 61 P 35/00  
C 07 D 215/233
- (21) AP 2019 15849 (22) 2019 12 12  
(31) 62/856,404  
(32) 2019 06 03  
(33) US  
(71) Exelixis, Inc. (US)  
1851 Harbor Bay Parkway, Alameda CA, 94502,  
USA (US)  
(72) DEMORIN, Frenel (US);  
SHAH, Khalid (US);  
SHAKYA, Sagar (US);  
WONG, Peter (US);  
JOHNSON, Courtney S. (US);  
BEVILL, Melanie Janelle (US);  
PARENT, Stephan D. (US)
- (74) Tamaz Shilakadze  
(85) 2021 12 30  
(86) PCT/US2019/065980, 2019 12 12  
(54) CRYSTALLINE SALT FORMS OF KINASE  
INHIBITOR  
(57) Compound I



(I)

crystalline forms of salts, pharmaceutical compositions on the basis thereof, and their usage for its preparation for treating cancer by modulating of protein kinase.

Claims: 22 independent  
82 dependent  
Table: 35  
Fig.: 69

- (10) AP 2024 15821 A (51) Int. Cl. (2006)  
A 61 K 31/53  
A 61 P 5/14  
C 07 D 401/14  
C 07 D 403/12  
C 07 D 403/14
- (21) AP 2020 15821 (22) 2020 05 07  
(31) 62/845,252; 63/005,661; 62/944,052  
(32) 2019 05 08; 2020 04 06; 2019 12 05  
(33) US; US; US  
(71) Aligos Therapeutics Inc. (US)  
1 Corporate Dr, 2<sup>nd</sup> Fl., South San Francisco,  
CA 94080, USA (US)  
(72) VANDYCK, Koen (BE);  
RABOISSON, Pierre, Jean-Marie, Bernard (BE);  
MCGOWAN, David (BE);  
DEVAL, Jerome (US)
- (74) Shalva Gvaramadze  
(85) 2021 12 07  
(86) PCT/US2020/031904, 2020 05 07  
(54) MODULATORS OF THR- $\beta$  AND METHODS  
OF USE THEREOF  
(57) Compound of Formula I':

TL-La-CE-HD (I')

wherein values of TL, CE, HD, La radicals are provided in the claims or stereoisomer or tautomer thereof or pharmaceutically acceptable salt thereof, amide or ester, pharmaceutical compositions on the basis thereof, and their usage for the treatment of nonalcoholic steatohepatitis (NASH), obesity, hyperlipidemia, hypercholesterolemia, diabetes, hepatic steatosis, atherosclerosis, cardiovascular diseases, hypothyroidism, and thyroid cancer.

Claims: 9 independent  
14 dependent

Table: 12  
Fig.: 2

- (10) AP 2024 15619 A (51) Int. Cl. (2006)  
A 61 K 31/375  
A 61 K 31/56  
A 61 K 31/454  
A 61 P 11/06  
A 61 P 43/00  
A 61 P 37/00
- (21) AP 2019 15619 (22) 2019 11 22  
(31) 2018141291  
(32) 2018 11 23  
(33) RU  
(71) LTD "Valenta-Intellekt" (RU)

Ryabinov St. 26, bld. 10, Office 6-26, Moscow,  
121471, Russian Federation (RU);  
NEBOLSIN, Vladimir Evgenievich (RU)  
Golitsyn St. 457, Villa. Borzic, Istra District,  
Moscow Region, 143581, Russian  
Federation (RU)

(72) NEBOLSIN, Vladimir Evgenievich (RU)

(74) Shalva Gvaramadze

(85) 2021 04 29

(86) PCT/RU2019/050225, 2019 11 22

(54) GLUTARIMIDE DERIVATIVE FOR OVER-  
COMING RESISTANCE TO STERIODS

(57) 1-(2-(1H-imidazol-4-yl)ethyl)piperidine-2,6-dio-  
ne compound is used for treating illnesses associated  
with aberrant interferon gamma signaling, such as  
Sjögren syndrome, dermatomyositis, systemic lupus  
erythematosus, systemic sclerosis or cough.

Claims: 10 independent

9 dependent

Fig.: 5

(10) AP 2024 15955 A (51) Int. Cl. (2006)  
A 61 K 31/4439  
A 61 K 31/55  
A 61 K 31/5377  
A 61 K 31/519  
A 61 K 31/517  
A 61 K 31/506  
A 61 K 31/5025  
A 61 K 31/502  
A 61 K 31/454  
A 61 P 35/00

(21) AP 2020 15955 (22) 2020 10 22

(31) 201921042899

(32) 2019 10 22

(33) IN

(71) Lupin Limited (IN)

Kalpataru Inspire, 3<sup>rd</sup> Fl., Off Western Express  
Highway, Santacruz (East), Maharashtra  
Mumbai 400 055, India (IN)

(72) PALLE, Venkata, P. (IN);

KAMBOJ, Rajender, Kumar (IN);

BHONDE, Mandar, Ramesh (IN)

(74) Larisa Amirkhanyan

(85) 2022 05 20

(86) PCT/IB2020/059921, 2020 10 22

(54) PHARMACEUTICAL COMBINATION OF  
PRMT5 INHIBITORS

(57) Present invention relates to cancer treating com-  
bination comprising compound (24)-(1S, 2R, 5R)-3-  
(2-(2-amino-3-chloro-5-fluoroquinolin-7-yl)ethyl)-5-  
(4-amino-7H-pyrrolo[2,3-d]pyrimidin-7-yl)cyclopent-  
3-ene-1,2-diol or pharmaceutically acceptable salt  
thereof, and one of the following: afatinib, BI-3406,  
und ulixertinib.

Claims: 2 independent

1 dependent

Fig.: 10

## PART E

### E 05

(10) AP 2024 15502 A (51) Int. Cl. (2006)  
E 05 B 63/00  
E 05 B 19/18

(21) AP 2019 15502 (22) 2019 04 15

(31) 2018116428

(32) 2018 05 03

(33) RU

(71) SALIMOV, Ildar (RU)

Bolshaya Polyanka St., 30-298, Moscow,  
119180, Russian Federation (RU)

(72) SALIMOV, Ildar (RU)

(74) Khatuna Imnadze

(85) 2020 11 30

(86) PCT/RU2019/000247, 2019 04 15

(54) KEY HAVING A CATCH AND A REPLACE-  
ABLE BLADE, LOCK, AND OPERATING  
METHOD THEREOF (VARIANTS)

(57) Proposed is a group of inventions relating to  
locking mechanisms, containing keys which can be  
separated into parts and which have catches and a  
plurality of replaceable blades which fit a plurality  
of locks, the replaceable blades of the keys of all of said  
locks attach to the catches of one key part having a  
bow, thus reducing the weight and overall size of a  
bunch of keys, allowing a person to carry only one  
key part having a bow and a plurality of key blades  
pertaining to different locks, reducing the weight and  
size of a bunch of keys, and a lock having correspon-  
ding mating mechanisms, increasing the security of  
the locking mechanism.

Claims: 4 independent

6 dependent

Fig.: 7

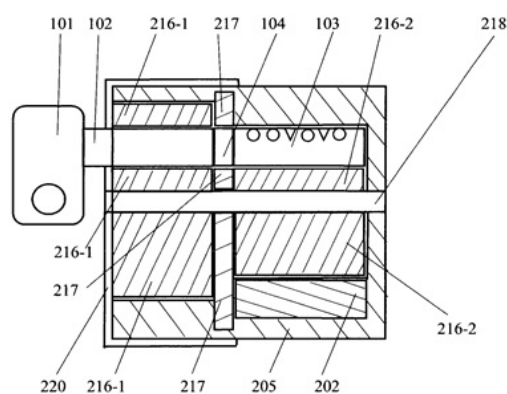


Fig. 2

## PATENTED INVENTIONS

### PART A

#### A 61

- (11) P 2024 7608 B (51) Int. Cl. (2006)  
A 61 K 9/48  
A 61 K 31/606  
A 61 K 9/28  
A 61 K 9/20
- (10) AP 2023 15683 A (44) 18(621)/2023  
(21) AP 2019 15683  
(22) 2019 12 05  
(24) 2019 12 05  
(31) 18211152.6  
(32) 2018 12 07  
(33) EP  
(86) PCT/EP2019/083910, 2019 12 05  
(73) Tillotts Pharma AG (CH)  
Baslerstrasse 15, Rheinfelden, 4310,  
Switzerland (CH)  
(72) VARUM, Felipe (CH);  
VON ROCHOW, Laetitia (CH);  
FÜLLER, Carsten Markus (CH);  
BRAVO GONZALEZ, Roberto Carlos (CH)  
(74) Shalva Gvaramadze  
(54) DELAYED RELEASE DRUG FORMULATION  
COMPRISING AN OUTERLAYER WITH AN  
ENZYMATICYALLY DEGRADABLE  
POLYMER, ITS COMPOSITION AND  
ITS METHOD OF MANUFACTURING

- 
- (11) P 2024 7607 B (51) Int. Cl. (2006)  
A 61 K 31/4025  
A 61 K 31/4015  
A 61 P 31/14  
C 07 D 401/12  
C 07 D 207/267  
C 07 D 403/12  
C 07 D 497/04  
C 07 D 403/14
- (10) AP 2023 15927 A (44) 22(625)/2023  
(21) AP 2021 15927  
(22) 2021 08 06  
(24) 2021 08 06  
(62) AP 2021 15794 2021 08 06  
(31) 63/073,982; 63/143,435; 63/170,158;  
63/194,241  
(32) 2020 09 03; 2021 01 29; 2021 04 02;  
2021 05 28  
(33) US; US; US; US  
(86) PCT/IB2021/057281, 2021 08 06

- (73) Pfizer Inc. (US)  
235 East 42<sup>nd</sup> Street, New York, NY 10017,  
USA (US)  
(72) VERHOEST, Patrick Robert (US);  
WEI, Liuqing (US);  
YANG, Xiaojing (US);  
TUTTLE, Jamison Bryce (US);  
PETTERSSON, Martin Youngjin (US);  
OWEN, Dafydd Rhys (US);  
REESE, Matthew Richard (US);  
YANG, Qingyi (US);  
SAMMONS, Matthew Forrest (US)  
(74) Tamar Kochlamazashvili  
(54) NITRILE-CONTAINING ANTIVIRAL  
COMPOUNDS

- 
- (11) P 2024 7606 B (51) Int. Cl. (2006)  
A 61 K 31/496  
A 61 K 47/10  
A 61 K 9/00  
A 61 K 9/08
- (10) AP 2023 15674 A (44) 18(621)/2023  
(21) AP 2019 15674  
(22) 2019 11 20  
(24) 2019 11 20  
(31) 18208601.7  
(32) 2018 11 27  
(33) EP  
(86) PCT/EP2019/081950, 2019 11 20  
(73) Bayer Aktiengesellschaft (DE)  
Kaiser-Wilhelm-Alee 1, Leverkusen, 51373,  
Germany (DE);  
Bayer Pharma Aktiengesellschaft (DE)  
Müllerstraße 178, Berlin, 13353, Germany (DE)  
(72) NICOLAI, Janine (DE);  
STEIN, Michelle (DE);  
BECK-BROICHSITTER, Moritz (DE);  
ARNTZ, Andrea (DE)  
(74) Giorgi Kartvelishvili  
(54) PROCESS FOR PRODUCING PHARMACEU-  
TICAL DOSAGE FORMS CONTAINING  
TASK-1 AND TASK-3 CHANNEL INHIBI-  
TORS, AND THE USE OF SAME IN  
BREATHING DISORDER THERAPY



- (11) P 2024 7605 B (51) Int. Cl. (2006)  
A 61 K 36/899  
A 61 K 36/53  
A 61 K 36/33  
A 61 K 36/36  
A 61 K 36/18  
A 61 K 31/11
- (10) AP 2023 15538 A (44) 20(623)/2023  
(21) AP 2018 15538  
(22) 2018 10 17  
(24) 2018 10 17  
(31) 2018/08522  
(32) 2018 06 14  
(33) TR  
(86) PCT/EP2018/078444, 2018 10 17  
(73) Setonda, S.L (ES)  
Joaquim Costa, 18-08390 Montgat (Barcelona)  
08001, Spain (ES)  
(72) YUSUBOV, Natig (AZ)  
(74) Babulia Taliashvili  
(54) HERBAL COMPOSITIONS FOR THE TREATMENT OF UROLITHIASIS AND URINARY TRACT INFECTIONS

- (11) P 2024 7611 B (51) Int. Cl. (2006)  
A 61 P 35/00  
C 07 D 487/04  
C 07 D 519/00
- (10) AP 2023 15897 A (44) 19(622)/2023  
(21) AP 2020 15897  
(22) 2020 08 10  
(24) 2020 08 10  
(31) 19191299.7; 20167707.7  
(32) 2019 08 12; 2020 04 02  
(33) EP; EP  
(86) PCT/EP2020/072377, 2020 08 10  
(73) Bayer Pharma Aktiengesellschaft (DE)  
Müllerstraße 178, Berlin, 13353, Germany (DE);  
Bayer Aktiengesellschaft (DE)  
Kaiser-Wilhelm-Allee 1, Leverkusen, 51373,  
Germany (DE)  
(72) MEIER, Robin, Michael (DE);  
ZORN, Ludwig (DE);  
HERBERT, Simon Anthony (DE);  
LEFRANC, Julien (DE);  
SCHMEES, Norbert (DE);  
GÜNTHER, Judith (DE);  
GUTCHER, Ilona (DE);  
RÖSE, Lars (DE);  
BADER, Benjamin (DE);  
STÖCKIGT, Detlef (DE);  
GORJÁNÁ CZ, Mátyás (DE);  
KOB ER, Christina (DE);  
BUCHMANN, Bernd (DE);  
BOTHE, Ulrich (DE);  
PLATTEN, Michael (DE);  
BÖHME, Stephan (DE);  
BAUMANN, Daniel (DE)

- (74) Tamar Kotchlamazashvili  
(54) [1,2,4]TRIAZOLO[1,5-C]QUINAZOLIN-5-AMINES

---

## PART B

### B 22

- (11) P 2024 7612 B (51) Int. Cl. (2006)  
B 22 D 11/06
- (10) AP 2023 16173 A (44) 20(623)/2023  
(21) AP 2023 16173  
(22) 2023 02 22  
(24) 2023 02 22  
(73) Giorgi Kevkhashvili (GE)  
Burdzгла St. 100, ap. 39, 0160, Tbilisi,  
Georgia (GE);  
LEPL "Shota Rustaveli National Science  
Foundation of Georgia" (GE)  
M. Aleksidze St. II Lane 2, Tbilisi,  
Georgia (GE);  
LEPL "Ferdinand Tavadze Metallurgy and  
Materials Science Institute" (GE)  
Mindeli St. 10, 0160, Tbilisi, Georgia (GE);  
Julieta Loria (GE)  
Tsintsadze St. 77, ap. 60, 0160, Tbilisi,  
Georgia (GE);  
Giorgi Parunashvili (GE)  
Navtlughi St. 1/12, Tbilisi, Georgia (GE);  
Vazha Ramishvili (GE)  
Iosebidze St. 71, ap. 45, 0160, Tbilisi,  
Georgia (GE);  
Teimuraz Namicheishvili (GE)  
Mtskheta St. 17, ap. 6, 0179, Tbilisi,  
Georgia (GE);  
(72) Giorgi Kevkhashvili (GE);  
Julieta Loria (GE);  
Giorgi Parunashvili (GE);  
Vazha Ramishvili (GE);  
Teimuraz Namicheishvili (GE)  
(54) METHOD FOR OBTAINING COMPOSITE  
ARMOR PLATE
-

## PART C

### C 12

- (11) P 2024 7609 B (51) Int. Cl. (2006)  
C 12 N 1/20  
C 12 P 21/02  
C 12 R 1/145
- (10) AP 2023 16010 A (44) 22(625)/2023  
(21) AP 2020 16010  
(22) 2020 12 19  
(24) 2020 12 19  
(31) 62/951,549  
(32) 2019 12 20  
(33) US  
(86) PCT/IB2020/062252, 2020 12 19  
(73) Galderma Holding SA (CH)  
Zählerweg 10, Zug, 6300, Switzerland (CH);  
Ipsen Biopharm LIMITED (GB)  
Unit 9, Ash Road, Wrexham Industrial Estate,  
Wrexham Clwyd LL13 9UF,  
UK (GB)  
(72) STÅHL, Ulf (SE);  
FRANK, Peter (SE);  
JARSTAD, Anders (SE);  
PICKETT, Andrew (SE)  
(74) Shalva Gvaramadze  
(54) ETHOD OF PRODUCING BOTULINUM  
TOXIN
- 

## PART E

### E 04

- (11) P 2024 7610 B (51) Int. Cl. (2006)  
E 04 F 11/18
- (10) AP 2023 15758 A (44) 22(625)/2023  
(21) AP 2020 15758  
(22) 2020 05 25  
(24) 2020 05 25  
(31) FR1905808  
(32) 2019 05 31  
(33) FR  
(86) PCT/EP2020/064396, 2020 05 25  
(73) SB Ingenierie (FR)  
76 Chemin des Poses 74330 Poisy, France (FR)  
(72) ROUIF, Léandre (FR);  
CHAPEL, Romain (FR);  
GIACOMETTI, Sylviane (FR)  
(74) Shalva Gvaramadze  
(54) ARRANGEMENT FOR SECURING  
A PANEL IN A RAIL BY TIGHTENING  
OUTER WEDGES FROM AN INNER  
SIDE OF THE PANEL
-

---

**APPLICATIONS\*\*\***
**PART A****A 61**

- (10) AP 2024 16379 A (51) Int. Cl. (2006)  
A 61 P 35/00  
C 07 K 16/28
- (43) 2024 03 11 №5  
(21) AP 2022 16379  
(22) 2022 03 30  
(31) 2027893  
(32) 2021 03 31  
(33) NL  
(71) Merus N.V. (NL)  
Upsalalaan 17 3rd & 4th Fl. 3584 St Utrecht, The  
Netherlands (NL);  
Insight Corporation (US)  
1801 Augustine Cut Off Wilmington, DE 19803,  
USA (US)
- (72) PLYTE, Simon Edward (NL);  
MAYES, Patrick (US);  
NASTRI, Horacio G. (US);  
STEWART, Shaun M. (US)
- (74) Liliانا Darakhvelidze  
(85) 2023 10 25  
(86) PCT/US2022/022564, 2022 03 30  
(54) MULTISPECIFIC BINDING MOIETIES  
COMPRISING NOVEL PD-1 BINDING DOMAINS  
(57) present disclosure relates to multispecific binding  
moieties comprising novel PD- 1 binding domains that  
have a higher binding affinity for human PD-1 than a  
reference PD-1 binding domain. Such multispecific  
binding moieties further provide a comparable, or  
equal or higher, potency in blocking ligand binding to  
human PD-1 than a reference PD-1 antibody. The  
present disclosure in particular relates to multispecific  
binding moieties comprising a novel PD-1 binding  
domain and a LAG-3 binding domain. Also provided is  
a method for treating a disease, in particular a disease  
associated with a suppressed immune system, such as  
cancer, with a multispecific binding moiety of the  
present disclosure. The present disclosure further  
relates to a vector and cell comprising nucleic acids  
encoding a novel PD-1 binding domain and a LAG-3  
binding domain.
- 

**PART B****B 22**

- (10) AP 2024 16336 A (51) Int. Cl. (2006)  
B 22 F 9/02
- (43) 2024 03 11 №5  
(21) AP 2023 16336  
(22) 2023 08 29  
(71) Davit Sakhvadze (GE)  
Sayat-Nova St. 1, Tbilisi, Georgia (GE);  
Gigo Jandieri (GE)  
Vazisubani, I m/r, bld. 3, ap.36, Tbilisi,  
Georgia (GE);  
Besiki Saralidze (GE)  
Marjanishvili St. 24, 0167, Gldani District,  
Tbilisi, Georgia (GE);  
Giorgi Sakhvadze (GE)  
Sayat-Nova St. 1, Tbilisi, Georgia (GE);  
Shota Rustaveli National Foundation of Georgia (GE)  
Merab Aleksidze St., II Lane 2, 0193, Tbilisi,  
Georgia (GE);  
LEPL "Rapiel Dvali Institute of Machine  
Mechanics" (GE)  
Mindeli St. 10, 0186, Tbilisi, 0186,  
Georgia (GE)
- (72) Davit Sakhvadze (GE);  
Gigo Jandieri (GE);  
Besiki Saralidze (GE);  
Giorgi Sakhvadze (GE)
- (54) PORTABLE DEVICE FOR HYDRO-VACUUM  
DISPERSION AND MECHANICAL ACTIVA-  
TION OF METALLURGICAL ALLOYS  
(57) A device includes inverted truncated conical case  
2 located upright on transport platform 1, and inserted  
therein the spray chamber 6 capable to move vertically.  
A channel 8 is created between the case 2 and chamber  
6, and high-pressure pipe 9 with water circulation  
system 10 is connected tangentially thereto. Water  
circulation system 10 is connected to feeding siphonic  
tank 11. Furthermore, the device is equipped with:  
liquid metallic capacity having level siphonic casting  
mould 12, cylindrical cap 14 connected to truncated  
conical head 13, and case 3 lower torso, pipe 16, outlet  
pipe 20 connected to spray chamber 6 with fine  
fraction pulp 17 to supply water circulation system 10  
feeding siphon tank 11 with pipe 16 hydro cyclone 21,  
fraction powder directing channel 23 and condenser  
24; at that, water circulation system 10 feeding tank 11  
bottom is equipped with electrodynamic separator 27,  
and foundry ladle 28 actuating unit 29 equipped with  
ladle 28 turning mechanism 30 is additionally disposed  
onto transport platform 1  
Claims: 1 independent  
4 dependent

Fig.: 1

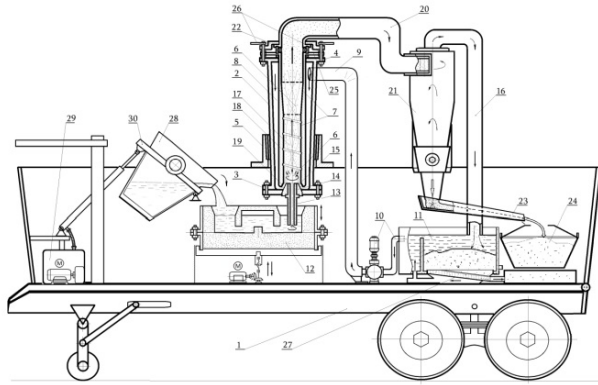


Fig. 1

---

**PATENT\*\*\*****PART B****B 22**

- (11) P 2024 7613 B (51) Int. Cl. (2006)  
B 22 F 9/02
- (10) AP 2024 16336 A  
(45) 2024 03 11 (43) 2024 03 11 №5
- (21) AP 2023 16336  
(22) 2023 08 29
- (71) Davit Sakhvadze (GE)  
Sayat-Nova St. 1, Tbilisi, Georgia (GE);  
Gigo Jandieri (GE)  
Vazisubani, I m/r, bld. 3, ap.36, Tbilisi,  
Georgia (GE);  
Besiki Saralidze (GE)  
Marjanishvili St. 24, 0167, Gldani District,  
Tbilisi, Georgia (GE);  
Giorgi Sakhvadze (GE)  
Sayat-Nova St. 1, Tbilisi, Georgia (GE);  
Shota Rustaveli National Foundation of  
Georgia (GE)  
Merab Aleksidze St., II Lane 2, 0193, Tbilisi,  
Georgia (GE)  
LEPL "Rapiel Dvali Institute of Machine  
Mechanics" (GE);  
Mindeli St. 10, 0186, Tbilisi, 0186,  
Georgia (GE)
- (72) Davit Sakhvadze (GE);  
Gigo Jandieri (GE);  
Besiki Saralidze (GE);  
Giorgi Sakhvadze (GE)
- (54) PORTABLE DEVICE FOR HYDRO-VACUUM  
DISPERSION AND MECHANICAL ACTIVA-  
TION OF METALLURGICAL ALLOYS
-

---

# UTILITY MODELS

## APPLICATION\*\*\*

### PART A

#### A 61

- (10) AU 2024 16308 U (51) Int. Cl. (2006)  
A 61 K 36/00
- (43) 2024 03 11 №5
- (21) AU 2023 16308
- (22) 2023 07 26
- (71) Giorgi Getsadze (GE)  
Vakhushti Batonishvili I lane 6, 2000,  
Zestaponi, Georgia (GE);  
Tamari Vashakidze (GE)  
Dighomi Array, VI qu., bld. 6, ap. 19, 0159,  
Tbilisi, Georgia (GE);  
Nata Samkharadze (GE)  
Kvishkheti St., bld. 2, ap. 91, 0192, Tbilisi,  
Georgia (GE);  
Tamari Machitidze (GE)  
Kvishkheti St., bld. 2, ap. 91, 0192, Tbilisi,  
Georgia (GE);  
Nino Getsadze (GE)  
Vakhushti Batonishvili I lane 6, 2000,  
Zestaponi, Georgia (GE);  
Alberti Samkharadze (GE)  
Automshebeli St. 10/28, 4600, Kutaisi,  
Georgia (GE)
- (72) Giorgi Getsadze (GE);  
Tamari Vashakidze (GE);  
Nata Samkharadze (GE);  
Tamari Machitidze (GE);  
Nino Getsadze (GE);  
Alberti Samkharadze (GE)
- (74) Badri Zivzivadze
- (54) REMEDY FOR TREATMENT OF  
HYMORITIS, FRONTITIS AND  
ETHMOIDITIS
- (57) Plant set comprises sowbread - Cyclamen bulbs,  
gleditsia (honey locust) – Gleditschia triacanthos  
bags, and ivy – Hedera foliage.
-

---

**REGISTERED UTILITY MODEL\*\*\*****PART A****A 61**

- (11) U 2024 2171 Y (51) Int. Cl. (2006)  
A 61 K 36/00
- (10) AU 2024 16308 U
- (45) 2024 03 11 (43) 2024 03 11 №5
- (21) AU 2023 16308
- (22) 2023 07 26
- (73) Giorgi Getsadze (GE)  
Vakhushti Batonishvili I lane 6, 2000,  
Zestaponi, Georgia (GE);  
Tamari Vashakidze (GE)  
Dighomi Array, VI qu., bld. 6, ap. 19, 0159,  
Tbilisi, Georgia (GE);  
Nata Samkharadze (GE)  
Kvishkheti St., bld. 2, ap. 91, 0192, Tbilisi,  
Georgia (GE);  
Tamari Machitidze (GE)  
Kvishkheti St., bld. 2, ap. 91, 0192, Tbilisi,  
Georgia (GE);  
Nino Getsadze (GE)  
Vakhushti Batonishvili I lane 6, 2000,  
Zestaponi, Georgia (GE);  
Alberti Samkharadze (GE)  
Automshebeli St. 10/28, 4600, Kutaisi,  
Georgia (GE)
- (72) Giorgi Getsadze (GE);  
Tamari Vashakidze (GE);  
Nata Samkharadze (GE);  
Tamari Machitidze (GE);  
Nino Getsadze (GE);  
Alberti Samkharadze (GE)
- (74) Badri Zivzivadze
- (54) REMEDY FOR TREATMENT OF  
HYMORITIS, FRONTITIS AND  
ETHMOIDITIS
-

---

# DESIGNS

## APPLICATIONS APPROVED FOR REGISTRATION

The decision can be appealed at the Chamber of Appeal of Sakpatenti within 3 months from the publication or at the Mtskheta District Court Administrative Cases Board (Address: №17, Samkhedro str., Mtskheta), within 1 month following the publication.

- (10) AD 2024 1332 S      (51) 19-08
- (21) AD 2023 1332      (22) 2023 09 15
- (28) 1
- (71) LLC "Magdana" (GE)  
Giorgi Chitaia St. 14a, ap. 19, 0112, Chugureti District, Tbilisi, Georgia (GE)
- (72) Gaioz Chavchavadze (GE)
- (74) Akaki Lomsadze (GE)
- (54) LABEL ◦
- (55)

1.1





- (10) AD 2024 1336 S (51) 21-01  
 (21) AD 2023 1336 (22) 2023 09 28  
 (28) 1  
 (71) LTD "Lambda Games" (GE)  
 Sh. Nutsubidze St. 221, bld. 1a, ap. 26, 0186, Tbilisi, Georgia (GE)  
 (72) Davit Tomashvili (GE)  
 (54) COMPUTER GAME  
 (55)



1.1



1.2



1.3



1.4

**MEGA-BITE!**



1.5

**MEGA-BITE!**



1.6

**MEGA-BITE!**



1.7

**MEGA-BITE!**



1.8

**bOOmer**



1.9

**monrOOe**



1.10

**Nap-Nap**



1.11

**fOOry!!!**



1.12

**gOOD**



1.13

**smOOke**



1.14

**BOOmie**



1.15

**bOOmtrovert**



1.16

**outlOOw**



1.17

---

(10) AD 2024 1331 S (51) 27-07

(21) AD 2023 1331 (22) 2023 09 14

(28) 1

(71) Alphabet Labs the MCC (AE)

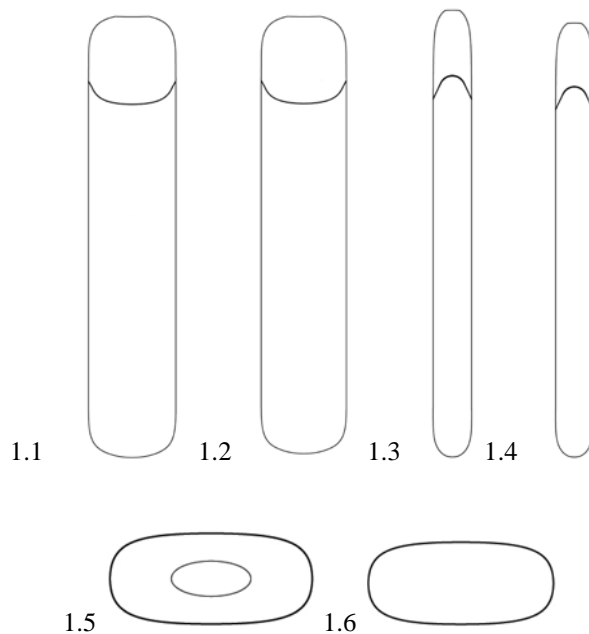
Jumeirah Lakes Towers, Group T, Fortune Executive Tower, Office 508,  
Dubai, United Arab Emirates (AE)

(72) Marelen Nazarov (RU)

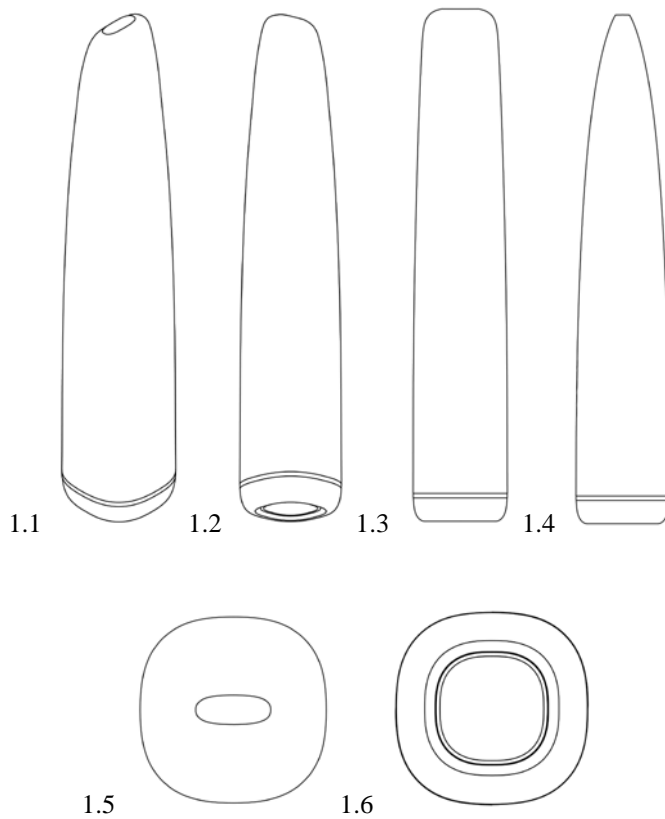
(74) Irakli Gvilia (GE)

(54) ELECTRONIC CIGARETTE

(55)



- (10) AD 2024 1333 S      (51) 27-07
- (21) AD 2023 1333      (22) 2023 09 18
- (28) 1
- (71) LTD "Plunk" (GB)  
95 Oldham Road., Rochdale, England, OL16 5QR, UK (GB)
- (72) Marelen Nazarov (RU)
- (74) Irakli Gvilia (GE)
- (54) ELECTRONIC CIGARETTE
- (55)



---

**REGISTERED DESIGNS**

(11) D 2024 995 S      (51) 09-03  
(10) AD 2023 1320 S      (44) 2023 11 27 №22  
(21) AD 2023 1320  
(22) 2023 07 03  
(24) 2023 07 03  
(28) 1  
(18) 2028 07 03  
(73) Representative of Konrad Adenauer  
Foundation in Georgia (GE)  
Tamar Chovelidze St. 4, Fl. 7, 0108,  
Old Tbilisi District, Tbilisi, Georgia (GE)  
(72) Sopio Kuridze (GE)  
(74) Tamta Muradashvili (GE);  
Gela Chighoshvili (GE)  
(54) BOARD GAME PACKAGING BOX

---

(11) D 2024 997 S      (51) 11-01  
(10) AD 2023 1321 S      (44) 2023 11 27 №22  
(21) AD 2023 1321  
(22) 2023 07 03  
(24) 2023 07 03  
(28) 3  
(18) 2028 07 03  
(73) LTD "NeverNoT Jewelry" (GE)  
Gergeti St. 3, 0105, Tbilisi, Georgia (GE)  
(72) Natia Chkhartishvili (GE)  
(54) NECKLACE

---

## DESIGN REGISTERED ACCORDING TO THE ACCELERATED PROCEDURE

The decision can be appealed at the Chamber of Appeal of Sakpatenti within 3 months from the publication.

(11) D 2024 996 S           (51) 09-01  
(21) AD 2024 1368       (22) 2024 02 07  
(24) 2024 02 07  
(28) 1  
(18) 2029 02 07  
(73) LTD "Kvareli Cellar" (GE)  
      Vill. Chikaani, 4814, Kvareli, Georgia (GE)  
(72) Vazha Ghvaladze (GE)  
(54) BOTTLE  
(55)

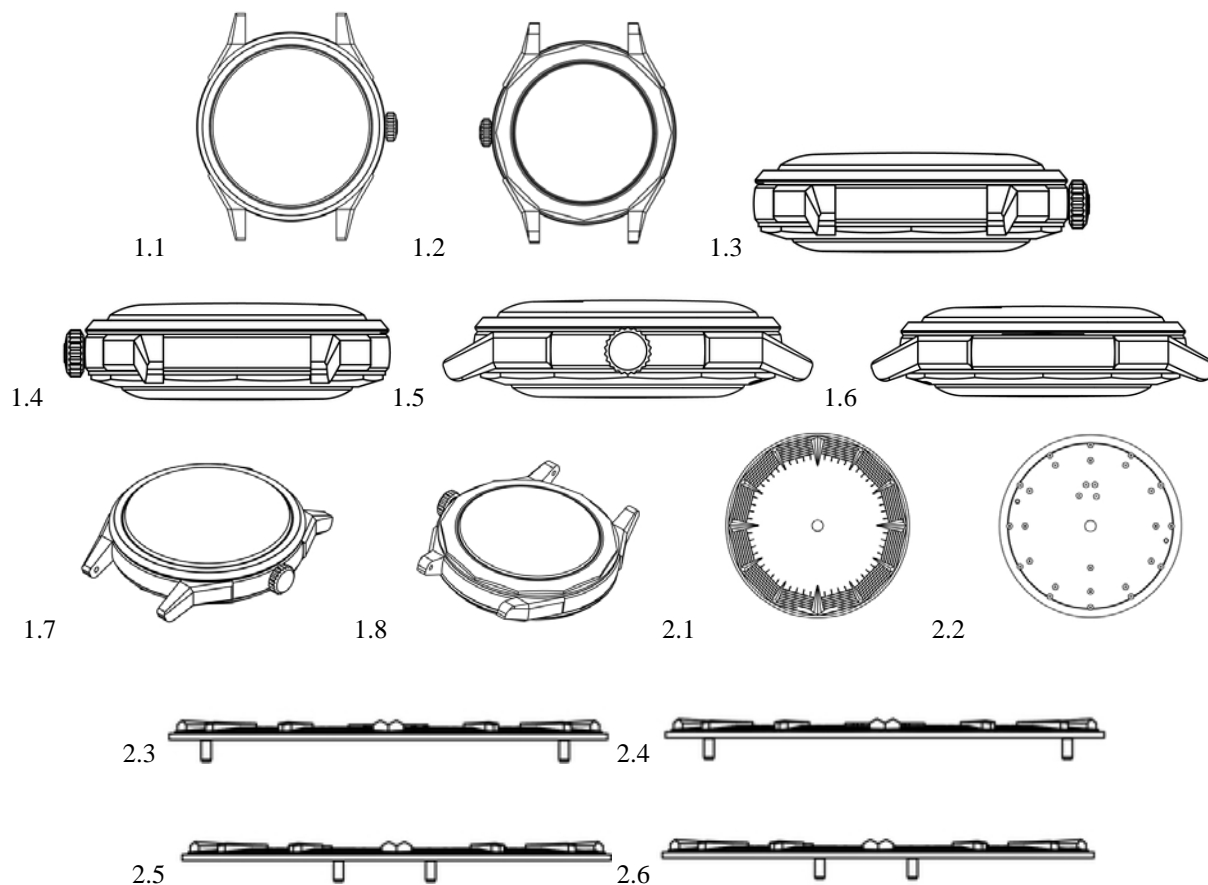


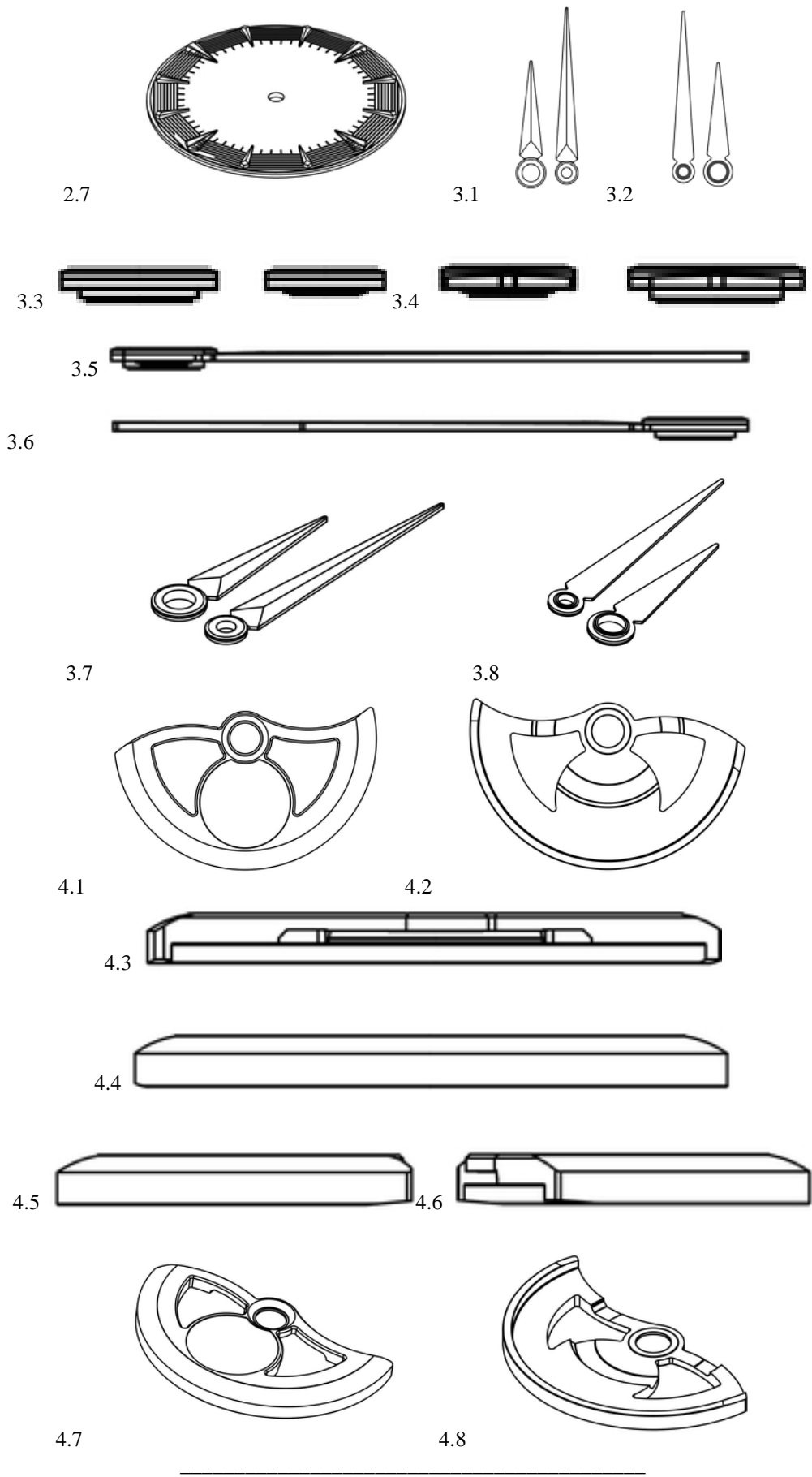
1.1

**DESIGNS, WHICH HAVE BEEN REGISTERED WITH THE INTERNATIONAL  
BUREAU CLAIMING PRIORITY ON THE TERRITORY OF GEORGIA**

The decision can be appealed at the Chamber of Appeal of Sakpatenti within 3 months from the publication or at the Mtskheta District Court Administrative Cases Board (Address: №17, Samkhedro St., Mtskheta), within 1 month following the publication.

- (11) DM/229 070 (51) 10-07  
 (15) 2023 05 19 (44) 47/2023 (2023 11 24)  
 (22) 2023 05 19  
 (28) 4  
 (73) Omega SA (Omega AG) (Omega LTD.)  
 Jakob-Stämpfli-Strasse 96, 2502 Biel/Bienne (CH)  
 (85) CH  
 (86) CH  
 (87) CH  
 (88) CH  
 (89) CH  
 (81) III. KG, LI, TR, GE, MK, OM, BA, NO, MN, CH, EM, AL, UA, AM, MA, SG, MC, MD, BZ, ME, AZ,  
 TN, GB  
 (72) Gregory Kissling  
 c/o Omega SA (Omega AG) (Omega LTD.), Jakob-Stämpfli-Strasse 96, 2502, Biel/Bienne (CH)  
 (74) The Swatch Group AG (The Swatch Group SA) (The Swatch Group Ltd.)  
 6, Faubourg du Lac, 2501 Biel/Bienne (CH)  
 (46) 2023 11 24  
 (54) 1. WATCH CASE, 2. WATCH DIAL, 3. WATCH HANDS, 4. OSCILLATING WEIGHT  
 (55)







(11) DM/233 290 (51) 02 04  
 (15) 2023 11 14 (44) 48/2023 (2023 12 01)  
 (22) 2023 11 14  
 (28) 1

(73) Valentino S.p.A.

Via Turati 16/18, 20121 Milano (EM)

(85) –

(86) EM, IT

(87) EM, IT

(88) EM, IT

(89) EM

(81) III. AZ, EM, GB, GE, JP, KG, KR, RU, TJ, TR, UA, US

(72) Pierpaolo PICCIOLI

C/o VALENTINO S.p.A., Via Turati, 16/18, 20121, Milano (IT)

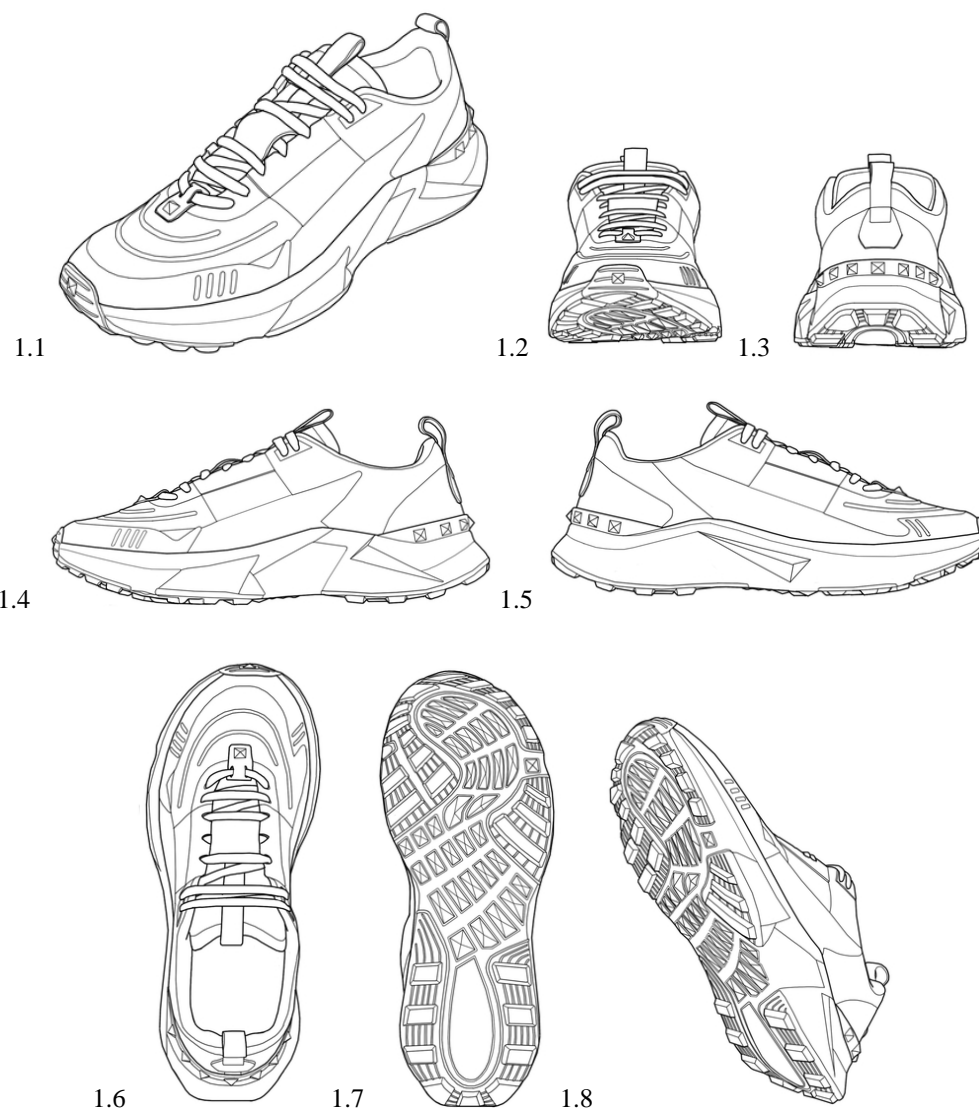
(74) Jacobacci & Partners S.p.A./ Salvatore Giovanni PENNACCHIO

Via Senato, 8, 20121 Milano (IT)

(46) 2023 12 01

(54) 1. SHOE

(55)



- (11) DM/229 262 (51) 11-01  
 (15) 2023 05 26 (44) 48/2023 (2023 12 01)  
 (22) 2023 05 26  
 (28) 2  
 (73) Harry Winston SA  
 Chemin Du Tourbillon 8, 1228 Plan-les-Ouates (CH)  
 (85) CH  
 (86) CH  
 (87) CH  
 (88) CH  
 (89) CH  
 (81) III. AL, AM, AZ, BA, BZ, CA, CH, EM, GB, GE, KG, LI, MA, MC, MD, ME, MK, MN, NO, OM, SG,  
 TN, TR, UA  
 (72) 1. Tobias WUEST  
 C/o Harry Winston Inc. 718 Fifth Avenue, 10019, New York (US);  
 2. Christina YANG  
 C/o Harry Winston Inc. 718 Fifth Avenue, 10019, New York (US)  
 (74) The Swatch Group AG (The Swatch Group SA) (The Swatch Group Ltd.)  
 Faubourg Du Lac 6, 2501 Biel/Bienne (CH)  
 (46) 2023 12 01  
 (54) 1. BROOCH, 2. NECKLACE WITH PENDANT  
 (55)



1.1

1.2



1.3



1.4



1.5



1.6



1.7



1.8



2.1



2.2



2.3



2.4



2.5



2.6

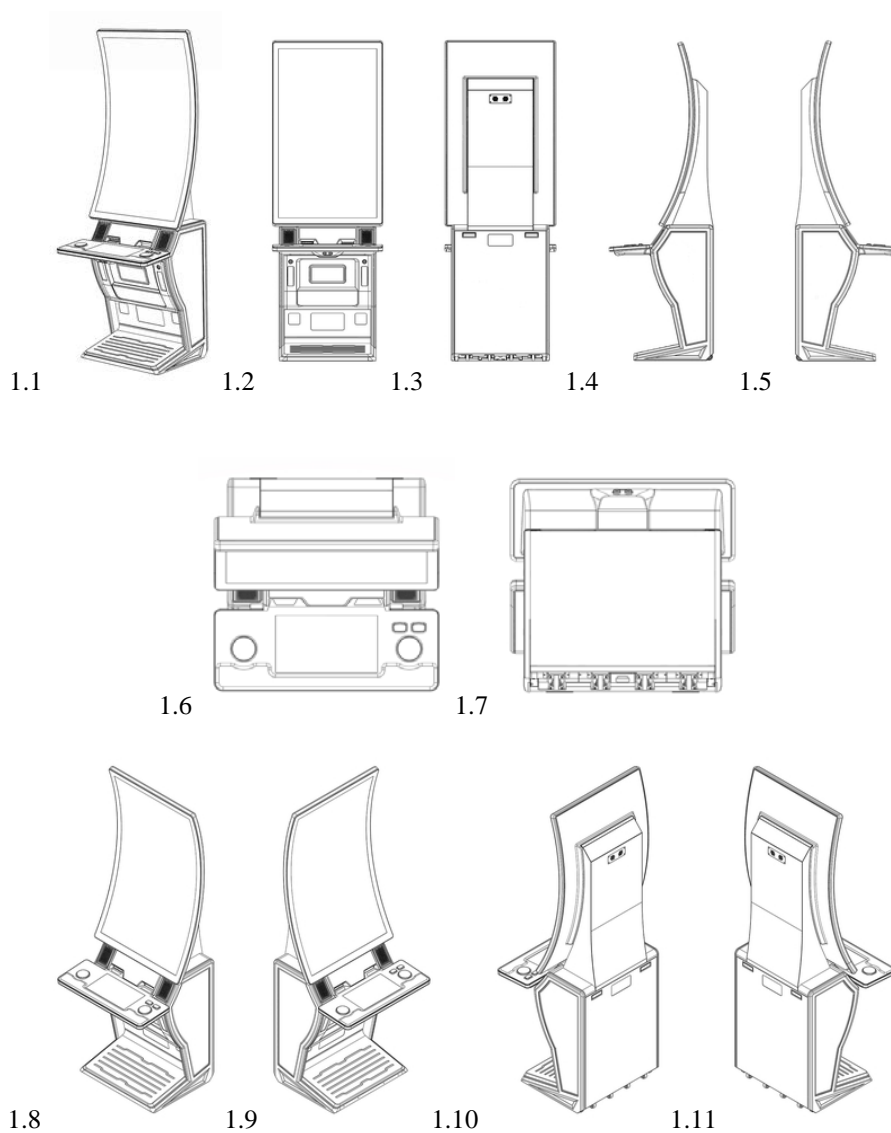


2.7

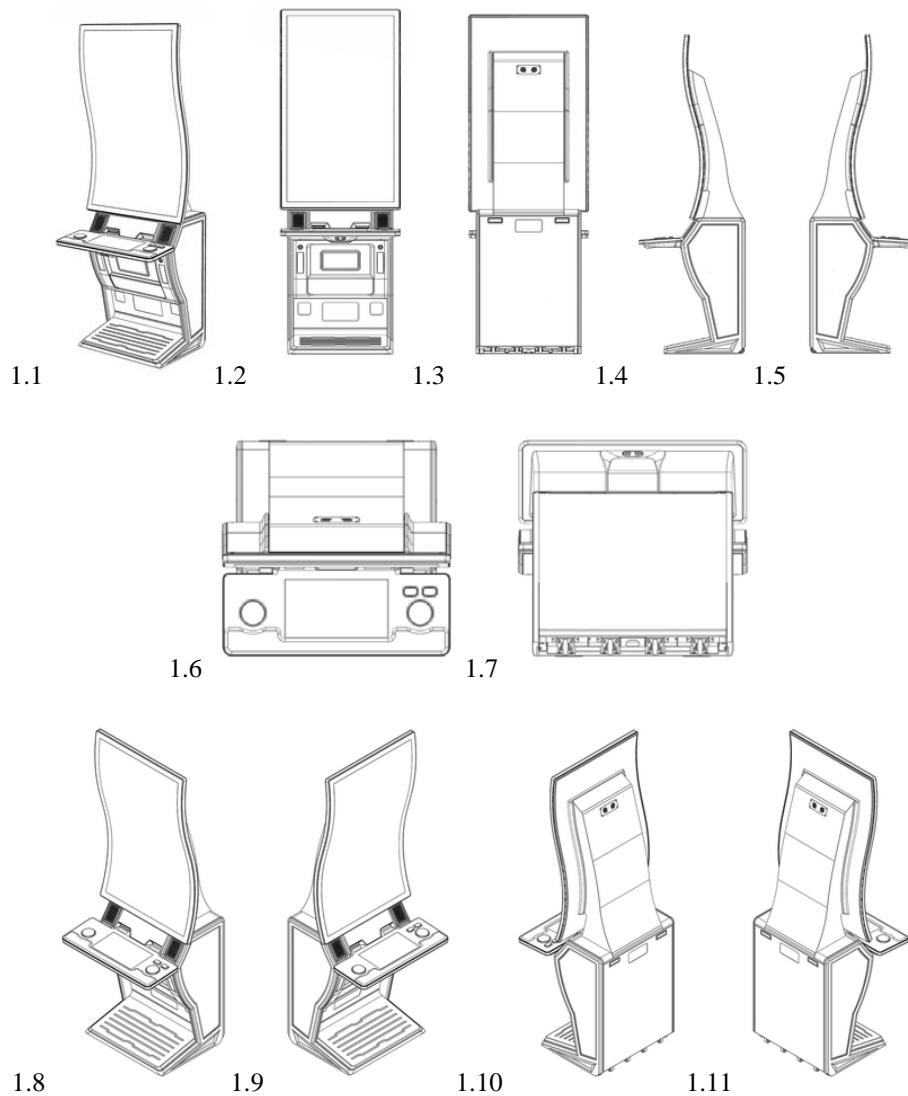


2.8

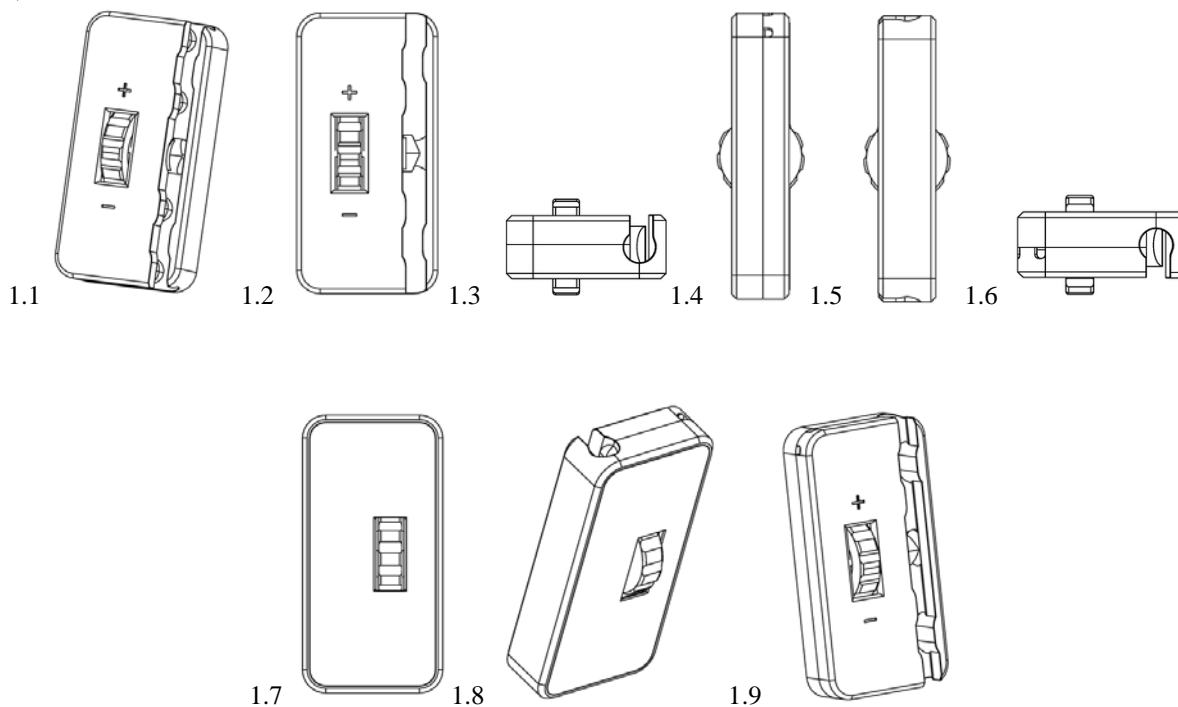
- (11) DM/233 377
- (15) 2023 11 01
- (22) 2023 11 01
- (28) 1
- (73) Pate Play Tech Ltd.  
159 Tsarigradsko Shose Blvd., 9 Fl., Mladost Area, 1784 Sofia (BG)
- (85) BG
- (86) BG
- (87) BG
- (88) BG
- (89) BG
- (81) III. AM, BR, CA, EM, GB, GE, MC, MK, MX, RS, UA, US
- (72) Georgi Papazki  
15 Buzemska Str., Entr. B, 9 Fl., App. 43, 1618, Sofia (BG)
- (74) J. Varbanov And Partner  
South Park Complex, Bl. 1, Entr. A, 2 Fl., 1421 Sofia (BG)
- (54) 1. GAMING MACHINE
- (55)



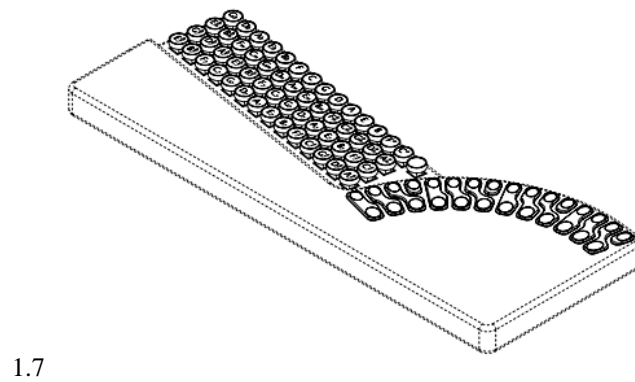
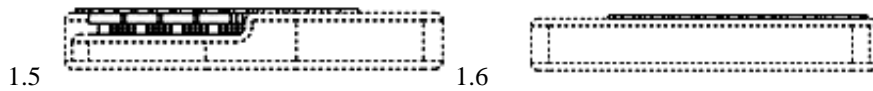
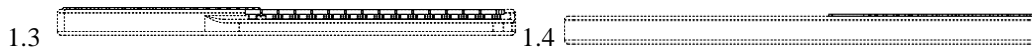
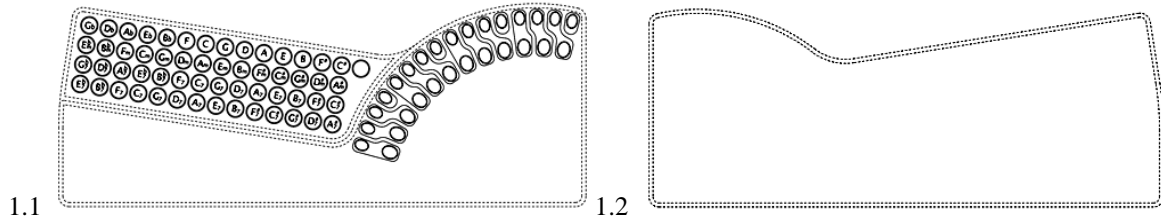
- (11) DM/233 384 (51) 21-03  
 (15) 2023 11 01 (44) 48/2023 (2023 12 01)  
 (22) 2023 11 01  
 (28) 1  
 (73) Pate Play Tech Ltd.  
 159 Tsarigradsko Shose Blvd., 9 Fl., Mladost Area, 1784 Sofia (BG)  
 (85) BG  
 (86) BG  
 (87) BG  
 (88) BG  
 (89) BG  
 (81) III. AM, BR, CA, EM, GB, GE, MC, MK, MX, RS, UA, US  
 (72) Georgi Papazki  
 15 Buzemska Str., Entr. B, 9 Fl., App. 43, 1618, Sofia (BG)  
 (74) J. Varbanov And Partners  
 South Park Complex, Bl. 1, Entr. A, 2 Fl., 1421 Sofia (BG)  
 (54) 1. GAMING MACHINE  
 (55)



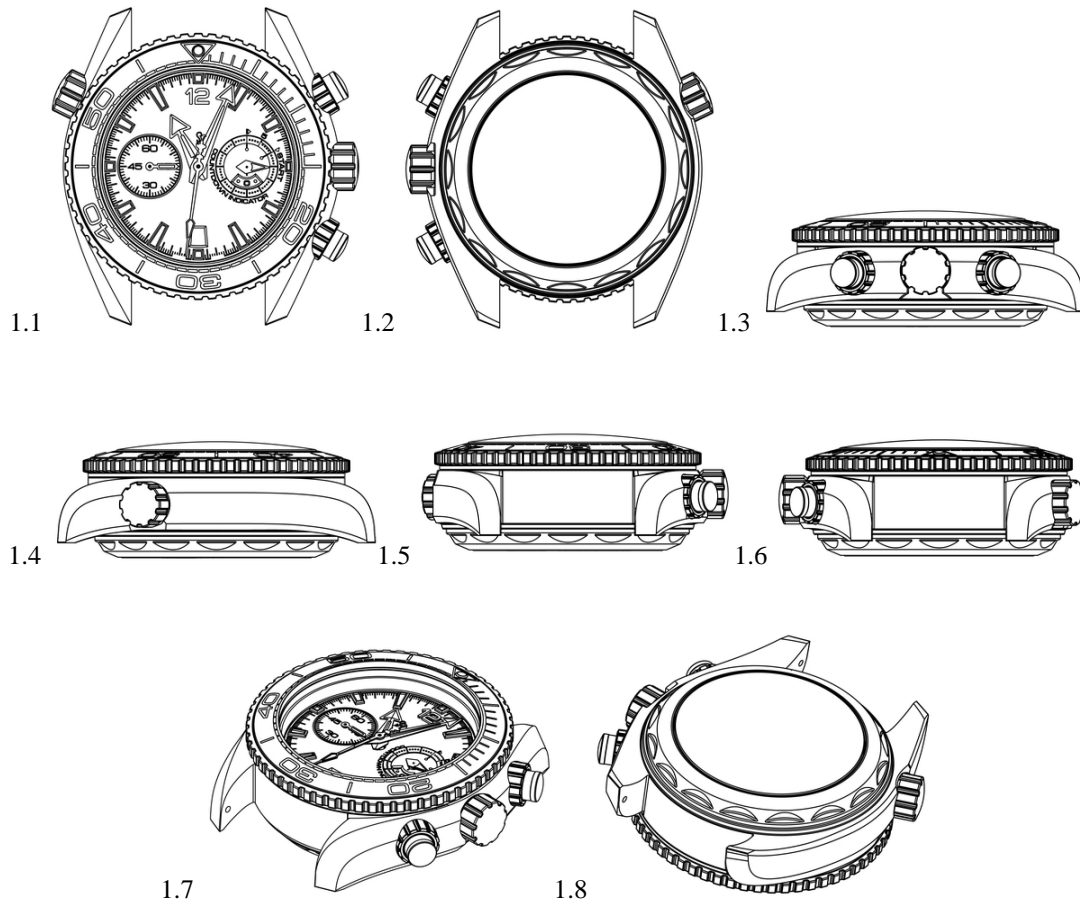
- (11) DM/225 711                   (51) 24-02
- (15) 2023 12 01                 (44) 48/2023 (2023 12 01)
- (22) 2023 12 01
- (28) 1
- (30) No1: 02.06.2022; 009051675; EM
- (73) Adventia Pharma S.L.  
       Viera y Clavijo, 30, 2ª Planta, 35002 Las Palmas de Gran Canarias, Las Palmas (ES);  
       Andrés Cabello Rey  
       Viera y Clavijo, 30, 2ª Planta, 35002, Las Palmas de Gran Canarias, Las Palmas (ES)
- (85) -; -
- (86) ES; ES
- (87) -; -
- (88) -; -
- (89) EM; EM
- (81) III. AL, AM, AZ, BA, BN, BW, BY, BZ, CA, CH, CN, EG, GB, GE, GH, IL, IS, JM, JP, KG, KH, KP, KR,  
       LI, MA, MC, MD, ME, MK, MN, MX, NA, NO, OA, OM, RS, RU, RW, SG, SM, SR, ST, TJ, TN, TR, UA,  
       US, VN, WS
- (72) Andrés Cabello Rey  
       Viera y Clavijo, 30, 2ª Planta, 35002, Las Palmas de Gran Canarias, Las Palmas (ES)
- (74) ABG Intellectual Property, S.L.  
       Avda. de Burgos 16D – Edificio Euromor, 28036 Madrid (ES)
- (46) 2023 12 01
- (54) 1. DROPPER REGULATOR
- (55)



- (11) DM/228 813                   (51) 14-02
- (15) 2023 04 18                   (44) 49/2023 (2023 12 08)
- (22) 2023 04 18
- (28) 1
- (73) DLT Insight PTE. LTD  
Unit 15-01 Valley Point Office Tower, 491B River Valley Road, 248373, Singapore (SG)
- (85) –
- (86) SG
- (87) SG
- (88) –
- (89) SG
- (81) III. US, CA, GE, TR, RU, EM, CN, MX, AM, SG, BY, AZ, GB
- (72) Dmitrii Anatolevich Chudinovskikh  
ul.Kraulya, d.80, korp.2, kv.119, 620131, Yekaterinburg (RU)
- (74) Tatiana Aleksandrovna Vagenleitner  
a/ya 798, Intellect, 620000 Ekaterinburg (RU)
- (46) 2023 05 19
- (54) 1. CONTROL FOR THE SMART MIDI CONTROLLER
- (55)



- (11) DM/229 640
- (15) 2023 06 09
- (22) 2023 06 09
- (28) 1
- (73) Omega SA (Omega AG) (Omega LTD.)  
Jakob-Stämpfli-Strasse 96, 2502 Biel/Bienne (CH)
- (85) CH
- (86) CH
- (87) CH
- (88) CH
- (89) CH
- (81) III. AL, AM, AZ, BA, BZ, CH, EM, GB, GE, KG, LI, MA, MC, MD, ME, MK, MN, NO, OM, RU, SG,  
TN, TR, UA
- (72) Gregory Kissling  
c/o Omega SA (Omega AG) (Omega LTD.) Jakob-Stämpfli-Strasse 96, 2502, Biel/Bienne (CH)
- (74) The Swatch Group AG (The Swatch Group SA) (The Swatch Group Ltd.)  
6, Faubourg du Lac, 2501 Biel/Bienne (CH)
- (46) 2023 12 15
- (54) 1. WATCH
- (55)





(11) DM/233 737

(51) 02-02

(15) 2023 11 16

(44) 51/2023 (2023 12 22)

(22) 2023 11 16

(28) 1

(73) Olga Troitskaya

Tarros 17-3, 08003 Barcelona, Catalonia (ES)

(85) ES

(86) RU

(87) ES

(88) –

(89) ES

(81) III. BX, BY, CA, CH, DE, DK, EE, EM, ES, FI, FR, GB, GE, IL, IS, JP, KR, LT, LV, NO, RS, RU, TR, UA, US

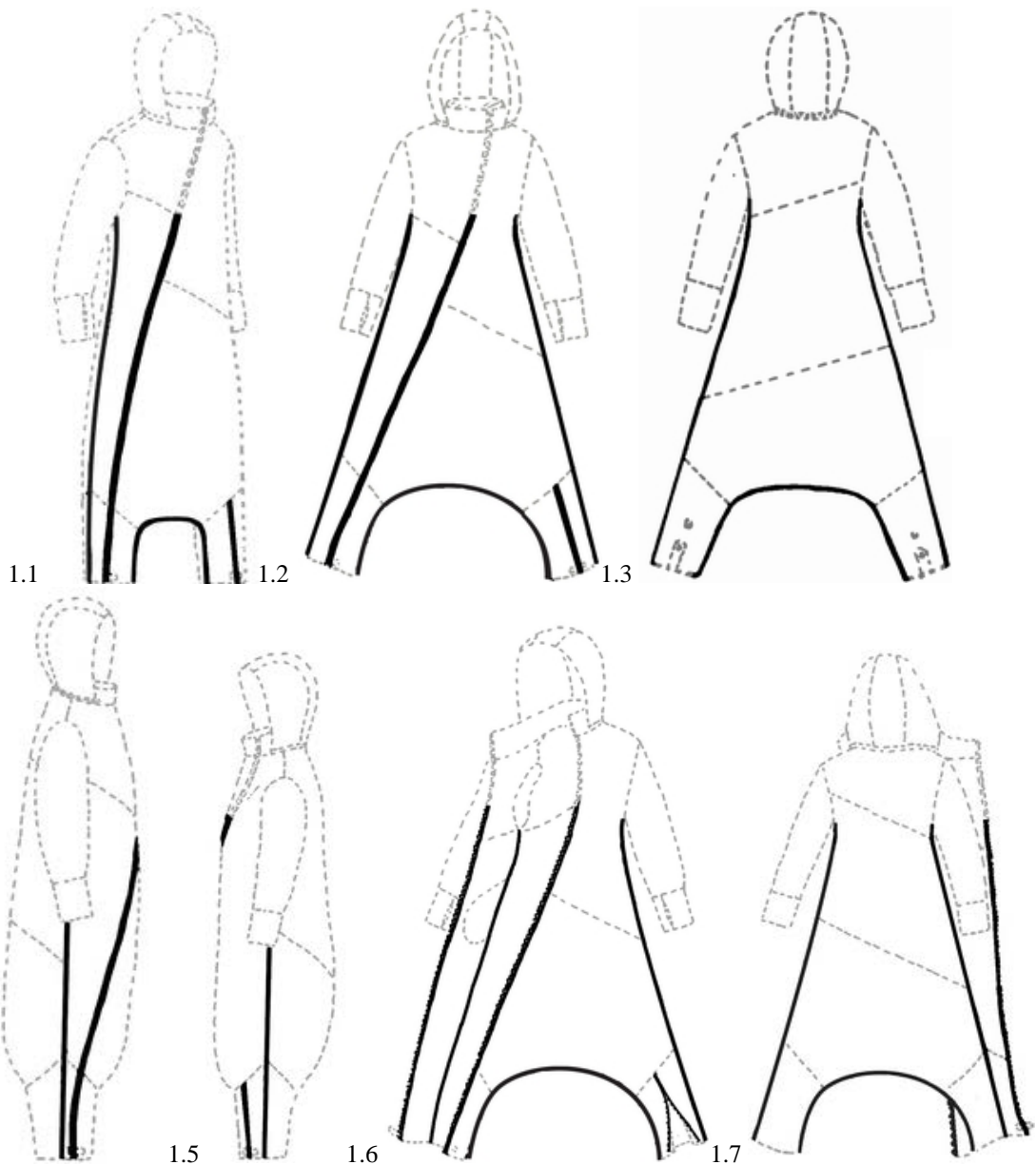
(72) Olga Troitskaya

Tarros 17-3, 08003 Barcelona, Catalonia (ES)

(46) 2023 12 22

(54) 1. JUMPSUIT

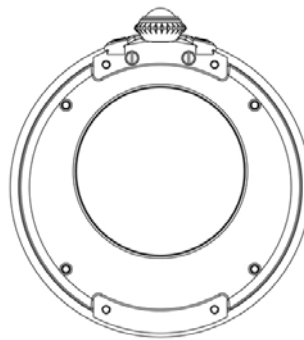
(55)



- (11) DM/229 760
- (15) 2023 06 16
- (22) 2023 06 16
- (28) 1
- (73) Harry Winston SA  
Chemin du Tourbillon 8, 1228 Plan-les-Ouates (CH)
- (85) CH
- (86) CH
- (87) CH
- (88) CH
- (89) CH
- (81) III. AL, AM, AZ, BA, BZ, CA, CH, EM, GB, GE, KG, LI, MA, MC, MD, ME, MK, MN, NO, OM, RU, SG,  
TN, TR, UA
- (72) Silvia BOTTEGHI  
c/o Harry Winston SA Chemin du Tourbillon 8, 1228, Plan-les-Ouates (CH)
- (74) The Swatch Group AG (The Swatch Group SA) (The Swatch Group Ltd.)  
Faubourg du Lac 6, 2501 Biel/Bienne (CH)
- (46) 2023 12 22
- (54) 1. WATCH CASE
- (55)



1.1



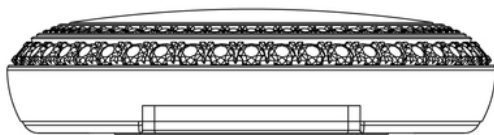
1.2



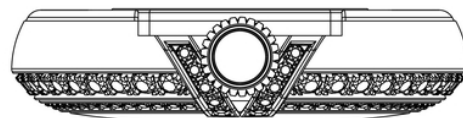
1.3



1.4



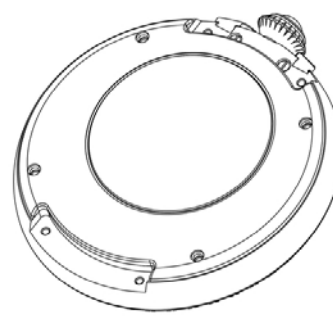
1.5



1.6

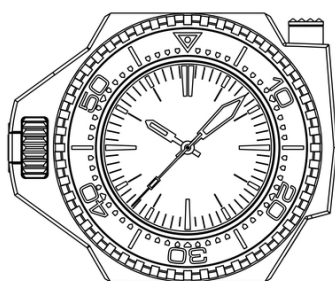


1.7

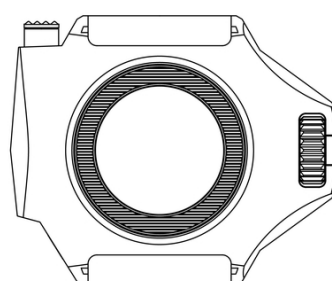


1.8

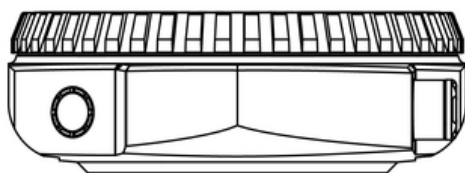
- (11) DM/229 940 (51) 10-02  
 (15) 2023 06 20 (44) 51/2023 (2023 12 22)  
 (22) 2023 06 20  
 (28) 3  
 (73) Omega SA (Omega AG) (Omega LTD.)  
 Jakob-Stämpfli-Strasse 96, 2502 Biel/Bienne (CH)  
 (85) CH  
 (86) CH  
 (87) CH  
 (88) CH  
 (89) CH  
 (81) III. AL, AM, AZ, BA, BZ, CH, EM, GB, GE, KG, LI, MA, MC, MD, ME, MK, MN, NO, OM, SG, TN,  
 TR, UA  
 (72) Gregory Kissling  
 c/o Omega SA (Omega AG) (Omega LTD.) Jakob-Stämpfli-Strasse 96, 2502, Biel/Bienne (CH)  
 (74) The Swatch Group AG (The Swatch Group SA) (The Swatch Group Ltd.)  
 6, Faubourg du Lac, 2501 Biel/Bienne (CH)  
 (46) 2023 12 22  
 (54) 1. WATCH, 2. WATCH DIAL, 3. WATCH CASEBACK  
 (55)



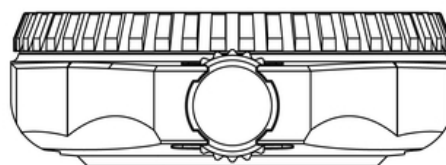
1.1



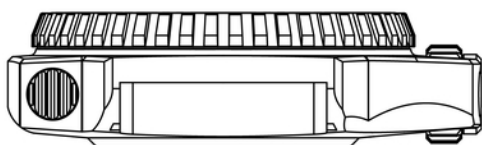
1.2



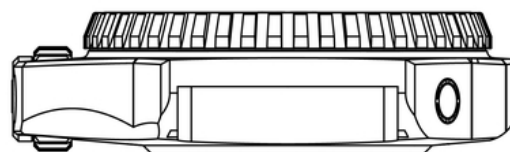
1.3



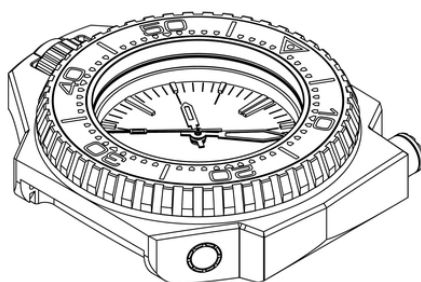
1.4



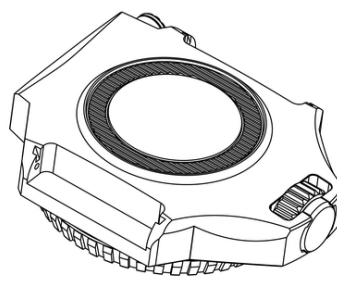
1.5



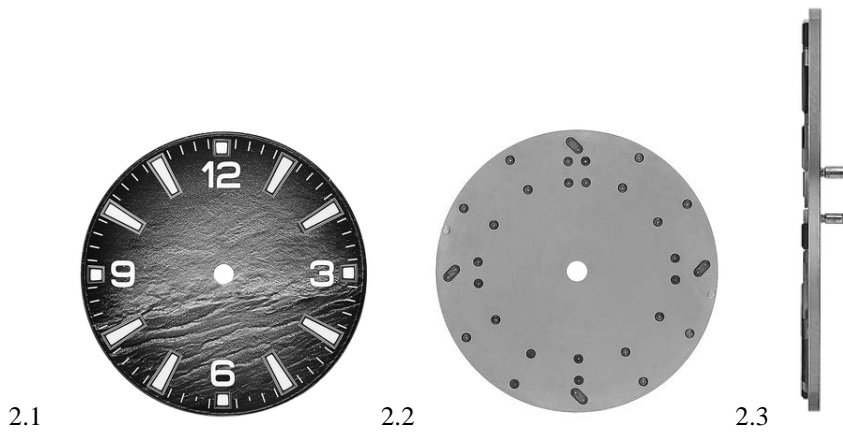
1.6



1.7



1.8



(11) DM/229 947

(51) 10-02

(15) 2023 06 20

(44) 51/2023 (2023 12 22)

(22) 2023 06 20

(28) 3

(73) Montres Breguet SA (Montres Breguet AG) (Montres Breguet Ltd)

Place de la Tour 23, 1344 L'Abbaye (CH)

(85) CH

(86) CH

(87) CH

(88) CH

(89) CH

(81) III. AL, AM, AZ, BA, BZ, CH, EM, GB, GE, KG, LI, MA, MC, MD, ME, MK, MN, NO, OM, SG, TN, TR, UA

(72) Vincenzo Laucella

c/o Montres Breguet SA (Montres Breguet AG) (Montres Breguet Ltd), Place de La Tour 23, 1344, L'Abbaye

(CH)

(74) The Swatch Group SA (The Swatch Group AG) (The Swatch Group Ltd.)

Faubourg du Lac 6, 2501 Biel / Bienna (CH)

(46) 2023 12 22

(54) 1.-3. WATCH

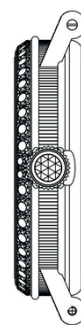
(55)



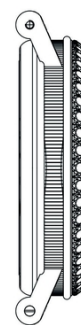
1.1



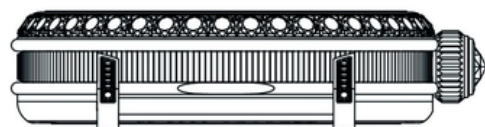
1.2



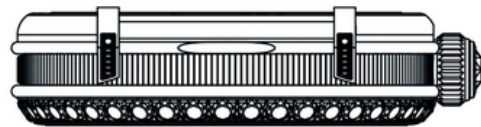
1.3



1.4



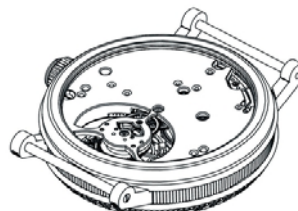
1.5



1.6



1.7



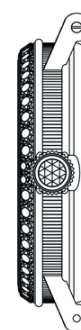
1.8



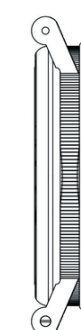
2.1



2.2

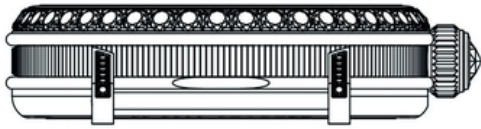


2.3

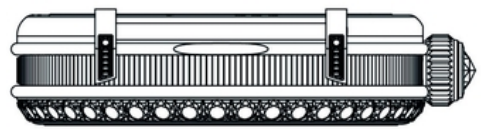


2.4

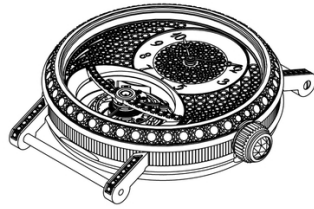
2.5



2.6



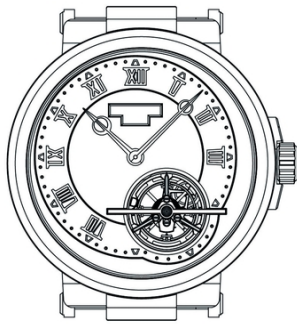
2.7



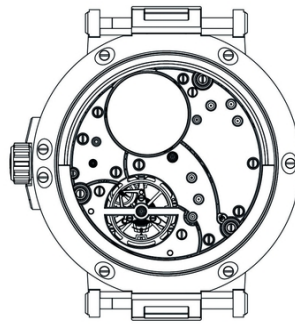
2.8



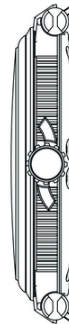
3.1



3.2



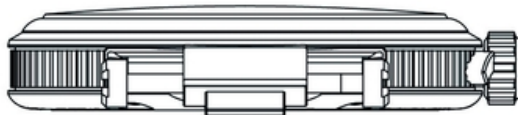
3.3



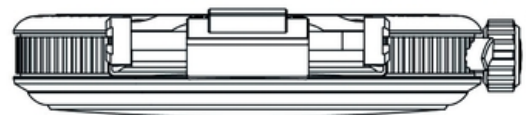
3.4



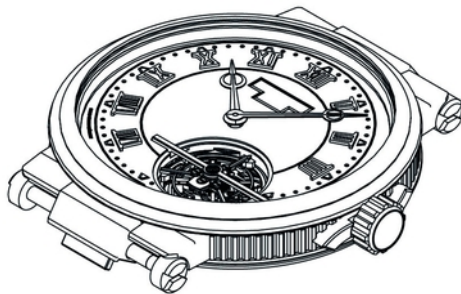
3.5



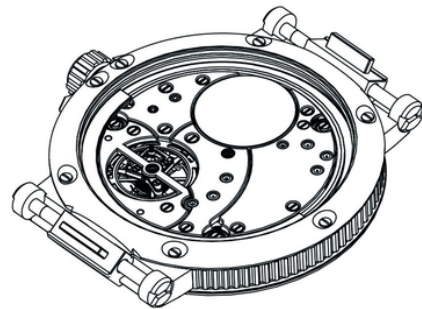
3.6



3.7



3.8



- (11) DM/229 761 (51) 11-01  
 (15) 2023 06 16 (44) 51/2023 (2023 12 22)  
 (22) 2023 06 16  
 (28) 2  
 (73) Harry Winston SA  
 Chemin Du Tourbillon 8, 1228 Plan-les-Ouates (CH)  
 (85) CH  
 (86) CH  
 (87) CH  
 (88) CH  
 (89) CH  
 (81) III. AL, AM, AZ, BA, BZ, CA, CH, EM, GB, GE, KG, LI, MA, MC, MD, ME, MK, MN, NO, OM, SG,  
 TN, TR, UA  
 (72) 1. Tobias WUEST  
 C/o Harry Winston Inc. 718 Fifth Avenue, 10019, New York (US);  
 2. Christina YANG  
 C/o Harry Winston Inc. 718 Fifth Avenue, 10019, New York (US)  
 (74) The Swatch Group AG (The Swatch Group SA) (The Swatch Group Ltd.)  
 Faubourg Du Lac 6, 2501 Biel/Bienne (CH)  
 (46) 2023 12 22  
 (54) 1. PAIR OF EARRINGS, 2. NECKLACE WITH PENDANT  
 (55)



1.1



1.2



1.3



1.4



1.5



1.6



1.7



1.8





2.1



2.2



2.3



2.4



2.5



2.6



2.7



2.8



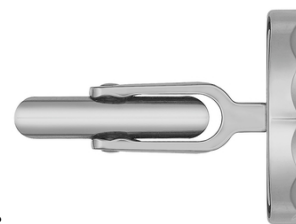
- (11) DM/230 101 (51) 02-07  
 (15) 2023 06 26 (44) 52/2023 (2023 12 29)  
 (22) 2023 06 26  
 (28) 1  
 (73) Omega SA (Omega AG) (Omega LTD.)  
 Jakob-Stämpfli-Strasse 96, 2502 Biel/Bienne (CH)  
 (85) CH  
 (86) CH  
 (87) CH  
 (88) CH  
 (89) CH  
 (81) III. AL, AM, AZ, BA, BZ, CH, EM, GB, GE, KG, LI, MA, MC, MD, ME, MK, MN, NO, OM, RU, SG,  
 TN, TR, UA  
 (72) Gregory Kissling  
 c/o Omega SA (Omega AG) (Omega LTD.), Jakob-Stämpfli-Strasse 96, 2502, Biel/Bienne (CH)  
 (74) The Swatch Group AG (The Swatch Group SA) (The Swatch Group Ltd.)  
 6, Faubourg du Lac, 2501 Biel/Bienne (CH)  
 (46) 2023 12 29  
 (54) 1. CUFFLINK  
 (55)



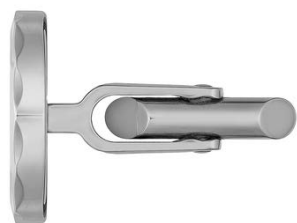
1.1



1.2



1.3



1.4



1.5



1.6

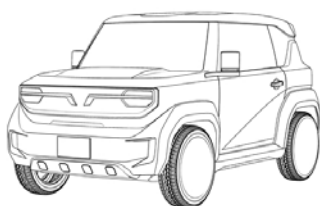


1.7



1.8

- (11) DM/233 972
- (15) 2023 11 21
- (22) 2023 11 21
- (28) 1
- (30) No1: 26.05.2023; 3-2023-01159; VN
- (73) Vinfast Trading And Production Joint Stock Company  
Dinh Vu – Cat Hai Economic Zone, Cat Hai Island, Cat Hai Town, Cat Hai District Hai Phong (VN)
- (85) –
- (86) VN
- (87) VN
- (88) –
- (89) VN
- (81) III. AM, AZ, BR, BY, CA, CH, EM, FR, GB, GE, IL, IS, KG, KH, MD, MX, NO, OM, RU, TJ, TM, TR, UA, US
- (72) Adam Ty Dean Smith  
50 Duke Street, Abbotsford VIC 3147, Victoria (AU);  
Justin James Thompson  
50 Duke Street, Abbotsford VIC 3147, Victoria (AU);  
Jae Hoon Lee  
50 Duke Street, Abbotsford VIC 3147, Victoria (AU);  
Joao Marcos De Oliveira Ramos  
R1.05 Building, Apt 2521, Vinhomes Ocean Park, Gia Lam, Hanoi (VN)
- (74) Ambys Hanoi Law Firm  
No. 3 Lane 123 Au Co Road, Dist. Tay Ho Hanoi (VN)
- (46) 2023 12 29
- (54) 1. AUTOMOBILE
- (55)



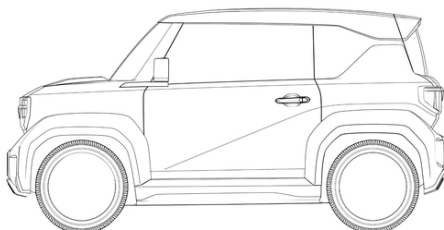
1.1



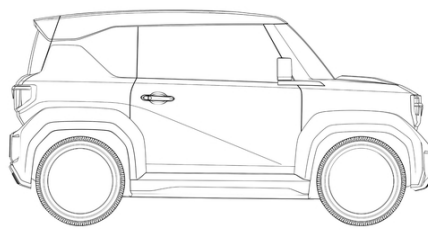
1.2



1.3



1.4



1.5



1.6

---

---

# TRADEMARKS

## APPLICATIONS FILED UNDER THE NATIONAL PROCEDURE APPROVED FOR REGISTRATION

The decision can be appealed at the Chamber of Appeal of Sakpatenti within 3 months from the publication or at the Mtskheta District Court Administrative Cases Board (Address: №17, Samkhedro St., Mtskheta), within 1 month following the publication.

- (260) AM 2024 120367 A  
(210) AM 120367  
(220) 2022 11 17  
(731) Artur Saifutdinov  
Timiryazev St. 2A-27, Almetievsk, Russian  
Federation  
(740) Elene Germanozashvili  
(540)



- (591) Black, white, sky-blue, yellow, red  
(531) 24.17.02; 26.04.02; 26.04.05; 26.04.22;  
26.04.24; 27.05.01; 27.05.24; 29.01.14  
(511) 43
- 

- (260) AM 2024 122031 A  
(210) AM 122031  
(220) 2023 03 15  
(731) IDS Borjomi Beverages Co.N.V.  
Pareraweg N45, Curaçao  
(740) Giorgi Jokharidze  
(540)



- (591) A4A2A5 grey, DF2F20 red,  
1B223F dark blue, FFFFFFF white, 078280  
green (so-called "Borjomi Green")  
(531) 03.04.07; 03.04.24; 06.01.04; 06.03.11;  
06.03.14; 06.03.20; 06.07.11; 19.07.01;  
19.07.23; 28.19  
(526) BORJOMI  
(511) 32, 35
- 

- (260) AM 2024 122032 A  
(210) AM 122032  
(220) 2023 03 15  
(731) IDS Borjomi Beverages Co.N.V.  
Pareraweg N45, Curaçao  
(740) Giorgi Jokharidze  
(540)



- (591) FFFFFFF white, A4A2A5 grey, 1B223F  
dark blue, DF2F20 red, 078280 green  
(so-called "Borjomi Green")  
(531) 03.04.07; 03.04.24; 06.01.02; 06.03.11;  
06.03.14; 06.03.20; 06.07.11; 07.01.24;  
19.07.01; 19.07.23; 28.19; 29.01.15  
(526) BORJOMI  
(511) 32, 35
- 

- (260) AM 2024 122293 A  
(210) AM 122293  
(220) 2023 04 05  
(731) NGO "Business Georgia"

Zghvisubani Settlement, IV m/r, bld. 4, ap. 30,  
0197, Nadzaladevi District, Tbilisi, Georgia  
(740) Ana Kordzakhia  
(540)



(591) 353664 dark purple, 2C6F8C pale sky-blue  
(531) 27.05.01; 27.05.10; 27.05.22; 27.05.24;  
29.01.12  
(526) Georgia  
(511) 41

(260) AM 2024 122294 A  
(210) AM 122294  
(220) 2023 04 05  
(731) Mzia Maskhulia  
Mshvidoba St. 117, Senaki, Georgia  
(540)



(591) Black-white  
(531) 02.07.02  
(526) აჭარა, Adjara  
(511) 41

(260) AM 2024 122648 A  
(210) AM 122648  
(220) 2023 04 28  
(731) LTD "Gvirila Rethale"  
Permtsarta St., Lane 19, Vake District, Tbilisi,  
Georgia  
(540)



(591) White, black, yellow  
(531) 05.03.13; 05.03.14; 26.04.02; 26.04.07;  
26.04.15; 26.04.22; 26.04.24; 27.05.01;  
27.05.24; 28.19; 29.01.15

(511) 1, 2, 3, 4, 5, 6, 7, 8, 9, 10, 11, 12, 13, 14, 15, 16,  
17, 18, 19, 20, 21, 22, 23, 24, 25, 26, 27, 28, 31,  
32, 33, 34, 36, 37, 38, 39, 40, 41, 42, 43,  
44, 45

(260) AM 2024 122749 A  
(210) AM 122749  
(220) 2023 05 11  
(731) Risen Energy Co., Ltd.  
Tashan Industrial Park, Meilin Sub-district,  
Ninghai County, Zhejiang Province, People's  
Republic of China  
(740) Shalva Gvaramadze  
(540)



(591) White, yellow, red, orange, sky-blue, various  
shades of green, blue  
(531) 26.01.01; 26.01.12; 26.01.24; 27.05.01;  
27.05.17; 29.01.15  
(511) 9

(260) AM 2024 123314 A  
(210) AM 123314  
(220) 2023 06 09  
(731) LTD "Renover Georgia"  
Petre Kavtaradze St., Lane III 5, ap. 37, 0186,  
Tbilisi, Georgia  
(540)



(591) Morengo, white  
(531) 26.04.02; 26.04.22; 26.04.24; 27.05.24  
(511) 8, 11, 21

(260) AM 2024 123337 A  
(210) AM 123337  
(220) 2023 06 13  
(731) LTD "Aversi Pharma"  
Davit Aghmashenebeli Av. 148, 0112, Tbilisi,  
Georgia  
(540)



(591) Black-white  
(511) 3, 5

(260) AM 2024 123347 A  
 (210) AM 123347  
 (220) 2023 06 14  
 (731) LTD "BK-Imex"  
 Z. Sakandelidze St. 7, ap. 11, Vake District,  
 Tbilisi, Georgia

(540)



(591) Black-white  
 (531) 26.04.02; 26.04.22; 26.04.24; 26.11.01;  
 26.11.06; 27.05.01; 27.05.10; 27.05.24; 28.19  
 (511) 35

(260) AM 2024 123363 A  
 (210) AM 123363  
 (220) 2023 06 16  
 (731) Russell Brands LLC  
 One Fruit of the Loom Drive, Bowling Green,  
 Kentucky 42103, USA

(740) Tamaz Shilakadze

(540)



(591) Black-white  
 (531) 03.07.01; 03.07.02; 27.03.01; 27.03.03;  
 27.05.01; 27.05.17; 27.05.21  
 (511) 25

(260) AM 2024 123421 A  
 (210) AM 123421  
 (220) 2023 06 21  
 (731) LTD "Tfilisis Marani"  
 Paliashvili St. 33, ap. 6, 0179, Tbilisi, Georgia

(540)

## სადამოს კახეთი Вечерний Кахети

(591) 000000 Black-white  
 (531) 28.19  
 (526) კახეთი Кахети  
 (511) 32

(260) AM 2024 123479 A  
 (210) AM 123479  
 (220) 2023 06 23  
 (310) 018816676  
 (320) 2022 12 23  
 (330) EUIPO  
 (731) Kerten Unlimited Company  
 13-18 City Quay, Dublin 2, Ireland  
 (740) Giorgi Kartvelishvili

(540)



OUSPACE

(591) Brown, white  
 (531) 03.13.05; 26.05.04; 29.01.02  
 (511) 36, 43

(260) AM 2024 123509 A  
 (210) AM 123509  
 (220) 2023 06 28  
 (731) LTD " Georgian Industrial Asset Management  
 Group"  
 Rustaveli St. 174, 6200, Kobuleti, Georgia

(540)



(591) Black, brown, golden  
 (531) 05.01.03; 05.01.05; 05.01.11; 24.01.10;  
 24.01.15; 29.01.12  
 (511) 29, 30, 31, 32

(260) AM 2024 123513 A  
 (210) AM 123513  
 (220) 2023 06 29  
 (731) Elene Shavdia  
 Tskneti Highway 39, ap. 1A, 0162, Tbilisi,  
 Georgia  
 (740) Ioane Iarajuli;  
 Lia Shikhiashvili;  
 Zurab Bezhashvili

(540)



(591) Black-white  
 (531) 27.01.12; 28.19  
 (511) 25

(260) AM 2024 123580 A  
 (210) AM 123580  
 (220) 2023 07 03  
 (731) Nana Avaliani  
 Temka, III m/r, Nishnianidze St. 35, ap. 15,  
 Tbilisi, Georgia  
 (540)



(591) Black-white  
 (531) 02.09.01; 26.04.09; 27.03.01; 27.03.02; 28.19  
 (511) 25

(260) AM 2024 123593 A  
 (210) AM 123593  
 (220) 2023 07 05  
 (731) LLC "Moli Market"  
 Mtkvari St. 6/Zviad Gamsakhurdia Beach 34,  
 floor 1, ap. 1A, 0114, Tbilisi, Georgia  
 (740) Lia Shikhiashvili;  
 Zurab Bezhashvili  
 Ioane Iarajuli

(540)



(591) Yellow, red, lilac, white, black  
 (531) 02.03.01; 26.01.14; 27.05.01; 28.19; 29.01.15  
 (511) 30, 35

(260) AM 2024 123600 A  
 (210) AM 123600  
 (220) 2023 07 06  
 (731) Nutrex Research Inc.  
 579 S. Econ Circle, Oviedo, FL 32765, USA  
 (740) Giorgi Taktakishvili  
 (540)



(591) Black-white  
 (531) 26.11.08; 27.05.02; 27.05.11  
 (511) 5, 35

(260) AM 2024 123604 A  
 (210) AM 123604  
 (220) 2023 07 07  
 (731) Vistros INTL - F.Z.E  
 Makateb Business Centers, Office No.26,

Al Shorafa Complex, Sh Khalifa Bin Zayed  
 Road, P.O. Box 380, Ajman, United Arab  
 Emirates

(540)



**HOCKEY**

(591) Black-white  
 (531) 02.01.08; 27.05.01  
 (511) 34

(260) AM 2024 123619 A  
 (210) AM 123619  
 (220) 2023 07 12  
 (731) XCMG Construction Machinery Co., Ltd  
 No. 26 Tuolanshan Road, Xuzhou Economic  
 and Technological Development Zone, Jiangsu  
 Province, People's Republic of China  
 (740) Giorgi Kartvelishvili  
 (540)



(591) Black-white  
 (531) 26.03.05; 26.03.24; 26.04.01; 26.04.04;  
 26.04.10; 26.05.01; 26.05.10; 27.05.01;  
 27.05.17; 27.05.19  
 (511) 7, 12, 35, 37

(260) AM 2024 123625 A  
 (210) AM 123625  
 (220) 2023 07 12  
 (731) Motorherz GmbH  
 Immermannstraße 13, 40210 Düsseldorf,  
 Germany  
 (740) Giorgi Taktakishvili  
 (540)

**KRAUF**

(591) Black-white  
 (511) 1, 2, 3, 6, 7, 9, 11, 12, 16, 17, 25, 35

(260) AM 2024 123887 A  
 (210) AM 123887  
 (220) 2023 07 17  
 (731) LTD "Welfar Geo"  
 Al. Kazbegi Av. 34-34B, 0177, Vake-Saburtalo  
 District, Tbilisi, Georgia  
 (540)

**სეროლეპი**

(591) Black-white  
 (511) 5

(260) AM 2024 123888 A  
 (210) AM 123888  
 (220) 2023 07 17  
 (731) LTD "Welfar Geo"  
 Al. Kazbegi Av. 34-34B, 0177, Vake-Saburtalo  
 District, Tbilisi, Georgia  
 (540)

## სევპრამი

(591) Black-white  
 (511) 5

(260) AM 2024 123889 A  
 (210) AM 123889  
 (220) 2023 07 17  
 (731) LTD "Welfar Geo"  
 Al. Kazbegi Av. 34-34B, 0177, Vake-Saburtalo  
 District, Tbilisi, Georgia  
 (540)

## აკნეტი

(591) Black-white  
 (511) 5

(260) AM 2024 123890 A  
 (210) AM 123890  
 (220) 2023 07 17  
 (731) LTD "Welfar Geo"  
 Al. Kazbegi Av. 34-34B, 0177, Vake-Saburtalo  
 District, Tbilisi, Georgia  
 (540)

## კონარეჟი

(591) Black-white  
 (511) 5

(260) AM 2024 123891 A  
 (210) AM 123891  
 (220) 2023 07 17  
 (731) LTD "Welfar Geo"  
 Al. Kazbegi Av. 34-34B, 0177, Vake-Saburtalo  
 District, Tbilisi, Georgia  
 (540)

## დემოტონი-B12

(591) Black-white  
 (511) 5

(260) AM 2024 123892 A  
 (210) AM 123892  
 (220) 2023 07 17  
 (731) LTD "Welfar Geo"  
 Al. Kazbegi Av. 34-34B, 0177, Vake-Saburtalo  
 District, Tbilisi, Georgia

(540)

## ფაქსიმინი

(591) Black-white  
 (511) 5

(260) AM 2024 123893 A  
 (210) AM 123893  
 (220) 2023 07 17  
 (731) LTD "Welfar Geo"  
 Al. Kazbegi Av. 34-34B, 0177, Vake-Saburtalo  
 District, Tbilisi, Georgia  
 (540)

## ოფთამიციონი

(591) Black-white  
 (511) 5

(260) AM 2024 123895 A  
 (210) AM 123895  
 (220) 2023 07 17  
 (731) LLC "Mermisi"  
 Kristine Sharashidze St. 12, Tbilisi, Georgia  
 (740) Giorgi Taktakishvili  
 (540)

## ABIRATEC

(591) Black-white  
 (511) 5

(260) AM 2024 123897 A  
 (210) AM 123897  
 (220) 2023 07 17  
 (731) LLC "Mermisi"  
 Kristine Sharashidze St. 12, Tbilisi, Georgia  
 (740) Giorgi Taktakishvili  
 (540)

## CNU

(591) Black-white  
 (511) 5

(260) AM 2024 123898 A  
 (210) AM 123898  
 (220) 2023 07 17  
 (731) LLC "Mermisi"  
 Kristine Sharashidze St. 12, Tbilisi, Georgia  
 (740) Giorgi Taktakishvili  
 (540)

## CURAZA

(591) Black-white  
 (511) 5

(260) AM 2024 123899 A  
 (210) AM 123899  
 (220) 2023 07 17  
 (731) LLC "Mermisi"  
 Kristine Sharashidze St. 12, Tbilisi, Georgia  
 (740) Giorgi Taktakishvili  
 (540)

## ESTRANT

(591) Black-white  
 (511) 5

(260) AM 2024 123900 A  
 (210) AM 123900  
 (220) 2023 07 17  
 (731) LLC "Mermisi"  
 Kristine Sharashidze St. 12, Tbilisi,  
 Georgia  
 (740) Giorgi Taktakishvili  
 (540)

## RENALTEC

(591) Black-white  
 (511) 5

(260) AM 2024 123901 A  
 (210) AM 123901  
 (220) 2023 07 17  
 (731) LLC "Mermisi"  
 Kristine Sharashidze St. 12, Tbilisi,  
 Georgia  
 (740) Giorgi Taktakishvili  
 (540)

## TEMOMER

(591) Black-white  
 (511) 5

(260) AM 2024 123902 A  
 (210) AM 123902  
 (220) 2023 07 17  
 (731) LLC "Mermisi"  
 Kristine Sharashidze St. 12, Tbilisi,  
 Georgia  
 (740) Giorgi Taktakishvili  
 (540)

## NEUPOSTIM

(591) Black-white  
 (511) 5

(260) AM 2024 123906 A  
 (210) AM 123906  
 (220) 2023 07 17  
 (731) LTD "Renover Georgia"  
 Petre Kavtaradze St., III Lane 5, ap. 37, 0186,  
 Tbilisi, Georgia

(540)

# AVATAR

(591) Black-white  
 (531) 27.05.17  
 (511) 11

(260) AM 2024 123913 A  
 (210) AM 123913  
 (220) 2023 07 19  
 (731) Aleksandr Anatolevich Smirnov  
 Smolenskaya-Sennaya pl., dom 27,  
 stroenie 1A, kvartira 74, 119121,  
 Moscow, Russian Federation  
 (540)

## ПРАЗИЦИД

(591) Black-white  
 (531) 28.05  
 (511) 5

(260) AM 2024 123916 A  
 (210) AM 123916  
 (220) 2023 07 19  
 (731) LLC "Iramax Development"  
 Napareuli St. 5, 0179, Vake District, Tbilisi,  
 Georgia  
 (740) Saba Kevkhishvili  
 (540)



(591) 9FFFFAA pale green, 0075B8 pale blue  
 (531) 14.11.01; 26.04.09; 26.04.22; 26.04.24;  
 27.05.01; 27.05.24; 29.01.12  
 (511) 36, 37

(260) AM 2024 123917 A  
 (210) AM 123917  
 (220) 2023 07 20  
 (731) Toyota Jidosha Kabushiki Kaisha  
 (also trading as Toyota Motor Corporation)  
 1, Toyota-cho, Toyota-shi, Aichi-ken, Japan  
 (740) Tamar Kochlamazashvili  
 (540)

## TZ450e

(591) Black-white  
 (511) 12



(260) AM 2024 123996 A  
 (210) AM 123996  
 (220) 2023 07 21  
 (731) Limited Liability Company "Niki"  
 Egorievskoe shosse 15, 2nd floor, office 62,  
 140030, Moscow Region, Lyuberetskiy district,  
 Malakhovka settlement, Russian Federation  
 (740) Shalva Gvaramadze  
 (540)



(591) White, beige  
 (531) 27.05.01; 27.05.09; 27.05.10; 29.01.02  
 (511) 33

(260) AM 2024 124021 A  
 (210) AM 124021  
 (220) 2023 07 25  
 (731) Dayu Runlong (Beijing) Technology  
 Development Co., Ltd.  
 Room 204, 2 / F, Building 45, No. 109  
 Jinghaisan Road, Beijing Economic and  
 Technological Development Zone, Beijing,  
 People's Republic of China  
 (740) Pavle Meipariani  
 (540)



(591) Black-white  
 (531) 28.03; 28.05  
 (511) 30

(260) AM 2024 124048 A  
 (210) AM 124048  
 (220) 2023 07 27  
 (731) LLC "Auto-Bani 2000"  
 Peikrebi St. 14, Tbilisi, Georgia  
 (740) Giorgi Taktakishvili  
 (540)



(591) White, yellow, blue  
 (531) 26.04.03; 26.04.09; 26.04.18; 26.11.08;  
 27.05.01; 27.05.09; 27.05.10; 27.05.24;  
 29.01.13  
 (511) 9, 12, 35

(260) AM 2024 124050 A  
 (210) AM 124050  
 (220) 2023 07 27  
 (731) LLC "Auto-Bani 2000"  
 Peikrebi St. 14, Tbilisi, Georgia  
 (740) Giorgi Taktakishvili  
 (540)



(591) White, yellow, blue  
 (531) 26.04.02; 26.04.03; 26.04.09; 26.04.18;  
 26.04.22; 26.04.24; 28.19; 29.01.13  
 (511) 9, 12, 35

(260) AM 2024 124144 A  
 (210) AM 124144  
 (220) 2023 08 01  
 (731) LTD "Metropool"  
 Zaza Panaskertel-Tsitsihvili St., bld. 16,  
 ap. 55, Tbilisi, Georgia  
 (740) Giorgi Taktakishvili  
 (540)



(591) Grey, sky-blue, lilac, white, black  
 (531) 01.15.21; 26.03.19; 26.15.01; 28.19; 29.01.15  
 (511) 41

(260) AM 2024 124145 A  
 (210) AM 124145  
 (220) 2023 08 01  
 (731) LTD "Metropool"  
 Zaza Panaskertel-Tsitsihvili St., bld. 16,  
 ap. 55, Tbilisi, Georgia  
 (740) Giorgi Taktakishvili  
 (540)



(591) Lilac, sky-blue, grey, white, black  
 (531) 01.15.21; 26.03.19; 27.05.01; 29.01.15  
 (511) 41

(260) AM 2024 124147 A  
 (210) AM 124147  
 (220) 2023 08 01  
 (731) LLC "Re:Soft"  
 Asmati St. 58, Entrance 1, floor 9, (mansard floor), Village Dighomi, Tbilisi, Georgia  
 (540)

re:soft

(591) Black-white  
 (531) 24.17.01; 27.05.01  
 (511) 9, 35, 36, 41, 42

(260) AM 2024 124154 A  
 (210) AM 124154  
 (220) 2023 08 02  
 (731) LTD "Wine Thieves"  
 E. Bezhanishvili St. 25, ap. 10, Nadzaladevi District, Tbilisi, Georgia  
 (540)



(591) White, orange  
 (531) 02.09.15; 05.07.10; 11.03.02; 26.01.21; 27.01.12; 29.01.12  
 (511) 35

(260) AM 2024 124158 A  
 (210) AM 124158  
 (220) 2023 08 03  
 (731) LTD "Treadline"  
 Gamrekeli St. 19, Office 29, Tbilisi, Georgia  
 (540)

ATRIO

(591) Black-white  
 (531) 27.05.01; 28.19  
 (511) 25, 35

(260) AM 2024 124163 A  
 (210) AM 124163  
 (220) 2023 08 03  
 (731) LTD "Treadline"  
 Gamrekeli St. 19, Office 29, Tbilisi, Georgia

(540)



(591) Black-white  
 (531) 26.01.21; 27.05.02; 27.05.22  
 (511) 25, 35

(260) AM 2024 124165 A  
 (210) AM 124165  
 (220) 2023 08 03  
 (731) LTD "Treadline"  
 Gamrekeli St. 19, Office 29, Tbilisi, Georgia  
 (540)



(591) Black-white  
 (531) 27.05.01; 28.19  
 (511) 25, 35

(260) AM 2024 124166 A  
 (210) AM 124166  
 (220) 2023 08 03  
 (731) LTD "Treadline"  
 Gamrekeli St. 19, Office 29, Tbilisi, Georgia  
 (540)

KID'S | GALLERY



(591) Red, white  
 (531) 26.11.07; 26.11.08; 27.05.01; 27.05.11; 28.19; 29.01.01  
 (511) 25, 35

(260) AM 2024 124168 A  
 (210) AM 124168  
 (220) 2023 08 03  
 (731) Goldwind Science & Technology Co., Ltd.  
 No. 107 Shanghai Road, Economic & Technological Development Zone, Urumqi, Xinjiang 830026, People's Republic of China  
 (740) Shalva Gvaramadze

(540)



(591) Black-white

(531) 26.11.03; 26.11.06; 26.11.12

(511) 7, 42

(260) AM 2024 124174 A

(210) AM 124174

(220) 2023 08 03

(731) LTD "Treadline"

Gamrekeli St. 19, Office 29, Tbilisi, Georgia

(540)



(591) Black-white

(531) 26.04.05; 26.04.22; 26.04.24; 27.05.01;  
27.05.10; 27.05.24

(511) 25, 35

(260) AM 2024 124219 A

(210) AM 124219

(220) 2023 08 04

(731) LLC "ASR Service"

Moskow Av. 33, block 4, ap. 9, Samgori  
District, Tbilisi, Georgia

(540)



(591) FFFFFFF green, black

(531) 18.01.03; 18.01.07; 18.01.09; 26.03.16;  
26.03.19; 27.05.01; 27.05.10; 29.01.12

(511) 37

(260) AM 2024 124222 A

(210) AM 124222

(220) 2023 08 04

(731) Chery New Energy Automobile Co., LTD  
No.226 Huajin South Road, High-Tech  
Development Zone, Wuhu, Anhui Province,  
People's Republic of China

(740) Giorgi Kartvelishvili

(540)



(591) Black-white

(531) 26.01.02; 26.01.20; 26.01.24; 27.05.01;  
27.05.24

(511) 37

(260) AM 2024 124224 A

(210) AM 124224

(220) 2023 08 07

(731) Mikheil Murtskhvaladze

A. Antonovskaya St. 9B, ap. 63, 0177, Tbilisi,  
Georgia

(540)



(591) 12CAEA sky-blue, 000000 black

(531) 24.15.02; 24.15.21; 26.03.23; 27.01.25;  
27.03.15; 27.05.01; 29.01.12

(511) 35, 39

(260) AM 2024 124236 A

(210) AM 124236

(220) 2023 08 08

(731) American-Cigarette Company (Overseas)  
Limited  
Route de France 17, Boncourt, CH-2926,  
Switzerland

(740) Tamar Kochlamazashvili

(540)



(591) Grey, green, turquoise, black, pale green

(531) 25.01.01; 25.01.19; 25.05.02; 26.04.02;  
26.04.09; 26.04.10; 26.04.22; 27.05.01;  
29.01.12

(511) 34

(260) AM 2024 124242 A  
 (210) AM 124242  
 (220) 2023 08 09  
 (731) Bridgeston Corporation  
 1-1, Kyobashi 3-chome, Chuo-ku, Tokyo,  
 Japan  
 (740) Tamar Kochlamazashvili  
 (540)

**BRIDGESTONE**

FLEET POINT

(591) Black, white red  
 (531) 26.03.23; 26.04.02; 26.04.22; 26.04.24;  
 26.11.01; 26.11.06; 26.11.08; 27.05.10;  
 27.05.10; 27.05.24; 29.01.13  
 (511) 35, 37

(260) AM 2024 124248 A  
 (210) AM 124248  
 (220) 2023 08 10  
 (731) LTD "Gametech"  
 Adam Mickiewicz St. 29B, Tbilisi, Georgia  
 (740) Nino Svanidze  
 (540)

**GTO**

(591) Black-white  
 (531) 23.01.01; 24.15.01; 27.05.23  
 (511) 42

(260) AM 2024 124305 A  
 (210) AM 124305  
 (220) 2023 08 14  
 (731) JSC "Kotekhi-Gurjaani Wine Factory"  
 K. Koroghlishvili St. 38, Gurjaani, Georgia  
 (540)

**Axiom**  
**აქსიომი**

(591) Black-white  
 (511) 33

(260) AM 2024 124306 A  
 (210) AM 124306  
 (220) 2023 08 14  
 (731) Mineral Circles Bearings FZCO.  
 Plot No. S60304, Street S1500, PO Box 27691,  
 Jebel Ali Free Zone South, United Arab  
 Emirates  
 (740) Liliana Darakhvelidze

(540)

**MCB**

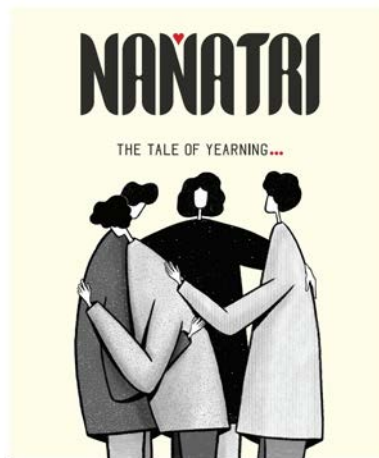
(591) Black-white  
 (531) 27.05.01; 27.05.11; 27.05.17  
 (511) 7

(260) AM 2024 124322 A  
 (210) AM 124322  
 (220) 2023 08 15  
 (731) FMC Agricultural Solutions A/S  
 (Denmark Public Limited Company)  
 Thyborønvej 78, 7673 Harbøre, Ronland,  
 Denmark  
 (740) Tamaz Shilakadze  
 (540)

**FURAVIA**

(591) Black-white  
 (511) 1, 5

(260) AM 2024 124331 A  
 (210) AM 124331  
 (220) 2023 08 15  
 (731) LTD "Gogicha"  
 12th St. 7, Village Kvemo Osiauri, 5704,  
 Khashuri Region, Georgia  
 (540)



(591) Black, ivory, grey, morengo, red  
 (531) 02.03.10; 02.03.16; 02.03.23; 02.03.24;  
 02.09.01; 27.05.01; 27.05.09; 27.05.10;  
 27.05.17; 29.01.14  
 (511) 32, 33, 43

(260) AM 2024 124332 A  
 (210) AM 124332  
 (220) 2023 08 15  
 (731) LTD "Gogicha"  
 12th St. 7, Village Kvemo Osiauri, 5704,  
 Khashuri Region, Georgia

(540)



(591) Black, ivory, grey, morengo, green  
 (531) 02.03.16; 02.03.23; 02.03.24; 02.09.01;  
 28.19; 29.01.14  
 (511) 32, 33, 43

(260) AM 2024 124339 A  
 (210) AM 124339  
 (220) 2023 08 15  
 (731) Adidas International Marketing BV  
 Khoogoorddreef 9a, Amsterdami, Zuidoost,  
 1101 BA, Netherlands  
 (740) Tamar Kochlamazashvili  
 (540)



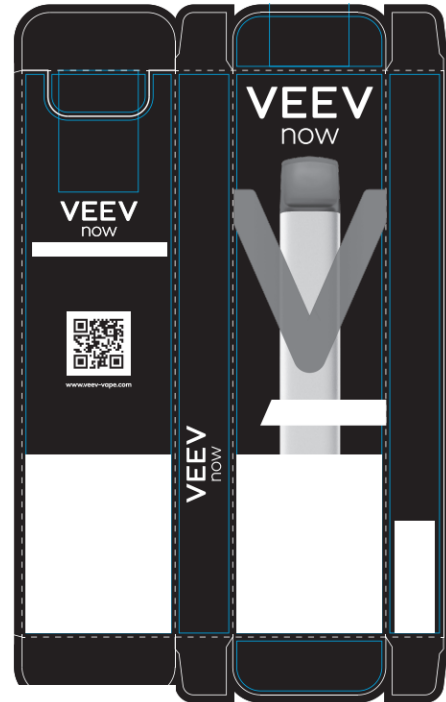
(591) Black-white  
 (531) 26.11.03; 26.11.06; 26.11.09  
 (511) 3, 9

(260) AM 2024 124340 A  
 (210) AM 124340  
 (220) 2023 08 15  
 (731) Adidas AG.  
 Adi-Dassler-Strasse 1, Herzogenaurach, 91074,  
 Germany  
 (740) Tamar Kotchlamazashvili  
 (540)



(591) Black-white  
 (531) 05.03.15; 26.11.03; 26.11.05; 26.11.08  
 (511) 3, 9

(260) AM 2024 124345 A  
 (210) AM 124345  
 (220) 2023 08 16  
 (731) Philip Morris Products S.A.  
 Ke Janreno 3, Neuchâtel, 2000, Switzerland  
 (740) Pavle Meipariani  
 (540)



(591) Black-white, blue, various shades of grey  
 (531) 10.01.18; 19.03.24; 27.05.01; 27.05.24  
 (511) 34

(260) AM 2024 124349 A  
 (210) AM 124349  
 (220) 2023 08 17  
 (731) Nicoventures Holdings Limited  
 Globe House, 1 Water Street, London, WC2R  
 3LA, United Kingdom  
 (740) Tamar Kochlamazashvili  
 (540)



(591) Black-white  
 (531) 01.15.15; 26.01.01; 26.01.18; 26.01.24;  
 26.11.09; 27.05.01; 27.05.21  
 (511) 34

(260) AM 2024 124355 A  
(210) AM 124355  
(220) 2023 08 17  
(731) Irakli Gordeladze  
Vazha-Pshavela Av. 76B, ap. 59, Tbilisi,  
Georgia  
(740) Mariam Gogitidze  
(540)



(591) Red, orange, ivory, blue  
(531) 08.01.04; 08.01.06; 08.01.09; 16.03.13;  
27.05.01; 27.05.02; 27.05.17; 29.01.14  
(511) 29, 30, 32, 43

---

(260) AM 2024 124412 A  
(210) AM 124412  
(220) 2023 08 18  
(731) 82 S.r.l.  
Via Terraglio 17, 30174 Venezia Mestre, Italy  
(740) Giorgi Taktakishvili  
(540)

**PIOMBO**

(591) Black-white  
(511) 25

---

(260) AM 2024 124831 A  
(210) AM 124831  
(220) 2023 08 03  
(731) LTD "Tradeline"  
Gamrekeli St. 19, Office 29, Tbilisi, Georgia  
(540)

ქილს | ბალოზი

**KID'S  
GALLERY**

(591) White, red  
(531) 26.11.07; 26.11.08; 27.05.01; 27.05.11;  
28.19; 29.01.01  
(511) 25, 35

---

---

**REGISTERED TRADEMARKS**

(111) M 2024 37948 R  
 (151) 2024 02 27  
 (181) 2034 02 27  
 (260) AM 2023 122120 A  
 (220) 2023 03 21  
 (732) LTD "Akhali Ambebi"  
 T. Iosebidge St. 49, 0160, Tbilisi, Georgia

---

(111) M 2024 37956 R  
 (151) 2024 03 04  
 (181) 2034 03 04  
 (260) AM 2020 110203 A  
 (220) 2020 10 19  
 (732) Inner Mongolia Yili Industrial  
 Group Co., LTD.  
 N1 Jinshan Roud, Jinshan Development  
 Zoun, Hopot, People's Republic of China

---

(111) M 2024 37957 R  
 (151) 2024 03 04  
 (181) 2034 03 04  
 (260) AM 2020 110204 A  
 (220) 2020 10 19  
 (732) Inner Mongolia Yili Industrial  
 Group Co., LTD.  
 N1 Jinshan Roud, Jinshan Development  
 Zoun, Hopot, People's Republic of China

---

(111) M 2024 37958 R  
 (151) 2024 03 04  
 (181) 2034 03 04  
 (260) AM 2022 120514 A  
 (220) 2022 11 28  
 (732) Natela Shekhilashvili  
 Paolo Iashvili St., Dead End 3, Sachkhere,  
 Georgia

---

(111) M 2024 37959 R  
 (151) 2024 03 04  
 (181) 2034 03 04  
 (260) AM 2022 120701 A  
 (220) 2022 12 09  
 (732) LTD "G T C Group"  
 Ekvtime Kheladze St. 33, 0131, Tbilisi,  
 Georgia

---

(111) M 2024 37960 R  
 (151) 2024 03 04  
 (181) 2034 03 04  
 (260) AM 2023 121298 A  
 (220) 2023 01 20

(732) Darine Dumbadze  
 Tevdore Mghvedeli St. 29, b. 18, Batumi,  
 Georgia

---

(111) M 2024 37961 R  
 (151) 2024 03 04  
 (181) 2034 03 04  
 (260) AM 2023 121347 A  
 (220) 2023 01 26  
 (732) LTD "Winpak Professional"  
 University St. 24, Entranse 4, fl. 7, 0186,  
 Tbilisi, Georgia

---

(111) M 2024 37962 R  
 (151) 2024 03 04  
 (181) 2034 03 04  
 (260) AM 2023 121436 A  
 (220) 2023 02 02  
 (732) Manana Meskhishvili  
 Vill. Poka, Ninotsminda, Georgia

---

(111) M 2024 37963 R  
 (151) 2024 03 04  
 (181) 2034 03 04  
 (260) AM 2023 121500 A  
 (220) 2023 02 03  
 (732) LTD "Palavani"  
 Shindisi Hughway 19, Gori, Georgia

---

(111) M 2024 37964 R  
 (151) 2024 03 04  
 (181) 2034 03 04  
 (260) AM 2023 121530 A  
 (220) 2023 02 08  
 (732) RB Health (US) LLC  
 399 Interpace Parkway, Parsippany, New Jersey  
 07054, USA

---

(111) M 2024 37965 R  
 (151) 2024 03 04  
 (181) 2034 03 04  
 (260) AM 2023 121531 A  
 (220) 2023 02 08  
 (732) RB Health (US) LLC  
 399 Interpace Parkway, Parsippany, New Jersey  
 07054, USA

---

(111) M 2024 37966 R  
(151) 2024 03 04  
(181) 2034 03 04  
(260) AM 2023 121733 A  
(220) 2023 02 20  
(732) Enriko Beridze  
G. Tsitsishvili St. 18, Tbilisi, Georgia

---

(111) M 2024 37967 R  
(151) 2024 03 04  
(181) 2034 03 04  
(260) AM 2023 121764 A  
(220) 2023 02 22  
(732) LLC "Silk Road Group Holding"  
Republic Square, Tbilisi, Georgia

---

(111) M 2024 37968 R  
(151) 2024 03 04  
(181) 2034 03 04  
(260) AM 2023 121769 A  
(220) 2023 02 23  
(732) Salih Kemeroghlu  
Ilia Chavchavadze Av. 15, floor 2, Tbilisi,  
Georgia

---

(111) M 2024 37969 R  
(151) 2024 03 04  
(181) 2034 03 04  
(260) AM 2023 121901 A  
(220) 2023 03 06  
(732) LTD "GM Pharmaceuticals"  
Rustavi Highway 52, 0114, Tbilisi, Georgia

---

(111) M 2024 37970 R  
(151) 2024 03 04  
(181) 2034 03 04  
(260) AM 2023 121902 A  
(220) 2023 03 06  
(732) LTD "GM Pharmaceuticals"  
Rustavi Highway 52, 0114, Tbilisi, Georgia

---

(111) M 2024 37971 R  
(151) 2024 03 04  
(181) 2034 03 04  
(260) AM 2023 122008 A  
(220) 2023 03 10  
(732) LTD "Park Gida"  
Vill. Khutsubani, 5th Ubani, St. 46a, 6200,  
Kobuleti, Georgia

---

(111) M 2024 37972 R  
(151) 2024 03 04  
(181) 2034 03 04  
(260) AM 2023 122016 A  
(220) 2023 03 10

(732) LLC "Ranko"  
Tsikhisdziri St. 15, Isani District, Tbilisi,  
Georgia

---

(111) M 2024 37973 R  
(151) 2024 03 04  
(181) 2034 03 04  
(260) AM 2023 122197 A  
(220) 2023 03 24  
(732) LTD "Ad Media"  
Kukuri Gogiashvili st., Lane I, 0131, Tbilisi,  
Georgia

---

(111) M 2024 37974 R  
(151) 2024 03 04  
(181) 2034 03 04  
(260) AM 2023 122205 A  
(220) 2023 03 27  
(732) JSC "Telavi Wine Cellar"  
Village Kurdghelauri, 2200, Telavi Region,  
Georgia

---

(111) M 2024 37975 R  
(151) 2024 03 04  
(181) 2034 03 04  
(260) AM 2023 122212 A  
(220) 2023 03 27  
(732) LTD "Abella"  
Friedrich Graf von der Schulenburg St. 5,  
Tbilisi, Georgia

---

(111) M 2024 37976 R  
(151) 2024 03 04  
(181) 2034 03 04  
(260) AM 2023 122224 A  
(220) 2023 03 30  
(732) LTD "Batono"  
Gotua St. 8, 0160, Tbilisi, Georgia

---

(111) M 2024 37977 R  
(151) 2024 03 04  
(181) 2034 03 04  
(260) AM 2023 122386 A  
(220) 2023 04 07  
(732) JSC "Panex"  
Tbilisi-Red Bridge Highway 17th km., 3700,  
Rustavi, Georgia

---

(111) M 2024 37978 R  
(151) 2024 03 04  
(181) 2034 03 04  
(260) AM 2023 122389 A  
(220) 2023 04 07



---

(732) LLC "Giguashvili Law Office"  
Tskneti Highway 22, floor 1, ap. 37b, 0179,  
Tbilisi, Georgia

---

(111) M 2024 37979 R  
(151) 2024 03 04  
(181) 2034 03 04  
(260) AM 2023 122405 A  
(220) 2023 04 10  
(732) LTD "Stellar Group Georgia"  
Gldani, V m/r, bld. 4, ap. 18, 0107,  
Tbilisi, Gldani District, Georgia

---

(111) M 2024 37980 R  
(151) 2024 03 04  
(181) 2034 03 04  
(260) AM 2023 122423 A  
(220) 2023 04 13  
(732) Guga Petriashvili  
Gldani, bld. 21, ap. 88, Tbilisi, Georgia

---

(111) M 2024 37981 R  
(151) 2024 03 04  
(181) 2034 03 04  
(260) AM 2023 122500 A  
(220) 2023 04 19  
(732) LLC "American University of Athens"  
Vazha-Pshavela Av. 20, ap. 70, 0165,  
Saburtalo District, Tbilisi, Georgia

---

## TRADEMARKS REGISTERED ACCORDING TO THE ACCELERATED PROCEDURE

The decision can be appealed at the Chamber of Appeal of Sakpatenti within 3 months from the publication.

(111) M 2024 37935 R

(151) 2024 02 21

(181) 2034 02 21

(210) AM 126724

(220) 2024 01 29

(732) LTD "One More"

Varketili, IV m/r, II Row, bld. 13, ap. 1,  
Samgori District, Tbilisi, Georgia

(740) Shalva Gvaramadze

(540)



(591) Black-white

(531) 26.03.03; 27.05.01; 27.05.17

(511) 34

(111) M 2024 37936 R

(151) 2024 02 21

(181) 2034 02 21

(210) AM 126827

(220) 2024 02 07

(732) LTD "Blackforth Technologies"

Omar Khizanishvili St. 264 (Tbilisi  
Technology Park Free Industrial Zone),  
Gldani District, Tbilisi, Georgia

(540)

**Blackfort Wallet and Exchange**

(591) Black-white

(511) 35, 42

(111) M 2024 37937 R

(151) 2024 02 21

(181) 2034 02 21

(210) AM 126915

(220) 2024 02 09

(732) LTD "Kvareli Cellar" (GE)

Vill. Chikaani, 4814, Kvareli, Georgia (GE)

(540)

**MILAMURI**  
**მილამური**  
**МИЛАМУРИ**

(591) Black-white

(511) 33

(111) M 2024 37938 R

(151) 2024 02 21

(181) 2034 02 21

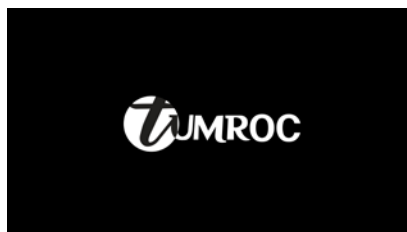
(210) AM 127001

(220) 2024 02 13

(732) Kenan Sofiev

16th Street F7, 1329, Village Karajala,  
Gardabani Region, Georgia

(540)



(591) 020202 black, FFFFFFF white

(531) 26.01.01; 26.01.19; 26.04.10; 26.04.22;  
26.04.24; 27.05.24

(511) 4

(111) M 2024 37939 R

(151) 2024 02 21

(181) 2034 02 21

(210) AM 127002

(220) 2024 02 13

(732) Kenan Sofiev

16th Street F7, 1329, Village Karajala,  
Gardabani Region, Georgia

(540)



(591) CBDB29 yellow, FFFFFFF white,  
000000 black

(531) 26.04.02; 26.04.05; 26.04.22; 26.04.24;  
26.11.12; 27.03.15; 27.05.02; 27.05.11;  
27.05.24; 29.01.13

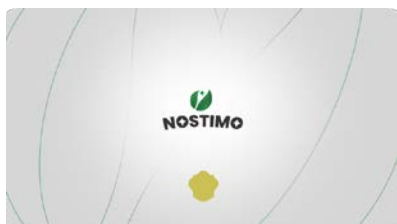
(511) 4

(111) M 2024 37940 R  
 (151) 2024 02 21  
 (181) 2034 02 21  
 (210) AM 126824  
 (220) 2024 02 07  
 (732) MegaDesignGeorgia  
 Sh. Nutsubidze St. 56/17, ap. 31, Vake District,  
 Tbilisi, Georgia  
 (540)



(591) Blue, sky-blue, black, red  
 (531) 27.05.01; 27.05.09; 27.05.10; 27.05.21;  
 29.01.13  
 (511) 1

(111) M 2024 37941 R  
 (151) 2024 02 21  
 (181) 2034 02 21  
 (210) AM 126823  
 (220) 2024 02 07  
 (732) LTD "Ori Nabiji"  
 Navtlughi St. 39-41, 0113, Isani District,  
 Tbilisi, Georgia  
 (540)



(591) Green, golden, black, white  
 (531) 01.01.02; 01.01.08; 01.15.07; 05.03.13;  
 05.03.15; 26.11.12; 26.13.25; 27.01.06;  
 29.01.13  
 (511) 29, 30

(111) M 2024 37942 R  
 (151) 2024 02 21  
 (181) 2034 02 21  
 (210) AM 126914  
 (220) 2024 02 09  
 (732) LTD "Nix Trade"  
 Givi Kartoza St. 2, ap. 61, 0179, Saburtalo  
 District, Tbilisi, Georgia  
 (540)

**NIX BAR**

(591) FFFFFFF white, 000000 black  
 (531) 27.05.01  
 (511) 34

(111) M 2024 37943 R  
 (151) 2024 02 21  
 (181) 2034 02 21  
 (210) AM 126916  
 (220) 2024 02 09  
 (732) JSC "Bank of Georgia"  
 Gagarin St. 29a, Tbilisi, Georgia  
 (740) Giorgi Taktakishvili  
 (540)

**Alion Group**

(591) Black-white  
 (511) 9, 35, 36

(111) M 2024 37944 R  
 (151) 2024 02 21  
 (181) 2034 02 21  
 (210) AM 126917  
 (220) 2024 02 09  
 (732) JSC "Bank of Georgia"  
 Gagarin St. 29a, Tbilisi, Georgia  
 (740) Giorgi Taktakishvili  
 (540)

**Alioni**

(591) Black-white  
 (511) 9, 35, 36

(111) M 2024 37945 R  
 (151) 2024 02 21  
 (181) 2034 02 21  
 (210) AM 126918  
 (220) 2024 02 09  
 (732) JSC "Bank of Georgia"  
 Gagarin St. 29a, Tbilisi, Georgia  
 (740) Giorgi Taktakishvili  
 (540)

**Alion**

(591) Black-white  
 (511) 9, 35, 36

(111) M 2024 37946 R  
 (151) 2024 02 21  
 (181) 2034 02 21  
 (210) AM 126822  
 (220) 2024 02 07  
 (732) LTD "Aviator"  
 Iakob Gogebashvili St. 46b, ap. 7, 0179,  
 Tbilisi, Georgia  
 (540)



(591) White, red  
 (531) 18.05.01; 18.05.03; 29.01.12  
 (511) 41

(111) M 2024 37947 R  
 (151) 2024 02 21  
 (181) 2034 02 21  
 (210) AM 126749  
 (220) 2024 02 01  
 (732) LTD "4 Seasons Travel"  
 Davit Aghmashenebeli Av. 105, Tbilisi,  
 Georgia

(540)



(591) Red, yellow, sky-blue, green, blue, white  
 (531) 01.03.01; 01.03.16; 01.03.17; 01.15.17;  
 05.03.04; 05.03.11; 05.03.13; 05.03.15;  
 18.05.01; 18.05.03; 27.05.01; 27.05.10;  
 29.01.15

(511) 39

(111) M 2024 37949 R  
 (151) 2024 03 01  
 (181) 2034 03 01  
 (210) AM 127009  
 (220) 2024 02 14  
 (732) LLC "Full House"  
 Iliа Chavchavadze Av. 33, Tbilisi, Georgia

(740) Giorgi Taktakishvili

(540)



(591) Golden, sky-blue, green, blue  
 (531) 01.13.01; 01.13.05; 27.05.02; 29.01.14  
 (511) 9, 28, 41

(111) M 2024 37950 R  
 (151) 2024 03 01  
 (181) 2034 03 01  
 (210) AM 127017  
 (220) 2024 02 15

(732) LLC "White Square"  
 Taras Shevchenko St. 1, Entr. 2, floor 3,  
 ap. 41, 0186, Tbilisi, Georgia

(540)



(591) Black, C89A4A golden  
 (531) 03.04.11; 03.04.13; 03.04.24; 26.04.15;  
 26.04.22; 26.04.24; 27.05.24; 29.01.12  
 (511) 36

(111) M 2024 37951 R

(151) 2024 03 01

(181) 2034 03 01

(210) AM 127015

(220) 2024 02 15

(732) LLC "White Square"

Taras Shevchenko St. 1, Entr. 2, floor 3,  
 ap. 41, 0186, Tbilisi, Georgia

(540)



(591) Black, C89A4A golden  
 (531) 03.04.11; 03.04.13; 03.04.24; 26.04.02;  
 26.04.22; 26.04.24; 28.19; 29.01.12  
 (511) 36

(111) M 2024 37952 R

(151) 2024 03 01

(181) 2034 03 01

(210) AM 127010

(220) 2024 02 14

(732) LTD "Ita"

Marshal Gelovani Av. 54, 0159, Tbilisi,  
 Georgia

(540)



(591) White, orange, black  
 (531) 26.03.24; 27.05.02; 27.05.11; 29.01.13  
 (511) 9

(111) M 2024 37953 R  
(151) 2024 03 01  
(181) 2034 03 01  
(210) AM 126924  
(220) 2024 02 12  
(732) LLC "International Trade Corporation"  
Davit Aghmashenebeli Av. 4-6, ap. 12,  
Kutaisi, Georgia  
(540)

**მტკვარი**  
**Mtkvari**  
**Мтквари**

(591) Black-white  
(511) 34

(111) M 2024 37954 R  
(151) 2024 03 01  
(181) 2034 03 01  
(210) AM 126922  
(220) 2024 02 12  
(732) LLC "International Trade Corporation"  
Davit Aghmashenebeli Av. 4-6, ap. 12,  
Kutaisi, Georgia  
(540)

**კოსმოსი**  
**COSMOS**  
**Космос**

(591) Black-white  
(511) 34

(111) M 2024 37955 R  
(151) 2024 03 01  
(181) 2034 03 01  
(210) AM 126919  
(220) 2024 02 12  
(732) LTD "Saltica"  
Melikishvili St. 70, 6000, Batumi, Georgia  
(540)



(591) FFFFFFF white, 000000 black  
(531) 26.04.22; 26.04.24; 27.05.01; 27.05.05;  
27.05.14; 27.05.24  
(511) 34

## INTERNATIONAL TRADEMARKS FOR WHICH A DECISION ON GRANTING PROTECTIONS IS TAKEN

The decision can be appealed at the Chamber of Appeal of Sakpatenti within 3 months from the publication or at the Mtskheta District Court Administrative Cases Board (Address: №17, Samkhedro St., Mtskheta), within 1 month following the publication.

(260) AM 2024 119739 A\*  
 (800) 1688032  
 (151) 2022 08 10  
 (891) 2022 08 10  
 (731) GAC AION NEW ENERGY AUTOMOBILE CO., LTD.  
 No.36, Longying Road, Panyu District,  
 Guangzhou, 511400 Guangdong, China  
 (540)

# AION

(591) Black, white  
 (531) 27.05.01  
 (511)  
 9 – Recorded computer game programs; mobile applications for booking taxis; computer software platforms, recorded or downloadable; facial recognition apparatus; vehicle breakdown warning triangles; navigational apparatus for automobiles; car antennas; navigation apparatus for vehicles [on-board computers]; navigational instruments; vehicle radios; Global Positioning System [GPS] navigation devices; car stereos; dashboard cameras; video recorders for automobiles; speed checking apparatus for vehicles; mileage recorders for vehicles; simulators for the steering and control of vehicles; automatic indicators of low pressure in vehicle tires; materials for electricity mains [wires, cables]; fire extinguishing apparatus for automobiles; charging stations for electric vehicles; batteries, electric, for vehicles; batteries, electric.

37 – Rebuilding machines that have been worn or partially destroyed; maintenance and repair of land vehicles; vehicle washing; vehicle service stations [refuelling and maintenance]; vehicle greasing; vehicle battery charging; motor vehicle maintenance and repair; battery charging services for motor vehicles; airplane maintenance and repair; vehicle breakdown repair services; rustproofing; retreading of tires; repair of rubber tires; vulcanization of tires [repair]; burglar alarm installation and repair.

(260) AM 2024 120890 A  
 (800) 1703000  
 (151) 2022 07 14  
 (891) 2022 07 14  
 (731) Euro Games Technology Ltd.  
 4, "Maritsa" Str., "Vranya-Lozen-Triugulnika",  
 BG-1151 Sofia, Bulgaria

(540)



(591) Red and white  
 (531) 26.01.03; 26.01.12; 26.01.18; 26.11.01;  
 26.11.12; 27.05.17; 27.05.24; 29.01.12

(511)  
 9 – Operating computer software for main frame computers; monitors [computer hardware]; computer hardware; apparatus for recording images; monitors [computer programs]; games software; computer programs for recorded games; apparatus for recording, transmission or reproduction of sound or images; communications servers [computer hardware]; electronic components for gambling machines; computer application software featuring games and gaming; computer software for the administration of on-line games and gaming; computer hardware for games and gaming; hardware and software for gambling, gambling machines, gambling games on the Internet and via telecommunication network; computer operating system software; computer terminals; interactive terminals; multimedia terminals; electronic terminals for generating lottery tickets; interactive touch screen terminals; computer touchscreens; electronic display panels; liquid crystal display screens; digital signage display panels; multimedia software; multimedia apparatus and instruments; interactive multimedia software for playing games; computer screens; LCD large-screen displays; liquid crystal displays [LCDs] for home theatres; media streaming software; computer application software for streaming audio-visual media content via the internet; software; computer gaming software; computer software packages; computer operating system software; computer software, recorded; software drivers; virtual reality software; games software; entertainment software for computer games; computer programs for network management; electronic lottery tickets; computer software platforms; operating systems; interactive computer systems; operating system programs; computer game software for use with on-line interactive games.

28 – Gaming machines for gambling; chips for gambling; mah-jong; arcade games; gambling machines

operating with coins, notes and cards; games; electronic games; parlor games; gaming chips; gaming tables; slot machines [gaming machines]; LCD game machines; slot machines and gaming devices; coin-operated amusement machines; roulette chips; poker chips; chips and dice [gaming equipment]; gaming equipment for casinos; roulette tables; gaming roulette wheels; casino games; automats and gambling machines; coin-operated amusement machines and/or electronic coin-operated amusement machines with or without the possibility of gain; boxes for coin-operated amusement machines, slot machines and gaming machines; electronic or electrotechnical amusement machines and apparatus, gaming machines, coin-operated entertainment machines; housings for coin-operated amusement machines, gaming equipment, gaming machines, machines for gambling; electropneumatic and electrical gambling machines (slot machines); lottery games; electronic targets for games and sports.

37 – Plant construction; machinery installation, maintenance and repair; providing information relating to the installation of machinery; installation of computers; installation of audiovisual equipment; installation of hardware for computer systems; installation of computer hardware; computer hardware (Installation, maintenance and repair of -); consultancy relating to the installation, maintenance and repair of computer hardware; upgrading of computer hardware; repair of game machines and apparatus; installation, maintenance and repair of computer network and information technology equipment.

38 – Telecommunication services; computer communication and Internet access; broadcasting services; automatic transfer of digital data using telecommunications channels; audiovisual communication services; video communication services; video transmission via digital networks; remote transmission of audio signals by means of telecommunications; remote transmission of data by means of telecommunications; delivery of messages by electronic media; electronic communications services; communication services for the electronic transmission of data; electronic transmission and retransmission of sounds, images, documents, messages and data; message sending, receiving and forwarding; interactive communication services; interactive telecommunications services; interactive transmission of video over digital networks; cable transmission of sounds, images, signals and data; communication by electronic means; communications via multinational telecommunication networks; communications services; communications services for the exchange of data in electronic form; communication services provided electronically; advisory services relating to communications equipment; mobile media services in the nature of electronic transmission of entertainment media content; network transmission of sounds, images, signals and data; virtual chatrooms

established via text messaging; providing electronic telecommunication connections; transmission of data, messages and information; transmission of sound and vision via satellite or interactive multimedia networks; computer-aided transmission of sound; transmission of sound via interactive multimedia networks; transmission of sound or visual recordings over networks; transmission of vision via interactive multimedia networks; transmission of information through video communication systems; transmission of information in the audiovisual field; provision of communications facilities for the interchange of digital data; telecommunications services between computer networks; telecommunications services relating to electronic commerce; telecommunication of information (including web pages); electronic transmission of information (Services for the -); secured data, sound and image transmission services; inter-active video text services; video uploading services; photo uploading services; delivery of messages by audiovisual media; telematic data transmission and file transfer; digital transmission services for audio and video data; rental of telecommunication devices and equipment enabling connection to networks; rental of telecommunication equipment; provision of access to content, websites and portals; provision of access to data or documents stored electronically in central files for remote consultation; provision of access to electronic sites; providing access to multimedia content online; providing access to platforms on the Internet; providing access to gambling and gaming websites on the Internet; providing access to websites on the Internet or any other communications network; providing user access to portals on the Internet; providing user access to platforms on the Internet; provision of telecommunication access to video and audio content provided via an on-line video-on-demand service; provision of telecommunication access to video content provided via the Internet; electrical data transmission over a global remote data processing network, including the Internet; video-on-demand transmission services; sending and receiving of electronic messages; message sending via a website; computerised communication services; communications by computer terminals; computer intercommunication; communication by computer; on-line communication services; on-line transmission of electronic publications; transmission and distribution of data or audiovisual images via a global computer network or the Internet; transmission of data, audio, video and multimedia files; transmission of data, audio, video and multimedia files, including downloadable files and files streamed over a global computer network; data transmission and data broadcasting; transmission of data or audio visual images via a global computer network or the Internet; transmission of data and information by computer and electronic communication means; transmission of information on-line; transmission of multimedia content via the Internet; transmission of sound, picture and data signals; com-

puter-aided transmission of messages and images; exchange of messages via computer transmission; distribution of data or audio visual images via a global computer network or the Internet; streaming audio and video material on the Internet; streaming of audio, visual and audiovisual material via a global computer network; streaming of data; Internet based telecommunication services; web conferencing services; video, audio and television streaming services; access to content, websites and portals; online messaging services; broadcasting of audiovisual and multimedia content via the Internet.

41 – Gambling; services related to gambling; gaming services for entertainment purposes; casino, gaming and gambling services; training in the development of software systems; provision of gaming equipment for gambling halls; providing casino equipment [gambling]; gaming machine entertainment services; providing casino facilities [gambling]; providing halls with gaming machines; amusement arcade services; games equipment rental; rental of gaming machines; providing amusement arcade services; rental of gaming machines with images of fruits; editing or recording of sounds and images; sound recording and video entertainment services; hire of sound reproducing apparatus; provision of gaming equipment for casinos; providing of casino facilities; online gambling services; casino, gaming and gambling services; providing amusement arcade services, online casino and betting services provided via websites; lottery services; organization of lotteries; provision of games by means of a computer based system; online interactive entertainment; on-line casino services; online game services through mobile devices; providing online entertainment in the nature of game tournaments; providing on-line information in the field of computer gaming entertainment; sports betting services; online sports betting services.

42 – Computer software technical support services; troubleshooting of computer software problems; provision of technical support in the supervision of computing networks; provision of technical support in the operation of computing networks; technical support services relating to computer software and applications; technical supervision and inspection; monitoring of computer systems by remote access; machine condition monitoring; installation, repair and maintenance of computer software; design, maintenance and updating of computer software; installation, setting up and maintenance of computer software; design, maintenance, development and updating of computer software; installation and customisation of computer applications software; technical consultancy relating to the installation and maintenance of computer software; computer system monitoring services; design of graphic software systems; development of interactive multimedia software; design and development of computer hardware; advice relating to the design of compu-

ter hardware; advisory and information services relating to the design and development of computer hardware; design, development and testing of computer software and hardware, and in particular for gambling, casino games and betting; platform as a service [PaaS]; development of computer platforms; platforms for gaming as software as a service [SaaS]; development of computer systems; computer system design and development.

---

(260) AM 2024 122459 A

(800) 1724363

(151) 2022 12 08

(891) 2022 12 08

(731) Meffert AG Farbwerke

Sandweg 15, 55543 Bad Kreuznach, Germany

(540)

### **tex-color**

(591) Black, white

(511)

1 – Industrial chemicals, in particular chemical preparations for building protection, sealants [chemicals] for the sealing of surfaces; preparations for coating, smoothing and sealing walls, floors, ceilings, balconies and roofs, included in this class; chemical filling materials and fillers; plastics in the form of foams; synthetic resins, unprocessed; unprocessed plastics; soldering (agents for use in -); adhesives for paperhanging; adhesives for use in industry, in particular building adhesives.

2 – Colorants, other than fabric paints, varnishes; wood preservatives; anti-rust preparations; colorants, other than for textiles; mordants; raw natural resins; metals in powder form for painters, decorators, printers and artists; metals in powder form for painters, decorators, printers and artists; coloured metallic powders; paints for mineral sub-bases; ground coatings [paints and oil]; coatings for use as primers; primer fillers in the nature of paint; wood mordants; thinners for paints; thinners for lacquers; paints for protection against algae, mildew and fungus; thinners for paints; plastic lacquer with a base of acrylics; epoxy resins for use in covering floors [coatings]; coatings, namely, epoxy resin coatings; acrylic floor coverings (liquid plastic).

17 – Fleeces of crude fibres of glass [insulation]; fleeces of crude fibres of carbon [insulation]; fleeces of crude fibres of rock [insulation]; decorative glass fabrics; insulating materials produced from plastics; insulation sheets; insulating matting; fire resistant insulated panels; under flooring sheets of rubber; barriers for protection against sound; polymeric porous membranes in hollow fibre form; polymeric porous membranes in sheet form; cross-linked polymeric membranes in sheet form; insulation and barrier articles and materials; fillers for joint packing; gaskets; insulating materials for insulation against heat; sealants



for joints for building purposes; sealant compounds for joints; adhesive tapes, strips, bands and films; gap filling tapes.

19 – Building materials, not of metal, especially facade coating preparations, namely pargets, spackling compound, mortar, fabric for crack reinforcement, fibreglass fabrics, construction insulation sheets, asbestos cement boards, plastic foam boards, mineral fibre mats and sheets, cover bands, coatings [building materials]; plaster for repairing cracks in plaster; epoxy grout; rigid pipes, not of metal, for building; pitch, tar, bitumen and asphalt; buildings, transportable, not of metal; non-woven fabrics for soil protection (geotextiles); non-woven fabrics for soil stabilization (geotextiles); mouldings, not of metal, for building; reinforcing materials, not of metal, for building; concrete, bath bricks, sandstone and cement.

(260) AM 2024 122534 A

(800) 1725662

(151) 2023 03 08

(891) 2023 03 08

(731) Bayer Aktiengesellschaft  
Kaiser-Wilhelm-Allee, 51373 Leverkusen,  
Germany

(540)

**ВИМДЖИ**

(591) Black, white

(531) 28.05

(511)

5 – Pharmaceutical preparations for humans including treatment of gynecological related diseases, disorders and deficiencies; pharmaceutical preparations for humans including treatment of hormone related diseases, disorders and deficiencies; pharmaceutical preparations for humans including treatment of cardiological related diseases, disorders and deficiencies; pharmaceutical preparations for humans including treatment of oncological related diseases, disorders and deficiencies; pharmaceutical preparations for humans including treatment of genetic related diseases, disorders and deficiencies.

(260) AM 2024 122549 A

(800) 1139406

(151) 2012 02 03

(891) 2023 03 24

(731) WORLD MEDICINE İLAÇ SANAYİ VE  
TİCARET ANONİM ŞİRKETİ  
15 TEMMUZ MAH. CAMİ YOLU CAD.  
NO:50, Bağcılar, İstanbul, Türkiye

(540)

**MEDOTILIN**

(591) Black, white

(531) 27.05.01

(511)

5 – Medicines for human purposes, medicines for veterinary purposes, chemical preparations for medical purposes, dietetic substances adapted for medical use; dietetic foods adapted for medical purposes; baby foods, medicinal herbs, herbal beverages adapted for medical purposes; medicines for dental purposes, hygienic products for medical purposes including pads, waddings for medical purposes, plasters for medical purposes, dressings for medical purposes, preparations for destroying noxious plants, preparations for destroying noxious animals, fungicides, deodorants other than for personal use, disinfectants for hygiene purposes, antiseptics, detergents for medical purposes; dietary supplements and food supplements, not for medical use, not included in other classes.

(260) AM 2024 122552 A

(800) 1333944

(151) 2016 10 19

(891) 2023 03 16

(731) FA Trademarks Zarebska Spółka Jawna  
ul. Konna 40, PL-80-174 Opatów, Poland

(540)



(591) Black

(531) 25.07.21; 26.11.08; 27.05.10

(511)

5 – Nutritional supplements for athletes; vitamin substances and preparations; mineral food supplements; diet supplements; mineral waters for medicinal purposes; dietetic foods adapted for medical purposes.

(260) AM 2024 122553 A

(800) 1375506

(151) 2017 06 19

(891) 2023 03 24

(731) Novotech (Australia) Pty Ltd  
L3, 235 Pyrmont St, PYRMONT NSW 2009,  
Australia

(540)

**NOVOTECH**

(591) Black, white

(511)

42 – Clinical trials; conducting and managing clinical trials, including clinical trials for pharmaceuticals, biotechnology and other related industries; conducting clinical trials for others (scientific research); providing information about the results of clinical trials, including clinical trials for pharmaceuticals and bio-

technology; scientific research; medical research (scientific research for medical purposes); preparation of statistics for scientific research; preparation of biostatistics for scientific research in the fields of pharmaceuticals, biotechnology and other related industries; provision of information and data relating to medical and scientific research for pharmaceuticals, biotechnology and other related industries; database design and development services to process data collected from clinical trials; medical research services, namely medical monitoring services for research in the fields of pharmaceuticals, biotechnology and other related industries; quality audits; preparation of reports and applications to regulators relating to aspects of clinical trials; provision and exchange of information and data exchange between scientists, manufacturers and health authorities relating to pharmaceutical and biotechnology quality standards; technical writing of clinical report forms which are required by clinical trial drug protocols.

(260) AM 2024 122632 A

(800) 1726829

(151) 2023 03 24

(891) 2023 03 24

(731) ADRIATICA S.p.A.

Strada Dogado n. 300/19-21, I-45017 Loreo (RO), Italy

(540)

**DRY-K 30**

(591) Black, white

(511)

1 – Fertilising preparations; fertilizer compositions; granular fertilisers; water-soluble fertilisers; foliar feeds; leaf fertilisers which promote the growth of dry matter of fruits improving the durability thereof during harvest; compost and compost supplements; plant growth regulating preparations; biostimulants for controlling the pathophysiology of plants; nutrients for plants; plant growth supplements; manures for the soil; plant fertilizers.

(260) AM 2024 122635 A

(800) 1726968

(151) 2023 03 01

(891) 2023 03 01

(731) Chery Automobile Co., Ltd.

8 Changchun Road, Economy & Technology Development Zone, Wuhu City, 241009 Anhui Province, China

(540)

**JAECOO**

(591) Black, white

(531) 27.05.01

(511)

12 – Electric cars; electric vehicles; automobiles.

(260) AM 2024 122686 A

(800) 1727261

(151) 2022 12 23

(891) 2022 12 23

(731) Gazer Limited

17 Hanover Square, London W1S 1BN, United Kingdom

(540)

**GAZER**

(591) Black, white

(531) 27.05.01

(511)

9 – Application software for smart TV; artificial intelligence software for vehicles; audio- and video-receivers for vehicles; cameras only for vehicles use, specifically dash cameras and backup cameras; chargers for electric accumulators; computer software applications, downloadable for vehicles; computer software, recorded for vehicles; control panels [electricity] for vehicle; displays for vehicles; interactive touch screen terminals for vehicles; intercommunication apparatus for vehicle; interfaces for computers for vehicles; mobile applications for vehicles; mileage recorders for vehicles; navigation apparatus for vehicles [on-board computers]; parking sensors for vehicles; satellite navigational apparatus; simulators for the steering and control of vehicles; speed checking apparatus for vehicles; television apparatus; vehicle radios; vehicle breakdown warning lamps, other than parts of vehicles; electric batteries for vehicles; vehicle stereos; automatic indicators of low pressure in vehicle tires; fuel level indicators for vehicles; oil level indicators for vehicles; water level indicators for vehicles; blind spot cameras for vehicles; rearview cameras for vehicles; security systems for vehicles being video surveillance cameras; electronic data recorders for vehicles; security systems for vehicles being electronic locks; electronic pilot apparatus for the remote control of vehicles; global positioning system [GPS] apparatus; vehicle locating apparatus; head-up display apparatus for vehicles; electronic control apparatus for vehicle engines; apparatus and instruments for controlling and monitoring unmanned vehicles; navigation apparatus for vehicles in the nature of on-board computers; remote control apparatus for the opening and closing of vehicle doors; televisions; stereo apparatus; remote controls; remote controls for televisions; multimedia software for vehicles; software for smart TV [application]; multimedia apparatus and instruments for vehicles; vehicle driving simulators for training purposes.

12 – Anti-theft alarms for vehicles; anti-glare devices for vehicles; anti-dazzle devices for vehicles; airbags for vehicles; back-up warning alarms for vehicles; stability control systems for vehicles; booster seats for use in vehicles; children's seats for use in vehicles; drink holders for use in vehicles; electrical anti-theft installations for vehicles; vehicle safety apparatus for

children; rearview mirrors for vehicles; remotely controlled land vehicles for transport; safety seats for use in vehicles; side view mirrors for vehicles; mirrors for use on vehicles; power tailgates [parts of land vehicles].

(260) AM 2024 122689 A

(800) 1727292

(151) 2023 03 30

(891) 2023 03 30

(731) Carbon Medical Technologies, Inc.

1290 Hammond Road, St. Paul MN 55110,

USA

(540)

## BIOMARC

(591) Black, white

(511)

10 – Medical and surgical apparatus, namely implantable carbon-coated particles to radiographically mark soft human tissue.

(260) AM 2024 122701 A

(800) 1727766

(151) 2023 03 20

(891) 2023 03 20

(731) Robert Bosch GmbH

Robert-Bosch-Platz 1, 70839 Gerlingen,

Germany

(540)

## BGUSS

(591) Black, white

(511)

12 – Brake discs for vehicles.

(260) AM 2024 122712 A

(800) 1728100

(151) 2023 03 16

(891) 2023 03 16

(731) VIEŠOJI ĮSTAIGA "HUMANA PEOPLE TO PEOPLE BALTIC"

Kibirkšties g. 6, Vilnius, Lithuania

(540)



(591) Green, light blue, yellow and black

(531) 01.05.01; 01.05.02; 01.05.06; 27.01.12;

27.05.01; 27.05.17; 29.01.14

(511)

35 – Advertising; business management; business administration; office functions; the bringing together, for the benefit of others of clothing, headgear, footwe-

ar, textiles, leather and leather substitutes, luggage, handbags, travel bags, umbrellas, household or kitchenware, tableware, brushes, textile yarn and thread, fabrics, curtains, household linen, carpets, blankets, bed linen, table linen, bed linen, games and toys, gymnastics and sports goods, rucksacks, paper and cardboard products, printed matter, packing bags, photographs, books, school stationery, jewelry, watches, cosmetics, perfumery, toiletries, hair care products, dyes, porcelain, ceramics, clay, terracotta or glass works of art, candles, stationery, hand tools, lighting equipment, audio, video or data recording, transmission, reproduction or processing apparatus and instruments, musical instruments, hair dryers, manicure tools, massaging machines, tents, mirrors, excluding the transport thereof, enabling customers to conveniently view and purchase those goods.

(260) AM 2024 122713 A

(800) 1728116

(151) 2023 03 31

(891) 2023 03 31

(731) Incyte Holdings Corporation

1801 Augustine Cut-Off, Wilmington

DE 19803, USA

(540)

## OFEZUMIR

(591) Black, white

(511)

5 – Pharmaceutical preparations for the treatment of cancer; pharmaceutical preparations for the treatment of immunological disorders; pharmaceutical preparations for the treatment of graft versus host disorder (GVHD); pharmaceutical preparations for the treatment of hematological disorders; pharmaceutical preparations for the treatment of hypophosphatemia disorders; pharmaceutical preparations for the treatment of myeloproliferative disorders; pharmaceutical preparations for the treatment of skeletal or chondrocyte disorders; pharmaceutical preparations for the treatment of dermatological disorders.

16 – Printed brochures, newsletters, and pamphlets in the fields of medical issues, procedures, disease symptoms, patient support and community building.

44 – Providing a medical information to healthcare providers and patients relating to viral, hematological, auto-immune, graft versus host, inflammatory, metabolic and dermatological disorders.

(260) AM 2024 122715 A

(800) 895284

(151) 2006 08 09

(891) 2023 04 06

(731) Venson Amsterdam B.V.

Klaprozenweg 75 E, NL-1033 NN Amsterdam,

Netherlands

(540)

**BLUSH**

(591) Black, white

(511)

14 – Precious metals and their alloys and goods in precious metals or coated therewith, not included in other classes; jewellery, precious stones; horological and chronometric instruments.

(260) AM 2024 122777 A

(800) 1728459

(151) 2023 04 10

(891) 2023 04 10

(731) Shanghai Midu Information Technology CO., Ltd  
Room 301AB, No. 10, Lane 198, Zhangheng Road, (Shanghai) Pilot Free Trade Zone, China

(540)

**midu**

(591) Black, white

(531) 27.05.01; 27.05.17

(511)

41 – Educational services; arranging and conducting of colloquiums; instruction services; training courses arranged in educational institutions; providing online games on the computer network; training services provided via simulators; arranging and conducting of workshops [training]; online publication of electronic books and journals; game services provided online from a computer network; providing online electronic publications, not downloadable.

(260) AM 2024 122778 A

(800) 1728469

(151) 2023 04 11

(891) 2023 04 11

(731) Aimbridge Parent, Inc.  
5301 Headquarters Drive, Plano TX 75024, USA

(540)

**Aimbridge**

(591) Black, white

(531) 27.03.01; 27.05.19

(511)

43 – Hotel accommodation services.

(260) AM 2024 122798 A

(800) 1728829

(151) 2022 09 21

(891) 2022 09 21

(731) Pacific Pharmaceuticals Pte Ltd.  
101 CECIL STREET, #17-07 TONG ENG BUILDING, SINGAPORE 069533, Singapore

(540)

**FAVIPAC**

(591) Black, white

(531) 27.05.01

(511)

5 – Mineral dietary supplements for humans; pharmaceutical drugs.

(260) AM 2024 122799 A

(800) 1728833

(151) 2023 01 09

(891) 2023 01 09

(731) Sole proprietor Romashko Ilya Gennadievich  
Oleko Dundicha str., 5, sq. 96, RU-121096  
Moscow, Russian Federation

(540)



(591) Red and white

(531) 24.17.25; 26.02.07; 26.03.23; 26.03.23;  
26.11.02; 26.11.06; 26.11.12; 27.05.01;  
29.01.12

(511)

41 – Providing information in the field of entertainment; movie studio services; club education services; club entertainment services; providing recreation facilities; arranging and conducting of workshops [training]; organization of competitions [education or entertainment]; organization of shows [impresario services]; theatrical performances; rental of stage scenery; entertainment services; party planning [entertainment]; scriptwriting, other than for advertising purposes; production of shows.

(260) AM 2024 122802 A

(800) 1728989

(151) 2022 09 21

(891) 2022 09 21

(731) PACIFIC PHARMACEUTICALS PTE LTD  
101 CECIL STREET, #17-07 TONG ENG  
BUILDING, SINGAPORE 069533, Singapore

(540)



(591) Red and Black

(531) 20.05.07; 26.11.22; 27.03.15; 27.05.01;  
27.05.09; 29.01.12

(511)

3 – Cosmetics; non-medicated preparations for oral hygiene purposes; perfumery; fragrance preparations;

cleaning preparations for use on the body; beauty care preparations; make-up; soaps; non-medicated bath preparations; skin care preparations; hair preparations; shaving preparations; essential oils; cleaning preparations; laundry preparations; hair treatment preparations.

(260) AM 2024 122811 A

(800) 1729354

(151) 2022 11 23

(891) 2022 11 23

(731) ANNEX INTERNATIONAL GMBH

Britanniahütte 10, 51469 Bergisch Gladbach,  
Germany

(540)

## AVITSO

(591) Black, white

(511)

29 – Meat; frozen appetizers consisting primarily of chicken, shellfish; mussels (not live); fish; seafood, not live; poultry; cassoulet; game; turkey; meat extracts; edible frogs, not live; foie gras; offal; seitan [meat substitutes]; prepared meals based on meat, chicken, fish, vegetables; crystallized fruits; preserved fruit; frozen fruits; dry fruits; cooked fruits; nuts; preserved vegetables; spreads of fruit, vegetables, pulses; pulses; preserved mushrooms; chips; deep-frozen vegetables; dried vegetables; cooked vegetables; jellies; jams; compotes; eggs; egg substitutes; milk; dairy products; edible oils and fats; fats for food; edible seeds; butter; cream (dairy product); charcuterie; vegetable juices for cooking; dairy substitutes; yogurt; salted meats; crustaceans (not live); canned meat; meat substitutes; canned poultry; canned fish; cheeses; milk beverages with milk predominating; broths; potages; milkshakes; fried platano; cheese sticks; oat-based beverages [milk substitutes]; coconut-milk-based beverages; almond-milk-based beverages; peanuts; vegetable chips; fruit chips; tomato paste; fruit compotes; gherkins; dates; snacks based on cheese, fruit, milk, vegetables, meat, fish, soy, tofu; french fries; guacamole; canned tuna; tofu; vegetable terrines; tapenades; canned tomatoes; canned soups; ratatouille; mashed vegetables; processed pine nuts; vegetable pastes; hazelnut-based spreads; canned olives.

30 – Coffee; tea; cocoa; chocolate; beverages based on cocoa, chocolate, tea, coffee; sugar; natural sweeteners; bee products; rice; puffed rice; tapioca; cereal preparations; artificial coffee, tea, cocoa; cereals; yeast and baking agents; bread; bagels; rusks; biscuits (sweet or savory); biscuit snacks for aperitifs; wafers; waffles; cakes; pastries; confectionery products; candy, confectionery and chewing gum; brioches (pastries); stuffed brioches; fresh and dried pasta; noodles and ravioli; pasta preserves; bakery products; pastry products; candy or spiced biscuits; cereal bars and energy bars; snacks containing chocolate; breadcrumbs;

biscuit dough or pastry dough; edible ices; ice cream, frozen yogurt and sorbet; prepared desserts (confectionery); deep-frozen pastries and desserts; chilled pastries and desserts; crackers; tarts; tartlets (sweet or savory); condiments; sauces (condiments); salted chutneys and purees; seasonings; sandwiches; wrap (rolled sandwich); burgers (sandwiches) based on meat, cheese, vegetables and fish combined with bakery products; pizzas; pancakes; savory pancakes; quiches; sweet or savory pies; hot dogs; pasta dishes; sweet coatings, glazes and fillings; syrups and molasses; food seasonings; pretzels; bulgur; fruit cakes; caramels; cereals for human consumption; bubble gum; cereal-based chips; spices; flour; processed grains; breadsticks; cooking herbs; harissa [condiment]; honey; muesli; mustard; tomato ketchup; mayonnaise; baking dough; pasta.

32 – Beer and brewing products; non-alcoholic beer; imitation beer; waters; carbonated waters; juices; fruit juices; flavored carbonated beverages; energy drinks; non-alcoholic beverages; fruit-based, vegetable-based beverages; beverages made with nuts and soy; syrups (beverages); preparations for making beverages; lemonades; fruit nectars; soda water; non-alcoholic aperitifs; dilutable preparation for preparing beverages; smoothies (mixed fruit or vegetable beverages); sherbets (beverages).

(260) AM 2024 122814 A

(800) 1012191

(151) 2009 07 24

(891) 2023 04 04

(731) "Office-impex" Limited liability company

ul.45-oi Strelkovoy Divizii, 261a, RU-394026  
Voronezh, Russian Federation

(540)

## STAFF

(591) Black, white

(531) 27.05.19

(511)

16 – Paper, cardboard and goods made from these materials, not included in other classes; printed matter; bookbinding material; photographs; stationery; adhesives for stationery or household purposes; artists' materials; paint brushes; typewriters and office requisites (except furniture); instructional and teaching material (except apparatus); plastic materials for packaging (not included in other classes); printers' type; printing blocks.

35 – Sales promotion of goods included in class 16.

(260) AM 2024 122864 A  
 (800) 1729580  
 (151) 2023 01 04  
 (891) 2023 01 04  
 (731) EXMO EXCHANGE LTD.  
 2 Kingdom Street; London W2 6JP,  
 United Kingdom

(540)

**exmo**

(591) Black, white  
 (531) 27.05.01; 27.05.17  
 (511)

36 – Financial analysis; stock brokerage services; stocks and bonds brokerage; insurance brokerage; securities brokerage; brokerage; issuance of credit cards; issuance of gift certificates; issuance of tokens of value; investment of funds; trusteeship; electronic funds transfer; providing financial information; providing financial information via a website; charitable fund raising; capital investment; crowdfunding; pawn-brokerage; loans (financing); instalment loans; exchanging money; processing of debit card payments; processing of credit card payments; organization of monetary collections; electronic funds transfer provided via blockchain technology; electronic transfer of crypto assets; lending against security; mobile banking services; surety services; financing services; e-wallet payment services; insurance underwriting; financial management; financial management of reimbursement payments for others; financial consultancy; financial research; financial exchange of crypto assets.

(260) AM 2024 122865 A  
 (800) 1729613  
 (151) 2022 12 05  
 (891) 2022 12 05  
 (731) Obshchestvo s ogranichennoy otvetstvennostyu "AGROBAR PRO"  
 Otkrytoye shosse, 13, str. 4, pomesh. VI, kom. 1, vn. ter. g. Munitsypal'niy, okrug Metrogorodok, RU-107143 gorod Moskva, Russian Federation

(540)

  
**AGROBAR**

(591) Black, white  
 (531) 26.13.25; 27.05.01  
 (511)

29 – Jams; apple purée; cranberry compote; arrangements of processed fruit; berries, preserved; vegetable mousses; fruit pulp; pressed fruit paste; vegetables, tinned; fruits, tinned; fruit peel; compotes; marmalade; lemon juice for culinary purposes; vegetable juices for cooking; fruit, preserved; fruit, stewed.

(260) AM 2024 122866 A  
 (800) 1729628  
 (151) 2022 11 24  
 (891) 2022 11 24  
 (731) JETHARAM NEMARAM GEHLOT  
 101, Shree White Heights Apartment,  
 Saraswati Nagar, Hirawadi Road, Panchavati,  
 Nashik, Maharashtra 422003, India

(540)

**YSWARA**

(591) Black, white  
 (531) 27.05.01  
 (511)

3 – Henna, henna based cosmetic products, hair color, hair oils, hair dye, soaps including skin and body soaps; shampoo; shampoo based hair color, hair lotions, body wash; liquid soaps; soaps face wash; bath and shower preparations; hair color, crème hair color, hair dye, hair care preparations, skin care preparations, crème, lotion, hand washes; body scrubs; all purpose household cleaning preparations; non-medicated cosmetics and toiletry preparations; non-medicated dentifrices; perfumery, essential oils; depilatory preparations; hair removing cream; bleaching preparations and other substances for laundry use; cleaning, polishing, scouring and abrasive preparations.

(260) AM 2024 122867 A  
 (800) 1729635  
 (151) 2023 02 16  
 (891) 2023 02 16  
 (731) YES BIŻUTERIA SPÓŁKA AKCYJNA  
 Świerzawska 1, PL-60-321 Poznań, Poland

(540)

**YES**

(591) Black, white  
 (531) 27.05.01; 27.05.23  
 (511)

14 – Articles of jewellery; precious metals and their alloys; jewellery; semi-precious and precious stones; clocks, watches; horological and chronometric instruments.

40 – Jewellery material treatment services, namely grinding, treatment of precious metals, gold-plating, silver-plating, metal plating, custom manufacturing of jewellery.

(260) AM 2024 122868 A  
 (800) 1729649  
 (151) 2023 03 30  
 (891) 2023 03 30  
 (731) DSS Lab Limited Liability Company  
 ul. Kol'skaya d. 2, korp. 6, et. 14, pom. XVIII,  
 kom. 10, RU-129329 Moskva, Russian  
 Federation  
 (540)



(591) White, black and blue  
 (531) 26.04.04; 26.04.16; 26.04.17; 26.04.18;  
 29.01.13  
 (511)  
 38 – Providing access to databases; video-on-demand  
 transmission; message sending; computer aided trans-  
 mission of messages and images; transmission of digi-  
 tal files; providing information in the field of teleco-  
 munications; videoconferencing services; rental of  
 message sending apparatus; rental of modems; rental  
 of telecommunication equipment; radio communicati-  
 ons; transmission of electronic mail; telecommunicati-  
 ons routing and junction services; streaming of data.

(260) AM 2024 122869 A  
 (800) 1729687  
 (151) 2023 04 05  
 (891) 2023 04 05  
 (731) Stiftung Ethereum (Foundation Ethereum)  
 Zeughausgasse 7a, CH-6300 Zug, Switzerland  
 (540)

## DEVCONNECT

(591) Black, white  
 (511)  
 41 – Educational services, namely, organization and  
 conducting of business conferences in the field of  
 cryptocurrency and distribution of educational mate-  
 rial in connection therewith; all the aforesaid services  
 excluding services in the field of computer security,  
 network security and Internet security.

(260) AM 2024 122870 A  
 (800) 1729702  
 (151) 2022 12 21  
 (891) 2022 12 21  
 (731) Euro Games Technology Ltd.  
 4, "Maritsa" Str., "Vranya-Lozen-Triugulnika",  
 BG-1151 Sofia, Bulgaria  
 (540)

## Emperor's Power

(591) Black, white  
 (511)  
 9 – Operating computer software for main frame com-  
 puters; monitors (computer hardware); computer har-  
 dware; apparatus for recording images; monitors  
 (computer programs); computer game programs; com-  
 puter programs for recorded games; apparatus for re-  
 cording, transmission or reproduction of sound or  
 images; communications servers [computer hardwa-  
 re]; electronic components for gambling machines;  
 computer application software featuring games and  
 gaming; computer software for the administration of  
 on-line games and gaming; computer hardware for  
 games and gaming; computer hardware and software  
 for gambling, gambling machines, gambling games on  
 the Internet and via telecommunication network; com-  
 puter systems; computer operating system software;  
 computer terminals; interactive terminals; multimedia  
 terminals; electronic terminals for generating lottery  
 tickets; interactive touch screen terminals; computer  
 touchscreens; electronic display panels; liquid crystal  
 display screens; digital signage display panels; multi-  
 media software; multimedia apparatus and instru-  
 ments; interactive multimedia software for playing  
 games; computer screens; LCD large-screen displays;  
 liquid crystal displays [LCDs] for home theatres; me-  
 dia streaming software; computer application software  
 for streaming audio-visual media content via the in-  
 ternet; software; computer gaming software; computer  
 software packages; computer operating system soft-  
 ware; computer software, recorded; software drivers;  
 virtual reality software; games software; entertain-  
 ment software for computer games; computer pro-  
 grams for network management; electronic lottery tic-  
 kets; computer software platforms; operating systems;  
 interactive computer systems; operating system pro-  
 grams; computer game software for use with on-line  
 interactive games; games software for use with video  
 game consoles; electronic game software provided via  
 a global computer network or delivered via electronic  
 multimedia broadcasting or by telecommunications or  
 electronic transmission or via the Internet; computer  
 games provided through a global computer network or  
 supplied by means of multi-media electronic broad-  
 cast or through telecommunications or electronic  
 transmission or via the internet.

28 – Gaming machines for gambling; chips for gam-  
 bling; mah-jong; arcade games; gambling machines  
 operating with coins, notes and cards; games; electro-  
 nic games; parlor games; gaming chips; gaming table-  
 s; slot machines [gaming machines]; LCD game ma-  
 chines; slot machines and gaming devices; coin-oper-  
 ated amusement machines; roulette chips; poker  
 chips; chips and dice [gaming equipment]; gaming  
 equipment for casinos; roulette tables; gaming roulette  
 wheels; casino games; gambling machines and amuse-  
 ment machines, automatic and coin-operated; coin-  
 operated amusement machines and/or electronic coin-  
 operated amusement machines with or without the po-

ssibility of gain; boxes for coin-operated amusement machines, slot machines and gaming machines; electronic or electrotechnical amusement machines and apparatus, gaming machines, coin-operated entertainment machines; housings for coin-operated amusement machines, gaming equipment, gaming machines, machines for gambling; electropneumatic and electrical gambling machines (slot machines); lottery games; electronic targets for games and sports; video game consoles.

41 – Gambling; entertainment services related to gambling; gaming services for entertainment purposes; casino, gaming and gambling services; training in the development of software systems; provision of gaming equipment for gambling halls; providing casino equipment [gambling]; gaming machine entertainment services; providing casino facilities [gambling]; amusement arcade services; amusement arcades; games equipment rental; rental of gaming machines; providing amusement arcade services; rental of gaming machines with images of fruits; editing or recording of sounds and images; sound recording and video entertainment services; hire of sound reproducing apparatus; provision of gaming equipment for casinos; providing of casino facilities; online gambling services; casino management services; provision of gaming facilities, gaming hall facilities, internet casinos and online gambling services; lottery services; organization of lotteries; provision of games by means of a computer based system; online interactive entertainment; on-line casino services; online game services through mobile devices; providing online entertainment in the nature of game tournaments; providing on-line information in the field of computer gaming entertainment; sports betting services; online sports betting services; providing on-line computer games and games of chance, in particular use of non-downloadable games; rental of video game consoles; electronic game services provided via a global computer network or delivered via electronic multimedia broadcasting or via telecommunications or electronic transmission or via the Internet.

(260) AM 2024 122883 A  
(800) 1730024  
(151) 2022 09 29  
(891) 2022 09 29  
(731) Shoaib Abedi

Level 17, Dashwood House, 69 Old Broad  
Street, London EC2M 1QS, United Kingdom

(540)

**ICM.com**

(591) Black, white  
(511)

36 – Financial, monetary and banking services; financial transaction and payment services; financial exchange services; foreign exchange services; financial

services relating to foreign exchange market; financial brokerage services; financial investigation services; financial affairs; financial management; financial research; financial analysis; financial advice; tax advice; money lending services; money exchange services; money brokerage; monetary transactions; monetary exchange; monetary affairs; monetary transfer services; capital investment; investment of funds; investment banking; international banking; mortgage banking; financial banking; private banking; electronic banking; online banking services; internet banking services; ATM banking services; financial services relating to cash cfd's [contract for difference]; trading of stocks; trading in currencies; trading in securities; insurance services; insurance brokerage services; real estate affairs; real estate financing; real estate investment; real estate brokerage.

(260) AM 2024 122884 A  
(800) 1730029  
(151) 2023 04 11  
(891) 2023 04 11  
(731) Rawrr Inc.  
16839 Gale Ave #101, City of Industry  
CA 91745, USA

(540)

**RAWRR**

(591) Black, white  
(531) 27.05.01; 27.05.17  
(511)

12 – ATVs (all terrain vehicles); electric bicycles; electrically-powered motor scooters; self-balancing scooters; self-balancing one-wheeled electric scooters; self-balancing two-wheeled electric scooters; self balancing electric scooters; all terrain vehicles (ATVs).

(260) AM 2024 122885 A  
(800) 1730095  
(151) 2023 01 17  
(891) 2023 01 17  
(731) Cüneyt Irener  
Mettinger Str. 25, 73728 Esslingen am Neckar,  
Germany  
(540)

**KNECHT**

(591) Black, white  
(511)

1 – Industrial chemicals; chemicals used in industry, e.g. chemically and physically active additives for lubricants, cleaning additives for lubricants [oil cleaning agents]; chemicals additives for enhancing the performance of lubricants oils and lubricating greases; chemical substances as additives for technical lubricating greases; chemical additives for technical oils, for



example for motor, gear, compressor and hydraulic oils as well as chemical additives for fuels, for example petrol and diesel fuels; chemical additives for radiator fluids; antifreeze for radiator fluids; antifreeze for windscreen washer systems; chemical impregnating preparations for convertible tops for motor vehicles; hydraulic oils for brake circuits; liquid coatings [chemicals].

2 – Anticorrosive paints; anti-rust preparations; anticorrosive preparations.

4 – Lubricants and industrial greases, waxes and fluids; non-chemical additives for lubricants; non-chemical additives for coolants, machine oils, engine oils, technical greases, gear oils and lubricating oils; industrial oils and fats, including oils for compressors [except edible oils and fats and essential oils]; oils and greases for technical purposes, including motor oils, gear oils, compressor oils; contact oils; non-chemical additives for lubricants; non-chemical oil additives and fuel additives, for example for petrol and diesel fuel; dust absorbing compositions; dust wetting compositions; dust laying compositions; fuels [including motor fuels] and illuminants; candles and wicks for lighting purposes.

(260) AM 2024 122905 A  
(800) 1730419  
(151) 2023 03 27  
(891) 2023 03 27  
(731) Macdonald & Muir Limited  
The Cube, 45 Leith Street; Edinburgh  
EH1 3AT, United Kingdom  
(540)

## SIGNET RESERVE

(591) Black, white  
(511)  
33 – Alcoholic beverages (except beer); but not including gin or gin-based products and in so far as whisky and whisky-based drinks are concerned, only Scotch whisky and Scotch whisky based drinks produced in Scotland.

(260) AM 2024 122906 A  
(800) 1730463  
(151) 2023 04 20  
(891) 2023 04 20  
(731) Brouwerij De Molen B.V.  
Doortocht 4, NL-2411 DS Bodegraven,  
Netherlands  
(540)



(591) Black, white  
(531) 24.17.01; 24.17.25; 26.01.03; 26.01.18;  
26.01.24; 27.01.08; 27.01.09; 27.01.10;  
27.05.09; 27.05.10; 27.05.23

(511)  
32 – Craft beers; beer and brewery products; fruit juice beverages; non-alcoholic beverages; syrups for beverages; beer; non-alcoholic preparations for making beverages; carbonated mineral water; flavored beers.

(260) AM 2024 122911 A  
(800) 1730579  
(151) 2022 11 29  
(891) 2022 11 29  
(731) Egis Gyógyszergyár Zrt.  
Keresztúri út 30-38; H-1106 Budapest, Hungary  
(540)

## PIXIBA

(591) Black, white  
(511)  
5 – Pharmaceutical preparations for human use; dietetic substances adapted for medical use; dietary supplements.

(260) AM 2024 122914 A  
(800) 1730588  
(151) 2023 04 03  
(891) 2023 04 03  
(731) LIMITED LIABILITY COMPANY,  
"MEDICAL CENTER "M.T.K."  
10, M. Amosov str.; Kyiv 03038, Ukraine  
(540)

## Левайб

(591) Black, white  
(531) 28.05  
(511)  
5 – Adjuvants for medical purposes; cooling sprays for medical purposes; acaricides; aconitine; alkaloids for medical purposes; albumin dietary supplements; alginates for pharmaceutical purposes; alginate dietary supplements; algicides; aldehydes for pharmaceutical purposes; amino acids for veterinary purposes; amino acids for medical purposes; analgesics; anaesthetics; antibiotics; vermifuges; anti-uric preparations; antiseptics; first-aid boxes, filled; aluminium acetate for pharmaceutical purposes; acetates for pharmaceutical purposes; germicides; bacterial preparations for medical and veterinary use; bacteriological preparations for medical and veterinary use; oxygen cylinders, filled, for medical purposes; balms for medical purposes; balsamic preparations for medical purposes; royal jelly for pharmaceutical purposes; tobacco-free cigarettes for medical purposes; bandages for dressings; bicarbonate of soda for pharmaceutical purposes; albuminous preparations for medical purposes; albuminous foodstuffs for medical purposes; biological pre-

parations for veterinary purposes; biological preparations for medical purposes; biocides; bismuth subnitrate for pharmaceutical purposes; linseed meal for pharmaceutical purposes; flour for pharmaceutical purposes; bracelets impregnated with insect repellent; bromine for pharmaceutical purposes; bronchodilating preparations; vaginal washes for medical purposes; petroleum jelly for medical purposes; vaccines; absorbent cotton; antiseptic cotton; aseptic cotton; cotton for medical purposes; wadding for medical purposes; cotton swabs for medical purposes; veterinary preparations; tartar for pharmaceutical purposes; decoctions for pharmaceutical purposes; vitamin preparations; seawater for medicinal bathing; mineral waters for medical purposes; hydrated chloral for pharmaceutical purposes; dietary fibre; charcoal for pharmaceutical purposes; astringents for medical purposes; gases for medical purposes; gallic acid for pharmaceutical purposes; guaiacol for pharmaceutical purposes; sexual stimulant gels; haematogen; haemoglobin; haemostatic pencils; herbicides; hydrastine; hydrastinine; mustard for pharmaceutical purposes; mustard oil for medical purposes; mustard plasters; glycerine for medical purposes; glycerophosphates; glucose for medical purposes; homogenized food adapted for medical purposes; hormones for medical purposes; mud for baths; medicinal mud; vulnerary sponges; contraceptive sponges; rubber for dental purposes; gamboge for medical purposes; gurjun balsam for medical purposes; disinfectants; disinfectants for chemical toilets; disinfectants for hygiene purposes; deodorants for clothing and textiles; deodorants, other than for human beings or for animals; aromatic deodorizers for toilets; deodorizers for litter trays; cedar wood for use as an insect repellent; detergents for medical purposes; digitalin; infant formula; diagnostic preparations for veterinary purposes; diagnostic preparations for medical purposes; diastase for medical purposes; dietary supplements for animals; royal jelly dietary supplements; glucose dietary supplements; pollen dietary supplements; dietary supplements with a cosmetic effect; linseed dietary supplements; linseed oil dietary supplements; acai powder dietary supplements; propolis dietary supplements; wheat germ dietary supplements; dietetic beverages adapted for medical purposes; dietetic substances adapted for medical use; dietetic foods adapted for medical purposes; whey protein dietary supplements; brewer's yeast dietary supplements; mineral dietary supplements; yeast for pharmaceutical purposes; yeast dietary supplements; eucalyptus for pharmaceutical purposes; eucalyptol for pharmaceutical purposes; plant extracts for pharmaceutical purposes; herbal extracts for medical purposes; extracts of hops for pharmaceutical purposes; elixirs [pharmaceutical preparations]; enzymes for veterinary purposes; enzymes for medical purposes; enzyme dietary supplements; enzyme preparations for medical purposes; esters for pharmaceutical purposes; cellulose esters for pharmaceutical purposes; ethers for phar-

maceutical purposes; cellulose ethers for pharmaceutical purposes; febrifuges; gelatine for medical purposes; milking grease; greases for veterinary purposes; greases for medical purposes; nicotine gum for use as an aid to stop smoking; chewing gum for medical purposes; nervines; unguents; isotopes for medical purposes; immunostimulants; reagent paper for veterinary purposes; reagent paper for medical purposes; insecticides; Irish moss for medical purposes; iodine for pharmaceutical purposes; alkaline iodides for pharmaceutical purposes; iodides for pharmaceutical purposes; iodoform; casein dietary supplements; calomel [fungicide]; gum for medical purposes; camphor for medical purposes; camphor oil for medical purposes; cannabidiol for medical use; capsules for medicines; capsules made of dendrimer-based polymers, for pharmaceuticals; carbolineum [parasiticide]; caustics for pharmaceutical purposes; caustic pencils; cachou for pharmaceutical purposes; quassia for medical purposes; quebracho for medical purposes; oxygen for medical purposes; acids for pharmaceutical purposes; oxygen baths; bone cement for surgical and orthopaedic purposes; fly glue; adhesives for dentures; cocaine for medical purposes; collagen for medical purposes; collodion for pharmaceutical purposes; compresses; chemical contraceptives; angostura bark for medical purposes; condurango bark for medical purposes; croton bark; mangrove bark for pharmaceutical purposes; myrobalan bark for pharmaceutical purposes; barks for pharmaceutical purposes; quinquina for medical purposes; medicinal roots; rhubarb roots for pharmaceutical purposes; medicated animal feed; lint for medical purposes; collyrium; cream of tartar for pharmaceutical purposes; creosote for pharmaceutical purposes; blood for medical purposes; depuratives; styptic preparations; dill oil for medical purposes; starch for dietetic or pharmaceutical purposes; biological tissue cultures for veterinary purposes; biological tissue cultures for medical purposes; cultures of microorganisms for medical or veterinary use; curare; dental lacquer; breast-nursing pads; milk sugar for pharmaceutical purposes; adhesive plasters; lecithin for medical purposes; lecithin dietary supplements; fly catching paper; medicines for alleviating constipation; medicines for human purposes; medicines for veterinary purposes; drugs for medical purposes; medicines for dental purposes; corn remedies; remedies for perspiration; remedies for foot perspiration; liniments; liquorice for pharmaceutical purposes; medicated hair lotions; lotions for veterinary purposes; lotions for pharmaceutical purposes; medicated after-shave lotions; personal sexual lubricants; lupulin for pharmaceutical purposes; magnesia for pharmaceutical purposes; sunburn ointments; ointments for pharmaceutical purposes; frostbite salve for pharmaceutical purposes; gauze for dressings; massage gels for medical purposes; massage candles for therapeutic purposes; bone void fillers comprised of living tissues; dental impression materials; teeth filling material; diaper

changing mats, disposable, for babies; medicinal alcohol; medicine cases, portable, filled; medical preparations for slimming purposes; melissa water for pharmaceutical purposes; sanitary tampons; menthol; almond milk for pharmaceutical purposes; antibacterial handwashes; dog washes [insecticides]; animal washes [insecticides]; cattle washes [insecticides]; insecticidal veterinary washes; antibacterial soap; disinfectant soap; medicated soap; moulding wax for dentists; moleskin for medical purposes; powdered milk for babies; lacteal flour for babies; milk ferments for pharmaceutical purposes; freeze-dried meat adapted for medical purposes; mint for pharmaceutical purposes; vitamin supplement patches; nicotine patches for use as aids to stop smoking; scapulars for surgical purposes; medicinal drinks; vesicants; narcotics; linseed for pharmaceutical purposes; medicinal infusions; tincture of iodine; tinctures for medical purposes; nutraceutical preparations for therapeutic or medical purposes; fumigating sticks; fumigation preparations for medical purposes; cachets for pharmaceutical purposes; wart pencils; medicinal oils; oil of turpentine for pharmaceutical purposes; opiates; opium; opodeldoc; mouthwashes for medical purposes; rat poison; poisons; bacterial poisons; headache relief sticks; stick liquorice for pharmaceutical purposes; sanitary panties; paper for mustard plasters; mothproofing paper; parasiticides; medicated toothpaste; pastilles for pharmaceutical purposes; pectin for pharmaceutical purposes; disposable absorbent pads for lining pet crates; disposable house training pads for pets; babies' diapers; peepsins for pharmaceutical purposes; peptones for pharmaceutical purposes; dressings, medical; hydrogen peroxide for medical purposes; pearl powder for medical purposes; pesticides; antioxidant pills; tanning pills; appetite suppressant pills; slimming pills; diapers for pets; swim diapers, reusable, for babies; swim diapers, disposable, for babies; diapers for incontinence; babies' diaper-pants; blood plasma; by-products of the processing of cereals for dietetic or medical purposes; eyepatches for medical purposes; nutritional supplements; nutritive substances for microorganisms; bouillons for bacteriological cultures; pomades for medical purposes; powder of cantharides; pyrethrum powder; porcelain for dental prostheses; laxatives; bismuth preparations for pharmaceutical purposes; pre-filled syringes for medical purposes; haemorrhoid preparations; preparations for callouses; chilblain preparations; bath preparations for medical purposes; air deodorizing preparations; mothproofing preparations; preparations for reducing sexual activity; preparations for destroying dry rot fungus; larvae exterminating preparations; preparations for destroying mice; fly destroying preparations; slug exterminating preparations; preparations for destroying noxious animals; preparations for destroying vermin; acne treatment preparations; preparations for the treatment of burns; lice treatment preparations [pediculicides]; opotherapy preparations; air purifying preparations; appetite

suppressants for medical purposes; medicinal hair growth preparations; sterilizing preparations; soil-sterilizing preparations; medicated dentifrices; contact lens cleaning preparations; aloe vera preparations for pharmaceutical purposes; preparations of trace elements for human and animal use; preparations of microorganisms for medical or veterinary use; medicated toiletry preparations; anti-inflammatories; preparations to facilitate teething; poultices; chemical conductors for electrocardiograph electrodes; food for babies; freeze-dried food adapted for medical purposes; sanitary towels; purgatives; propolis for pharmaceutical purposes; protein dietary supplements; protein supplements for animals; corn rings for the feet; antiparasitic collars for animals; antiparasitic preparations; anticryptogamic preparations; leeches for medical purposes; radium for medical purposes; radioactive substances for medical purposes; diagnostic biomarker reagents for medical purposes; radiological contrast substances for medical purposes; insect repellents; insect repellent incense; repellents for dogs; digestives for pharmaceutical purposes; fish meal for pharmaceutical purposes; cod liver oil; castor oil for medical purposes; ergot for pharmaceutical purposes; solutions for contact lenses; medicated eye-washes; solvents for removing adhesive plasters; cannabis for medical purposes; mercurial ointments; sarsaparilla for medical purposes; lead water; sedatives; tissues impregnated with pharmaceutical lotions; serotherapeutic medicines; siccatives [drying agents] for medical purposes; serums for medical purposes; syrups for pharmaceutical purposes; sulfur sticks [disinfectants]; turpentine for pharmaceutical purposes; diagnostic strips for testing breast milk for medical purposes; soporifics; salts for mineral water baths; bath salts for medical purposes; smelling salts; potassium salts for medical purposes; mineral water salts; salts for medical purposes; sodium salts for medical purposes; malt for pharmaceutical purposes; malted milk beverages for medical purposes; semen for artificial insemination; alcohol for pharmaceutical purposes; alloys of precious metals for dental purposes; douching preparations for medical purposes; steroids; stem cells for veterinary purposes; stem cells for medical purposes; dental abrasives; dental amalgams; dental amalgams of gold; dental mastics; dental cements; strychnine; adhesive tapes for medical purposes; sulfonamides [medicines]; suppositories; therapeutic preparations for the bath; thermal water; tetrahydrocannabinol [THC] for medical use; thymol for pharmaceutical purposes; gentian for pharmaceutical purposes; tonics [medicines]; smoking herbs for medical purposes; medicinal herbs; transplants [living tissues]; pants, absorbent, for incontinence; tobacco extracts [insecticides]; pharmaceutical preparations; pharmaceutical preparations for treating dandruff; pharmaceutical preparations for skin care; pharmaceutical preparations for treating sunburn; lime-based pharmaceutical preparations; pharmaceuticals; phenol for pharmaceutical purposes;

fennel for medical purposes; ferments for pharmaceutical purposes; enzyme preparations for veterinary purposes; injectable dermal fillers; phytotherapy preparations for medical purposes; formic aldehyde for pharmaceutical purposes; phosphates for pharmaceutical purposes; fungicides; chemico-pharmaceutical preparations; chemical preparations for the diagnosis of pregnancy; chemical preparations for treating wheat blight; chemical preparations for treating phylloxera; chemical preparations for treating diseases affecting vine plants; chemical preparations for treating diseases affecting cereal plants; chemical preparations for treating mildew; chemical preparations for veterinary purposes; chemical preparations for medical purposes; chemical preparations for pharmaceutical purposes; chemical reagents for medical or veterinary purposes; quinine for medical purposes; chinoline for medical purposes; surgical implants comprised of living tissues; surgical glues; surgical dressings; diabetic bread adapted for medical use; chloroform; flowers of sulfur for pharmaceutical purposes; cement for animal hooves; medicated sweets; crystallized rock sugar for medical purposes; sugar for medical purposes; herbal teas for medicinal purposes; bath tea for therapeutic purposes; medicinal tea; asthmatic tea; medicated shampoos for pets; insecticidal animal shampoos; medicated shampoos; pediculicidal shampoos; medicated dry shampoos; panty liners [sanitary]; jujube, medicated; jalap.

(260) AM 2024 122927 A

(800) 1355768

(151) 2017 02 27

(891) 2023 03 16

(731) ROTO-CART SPA

Via della Fornace 2, fraz. Castelminio, I-31023  
RESANA (TV), Italy

(540)

## ROTO-CART PATIS

(591) Black, white

(511)

16 – Disposable paper goods namely toilet paper, kitchen towels, towels of paper in rolls, paper to wipe the grease, table napkins of paper, tissues, paper towels for dispensers.

(260) AM 2024 122928 A

(800) 1356381

(151) 2017 02 27

(891) 2023 03 16

(731) ROTO-CART SPA

Via della Fornace 2, fraz. Castelminio, I-31023  
RESANA (TV), Italy

(540)

## ROTO-CART TOFFLY

(591) Black, white

(511)

16 – Disposable paper goods namely toilet paper, kitchen towels, towels of paper in rolls, paper to wipe the grease, table napkins of paper, tissues, paper towels for dispensers.

(260) AM 2024 122929 A

(800) 1504436

(151) 2019 07 22

(891) 2023 05 01

(731) EASTMAN AUTO AND POWER LIMITED

572, udyog vihar, phase-v, gurgaon 122016,  
India

(540)

## EASTMAN

(591) Black, white

(531) 27.05.01

(511)

9 – Battery for all vehicles, electric vehicles including two wheelers, lighting, pocket lamps; electric battery charger; container for battery; dry battery, electric storage battery, electrochemical battery, galvanic battery, grids for battery, high tension battery, battery plates, power supply battery, rechargeable battery, separators being parts of battery; solar battery; switches for detaching battery; acid meters for battery; inverters; laptop; mobile phones; compact music players.

(260) AM 2024 122985 A

(800) 1730808

(151) 2023 03 25

(891) 2023 03 25

(731) ASSOULINE PUBLISHING INC.

3 Park Avenue, 27th Floor, New York  
NY 10016, USA

(540)

## ASSOULINE

(591) Black, white

(511)

16 – Printed matter, namely, series of fiction books, catalogs featuring all types of consumer goods and services, notably, fashion, beauty, cosmetics, entertainment, travel and health care products and services, posters, magazines featuring fashion, entertainment, travel, beauty, cosmetics health products and services as well as personalities and institutions.

41 – Publication of books, all in the fields of fashion, beauty, cosmetics, entertainment, travel and health.

(260) AM 2024 122993 A

(800) 1730966

(151) 2022 12 21

(891) 2022 12 21

(731) Euro Games Technology Ltd.

4, "Maritsa" Str., "Vranya-Lozen-Triugulnika",  
BG-1151 Sofia, Bulgaria

(540)

**FLAMING FRUITS**

(591) Black, white

(511)

9 – Operating computer software for main frame computers; monitors (computer hardware); computer hardware; apparatus for recording images; monitors (computer programs); computer game programs; computer programs for recorded games; apparatus for recording, transmission or reproduction of sound or images; communications servers [computer hardware]; electronic components for gambling machines; computer application software featuring games and gaming; computer software for the administration of on-line games and gaming; computer hardware for games and gaming; computer hardware and software for gambling, gambling machines, gambling games on the Internet and via telecommunication network; computer systems; computer operating system software; computer terminals; interactive terminals; multimedia terminals; electronic terminals for generating lottery tickets; interactive touch screen terminals; computer touchscreens; electronic display panels; liquid crystal display screens; digital signage display panels; multimedia software; multimedia apparatus and instruments; interactive multimedia software for playing games; computer screens; LCD large-screen displays; liquid crystal displays (LCDs) for home theatres; media streaming software; computer application software for streaming audio-visual media content via the Internet; software, computer gaming software; computer software packages; computer operating system software; computer software, recorded; software drivers; virtual reality software; games software; entertainment software for computer games; computer programs for network management; electronic lottery tickets; computer software platforms; operating systems; interactive computer systems; operating system programs; computer game software for use with on-line interactive games; games software for use with video game consoles; electronic game software provided via a global computer network or delivered via electronic multimedia broadcasting or by telecommunications or electronic transmission or via the Internet; computer games provided through a global computer network or supplied by means of multi-media electronic broadcast or through telecommunications or electronic transmission or via the internet.

28 – Gaming machines for gambling; chips for gambling; mah-jong; arcade games; gambling machines operating with coins, notes and cards; games; electronic games; parlor games; gaming chips; gaming tables; slot machines [gaming machines]; LCD game machines; slot machines and gaming devices; coin-operated amusement machines; roulette chips; poker chips; chips and dice [gaming equipment]; gaming equipment for casinos; roulette tables; gaming roulette wheels; casino games; gambling machines and amuse-

ment machines, automatic and coin-operated; coin-operated amusement machines and/or electronic coin-operated amusement machines with or without the possibility of gain; boxes for coin-operated amusement machines, slot machines and gaming machines; electronic or electrotechnical amusement machines and apparatus, gaming machines, coin-operated entertainment machines; housings for coin-operated amusement machines, gaming equipment, gaming machines, machines for gambling; electropneumatic and electrical gambling machines (slot machines); lottery games; electronic targets for games and sports; video game consoles.

41 – Gambling; entertainment services related to gambling; gaming services for entertainment purposes; casino, gaming and gambling services; training in the development of software systems; provision of gaming equipment for gambling halls; providing casino equipment [gambling]; gaming machine entertainment services; providing casino facilities [gambling]; amusement arcade services; amusement arcades; games equipment rental; rental of gaming machines; providing amusement arcade services; rental of gaming machines with images of fruits; editing or recording of sounds and images; sound recording and video entertainment services; hire of sound reproducing apparatus; provision of gaming equipment for casinos; providing of casino facilities; online gambling services; casino management services; provision of gaming facilities, gaming hall facilities, Internet casinos and online gambling services; lottery services; organization of lotteries; provision of games by means of a computer based system; online interactive entertainment; on-line casino services; online game services through mobile devices; providing online entertainment in the nature of game tournaments; providing on-line information in the field of computer gaming entertainment; sports betting services; online sports betting services; providing on-line computer games and games of chance, in particular use of non-downloadable games; rental of video game consoles; electronic game services provided via a global computer network or delivered via electronic multimedia broadcasting or via telecommunications or electronic transmission or via the Internet.

(260) AM 2024 122994 A

(800) 1730974

(151) 2023 04 04

(891) 2023 04 04

(731) Samsung Electronics Co., Ltd.

129, Samsung-ro, Yeongtong-gu, Suwon-si,  
Gyeonggi-do, Republic of Korea

(540)

**Knox Matrix**

(591) Black, white

(511)

9 – Computer programs for security for computers, tablet computers and smartphones; downloadable platform software programs for computer security for computers, tablet computers and smartphones in the field of enterprise mobility management for use in managing, monitoring and securing access to software programs and proprietary data used on computers, tablet computers and smartphones of employees that may be downloaded from a global computer network; downloadable platform software programs for computer security for computers, tablet computers and smartphones for use to ensure company-owned devices are always under IT control and to allow for remote controlling and updating of operating systems on such company-owned devices; downloadable and preloaded computer security software; downloadable and recorded preloaded computer security software in the field of enterprise mobility management for use in managing, monitoring and securing access to software programs and proprietary data used on devices of employees that may be downloaded from a global computer network; downloadable and recorded preloaded computer security software for use to ensure company-owned devices are always under IT control and to allow for remote controlling and updating of operating systems on such company-owned devices; downloadable and preloaded smartphone security software; downloadable and recorded preloaded smartphone security software in the field of enterprise mobility management for use in managing, monitoring and securing access to software programs and proprietary data used on smartphone devices of employees that may be downloaded from a global computer network; downloadable and recorded preloaded smartphone security software for use to ensure company-owned devices are always under IT control and to allow for remote controlling and updating of operating systems on such company-owned devices; downloadable and preloaded tablet PC security software; downloadable and recorded preloaded tablet PC security software in the field of enterprise mobility management for use in managing, monitoring and securing access to software programs and proprietary data used on tablet PC devices of employees that may be downloaded from a global computer network; downloadable and recorded preloaded tablet PC security software for use to ensure company-owned devices are always under IT control and to allow for remote controlling and updating of operating systems on such company-owned devices; computer hardware and software for use in providing secure remote access to computer and communication networks; smartphone hardware and software for use in providing secure remote access to smartphone and communication networks; tablet PC hardware and software for use in providing secure remote access to tablet PC and communication networks; computer software for logistics management system by using bar codes information; computer software for

tracking of goods in transit; computer programs within the area of business solutions; cloud computing software; encryption software.

42 – Computer security consultancy; computer security threat analysis for protecting data; design and development of electronic data security systems; development of software for secure network operations; maintenance of computer software relating to computer security and prevention of computer risks; updating of computer software relating to computer security and prevention of computer risks; computer security consultancy for security platform software, computer security software, smartphone security software, tablet PC security software, and secure remote access to computer, smartphone, tablet PC and communication networks; computer security threat analysis for security platform software, computer security software, smartphone security software, tablet PC security software, and secure remote access to computer, smartphone, tablet PC and communication networks; design and development of security systems of secure remote access to computer, smartphone, tablet PC and communication networks; development of computer software for security platform, computer security, smartphone security, tablet PC security and secure remote access to computer, smartphone, tablet PC and communication networks; maintenance of computer software relating to security platform, computer security, smartphone security, tablet PC security, and secure remote access to computer, smartphone, tablet PC and communication networks; updating of computer software relating to computer security, smartphone security, tablet PC security, and secure remote access to computer, smartphone, tablet PC and communication networks; prevention of risks relating to computer security, smartphone security, tablet PC security, and secure remote access to computer, smartphone, tablet PC and communication networks; development, maintenance and updating of computer software for logistics management system by using bar codes information; development, maintenance and updating of computer software for tracking of goods in transit; development, maintenance and updating of computer software; development of computer platforms; platform as a service [PaaS]; data encryption services; provision of cloud computing software.

---

(260) AM 2024 123029 A

(800) 1731936

(151) 2023 04 18

(891) 2023 04 18

(731) JACK DANIEL'S PROPERTIES, INC.

4040 CIVIC CENTER DRIVE, SUITE 528,  
SAN RAFAEL CA 94903, USA

(540)

**JACK**

(591) Black, white

(511)  
33 – Alcoholic beverages, namely whiskey.

(260) AM 2024 123035 A

(800) 1732020

(151) 2022 03 18

(891) 2022 03 18

(731) Philipp Plein

Via Dufour 20, CH-6900 Lugano, Switzerland

(540)



(591) Black, white

(531) 26.05.01; 26.05.18; 27.05.14

(511)

11 – Lighting, lamps, lamp glasses, light bulbs, chandeliers, lampshade holders, lampshades, hanging lamps, street lamps, lighting equipment and installations; light reflectors; diffusers (light -); light installations; light assemblies; light bars; light shades; light bulbs; light projectors; strobe lights [light effects]; electric lights; fluorescent lights; desk lights; wall lights; ceiling lights; emergency lights; decorative lights; lighting lamps; lighting installations; lighting units; lighting apparatus; halogen light bulb; electric light fittings; LED light bulbs; ceiling light fittings; miniature light bulbs; fluorescent light bulbs; roof lights [lamps]; electric night lights; lighted disco balls; lanterns for lighting; decorative lighting sets; outdoor lighting fittings; installations for lighting; lights for festive decoration; decorative electric lighting apparatus; hurricane lamps.

20 – Objects for home, office and hotel furnishing, namely furniture, living room furniture, kitchen furniture, bathroom furniture and bedroom furniture; furniture for offices; furniture, including chairs, seats, lounge chairs, sofas, bunks, settees, divans, tables, coffee tables, end tables, beds, bed bases, cupboards, stacking dresser drawer units, bookcases, wardrobes, credenzas; mirrors, picture frames and photograph frames of wood, cork, reed, cane, wicker, horn, bone, ivory, whalebone, shell, amber, mother-of-pearl, meerscham and substitutes for all these materials, or of plastics, not included in other classes; wine racks; book rests [furniture]; umbrella stands; hangers for clothes, mattresses, cushions; cushions; baskets, non-metallic; room dividers; wall decorations of wood, wall decorations of wax, wall decorations of plaster, works of wall art made of plastic and included in this class; towel stands [furniture]; furniture of plastics material for bathrooms; towel closets [furniture]; modular bathroom furniture; kitchen cupboards; kitchen units [furniture]; kitchen cabinets; kitchen tables; kitchen display units; fitted kitchen furniture; height ad-

justable kitchen furniture; kitchen cabinets; bathroom mirrors; bathroom cupboards; bathroom cabinets; bathroom stools; non-metallic bathroom hooks; bathroom vanity units incorporating basins; bathroom vanities being furniture; fitted bedroom furniture; cupboards for bedrooms; statues, figurines, works of art and ornaments and decorations, made of materials such as wood, wax, plaster or plastic, included in the class; curtains (bead -) for decoration; adhesive wall decorations of wax; non-metal or non-electric door bells.

21 – Household or kitchen utensils and containers; unworked or semi-worked glass (except glass used in building); glassware, chinaware, porcelain and earthenware; candle jars [holders], candle stands, tea light holders; butlers' trays; statues, figurines, plaques and works of art of materials including porcelain, terracotta or glass; crockery of glass or porcelain; bowls [basins], pots, cabarets [trays], coolers for wine; decanters; vases; boxes of glass or ceramic; cooking utensils; cleaning utensils for toilets and bathrooms; cosmetic utensils; baking utensils; utensil jars; dishes [household utensils]; spatulas [kitchen utensils]; egg separators [kitchen utensils]; molds [kitchen utensils]; moulds [kitchen utensils]; garlic presses [kitchen utensils]; wire baskets [cooking utensils]; grills [cooking utensils]; trivets [table utensils]; griddles [cooking utensils]; graters [household utensils]; sieves [household utensils]; sifters [household utensils]; turners (kitchen utensil); skewers (cooking utensil); cinder sifters [household utensils]; serving utensils [pastry servers]; utensils for household purposes; wooden chopping blocks [utensils]; basting spoons [cooking utensils]; cooking utensils, non-electric; aluminium moulds [kitchen utensils]; mixing spoons [kitchen utensils]; kitchen utensils of silicon; cooking utensils for barbecue use; non-electric griddles [cooking utensils]; toilet and bathroom cleaning utensils; kitchen utensils, not of precious metal; toilet cleaning utensils; cooking utensils for use with domestic barbecues; grills in the nature of cooking utensils; laundry balls for use as household utensils; household utensils for cleaning, brushes and brush-making materials; ornamental glass; painted glassware; crystal [glassware]; sculptures of glass; artworks of glass; decorative glass spheres; ornaments made of glass; garden gnomes of glass; model vehicles [ornaments] made of glass; decorative objects [ornaments] made of glass; busts of china, terra-cotta or glass; busts of porcelain, ceramic, earthenware or glass; statues of porcelain, ceramic, earthenware or glass.

27 – Carpets and rugs, including being hand-made; non-textile wall coverings; moquettes [carpets]; bathroom tiles [carpet]; carpet tiles made of rubber; carpet tiles made of plastics; carpet runners; wallpapers; plastic wallpaper; plastic wall coverings; wall paper of vinyl; wallpaper of cork; wall hangings (non-textile).

(260) AM 2024 123037 A

(800) 1732027

(151) 2022 12 21

(891) 2022 12 21

(731) Euro Games Technology Ltd.

4, "Maritsa" Str., "Vranya-Lozen-Triugulnika",  
BG-1151 Sofia, Bulgaria

(540)

## Shining Booom

(591) Black, white

(511)

9 – Operating computer software for main frame computers; monitors (computer hardware); computer hardware; apparatus for recording images; monitors (computer programs); computer game programs; computer programs for recorded games; apparatus for recording, transmission or reproduction of sound or images; communications servers [computer hardware]; electronic components for gambling machines; computer application software featuring games and gaming; computer software for the administration of on-line games and gaming; computer hardware for games and gaming; computer hardware and software for gambling, gambling machines, gambling games on the Internet and via telecommunication network; computer systems; computer operating system software; computer terminals; interactive terminals; multimedia terminals; electronic terminals for generating lottery tickets; interactive touch screen terminals; computer touchscreens; electronic display panels; liquid crystal display screens; digital signage display panels; multimedia software; multimedia apparatus and instruments; interactive multimedia software for playing games; computer screens; LCD large-screen displays; liquid crystal displays [LCDs] for home theatres; media streaming software; computer application software for streaming audio-visual media content via the Internet; software; computer gaming software; computer software packages; computer operating system software; computer software, recorded; software drivers; virtual reality software; games software; entertainment software for computer games; computer programs for network management; electronic lottery tickets; computer software platforms; operating systems; interactive computer systems; operating system programs; computer game software for use with on-line interactive games; games software for use with video game consoles; electronic game software provided via a global computer network or delivered via electronic multimedia broadcasting or by telecommunications or electronic transmission or via the Internet.

28 – Gaming machines for gambling; chips for gambling; mah-jong; arcade games; gambling machines operating with coins, notes and cards; games; electronic games; parlor games; gaming chips; gaming tables; slot machines [gaming machines]; LCD game machines; slot machines and gaming devices; coin-operated amusement machines; roulette chips; poker

chips; chips and dice [gaming equipment]; gaming equipment for casinos; roulette tables; gaming roulette wheels; casino games; gambling machines and amusement machines, automatic and coin-operated; coin-operated amusement machines and/or electronic coin-operated amusement machines with or without the possibility of gain; boxes for coin-operated amusement machines, slot machines and gaming machines; electronic or electrotechnical amusement machines and apparatus, gaming machines, coin-operated entertainment machines; housings for coin-operated amusement machines, gaming equipment, gaming machines, machines for gambling; electropneumatic and electrical gambling machines (slot machines); lottery games; electronic targets for games and sports; video game consoles; electronic games provided via a global computer network or delivered via electronic multimedia broadcasting or via telecommunications or electronic transmission or via the Internet.

41 – Gambling; entertainment services related to gambling; gaming services for entertainment purposes; casino, gaming and gambling services; training in the development of software systems; provision of gaming equipment for gambling halls; providing casino equipment [gambling]; gaming machine entertainment services; providing casino facilities [gambling]; amusement arcade services; amusement arcades; games equipment rental; rental of gaming machines; providing amusement arcade services; rental of gaming machines with images of fruits; editing or recording of sounds and images; sound recording and video entertainment services; hire of sound reproducing apparatus; provision of gaming equipment for casinos; providing of casino facilities; online gambling services; casino management services; provision of gaming facilities, gaming hall facilities, internet casinos and online gambling services; lottery services; organization of lotteries; provision of games by means of a computer based system; online interactive entertainment; on-line casino services; online game services through mobile devices; providing online entertainment in the nature of game tournaments; providing on-line information in the field of computer gaming entertainment; sports betting services; online sports betting services; providing on-line computer games and games of chance; rental of video game consoles; electronic game services provided via a global computer network or delivered via electronic multimedia broadcasting or via telecommunications or electronic transmission or via the Internet.

(260) AM 2024 123038 A

(800) 1732076

(151) 2023 04 25

(891) 2023 04 25

(731) Limited Liability Company "Scientific & Production company "Biopharmtox"  
Prospect Elizarova, d.34, lit. B, pom. 1N,



No. 447, Municipalnyy okrug Nevskaya zastava  
vn. ter., RU-192148 g. Saint Petersburg,  
Russian Federation

(540)

**ФИТОКАЛЬЦЕВИТ**

(591) Black, white

(531) 27.05.01; 28.05

(511)

5 – Veterinary preparations; vitamin preparations; dietary supplements for animals; medicated animal feed.

31 – Animal foodstuffs; pet food; strengthening animal forage; beverages for pets.

(260) AM 2024 123047 A

(800) 1144175

(151) 2012 11 16

(891) 2023 05 11

(731) New World Whisky Distillery Pty Limited  
50 Bertie Street, Port Melbourne VIC 3207,  
Australia

(540)

**STARWARD**

(591) Black, white

(511)

33 – Spirits (beverages); beverages containing wine (alcohol content 1.15% or more by volume).

(260) AM 2024 123106 A

(800) 1732128

(151) 2023 03 23

(891) 2023 03 23

(731) SHANGHAI HARDEN TOOLS CO., LTD.  
Unit 2006, No. 1 100 Lane, East Sport  
Road, Hongkou District, Shanghai, China

(540)

**BARUK**

(591) Black, white

(531) 27.05.17

(511)

7 – Agricultural machinery; scissors, electric; hand-held tools, other than hand-operated; electric screwdrivers; hand electric drills, excluding electric coal drills; electric nail gun; power-driven spanners; hand-held pneumatic tools; nail extractors, electric; paint spray guns.

8 – Abrading instruments, hand instruments; hand-operated, hand tools; agricultural implements, hand-operated; garden tools, hand-operated; tools for livestock marking, namely, ear tag pliers for livestock; harpoons; nail clippers, electric or non-electric; hand-operated wrenches; riveters (hand-operated hand tools); engraving tool, hand tool; knives; carry-on weapons, namely, blades; tableware (knives, forks and spoons).

9 – Measuring instrument; automatic gauges; rulers [measuring instruments]; measuring instrument; fire escapes; protective goggles; acid-resistant gloves; protective helmets; protection devices for personal use against accidents; batteries.

(260) AM 2024 123107 A

(800) 1732131

(151) 2023 05 05

(891) 2023 05 05

(731) Incyte Holdings Corporation  
1801 Augustine Cut-Off, Wilmington  
DE 19803, USA

(540)

**ATEBRIOZ**

(591) Black, white

(511)

5 – Pharmaceutical preparations for the treatment of cancer; pharmaceutical preparations for the treatment of immunological disorders; pharmaceutical preparations for the treatment of graft versus host disorder (GVHD); pharmaceutical preparations for the treatment of hematological disorders; pharmaceutical preparations for the treatment of hypophosphatemia disorders; pharmaceutical preparations for the treatment of myeloproliferative disorders; pharmaceutical preparations for the treatment of skeletal or chondrocyte disorders; pharmaceutical preparations for the treatment of dermatological disorders; pharmaceutical preparations for the treatment of fibrotic disorders.

16 – Printed brochures, newsletters, and pamphlets in the fields of medical issues, procedures, disease symptoms, patient support and community building.

44 – Providing a medical information to healthcare providers and patients relating to viral, hematological, auto-immune, graft versus host, inflammatory, metabolic, fibrotic and dermatological disorders.

(260) AM 2024 123108 A

(800) 1732136

(151) 2022 12 16

(891) 2022 12 16

(731) ERC DISTRIBUTION AG  
Poststrasse 14, CH-6302 Zug, Switzerland

(540)

**ARDESTO**

(591) Blue

(531) 15.09.11; 27.01.06; 27.03.01; 27.03.15;  
27.05.08; 27.05.17; 29.01.04

(511)

7 – Machines, machine tools, power-operated tools; machine coupling and transmission components, other than for land vehicles; agricultural implements, other than hand-operated hand tools; 3D printers; automatic

grapnels for marine purposes; air brushes for applying color; aerocondensers; glaziers' diamonds [parts of machines]; anti-friction bearings for machines; anti-friction pads for machines; apparatus for aerating water; apparatus for aerating beverages; elevator control devices; acetylene cleaning apparatus; apparatus for drawing up beer under pressure; machine drums; concrete mixers [machines]; pulleys; reels for machines; bobbins for weaving looms; harrows; flour mill machines; journal boxes [parts of machines]; bulldozers; hoppers for mechanical discharging; floating or non-floating drilling rigs; vacuum pumps [machines]; loom shafts; rolling mill cylinders; extractors for mines; ore extraction devices; loading ramps; fans for motors and engines; machine tools; die-cutting and tapping machines; threading machines; electric screwdrivers; exhaust manifolds for engines; exhausts for motors and engines; vibrators [machines] for industrial use; wringing machines for laundry; clack valves [parts of machines]; centrifugal mills; centrifugal pumps; electric whisks for household use; winnowers; water heaters being parts of machines; metal drawing machines; friezing machines; notchers [machine tools]; coal-cutting machines; suction machines for industrial use; suction nozzles for vacuum cleaners; carbon brushes [electricity]; vulcanization apparatus; knitting machines; lawnmowers [machines]; brake shoes other than for vehicles; brake pads other than for vehicles; brake linings other than for vehicles; brake segments other than for vehicles; emergency power generators; alternators; dynamos; bicycle dynamos; current generators; hydraulic engines and motors; hydraulic turbines; torque converters other than for land vehicles; mine borers; mineworking machines; mufflers for motors and engines; cylinder heads for engines; card clothing [parts of carding machines]; potters' wheels; machines for sharpening; rakes for raking machines; engraving machines; stalk separators [machines]; mud catchers and collectors [machines]; tarring machines; rubber tracks being parts of crawlers on construction machines; rubber tracks being parts of crawlers on mining machines; rubber tracks being parts of crawlers on loading-unloading machines and apparatus; rubber tracks being parts of crawlers on agricultural machines; rubber tracks being parts of crawlers on snowplows; airplane engines; aeronautical engines; engines for boats; engines for air cushion vehicles; compressed air engines; motors and engines other than for land vehicles; de-aerators for feedwater; disintegrators; tympan [parts of printing presses]; woodworking machines; derricks; joysticks being parts of machines, other than for game machines; adhesive tape dispensers [machines]; dividing machines; mortizing machines; milking machines; chisels for machines; jacks [machines]; pneumatic jacks; self-propelled road sweeping machines; rood making machines; drainage machines; electric hand drills; electric kitchen grinders; typographic machines; typographic presses; printing plates; printing rollers for machines; printing

presses; printing machines; printing cylinders; ejectors; fuel economizers for motors and engines; excavators; electrical apparatus for sealing plastics [packaging]; electric welding apparatus; electric hammers; electricity generators; electric motors other than for land vehicles; electrodes for welding machines; electric arc welding apparatus; electric arc cutting apparatus; electromechanical machines for the chemical industry; moving staircases [escalators]; labelers; flues for engine boilers; feeders [parts of machines]; feeding apparatus for engine boilers; reapers; reapers and binders; millstones; handling apparatus [for loading and unloading]; railroad constructing machines; igniting devices for internal combustion engines; chucks [parts of machines]; scale collectors for machine boilers; gas-operated soldering apparatus; gas-operated welding apparatus; electric welding machines; bending machines; raking machines; grain separators; reapers and threshers; joints [parts of engines]; shaft couplings [machines]; mixing machines; mixers; electric blenders for household use; machine wheelwork; couplings other than for land vehicles; stitching machines; injectors for engines; incubators for eggs; electric ski edge sharpening tools; control cables for machines, engines or motors; capstans; coffee grinders, other than hand operated; calenders [machines]; size adjustment cutting machines for industrial use; stone-working machines; ditchers [plows]; guards [parts of machines]; carburetors; carburetor feeders; sliders for knitting machines; crankcases for machines, motors and engines; catalytic converters; hydraulic controls for machines, motors and engines; pneumatic controls for machines, motors and engines; piston segments; valves [parts of machines]; electric glue guns; riveting machines; machine wheels; crank shafts; compressors [machines]; compressors for refrigerators; conveyors [machines]; converters for steelworks; steam condensers [parts of machines]; condensing installations; diggers [machines]; rams [machines]; cranks [parts of machines]; boxes for matrices [printing]; gearboxes other than for land vehicles; housings (parts of machines); steam engine boilers; mechanical reels for flexible hoses; basket presses; cranes [lifting and hoisting apparatus]; taps [parts of machines, engines or motors]; hangers [parts of machines]; tilt hammers; ball rings for bearings; cultivators [machines]; electric food processors; electric kitchen machines; gas-operated blow torches; elevator chains [parts of machines]; chain saws; winches; blade sharpening [stropping] machines; blade holders [parts of machines]; foundry machines; molds [parts of machines]; elevators (lifts); mechanical shovels; blades [parts of machines]; igniting magnetos; automatic handling machines [manipulators]; churns; butter machines; grease rings [parts of machines]; grease boxes [parts of machines]; lubricating pumps; lubricators [parts of machines]; matrices for use in printing; machine fly-wheels; coating machines; whitewashing machines; sausage making machines; cord making

machines; lace making machines; stereotype machines; bitumen making machines; pasta making machines; apparatus for the mineralization of drinking water; sugar making machines; electroplating machines; swaging machines; electromechanical food preparation machines; electromechanical apparatus for beverage preparation; printing machines for use on sheet metal; dyeing machines; bottle capping machines; bottle stoppering machines; sealing machines for industrial use; bottle sealing machines; bicycle assembling machines; harvesting machines; earth-moving machines; leather paring machines; finishing machines; grain husking machines; bottle washing machines; typesetting machines [printing]; filling machines; racket stringing machines; leather-working machines; machines for transformation of plastic materials; ore treating machines; glass-working machines; tobacco processing machines; peeling machines; papermaking machines; dairy machines; oil refining machines; brewing machines; hemming machines; crushing machines; grinding machines; shearing machines for animals; machines for the textile industry; embossing machines; waste compacting machines; electric machines and apparatus for carpet shampooing; electric machines and apparatus for polishing; electric machines and apparatus for wax-polishing; electric machines and apparatus for cleaning; pump diaphragms; metalworking machines; control devices for machines, engines or motors; mechanized livestock feeders; power hammers; high-pressure washers; washing installations for vehicles; washing apparatus; fleshing machines; bellows [parts of machines]; forge blowers; agitators; mills [machines]; pepper mills other than hand-operated; mills for household use other than hand-operated; threshing machines; hammers [parts of machines]; cream/milk separators; motor and engine mounts other than for land vehicles; roller bridges; motorized cultivators; motors for boats; freewheels other than for land vehicles; clutches other than for land vehicles; meat choppers [machines]; pressure valves [parts of machines]; superchargers; mechanical reeling apparatus; guides for machines; vacuum cleaner attachments for disseminating perfumes and disinfectants; pumps [machines]; pumps [parts of machines, engines or motors]; aerating pumps for aquariums; pumps for heating installations; beer pumps; electric shears; electric scissors; knives for mowing machines; chaff cutter blades; electric knives; electric can openers; kick starters for motorcycles; wrapping machines; rotary printing presses; fittings for engine boilers; braiding machines; axles for machines; dust removing installations for cleaning purposes; dust exhausting installations for cleaning purposes; fuel-dispensing pumps for service stations; portable rotary steam presses for fabrics; steamrollers; steam engines; steam/oil separators; superheaters; steam traps; fan belts for motors and engines; dynamo belts; belts for motors and engines; elevator belts; adhesive bands for pulleys; gas-operated soldering irons; electric solde-

ring irons; electric soldering apparatus; gas-operated soldering blow pipes; soldering lamps; pedal drives for sewing machines; gears other than for land vehicles; fuel conversion apparatus for internal combustion engines; saws [machines]; saw blades [parts of machines]; vacuum cleaners; saw benches [parts of machines]; lifting apparatus; hoists; railway wagon lifts; elevating apparatus; lifts, other than ski-lifts; bearings [parts of machines]; bearings for transmission shafts; ball-bearings; roller bearings; bearing brackets for machines; guns [tools using explosive cartridges]; spray guns for paint; plows; turf removing plows; plowshares; compressed air machines; pneumatic hammers; compressed air pumps; compressed air guns for the extrusion of mastics; pneumatic transporters; pneumatic tube conveyors; air suction machines; blowing machines; blowing machines for the compression, sucking and carrying of grain; blowing machines for the compression, exhaustion and transport of gases; air condensers; air pumps [garage installations]; paper feeders [printing]; electric crushers for kitchen use; garbage crushers [waste] [machines]; weeding machines; pistons [parts of machines or engines]; shock absorber plungers [parts of machines]; pistons for engines; pistons for cylinders; dishwashers; trimming machines; laundry washing machines; coin-operated washing machines; ironing machines; smoothing presses; presses [machines for industrial use]; wine presses; fodder presses; electric fruit presses for household use; hydraulic devices for opening windows; electric devices for opening windows; pneumatic devices for opening windows; hydraulic devices for opening doors; electric devices for opening doors; pneumatic devices for opening doors; binding apparatus for hay; hydraulic devices for closing windows; electric devices for closing windows; pneumatic devices for closing windows; hydraulic devices for closing doors; electric door closers; pneumatic devices for closing doors; degreasers [machines]; anti-pollution devices for motors and engines; air cushion devices for moving loads; electric shoe polishers; electric parquet wax-polishers; cleaning appliances utilizing steam; electrically-operated curtain-drawing devices; bookbinding apparatus and machines for industrial use; punching machines; punches for punching machines; rolling mills; rinsing machines; sifting installations; sifting machines; springs [parts of machines]; spinning frames; spinning machines; spinning wheels; puddling machines; pulverizers [machines]; sewage pulverizers; tambours for embroidery machines; cooling radiators for motors and engines; jet engines other than for land vehicles; regulators [parts of machines]; speed governors for machines, engines and motors; pressure regulators [parts of machines]; reduction gears other than for land vehicles; pressure reducers [parts of machines]; rack and pinion jacks; raitlaying machines; gears for weaving looms; gas-operated cutting blow pipes; cutters [machines]; tools [parts of machines]; cutting machines; knives being parts of

machines; robots [machines]; filling machines; camshafts for vehicle engines; vending machines; expansion tanks [parts of machines]; moving walkways; hand-held tools, other than hand-operated; propulsion mechanisms other than for land vehicles; stuffing boxes [parts of machines]; self-oiling bearings; self-regulating fuel pumps; satinizing machines; drilling machines; drilling heads [parts of machines]; drill chucks [parts of machines]; sparking plugs for internal combustion engines; glow plugs for Diesel engines; water separators; cigarette machines for industrial use; sieves [machines or parts of machines]; cinder sifters [machines]; sowers [machines]; agricultural implements other than hand-operated; agricultural elevators; agricultural machines; tedding machines; net hauling machines [fishing]; straw [chaff] cutters; pigs for cleaning pipes; snow plows; sheaf-binding machines; electric juice extractors; sorting machines for industry; suction cups for milking machines; stands for machines; starters for motors and engines; stators [parts of machines]; stands for machines; clippers [machines]; belts for conveyors; belt conveyors; planing machines; slide rests [parts of machines]; heat exchangers [parts of machines]; thermic lances [machines]; grating machines for vegetables; beating machines; electric beaters; kneading machines; looms [machines]; hosiery looms; lathes [machine tools]; vacuum cleaner bags; grindstones [parts of machines]; sharpening wheels [parts of machines]; rammers [machines]; transmissions for machines; transmission shafts other than for land vehicles; transmission chains other than for land vehicles; holding devices for machine tools; boiler tubes [parts of machines]; wind turbines; turbines other than for land vehicles; turbo-compressors; driving motors other than for land vehicles; driving chains other than for land vehicles; universal joints [Cardan joints]; packaging machines; painting machines; aprons [parts of machines]; filters as parts of machines, motors or engines; filters for cleaning cooling air, for motors and engines; filter-cartridges for filtering machines; filter presses; filtering machines; molding machines; type-setting machines [photocomposition]; milling machines; bread cutting machines; journals [parts of machines]; electric nail extractors; central vacuum cleaning installations; centrifugal machines; spin dryers [not heated]; cylinders for motors and engines; cylinders for machines; galvanizing machines; carding machines; shuttles [parts of machines]; inking apparatus for printing machines; connecting rods for machines, motors or engines; sewing machines; lasts for shoes [parts of machines]; pulleys [parts of machines]; vacuum cleaner hoses; trueing machines; shredders [machines] for industrial use; typecasting machines; die-stamping machines; stamping machines; darning machines; brushes [parts of machines]; dynamo brushes; brushes for vacuum cleaners; electrically operated brushes [parts of machines].

8 – Hand-operated hand tools and instruments; abrading instruments [hand instruments]; glaziers' diamonds [parts of hand tools]; hand-operated apparatus for destroying plant parasites; bayonets; electric or non-electric razors; razor strops; borers; pick hammers; levers; fulling tools [hand tools]; table forks; non-electric screwdrivers; forks for agricultural use [hand tools]; tap wrenches; lawn clippers [hand instruments]; wrenches [hand tools]; harpoons; harpoons for fishing; tattoo needles; scythe stones; stropping instruments; sharpening stones; leather strops; edge tools [hand tools]; pincers; goffering irons; crimping irons; rakes [hand tools]; sand trap rakes; engraving needles; cutter bars [hand tools]; handles for hand-operated hand tools; children's table spoons, knives and forks; punch pliers [hand tools]; chisels; sculptors' chisels; mortise chisels; hand-operated jacks; extension pieces for braces for screw taps; sharpening instruments; spades; clamps for carpenters or coopers; side arms, other than firearms; rabbeting planes; bits [hand tools]; electric or non-electric depilation apparatus; implements for decanting liquids [hand tools]; hand implements for hair curling; priming irons [hand tools]; gouges; numbering punches; oyster openers; hand-operated ski edge sharpening tools; ear-piercing apparatus; livestock marking tools; molding irons; stone hammers; embossers [hand tools]; punch rings [knuckle dusters]; instruments for punching tickets; ceramic knives; center punches [hand tools]; truncheons; daggers; picks [hand tools]; pickaxes; mallets [hand instruments]; annular screw plates; scythe rings; scythe handles; riveters [hand tools]; riveting hammers [hand tools]; blades [weapons]; pliers; wire strippers [hand tools]; breast drills; fireplace bellows [hand tools]; caulking irons; diggers [hand tools]; lasts [shoemakers' hand tools]; rams [hand tools]; scythes; hainault scythes; squares [hand tools]; fire irons; electric or non-electric nail clippers; blades [hand tools]; razor blades; blades for planes; shear blades; blade sharpening instruments; vices; bench vices [hand apparatus]; foundry ladles [hand tools]; electric or non-electric fingernail polishers; spoons; crow bars; shovels [hand tools]; trowels [gardening]; spatulas for use by artists; ice picks; manicure sets; electric manicure sets; palette knives; machetes; hair dippers for personal use, electric and non-electric; swords; taps [hand tools]; sledgehammers; hammers [hand tools]; masons' hammers; mattocks [hand tools]; ditchers [hand tools]; trowels; fleshing knives [hand tools]; pedicure sets; needle files; emery grinding wheels; emery files; emery boards; files; dies [hand tools]; hand pumps; metal wire stretchers [hand tools]; metal band stretchers [hand tools]; shaving cases; cattle shearers; wick trimmers [scissors]; shears; shearers [hand instruments]; pruning shears; tree pruners; border shears; scissors; non-electric can openers; farriers' knives; scaling knives; non-electric pizza cutters; grafting tools; paring knives; hunting knives; cleavers; bill-hooks; penknives; knives; cutlery; nail

drawers [hand tools]; hand-operated vegetable shredders; vegetable choppers; budding knives; reamer sockets; perforating tools [hand tools]; saws [hand tools]; jig-saws; bow saws; nail files; electric nail files; tweezers; hair-removing tweezers; guns [hand tools]; non-electric caulking guns; guns, for the extrusion of mastics; sword scabbards; table knives, forks and spoons of plastic materials; fruit pickers; paring irons [hand tools]; hand-operated air pumps; weeding forks [hand tools]; polishing irons; saw blades [parts of tools]; tool belts [holders]; flat irons; irons [non-electric hand tools]; money scoops; fish tapes [hand tools]; apparatus for tattooing; punches [hand tools]; nail punches; pin punches; thistle extractors; frames for handsaws; rasps [hand tools]; cutting tools; tube cutting instruments; bits [parts of hand tools]; graving tools; cutters; syringes for spraying insecticides; reamers; insecticide sprayers [hand tools]; expanders [hand tools]; planes; plane irons; knife handles; saw holders; hand-operated hand drills; fullers [hand tools]; hand-operated hand tools; beard clippers; hair clippers for animals [hand instruments]; hand-operated garden tools; pruning knives; hoes [hand tools]; augers [tools]; hollowing bits (parts of hand tools); gimlets [hand tools]; drill holders [tools]; pruning scissors; sickles; choppers being knives; kitchen mandolines; hand-operated agricultural implements; non-electric cheese slicers; scrapers for skis; scraping tools; axes; holing axes; hatchets; hoop cutters; silver plate [knives, forks and spoons]; table cutlery [cutlery, forks and spoons]; drawing knives; mortars for pounding [hand tools]; miter boxes; branding irons; adzes [tools]; carpenters' augers; braiders [hand tools]; sharpening steels; grindstones [hand tools]; rammers [hand tools]; earth rammers [hand tools]; whetstone holders; ratchets [hand tools]; tube cutters [hand tools]; razor cases; hobby knives [scalpels]; hand-operated nail extractors; ladles [hand tools]; hackles [hand tools]; sabers; milling cutters [hand tools]; marline spikes; awls; instruments and tools for skinning animals; spatulas [hand tools]; stamping-out tools; curling tongs; cuticle tweezers; nail nippers; eyelash curlers; non-electric egg slicers.

9 – Scientific, research, navigation, surveying, photographic, cinematographic, audiovisual, optical, weighing, measuring, signaling, detecting, testing, inspecting, life-saving and teaching apparatus and instruments; apparatus and instruments for conducting, switching, transforming, accumulating, regulating or controlling the distribution or use of electricity; apparatus and instruments for recording, transmitting, reproducing or processing sound, images or data; recorded and downloadable media, computer software, blank digital or analogue recording and storage media; cash registers, calculating devices; computers and computer peripheral devices; 3D spectacles; telephone answering machines; ticket dispensers; breakers (circuit breakers); automated teller machines [ATM]; steering devices, automatic, for vehicles; automatic indicators of low pressure in vehicle tires; aerometers;

asbestos clothing for protection against fire; asbestos gloves for protection against accidents; asbestos screens for firemen; accelerometers; actinometers; batteries for electronic cigarettes; electric accumulators; acoustic couplers; alidades; altimeters; ammeters; anemometers; anodes; anode batteries; antennas; anti-dazzle glasses; anti-glare screens; anticathodes; remote control apparatus; data processing apparatus; apparatus to check franking; electric devices for remote ignition; apparatus and installations for the production of X-rays, not for medical use; Global Positioning System [GPS] apparatus; testing apparatus not for medical use; apertometers [optics]; acid hydrometers; acidimeters for batteries; apparatus and instruments for astronomy; receivers [audio, video]; audiovisual teaching apparatus; audio interfaces; luminous beacons; balancing devices; lighting ballasts; accumulator jars; barometers; ignition batteries; electric batteries; electric accumulators for vehicles; cordless telephones; balances [steelyards]; betatrons; binoculars; biochips; computer memory devices; black boxes [data recorders]; fire hose nozzles; connected bracelets [measuring instruments]; scales; baby scales; scales with body mass analyzers; bathroom scales; weighbridges; plumb bobs; vacuum gauges; vacuum tubes [radio]; variometers; shoes for protection against accidents, irradiation and fire; measuring instruments; gauges; measuring apparatus; electric measuring apparatus; measures; current rectifiers; high-frequency apparatus; flow meters; branch boxes [electricity]; video screens; camcorders; video cassettes; video devices for monitoring babies; video telephones; photographic viewfinders; sighting telescopes for firearms; viscosimeters; wind socks for indicating wind direction; leveling staffs [surveying instruments]; peepholes [magnifying lenses] for doors; marking buoys; fire extinguishers; diving suits; diving masks; fiber-optic cables; voltmeters; ear plugs for divers; gas testing apparatus; gasometers [measuring instruments]; electric discharge tubes other than for lighting; galena crystals [detectors]; galvanic batteries; galvanic cells; galvanometers; hands-free kits for telephones; virtual reality headsets; heliographic apparatus; surveying instruments and devices; surveying chains; weights; hygrometers; hydrometers; needles for surveying compasses; needles for record players; holograms; graduated glassware; sounding leads; loudspeakers; range finders (telemeters); decompression chambers; densimeters; densitometers; detectors; smoke detectors; counterfeit coin detectors; bells [warning apparatus]; mirrors [optics]; mirrors for inspecting work; dictating machines; dynamometers; floppy disks; magnetic disks; disk drives [for computers]; juke boxes for computers; telerupters; distillation apparatus for scientific use; diffraction apparatus [microscopy]; breathing apparatus for underwater swimming; breathing apparatus, except for artificial respiration; diagnostic apparatus, not for medical use; transparencies [photography]; slide projectors; diaphragms [acoustics]; dia-

phragms [photography]; diaphragms for scientific apparatus; DNA chips; adding machines; dosage dispensers; dosimeters; luminous or mechanical road signs; road traffic cones; fuse wires; choking coils [impedance]; equalizers [audio apparatus]; screens [photography]; exposure meters [light meters]; electrified fences; electrified rails for mounting spot lights; electric installations for the remote control of industrial operations; electrical adapters; electric door bells; electricity conduits; electro-dynamic apparatus for the remote control of railway points; electro-dynamic apparatus for the remote control of signals; electromagnetic coils; electronic key fobs being remote control apparatus; downloadable electronic publications; electronic interactive whiteboards; electronic pocket translators; electronic collars to train animals; downloadable electronic sheet music; electronic pens [visual display units]; electronic notice boards; electronic access-control systems for interlocking doors; electric and electronic effect devices for musical instruments; electronic tags for goods; epidiascopes; ergometers; magnetic identification bracelets; electric locks; electronic agendas; voltage surge protectors; fuses; battery chargers; chargers for electric accumulators; chargers for electronic cigarettes; charging stations for electric vehicles; protection devices for personal use against accidents; protection devices against X-rays, not for medical use; protective suits for aviators; protective masks, not for medical use; goggles for sports; protective films adapted for computer screens; protective films adapted for smartphones; head guards for sports; mouth guards for sports; protective helmets; protective helmets for sports; acoustic [sound] alarms; sound reproduction apparatus; sound recording carriers; sound recording apparatus; phonograph records; sound recording strips; sound transmission apparatus; acoustic conduits; connectors [electricity]; couplers [data processing equipment]; connections for electric lines; electric couplings; wire connectors [electricity]; mechanical signs; luminous signs; probes for scientific use; sounding apparatus and machines; buzzers; readers [data processing equipment]; bar code readers; magnetic identity cards; inverters [electricity]; slope indicators; inclinometers; clinometers; pressure indicators; incubators for bacteria culture; instruments containing eyepieces; integrated circuits; interactive touch-screen terminals; interfaces [for computers]; infrared detectors; ionization apparatus not for the treatment of air or water; spark-guards; starter cables for motors; electric cables; calipers; calibrating rings; calorimeters; pocket calculators; teeth protectors; capillary tubes for laboratory use; memory cards for video game machines; integrated circuit cards [smart cards]; encoded key cards; carriers for dark plates [photography]; video game cartridges; cash registers; cathodes; cathodic anti-corrosion devices; mouse pads; exposed cinematographic films; cinematographic cameras; terminals [electricity]; push buttons for bells; coaxial cables; encoded magnetic cards; electric

collectors; dog whistles; compact disks [audio-video]; optical compact disks; comparators; directional compasses; marine compasses; computers; computer hardware; downloadable game software; software [recorded programs]; joysticks for use with computers, other than for video games; computer keyboards; computer peripheral devices; computer printers; magnetic tape units [for computers]; downloadable computer programs; recorded computer programs; recorded computer operating programs; commutators; electric apparatus for commutation; electrical condensers [capacitors]; electric contacts; contact lenses; containers for contact lenses; boiler control instruments; correcting lenses [optics]; junction boxes [electricity]; cabinets for loudspeakers; accumulator boxes; squares for measuring; cosmographic instruments; clothing for protection against fire; clothing for protection against fire; spools [photography]; electric coils; inductors [electricity]; laboratory pipettes; pedometers; circular slide rules; bullet-proof clothing; bullet-proof vests; azimuth instruments; laboratory trays; logs [measuring instruments]; lasers not for medical use; lactodensimeters; lactometers; darkroom lamps [photography]; flash-bulbs [photography]; spectacle chains; laptop computers; spectacle lenses; rulers [measuring instruments]; carpenters' rules; optical lanterns; optical lamps; counters; revolution counters; distance recording apparatus; mileage recorders for vehicles/kilometer recorders for vehicles; slide-rules; sounding lines; magnifying glasses [optics]; magnets; decorative magnets; magnetic encoders; magnetic data media; magnetic wires; magnetic tapes; videotapes; crash test dummies; pressure gauges; solderers' helmets; mathematical instruments; materials for electricity mains [wires, cables]; weighing machines; money counting and sorting machines; material testing instruments and machines; furniture especially made for laboratories; megaphones; portable media players; metal detectors for industrial or military use; meteorological instruments; meteorological balloons; rules [measuring instruments]; dressmakers' measures; metronomes; mechanisms for counter-operated apparatus; mechanisms for coin-operated apparatus; coin-operated mechanisms for television sets; mouse [computer peripheral]; insulated copper wire; micrometers; micrometer screws for optical instruments; microprocessors; microscopes; microtomes; microphones; audio mixers; measuring spoons; mobile telephones; portable telephones; modems; monitors [computer hardware]; monitors [computer programs]; devices for editing cinematographic films; nautical apparatus and instruments; marine depth finders; naval signaling apparatus; coin-operated musical automata [juke boxes]; animated cartoons; junction sleeves for electric cables; navigational instruments; navigation apparatus for vehicles [on-board computers]; teaching apparatus; headphones; knee-pads for workers; covers for electric outlets; semiconductors; neon signs; identification threads for electric wires; thread counters; surveyors'

levels; leveling instruments; verniers; nose clips for divers and swimmers; notebook computers; objectives [lenses] [optics]; lenses for astrophotography; close-up lenses; limiters [electricity]; sheaths for electric cables; identification sheaths for electric wires; egg-candlers; clothing for protection against accidents, irradiation and fire; special clothing for laboratories; ozonizers [ozonators]; octants; spectacles [optics]; sunglasses; eyepieces; ohmmeters; eyeglass frames; optical glass; eyewear; optical fibers [light conducting filaments]; optical disks; optical readers; optical condensers; optical lenses; optical data media; optical apparatus and instruments; sights for artillery guns; oscillographs; cleaning apparatus for sound recording discs; selfie sticks [hand-held monopods]; parking meters; safety restraints other than for vehicle seats or sports equipment; pince-nez; stills for laboratory experiments; intercommunication apparatus; speaking tubes; transmitters of electronic signals; oxygen trans-vasing apparatus; switchboxes [electricity]; switchboards; electric switches; automatic time switches; electric converters; periscopes; personal stereos; punched card machines for offices; furnaces for laboratory use; amplifying lamps; amplifiers; wrist rests for use with computers; pyrometers; planimeters; plane tables [surveying instruments]; tablet computers; plates for batteries; boards for integrated circuits; printed circuit boards; DVD players; cassette players; compact disc players; exposed films; X-Y plotters; fire escapes; fire engines; fire pumps; fire blankets; fire beaters; fire alarms; fire boats; fire hoses; electric loss indicators; quantity indicators; petrol gauges; gasoline gauges; water level indicators; sprinkler systems for fire protection; polarimeters; vehicle breakdown warning triangles; letter scales; precision balances; prisms [optics]; downloadable computer software applications; air analysis apparatus; food analysis apparatus; distance measuring apparatus; appliances for measuring the thickness of leather; apparatus for measuring the thickness of skins; speed checking apparatus for vehicles; time recording apparatus; weighing apparatus and instruments; particle accelerators; hemline markers; railway traffic safety appliances; speed measuring apparatus [photography]; invoicing machines; video recorders; fire-extinguishing apparatus; tape recorders; apparatus for changing record player needles; film cutting apparatus; electronic book readers; test tubes; flashing lights [light signals]; electric conductors; electric wires; ducts [electricity]; record players; projection apparatus; projection screens; washing trays [photography]; anti-interference devices [electricity]; electric installations for theft prevention; anti-theft warning apparatus; processors [central processing units]; rods for water diviners; plumb lines; control panels [electricity]; radar apparatus; radiological apparatus for industrial use; radiology screens for industrial use; baby monitors (audio and video devices for monitoring babies); radio pagers; transmitting sets [telecommunication]; radios; vehicle radios; walkie-

talkies; radiotelegraphy sets; radiotelephony sets; masts for wireless aerials; frames for photographic transparencies; screens for photoengraving; abacuses; calculating machines; voting machines; resuscitation mannequins [teaching apparatus]; electric regulating apparatus; voltage regulators for vehicles; electric light regulators [dimmers]; stage lighting regulators; speed regulators for record players; cell switches [electricity]; electric resistances; marking gauges [joinery]; T-squares for measuring; electric relays; cell phone straps; X-ray apparatus not for medical use; exposed x-ray films; X-ray tubes not for medical use; X-ray photographs, other than for medical use; rheostats; respirators for filtering air; respiratory masks other than for artificial respiration; retorts; refractometers; refractors; grids for batteries; downloadable ringtones for mobile telephones; levels [instruments for determining the horizontal]; screw-tapping gauges; humanoid robots with artificial intelligence for scientific research purposes; electric plugs; demagnetizing apparatus for magnetic tapes; distribution boxes [electricity]; distribution consoles [electricity]; distribution boards [electricity]; lightning conductors; slide calipers; mercury levels; circuit closers; diving gloves; gloves for protection against X-rays for industrial use; gloves for protection against accidents; horns for loudspeakers; life-saving apparatus and equipment; safety tarpaulins; life buoys; life jackets; life-saving capsules for natural disasters; life-saving rafts; life belts; subwoofers; whistle alarms; reflective articles for wear for the prevention of accidents; reflective safety vests; photographic lens hoods; blueprint apparatus; light-emitting diodes [LED]; light-emitting electronic pointers; traffic-light apparatus [signaling devices]; sextants; non-explosive fog signals; luminous or mechanical signals; signaling buoys; signal bells; electric alarm bells; signal lanterns; signaling panels, luminous or mechanical; alarms; signaling whistles; simulators for the steering or control of vehicles; sirens; safety nets; nets for protection against accidents; scanners [explorers] [data processing equipment]; smart watches; smart rings; smart glasses; smartphones; salinometers; solenoid valves [electromagnetic switches]; sonars; solar batteries; solar panels for electricity production; spectrograph apparatus; spectrocopes; spirit levels; alcohol meters; speed indicators; monitoring apparatus other than for medical use; observation instruments; shutter releases [photography]; stereoscopes; stereoscopic apparatus; head cleaning tapes; stroboscopes; sulfimeters; bags adapted for laptops; satellites for scientific use; satellite navigation apparatus; drying apparatus for photographic prints; drying racks [photography]; spherometers; printed circuits; time clocks [time recording devices]; egg timers [sandglasses]; taximeters; tachometers; television apparatus; telegraphs [apparatus]; telegraph wires; telescopes; teleprompters; teleprinters; telephone apparatus; telephone transmitters; telephone wires; telephone receivers; temperature indicators; labels in-

dicating temperature, other than for medical purposes; theodolites; thermal imaging cameras; heat regulating apparatus; thermo-hygrometers; thermionic tubes; thermionic valves; thermometers, not for medical use; thermostats; thermostats for vehicles; crucibles [laboratory]; pressure measuring apparatus; pressure indicator plugs for valves; security tokens [encryption devices]; tone arms for record players; empty toner cartridges for printers and photocopiers; totalizers; precision measuring apparatus; transistors [electronic]; transmitters [telecommunication]; transponders; protractors [measuring instruments]; transformers [electricity]; step-up transformers; holders for electric coils; tripods for cameras; triodes; Pitot tubes; urinometers; downloadable image files; downloadable music files; facsimile machines; apparatus and instruments for physics; filters for photography; filters for respiratory masks; filters for ultraviolet rays for photography; wearable activity trackers; USB flash drives; fluorescent screens; cameras [photography]; glazing apparatus for photographic prints; drainers for use in photography; photovoltaic cells; shutters [photography]; enlarging apparatus [photography]; photocopiers; darkrooms [photography]; photometers; flashlights [photography]; phototelegraphy apparatus; spectacle cases; cases for smartphones; containers for microscope slides; cases especially made for photographic apparatus and instruments; wavemeters; chemistry apparatus and instruments; chromatography apparatus for laboratory use; chronographs [time recording apparatus]; laboratory centrifuges; centering apparatus for photographic transparencies; cyclotrons; graduated compasses; digital weather stations; digital signs; digital photo frames; saccharometers; magic lanterns; frequency meters; Petri dishes; chips [integrated circuits]; square rulers for measuring; sleeves for laptops; covers for personal digital assistants [PDAs]; covers for tablet computers; hard covers for smartphones; jigs [measuring instruments]; spectacle cords; riding helmets; retorts' stands; stands for photographic apparatus; sound locating instruments; workmen's protective face-shields; armatures [electricity].

11 – Apparatus and installations for lighting, heating, cooling, steam generating, cooking, drying, ventilating, water supply and sanitary purposes; lamp shades; electric autoclaves for cooking; electric pressure cookers; aquarium lights; aquarium heaters; aquarium filtration apparatus; steam accumulators; heat accumulators; anti-glare devices for vehicles [lamp fittings]; defrosters for vehicles; hot air apparatus; air deodorizing apparatus; loading apparatus for furnaces; apparatus for dehydrating food waste; ionization apparatus for the treatment of air or water; beverage-cooling apparatus; air cooling devices; gas scrubbing apparatus; oil-scrubbing apparatus; desiccating apparatus; tanning beds; coffee roasters; drying apparatus for fodder and forage; hand-drying apparatus for washrooms; water filtering apparatus; steam facial apparatus [sau-

nas]; air purification apparatus and machines; water softening apparatus and installations; lighting apparatus and installations; hydromassage bath apparatus; acetylene generators; acetylene flares; acetylene burners; germicidal lamps for purifying air; barbecues; oil burners; bidets; laundry room boilers; washing copers; bathtubs; spa baths; electric waffle irons; bicycle lights; fans [air-conditioning]; fans [parts of air-conditioning installations]; electric fans for personal use; ventilation [air-conditioning] installations for vehicles; ventilation [air-conditioning] installations and apparatus; safety lamps; kilns; evaporators; extractor hoods for kitchens; ventilation hoods; ventilation hoods for laboratories; fabric steamers; pressurized water tanks; whirlpool-jet apparatus; water conduits installations; water intake apparatus; water heaters; water purification installations; water purifying apparatus and machines; water supply installations; water flushing installations; flushing tanks; carbon for arc lamps; gas condensers other than parts of machines; gas boilers; gas burners; gas lamps; gas scrubbers [parts of gas installations]; electric discharge tubes for lighting; hydrants; fairy lights for festive decoration; hearths; rotisseries; hot water bottles; warming pans; foot warmers, electric or non-electric; bed warmers; disinfectant apparatus; disinfectant apparatus for medical use; deodorizing apparatus not for personal use; ornamental fountains; chimney flues; disinfectant apparatus for dispensing solutions into water pipes for sanitary installations; stills; distillation apparatus; distillation columns; arc lamps; showers; shower cubicles; electric appliances for making yogurt; electric lamps; electrically heated carpets; grills [cooking appliances]; malt roasters; roasters; roasting spits; flues for heating boilers; feeding apparatus for heating boilers; immersion heaters; gas lighters; safety accessories for water or gas apparatus and pipes; chimney blowers; humidifiers for central heating radiators; coils [parts of distilling, heating or cooling installations]; furnace ash boxes; drip irrigation emitters [irrigation fittings]; electric coffee machines; heating apparatus; lava rocks for use in barbecue grills; domestic fireplaces; hot air ovens; oxyhydrogen burners; Chinese lanterns; pocket warmers; level controlling valves in tanks; air valves for steam heating installations; electric blankets, not for medical use; furnace grates; air-conditioning apparatus; air conditioners for vehicles; taps for pipes and pipelines; taps; mixer taps for water pipes; radiator caps; portable forges; electric cooking utensils; cooking apparatus and installations; cooking rings; kitchen ranges [ovens]; cookers (cooking stoves); laboratory lamps; laboratory burners; lamps for lighting; curling lamps; light bulbs for directional signals for vehicles; lamp glasses; lamp chimneys; electric lights for Christmas trees; street lamps; standard lamps; lights for automobiles; lanterns for lighting; lights for vehicles; electric flashlights; luminous tubes for lighting; chandeliers; magnesium filaments for lighting; oil lamps; ice-cube machines and apparatus;



microwave ovens [cooking apparatus]; microwave ovens for industrial use; freezers; motorcycle lights; multi-cookers; foot muffs, electrically heated; heating apparatus for defrosting windows of vehicles; heating elements; hot plates; heaters for baths; heaters for heating irons; electric heaters for feeding bottles; air reheaters; brackets for gas burners; electric heating filaments; filaments for electric lamps; roasting jacks; heating plates; stoves [heating apparatus]; fumigation apparatus not for medical use; bath fittings; hot air bath fittings; hot water heating installations; heating installations; heaters for vehicles; electric heating apparatus; heating apparatus for solid, liquid or gaseous fuels; heating boilers; kiln furniture [supports]; lighting installations for air vehicles; light-emitting diode [LED] lighting apparatus; dehumidifiers; coolers for furnaces; electric cool boxes; purification installations for sewage; burners; germicidal burners; burners for lamps; electric food steamers; boilers other than parts of machines; steam boilers, other than parts of machines; pasteurizers; sockets for electric lamps; portable Turkish bath cabinets; electric coffee percolators; dental ovens; ovens, other than for laboratory use; diving lights; plate warmers; urinals; lamp globes; electric heating cushions, not for medical use; automatic watering installations; watering machines for agricultural purposes; polymerization installations; electric tortilla presses; heated display cabinets; electric chocolate fountains; book sterilization apparatus; glue-heating appliances; searchlights; washers for water taps; anti-splash tap nozzles; radiators [heating]; electric radiators; central heating radiators; sinks; refining towers for distillation; heat regenerators; regulating and safety accessories for water apparatus; regulating and safety accessories for gas pipes; regulating accessories for water or gas apparatus and pipes; regulating and safety accessories for gas apparatus; dampers [heating]; lamp reflectors; vehicle reflectors; refrigerators; incandescent burners; expansion tanks for central heating installations; sanitary apparatus and installations; luminous house numbers; lighting apparatus for vehicles; light bulbs; electric light bulbs; light diffusers; toilet seats; bathtubs for sitz baths; incinerators; solar furnaces; solar thermal collectors [heating]; alcohol burners; ceiling lights; sterilizers; water sterilizers; air sterilizers; clean chambers [sanitary installations]; structural plates for ovens; structural framework for ovens; tobacco roasters; fruit roasters; electric laundry dryers; driers [apparatus]; drying apparatus and installations; heat guns; heat exchangers other than parts of machines; thermostatic valves [parts of heating installations]; bread toasters; lampshade holders; pipes [parts of sanitary installations]; boiler pipes [tubes] for heating installations; toilets [WC]; portable toilets; ultraviolet ray lamps not for medical use; wash-hand basins [parts of sanitary installations]; toilet bowls; automatic ash conveyor installations; bath installations; steam generating installations; desalination plants; air conditioning installations; installations

for processing nuclear fuel and nuclear moderating material; water cooling installations; milk cooling installations; water distribution installations; sauna bath installations; air filtering installations; swimming pool chlorinating apparatus; flaming torches; flare stacks for use in the oil industry; headlights for automobiles; vehicle headlights; fittings, shaped, for ovens; hair dryers; air filters for air conditioning; filters for drinking water; fountains; friction lighters for igniting gas; electric deep fryers; oven fittings made of fire clay; bread baking machines; bread-making machines; cooling installations for liquids; cooling installations for tobacco; cooling installations and machines; refrigerating apparatus and machines; refrigerating containers; refrigerating chambers; refrigerating display cabinets; refrigerating apparatus and installations; refrigerating cabinets; chromatography apparatus for industrial use; lamp mantles; electric kettles; electric wine cellars; miners' lamps; electrically heated socks; nuclear reactors; bakers' ovens; walk-in refrigerators; lamp casings.

18 – Mountaineering sticks and alpenstocks; Whips; address tags for luggage; gold beaters' skin; suitcases [carrying cases]; trunks [luggage]; curried skins; reins for controlling children; business card cases; compacting modules designed for luggage; boxes of vulcanized fiber; key cases; bits for animals [harness]; bridles [harness]; purses and coin purses; chain mesh purses; reusable shopping bags; parts of rubber for stirrups; traveling trunks; traveling bags; leather labels; chamois leather, other than for cleaning purposes; fastenings for saddles; cat o' nine tails; handbag frames; frames for umbrellas or parasols; attaché cases; wallets; umbrella rings; valves of leather; casings, of leather, for springs; boxes of leather or leatherboard; hat boxes of leather; butts [parts of hides]; kid; saddle trees; saddlery; slings for carrying infants; furniture coverings of leather; haversacks; moleskin [imitation leather]; travel sets [leatherware]; knee-pads for horses; reins; muzzles; collars for animals; halters; vanity cases; leather thread; music cases; harness fittings; clothing for pets; trimmings of leather for furniture; umbrellas; parasols; leather straps; straps for soldiers' equipment; straps for skates; chin straps, of leather; straps of leather [saddlery]; shoulder belts [straps] of leather; horseshoes; pads for horse saddles; beach bags; leashes; covers for horse saddles; covers [clothing] for animals; horse blankets; girths of leather; briefcases [leather goods] and document holders; conference folders; traces [harness]; randsels [Japanese school satchels]; stirrup leathers; umbrella handles; handles for carrying shopping bags; suitcase handles; walking-stick handles; rucksacks [backpacks]; saddlebags; riding saddles; net bags for shopping; cases of leather or leatherboard; umbrella or parasol ribs; sports bags; stirrups; bags [envelopes, pouches] of leather for packaging; bags for climbers; empty tool bags; sling bag for carrying babies; garment bags for travel; wheeled shopping bags; handbags; bags for

campers; bags; pouch baby carriers; nose bags [feed bags]; bridoons; umbrella sticks; hiking sticks and trekking sticks; walking sticks; walking-stick seats; tefillin [phylacteries]; harnesses for animals; harness straps; card cases [wallets]; credit card cases [wallets]; horse collars; fur and fur-skins; saddlecloths for horses; suitcases; motorized suitcases; wheeled suitcases; umbrella covers; school bags; imitation leather; unworked or semi-worked leather; leatherboard; animal skins and hides; cattle skins; leather laces; blinders [harness]; game bags.

21 – Household or kitchen utensils and containers; cooking utensils and tableware, except forks, knives and spoons; combs and sponges; brushes, except paintbrushes; cleaning material; unworked or semi-worked glass, except building glass; glassware, porcelain and earthenware; abrasive pads for kitchen purposes; non-electric pressure cookers (autoclaves); non-electric pressure cookers (autoclaves); wine aerators; aerosol dispensers for household or kitchen use, not for medical use; indoor aquariums; perfume burners; cotton waste for cleaning; cookie jars; labels for decanters; saucers; demijohns; vases; fruit cups; bird baths; portable baby baths; non-electric waffle irons; epergnes (table centerpieces); carpet beaters [hand instruments]; signboards of porcelain or glass; cookie cutters [kitchenware]; tankards; polishing leather; ice buckets; ice buckets; buckets; tubs; buckets for wringing out mops; buckets made of woven fabrics; brooms; non-electric whisks for household use; towel rails and rings; containers for household or kitchen use; tea caddies; lunch boxes; wool waste for cleaning; water apparatus for cleaning teeth and gums; hair for brushes; furniture dusters; dusting cloths [rags]; cloth for washing floors; polishing cloths; rags [cloths] for cleaning; candle extinguishers; button hooks; cold packs for cooling food and beverages; pitchers; jugs; earthenware; feeding troughs; heads for electric toothbrushes; pottery; pots; decanters; large-toothed combs for the hair; combs for animals; electric combs; combs; make-up sponges; household sponges; deodorizing apparatus for personal use; dripping pans; broom handles; abrasive sponges for scrubbing the skin; smoke absorbers for household use; soap dispensers; boxes for dispensing paper towels; toilet paper dispensers; cutting boards for the kitchen; bread boards; ornaments of porcelain; non-electric kitchen mills; electric devices for attracting and killing insects; plug-in mosquito repellent diffusers; enameled glass, other than that used in construction; scrubbing brushes; chamois leather for cleaning; buckskin for cleaning; closures for pot lids; non-electric beaters; non-electric blenders for household use; toothbrushes; electric toothbrushes; toothpicks; isothermal bags; non-electric coffeepots; manual coffee grinders; non-electric coffee percolators; coffee services; cauldrons; mess-tins; candelabra [candlesticks]; candle holders (candlesticks); stew-pans; earthenware saucepans; rolling pins; flower-pot covers, not of pa-

per; flower pots; ceramic products for household purposes; pastry baking mats; napkin rings; horsehair for brush-making; glue-pots; birdcages; cages for household pets; cleaning tow; shoe trees; boot trees; boxes of glass; cosmetic utensils; spatulas for cosmetic use; waste paper baskets; bread baskets for household use; fitted picnic baskets, including dishes; baskets for household use; droppers for watering flowers and plants; syringes for watering flowers and plants; crystal [glassware]; reusable ice cubes; bulb basters; mugs; non-electric cooking utensils; non-electric cooking pots; cooking skewers, of metal; cookery molds; kitchen utensils; kitchen gloves; barbecue gloves; plate glass [raw material]; funnels; shoe horns; ice cream scoops; spoons for basting meat [cooking utensils]; kitchen spatulas; pie servers; crumb trays; majolica; butter dishes; brush-making materials; electric or non-electric lint removers; steel wool for cleaning; carpet sweepers; soap boxes; soap holders; bowls; mouse traps; confectioners' decorating bags; hand-operated mills for household use; manual pepper mills; mosaics of glass, not for building; saucepan scourers of metal; fly swatters; fly traps; liqueur sets; spice sets; cooking pot sets; non-electric feeding bottle warmers; pot lids; butter-dish covers; dish covers; cheese-dish covers; aquarium hoods; drinking troughs; nozzles for watering cans; nozzles for sprinkler hoses; knife rests for the table; place mats, not of paper or textile; utensils for household use; toilet cases; dental floss; chamber pots; spouts; washtubs; disposable table plates; opaline glass; opal glass; portable non-electric refrigerating containers; chopsticks; cocktail stirrers; paper plates; non-electric steamers; insect traps; rat traps; kitchen brushes; make-up brushes; mixing spoons [kitchen utensils]; pepper pots; beer mugs; non-electric dusting apparatus; nest eggs, artificial; cabarets [serving trays]; trays for household use; lazy susans [kitchenware]; paper trays for household use; trivets [table utensils]; holders for plants [flower arrangements]; decanter coasters, neither of paper nor of textile materials; shaving brush holders; flat-iron stands; grill supports; egg cups; place mats, neither made of paper nor of textile materials; feather dusters; plates to prevent milk boiling over; cruets; bottles; drinking bottles; busts of porcelain, ceramic, earthenware, terracotta or glass; non-electric kitchen grinders; scouring pads; rings for birds; poultry rings; watering cans; watering implements; non-electric polishing apparatus and machines for household use; polishing materials [for making shiny] excluding preparations, paper and stone; apparatus for wax-polishing [non-electric]; wax-polishing appliances, non-electric, for shoes; polishing gloves; shaving brushes; porcelain ware; dishes; vegetable dishes; refrigerating bottles; drinking vessels; glass jars [carboys]; non-electric ice cream makers; washing boards; ironing boards; tie presses; tortilla presses, non-electric [kitchen utensils]; non-electric fruit presses for household use; trouser presses; cruet sets for oil and vinegar; make-

up removing apparatus; bottle openers, electric and non-electric; boot jacks; glove stretchers; mop wringers; clothing stretchers; pot holders (oven gloves); clothes pegs; plungers for clearing blocked drains; stoppers of glass; glass caps; cinder sifters [household utensils]; empty powder compacts; perfume sprayers; powder puffs; sifters [household utensils]; pastry cutters [baker's knives]; drinking horns; sprinklers; foam toe separators for use in pedicures; fused silica [semi-worked product], other than for building; household gloves; gloves for washing cars; noodle-making apparatus [hand implements]; gardening gloves; salad bowls; piggy banks; candle jars [holders]; candle rings; non-electric egg separators for household use; services [dishes]; serving ladles; sieves [household utensils]; siphon bottles for carbonated water; salt cellars; coin banks (piggy banks); glass for vehicle windows [semi-finished product]; glass incorporating fine electrical conductors; unworked or semi-worked glass, except building glass; glass wool other than for insulation; vitreous silica fibers not for textile use; fiberglass other than for insulation or textile use; fiberglass threads, other than for textile use; painted glass; powdered glass for decoration; glass vials [containers]; glass flasks [containers]; glasses [receptacles]; drinking glasses; frying pans; grills [cooking utensils]; camping grills [cooking utensils]; curry-combs; non-electric deep fryers; scoops for household use; drinking straws; straws for drinking; statues of porcelain, ceramic, earthenware, terracotta or glass; tableware; table plates; kitchen mortars; soup bowls; drying racks for laundry; basins [receptacles]; art objects made of porcelain, ceramic, earthenware, terracotta or glass; indoor terrariums [vivariums]; indoor terrariums [plant cultivation]; heat-insulated containers; heat-insulated containers for beverages; thermally insulated containers for food; insulating flasks; non-electrically heated hot pots; kitchen graters; kitchen pestles; sponge holders; toothpick holders; toilet paper holders; menu card holders; table napkin holders; toilet sponges; litter boxes (trays) for pets; toilet brushes; tea cosies; urns for household or kitchen use; figurines of porcelain, ceramic, earthenware, terracotta or glass; non-electric coffee filters; flasks; pocket flasks; molds [kitchen utensils]; cake molds; ice molds; comb cases; bread bins; strainers for household use; candy boxes; sugar bowls; garlic presses [kitchen utensils]; teapots; non-electric kettles; tea services; tea infusers; tea strainers; cups; cups of paper or plastic; ladles for wine; hand-operated cleaning instruments; ironing board covers; mops; mixers for beverages [shakers]; corkscrews, electric and non-electric; pig bristles for brush-making; animal bristles [brushware]; ice-cube tongs; nutcrackers; salad tongs; sugar tongs; shoe brushes; horse brushes; lamp-glass brushes; long handled tar-brushes; dishwashing brushes; waxing brushes; brushes for cleaning tanks and containers; electric brushes, except parts of machines; brushes; brush goods; eyebrow brushes; eyelash bru-

shes; nail brushes; window-boxes; mangers for animals; dustbins; garbage cans; refuse bins for household use; trash cans.

(260) AM 2024 123109 A

(800) 1732168

(151) 2022 12 16

(891) 2022 12 16

(731) Birkamidon Rohstoffhandels GmbH

Wilhelmsaue 12a, 10715 Berlin, Germany

(540)



(591) Green

(531) 26.11.03; 26.11.06; 26.11.11; 27.05.01;

29.01.03

(511)

1 – Protein in raw material form; protein as a raw material for the animal feed industry; proteins for the food industry; proteins for use in the manufacture of food products; vegetable proteins for the food industry; vegetable protein for use as a food additive; pea protein; rice protein; starch for industrial purposes; modified starch for industrial purposes; vital wheat gluten, wheat starch and wheat fibers for industrial purposes, in particular for the food industry; modified starch for industrial purposes, in particular for the food industry for further commercial use; native starch for industrial purposes, in particular for the food industry for further commercial use; vegetable fibres for the food industry; potato flakes for industrial purposes; gluten for the food industry; corn gluten as a raw material for the animal feed industry; milk proteins.

5 – Additives for animal feed, namely, feed supplements; animal feed supplements, namely, potato protein; animal feed supplements, namely, corn gluten.

29 – Dairy products and dairy substitutes, as an ingredient and/or semi-finished product for foodstuffs and beverages, provided they are not included in other classes; additives and auxiliary substances for food production, namely, animal and vegetable proteins, as well as their derivatives; powdered milk; powdered whole milk for food; powdered skimmed milk; powdered sweet whey; powdered instant milk; powdered whey; dehydrated potato products; potato flakes; potato granulate; potato fibres for food; pea fibres for food.

30 – Starch for food; native starch for food; modified starch for human consumption, not for medical purposes; native potato starch; native tapioca starch; native corn starch; native wheat starch; native rice starch; native pea starch; dehydrated starch from potatoes; dehydrated starch from corn; pregelatinised potato

starch; modified potato starch; modified tapioca starch; modified corn starch; modified wheat starch; wheat gluten; wheat fibers for human consumption.

(260) AM 2024 123111 A

(800) 1732242

(151) 2022 09 09

(891) 2022 09 09

(731) Sansure Biotech Inc.

No. 680, Lusong Road, Changsha High-tech Industrial Development Zone, Changsha, Hunan, China

(540)



(591) Black, white

(531) 24.13.25; 24.13.26; 24.17.05; 26.11.13

(511)

5 – Injectable pharmaceuticals for treatment of anaphylactic reactions; compounds for consumption and/or injection for use in medical imaging and for diagnostic purposes; vaccines; antibiotic tablets; allergy tablets; mineral, vitamin, or nutritionally enhanced water for medical purposes; medicated water for the treatment of illnesses attributed to insufficient cellular energy; medicated water for the treatment of allergies, cough, cold, flu, headache, pain; medicated water for the treatment of infectious diseases, skin diseases and conditions, and internal diseases and conditions; medicated water for the treatment of pain, nausea and muscle spasms; medicated water-based solutions for treating skin infections and skin conditions; medicated water for the treatment of gastrointestinal disorders; demineralised water for medical purposes; antibiotic ointments; anti-inflammatory ointments; medicated ointments for treating dermatological conditions; ointments for pharmaceutical purposes; Chinese medicine nostrum in the nature of natural remedy preparation; chemical preparations for pharmaceutical purposes; chemical preparations for medical purposes; diagnostic kits for medical diagnostic purposes comprising reagents for use in disease testing, health monitoring and more generally, predictive and preventive medicine in the fields of detecting immune system and respiratory system-related diseases, cancer, infectious diseases, inflammatory disorders and oncological disorders; purified biochemicals, namely, protein arrays, enzymes, and fluorescent dyes for use as reagents in medical diagnostic applications (term considered too vague by the International Bureau – rule 13 (2) (b) of the Regulations); biological preparations for pharmaceutical purposes for the treatment of disorders of the nervous system, the immune system, the cardio-vas-

cular system, the metabolic system, the respiratory system, the musculo-skeletal system, the genitourinary system, inflammatory disorders, dermatology, oncology, hematology, tissue and organ transplantation, ophthalmology and gastroenterological disorders; biochemical drugs for the treatment of disorders of the nervous system, the immune system, the cardio-vascular system, the metabolic system, the respiratory system, the musculo-skeletal system, the genitourinary system, inflammatory disorders, dermatology, oncology, hematology, tissue and organ transplantation, ophthalmology and gastroenterological disorders; diagnostic preparations for medical purposes; chemico-pharmaceutical preparations; chemical reagents for medical or veterinary purposes; reagents for medical use; medical reagents for genetic testing; medical diagnostic reagents; enzyme preparations for medical purposes; diagnostic biomarker reagents for medical purposes; reagent paper for medical purposes; diagnostic preparations for veterinary purposes; chemical preparations for the diagnosis of pregnancy; preparations for detecting genetic predispositions for medical purposes; immunoassay reagents for medical use; biological preparations for medical purposes; genetic identity tests comprised of reagents for medical purposes; preparations for detecting mutation in prion genes for medical purposes; cultures of microorganisms for medical or veterinary use.

10 – Gloves for medical purposes; probes for medical purposes; sanitary masks; surgical apparatus and instruments; medical apparatus and instruments; X-ray apparatus for medical purposes; lasers for medical purposes; radiotherapy apparatus; physiotherapy apparatus; orthopaedic articles; apparatus for use in medical analysis; diagnostic apparatus for medical purposes; analysers for bacterial identification for medical purposes; apparatus for DNA and RNA testing for medical purposes; blood testing apparatus.

(260) AM 2024 123127 A

(800) 1732391

(151) 2022 12 15

(891) 2022 12 15

(731) ERC DISTRIBUTION AG

Poststrasse 14, CH-6302 Zug, Switzerland

(540)

(591) Black, white

(531) 15.09.11; 27.01.06; 27.03.15; 27.05.01;

27.05.08; 27.05.17

(511)

7 – 3D printers; automatic grapnels for marine purposes; air brushes for applying color; aerocondensers; glaziers' diamonds [parts of machines]; anti-friction bearings for machines; anti-friction pads for machines; apparatus for aerating water; apparatus for aerating beverages; elevator control devices; acetylene

cleaning apparatus; apparatus for drawing up beer under pressure; machine drums; concrete mixers [machines]; pulleys; reels for machines; bobbins for weaving looms; harrows; flour mill machines; journal boxes [parts of machines]; bulldozers; hoppers for mechanical discharging; floating or non-floating drilling rigs; vacuum pumps [machines]; loom shafts; rolling mill cylinders; extractors for mines; ore extraction devices; loading ramps; fans for motors and engines; machine tools; die-cutting and tapping machines; threading machines; electric screwdrivers; exhaust manifolds for engines; exhausts for motors and engines; vibrators [machines] for industrial use; wringing machines for laundry; clack valves [parts of machines]; centrifugal mills; centrifugal pumps; electric whisks for household use; winnowers; water heaters being parts of machines; metal drawing machines; friezing machines; notchers [machine tools]; coal-cutting machines; suction machines for industrial use; suction nozzles for vacuum cleaners; carbon brushes [electricity]; vulcanization apparatus; knitting machines; lawnmowers [machines]; brake shoes other than for vehicles; brake pads other than for vehicles; brake linings other than for vehicles; brake segments other than for vehicles; emergency power generators; alternators; dynamos; bicycle dynamos; current generators; hydraulic engines and motors; hydraulic turbines; torque converters other than for land vehicles; mine borers; mineworking machines; mufflers for motors and engines; cylinder heads for engines; card clothing [parts of carding machines]; potters' wheels; machines for sharpening; rakes for raking machines; engraving machines; stalk separators [machines]; mud catchers and collectors [machines]; tarring machines; rubber tracks being parts of crawlers on construction machines; rubber tracks being parts of crawlers on mining machines; rubber tracks being parts of crawlers on loading-unloading machines and apparatus; rubber tracks being parts of crawlers on agricultural machines; rubber tracks being parts of crawlers on snowplows; airplane engines; aeronautical engines; engines for boats; engines for air cushion vehicles; compressed air engines; motors and engines other than for land vehicles; de-aerators for feedwater; disintegrators; tympan [parts of printing presses]; woodworking machines; derricks; joysticks being parts of machines, other than for game machines; adhesive tape dispensers [machines]; dividing machines; mortizing machines; milking machines; chisels for machines; jacks [machines]; pneumatic jacks; self-propelled road sweeping machines; rood making machines; drainage machines; electric hand drills; electric kitchen grinders; typographic machines; typographic presses; printing plates; printing rollers for machines; printing presses; printing machines; printing cylinders; ejectors; fuel economizers for motors and engines; excavators; electrical apparatus for sealing plastics [packaging]; electric welding apparatus; electric hammers; electricity generators; electric motors other than for

land vehicles; electrodes for welding machines; electric arc welding apparatus; electric arc cutting apparatus; electromechanical machines for the chemical industry; moving staircases [escalators]; labelers; flues for engine boilers; feeders [parts of machines]; feeding apparatus for engine boilers; reapers; reapers and binders; millstones; handling apparatus [for loading and unloading]; railroad constructing machines; igniting devices for internal combustion engines; chucks [parts of machines]; scale collectors for machine boilers; gas-operated soldering apparatus; gas-operated welding apparatus; electric welding machines; bending machines; raking machines; grain separators; reapers and threshers; joints [parts of engines]; shaft couplings [machines]; mixing machines; mixers; electric blenders for household use; machine wheelwork; couplings other than for land vehicles; stitching machines; injectors for engines; incubators for eggs; electric ski edge sharpening tools; control cables for machines, engines or motors; capstans; coffee grinders, other than hand operated; calenders [machines]; size adjustment cutting machines for industrial use; stone-working machines; ditchers [plows]; guards [parts of machines]; carburetors; carburetor feeders; sliders for knitting machines; crankcases for machines, motors and engines; catalytic converters; hydraulic controls for machines, motors and engines; pneumatic controls for machines, motors and engines; piston segments; valves [parts of machines]; electric glue guns; riveting machines; machine wheels; crank shafts; compressors [machines]; compressors for refrigerators; conveyors [machines]; converters for steelworks; steam condensers [parts of machines]; condensing installations; diggers [machines]; rams [machines]; cranks [parts of machines]; boxes for matrices [printing]; gearboxes other than for land vehicles; housings (parts of machines); steam engine boilers; mechanical reels for flexible hoses; basket presses; cranes [lifting and hoisting apparatus]; taps [parts of machines, engines or motors]; hangers [parts of machines]; tilt hammers; ball rings for bearings; cultivators [machines]; electric food processors; electric kitchen machines; gas-operated blow torches; elevator chains [parts of machines]; chain saws; winches; blade sharpening [stropping] machines; blade holders [parts of machines]; foundry machines; molds [parts of machines]; elevators (lifts); mechanical shovels; blades [parts of machines]; igniting magnetos; automatic handling machines [manipulators]; churns; butter machines; grease rings [parts of machines]; grease boxes [parts of machines]; lubricating pumps; lubricators [parts of machines]; matrices for use in printing; machine fly-wheels; coating machines; whitewashing machines; sausage making machines; cord making machines; lace making machines; stereotype machines; bitumen making machines; pasta making machines; apparatus for the mineralization of drinking water; sugar making machines; electroplating machines; swaging machines; electromechanical food prepara-

tion machines; electromechanical apparatus for beverage preparation; printing machines for use on sheet metal; dyeing machines; bottle capping machines; bottle stoppering machines; sealing machines for industrial use; bottle sealing machines; bicycle assembling machines; harvesting machines; earth-moving machines; leather paring machines; finishing machines; grain husking machines; bottle washing machines; type-setting machines [printing]; filling machines; racket stringing machines; leather-working machines; machines for transformation of plastic materials; ore treating machines; glass-working machines; tobacco processing machines; peeling machines; papermaking machines; dairy machines; oil refining machines; brewing machines; hemming machines; crushing machines; grinding machines; shearing machines for animals; machines for the textile industry; embossing machines; waste compacting machines; electric machines and apparatus for carpet shampooing; electric machines and apparatus for polishing; electric machines and apparatus for wax-polishing; electric machines and apparatus for cleaning; pump diaphragms; metalworking machines; control devices for machines, engines or motors; mechanized livestock feeders; power hammers; high-pressure washers; washing installations for vehicles; washing apparatus; fleshing machines; bellows [parts of machines]; forge blowers; agitators; mills [machines]; pepper mills other than hand-operated; mills for household use other than hand-operated; threshing machines; hammers [parts of machines]; cream/milk separators; motor and engine mounts other than for land vehicles; roller bridges; motorized cultivators; motors for boats; freewheels other than for land vehicles; clutches other than for land vehicles; meat choppers [machines]; pressure valves [parts of machines]; superchargers; mechanical reeling apparatus; guides for machines; vacuum cleaner attachments for disseminating perfumes and disinfectants; pumps [machines]; pumps [parts of machines, engines or motors]; aerating pumps for aquariums; pumps for heating installations; beer pumps; electric shears; electric scissors; knives for mowing machines; chaff cutter blades; electric knives; electric can openers; kick starters for motorcycles; wrapping machines; rotary printing presses; fittings for engine boilers; braiding machines; axles for machines; dust removing installations for cleaning purposes; dust exhausting installations for cleaning purposes; fuel-dispensing pumps for service stations; portable rotary steam presses for fabrics; steamrollers; steam engines; steam/oil separators; superheaters; steam traps; fan belts for motors and engines; dynamo belts; belts for motors and engines; elevator belts; adhesive bands for pulleys; gas-operated soldering irons; electric soldering irons; electric soldering apparatus; gas-operated soldering blow pipes; soldering lamps; pedal drives for sewing machines; gears other than for land vehicles; fuel conversion apparatus for internal combustion engines; saws [machines]; saw blades [parts of machi-

nes]; vacuum cleaners; saw benches [parts of machines]; lifting apparatus; hoists; railway wagon lifts; elevating apparatus; lifts, other than ski-lifts; bearings [parts of machines]; bearings for transmission shafts; ball-bearings; roller bearings; bearing brackets for machines; guns [tools using explosive cartridges]; spray guns for paint; plows; turf removing plows; plowshares; compressed air machines; pneumatic hammers; compressed air pumps; compressed air guns for the extrusion of mastics; pneumatic transporters; pneumatic tube conveyors; air suction machines; blowing machines; blowing machines for the compression, sucking and carrying of grain; blowing machines for the compression, exhaustion and transport of gases; air condensers; air pumps [garage installations]; paper feeders [printing]; electric crushers for kitchen use; garbage crushers [waste] [machines]; weeding machines; pistons [parts of machines or engines]; shock absorber plungers [parts of machines]; pistons for engines; pistons for cylinders; dishwashers; trimming machines; laundry washing machines; coin-operated washing machines; ironing machines; smoothing presses; presses [machines for industrial use]; wine presses; fodder presses; electric fruit presses for household use; hydraulic devices for opening windows; electric devices for opening windows; pneumatic devices for opening windows; hydraulic devices for opening doors; electric devices for opening doors; pneumatic devices for opening doors; binding apparatus for hay; hydraulic devices for closing windows; electric devices for closing windows; pneumatic devices for closing windows; hydraulic devices for closing doors; electric door closers; pneumatic devices for closing doors; degreasers [machines]; anti-pollution devices for motors and engines; air cushion devices for moving loads; electric shoe polishers; electric parquet wax-polishers; cleaning appliances utilizing steam; electrically-operated curtain-drawing devices; bookbinding apparatus and machines for industrial use; punching machines; punches for punching machines; rolling mills; rinsing machines; sifting installations; sifting machines; springs [parts of machines]; spinning frames; spinning machines; spinning wheels; puddling machines; pulverizers [machines]; sewage pulverizers; tambours for embroidery machines; cooling radiators for motors and engines; jet engines other than for land vehicles; regulators [parts of machines]; speed governors for machines, engines and motors; pressure regulators [parts of machines]; reduction gears other than for land vehicles; pressure reducers [parts of machines]; rack and pinion jacks; railying machines; gears for weaving looms; gas-operated cutting blow pipes; cutters [machines]; tools [parts of machines]; cutting machines; knives being parts of machines; robots [machines]; filling machines; camshafts for vehicle engines; vending machines; expansion tanks [parts of machines]; moving walkways; hand-held tools, other than hand-operated; propulsion mechanisms other than for land vehicles; stu-

ffing boxes [parts of machines]; self-oiling bearings; self-regulating fuel pumps; satinizing machines; drilling machines; drilling heads [parts of machines]; drill chucks [parts of machines]; sparking plugs for internal combustion engines; glow plugs for Diesel engines; water separators; cigarette machines for industrial use; sieves [machines or parts of machines]; cinder sifters [machines]; sowers [machines]; agricultural implements other than hand-operated; agricultural elevators; agricultural machines; tedding machines; net hauling machines [fishing]; straw [chaff] cutters; pigs for cleaning pipes; snow plows; sheaf-binding machines; electric juice extractors; sorting machines for industry; suction cups for milking machines; stands for machines; starters for motors and engines; stators [parts of machines]; stands for machines; clippers [machines]; belts for conveyors; belt conveyors; planing machines; slide rests [parts of machines]; heat exchangers [parts of machines]; thermic lances [machines]; grating machines for vegetables; beating machines; electric beaters; kneading machines; looms [machines]; hosiery looms; lathes [machine tools]; vacuum cleaner bags; grindstones [parts of machines]; sharpening wheels [parts of machines]; rammers [machines]; transmissions for machines; transmission shafts other than for land vehicles; transmission chains other than for land vehicles; holding devices for machine tools; boiler tubes [parts of machines]; wind turbines; turbines other than for land vehicles; turbocompressors; driving motors other than for land vehicles; driving chains other than for land vehicles; universal joints [Cardan joints]; packaging machines; painting machines; aprons [parts of machines]; filters as parts of machines, motors or engines; filters for cleaning cooling air, for motors and engines; filters-cartridges for filtering machines; filter presses; filtering machines; molding machines; type-setting machines [photocomposition]; milling machines; bread cutting machines; journals (parts of machines); electric nail extractors; central vacuum cleaning installations; centrifugal machines; spin dryers [not heated]; cylinders for motors and engines; cylinders for machines; galvanizing machines; carding machines; shuttles [parts of machines]; inking apparatus for printing machines; connecting rods for machines, motors or engines; sewing machines; lasts for shoes [parts of machines]; pulleys [parts of machines]; vacuum cleaner hoses; trueing machines; shredders [machines] for industrial use; typecasting machines; die-stamping machines; stamping machines; darning machines; brushes [parts of machines]; dynamo brushes; brushes for vacuum cleaners; electrically operated brushes [parts of machines].

8 – Abrading instruments [hand instruments]; glaziers' diamonds [parts of hand tools]; hand-operated apparatus for destroying plant parasites; bayonets; electric or non-electric razors; razor strops; borers; pick hammers; levers; fulling tools [hand tools]; table forks; non-electric screwdrivers; forks for agricultural use

[hand tools]; tap wrenches; lawn clippers [hand instruments]; wrenches [hand tools]; harpoons; harpoons for fishing; tattoo needles; scythe stones; stropping instruments; sharpening stones; leather strops; edge tools [hand tools]; pincers; goffering irons; crimping irons; rakes [hand tools]; sand trap rakes; engraving needles; cutter bars [hand tools]; handles for hand-operated hand tools; children's table spoons, knives and forks; punch pliers [hand tools]; chisels; sculptors' chisels; mortise chisels; hand-operated jacks; extension pieces for braces for screw taps; sharpening instruments; spades; clamps for carpenters or cooper's; side arms, other than firearms; rabbeting planes; bits [hand tools]; electric or non-electric depilation apparatus; implements for decanting liquids [hand tools]; hand implements for hair curling; priming irons [hand tools]; gouges; numbering punches; oyster openers; hand-operated ski edge sharpening tools; ear-piercing apparatus; livestock marking tools; molding irons; stone hammers; embossers [hand tools]; punch rings [knuckle dusters]; instruments for punching tickets; ceramic knives; center punches [hand tools]; trunchions; daggers; picks [hand tools]; pickaxes; mallets [hand instruments]; annular screw plates; scythe rings; scythe handles; riveters [hand tools]; riveting hammers [hand tools]; blades [weapons]; pliers; wire strippers [hand tools]; breast drills; fireplace bellows [hand tools]; caulking irons; diggers [hand tools]; lasts [shoemakers' hand tools]; rams [hand tools]; scythes; hainault scythes; squares [hand tools]; fire irons; electric or non-electric nail clippers; blades [hand tools]; razor blades; blades for planes; shear blades; blade sharpening instruments; vices; bench vices [hand apparatus]; foundry ladles (hand tools); electric or non-electric fingernail polishers; spoons; crow bars; shovels [hand tools]; trowels [gardening]; spatulas for use by artists; ice picks; manicure sets; electric manicure sets; palette knives; machetes; hair dippers for personal use, electric and non-electric; swords; taps [hand tools]; sledgehammers; hammers [hand tools]; masons' hammers; mattocks [hand tools]; ditchers [hand tools]; trowels; fleshing knives [hand tools]; pedicure sets; needle files; emery grinding wheels; emery files; emery boards; files; dies [hand tools]; hand pumps; metal wire stretchers [hand tools]; metal band stretchers [hand tools]; shaving cases; cattle shearers; wick trimmers [scissors]; shears; shearers [hand instruments]; pruning shears; tree pruners; border shears; scissors; non-electric can openers; farriers' knives; scaling knives; non-electric pizza cutters; grafting tools; paring knives; hunting knives; cleavers; bill-hooks; penknives; knives; cutlery; nail drawers [hand tools]; hand-operated vegetable shredders; vegetable choppers; budding knives; reamer sockets; perforating tools [hand tools]; saws [hand tools]; jig-saws; bow saws; nail files; electric nail files; tweezers; hair-removing tweezers; guns [hand tools]; non-electric caulking guns; guns, for the extrusion of mastics; sword scabbards; table knives,

forks and spoons of plastic materials; fruit pickers; paring irons [hand tools]; hand-operated air pumps; weeding forks [hand tools]; polishing irons; saw blades [parts of tools]; tool belts [holders]; flat irons; irons [non-electric hand tools]; money scoops; fish tapes [hand tools]; apparatus for tattooing; punches [hand tools]; nail punches; pin punches; thistle extractors; frames for handsaws; rasps [hand tools]; cutting tools; tube cutting instruments; bits [parts of hand tools]; graving tools; cutters; syringes for spraying insecticides; reamers; insecticide sprayers [hand tools]; expanders [hand tools]; planes; plane irons; knife handles; saw holders; hand-operated hand drills; fullers [hand tools]; hand-operated hand tools; beard clippers; hair clippers for animals [hand instruments]; hand-operated garden tools; pruning knives; hoes [hand tools]; augers [tools]; hollowing bits (parts of hand tools); gimlets [hand tools]; drill holders [tools]; pruning scissors; sickles; choppers being knives; kitchen mandolines; hand-operated agricultural implements; non-electric cheese slicers; scrapers for skis; scraping tools; axes; holing axes; hatchets; hoop cutters; silver plate [knives, forks and spoons]; table cutlery [cutlery, forks and spoons]; drawing knives; mortars for pounding [hand tools]; miter boxes; branding irons; adzes [tools]; carpenters' augers; braiders [hand tools]; sharpening steels; grindstones [hand tools]; rammers [hand tools]; earth rammers [hand tools]; whetstone holders; ratchets [hand tools]; tube cutters [hand tools]; razor cases; hobby knives [scalpels]; hand-operated nail extractors; ladles [hand tools]; hachles [hand tools]; sabers; milling cutters [hand tools]; marline spikes; awls; instruments and tools for skinning animals; spatulas [hand tools]; stamping-out tools; curling tongs; cuticle tweezers; nail nippers; eyelash curlers; non-electric egg slicers.

9 – 3D spectacles; telephone answering machines; ticket dispensers; breakers (circuit breakers); automated teller machines [ATM]; steering devices, automatic, for vehicles; automatic indicators of low pressure in vehicle tires; aerometers; asbestos clothing for protection against fire; asbestos gloves for protection against accidents; asbestos screens for firemen; accelerometers; actinometers; batteries for electronic cigarettes; electric accumulators; acoustic couplers; alidades; altimeters; ammeters; anemometers; anodes; anode batteries; antennas; anti-glare glasses; anti-glare screens; anticathodes; remote control apparatus; data processing apparatus; apparatus to check franking; electric devices for remote ignition; apparatus and installations for the production of X-rays, not for medical use; Global Positioning System [GPS] apparatus; testing apparatus not for medical use; apertometers [optics]; acid hydrometers; acidimeters for batteries; apparatus and instruments for astronomy; receivers [audio, video]; audiovisual teaching apparatus; audio interfaces; luminous beacons; balancing devices; lighting ballasts; accumulator jars; barometers; ignition batteries; electric batteries; electric accumulators for vehi-

les; cordless telephones; balances [steelyards]; betatrons; binoculars; biochips; computer memory devices; black boxes [data recorders]; fire hose nozzles; connected bracelets [measuring instruments]; scales; baby scales; scales with body mass analyzers; bathroom scales; weighbridges; plumb bobs; vacuum gauges; vacuum tubes [radio]; variometers; shoes for protection against accidents, irradiation and fire; measuring instruments; gauges; measuring apparatus; electric measuring apparatus; measures; current rectifiers; high-frequency apparatus; flow meters; branch boxes [electricity]; video screens; camcorders; video cassettes; video devices for monitoring babies; video telephones; photographic viewfinders; sighting telescopes for firearms; viscosimeters; wind socks for indicating wind direction; leveling staffs [surveying instruments]; peepholes [magnifying lenses] for doors; marking buoys; fire extinguishers; diving suits; diving masks; fiber-optic cables; voltmeters; ear plugs for divers; gas testing apparatus; gasometers [measuring instruments]; electric discharge tubes other than for lighting; galena crystals [detectors]; galvanic batteries; galvanic cells; galvanometers; hands-free kits for telephones; virtual reality headsets; heliographic apparatus; surveying instruments and devices; surveying chains; weights; hygrometers; hydrometers; needles for surveying compasses; needles for record players; holograms; graduated glassware; sounding leads; loudspeakers; range finders (telemeters); decompression chambers; densimeters; densitometers; detectors; smoke detectors; counterfeit coin detectors; bells [warning apparatus]; mirrors [optics]; mirrors for inspecting work; dictating machines; dynamometers; floppy disks; magnetic disks; disk drives [for computers]; juke boxes for computers; telerupters; distillation apparatus for scientific use; diffraction apparatus [microscopy]; breathing apparatus for underwater swimming; breathing apparatus, except for artificial respiration; diagnostic apparatus, not for medical use; transparencies [photography]; slide projectors; diaphragms [acoustics]; diaphragms [photography]; diaphragms for scientific apparatus; DNA chips; adding machines; dosage dispensers; dosimeters; luminous or mechanical road signs; road traffic cones; fuse wires; choking coils [impedance]; equalizers [audio apparatus]; screens [photography]; exposure meters [light meters]; electrified fences; electrified rails for mounting spot lights; electric installations for the remote control of industrial operations; electrical adapters; electric door bells; electricity conduits; electro-dynamic apparatus for the remote control of railway points; electro-dynamic apparatus for the remote control of signals; electromagnetic coils; electronic key fobs being remote control apparatus; downloadable electronic publications; electronic interactive whiteboards; electronic pocket translators; electronic collars to train animals; downloadable electronic sheet music; electronic pens [visual display units]; electronic notice boards; electronic access-control systems for interloc-



king doors; electric and electronic effect devices for musical instruments; electronic tags for goods; epidiascopes; ergometers; magnetic identification bracelets; electric locks; electronic agendas; voltage surge protectors; fuses; battery chargers; chargers for electric accumulators; chargers for electronic cigarettes; charging stations for electric vehicles; protection devices for personal use against accidents; protection devices against X-rays, not for medical use; protective suits for aviators; protective masks, not for medical use; goggles for sports; protective films adapted for computer screens; protective films adapted for smartphones; head guards for sports; mouth guards for sports; protective helmets; protective helmets for sports; acoustic [sound] alarms; sound reproduction apparatus; sound recording carriers; sound recording apparatus; phonograph records; sound recording strips; sound transmission apparatus; acoustic conduits; connectors [electricity]; couplers [data processing equipment]; connections for electric lines; electric couplings; wire connectors [electricity]; mechanical signs; luminous signs; probes for scientific use; sounding apparatus and machines; buzzers; readers [data processing equipment]; bar code readers; magnetic identity cards; inverters [electricity]; slope indicators; inclinometers; clinometers; pressure indicators; incubators for bacteria culture; instruments containing eyepieces; integrated circuits; interactive touch-screen terminals; interfaces [for computers]; infrared detectors; ionization apparatus not for the treatment of air or water; spark-guards; starter cables for motors; electric cables; calipers; calibrating rings; calorimeters; pocket calculators; teeth protectors; capillary tubes for laboratory use; memory cards for video game machines; integrated circuit cards [smart cards]; encoded key cards; carriers for dark plates [photography]; video game cartridges; cash registers; cathodes; cathodic anti-corrosion devices; mouse pads; exposed cinematographic films; cinematographic cameras; terminals [electricity]; push buttons for bells; coaxial cables; encoded magnetic cards; electric collectors; dog whistles; compact disks [audio-video]; optical compact disks; comparators; directional compasses; marine compasses; computers; computer hardware; downloadable game software; software [recorded programs]; joysticks for use with computers, other than for video games; computer keyboards; computer peripheral devices; computer printers; magnetic tape units [for computers]; downloadable computer programs; recorded computer programs; recorded computer operating programs; commutators; electric apparatus for commutation; electrical condensers [capacitors]; electric contacts; contact lenses; containers for contact lenses; boiler control instruments; correcting lenses [optics]; junction boxes [electricity]; cabinets for loudspeakers; accumulator boxes; squares for measuring; cosmographic instruments; clothing for protection against fire; clothing for protection against fire; spools [photography]; electric coils; inductors

[electricity]; laboratory pipettes; pedometers; circular slide rules; bullet-proof clothing; bullet-proof vests; azimuth instruments; laboratory trays; logs [measuring instruments]; lasers not for medical use; lactodensimeters; lactometers; darkroom lamps [photography]; flash-bulbs [photography]; spectacle chains; laptop computers; spectacle lenses; rulers [measuring instruments]; carpenters' rules; optical lanterns; optical lamps; counters; revolution counters; distance recording apparatus; mileage recorders for vehicles/kilometer recorders for vehicles; slide-rules; sounding lines; magnifying glasses [optics]; magnets; decorative magnets; magnetic encoders; magnetic data media; magnetic wires; magnetic tapes; videotapes; crash test dummies; pressure gauges; solderers' helmets; mathematical instruments; materials for electricity mains [wires, cables]; weighing machines; money counting and sorting machines; material testing instruments and machines; furniture especially made for laboratories; megaphones; portable media players; metal detectors for industrial or military use; meteorological instruments; meteorological balloons; rules [measuring instruments]; dressmakers' measures; metronomes; mechanisms for counter-operated apparatus; mechanisms for coin-operated apparatus; coin-operated mechanisms for television sets; mouse [computer peripheral]; insulated copper wire; micrometers; micrometer screws for optical instruments; microprocessors; microscopes; microtomes; microphones; audio mixers; measuring spoons; mobile telephones; portable telephones; modems; monitors [computer hardware]; monitors [computer programs]; devices for editing cinematographic films; nautical apparatus and instruments; marine depth finders; naval signaling apparatus; coin-operated musical automata [juke boxes]; animated cartoons; junction sleeves for electric cables; navigational instruments; navigation apparatus for vehicles [on-board computers]; teaching apparatus; headphones; knee-pads for workers; covers for electric outlets; semiconductors; neon signs; identification threads for electric wires; thread counters; surveyors' levels; leveling instruments; verniers; nose clips for divers and swimmers; notebook computers; objectives [lenses] [optics]; lenses for astrophotography; close-up lenses; limiters [electricity]; sheaths for electric cables; identification sheaths for electric wires; egg-candlers; clothing for protection against accidents, irradiation and fire; special clothing for laboratories; ozonizers [ozonators]; octants; spectacles [optics]; sunglasses; eyepieces; ohmmeters; eyeglass frames; optical glass; eyewear; optical fibers [light conducting filaments]; optical disks; optical readers; optical condensers; optical lenses; optical data media; optical apparatus and instruments; sights for artillery guns; oscillographs; cleaning apparatus for sound recording discs; selfie sticks [hand-held monopods]; parking meters; safety restraints other than for vehicle seats or sports equipment; pince-nez; stills for laboratory experiments; intercommunication apparatus; speaking

tubes; transmitters of electronic signals; oxygen trans-  
vasing apparatus; switchboxes [electricity]; switchbo-  
ards; electric switches; automatic time switches; elec-  
tric converters; periscopes; personal stereos; punched  
card machines for offices; furnaces for laboratory use;  
amplifying lamps; amplifiers; wrist rests for use with  
computers; pyrometers; planimeters; plane tables [sur-  
veying instruments]; tablet computers; plates for bat-  
teries; boards for integrated circuits; printed circuit  
boards; DVD players; cassette players; compact disc  
players; exposed films; X-Y plotters; fire escapes; fire  
engines; fire pumps; fire blankets; fire beaters; fire  
alarms; fire boats; fire hoses; electric loss indicators;  
quantity indicators; petrol gauges; gasoline gauges;  
water level indicators; sprinkler systems for fire  
protection; polarimeters; vehicle breakdown warning  
triangles; letter scales; precision balances; prisms  
[optics]; downloadable computer software applica-  
tions; air analysis apparatus; food analysis apparatus;  
distance measuring apparatus; appliances for measur-  
ing the thickness of leather; apparatus for measuring  
the thickness of skins; speed checking apparatus for  
vehicles; time recording apparatus; weighing appara-  
tus and instruments; particle accelerators; hemline  
markers; railway traffic safety appliances; speed mea-  
suring apparatus [photography]; invoicing machines;  
video recorders; fire-extinguishing apparatus; tape re-  
corders; apparatus for changing record player needles;  
film cutting apparatus; electronic book readers; test  
tubes; flashing lights [light signals]; electric conduc-  
tors; electric wires; ducts [electricity]; record players;  
projection apparatus; projection screens; washing trays  
[photography]; anti-interference devices [electricity];  
electric installations for theft prevention; anti-  
theft warning apparatus; processors [central proces-  
sing units]; rods for water diviners; plumb lines; con-  
trol panels [electricity]; radar apparatus; radiological  
apparatus for industrial use; radiology screens for in-  
dustrial use; baby monitors (audio and video devices  
for monitoring babies); radio pagers; transmitting sets  
[telecommunication]; radios; vehicle radios; walkie-  
talkies; radiotelegraphy sets; radiotelephony sets;  
masts for wireless aerials; frames for photographic  
transparencies; screens for photoengraving; abacuses;  
calculating machines; voting machines; resuscitation  
mannequins [teaching apparatus]; electric regulating  
apparatus; voltage regulators for vehicles; electric  
light regulators [dimmers]; stage lighting regulators;  
speed regulators for record players; cell switches [el-  
ectricity]; electric resistances; marking gauges [joiner-  
y]; T-squares for measuring; electric relays; cell pho-  
ne straps; X-ray apparatus not for medical use; expo-  
sed x-ray films; X-ray tubes not for medical use; X-  
ray photographs, other than for medical use; rheostats;  
respirators for filtering air; respiratory masks other  
than for artificial respiration; retorts; refractometers;  
refractors; grids for batteries; downloadable ringtones  
for mobile telephones; levels [instruments for deter-  
mining the horizontal]; screw-tapping gauges; huma-

noid robots with artificial intelligence for scientific  
research purposes; electric plugs; demagnetizing ap-  
paratus for magnetic tapes; distribution boxes [elec-  
tricity]; distribution consoles [electricity]; distribution  
boards [electricity]; lightning conductors; slide cali-  
pers; mercury levels; circuit closers; diving gloves;  
gloves for protection against X-rays for industrial use;  
gloves for protection against accidents; horns for lo-  
udspeakers; life-saving apparatus and equipment; sa-  
fety tarpaulins; life buoys; life jackets; life-saving  
capsules for natural disasters; life-saving rafts; life  
belts; subwoofers; whistle alarms; reflective articles  
for wear for the prevention of accidents; reflective sa-  
fety vests; photographic lens hoods; blueprint appara-  
tus; light-emitting diodes [LED]; light-emitting elec-  
tronic pointers; traffic-light apparatus [signaling devi-  
ces]; sextants; non-explosive fog signals; luminous or  
mechanical signals; signaling buoys; signal bells; el-  
ectric alarm bells; signal lanterns; signaling panels, lu-  
minous or mechanical; alarms; signaling whistles; si-  
mulators for the steering or control of vehicles; sirens;  
safety nets; nets for protection against accidents; scan-  
ners [explorers] [data processing equipment]; smart  
watches; smart rings; smart glasses; smartphones; sa-  
linometers; solenoid valves [electromagnetic swit-  
ches]; sonars; solar batteries; solar panels for electri-  
city production; spectrograph apparatus; spectroscopes;  
spirit levels; alcohol meters; speed indicators; moni-  
toring apparatus other than for medical use; observation  
instruments; shutter releases [photography]; stereos-  
copes; stereoscopic apparatus; head cleaning tapes;  
stroboscopes; sulfimeters; bags adapted for laptops;  
satellites for scientific use; satellite navigation appa-  
ratus; drying apparatus for photographic prints; drying  
racks [photography]; spherometers; printed circuits;  
time clocks [time recording devices]; egg timers [san-  
dglasses]; taximeters; tachometers; television appa-  
ratus; telegraphs [apparatus]; telegraph wires; telesco-  
pes; teleprompters; teleprinters; telephone appa-  
ratus; telephone transmitters; telephone wires; telepho-  
ne receivers; temperature indicators; labels indicating tem-  
perature, other than for medical purposes; theodolites;  
thermal imaging cameras; heat regulating apparatus;  
thermo-hygrometers; thermionic tubes; thermionic va-  
lves; thermometers, not for medical use; thermostats;  
thermostats for vehicles; crucibles [laboratory]; pres-  
sure measuring apparatus; pressure indicator plugs for  
valves; security tokens [encryption devices]; tone  
arms for record players; empty toner cartridges for  
printers and photocopiers; totalizers; precision mea-  
suring apparatus; transistors [electronic]; transmitters  
[telecommunication]; transponders; protractors [mea-  
suring instruments]; transformers [electricity]; step-up  
transformers; holders for electric coils; tripods for ca-  
meras; triodes; Pitot tubes; urinometers; downloada-  
ble image files; downloadable music files; facsimile  
machines; apparatus and instruments for physics; fil-  
ters for photography; filters for respiratory masks; fil-  
ters for ultraviolet rays for photography; wearable ac-

tivity trackers; USB flash drives; fluorescent screens; cameras [photography]; glazing apparatus for photographic prints; drainers for use in photography; photovoltaic cells; shutters [photography]; enlarging apparatus [photography]; photocopiers; darkrooms [photography]; photometers; flashlights [photography]; phototelegraphy apparatus; spectacle cases; cases for smartphones; containers for microscope slides; cases especially made for photographic apparatus and instruments; wavemeters; chemistry apparatus and instruments; chromatography apparatus for laboratory use; chronographs [time recording apparatus]; laboratory centrifuges; centering apparatus for photographic transparencies; cyclotrons; graduated compasses; digital weather stations; digital signs; digital photo frames; saccharometers; magic lanterns; frequency meters; Petri dishes; chips [integrated circuits]; square rulers for measuring; sleeves for laptops; covers for personal digital assistants [PDAs]; covers for tablet computers; hard covers for smartphones; jigs [measuring instruments]; spectacle cords; riding helmets; retorts' stands; stands for photographic apparatus; sound locating instruments; workmen's protective face-shields; armatures [electricity].

11 – Lamp shades; electric autoclaves for cooking; electric pressure cookers; aquarium lights; aquarium heaters; aquarium filtration apparatus; steam accumulators; heat accumulators; anti-glare devices for vehicles [lamp fittings]; defrosters for vehicles; hot air apparatus; air deodorizing apparatus; loading apparatus for furnaces; apparatus for dehydrating food waste; ionization apparatus for the treatment of air or water; beverage-cooling apparatus; air cooling devices; gas scrubbing apparatus; oil-scrubbing apparatus; desiccating apparatus; tanning beds; coffee roasters; drying apparatus for fodder and forage; hand-drying apparatus for washrooms; water filtering apparatus; steam facial apparatus [saunas]; air purification apparatus and machines; water softening apparatus and installations; lighting apparatus and installations; hydromassage bath apparatus; acetylene generators; acetylene flares; acetylene burners; germicidal lamps for purifying air; barbecues; oil burners; bidets; laundry room boilers; washing coppers; bathtubs; spa baths; electric waffle irons; bicycle lights; fans [air-conditioning]; fans [parts of air-conditioning installations]; electric fans for personal use; ventilation [air-conditioning] installations for vehicles; ventilation [air-conditioning] installations and apparatus; safety lamps; kilns; evaporators; extractor hoods for kitchens; ventilation hoods; ventilation hoods for laboratories; fabric steamers; pressurized water tanks; whirlpool-jet apparatus; water conduits installations; water intake apparatus; water heaters; water purification installations; water purifying apparatus and machines; water supply installations; water flushing installations; flushing tanks; carbon for arc lamps; gas condensers other than parts of machines; gas boilers; gas burners; gas lamps; gas scrubbers [parts of gas ins-

tallations]; electric discharge tubes for lighting; hydrants; fairy lights for festive decoration; hearths; rotisseries; hot water bottles; warming pans; foot warmers, electric or non-electric; bed warmers; disinfectant apparatus; disinfectant apparatus for medical use; deodorizing apparatus not for personal use; ornamental fountains; chimney flues; disinfectant apparatus for dispensing solutions into water pipes for sanitary installations; stills; distillation apparatus; distillation columns; arc lamps; showers; shower cubicles; electric appliances for making yogurt; electric lamps; electrically heated carpets; grills [cooking appliances]; malt roasters; roasters; roasting spits; flues for heating boilers; feeding apparatus for heating boilers; immersion heaters; gas lighters; safety accessories for water or gas apparatus and pipes; chimney blowers; humidifiers for central heating radiators; coils [parts of distilling, heating or cooling installations]; furnace ash boxes; drip irrigation emitters [irrigation fittings]; electric coffee machines; heating apparatus; lava rocks for use in barbecue grills; domestic fireplaces; hot air ovens; oxyhydrogen burners; Chinese lanterns; pocket warmers; level controlling valves in tanks; air valves for steam heating installations; electric blankets, not for medical use; furnace grates; air-conditioning apparatus; air conditioners for vehicles; taps for pipes and pipelines; taps; mixer taps for water pipes; radiator caps; portable forges; electric cooking utensils; cooking apparatus and installations; cooking rings; kitchen ranges [ovens]; cookers (cooking stoves); laboratory lamps; laboratory burners; lamps for lighting; curling lamps; light bulbs for directional signals for vehicles; lamp glasses; lamp chimneys; electric lights for Christmas trees; street lamps; standard lamps; lights for automobiles; lanterns for lighting; lights for vehicles; electric flashlights; luminous tubes for lighting; chandeliers; magnesium filaments for lighting; oil lamps; ice-cube machines and apparatus; microwave ovens [cooking apparatus]; microwave ovens for industrial use; freezers; motorcycle lights; multi-cookers; foot muffs, electrically heated; heating apparatus for defrosting windows of vehicles; heating elements; hot plates; heaters for baths; heaters for heating irons; electric heaters for feeding bottles; air reheaters; brackets for gas burners; electric heating filaments; filaments for electric lamps; roasting jacks; heating plates; stoves [heating apparatus]; fumigation apparatus not for medical use; bath fittings; hot air bath fittings; hot water heating installations; heating installations; heaters for vehicles; electric heating apparatus; heating apparatus for solid, liquid or gaseous fuels; heating boilers; kiln furniture [supports]; lighting installations for air vehicles; light-emitting diode [LED] lighting apparatus; dehumidifiers; coolers for furnaces; electric cool boxes; purification installations for sewage; burners; germicidal burners; burners for lamps; electric food steamers; boilers other than parts of machines; steam boilers, other than parts of machines; pasteurizers; sockets for electric lamps; portable

Turkish bath cabinets; electric coffee percolators; dental ovens; ovens, other than for laboratory use; diving lights; plate warmers; urinals; lamp globes; electric heating cushions, not for medical use; automatic watering installations; watering machines for agricultural purposes; polymerization installations; electric tortilla presses; heated display cabinets; electric chocolate fountains; book sterilization apparatus; glue-heating appliances; searchlights; washers for water taps; anti-splash tap nozzles; radiators [heating]; electric radiators; central heating radiators; sinks; refining towers for distillation; heat regenerators; regulating and safety accessories for water apparatus; regulating and safety accessories for gas pipes; regulating accessories for water or gas apparatus and pipes; regulating and safety accessories for gas apparatus; dampers [heating]; lamp reflectors; vehicle reflectors; refrigerators; incandescent burners; expansion tanks for central heating installations; sanitary apparatus and installations; luminous house numbers; lighting apparatus for vehicles; light bulbs; electric light bulbs; light diffusers; toilet seats; bathtubs for sitz baths; incinerators; solar furnaces; solar thermal collectors [heating]; alcohol burners; ceiling lights; sterilizers; water sterilizers; air sterilizers; clean chambers [sanitary installations]; structural plates for ovens; structural framework for ovens; tobacco roasters; fruit roasters; electric laundry dryers; driers [apparatus]; drying apparatus and installations; heat guns; heat exchangers other than parts of machines; thermostatic valves [parts of heating installations]; bread toasters; lampshade holders; pipes [parts of sanitary installations]; boiler pipes [tubes] for heating installations; toilets [WC]; portable toilets; ultraviolet ray lamps not for medical use; wash-hand basins [parts of sanitary installations]; toilet bowls; automatic ash conveyor installations; bath installations; steam generating installations; desalination plants; air conditioning installations; installations for processing nuclear fuel and nuclear moderating material; water cooling installations; milk cooling installations; water distribution installations; sauna bath installations; air filtering installations; swimming pool chlorinating apparatus; flaming torches; flare stacks for use in the oil industry; headlights for automobiles; vehicle headlights; fittings, shaped, for ovens; hair dryers; air filters for air conditioning; filters for drinking water; fountains; friction lighters for igniting gas; electric deep fryers; oven fittings made of fire clay; bread baking machines; bread-making machines; cooling installations for liquids; cooling installations for tobacco; cooling installations and machines; refrigerating apparatus and machines; refrigerating containers; refrigerating chambers; refrigerating display cabinets; refrigerating apparatus and installations; refrigerating cabinets; chromatography apparatus for industrial use; lamp mantles; electric kettles; electric wine cellars; miners' lamps; electrically heated socks; nuclear reactors; bakers' ovens; walk-in refrigerators; lamp casings.

18 – Mountaineering sticks and alpenstocks; Whips; address tags for luggage; gold beaters' skin; suitcases [carrying cases]; trunks [luggage]; carried skins; reins for controlling children; business card cases; compacting modules designed for luggage; boxes of vulcanized fiber; key cases; bits for animals [harness]; bridles [harness]; purses and coin purses; chain mesh purses; reusable shopping bags; parts of rubber for stirrups; traveling trunks; traveling bags; leather labels; cha-mois leather, other than for cleaning purposes; fastenings for saddles; cat o' nine tails; handbag frames; frames for umbrellas or parasols; attaché cases; wallets; umbrella rings; valves of leather; casings, of leather, for springs; boxes of leather or leatherboard; hat boxes of leather; butts [parts of hides]; kid; saddle trees; saddlery; slings for carrying infants; furniture coverings of leather; haversacks; moleskin [imitation leather]; travel sets [leatherware]; knee-pads for horses; reins; muzzles; collars for animals; halters; vanity cases; leather thread; music cases; harness fittings; clothing for pets; trimmings of leather for furniture; umbrellas; parasols; leather straps; straps for soldiers' equipment; straps for skates; chin straps, of leather; straps of leather [saddlery]; shoulder belts [straps] of leather; horseshoes; pads for horse saddles; beach bags; leashes; covers for horse saddles; covers [clothing] for animals; horse blankets; girths of leather; briefcases [leather goods] and document holders; conference folders; traces [harness]; randsels [Japanese school satchels]; stirrup leathers; umbrella handles; handles for carrying shopping bags; suitcase handles; walking-stick handles; rucksacks [backpacks]; saddlebags; riding saddles; net bags for shopping; cases of leather or leatherboard; umbrella or parasol ribs; sports bags; stirrups; bags [envelopes, pouches] of leather for packaging; bags for climbers; empty tool bags; sling bag for carrying babies; garment bags for travel; wheeled shopping bags; handbags; bags for campers; bags; pouch baby carriers; nose bags [feed bags]; bridoons; umbrella sticks; hiking sticks and trekking sticks; walking sticks; walking-stick seats; tefillin [phylacteries]; harnesses for animals; harness straps; card cases [wallets]; credit card cases [wallets]; horse collars; fur and fur-skins; saddlecloths for horses; suitcases; motorized suitcases; wheeled suitcases; umbrella covers; school bags; imitation leather; unworked or semi-worked leather; leatherboard; animal skins and hides; cattle skins; leather laces; blinders [harness]; game bags.

21 – Abrasive pads for kitchen purposes; non-electric pressure cookers (autoclaves); non-electric pressure cookers (autoclaves); wine aerators; aerosol dispensers for household or kitchen use, not for medical use; indoor aquariums; perfume burners; cotton waste for cleaning; cookie jars; labels for decanters; saucers; demijohns; vases; fruit cups; bird baths; portable baby baths; non-electric waffle irons; epergnes (table centerpieces); carpet beaters [hand instruments]; signboards of porcelain or glass; cookie cutters [kitchenwa-

re]; tankards; polishing leather; ice buckets; ice buckets; buckets; tubs; buckets for wringing out mops; buckets made of woven fabrics; brooms; non-electric whisks for household use; towel rails and rings; containers for household or kitchen use; tea caddies; lunch boxes; wool waste for cleaning; water apparatus for cleaning teeth and gums; hair for brushes; furniture dusters; dusting cloths [rags]; cloth for washing floors; polishing cloths; rags [cloths] for cleaning; candle extinguishers; button hooks; cold packs for cooling food and beverages; pitchers; jugs; earthenware; feeding troughs; heads for electric toothbrushes; pottery; pots; decanters; large-toothed combs for the hair; combs for animals; electric combs; combs; make-up sponges; household sponges; deodorizing apparatus for personal use; dripping pans; broom handles; abrasive sponges for scrubbing the skin; smoke absorbers for household use; soap dispensers; boxes for dispensing paper towels; toilet paper dispensers; cutting boards for the kitchen; bread boards; ornaments of porcelain; non-electric kitchen mills; electric devices for attracting and killing insects; plug-in mosquito repellent diffusers; enameled glass, other than that used in construction; scrubbing brushes; chamois leather for cleaning; buckskin for cleaning; closures for pot lids; non-electric beaters; non-electric blenders for household use; toothbrushes; electric toothbrushes; toothpicks; isothermal bags; non-electric coffee pots; manual coffee grinders; non-electric coffee percolators; coffee services; cauldrons; mess-tins; candelabra [candlesticks]; candle holders (candlesticks); stew-pans; earthenware saucepans; rolling pins; flower-pot covers, not of paper; flower pots; ceramic products for household purposes; pastry baking mats; napkin rings; horsehair for brush-making; glue-pots; birdcages; cages for household pets; cleaning tow; shoe trees; boot trees; boxes of glass; cosmetic utensils; spatulas for cosmetic use; waste paper baskets; bread baskets for household use; fitted picnic baskets, including dishes; baskets for household use; droppers for watering flowers and plants; syringes for watering flowers and plants; crystal [glassware]; reusable ice cubes; bulb basters; mugs; non-electric cooking utensils; non-electric cooking pots; cooking skewers, of metal; cookery molds; kitchen utensils; kitchen gloves; barbecue gloves; plate glass [raw material]; funnels; shoe horns; ice cream scoops; spoons for basting meat [cooking utensils]; kitchen spatulas; pie servers; crumb trays; majolica; butter dishes; brush-making materials; electric or non-electric lint removers; steel wool for cleaning; carpet sweepers; soap boxes; soap holders; bowls; mouse traps; confectioners' decorating bags; hand-operated mills for household use; manual pepper mills; mosaics of glass, not for building; saucapan scourers of metal; fly swatters; fly traps; liqueur sets; spice sets; cooking pot sets; non-electric feeding bottle warmers; pot lids; butter-dish covers; dish covers; cheese-dish covers; aquarium hoods; drinking troughs; nozzles for watering cans; nozzles for sprink-

ler hoses; knife rests for the table; place mats, not of paper or textile; utensils for household use; toilet cases; dental floss; chamber pots; spouts; washtubs; disposable table plates; opaline glass; opal glass; portable non-electric refrigerating containers; chopsticks; cocktail stirrers; paper plates; non-electric steamers; insect traps; rat traps; kitchen brushes; make-up brushes; mixing spoons [kitchen utensils]; pepper pots; beer mugs; non-electric dusting apparatus; nest eggs, artificial; cabarets [serving trays]; trays for household use; lazy susans [kitchenware]; paper trays for household use; trivets [table utensils]; holders for plants [flower arrangements]; decanter coasters, neither of paper nor of textile materials; shaving brush holders; flat-iron stands; grill supports; egg cups; place mats, neither made of paper nor of textile materials; feather dusters; plates to prevent milk boiling over; cruets; bottles; drinking bottles; busts of porcelain, ceramic, earthenware, terracotta or glass; non-electric kitchen grinders; scouring pads; rings for birds; poultry rings; watering cans; watering implements; non-electric polishing apparatus and machines for household use; polishing materials [for making shiny] excluding preparations, paper and stone; apparatus for wax-polishing [non-electric]; wax-polishing appliances, non-electric, for shoes; polishing gloves; shaving brushes; porcelain ware; dishes; vegetable dishes; refrigerating bottles; drinking vessels; glass jars [carboys]; non-electric ice cream makers; washing boards; ironing boards; tie presses; tortilla presses, non-electric [kitchen utensils]; non-electric fruit presses for household use; trouser presses; cruet sets for oil and vinegar; make-up removing apparatus; bottle openers, electric and non-electric; boot jacks; glove stretchers; mop wringers; clothing stretchers; pot holders (oven gloves); clothes pegs; plungers for clearing blocked drains; stoppers of glass; glass caps; cinder sifters [household utensils]; empty powder compacts; perfume sprayers; powder puffs; sifters [household utensils]; pastry cutters [baker's knives]; drinking horns; sprinklers; foam toe separators for use in pedicures; fused silica [semi-worked product], other than for building; household gloves; gloves for washing cars; noodle-making apparatus [hand implements]; gardening gloves; salad bowls; piggy banks; candle jars [holders]; candle rings; non-electric egg separators for household use; services [dishes]; serving ladles; sieves [household utensils]; siphon bottles for carbonated water; salt cellars; coin banks (piggy banks); glass for vehicle windows [semi-finished product]; glass incorporating fine electrical conductors; unworked or semi-worked glass, except building glass; glass wool other than for insulation; vitreous silica fibers not for textile use; fiberglass other than for insulation or textile use; fiberglass threads, other than for textile use; painted glass; powdered glass for decoration; glass vials [containers]; glass flasks [containers]; glasses [receptacles]; drinking glasses; frying pans; grills [cooking utensils]; camping grills [cooking utensils]; curry-

combs; non-electric deep fryers; scoops for household use; drinking straws; straws for drinking; statues of porcelain, ceramic, earthenware, terracotta or glass; tableware; table plates; kitchen mortars; soup bowls; drying racks for laundry; basins [receptacles]; art objects made of porcelain, ceramic, earthenware, terracotta or glass; indoor terrariums [vivariums]; indoor terrariums [plant cultivation]; heat-insulated containers; heat-insulated containers for beverages; thermally insulated containers for food; insulating flasks; non-electrically heated hot pots; kitchen graters; kitchen pestles; sponge holders; toothpick holders; toilet paper holders; menu card holders; table napkin holders; toilet sponges; litter boxes (trays) for pets; toilet brushes; tea cosies; urns for household or kitchen use; figurines of porcelain, ceramic, earthenware, terracotta or glass; non-electric coffee filters; flasks; pocket flasks; molds [kitchen utensils]; cake molds; ice molds; comb cases; bread bins; strainers for household use; candy boxes; sugar bowls; garlic presses [kitchen utensils]; teapots; non-electric kettles; tea services; tea infusers; tea strainers; cups; cups of paper or plastic; ladles for wine; hand-operated cleaning instruments; ironing board covers; mops; mixers for beverages [shakers]; corkscrews, electric and non-electric; pig bristles for brush-making; animal bristles [brushware]; ice-cube tongs; nutcrackers; salad tongs; sugar tongs; shoe brushes; horse brushes; lamp-glass brushes; long handled tar-brushes; dishwashing brushes; waxing brushes; brushes for cleaning tanks and containers; electric brushes, except parts of machines; brushes; brush goods; eyebrow brushes; eyelash brushes; nail brushes; window-boxes; mangers for animals; dustbins; garbage cans; refuse bins for household use; trash cans.

(260) AM 2024 123131 A

(800) 1732427

(151) 2023 03 17

(891) 2023 03 17

(731) Bayer Aktiengesellschaft

Kaiser-Wilhelm-Allee, 51373 Leverkusen,  
Germany

(540)



CHECK IN TIME,  
PROTECT IN TIME

(591) Blue, light blue and orange (C 83, C 93, C 52, C 0)

(531) 02.09.01; 02.09.25; 17.01.19; 27.05.10; 29.01.13

(511)

41 – Education, providing of training activities in the field of cardiovascular and subsequent diseases.

44 – Medical services.

(260) AM 2024 123132 A

(800) 1732435

(151) 2023 04 18

(891) 2023 04 18

(731) Zakrytoe aktsionernoe obshchestvo, "Myasnaya Galereya"

ul. Poliny Osipenko, d. 65, of. 10; RU-600009  
g. Vladimir, Russian Federation

(540)

## Hotsters

(591) Black, white

(511)

29 – Ajvar being preserved peppers; aloe vera prepared for human consumption; alginates for culinary purposes; anchovy, not live; peanuts, prepared; artichokes, preserved; white of eggs; beans, preserved; soya beans, preserved, for food; broth; ginger jam; ham; fatty substances for the manufacture of edible fats; toasted laver; edible birds' nests; sea-cucumbers, not live; peas, preserved; mushrooms, preserved; guacamole [mashed avocado]; game, not live; gelatine; meat jellies; jellies for food, other than confectionery; fruit jellies [jams]; yolk of eggs; coconut fat; bone oil for food; lard; suet for food; edible fats; julienne being baked poultry or mushroom dish with sour cream; curd; fruit-based snack food; milk substitutes; charcuterie; raisins; caviar; aubergine paste; vegetable marrow paste; fish roe, prepared; yogurt; galbi being grilled meat dish; sauerkraut; kefir [milk beverage]; kimchi [fermented vegetable dish]; isinglass for food; clams, not live; potato-based dumplings; milk shakes; black pudding; onion rings; arrangements of processed fruit; compotes; meat, tinned; vegetables, tinned; fish, tinned; fruits, tinned; broth concentrates; corn dogs; gherkins; meat cutlets; frozen meat cutlets; shrimps, not live; prawns, not live; buttercream; croquettes; silkworm chrysalis for human consumption; sweet corn, processed; kumys; chicken wings; spiny lobsters, not live; lecithin for culinary purposes; salmon, not live; onions, preserved; margarine; marmalade; oils for food; peanut butter; cocoa butter for food; coconut oil for food; coconut butter; maize oil for food; sesame oil for food; linseed oil for food; extra virgin olive oil for food; olive oil for food; palm oil for food; palm kernel oil for food; sunflower oil for food; rape oil for food; butter; soya bean oil for food; mussels, not live; almonds, ground; animal marrow for food; molluscs, not live; milk; peanut milk; peanut milk for culinary purposes; coconut milk; coconut milk for culinary purposes; almond milk; almond milk for culinary purposes; oat milk; rice milk; rice milk for culinary purposes; albumin milk; condensed milk; soya milk; powdered milk; fish meal for human consumption; vegetable mousses; fish mousses; fruit pulp; meat; meat, preserved; freeze-dried meat; chicken nuggets; milk beverages, milk predominating; peanut milk-based beverages; coconut milk-based beverages; almond milk-based beverages; edible insects, not live; sausage casings, natural or artificial; vege-

tables, preserved; freeze-dried vegetables; vegetables, dried; vegetables, cooked; potato fritters; olives, preserved; lobsters, not live; flavoured nuts; candied nuts; coconut, desiccated; nuts, prepared; tomato paste; liver pâté; pectin for culinary purposes; liver; pickles; jams; powdered eggs; milk products; fish-based foodstuffs; prostokvasha [soured milk]; poultry, not live; battered chicken pieces; bulgogi; pollen prepared as foodstuff; cranberry compote; tomato purée; apple purée; crayfish, not live; crustaceans, not live; fish, preserved; fish, not live; salted fish; ryazhenka [fermented baked milk]; vegetable salads; fruit salads; bacon; sardelki [sausages]; sardines, not live; pork; herrings, not live; seeds, prepared; sunflower seeds, prepared; cream [dairy products]; whipped cream; vegetable-based cream; fat-based spreads for bread slices; smetana [sour cream]; lemon juice for culinary purposes; tomato juice for cooking; vegetable juices for cooking; salted meats; sausages; sausages in batter; hot dog sausages; preparations for making bouillon; preparations for making soup; nut-based spreads; tripe; soups; vegetable soup preparations; whey; cheese; tahini [sesame seed paste]; tofu; truffles, preserved; tuna, not live; oysters, not live; falafel; milk ferments for culinary purposes; rennet; fish fillets; dates; crystallized fruits; frozen fruits; fruit, preserved; fruit preserved in alcohol; fruit, stewed; hazelnuts, prepared; potato flakes; hummus [chickpea paste]; fruit peel; preserved garlic; lentils, preserved; potato crisps; low-fat potato crisps; fruit chips; non-alcoholic egg-nog; seaweed extracts for food; meat extracts; shpikachki [sausages]; berries, preserved; snail eggs for consumption; eggs; yakitori.

30 – Vanilla flavourings for culinary purposes; flavourings, other than essential oils, for cakes; flavourings, other than essential oils, for beverages; coffee flavourings; food flavourings, other than essential oils; star aniseed; baozi [stuffed buns]; cereal bars; high-protein cereal bars; pancakes; noodle-based prepared meals; freeze-dried dishes with the main ingredient being pasta; freeze-dried dishes with the main ingredient being rice; buns; bread rolls; edible rice paper; edible paper; burritos; vanillin [vanilla substitute]; vareniki [stuffed dumplings]; waffles; vermicelli; natural sweeteners; sausage binding materials; binding agents for ice cream; seawater for cooking; seaweed [condiment]; malt biscuits; cloves [spice]; mirror icing [mirror glaze]; cake frosting [icing]; glucose for culinary purposes; mustard; gluten additives for culinary purposes; yeast; fried pelmeni; thickening agents for cooking foodstuffs; leaven; rice-based snack food; cereal-based snack food; coffee substitutes; vegetal preparations for use as coffee substitutes; dressings for salad; fruit jellies [confectionery]; candy decorations for cakes; confectionery for decorating Christmas trees; cakes; pastries; peanut confectionery; almond confectionery; pasta; ginger [spice]; frozen yogurt [confectionery ices]; cocoa; curry [spice]; kim-bap; quiches; gluten prepared as foodstuff; flour-ba-

sed dumplings; sweets; liquorice [confectionery]; peppermint sweets; dulce de leche; cinnamon [spice]; coffee; unroasted coffee; starch for food; crackers; custard; hominy grits; semolina; oatmeal; cream of tartar for culinary purposes; capers; caramels [sweets]; ketchup [sauce]; crushed barley; groats for human food; ice cubes; corn, milled; corn, roasted; meat pies; turmeric; couscous [semolina]; noodles; ice for refreshment; ice, natural or artificial; edible ices; lollipops [confectionery]; rice cakes; mayonnaise; macaroons [pastry]; macaroni; maltose; hominy; piccalilli; marinades; marzipan; honey; miso [seasoning]; royal jelly; ice cream; bean meal; tapioca flour; potato flour; corn flour; nut flours; flour; wheat flour; soya flour; barley meal; dessert mousses [confectionery]; chocolate mousses; muesli; mint for confectionery; cocoa beverages with milk; coffee beverages with milk; coffee-based beverages; cocoa-based beverages; chamomile-based beverages; tea-based beverages; chocolate beverages with milk; chocolate-based beverages; infusions, not medicinal; crushed oats; husked oats; okonomiyaki [Japanese savory pancakes]; onigiri [rice balls]; nutmegs [spice]; chocolate-coated nuts; stick liquorice [confectionery]; lozenges [confectionery]; molasses for food; pâtés en croûte; pelmeni; khinkali [stuffed dumplings]; manti [stuffed dumplings]; pepper; allspice; peppers [seasonings]; pesto [sauce]; biscuits; petit-beurre biscuits; bibimbap [rice mixed with vegetables and beef]; pies; pizzas; meat gravies; fondants [confectionery]; popcorn; powders for making ice cream; baking powder; mustard meal; pralines; aromatic preparations for food; condiments; meat tenderizers for culinary purposes; cereal preparations; oat-based food; propolis; gingerbread; spices; petits fours [cakes]; rice pudding; puddings; cake powder; fruit coulis [sauces]; ravioli; ramen [Japanese noodle-based dish]; chewing gum; relish [condiment]; rice; instant rice; wheat germ for human consumption; spring rolls; sago; palm sugar; sugar; sesame seeds [seasonings]; linseed for culinary purposes [seasoning]; processed seeds for use as a seasoning; aniseed; agave syrup [natural sweetener]; golden syrup; candy bars; batter mixes for okonomiyaki [Japanese savory pancakes]; baking soda [bicarbonate of soda for cooking purposes]; malt for human consumption; salt for preserving foodstuffs; cooking salt; celery salt; sorbets [ices]; ham glaze; soya sauce; tomato sauce; sauces [condiments]; pasta sauce; spaghetti; seasonings; chocolate-based spreads; chocolate spreads containing nuts; preparations for stiffening whipped cream; rusks; breadcrumbs; sushi; senbei [rice crackers]; sandwiches; tabbouleh; tacos; tapioca; tarts; dough; pastry dough; almond paste; rice pulp for culinary purposes; cake batter; tortillas; garden herbs, preserved [seasonings]; chocolate decorations for cakes; vinegar; beer vinegar; ferments for dough; halvah; bread; unleavened bread; chips [cereal products]; corn flakes; oat flakes; hot dog sandwiches; flowers or leaves for use as tea substitutes; jiaozi [stuffed dumplings];

chicory [coffee substitute]; tea; iced tea; chutneys [condiments]; chebureki [deep-fried pies]; minced garlic [condiment]; cheeseburgers [sandwiches]; chow-chow [condiment]; saffron [seasoning]; chocolate; malt extract for food; essences for foodstuffs, except etheric essences and essential oils; husked barley.

(260) AM 2024 123143 A

(800) 1732734

(151) 2023 04 20

(891) 2023 04 20

(731) Apple Inc.

One Apple Park Way, Cupertino CA 95014,  
USA

(540)



(591) Black, white

(531) 05.07.13; 05.07.23; 27.05.01

(511)

25 – Clothing; clothing jackets; sports jackets; fleece jackets; down jackets; wind resistant jackets; rain jackets; shirts; t-shirts; sports shirts; tank tops; athletic uniforms; sweatshirts; hooded sweatshirts; sweaters; scarves; jerseys being clothing; sports jerseys; shorts; pants; warm up suits; sweat suits; gloves; gloves being clothing; ties as clothing; neckties; soccer bibs; european football bibs; sleepwear; underwear; socks; wristbands as clothing; footwear; sneakers; headwear; caps being headwear; visors being headwear; sun visors being headwear; hats; headbands.

(260) AM 2024 123149 A

(800) 1732903

(151) 2023 04 19

(891) 2023 04 19

(731) Zakrytoe aktsionernoe obshchestvo

"Starodvorskije kolbasy"

ul. Poliny Osipenko, d. 41, of. 210, RU-600009

g. Vladimir, Russian Federation

(540)

## **Bavarushka**

(591) Black, white

(511)

29 – Ajvar being preserved peppers; aloe vera prepared for human consumption; alginates for culinary purposes; anchovy, not live; peanuts, prepared; artichokes, preserved; white of eggs; beans, preserved; soya beans, preserved, for food; broth; ginger jam; ham; fatty substances for the manufacture of edible fats; toasted laver; edible birds' nests; sea-cucumbers, not live; peas, preserved; mushrooms, preserved; guacamole; game, not live; gelatine; meat jellies; jellies

for food, other than confectionery; fruit jellies [jams]; yolk of eggs; coconut fat; bone oil for food; lard; suet for food; edible fats; julienne being baked poultry or mushroom dish with sour cream; curd; fruit-based snack food; milk substitutes; charcuterie; raisins; caviar; aubergine paste; vegetable marrow paste; fish roe, prepared; yogurt; galbi being grilled meat dish; sauerkraut; kephir; kimchi [fermented vegetable dish]; isinglass for food; clams, not live; potato-based dumplings; milk shakes; black pudding; onion rings; arrangements of processed fruit; compotes; meat, tinned; vegetables, tinned; fish, tinned; fruits, tinned; broth concentrates; corn dogs; gherkins; meat cutlets; frozen meat cutlets; shrimps, not live; prawns, not live; buttercream; croquettes; silkworm chrysalis for human consumption; sweet corn, processed; koumiss; chicken wings; spiny lobsters, not live; lecithin for culinary purposes; salmon, not live; onions, preserved; margarine; marmalade; oils for food; peanut butter; cocoa butter for food; coconut butter; maize oil for food; sesame oil for food; linseed oil for food; extra virgin olive oil for food; olive oil for food; palm oil for food; palm kernel oil for food; sunflower oil for food; rape oil for food; butter; soya bean oil for food; mussels, not live; almonds, ground; animal marrow for food; molluscs, not live; peanut milk; peanut milk for culinary purposes; coconut milk; milk; coconut milk for culinary purposes; almond milk; almond milk for culinary purposes; oat milk; rice milk; rice milk for culinary purposes; albumin milk; condensed milk; soya milk; powdered milk; fish meal for human consumption; vegetable mousses; fish mousses; fruit pulp; meat; meat, preserved; freeze-dried meat; chicken nuggets; milk beverages, milk predominating; peanut milk-based beverages; coconut milk-based beverages; almond milk-based beverages; edible insects, not live; sausage casings, natural or artificial; vegetables, preserved; freeze-dried vegetables; vegetables, dried; vegetables, cooked; potato fritters; olives, preserved; lobsters, not live; flavoured nuts; candied nuts; coconut, desiccated; nuts, prepared; tomato paste; liver pâté; pectin for culinary purposes; liver; pickles; jams; powdered eggs; milk products; fish-based foodstuffs; prostokvasha being soured milk; poultry, not live; battered chicken pieces; bulgogi; pollen prepared as foodstuff; cranberry compote; tomato purée; apple purée; crayfish, not live; crustaceans, not live; fish, preserved; fish, not live; salted fish; ryazhenka being fermented baked milk; vegetable salads; fruit salads; bacon; sardelki [sausages]; sardines, not live; pork; herrings, not live; seeds, prepared; sunflower seeds, prepared; cream [dairy products]; whipped cream; vegetable-based cream; fat-based spreads for bread slices; smetana; lemon juice for culinary purposes; tomato juice for cooking; vegetable juices for cooking; salted meats; sausages; sausages in batter; hot dog sausages; preparations for making bouillon; preparations for making soup; nut-based spreads; tripe; soups; vegetable soup preparations; whey; cheese; ta-



hini; tofu; truffles, preserved; tuna, not live; oysters, not live; falafel; milk ferments for culinary purposes; rennet; fish fillets; dates; crystallized fruits; frozen fruits; fruit, preserved; fruit preserved in alcohol; fruit, stewed; hazelnuts, prepared; potato flakes; hummus [chickpea paste]; fruit peel; preserved garlic; lentils, preserved; potato crisps; low-fat potato crisps; fruit chips; shpikachki [sausages]; non-alcoholic eggnog; seaweed extracts for food; meat extracts; berries, preserved; snail eggs for consumption; eggs; yakitori; edible ant larvae, prepared.

30 – Vanilla flavourings for culinary purposes; flavourings, other than essential oils, for cakes; flavourings, other than essential oils, for beverages; coffee flavourings; food flavourings, other than essential oils; star aniseed; baozi; cereal bars; high-protein cereal bars; pancakes; noodle-based prepared meals; freeze-dried dishes with the main ingredient being pasta; freeze-dried dishes with the main ingredient being rice; buns; bread rolls; edible rice paper; edible paper; burritos; vanillin [vanilla substitute]; vareniki [stuffed dumplings]; waffles; vermicelli; natural sweeteners; sausage binding materials; binding agents for ice cream; seawater for cooking; seaweed [condiment]; malt biscuits; cloves [spice]; mirror icing [mirror glaze]; cake frosting [icing]; glucose for culinary purposes; mustard; gluten additives for culinary purposes; yeast; fried pelmeni; thickening agents for cooking foodstuffs; leaven; rice-based snack food; cereal-based snack food; coffee substitutes; vegetal preparations for use as coffee substitutes; dressings for salad; fruit jellies [confectionery]; candy decorations for cakes; confectionery for decorating Christmas trees; cakes; pastries; peanut confectionery; almond confectionery; pasta; ginger [spice]; frozen yogurt [confectionery ices]; cocoa; cream of tartar for culinary purposes; capers; caramels [sweets]; curry [spice]; ketchup [sauce]; kimbap; quiches; gluten prepared as foodstuff; flour-based dumplings; sweets; liquorice [confectionery]; peppermint sweets; dulce de leche; cinnamon [spice]; coffee; unroasted coffee; starch for food; crackers; custard; hominy grits; semolina; oatmeal; crushed barley; groats for human food; ice cubes; corn, milled; corn, roasted; meat pies; turmeric; couscous [semolina]; noodles; ice for refreshment; edible ices; lollipops [confectionery]; rice cakes; mayonnaise; macarons [pastries]; macaroni; maltose; hominy; piccaililli; marinades; marzipan; honey; miso [seasoning]; royal jelly; ice cream; bean meal; tapioca flour; potato flour; corn flour; nut flours; flour; wheat flour; soya flour; barley meal; mousses [confectionery]; chocolate mousses; muesli; mint for confectionery; cocoa beverages with milk; coffee beverages with milk; coffee-based beverages; cocoa-based beverages; chamomile-based beverages; tea-based beverages; chocolate beverages with milk; chocolate-based beverages; infusions, not medicinal; onigiri; crushed oats; husked oats; okonomiyaki [Japanese savory pancakes]; nutmegs [spice]; chocolate-coated nuts; stick liquorice

[confectionery]; lozenges [confectionery]; molasses for food; pâtés en croûte; pelmeni; khinkali [stuffed dumplings]; manti [stuffed dumplings]; pepper; allspice; peppers [seasonings]; pesto; biscuits; petit-beurre biscuits; bibimbap [rice mixed with vegetables and beef]; pies; pizzas; meat gravies; fondants [confectionery]; popcorn; powders for making ice cream; baking powder; mustard meal; pralines; aromatic preparations for food; condiments; meat tenderizers for culinary purposes; cereal preparations; oat-based food; propolis; gingerbread; spices; petits fours; rice pudding; puddings; cake powder; fruit coulis [sauces]; ravioli; ramen [Japanese noodle-based dish]; chewing gum; relish [condiment]; rice; instant rice; wheat germ for human consumption; spring rolls; sago; palm sugar; sugar; sesame seeds [seasonings]; linseed for culinary purposes [seasoning]; processed seeds for use as a seasoning; aniseed; agave syrup [natural sweetener]; golden syrup; candy bars; batter mixes for okonomiyaki [Japanese savory pancakes]; baking soda [bicarbonate of soda for cooking purposes]; malt for human consumption; salt for preserving foodstuffs; cooking salt; celery salt; sorbets [ices]; ham glaze; soya sauce; tomato sauce; sauces [condiments]; pasta sauce; spaghetti; seasonings; chocolate-based spreads; chocolate spreads containing nuts; preparations for stiffening whipped cream; rusks; breadcrumbs; sushi; senbei [rice crackers]; sandwiches; tabbouleh; tacos; tapioca; tarts; dough; pastry dough; almond paste; rice pulp for culinary purposes; cake batter; tortillas; garden herbs, preserved [seasonings]; chocolate decorations for cakes; vinegar; beer vinegar; ferments for dough; halvah; bread; unleavened bread; chips [cereal products]; corn flakes; oat flakes; hot dog sandwiches; flowers or leaves for use as tea substitutes; jiaozi; chicory [coffee substitute]; tea; iced tea; chutneys [condiments]; chebureki [deep-fried pies]; minced garlic [condiment]; cheeseburgers [sandwiches]; chow-chow [condiment]; saffron [seasoning]; chocolate; malt extract for food; essences for foodstuffs, except etheric essences and essential oils; husked barley; ice, natural or artificial.

(260) AM 2024 123150 A

(800) 1732972

(151) 2023 03 06

(891) 2023 03 06

(731) DI. & VE. IMMOBILIARE S.r.l.

Via Roma, 157, I-80029 Sant'Antimo (NA),  
Italy

(540)

## SEISETA

(591) Black, white

(511)

3 – Hair balsam; hair preparations and treatments; hair bleaching preparations; preparations for colouring the hair and hair bleaching preparations; hair straightening preparations; hair waving preparations; hair mas-

cara; perfumery, essential oils, fixative products for the hair (hair styling products); cosmetic hair lotions; lotions, creams and preparations for care of the face, body, scalp, nails and hair; preparations for styling and perming the hair; hair spray; hair dyes; shampoos; dry shampoos; abrasives; eau de cologne; toilet water; scented water; nail art stickers; adhesives for cosmetic purposes; adhesives for affixing false hair; adhesives for affixing false eyelashes; scouring solutions; fabric softeners; food flavourings [essential oils]; aromatics [essential oils]; flavourings for beverages [essential oils]; cake flavourings [essential oils]; astringents for cosmetic purposes; lipstick cases; bath foam; balms, other than for medical purposes; bases for flower perfumes; joss sticks; cotton swabs for cosmetic purposes; cotton balls for cosmetic purposes; pre-moistened or impregnated cleansing pads, tissues or wipes; glitter for cosmetic purposes; javelle water; massage candles for cosmetic purposes; carbides of metal [abrasives]; silicon carbide [abrasive]; polishing paper; abrasive paper; shoemakers' wax; depilatory wax; moustache wax; polishing wax; floor wax; tailors' wax; shoe wax; polish for furniture and flooring; cosmetic plasters containing sunscreen products and total sunscreen products for the skin; gel eye patches for cosmetic purposes; false eyelashes; make-up powder; mouthwashes, not for medical purposes; colorants for toilet purposes; cosmetics; cosmetics for animals; cosmetics for children; cosmetic preparations for eyelashes; eyebrow cosmetics; cosmetic creams; shoe cream; creams for leather; moisturising creams, lotions and gels; polishing creams; skin whitening creams; washing soda, for cleaning; bleaching preparations [decolorants] for cosmetic purposes; dentifrices; fingernail decals; deodorants for pets; deodorants for human beings or for animals; detergents, other than for use in manufacturing operations and for medical purposes; vaginal washes for personal sanitary or deodorant purposes; cleansers for intimate personal hygiene purposes, non medicated; detergent soap; dishwashing detergents; air fragrance reed diffusers; ethereal essences; drying agents for dishwashing machines; extracts of flowers [perfumes]; eyeliner; rouges; make-up foundations; fragrances; massage gels, other than for medical purposes; shower gels; dental bleaching gels; henna [cosmetic dye]; incense; cleansing milk for toilet purposes; scented wood; non-slipping liquids for floors; windscreen cleaning liquids; soda lye; after-shave lotions; beauty lotions; lotions for cosmetic purposes; lip glosses; shoe polish; mascara; beauty masks; eyebrow pencils; cosmetic pencils; mint for perfumery; decorative transfers for cosmetic purposes; musk [perfumery]; cosmetic kits; oils for toilet purposes; make-up; ethereal oils; oils for perfumes and scents; oils for cosmetic purposes; cotton wool for cosmetic purposes; smoothing stones; polishing stones; pumice stone; shaving stones [astringents]; alum stones [astringents]; pomades for cosmetic purposes; potpourris [fragrances]; sun-tanning pre-

parations [cosmetics]; chemical cleaning preparations for household purposes; cosmetic preparations for baths; aloe vera preparations for cosmetic purposes; collagen preparations for cosmetic purposes; douching preparations for personal sanitary or deodorant purposes [toiletries]; descaling preparations for household purposes; phytocosmetic preparations; preparations to make the leaves of plants shiny; bath preparations, not for medical purposes; laundry glaze; preparations for cleaning dentures; bleaching preparations [decolorants] for household purposes; toiletries; eye-washes, not for medical purposes; polishing preparations; cosmetic sun-protecting preparations; breath freshening preparations for personal hygiene; cosmetic preparations for slimming purposes; preparations used before, during and after shaving, including creams, gels and foams; colour-brightening chemicals for household purposes [laundry]; antistatic preparations for household purposes; cosmetic preparations for skin care; depilatory preparations; perfumery; antiperspirants [toiletries]; abrasives; substances for laundry use; laundry bleach; make-up; nail care preparations; cleaning preparations; shaving preparations; smoothing preparations [starching]; shining preparations [polish]; laundry soaking preparations; sachets for perfuming linen; wallpaper cleaning preparations; rust removing preparations; leather bleaching preparations; make-up removing preparations; perfumes; air fragrancing preparations; lipsticks; bath salts, not for medical purposes; bleaching salts; tissues impregnated with make-up removing preparations; baby wipes impregnated with cleaning preparations; shaving soap; cakes of toilet soap; soap; deodorant soap; shampoos for animals [non-medicated grooming preparations]; stain removers; nail varnish; nail varnish removers; polishing preparations; breath freshening sprays; breath freshening strips; teeth whitening strips; cloths impregnated with a detergent for cleaning; talcum powder, for toilet use; terpenes [essential oils]; cosmetic dyes; beard dyes; tissues impregnated with cosmetic lotions; turpentine for degreasing; make-up; false nails; glitter for cosmetic purposes; hair gel; shaving preparations.

8 – Razor blades; electric hair curlers; hair braiders, electric; electrical hair clippers; non-electric curling irons; hair clippers; electric hair straighteners; electric and battery-powered hair clippers; non-electric hand implements for hair curling; hand implements for hair curling; electric hair crimper; non-electric hand implements for hair curling; hair clippers for personal use, electric and non-electric; depilation appliances, electric and non-electric; apparatus for tattooing; manicure sets; pedicure sets; razor cases; tool belts [holders]; cutlery; stropping instruments; ladles [hand tools]; glaziers' diamonds [parts of hand tools]; curling tongs; scissors; table forks; milling cutters [hand tools]; nail files; nail files, electric; hair-removing tweezers; sharpening stones; eyelash curlers; razors; box cutters; na-

il clippers, electric or non-electric; paring knives; manicure sets, electric.

11 – Hair dryers; hair steamers for beauty salon use; towel steamers for hair salons; towel steamers [for hairdressing purposes]; nail lamps; regulating and safety accessories for water apparatus; heat accumulators; steam accumulators; hot air apparatus; hydro-massage bath apparatus; ionization apparatus for the treatment of water; heating and cooling apparatus for dispensing hot and cold beverages; drying apparatus and installations; water softening apparatus and installations; heating apparatus, electric; water purifying apparatus and machines; air purifying apparatus and machines; tanning apparatus [sun lamps]; solaria being suntanning apparatus, not for medical purposes; hand drying apparatus for washrooms; beverage cooling apparatus; immersion heaters; kettles, electric; germicidal burners; coffee machines, electric; heating cushions, electric, not for medical purposes; showers; heating elements; laundry dryers, electric; evaporators; fountains; water conduits installations; water distribution installations; heating installations; air filtering installations; electric lamps; helmet lamps; hot plates; electric cooktops; water heaters [apparatus]; water heaters; sterilizers.

21 – Glass bulbs [receptacles]; deodorizing apparatus for personal use; appliances for removing make-up, electric; polishing apparatus and machines, for household purposes, non-electric; aerosol dispensers, not for medical purposes; basins [receptacles]; pouring spouts; drinking glasses; cups of paper or plastic; hip flasks; isothermic bags; bottles; shaving dishes; droppers for cosmetic purposes; crystal [glassware]; comb cases; aromatic oil diffusers, other than reed diffusers; toilet paper dispensers; soap dispensers; gloves for household purposes; polishing gloves; gloves for household purposes; tea infusers of precious metal; material for brush-making; fitted vanity cases; works of art of porcelain, ceramic, earthenware, terra-cotta or glass; cloths for cleaning; polishing leather; make-up brushes; hair colouring brushes; combs; electric combs; table plates; powder puffs; porcelain ware; powder compacts; shaving brush stands; soap holders; soap holders; sponge holders; table napkin holders; lotion containers, empty, for household use; buckets; brushes; hairbrushes; eyelash brushes; eyebrow brushes; toilet brushes; toothbrushes; nail brushes; toilet sponges; make-up sponges; dishcloths; cosmetic utensils; perfume vaporizers; applicator sticks for applying makeup; appliances for removing make-up, non-electric; facial sponges for applying make-up; electric hair combs; hair combs; electric rotating hair brushes; electrically heated hair brushes; bowls for hair dye; hair colouring application bottles; combs for back-combing hair; electric rotating hair brushes; hot air hair brushes.

26 – Hair extensions; hair extensions; wigs; hairpieces for japanese hair styling [kamishin]; toupees; false ha-

ir; false hair for japanese hair styling (kamoji); false hair; hair nets; synthetic hair; human hair; snap clips [hair accessories]; twistors [hair accessories]; electric hair curlers; decorative articles for the hair; false moustaches; false beards; sticks for use in styling the hair; sticks for use in decorating the hair; hair curling papers; foam hair rollers; hair curlers, electric and non-electric, other than hand implements; artificial corsages; ornamental novelty buttons; hair bands; decorative articles for the hair; hair coloring foils; bows for the hair; wreaths of artificial flowers; hair colouring caps; hatbands; ornamental novelty badges [buttons]; hair bands; hair barrettes; hair bands; clasps for clothing; hair curl clips; hair barrettes; hair curling pins; top-knots [pompoms]; bows for the hair; paper bows [hair decorations]; artificial flowers; artificial fruit, flowers and vegetables; hair pins; sewing kits; aluminum foil sheets for hair frosting; sequins; lace; hair barrettes; tassels [haberdashery]; silk ribbons; webbing tapes; elastic ribbons; ribbons for the hair; hatbands; toupee tape for affixing a toupee to the head; hair ornaments, hair rollers, hair fastening articles, and false hair; hair ornaments in the form of combs; hat ornaments; spangles for decoration, not of precious metal; ornamental combs for japanese hair styling (marugushi); beads for trimming; hair nets; false beards; false moustaches; artificial plants, other than christmas trees; beard nets; sewing boxes; epaulettes; pins; hair pins; hat pins, other than jewellery; hair pins; toupees; synthetic hairpieces; back-hairpieces for japanese hair styling (tabomino); toupees; embroidered patches; braids; plaited hair; hair weaves; fibres for use as replacement hair.

35 – Provision of an online marketplace for buyers and sellers of goods and services; presentation of goods on communication media, for retail purposes; business advice and consultancy relating to franchising; business assistance relating to franchising; assistance in business management within the framework of a franchise contract; business management advisory services relating to franchising; assistance in product commercialization, within the framework of a franchise contract; bill-posting; rental of vending machines; rental of advertising time on communication media; updating and maintenance of data in computer databases; shop window dressing; commercial administration of the licensing of the goods and services of others; administration of consumer loyalty programs; administration of programmes enabling participants to obtain discounts on goods and services through the use of a membership card; administration of loyalty programs involving discounts or incentives; business management assistance; providing assistance in the management of industrial or commercial enterprises; compiling indexes of information for commercial or advertising purposes; compilation of information into computer databases; consultancy regarding advertising communication strategies; consultancy regarding public relations communication strategies; business

management consultancy; book-keeping; dissemination of advertisements; demonstration of goods; distribution of samples; direct mail advertising; invoicing; provision of commercial and business contact information; business management of reimbursement programmes for others; providing business information via a web site; commercial information and advice for consumers in the choice of products and services; marketing; negotiation of business contracts for others; negotiation and conclusion of commercial transactions for third parties; rental of office machines; organization of exhibitions for commercial or advertising purposes; organization of trade fairs for commercial or advertising purposes; organization of fashion shows for promotional purposes; search engine optimization for sales promotion; production of advertising films; development of advertising concepts; sales promotion for others; advertising; writing of publicity texts; marketing research; market studies; import-export agency services; procurement services for others [purchasing goods and services for other businesses]; commercial intermediation services; telemarketing services; retail or wholesale services for pharmaceutical, veterinary and sanitary preparations and medical supplies; retail services for pharmaceutical, veterinary and sanitary preparations and medical supplies; retail and/or wholesale services in relation to the following goods: toilet utensils, mirrors (looking glasses), brushes, combs, cosmetic applicators and brushes, bonnets, disposable gloves; retail and/or wholesale services in relation to the following goods: tints for the hair, shampoos, hair rinses (shampoo-conditioners), hair lotions, hair care cosmetics, hair care preparations; retailing or wholesaling of hair ornaments, hair fasteners, artificial flowers; retailing or wholesaling of wigs, hair extensions, false hair, human hair; retailing or wholesaling of hair dryers, electric curling tongs, electric hair clippers, hair clippers; electric hair straighteners, electric hair crimpers, manicure sets, pedicure sets; retailing or wholesaling of dentifrices; retail and/or wholesale services in relation to the following goods: cleaners and disinfectants; retail and/or wholesale services in relation to the following goods: confectionery, cosmetic supplements; retailing and wholesaling of cosmetic products; retailing and wholesaling of basins; retailing or wholesaling relating to clothing; retailing or wholesaling relating to bags and handbags; retailing or wholesaling of paper tissues, tablemats of paper; retailing or wholesaling relating to paper and stationery; retailing or wholesaling relating to food and beverages; retailing or wholesaling relating to cosmetic preparations, toiletries, dentifrices, soaps and detergents; online retail store services relating to cosmetic and beauty products; online ordering services; bringing together, for others, of a variety of goods (excluding the transport thereof), enabling customers to conveniently view and purchase those goods, namely articles for hair treatments, equipment for hairdressers, hair extensions, false hair, terminal lugs

and hair decorations, combs, mirrors (looking glasses), hair dryers, straightening irons.

---

(260) AM 2024 123151 A

(800) 1733075

(151) 2022 11 29

(891) 2022 11 29

(731) Euro Games Technology Ltd.

4, "Maritsa" Str., "Vranya-Lozen-Triugulnika",  
BG-1151 Sofia, Bulgaria

(540)

## **Joker Reels**

(591) Black, white

(511)

9 – Operating computer software for main frame computers; monitors (computer hardware); computer hardware; apparatus for recording images; monitors (computer programs); computer game programs; computer programs for recorded games; apparatus for recording, transmission or reproduction of sound or images; communications servers [computer hardware]; electronic components for gambling machines; computer application software featuring games and gaming; computer software for the administration of on-line games and gaming; computer hardware for games and gaming; computer hardware and software for gambling, gambling machines, gambling games on the Internet and via telecommunication network; computer systems; computer operating system software; computer terminals; interactive terminals; multimedia terminals; electronic terminals for generating lottery tickets; interactive touch screen terminals; computer touchscreens; electronic display panels; liquid crystal display screens; digital signage display panels; multimedia software; multimedia apparatus and instruments; interactive multimedia software for playing games; computer screens; LCD large-screen displays; liquid crystal displays [LCDs] for home theatres; media streaming software; computer application software for streaming audio-visual media content via the Internet; software; computer gaming software; computer software packages; computer operating system software; computer software, recorded; software drivers; virtual reality software; games software; entertainment software for computer games; computer programs for network management; electronic lottery tickets; computer software platforms; operating systems; interactive computer systems; operating system programs; computer game software for use with on-line interactive games; games software for use with video game consoles.

28 – Gaming machines for gambling; chips for gambling; mah-jong; arcade games; gambling machines operating with coins, notes and cards; games; electronic games; parlor games; gaming chips; gaming tables; slot machines [gaming machines]; LCD game machines; slot machines and gaming devices; coin-oper-

rated amusement machines; roulette chips; poker chips; chips and dice [gaming equipment]; gaming equipment for casinos; roulette tables; gaming roulette wheels; casino games; gambling machines and amusement machines, automatic and coin-operated; coin-operated amusement machines and/or electronic coin-operated amusement machines with or without the possibility of gain; boxes for coin-operated amusement machines, slot machines and gaming machines; electronic or electrotechnical amusement machines and apparatus, gaming machines, coin-operated entertainment machines; housings for coin-operated amusement machines, gaming equipment, gaming machines, machines for gambling; electropneumatic and electrical gambling machines (slot machines); lottery games; electronic targets for games and sports; video game consoles.

41 – Gambling; entertainment services related to gambling; gaming services for entertainment purposes; casino, gaming and gambling services; training in the development of software systems; provision of gaming equipment for gambling halls; providing casino equipment [gambling]; gaming machine entertainment services; providing casino facilities [gambling]; amusement arcade services; amusement arcades; games equipment rental; rental of gaming machines; providing amusement arcade services; rental of gaming machines with images of fruits; editing or recording of sounds and images; sound recording and video entertainment services; hire of sound reproducing apparatus; provision of gaming equipment for casinos; providing of casino facilities; online gambling services; casino management services; provision of gaming facilities, gaming hall facilities, internet casinos and online gambling services; lottery services; organization of lotteries; provision of games by means of a computer based system; online interactive entertainment; on-line casino services; online game services through mobile devices; providing online entertainment in the nature of game tournaments; providing on-line information in the field of computer gaming entertainment; sports betting services; online sports betting services; providing on-line computer games and games of chance; rental of video game consoles; providing on-line computer games and games of chance.

(260) AM 2024 123152 A

(800) 1733076

(151) 2022 12 19

(891) 2022 12 19

(731) SWM Luxembourg

17, rue Edmond Reuter, L-5326 Contern,  
Luxembourg

(540)

**MATIV**

(591) Black, white

(511)

1 – Chemical additives for use in the manufacture of pollution control devices; chemical preparations in the nature of filtering materials; chemicals and unprocessed plastics, namely polymers for use in encapsulating solar and photovoltaic cells; chemical substances being engineered materials for heat transfer or thermal management applications; plastic adhesives for industrial purposes; polymer compositions used in the manufacture of commercial and industrial goods; chemical stabilizers placed in polypropylene mesh under soil, sand and similar growing media for facilitating and promoting the growth of grass and turf; vegetable substances in the nature of filtering materials; chemical substrates and chemical preparations in the nature of accelerators for use with decorative and furniture construction materials, namely, for use with printable decorative overlays, saturated paper and dry film glue lines made of paper, utility, decorative and furniture construction materials, namely, chemical preparations in the nature of accelerators for veneer and tambour, chemical substrates in the nature of glue accelerators for decorative and furniture construction materials, namely, for saturated non-woven material and fleece; plastics in the form of powders, liquids or pastes; nitrate paper, sensitized paper, blueprint paper.

5 – Adhesive tapes for medical purposes; antibacterial/antimicrobial tape for the purpose of destroying bacteria, mold and mildew; bandages for dressings; bandages for dressings used for catheters; medical adhesive tapes; medical dressings; medical dressings made of polyurethane film and paper composite; medical plasters; wound dressings; adhesive bandages; surgical bandages; elastic bandages [dressings]; surgical dressings; compression bandages [dressings]; transdermal patches that facilitate the delivery of drugs; transdermal patches for use with medical devices in the treatment of diseases for patients sold without medication.

16 – Adhesive materials for office use; adhesive paper tapes for stationery purposes; adhesive tapes for stationery purposes; paper for use in the manufacture of battery separators; business forms, carbon paper and laminated paper for use in the manufacture of furniture; correcting tapes for type; paper in the form of sheets for use in the manufacture of vehicles wraps, fleet graphics, outdoor signage and building wraps; paper; paper products, namely filter papers, printing paper, photo-imaging paper, carbon paper and paper for the manufacture of bibles; paper wrappers for drinking straws; paper sheets used for laminating to particleboard for use in the manufacture of furniture and wall paneling; plastic adhesives for household or domestic use; self-adhesive plastic sheets for lining shelves; plastic shelving display liner formed from or incorporating one or more degradable, biodegradable or oxo-biodegradable polymers, namely plastic self-adhesive sheets for lining display shelves; plastic bags

formed from or incorporating one or more degradable, biodegradable or oxo-biodegradable polymers for packaging goods, material handling, food handling and the collection and harvesting of fruits and nuts; self-adhesive plastic sheets for lining display shelves; sticky tape for stationery purposes; stationery, namely plastic film for digital printing; wine label paper; paper for printing and writing; thermal transfer paper; envelopes; latex saturated paper for publishing and packaging products; papers consisting primarily of fibers, for publishing and packaging products; paper materials for the publishing and packaging industries; stationary being paper and bond paper; heat transfer paper; mailing labels; translucent printing paper; stationery, namely, paper stationery, writing stationery; color paper; colored card stock; white paper with pre-printed design; colored paper with pre-printed design; printed paper; dye sublimation paper; backing paper for abrasives; fine and specialty papers, namely printing and writing papers; coated paper namely for the manufacturing of labels or tags; crepe paper; tape base paper; latex saturated release paper; latex impregnated printing paper; text and cover paper; translucent paper; paper for use in the manufacture of books and book covers; uncoated paper; coated paper, particularly suitable for the manufacture of labels, tags, books, brochures, maps and packages; strengthened and coated paper-based material used as a substitute or alternative for plastic for the manufacture of stored value cards; paper, cardboard; coated paper; transparencies and transparency film; printed matter; book-binding materials; photographs; stationery; adhesives for stationery or household purposes; artists' material; paint brushes; typewriters and office requisites (except furniture); instructional and teaching material (except apparatus); plastic materials for packaging (not included in other classes); printers' type; printing blocks; coated paper and paper boards; uncoated paper and paper boards; carbonless copying paper; bags and articles for packaging of paper, cardboard or plastics; containers and cartons made of paper and/or of paper boards; school supplies; writing pads; binders; notebooks; files (office requisites); folders (stationery); document and stationery-type portfolios; index cards and dividers; book covers; report covers; carton blanks; cartons; packaging materials; books; pamphlets; reproductions of images; copying paper, handwriting specimens for copying and plastic coated copying paper; paper, in particular letter paper, and articles made of paper, cardboard and cardboard articles, printed matter, newspapers and periodicals, books, bookbinding articles, photographs; stationery, adhesive materials for stationery; paperboard; pressed paper; art paper; construction paper; corrugated paper; craft paper; fiber paper; filter paper; gummed paper; laminated paper; masking paper; parchment paper; printing paper; recycled paper; paper for reproduction machines; safety paper; synthetic paper; wrapping paper; writing paper; latex saturated paper; paper of

non-woven materials; paper book covers; archival paper and paperboard; packing paper for cushioning or padding; edge reinforcing and binding paper; book bindings; book binding tape; paper tape; picture framing mat boards; printing papers, writing papers, notebooks, text and cover papers, scrapbook papers, stationery, letterhead, envelopes, business cards, index cards, memo paper, office paper pads, writing pads; heat transfer papers; tape base papers, latex saturated release papers; medical packaging papers; top quality letter paper; top quality text paper; top quality paper for books; top quality envelopes; top quality paper labels and top quality packaging paper, expressly excluding, albums to collect, labels, folders, brochure, packaging; plastic bags for the transport of materials in bulk; napkin paper; stickers; adhesives for stationery or household purposes; framed pictures; pens; pencils; posters; trading cards; calendars, calendars and holiday gift cards; paper tablecloths; magazines; photo prints; greetings cards; transfers [decalcomanias], heat transfer paper; printed event programs; illustration boards; comic books; bookmarks; tablecloths of paper; sticker albums; notepads; address book; appointment books; diaries, pencil sharpeners, non-magnetically encoded telephone calling cards, postal stamps, personal checks, cheque book covers, senders' labels of paper, paper sacks, banners; door signboards of paper; party bags of paper; rulers, erasers; window decals; collector's postage stamps; lithographs; gift packaging, paper cake decorations; paper, paper articles, card, cardboard, cardboard articles; stationery, writing paper, bond paper, printed matter; adhesive materials for stationery or household purposes; artists' materials; office requisites, other than furniture; instructional and teaching material, other than apparatus; plastic materials for packaging purposes; paper stock; paperboard blanks; printing paper; reproduction paper; cushioning or padding made of paper for packing purposes; picture framing mat boards; chemically saturated paper that is to be applied to a garment before printing directly onto the garment; saturated papers, coated papers, and impregnated papers for a variety of tapes; glue-glycerine saturated paper, and latex saturated paper; impregnated and coated papers; latex saturated paper in the laminated form; papers coated with resinous and plastic films especially suitable for use as a covering for the following items: decorative boxes, books, albums, loose leaf binders, stationery items, leather novelties, luggage and small leather goods; antimicrobial file folders; plastic film for wrapping; plastic film for packaging; films for wrapping foodstuffs; polythene films for wrapping or packaging; adhesive tapes [stationery]; paper and cardboard; bookbinding material; stationery and office requisites, except furniture; drawing materials and materials for artists; paintbrushes; instructional and teaching materials; plastic sheets, films and bags for wrapping and packaging; printers' type, printing blocks; adhesive plastic film for wrapping.

17 – Acoustical insulation for buildings; adhesive tapes for use in commercial or industrial manufacturing; adhesive coated amalgamating plastic tapes; adhesive packing tape for industrial or commercial use; adhesive tape for industrial or commercial use; adhesive tape for sealing cartons for industrial or commercial use; adhesive tapes for use in commercial or industrial manufacturing and adhesive sealants, other than for stationery and not for medical or household purposes; amalgamating plastic tapes; amalgamating plastic tapes being adhesive coated for industrial and commercial use; cable insulating tapes; cellulose acetate film used in the manufacture of pressure sensitive adhesive tape; drywall joint tape; duct tape; electrical insulating tape; electrical tape; films and sheets made from polymers, thermoplastic polyurethane (TPU) and extruded plastic for use in the manufacture of optical interlayers in the production of laminated glass and glass composites and in the protection of painted or metal surfaces and semi-processed plastics in the nature of film and sheet or thermoplastic polyurethane (TPU) or other polymers extruded for use and in general commercial markets; filtering materials being semi-processed foams or films of plastic for industry; flexible plastic tubing for general use; floor marking tape; insulating tapes; insulation tape for use on pipes and other air conditioning, refrigeration, heating and ventilation equipment; non-adhesive and adhesive tapes and films for industrial and commercial use; non-adhesive and adhesive tapes and films in the nature of anti-slip tape for flooring applications; non-metal weld backing tapes; pipe joint tape; plastic film for commercial or industrial purposes, namely plastic film for use with screen printing; plastic tubing for general manufacturing use; plastic sheeting used in the construction industry as water run-off containment barriers; adhesive-coated plastic sheets for use in manufacture of industrial towels, golf towels, quilt backing, construction enclosure film, crop cover and reinforced bags made of paper, tissue, film, foil and fabric materials; plastic sheets for use in manufacture of reinforcements for paper, films and non-woven products; semi-processed plastic sheets for paper, films and non-woven products; plastic tubing for general use; polythene coated plastic tapes; polythene coated plastic tapes for industrial and commercial use; polythene coated plastic waterproof tapes; polythene coated plastic waterproof tapes for industrial and commercial use; polyurethane film for use in glass laminations; profile extruded solid and hollow shafts, namely thermoplastic and fluoropolymer rods, cores, tubes and shafts for general manufacturing use and as conduits for general manufacturing use; protective adhesive tapes for industrial or commercial use; protective coatings, namely premium hard coat polycarbonate plastic and polyester plastic films for printing on substrates for opto-electric applications, namely application to flat panel or LCD displays; protective plastic film for painted surface; protective web sleeving of

plastic used to insulate and protect items during shipment; sealants in the nature of cloth tapes; seam tape for building; self-amalgamating plastic tapes; self-amalgamating tape; semi-finished apertured plastic film for use in medical and hygienic products; tapes with adhesive backing for industrial or commercial use; thermoplastic polyurethane (TPU) film and sheet, as well as film and sheet from other high-performance polymers, that are extruded for use in medical applications, including but not limited to medical textiles, transdermal devices, wound care devices and other general medical devices; uncoated adhesive cloth tapes for industrial and commercial use; wallboard joint tape; water swellable plastic tapes for protection from water ingress; water swellable plastic tapes for protection of water ingress; waterproof adhesive cloth tapes for industrial and commercial use; waterproof plastic tapes and films; electrical insulation tape; masking tape; adhesive tape for industrial and commercial work; pressure sensitive tape; adhesive tapes for industrial purposes; industrial adhesive tapes for reinforcing edges; electrical insulating tapes; masking tapes; adhesive tapes for industrial and commercial work; pressure sensitive tapes; edge reinforcing tapes for industrial use; electro-insulating tape, adhesive tape, adhesive tape for industrial and commercial work, pressure-sensitive tape (hand-sensitive), insulating tape, adhesive bands for reinforcing borders; edge reinforcing tapes for industrial use; recycled plastics; plastics insulating materials; plastics in extruded form for use in manufacture; recycled compound plastics; semi-processed plastics; insulating materials of plastics; plastic fibers [other than for textile use]; plastics in extruded form for use in production and industrial applications; semi-worked plastic substances; plastic substances, semi-processed; plastic materials in the form of moldings for use as cushioning materials in packaging; plastic spring insulators as components for cushion constructions, mattresses and box springs; plastic spring insulators for mattresses and cushions; electrical insulation paper.

19 – Building materials, namely, composite panels composed primarily of nonmetal materials; erosion control netting formed from or incorporating one or more degradable, biodegradable or oxo-biodegradable polymers for use as a reinforcing material for growing and transplanting grass sod; erosion control netting formed from or incorporating one or more degradable, biodegradable or oxo-biodegradable polymers for construction and non-construction use; erosion control netting, not of metal; erosion control sheeting or fabric for construction use; geotextiles for erosion control; gutter guards; non-metal fencing in the nature of plastic netting; non-metallic building materials, namely, erosion control sheeting, netting or fabric formed from or incorporating one or more degradable, biodegradable or oxo-biodegradable polymers for construction and non-construction use; non-metallic landscape and building products, namely pavers; plastic fences;

wood and veneer wood for use in the manufacture of furniture and decorative panels; non-metallic building materials; non-metallic fencing; non-metallic fences; plastic fences; erosion control netting for use as a reinforcing material for growing and transplanting grass sod.

22 – Elastic netting for meat products; elastic netting; extruded plastic netting for wrapping around pallets or goods on pallets for the purpose of shipping, transporting or storage; feather control netting for poultry and turkey trucks; nets of thermoplastic polyurethane (TPU) or polymers for use in textile lamination; food handling netting in the nature of elastic netting for meat products and produce; MDPE or polypropylene netting for use in the wrapping and transportation of trees; netting [not of metal or asbestos]; netting for the collection and harvesting of fruits and nuts; netting for use in the wrapping and transportation of trees; non-metal net wrapping for pallets; non-woven polymeric fibers for textile use; pest barrier netting, rodent and bird control netting for commercial purposes; plastic netting employed as a backing for turf; plastic netting for control of pests for agricultural purposes; plastic netting for material handling, namely, plastic braces and harnesses for handling loads; plastic netting for material handling; plastic netting for the collection and harvesting of fruits and nuts; bags [sacks] of synthetic plastic materials for bulk storage; plastic netting formed from or incorporating one or more degradable, biodegradable or oxo-biodegradable polymers employed as a backing for turf; plastic netting formed from or incorporating one or more degradable, biodegradable or oxo-biodegradable polymers for packaging goods, material handling, food handling and the collection and harvesting of fruits and nuts; plastic netting formed from or incorporating one or more degradable, biodegradable or oxo-biodegradable polymers for packaging goods; plastic netting in tubular form for containment of various materials and deployed as containment barriers; plastic netting or mesh for industrial uses, namely, for protecting HVAC units and pool heaters from damage; plastic screening net; processed flax fibres for use in bio-composite applications; reinforcing and structural support netting formed from or incorporating one or more degradable, biodegradable or oxo-biodegradable polymers for the manufacture of textiles for packaging goods; rockfall prevention nets; rodent control and bird control netting for crop protection; polypropylene mesh nets placed in soil, sand and similar growing media to facilitate and promote the growth of grass and turf; tents, tarpaulins; nets; chemical fiber nettings; elastic netting for edible goods, foodstuffs, meats, poultry and seafood products; polyester plastic netting for packaging goods; non-metallic nets for wrapping pallets; non-metallic nets for wrapping bales; disposable bulk container liners; bags [sacks] of synthetic plastics for bulk storage; polyethylene sacks for the storage of materials in bulk; tarpaulins, aw-

nings, tents, and unfitted vehicle covers; plastic bags [sacks] for the transport of bulk materials; plastic bags [sacks] for the storage of bulk materials; polythene sacks for the transport of materials in bulk; polythene sacks for the storage of materials in bulk; polythene bags [sacks] for the transport of materials in bulk; polythene bags [sacks] for the storage of materials in bulk; plastic netting for general manufacturing use; plastic netting for industrial applications and general use in the industrial arts.

34 – Cigarette paper; pocket machines for rolling cigarettes for use as smoking articles; rolling cigarettes, cigars and cigarillos; reconstituted tobacco; wrapping papers for cigarettes, cigarillos, and cigars; smoker's articles, namely cigarette paper made of hemp; smokers' articles; absorbent paper for tobacco; absorbent paper for tobacco pipes; books of cigarette papers; cigarette rolling papers; tipping paper for cigarettes; filters for tobacco products; cigarette filters; tobacco filters; tobacco, raw or manufactured; cigarette tobacco; tobacco powder; tobacco substitutes; rolling tobacco; leaf tobacco; smokeless tobacco; flavored tobacco; smoking tobacco; tobacco products; humidifiers for tobacco; flavourings for tobacco; cigarettes containing tobacco substitutes; articles for use with tobacco; flavourings, other than essential oils, for tobacco substitutes; hand held machines for injecting tobacco into paper tubes; natural tobacco filler substitute; tobacco blends for cigarettes; tobacco blends for roll-your-own cigarettes.

---

(260) AM 2024 123155 A  
 (800) 1013406  
 (151) 2009 07 14  
 (891) 2023 04 28  
 (731) IEMME S.R.L. più brevemente I.M. S.R.L.  
 Via Germania 2, I-20083 Gaggiano (MI),  
 Italy  
 (540)

## ENVIE

(591) Black, white  
 (511)  
 3 – Hair care and beauty products, namely, shampoos, aftershampoos, colour dying preparations, conditioners and hair creams.

---

(260) AM 2024 123156 A  
 (800) 1323866  
 (151) 2016 10 18  
 (891) 2023 05 18  
 (731) Apple Inc.  
 One Apple Park Way, Cupertino CA 95014,  
 USA  
 (540)

## APPLE

(591) Black, white



(511)  
28 – Toys, games and playthings, namely, hand-held units for playing electronic games; hand-held units for playing video games; stand alone video game machines; electronic games other than those adapted for use with television receivers only; LCD game machines; electronic educational game machines for children; toys, namely, battery-powered computer games with display screens which feature animation and sound effects.

(260) AM 2024 123158 A  
(800) 1436399  
(151) 2018 07 09  
(891) 2023 04 14  
(731) Novotech (Australia) Pty Ltd  
L3, 235 Pyrmont St, PYRMONT NSW 2009,  
Australia

(540)  


(591) Turquoise, white  
(531) 26.11.01; 26.11.13; 27.05.09; 27.05.10;  
27.05.22; 29.01.11

(511)  
42 – Clinical trials; conducting and managing clinical trials, including clinical trials for pharmaceuticals, biotechnology and other related industries; conducting clinical trials for others (scientific research); providing information about the results of clinical trials, including clinical trials for pharmaceuticals and biotechnology; scientific research; medical research (scientific research for medical purposes); preparation of statistics for scientific research; preparation of biostatistics for scientific research in the fields of pharmaceuticals, biotechnology and other related industries; provision of information and data relating to medical and scientific research for pharmaceuticals, biotechnology and other related industries; database design and development services to process data collected from clinical trials; medical research services, namely medical monitoring services for research in the fields of pharmaceuticals, biotechnology and other related industries; quality audits; preparation of reports and applications to regulators relating to aspects of clinical trials; provision and exchange of information and data exchange between scientists, manufacturers and health authorities relating to pharmaceutical and biotechnology quality standards; technical writing of clinical report forms which are required by clinical trial drug protocols.

(260) AM 2024 123162 A  
(800) 1531449  
(151) 2020 02 07  
(891) 2023 05 12  
(731) INDACO S.P.A. (SOCIETA' PER AZIONI)  
S.S. 87 Zona Industriale Localita' Pscarola,  
I-80023 CAIVANO (NAPOLI), Italy

(540)

## COLFRESH

(591) Black, white  
(511)  
5 – Balsamic preparations for medical purposes; candy, medicated; cachou for pharmaceutical purposes; rubber for dental purposes; pharmaceutical preparations; vitamin preparations; eucalyptol for pharmaceutical purposes; eucalyptus for pharmaceutical purposes, fennel for medical purposes; medicinal infusions; medicinal tea; gelatine for medical purposes; gum for medical purposes; medicinal herbs; liquorice for pharmaceutical purposes; milk ferments for pharmaceutical purposes; malted milk beverages for medical purposes; lactose for pharmaceutical purposes; milk sugar for pharmaceutical purposes; chewing gum for medical purposes; mangrove bark for pharmaceutical purposes; mint for pharmaceutical purposes; menthol; pepsins for pharmaceutical purposes; cachets for pharmaceutical purposes; quinquina for medical purposes; quinine for medical purposes; chinoline for medical purposes; medicinal roots; sugar for medical purposes; dietetic foods adapted for medical purposes; almond milk for pharmaceutical purposes; stick liquorice for pharmaceutical purposes; biological preparations for medical purposes; candy for medical purposes; royal jelly for pharmaceutical purposes; medical preparations for slimming purposes; gamboge for medical purposes; mineral food supplements; mouthwashes for medical purposes; nutritional supplements; antioxidant pills; royal jelly dietary supplements; propolis dietary supplements; enzyme dietary supplements; glucose dietary supplements; protein dietary supplements; plant extracts for pharmaceutical purposes; pharmaceuticals; herbal extracts for medical purposes; slimming pills; dietary supplements with a cosmetic effect; nicotine gum for use as an aid to stop smoking.

30 – Pasta; aniseed; star aniseed; coffee flavorings; aromatic preparations for food; seasonings; peppermint sweets; sweetmeats [candy]; cocoa; coffee; unroasted coffee; vegetal preparations for use as coffee substitutes; cakes; cinnamon [spice]; capers; caramels [candy]; curry [spice]; cereal preparations; chewing gum; tea; chocolate; marzipan; cloves [spice]; condiments; confectionery; chicory [coffee substitute]; corn flakes; maize flakes; popcorn; preparations for stiffening whipped cream; ice cream; pancakes; essences for foodstuffs, except etheric essences and essential oils; turmeric; natural sweeteners; spices; flour; wheat flour; starch for food; ferments for pastes; fondants [confectionery]; petits fours [cakes]; sugar; flavorings,

other than essential oils, for cakes; cake powder; cake dough; ginger [spice]; glucose for culinary purposes; gluten prepared as foodstuff; coffee beverages with milk; maltose; molasses for food; golden syrup; mint for confectionery; honey; pastilles [confectionery]; pastries; peppers [seasonings]; pralines; liquorice [confectionery]; vanilla flavorings for culinary purposes; vanilla flavourings for culinary purposes; vanillin [vanilla substitute]; almond confectionery; peanut confectionery; food flavorings, other than essential oils; crushed oats; husked oats; oat-based food; oat flakes; stick liquorice [confectionery]; candy; malt extract for food; malt for human consumption; bee glue; relish [condiment]; fruit jellies; palm sugar; pastry dough; chocolate decorations for cakes; candy decorations for cakes; chocolate-coated nuts; zephyr [confectionery]; zefir [confectionery]; pastila [confectionery]; mints for breath freshening; chewing gum for breath freshening.

(260) AM 2024 123163 A

(800) 1544418

(151) 2020 05 12

(891) 2023 01 11

(731) Obschestvo s ogranichennoy otvetstvennostyu SDEK-Global  
Krivoshchekovskaya, d. 15, k. 1, e. 1, 2,  
Novosibirsk, RU-630007 Novosibirskaya  
oblast, Russian Federation

(540)



(591) Green, light green, white and black

(531) 01.05.01; 24.15.21; 27.05.01; 29.01.13

(511)

35 – Arranging subscriptions to telecommunication services for others; import-export agency services; commercial information agency services; advertising agency services; cost price analysis; rental of advertising space; business auditing; financial auditing; business intermediary services relating to the matching of potential private investors with entrepreneurs needing funding; employment agency services; computerized file management; book-keeping; invoicing; demonstration of goods; transcription of communications [office functions]; opinion polling; market studies; business investigations; business research; marketing research; personnel recruitment; business management and organization consultancy; business organization consultancy; business management consultancy; personnel management consultancy; professional business consultancy; consultancy regarding advertising communication strategies; consultancy regarding public relations communication strategies; layout services for advertising purposes; marketing; marketing in the framework of software publishing; targeted marketing; business management of performing artists; busi-

ness management of sports people; writing of résumés for others; scriptwriting for advertising purposes; news clipping services; updating and maintenance of information in registries; updating and maintenance of data in computer databases; updating of advertising material; word processing; online retail services for downloadable and pre-recorded music and movies; online retail services for downloadable ring tones; online retail services for downloadable digital music; organization of exhibitions for commercial or advertising purposes; arranging newspaper subscriptions for others; organization of fashion shows for promotional purposes; shop window dressing; business appraisals; payroll preparation; data search in computer files for others; sponsorship search; administrative assistance in responding to calls for tenders; business management assistance; commercial or industrial management assistance; providing business information via a web site; providing commercial and business contact information; web indexing for commercial or advertising purposes; economic forecasting; auctioneering; retail services for works of art provided by art galleries; sales promotion for others; promotion of goods and services through sponsorship of sports events; production of teleshopping programmes; production of advertising films; office machines and equipment rental; rental of advertising time on communication media; publicity material rental; rental of billboards [advertising boards]; rental of vending machines; rental of sales stands; rental of photocopying machines; publication of publicity texts; radio advertising; billposting; distribution of samples; dissemination of advertising matter; direct mail advertising; registration of written communications and data; writing of publicity texts; advertising; online advertising on a computer network; advertising by mail order; television advertising; compilation of statistics; compilation of information into computer databases; business inquiries; systemization of information into computer databases; advisory services for business management; negotiation of business contracts for others; negotiation and conclusion of commercial transactions for third parties; compiling indexes of information for commercial or advertising purposes; tax preparation; drawing up of statements of accounts; telemarketing services; psychological testing for the selection of personnel; wholesale services for pharmaceutical, veterinary and sanitary preparations and medical supplies; retail services for pharmaceutical, veterinary and sanitary preparations and medical supplies; interim business management; business management of hotels; business management for freelance service providers; business project management services for construction projects; commercial administration of the licensing of the goods and services of others; business management of reimbursement programs for others; administration of consumer loyalty programs; administration of frequent flyer programs; administrative processing of purchase orders; public relations; competitive inte-

lligence services; modelling for advertising or sales promotion; typing; market intelligence services; appointment reminder services [office functions]; web site traffic optimization; tax filing services; search engine optimization for sales promotion; appointment scheduling services [office functions]; gift registry services; price comparison services; secretarial services; procurement services for others [purchasing goods and services for other businesses]; shorthand; outsourcing services [business assistance]; telephone answering for unavailable subscribers; photocopying services; business efficiency expert services; providing business information; providing commercial information and advice for consumers in the choice of products and services; organization of exhibitions and trade fairs for commercial or advertising purposes; commercial intermediation services; provision of an online marketplace for buyers and sellers of goods and services; presentation of goods on communication media, for retail purposes; outsourced administrative management for companies; administrative services for the relocation of businesses; pay per click advertising.

(260) AM 2024 123164 A

(800) 1724875

(151) 2023 03 03

(891) 2023 04 20

(731) Fontaine Limited

c/o Tmf Group 8th Floor, 20 Farringdon  
Street, London EC4A 4AB, United Kingdom

(540)

## CARMINA

(591) Black, white

(511)

3 – Perfumes; fragrances; eau de parfum; toilet water; colognes; shaving preparations; shaving gels; shaving soaps; shaving foams; aftershave preparations; shaving balms; lotions for beards; non-medicated toiletry preparations for personal use, namely, soaps, bath and shower preparations, body lotions and body oils; shampoos, conditioners and oils for the hair; oils for grooming; essential oils; scented oils; deodorants for personal use; room fragrances.

(260) AM 2024 123237 A

(800) 1733239

(151) 2023 04 18

(891) 2023 04 18

(731) Zakrytoe aktsionernoe obshchestvo "Myasnaya Galereya"

ul. Poliny Osipenko, d. 65, of. 10, RU-600009  
g. Vladimir, Russian Federation

(540)

## Naggetos

(591) Black, white

(511)

29 – Ajvar being preserved peppers; aloe vera prepared for human consumption; alginates for culinary purposes; anchovy, not live; peanuts, prepared; artichokes, preserved; white of eggs; beans, preserved; soya beans, preserved, for food; broth; ginger jam; ham; fatty substances for the manufacture of edible fats; toasted laver; edible birds' nests; sea-cucumbers, not live; peas, preserved; mushrooms, preserved; guacamole [mashed avocado]; game, not live; gelatine; meat jellies; jellies for food, other than confectionery; fruit jellies [jams]; yolk of eggs; coconut fat; bone oil for food; lard; suet for food; edible fats; julienne being baked poultry or mushroom dish with sour cream; curd; fruit-based snack food; milk substitutes; charcuterie; raisins; caviar; aubergine paste; vegetable marrow paste; fish roe, prepared; yogurt; galbi being grilled meat dish; sauerkraut; kefir [milk beverage]; kimchi [fermented vegetable dish]; isinglass for food; clams, not live; potato-based dumplings; milk shakes; black pudding; onion rings; arrangements of processed fruit; compotes; meat, tinned; vegetables, tinned; fish, tinned; fruits, tinned; broth concentrates; corn dogs; gherkins; meat cutlets; frozen meat cutlets; shrimps, not live; prawns, not live; buttercream; croquettes; silkworm chrysalis for human consumption; sweet corn, processed; kumys; chicken wings; spiny lobsters, not live; lecithin for culinary purposes; salmon, not live; onions, preserved; margarine; marmalade; oils for food; peanut butter; cocoa butter for food; coconut oil for food; coconut butter; maize oil for food; sesame oil for food; linseed oil for food; extra virgin olive oil for food; olive oil for food; palm oil for food; palm kernel oil for food; sunflower oil for food; rape oil for food; butter; soya bean oil for food; mussels, not live; almonds, ground; animal marrow for food; molluscs, not live; milk; peanut milk; peanut milk for culinary purposes; coconut milk; coconut milk for culinary purposes; almond milk; almond milk for culinary purposes; oat milk; rice milk; rice milk for culinary purposes; albumin milk; condensed milk; soya milk; powdered milk; fish meal for human consumption; vegetable mousses; fish mousses; fruit pulp; meat; meat, preserved; freeze-dried meat; chicken nuggets; milk beverages, milk predominating; peanut milk-based beverages; coconut milk-based beverages; almond milk-based beverages; edible insects, not live; sausage casings, natural or artificial; vegetables, preserved; freeze-dried vegetables; vegetables, dried; vegetables, cooked; potato fritters; olives, preserved; lobsters, not live; flavoured nuts; candied nuts; coconut, desiccated; nuts, prepared; tomato paste; liver pâté; pectin for culinary purposes; liver; pickles; jams; powdered eggs; milk products; fish-based foodstuffs; prostokvasha [soured milk]; poultry, not live; battered chicken pieces; bulgogi; pollen prepared as foodstuff; cranberry compote; tomato purée; apple purée; crayfish, not live; crustaceans, not live; fish, preserved; fish, not live; salted fish; ryazhenka [fer-

mented baked milk]; vegetable salads; fruit salads; bacon; sardelki [sausages]; sardines, not live; pork; herrings, not live; seeds, prepared; sunflower seeds, prepared; cream [dairy products]; whipped cream; vegetable-based cream; fat-based spreads for bread slices; smetana [sour cream]; lemon juice for culinary purposes; tomato juice for cooking; vegetable juices for cooking; salted meats; sausages; sausages in batter; hot dog sausages; preparations for making bouillon; preparations for making soup; nut-based spreads; tripe; soups; vegetable soup preparations; whey; cheese; tahini [sesame seed paste]; tofu; truffles, preserved; tuna, not live; oysters, not live; falafel; milk ferments for culinary purposes; rennet; fish fillets; dates; crystallized fruits; frozen fruits; fruit, preserved; fruit preserved in alcohol; fruit, stewed; hazelnuts, prepared; potato flakes; hummus [chickpea paste]; fruit peel; preserved garlic; lentils, preserved; potato crisps; low-fat potato crisps; fruit chips; shpikachki [sausages]; non-alcoholic eggnog; seaweed extracts for food; meat extracts; edible ant larvae, prepared; berries, preserved; snail eggs for consumption; eggs; yakitori.

30 – Vanilla flavourings for culinary purposes; flavourings, other than essential oils, for cakes; flavourings, other than essential oils, for beverages; coffee flavourings; food flavourings, other than essential oils; star aniseed; baozi [stuffed buns]; cereal bars; high-protein cereal bars; pancakes; noodle-based prepared meals; freeze-dried dishes with the main ingredient being pasta; freeze-dried dishes with the main ingredient being rice; buns; bread rolls; edible rice paper; edible paper; burritos; vanillin [vanilla substitute]; vareniki [stuffed dumplings]; waffles; vermicelli; natural sweeteners; sausage binding materials; binding agents for ice cream; seawater for cooking; seaweed [condiment]; malt biscuits; cloves [spice]; mirror icing [mirror glaze]; cake frosting [icing]; glucose for culinary purposes; mustard; gluten additives for culinary purposes; yeast; fried pelmeni; thickening agents for cooking foodstuffs; leaven; rice-based snack food; cereal-based snack food; coffee substitutes; vegetal preparations for use as coffee substitutes; dressings for salad; fruit jellies [confectionery]; candy decorations for cakes; confectionery for decorating Christmas trees; cakes; pastries; peanut confectionery; almond confectionery; pasta; ginger [spice]; frozen yogurt [confectionery ices]; cocoa; cream of tartar for culinary purposes; capers; caramels [sweets]; curry [spice]; ketchup [sauce]; kimbap; quiches; gluten prepared as foodstuff; flour-based dumplings; sweets; liquorice [confectionery]; peppermint sweets; dulce de leche; cinnamon [spice]; coffee; unroasted coffee; starch for food; crackers; custard; hominy grits; semolina; oatmeal; crushed barley; groats for human food; ice cubes; corn, milled; corn, roasted; meat pies; turmeric; couscous [semolina]; noodles; ice for refreshment; ice, natural or artificial; edible ices; lollipops [confectionery]; rice cakes; mayonnaise; macaroons [pastry]; macaroni; maltose; hominy; piccalilli; mari-

nades; marzipan; honey; miso [seasoning]; royal jelly; ice cream; bean meal; tapioca flour; potato flour; corn flour; nut flours; flour; wheat flour; soya flour; barley meal; dessert mousses [confectionery]; chocolate mousses; muesli; mint for confectionery; cocoa beverages with milk; coffee beverages with milk; coffee-based beverages; cocoa-based beverages; chamomile-based beverages; tea-based beverages; chocolate beverages with milk; chocolate-based beverages; infusions, not medicinal; crushed oats; husked oats; okonomiyaki [Japanese savory pancakes]; onigiri [rice balls]; nutmegs [spice]; chocolate-coated nuts; stick liquorice [confectionery]; lozenges [confectionery]; molasses for food; pâtés en croûte; pelmeni; khinkali [stuffed dumplings]; manti [stuffed dumplings]; pepper; allspice; peppers [seasonings]; pesto [sauce]; biscuits; petit-beurre biscuits; bibimbap [rice mixed with vegetables and beef]; pies; pizzas; meat gravies; fondants [confectionery]; popcorn; powders for making ice cream; baking powder; mustard meal; pralines; aromatic preparations for food; condiments; meat tenderizers for culinary purposes; cereal preparations; oat-based food; propolis; gingerbread; spices; petits fours [cakes]; rice pudding; puddings; cake powder; fruit coulis [sauces]; ravioli; ramen [Japanese noodle-based dish]; chewing gum; relish [condiment]; rice; instant rice; wheat germ for human consumption; spring rolls; sago; palm sugar; sugar; sesame seeds [seasonings]; linseed for culinary purposes [seasoning]; processed seeds for use as a seasoning; aniseed; agave syrup [natural sweetener]; golden syrup; candy bars; batter mixes for okonomiyaki [Japanese savory pancakes]; baking soda [bicarbonate of soda for cooking purposes]; malt for human consumption; salt for preserving foodstuffs; cooking salt; celery salt; sorbets [ices]; ham glaze; soya sauce; tomato sauce; sauces [condiments]; pasta sauce; spaghetti; seasonings; chocolate-based spreads; chocolate spreads containing nuts; preparations for stiffening whipped cream; rusks; breadcrumbs; sushi; senbei [rice crackers]; sandwiches; tabbouleh; tacos; tapioca; tarts; dough; pastry dough; almond paste; rice pulp for culinary purposes; cake batter; tortillas; garden herbs, preserved [seasonings]; chocolate decorations for cakes; vinegar; beer vinegar; ferments for dough; halvah; bread; unleavened bread; chips [cereal products]; corn flakes; oat flakes; hot dog sandwiches; flowers or leaves for use as tea substitutes; jiaozi [stuffed dumplings]; chicory [coffee substitute]; tea; iced tea; chutneys [condiments]; chebureki [deep-fried pies]; minced garlic [condiment]; cheeseburgers [sandwiches]; chow-chow [condiment]; saffron [seasoning]; chocolate; malt extract for food; essences for foodstuffs, except etheric essences and essential oils; husked barley.

---

(260) AM 2024 123238 A  
 (800) 1733240  
 (151) 2023 04 18  
 (891) 2023 04 18  
 (731) Zakrytoe aktsionernoe obshchestvo "Myasnaya Galereya"  
 ul. Poliny Osipenko, d. 65, of. 10, RU-600009  
 g. Vladimir, Russian Federation  
 (540)

## Hot stuff

(591) Black, white  
 (511)

29 – Seaweed extracts for food; gelatine; edible fats; anchovy, not live; peanut butter; butter; cocoa butter for food; coconut butter; buttercream; white of eggs; black pudding; broth; preparations for making bouillon; caviar; fruit, preserved; charcuterie; potato crisps; sauerkraut; coconut, desiccated; rape oil for food; broth concentrates; jams; frozen fruits; soups; raisins; gherkins; vegetables, preserved; vegetables, cooked; vegetables, dried; oils for food; cream [dairy products]; cheese; crystallized fruits; croquettes; crustaceans, not live; dates; milk; crayfish, not live; fish fillets; rennet; fruit, stewed; fruit jellies [jams]; fruit pulp; meat; fish, not live; jellies for food, other than confectionery; meat jellies; game, not live; ginger jam; soya beans, preserved, for food; fatty substances for the manufacture of edible fats; fat-based spreads for bread slices; herrings, not live; lobsters, not live; maize oil for food; palm kernel oil for food; sesame oil for food; oysters, not live; isinglass for food; ham; yolk of eggs; yogurt; vegetable soup preparations; vegetable juices for cooking; meat extracts; kefir [milk beverage]; kumys; milk beverages, milk predominating; whey; milk products; spiny lobsters, not live; bacon; lentils, preserved; margarine; marmalade; animal marrow for food; mussels, not live; molluscs, not live; palm oil for food; nuts, prepared; eggs; powdered eggs; liver pâté; onions, preserved; olives, preserved; olive oil for food; bone oil for food; pectin for culinary purposes; pickles; peas, preserved; sausages; sardelki [sausages]; salted meats; preparations for making soup; tomato purée; vegetable salads; lard; fruit salads; sardines, not live; salmon, not live; suet for food; tuna, not live; tomato juice for cooking; sunflower oil for food; tripe; truffles, preserved; poultry, not live; battered chicken pieces; fruit peel; alginates for culinary purposes; almonds, ground; peanuts, prepared; mushrooms, preserved; coconut fat; coconut oil for food; beans, preserved; liver; fish-based foodstuffs; fruit chips; clams, not live; fruit preserved in alcohol; pollen prepared as foodstuff; prawns, not live; fish, preserved; meat, preserved; shrimps, not live; snail eggs for consumption; tofu; whipped cream; pork; edible birds' nests; fish, tinned; fish meal for human consumption; fruits, tinned; meat, tinned; potato fritters; salted fish; sea-cucumbers, not live; silkworm chrysalis for human consumption; vegetables, tinned; sausages in batter; potato flakes; apple purée; cranbe-

rry compote; tahini [sesame seed paste]; hummus [chickpea paste]; toasted laver; fruit-based snack food; curd; kimchi [fermented vegetable dish]; soya milk; milk shakes; ajvar being preserved peppers; sunflower seeds, prepared; fish mousses; non-alcoholic eggnog; vegetable mousses; fish roe, prepared; seeds, prepared; aloe vera prepared for human consumption; preserved garlic; albumin milk; linseed oil for food; low-fat potato crisps; lecithin for culinary purposes; milk ferments for culinary purposes; compotes; condensed milk; smetana [sour cream]; ryazhenka [fermented baked milk]; prostokvasha [soured milk]; tomato paste; vegetable marrow paste; aubergine paste; peanut milk for culinary purposes; almond milk for culinary purposes; rice milk; artichokes, preserved; arrangements of processed fruit; powdered milk; yakitori; bulgogi; candied nuts; flavoured nuts; hazelnuts, prepared; berries, preserved; guacamole [mashed avocado]; onion rings; falafel; lemon juice for culinary purposes; freeze-dried meat; oat milk; vegetable-based cream; freeze-dried vegetables; extra virgin olive oil for food; galbi being grilled meat dish; edible ant larvae, prepared; edible insects, not live; sweet corn, processed; nut-based spreads; potato-based dumplings; hot dog sausages; corn dogs; soya bean oil for food; milk substitutes; almond milk; peanut milk; coconut milk; coconut milk for culinary purposes; coconut milk-based beverages; rice milk for culinary purposes; almond milk-based beverages; peanut milk-based beverages; sausage casings, natural or artificial; shpikachki [sausages]; chicken nuggets; klipfish [salted and dried cod]; cottage cheese fritters; pressed fruit paste; tofu skin; soya patties; tofu patties.

30 – Seaweed [condiment]; pasta; almond paste; aniseed; star aniseed; confectionery for decorating Christmas trees; infusions, not medicinal; coffee flavourings; aromatic preparations for food; seasonings; unleavened bread; salt for preserving foodstuffs; rusks; biscuits; malt biscuits; peppermint sweets; sweets; waffles; buns; cocoa; coffee; unroasted coffee; vegetal preparations for use as coffee substitutes; cakes; cinnamon [spice]; capers; caramels [sweets]; curry [spice]; cereal preparations; chewing gum; chicory [coffee substitute]; tea; chocolate; marzipan; cloves [spice]; condiments; candy bars; corn flakes; popcorn; preparations for stiffening whipped cream; ice cream; pancakes; essences for foodstuffs, except etheric essences and essential oils; cooking salt; thickening agents for cooking foodstuffs; turmeric; natural sweeteners; spices; gingerbread; allspice; flour; bean meal; corn flour; mustard meal; barley meal; soya flour; wheat flour; starch for food; ferments for dough; fondants [confectionery]; petits fours [cakes]; sugar; flavourings, other than essential oils, for cakes; cake powder; cake batter; ginger [spice]; binding agents for ice cream; ice, natural or artificial; ice for refreshment; glucose for culinary purposes; gluten prepared as foodstuff; groats for human food; vinegar; ketchup [sauce]; cocoa beverages with milk; coffee beverages

with milk; chocolate beverages with milk; leaven; yeast; sausage binding materials; macarons [pastry]; macaroni; corn, milled; corn, roasted; bread; maltose; molasses for food; golden syrup; mint for confectionery; honey; husked barley; mustard; nutmegs [spice]; noodles; pies; crushed barley; sandwiches; lozenges [confectionery]; pastries; petit-beurre biscuits; bread rolls; peppers [seasonings]; pizzas; pepper; potato flour; puddings; pralines; ravioli; liquorice [confectionery]; rice; saffron [seasoning]; sago; sauces [condiments]; celery salt; semolina; sorbets [ices]; spaghetti; tapioca; tapioca flour; tarts; vanilla flavourings for culinary purposes; vanillin [vanilla substitute]; vermicelli; meat pies; pâtés en croûte; meat tenderizers for culinary purposes; edible ices; powders for making ice cream; almond confectionery; peanut confectionery; food flavourings, other than essential oils; flavourings, other than essential oils, for beverages; crushed oats; husked oats; oat-based food; oat flakes; oatmeal; stick liquorice [confectionery]; beer vinegar; coffee-based beverages; cocoa-based beverages; chocolate-based beverages; coffee substitutes; lollipops [confectionery]; chips [cereal products]; chow-chow [condiment]; couscous [semolina]; malt extract for food; malt for human consumption; propolis; relish [condiment]; royal jelly; seawater for cooking; sushi; tomato sauce; mayonnaise; crackers; custard; fruit jellies [confectionery]; muesli; rice cakes; soya sauce; frozen yogurt [confectionery ices]; chutneys [condiments]; spring rolls; tacos; tortillas; iced tea; tea-based beverages; dressings for salad; breadcrumbs; tabbouleh; halvah; quiches; meat gravies; miso [seasoning]; cereal-based snack food; rice-based snack food; hominy; hominy grits; baking powder; baking soda [bicarbonate of soda for cooking purposes]; garden herbs, preserved [seasonings]; noodle-based prepared meals; cake frosting [icing]; chocolate mousses; dessert mousses [confectionery]; fruit coulis [sauces]; marinades; cheeseburgers [sandwiches]; pesto [sauce]; ham glaze; linseed for culinary purposes [seasoning]; wheat germ for human consumption; high-protein cereal bars; cream of tartar for culinary purposes; gluten additives for culinary purposes; pasta sauce; cereal bars; palm sugar; dough; flowers or leaves for use as tea substitutes; pastry dough; vareniki [stuffed dumplings]; pelmeni; khinkali [stuffed dumplings]; manti [stuffed dumplings]; chocolate decorations for cakes; candy decorations for cakes; chocolate-coated nuts; rice pudding; nut flours; minced garlic [condiment]; baozi [stuffed buns]; rice pulp for culinary purposes; jiaozi [stuffed dumplings]; ramen [Japanese noodle-based dish]; okonomiyaki [Japanese savory pancakes]; batter mixes for okonomiyaki [Japanese savory pancakes]; burritos; kimbap; edible paper; edible rice paper; chocolate-based spreads; chocolate spreads containing nuts; flour-based dumplings; agave syrup [natural sweetener]; mirror icing [mirror glaze]; freeze-dried dishes with the main ingredient being rice; freeze-dried dishes with the main ingredient

being pasta; chamomile-based beverages; dulce de leche; bibimbap [rice mixed with vegetables and beef]; onigiri [rice balls]; instant rice; hot dog sandwiches; ice cubes; processed seeds for use as a seasoning; sesame seeds [seasonings]; chebureki [deep-fried pies]; piccalilli; quinoa, processed; bulgur; buckwheat, processed; buckwheat flour; cranberry sauce [condiment]; apple sauce [condiment]; croûtons; potato-based flatbreads; zephyr being confectionery; pastila [confectionery]; senbei [rice crackers]; kimchijeon [fermented vegetable pancakes]; shaved ice with sweetened red beans; mints for breath freshening; chewing gum for breath freshening; udon noodles; soba noodles.

---

(260) AM 2024 123239 A

(800) 1733269

(151) 2023 05 15

(891) 2023 05 15

(731) Obshchestvo s ogranichennoy otvetstvennostyu "KDV Grupp"

Prospekt Mira, 20, Tomsk, RU-634057

Tomskaya oblast, Russian Federation

(540)

## MAESTRO GUSTEN

(591) Black, white

(511)

29 – Beans, preserved; broth; peas, preserved; mushrooms, preserved; aubergine paste; vegetable marrow paste; sauerkraut; potato-based dumplings; vegetables, tinned; fruits, tinned; broth concentrates; vegetable-based concentrate for cooking; fruit-based concentrate for cooking; gherkins; onions, preserved; vegetable mousses; vegetables, processed; vegetables, dried; olives, preserved; preserved peppers; jams; cranberry compote; apple purée; vegetable salads; fruit salads; vegetable juices for cooking; tomato juice for cooking; preparations for making bouillon; preparations for making soup; soups; vegetable soup preparations; truffles, preserved; fruit, preserved; fruit, processed; potato flakes; preserved garlic; lentils, preserved; potato crisps; fruit chips; berries, preserved.

30 – Vermicelli; seaweed [condiment]; cloves [spice]; mustard; croûtons; gluten additives for culinary purposes; dressings for salad; pasta; ground ginger; curry [spice]; ketchup [sauce]; quiches; flour-based dumplings; starch for food; groats for human food; noodles; mayonnaise; piccalilli; marinades; ginger paste [seasoning]; pepper; condiments; spices; sesame seeds [seasonings]; processed seeds for use as a seasoning; aniseed; cooking salt; sauces [condiments]; seasonings; rusks; tamarind [condiment]; garden herbs, preserved [seasonings]; vinegar; minced garlic [condiment]; saffron [seasoning].

---

(260) AM 2024 123245 A  
 (800) 1733416  
 (151) 2023 04 18  
 (891) 2023 04 18  
 (731) Zakrytoe aktsionernoe obshchestvo "Myasnaya Galereya"  
 ul. Poliny Osipenko, 65, of. 10, RU-600009  
 g. Vladimir, Russian Federation  
 (540)

## foodgital

(591) Black, white

(511)

29 – Ajvar being preserved peppers; aloe vera prepared for human consumption; alginates for culinary purposes; anchovy, not live; peanuts, prepared; artichokes, preserved; white of eggs; beans, preserved; soya beans, preserved, for food; broth; ginger jam; ham; fatty substances for the manufacture of edible fats; toasted laver; edible birds' nests; sea-cucumbers, not live; peas, preserved; mushrooms, preserved; guacamole [mashed avocado]; game, not live; gelatine; meat jellies; jellies for food, other than confectionery; fruit jellies [jams]; yolk of eggs; coconut fat; bone oil for food; lard; suet for food; edible fats; curd; fruit-based snack food; milk substitutes; charcuterie; raisins; caviar; aubergine paste; vegetable marrow paste; fish roe, prepared; yogurt; galbi being grilled meat dish; sauerkraut; kefir [milk beverage]; kimchi [fermented vegetable dish]; isinglass for food; clams, not live; potato-based dumplings; milk shakes; black pudding; onion rings; arrangements of processed fruit; compotes; meat, tinned; vegetables, tinned; fish, tinned; fruits, tinned; broth concentrates; corn dogs; gherkins; meat cutlets; frozen meat cutlets; shrimps, not live; prawns, not live; buttercream; croquettes; silkworm chrysalis for human consumption; sweet corn, processed; kumys; chicken wings; spiny lobsters, not live; lecithin for culinary purposes; salmon, not live; onions, preserved; margarine; marmalade; oils for food; peanut butter; cocoa butter for food; coconut oil for food; coconut butter; maize oil for food; sesame oil for food; linseed oil for food; extra virgin olive oil for food; olive oil for food; palm oil for food; palm kernel oil for food; sunflower oil for food; rape oil for food; butter; soya bean oil for food; mussels, not live; almonds, ground; animal marrow for food; molluscs, not live; milk; peanut milk; peanut milk for culinary purposes; coconut milk; coconut milk for culinary purposes; almond milk; almond milk for culinary purposes; oat milk; rice milk; rice milk for culinary purposes; albumin milk; condensed milk; soya milk; powdered milk; fish meal for human consumption; vegetable mousses; fish mousses; fruit pulp; meat; meat, preserved; freeze-dried meat; chicken nuggets; milk beverages, milk predominating; peanut milk-based beverages; coconut milk-based beverages; almond milk-based beverages; edible insects, not live; sausage casings, natural or artificial; vegetables, preserved; freeze-dried vegetables; vegetables, dried; vegetables, co-

oked; potato fritters; olives, preserved; lobsters, not live; flavoured nuts; candied nuts; coconut, desiccated; nuts, prepared; tomato paste; liver pâté; pectin for culinary purposes; liver; pickles; jams; powdered eggs; milk products; fish-based foodstuffs; prostokvasha [soured milk]; poultry, not live; battered chicken pieces; bulgogi; pollen prepared as foodstuff; cranberry compote; tomato purée; apple purée; crayfish, not live; crustaceans, not live; fish, preserved; fish, not live; salted fish; ryazhenka [fermented baked milk]; vegetable salads; fruit salads; bacon; sardelki [sausages]; sardines, not live; pork; herrings, not live; seeds, prepared; sunflower seeds, prepared; cream [dairy products]; whipped cream; vegetable-based cream; fat-based spreads for bread slices; smetana [sour cream]; lemon juice for culinary purposes; tomato juice for cooking; vegetable juices for cooking; salted meats; sausages; sausages in batter; hot dog sausages; preparations for making bouillon; preparations for making soup; nut-based spreads; tripe; soups; vegetable soup preparations; whey; cheese; tahini [sesame seed paste]; tofu; truffles, preserved; tuna, not live; oysters, not live; falafel; milk ferments for culinary purposes; rennet; fish fillets; dates; crystallized fruits; frozen fruits; fruit, preserved; fruit preserved in alcohol; fruit, stewed; hazelnuts, prepared; potato flakes; hummus [chickpea paste]; fruit peel; preserved garlic; lentils, preserved; potato crisps; low-fat potato crisps; fruit chips; shpikachki [sausages]; non-alcoholic eggnog; seaweed extracts for food; meat extracts; edible ant larvae, prepared; berries, preserved; snail eggs for consumption; eggs; yakitori.

30 – Vanilla flavourings for culinary purposes; flavourings, other than essential oils, for cakes; flavourings, other than essential oils, for beverages; coffee flavourings; food flavourings, other than essential oils; star aniseed; baozi [stuffed buns]; cereal bars; high-protein cereal bars; pancakes; noodle-based prepared meals; freeze-dried dishes with the main ingredient being pasta; freeze-dried dishes with the main ingredient being rice; buns; bread rolls; edible rice paper; edible paper; burritos; vanillin [vanilla substitute]; vareniki [stuffed dumplings]; waffles; vermicelli; natural sweeteners; sausage binding materials; binding agents for ice cream; seawater for cooking; seaweed [condiment]; malt biscuits; cloves [spice]; mirror icing [mirror glaze]; cake frosting [icing]; glucose for culinary purposes; mustard; gluten additives for culinary purposes; yeast; fried pelmeni; thickening agents for cooking foodstuffs; leaven; rice-based snack food; cereal-based snack food; coffee substitutes; vegetal preparations for use as coffee substitutes; dressings for salad; fruit jellies [confectionery]; candy decorations for cakes; confectionery for decorating Christmas trees; cakes; pastries; peanut confectionery; almond confectionery; pasta; ginger [spice]; frozen yogurt [confectionery ices]; cocoa; cream of tartar for culinary purposes; capers; caramels [sweets]; curry [spice]; ketchup [sauce]; kimbap; quiches; gluten pre-

pared as foodstuff; flour-based dumplings; sweets; liquorice [confectionery]; peppermint sweets; dulce de leche; cinnamon [spice]; coffee; unroasted coffee; starch for food; crackers; custard; hominy grits; semolina; oatmeal; crushed barley; groats for human food; ice cubes; corn, milled; corn, roasted; meat pies; turmeric; couscous [semolina]; noodles; ice for refreshment; ice, natural or artificial; edible ices; lollipops [confectionery]; rice cakes; mayonnaise; macaroons [pastry]; macaroni; maltose; hominy; piccalilli; marinades; marzipan; honey; miso [seasoning]; royal jelly; ice cream; bean meal; tapioca flour; potato flour; corn flour; nut flours; flour; wheat flour; soya flour; barley meal; dessert mousses [confectionery]; chocolate mousses; muesli; mint for confectionery; cocoa beverages with milk; coffee beverages with milk; coffee-based beverages; cocoa-based beverages; chamomile-based beverages; tea-based beverages; chocolate beverages with milk; chocolate-based beverages; infusions, not medicinal; crushed oats; husked oats; okonomiyaki [Japanese savory pancakes]; onigiri [rice balls]; nutmegs [spice]; chocolate-coated nuts; stick liquorice [confectionery]; lozenges [confectionery]; molasses for food; pâtés en croûte; pelmeni; khinkali [stuffed dumplings]; manti [stuffed dumplings]; pepper; allspice; peppers [seasonings]; pesto [sauce]; biscuits; petit-beurre biscuits; bibimbap [rice mixed with vegetables and beef]; pies; pizzas; meat gravies; fondants [confectionery]; popcorn; powders for making ice cream; baking powder; mustard meal; pralines; aromatic preparations for food; condiments; meat tenderizers for culinary purposes; cereal preparations; oat-based food; propolis; gingerbread; spices; petits fours [cakes]; rice pudding; puddings; cake powder; fruit coulis [sauces]; ravioli; ramen [Japanese noodle-based dish]; chewing gum; relish [condiment]; rice; instant rice; wheat germ for human consumption; spring rolls; sago; palm sugar; sugar; sesame seeds [seasonings]; linseed for culinary purposes [seasoning]; processed seeds for use as a seasoning; aniseed; agave syrup [natural sweetener]; golden syrup; candy bars; batter mixes for okonomiyaki [Japanese savory pancakes]; baking soda [bicarbonate of soda for cooking purposes]; malt for human consumption; salt for preserving foodstuffs; cooking salt; celery salt; sorbets [ices]; ham glaze; soya sauce; tomato sauce; sauces [condiments]; pasta sauce; spaghetti; seasonings; chocolate-based spreads; chocolate spreads containing nuts; preparations for stiffening whipped cream; rusks; breadcrumbs; sushi; senbei [rice crackers]; sandwiches; tabbouleh; tacos; tapioca; tarts; dough; pastry dough; almond paste; rice pulp for culinary purposes; cake batter; tortillas; garden herbs, preserved [seasonings]; chocolate decorations for cakes; vinegar; beer vinegar; ferments for dough; halvah; bread; unleavened bread; chips [cereal products]; corn flakes; oat flakes; hot dog sandwiches; flowers or leaves for use as tea substitutes; jiaozi [stuffed dumplings]; chicory [coffee substitute]; tea; iced tea; chutneys

[condiments]; chebureki [deep-fried pies]; minced garlic [condiment]; cheeseburgers [sandwiches]; chowchow [condiment]; saffron [seasoning]; chocolate; malt extract for food; essences for foodstuffs, except etheric essences and essential oils; husked barley.

(260) AM 2024 123246 A

(800) 1733444

(151) 2023 04 26

(891) 2023 04 26

(731) Limited Liability Company "Yuzhny Poluys" ul. Shosseynaya, d.26, Kropotkin, Kavkazskiy rayon, RU-352394 Krasnodarskiy krai, Russian Federation

(540)



(591) Yellow, dark-yellow, orange, light-brown, brown, green, sky blue, red, black, dark-blue and white

(531) 05.05.04; 28.05; 29.01.14

(526) РАФИНИРОВАННОЕ-ДЕЗОДОРИРОВАННОЕ, ПОДСОЛНЕЧНОЕ МАСЛО, 100% НАТУРАЛЬНЫЙ ПРОДУКТ.

(511)

29 – Oils for food; sunflower oil for food.

(260) AM 2024 123253 A

(800) 1733699

(151) 2023 05 09

(891) 2023 05 09

(731) Apple Inc. One Apple Park Way, Cupertino CA 95014, USA

(540)

## VISIONOS

(591) Black, white

(511)

9 – Computer software; computer operating system software.

42 – Design and development of computer software; computer software consultancy; computer technology consulting; providing non-downloadable software.

(260) AM 2024 123265 A

(800) 1734007

(151) 2023 03 15

(891) 2023 03 15

(731) Shenzhen Xunweijia Technology Development Co., Ltd. Room 1104, Taoxia Jinhua Building, Gaofeng



Community, Dalang Street, Longhua,  
Shenzhen, Guangdong, China

(540)

# AmpliGame

(591) Black, white

(531) 27.05.01

(511)

9 – Electric and electronic effects units for musical instruments; portable media players; megaphones; loudspeakers; cabinets for loudspeakers; audio mixers; earphones; audio- and video-receivers; microphones; microphone stands.

(260) AM 2024 123266 A

(800) 1734008

(151) 2023 03 30

(891) 2023 03 30

(731) ZHEJIANG ZHONGGUANG ELECTRICAL CO., LTD.

No. 96, Yunjing Road, Shuige Industry Area,  
Lishui City, 323010 Zhejiang Province, China

(540)

# OUTES

(591) Black, white

(531) 27.05.01

(511)

11 – Lighting apparatus and installations; electric water boilers; cooling installations for water; air-conditioning installations; gas scrubbing apparatus; air driers; air filtering installations; air sterilizers; heat pumps; heating installations; heaters for baths; sea water desalination plants; water purifying apparatus and machines; sewage disposal plants; water purification installations; disinfectant apparatus; filters for drinking water; water softening apparatus and installations; drinking fountains; radiators, electric.

(260) AM 2024 123269 A

(800) 1734048

(151) 2023 03 30

(891) 2023 03 30

(731) Limited Liability Company GIFT

Austrina street, 169, RU-440015 Penza,  
Russian Federation

(540)

# УГЛЁБКА

(591) Black, white

(531) 28.05

(511)

33 – Alcoholic beverages containing fruit; alcoholic beverages, except beer; alcoholic essences; alcoholic extracts; anise [liqueur]; anisette [liqueur]; aperitifs; arak [arrack]; bitters; brandy; cider; cocktails; curacao; digestifs [liqueurs and spirits]; distilled bevera-

ges; fruit extracts, alcoholic; gin; kirsch; liqueurs; mead [hydromel]; perry; piquette; pre-mixed alcoholic beverages, other than beer-based; rice alcohol; rum; sake; spirits [beverages]; sugarcane-based alcoholic beverages; vodka; whisky; wine.

(260) AM 2024 123270 A

(800) 1734051

(151) 2023 03 21

(891) 2023 03 21

(731) Qingdao Countree Food Co., Ltd.

08-09#, 48/F, HNA Center, No.2 HK Middle  
Road, Shinan District, Qingdao, 610000  
Shandong Province, China

(540)

# Countree

(591) Black, white

(511)

29 – Canned fruit; frozen fruits; pickled cabbage; frozen vegetables; canned vegetables; canned aquatic products; jelly; snacks based on fruits and vegetables; vegetable puree; canned meat.

(260) AM 2024 123271 A

(800) 1734116

(151) 2023 03 31

(891) 2023 03 31

(731) Shanghai Shizhuang Information Technology Co., Ltd.

Room B6-2005, No. 121, Zhongshan North  
1st Road, Hongkou District, Shanghai, China

(540)

# PØIZON

(591) Black, white

(531) 27.05.01

(511)

42 – Design and development of software in the field of mobile applications; providing virtual computer systems through cloud computing; technical consultancy relating to technology information; software as a service [SaaS]; creating and maintaining websites for others; conversion of computer programs and data, other than physical conversion; computer programming; design of tools; authenticating works of art.

(260) AM 2024 123272 A

(800) 1734129

(151) 2023 04 12

(891) 2023 04 12

(731) Chery Automobile Co., Ltd.

8 Changchun Road, Economy & Technology  
Development Zone, Wuhu City, 241009  
Anhui Province, China

(540)

**EXLANTIX**

(591) Black, white

(511)

12 – Electric cars; automobiles.

(260) AM 2024 123273 A

(800) 1734158

(151) 2023 04 13

(891) 2023 04 13

(731) HG INNOVATION LIMITED

19H Maxgrand Plaza, No. 3 Tai Yau St,  
San Po Kong, KLN, Hong Kong, China

(540)

**MARYLIQ**

(591) Black, white

(511)

34 – Matches; lighters for smokers; cigarette filters; flavourings, other than essential oils, for use in electronic cigarettes; liquid solutions for use in electronic cigarettes; electronic cigarettes; chewing tobacco; oral vaporizers for smokers; tobacco; liquid nicotine solutions for use in electronic cigarettes.

(260) AM 2024 123281 A

(800) 1734277

(151) 2023 04 27

(891) 2023 04 27

(731) ROLEX SA

3-5-7 rue François-Dussaud, CH-1211 Genève  
26, Switzerland

(540)

**ROLEX CERTIFIED PRE-  
OWNED**

(591) Black, white

(511)

14 – Timepieces, namely, watches, wrist-watches, component parts for timepieces and accessories for timepieces not included in other classes, clocks and other chronometric instruments, chronometers, chronographs (timepieces), watch bands, dials (timepieces), boxes and cases for timepieces and jewelry, watch movements and their parts; jewelry; precious stones and semi-precious stones; precious metals and alloys thereof; pins (jewelry).

35 – Retail or wholesale services for watches and timepieces; online retail or wholesale store services; retail by electronic means; Internet advertising services.

37 – Services for the repair, servicing, revision and restoration of watches and timepieces; providing advice and information relating to services for the repair, servicing, revision and restoration of watches and timepieces.

42 – Hosting of platforms on the Internet; providing Internet platforms (software); quality control of products and services; services for the quality control, certification and authentication of watches and timepieces; inspection of products for quality control purposes.

(260) AM 2024 123282 A

(800) 1734291

(151) 2023 05 12

(891) 2023 05 12

(731) BIOBANK Co., Ltd.

388-1, Hirata, Kita-ku, Okayama-shi, Okayama  
700-0952, Japan

(540)

**Dr. ohhira's**

(591) Black, white

(511)

3 – Soap products; cosmetic soaps; cosmetic creams; cosmetic creams for skin care.

5 – Dietary supplements for humans; dietary supplements using lactic acid bacteria.

(260) AM 2024 123283 A

(800) 1734293

(151) 2023 01 16

(891) 2023 01 16

(731) Euro Games Technology Ltd.

"Maritsa" Str. 4, "Vranya-Lozen-Triugulnika",  
BG-1151 Sofia, Bulgaria

(540)

**Desert Wealth**

(591) Black, white

(511)

9 – Operating computer software for main frame computers; monitors (computer hardware); computer hardware; apparatus for recording images; monitors (computer programs); computer game programs; computer programs for recorded games; apparatus for recording, transmission or reproduction of sound or images; communications servers [computer hardware]; electronic components for gambling machines; computer application software featuring games and gaming; computer software for the administration of on-line games and gaming; computer hardware for games and gaming; computer hardware and software for gambling, gambling machines, gambling games on the Internet and via telecommunication network; computer systems; computer operating system software, computer terminals; interactive terminals; multimedia terminals; electronic terminals for generating lottery tickets; interactive touch screen terminals; computer touchscreens; electronic display panels; liquid crystal display screens; digital signage display panels; multimedia software; multimedia apparatus and instruments; interactive multimedia software for playing ga-

mes; computer screens; LCD large-screen displays; liquid crystal displays [LCDs] for home theatres; media streaming software; computer application software for streaming audio-visual media content via the Internet; software; computer gaming software; computer software packages; computer operating system software; computer software, recorded; software drivers; virtual reality software; games software; entertainment software for computer games; computer programs for network management; electronic lottery tickets; computer software platforms; operating systems; interactive computer systems; operating system programs; computer game software for use with on-line interactive games; games software for use with video game consoles; electronic game software provided via a global computer network or delivered via electronic multimedia broadcasting or by telecommunications or electronic transmission or via the Internet.

28 – Gaming machines for gambling; chips for gambling; mah-jong; arcade games; gambling machines operating with coins, notes and cards; games; electronic games; parlor games; gaming chips; gaming tables; slot machines [gaming machines]; LCD game machines; slot machines and gaming devices; coin-operated amusement machines; roulette chips; poker chips; chips and dice [gaming equipment]; gaming equipment for casinos; roulette tables; gaming roulette wheels; casino games; gambling machines and amusement machines, automatic and coin-operated; coin-operated amusement machines and/or electronic coin-operated amusement machines with or without the possibility of gain; boxes for coin-operated amusement machines, slot machines and gaming machines; electronic or electrotechnical amusement machines and apparatus, gaming machines, coin-operated entertainment machines; housings for coin-operated amusement machines, gaming equipment, gaming machines, machines for gambling; electropneumatic and electrical gambling machines (slot machines); lottery games; electronic targets for games and sports; video game consoles; electronic games provided via a global computer network or delivered via electronic multimedia broadcasting or via telecommunications or electronic transmission or via the Internet.

41 – Gambling; entertainment services related to gambling; gaming services for entertainment purposes; casino, gaming and gambling services; training in the development of software systems; provision of gaming equipment for gambling halls; providing casino equipment [gambling]; gaming machine entertainment services; providing casino facilities [gambling]; amusement arcade services; amusement arcades; games equipment rental; rental of gaming machines; providing amusement arcade services; rental of gaming machines with images of fruits; editing or recording of sounds and images; sound recording and video entertainment services; hire of sound reproducing apparatus; provision of gaming equipment for casinos;

providing of casino facilities; online gambling services; casino management services; provision of gaming facilities, gaming hall facilities, Internet casinos and online gambling services; lottery services; organization of lotteries; provision of games by means of a computer based system; online interactive entertainment; on-line casino services; online game services through mobile devices; providing online entertainment in the nature of game tournaments; providing on-line information in the field of computer gaming entertainment; sports betting services; online sports betting services; providing on-line computer games and games of chance, in particular use of non-downloadable game software; rental of video game consoles; electronic game services provided via a global computer network or delivered via electronic multimedia broadcasting or via telecommunications or electronic transmission or via the Internet.

(260) AM 2024 123284 A

(800) 1734329

(151) 2023 03 27

(891) 2023 03 27

(731) LECHLER S.p.A.

VIA CECILIO 17, I-22100 COMO, Italy

(540)



(591) Black, white

(531) 26.13.25; 26.15.25; 27.05.14; 27.05.17

(511)

2 – Dyes; colorants; pigments; lacquers; varnishes; paints; fixatives [varnishes]; acrylic paints; mordants; exterior paint; interior paint; paint for wood; dyewood extracts; fixatives for dyestuffs; varnish for the protection of wood from deterioration; wood preservatives; metal in foil and powder form for use in painting, decorating, printing and art; raw natural resins; synthetic resins for protection against corrosion; raw natural resins for use in the manufacture of varnishes; raw natural resins for use in the manufacture of lacquers; synthetic resin paints; resins for use in pigmentation; resins for coating purposes; primers; finishing coatings [paints] for building interiors and exteriors; powder coatings; textured wall coatings [paints]; waterproof coatings [paints]; materials [paints] for damp proof treatment; floor sealing compounds [paints and oils]; protective coatings for repelling water [paint]; preparations for waterproofing [paints]; interior protective finish coatings [paints]; damp proofing preparations [paints] for masonry; coating compositions having waterproofing properties [paints or oils]; anti-rust preparations; paints for protection against corrosion; varnishes for protection against corrosion; thin-

ners, thickeners, binders for varnishes, pigments and paints; thinners for lacquers; binding preparations for paints; siccatives [drying agents] for paints.

(260) AM 2024 123297 A

(800) 1183703

(151) 2013 09 02

(891) 2023 04 11

(731) Zhebrowska Filya

6, vul. Starytskoho, Kyiv 04078, Ukraine

(540)

# Лира

(591) Black, white

(531) 28.05

(511)

5 – Pharmaceutical preparations; medicines for human purposes.

(260) AM 2024 123298 A

(800) 1287255

(151) 2015 05 28

(891) 2023 04 27

(731) OFFICINA PROFUMO FARMACEUTICA, DI SANTA MARIA NOVELLA S.P.A.

Via della Scala, 16, I-50123 FIRENZE, Italy

(540)

## SANTA MARIA NOVELLA

(591) Black, white

(511)

3 – Toiletries; perfumery and fragrances; eau de Cologne; bath oil; massage oils; extracts of perfumes; extracts of flowers; perfumery; cosmetic preparations for the care of mouth and teeth; body and beauty care cosmetics; hair care preparations; make-up; soaps in gel form; cleansing gels; post shave gel; after shave gels; bath and shower preparations; body deodorants (perfumery); skin care preparations; shaving preparations; cosmetics for animals; deodorants for animals; cleaning preparations; fragrances for household use; laundry preparations; cleaning preparations for leather; shoe creams and polishes.

4 – Candles and wicks for lighting.

5 – Pharmaceuticals and natural remedies; feminine hygienic preparations and articles; dietary supplements and dietetic preparations; deodorizers and air purifying preparations; disinfectants and antiseptics.

16 – Paintings; drawings; craft paper; carrier bags; paper shopping bags; wrapping paper; gift wrap paper; paper gift tags; gift packaging; paper bows for gift wrap; packaging materials; paper ribbons; gift bags; paper bags; paper gift bags; boxes of cardboard or paper; gift cartons; photographic albums; writing stationery;

paper stationery; gift tags; writing tablets; envelopes; printed calendars; writing paper; letterhead paper; tickets; calendars; catalogues; printed price lists; journals; printed publications; printed advertisements.

21 – Porcelain articles for decorative purposes; works of art, of porcelain, terra cotta or glass; tableware, cookware and containers; cosmetic and toilet utensils and bathroom articles; perfume bottles; fitted toilet bags; cosmetic brushes; shaving brushes; combs; soap containers; hair brushes; sponges; vaporizers for perfume sold empty; soap boxes.

30 – Salts, seasonings, flavourings and condiments; baked goods, confectionery, chocolate and desserts; sweets (candy), candy bars and chewing gum; coffee, teas and cocoa and substitutes therefor; infusions, not medicinal; sugars, natural sweeteners, sweet coatings and fillings, honey.

33 – Alcoholic beverages (except beer).

35 – Retailing and wholesaling of perfumery, candles, pharmaceutical, veterinary and sanitary preparations, stationery, tableware, other than knives, forks and spoons, foodstuffs limited to jellies, jams, compotes, fruits and vegetable spreads, virgin olive oil, processed fruits, mushrooms and vegetables (including nuts and pulses), baked goods, chocolate, sweets (candy), candy bars and chewing gum, teas and cocoa and substitutes therefor, infusions, not medicinal, sugars, natural sweeteners, sweet coatings and fillings, alcoholic and non-alcoholic beverages; On-line retail store services for perfumery, candles, pharmaceutical, veterinary and sanitary preparations, stationery, tableware, other than knives, forks and spoons, foodstuffs limited to jellies, jams, compotes, fruits and vegetable spreads, virgin olive oil, processed fruits, mushrooms and vegetables (including nuts and pulses), baked goods, chocolate, sweets (candy), candy bars and chewing gum, teas and cocoa and substitutes therefor, infusions, not medicinal, sugars, natural sweeteners, sweet coatings and fillings, alcoholic and non-alcoholic beverages; Providing an online marketplace for buyers and sellers of downloadable virtual goods, namely, perfumery, candles, pharmaceutical, veterinary and sanitary preparations, stationery, tableware, other than knives, forks and spoons, foodstuffs limited to jellies, jams, compotes, fruits and vegetable spreads, virgin olive oil, processed fruits, mushrooms and vegetables (including nuts and pulses), baked goods, chocolate, sweets (candy), candy bars and chewing gum, teas and cocoa and substitutes therefor, infusions, not medicinal, sugars, natural sweeteners, sweet coatings and fillings, alcoholic and non-alcoholic beverages, authenticated by non-fungible tokens [NFTs] for use in virtual environments.

(260) AM 2024 123299 A  
 (800) 1459423  
 (151) 2019 01 16  
 (891) 2023 05 22  
 (731) AS Liviko  
 Masina 11, EE-10144 Tallinn, Estonia  
 (540)

## Bellingshausen

(591) Black, white  
 (511)  
 33 – Alcoholic beverages, except beers.

(260) AM 2024 123300 A  
 (800) 1552936  
 (151) 2020 07 29  
 (891) 2023 05 18  
 (731) NORITAKE CO., LIMITED  
 1-36, Noritake-Shinmachi 3-chome,  
 Nishi-ku, Nagoya, Japan  
 (540)



(591) Black, white  
 (531) 27.05.10; 27.05.12  
 (511)  
 5 – Dental materials; dental abrasives; medical preparations for dental purposes.

(260) AM 2024 123367 A  
 (800) 1734674  
 (151) 2023 01 19  
 (891) 2023 01 19  
 (731) MAGLIFICIO LILIANA DI LORENZONI  
 ANDREA E C. S.N.C.  
 Via Madonnina, 18/24, MONTICHIARI  
 (BRESCIA), Italy  
 (540)

## LORENZONI

(591) Black, white  
 (511)  
 25 – Cardigans; jerseys [clothing]; hosiery; knitwear, sweaters; neckties; neckerchiefs; scarves; socks; stockings; tights; trousers; skirts; jackets [clothing]; shirts; waistcoats; tracksuits; blouses; jeans; Bermuda shorts; tee-shirts; sweatshirts; suits; dresses; jumper dresses; overcoats; anoraks [parkas]; coats; raincoats; gloves; muffs [clothing]; knickers; leggings [leg warmers]; brassieres; underpants; corselets; sports singlets; petticoats; nightgowns; pyjamas; dressing gowns; bath robes; bathing suits; bathing caps; dance clothing; sashes for wear; layettes [clothing]; belts [clothing]; braces [suspenders] for clothing; shoes; sports shoes; training shoes; sneakers; boots; sandals; ski boots; snowboard boots; slippers; house shoes; hats; berets; clothing, footwear, headwear, shawls; shorts; leggings

[trousers]; neck warmers; arm warmers [clothing]; knee warmers [clothing]; tops [clothing]; singlets; jenkins; sweatpants; dress shirts; golf shirts; polo shirts; sleeveless shirts; sport shirts; furs [clothing]; corsets [underclothing]; undershirts; body shapers [undergarments]; boxer shorts; camisoles; garters; negligees; combinations [clothing]; bodies [clothing]; teddies [undergarments]; sports shorts; breeches for wear; wristbands [clothing]; mittens; ear muffs [clothing]; earbands [clothing]; ankle socks; bandanas [neckerchiefs]; skirt suits; cyclists' clothing; athletic uniforms; balaclavas, headbands [clothing]; masquerade costumes; wedding dresses; pareus; money belts [clothing]; gaiters; leotards; blousons; sports jackets; sleeveless jackets; fleece vests; quilted vests; jumpsuits [clothing]; body warmers; hairdressing capes; chasubles; overshoes; cycling shoes; dance shoes; ski boot bags; running shoes; football shoes; beach shoes; rain boots; after ski boots; horse-riding boots; athletic shoes; golf shoes; visors [headwear]; shower caps; sun hats; rain hats, caps [headwear]; hoods [clothing]; neckwear, loungewear; sleepwear; rainwear; beachwear; underwear; skiwear; surf wear; tennis wear.

(260) AM 2024 123369 A  
 (800) 1734794  
 (151) 2023 04 03  
 (891) 2023 04 03  
 (731) LIMITED LIABILITY COMPANY  
 "MEDICAL CENTER "M.T.K."  
 10, M. Amosov str., Kyiv 03038, Ukraine  
 (540)

## Levibe

(591) Black, white  
 (511)  
 5 – Adjuvants for medical purposes; cooling sprays for medical purposes; acaricides; aconitine; alkaloids for medical purposes; albumin dietary supplements; alginates for pharmaceutical purposes; alginate dietary supplements; algicides; aldehydes for pharmaceutical purposes; amino acids for veterinary purposes; amino acids for medical purposes; analgesics; anaesthetics; antibiotics; vermifuges; anti-uric preparations; antiseptics; first-aid boxes, filled; aluminium acetate for pharmaceutical purposes; acetates for pharmaceutical purposes; germicides; bacterial preparations for medical and veterinary use; bacteriological preparations for medical and veterinary use; oxygen cylinders, filled, for medical purposes; balms for medical purposes; balsamic preparations for medical purposes; royal jelly for pharmaceutical purposes; tobacco-free cigarettes for medical purposes; bandages for dressings; bicarbonate of soda for pharmaceutical purposes; albuminous preparations for medical purposes; albuminous foodstuffs for medical purposes; biological preparations for veterinary purposes; biological preparations for medical purposes; biocides; bismuth subnitrate for pharmaceutical purposes; linseed meal for

pharmaceutical purposes; flour for pharmaceutical purposes; bracelets impregnated with insect repellent; bromine for pharmaceutical purposes; bronchodilating preparations; vaginal washes for medical purposes; petroleum jelly for medical purposes; vaccines; absorbent cotton; antiseptic cotton; aseptic cotton; cotton for medical purposes; wadding for medical purposes; cotton swabs for medical purposes; veterinary preparations; tartar for pharmaceutical purposes; decoctions for pharmaceutical purposes; vitamin preparations; seawater for medicinal bathing; mineral waters for medical purposes; hydrated chloral for pharmaceutical purposes; dietary fibre; charcoal for pharmaceutical purposes; astringents for medical purposes; gases for medical purposes; gallic acid for pharmaceutical purposes; guaiacol for pharmaceutical purposes; sexual stimulant gels; haematogen; haemoglobin; haemostatic pencils; herbicides; hydrastine; hydrastinine; mustard for pharmaceutical purposes; mustard oil for medical purposes; mustard plasters; glycerine for medical purposes; glycerophosphates; glucose for medical purposes; homogenized food adapted for medical purposes; hormones for medical purposes; mud for baths; medicinal mud; vulnerary sponges; contraceptive sponges; rubber for dental purposes; gamboge for medical purposes; gurjun balsam for medical purposes; disinfectants; disinfectants for chemical toilets; disinfectants for hygiene purposes; deodorants for clothing and textiles; deodorants, other than for human beings or for animals; aromatic deodorizers for toilets; deodorizers for litter trays; cedar wood for use as an insect repellent; detergents for medical purposes; digitalin; infant formula; diagnostic preparations for veterinary purposes; diagnostic preparations for medical purposes; diastase for medical purposes; dietary supplements for animals; royal jelly dietary supplements; glucose dietary supplements; pollen dietary supplements; dietary supplements with a cosmetic effect; linseed dietary supplements; linseed oil dietary supplements; acai powder dietary supplements; propolis dietary supplements; wheat germ dietary supplements; dietetic beverages adapted for medical purposes; dietetic substances adapted for medical use; dietetic foods adapted for medical purposes; whey protein dietary supplements; brewer's yeast dietary supplements; mineral dietary supplements; yeast for pharmaceutical purposes; yeast dietary supplements; eucalyptus for pharmaceutical purposes; eucalyptol for pharmaceutical purposes; plant extracts for pharmaceutical purposes; herbal extracts for medical purposes; extracts of hops for pharmaceutical purposes; elixirs [pharmaceutical preparations]; enzymes for veterinary purposes; enzymes for medical purposes; enzyme dietary supplements; enzyme preparations for medical purposes; esters for pharmaceutical purposes; cellulose esters for pharmaceutical purposes; ethers for pharmaceutical purposes; cellulose ethers for pharmaceutical purposes; febrifuges; gelatine for medical purposes; milking grease; greases for veterinary pur-

poses; greases for medical purposes; nicotine gum for use as an aid to stop smoking; chewing gum for medical purposes; nervines; bunion pads; isotopes for medical purposes; immunostimulants; reagent paper for veterinary purposes; reagent paper for medical purposes; insecticides; Irish moss for medical purposes; iodine for pharmaceutical purposes; alkaline iodides for pharmaceutical purposes; iodides for pharmaceutical purposes; iodoform; casein dietary supplements; calomel [fungicide]; gum for medical purposes; camphor for medical purposes; camphor oil for medical purposes; cannabidiol for medical use; capsules for medicines; capsules made of dendrimer-based polymers, for pharmaceuticals; carbolineum [parasiticide]; caustics for pharmaceutical purposes; caustic pencils; cachou for pharmaceutical purposes; quassia for medical purposes; quebracho for medical purposes; oxygen for medical purposes; acids for pharmaceutical purposes; oxygen baths; bone cement for surgical and orthopaedic purposes; fly glue; adhesives for dentures; cocaine for medical purposes; collagen for medical purposes; collodion for pharmaceutical purposes; compresses; chemical contraceptives; angostura bark for medical purposes; condurango bark for medical purposes; croton bark; mangrove bark for pharmaceutical purposes; myrobalan bark for pharmaceutical purposes; barks for pharmaceutical purposes; quinquina for medical purposes; medicinal roots; rhubarb roots for pharmaceutical purposes; medicated animal feed; lint for medical purposes; collyrium; cream of tartar for pharmaceutical purposes; creosote for pharmaceutical purposes; blood for medical purposes; depuratives; styptic preparations; dill oil for medical purposes; starch for dietetic or pharmaceutical purposes; biological tissue cultures for veterinary purposes; biological tissue cultures for medical purposes; cultures of microorganisms for medical or veterinary use; curare; dental lacquer; breast-nursing pads; milk sugar for pharmaceutical purposes; adhesive plasters; lecithin for medical purposes; lecithin dietary supplements; fly catching paper; medicines for alleviating constipation; medicines for human purposes; medicines for veterinary purposes; drugs for medical purposes; medicines for dental purposes; corn remedies; remedies for perspiration; remedies for foot perspiration; liniments; liquorice for pharmaceutical purposes; medicated hair lotions; lotions for veterinary purposes; lotions for pharmaceutical purposes; medicated after-shave lotions; personal sexual lubricants; lupulin for pharmaceutical purposes; magnesia for pharmaceutical purposes; sunburn ointments; ointments for pharmaceutical purposes; frostbite salve for pharmaceutical purposes; gauze for dressings; massage gels for medical purposes; massage candles for therapeutic purposes; bone void fillers comprised of living tissues; dental impression materials; teeth filling material; diaper changing mats, disposable, for babies; medicinal alcohol; medicine cases, portable, filled; medical preparations for slimming purposes; melissa

water for pharmaceutical purposes; sanitary tampons; menthol; almond milk for pharmaceutical purposes; antibacterial handwashes; dog washes [insecticides]; animal washes [insecticides]; cattle washes [insecticides]; insecticidal veterinary washes; antibacterial soap; disinfectant soap; medicated soap; moulding wax for dentists; moleskin for medical purposes; powdered milk for babies; lacteal flour for babies; milk ferments for pharmaceutical purposes; freeze-dried meat adapted for medical purposes; mint for pharmaceutical purposes; vitamin supplement patches; nicotine patches for use as aids to stop smoking; scapulars for surgical purposes; medicinal drinks; vesicants; narcotics; linseed for pharmaceutical purposes; medicinal infusions; tincture of iodine; tinctures for medical purposes; nutraceutical preparations for therapeutic or medical purposes; fumigating sticks; fumigation preparations for medical purposes; cachets for pharmaceutical purposes; wart pencils; medicinal oils; oil of turpentine for pharmaceutical purposes; opiates; opium; opodeldoc; mouthwashes for medical purposes; rat poison; poisons; bacterial poisons; headache relief sticks; stick liquorice for pharmaceutical purposes; sanitary panties; paper for mustard plasters; mothproofing paper; parasiticides; medicated toothpaste; pastilles for pharmaceutical purposes; pectin for pharmaceutical purposes; disposable absorbent pads for lining pet crates; disposable house training pads for pets; babies' diapers; pepsins for pharmaceutical purposes; peptones for pharmaceutical purposes; dressings, medical; hydrogen peroxide for medical purposes; pearl powder for medical purposes; pesticides; antioxidant pills; tanning pills; appetite suppressant pills; slimming pills; diapers for pets; swim diapers, reusable, for babies; swim diapers, disposable, for babies; diapers for incontinence; babies' diaper-pants; blood plasma; by-products of the processing of cereals for dietetic or medical purposes; eyepatches for medical purposes; nutritional supplements; nutritive substances for microorganisms; bouillons for bacteriological cultures; pomades for medical purposes; powder of cantharides; pyrethrum powder; porcelain for dental prostheses; laxatives; bismuth preparations for pharmaceutical purposes; pre-filled syringes for medical purposes; haemorrhoid preparations; preparations for callouses; chilblain preparations; bath preparations for medical purposes; air deodorizing preparations; mothproofing preparations; preparations for reducing sexual activity; preparations for destroying dry rot fungus; larvae exterminating preparations; preparations for destroying mice; fly destroying preparations; slug exterminating preparations; preparations for destroying noxious animals; preparations for destroying vermin; acne treatment preparations; preparations for the treatment of burns; lice treatment preparations [pediculicides]; ootherapy preparations; air purifying preparations; appetite suppressants for medical purposes; medicinal hair growth preparations; sterilizing preparations; soil-sterilizing preparations;

medicated dentifrices; contact lens cleaning preparations; aloe vera preparations for pharmaceutical purposes; preparations of trace elements for human and animal use; preparations of microorganisms for medical or veterinary use; medicated toiletry preparations; anti-inflammatories; preparations to facilitate teething; poultices; chemical conductors for electrocardiograph electrodes; food for babies; freeze-dried food adapted for medical purposes; sanitary towels; purgatives; propolis for pharmaceutical purposes; protein dietary supplements; protein supplements for animals; corn rings for the feet; antiparasitic collars for animals; antiparasitic preparations; anticryptogamic preparations; leeches for medical purposes; radium for medical purposes; radioactive substances for medical purposes; diagnostic biomarker reagents for medical purposes; radiological contrast substances for medical purposes; insect repellents; insect repellent incense; repellents for dogs; digestives for pharmaceutical purposes; fish meal for pharmaceutical purposes; cod liver oil; castor oil for medical purposes; ergot for pharmaceutical purposes; solutions for contact lenses; medicated eye-washes; solvents for removing adhesive plasters; cannabis for medical purposes; mercurial ointments; sarsaparilla for medical purposes; lead water; sedatives; tissues impregnated with pharmaceutical lotions; serotherapeutic medicines; siccatives [drying agents] for medical purposes; serums for medical purposes; syrups for pharmaceutical purposes; sulfur sticks [disinfectants]; turpentine for pharmaceutical purposes; diagnostic strips for testing breast milk for medical purposes; soporifics; salts for mineral water baths; bath salts for medical purposes; smelling salts; potassium salts for medical purposes; mineral water salts; salts for medical purposes; sodium salts for medical purposes; malt for pharmaceutical purposes; malted milk beverages for medical purposes; semen for artificial insemination; alcohol for pharmaceutical purposes; alloys of precious metals for dental purposes; douching preparations for medical purposes; steroids; stem cells for veterinary purposes; stem cells for medical purposes; dental abrasives; dental amalgams; dental amalgams of gold; dental mastics; dental cements; strychnine; adhesive tapes for medical purposes; sulfonamides [medicines]; suppositories; therapeutic preparations for the bath; thermal water; tetrahydrocannabinol [THC] for medical use; thymol for pharmaceutical purposes; gentian for pharmaceutical purposes; tonics [medicines]; smoking herbs for medical purposes; medicinal herbs; transplants [living tissues]; pants, absorbent, for incontinence; tobacco extracts [insecticides]; pharmaceutical preparations; pharmaceutical preparations for treating dandruff; pharmaceutical preparations for skin care; pharmaceutical preparations for treating sunburn; lime-based pharmaceutical preparations; pharmaceuticals; phenol for pharmaceutical purposes; fennel for medical purposes; ferments for pharmaceutical purposes; enzyme preparations for veterinary purposes; injectable dermal fillers; phytothe-

rapy preparations for medical purposes; formic aldehyde for pharmaceutical purposes; phosphates for pharmaceutical purposes; fungicides; chemico-pharmaceutical preparations; chemical preparations for the diagnosis of pregnancy; chemical preparations for treating wheat blight; chemical preparations for treating phylloxera; chemical preparations for treating diseases affecting vine plants; chemical preparations for treating diseases affecting cereal plants; chemical preparations for treating mildew; chemical preparations for veterinary purposes; chemical preparations for medical purposes; chemical preparations for pharmaceutical purposes; chemical reagents for medical or veterinary purposes; quinine for medical purposes; chinoline for medical purposes; surgical implants comprised of living tissues; surgical glues; surgical dressings; diabetic bread adapted for medical use; chloroform; flowers of sulfur for pharmaceutical purposes; cement for animal hooves; medicated sweets; crystallized rock sugar for medical purposes; sugar for medical purposes; herbal teas for medicinal purposes; bath tea for therapeutic purposes; medicinal tea; asthmatic tea; medicated shampoos for pets; insecticidal animal shampoos; medicated shampoos; pediculicidal shampoos; medicated dry shampoos; panty liners [sanitary]; jujube, medicated; jalap.

(260) AM 2024 123371 A

(800) 1734814

(151) 2022 10 21

(891) 2022 10 21

(731) WORLD MEDICINE İLAÇ SAN. VE TİC.

A.Ş.

15 TEMMUZ MAH., CAMİ YOLU CAD. 50

Bağcılar, İstanbul, Türkiye

(540)

**ROXET-POK CET**

(591) Black, white

(531) 28.05

(511)

5 – Pharmaceutical and veterinary preparations for medical purposes; chemical preparations for medical and veterinary purposes, chemical reagents for pharmaceutical and veterinary purposes; medicated cosmetics, dietary supplements for pharmaceutical and veterinary purposes; dietary supplements; nutritional supplements; medical preparations for slimming purposes; food for babies; herbs and herbal beverages adapted for medicinal purposes, medicated dental care preparations and dental impression materials; teeth filling material, dental impression material, dental adhesives and material for repairing teeth, sanitary preparations for medical use; hygienic pads; hygienic tampons; plasters; materials for dressings; diapers made of paper and textiles for babies, adults and pets, preparations for destroying vermin; herbicides, fungicides, preparations for destroying rodents, deodorants,

other than for human beings or for animals; air purifying preparations; air deodorising preparations, disinfectants; antiseptics; detergents for medical purposes; medicated soaps; disinfectant soaps; antibacterial hand lotions.

(260) AM 2024 123372 A

(800) 1734872

(151) 2022 12 06

(891) 2022 12 06

(731) Zakrytoe aktsionernoe obshchestvo

"Myasnaya galereya"

ul. Poliny Osipenko, 65, of. 10, RU-600009

Vladimir, Russian Federation

(540)

**Пе́керысы**

(591) Black, white

(531) 28.05

(511)

29 – Meat, fish, poultry and game; meat extracts; preserved, frozen, dried and cooked fruits and vegetables; jellies, jams, compotes; eggs, milk and milk products; edible oils and fats; avocados, processed; quinces, processed; ajvar [preserved peppers]; sweetfish, not live; aloe vera prepared for human consumption; alginates for culinary purposes; anchovy, not live; anchovies, processed; oranges, processed; peanuts, preserved; peanuts, processed; artichokes, processed; eggplants, processed; fried plantain; albumen for culinary purposes; formed textured vegetable protein for use as a meat substitute; white of eggs; prepared meals consisting primarily of seafood; prepared meals consisting primarily of meat, fish, poultry or vegetables; frozen meals consisting primarily of meat, fish, poultry or vegetables; vegetable-based entrées; pre-packaged entrées consisting primarily of seafood; packaged meals consisting primarily of meat, fish, poultry or vegetables; beans, preserved; beans, processed; refried beans; soya beans, preserved, for food; dried soya beans; tempeh [fermented soybeans]; soya beans, processed; beans, dried; beef stock; veal stock; chicken stock; fish stock; broth; prepared stock; ginger jam; ham; fatty substances for the manufacture of edible fats; maraschino cherries; cherries, processed; toasted laver; edible seaweed; dried edible seaweed, processed; edible seaweed, processed; ghee; edible birds' nests; beef; beef jerky; beef slices; prepared beef; beef stew; peas, preserved; peas, processed; peas, prepared; mushrooms, preserved; mushrooms, processed; mushrooms, prepared; dried beef; sea urchins, not live; gelatine; meat jellies; vegetable jellies; jellies for food; fish jellies; fruit jelly spreads; yolk of eggs; beef tallow for food; whale fat for food; coconut fat; bone oil, edible; lard; baking fat; suet for food; vegetable oils for food; non-dairy creamers; coffee whiteners consisting primarily of dairy products; creamers



for beverages; frozen appetizers consisting primarily of chicken; frozen appetizers consisting primarily of seafood; fruit-based snack food; potato-based snack foods; vegetable-based snack foods; nut-based snack foods; antipasto salads; aspic; margarine substitutes; butter substitutes; meat substitutes; poultry substitutes; vegetable-based meat substitutes; sour cream substitutes; cheese substitutes; egg substitutes; shepherd's pie; brawn; charcuterie; fish sausages; raisins; salmon caviar; sea trout roe for food; fish roe, processed; candied ginger; turkey; figs, dried; yogurt; drinking yogurts; processed cactus for food; sauerkraut; cabbage, processed; carp, not live; fried potatoes; potatoes, preserved; potatoes, processed; sweet potatoes, processed; potato fries; kefir [milk beverage]; kimchi [fermented vegetable dish]; isinglass for food; clams [not live]; potato-based dumplings; milk shakes; smoked sausage; black pudding; kielbasa; onion rings; meat, canned; vegetables, canned; fish, canned; fruits, canned; broth concentrates; pickled watermelon rind; processed edible root vegetables; gherkins; crab cakes; beef patties; veggie burger patties; soya burger patties; hamburgers [meat patties]; uncooked hamburger patties; turkey burger patties; chicken burger patties; fish cakes; crabs, not live; shrimps, not live; prawns, not live; dried prawns; buttercream; salmon croquettes; fish croquettes; stock cubes; silkworm chrysalis, for human consumption; kumys [milk beverage]; chicken; kelp, processed; spiny lobsters, not live; soya-based snack foods; lecithin for culinary purposes; sea bream, not live; salmon, not live; smoked salmon; lemons, processed; onions, preserved; onions, processed; onions, prepared; red snapper, not live; mangos, processed; margarine; marmalade; hydrogenated oils for food; hardened oils for food; spiced oils; peanut butter; peanut oil for food; grapeseed oil for food; cooking oil; cashew nut oil; cocoa butter; whale oil for food; coconut oil for food; coconut butter; corn oil; sesame oil; linseed oil for culinary purposes; olive oil for culinary purposes; olive oil for cooking; olive oil for food; palm oil for food; palm kernel oil for food; sunflower oil for food; rape oil for food; rice bran oil for food; pumpkin seed oil for food; butter; soya bean oil for food; clarified butter; blue mussels, not live; mussels, not live; almonds, processed; almonds, ground; animal marrow for food; ark shells, not live; short-necked clams, not live; shellfish, not live; acidophilus milk; goat's milk; coconut milk for culinary purposes; hemp milk for use as a milk substitute; cow's milk; sheep's milk; condensed milk; soya milk [milk substitute]; albumin milk; powdered milk; rice milk for use as a milk substitute; seafood, canned; fish meal for human consumption; chicken mousses; meat-based mousses; vegetable mousses; fish mousses; fruit pulp; fried meat; luncheon meats; meat, frozen; meat, preserved; meat, processed; sliced meat; meat, prepared; cooked meat, canned; minced meat; dried meat; breaded and fried pieces of chicken; yogurt beverages; lactic acid bacteria drinks; milk beve-

rages, milk predominating; milk-based beverages containing fruits; milk-based beverages containing fruit juice; dairy-based beverages; yogurt-based beverages; beverages consisting primarily of milk; mincemeat made from fruits; fruit-based fillings for cakes and pies; chickpeas, processed; pre-packaged dinners consisting primarily of game; pre-packaged dinners consisting primarily of seafood; pre-packaged dinners consisting primarily of meat; pre-packaged dinners consisting primarily of poultry; pre-packaged dinners consisting primarily of fish; grilled vegetables; pre-cut vegetables for salads; vegetables preserved in oil; pickled vegetables; sliced vegetables; sliced vegetables, canned; vegetables, processed; spicy pickles; perches, not live; potato fritters; olives, preserved; olives, processed; processed olives, canned; olives, cooked; olives, prepared; olives stuffed with red peppers; olives stuffed with almonds; olives stuffed with sauce; stuffed olives in sunflower oil; olives, dried; lobsters, not live; omelettes; blanched nuts; walnuts, processed; roasted nuts; candied nuts; pine nuts, processed; coconut, processed; coconut, prepared; coconut, desiccated; nuts, prepared; seasoned nuts; octopuses, not live; cheese sticks; potato sticks; papayas, processed; anchovy paste; artichoke paste; guava paste; crab roe paste; hazelnut spreads; almond spreads; olive pastes; tomato purée; fruit paste; soup pastes; vegetable pastes; buttermilk; liver pâté; meat pâté; fruit pectin for culinary purposes; peppers, processed; pepperoncinis, processed; peppers, prepared; pimientos, processed; breaded and fried peppers; pickled peppers; chili peppers, processed; peaches, processed; liver; pulses, dried; legumes, dried; lemon curd; powdered coconut milk; powdered eggs; animal kidneys [offal]; fermented milk products; processed meat products; foods prepared from fish; canned fish products; smoked fish products; fish products prepared for human consumption; bean sprouts, processed; prostokvasha [soured milk]; poultry, not live; pollen prepared as foodstuff; mashed potatoes; instant mashed potato; cranberry sauce [compote]; vegetable purées; fruit purées; apple purée; stews; instant stew; pre-cooked stew; crayfish, not live; crustaceans, not live; fish, preserved; smoked fish; pickled fish; fish, not live; salted fish; ryazhenka being fermented baked milk; coleslaw; vegetable salads; pre-cut vegetable salads; fruit salads; bacon; sardines, not live; beets, processed; pork; canned pork; canned pork and beans; herrings, not live; seeds, prepared; processed sunflower seeds; processed pumpkin seeds; hearts of palm, processed; whipped cream; whipping cream; artificial cream [dairy product substitutes]; cream [dairy products]; mixes for making broths; mixes for making soup; fat-containing mixtures for bread slices; snack mixes consisting of peas in sauce, processed nuts, dehydrated fruit or raisins; snack mixes consisting of processed fruits, processed nuts or raisins; snack mixes consisting of dehydrated fruit and processed nuts; blended vegetable oils; dried fruit mixes; half and half [milk and cream mixture];

smetana; candied fruit snacks; dried fruit-based snack foods; vegetable juices for cooking; clam juice; meat juices; tomato juice for cooking; salted meats; corned beef; corned beef hash; sausages; vegetarian sausages; sausages in batter; hot dog sausages; preserved sausages; uncooked sausages; preparations for making bouillon; preparations for making soup; asparagus, processed; dairy-based spreads; meat-based spreads; vegetable-based spreads; fruit-based spreads; garlic-based spreads; fruit spreads; tripe; instant soup; pre-cooked soup; bisques; soup with dumplings; soups; vegetable soup preparations; fruits, dried; whey; goat's milk cheese; sheep's milk cheese; smoked cheese; soft cheese; processed cheese; fresh unripened cheese; blended cheese; hard cheese; cheese powder; soft-ripened cheeses; ripened cheeses; mold-ripened cheeses; cottage cheese; tahini [sesame seed paste]; curd; cheese curd; tofu; veal; chicken croquettes; tomatoes, preserved; tomatoes, processed; peeled tomatoes; cod, not live; truffles, preserved; dried truffles [edible fungi]; tuna, not live; snails, canned; snails, cooked; snails prepared for human consumption; oysters, not live; abalones, not live; milk ferments for culinary purposes; rennet; chicken breast fillets; fish fillets; dates; dates, processed; dates, dried; pistachios, processed; meatballs; glazed fruits; frozen fruits; fruit preserved in alcohol; pickled fruits; sliced fruits, canned; fruit, processed; potato flakes; coconut flakes; hummus [chickpea paste]; edible flowers, processed; processed edible flowers in crystallized form; fruit peel; chowder; soft-shelled turtles, not live; blueberries, processed; dried prunes; preserved garlic; lentils, preserved; lentils, dried; banana chips; potato crisps; low-fat potato crisps; vegetable chips; soya chips; fruit chips; bacon rinds; pork rinds; spinach, frozen; spinach, canned; spinach, cooked; non-alcoholic eggnog; seaweed extracts for food; poultry extracts; tomato extracts; apples, processed; lamb, processed; walnut kernels; nutmeats; frozen eggs; hen's eggs; eggs, processed; quail eggs; snail eggs for consumption; duck eggs; yams, processed; apples, glazed.

30 – Milk jam; piccalilli; peanut butter shavings; coffee, tea, cocoa and coffee substitutes; rice; tapioca and sago; flour and preparations made from cereals; bread, pastries and confectionery; ice cream; sugar, honey, treacle; yeast, baking-powder; salt; mustard; vinegar, sauces [condiments]; spices; ice for refreshment; aromatic preparations for food; flavorings, other than essential oils, for cakes; fruit flavorings, other than essential oils, for beverages; flavorings, other than essential oils, for soups; food flavorings, other than essential oils, for foodstuffs; coffee flavorings; fruit flavorings, other than essential oils, for foodstuffs; almond flavorings, other than essential oils, for foodstuffs; baguettes [French loaves]; star aniseed; cereal bars; high-protein cereal bars; muesli bars; flapjacks [oat bars]; chocolate bars; filled chocolate bars; biscuits; cheese-flavored biscuits; pancakes; packaged meals

consisting primarily of pasta or rice; pasta-based prepared meals; prepared meals consisting primarily of pasta or rice; frozen meals consisting primarily of pasta or rice; noodle-based prepared meals; rice-based prepared meals; fruit ice bars; fruit ice cream bars; ice milk bars; bread rolls; jam buns; cream buns; vanillin [vanilla substitute]; vanilla flavorings for foodstuffs; cotton candy; waffles; vermicelli; natural sweeteners; sausage binding materials; binding agents for ice cream; seawater for cooking; seaweed [condiment]; baked goods; biscuits for cheese; malt biscuits; clove powder [spice]; cloves [spice]; cake frosting [icing]; honey glazes for ham; frosting; glucose for culinary purposes; croutons; custards [baked desserts]; custard-based desserts; chocolate desserts; gluten additives for culinary purposes; processed ginseng for use as an herb, spice or flavoring; thickening agents for cooking foodstuffs; leaven; rice-based snack food; cereal-based snack food; chicory-based coffee substitutes; vegetal preparations for use as coffee substitutes; ice cream substitutes; soya-based ice cream substitutes; sugar substitutes; tea substitutes; dressings for salad; roasted coffee beans; sugar-coated coffee beans; toasted corn kernels; cereals, processed; grains, processed; pasta; fruit jellies [confectionery]; confectionery for decorating Christmas trees; frozen confectionery; cakes; pastries; peanut confectionery; almond confectionery; pasta shells; pasta for soups; fresh pasta; pasties; ginger, preserved, for use as a spice; cocoa-based ingredients for confectionery products; toffee; frozen yogurt [confectionery ices]; prepared cocoa beverages; cocoa powder; cocoa mixes; cream of tartar for culinary purposes; capers; caramels [sweets]; sugar-coated hard caramels; curry [spice]; processed buckwheat porridge; milk-based gruels for food; chervil, preserved; ketchup [sauce]; tomato ketchup; quiches; gluten prepared as foodstuff; flour-based steamed stuffed dumplings; rice dumplings; peanut brittle; puffed cheese curls [corn snacks]; sweets; gum sweets; gummy candies; candy made with caramel; liquorice [confectionery]; peppermint sweets; starch-based sweets; bonbons made of sugar; chocolate candies; cinnamon powder [spice]; cinnamon [condiment]; decaffeinated coffee; ground coffee; instant coffee; iced coffee; unroasted coffee; cornstarch for culinary purposes; crackers; rice crackers; custard; custard powder; crème caramels; chocolate-coated pretzels; pretzels; croissants; hominy grits; semolina; oatmeal; pearl barley; crushed barley; groats for human food; ice cubes; corn, milled; corn, processed; corn, roasted; meat pies; turmeric for food; couscous [semolina]; dried wheat gluten; farinaceous foods; noodles; bean-starch noodles; instant noodles; rice noodles; dried noodles; candy; ice milk; ice, natural or artificial; edible fruit ices; flavored ices; fried dough cookies; chalupas [corn tortillas]; millet cakes; rice cakes; poppadums; mayonnaise; macaroni; maltose; hominy; marzipan; molasses syrup for culinary purposes; royal jelly; royal jelly for human consumption, not for me-

dical purposes; fruit ice cream; bean meal; buckwheat flour; Tapioca flour for food; potato flour; corn flour; meal; wheat flour; soya flour; rice flour; barley meal; dessert mousses [confectionery]; chocolate mousses; muesli; mint for confectionery; cocoa beverages with milk; coffee beverages with milk; prepared coffee beverages; coffee-based beverages containing milk; cocoa-based beverages; chocolate-based beverages with milk; tea-based beverages with fruit flavoring; tea-based beverages; chocolate beverages with milk; chocolate-based beverages; herbal infusions; sage tea; custard-based fillings for cakes and pies; bread-based stuffing mixes; chocolate fillings for bakery products; crushed oats; oats, processed; husked oats; banana fritters; pineapple fritters; apple fritters; chocolate-coated nuts; nutmegs; pizza bases; stick liquorice [confectionery]; breadsticks; curry paste; soya bean paste [seasoning]; chocolate paste; lozenges [confectionery]; mints for breath freshening; non-medicated lozenges [confectionery]; molasses for food; pelmeni; pelmeni stuffed with berry filling; manti [dumplings stuffed with meat]; khinkali [dumplings stuffed with meat]; pepper; allspice; hot pepper powder [spice]; cracked peppercorns for use as seasonings or flavorings; dried chili peppers [seasoning]; pesto; cookies; onion biscuits; petit-beurre biscuits; savory biscuits; saltine petit-beurre biscuits; pies; mincemeat pies; poultry and game meat pies; almond cakes; custard tarts; pizzas; fresh pizzas; breath freshening pastilles; meat gravies; fondants [confectionery]; donuts; popcorn; caramel-coated popcorn; powders for making ice cream; mustard meal; mustard powder [spice]; yeast powder; curry powder [spice]; garlic powder; chocolate powder; pralines; prepared horseradish [condiment]; meat tenderizers for household purposes; cereal preparations; breakfast cereals; oat-based food; chocolate products; propolis; propolis [bee glue] for human consumption; gingerbread; petits fours; puddings; rice pudding; cake powder; powdered sugar; wheat, processed; pounded wheat; fruit coulis [sauces]; ravioli; sugar-free chewing gum [confectionery]; chewing gum for breath freshening; chewing gum; relish [condiment]; cooked rice; puffed rice; artificial rice; brown rice; steamed rice; enriched rice; wheat germ for human consumption; spring rolls; pasta salads; rice salads; white sugar; cube sugar; palm sugar; aniseed; linseed for culinary purposes [seasoning]; pancake syrup; golden syrup; starch syrup for culinary purposes; table syrup; chocolate syrups; pastry; confectionery; sweetmeats made of sesame oil; cream puffs; pancake mixes; instant doughnut mixes; instant pudding mixes; cookie mixes; ice cream mixes; pastry mixes; gravy mixes; frosting mixes; cake mixes; mixtures of coffee and chicory; seasoned coatings; seasoning mixes; spice mixes; crab boil [seasoning]; curry spice mixes; snack mixes consisting of crackers, pretzels or popped popcorn; wheat-based snack foods; cheese flavoured puffed corn snacks; extruded wheat snacks; muesli snacks; baking soda [bi-

carbonate of soda for cooking purposes]; malt for human consumption; salt for preserving foodstuffs; cooking salt; celery salt; table salt; table salt mixed with sesame seeds; sorbets [ices]; hot dog sandwiches; ham glaze; curry sauce; soya sauce; tomato sauce; pasta sauce; sauces [condiments]; spaghetti; canned spaghetti in tomato sauce; spaghetti with meatballs; seasonings; cocoa spreads; chocolate spreads containing nuts; preparations for stiffening whipped cream; confectionery chips for baking; vanilla pods; rusks; breadcrumbs; sushi; sandwiches; fish sandwiches; tabbouleh; tacos; tarts; tarts with a sweet filling made from dehydrated fruit; dough; frozen pastry; wafer dough; cookie dough; frozen cookie dough; pizza dough; pastry dough; bread dough; almond paste; chocolate toppings; tortillas; tortilla shells; ice cream cakes; iced cakes; fruit cakes; processed herbs [seasonings]; garden herbs, preserved [seasonings]; dried herbs for culinary purposes; cinnamon sticks; candy decorations for cakes; flavored vinegar; wine vinegar; beer vinegar; ferments for pastes; halvah; wholemeal bread; bread; unleavened bread; pita bread; bread flavored with spices; bread made with soya beans; fruit bread; crispbread; garlic bread; corn flakes; oat flakes; chips [cereal products]; horseradish; chicory [coffee substitute]; chicory and chicory mixtures for use as substitutes for coffee; herbal teas, other than for medicinal use; fruit teas; theine-free tea; theine-free tea with added sweeteners; white tea; green tea; roasted barley tea; lime tea; linden tea; instant tea; iced tea; chai tea; black tea; chutneys [condiments]; chips made from soya flour; tortilla chips; corn chips; corn curls [cheese-flavored puffed corn snacks]; puffed cheese balls [corn snacks]; saffron [seasoning]; chocolate; hot chocolate; milk chocolate; filled chocolates; malt extract for food; extracts for use as food flavorings, other than essential oils; yeast extracts for human consumption; cocoa extracts for human consumption; coffee extracts; malt extracts for use as food flavorings; tea extracts for culinary purposes; coffee essences; essences for foodstuffs, except etheric essences and essential oils; husked barley; pickled ginger [condiment] (term considered too vague by the International Bureau – Rule 13 (2) (b) of the Regulations).

43 – Services for providing food and drink; temporary accommodation; accommodation bureau services [hotels, boarding houses]; rental of temporary accommodation in vacation homes and apartments; rental of temporary accommodation; rental of temporary accommodation in the nature of villas and bungalows; rental of wall hangings for hotels; rental of beds for hotels; rental of futon and quilts for hotels; rental of furniture for hotels; rental of floor coverings for hotels; rental of meeting rooms; rental of tableware, other than knives, forks and spoons; rental of chairs and tables; rental of curtains for hotels; reservation of temporary accommodation in the nature of vacation homes; reservation of temporary accommodation in ho-

tels and boarding houses; reservation of temporary accommodation via the Internet; booking of campground accommodation; hotel reservations; temporary accommodation reservations; boarding house bookings; making hotel reservations for others; reservation of hotel accommodation; restaurant reservation services; hotel accommodation services; catering services for hotels; retirement home services; take-out food and drink services; snack-bar services; hotel information services; cafés; cafeteria services; consultancy provided by telephone call centers and hotlines in the field of temporary accommodation; mobile catering services; motel services; providing temporary accommodation in hotels, motels and boarding houses; providing temporary accommodation in vacation homes; providing temporary accommodation in vacation apartments; providing temporary accommodation in boarding houses; providing temporary accommodation for guests; providing accommodation in hotels and motels; arranging temporary housing accommodations; arranging and providing temporary accommodation; arranging hotel accommodation; boarding for animals; boarding house services; serving of alcoholic beverages; serving food and drink in bistros; serving food and drink for guests; serving food and drink in Internet cafés; serving food and drink in doughnut shops; serving food and drink in retail and takeaway establishments; serving food and drink for guests in restaurants; serving of tea, coffee, cocoa, carbonated drinks or fruit juice beverages; food and drink catering for banquets; supplying meals to the homeless or underprivileged; providing of food and drink for patients and guests; providing food and drink to underprivileged persons for charitable purposes; tourist home services; providing information about temporary accommodation services; providing information about crèche services; providing information about temporary accommodation via the Internet; providing information about wine characteristics; providing conference rooms, conference facilities and meeting facilities; providing community centers for social gatherings and meetings; providing on-line advice and information services relating to wine and food pairings; providing on-line information relating to vacation accommodation reservations; providing on-line information relating to hotel reservations; providing food and drink; providing food and drink catering services for exhibition facilities; providing food and drink in bistros; providing food and drink in Internet cafés; providing food and drink in doughnut shops; providing food and drink in restaurants and bars; providing food and drink for guests; providing food and drink for guests in restaurants; providing food and drink as part of hospitality services; providing food, drink and temporary accommodation for guests; advice concerning cooking recipes; bar services; hotel, motel and boarding house services; hotel room reservation services; providing travel lodging information services and travel lodging booking agency services for travelers; res-

taurant services; preparation and provision of food and drink for immediate consumption; preparation and provision of food and drink for consumption on and off the premises; preparation and provision of food and drink for consumption in retail establishments; preparation of food for immediate consumption; services for the preparation of food and drink; rental of cooking apparatus; rental of chairs, tables, table linen, glassware; rental of lighting apparatus; rental of tents; rental of transportable buildings; rental of towels for hotels; rental of drinking water dispensers; reservation of hotel rooms for travellers; reservation of rooms for travellers; restaurant, bar and catering services; fast-food restaurants and snack-bars; self-service restaurants; canteens; tourist restaurant services; agency services for booking hotel accommodation; agency services for the reservation of temporary accommodation; holiday camp services [lodging]; bar and bistro services; bar and catering services; juice bar services; reservation and booking services for hotels, restaurants and holiday accommodation; hotel reservation services provided via the Internet; buffet services for cocktail lounges; delicatessens [restaurants]; wine bar services; temporary accommodation and catering services for guests; providing temporary lodging at holiday camps; providing campground facilities; bar and cocktail lounge services; consultancy services in the field of culinary arts; consultancy services in the field of food and drink catering; catering services for hospitals; catering services for hospitality suites; catering services for retirement homes; catering services for nursing homes; catering services for conference centers; catering services for company cafeterias; catering services for the provision of food and drink; catering services for educational establishments; canteen services for schools; resort hotel services; temporary accommodation provided by dude ranches; pubs; boarding for pets; pet day-care services; catering in fast-food cafeterias; serving food and drink in restaurants and bars; food and drink catering; food and drink catering for cocktail parties; food preparation services; take-away fast food services; fast food and non-stop restaurant services; restaurants featuring home delivery; take-away restaurant services; salad bar services; travel agency services for reserving temporary accommodation; travel agency services for booking hotel accommodation; travel agency services for making hotel reservations; travel agency services for making restaurant reservations; preschooler and infant care at daycare centers; tea room services; personal chef services; day-nursery [crèche] services.

---

(260) AM 2024 123373 A  
 (800) 1734898  
 (151) 2023 04 27  
 (891) 2023 04 27  
 (731) ROLEX SA  
 3-5-7, rue François-Dussaud, CH-1211  
 GENEVE 26, Switzerland

(540)



(591) Black, white  
 (531) 24.03.07; 24.03.18; 24.03.19; 24.09.02;  
 24.09.07; 26.01.01; 26.01.04; 26.01.21

(511)

14 – Timepieces, namely, watches, wrist-watches, component parts for timepieces and accessories for timepieces not included in other classes, clocks and other chronometric instruments, chronometers, chronographs (timepieces), watch bands, dials (timepieces), boxes and cases for timepieces and jewelry, watch movements and their parts; jewelry; precious stones and semi-precious stones; precious metals and alloys thereof; pins (jewelry).

35 – Retail or wholesale services for watches and timepieces; online retail or wholesale store services; retail by electronic means; Internet advertising services.

37 – Services for the repair, servicing, revision and restoration of watches and timepieces; providing advice and information relating to services for the repair, servicing, revision and restoration of watches and timepieces.

42 – Hosting of platforms on the Internet; providing Internet platforms (software); quality control of products and services; services for the quality control, certification and authentication of watches and timepieces; inspection of products for quality control purposes.

(260) AM 2024 123375 A  
 (800) 1734953  
 (151) 2021 08 16  
 (891) 2021 08 16  
 (731) BEYAZ FIRIN GIDA VE İHTİYAÇ  
 MADDELERİ SANAYİ VE TİCARET  
 ANONİM ŞİRKETİ  
 Yaşa Cad. No:23, Kadıköy, İstanbul,  
 Türkiye

(540)



Beyaz Fırın

(591) White and orange  
 (531) 27.05.01; 27.05.09; 27.05.21; 29.01.12  
 (511)

29 – Meat, fish, poultry and game; processed meat products; prepared nuts and dried fruits as snacks; soups, bouillon; processed olives, olive paste, milk products; butter; edible oils; dried, preserved, frozen, cooked, smoked or salted fruits and vegetables; tomato paste, prepared nuts and dried fruits as snacks; hazelnut spreads and peanut butter; tahini (sesame seed paste); eggs and powdered eggs; potato chips.

30 – Coffee, cocoa; coffee or cocoa based beverages, chocolate based beverages; pasta, stuffed dumplings, noodles; pastries and bakery products based on flour; desserts based on flour and chocolate; bread, simit [Turkish ring-shaped bagel covered with sesame seeds], poğaç [Turkish bagel], pita, sandwiches, katmer [Turkish pastry], pies, cakes, baklava [Turkish dessert based on dough coated with syrup], kadayıf [Turkish dessert based on dough coated with syrup]; puddings, custard, kazandibi [Turkish pudding], rice pudding, keşkül [Turkish pudding], honey, bee glue for human consumption, propolis for food purposes; condiments for foodstuff, vanilla (flavoring), spices, sauces (condiments), tomato sauce; yeast, baking powder, flour, semolina, starch for food; sugar, cube sugar, powdered sugar; tea, ice tea; confectionery, chocolate, biscuits, crackers, wafers; chewing gums; ice-cream, edible ices; salt; cereal-based snack food, popcorn, crushed oats, corn chips, breakfast cereals, processed wheat for human consumption, crushed barley for human consumption, processed oats for human consumption, processed rye for human consumption, rice; molasses for food.

35 – Advertising, marketing and public relations; organization of exhibitions and trade fairs for commercial or advertising purposes; office functions; secretarial services; arranging newspaper subscriptions for others; compilation of statistics; rental of office machines; systemization of information into computer databases; telephone answering for unavailable subscribers; business management, business administration and business consultancy; accounting; commercial consultancy services; personnel recruitment, personnel placement, employment agencies, import-export agencies; temporary personnel placement services; auctioneering; the bringing together, for the benefit of others, of a variety of goods, namely, pharma-

ceutical and veterinary preparations for medical purposes, chemical preparations for medical and veterinary purposes, chemical reagents for pharmaceutical and veterinary purposes, dietary supplements for pharmaceutical and veterinary purposes, dietary supplements, nutritional supplements, medical preparations for slimming purposes, food for babies, herbs and herbal beverages adapted for medicinal purposes, dental preparations and articles, teeth filling material, dental impression material, dental adhesive sand material for repairing teeth, sanitary preparations for medical use, hygienic pads, hygienic tampons, plasters, materials for dressings, diapers made of paper and textiles for babies and adults, preparations for destroying vermin, herbicides, fungicides, preparations for destroying rodents, deodorants, other than for human beings or for animals, air purifying preparations, air deodorizing preparations, disinfectants, antiseptics, detergents for medical purposes, meat, fish, poultry and game, processed meat products, prepared nuts and dried fruits as snacks, soups, bouillon, processed olives, olive paste, milk products, butter, edible oils, dried, preserved, frozen, cooked, smoked or salted fruits and vegetables, tomato paste, prepared nuts and dried fruits as snacks, hazelnut spreads and peanut butter, tahini (sesame seed paste), eggs and powdered eggs, potato chips, coffee, cocoa, coffee or cocoa based beverages, chocolate based beverages, pasta, stuffed dumplings, noodles, pastries and bakery products based on flour, desserts based on flour and chocolate, bread, simit [Turkish ring-shaped bagel covered with sesame seeds], pogaça [Turkish bagel], pita, sandwiches, katmer [Turkish pastry], pies, cakes, baklava [Turkish dessert based on dough coated with syrup], kadayıf [Turkish dessert based on dough], desserts based on dough coated with syrup, puddings, custard, kazandibi [Turkish pudding], rice pudding, keşkül [Turkish pudding], honey, bee glue for human consumption, propolis for food purposes, condiments for foodstuff, vanilla (flavoring), spices, sauces (condiments), tomato sauce, yeast, baking powder, flour, semolina, starch for food, sugar, cube sugar, powdered sugar, tea, ice tea, confectionery, chocolate, biscuits, crackers, wafers, chewing gums, ice-cream, edible ices, salt, cereal-based snack food, popcorn, crushed oats, corn chips, breakfast cereals, processed wheat for human consumption, crushed barley for human consumption, processed oats for human consumption, processed rye for human consumption, rice, molasses for food, agricultural and horticultural products, seeds, forestry products, live animals, fertilized eggs for hatching, plants, dried plants for decoration, fresh garden herbs, dried garden herbs for decoration, animal foodstuffs, malt not for human consumption, beers, preparations for making beer, mineral water, spring water, table water, soda water, fruit and vegetable juices, fruit and vegetable concentrates and extracts for making beverages, non-alcoholic soft drinks, energy drinks, protein-enriched sports beverages, alcoholic

beverages (except beers), wines, raki [traditional Turkish alcoholic drink], whisky, liqueurs, alcoholic cocktails, enabling customers to conveniently view and purchase those goods, such services may be provided by retail stores, wholesale outlets, through vending machines, mail order catalogues or by means of electronic media.

43 – Services for providing food and drink; temporary accommodation; day-nurseries (crèches); boarding for animals.

(260) AM 2024 123376 A

(800) 1734955

(151) 2022 10 06

(891) 2022 10 06

(731) Euro Games Technology Ltd.

4, "Maritsa" Str., "Vranya-Lozen-Triugulnika",  
BG-1151 Sofia, Bulgaria

(540)

## Iggy the Piggy

(591) Black, white

(511)

9 – Operating computer software for main frame computers; monitors (computer hardware); computer hardware; apparatus for recording images; monitors (computer programs); computer game programs; recorded computer game programs; apparatus for recording, transmission or reproduction of sound or images; communications servers (computer hardware); electronic components for gambling machines; computer application software featuring games and gaming; computer software for the administration of on-line games and gaming; computer hardware for games and gaming; hardware and software for gambling, gambling machines, gambling games on the Internet and via telecommunication network; computer systems; computer operating system software; computer terminals; interactive terminals; multimedia terminals; electronic terminals for generating lottery tickets; interactive touch screen terminals; computer touchscreens; electronic display panels; liquid crystal display screens; digital signage display panels; multimedia software; multimedia apparatus and instruments; interactive multimedia software for playing games; computer screens; LCD large-screen displays; liquid crystal displays [LCDs] for home theatres; media streaming software; computer application software for streaming audio-visual media content via the Internet; software; computer gaming software; computer software packages; computer operating system software; computer software, recorded; software drivers; virtual reality software; games software; entertainment software for computer games; computer programs for network management; electronic lottery tickets; computer software platforms; operating systems; interactive computer systems; operating system programs; computer game

software for use with on-line interactive games; games software for use with video game consoles.

28 – Gaming machines for gambling; chips for gambling; mah-jong; arcade games; gambling machines operating with coins, notes and cards; games; electronic games; parlor games; gaming chips; gaming tables; slot machines [gaming machines]; LCD game machines; slot machines and gaming devices; coin-operated amusement machines; roulette chips; poker chips; chips and dice [gaming equipment]; gaming equipment for casinos; roulette tables; gaming roulette wheels; casino games; gambling machines and amusement machines, automatic and coin-operated; coin-operated amusement machines and/or electronic coin-operated amusement machines with or without the possibility of gain; boxes for coin-operated amusement machines, slot machines and gaming machines; electronic or electrotechnical amusement machines and apparatus, gaming machines, coin-operated entertainment machines; housings for coin-operated amusement machines, gaming equipment, gaming machines, machines for gambling; electropneumatic and electrical gambling machines (slot machines); lottery games; electronic targets for games and sports; video game consoles.

41 – Gambling services; entertainment services related to gambling; gaming services for entertainment purposes; casino, gaming and gambling services; training in the development of software systems; provision of gaming equipment for gambling halls; providing casino equipment [gambling]; gaming machine entertainment services; providing casino facilities [gambling]; gaming hall services; games equipment rental; rental of gaming machines; providing amusement arcade services; rental of gaming machines with images of fruits; editing or recording of sounds and images; sound recording and video entertainment services; hire of sound reproducing apparatus; provision of gaming equipment for casinos; providing of gambling facilities; online gambling services; casino services; provision of gaming facilities and gaming hall facilities, Internet casinos and online gambling services; lottery services; organization of lotteries; provision of games by means of a computer based system; online interactive entertainment; on-line casino services; on-line game services through mobile devices; providing online entertainment in the nature of game tournaments; providing on-line information in the field of computer gaming entertainment; sports betting services; online sports betting services; providing online games and games of chance; rental of video game consoles.

(260) AM 2024 123377 A

(800) 1734959

(151) 2022 11 17

(891) 2022 11 17

(731) LIMITED LIABILITY COMPANY "BY WORLD"

st. Prechistenka, 40/2, building 1, floor 2, room. XXIV, municipal district Khamovniki ext.

ter.g., RU-119034 Moscow, Russian Federation

(540)



(591) Black, white

(531) 24.01.03; 26.03.03; 26.03.06; 26.03.07; 26.11.13

(511)

3 – Abrasives; amber [perfume]; descaling preparations for household purposes; antistatic preparations for household purposes; aromatics [essential oils]; air fragrancing preparations; cake flavourings [essential oils]; flavourings for beverages [essential oils]; food flavourings [essential oils]; breath freshening sprays; canned pressurized air for cleaning and dusting purposes; balms, other than for medical purposes; lip glosses; polishing stones; abrasive paper; emery paper; polishing paper; petroleum jelly for cosmetic purposes; shoe polish; cobblers' wax; cotton wool for cosmetic purposes; sachets for perfuming linen; drying agents for dishwashing machines; adhesives for cosmetic purposes; scented water; Javelle water; lavender water; toilet water; wax for parquet floors; floor wax; non-slipping wax for floors; depilatory wax; moustache wax; tailors' wax; polish for furniture and flooring; shoemakers' wax; polishing wax; massage gels, other than for medical purposes; heliotropine; dental bleaching gels; geraniol; make-up; deodorants for pets; depilatory preparations; air fragrance reed diffusers; scented wood; perfumes; non-slipping liquids for floors; windscreen cleaning liquids; greases for cosmetic purposes; volcanic ash for cleaning; perfumery; decorative transfers for cosmetic purposes; ionone [perfumery]; shaving stones [astringents]; smoothing stones; eyebrow pencils; cosmetic pencils; silicon carbide [abrasive]; carbides of metal [abrasives]; alum stones [astringents]; tripoli stone for polishing; adhesives for affixing false eyelashes; adhesives for affixing false hair; hair conditioners; quillaia bark for washing; corundum [abrasive]; beard dyes; colorants for toilet purposes; cosmetic dyes; shoe cream; polishing creams; cosmetic creams; skin whitening creams; polishing rouge; incense; hair spray; nail varnish; hair lotions; lotions for cosmetic purposes; after-shave lotions; beauty masks; oils for perfumes and scents; oils

for cosmetic purposes; oils for toilet purposes; essential oils; essential oils of cedarwood; essential oils of lemon; essential oils of citron; oils for cleaning purposes; bergamot oil; gaultheria oil; jasmine oil; lavender oil; almond oil; rose oil; oil of turpentine for degreasing; whitening; cleaning chalk; almond milk for cosmetic purposes; cleansing milk for toilet purposes; musk [perfumery]; deodorant soap; shaving soap; soap for brightening textile; cakes of toilet soap; antiperspirant soap; soap for foot perspiration; soap; almond soap; mint for perfumery; cosmetic kits; emery; nail art stickers; false nails; eau de Cologne; extracts of flowers [perfumes]; joss sticks; pastes for razor strops; pumice stone; lipstick cases; hydrogen peroxide for cosmetic purposes; breath freshening strips; teeth whitening strips; sandcloth; glass cloth [abrasive cloth]; lipsticks; pomades for cosmetic purposes; shaving preparations; cosmetic preparations for baths; bath preparations, not for medical purposes; hair straightening preparations; hair waving preparations; laundry soaking preparations; grinding preparations; smoothing preparations [starching]; colour-removing preparations; leather bleaching preparations; polishing preparations; denture polishes; mouthwashes, not for medical purposes; cosmetic preparations for slimming purposes; eye-washes, not for medical purposes; fabric softeners for laundry use; preparations for washing; dry-cleaning preparations; paint stripping preparations; lacquer-removing preparations; make-up removing preparations; floor wax removers [scouring preparations]; varnish-removing preparations; rust removing preparations; nail care preparations; cleaning preparations; preparations for cleaning dentures; wallpaper cleaning preparations; preparations for unblocking drain pipes; chemical cleaning preparations for household purposes; collagen preparations for cosmetic purposes; bleaching preparations [decolorants] for household purposes; aloe vera preparations for cosmetic purposes; sunscreen preparations; colour-brightening chemicals for household purposes [laundry]; breath freshening preparations for personal hygiene; shining preparations [polish]; make-up powder; diamantine [abrasive]; stain removers; nail varnish removers; vaginal washes for personal sanitary or deodorant purposes; scouring solutions; false eyelashes; tissues impregnated with cosmetic lotions; tissues impregnated with make-up removing preparations; safrol; massage candles for cosmetic purposes; laundry blueing; turpentine for degreasing; potpourris [fragrances]; bleaching soda; washing soda, for cleaning; bath salts, not for medical purposes; bleaching salts; fumigation preparations [perfumes]; leather preservatives [polishes]; ammonia [volatile alkali] [detergent]; astringents for cosmetic purposes; eyebrow cosmetics; make-up preparations; sun-tanning preparations [cosmetics]; hair dyes; neutralizers for permanent waving; cosmetic preparations for eyelashes; cosmetic preparations for skin care; shoe wax; cosmetics; cosmetics for children; cosmetics for animals; mascara; cleansers for intimate per-

sonal hygiene purposes, non medicated; douching preparations for personal sanitary or deodorant purposes [toiletries]; detergents, other than for use in manufacturing operations and for medical purposes; degreasers, other than for use in manufacturing processes; bleaching preparations [decolorants] for cosmetic purposes; antiperspirants [toiletries]; toiletry preparations; phytocosmetic preparations; talcum powder, for toilet use; cotton swabs for cosmetic purposes; terpenes [essential oils]; emery cloth; cloths impregnated with a detergent for cleaning; henna [cosmetic dye]; shampoos for animals [non-medicated grooming preparations]; shampoos for pets [non-medicated grooming preparations]; dry shampoos; shampoos; sandpaper; soda lye; herbal extracts for cosmetic purposes; ethereal essences; badian essence; mint essence [essential oil]; creams for leather; deodorants for human beings or for animals; dentifrices; toothpaste; laundry glaze; laundry bleach; preparations to make the leaves of plants shiny; starch for laundry purposes; starch glaze for laundry purposes.

4 – Anthracite; benzine; biomass fuel; wood briquettes; combustible briquettes; petroleum jelly for industrial purposes; wax [raw material]; ozokerite; wax for lighting; industrial wax; belting wax; carnauba wax; beeswax; beeswax for use in the manufacture of cosmetics; gas for lighting; oil-gas; fuel gas; producer gas; solidified gases [fuel]; fuel; lubricating graphite; additives, non-chemical, to motor fuel; firewood; paper spills for lighting fires; cutting fluids; fish oil, not edible; greases for the preservation of leather; oils for lighting; grease for leather; grease for footwear; tallow; industrial grease; kerosene; coke; lanolin for use in the manufacture of cosmetics; ligroin; wood spills for lighting fires; wax for skis; mazut; fuel oil; oils for the preservation of leather; oils for paints; oils for releasing form work [building]; oils for the preservation of masonry; textile oil; lubricating oil; industrial oil; moistening oil; coal tar oil; coal naphtha; castor oil for industrial purposes; bone oil for industrial purposes; motor oil; sunflower oil for industrial purposes; rape oil for industrial purposes; lubricants; naphtha; petroleum, raw or refined; nightlights [candles]; oleine; paraffin; dust removing preparations; soya bean oil preparations for non-stick treatment of cooking utensils; non-slipping preparations for belts; coal dust [fuel]; firelighters; perfumed candles; Christmas tree candles; candles; grease for arms [weapons]; lubricating grease; grease for belts; vaporized fuel mixtures; dust absorbing compositions; dust binding compositions for sweeping; dust laying compositions; alcohol [fuel]; stearine; benzene fuel; diesel oil; lighting fuel; xylene fuel; mineral fuel; carburants; fuel with an alcohol base; petrol; peat [fuel]; peat briquettes [fuel]; tinder; lignite; charcoal [fuel]; coal; coal briquettes; lamp wicks; wicks for candles; ceresine; electrical energy; ethanol [fuel]; petroleum ether; wool grease; methylated spirit.



5 – Acaricides; aconitine; alkaloids for medical purposes; alginates for pharmaceutical purposes; algicides; aldehydes for pharmaceutical purposes; dental amalgams of gold; dental amalgams; amino acids for veterinary purposes; amino acids for medical purposes; analgesics; anaesthetics; antibiotics; antiseptics; medicine cases, portable, filled; first-aid boxes, filled; aluminium acetate for pharmaceutical purposes; acetates for pharmaceutical purposes; germicides; balms for medical purposes; bandages for dressings; diagnostic biomarker reagents for medical purposes; biocides; bromine for pharmaceutical purposes; paper for mustard plasters; fly catching paper; reagent paper for veterinary purposes; reagent paper for medical purposes; mothproofing paper; petroleum jelly for medical purposes; vaccines; oxygen baths; antiseptic cotton; aseptic cotton; absorbent cotton; wadding for medical purposes; cotton for medical purposes; dietetic substances adapted for medical use; radiological contrast substances for medical purposes; nutritive substances for microorganisms; radioactive substances for medical purposes; bismuth subnitrate for pharmaceutical purposes; melissa water for pharmaceutical purposes; seawater for medicinal bathing; mineral waters for medical purposes; thermal water; dietary fibre; moulding wax for dentists; gases for medical purposes; guaiacol for pharmaceutical purposes; sexual stimulant gels; haematogen; haemoglobin; hydrastine; hydrastinine; glycerine for medical purposes; glycerophosphates; glucose for medical purposes; gentian for pharmaceutical purposes; hormones for medical purposes; mustard for pharmaceutical purposes; mustard plasters; mud for baths; medicinal mud; gamboge for medical purposes; gurgun balsam for medical purposes; air deodorizing preparations; deodorants, other than for human beings or for animals; diastase for medical purposes; digitalin; vitamin supplement patches; mineral dietary supplements; dietary supplements; albumin dietary supplements; dietary supplements for animals; yeast dietary supplements; alginate dietary supplements; glucose dietary supplements; casein dietary supplements; lecithin dietary supplements; linseed oil dietary supplements; propolis dietary supplements; protein dietary supplements; protein supplements for animals; royal jelly dietary supplements; pollen dietary supplements; wheat germ dietary supplements; linseed dietary supplements; dietary supplements with a cosmetic effect; enzyme dietary supplements; yeast for pharmaceutical purposes; gelatine for medical purposes; cod liver oil; isotopes for medical purposes; immunostimulants; insecticides; iodine for pharmaceutical purposes; iodides for pharmaceutical purposes; alkaline iodides for pharmaceutical purposes; iodoform; calomel [fungicide]; cream of tartar for pharmaceutical purposes; tartar for pharmaceutical purposes; camphor for medical purposes; capsules for medicines; cachets for pharmaceutical purposes; haemostatic pencils; wart pencils; caustic pencils; carbolineum [parasiticide]; caustics for pharmaceutical pur-

poses; cachou for pharmaceutical purposes; quassia for medical purposes; quebracho for medical purposes; oxygen for medical purposes; gallic acid for pharmaceutical purposes; acids for pharmaceutical purposes; adhesives for dentures; surgical glues; stem cells for veterinary purposes; stem cells for medical purposes; cocaine for medical purposes; collagen for medical purposes; collodion for pharmaceutical purposes; corn rings for the feet; medicated sweets; angostura bark for medical purposes; barks for pharmaceutical purposes; cedar wood for use as an insect repellent; condurango bark for medical purposes; croton bark; mangrove bark for pharmaceutical purposes; myrobalan bark for pharmaceutical purposes; quinquina for medical purposes; medicated animal feed; medicinal roots; rhubarb roots for pharmaceutical purposes; lint for medical purposes; starch for dietetic or pharmaceutical purposes; creosote for pharmaceutical purposes; blood for medical purposes; cultures of microorganisms for medical or veterinary use; curare; dental lacquer; liquorice for pharmaceutical purposes; milk sugar for pharmaceutical purposes; candy for medical purposes; adhesive plasters; medicines for alleviating constipation; adhesive tapes for medical purposes; lecithin for medical purposes; lotions for veterinary purposes; medicated hair lotions; lotions for pharmaceutical purposes; medicated after-shave lotions; personal sexual lubricants; lupulin for pharmaceutical purposes; magnesia for pharmaceutical purposes; liniments; ointments for pharmaceutical purposes; sunburn ointments; mercurial ointments; frostbite salve for pharmaceutical purposes; gauze for dressings; medicinal oils; mustard oil for medical purposes; camphor oil for medical purposes; castor oil for medical purposes; oil of turpentine for pharmaceutical purposes; dill oil for medical purposes; dental mastics; dental abrasives; dental impression materials; teeth filling material; dressings, medical; surgical dressings; drugs for medical purposes; medicines for veterinary purposes; serotherapeutic medicines; medicines for human purposes; medicines for dental purposes; menthol; medicinal drinks; moleskin for medical purposes; almond milk for pharmaceutical purposes; powdered milk for babies; royal jelly for pharmaceutical purposes; milk ferments for pharmaceutical purposes; Irish moss for medical purposes; flour for pharmaceutical purposes; linseed meal for pharmaceutical purposes; fish meal for pharmaceutical purposes; fly glue; antibacterial soap; disinfectant soap; medicated soap; freeze-dried meat adapted for medical purposes; mint for pharmaceutical purposes; dietetic beverages adapted for medical purposes; malted milk beverages for medical purposes; narcotics; medicinal infusions; tincture of iodine; eucalyptol for pharmaceutical purposes; tinctures for medical purposes; opium; opodeldoc; decoctions for pharmaceutical purposes; antiparasitic collars for animals; stick liquorice for pharmaceutical purposes; sulfur sticks [disinfectants]; pastilles for pharmaceutical purposes; medicated toothpas-

te; pectin for pharmaceutical purposes; pepsins for pharmaceutical purposes; peptones for pharmaceutical purposes; hydrogen peroxide for medical purposes; pesticides; food for babies; leeches for medical purposes; blood plasma; nicotine patches for use as aids to stop smoking; eyepatches for medical purposes; poultices; compresses; scapulars for surgical purposes; babies' diapers; diapers for pets; diapers for incontinence; bunion pads; breast-nursing pads; pomades for medical purposes; powder of cantharides; pyrethrum powder; anti-uric preparations; bacterial preparations for medical and veterinary use; bacteriological preparations for medical and veterinary use; balsamic preparations for medical purposes; albuminous preparations for medical purposes; biological preparations for veterinary purposes; biological preparations for medical purposes; veterinary preparations; bismuth preparations for pharmaceutical purposes; vitamin preparations; diagnostic preparations for veterinary purposes; diagnostic preparations for medical purposes; bath preparations for medical purposes; therapeutic preparations for the bath; haemorrhoid preparations; preparations for callouses; lice treatment preparations [pediculicides]; acne treatment preparations; preparations to facilitate teething; preparations for the treatment of burns; fumigation preparations for medical purposes; ootherapy preparations; air purifying preparations; bronchodilating preparations; preparations for reducing sexual activity; sterilizing preparations; soil-sterilizing preparations; corn remedies; pharmaceutical preparations for treating dandruff; preparations for destroying noxious animals; herbicides; preparations for destroying dry rot fungus; larvae exterminating preparations; fly destroying preparations; preparations for destroying mice; slug exterminating preparations; preparations for destroying parasites; pharmaceutical preparations for skin care; contact lens cleaning preparations; preparations of microorganisms for medical or veterinary use; lime-based pharmaceutical preparations; styptic preparations; medicated eye-washes; medicinal hair growth preparations; nutraceutical preparations for therapeutic or medical purposes; opiates; anticryptogamic preparations; aloe vera preparations for pharmaceutical purposes; preparations of trace elements for human and animal use; sulfonamides [medicines]; pharmaceutical preparations; pharmaceutical preparations for treating sunburn; enzyme preparations for veterinary purposes; enzyme preparations for medical purposes; phytotherapy preparations for medical purposes; chemico-pharmaceutical preparations; chemical preparations for veterinary purposes; chemical preparations for the diagnosis of pregnancy; chemical preparations for medical purposes; chemical preparations for treating wheat blight; chemical preparations for treating diseases affecting vine plants; chemical preparations for treating mildew; chemical preparations for treating phyloxera; chemical preparations for pharmaceutical purposes; chilblain preparations; mothproofing preparations; co-

llyrium; lead water; chemical conductors for electrocardiograph electrodes; albuminous foodstuffs for medical purposes; dietetic foods adapted for medical purposes; by-products of the processing of cereals for dietetic or medical purposes; homogenized food adapted for medical purposes; freeze-dried food adapted for medical purposes; pharmaceuticals; sanitary towels; panty liners [sanitary]; propolis for pharmaceutical purposes; pearl powder for medical purposes; radium for medical purposes; hydrated chloral for pharmaceutical purposes; solvents for removing adhesive plasters; vaginal washes for medical purposes; solutions for contact lenses; chemical reagents for medical or veterinary purposes; gum for medical purposes; rubber for dental purposes; chewing gum for medical purposes; nicotine gum for use as an aid to stop smoking; insect repellents; insect repellent incense; repellents for dogs; tissues impregnated with pharmaceutical lotions; sarsaparilla for medical purposes; sugar for medical purposes; asthmatic tea; fumigating sticks; massage candles for therapeutic purposes; suppositories; linseed for pharmaceutical purposes; tobacco-free cigarettes for medical purposes; siccatives [drying agents] for medical purposes; syrups for pharmaceutical purposes; turpentine for pharmaceutical purposes; greases for veterinary purposes; greases for medical purposes; lacteal flour for babies; infant formula; soporifics; bicarbonate of soda for pharmaceutical purposes; bath salts for medical purposes; salts for mineral water baths; salts for medical purposes; potassium salts for medical purposes; sodium salts for medical purposes; smelling salts; mineral water salts; malt for pharmaceutical purposes; semen for artificial insemination; alcohol for pharmaceutical purposes; medicinal alcohol; alloys of precious metals for dental purposes; ergot for pharmaceutical purposes; cooling sprays for medical purposes; antibacterial handwashes; adjuvants for medical purposes; astringents for medical purposes; vermifuges; disinfectants for hygiene purposes; disinfectants for chemical toilets; appetite suppressants for medical purposes; medical preparations for slimming purposes; parasiticides; mouthwashes for medical purposes; febrifuges; depuratives; animal washes [insecticides]; detergents for medical purposes; cattle washes [insecticides]; dog washes [insecticides]; insecticidal veterinary washes; vesicants; purgatives; remedies for perspiration; remedies for foot perspiration; chemical contraceptives; antiparasitic preparations; laxatives; tonics [medicines]; medicated toiletry preparations; digestives for pharmaceutical purposes; nervines; bouillons for bacteriological cultures; steroids; strychnine; serums; tanning pills; appetite suppressant pills; slimming pills; antioxidant pills; sanitary tampons; vulnerary sponges; thymol for pharmaceutical purposes; smoking herbs for medical purposes; medicinal herbs; transplants [living tissues]; surgical implants comprised of living tissues; pants, absorbent, for incontinence; sanitary panties; babies' diaper-pants; charcoal for pharmaceutical purposes;

porcelain for dental prostheses; phenol for pharmaceutical purposes; enzymes for veterinary purposes; enzymes for medical purposes; ferments for pharmaceutical purposes; formic aldehyde for pharmaceutical purposes; phosphates for pharmaceutical purposes; fungicides; quinine for medical purposes; chinoline for medical purposes; diabetic bread adapted for medical use; chloroform; flowers of sulfur for pharmaceutical purposes; cement for animal hooves; bone cement for surgical and orthopaedic purposes; dental cements; medicinal tea; herbal teas for medicinal purposes; insecticidal animal shampoos; medicated shampoos; medicated shampoos for pets; pediculicidal shampoos; medicated dry shampoos; pre-filled syringes for medical purposes; eucalyptus for pharmaceutical purposes; herbal extracts for medical purposes; plant extracts for pharmaceutical purposes; tobacco extracts [insecticides]; extracts of hops for pharmaceutical purposes; elixirs [pharmaceutical preparations]; ethers for pharmaceutical purposes; esters for pharmaceutical purposes; cellulose esters for pharmaceutical purposes; rat poison; poisons; bacterial poisons; jalap; disinfectants; all-purpose disinfectants; deodorants for clothing and textiles; acai powder dietetic supplements; cotton swabs for medical purposes; cotton wool swabs for medical purposes; milking grease; douching preparations for medical purposes; sedatives; jujube, medicated; biological tissue cultures for veterinary purposes; biological tissue cultures for medical purposes; fennel for medical purposes; cellulose ethers for pharmaceutical purposes.

7 – 3D printers; vending machines; welding machines, electric; soldering apparatus, gas-operated; vulcanization apparatus; acetylene cleaning apparatus; high pressure washers; apparatus for drawing up beer under pressure; apparatus for aerating water; apparatus for aerating beverages; electrical apparatus for sealing plastics [packaging]; electric arc cutting apparatus; electric arc welding apparatus; electric welding apparatus; inking apparatus for printing machines; electric welding machines; fittings for engine boilers; expansion tanks [parts of machines]; drums [parts of machines]; reels, mechanical, for flexible hoses; brake shoes, other than for vehicles; concrete mixers [machines]; bobbins for weaving looms; harrows; journal boxes [parts of machines]; bulldozers; hoppers [mechanical discharging]; mine borers; railway wagon lifts; rolling mill cylinders; crank shafts; printing rollers for machines; camshafts for vehicle engines; transmission shafts, other than for land vehicles; fans for motors and engines; saw benches [parts of machines]; winnowers; vibrators [machines] for industrial use; bearings [parts of machines]; bellows [parts of machines]; agitators; drilling rigs, floating or non-floating; lawnmowers [machines]; card clothing [parts of carding machines]; nail extractors, electric; emergency power generators; alternators; dynamos; bicycle dynamos; current generators; electricity generators; hydraulic controls for machines, motors and engines; mufflers for

motors and engines; drilling heads [parts of machines]; drilling bits [parts of machines]; cylinder heads for engines; soldering blow pipes, gas-operated; gas-operated blow torches; raking machines; stalk separators [machines]; sieves [machines or parts of machines]; mud catchers and collectors [machines]; tarring machines; rubber tracks being parts of crawlers on mining machines; rubber tracks being parts of crawlers on snow ploughs; rubber tracks being parts of crawlers on loading-unloading machines and apparatus; rubber tracks being parts of crawlers on agricultural machines; rubber tracks being parts of crawlers on construction machines; hydraulic engines and motors; aeronautical engines; aeroplane engines; engines for air cushion vehicles; compressed air engines; jet engines, other than for land vehicles; engines for boats; driving motors, other than for land vehicles; motors, other than for land vehicles; propulsion mechanisms, other than for land vehicles; disintegrators; tympan [parts of printing presses]; holding devices for machine tools; turf removing ploughs; chisels for machines; jacks [machines]; rack and pinion jacks; moving walkways; electric hand drills; crushers for kitchen use, electric; flues for engine boilers; reapers; reapers and binders; millstones; rakes for raking machines; shredders [machines] for industrial use; kitchen grinders, electric; injectors for engines; incubators for eggs; cutting tools being parts of machines; hand-held tools, other than hand-operated; agricultural implements, other than hand-operated; air condensers; control cables for machines, engines or motors; capstans; calenders; rotary steam presses, portable, for fabrics; ditchers [ploughs]; carburettors; sliders for knitting machines; crankcases for machines, motors and engines; steamrollers; pressure valves [parts of machines]; clack valves [parts of machines]; pressure reducers [parts of machines]; tin openers, electric; cowlings [parts of machines]; machine wheels; freewheels, other than for land vehicles; scale collectors for machine boilers; lasts for shoes [parts of machines]; brake pads, other than for vehicles; piston segments; grease rings [parts of machines]; reapers and threshers; coal-cutting machines; compressors [machines]; air pumps [garage installations]; compressors for refrigerators; conveyors [machines]; belt conveyors; converters for steelworks; steam condensers [parts of machines]; aerocondensers; diggers [machines]; rams [machines]; thermic lances [machines]; boxes for matrices [printing]; gear boxes, other than for land vehicles; grease boxes [parts of machines]; housings [parts of machines]; harvesting machines; steam engine boilers; coffee grinders, other than hand-operated; taps [parts of machines, engines or motors]; cranes [lifting and hoisting apparatus]; roller bridges; water separators; spray guns for paint; cranks [parts of machines]; potters' wheels; cultivators [machines]; soldering lamps; winches; ploughshares; belts for conveyors; igniting magnetos; handling machines, automatic [manipulators]; churns; matrices for use in printing; machi-

ne fly-wheels; shearing machines for animals; paper mill machines; blowing machines; knitting machines; galvanizing machines; bending machines; ironing machines; mineworking machines; blowing machines for the compression, exhaustion and transport of gases; blowing machines for the compression, sucking and carrying of grain; net hauling machines [fishing]; electroplating machines; bottle sealing machines; sealing machines for industrial purposes; engraving machines; crushing machines; waste disposal units; earth moving machines; cord making machines; lace making machines; butter machines; cigarette machines for industrial purposes; sausage making machines; stereotype machines; hosiery looms; grinding machines; dyeing machines; bottle washing machines; dishwashers; bottle filling machines; racket stringing machines; leather-working machines; dairy machines; glass-working machines; tobacco processing machines; grain husking machines; painting machines; oil refining machines; peeling machines; machines for processing plastics; printing machines for use on sheet metal; brewing machines; whitewashing machines; road sweeping machines, self-propelled; bitumen making machines; papermaking machines; pasta making machines; machines for the production of sugar; weeding machines; sifting machines; puddling machines; notchers [machine tools]; bread cutting machines; road making machines; railroad constructing machines; rammers [machines]; rail-laying machines; bottle capping machines; bottle stoppering machines; packaging machines; waste compacting machines; die-stamping machines; stamping machines; darning machines; drainage machines; wrapping machines; grain separators; bookbinding apparatus and machines for industrial purposes; machines and apparatus for cleaning, electric; machines and apparatus for carpet shampooing, electric; machines and apparatus for polishing [electric]; size adjustment cutting machines for industrial purposes; punching machines; riveting machines; kitchen machines, electric; foundry machines; smoothing presses; fleshing machines; washing machines; flour mill machines; type-setting machines [printing]; hemming machines; grating machines for vegetables; braiding machines; wringing machines for laundry; cutting machines; steam engines; printing machines; rotary printing presses; compressed air machines; tilling machines for agricultural purposes; trimming machines; spinning machines; filling machines; friezing machines; cutters [machines]; satinizing machines; agricultural machines; mixing machines; sorting machines for industry; stitching machines; washing machines [laundry]; coin-operated washing machines; clippers [machines]; spinning frames; spin dryers [not heated]; looms; kneading machines; typographic machines; type-setting machines [photocomposition]; beating machines; beaters, electric; packing machines; filtering machines; moulding machines; carding machines; sewing machines; typecasting machines; electromechanical machines for chemical industry; labellers [ma-

chines]; mills [machines]; mills for household purposes, other than hand-operated; pepper mills, other than hand-operated; centrifugal mills; machine wheelwork; feeders [parts of machines]; forge blowers; mixers [machines]; blenders, electric, for household purposes; vacuum cleaner bags; threshing machines; pneumatic hammers; hammers [parts of machines]; tilt hammers; power hammers; reeling apparatus, mechanical; motorized cultivators; motors for boats; clutches, other than for land vehicles; meat cutters [machines]; superchargers; brake linings, other than for vehicles; guides for machines; suction nozzles for vacuum cleaners; vacuum cleaner attachments for disseminating perfumes and disinfectants; pumps [machines]; pumps [parts of machines, engines or motors]; aerating pumps for aquaria; vacuum pumps [machines]; compressed air pumps; pumps for heating installations; beer pumps; pumps for counter-current swimming; lubricating pumps; self-regulating fuel pumps; fuel dispensing pumps for service stations; centrifugal pumps; knives [parts of machines]; knives for mowing machines; chaff cutter blades; knives, electric; shears, electric; scissors, electric; vegetable spiralizers, electric; engine mounts, other than for land vehicles; bearing brackets for machines; pulverisers [machines]; axles for machines; steam traps; chucks [parts of machines]; drill chucks [parts of machines]; exhaust manifold for engines; soldering irons, gas-operated; soldering irons, electric; superheaters; gears, other than for land vehicles; reduction gears, other than for land vehicles; drilling machines; saws [machines]; chain saws; guns [tools using explosive cartridges]; glue guns, electric; compressed air guns for the extrusion of mastics; carburetter feeders; feeding apparatus for engine boilers; loading ramps; ploughs; pneumatic transporters; pneumatic controls for machines, motors and engines; hangers [parts of machines]; anti-friction bearings for machines; roller bearings; self-oiling bearings; bearings for transmission shafts; ball-bearings; elevators [lifts]; hoists; lifts, other than ski-lifts; pulleys; saw blades [parts of machines]; pistons [parts of machines or engines]; shock absorber plungers [parts of machines]; pistons for engines; pistons for cylinders; catalytic converters; torque converters, other than for land vehicles; fuel conversion apparatus for internal combustion engines; presses [machines for industrial purposes]; wine presses; basket presses; fruit presses, electric, for household purposes; fodder presses; printing presses; typographic presses; swaging machines; pedal drives for sewing machines; cleaning appliances utilizing steam; food processors, electric; springs [parts of machines]; spinning wheels; punches for punching machines; vacuum cleaners; tambours for embroidery machines; radiators [cooling] for motors and engines; sewage pulverizers; air brushes for applying colour; regulators [parts of machines]; pressure regulators [parts of machines]; speed governors for machines, engines and motors; knives being parts of machines; cutting blow pipes, gas-ope-

rated; blade holders [parts of machines]; loom shafts; gears for weaving looms; belts for machines; elevator belts; fan belts for motors and engines; dynamo belts; belts for motors and engines; adhesive bands for pulleys; industrial robots; 3D printing pens; kick starters for motorcycles; joysticks being parts of machines, other than for game machines; stuffing boxes [parts of machines]; paper feeders [printing]; whisks, electric, for household purposes; sparking plugs for internal combustion engines; glow plugs for Diesel engines; brake segments, other than for vehicles; tedding machines; steam/oil separators; cream/milk separators; ball rings for bearings; sowers [machines]; pigs for cleaning pipes; snow ploughs; sheaf-binding machines; shaft couplings [machines]; juice extractors, electric; straw [chaff] cutters; suction cups for milking machines; stands for machines; machine tools; die-cutting and tapping machines; woodworking machines; sharpening machines; bicycle assembling machines; mortising machines; stone-working machines; metal-working machines; threading machines; planing machines; lathes [machine tools]; milling machines; metal drawing machines; rolling mills; starters for motors and engines; stators [parts of machines]; glaziers' diamonds [parts of machines]; tables for machines; derricks; slide rests [parts of machines]; couplings, other than for land vehicles; heat exchangers [parts of machines]; transmissions for machines; transmission mechanisms, other than for land vehicles; boiler tubes [parts of machines]; wind turbines; hydraulic turbines; turbines, other than for land vehicles; turbocompressors; connecting rods for engines; central vacuum cleaning installations; suction machines for industrial purposes; washing installations for vehicles; degreasers [machines]; dust exhausting installations for cleaning purposes; machines for the mineralization of drinking water; sifting installations; pneumatic tube conveyors; dust removing installations for cleaning purposes; condensing installations; pneumatic waste oil drainers; lifting apparatus; air suction machines; dividing machines; igniting devices for internal combustion engines; door closers, hydraulic; door closers, pneumatic; door closers, electric; window closers, pneumatic; washing apparatus; binding apparatus for hay; haulage apparatus [mining]; door openers, hydraulic; door openers, pneumatic; door openers, electric; curtain drawing devices, electrically operated; adhesive tape dispensers [machines]; anti-pollution devices for motors and engines; beverage preparation machines, electromechanical; food preparation machines, electromechanical; elevator operating apparatus; control mechanisms for machines, engines or motors; shoe polishers, electric; machines and apparatus for wax-polishing, electric; air cushion devices for moving loads; handling apparatus for loading and unloading; elevating apparatus; aprons [parts of machines]; filter presses; filters [parts of machines or engines]; filters for cleaning cooling air, for engines; moulds [parts of machines]; printing plates; journals [parts of

machines]; centrifugal machines; elevator chains [parts of machines]; drive chains, other than for land vehicles; transmission chains, other than for land vehicles; cylinders for motors and engines; cylinders for machines; printing cylinders; pneumatic jacks; shuttles [parts of machines]; universal joints [cardan joints]; pulleys [parts of machines]; vacuum cleaner hoses; screwdrivers, electric; brushes [parts of machines]; dynamo brushes; brushes, electrically operated [parts of machines]; carbon brushes [electricity]; ejectors; fuel economisers for motors and engines; excavators; shovels, mechanical; agricultural elevators; motors, electric, other than for land vehicles; electrodes for welding machines; electric hammers; parquet wax-polishers, electric; cartridges for filtering machines; moving staircases [escalators]; automatic grapnels for marine purposes; reels [parts of machines]; valves [parts of machines]; water heaters being parts of machines; exhausts for motors and engines; de-aerators for feedwater; pump diaphragms; ski edge sharpening tools, electric; mechanized feeders for animals; grindstones [parts of machines]; lubricators [parts of machines]; embossing machines; finishing machines; blade sharpening [stropping] machines; ore treating machines; leather paring machines; cinder sifters [machines]; machines for the textile industry; milking machines; joints [parts of engines]; window closers, hydraulic; window closers, electric; window openers, hydraulic; window openers, pneumatic; window openers, electric; brushes for vacuum cleaners.

8 – Glaziers' diamonds [parts of hand tools]; apparatus for tattooing; razors, electric or non-electric; sharpening steels; scythe stones; gimlets [hand tools]; borers; augers [hand tools]; carpenters' augers; dibbers, hand-operated; levers; table forks; agricultural forks [hand tools]; lawn clippers [hand instruments]; harpoons; harpoons for fishing; nail extractors, hand-operated; rakes [hand tools]; sand trap rakes; cutter bars [hand tools]; whetstone holders; priming irons [hand tools]; sculptors' chisels; lifting jacks, hand-operated; truncheons; clamps for carpenters or coopers; spades [hand tools]; rabbeting planes; chisels; engraving needles; tattoo needles; cutlery; edge tools [hand tools]; garden tools, hand-operated; abrading instruments [hand instruments]; numbering punches; goffering irons; implements for decanting liquids [hand tools]; depilation appliances, electric and non-electric; sharpening instruments; blade sharpening instruments; livestock marking tools; oyster openers; polishing irons [glazing tools]; ear-piercing apparatus; tube cutting instruments; wire strippers [hand tools]; riveters [hand tools]; expanders [hand tools]; cutting tools [hand tools]; ski edge sharpening tools, hand-operated; hand tools, hand-operated; stamping-out tools [hand tools]; picks [hand tools]; sharpening stones; punch rings [knuckle dusters]; trowels; centre punches [hand tools]; daggers; pickaxes; mallets [hand instruments]; pliers; punch pliers [hand tools]; blades [weapons]; annular screw plates; spanners [hand tools]; tap

wrenches; ladles [hand tools]; foundry ladles [hand tools]; breast drills; lasts [shoemakers' hand tools]; scythe rings; instruments for punching tickets; diggers [hand tools]; rams [hand tools]; scythes; hainault scythes; fire irons; emery grinding wheels; grindstones [hand tools]; sledgehammers; thistle extractors [hand tools]; tree pruners; nail drawers [hand tools]; ice picks; blades [hand tools]; razor blades; blades for planes; plane irons; jig-saws; spoons; table knives, forks and spoons for babies; table knives, forks and spoons of plastic; crow bars; shovels [hand tools]; palette knives; machetes; beard clippers; hair clippers for personal use, electric and non-electric; hair clippers for animals [hand instruments]; taps [hand tools]; fireplace bellows [hand tools]; swords; hammers [hand tools]; fullers [hand tools]; stone hammers; masons' hammers; riveting hammers [hand tools]; mattocks; hoes [hand tools]; ditchers [hand tools]; mincing knives; manicure sets; manicure sets, electric; pedicure sets; needle files; bits [hand tools]; files [tools]; emery files; air pumps, hand-operated; hand pumps; shaving cases; cheese slicers, non-electric; fruit segmenters; egg slicers, non-electric; non-electric pizza cutters; scaling knives; hobby knives [scalpels]; fruit corers; moulding irons; ceramic knives; tin openers, non-electric; farriers' knives; budding knives; hunting knives; penknives; grafting tools [hand tools]; braiders [hand tools]; box cutters; bill-hooks; paring knives; knives; cleavers; wick trimmers [scissors]; cattle shearers; border shears; pruning shears; shearers [hand instruments]; scissors; sword scabbards; kitchen mandolines; vegetable spiralizers, hand-operated; vegetable peelers [hand tools]; agricultural implements, hand-operated; side arms, other than firearms; stroping instruments; screwdrivers, non-electric; stirring sticks for mixing paint; reamer sockets; drill holders [hand tools]; perforating tools [hand tools]; rammers [hand tools]; emery boards; nail files; nail files, electric; saws [hand tools]; bow saws; tweezers; hair-removing tweezers; guns [hand tools]; non-electric caulking guns; guns, hand-operated, for the extrusion of mastics; dies [hand tools]; fruit pickers [hand tools]; saw blades [parts of hand tools]; shear blades; tool belts [holders]; hair braiders, electric; table cutlery [knives, forks and spoons]; crimping irons; hand implements for hair curling; vegetable choppers; money scoops; instruments and tools for skinning animals; hackles [hand tools]; pin punches; nail punches; fish tapes [hand tools]; punches [hand tools]; insecticide vaporizers [hand tools]; syringes for spraying insecticides; reamers; frames for handsaws; saw holders; rasps [hand tools]; paring irons [hand tools]; graving tools [hand tools]; milling cutters [hand tools]; razor strops; leather strops; planes; scythe handles; knife handles; handles for hand-operated hand tools; marline spikes; bits [parts of hand tools]; hollowing bits [parts of hand tools]; pruning scissors; silver plate [knives, forks and spoons]; pruning knives; sickles; drawing knives; scrapers [hand tools]; scrapers for

skis; mortise chisels; caulking irons; gouges [hand tools]; mortars for pounding [hand tools]; mitre boxes [hand tools]; branding irons; hatchets; adzes [tools]; vices; bench vices [hand implements]; hoop cutters [hand tools]; axes; holing axes; fulling tools [hand tools]; earth rammers [hand tools]; tube cutters [hand tools]; squares [hand tools]; extension pieces for braces for screw taps; embossers [hand tools]; apparatus for destroying plant parasites, hand-operated; metal wire stretchers [hand tools]; metal band stretchers [hand tools]; flat irons; irons [non-electric hand tools]; razor cases; ratchets [hand tools]; scraping tools [hand tools]; awls; choppers being knives; spatulas [hand tools]; spatulas for use by artists; wine bottle foil cutters, hand-operated; bayonets; pincers; curling tongs; cuticle tweezers; eyelash curlers; pickhammers; nail clippers, electric or non-electric; nail nippers; trowels [gardening]; putty knives; shears; sabres; fingernail polishers, electric or non-electric; cutters.

9 – 3D spectacles; DVD players; ticket dispensers; juke boxes, musical; fire engines; answering machines; electrical adapters; batteries for electronic cigarettes; accumulators, electric; batteries, electric, for vehicles; accelerometers; actinometers; alidades; altimeters; ammeters; anemometers; anodes; aerials; anticathodes; apertometers [optics]; high-frequency apparatus; testing apparatus not for medical purposes; electrodynamic apparatus for the remote control of railway points; electro-dynamic apparatus for the remote control of signals; remote control apparatus; monitoring apparatus, other than for medical purposes; sound recording apparatus; Global Positioning System [GPS] apparatus; distillation apparatus for scientific purposes; diffraction apparatus [microscopy]; air analysis apparatus; apparatus to check franking; sound transmitting apparatus; fermentation apparatus for laboratory use; breathing apparatus for underwater swimming; breathing apparatus, except for artificial respiration; apparatus and installations for the production of X-rays, not for medical purposes; cash registers; electric apparatus for commutation; intercommunication apparatus; stills for laboratory experiments; projection apparatus; fire extinguishing apparatus; radiological apparatus for industrial purposes; X-ray apparatus not for medical purposes; blueprint apparatus; flashing lights [luminous signals]; stereoscopic apparatus; telephone apparatus; facsimile machines; phototelegraphy apparatus; igniting apparatus, electric, for igniting at a distance; salinometers; acidimeters for batteries; aerometers; battery jars; barometers; anode batteries; galvanic batteries; ignition batteries; solar batteries; solar panels for the production of electricity; batteries, electric; balances [steelyards]; betatrons; binoculars; biochips; electronic tags for goods; lens hoods; magnetic tape units for computers; computer memory devices; fire hose nozzles; encoded identification bracelets, magnetic; connected bracelets [measuring instruments]; safety tarpaulins; electronic key fobs being remote control apparatus; bullet-proof clot-

hing; signalling buoys; life buoys; marking buoys; vacuum gauges; electrolysis apparatus for laboratory use; variometers; scales; baby scales; bathroom scales; letter scales; weighbridges; precision balances; scales with body mass analysers; camcorders; video cassettes; video telephones; video screens; viewfinders, photographic; micrometer screws for optical instruments; viscosimeters; circuit closers; wavemeters; voltmeters; luminous signs; switchboxes [electricity]; current rectifiers; gas testing instruments; gasometers [measuring instruments]; galvanometers; hands-free kits for telephones; heliographic apparatus; hygrometers; hydrometers; weights; peepholes [magnifying lenses] for doors; holograms; plotters; loudspeakers; plumb bobs; range finders; densimeters; densitometers; detectors; smoke detectors; infrared detectors; counterfeit coin detectors; joysticks for use with computers, other than for video games; transparencies [photography]; slide projectors; diaphragms [photography]; dictating machines; dynamometers; light-emitting diodes [LED]; floppy disks; phonograph records; disks, magnetic; optical discs; disk drives for computers; juke boxes for computers; wearable video display monitors; electronic numeric displays; DNA chips; electronic interactive whiteboards; electronic notice boards; electric wire harnesses for automobiles; bullet-proof vests; life jackets; reflective safety vests; identification threads for electric wires; nose clips for divers and swimmers; locks, electric; bells [warning devices]; alarm bells, electric; electric door bells; signal bells; acoustic conduits; mirrors for inspecting work; road signs, luminous or mechanical; marine depth finders; probes for scientific purposes; buzzers; needles for surveying compasses; needles for record players; eyewear; reflective articles for wear, for the prevention of accidents; measures; pressure measuring apparatus; simulators for the steering and control of vehicles; inverters [electricity]; pressure indicators; temperature indicators; incubators for bacteria culture; measuring instruments; cosmographic instruments; mathematical instruments; levelling instruments; instruments containing eyepieces; surveying instruments; azimuth instruments; interfaces for computers; ionization apparatus not for the treatment of air or water; satellite finder meters; spark-guards; coaxial cables; fibre optic cables; cables, electric; calipers; slide calipers; screw-tapping gauges; calorimeters; calculating machines; pocket calculators; decompression chambers; rearview cameras for vehicles; cinematographic cameras; thermal imaging cameras; mouth guards for sports; life-saving capsules for natural disasters; electronic pens [visual display units]; holders for electric coils; identity cards, magnetic; video game cartridges; toner cartridges, unfilled, for printers and photocopiers; memory cards for video game machines; encoded magnetic cards; riding helmets; carriers for dark plates [photography]; automated teller machines [ATM]; cathodes; spools [photography]; choking coils [impedance]; coils, electric; electromagnetic coils; cinema-

tographic film, exposed; computer keyboards; solenoid valves [electromagnetic switches]; wire connectors [electricity]; thin client computers; encoded key cards; electronic book readers; electronic agendas; push buttons for bells; magnetic encoders; visors for helmets; collectors, electric; calibrating rings; smart rings; ring sizers; protective suits for aviators; commutators; compact discs [audio-video]; compact discs [read-only memory]; comparators; marine compasses; computers; laptop computers; tablet computers; notebook computers; wearable computers; condensers [capacitors]; contacts, electric; wind socks for indicating wind direction; traffic cones; branch boxes [electricity]; distribution boxes [electricity]; junction boxes [electricity]; battery boxes; cabinets for loudspeakers; diving suits; galena crystals [detectors]; covers for electric outlets; logs [measuring instruments]; lasers, not for medical purposes; lactodensimeters; lactometers; vacuum tubes [radio]; darkroom lamps [photography]; thermionic valves; amplifying tubes; flashlights [photography]; head cleaning tapes [recording]; magnetic tapes; videotapes; surveying chains; fire escapes; rulers [measuring instruments]; square rulers for measuring; slide-rules; contact lenses; correcting lenses [optics]; optical lenses; optical condensers; sounding lines; electricity conduits; measuring spoons; magnifying glasses [optics]; thread counters; magnets; decorative magnets; crash test dummies; resuscitation mannequins [teaching apparatus]; pressure gauges; security tokens [encryption devices]; divers' masks; solderers' helmets; protective masks, not for medical purposes; respiratory masks, other than for artificial respiration; materials for electricity mains [wires, cables]; voting machines; money counting and sorting machines; material testing instruments and machines; furniture especially made for laboratories; megaphones; portable media players; diaphragms [acoustics]; diaphragms for scientific apparatus; metal detectors for industrial or military purposes; digital weather stations; metronomes; rules [measuring instruments]; carpenters' rules; dressmakers' measures; mechanisms for coin-operated apparatus; mechanisms for counter-operated apparatus; coin-operated mechanisms for television sets; shutter releases [photography]; micrometers; microprocessors; microscopes; microtomes; microphones; audio mixers; modems; lightning conductors; monitors [computer hardware]; monitors [computer programs]; selfie sticks [handheld monopods]; terminals [electricity]; junction sleeves for electric cables; teeth protectors; temperature indicator labels, not for medical purposes; knee-pads for workers; headphones; surveyors' levels; sound recording carriers; magnetic data media; optical data media; electronic sheet music, downloadable; computer software; sheaths for electric cables; identification sheaths for electric wires; weighing machines; computer hardware; punched card machines for offices; life saving equipment; objectives [lenses] [optics]; lenses for astrophotography; selfie lenses; egg-candlers; fire extinguish-

hers; rescue laser signalling flares; electrified fences; limiters [electricity]; clothing for protection against accidents, irradiation and fire; clothing for protection against fire; asbestos clothing for protection against fire; clothing especially made for laboratories; ozonisers [ozonators]; octants; eyepieces; ohmmeters; wrist rests for use with computers; spectacle frames; oscillographs; plumb lines; mirrors [optics]; spectacles; sunglasses; goggles for sports; finger sizes; signalling panels, luminous or mechanical; radio pagers; pince-nez; electronic pocket translators; transmitters [telecommunication]; telephone transmitters; transmitters of electronic signals; switches, electric; periscopes; gloves for divers; gloves for protection against accidents; gloves for protection against X-rays for industrial purposes; asbestos gloves for protection against accidents; furnaces for laboratory use; pipettes; pyrometers; planimeters; plane tables [surveying instruments]; plates for batteries; computer software platforms, recorded or downloadable; wafers for integrated circuits; printed circuit boards; compact disc players; cassette players; sound recording strips; X-ray films, exposed; films, exposed; life-saving rafts; laboratory trays; digital signs; semiconductors; polarimeters; personal digital assistants [PDAs]; fire pumps; measuring glassware; life belts; fuses; circuit breakers; converters, electric; telerupters; food analysis apparatus; diagnostic apparatus, not for medical purposes; distance recording apparatus; distance measuring apparatus; speed measuring apparatus [photography]; appliances for measuring the thickness of leather; apparatus for measuring the thickness of skins; speed checking apparatus for vehicles; teaching apparatus; time recording apparatus; apparatus and instruments for astronomy; surveying apparatus and instruments; weighing apparatus and instruments; nautical apparatus and instruments; navigational instruments; optical apparatus and instruments; apparatus and instruments for physics; chemistry apparatus and instruments; measuring apparatus; measuring devices, electric; boiler control instruments; meteorological instruments; naval signalling apparatus; observation instruments; navigation apparatus for vehicles [on-board computers]; satellite navigational apparatus; regulating apparatus, electric; telecommunication apparatus in the form of jewellery; precision measuring apparatus; audio- and video-receivers; prisms [optics]; computer software applications, downloadable; printers for use with computers; hemline markers; retorts' stands; apparatus for changing record player needles; drainers for use in photography; cleaning apparatus for phonograph records; fire beaters; sighting telescopes for firearms; telescopic sights for artillery; test tubes; pressure indicator plugs for valves; magnetic wires; telegraph wires; telephone wires; wires, electric; conductors, electric; copper wire, insulated; fuse wire; computer programs, recorded; game programs for computers; computer programs [downloadable software]; computer operating programs, recorded; computer

screen saver software, recorded or downloadable; record players; processors [central processing units]; rods for water diviners; electronic publications, downloadable; distribution consoles [electricity]; control panels [electricity]; radar apparatus; baby monitors; masts for wireless aerials; transmitting sets [telecommunication]; radios; vehicle radios; sprinkler systems for fire protection; frames for photographic transparencies; screens for photoengraving; flowmeters; walkie-talkies; voltage surge protectors; voltage regulators for vehicles; stage lighting regulators; speed regulators for record players; cell switches [electricity]; washing trays [photography]; marking gauges [joinery]; T-squares for measuring; time switches, automatic; relays, electric; X-ray photographs, other than for medical purposes; rheostats; respirators for filtering air; retorts; refractometers; refractors; grids for batteries; security surveillance robots; laboratory robots; teaching robots; humanoid robots with artificial intelligence for use in scientific research; speaking tubes; horns for loudspeakers; subwoofers; saccharometers; optical fibres [light conducting filaments]; traffic-light apparatus [signalling devices]; dog whistles; signalling whistles; sports whistles; sextants; inductors [electricity]; safety nets; nets for protection against accidents; fire alarms; signals, luminous or mechanical; sirens; electronic access control systems for interlocking doors; scanners [data processing equipment]; hand-held electronic dictionaries; integrated circuit cards [smart cards]; smartglasses; smartphones; smartwatches; connections for electric lines; couplings, electric; sonars; sound locating instruments; lighting ballasts; resistances, electric; spectrograph apparatus; spectroscopes; speed indicators; alcoholmeters; satellites for scientific purposes; protection devices for personal use against accidents; audiovisual teaching apparatus; charging stations for electric vehicles; radiotelegraphy sets; radiotelephony sets; spectacle lenses; anti-glare glasses; optical glass; personal stereos; stereoscopes; stands for photographic apparatus; stroboscopes; fire boats; sulfimeters; bags adapted for laptops; drying racks [photography]; spherometers; integrated circuits; printed circuits; counters; parking meters; mileage recorders for vehicles; revolution counters; abacuses; egg timers [sandglasses]; taximeters; ear plugs for divers; tachometers; television apparatus; telegraphs [apparatus]; telescopes; teleprompters; teleprinters; cordless telephones; theodolites; interactive touch screen terminals; thermo-hygrometers; thermometers, not for medical purposes; thermostats; thermostats for vehicles; crucibles [laboratory]; tone arms for record players; totalizers; transistors [electronic]; transponders; protractors [measuring instruments]; transformers [electricity]; step-up transformers; resuscitation training simulators; vehicle breakdown warning triangles; triodes; starter cables for motors; discharge tubes, electric, other than for lighting; capillary tubes for laboratory use; neon signs; Pitot tubes; X-ray tubes not for medical purposes; te-



lephone receivers; squares for measuring; gauges; quantity indicators; automatic indicators of low pressure in vehicle tyres; petrol gauges; water level indicators; electric loss indicators; light-emitting electronic pointers; slope indicators; levels [instruments for determining the horizontal]; mercury levels; spirit levels; urinometers; amplifiers; particle accelerators; electric installations for the remote control of industrial operations; steering apparatus, automatic, for vehicles; balancing apparatus; video recorders; sound reproduction apparatus; invoicing machines; tape recorders; protection devices against X-rays, not for medical purposes; railway traffic safety appliances; data processing apparatus; oxygen transvasing apparatus; theft prevention installations, electric; film cutting apparatus; drying apparatus for photographic prints; optical character readers; centering apparatus for photographic transparencies; dosage dispensers; battery chargers; chargers for electric accumulators; chargers for electronic cigarettes; acoustic alarms; sounding apparatus and machines; apparatus for editing cinematographic film; cathodic anti-corrosion apparatus; couplers [data processing equipment]; anti-theft warning apparatus; computer peripheral devices; anti-interference devices [electricity]; demagnetizing apparatus for magnetic tapes; acoustic couplers; alarms; fog signals, non-explosive; whistle alarms; adding machines; readers [data processing equipment]; heat regulating apparatus; photocopiers [photographic, electrostatic, thermic]; electric and electronic effects units for musical instruments; bar code readers; downloadable image files; downloadable music files; animated cartoons; filters for respiratory masks; filters for ultraviolet rays, for photography; USB flash drives; magic lanterns; optical lanterns; signal lanterns; cameras [photography]; glazing apparatus for photographic prints; shutters [photography]; darkrooms [photography]; photometers; flash-bulbs [photography]; digital photo frames; enlarging apparatus [photography]; photovoltaic cells; containers for contact lenses; spectacle cases; containers for microscope slides; cases for smartphones; cases especially made for photographic apparatus and instruments; chromatography apparatus for laboratory use; chronographs [time recording apparatus]; laboratory centrifuges; spectacle chains; cyclotrons; compasses for measuring; frequency meters; time clocks [time recording devices]; Petri dishes; sleeves for laptops; covers for personal digital assistants [PDAs]; covers for tablet computers; fire blankets; chips [integrated circuits]; jigs [measuring instruments]; pedometers; meteorological balloons; electrified rails for mounting spot lights; asbestos screens for firemen; fire hose; virtual reality headsets; protective helmets for sports; head guards for sports; snorkels; cell phone straps; spectacle cords; tripods for cameras; switchboards; distribution boards [electricity]; equalizers [audio apparatus]; screens [photography]; workmen's protective face-shields; projection screens; radiology screens for industrial purposes; fluorescent

screens; exposure meters [light meters]; ducts [electricity]; galvanic cells; downloadable graphics for mobile phones; epidiascopes; ergometers; armatures [electricity]; black boxes [data recorders]; magnetic resonance imaging [MRI] apparatus, not for medical purposes; acid hydrometers; beacons, luminous; directional compasses; verniers; levelling staffs [surveying instruments]; video baby monitors; electric plugs; electric sockets; plug connectors; electrical plugs and sockets; current plugs; mechanical signs; sounding leads; circular slide rules; audio interfaces; protective helmets; mouse pads; close-up lenses; mouse [computer peripheral]; shoes for protection against accidents, irradiation and fire; electronic collars to train animals; protective films adapted for computer screens; protective films adapted for smartphone screens; light dimmers [regulators], electric; safety restraints, other than for vehicle seats and sports equipment; mobile telephones; wearable activity trackers; downloadable ring tones for mobile phones; filters for use in photography; protective cases for smartphones.

10 – Analysers for bacterial identification for medical purposes; blood testing apparatus; testing apparatus for medical purposes; anaesthetic apparatus; galvanic therapeutic appliances; apparatus for artificial respiration; apparatus for the treatment of deafness; physical exercise apparatus for medical purposes; body rehabilitation apparatus for medical purposes; dental apparatus and instruments; surgical apparatus and instruments; resuscitation apparatus; dental apparatus, electric; physiotherapy apparatus; bed vibrators; hot air therapeutic apparatus; diagnostic apparatus for medical purposes; traction apparatus for medical purposes; radiotherapy apparatus; microdermabrasion apparatus; fumigation apparatus for medical purposes; apparatus for the regeneration of stem cells for medical purposes; apparatus for DNA and RNA testing for medical purposes; apparatus and installations for the production of X-rays, for medical purposes; magnetic resonance imaging [MRI] apparatus for medical purposes; radiological apparatus for medical purposes; X-ray apparatus for medical purposes; hearing aids; nasal aspirators; trusses; maternity belts; bandages, elastic; cupping glasses; dental burs; bracelets for medical purposes; anti-nausea wristbands; anti-rheumatism bracelets; feeding bottles; vaporizers for medical purposes; hot air vibrators for medical purposes; vibromassage apparatus; gastroscopes; haemocytometers; lice combs; surgical sponges; defibrillators; dialyzers; containers especially made for medical waste; clips, surgical; mirrors for dentists; mirrors for surgeons; probes for medical purposes; urethral probes; artificial teeth; acupuncture needles; suture needles; needles for medical purposes; orthopedic articles; biodegradable bone fixation implants; surgical implants comprised of artificial materials; inhalers; hydrogen inhalers; injectors for medical purposes; incubators for medical purposes; incubators for babies; obstetric apparatus; obstetric apparatus for cattle; electric acupuncture

instruments; surgical cutlery; insufflators; endoscopy cameras for medical purposes; cannulae; droppers for medical purposes; dropper bottles for medical purposes; heart pacemakers; tonometers; catheters; catgut; draw-sheets for sick beds; enema apparatus for medical purposes; artificial skin for surgical purposes; menstrual cups; teething rings; anti-rheumatism rings; compressors [surgical]; thermo-electric compresses [surgery]; abdominal corsets; corsets for medical purposes; crutches; dentists' armchairs; armchairs for medical or dental purposes; beds specially made for medical purposes; feeding bottle valves; love dolls [sex dolls]; lasers for medical purposes; lamps for medical purposes; quartz lamps for medical purposes; ultraviolet ray lamps for medical purposes; lancets; lenses [intraocular prostheses] for surgical implantation; sponges for administering medicine; masks for use by medical personnel; respiratory masks for artificial respiration; anaesthetic masks; suture materials; child-birth mattresses; air mattresses for medical purposes; air beds for medical purposes; waterbeds for medical purposes; furniture especially made for medical purposes; water bags for medical purposes; douche bags; breast pumps; body fat monitors; body composition monitors; urinals being vessels; portable hand-held urinals; teeth protectors for dental purposes; temperature indicator labels for medical purposes; knee bandages, orthopaedic; tips for crutches; fingerstalls for medical purposes; medical guidewires; pumps for medical purposes; thread, surgical; knives for surgical purposes; scissors for surgery; ambulance stretchers; stretchers, wheeled; boots for medical purposes; orthopaedic footwear; clothing especially for operating rooms; compression garments; blankets, electric, for medical purposes; supports for flat feet; keratometers; ophthalmoscopes; cooling pads for first aid purposes; slings [support bandages]; gloves for massage; gloves for medical purposes; pessaries; saws for surgical purposes; ear picks; cooling patches for medical purposes; spittoons for medical purposes; plaster bandages for orthopaedic purposes; orthopaedic bandages for joints; support bandages; abdominal pads; cushions for medical purposes; pads for preventing pressure sores on patient bodies; air pillows for medical purposes; soporific pillows for insomnia; heating cushions, electric, for medical purposes; abdominal belts; galvanic belts for medical purposes; hypogastric belts; belts for medical purposes; orthopaedic belts; umbilical belts; belts, electric, for medical purposes; condoms; aerosol dispensers for medical purposes; sphygmotensimeters; pulse meters; esthetic massage apparatus; massage apparatus; veterinary apparatus and instruments; medical apparatus and instruments; urological apparatus and instruments; orthodontic appliances; brushes for cleaning body cavities; patient hoists; appliances for washing body cavities; corn knives; incontinence sheets; sterile sheets, surgical; surgical drapes; artificial eyes; artificial breasts; dentures; artificial limbs; artificial jaws; ice bags for medical purposes;

toe separators for orthopaedic purposes; surgical bougies; orthodontic rubber bands; X-ray photographs for medical purposes; respirators for artificial respiration; surgical robots; strait jackets; sex toys; scalpels; tongue scrapers; dummies for babies; feeding bottle teats; baby feeding dummies; receptacles for applying medicines; spirometers [medical apparatus]; vaginal syringes; implantable subcutaneous drug delivery devices; hearing protectors; contraceptives, non-chemical; orthopaedic soles; stents; stethoscopes; operating tables; commode chairs; basins for medical purposes; bed pans; instrument cases for use by doctors; arch supports for footwear; ear plugs [hearing protection devices]; thermal packs for first aid purposes; thermometers for medical purposes; tomographs for medical purposes; trocars; walking sticks for medical purposes; drainage tubes for medical purposes; X-ray tubes for medical purposes; radium tubes for medical purposes; balling guns; protection devices against X-rays, for medical purposes; apparatus for acne treatment; filters for ultraviolet rays, for medical purposes; wheeled walkers to aid mobility; walking frames for disabled persons; cases fitted for medical instruments; elastic stockings for surgical purposes; stockings for varices; splints, surgical; tongue depressors for medical purposes; syringes for injections; syringes for medical purposes; hypodermic syringes; uterine syringes; urethral syringes; pins for artificial teeth; obstetrical forceps; castrating pincers; radiology screens for medical purposes; electrodes for medical use; electrocardiographs; brain pacemakers; air cushions for medical purposes; hair prostheses; ear trumpets; quad canes for medical purposes; walking aids for medical purposes.

11 – Lampshades; steam accumulators; heat accumulators; defrosters for vehicles; disinfectant apparatus for medical purposes; distillation apparatus; desiccating apparatus; hydromassage bath apparatus; disinfectant apparatus; air deodorizing apparatus; tanning beds; ionization apparatus for the treatment of air or water; coffee roasters; beverage cooling apparatus; hand drying apparatus for washrooms; fruit roasters; water purifying apparatus and machines; refrigerating apparatus and machines; drying apparatus and installations; freezers; heating and cooling apparatus for dispensing hot and cold beverages; drying apparatus; structural framework for ovens; coolers for furnaces; expansion tanks for central heating installations; flushing tanks; refining towers for distillation; bidets; boilers, other than parts of machines; bath tubs; spa baths [vessels]; bath tubs for sitz baths; waffle irons, electric; fans [air-conditioning]; fans [parts of air-conditioning installations]; electric fans for personal use; roasting spits; refrigerating display cabinets; heated display cabinets; water heaters; water flushing installations; air reheaters; extractor hoods for kitchens; gas condensers, other than parts of machines; acetylene generators; microbubble generators for baths; hydrants; fairy lights for festive decoration; burners;

acetylene burners; gas burners; burners for lamps; germicidal burners; incandescent burners; oxyhydrogen burners; laboratory burners; oil burners; alcohol burners; hot water bottles; footwarmers, electric or non-electric; bed warmers; pocket warmers; warming pans; roasting apparatus; lampshade holders; stills; showers; refrigerating containers; gas lighters; grill lighters; candle lighters; friction lighters for igniting gas; chimney blowers; coils [parts of distilling, heating or cooling installations]; furnace ash boxes; evaporators; shower cubicles; Turkish bath cabinets, portable; heating apparatus; cool boxes, electric; refrigerating chambers; fireplaces, domestic; chimney flues; air valves for steam heating installations; level controlling valves in tanks; thermostatic valves [parts of heating installations]; electrically heated carpets; light bulbs; light bulbs, electric; solar thermal collectors [heating]; distillation columns; furnace grates; ventilation hoods; ventilation hoods for laboratories; lamp globes; air-conditioning apparatus; air conditioners for vehicles; gas boilers; laundry room boilers; heating boilers; coffee machines, electric; taps for pipes and pipelines; taps; mixer taps for water pipes; forges, portable; lava rocks for use in barbecue grills; lights, electric, for Christmas trees; acetylene flares; safety lamps; gas lamps; curling lamps; nail lamps; germicidal lamps for purifying air; light bulbs for directional signals for vehicles; arc lamps; laboratory lamps; oil lamps; ultraviolet ray lamps, not for medical purposes; miners' lamps; electric lamps; chandeliers; barbecues; bread baking machines; watering machines for agricultural purposes; ice-cream making machines; pounded rice cake making machines, electric, for household purposes; multicookers; footmuffs, electrically heated; heaters for baths; heaters for heating irons; immersion heaters; brackets for gas burners; anti-splash tap nozzles; heat pumps; filaments for electric lamps; magnesium filaments for lighting; heating filaments, electric; luminous house numbers; socks, electrically heated; heating apparatus for defrosting vehicle windows; hot air bath fittings; bath fittings; loading apparatus for furnaces; kiln furniture [supports]; sauna bath installations; refrigerating appliances and installations; directional lights for bicycles; electrically heated clothing; blankets, electric, not for medical purposes; fabric steamers; lamp reflectors; vehicle reflectors; hearths; electric cooktops; food steamers, electric; steam boilers, other than parts of machines; pasteurisers; lamp mantles; sockets for electric lights; coffee percolators, electric; stoves [heating apparatus]; bakers' ovens; hot air ovens; kitchen ranges [ovens]; microwave ovens [cooking apparatus]; microwave ovens for industrial purposes; incinerators; kilns; solar furnaces; dental ovens; furnaces, other than for laboratory use; urinals being sanitary fixtures; feeding apparatus for heating boilers; heating plates; cooking stoves; hot plates; wine cellars, electric; heaters, electric, for feeding bottles; aquarium heaters; aquarium lights; heating cushions, electric, not for medical pur-

poses; clean chambers [sanitary installations]; tortilla presses, electric; water intake apparatus; deodorizing apparatus, not for personal use; apparatus for dehydrating food waste; fumigation apparatus, not for medical purposes; gas scrubbing apparatus; oil-scrubbing apparatus; glue-heating appliances; drying apparatus for fodder and forage; water filtering apparatus; air purifying apparatus and machines; ice machines and apparatus; cooling appliances and installations; cooking apparatus and installations; lighting apparatus and installations; sanitary apparatus and installations; cooking rings; lighting apparatus for vehicles; light-emitting diodes [LED] lighting apparatus; heating apparatus for solid, liquid or gaseous fuels; heating apparatus, electric; hot air apparatus; steam facial apparatus [saunas]; safety accessories for water or gas apparatus and pipes; regulating and safety accessories for gas apparatus; regulating accessories for water or gas apparatus and pipes; regulating and safety accessories for water apparatus; regulating and safety accessories for gas pipes; anti-glare devices for vehicles [lamp fittings]; roasting jacks; plate warmers; electric appliances for making yogurt; rotisseries; radiator caps; searchlights; diving lights; washers for water taps; heat guns; radiators [heating]; central heating radiators; radiators, electric; sinks; disinfectant apparatus for dispensing solutions into water-pipes for sanitary installations; drip irrigation emitters [irrigation fittings]; light diffusers; nuclear reactors; heat regenerators; pressure water tanks; roasters; lamps; standard lamps; ceiling lights; toilet seats; lighting installations for air vehicles; autoclaves, electric, for cooking; pressure cookers, electric; gas scrubbers [parts of gas installations]; lamp glasses; sterilizers; water sterilizers; air sterilizers; air dryers; laundry dryers, electric; hair dryers; malt roasters; tobacco roasters; heat exchangers, other than parts of machines; bread toasters; discharge tubes, electric, for lighting; lamp chimneys; luminous tubes for lighting; pipes [parts of sanitary installations]; flues for heating boilers; boiler pipes [tubes] for heating installations; toilets [water-closets]; toilets, portable; humidifiers for central heating radiators; wash-hand basins [parts of sanitary installations]; toilet bowls; water conduits installations; bath installations; air-conditioning installations; desalination plants; installations for processing nuclear fuel and nuclear moderating material; watering installations, automatic; cooling installations for water; cooling installations for liquids; milk cooling installations; cooling installations for tobacco; water purification installations; purification installations for sewage; steam generating installations; water distribution installations; air filtering installations; swimming pool chlorinating apparatus; ventilation [air-conditioning] installations and apparatus; ventilation [air-conditioning] installations for vehicles; water softening apparatus and installations; cooling installations and machines; heating installations; heaters for vehicles; heating installations [water]; polymerisation installations; water

supply installations; flare stacks for use in the oil industry; ash conveyor installations, automatic; whirlpool-jet apparatus; air cooling apparatus; aquarium filtration apparatus; cooking utensils, electric; flaming torches; headlights for automobiles; vehicle headlights; filters for air conditioning; filters for drinking water; wicks for oil stoves; lights for automobiles; bicycle lights; motorcycle lights; lights for vehicles; electric torches; head torches; lanterns for lighting; candle lanterns; Chinese lanterns; fountains; ornamental fountains; chocolate fountains, electric; air fryers; deep fryers, electric; fittings, shaped, for furnaces; oven fittings made of fireclay; bread-making machines; refrigerators; chromatography apparatus for industrial purposes; kettles, electric; dampers [heating]; book sterilization apparatus; refrigerating cabinets; carbon for arc lamps; heating elements.

12 – Motor buses; motor coaches; camping cars; driverless cars [autonomous cars]; motor racing cars; cars for transportation; robotic cars; sports cars; concrete mixing vehicles; refrigerated vehicles; caravans; shock absorbers for automobiles; suspension shock absorbers for vehicles; space vehicles; aircraft; aeronautical apparatus, machines and appliances; air cushion vehicles; hot air balloons; ski carriers for cars; luggage carriers for vehicles; bumpers for automobiles; vehicle bumpers; tyres for vehicle wheels; barges; brake shoes for vehicles; tailboard lifts [parts of land vehicles]; armored vehicles; buffers for railway rolling stock; mine cars; tilt trucks; railway carriages; sleeping cars; dining carriages; refrigerated railway wagons; transmission shafts for land vehicles; bicycles; electric bicycles; valves for vehicle tyres; automobile hoods; pushchair hoods; hoods for vehicles; oars; paddles for canoes; sculls; screws [propellers] for ships; lug nuts for vehicle wheels; seaplanes; flanges for railway wheel tyres; goods vehicles; horns for vehicles; treads for vehicles [tractor type]; doors for vehicles; bicycle motors; motorcycle engines; engines for land vehicles; jet engines for land vehicles; driving motors for land vehicles; screw-propellers; screw-propellers for boats; airships; brake discs for vehicles; telfer railways [cable cars]; dredgers [boats]; hand-cars; military drones; civilian drones; camera drones; clips adapted for fastening automobile parts to automobile bodies; adhesive rubber patches for repairing inner tubes; bicycle bells; rearview mirrors; side view mirrors for vehicles; portholes; cars for cable transport installations; inner tubes for pneumatic tyres; inner tubes for bicycle tyres; canoes; hoods for vehicle engines; crankcases for land vehicle components, other than for engines; boats; caissons [vehicles]; bicycle wheels; vehicle wheels; mine cart wheels; steering wheels for vehicles; casters for trolleys [vehicles]; brake pads for automobiles; hub caps; prams; side cars; brake linings for vehicles; ships; baskets adapted for bicycles; gear boxes for land vehicles; ship hulls; panniers adapted for bicycles; panniers adapted for motorcycles; fenders for ships; bands for wheel hubs;

ejector seats for aircraft; wheelchairs; caps for vehicle fuel tanks; boat hooks; automobile bodies; tipping bodies for lorries; bodies for vehicles; treads for retreading tyres; locomotives; masts for boats; golf carts [vehicles]; sprinkling trucks; propulsion mechanisms for land vehicles; mopeds; motor scooters; motorcycles; rubbish trucks; tyre mousse inserts; fitted footmuffs for pushchairs; fitted footmuffs for wheelchairs; fitted footmuffs for prams; freewheels for land vehicles; clutches for land vehicles; repair outfits for inner tubes; air pumps [vehicle accessories]; pumps for bicycle tyres; upholstery for vehicles; rims for bicycle wheels; vehicle wheel rims; windows for vehicles; omnibuses; engine mounts for land vehicles; axles for vehicles; headlight wipers; parachutes; ferry boats; bicycle pedals; ashtrays for automobiles; gearing for land vehicles; carts; head-rests for vehicle seats; bicycle kickstands; vehicle running boards; air bags [safety devices for automobiles]; ski lifts; chairlifts; casings for pneumatic tires; sleeping berths for vehicles; pontoons; torque converters for land vehicles; cigar lighters for automobiles; non-skid devices for vehicle tyres; anti-glare devices for vehicles; anti-theft devices for vehicles; sun-blinds adapted for automobiles; trailers for transporting bicycles; bicycle trailers; balance weights for vehicle wheels; shock absorbing springs for vehicles; bicycle frames; motorcycle frames; spars for ships; reduction gears for land vehicles; safety belts for vehicle seats; security harness for vehicle seats; vehicle suspension springs; rudders; bicycle handlebars; motorcycle handlebars; vehicle joysticks; bicycle cranks; aeroplanes; amphibious airplanes; sleighs [vehicles]; rescue sleds; kick sledges; brake segments for vehicles; bicycle saddles; motorcycle saddles; luggage nets for vehicles; dress guards for bicycles; fitted pushchair mosquito nets; anti-theft alarms for vehicles; reversing alarms for vehicles; safety seats for children, for vehicles; vehicle seats; bellows for articulated buses; hydraulic circuits for vehicles; mobility scooters; snowmobiles; rolling stock for railways; rolling stock for funicular railways; spokes for bicycle wheels; vehicle wheel spokes; spoilers for vehicles; air vehicles; vehicles for locomotion by land, air, water or rail; ambulances; autonomous underwater vehicles for seabed inspections; water vehicles; remotely operated vehicles for underwater inspections; remote control vehicles, other than toys; electric vehicles; tricycles; delivery tricycles; inclined ways for boats; windscreens; windshield wipers; motorcycle kickstands; hubs for bicycle wheels; hubs for vehicle wheels; bags adapted for strollers; saddlebags adapted for bicycles; railway couplings; trailer hitches for vehicles; couplings for land vehicles; wheelbarrows; handling carts; two-wheeled trolleys; shopping trolleys; fishing trolleys; hose carts; bogies for railway cars; casting carriages; tilting-carts; roll cage trolleys; forklift trucks; cleaning trolleys; bicycle brakes; brakes for vehicles; torsion bars for vehicles; tractors; tramcars; transmission mechanisms for land vehicles;

military vehicles for transport; aerial conveyors; trailers [vehicles]; funnels for ships; funnels for locomotives; cleats [nautical]; turbines for land vehicles; direction indicators for vehicles; rowlocks; disengaging gear for boats; steering gears for ships; cable transport apparatus and installations; spoke clips for wheels; tipping apparatus [parts of railway wagons]; funiculars; vans [vehicles]; drive chains for land vehicles; bicycle chains; motorcycle chains; anti-skid chains; transmission chains for land vehicles; undercarriages for vehicles; pram covers; spare wheel covers; covers for vehicle steering wheels; saddle covers for bicycles; saddle covers for motorcycles; seat covers for vehicles; vehicle covers [shaped]; automobile chassis; vehicle chassis; connecting rods for land vehicles, other than parts of motors and engines; axle journals; gears for bicycles; tubeless tyres for bicycles; bicycle tyres; automobile tyres; pneumatic tyres; solid tires for vehicle wheels; spikes for tyres; davits for boats; launches; timbers [frames] for ships; mudguards; bicycle mudguards; tow trucks; motors, electric, for land vehicles; yachts.

13 – Acetyl-nitrocellulose; ammunition; ammunition for firearms; explosives; ammonium nitrate explosives; pyrophoric substances; primings [fuses]; fuses for explosives, for use in mines; cartridge cases; noise-suppressors for guns; hand grenades; detonators; dynamite; lead shot for hunting; sighting mirrors for guns and rifles; breeches of firearms; detonating caps, other than toys; rifles; hammers for guns and rifles; gun carriages [artillery]; automatic firearm ammunition belts; gunstocks; mortars [firearms]; mines [explosives]; Bengal lights; firing platforms; artillery guns [cannons]; motorized weapons; firearms; hunting firearms; side arms [firearms]; tear-gas weapons; cartridge pouches; cartridges; explosive cartridges; firecrackers; guncotton; pistols [arms]; air pistols [weapons]; flare pistols; explosive powders; gunpowder; powder horns; shoulder straps for weapons; sights, other than telescopic sights, for artillery; sights, other than telescopic sights, for firearms; machine guns; cannons; rocket launchers; signal rocket flares; revolvers; belts adapted for ammunition; guns [weapons]; harpoon guns [weapons]; detonating plugs; fog signals, explosive; rescue flares, explosive or pyrotechnic; trigger guards for guns and rifles; projectiles [weapons]; shells [projectiles]; ballistic weapons; rockets [projectiles]; sprays for personal defence purposes; pyrotechnic products; rifle barrels; tanks [weapons]; torpedoes; cartridge loading apparatus; apparatus for filling cartridge belts; fireworks; fuses for explosives; trunnions for heavy weapons; rifle cases; detonating fuses for explosives; cleaning brushes for firearms.

14 – Agates; diamonds; amulets [jewellery]; anchors [clock- and watchmaking]; barrels [clock- and watchmaking]; bracelets [jewellery]; bracelets made of embroidered textile [jewellery]; watch bands; charms

for key rings; jewellery charms; brooches [jewellery]; alarm clocks; pins [jewellery]; ornamental pins; tie pins; beads for making jewellery; pearls made of ambroid [pressed amber]; busts of precious metal; jewellery rolls; jet, unwrought or semi-wrought; jewellery findings; key rings [split rings with trinket or decorative fob]; pearls [jewellery]; copper tokens; tie clips; cuff links; clasps for jewellery; badges of precious metal; gold, unwrought or beaten; cloisonné jewellery; works of art of precious metal; jewellery; ivory jewellery; jewellery of yellow amber; iridium; cabochons; precious stones; semi-precious stones; spun silver [silver wire]; necklaces [jewellery]; split rings of precious metal for keys; rings [jewellery]; boxes of precious metal; presentation boxes for jewellery; watch cases [parts of watches]; clock cases; pendulums [clock- and watchmaking]; medals; lockets [jewellery]; precious metals, unwrought or semi-wrought; movements for clocks and watches; clockworks; misbaha [prayer beads]; coins; gold thread [jewellery]; threads of precious metal [jewellery]; silver thread [jewellery]; olivine [gems]; osmium; palladium; platinum [metal]; chronometric instruments; watch springs; crucifixes of precious metal, other than jewellery; crucifixes as jewellery; rhodium; ruthenium; stopwatches; silver, unwrought or beaten; earrings; ingots of precious metals; alloys of precious metal; statues of precious metal; figurines of precious metal; watch glasses; paste jewellery; watch hands; clock hands; ornaments of jet; shoe jewellery; hat jewellery; presentation boxes for watches; chronographs [watches]; chronometers; chronoscopes; chains [jewellery]; watch chains; dials [clock- and watchmaking]; atomic clocks; watches; sundials; clocks and watches, electric; control clocks [master clocks]; clocks; wristwatches; rosaries; jewellery boxes; spinel [precious stones].

16 – Fountain pens; aquarelles; albums; almanacs; document laminators for office use; mimeograph apparatus and machines; atlases; posters; banknotes; banners of paper; paper bows, other than haberdashery or hair decorations; table linen of paper; tickets; forms, printed; announcement cards [stationery]; note books; pads [stationery]; drawing pads; spiral notebooks; wristbands for the retention of writing instruments; pamphlets; booklets; paper sheets [stationery]; waxed paper; paper for medical examination tables; paper for recording machines; paper for radiograms; papers for painting and calligraphy; electrocardiograph paper; drawer liners of paper, perfumed or not; wood pulp paper; carbon paper; copying paper [stationery]; parchment paper; writing paper; rice paper; luminous paper; toilet paper; wrapping paper; filter paper; wash; paper; blotters; newsletters; rollers for typewriters; house painters' rollers; composing sticks; modelling wax, not for dental purposes; signboards of paper or cardboard; sewing patterns; bunting of paper; newspapers; electrotypes; hectographs; modelling clay; polymer modelling clay; terrestrial globes; drawing sets;

engravings; slate pencils; pencil leads; document holders [stationery]; pencil holders; chalk holders; holders for cheque books; holders for stamps [seals]; page holders; name badge holders [office requisites]; diagrams; table runners of paper; engraving plates; writing slates; blackboards; galley racks [printing]; drawing boards; advertisement boards of paper or cardboard; duplicators; punches [office requisites]; cream containers of paper; magazines [periodicals]; money clips; clips for name badge holders [office requisites]; tags for index cards; pen clips; bookmarks; etching needles; tracing needles for drawing purposes; periodicals; printed publications; paper shredders for office use; graphic representations; credit card im printers, non-electric; graining combs; drawing instruments; calendars; tracing paper; tracing cloth; tracing patterns; gums [adhesives] for stationery or household purposes; lithographic stones; ink stones [ink reservoirs]; pencils; pencil lead holders; charcoal pencils; pictures; transfers [decalcomanias]; paintings [pictures], framed or unframed; wood pulp board [stationery]; cardboard; hat boxes of cardboard; cards; index cards [stationery]; geographical maps; paper tapes and cards for the recordal of computer programmes; trading cards, other than for games; perforated cards for Jacquard looms; catalogues; spools for inking ribbons; flower-pot covers of paper; paintbrushes; painters' brushes; writing brushes; typewriter keys; glue for stationery or household purposes; isinglass for stationery or household purposes; gluten [glue] for stationery or household purposes; starch paste [adhesive] for stationery or household purposes; printing blocks; books; manifolds [stationery]; comic books; drawing pins; cigar bands; envelopes [stationery]; boxes of paper or cardboard; cases for stamps [seals]; paint boxes for use in schools; correcting fluids [office requisites]; printed coupons; stencils [stationery]; French curves; paper ribbons, other than haberdashery or hair decorations; typewriter ribbons; adhesive tapes for stationery or household purposes; correcting tapes [office requisites]; inking ribbons; self-adhesive tapes for stationery or household purposes; square rulers for drawing; drawing rulers; flyers; absorbent sheets of paper or plastic for foodstuff packaging; humidity control sheets of paper or plastic for foodstuff packaging; viscose sheets for wrapping; sheets of reclaimed cellulose for wrapping; plastic bubble packs for wrapping or packaging; steel letters; type [numerals and letters]; lithographs; letter trays; paint trays; architects' models; postage stamps; plastics for modelling; graphic prints; modelling materials; teaching materials [except apparatus]; sealing compounds for stationery purposes; adhesives [glues] for stationery or household purposes; padding materials of paper or cardboard; book-binding material; packing [cushioning, stuffing] materials of paper or cardboard; packaging material made of starches; filtering materials of paper; tablemats of paper; addressing machines; pencil sharpening machines, electric or non-electric; bookbinding apparatus

and machines [office equipment]; typewriters, electric or non-electric; paper creasers [office requisites]; franking machines for office use; chalk for lithography; writing chalk; tailors' chalk; marking chalk; spray chalk; bags [envelopes, pouches] of paper or plastics, for packaging; garbage bags of paper or of plastics; plastic bags for pet waste disposal; painters' easels; hand-rests for painters; printing sets, portable [office requisites]; bibs of paper; bibs, sleeved, of paper; stickers [stationery]; fingerstalls being office requisites; writing cases [stationery]; cords for bookbinding; paper knives [letter openers]; printed sheet music; numbering apparatus; bottle envelopes of paper or cardboard; sealing wafers; covers [stationery]; passport holders; plastic cling film, extensible, for palletization; embroidery designs [patterns]; handwriting specimens for copying; oleographs; musical greeting cards; greeting cards; postcards; etchings; conical paper bags; paper bags for use in the sterilization of medical instruments; bags for microwave cooking; palettes for painters; ink sticks; pantographs [drawing instruments]; files [office requisites]; folders for papers; papier mâché; pastels [crayons]; modelling paste; pen cases; pen wipers; office perforators; pens [office requisites]; nibs of gold; nibs; steel pens; drawing pens; song books; seals [stamps]; sealing stamps; clipboards; address plates for addressing machines; handkerchiefs of paper; plastic film for wrapping; desk mats; trays for sorting and counting money; coasters of paper; bookends; stamp stands; mats of paper for beer glasses; stands for pens and pencils; photograph stands; obliterating stamps; inking pads; stamp pads; binding strips [bookbinding]; towels of paper; inking sheets for document reproducing machines; inking sheets for duplicators; cloth for bookbinding; gummed cloth for stationery purposes; printers' blankets, not of textile; portraits; paperweights; writing cases [sets]; inkstands; office requisites, except furniture; writing materials; writing instruments; drawing materials; school supplies [stationery]; adhesive tape dispensers [office requisites]; hand labelling appliances; printed matter; lithographic works of art; prospectuses; printed timetables; ledgers [books]; printers' galleys; indexes; paper cutters [office requisites]; rubber erasers; elastic bands for offices; T-squares for drawing; graphic reproductions; retractable reels for name badge holders [office requisites]; penholders; marking pens [stationery]; tissues of paper for removing make-up; dental tray covers of paper; place mats of paper; tablecloths of paper; paper clasps; document files [stationery]; scrapers [erasers] for offices; paper-clips; clips for offices; erasing products; biological samples for use in microscopy [teaching materials]; histological sections for teaching purposes; steatite [tailor's chalk]; writing board erasers; composing frames [printing]; sealing wax; arithmetical tables; placards of paper or cardboard; writing or drawing books; fabrics for bookbinding; stationery; pencil sharpeners, electric or non-electric; transparencies [stationery]; stencil pla-

tes; cardboard tubes; Indian inks; moisteners [office requisites]; moisteners for gummed surfaces [office requisites]; squares for drawing; chart pointers, non-electronic; bottle wrappers of paper or cardboard; envelope sealing machines for offices; sealing machines for offices; vignetting apparatus; apparatus for mounting photographs; stapling presses [office requisites]; manuals [handbooks]; figurines of papier mâché; paper coffee filters; flags of paper; silver paper; moulds for modelling clays [artists' materials]; photo-engravings; photographs [printed]; stencil cases; canvas for painting; chromolithographs [chromos]; animation cels; compasses for drawing; numbers [type]; artists' watercolour saucers; correcting ink [heliography]; ink; inkwells; blueprints; stencils; erasing shields; balls for ball-point pens; desktop cabinets for stationery [office requisites]; printing type; address stamps; stamps [seals]; shields [paper seals]; prints [engravings]; labels of paper or cardboard.

18 – Mountaineering sticks; slings for carrying infants; luggage tags; pocket wallets; saddlecloths for horses; business card cases; reins; reins for guiding children; sling bags for carrying infants; harness fittings; credit card cases [wallets]; parts of rubber for stirrups; chamois leather, other than for cleaning purposes; umbrellas; parasols; saddlery; frames for umbrellas or parasols; frames for bags [structural parts of bags]; card cases [notecases]; cases of leather or leatherboard; valves of leather; whips; imitation leather; leather, unworked or semi-worked; leatherboard; casings, of leather, for springs; umbrella rings; hat boxes of leather; boxes of leather or leatherboard; boxes of vulcanized fibre; purses; chain mesh purses; fastenings for saddles; butts [parts of hides]; saddle trees; bags [envelopes, pouches] of leather, for packaging; moleskin [imitation of leather]; travelling sets [leatherware]; knee-pads for horses; muzzles; halters; vanity cases, not fitted; furniture coverings of leather; clothing for pets; covers for animals; trimmings of leather for furniture; collars for animals; hiking sticks; conference folders; music cases; goldbeaters' skin; cat o' nine tails; leather leashes; pads for horse saddles; horseshoes; girths of leather; horse blankets; garment bags for travel; shoulder belts [straps] of leather; briefcases; traces [harness]; fur; randsels [Japanese school satchels]; haversacks; leather straps; straps for soldiers' equipment; harness straps; straps for skates; straps of leather [saddlery]; chin straps, of leather; stirrup leathers; umbrella handles; walking stick handles; suitcase handles; grips for holding shopping bags; rucksacks; travelling bags; riding saddles; net bags for shopping; umbrella or parasol ribs; stirrups; bags for climbers; tool bags, empty; handbags; beach bags; saddlebags; compression cubes adapted for luggage; bags for sports; bags for campers; reusable shopping bags; wheeled shopping bags; school bags; bags; pouch baby carriers; travelling trunks; trunks [luggage]; nose bags [feed bags]; bridoons; umbrella sticks; walking stick seats; walking sticks; tefillin [phylacteries];

bits for animals [harness]; bridles [harness]; harness for animals; key cases; horse collars; suitcases; motorized suitcases; suitcases with wheels; valises; attaché cases; covers for horse saddles; umbrella covers; kid; curried skins; animal skins; cattle skins; leather cord; blinkers [harness]; labels of leather; game bags [hunting accessories].

20 – Picture frame brackets; bumper guards for cots, other than bed linen; reels, not of metal, non-mechanical, for flexible hoses; pulleys of plastics for blinds; bolts, not of metal; casks of wood for decanting wine; mooring buoys, not of metal; casks, not of metal; barrels, not of metal; identification bracelets, not of metal; sideboards; busts of wood, wax, plaster or plastic; costume stands; bolsters; fans for personal use, non-electric; work benches; vice benches [furniture]; valet stands; coatstands; coat hangers; shoulder poles [yokes]; screws, not of metal; display stands; showcases [furniture]; newspaper display stands; jewellery organizer displays; collars, not of metal, for fastening pipes; comb foundations for beehives; signboards of wood or plastics; loading gauge rods, not of metal, for railway wagons; nuts, not of metal; covers for clothing [wardrobe]; shoe pegs, not of metal; nesting boxes; coffins; doors for furniture; curtain holders, not of textile material; dowels, not of metal; divans; kennels for household pets; birdhouses; keyboards for hanging keys; display boards; plugs [dowels], not of metal; containers, not of metal, for liquid fuel; troughs, not of metal, for mixing mortar; oil drainage containers, not of metal; packaging containers of plastic; flower-stands [furniture]; curtain tie-backs; clips, not of metal, for cables and pipes; binding screws, not of metal, for cables; clips of plastic for sealing bags; rivets, not of metal; imitation tortoiseshell; locks, not of metal, for vehicles; locks, other than electric, not of metal; bead curtains for decoration; door bolts, not of metal; bottle closures, not of metal; closures, not of metal, for containers; latches, not of metal; mirrors [looking glasses]; hand-held mirrors [toilet mirrors]; bamboo, unworked or semi-worked; scratching posts for cats; animal claws; animal hooves; coral; meerschaum; whalebone, unworked or semi-worked; stag antlers; tortoiseshell; shells; horn, unworked or semi-worked; animal horns; rattan; ivory, unworked or semi-worked; corozo; plaited straw, except matting; wickerwork; hampers [baskets] for the transport of items; works of art of wood, wax, plaster or plastic; cabinet work; reeds [plaiting materials]; settees; jerrycans, not of metal; curtain rods; index cabinets [furniture]; reels of wood for yarn, silk, cord; drain traps [valves] of plastic; water-pipe valves of plastic; valves, not of metal, other than parts of machines; staves of wood; plastic keys; plastic key cards, not encoded and not magnetic; mats for infant playpens; sleeping pads [mats or cushions]; saw horses; bed casters, not of metal; furniture casters, not of metal; brush mountings; chopping blocks [tables]; wind chimes [decoration]; door bells, not of metal, non-electric; bottle

caps, not of metal; bassinets; tent pegs, not of metal; curtain rings; split rings, not of metal, for keys; chests of drawers; console tables; containers, not of metal [storage, transport]; floating containers, not of metal; lecterns; dog kennels; bakers' bread baskets; baskets, not of metal; Moses baskets; bottle casings of wood; tool boxes, not of metal, empty; taps, not of metal, for casks; armchairs; hairdressers' chairs; deck chairs; hospital beds; bedsteads of wood; air beds, not for medical purposes; beds; cots for babies; edgings of plastic for furniture; brackets, not of metal, for furniture; screw tops, not of metal, for bottles; table tops; sash fasteners, not of metal, for windows; coathooks, not of metal; curtain hooks; clothes hooks, not of metal; bag hangers, not of metal; beds for household pets; nesting boxes for household pets; ladders of wood or plastics; playpens for babies; tailors' dummies; air mattresses, not for medical purposes; camping mattresses; mattresses; hydrostatic beds, not for medical purposes; furniture; furniture of metal; inflatable furniture; office furniture; school furniture; mobiles [decoration]; door knockers, not of metal; curtain rails; legs for furniture; feet for furniture; house numbers, not of metal, non-luminous; cask hoops, not of metal; door stops, not of metal or rubber; window stops, not of metal or rubber; mouldings for picture frames; bed bases; furniture partitions of wood; freestanding partitions [furniture]; mother-of-pearl, unworked or semi-worked; mirror tiles; ambroid plates; novelty license plates of plastic; identity plates, not of metal; loading pallets, not of metal; handling pallets, not of metal; transport pallets, not of metal; head-rests [furniture]; trays, not of metal; stakes, not of metal, for plants or trees; trestles [furniture]; magazine racks; book rests [furniture]; stands for calculating machines; flower pot supports; plastic ramps for use with vehicles; reusable baby changing mats; pet cushions; pillows; cushions; head support cushions for babies; anti-roll cushions for babies; air cushions, not for medical purposes; air pillows, not for medical purposes; head positioning pillows for babies; removable covers for sinks; racks [furniture]; library shelves; shelves for file cabinets; furniture shelves; shelves for storage; wood ribbon; straw edgings; towel stands [furniture]; hat stands; bathtub grab bars, not of metal; cask stands, not of metal; inflatable publicity objects; counters [tables]; bedding, except linen; corks for bottles; corks; stoppers, not of glass, metal or rubber; sealing caps, not of metal; stair rods; standing desks; embroidery frames; dispensers for dog waste bags, fixed, not of metal; tissue dispensers, fixed, not of metal; picture frames; sections of wood for beehives; crucifixes of wood, wax, plaster or plastic, other than jewellery; reservoirs, not of metal nor of masonry; fodder racks; curtain rollers; door handles, not of metal; knobs, not of metal; fishing baskets; writing desks; seats of metal; benches [furniture]; vats, not of metal; honeycombs; sofas; plugs, not of metal; statues of wood, wax, plaster or plastic; figurines of wood, wax, plaster

or plastic; oyster shells; silvered glass [mirrors]; shelving units; ambroid bars; umbrella stands; gun racks; trolleys for computers [furniture]; dressing tables; washstands [furniture]; typing desks; drafting tables; massage tables; tables of metal; wall-mounted baby changing platforms; saw benches [furniture]; desks; tea trolleys; dinner wagons [furniture]; tables; steps [ladders], not of metal; chairs [seats]; high chairs for babies; shower chairs; chests, not of metal; placards of wood or plastics; stools; footstools; crates; trolleys [furniture]; straw plaits; mobile boarding stairs, not of metal, for passengers; straw mattresses; decorations of plastic for foodstuffs; beehives; door fasteners, not of metal; window fasteners, not of metal; funerary urns; winding spools, not of metal, non-mechanical, for flexible hoses; hand-held flagpoles, not of metal; door fittings, not of metal; coffin fittings, not of metal; bed fittings, not of metal; furniture fittings, not of metal; window fittings, not of metal; infant walkers; garment covers [storage]; stuffed animals; stuffed birds; hinges, not of metal; chaise longues; poles, not of metal; screens [furniture]; filing cabinets; medicine cabinets; dish cabinets; meat safes; bookcases; wardrobes; cupboards; shoe dowels, not of metal; bamboo curtains; indoor window blinds of paper; slatted indoor blinds; indoor window blinds of woven wood; indoor window blinds [furniture]; indoor window blinds of textile; screens for fireplaces [furniture]; labels of plastic; yellow amber; lockers [furniture]; chests for toys; tool chests, not of metal, empty; boxes of wood or plastic; letter boxes, not of metal or masonry; bottle racks.

21 – Autoclaves, non-electric, for cooking; indoor aquaria; wine aerators; buckets; cookie jars; candle jars [holders]; china ornaments; dishes; paper plates; vegetable dishes; saucers; goblets; boxes for sweets; bottles; demijohns; busts of porcelain, ceramic, earthenware or glass; vases; epergnes; fruit bowls; inflatable bath tubs for babies; bird baths; baby baths, portable; plungers for clearing blocked drains; waffle irons, non-electric; ice buckets; mop wringer buckets; buckets made of woven fabrics; whisks, non-electric, for household purposes; cooking skewers of metal; towel rails and rings; clothing stretchers; hair for brushes; horsehair for brush-making; birdcages; funnels; carpet beaters [hand instruments]; signboards of porcelain or glass; candle extinguishers; heads for electric toothbrushes; flower pots; chamber pots; gluepots; cruets; decanters; large-toothed combs for the hair; combs for animals; tea cosies; abrasive sponges for scrubbing the skin; make-up sponges; sponges for household purposes; bath sponges; sponge holders; stands for portable baby baths; toothpick holders; soap holders; table napkin holders; holders for flowers and plants [flower arranging]; tea bag rests; shaving brush stands; toilet paper holders; soap dispensers; toilet paper dispensers; plug-in diffusers for mosquito repellents; ironing boards; cutting boards for the kitchen; bread boards; washing boards; crushers for kitchen use, non-electric; strainers for household purpo-



ses; smoke absorbers for household purposes; containers for household or kitchen use; kitchen containers; glass jars [carboys]; heat-insulated containers; heat-insulated containers for beverages; thermally insulated containers for food; glass flasks [containers]; closures for pot lids; chamois leather for cleaning; toothpicks; ceramics for household purposes; majolica; works of art of porcelain, ceramic, earthenware, terracotta or glass; brushes, except paint brushes; kitchen grinders, non-electric; cleaning instruments, hand-operated; cabarets [trays]; stew-pans; flower-pot covers, not of paper; shaving brushes; make-up brushes; basting brushes; cages for pets; baking mats; ladles for serving wine; polishing leather; hot pots, not electrically heated; glass bulbs [receptacles]; shoe trees; napkin rings; poultry rings; rings for birds; coin banks; piggy banks; bread baskets for household purposes; baskets for household purposes; waste paper baskets; feeding troughs; mangers for animals; lunch boxes; tea caddies; washtubs; earthenware saucepans; mess-tins; cauldrons; coffee percolators, non-electric; coffeepots, non-electric; coffee grinders, hand-operated; fused silica [semi-worked product], other than for building; beer mugs; tankards; rat traps; pot lids; aquarium hoods; butter-dish covers; dish covers; cheese-dish covers; buttonhooks; reusable ice cubes; jugs; perfume burners; watering cans; fly traps; insect traps; ice cream scoops; mixing spoons [kitchen utensils]; basting spoons [cooking utensils]; pie servers; cosmetic spatulas; spatulas for kitchen use; litter boxes for pets; butter dishes; material for brush-making; polishing materials for making shiny, except preparations, paper and stone; tablemats, not of paper or textile; noodle machines, hand-operated; lint removers, electric or non-electric; polishing apparatus and machines, for household purposes, non-electric; pepper mills, hand-operated; mills for household purposes, hand-operated; feather-dusters; brooms; isothermic bags; decorating bags for confectioners; bowls [basins]; mosaics of glass, not for building; saucepan scourers of metal; soap boxes; mouse traps; cooking pot sets; nozzles for watering cans; pouring spouts; cake decorating tips and tubes; nozzles for watering hose; fitted picnic baskets, including dishes; toilet cases; floss for dental purposes; fibreglass thread, other than for textile use; cookie [biscuit] cutters; pastry cutters; sprinklers; syringes for watering flowers and plants; cotton waste for cleaning; wool waste for cleaning; cleaning tow; cold packs for chilling food and beverages; chopsticks; cocktail stirrers; food steamers, non-electric; pepper pots; oven mitts; gloves for household purposes; car washing mitts; polishing gloves; gardening gloves; pestles for kitchen use; plates to prevent milk boiling over; dripping pans; trays for household purposes; trays of paper, for household purposes; lazy susans; heaters for feeding bottles, non-electric; candelabra [candlesticks]; trivets [table utensils]; coasters, not of paper or textile; grill supports; menu card holders; knife rests for the table; flat-iron stands; egg

cups; abrasive pads for kitchen purposes; scouring pads; drinking troughs; serving ladles; powdered glass for decoration; pottery; pots; cooking pots, non-electric; painted glassware; tableware, other than knives, forks and spoons; porcelain ware; earthenware; crystal [glassware]; cosmetic utensils; cleaning utensils for toilets; trouser presses; tortilla presses, non-electric [kitchen utensils]; deodorizing apparatus for personal use; cruet sets for oil and vinegar; make-up removing appliances; spice sets; apparatus for wax-polishing, non-electric; bottle openers, electric and non-electric; glove stretchers; boot jacks; crumb trays; tie presses; potholders; clothes-pegs; glass stoppers; powder compacts; perfume vaporizers; powder puffs; dusting apparatus, non-electric; foam toe separators for use in pedicures; electric combs; combs; grills [cooking utensils]; sifters [household utensils]; drinking horns; shoe horns; candle drip rings; broom handles; salad bowls; place mats, not of paper or textile; sugar bowls; beaters, non-electric; egg separators, non-electric, for household purposes; services [dishes]; coffee services [tableware]; liqueur sets; tea services [tableware]; cooking mesh bags, other than for microwaves; sieves [household utensils]; cinder sifters [household utensils]; tea strainers; wine-tasting pipettes; siphon bottles for carbonated water; rolling pins, domestic; frying pans; steel wool for cleaning; currycombs; blenders, non-electric, for household purposes; scoops for household purposes; fruit presses, non-electric, for household purposes; straws for drinking; salt cellars; drinking vessels; vessels for making ices and ice cream, non electric; refrigerating bottles; bulb basters; cups of paper or plastic; glasses [receptacles]; drinking glasses; statues of porcelain, ceramic, earthenware, terra-cotta or glass; figurines of porcelain, ceramic, earthenware, terra-cotta or glass; glass for vehicle windows [semi-finished product]; plate glass [raw material]; opal glass; glass, unworked or semi-worked, except building glass; opaline glass; glass incorporating fine electrical conductors; enamelled glass, not for building; glass wool, other than for insulation; vitreous silica fibres, other than for textile use; fibreglass, other than for insulation or textile use; mortars for kitchen use; portable cool boxes, non-electric; soup tureens; drying racks for laundry; rotary washing lines; basins [receptacles]; table plates; disposable table plates; graters for kitchen use; insulating flasks; indoor terrariums [plant cultivation]; indoor terrariums [vivariums]; cloth for washing floors; polishing cloths; cloths for cleaning; dusting cloths [rags]; furniture dusters; urns being vases; urns being planter pots for flowers and plants; atomizers for household purposes; wax-polishing appliances, non-electric, for shoes; water apparatus for cleaning teeth and gums; electric devices for attracting and killing insects; watering devices; utensils for household purposes; kitchen utensils; cooking utensils, non-electric; coffee filters, non-electric; flasks; hip flasks; drinking bottles for sports; moulds [kitchen utensils]; cake moulds; ice

cube moulds; cookery moulds; deep fryers, non-electric; comb cases; bread bins; fly swatters; teapots; kettles, non-electric; cups; garlic presses [kitchen utensils]; ironing board covers, shaped; tea infusers; decorative glass spheres; mops; mop wringers; cocktail shakers; corkscrews, electric and non-electric; animal bristles [brushware]; pig bristles for brush-making; dishwashing brushes; ski wax brushes; brushes for cleaning tanks and containers; lamp-glass brushes; horse brushes; scrubbing brushes; toothbrushes; toothbrushes, electric; carpet sweepers; shoe brushes; tar-brushes, long handled; toilet brushes; electric brushes, except parts of machines; brushes; eyebrow brushes; nail brushes; eyelash brushes; nutcrackers; ice tongs; salad tongs; sugar tongs; decanter tags; nest eggs, artificial; boxes for dispensing paper towels; dustbins; window-boxes; boxes of glass.

22 – String; twine made of paper; packing string; tarpaulins; wadding for padding and stuffing upholstery; wadding for filtering; whipcord; packing rope; ropes; seaweed for stuffing; carbon fibres for textile use; esparto grass; coconut fibre; plastic fibres for textile use; ramie fibre; textile fibres; horsehair; hammocks; jute; wax ends; outdoor blinds of textile; ropes, not of metal; kapok; cocoons; raw linen [flax]; strips for tying-up vines; ladder tapes for Venetian blinds; wrapping or binding bands, not of metal; rope ladders; linters; liber; padding materials, not of rubber, plastics, paper or cardboard; packing [cushioning, stuffing] materials, not of rubber, plastics, paper or cardboard; bags [envelopes, pouches] of textile, for packaging; sacks for the transport and storage of materials in bulk; body bags; mail bags; mesh bags for washing laundry; purse seines; twine for nets; binding thread, not of metal, for agricultural purposes; thread, not of metal, for wrapping or binding; braces, not of metal, for handling loads; bindings, not of metal; sawdust; straw wrappers for bottles; tow; cotton tow; silk flock; tents; sails; sails for ski sailing; canvas for sails; hemp fibres; brattice cloth; feathers for stuffing upholstery; feathers for bedding; animal hair; fibrous gaskets for ships; down [feathers]; eiderdown; raffia; straps, not of metal, for handling loads; hemp bands; fleece wool; net pens for fish farming; snares [nets]; nets for camouflage; fishing nets; nets; animal feeding nets; sisal; straw for stuffing upholstery; sheaf-binding yarns; vitreous silica fibres for textile use; glass fibres for textile use; slings, not of metal, for handling loads; wood shavings; raw fibrous textile; awnings of synthetic materials; awnings of textile; network; grasses for upholstering; car towing ropes; cables, not of metal; cotton waste [flock] for padding and stuffing; schappe [raw silk waste]; wool flock; raw cotton; vehicle covers, not fitted; dust sheets; covers for camouflage; raw silk; carded wool; camel hair; flock [stuffing]; upholstery wool [stuffing]; wood wool; combed wool; raw or treated wool; shorn wool; cords for hanging pictures; sash cords; pig bristles.

23 – Thread of metal for embroidery; embroidery thread and yarn; jute thread and yarn; coir thread and yarn; rayon thread and yarn; threads of plastic materials for textile use; fibreglass thread for textile use; linen thread and yarn; hemp thread and yarn; rubber thread for textile use; cotton thread and yarn; sewing thread and yarn; silk thread and yarn; woollen thread and yarn; darning thread and yarn; elastic thread and yarn for textile use; yarn; spun thread and yarn; spun cotton; spun silk; spun wool; chenille yarn; leather threads.

24 – Frieze [cloth]; banners of textile or plastic; velvet; household linen; diapered linen; bath linen, except clothing; bed linen; table linen, not of paper; cot bumpers [bed linen]; buckram; fustian; sleeping bag liners; felt; bunting of textile or plastic; gauze [cloth]; damask; jersey [fabric]; table runners, not of paper; drugget; shower curtains of textile or plastic; curtains of textile or plastic; net curtains; zephyr [cloth]; canvas for tapestry or embroidery; bolting cloth; baby buntings; crepe [fabric]; crepon; marabouts [cloth]; furniture coverings of textile; fabrics for textile use; filtering materials of textile; wall hangings of textile; non-woven textile fabrics; plastic material [substitute for fabrics]; textile material; tablemats of textile; sleeping bags; sleeping bags for babies; moleskin [fabric]; muslin fabric; pillowcases; mattress covers; bed blankets; blankets for household pets; brocades; diaper changing cloths for babies; handkerchiefs of textile; travelling rugs [lap robes]; coasters of textile; bed valances; linings [textile]; hat linings, of textile, in the piece; curtain holders of textile material; bed covers; bed covers of paper; furniture coverings of plastic; towels of textile; hemp cloth; gummed cloth, other than for stationery purposes; printers' blankets of textile; cloth; door curtains; bedsheets; eiderdowns [down coverlets]; bath mitts; shrouds; glass cloths [towels]; cloths for removing make-up; face towels of textile; place mats of textile; table napkins of textile; mosquito nets; calico; oilcloth for use as tablecloths; tablecloths, not of paper; billiard cloth; taffeta [cloth]; ticks [mattress covers]; tick [linen]; lingerie fabric; fabric, impervious to gases, for aeronautical balloons; jute fabric; fabric for footwear; ramie fabric; esparto fabric; rayon fabric; fibreglass fabrics for textile use; adhesive fabric for application by heat; linen cloth; upholstery fabrics; hemp fabric; lining fabric for footwear; traced cloths for embroidery; chenille fabric; printed calico cloth; knitted fabric; cotton fabrics; silk fabrics for printing patterns; woollen cloth; elastic woven fabrics; fabric; fabric imitating animal skins; haircloth [sackcloth]; cheese cloth; tulle; flags of textile or plastic; flannel [fabric]; trellis [cloth]; covers for cushions; fitted toilet lid covers of fabric; covers [loose] for furniture; pillow shams; cheviots [cloth]; silk [cloth]; labels of textile.

25 – Wimples; bandanas [neckerchiefs]; underwear; sweat-absorbent underwear; berets; overalls; boas [ne-

cklets]; teddies [underclothing]; boxer shorts; ankle boots; ski boots; boots for sports; breeches for wear; trousers; football shoes; brassieres; valenki [felted boots]; collars [clothing]; detachable collars; shirt yokes; veils [clothing]; gabardines [clothing]; galoshes; neckties; ascots; gaiters; footless socks; boot uppers; corselets; jerseys [clothing]; waistcoats; sports jerseys; hosiery; heels; hoods [clothing]; hat frames [skeletons]; pockets for clothing; scarves; kimonos; sun visors [headwear]; cap peaks; tights; slippers [underclothing]; combinations [clothing]; wet suits for water-skiing; bodices [lingerie]; corsets [underclothing]; suits; bathing suits; masquerade costumes; beach clothes; leotards; jackets [clothing]; stuff jackets [clothing]; fishing vests; leggings [trousers]; liveries; camisoles; sports singlets; cuffs; short-sleeve shirts; mantillas; coats; sleep masks; furs [clothing]; fingerless gloves; mitres [hats]; muffs [clothing]; footmuffs, not electrically heated; top lifts for shoes; bibs, not of paper; bibs, sleeved, not of paper; fur stoles; hairdressing capes; ear muffs [clothing]; socks; sweat-absorbent socks; beach shoes; sports shoes; footwear; paper clothing; outerclothing; ready-made clothing; motorists' clothing; cyclists' clothing; clothing for gymnastics; clothing of imitations of leather; clothing of leather; waterproof clothing; uniforms; clothing; fittings of metal for footwear; maniples; overcoats; knickers; parkas; pelerines; gloves [clothing]; ski gloves; pyjamas; bathing trunks; shirt fronts; pocket squares; dresses; headbands [clothing]; garters; sock suspenders; stocking suspenders; ready-made linings [parts of clothing]; dress shields; soles for footwear; braces [suspenders] for clothing; half-boots; lace boots; sweaters; ponchos; girdles; belts [clothing]; money belts [clothing]; layettes [clothing]; non-slipping devices for footwear; heelpieces for stockings; welts for footwear; chasubles; shirts; wooden shoes; sandals; bath sandals; boots; jumper dresses; saris; sarongs; footwear uppers; inner soles; albs; bath slippers; togas; knitwear [clothing]; underpants; gymnastic shoes; slippers; shoes; skull caps; turbans; headwear; aprons [clothing]; judo uniforms; karate uniforms; tee-shirts; dressing gowns; bath robes; top hats; tips for footwear; stockings; sweat-absorbent stockings; shawls; caps [headwear]; paper hats [clothing]; shower caps; bathing caps; studs for football shoes; hats; babies' pants [underwear]; gaiter straps; pelisses; esparto shoes or sandals; skirts; petticoats; skorts.

26 – Appliqués [haberdashery]; haberdashery bows; fringes; mica spangles; shoe eyelets; false beards; charms, other than for jewellery, key rings or key chains; brooches [clothing accessories]; entomological pins; pins, other than jewellery; beads, other than for making jewellery; wreaths of artificial flowers; artificial Christmas wreaths; artificial Christmas wreaths incorporating lights; false hair; human hair; lace for edgings; artificial garlands; artificial Christmas garlands; artificial Christmas garlands incorporating lights; darning lasts; expanding bands for holding

sleeves; frills [lacework]; trouser clips for cyclists; hair grips; hair barrettes; heat adhesive patches for repairing textile articles; blouse fasteners; shoe fasteners; fastenings for clothing; fastenings for suspenders; belt clasps; hook and pile fastening tapes; zip fasteners; zippers for bags; badges for wear, not of precious metal; competitors' numbers; embroidery needles; needles for wool combing machines; binding needles; saddlers' needles; shoemakers' needles; sewing needles; darning needles; needles; boxes for needles; lace trimmings; embroidery; haberdashery [dressmakers' articles], except thread; decorative articles for the hair; heat adhesive patches for decoration of textile articles [haberdashery]; edgings for clothing; braids; gold embroidery; silver embroidery; bobbins for retaining embroidery floss or wool [not parts of machines]; tassels [haberdashery]; snap fasteners; sewing boxes; plaited hair; false hems; hooks [haberdashery]; crochet hooks; rug hooks; hooks for corsets; shoe hooks; haberdashery ribbons; ribbons for the hair; ribbons and bows, not of paper, for gift wrapping; prize ribbons; hatbands; elastic ribbons; letters for marking linen; numerals for marking linen; monogram tabs for marking linen; sewing kits; toupees; sewing thimbles; needle-threaders; skirt flounces; bows for the hair; spangles for clothing; hair curling papers; wigs; feathers [clothing accessories]; birds' feathers [clothing accessories]; ostrich feathers [clothing accessories]; eyelets for clothing; picot [lace]; corset busks; hair bands; brassards; tapes for curtain headings; shoulder pads for clothing; pin cushions; needle cushions; top-knots [pompoms]; hair curlers, electric and non-electric, other than hand implements; buckles [clothing accessories]; shoe buckles; buttons; ornamental novelty badges [buttons]; artificial plants, other than Christmas trees; rosettes [haberdashery]; frills for clothing; hair nets; chenille [passementerie]; knitting needles; cords for trimming; shoe trimmings; trimmings for clothing; hat trimmings; false moustaches; festoons [embroidery]; artificial fruit; needle cases; artificial flowers; shuttles for making fishing nets; hair colouring caps; bodkins; hair extensions; shoe laces; cords for clothing; woollen laces; hair pins; hair curling pins; collar supports.

27 – Artificial turf; yoga mats; floor mats, fire-resistant, for fireplaces and barbecues; carpets; decorative wall hangings, not of textile; carpets for automobiles; bath mats; non-slip mats; linoleum; mats of woven rope for ski slopes; wallpaper; textile wallpaper; carpet underlay; gymnastic mats; vinyl floor coverings; floor coverings; door mats; mats; reed mats.

28 – Arcade video game machines; video game machines; gaming machines for gambling; amusement machines, automatic and coin-operated; toy vehicles; swimming pools [play articles]; trampolines; novelty toys for parties; scratch cards for playing lottery games; starting blocks for sports; bodyboards; skating boots with skates attached; dolls' feeding bottles; tri-

cycles for infants [toys]; stationary exercise bicycles; creels [fishing traps]; shuttlecocks; spinning tops [toys]; dumb-bells; gyroscopes and flight stabilizers for model aircraft; jigsaw puzzles; clay pigeons [targets]; punching bags; bite sensors [fishing tackle]; hang gliders; joysticks for video games; flying discs [toys]; discuses for sports; dolls' houses; dominoes; swimming kickboards; paddleboards; surfboards; spring boards [sports articles]; skateboards; sailboards; chessboards; draughtboards; drones [toys]; darts; Christmas trees of synthetic material; cups for dice; swimming jackets; ascenders [mountaineering equipment]; kites; needles for pumps for inflating balls for games; toys for pets; stuffed toys; plush toys; toy mobiles; novelty toys for playing jokes; toys; portable games and toys incorporating telecommunication functions; board games; table-top games; ring games; games; building games; toy imitation cosmetics; swimming pool air floats; kaleidoscopes; bladders of balls for games; rosin used by athletes; edges of skis; bingo cards; playing cards; fairground ride apparatus; reels for fishing; rocking horses; swings; skittles; skittles [games]; billiard cues; golf clubs; hockey sticks; baby gyms; seal skins [coverings for skis]; bells for Christmas trees; dolls' rooms; controllers for game consoles; controllers for toys; confetti; ice skates; roller skates; in-line roller skates; dice; paintball guns [sports apparatus]; ski bindings; dolls' beds; roulette wheels; fish hooks; building blocks [toys]; dolls; flippers for swimming; rhythmic gymnastics ribbons; fishing lines; gut for fishing; bows for archery; skis; waterskis; surf skis; mah-jong; toy models; hunting game calls; puppets; masks [playthings]; carnival masks; theatrical masks; fencing masks; toy putty; matryoshka dolls; masts for sailboards; ball pitching machines; teddy bears; chalk for billiard cues; targets; electronic targets; scale model kits [toys]; scale model vehicles; kite reels; balls for games; artificial fishing bait; billiard table cushions; knee guards [sports articles]; billiard cue tips; elbow guards [sports articles]; backgammon games; pumps specially adapted for use with balls for games; dolls' clothes; fencing weapons; twirling batons; paragliders; pachinkos; baseball gloves; boxing gloves; golf gloves; gloves for games; batting gloves [accessories for games]; fencing gauntlets; pinatas; toy pistols; toy air pistols; percussion caps [toys]; caps for pistols [toys]; toy dough; protective films adapted for screens for portable games; rattles [playthings]; horseshoe games; candle holders for Christmas trees; Christmas tree stands; sole coverings for skis; water wings; floats for fishing; portable games with liquid crystal displays; swimming belts; decoys for hunting or fishing; scent lures for hunting or fishing; archery implements; soap bubbles [toys]; divot repair tools [golf accessories]; billiard markers; protective paddings [parts of sports suits]; rackets; surfboard leashes; harness for sailboards; weight lifting belts [sports articles]; toy robots; sling shots [sports articles]; rollers for stationary exercise bicycles; har-

poon guns [sports articles]; plush toys with attached comfort blanket; scooters [toys]; sleds [sports articles]; bob-sleighs; butterfly nets; landing nets for anglers; nets for sports; tennis nets; bite indicators [fishing tackle]; slot machines [gaming machines]; appliances for gymnastics; quoits; bar-bells; climbers' harness; fishing tackle; artificial snow for Christmas trees; snowshoes; snowboards; remote-controlled toy vehicles; clay pigeon traps; billiard tables; coin-operated billiard tables; tables for table tennis; strings for rackets; gut for rackets; cricket bags; golf bags, with or without wheels; golf bag trolleys; slides [playthings]; body-building apparatus; machines for physical exercises; men's athletic supporters [sports articles]; rods for fishing; ornaments for Christmas trees, except illumination articles and confectionery; tennis ball throwing apparatus; conjuring apparatus; apparatus for games; bowling apparatus and machinery; toy figures; counters [discs] for games; chips for gambling; foosball tables; party poppers [party novelties]; Christmas crackers [party novelties]; bags especially designed for skis and surfboards; marbles for games; billiard balls; balls for playing bowls; play balloons; paintballs [ammunition for paintball guns] [sports apparatus]; snow globes; chess games; draughts [games]; poles for pole vaulting; paper party hats; shin guards [sports articles]; camouflage screens [sports articles]; chest expanders [exercisers].

29 – Ajvar being preserved peppers; aloe vera prepared for human consumption; alginates for culinary purposes; anchovy, not live; peanuts, prepared; artichokes, preserved; albumen for culinary purposes; white of eggs; beans, preserved; soya beans, preserved, for food; broth; ginger jam; ham; fatty substances for the manufacture of edible fats; laver, preserved; edible birds' nests; sea-cucumbers, not live; peas, preserved; mushrooms, preserved; guacamole; game, not live; gelatine; meat jellies; jellies for food; fruit jelly spreads; yolk of eggs; coconut fat; bone oil for food; lard; suet for food; edible fats; rennet; fruit-based snack food; milk substitutes; soya patties; tofu patties; charcuterie; cottage cheese fritters; raisins; caviar; aubergine paste; vegetable marrow paste; fish roe, prepared; yogurt; galbi being grilled meat dish; sauerkraut; kephir; kimchi [fermented vegetable dish]; isinglass for food; clams, not live; potato-based dumplings; klipfish [salted and dried cod]; milk shakes; black pudding; onion rings; arrangements of processed fruit; compotes; meat, tinned; vegetables, tinned; fish, tinned; fruits, tinned; broth concentrates; corn dogs; gherkins; shrimps, not live; prawns, not live; buttercream; croquettes; silkworm chrysalis for human consumption; sweet corn, processed; koumiss; spiny lobsters, not live; lecithin for culinary purposes; salmon, not live; onions, preserved; margarine; marmalade; oils for food; peanut butter; cocoa butter for food; coconut oil for food; coconut butter; maize oil for food; sesame oil for food; linseed oil for food; extra virgin olive oil for food; olive oil for food; palm oil for food; palm

kernel oil for food; sunflower oil for food; rape oil for food; butter; soya bean oil for food; mussels, not live; almonds, ground; animal marrow for food; molluscs, not live; milk; peanut milk; peanut milk for culinary purposes; coconut milk; coconut milk for culinary purposes; almond milk; almond milk for culinary purposes; oat milk; rice milk; rice milk for culinary purposes; albumin milk; condensed milk; soya milk; powdered milk; fish meal for human consumption; vegetable mousses; fish mousses; fruit pulp; meat; meat, preserved; freeze-dried meat; milk beverages, milk predominating; peanut milk-based beverages; coconut milk-based beverages; almond milk-based beverages; edible insects, not live; sausage casings, natural or artificial; vegetables, preserved; freeze-dried vegetables; vegetables, dried; vegetables, cooked; potato fritters; olives, preserved; lobsters, not live; flavoured nuts; candied nuts; coconut, desiccated; nuts, prepared; tomato paste; pressed fruit paste; liver pâté; pectin for culinary purposes; liver; pickles; jams; powdered eggs; milk products; fish-based foodstuffs; prostokvasha being soured milk; poultry, not live; bulgogi; pollen prepared as foodstuff; cranberry compote; tomato purée; apple purée; crayfish, not live; crustaceans, not live; fish, preserved; fish, not live; salted fish; ryazhenka being fermented baked milk; vegetable salads; fruit salads; bacon; sardines, not live; pork; herrings, not live; seeds, prepared; sunflower seeds, prepared; cream [dairy products]; whipped cream; vegetable-based cream; fat-containing mixtures for bread slices; smetana; lemon juice for culinary purposes; tomato juice for cooking; vegetable juices for cooking; salted meats; sausages; sausages in batter; hot dog sausages; preparations for making bouillon; preparations for making soup; nut-based spreads; tripe; soups; vegetable soup preparations; whey; cheese; tahini [sesame seed paste]; tofu; truffles, preserved; tuna, not live; oysters, not live; falafel; milk ferments for culinary purposes; fish fillets; dates; crystallized fruits; frozen fruits; fruit, preserved; fruit preserved in alcohol; fruit, stewed; hazelnuts, prepared; potato flakes; hummus [chickpea paste]; fruit peel; preserved garlic; lentils, preserved; potato crisps; low-fat potato crisps; fruit chips; non-alcoholic eggnog; seaweed extracts for food; meat extracts; escamoles being prepared edible ant larvae; yuba being tofu skin; berries, preserved; snail eggs for consumption; eggs; yakitori.

30 – Vanilla flavourings for culinary purposes; flavourings, other than essential oils, for cakes; flavourings, other than essential oils, for beverages; coffee flavourings; food flavourings, other than essential oils; star aniseed; baozi [steamed stuffed buns]; cereal bars; high-protein cereal bars; pancakes; noodle-based prepared meals; freeze-dried dishes with the main ingredient being pasta; freeze-dried dishes with the main ingredient being rice; buns; bulgur; bread rolls; edible rice paper; edible paper; burritos; vanillin [vanilla substitute]; vareniki [stuffed dumplings]; waff-

les; vermicelli; natural sweeteners; sausage binding materials; binding agents for ice cream; seawater for cooking; seaweed [condiment]; malt biscuits; cloves [spice]; mirror icing [mirror glaze]; cake frosting [icing]; glucose for culinary purposes; mustard; croûtons; buckwheat, processed; gluten additives for culinary purposes; yeast; thickening agents for cooking foodstuffs; leaven; rice-based snack food; cereal-based snack food; coffee substitutes; vegetal preparations for use as coffee substitutes; dressings for salad; zephyr being confectionery; fruit jellies [confectionery]; candy decorations for cakes; confectionery for decorating Christmas trees; cakes; pastries; peanut confectionery; almond confectionery; pasta; ginger [spice]; frozen yogurt [confectionery ices]; cocoa; cream of tartar for culinary purposes; capers; caramels [sweets]; curry [spice]; ketchup [sauce]; gimhap [Korean rice dish]; kimchijeon [fermented vegetable pancakes]; quinoa, processed; quiches; gluten prepared as foodstuff; flour-based dumplings; sweets; liquorice [confectionery]; peppermint sweets; mints for breath freshening; dulce de leche; cinnamon [spice]; coffee; unroasted coffee; starch for food; crackers; custard; hominy grits; semolina; oatmeal; crushed barley; groats for human food; ice cubes; corn, milled; corn, roasted; meat pies; turmeric; couscous [semolina]; noodles; soba noodles; udon noodles; ice for refreshment; ice, natural or artificial; edible ices; lollipops [confectionery]; rice cakes; potato-based flatbreads; mayonnaise; macaroons [pastries]; macaroni; maltose; hominy; piccalilli; marinades; marzipan; honey; miso; royal jelly; ice cream; bean meal; buckwheat flour; tapioca flour; potato flour; corn flour; nut flours; flour; wheat flour; soya flour; barley meal; confectionery in the form of mousses; chocolate mousses; muesli; mint for confectionery; cocoa beverages with milk; coffee beverages with milk; coffee-based beverages; cocoa-based beverages; chamomile-based beverages; tea-based beverages; chocolate beverages with milk; chocolate-based beverages; infusions, not medicinal; crushed oats; husked oats; okonomiyaki [Japanese savory pancakes]; onigiri; nutmegs; chocolate-coated nuts; stick liquorice [confectionery]; pastila [confectionery]; lozenges [confectionery]; molasses for food; pâtés en croûte; pelmeni [dumplings stuffed with meat]; pepper; allspice; peppers [seasonings]; pesto; biscuits; petit-beurre biscuits; bibimbap [rice mixed with vegetables and beef]; pies; pizzas; meat gravies; fondants [confectionery]; popcorn; powders for making ice cream; baking powder; mustard meal; pralines; aromatic preparations for food; condiments; meat tenderizers for household purposes; cereal preparations; oat-based food; propolis; gingerbread; spices; petits fours; rice pudding; puddings; cake powder; fruit coulis [sauces]; ravioli; ramen noodles; chewing gum for breath freshening; chewing gum; relish [condiment]; rice; instant rice; wheat germ for human consumption; spring rolls; sago; palm sugar; sugar; sesame seeds [seasonings]; linseed for culinary

purposes [seasoning]; processed seeds for use as a seasoning; aniseed; agave syrup [natural sweetener]; golden syrup; candy bars; batter mixes for okonomiyaki [Japanese savory pancakes]; baking soda [bicarbonate of soda for cooking purposes]; malt for human consumption; salt for preserving foodstuffs; cooking salt; celery salt; sorbets [ices]; ham glaze; cranberry sauce [condiment]; soya sauce; tomato sauce; apple sauce [condiment]; sauces [condiments]; pasta sauce; spaghetti; seasonings; chocolate-based spreads; chocolate spreads containing nuts; preparations for stiffening whipped cream; shaved ice with sweetened red beans; rusks; breadcrumbs; sushi; rice crackers; sandwiches; tabbouleh; tacos; tapioca; tarts; dough; pastry dough; almond paste; rice pulp for culinary purposes; cake batter; tortillas; garden herbs, preserved [seasonings]; chocolate decorations for cakes; vinegar; beer vinegar; ferments for pastes; halvah; unleavened bread; bread; chips [cereal products]; corn flakes; oat flakes; hot dog sandwiches; flowers or leaves for use as tea substitutes; jiaozi [stuffed dumplings]; chicory [coffee substitute]; tea; iced tea; chutneys [condiments]; minced garlic [condiment]; cheeseburgers [sandwiches]; chow-chow [condiment]; saffron [seasoning]; chocolate; malt extract for food; essences for foodstuffs, except etheric essences and essential oils; husked barley.

31 – Algarovilla for animal consumption; anchovy, live; oranges, fresh; peanuts, fresh; artichokes, fresh; draff; beans, fresh; locust beans, raw; wreaths of natural flowers; grapes, fresh; algae, unprocessed, for human or animal consumption; fruit residue [marc]; dog biscuits; sea-cucumbers, live; peas, fresh; buckwheat, unprocessed; mushroom spawn for propagation; mushrooms, fresh; trees; palm trees; turf, natural; unsawn timber; undressed timber; yeast for animal consumption; Christmas trees; edible chews for animals; live animals; menagerie animals; peanut cake for animals; oil cake; maize cake for cattle; rape cake for cattle; bagasses of cane [raw material]; cereal seeds, unprocessed; grains [cereals]; grains for animal consumption; lime for animal forage; fish spawn; vegetable marrows, fresh; cocoa beans, raw; koi carp, live; potatoes, fresh; chestnuts, fresh; quinoa, unprocessed; arrangements of fresh fruit; copra; raw barks; rough cork; animal foodstuffs; pet food; stall food for animals; bird food; strengthening animal forage; chicory roots; roots for animal consumption; nettles; groats for poultry; maize; edible sesame, unprocessed; shrubs; rose bushes; spiny lobsters, live; lemons, fresh; vine plants; salmon, live; onions, fresh; flower bulbs; leeks, fresh; olives, fresh; bran mash for animal consumption; mussels, live; almonds [fruits]; molluscs, live; peanut meal for animals; linseed meal for animal consumption; meal for animals; flax meal [fodder]; rice meal for forage; fish meal for animal consumption; straw mulch; beverages for pets; edible insects, live; oats; vegetables, fresh; cucumbers, fresh; lobsters, live; fresh and unprocessed nuts; coconuts;

kola nuts; bran; distillery waste for animal consumption; residue in a still after distillation; palms [leaves of the palm tree]; cuttle bone for birds; peppers [plants]; aromatic sand [litter] for pets; citrus fruit, fresh; litter for animals; mash for fattening livestock; unprocessed sweet corn ears [husked or unhusked]; animal fattening preparations; preparations for egg laying poultry; fishing bait, live; by-products of the processing of cereals, for animal consumption; seed germ for botanical purposes; poultry, live; wheat; pollen [raw material]; crayfish, live; crustaceans, live; seedlings; plants; aloe vera plants; plants, dried, for decoration; rhubarb, fresh; rice, unprocessed; rye; wheat germ for animal consumption; fish, live; lettuce, fresh; sardines, live; beet, fresh; herrings, live; seeds for planting; linseed for animal consumption; edible linseed, unprocessed; hay; coconut shell; bred stock; sanded paper [litter] for pets; malt for brewing and distilling; straw [forage]; straw litter; salt for cattle; trunks of trees; wood chips for the manufacture of wood pulp; litter peat; garden herbs, fresh; sugarcane; truffles, fresh; tuna, live; squashes, fresh; oysters, live; fruit, fresh; hazelnuts, fresh; fodder; hops; flowers, natural; flowers, dried, for decoration; chicory, fresh; silkworms; garlic, fresh; lentils, fresh; pine cones; hop cones; spinach, fresh; juniper berries; berries, fresh; eggs for hatching, fertilized; silkworm eggs; barley.

32 – Aperitifs, non-alcoholic; barley wine [beer]; lithia water; seltzer water; soda water; waters [beverages]; carbonated water; mineral water [beverages]; table waters; kvass; cocktails, non-alcoholic; beer-based cocktails; lemonades; non-alcoholic beverages; isotonic beverages; non-alcoholic honey-based beverages; rice-based beverages, other than milk substitutes; soya-based beverages, other than milk substitutes; aloe vera drinks, non-alcoholic; whey beverages; protein-enriched sports beverages; soft drinks; non-alcoholic beverages flavoured with coffee; non-alcoholic beverages flavoured with tea; non-alcoholic fruit juice beverages; energy drinks; fruit nectars, non-alcoholic; orgeat; beer; ginger beer; malt beer; powders for effervescing beverages; sarsaparilla [non-alcoholic beverage]; syrups for lemonade; syrups for beverages; smoothies; tomato juice [beverage]; cider, non-alcoholic; vegetable juices [beverages]; fruit juices; preparations for making non-alcoholic beverages; malt extracts for making liquors; preparations for making beverages; must; grape must, unfermented; beer wort; malt wort; pastilles for effervescing beverages; sherbets [beverages] infused with alcohol; non-alcoholic fruit extracts; extracts of hops for making beer.

33 – Aperitifs; arrack [arak]; baijiu [Chinese distilled alcoholic beverage]; brandy; wine; piquette; whisky; vodka; anisette [liqueur]; kirsch; gin; digestifs [liqueurs and spirits]; cocktails; curacao; anise [liqueur]; liqueurs; pre-mixed alcoholic beverages, other than beer-based; alcoholic beverages, except beer; alcho-

lic beverages containing fruit; spirits [beverages]; distilled beverages; hydromel [mead]; peppermint liquors; bitters; nira [sugarcane-based alcoholic beverage]; rum; sake; perry; cider; rice alcohol; alcoholic extracts; fruit extracts, alcoholic; alcoholic essences.

34 – Flavourings, other than essential oils, for use in electronic cigarettes; flavourings, other than essential oils, for tobacco; gas containers for cigar lighters; absorbent paper for tobacco pipes; cigarette paper; lighters for smokers; tobacco pouches; books of cigarette papers; humidors; matchboxes; firestones; cigar cutters; cigar holders; cigarette holders; mouthpieces for cigarette holders; tips of yellow amber for cigar and cigarette holders; ashtrays for smokers; spittoons for tobacco users; pipe racks for tobacco pipes; pipe cleaners for tobacco pipes; liquid solutions for use in electronic cigarettes; electronic cigarettes; cigarettes; cigarettes containing tobacco substitutes, not for medical purposes; cigarillos; cigars; tobacco jars; match holders; matches; oral vaporizers for smokers; tobacco; chewing tobacco; snuff; snuffboxes; herbs for smoking; tobacco pipes; pocket machines for rolling cigarettes; cigarette filters; cigarette tips; cigar cases; cigarette cases.

35 – Arranging subscriptions to telecommunication services for others; import-export agency services; commercial information agency services; advertising agency services; cost price analysis; rental of advertising space; business auditing; financial auditing; business intermediary services relating to the matching of potential private investors with entrepreneurs needing funding; employment agency services; computerized file management; book-keeping; invoicing; demonstration of goods; transcription of communications [office functions]; opinion polling; market studies; providing business information; providing commercial information and advice for consumers in the choice of products and services; business investigations; business research; marketing research; personnel recruitment; business management and organization consultancy; business organization consultancy; business management consultancy; personnel management consultancy; professional business consultancy; consultancy regarding public relations communication strategies; consultancy regarding advertising communication strategies; layout services for advertising purposes; marketing; marketing in the framework of software publishing; targeted marketing; business management of performing artists; business management of sports people; writing of curriculum vitae for others; scriptwriting for advertising purposes; news clipping services; updating and maintenance of information in registries; updating and maintenance of data in computer databases; updating of advertising material; word processing; online retail services for downloadable and pre-recorded music and movies; online retail services for downloadable ring tones; online retail services for downloadable digital music; organi-

zation of exhibitions for commercial or advertising purposes; arranging newspaper subscriptions for others; organization of fashion shows for promotional purposes; organization of trade fairs for commercial or advertising purposes; shop window dressing; business appraisals; payroll preparation; data search in computer files for others; sponsorship search; administrative assistance in responding to calls for tenders; business management assistance; commercial or industrial management assistance; commercial intermediation services; providing business information via a website; providing commercial and business contact information; provision of an online marketplace for buyers and sellers of goods and services; web indexing for commercial or advertising purposes; presentation of goods on communication media, for retail purposes; economic forecasting; auctioneering; retail services for works of art provided by art galleries; sales promotion for others; promotion of goods and services through sponsorship of sports events; production of teleshopping programmes; production of advertising films; office machines and equipment rental; rental of advertising time on communication media; publicity material rental; rental of billboards [advertising boards]; rental of vending machines; rental of sales stands; rental of photocopying machines; publication of publicity texts; radio advertising; billposting; distribution of samples; dissemination of advertising matter; direct mail advertising; registration of written communications and data; editing of publicity texts; advertising; online advertising on a computer network; outdoor advertising; advertising by mail order; television advertising; document reproduction; compilation of statistics; compilation of information into computer databases; business inquiries; systemization of information into computer databases; advisory services for business management; negotiation of business contracts for others; negotiation and conclusion of commercial transactions for third parties; compiling indexes of information for commercial or advertising purposes; tax preparation; drawing up of statements of accounts; telemarketing services; psychological testing for the selection of personnel; wholesale services for pharmaceutical, veterinary and sanitary preparations and medical supplies; retail services for pharmaceutical, veterinary and sanitary preparations and medical supplies; interim business management; outsourced administrative management for companies; business management of hotels; business management for freelance service providers; business project management services for construction projects; commercial administration of the licensing of the goods and services of others; business management of reimbursement programmes for others; administration of consumer loyalty programs; administration of frequent flyer programs; administrative processing of purchase orders; public relations; competitive intelligence services; modelling for advertising or sales promotion; typing; market intelligence services;

appointment reminder services [office functions]; website traffic optimization; administrative services for the relocation of businesses; tax filing services; search engine optimization for sales promotion; appointment scheduling services [office functions]; gift registry services; price comparison services; pay per click advertising; secretarial services; procurement services for others [purchasing goods and services for other businesses]; shorthand; outsourcing services [business assistance]; telephone answering for unavailable subscribers; photocopying services; business efficiency expert services.

40 – Paper finishing; applying finishes to textiles; upcycling [waste recycling]; vulcanization [material treatment]; skin dressing; fruit crushing; embroidering; galvanization; zinc plating; electroplating; engraving; decontamination of hazardous materials; air deodorizing; stripping finishes; tanning; metal tempering; freezing of foods; gilding; gold plating; providing information relating to material treatment; cadmium plating; permanent-press treatment of fabrics; food and drink preservation; food smoking; leather staining; fur dyeing; shoe staining; textile dyeing; cloth dyeing; laminating; lithographic printing; metal casting; fur glossing; tin plating; boilermaking; taxidermy; magnetization; nickel plating; abrasion; paper treating; water treating; woodworking; processing of cinematographic films; leather working; cloth edging; metal treating; fur conditioning; fur mothproofing; waste treatment [transformation]; textile mothproofing; cloth waterproofing; crease-resistant treatment for clothing; cloth fireproofing; textile treating; wool treating; framing of works of art; window tinting treatment being surface coating; air freshening; fabric bleaching; air purification; soldering; clothing alteration; recycling of waste and trash; processing of oil; pattern printing; photographic printing; offset printing; metal plating; printing; burnishing by abrasion; flour milling; dressmaking; rental of boilers; knitting machine rental; rental of electricity generators; rental of air-conditioning apparatus; rental of space heating apparatus; photographic film development; pottery firing; blacksmithing; custom assembly of products for others; bookbinding; welding services; glassblowing; saddlery working; grinding; cloth cutting; sawing of materials; refining services; timber felling and processing; fur satining; silver plating; incineration of waste and trash; laser scribing; warping [looms]; sorting of waste and recyclable material [transformation]; photo-composing services; quilting; planing of materials; fulling of cloth; tinting of car windows; slaughtering of animals; destruction of waste and trash; cloth pre-shrinking; services of a dental technician; cryopreservation services; key cutting; dyeing services; sand-blasting services; production of energy; custom tailoring; custom fashioning of fur; photogravure; mill-working; chromium plating; colour separation services; silkscreen printing; optical glass grinding.

41 – Modelling for artists; academies [education]; rental of indoor aquaria; rental of artwork; rental of sports grounds; rental of tennis courts; lending library services; booking of seats for shows; videotaping; physical education; production of music; discotheque services; animal training; dubbing; gambling services; publication of books; providing information in the field of education; providing information relating to recreational activities; providing information in the field of entertainment; movie studio services; health club services [health and fitness training]; nightclub services [entertainment]; layout services, other than for advertising purposes; microfilming; videotape editing; production of radio and television programmes; screenplay writing; game services provided online from a computer network; providing online electronic publications, not downloadable; religious education; aikido instruction; gymnastic instruction; correspondence courses; practical training [demonstration]; training services provided via simulators; organization of balls; organization of exhibitions for cultural and educational purposes; providing recreation facilities; arranging and conducting of colloquiums; arranging and conducting of congresses; arranging and conducting of conferences; arranging and conducting of concerts; arranging and conducting of workshops [training]; arranging and conducting of in-person educational forums; arranging and conducting of seminars; arranging and conducting of symposiums; organization of competitions [education or entertainment]; arranging of beauty contests; organization of cosplay entertainment events; organization of lotteries; organization of fashion shows for entertainment purposes; organization of shows [impresario services]; organization of sports competitions; vocational guidance [education or training advice]; amusement park services; sign language interpretation; television entertainment; mobile library services; vocational retraining; providing online videos, not downloadable; providing online music, not downloadable; providing television programmes, not downloadable, via video-on-demand services; providing films, not downloadable, via video-on-demand services; providing golf facilities; providing sports facilities; providing amusement arcade services; cinema presentations; presentation of circus performances; presentation of variety shows; presentation of live performances; theatre productions; conducting guided climbing tours; conducting fitness classes; educational examination; film production, other than advertising films; rental of audio equipment; rental of video cameras; rental of video cassette recorders; rental of videotapes; rental of show scenery; rental of sound recordings; toy rental; rental of cinematographic apparatus; rental of motion pictures; games equipment rental; rental of stadium facilities; rental of lighting apparatus for theatrical sets or television studios; rental of radio and television sets; rental of skin diving equipment; rental of sports equipment, except vehicles; rental of stage scenery; elec-



tronic desktop publishing; online publication of electronic books and journals; publication of texts, other than publicity texts; radio entertainment; entertainer services; entertainment services; writing of texts; sado instruction [tea ceremony instruction]; zoological garden services; news reporters services; party planning [entertainment]; music composition services; subtitling; tutoring; holiday camp services [entertainment]; conducting guided tours; disc jockey services; personal trainer services [fitness training]; providing casino facilities [gambling]; calligraphy services; karaoke services; club services; songwriting; cultural, educational or entertainment services provided by art galleries; providing museum facilities; teaching; educational services provided by schools; orchestra services; translation; scriptwriting, other than for advertising purposes; ticket agency services [entertainment]; coaching [training]; sport camp services; recording studio services; language interpretation; nursery schools; photography; photographic reporting; timing of sports events; boarding school education; production of shows.

43 – Accommodation bureau services [hotels, boarding houses]; rental of temporary accommodation; rental of meeting rooms; tourist home services; hotel reservations; boarding house bookings; temporary accommodation reservations; hotel accommodation services; retirement home services; snack-bar services; café services; cafeteria services; motel services; boarding house services; boarding for animals; rental of cooking apparatus; rental of chairs, tables, table linen, glassware; rental of lighting apparatus; rental of tents; rental of transportable buildings; rental of drinking water dispensers; restaurant services; self-service restaurant services; reception services for temporary accommodation [management of arrivals and departures]; food sculpting; canteen services; holiday camp services [lodging]; bar services; providing campground facilities; food and drink catering; washoku restaurant services; udon and soba restaurant services; day-nursery [crèche] services.

(260) AM 2024 123389 A

(800) 1735193

(151) 2022 12 21

(891) 2022 12 21

(731) Euro Games Technology Ltd.

4, "Maritsa" Str., "Vranya-Lozen-Triugulnika",  
BG-1151 Sofia, Bulgaria

(540)

## **FIRE WIN**

(591) Black, white

(511)

9 – Operating computer software for main frame computers; monitors (computer hardware); computer hardware; apparatus for recording images; monitors (computer programs); computer game programs; compu-

ter programs for recorded games; apparatus for recording, transmission or reproduction of sound or images; communications servers (computer hardware); electronic components for gambling machines; computer application software featuring games and gaming; computer software for the administration of on-line games and gaming; computer hardware for games and gaming; computer hardware and software for gambling, gambling machines, gambling games on the Internet and via telecommunication network; computer systems; computer operating system software; computer terminals; interactive terminals; multimedia terminals; electronic terminals for generating lottery tickets; interactive touch screen terminals; computer touchscreens; electronic display panels; liquid crystal display screens; digital signage display panels; multimedia software; multimedia apparatus and instruments; interactive multimedia software for playing games; computer screens; LCD large-screen displays; liquid crystal displays [LCDs] for home theatres; media streaming software; computer application software for streaming audio-visual media content via the Internet; software; computer gaming software; computer software packages; computer operating system software; computer software, recorded; software drivers; virtual reality software; games software, entertainment software for computer games; computer programs for network management; electronic lottery tickets; computer software platforms; operating systems; interactive computer systems; operating system programs; computer game software for use with on-line interactive games; games software for use with video game consoles; electronic game software provided via a global computer network or delivered via electronic multimedia broadcasting or by telecommunications or electronic transmission or via the Internet; all the aforesaid goods in class 9 for use in the field of gambling; computer games provided through a global computer network or supplied by means of multimedia electronic broadcast or through telecommunications or electronic transmission or via the internet.

28 – Gaming machines for gambling; chips for gambling; mah-jong; arcade games; gambling machines operating with coins, notes and cards; games; electronic games; parlor games; gaming chips; gaming tables; slot machines [gaming machines]; LCD game machines; slot machines and gaming devices; coin-operated amusement machines; roulette chips; poker chips; chips and dice [gaming equipment]; gaming equipment for casinos; roulette tables; gaming roulette wheels; casino games; gambling machines and amusement machines, automatic and coin-operated; coin-operated amusement machines and/or electronic coin-operated amusement machines with or without the possibility of gain; boxes for coin-operated amusement machines, slot machines and gaming machines; electronic or electrotechnical amusement machines and apparatus, gaming machines, coin-operated entertainment machines; housings for coin-operated amuse-

ment machines, gaming equipment, gaming machines, machines for gambling; electropneumatic and electrical gambling machines (slot machines); lottery games; electronic targets for games and sports; video game consoles; all the aforesaid goods in class 28 for use in the field of gambling.

41 – Gambling; entertainment services related to gambling; gaming services for entertainment purposes; casino, gaming and gambling services; training in the development of software systems; provision of gaming equipment for gambling halls; providing casino equipment [gambling]; gaming machine entertainment services; providing casino facilities [gambling]; amusement arcade services; amusement arcades; games equipment rental; rental of gaming machines; providing amusement arcade services; rental of gaming machines with images of fruits; editing or recording of sounds and images; sound recording and video entertainment services; hire of sound reproducing apparatus; provision of gaming equipment for casinos; providing of casino facilities; online gambling services; casino management services; provision of gaming facilities, gaming hall facilities, Internet casinos and online gambling services; lottery services; organization of lotteries; provision of games by means of a computer based system; online interactive entertainment; on-line casino services; online game services through mobile devices; providing online entertainment in the nature of game tournaments; providing on-line information in the field of computer gaming entertainment; sports betting services; online sports betting services; providing on-line computer games and games of chance by means of non-downloadable game software (term considered too vague by the International Bureau – Rule 13 (2) (b) of the Regulations); rental of video game consoles; electronic game services provided via a global computer network or delivered via electronic multimedia broadcasting or via telecommunications or electronic transmission or via the Internet; all the aforesaid services in class 41 for use in the field of gambling.

(260) AM 2024 123390 A

(800) 1735212

(151) 2023 04 03

(891) 2023 04 03

(731) UNIQUE BIOTECH LTD.

Plot No. 2, Phase- ii, M.M.Park, Koltur Village,  
Shameerpet Mandal, Medchal Malkajgiri Dist.,  
Hyderabad, Telangana 500101, India

(540)

**Bacillus clausii UBBC-07**

(591) Black, white

(531) 27.05.08

(511)

1 – Bacterial preparations for the food industry; probiotic bacteria for the food industry; probiotic bac-

terial cultures for the food industry; chemical additives for use in the manufacture of food; chemical additives for use in the manufacture of food products; antioxidants for use in the manufacture of food supplements.

(260) AM 2024 123391 A

(800) 1735227

(151) 2023 01 11

(891) 2023 01 11

(731) ETAS GmbH

Borsigstrasse 24, 70469 Stuttgart, Germany

(540)

**eTAS**

(591) Black, white

(511)

9 – Electronic data processing equipment and computers, in particular data input and output apparatus, add-on cards for data processing equipment, storages, input and output interface apparatus and programs, data carriers, programmes recorded on data carriers, data processing programs, programs being tools for facilitating software production and configuring hardware systems, modelling tools for modelling functions on computers.

42 – Hardware and software development services; counselling, in the following fields: software use, computer programming (term considered too vague by the International Bureau – Rule 13 (2) (b) of the Regulations); cloud services (SaaS), relating to the following sectors: connection of vehicles to the cloud, management of cloud-based functional software and vehicle data; counselling and technical services, relating to the following sectors: realisation of integrated software development and IT operations solutions (term considered too vague by the International Bureau – Rule 13 (2) (b) of the Regulations); cybersecurity services for the automobile industry, covering the whole software development and IT operations solutions cycle, embedded systems (including hardware security modules and automotive firewalls) up to the cloud (including key management solutions) (term considered too vague by the International Bureau – Rule 13 (2) (b) of the Regulations).

(260) AM 2024 123392 A

(800) 1735242

(151) 2023 03 21

(891) 2023 03 21

(731) PINNACLE TRADE VENTURES PTE. LTD.

1 KIM SENG PROMENADE, #11-01  
GREAT WORLD CITY, SINGAPORE  
237994, Singapore

(540)

**RIDEGEARS**

(591) Black, white  
 (531) 01.01.03; 01.01.10; 15.07.09; 27.05.01;  
 27.05.08; 27.05.09

(511)  
 12 – Saddles for cycles; saddles for bicycles; saddles for motorcycles; direction indicator signals for land vehicles; alarms for vehicles; automobile chains; automobile wheels; automobile windshield wipers; axle assemblies for vehicles; axles for vehicles; body parts for vehicles; structural vehicle parts adapted to hold lamps; brake components for vehicles; brake shoes for vehicles; brake systems for vehicles; brakes for vehicles; bumpers for automobiles; carriers for use on vehicles; chain deflectors for vehicles; chain guards for vehicles; transmission chains for land vehicles; chainwheels for land vehicles; clutches for land vehicles; coil springs for vehicle suspensions; combined spring and shock absorber units for vehicles; components for brakes for vehicles; components for the outer bodies of vehicles; connecting rods for land vehicles, other than parts of motors and engines; transmission belts for land vehicles; gear changing mechanisms for land vehicles; hoods for vehicles; horns for vehicles; inner tubes for tyres; kickstands for motorcycles; linings for vehicles; motor vehicle bodies; motor vehicle horns; mud flaps for vehicles; protective strips for vehicle bodies; rims for vehicle wheels; shock absorbers for vehicles; soft tops for motor vehicles; spoke wheels for vehicles; sprockets for land vehicles; suspensions for vehicles; tires for vehicle wheels; tubes for vehicle wheels; twist grips for motorcycles; vehicle hoods; vehicle mirrors; wheel brakes; wheel cylinders for vehicles; wheel spacers for land vehicles; wheels for vehicles; wind deflectors for vehicles; windscreen wipers; automobile tires; bag carriers for bicycles; axle bearings for land vehicles; wheel bearings for land vehicles; plain thrust bearings for vehicles; transmission bearings for land vehicles; rearview mirrors for vehicles; windscreen wipers [for automobiles]; direction indicators for vehicles; power transmission belts for land vehicles; power transmission couplings for land vehicles; saddle covers for bicycles; direction signals for vehicles; transmissions for land vehicles; valves for vehicle tires; saddle covers for motorcycles.

(260) AM 2024 123397 A  
 (800) 1735382  
 (151) 2023 05 12  
 (891) 2023 05 12  
 (731) ONPASSIVE TECHNOLOGIES L.L.C  
 Office No. 13401, Owned by Emaar  
 Development, Burj Khalifa, Bur Dubai,  
 Dubai, United Arab Emirates  
 (540)



(591) PANTONE 7686 C, PANTONE 660 C,  
 PANTONE 7688 C, PANTONE 1805 C,  
 PANTONE Warm Red C, PANTONE 7738 C,  
 PANTONE 360 C, PANTONE 718 C,  
 PANTONE 1495 C, PANTONE 1245 C,  
 PANTONE 1225 C, PANTONE Yellow C.

(531) 02.01.23; 04.05.01; 04.05.02; 04.05.03;  
 15.09.18; 26.04.09; 26.13.25; 27.03.01;  
 27.03.02; 27.05.01; 29.01.15

(511)  
 35 – Advertising/propaganda; marketing; online advertising on a computer network; providing an online marketplace for buyers and sellers of goods and services; target marketing.

42 – Artificial intelligence consulting; computer security consulting; computer software consulting; computer software design; computer system analysis; computer system design; computer technology consulting; computer virus protection services; computer software rental; computational graphic design for projection video mapping; computer programming services for data processing; provision of virtual computer systems through cloud computing; consulting in the design and development of computers; consultancy in the field of energy saving; create and design indexes of information based on other [IT services] web sites; create and maintain websites for others; development of computer platforms; video and computer game development; engineering services; hosting of computer websites; industrial design; information technology consulting; it services provided on an outsourced basis; provide information related to computer technology and programming via a website; install computer software; logo design services; platforms as a service [PaaS]; rental of data center facilities; research in the field of environmental protection; research in the field of artificial intelligence technology; research; software as a service [SaaS]; software development within the framework of software publishing; software engineering services for data processing; website design consultancy.

(260) AM 2024 123398 A  
 (800) 1735427  
 (151) 2023 03 03  
 (891) 2023 03 03  
 (731) Sergey Melikov  
 Adana street 36, Yerevan, Armenia  
 (540)



(591) Black, blue and beige  
 (531) 27.05.01; 29.01.12

(511)

33 – Peppermint liqueurs; alcoholic fruit extracts, bitters; anise [liqueur]; anisette [liqueur]; aperitifs; arack [arak]; distilled beverages; cider; curacao; digestifs [liqueurs and spirits]; wine; gin; liqueurs; hydromel [mead]; kirsch; spirits [beverages]; brandy; piquette; perry; sake; whisky; alcoholic beverages, except beer; alcoholic beverages containing fruit; rice alcohol; rum; vodka; pre-mixed alcoholic beverages, other than beer-based; sugarcane-based alcoholic beverages; grain-based distilled alcoholic beverages; wine-based beverages.

(260) AM 2024 123399 A

(800) 1014376

(151) 2009 04 23

(891) 2023 05 17

(731) IFM Fashion Marks DMCC

Unit No: 3996, DMCC Business Centre, Level No 1, Jewellery & Gemplex 3, Dubai, United Arab Emirates

(540)

***Sublime***

(591) Black, white

(531) 27.05.17

(511)

14 – Precious metals and their alloys and goods in precious metals or coated therewith, not included in other classes; jewellery, precious stones; horological and chronometric instruments.

35 – Import-export agencies, commercial information agencies; advertising agencies, cost price analysis, rental of advertising space, demonstrations of goods, opinion polling, marketing studies, business information, commercial information and advice for consumers (consumer advice shop), business investigations, marketing research, business management and organization consultancy, layout services for advertising purposes, news clipping services, updating of advertising material, organization of exhibitions for commercial or advertising purposes, organization of trade fairs for commercial or advertising purposes, shop window dressing, presentation of goods on communication media, for retail purposes, economic forecasting, auctioneering, sales promotion for others, rental of advertising time on communication media, publicity material rental, publication of publicity texts, radio advertising, bill-posting, distribution of samples, dissemination of advertising matter, writing of publicity texts, advertising, online advertising on a computer network, advertising by mail order, television advertising, publicity columns preparations, commercial administration of the licensing of the goods and services of others, administrative processing of purchase orders, price comparison services, procurement services for others (purchasing goods and services for

others), retail sale services including online retail services on a computer network.

(260) AM 2024 123432 A

(800) 1735661

(151) 2023 05 18

(891) 2023 05 18

(731) PCS Software, Inc.

2103 CityWest Blvd., Building 700, Houston TX 77042, USA

(540)

## FREIGHTNET

(591) Black, white

(511)

9 – Downloadable computer software for transportation, freight and fleet management, namely trucking and intermodal freight services, including booking, brokering, dispatching, freight quotes, route scheduling, mileage calculation, fuel costs, expenses, fees, commissions and payroll.

(260) AM 2024 123433 A

(800) 1735669

(151) 2023 04 06

(891) 2023 04 06

(731) LORO PIANA S.p.A.

Corso Rolandi, 10, I-13017 Quarona (VC), Italy

(540)

## CASHDENIM

(591) Black, white

(511)

25 – Clothing for men, women, and children; pyjamas; lounging robes; nighties; layettes [clothing]; dressing gowns; underpants; towelling robes; bathing trunks; bathing suits; sweaters; waistcoats; knitwear (clothing); shirts; short-sleeve shirts; ready-made clothing; underwear; slippers [underclothing]; tee-shirts; trousers; trousers shorts; Bermuda shorts; jackets [clothing]; dresses; clothing for men and women; tailleurs; uniforms; mantles; coats; blousons; waterproof clothing; overcoats; parkas; pea coats; skirts; boots; half-boots; men's, women's and children's shoes; beach shoes; casual shoes; sandals; bath sandals; slippers; hats; berets; bonnets; gloves [clothing]; scarves; stoles; neckties; waist belts; money belts (clothing); foulards [clothing articles]; beach wraps; shawls; stockings; socks; tights; clothing of leather and of imitations of leather; fur stoles; fur coats; weather resistant outer clothing; rainwear; clothing for skiing; sportswear; raincoats; riding shoes; golf footwear; rain shoes; waterproof shoes; ladies' boots; waterproof boots; rain boots; deck shoes; ski gloves.

(260) AM 2024 123438 A

(800) 1735917

(151) 2022 11 18

(891) 2022 11 18

(731) Niterra Co., Ltd.

1-1-1, Higashisakura, Higashi-ku, Nagoya-shi,  
Japan

(540)

## Niterra

(591) Black, white

(511)

7 – Metalworking machines and tools and their parts and fittings; cutting tools for machinery; dies for use with machine tools; metalworking machines and tools for friction stir welding of metals; metalworking machines and tools, namely, impact wrenches, electric ratchet wrenches, wrenches (powerdriven), electric screwdrivers, electrical drills, drilling bits [parts of machines], reamers [parts of machines], grinding tools [parts of machines], hammers [parts of machines], jigsaws [machines], electric sanders; cutting tools for metalworking, other than hand-operated; ceramic cutting tools and dies for metalworking, other than hand-operated; cemented carbide cutting tools other than hand-operated; cermet cutting tools other than hand-operated; diamond-pointed metal-cutting tools other than hand-operated; thread milling cutters (machine tools); milling cutters (machine tools); cemented carbide tips for use with machine tools; wear-resistant metal-cutting tools other than hand-operated; moulds and dies for metalforming (parts of machines); non-electric prime movers, not for land vehicles; parts of non-electric prime movers; parts of engines, namely, engine gaskets, DPF gasket kits, cylinder head gaskets, sealing joints, injectors, air filters, turbocargers, power steering pumps, oil pumps, water pumps, urea SCR filters, urea water filters, DPF (diesel particulate filters), pistons, cylinder liners, valve rocker arms and shafts, fuel pumps, carburetors, diesel fuel injection systems (mechanical), diesel fuel injection systems (electronic), diesel fuel injection nozzles, fuel filters, air cleaners; parts of engines, namely, oil pump filters, oil coolers, fans and fan clutches, exhaust manifold converters, mufflers; parts of engines, namely, throttle bodies, timing belts, fan belts, belt tensioners, clutches, pressure switches being parts of machines; motors, other than for land vehicles; fan belts for motors and engines; transmissions for machines; mechanical engine parts for land vehicles; igniting devices for internal combustion engines; ignition apparatus and their accessories being parts of internal combustion engines of all kinds, namely spark plugs, glow plugs, spark plug caps, spark plug cables and spark plug ignition coils; chemical processing machines and apparatus; machines for generating gas by electrolysis; industrial machines for hardening molded products of lime material by applying carbon dioxide; electromechanical machines for chemical industry; tile making machines; pottery manufacturing machi-

nes and apparatus; potters' wheels; high-voltage generators; electricity generators; fuel dispensing machines for service stations; fuel dispensing pumps for service stations; fuel dispensing machines for hydrogen stations; fuel dispensing pumps for hydrogen stations; hydrogen station equipment for fuel cell vehicles; valves (parts of engines); valves (parts of engines), namely, EGR valves, ISC valves, proportional relay valves, ABS modulator valves for industrial machinery, thermostatic control valves; industrial fishing machines; machines and equipment for the aquaculture industry; machines and equipment for the aquaculture industry, namely, tanks being parts of machines, water pumps and auto-feeders; chemical vapor deposition reaction machines for processing semiconductor wafers; chemical vapor deposition reaction machines for manufacturing liquid crystals; physical vapor deposition reaction machines for processing semiconductor wafers; physical vapor deposition reaction machines for manufacturing liquid crystals; plasma etching processing machines for processing semiconductor wafers; plasma etching processing machines for manufacturing liquid crystals; ion implanting machines for processing semiconductor wafers; ion implanting machines for manufacturing liquid crystals; semiconductor wafer processing machines and parts therefor; semiconductor manufacturing machines and systems; parts and fittings of semiconductor manufacturing machines and systems; machines for manufacturing liquid crystal display devices; machine elements not for land vehicles; pneumatic or hydraulic machines and instruments; generators with cogeneration function; alternators; direct current generators; ignition coils [parts of engines]; starters for motors and engines, and their parts and fittings; feed water heaters for nonelectric prime movers and engines with fuel cells; feed water heaters for non-electric prime movers and engines used for cogeneration systems; feed water heaters for non-electric prime movers and engines; machines for generating gas by electrolysis for hydrogen stations for fuel-cell (hybrid) vehicles; electric motors for automobile windshield wipers; fuel pressure regulators for internal combustion engines.

9 – Telecommunication machines and apparatus, and their parts for measuring, testing, monitoring and detecting water quality; telecommunication machines and apparatus, and their parts for analyzing and visualizing data of water-quality for use with monitoring devices and water-quality monitors; telecommunication machines and apparatus, and their parts for collecting and utilizing data of automobiles; telecommunication machines and apparatus, and their parts for use in the field of fuel cells and other batteries; telecommunication machines and apparatus, and their parts for measuring, monitoring, managing and evaluating condition of batteries; telecommunication machines and apparatus, and their parts for conducting, controlling and regulating the distribution of electricity; telecommunication machines and apparatus, and

their parts for trading greenhouse gas emission rights or credits; telecommunication machines and apparatus, and their parts for measurement, analysis and management of greenhouse gas emission; telecommunication machines and apparatus, and their parts for controlling and managing measuring and testing machines and instruments; electron tubes; semi-conductor devices; electronic circuits; computer programs, recorded; computer programs, downloadable; downloadable image and video files; downloadable audio and sound files; electronic publications, downloadable; personal digital assistants; laboratory apparatus and instruments; power distribution or control machines and apparatus; apparatus and instruments for conducting, controlling and regulating the distribution of electricity; high voltage power supplies for ignition using dry battery or household power source; high voltage power supplies for piezoelectric gas ignition; igniting apparatus, electric, for igniting at a distance; rotary converters; phase modifiers; electric or magnetic meters and testers; conductors, electric; cables, electric; eyewear; computer hardware; computer peripherals; electronic components; piezoelectric elements (electronic components); semiconductor elements; integrated circuits; integrated circuit packages; substrates being wafers for integrated circuits; computer hardware for measuring, testing, monitoring and detecting water quality; computer hardware for analyzing and visualizing data of water-quality for use with monitoring devices and water-quality monitors; computer hardware for collecting and utilizing data of automobiles; computer hardware for use in the field of fuel cells and other batteries; computer hardware for measuring, monitoring, managing and evaluating condition of batteries; computer hardware for conducting, controlling and regulating the distribution of electricity; computer hardware for trading greenhouse gas emission rights or credits; computer hardware for measurement, analysis and management of greenhouse gas emission; computer hardware for controlling and managing measuring and testing machines and instruments; buzzers, electric; fire alarms; gas leak alarms; burglar alarms; magnetic cores; resistance wires; electrodes, other than welding electrodes or medical electrodes; fuel cell electrodes; calculating machines; ultrasonic wave oscillators; ozonisers [ozonators]; measuring or testing machines and instruments; measuring apparatus and instruments; sensors, detectors and monitoring instruments; piezoelectric sensors; thermal sensors; optical sensors; gas sensors; pressure sensors; acceleration sensors; velocity sensors; distance sensors; water quality sensors; apparatus for measuring concentration of fuel vapor, oxygen, nitrogen, oxide, hydrocarbon, methane, alcohol and hydrogen in air or gas; apparatus for measuring concentration of fuel vapor, oxygen, nitrogen oxide, hydrocarbon, methane, alcohol and hydrogen, and controlling air/fuel ratio in the exhaust gas from internal combustion engines, boilers, incinerators, gas turbi-

nes, generators and fuel cells; knock sensors; temperature sensors; outdoor air sensors for measuring air quality; load sensors; hydrogen leak detection sensors; urea sensors; speed sensors; sensors for measuring the position of liquid; position sensors; sensors for measuring flow rate of gas, air and liquid; gear position sensors of transmission; anti-theft infrared sensors; liquid detection sensors; impact detection sensors; illuminance sensors; sensors for measuring air inhalation speed; parking aid sensors; electromagnetic sensors; ultrasonic sensors; sensors [measurement apparatus], other than for medical use; vibration sensors; motion sensors; infrared sensors; photoelectric sensors; machines for analyzing failure of semiconductor; parts for ceramic semiconductor; ceramic wiring board; electronic sensors; electronic decoders; electronic meters; electronic control systems; electronic control units; electronic surveillance apparatus; electronic control apparatus; electronic semiconductors; process controlling apparatus [electronic]; testing apparatus for electronic equipment; electrodes; electrical cells and batteries, and their parts and fittings; galvanic cells; battery cases; solar batteries, and their parts and fittings; solar panels for the production of electricity; chargers for electric accumulators, and their parts and fittings; battery charging equipment; battery cases equipped with measuring equipment and communication equipment for measuring, monitoring and managing condition of batteries; battery chargers utilizing solar power generation panels equipped with measuring equipment and communication equipment for measuring, monitoring and managing condition of batteries; apparatus for measuring heat production by household fuel-cells by monitoring flow volume of heating medium in-and-out temperature differences; calorimeters; fuel cells using metal anodes or alkaline fluid electrolytes; polymer electrolyte fuel cells; computers for remote monitoring of fuel battery generators using communication networks; fuel cells; electrochemical power generating apparatus, namely fuel-cells stacks, fuel cells, and control devices for fuel cells, and structural parts of fuel cells with heat insulating function; fuel cell for electricity generation; hydrogen fuel cells for electric vehicles; light-emitting diodes [LED]; parts and fittings for light diodes; fuel battery cells; fuel cell stacks; fuel cell modules; electric wires, cables, and connectors for land and water vehicles, and their accessories; sensors for vehicles; automotive and other vehicular sensors, namely, position sensors, temperature sensors, pressure sensors, speed sensors, vacuum sensors, oxygen sensors, fluid level sensors, knock sensors and mass air flow sensors; battery clips and battery leads; starting and charging system components, namely, electric starting cables, electrical wires, voltage regulators, and voltage stabilizers; electrical switches; pressure switches; ignition parts for internal combustion engines in the nature of capacitors, control module, namely, electronic controls for gasoline engines for land vehicles and

voltage regulators and reducers; solenoid valves [electromagnetic switches]; electronically controlled air suspension (ECAS) solenoid valves; variable valve timing (VVT) solenoids; safety helmets; oxygen breathing apparatus, other than for artificial respiration; electric relays.

(260) AM 2024 123439 A

(800) 1735950

(151) 2023 02 23

(891) 2023 02 23

(731) PaySend Group Limited

Suite 2, Ground Floor, Orchard Brae House,  
30 Queensferry Road, Edinburgh, Scotland  
EH4 2HS, United Kingdom

(540)

## PAYSEND LIBRE

(591) Black, white

(511)

9 – Payment terminals, namely, automatic self-service payment terminals and electronic point-of-sale terminals; automatic teller machines; remote control apparatus for payment terminals network, vending machines and automatic teller machines; identity cards, magnetic; encoded magnetic cards for use in financial transactions; computer operating programs for payment terminals network, vending machines, automatic teller machines; computer operating software for payment terminals network, vending machines, automatic teller machines; computer programs, recorded for payment processing; magnetic data media, namely, pre-recorded disks featuring computer operating software; electronic chips for the manufacture of integrated circuits; computer software applications, downloadable for payment processing.

36 – Insurance brokerage consultancy and information; financial affairs, namely, alternative banking services in the nature of online banking and online bill payment and money transfer services; monetary affairs, namely, alternative banking services in the nature of online banking and online bill payment and money transfer services; real estate affairs, namely, real estate brokerage, consultancy, and investment; issuance of travellers' checks; issuance of credit cards; issuance of tokens of value; debit card services, namely, debit card transaction processing services; credit card services, namely, credit card transaction processing services; online banking; banking.

(260) AM 2024 123440 A

(800) 1736007

(151) 2023 05 02

(891) 2023 05 02

(731) Joint Stock Company "Elis Fashion Rus"

20th line street, 4, RU-344019 Rostov-on-Don, Russian Federation

(540)

## 20 LINE

(591) Black, white

(511)

14 – Amulets [jewellery, jewelry (am.)]; bracelets [jewellery, jewelry (am.)]; watch bands; charms [jewellery, jewelry (am.)]; key rings [trinkets or fobs]; brooches [jewellery, jewelry (am.)]; pins [jewellery, jewelry (am.)]; ornamental pins; tie pins; pearls made of ambroid [pressed amber]; pearls [jewellery, jewelry (am.)]; tie clips; cuff links; badges of precious metal; jewelry; semi-precious stones; necklaces [jewellery, jewelry (am.)]; rings [jewellery, jewelry (am.)]; lockets [jewellery, jewelry (am.)]; earrings; ornaments [jewellery, jewelry (am.)]; shoe ornaments of precious metal; hat ornaments of precious metal; cases for watches [presentation]; chronographs [watches]; chains [jewellery, jewelry (am.)]; watches; clocks and watches, electric; clocks; wristwatches; jewelry cases [caskets].

18 – Pocket wallets; card cases [notecases]; umbrellas; parasols; purses; leather straps; backpacks; travelling bags; garment bags for travel; handbags; beach bags; bags for sports; bags for campers; wheeled shopping bags; key cases; valises; attaché cases.

25 – Bandanas [neckerchiefs]; underwear; sweat-absorbent underwear; smocks; boas [necklets]; teddies [undergarments]; boots; breeches for wear; trousers; brassieres; veils [clothing]; neckties; ascots; vests; sports jerseys; hosiery; tights; combinations [clothing]; suits; swimsuits; beach clothes; jackets [clothing]; camisoles; cuffs; coats; furs [clothing]; muffs [clothing]; fur stoles; ear muffs [clothing]; socks; beach shoes; sports shoes; footwear; outerclothing; ready-made clothing; clothing of imitations of leather; clothing of leather; clothing; topcoats; gloves [clothing]; pyjamas; bathing trunks; scarfs; dresses; headbands [clothing]; garters; lace boots; belts [clothing]; money belts [clothing]; sweaters; shirts; wooden shoes; sandals; togas; knitwear [clothing]; underpants; shoes; headgear for wear; tee-shirts; dressing gowns; stockings; sweat-absorbent stockings; shawls; pelisses; skirts; petticoats.

35 – Shop window dressing; promoting the goods of others; distribution of samples; procurement services for others [purchasing goods and services for other businesses]; outsourcing services [business assistance].

(260) AM 2024 123447 A

(800) 1736273

(151) 2023 03 24

(891) 2023 03 24

(731) FRİGOBLOCK SOĞUTMA SİSTEMLERİ,  
SANAYİ VE TİCARET ANONİM ŞİRKETİ  
Orhan Gazi Mah. 15. Yol Sokak No:37,  
Esenyurt; İstanbul, Türkiye

(540)



(591) Blue, red

(531) 01.15.17; 27.05.07; 27.05.17; 29.01.12

(511)

35 – Advertising, marketing and public relations; organization of exhibitions and trade fairs for commercial or advertising purposes; development of advertising concepts; provision of an online marketplace for buyers and sellers of goods and services; office functions; secretarial services; arranging newspaper subscriptions for others; compilation of statistics; rental of office machines; systemization of information into computer databases; telephone answering for unavailable subscribers; business management, business administration and business consultancy; accounting; commercial consultancy services; personnel recruitment, personnel placement, employment agencies, import-export agencies; temporary personnel placement services; auctioneering; the bringing together, for the benefit of others, of a variety of goods, namely, lighting installations, lights for vehicles and interior-exterior spaces, heating installations using solid, liquid or gas fuels or electricity, central heating boilers, boilers for heating installations, radiators [heating], heat exchangers, not parts of machines, stoves, kitchen stoves, solar thermal collectors [heating], steam, gas and fog generators, steam boilers, other than parts of machines, acetylene generators, oxygen generators, nitrogen generators, installations for air-conditioning and ventilating, cooling installations and freezers, electric and gas-powered devices, installations and apparatus for cooking, drying and boiling, cookers, electric cooking pots, electric water heaters, barbecues, electric laundry driers, hair driers, hand drying apparatus, sanitary installations, taps [faucets], shower installations, toilets [water-closets], shower and bathing cubicles, bath tubs, toilet seats, sinks, wash-hand basins [parts of sanitary installations], washers for water taps, stuffings (tap valves), water softening apparatus, water purification apparatus, water purification installations, waste water purification installations, electric bed warmers and electric blankets not for medical use, electric pillow warmers, electric or non-electric foot-warmers, hot water bottles, electrically heated socks, filters for aquariums and aquarium filtration apparatus, industrial type installations for cooking, drying and cooling purposes, pasteurizers and sterilizers enabling customers to conveniently view and purchase those goods, such services may be provided by retail stores, wholesale outlets, by means of electronic media or through mail order catalogues.

(260) AM 2024 123449 A

(800) 1736538

(151) 2023 05 18

(891) 2023 05 18

(731) IFM Fashion Marks DMCC

Unit No: 3996, DMCC Business Centre, Level No 1, Jewellery & Gemplex 3, Dubai, United Arab Emirates

(540)

## PLEASURE IN DETAILS

(591) Black, white

(511)

35 – Advertising; business management, organization and administration; office functions; marketing and promotion services; retail services and online retail services of cosmetics, perfumery, smartwatches, mobile phones, glasses, sunglasses, eyewear, precious metals and their alloys, jewelry, precious and semi-precious stones, horological and chronometric instruments, leather and imitations of leather, luggage and carrying bags, handbags, small leather goods, key holders, purses, sporting bags, umbrellas, household or kitchen utensils and containers, glassware, porcelain and earthenware, clothing, footwear, headwear, games, toys and playthings, video game apparatus, gymnastic and sporting articles; retail and online retail services relating food, wine, beverages, beer; import-export agencies, commercial information agencies; advertising agencies, cost price analysis, rental of advertising space, demonstrations of goods, opinion polling, marketing studies, business information, commercial information and advice for consumers (consumer advice shop), business investigations, marketing research, business management and organization consultancy, layout services for advertising purposes, news clipping services, updating of advertising material, organization of exhibitions for commercial or advertising purposes, organization of trade fairs for commercial or advertising purposes, shop window dressing, presentation of goods on communication media, for retail purposes, economic forecasting, auctioneering, sales promotion for others, rental of advertising time on communication media, publicity material rental, publication of publicity texts, radio advertising, bill-posting, distribution of samples, dissemination of advertising matter, writing of publicity texts, advertising, online advertising on a computer network, advertising by mail order, television advertising, publicity columns preparation, commercial administration of the licensing of the goods and services of others, administrative processing of purchase orders, price comparison services, procurement services for others (purchasing goods and services for others), retail sale services including online retail services on a computer network.



(260) AM 2024 123450 A

(800) 1736541

(151) 2023 05 18

(891) 2023 05 18

(731) IFM Fashion Marks DMCC

Unit No: 3996, DMCC Business Centre, Level  
No 1, Jewellery & Gemplex 3, Dubai, United  
Arab Emirates

(540)

## **RIMANENZE DOLCI**

(591) Black, white

(511)

25 – Clothing, footwear, headgear; belts; sweatshirts; jumpers; jeans; pants; shirts; t-shirts; scarves; hats; caps; knitwear; jackets; sport shoes; training shoes; boots; flip flops; underwear and nightwear, tank tops, pajamas, socks; sportswear.

35 – Advertising; business management, organization and administration; office functions; marketing and promotion services; retail services and online retail services of cosmetics, perfumery, smartwatches, mobile phones, glasses, sunglasses, eyewear, precious metals and their alloys, jewelry, precious and semi-precious stones, horological and chronometric instruments, leather and imitations of leather, luggage and carrying bags, handbags, small leather goods, key holders, purses, sporting bags, umbrellas, household or kitchen utensils and containers, glassware, porcelain and earthenware, clothing, footwear, headwear, games, toys and playthings, video game apparatus, gymnastic and sporting articles; retail and online retail services relating food, wine, beverages, beer; import-export agencies, commercial information agencies; advertising agencies, cost price analysis, rental of advertising space, demonstrations of goods, opinion polling, marketing studies, business information, commercial information and advice for consumers (consumer advice shop), business investigations, marketing research, business management and organization consultancy, layout services for advertising purposes, news clipping services, updating of advertising material, organization of exhibitions for commercial or advertising purposes, organization of trade fairs for commercial or advertising purposes, shop window dressing, presentation of goods on communication media, for retail purposes, economic forecasting, auctioneering, sales promotion for others, rental of advertising time on communication media, publicity material rental, publication of publicity texts, radio advertising, bill-posting, distribution of samples, dissemination of advertising matter, writing of publicity texts, advertising, online advertising on a computer network, advertising by mail order, television advertising, publicity columns preparation, commercial administration of the licensing of the goods and services of others, administrative processing of purchase orders, price comparison services, procurement services for others (purchasing goods and services for others),

retail sale services including online retail services on a computer network.

(260) AM 2024 123452 A

(800) 1736543

(151) 2023 05 18

(891) 2023 05 18

(731) IFM Fashion Marks DMCC

Unit No: 3996, DMCC Business Centre, Level  
No 1, Jewellery & Gemplex 3, Dubai, United  
Arab Emirates

(540)

## **BEAUTY OF SUCCESS**

(591) Black, white

(511)

35 – Advertising; business management, organization and administration; office functions; marketing and promotion services; retail services and online retail services of cosmetics, perfumery, smartwatches, mobile phones, glasses, sunglasses, eyewear, precious metals and their alloys, jewelry, precious and semi-precious stones, horological and chronometric instruments, leather and imitations of leather, luggage and carrying bags, handbags, small leather goods, key holders, purses, sporting bags, umbrellas, household or kitchen utensils and containers, glassware, porcelain and earthenware, clothing, footwear, headwear, games, toys and playthings, video game apparatus, gymnastic and sporting articles; retail and online retail services relating food, wine, beverages, beer; import-export agencies, commercial information agencies; advertising agencies, cost price analysis, rental of advertising space, demonstrations of goods, opinion polling, marketing studies, business information, commercial information and advice for consumers (consumer advice shop), business investigations, marketing research, business management and organization consultancy, layout services for advertising purposes, news clipping services, updating of advertising material, organization of exhibitions for commercial or advertising purposes, organization of trade fairs for commercial or advertising purposes, shop window dressing, presentation of goods on communication media, for retail purposes, economic forecasting, auctioneering, sales promotion for others, rental of advertising time on communication media, publicity material rental, publication of publicity texts, radio advertising, bill-posting, distribution of samples, dissemination of advertising matter, writing of publicity texts, advertising, online advertising on a computer network, advertising by mail order, television advertising, publicity columns preparation, commercial administration of the licensing of the goods and services of others, administrative processing of purchase orders, price comparison services, procurement services for others (purchasing goods and services for others), retail sale services including online retail services on a computer network cosmetics, perfumery, smartwatches

hes, mobile phones, glasses, sunglasses, eyewear, precious metals and their alloys, jewelry, precious and semi-precious stones, horological and chronometric instruments, leather and imitations of leather, luggage and carrying bags, handbags, small leather goods, key holders, purses, sporting bags, umbrellas, household or kitchen utensils and containers, glassware, porcelain and earthenware, clothing, footwear, headwear, games, toys and playthings, video game apparatus, gymnastic and sporting articles; retail and online retail services relating food, wine, beverages, beer.

(260) AM 2024 123455 A

(800) 1736586

(151) 2023 05 30

(891) 2023 05 30

(731) Fresenius Kabi Deutschland GmbH

Else-Kröner-Straße 1, 61352 Bad Homburg,  
Germany

(540)

## KABDENZY

(591) Black, white

(511)

5 – Pharmaceutical preparations for human use; medical preparations for human use.

(260) AM 2024 123457 A

(800) 1736601

(151) 2023 05 19

(891) 2023 05 19

(731) Guangdong EHE Doors & Windows Industry  
Co., Ltd

No. 2, Minhong road, Changhongling industrial  
park phase two, Shishan town, Nanhai district,  
Foshan city, 518000 Guangdong, China

(540)

## EEHE

(591) Black, white

(531) 27.05.01

(511)

6 – Doors of metal; windows of metal; door fittings of metal; hinges of metal; locks of metal, other than electric; rails of metal; common metals, unwrought or semi-wrought; building materials of metal; works of art of common metal.

(260) AM 2024 123458 A

(800) 1736604

(151) 2023 04 17

(891) 2023 04 17

(731) BINGO HAIR COSMETIC MANUFACTURE  
LTD.

Building A, #6, North 4th Rd., Heting Industrial  
Zone, Renhe Town, Baiyun District,  
Guangzhou, 510470 Guangdong, China

(540)



(591) Black, white

(531) 01.15.15; 02.09.12; 27.03.02; 27.05.01

(511)

3 – Cleansing milk for toilet purposes; shampoos; cakes of toilet soap; bath salts, not for medical purposes; dry shampoos; bath preparations, not for medical purposes; hair conditioners; essential oils; hair dyes; hair waving preparations; waving preparations for the hair; cosmetics; make-up removing preparations; depilatory wax; neutralizers for permanent waving; beard dyes; hair spray; sunscreen preparations; hair straightening preparations; cosmetic preparations for baths; make-up palettes containing cosmetics; bleaching preparations [decolorants] for cosmetic purposes; herbal extracts for cosmetic purposes; oils for cosmetic purposes; adhesives for affixing false hair; skin whitening creams; cosmetic preparations for skin care.

(260) AM 2024 123459 A

(800) 1736617

(151) 2023 03 31

(891) 2023 03 31

(731) CHINA UNIONPAY CO., LTD.

No. 498 Guoshoujing Road, Pilot Free Trade  
Zone, Pudong, 201203 Shanghai, China

(540)

## UPI

(591) Black, white

(511)

9 – Cash registers; quantity indicators; money counting and sorting machines; dictating machines; fingerprint identifier; hemline markers; face recognition device; voting machines; apparatus to check stamping mail; counterfeit coin detectors; point-of-sale terminals [POS terminals]; automated teller machines [ATM].

36 – Insurance consultancy; processing of credit card payments; issuance of credit cards; financial analysis; cheque verification; processing of debit card payments; providing financial information; banking; loans [financing]; financial evaluation [insurance, banking, real estate]; electronic funds transfer; providing financial information via a website; online banking; providing rebates at participating establishments of others through use of a membership card; financial sponsorship; investment of funds; financial research; crowdfunding; e-wallet payment services; capital investment; financing services; financial management; financial consultancy; art appraisal; real estate management; financial customs brokerage services; surety services; charitable fund raising; trusteeship; lending against security.

(260) AM 2024 123467 A

(800) 1607361

(151) 2021 05 17

(891) 2023 05 17

(731) Liank Co. Ltd

#601, Daerung Post Tower 7, 48 Digital-ro33gil  
Guro-gu, Seoul 08377, Republic of Korea

(540)

# CONSLY

(591) Black, white

(531) 27.05.01; 27.05.17

(511)

3 – Non-medicated cosmetics and toiletry preparations; non-medicated dentifrices; perfumery, essential oils; bleaching preparations and other substances for laundry use; cleaning, polishing, scouring and abrasive preparations; abrasives; amber [perfume]; descaling preparations for household purposes; antistatic preparations for household purposes; aromatics [essential oils]; air fragrancing preparations; cake flavorings [essential oils]; flavorings for beverages [essential oils]; food flavourings [essential oils]; breath freshening sprays; canned pressurized air for cleaning and dusting purposes; balms, other than for medical purposes; basma [cosmetic dye]; lip glosses; nail glitter; polishing stones; abrasive paper; emery paper; polishing paper; petroleum jelly for cosmetic purposes; shoe polish; cobblers' wax; cotton wool for cosmetic purposes; cotton wool impregnated with make-up removing preparations; sachets for perfuming linen; drying agents for dishwashing machines; adhesives for cosmetic purposes; scented water; Javelle water; lavender water; micellar water; toilet water; wax for parquet floors; floor wax; non-slipping wax for floors; depilatory wax; mustache wax; tailors' wax; creams for leather; waxes for leather; polish for furniture and flooring; shoemakers' wax; polishing wax; massage gels, other than for medical purposes; heliotropine; dental bleaching gels; geraniol; make-up; deodorants for pets; deodorants for human beings or for animals; depilatory preparations; air fragrance reed diffusers; scented wood; perfumes; non-slipping liquids for floors; windshield cleaning liquids; greases for cosmetic purposes; volcanic ash for cleaning; perfumery; decorative transfers for cosmetic purposes; ionone [perfumery]; shaving stones [astringents]; smoothing stones; eyebrow pencils; cosmetic pencils; silicon carbide [abrasive]; carbides of metal [abrasives]; alum stones [astringents]; tripoli stone for polishing; adhesives for affixing false eyelashes; adhesives for affixing false hair; hair conditioners; quillaia bark for washing; corundum [abrasive]; beard dyes; colorants for toilet purposes; cosmetic dyes; body paint for cosmetic purposes; laundry starch; laundry glaze; shoe cream; polishing creams; cosmetic creams; skin whitening creams; polishing rouge; incense; hair spray; nail polish; liquid latex body paint for cosmetic purposes; hair lotions; lotions for cosmetic purposes; after-shave

lotions; beauty masks; oils for perfumes and scents; oils for cosmetic purposes; oils for toilet purposes; essential oils; essential oils of cedarwood; essential oils of lemon; essential oils of citron; oils for cleaning purposes; bergamot oil; gaultheria oil; jasmine oil; lavender oil; almond oil; rose oil; oil of turpentine for degreasing; whitening; cleaning chalk; almond milk for cosmetic purposes; cleansing milk for toilet purposes; musk [perfumery]; deodorant soap; shaving soap; soap for brightening textile; cakes of toilet soap; antiperspirant soap; soap for foot perspiration; soap; almond soap; mint for perfumery; cosmetic kits; emery; gel eye patches for cosmetic purposes; nail art stickers; false nails; eau de Cologne; bases for flower perfumes; joss sticks; pastes for razor strops; toothpaste; pumice stone; lipstick cases; hydrogen peroxide for cosmetic purposes; breath freshening strips; teeth whitening strips; abrasive cloth; glass cloth [abrasive cloth]; lipsticks; pomades for cosmetic purposes; shaving preparations; cosmetic preparations for baths; bath preparations, not for medical purposes; hair straightening preparations; hair waving preparations; laundry soaking preparations; grinding preparations; smoothing preparations [starching]; color-removing preparations; leather bleaching preparations; polishing preparations; denture polishes; mouthwashes, not for medical purposes; cosmetic preparations for slimming purposes; starch glaze for laundry purposes; preparations to make the leaves of plants shiny; eye-washes, not for medical purposes; fabric softeners for laundry use; laundry bleach; dry-cleaning preparations; paint stripping preparations; lacquer-removing preparations; make-up removing preparations; floor wax removers [scouring preparations]; varnish-removing preparations; rust removing preparations; nail care preparations; cleaning preparations; preparations for cleaning dentures; wallpaper cleaning preparations; preparations for unblocking drain pipes; chemical cleaning preparations for household purposes; collagen preparations for cosmetic purposes; bleaching preparations [decolorants] for household purposes; laundry preparations; aloe vera preparations for cosmetic purposes; sunscreen preparations; color-brightening chemicals for household purposes [laundry]; breath freshening preparations for personal hygiene; shining preparations [polish]; make-up powder; diamantine [abrasive]; stain removers; nail varnish removers; vaginal washes for personal sanitary or deodorant purposes; scouring solutions; false eyelashes; antistatic dryer sheets; baby wipes impregnated with cleaning preparations; color run prevention laundry sheets; tissues impregnated with cosmetic lotions; tissues impregnated with make-up removing preparations; saffrol; massage candles for cosmetic purposes; laundry blueing; turpentine for degreasing; potpourris [fragrances]; bleaching soda; washing soda, for cleaning; bath salts, not for medical purposes; bleaching salts; fumigation preparations [perfumes]; preservatives for leather [polishes]; ammonia [volatile alkali]

[detergent]; astringents for cosmetic purposes; eyebrow cosmetics; make-up preparations; sun-tanning preparations [cosmetics]; hair dyes; neutralizers for permanent waving; cosmetic preparations for eyelashes; cosmetic preparations for skin care; shoe wax; dentifrices; cosmetics; cosmetics for children; cosmetics for animals; mascara; cleansers for intimate personal hygiene purposes, non medicated; douching preparations for personal sanitary or deodorant purposes [toiletries]; detergents, other than for use in manufacturing operations and for medical purposes; degreasers, other than for use in manufacturing processes; bleaching preparations [decolorants] for cosmetic purposes; antiperspirants [toiletries]; toiletry preparations; phytocosmetic preparations; talcum powder, for toilet use; cotton sticks for cosmetic purposes; terpenes [essential oils]; emery cloth; cloths impregnated with a detergent for cleaning; henna [cosmetic dye]; shampoos for animals [non-medicated grooming preparations]; shampoos for pets [non-medicated grooming preparations]; dry shampoos; shampoos; sandpaper; soda lye; herbal extracts for cosmetic purposes; extracts of flowers [perfumes]; ethereal essences; badian essence; mint essence [essential oil].

(260) AM 2024 123472 A  
 (800) 1668269  
 (151) 2022 05 24  
 (891) 2023 04 19  
 (731) Limited liability company "Serbetli Group"  
 Generala Belova st., 26, floor 10, apt. 1012,  
 RU-115583 Moscow, Russian Federation  
 (540)



(591) Black and purple  
 (531) 27.01.12; 27.05.01; 27.05.09; 27.05.10;  
 27.05.17; 29.01.12  
 (511)  
 34 – Flavourings, other than essential oils, for tobacco; flavourings, other than essential oils, for use in electronic cigarettes; gas containers for cigar lighters; absorbent paper for tobacco pipes; cigarette paper; lighters for smokers; hookahs; tobacco pouches; books of cigarette papers; humidors; matchboxes; firestones; cigar cutters; cigar holders; cigarette holders; mouthpieces for cigarette holders; tips of yellow amber for cigar and cigarette holders; ashtrays for smokers; spittoons for tobacco users; pipe racks for tobacco pipes; pipe cleaners for tobacco pipes; liquid solutions for use in electronic cigarettes; electronic cigarettes; cigarettes; cigarettes containing tobacco substitutes, not for medical purposes; cigarillos; cigars; tobacco jars; match holders; matches; oral vaporizers for smokers; tobacco; chewing tobacco; snuff; snuff bo-

xes; herbs for smoking; tobacco pipes; pocket machines for rolling cigarettes; cigarette filters; wicks adapted for cigarette lighters; cigarette tips; cigar cases; cigarette cases.

(260) AM 2024 123474 A  
 (800) 1683322  
 (151) 2022 08 24  
 (891) 2023 06 05  
 (731) Bayer Intellectual Property GmbH  
 Alfred-Nobel-Str. 50, 40789 Monheim  
 am Rhein, Germany  
 (540)

## HILAXOVIST

(591) Black, white  
 (511)  
 5 – Pharmaceutical preparations; contrast media for use in medical imaging.

(260) AM 2024 123522 A  
 (800) 1736681  
 (151) 2022 10 17  
 (891) 2022 10 17  
 (731) LEONARD CAHEN DIT NATHAN  
 78 Boulard Arago, F-75013 PARIS, France  
 (540)



(591) Black, white  
 (531) 26.11.11; 27.05.01; 27.05.24  
 (511)  
 9 – Spectacles; scanners; abacuses; accelerometers; accumulators, electric; acid hydrometers; acidimeters for batteries; acoustic alarms / sound alarms; acoustic conduits; acoustic couplers; actinometers; electrical adapters; adding machines; aerials / antennas; aerometers; air analysis apparatus; airbags for safety purposes for fall protection; alarm bells, electric; alarms; alcoholmeters; alidades; altimeters; ammeters; amplifiers; amplifiers for servo motors; amplifying tubes / amplifying valves; anemometers; animal signalling rattles for directing livestock; animated cartoons; anode batteries / high tension batteries; anodes; answering machines; anti-glare glasses; anti-interference devices [electricity]; anti-theft warning apparatus: anticathodes; apertometers [optics]; apparatus for generating gas for calibration purposes; apparatus for testing breast milk, other than for medical or veterinary use; armatures [electricity]; asbestos clothing for protection against fire; asbestos gloves for protection against accidents; asbestos screens for firemen; apparatus and

instruments for astronomy; audio interfaces; audio mixers; audio- and video-receivers; audiovisual teaching apparatus; automated teller machines [ATM]; azimuth instruments; baby monitors; baby scales; bags adapted for laptops; balances [steelyards] / lever scales [steelyards] / steelyards [lever scales]; balancing apparatus; bar code readers; barometers; bathroom scales; batteries for electronic cigarettes; batteries, electric; batteries, electric, for vehicles / accumulators, electric, for vehicles; battery boxes / accumulator boxes; battery chargers; battery jars / accumulator jars; beacons, luminous; bells [warning devices]; betatrons; binoculars; biochips; biometric identity cards; biometric locks; biometric passports / e-passports; bioreactors for cell culturing for scientific research; bioreactors for laboratory use; black boxes [data recorders]; blueprint apparatus; body harnesses for support when lifting loads; boiler control instruments; branch boxes [electricity]; breathalyzers; breathing apparatus for underwater swimming; breathing apparatus, except for artificial respiration; bullet-proof clothing; bullet-proof vests / bullet-proof waistcoats; buzzers; cabinets for loudspeakers; cables, electric; calculating machines; calibrating rings; calipers; calorimeters; camcorders; cameras [photography]; capillary tubes for laboratory use; carpenters' rules; carriers for dark plates [photography]; cases especially made for photographic apparatus and instruments; cases for smartphones; cash registers; cassette players; cathodes; cathodic anti-corrosion apparatus; cell phone straps; cell switches [electricity] / reducers [electricity]; centering apparatus for photographic transparencies; apparatus for changing record player needles; chargers for electric accumulators; chargers for electronic cigarettes; charging stations for electric vehicles; apparatus to check franking / apparatus to check stamping mail; chemistry apparatus and instruments; chips [integrated circuits]; choking coils [impedance]; chromatography apparatus for laboratory use; chronographs [time recording apparatus]; cinematographic cameras; cinematographic film, exposed; circuit breakers; circuit closers; circular slide rules; cleaning apparatus for phonograph records / cleaning apparatus for sound recording discs; climate control digital thermostats; close-up lenses; clothing especially made for laboratories; clothing for protection against accidents, irradiation and fire; clothing for protection against fire / garments for protection against fire; coaxial cables; coils, electric; coin-operated mechanisms for television sets; mechanisms for coin-operated apparatus; collectors, electric; electric apparatus for commutation; commutators; compact disc players; compact discs [audio-video]; compact discs [read-only memory]; comparators; compasses for measuring; computer game software, downloadable; computer game software, recorded; computer hardware; computer keyboards; computer memory devices; computer operating programs, recorded; computer peripheral devices; computer programs, downloadable; computer programs,

recorded; computer screen saver software, recorded or downloadable; computer software applications, downloadable; computer software platforms, recorded or downloadable; computer software, recorded; computers; condensers [capacitors] / capacitors; conductors, electric; connected bracelets [measuring instruments]; connections for electric lines; connectors [electricity]; contact lenses; contact lens cases incorporating ultrasonic cleaning functions; contacts, electric; containers for contact lenses; containers for microscope slides; control panels [electricity]; controllers for servo motors; converters, electric; cooling pads for laptop computers; copper wire, insulated; cordless telephones; correcting lenses [optics]; cosmographic instruments; mechanisms for counter-operated apparatus; counterfeit coin detectors; counters / meters; couplers [data processing equipment]; couplings, electric / connections, electric; covers for electric outlets; covers for personal digital assistants [PDAs]; covers for smartphones; covers for tablet computers; crash test dummies; credit card terminals; crucibles [laboratory] / cupels [laboratory]; current rectifiers; cyclotrons; darkroom lamps [photography]; darkrooms [photography]; dashboard mats adapted for holding mobile telephones and smartphones; data gloves; data processing apparatus; data sets, recorded or downloadable; decompression chambers; decorative magnets; demagnetizing apparatus for magnetic tapes; densimeters; densitometers; detectors; metal detectors for industrial or military purposes; diagnostic apparatus, not for medical purposes; diaphragms [acoustics]; diaphragms [photography]; diaphragms for scientific apparatus; dictating machines; diffraction apparatus [microscopy]; digital photo frames; digital signs; digital weather stations; personal digital assistants [PDAs]; directional compasses; discharge tubes, electric, other than for lighting / electric discharge tubes, other than for lighting; disk drives for computers; disks, magnetic; distance measuring apparatus; distance recording apparatus / apparatus for recording distance; distillation apparatus for scientific purposes; distribution boards [electricity]; distribution boxes [electricity]; distribution consoles [electricity]; divers' masks; diving suits; DNA chips; dog whistles; electric door bells; dosage dispensers / dosimeters; downloadable cryptographic keys for receiving and spending crypto assets; downloadable e-wallets; downloadable emoticons for mobile phones; downloadable graphics for mobile phones; downloadable image files; downloadable music files; downloadable ring tones for mobile phones; downloadable computer software for managing cryptocurrency transactions using blockchain technology; drainers for use in photography / photographic racks; dressmakers' measures; droppers for measuring, other than for medical or household purposes; drying apparatus for photographic prints; drying racks [photography]; ducts [electricity]; dust masks incorporating air purification; DVD players; dynamometers; ear pads for headphones; ear plugs for divers; earpieces for remote

communication; apparatus for editing cinematographic film; effects pedals for guitars; egg timers [sand-glasses] / hourglasses; egg-candlers; electric actuators; electric linear actuators; electricity conduits; materials for electricity mains [wires, cables]; electrified fences; electrified rails for mounting spot lights; electro-dynamic apparatus for the remote control of railway points; electro-dynamic apparatus for the remote control of signals; electrolysis apparatus for laboratory use; electromagnetic coils; electric and electronic effects units for musical instruments; electronic access control systems for interlocking doors; electronic agendas; electronic book readers; electronic collars to train animals; electronic interactive whiteboards; electronic key fobs being remote control apparatus; electronic notice boards; electronic numeric displays; electronic pens [visual display units]; electronic pocket translators; electronic publications, downloadable; electronic sheet music, downloadable; electronic tags for goods; electronic controllers for servo motors; encoded identification bracelets, magnetic; encoded key cards; encoded magnetic cards; enlarging apparatus [photography]; epidiascopes; equalizers [audio apparatus] / equalisers [audio apparatus]; ergometers; evacuation chairs; exposure meters [light meters]; eyepieces; instruments containing eyepieces; eyewear; facsimile machines; fermentation apparatus for laboratory use; fibre optic cables / fiber optic cables; film cutting apparatus; films, exposed; filters for respiratory masks; filters for ultraviolet rays, for photography; filters for use in photography; finger sizers; fire alarms; fire beaters; fire blankets; fire boats; fire engines; fire escapes; fire extinguishers; fire extinguishing apparatus; fire hose; fire hose nozzles; fire pumps; fire-extinguishing balls; flash lamps for smartphones; flash-bulbs [photography]; flashing lights [luminous signals]; flashlights [photography]; floppy disks; flowmeters; fluorescent screens; fog signals, non-explosive; foldable smartphones; food analysis apparatus; frames for photographic transparencies; frequency meters; furnaces for laboratory use / ovens for laboratory use; furniture especially made for laboratories; fuse wire; fuses; galena crystals [detectors]; galvanic batteries; galvanic cells; galvanometers; gas testing instruments; gasometers [measuring instruments]; gauges; glazing apparatus for photographic prints; Global Positioning System [GPS] apparatus; gloves for divers; gloves for protection against accidents; gloves for protection against X-rays for industrial purposes; goggles for sports; grids for batteries; hairdressing training heads [teaching apparatus]; hand-held electronic dictionaries; hands-free kits for telephones; haptic suits, other than for medical purposes; head cleaning tapes [recording]; head guards for sports; head-mounted displays; head-up display apparatus for vehicles; headgear being protective helmets; headphones; headsets; headsets for playing video games; heat regulating apparatus; height measuring instruments; heliographic apparatus; hemline

markers; high-frequency apparatus; holders for electric coils; holders adapted for mobile telephones and smartphones; holograms; home automation hubs / smart home hubs; horns for loudspeakers; hydrometers; hygrometers; identification sheaths for electric wires; identification threads for electric wires; identity cards, magnetic; igniting apparatus, electric, for igniting at a distance / electric apparatus for remote ignition; ignition batteries; in-car telephone handset cradles; incubators for bacteria culture; automatic indicators of low pressure in vehicle tyres / automatic indicators of low pressure in vehicle tires; inductors [electricity]; infrared detectors; ink cartridges, unfilled, for printers and photocopiers; integrated circuit cards [smart cards] / smart cards [integrated circuit cards]; integrated circuits; interactive touch screen terminals; intercommunication apparatus; interfaces for computers; internal cooling fans for computers; inverters [electricity]; invoicing machines; ionization apparatus not for the treatment of air or water; jigs [measuring instruments]; joysticks for use with computers, other than for video games; juke boxes for computers; juke boxes, musical / coin-operated musical automata [juke boxes]; junction boxes [electricity]; junction sleeves for electric cables; knee-pads for workers; laboratory centrifuges; laboratory pipettes; laboratory robots; laboratory trays; lactodensimeters; lactometers; laptop computers; lasers, not for medical purposes; lens hoods; lenses for astrophotography; letter scales; levelling instruments; levelling staffs [surveying instruments] / rods [surveying instruments]; levels [instruments for determining the horizontal]; life belts; life buoys; lifejackets; life-saving apparatus and equipment; life-saving capsules for natural disasters; life-saving rafts; lifeboats; light dimmers [regulators], electric / light regulators [dimmers], electric; light-emitting diodes [LED]; light-emitting electronic pointers; lighting ballasts; lightning conductors / lightning arresters / lightning rods; limiters [electricity]; locks, electric; logs [measuring instruments]; electric loss indicators; loudspeakers; magic lanterns; magnetic data media; magnetic encoders; magnetic resonance imaging [MRI] apparatus, not for medical purposes; magnetic tape units for computers; magnetic tapes; magnetic wires; magnets; magnifying glasses [optics]; marine compasses; marine depth finders; marking buoys; marking gauges [joinery]; protective masks, not for medical purposes; masts for wireless aerials; mathematical instruments; measures; apparatus for measuring the thickness of skins; appliances for measuring the thickness of leather; measuring apparatus; measuring devices, electric; measuring glassware / graduated glassware; measuring instruments; measuring spoons; megaphones; memory cards for video game machines; mercury levels; meteorological balloons; meteorological instruments; metronomes; micrometer screws for optical instruments; micrometers / micrometer gauges; microphones; microprocessors; microscopes; microtomes; mileage recorders for vehicles /

kilometer recorders for vehicles; mirrors [optics]; mirrors for inspecting work; mobile telephones / cell phones / cellular phones; mobile phone chargers; mobile phone ring holders; mobile phone ring stands; mobile phone screen protectors; modems; money counting and sorting machines; monitoring apparatus, other than for medical purposes; monitors [computer hardware]; monitors [computer programs]; mouse [computer peripheral]; mouse pads; mouth guards for sports; musical instrument digital interface controllers being audio interfaces; nanoparticle size analysers / nanoparticle size analyzers; nautical apparatus and instruments; naval signalling apparatus; navigation apparatus for vehicles [on-board computers]; navigational instruments; needles for record players / styli for record players; needles for surveying compasses; neon signs; nets for protection against accidents; neural helmets, not for medical purposes; nose clips for divers and swimmers; notebook computers; objectives [lenses] [optics]; observation instruments; octants; ohmmeters; optical apparatus and instruments; optical character readers; optical condensers; optical data media; optical discs; optical fibres [light conducting filaments] / optical fibers [light conducting filaments]; optical glass; optical lanterns / optical lamps; optical lenses; organic light-emitting diodes [OLED]; oscillographs; oxygen transvasing apparatus; ozonisers [ozonators]; padlocks, electronic; parking meters; parking sensors for vehicles; particle accelerators; pedometers; peepholes [magnifying lenses] for doors; periscopes; Petri dishes; petrol gauges / gasoline gauges; phonograph records / sound recording discs; photocopyers [photographic, electrostatic, thermic]; photometers; phototelegraphy apparatus; photovoltaic cells; apparatus and instruments for physics; piezoelectric sensors; pince-nez; Pitot tubes; plane tables [surveying instruments]; planimeters; plates for batteries; plotters; electric plugs; plumb bobs; plumb lines; pocket calculators; polarimeters; portable media players; portable power chargers; portable speakers; portable ultrafine dust meters; precision balances; precision measuring apparatus; pressure gauges / manometers; pressure indicator plugs for valves; pressure indicators; pressure measuring apparatus; printed circuit boards; printed circuits; printers for use with computers; prisms [optics]; probes for scientific purposes; processors [central processing units] / central processing units [processors]; devices for the projection of virtual keyboards; projection apparatus; projection screens; protection devices against X-rays, not for medical purposes; protection devices for personal use against accidents; protective films adapted for computer screens; protective films adapted for smartphones; protective helmets; protective helmets for sports; protective suits for aviators; protractors [measuring instruments]; punched card machines for offices; push buttons for bells; pyrometers; quantity indicators; quantum dot light-emitting diodes [QLED]; quantum computers; radar apparatus; radio pagers; radiological

apparatus for industrial purposes; radiology screens for industrial purposes; radios; radiotelegraphy sets; radiotelephony sets; railway traffic safety appliances; range finders / telemeters; readers [data processing equipment]; rearview cameras for vehicles; record players; reflective articles for wear, for the prevention of accidents; reflective safety vests; refractometers; refractors; regulating apparatus, electric; relays, electric; electric installations for the remote control of industrial operations; remote control apparatus; rescue flares, non-explosive and non-pyrotechnic; rescue laser signalling flares; resistances, electric; respirators for filtering air; respiratory masks, other than for artificial respiration; resuscitation mannequins [teaching apparatus]; resuscitation training simulators; retorts; retorts' stands; revolution counters; rheostats; riding helmets; ring sizers; road signs, luminous or mechanical; humanoid robots with artificial intelligence for use in scientific research; rods for water diviners; rulers [measuring instruments]; rules [measuring instruments]; saccharometers; safety nets / life nets; safety restraints, other than for vehicle seats and sports equipment; safety tarpaulins; safety signs [luminous]; salinometers; satellite finder meters; satellite navigational apparatus; satellites for scientific purposes; scales; scales with body mass analysers / scales with body mass analyzers; scanners [data processing equipment]; scanners [apparatus] for performing automotive diagnostics; screens [photography]; screens for photoengraving; screw-tapping gauges; security surveillance robots; security tokens [encryption devices]; selfie lenses; selfie sticks [hand-held monopods]; selfie ring lights for smartphones; semi-conductors; sextants; sheaths for electric cables; shoes for protection against accidents, irradiation and fire; shutter releases [photography]; shutters [photography]; sighting telescopes for firearms / telescopic sights for firearms; signal bells; signal lanterns; signalling buoys; signalling panels, luminous or mechanical; signalling whistles; signals, luminous or mechanical; mechanical signs; signs, luminous; simulators for the steering and control of vehicles; sirens; sleeves for laptops; slide calipers; slide projectors / transparency projection apparatus; slide-rules; slope indicators / clinometers / gradient indicators / inclinometers; smart rings; smart speakers; smartglasses; smartphones; smartwatches; smoke detectors; snorkels; electric sockets; software as a medical device [SaMD], downloadable; solar batteries; solar panels for the production of electricity; solderers' helmets; solenoid valves [electromagnetic switches]; sonars; sound locating instruments; sound recording apparatus; sound recording carriers; sound recording strips; sound reproduction apparatus; sound transmitting apparatus; sounding lines; spark-guards; speaking tubes; spectacle cases / eyeglass cases; spectacle chains / eyeglass chains; spectacle cords / eyeglass cords; spectacle frames / eyeglass frames; spectacle lenses / eyeglass lenses; spectacles / eyeglasses;

spectacles for correcting colour blindness / color blindness correction glasses / colour blindness correction glasses / spectacles for correcting color blindness; spectrograph apparatus; spectrometers; speed checking apparatus for vehicles; speed indicators; speed measuring apparatus [photography]; speed regulators for record players; spherometers; spirit levels; spools [photography]; sports whistles; sprinkler systems for fire protection; square rulers for measuring; squares for measuring; stage lighting regulators; stands adapted for laptops; stands for photographic apparatus; starter cables for motors; steering apparatus, automatic, for vehicles; step-up transformers; personal stereos; stereoscopes; stereoscopic apparatus; stills for laboratory experiments; stroboscopes; subwoofers; sulfimeters; sunglasses; surveying apparatus and instruments; surveying chains; surveying instruments; surveyors' levels; survival blankets; switchboards; switchboxes [electricity]; switches, electric; squares for measuring; tablet computers; tachometers; tape recorders; taximeters; teaching apparatus; teaching robots; teeth protectors; telecommunication apparatus in the form of jewellery / telecommunication apparatus in the form of jewelry; telegraph wires; telegraphs [apparatus]; telephone apparatus; telephone receivers; telephone transmitters; telephone wires; telepresence robots; teleprinters / teletypewriters; teleprompters; telerupters; telescopes; telescopic sights for artillery; television apparatus; temperature indicator labels, not for medical purposes; temperature indicators; terminals [electricity]; test tubes; material testing instruments and machines; testing apparatus not for medical purposes; theft prevention installations, electric; theodolites; thermal imaging cameras; thermionic valves / thermionic tubes; thermo-hygrometers; thermometers, not for medical purposes; thermostats; thermostats for vehicles; thin client computers; thin film speakers; thread counters; ticket dispensers; ticket printers; time clocks [time recording devices]; time recording apparatus; time switches, automatic; tone arms for record players; toner cartridges, unfilled, for printers and photocopiers; totalizers; trackballs [computer peripherals]; traffic cones; traffic-light apparatus [signalling devices]; transformers [electricity]; transistors [electronic]; transmitters [telecommunication]; transmitters of electronic signals; transmitting sets [telecommunication]; transparencies [photography] / slides [photography]; transponders; triodes; tripods for cameras; urinometers; USB flash drives; vacuum gauges; vacuum tubes [radio]; variometers; vehicle breakdown warning triangles; vehicle radios; verniers; video baby monitors; video cassettes; video game cartridges; video projectors; video recorders; video screens; video telephones; videotapes; viewfinders, photographic; virtual reality headsets; viscosimeters; visors for helmets; voltage regulators for vehicles; voltage surge protectors; voltmeters; voting machines; wafers for integrated circuits; wah-wah pedals; walkie-talkies; warning signs [luminous]; washing trays

[photography]; water level indicators; wavemeters; wearable activity trackers; wearable computers; wearable video display monitors; wearable speakers; weighbridges; weighing apparatus and instruments; weighing machines; weight belts for divers; weights; whistle alarms; wind socks for indicating wind direction; electric wire harnesses for automobiles; wire connectors [electricity]; wireless portable printers for use with laptops and mobile devices; wireless speaker microphones; wires, electric; workmen's protective face-shields; wrist rests for use with computers; X-ray apparatus not for medical purposes; X-ray films, exposed; X-ray photographs, other than for medical purposes; X-ray tubes not for medical purposes; apparatus and installations for the production of X-rays, not for medical purposes.

42 – Analysis for oil-field exploitation; architectural consultancy; architectural services; artificial intelligence consultancy; authenticating works of art; bacteriological research; biological research; business card design; calibration [measuring]; cartographic or thermographic measurement services by drone; cartography services; chemical analysis; chemical research; chemistry services; clinical trials; cloud seeding; computer programming; computer rental; computer security consultancy; computer software consultancy; computer software design; computer system analysis; computer system design; computer technology consultancy; computer virus protection services; rental of computer software; computer graphic design for video projection mapping; computer programming services for data processing; providing virtual computer systems through cloud computing; construction drafting; consultancy in the design and development of computer hardware; consultancy in the field of energy-saving; conversion of computer programs and data, other than physical conversion; conversion of data or documents from physical to electronic media; cosmetic research; creating and designing website-based indexes of information for others [information technology services]; creating and maintaining websites for others; cryptocurrency mining / cryptomining; culturing of cells for scientific research purposes; data encryption services; data security consultancy; design of interior décor; interior design; design of computer-simulated models; design of costumes; design of prototypes; design of show scenery; development of computer platforms; development of video and computer games; digital forensic investigations in the field of computer crimes; digitization of documents [scanning]; dress designing; duplication of computer programs; electronic data storage; electronic monitoring of credit card activity to detect fraud via the internet; electronic monitoring of personally identifying information to detect identity theft via the internet; energy auditing; engineering; exploration services in the field of the oil, gas and mining industries; geological prospecting; geological research; geological surveys; geological test drilling; geotechnical investigations; golf



course design; graphic arts design; graphic design of promotional materials; handwriting analysis [graphology]; hosting computer websites; industrial design; information technology [IT] consultancy; information technology services provided on an outsourcing basis; providing information relating to computer technology and programming via a website; installation of computer software; internet security consultancy; land surveying; logo design services; maintenance of computer software; mechanical research; medical research; meteorological information; rental of meters for the recording of energy consumption; monitoring of computer systems by remote access; monitoring of computer systems for detecting unauthorized access or data breach; monitoring of computer systems to detect breakdowns; off-site data backup; oil prospecting; oil-field surveys; oil-well testing; packaging design; platform as a service [PaaS]; providing geographic information; providing online geographic maps, not downloadable; quality control; quality evaluation of standing timber; quality evaluation of wool; quantum computing; recovery of computer data; rental of data centre facilities; research and development of new products for others; research in the field of building construction; research in the field of environmental protection; research in the field of physics; research in the field of telecommunications technology; research in the field of welding; research in the field of artificial intelligence technology; research in the field of excavation; providing scientific information, advice and consultancy relating to carbon offsetting; scientific and technological research in the field of natural disasters; scientific and technological research relating to patent mapping; scientific laboratory services; scientific research; providing search engines for the internet; server hosting; software as a service [SaaS]; software development in the framework of software publishing; software engineering services for data processing; styling [industrial design]; surveying; conducting technical project studies; technical writing; technological consultancy; technological research; technological consulting services for digital transformation; telecommunication network security consultancy; telecommunications technology consultancy; material testing; textile testing; underwater exploration; unlocking of mobile phones; updating of computer software; urban planning; user authentication services using single sign-on technology for online software applications; user authentication services using technology for e-commerce transactions; user authentication services using blockchain technology; vehicle roadworthiness testing; water analysis; weather forecasting; rental of web servers; website design consultancy; writing of computer code.

(260) AM 2024 123531 A  
 (800) 1736961  
 (151) 2023 04 11  
 (891) 2023 04 11  
 (731) BETAFARMA S.P.A.  
 VIA E. DE NICOLA 10, I-20090 CESANO  
 BOSCONI (MI), Italy

(540)

## BABY COCCOLE

(591) Black, white  
 (511)  
 3 – Soaps and cosmetics, including perfumes, solid perfumes, liquid soaps, bars of soap, deodorants, shower gels, toothpastes, shampoos, essential oils, face creams, lipsticks, body lotions, suntan oils and creams.

(260) AM 2024 123532 A  
 (800) 1737081  
 (151) 2023 04 19  
 (891) 2023 04 19  
 (731) Petrepublic Sp. z o.o.  
 ul. Nasienna 22, PL-95-040 Koluszki,  
 Poland

(540)



(591) Black, white  
 (531) 03.01.08; 03.01.24; 26.11.02; 26.11.12;  
 27.05.01  
 (511)  
 31 – Foodstuffs for dogs; dog treats [edible]; foodstuffs and fodder for animals; food preparations for dogs; food preparations for cats; beverages for pets; biscuits for animals; ice creams for animals; bedding and litter for animals; sand for pet toilets; litter for domestic animals; cat litter; woodshavings for use as animal bedding; straw litter.

(260) AM 2024 123539 A  
 (800) 1737184  
 (151) 2022 11 30  
 (891) 2022 11 30  
 (731) SUBSIDIARY COMPANY  
 CONFECTIONERY CORPORATION  
 "ROSHEN"  
 1 Nauky Avenue, building 1, Kyiv 03039,  
 Ukraine

(540)



(591) Black, white

(531) 01.15.21; 25.01.15; 27.05.10; 27.05.24

(511)

30 – Caramels [sweets]; confectionery; sweets.

(260) AM 2024 123540 A

(800) 1737198

(151) 2023 05 04

(891) 2023 05 04

(731) PHARMAGATE LTD.

Suite No. 36, The Brentano Suite, Solar House,  
915 High Road, London N12 8QJ,  
United Kingdom

(540)

# ФАРМАГЕЙТ

(591) Black, white

(531) 28.05

(511)

3 – Breath freshening sprays; amber [perfume]; antistatic preparations for household purposes; badian essence; cosmetic dyes; colour-brightening chemicals for household purposes [laundry]; bergamot oil; sachets for perfuming linen; joss sticks; laundry glaze; shining preparations [polish]; shaving soap; shaving preparations; eyebrow cosmetics; petroleum jelly for cosmetic purposes; cosmetic preparations for baths; bath salts, not for medical purposes; cotton wool for cosmetic purposes; cotton sticks for cosmetic purposes; bleaching soda; skin whitening creams; laundry bleaching preparations; bleaching salts; dental bleaching gels; bleaching preparations [decolorants] for cosmetic purposes; cosmetic preparations for slimming purposes; decorative transfers for cosmetic purposes; cosmetic preparations for eyelashes; false eyelashes; moustache wax; hair colorants; hair lotions; hair waving preparations; astringents for cosmetic purposes; cloths impregnated with a detergent for cleaning; make-up; make-up preparations; make-up removing preparations; lipsticks; deodorants for human beings or for animals; deodorant soap; depilatories; scented water; scented wood; extracts of flowers [perfumes]; ethereal essences; ethereal oils; javelle water; jasmine oil; greases for cosmetic purposes; laundry soaking preparations; aromatics [essential oils]; flavourings for beverages [essential oils]; cake flavourings [essential oils]; colour-removing preparations; degreasers, other than for use in manufacturing processes; descaling preparations for household purposes; dentifrices;

denture polishes; preparations for cleaning dentures; essential oils of cedarwood; adhesives for cosmetic purposes; cosmetics; cosmetics for animals; make-up powder; beauty masks; make-up palettes containing cosmetics; cosmetic creams; cakes of toilet soap; lavender water; lavender oil; varnish-removing preparations; hair spray; nail varnish; essential oils of lemon; polishing rouge; laundry glaze; lotions for cosmetic purposes; tissues impregnated with cosmetic lotions; after-shave lotions; wax for parquet floors; almond oil; almond soap; almond milk for cosmetic purposes; washing soda, for cleaning; soap; soap for brightening textile; soap for foot perspiration; antiperspirant soap; cleansing milk for toilet purposes; musk [perfumery]; fabric softeners for laundry use; mint for perfumery; mint essence [essential oil]; nail care preparations; false nails; eau de cologne; cosmetic pencils; oils for perfumes and scents; oils for cosmetic purposes; oils for toilet purposes; oils for cleaning purposes; oil of turpentine for degreasing; perfumery; perfumes; pumice stone; hydrogen peroxide for cosmetic purposes; stain removers; canned pressurized air for cleaning and dusting purposes; mouthwashes, not for medical purposes; pomades for cosmetic purposes; laundry bleaching preparations; dry-cleaning preparations; laundry blueing; sun-tanning preparations [cosmetics]; soda lye; potpourris [fragrances]; talcum powder, for toilet use; terpenes [essential oils]; rose oil; toiletry preparations; toilet water; mascara; paint stripping preparations; cosmetic dyes; cleaning preparations; scouring solutions; shampoos; shampoos for pets [non-medicated grooming preparations]; cosmetic preparations for skin care.

5 – Dental abrasives; acaricides; aconitine; alkaloids for medical purposes; algicides; aldehydes for pharmaceutical purposes; aluminium acetate for pharmaceutical purposes; amino acids for veterinary purposes; amino acids for medical purposes; analgesics; angostura bark for medical purposes; anaesthetics; antibiotics; appetite suppressants for medical purposes; first-aid boxes, filled; acetates for pharmaceutical purposes; tonics [medicines]; germicides; bacterial poisons; bacterial preparations for medical and veterinary use; bacteriological culture mediums; bacteriological preparations for medical and veterinary use; balms for medical purposes; balsamic preparations for medical purposes; sanitary pads; aseptic cotton; tobacco-free cigarettes for medical purposes; bandages for dressings; albuminous preparations for medical purposes; albuminous foodstuffs for medical purposes; biological preparations for veterinary purposes; biological preparations for medical purposes; biocides; bismuth preparations for pharmaceutical purposes; bismuth subnitrate for pharmaceutical purposes; wart pencils; flour for pharmaceutical purposes; bromine for pharmaceutical purposes; bronchodilating preparations; vaginal washes for medical purposes; chemical preparations for the diagnosis of pregnancy; petroleum jelly for medical purposes; vaccines; therapeutic preparati-

ons for the bath; salts for mineral water baths; oxygen baths; bath salts for medical purposes; lime-based pharmaceutical preparations; wadding for medical purposes; absorbent cotton; veterinary preparations; decoctions for pharmaceutical purposes; tartar for pharmaceutical purposes; chemical preparations for treating diseases affecting vine plants; vitamin preparations; seawater for medicinal bathing; mineral waters for medical purposes; hydrated chloral for pharmaceutical purposes; dietary fibre; medicinal hair growth preparations; charcoal for pharmaceutical purposes; gases for medical purposes; gallic acid for pharmaceutical purposes; guaiacol for pharmaceutical purposes; haematogen; haemoglobin; haemorrhoid preparations; herbicides; sanitary pants; hydrastine; hydrastinine; liquorice for pharmaceutical purposes; mustard for pharmaceutical purposes; mustard oil for medical purposes; mustard plasters; anthelmintics; glycerine for medical purposes; glycerophosphates; glucose for medical purposes; headache relief sticks; hormones for medical purposes; preparations for destroying dry rot fungus; mud for baths; medicinal mud; vulnerary sponges; rubber for dental purposes; gamboge for medical purposes; gurjun balsam for medical purposes; soil-sterilizing preparations; disinfectants for hygiene purposes; disinfectants for chemical toilets; deodorants for clothing and textiles; deodorants, other than for human beings or for animals; detergents for medical purposes; digitalin; lacteal flour for babies; diabetic bread adapted for medical use; diagnostic preparations for medical purposes; diastase for medical purposes; dietetic beverages adapted for medical purposes; dietetic substances adapted for medical use; dietetic foods adapted for medical purposes; milking grease; yeast for pharmaceutical purposes; eucalyptus for pharmaceutical purposes; eucalyptol for pharmaceutical purposes; chemical conductors for electrocardiograph electrodes; elixirs [pharmaceutical preparations]; esters for pharmaceutical purposes; ethers for pharmaceutical purposes; gelatine for medical purposes; cod liver oil; greases for veterinary purposes; greases for medical purposes; chewing gum for medical purposes; medicines for alleviating constipation; semen for artificial insemination; nervines; chemical preparations for treating diseases affecting cereal plants; dental amalgams of gold; teeth filling material; preparations to facilitate teething; dental impression materials; dental lacquer; medicated toothpaste; adhesives for dentures; dental cements; isotopes for medical purposes; immunostimulants; insecticides; irish moss for medical purposes; caustic pencils; caustics for pharmaceutical purposes; iodine for pharmaceutical purposes; alkaline iodides for pharmaceutical purposes; iodides for pharmaceutical purposes; iodoform; potassium salts for medical purposes; calomel [fungicide]; gum for medical purposes; camphor for medical purposes; camphor oil for medical purposes; cachets for pharmaceutical purposes; capsules for medicines; carbolineum [parasiticide]; castor oil for medical pur-

poses; cachou for pharmaceutical purposes; quassia for medical purposes; quebracho for medical purposes; cedar wood for use as an insect repellent; oxygen for medical purposes; acids for pharmaceutical purposes; bone cement for surgical and orthopaedic purposes; fly catching adhesives; cocaine for medical purposes; collodion for pharmaceutical purposes; insect repellents; compresses; condurango bark for medical purposes; solutions for contact lenses; contact lens cleaning preparations; barks for pharmaceutical purposes; quinquina for medical purposes; medicinal roots; rhubarb roots for pharmaceutical purposes; lint for medical purposes; cream of tartar for pharmaceutical purposes; creosote for pharmaceutical purposes; blood plasma; blood for medical purposes; depuratives; haemostatic pencils; styptic preparations; dill oil for medical purposes; croton bark; starch for dietetic or pharmaceutical purposes; cultures of microorganisms for medical or veterinary use; curare; smoking herbs for medical purposes; milk sugar for pharmaceutical purposes; adhesive plasters; lecithin for medical purposes; adhesive tapes for medical purposes; larvae exterminating preparations; medicinal alcohol; medicine cases, portable, filled; medicines for veterinary purposes; medicines for human purposes; medicines for dental purposes; herbal teas for medicinal purposes; medicinal herbs; remedies for foot perspiration; medicinal drinks; medicinal infusions; medicinal oils; liniments; liquorice for pharmaceutical purposes; tissues impregnated with pharmaceutical lotions; lotions for veterinary purposes; lotions for pharmaceutical purposes; pharmaceutical preparations for treating dandruff; lupulin for pharmaceutical purposes; lozenges for pharmaceutical purposes; linseed meal for pharmaceutical purposes; linseed for pharmaceutical purposes; magnesia for pharmaceutical purposes; ointments for pharmaceutical purposes; mangrove bark for pharmaceutical purposes; gauze for dressings; royal jelly for pharmaceutical purposes; melissa water for pharmaceutical purposes; sanitary pads; menthol; almond milk for pharmaceutical purposes; myrobalan bark for pharmaceutical purposes; preparations for destroying mice; preparations of trace elements for human and animal use; nutritive substances for microorganisms; mothproofing paper; mothproofing preparations; mineral water salts; mineral dietary supplements; preparations for callouses; corn remedies; corn rings for the feet; moleskin for medical purposes; milk ferments for pharmaceutical purposes; fly catching paper; fly destroying preparations; powder of cantharides; mint for pharmaceutical purposes; scapulars for surgical purposes; vesicants; narcotics; tincture of iodine; tinctures for medical purposes; sodium salts for medical purposes; antiparasitic collars for animals; smelling salts; fumigation preparations for medical purposes; fumigating sticks; frostbite salve for pharmaceutical purposes; chilblain preparations; oil of turpentine for pharmaceutical purposes; opium; opiates; preparations for the treatment of burns; opodeldoc;

poisons; eyepatches for medical purposes; sulfur sticks [disinfectants]; pants, absorbent, for incontinence; paper for mustard plasters; preparations for destroying vermin; parasitocides; pectin for pharmaceutical purposes; diapers for incontinence; pepsins for pharmaceutical purposes; peptones for pharmaceutical purposes; dressings, medical; surgical dressings; surgical implants comprised of living tissues; hydrogen peroxide for medical purposes; pesticides; pyrethrum powder; remedies for perspiration; air deodorizing preparations; air purifying preparations; mineral dietary supplements; mouthwashes for medical purposes; pomades for medical purposes; porcelain for dental prostheses; laxatives; poultices; food for babies; by-products of the processing of cereals for dietetic or medical purposes; purgatives; asthmatic tea; febrifuges; chemical contraceptives; antiseptic cotton; antiseptics; corn rings for the feet; antiparasitic preparations; anti-uric preparations; anticryptogamic preparations; leeches for medical purposes; radium for medical purposes; radioactive substances for medical purposes; cement for animal hooves; chemical reagents for medical or veterinary purposes; radiological contrast substances for medical purposes; repellents for dogs; fish meal for pharmaceutical purposes; ergot for pharmaceutical purposes; solvents for removing adhesive plasters; mercurial ointments; sarsaparilla for medical purposes; massage candles for therapeutic purposes; serotherapeutic medicines; siccatives [drying agents] for medical purposes; serums for medical purposes; syrups for pharmaceutical purposes; turpentine for pharmaceutical purposes; slug exterminating preparations; soporifics; dog washes [insecticides]; bicarbonate of soda for pharmaceutical purposes; salts for medical purposes; malt for pharmaceutical purposes; malted milk beverages for medical purposes; sunburn ointments; pharmaceutical preparations for treating sunburn; alloys of precious metals for dental purposes; sterilizing preparations; steroids; strychnine; sulfonamides [medicines]; animal washes [insecticides]; thermal water; thymol for pharmaceutical purposes; gentian for pharmaceutical purposes; digestives for pharmaceutical purposes; herbal teas for medicinal purposes; tobacco extracts [insecticides]; pharmaceutical preparations; phenol for pharmaceutical purposes; fennel for medical purposes; ferments for pharmaceutical purposes; enzyme preparations for veterinary purposes; chemical preparations for treating phylloxera; formic aldehyde for pharmaceutical purposes; moulding wax for dentists; phosphates for pharmaceutical purposes; fungicides; chemico-pharmaceutical preparations; chemical preparations for veterinary purposes; chemical preparations for medical purposes; chemical preparations for pharmaceutical purposes; quinine for medical purposes; chinoline for medical purposes; chloroform; extracts of hops for pharmaceutical purposes; medical preparations for slimming purposes; cattle washes [insecticides]; flowers of sulfur for pharmaceutical purposes; cellulose ethers for phar-

maceutical purposes; medicated candies; sugar for medical purposes; pharmaceutical preparations for skin care; rat poison; jalap.

10 – Obstetric apparatus; testing apparatus for medical purposes; anaesthetic apparatus; anaesthetic masks; arterial blood pressure measuring apparatus; hernia bandages; cupping glasses; soporific pillows for insomnia; bandages, elastic; dental burs; vaginal syringes; cases fitted for medical instruments; obstetric apparatus for cattle; veterinary apparatus and instruments; orthopaedic footwear; traction apparatus for medical purposes; hot air vibrators for medical purposes; bed vibrators; vibromassage apparatus; containers especially made for medical waste; basins for medical purposes; waterbeds for medical purposes; hair prostheses; artificial teeth; ear picks; galvanic belts for medical purposes; galvanic therapeutic appliances; baby feeding pacifiers; strait jackets; hot air therapeutic apparatus; gastroscopes; plaster bandages for orthopaedic purposes; apparatus for the treatment of deafness; feeding bottles; feeding bottle valves; feeding bottle teats; needles for medical purposes; suture needles; acupuncture needles; electric acupuncture instruments; artificial breasts; surgical sponges; defibrillators; mirrors for dentists; mirrors for surgeons; diagnostic apparatus for medical purposes; dialyzers; drainage tubes for medical purposes; medical guidewires; radiology screens for medical purposes; stockings for varices; elastic stockings for surgical purposes; electrodes for medical use; electrocardiographs; heart pacemakers; heating cushions, electric, for medical purposes; clips, surgical; protection devices against x-rays, for medical purposes; probes for medical purposes; corn knives; dental apparatus, electric; dental apparatus and instruments; teething rings; dentures; patient hoists; inhalers; injectors for medical purposes; incubators for babies; incubators for medical purposes; cannulae; catheters; quartz lamps for medical purposes; catgut; artificial limbs; enema apparatus for medical purposes; thermo-electric compresses [surgery]; compressors [surgical]; corsets for medical purposes; abdominal corsets; esthetic massage apparatus; dropper bottles for medical purposes; droppers for medical purposes; dentists' armchairs; armchairs for medical or dental purposes; blood testing apparatus; lasers for medical purposes; lamps for medical purposes; lancets; beds specially made for medical purposes; medical apparatus and instruments; spoons for administering medicine; lenses [intraocular prostheses] for surgical implantation; massage apparatus; gloves for massage; masks for use by medical personnel; uterine syringes; childbirth mattresses; furniture especially made for medical purposes; crutches; tips for crutches; breast pumps; instrument cases for use by doctors; air mattresses for medical purposes; air cushions for medical purposes; air pillows for medical purposes; knee bandages, orthopaedic; fingerstalls for medical purposes; thread, surgical; scissors for surgery; knives for surgical purposes; ambulance stretchers; stretchers,

wheeled; fumigation apparatus for medical purposes; operating tables; orthodontic appliances; orthopaedic articles; orthopaedic soles; orthopaedic belts; ophthalmometers; ophthalmoscopes; artificial eyes; pessaries; saws for surgical purposes; draw-sheets for sick beds; slings [support bandages]; hypodermic syringes; supports for flat feet; spittoons for medical purposes; cushions for medical purposes; pads for preventing pressure sores on patient bodies; pumps for medical purposes; appliances for washing body cavities; receptacles for applying medicines; maternity belts; belts, electric, for medical purposes; belts for medical purposes; condoms; balling guns; incontinence sheets; artificial jaws; contraceptives, non-chemical; radiological apparatus for medical purposes; resuscitation apparatus; apparatus and installations for the production of x-rays, for medical purposes; x-ray apparatus for medical purposes; x-ray photographs for medical purposes; radiotherapy apparatus; respirators for artificial respiration; surgical cutlery; urinals being vessels; scalpels; tongue scrapers; hearing aids; ear trumpets; ear plugs [hearing protection devices]; clothing especially for operating rooms; spirometers [medical apparatus]; sterile sheets, surgical; stethoscopes; arch supports for footwear; thermal packs for first aid purposes; thermometers for medical purposes; water bags for medical purposes; ice bags for medical purposes; trocars; radium tubes for medical purposes; blankets, electric, for medical purposes; filters for ultraviolet rays, for medical purposes; urethral probes; urethral syringes; urological apparatus and instruments; physical exercise apparatus for medical purposes; physiotherapy apparatus; surgical apparatus and instruments; surgical implants comprised of artificial materials; sterile sheets, surgical; boots for medical purposes; abdominal belts; suture materials; splints, surgical; syringes for injections; syringes for medical purposes; pins for artificial teeth; artificial skin for surgical purposes; apparatus for artificial respiration.

35 – Commercial information agency services; administrative processing of purchase orders; cost price analysis; auctioneering; accounting; market studies; opinion polling; psychological testing for the selection of personnel; organization of exhibitions for commercial or advertising purposes; organization of trade fairs; demonstration of goods; business research; providing business information; business appraisals; business investigations; business inquiries; business management assistance; marketing research; economic forecasting; business efficiency expert services; registration of written communications and data; presentation of goods on communication media, for retail purposes; compilation of information into computer databases; compilation of statistics; drawing up of statements of accounts; public relations; distribution of samples; import-export agency services; invoicing; commercial or industrial management assistance; business management assistance; commercial administration of the licensing of the goods and services of ot-

hers; business management consultancy; business management and organization consultancy; providing commercial information and advice for consumers in the choice of products and services; personnel recruitment; systemization of information into computer databases; business management consultancy; business organization consultancy; personnel management consultancy; modelling for advertising or sales promotion; writing of publicity texts; word processing; news clipping services; updating of advertising material; shop window dressing; financial auditing; arranging subscriptions to telecommunication services for others; payroll preparation; tax preparation; price comparison services; negotiation and conclusion of commercial transactions for third parties; procurement services for others [purchasing goods and services for other businesses]; secretarial services; shorthand; sponsorship search; employment agency services; publication of publicity texts; radio advertising; advertising by mail order; rental of advertising space; rental of advertising time on communication media; advertising agency services; publicity material rental; dissemination of advertising matter; layout services for advertising purposes; publicity; online advertising on a computer network; bill-posting; sales promotion for others; television advertising; data search in computer files for others.

41 – Academies [education]; providing training and educational examination for certification purposes; lending library services; mobile library services; publication of books; educational services; providing information in the field of education; nursery schools; rental of motion pictures; film production, other than advertising films; organization of exhibitions for cultural or educational purposes; arranging and conducting of workshops [training]; arranging and conducting of congresses; arranging and conducting of colloquiums; arranging and conducting of conferences; arranging and conducting of seminars; arranging and conducting of symposiums; arranging of beauty contests; organization of lotteries; arranging and conducting of sports events; gymnastic instruction; production of radio and television programmes; animal training; electronic desktop publishing; correspondence courses; health club services [health and fitness training]; microfilming; sign language interpretation; practical training [demonstration]; religious education; providing online electronic publications, not downloadable; writing of texts; boarding school education; translation; vocational guidance [education or training advice]; online publication of electronic books and journals; publication of texts, other than publicity texts; physical education.

44 – Midwife services; aromatherapy services; blood bank services; veterinary assistance; hair implantation; beautician services; wreath making; public bath services for hygiene purposes; landscape design; health centre services; aerial and surface spreading of

fertilizers and other agricultural chemicals; lawn care; pet grooming; animal grooming; health care; artificial insemination services; dentistry services; flower arranging; landscape gardening; beauty salon services; turkish bath services; hospital services; medical assistance; manicuring; massage; rehabilitation for substance abuse patients; weed killing; vermin exterminating for agriculture, aquaculture, horticulture and forestry; opticians' services; hairdressing; plastic surgery; horticulture; services of a psychologist; plant nursery services; tree surgery; gardening; sanatorium services; nursing home services; rental of sanitary installations; sauna services; farming equipment rental; solarium services; tattooing; animal breeding; telemedicine services; pharmacy advice; preparation of prescriptions by pharmacists; physiotherapy; chiropractic; in vitro fertilization services.

(260) AM 2024 123554 A  
(800) 1737392  
(151) 2023 05 26  
(891) 2023 05 26  
(731) Intervet International B.V.  
Wim de Körverstraat 35, NL-5831 AN  
Boxmeer, Netherlands  
(540)

**BRAVECTO**

(591) Red, purple  
(531) 27.05.17; 27.05.25; 29.01.12  
(511)  
5 – Medicines and pharmaceutical preparations for veterinary use.

(260) AM 2024 123559 A  
(800) 1737603  
(151) 2023 05 02  
(891) 2023 05 02  
(731) Sattarov Ibroxim Abdujabbor o'g'li  
4a house, Shoir street, Uchtepa district,  
Tashkent city, Uzbekistan  
(540)

**DELY**

(591) Black, white  
(531) 27.05.17  
(511)  
3 – Hair removal preparations; depilatories; petroleum jelly for cosmetic purposes; cotton wool for cosmetic purposes; greases for cosmetic purposes; cosmetic pencils; cosmetic dyes; cosmetic creams; lotions for cosmetic purposes; beauty masks; oils for cosmetic purposes; almond milk for cosmetic purposes; cosmetic kits; cosmetic sets; cotton buds for cosmetic purposes; hydrogen peroxide for cosmetic purposes; cosmetic preparations for baths, cosmetic preparations for skin care.

(260) AM 2024 123697 A  
(800) 1737888  
(151) 2023 05 11  
(891) 2023 05 11  
(731) İNTER SPOR DIŞ TİCARET ANONİM  
ŞİRKETİ  
ŞERİFALİ MAH/SEMT KIBLE SK. 20 2,  
Ümraniye, İstanbul, Türkiye  
(540)

**Voit**

(591) Black, white  
(531) 27.05.17  
(511)  
28 – Games and toys; arcade video game machines; game apparatus and machines for use with an external display screen and monitor, including those coin-operated; toys for animals; toys for outdoor playgrounds, parks and game parks; gymnastic and sporting articles not included in other classes; fishing tackle, artificial fishing bait, decoys for hunting and fishing; artificial Christmas trees, ornaments for Christmas trees, artificial snow for Christmas trees, rattles (playthings), novelties for parties, novelty toys for playing jokes and for parties, paper party hats.

(260) AM 2024 123698 A  
(800) 1737894  
(151) 2023 06 09  
(891) 2023 06 09  
(731) Ferrara Candy Company  
404 W. Harrison Street, Chicago IL 60607,  
USA  
(540)

**RUNTS**

(591) Black, white  
(511)  
30 – Candy.

(260) AM 2024 123699 A  
(800) 1737900  
(151) 2023 01 25  
(891) 2023 01 25  
(731) Euro Games Technology Ltd.  
4, "Maritsa" Str., "Vranya-Lozen-Triugulnika",  
BG-1151 Sofia, Bulgaria  
(540)

**BLUE  
COLLECTION**

(591) Blue, silver, white and black  
(531) 27.05.01; 27.05.03; 27.05.09; 29.01.14  
(511)  
9 – Software; computer gaming software; computer software packages; computer operating system soft-

ware; computer software, recorded; software drivers; virtual reality software; games software; entertainment software for computer games; computer programs for network management; operating computer software for main frame computers; monitors (computer hardware); computer hardware; apparatus for recording images; monitors (computer programs); computer game programs; computer programs for recorded games; apparatus for recording, transmission or reproduction of sound or images; communications servers [computer hardware]; electronic components for gambling machines; computer application software featuring games and gaming; computer software for the administration of on-line games and gaming; computer hardware for games and gaming; hardware and software for gambling, gambling machines, gambling games on the Internet and via telecommunication network.

28 – Gaming machines for gambling; chips for gambling; mah-jong; arcade games; gambling machines operating with coins, notes and cards; games; electronic games; parlor games; gaming chips; gaming tables; slot machines [gaming machines]; LCD game machines; slot machines and gaming devices; coin-operated amusement machines; roulette chips; poker chips; chips and dice [gaming equipment]; equipment for casinos; roulette tables; gaming roulette wheels; casino games; automats and gambling machines; coin-operated machines and / or electronic coin-operated machines with or without the possibility of gain; boxes for coin-operated machines, slot machines and gaming machines; electronic or electrotechnical gaming devices, automats and machines, coin-operated machines; housings for coin-operated machines, gaming equipment, gaming machines, machines for gambling; electropneumatic and electrical gambling machines (slot machines).

41 – Gambling; services related to gambling; gaming services for entertainment purposes; casino, gaming and gambling services; training in the development of software systems; provision of equipment for gambling halls; providing casino equipment [gambling]; gaming machine entertainment services; providing casino facilities [gambling]; halls with gaming machines; amusement arcade services; games equipment rental; rental of gaming machines; providing amusement arcade services; rental of gaming machines with images of fruits; editing or recording of sounds and images; sound recording and video entertainment services; hire of sound reproducing apparatus; provision of gaming equipment for casinos; providing of casino facilities; online gambling services; casino management services; operation of gaming establishments, gaming halls, internet casinos, online gambling sites.

(260) AM 2024 123700 A

(800) 1737913

(151) 2023 06 05

(891) 2023 06 05

(731) Apple Inc.

One Apple Park Way, Cupertino CA 95014,  
USA

(540)

## OPTIC ID

(591) Black, white

(511)

42 – Computer software consultancy; providing non-downloadable application development software; providing non-downloadable software used in developing other software applications; providing information relating to computer technology; providing information relating to computer programming; providing information relating to computer programs; providing computer hardware and software information online; providing information in the field of computer technology systems used in biometrics.

(260) AM 2024 123701 A

(800) 1737964

(151) 2023 03 24

(891) 2023 03 24

(731) BERLIN-CHEMIE Aktiengesellschaft

Glienicker Weg 125, 12489 Berlin, Germany

(540)

## BALKATI

(591) Black, white

(511)

3 – Balms; cosmetics; dentifrices; herbal extracts for cosmetic purposes; lavender oil; mouthwashes; shampoos; vaginal washes.

5 – Pharmaceuticals; dietetic substances adapted for medical use.

(260) AM 2024 123702 A

(800) 1737979

(151) 2023 04 18

(891) 2023 04 18

(731) Henkel AG & Co. KgaA

Henkelstrasse 67, 40589 Düsseldorf, Germany

(540)

# СЬОСС

(591) Black, white

(531) 28.05

(511)

3 – Non-medicated cosmetics and toiletry preparations; preparations for the conditioning, cleaning, tinting, dyeing, bleaching, fixing and waving of hair, hair lotions and shampoos for cosmetic purposes.

(260) AM 2024 123746 A  
 (800) 1738105  
 (151) 2023 05 30  
 (891) 2023 05 30  
 (731) Obshchestvo s ogranichennoy otvetstvennostyu "Real Elektro"  
 ul. Yuzhnoportovaya, d. 34, str. 2, et. 1,  
 pomesch. I, komn. 19-27, vn. ter. g.,  
 munitsipalnyi okrug Pechatniki, RU-115088  
 Moscow, Russian Federation

(540)



(591) Black, white  
 (531) 01.03.02; 27.03.12  
 (511)

9 – Anti-interference devices [electricity]; transformers [electricity]; distribution boxes [electricity]; branch boxes [electricity]; sheaths for electric cables; collectors, electric; switchboxes [electricity]; commutators; counters; condensers [capacitors]; conductors, electric; electricity conduits; circuit closers; connectors [electricity]; junction boxes [electricity]; switchboards; contacts, electric; regulating apparatus, electric; converters, electric; monitoring apparatus, other than for medical purposes; electric apparatus for commutation; step-up transformers; switches, electric; limiters [electricity]; plugs, sockets and other contacts [electric connections]; current rectifiers; cell switches [electricity]; circuit breakers; distribution boards [electricity]; distribution consoles [electricity]; electric loss indicators; cables, electric; ducts [electricity]; couplings, electric; relays, electric; wires, electric; high-voltage apparatus; identification threads for electric wires; identification sheaths for electric wires; inverters [electricity]; batteries, electric; accumulators, electric; resistances, electric; wire connectors [electricity]; voltmeters; materials for electricity mains [wires, cables]; electric door bells; couplers [data processing equipment]; light dimmers [regulators], electric; junction sleeves for electric cables; electrified rails for mounting spot lights; coaxial cables; covers for electric outlets; voltage surge protectors; electrical adapters; voltage stabilizers; voltage converters.

11 – Lighting apparatus and installations; electric lamps; lamps; lanterns for lighting; lamp mantles; discharge tubes, electric, for lighting; chandeliers; ceiling lights; gas lamps; torches for lighting; lighting apparatus for vehicles; lampshades; street lamps; light-emitting diodes [LED] lighting apparatus.

42 – Architectural services; architectural consultancy services; construction drafting; design of interior decor; technical project studies; engineering.

(260) AM 2024 123747 A  
 (800) 1738132  
 (151) 2023 05 12  
 (891) 2023 05 12  
 (731) SKIS ROSSIGNOL – CLUB ROSSIGNOL  
 Société par actions simplifiée  
 98 rue Louis Barran, F-38430 Saint-Jean-De-Moirans, France  
 (540)

## ROSSIGNOL

(591) Black, white  
 (511)  
 12 – Vehicles; apparatus for locomotion by land, air or water and their structural parts and accessories included in this class.

(260) AM 2024 123748 A  
 (800) 1738181  
 (151) 2023 06 07  
 (891) 2023 06 07  
 (731) Keeta, Inc.  
 730 Arizona Ave., Suite 200, Santa Monica  
 CA 90401, USA  
 (540)

## KEETA

(591) Black, white  
 (511)  
 36 – ATM banking services; blockchain-based payment verification services; electronic transfer of funds; electronic transfers of money; financial transaction services, namely, providing secure commercial transactions and payment options; merchant services, namely, payment transaction processing services; on-line banking services; online banking services accessible by means of downloadable mobile applications; payment processing services in the field of credit card, debit card, electronic funds, wire, ACH, SWIFT, and digital payments; payment verification services using distributed ledger technology (DLT); providing electronic processing of electronic funds transfer, ACH, credit card, debit card, electronic check and electronic payments; providing electronic processing of ACH and credit card transactions and electronic payments via a global computer network; financial services, namely, providing electronic transfer of a virtual currency for use by members of an online community via a global computer network.

(260) AM 2024 123749 A  
 (800) 1738182  
 (151) 2023 06 08  
 (891) 2023 06 08  
 (731) Keeta, Inc.  
 730 Arizona Ave., Suite 200, Santa Monica  
 CA 90401, USA



(540)

**KEETA**

(591) Black, white

(511)

9 – Downloadable computer communications software to allow customers to access bank account information and transact bank business; downloadable computer software for managing and verifying cryptocurrency transactions on a blockchain; downloadable computer software for managing cryptocurrency transactions using blockchain technology; downloadable computer software for managing electronic payment transactions using distributed ledger technology (DLT); downloadable computer software, namely, an electronic financial platform that accommodates multiple types of payment and debt transactions in an integrated mobile phone, PDA, and web-based environment; downloadable mobile applications for managing bank accounts, sending and receiving funds or money; downloadable software for managing bank accounts and sending or receiving funds or money.

(260) AM 2024 123750 A

(800) 1738291

(151) 2023 05 23

(891) 2023 05 23

(731) LTD "VALENTA-INTELLEKT"

ul. Ryabinovaya, d.26, str.10, k.6-26,

RU-121471 Moscow, Russian Federation

(540)

**ДОРСУМИО**

(591) Black, white

(531) 28.05

(511)

5 – Acaricides; aconitine; alkaloids for medical purposes; alginates for pharmaceutical purposes; algicides; aldehydes for pharmaceutical purposes; dental amalgams of gold; dental amalgams; amino acids for veterinary purposes; amino acids for medical purposes; analgesics; anaesthetics; antibiotics; antidepressants; antiseptics; medicine cases, portable, filled; first-aid boxes, filled; aluminium acetate for pharmaceutical purposes; acetates for pharmaceutical purposes; germicides; oxygen cylinders, filled, for medical purposes; balms for medical purposes; bandages for dressings; diagnostic biomarker reagents for medical purposes; biocides; bracelets impregnated with insect repellent; bromine for pharmaceutical purposes; paper for mustard plasters; fly catching paper; reagent paper for veterinary purposes; reagent paper for medical purposes; mothproofing paper; petroleum jelly for medical purposes; vaccines; oxygen baths; antiseptic cotton; aseptic cotton; absorbent cotton; wadding for medical purposes; cotton for medical purposes; dietetic substances adapted for medical use; radiological

contrast substances for medical purposes; nutritive substances for microorganisms; radioactive substances for medical purposes; bismuth subnitrate for pharmaceutical purposes; melissa water for pharmaceutical purposes; seawater for medicinal bathing; mineral waters for medical purposes; thermal water; dietary fibre; moulding wax for dentists; gases for medical purposes; guaiacol for pharmaceutical purposes; massage gels for medical purposes; sexual stimulant gels; haematogen; haemoglobin; hydrastine; hydrastinine; glycerine for medical purposes; glycerophosphates; glucose for medical purposes; gentian for pharmaceutical purposes; hormones for medical purposes; mustard for pharmaceutical purposes; mustard plasters; mud for baths; medicinal mud; contraceptive sponges; gamboge for medical purposes; gurgun balsam for medical purposes; deodorizers for litter trays; air deodorizing preparations; deodorants, other than for human beings or for animals; deodorants for clothing and textiles; diastase for medical purposes; digitalin; vitamin supplement patches; mineral food supplements; nutritional supplements; albumin dietary supplements; dietary supplements for animals; yeast dietary supplements; alginate dietary supplements; glucose dietary supplements; casein dietary supplements; lecithin dietary supplements; linseed oil dietary supplements; propolis dietary supplements; protein dietary supplements; protein supplements for animals; royal jelly dietary supplements; pollen dietary supplements; wheat germ dietary supplements; linseed dietary supplements; acai powder dietary supplements; dietary supplements with a cosmetic effect; enzyme dietary supplements; yeast for pharmaceutical purposes; gelatine for medical purposes; cod liver oil; isotopes for medical purposes; immunostimulants; insecticides; iodine for pharmaceutical purposes; iodides for pharmaceutical purposes; alkaline iodides for pharmaceutical purposes; iodoform; calomel [fungicide]; cream of tartar for pharmaceutical purposes; tartar for pharmaceutical purposes; camphor for medical purposes; capsules for medicines; cachets for pharmaceutical purposes; capsules made of dendrimer-based polymers, for pharmaceuticals; capsules with medicines; haemostatic pencils; wart pencils; caustic pencils; carbolineum [parasiticide]; caustics for pharmaceutical purposes; cachou for pharmaceutical purposes; quassia for medical purposes; quebracho for medical purposes; oxygen for medical purposes; gallic acid for pharmaceutical purposes; adhesives for dentures; surgical glues; stem cells for veterinary purposes; stem cells for medical purposes; cocaine for medical purposes; collagen for medical purposes; collodion for pharmaceutical purposes; corn rings for the feet; cannabis bark for medical purposes; medicated sweets; angostura bark for medical purposes; barks for pharmaceutical purposes; cedar wood for use as an insect repellent; condurango bark for medical purposes; croton bark; mangrove bark for pharmaceutical purposes; myrobalan bark for

pharmaceutical purposes; quinquina for medical purposes; medicated animal feed; medicinal roots; rhubarb roots for pharmaceutical purposes; lint for medical purposes; starch for dietetic or pharmaceutical purposes; creosote for pharmaceutical purposes; blood for medical purposes; biological tissue cultures for veterinary purposes; biological tissue cultures for medical purposes; cultures of microorganisms for medical or veterinary use; curare; dental lacquer; liquorice for pharmaceutical purposes; milk sugar for pharmaceutical purposes; adhesive plasters; medicines for alleviating constipation; adhesive tapes for medical purposes; lecithin for medical purposes; lotions for veterinary purposes; medicated hair lotions; lotions for pharmaceutical purposes; medicated after-shave lotions; personal sexual lubricants; lupulin for pharmaceutical purposes; magnesia for pharmaceutical purposes; liniments; ointments for pharmaceutical purposes; sunburn ointments; mercurial ointments; frostbite salve for pharmaceutical purposes; gauze for dressings; medicinal oils; mustard oil for medical purposes; camphor oil for medical purposes; castor oil for medical purposes; oil of turpentine for pharmaceutical purposes; dill oil for medical purposes; dental mastics; dental abrasives; dental impression materials; teeth filling material; dressings, medical; surgical dressings; drugs for medical purposes; medicines for veterinary purposes; serotherapeutic medicines; medicines for human purposes; medicines for dental purposes; menthol; medicinal drinks; centrally acting muscle relaxants; moleskin for medical purposes; almond milk for pharmaceutical purposes; powdered milk for babies; royal jelly for pharmaceutical purposes; milk ferments for pharmaceutical purposes; Irish moss for medical purposes; flour for pharmaceutical purposes; linseed meal for pharmaceutical purposes; fish meal for pharmaceutical purposes; fly glue; antibacterial soap; disinfectant soap; medicated soap; freeze-dried meat adapted for medical purposes; mint for pharmaceutical purposes; dietetic beverages adapted for medical purposes; malted milk beverages for medical purposes; injectable dermal fillers; bone void fillers comprised of living tissues; narcotics; medicinal infusions; tincture of iodine; eucalyptol for pharmaceutical purposes; tinctures for medical purposes; opium; opodeldoc; decoctions for pharmaceutical purposes; antiparasitic collars for animals; cotton swabs for medical purposes; stick liquorice for pharmaceutical purposes; sulfur sticks [disinfectants]; pastilles for pharmaceutical purposes; medicated toothpaste; pectin for pharmaceutical purposes; pepsins for pharmaceutical purposes; peptones for pharmaceutical purposes; hydrogen peroxide for medical purposes; pesticides; food for babies; leeches for medical purposes; blood plasma; nicotine patches for use as aids to stop smoking; eyepatches for medical purposes; poultices; compresses; scapulars for surgical purposes; babies' diapers; diapers for pets; swim diapers, reusable, for babies; swim diapers, disposable, for babies; diapers for in-

continence; diaper changing mats, disposable, for babies; bunion pads; breast-nursing pads; pomades for medical purposes; powder of cantharides; pyrethrum powder; antihistamines; anti-uric preparations; bacterial preparations for medical and veterinary use; bacteriological preparations for medical and veterinary use; balsamic preparations for medical purposes; albuminous preparations for medical purposes; biological preparations for veterinary purposes; biological preparations for medical purposes; veterinary preparations; bismuth preparations for pharmaceutical purposes; vitamin preparations; diagnostic preparations for veterinary purposes; diagnostic preparations for medical purposes; douching preparations for medical purposes; bath preparations for medical purposes; therapeutic preparations for the bath; preparations for treating of pain syndrome; haemorrhoid preparations; preparations for callouses; lice treatment preparations [pediculicides]; acne treatment preparations; preparations to facilitate teething; preparations for the treatment of burns; fumigation preparations for medical purposes; opotherapy preparations; air purifying preparations; bronchodilating preparations; preparations for reducing sexual activity; sterilizing preparations; soil-sterilizing preparations; corn remedies; pharmaceutical preparations for treating dandruff; preparations for destroying vermin; preparations for destroying noxious animals; herbicides; preparations for destroying dry rot fungus; larvae exterminating preparations; fly destroying preparations; preparations for destroying mice; slug exterminating preparations; pharmaceutical preparations for skin care; contact lens cleaning preparations; preparations of microorganisms for medical or veterinary use; lime-based pharmaceutical preparations; styptic preparations; medicated eye-washes; medicinal hair growth preparations; nutraceutical preparations for therapeutic or medical purposes; opiates; anticryptogamic preparations; aloe vera preparations for pharmaceutical purposes; preparations of trace elements for human and animal use; sulfonamides [medicines]; preparations, stimulating the central nervous system; preparations for the treatment of depressive disorders; preparations for increasing resistance to stress; pharmaceutical preparations for the treatment of central nervous system [CNS] diseases; pharmaceutical preparations for treating muscle spasms; pharmaceutical preparations for muscle tone reduction; pharmaceutical preparations; pharmaceutical preparations in the form of tablets; pharmaceutical preparations, namely muscle relaxants; pharmaceutical preparations for treating spastic state of skeletal muscle caused by neurological diseases; pharmaceutical preparations for nervous system reinforcement; pharmaceutical preparations for treating sunburn; enzyme preparations for veterinary purposes; phytotherapy preparations for medical purposes; chemico-pharmaceutical preparations; chemical preparations for veterinary purposes; chemical preparations for the diagnosis of pregnancy; chemical preparations for medical

purposes; chemical preparations for treating diseases affecting cereal plants; chemical preparations for treating wheat blight; chemical preparations for treating diseases affecting vine plants; chemical preparations for treating mildew; chemical preparations for treating phylloxera; chemical preparations for pharmaceutical purposes; chilblain preparations; collyrium; lead water; chemical conductors for electrocardiograph electrodes; albuminous foodstuffs for medical purposes; dietetic foods adapted for medical purposes; by-products of the processing of cereals for dietetic or medical purposes; homogenized food adapted for medical purposes; freeze-dried food adapted for medical purposes; pharmaceuticals; sanitary towels; panty liners [sanitary]; propolis for pharmaceutical purposes; pearl powder for medical purposes; radium for medical purposes; hydrated chloral for pharmaceutical purposes; solvents for removing adhesive plasters; vaginal washes for medical purposes; solutions for contact lenses; chemical reagents for medical or veterinary purposes; gum for medical purposes; rubber for dental purposes; chewing gum for medical purposes; nicotine gum for use as an aid to stop smoking; insect repellent incense; repellents for dogs; tissues impregnated with pharmaceutical lotions; sarsaparilla for medical purposes; sugar for medical purposes; crystallized rock sugar for medical purposes; asthmatic tea; fumigating sticks; massage candles for therapeutic purposes; linseed for pharmaceutical purposes; tobacco-free cigarettes for medical purposes; syrups for pharmaceutical purposes; turpentine for pharmaceutical purposes; milking grease; greases for veterinary purposes; greases for medical purposes; lacteal flour for babies; infant formula; soporifics; bicarbonate of soda for pharmaceutical purposes; bath salts for medical purposes; salts for mineral water baths; salts for medical purposes; potassium salts for medical purposes; sodium salts for medical purposes; smelling salts; mineral water salts; malt for pharmaceutical purposes; semen for artificial insemination; alcohol for pharmaceutical purposes; medicinal alcohol; alloys of precious metals for dental purposes; ergot for pharmaceutical purposes; cooling sprays for medical purposes; antibacterial handwashes; adjuvants for medical purposes; astringents for medical purposes; vermifuges; disinfectants; disinfectants for hygiene purposes; disinfectants for chemical toilets; appetite suppressants for medical purposes; medical preparations for slimming purposes; parasiticides; mouthwashes for medical purposes; medicated dentifrices; febrifuges; depuratives; medicines; animal washes [insecticides]; detergents for medical purposes; cattle washes [insecticides]; dog washes [insecticides]; insecticidal veterinary washes; vesicants; purgatives; remedies for perspiration; remedies for foot perspiration; chemical contraceptives; antiparasitic preparations; sedatives; laxatives; tonics [medicines]; medicated toiletry preparations; digestives for pharmaceutical purposes; nervines; hypnotic sedatives; bouillons for bacterio-

logical cultures; steroids; headache relief sticks; strychnine; suppositories; serums; tanning pills; appetite suppressant pills; slimming pills; jujube, medicated; antioxidant pills; sanitary tampons; vulnerary sponges; thymol for pharmaceutical purposes; smoking herbs for medical purposes; medicinal herbs; transplants [living tissues]; surgical implants comprised of living tissues; pants, absorbent, for incontinence; sanitary panties; babies' diaper-pants; charcoal for pharmaceutical purposes; fennel for medical purposes; porcelain for dental prostheses; phenol for pharmaceutical purposes; enzymes for veterinary purposes; enzymes for medical purposes; formic aldehyde for pharmaceutical purposes; phosphates for pharmaceutical purposes; fungicides; quinine for medical purposes; chinoline for medical purposes; diabetic bread adapted for medical use; chloroform; flowers of sulfur for pharmaceutical purposes; cement for animal hooves; bone cement for surgical and orthopaedic purposes; dental cements; medicinal tea; herbal teas for medicinal purposes; insecticidal animal shampoos; medicated shampoos; medicated shampoos for pets; pediculicidal shampoos; medicated dry shampoos; pre-filled syringes for medical purposes; eucalyptus for pharmaceutical purposes; herbal extracts for medical purposes; plant extracts for pharmaceutical purposes; tobacco extracts [insecticides]; extracts of hops for pharmaceutical purposes; elixirs [pharmaceutical preparations]; ethers for pharmaceutical purposes; esters for pharmaceutical purposes; cellulose esters for pharmaceutical purposes; cellulose ethers for pharmaceutical purposes; rat poison; poisons; bacterial poisons; jalap.

(260) AM 2024 123784 A

(800) 1611649

(151) 2021 07 30

(891) 2023 06 12

(731) SAMSUNG ELECTRONICS CO., LTD.

129, Samsung-ro, Yeongtong-gu, Suwon-si  
Gyeonggi-do, Republic of Korea

(540)

## BESPOKE Jet

(591) Black, white

(531) 27.05.01

(511)

7 – Robotic vacuum cleaners; vacuum cleaners; vacuum cleaner bags; dish washing machines for household purposes; washing machines for household purposes.

(260) AM 2024 123786 A

(800) 1739021

(151) 2023 05 11

(891) 2023 05 11

(731) INOINVEST s. r. o.

Tomášikova 30, SK-821 01 Bratislava, Slovakia

(540)

**INO-HUB Energy**

(591) Black, white

(511)

1 – Battery electrolytes.

4 – Fuel; fuel gas; carburants; additives, non-chemical, to motor fuel; electrical energy; natural gas; hydrocarbon fuels; fuel for motor vehicles; fuels and illuminants; electrical energy from renewable sources.

9 – Batteries, electric, for vehicles; battery jars; battery boxes; anode batteries; anti-interference devices (electricity); transformers (electricity); distribution boxes (electricity); terminals (electricity); branch boxes (electricity); electricity conduits; connectors (electricity); junction boxes (electricity); regulating apparatus, electric; limiters (electricity); cell switches (electricity); distribution boards (electricity); distribution consoles (electricity); ducts (electricity); control panels (electricity); battery chargers; grids for batteries; inductors (electricity); armatures (electricity); inverters (electricity); measuring instruments; batteries, electric; accumulators, electric; voltage regulators for vehicles; materials for electricity mains (wires, cables); solar batteries; voltage surge protectors; step-up transformers; electrical adapters; solar panels for the production of electricity; charging stations for electric vehicles; portable power chargers; electric voltage transformers; power controllers; alternator rectifiers; fuel cells; power units (batteries); high voltage transformers; voltage-to-current converters; power conditioning apparatus; coils, electric; lithium-ion batteries; electric loss indicators; power packs (batteries); ammeters; galvanometers; ohmmeters; oscillographs; voltage converters; high voltage reactors; electric sockets; covers for electric outlets; power distributors (electrical); autotransformers; solar battery chargers; power units (transformers); electrical power distribution block; electricity storage apparatus; battery packs; direct current converters; high-frequency apparatus; frequency meters; frequency extenders; subwoofers; battery adapters; batteries; rechargeable batteries; electronic transformers; uninterruptible power supply apparatus (battery); battery starters; high voltage multipliers; voltage limiters; electric current switches; voltage regulators; high-frequency switching power supplies; power line conditioners; solar batteries for industrial use; electric power supply units; battery separators; car batteries; batteries for electric vehicles; wires, electric; cables, electric; galvanic cells; plates for batteries; batteries for lighting; time switches, automatic; lightning conductors; telerrupters; circuit breakers; converters, electric; comparators; electric apparatus for commutation; commutators; current rectifiers; amplifiers for servo motors; anodes; anti-cathodes; holders for electric coils; collectors, electric; condensers (capacitors); contacts, electric; electric linear actuators; resistances, electric; couplings, electric; conductors, electric; discharge tubes, electric,

other than for lighting; electric plugs; choking coils (impedance); cathodes; fuses; semi-conductors; rheostats; switchboxes (electricity); switches, electric; amplifying tubes; identification sheaths for electric wires; copper wire, insulated; magnetic wires; sheaths for electric cables; fuse wire; connections for electric lines; junction sleeves for electric cables; wire connectors (electricity); identification threads for electric wires; printed circuit boards; wafers for integrated circuits; integrated circuits; printed circuits; scientific research and laboratory apparatus, educational apparatus and simulators; apparatus and instruments for controlling electricity; apparatus and instruments for accumulating and storing electricity; apparatus and instruments for switching electricity; electric current control devices; electric power distribution apparatus; power-line transmission apparatus; high frequency switches; chargers for electric accumulators; batteries for vehicles; voltage surge suppressors; static voltage regulators; voltage stabilizers; photovoltaic apparatus and installations for generating solar electricity; battery charging devices for motor vehicles; photovoltaic installations for generating electricity (photovoltaic power plants); electronic power controllers; electronic power supplies; electrical charge controllers; mains chargers; fuel cell electrodes; DC input power supplies; static grounding systems and apparatus; lithium batteries; electronic load modules; apparatus for controlling static electricity; AC/DC power supplies; high-voltage power supplies; rechargeable electric batteries; lithium secondary batteries; AC/DC inverters; automatic transfer switches; DC/AC inverters; solar-powered rechargeable batteries; nickel-cadmium batteries; electrical cells and batteries; uninterruptible electrical power supplies; apparatus for measuring, monitoring and analysing electricity consumption; ionization apparatus not for the treatment of air or water; cathodic anti-corrosion apparatus; photodiodes; photovoltaic modules; photovoltaic inverters; calibrated photovoltaic reference cells; battery preheaters; apparatus for monitoring electrical energy consumption; electronic docking stations; low-voltage power supplies; load banks; battery terminals; ultracapacitors for energy storage; electronic components; electric-car charger; diagnostic apparatus, not for medical purposes; apparatus and instruments for physics; universal disturbance analysers; electric power analysers; low power microcontrollers; phase indicators; inspecting apparatus and instruments; computerized vehicle engine analysers; wireless controllers to remotely monitor and control the function and status of other electrical, electronic, and mechanical devices or systems; wireless controllers to remotely monitor and control the function and status of security systems; electric control installations; portable power supplies (rechargeable batteries).

35 – Business management assistance; business inquiries; import-export agency services; business management and organization consultancy; business manage-

ment consultancy; commercial or industrial management assistance; business efficiency expert services; business appraisals; advertising; business research; advisory services for business management; personnel recruitment; administrative services for the relocation of businesses; price comparison services; commercial administration of the licensing of the goods and services of others; outsourcing services (business assistance); commercial intermediation services; business management for freelance service providers; business project management services for construction projects; consultancy regarding public relations communication strategies; competitive intelligence services; market intelligence services; interim business management; data processing services (office functions); business management of logistics for others; business planning consultancy; business consultancy and advisory services; business management organisation; business assistance relating to the establishment of franchises; outsourcing services in the nature of arranging service contracts for others; business succession planning; business administration in the field of transport and delivery; business risk management; business services relating to the establishment of businesses; assistance in business management within the framework of a franchise contract; business administration; demonstration of goods; commercial management; business merger services; professional business consultancy; business representative services; outsourced administrative management for companies; help in the management of business affairs or commercial functions of an industrial or commercial enterprise; business management of petrol stations (for others); corporate management assistance; business management in the field of transport and delivery; business intermediary services relating to the matching of various professionals with clients; negotiation of business contracts for others; business management planning; business management supervision; business assistance; assistance and consultancy services in the field of business management of companies in the energy sector; import-export agencies in the field of energy; assistance to industrial enterprises in the conduct of their business; business assistance relating to franchising; assistance in franchised commercial business management; business project management; business records keeping; updating of advertising material; targeted marketing; layout services for advertising purposes; web indexing for commercial or advertising purposes; marketing; online advertising on a computer network; website traffic optimisation; sales promotion for others; advertising agency services; radio advertising; telemarketing services; television advertising; outdoor advertising; sponsorship search; strategic business planning; administration relating to business appraisal; business administration assistance; business assistance, management and administrative services; human resources management; personnel placement and recruitment; business management assistance in

the field of franchising; advisory services relating to business analysis; administrative services relating to referrals for insurance agents; administrative services relating to referrals for general building contractors; billing services in the field of energy; business administration services for the processing of sales made on a global computer network; energy price comparison services; business meeting planning; business management; supply chain management services; business administration services in the field of transportation; electricity meter reading for billing purposes; outsourcing services in the field of business operations; customer relationship management; business management services relating to electronic commerce; business management and consultancy services; business process management; procurement of contracts concerning energy supply; cost price analysis; preparation of business profitability studies; business profit analysis; business assistance relating to franchising; office administration services (for others).

36 – Actuarial services; financial evaluation (insurance, banking, real estate); financial analysis; financial consultancy; debt advisory services; financial research; consultancy services relating to corporate finance; financial advisory services relating to assets management; research services relating to investment; capital investment consultation; financial investment analysis and stock research; actuarial services relating to financial transactions; consultancy concerning financing of energy projects; investment analysis; provision of financial information for professionals in the field of portfolio management; financial analysis and research services; securities advisory services; credit inquiry and consultation; financial evaluation; investment consultancy; financial analysis services relating to investments; consultancy services relating to the financing of civil works and infrastructure projects; financial evaluation and analysis; financial advice in the field of franchising.

42 – Material testing; engineering; testing of new products; materials testing and evaluation; professional consultancy relating to energy efficiency in buildings; advisory services relating to material testing; industrial testing; technical testing services; inspection of motor land vehicles (for roadworthiness); testing of apparatus in the field of electrical engineering for certification purposes; testing of apparatus in the field of electrical engineering; design and testing for new product development; product quality evaluation; quality assessment; evaluation of product design; quality checking and testing; quality control of services; quality control of goods and services; inspection of goods for quality control; design and testing of new products; industrial testing of engineering works; conducting of quality control tests; quality control and authentication services; quality control testing; product quality testing; product testing; research in the field of physics; environmental assessment services; analysis

of product development; analysis of product design; providing technical advice relating to energy-saving measures; provision of information concerning research and technical project studies relating to the use of natural energy; conducting research and technical project studies relating to the use of natural energy; engineering services relating to energy supply systems; engineering services in the field of energy technology; design and development of software for control, regulation and monitoring of solar energy systems; design and development of energy management software; analysis and testing services relating to electrical engineering apparatus; design and development of energy distribution networks; analysis and evaluation of product design; analysis and evaluation of product development; technical design services relating to electricity plants; technological analysis relating to energy and power needs of others; technical measuring and testing; consultancy relating to technological services in the field of power and energy supply; development of energy and power management systems; design and development of regenerative energy generation systems.

---

(260) AM 2024 123832 A

(800) 1740148

(151) 2023 05 08

(891) 2023 05 08

(731) Xiamen Milesight Iot Co., Ltd.

401, Building No.37, Xixishanwei Road,  
Software Park Phase III, Torch Development  
Zone for High Technology Industries, Jimei  
District, Xiamen, Fujian, China

(540)



(591) Black, white

(531) 27.05.01

(511)

9 – Chronographs [time recording apparatus]; mechanisms for coin-operated apparatus; automatic measuring instruments; electronic notice boards; navigational instruments; network communication devices; radios; optical communication equipment; video telephones; intercommunication apparatus; switchboards; network routers; wireless routers; security surveillance robots; camcorders; video surveillance apparatus; thermal imaging cameras; detectors; measuring instruments; audiovisual teaching apparatus; time switches, automatic; integrated circuits; sensors; electronic numeric displays; climate control digital thermostats; electric sockets; alarms; theft prevention installations, electric; charging stations for electric vehicles.

(260) AM 2024 123837 A

(800) 1740300

(151) 2023 06 13

(891) 2023 06 13

(731) TOYOTA MOTOR EUROPE, en abrégé TME  
Avenue du Bourget 60, B-1140 Bruxelles,  
Belgium

(540)



(591) Black, white

(531) 27.05.01

(511)

12 – Automobiles; land vehicles; electric vehicles; mobility vehicles.

---

(260) AM 2024 123839 A

(800) 1740389

(151) 2023 05 17

(891) 2023 05 17

(731) Obshchestvo s ogranichennoy otvetstvennostiyu  
"Ines Treid"

ul. Mosfilmovskaya, 74B, et\pom\kom 8\50\1,  
RU-119192 Moscow, Russian Federation

(540)



(591) Black, white

(531) 27.05.02

(511)

3 – Abrasives; amber [perfume]; descaling preparations for household purposes; antistatic preparations for household purposes; aromatics [essential oils]; air fragrancing preparations; cake flavourings [essential oils]; flavourings for beverages [essential oils]; food flavourings [essential oils]; breath freshening sprays; canned pressurized air for cleaning and dusting purposes; balms, other than for medical purposes; lip glosses; polishing stones; abrasive paper; emery paper; polishing paper; petroleum jelly for cosmetic purposes; shoe polish; cobblers' wax; cotton wool for cosmetic purposes; sachets for perfuming linen; drying agents for dishwashing machines; adhesives for cosmetic purposes; scented water; Javelle water; lavender water; toilet water; wax for parquet floors; floor wax; non-slipping wax for floors; depilatory wax; moustache wax; tailors' wax; creams for leather; polish for furniture and flooring; shoemakers' wax; polishing wax; massage gels, other than for medical purposes; heliotropine; dental bleaching gels; geraniol; makeup; deodorants for pets; deodorants for human beings or for animals; depilatory preparations; air fragrance reed diffusers; scented wood; perfumes; non-slipping liquids for floors; windscreen cleaning liquids; greases for cosmetic purposes; volcanic ash for cleaning; perfumery; decorative transfers for cosmetic purposes.

ses; ionone [perfumery]; shaving stones [astringents]; smoothing stones; eyebrow pencils; cosmetic pencils; silicon carbide [abrasive]; carbides of metal [abrasives]; alum stones [astringents]; tripoli stone for polishing; adhesives for affixing false eyelashes; adhesives for affixing false hair; hair conditioners; quillaia bark for washing; corundum [abrasive]; beard dyes; colorants for toilet purposes; cosmetic dyes; laundry starch; laundry glaze; shoe cream; waxes for leather; polishing creams; cosmetic creams; skin whitening creams; polishing rouge; incense; hair spray; nail varnish; hair lotions; lotions for cosmetic purposes; after-shave lotions; beauty masks; oils for perfumes and scents; oils for cosmetic purposes; oils for toilet purposes; essential oils; essential oils of cedarwood; essential oils of lemon; essential oils of citron; oils for cleaning purposes; bergamot oil; gaultheria oil; jasmine oil; lavender oil; almond oil; rose oil; oil of turpentine for degreasing; whitening; cleaning chalk; almond milk for cosmetic purposes; cleansing milk for toilet purposes; musk [perfumery]; soap; deodorant soap; shaving soap; soap for brightening textile; cakes of toilet soap; antiperspirant soap; soap for foot perspiration; almond soap; mint for perfumery; cosmetic kits; emery; nail art stickers; false nails; eau de Cologne; joss sticks; pastes for razor strops; toothpaste; pumice stone; lipstick cases; hydrogen peroxide for cosmetic purposes; breath freshening strips; teeth whitening strips; sandcloth; glass cloth [abrasive cloth]; lipsticks; pomades for cosmetic purposes; dentifrices; shaving preparations; cosmetic preparations for baths; bath preparations, not for medical purposes; hair straightening preparations; hair waving preparations; laundry soaking preparations; grinding preparations; smoothing preparations [starching]; colour-removing preparations; leather bleaching preparations; polishing preparations; denture polishes; mouthwashes, not for medical purposes; cosmetic preparations for slimming purposes; starch glaze for laundry purposes; eye-washes, not for medical purposes; fabric softeners for laundry use; preparations for washing; dry-cleaning preparations; paint stripping preparations; lacquer-removing preparations; make-up removing preparations; floor wax removers [scouring preparations]; varnish-removing preparations; rust removing preparations; nail care preparations; cleaning preparations; preparations for cleaning dentures; wallpaper cleaning preparations; preparations for unblocking drain pipes; chemical cleaning preparations for household purposes; collagen preparations for cosmetic purposes; bleaching preparations [decolorants] for household purposes; bleaching and laundry preparations; aloe vera preparations for cosmetic purposes; sunscreen preparations; colour-brightening chemicals for household purposes [laundry]; breath freshening preparations for personal hygiene; shining preparations [polish]; make-up powder; diamantine [abrasive]; stain removers; nail varnish removers; vaginal washes for personal sanitary or deodorant purposes; scouring so-

lutions; false eyelashes; tissues impregnated with cosmetic lotions; tissues impregnated with make-up removing preparations; saftrol; massage candles for cosmetic purposes; laundry blueing; turpentine for degreasing; potpourris [fragrances]; bleaching soda; washing soda, for cleaning; bath salts, not for medical purposes; bleaching salts; fumigation preparations [perfumes]; leather preservatives [polishes]; ammonia [volatile alkali] [detergent]; astringents for cosmetic purposes; eyebrow cosmetics; make-up preparations; sun-tanning preparations [cosmetics]; hair dyes; neutralizers for permanent waving; preparations to make the leaves of plants shiny; cosmetic preparations for eyelashes; cosmetic preparations for skin care; shoe wax; cosmetics; cosmetics for children; cosmetics for animals; mascara; cleansers for intimate personal hygiene purposes, non medicated; douching preparations for personal sanitary or deodorant purposes [toilettries]; detergents, other than for use in manufacturing operations and for medical purposes; degreasers, other than for use in manufacturing processes; bleaching preparations [decolorants] for cosmetic purposes; toiletry preparations; antiperspirants [toilettries]; phyto-cosmetic preparations; talcum powder, for toilet use; cotton swabs for cosmetic purposes; terpenes [essential oils]; emery cloth; cloths impregnated with a detergent for cleaning; henna [cosmetic dye]; shampoos; shampoos for animals [non-medicated grooming preparations]; shampoos for pets [non-medicated grooming preparations]; dry shampoos; sandpaper; soda lye; herbal extracts for cosmetic purposes; extracts of flowers [perfumes]; ethereal essences; badian essence; mint essence [essential oil].

(260) AM 2024 123940 A  
 (800) 1740813  
 (151) 2023 05 10  
 (891) 2023 05 10  
 (731) KRKA, tovarna zdravil, d.d., Novo mesto  
 Šmarješka cesta 6; SI-8000 Novo mesto,  
 Slovenia  
 (540)

## ATORITIMB

(591) Black, white  
 (511)  
 5 – Pharmaceutical preparations.

(260) AM 2024 123941 A  
 (800) 1740818  
 (151) 2023 05 10  
 (891) 2023 05 10  
 (731) KRKA, tovarna zdravil, d.d., Novo mesto  
 Šmarješka cesta 6; SI-8000 Novo mesto,  
 Slovenia  
 (540)

## ATORIZIMIB

(591) Black, white  
(511)  
5 – Pharmaceutical preparations.

(260) AM 2024 123969 A  
(800) 1741474  
(151) 2023 06 16  
(891) 2023 06 16  
(731) HTI Toys UK Limited  
Eastham House, Copse Road, Fleetwood  
FY7 7NY, United Kingdom  
(540)

## TEAMSTERZ

(591) Black, white  
(511)  
28 – Toy vehicles and accessories for use with toy vehicles; toy miniature houses; toy miniature people, toy street layout sets, toy play mats sets; accessories for the aforementioned goods.

(260) AM 2024 123970 A  
(800) 1741475  
(151) 2023 05 30  
(891) 2023 05 30  
(731) Tibet Summit Colove Motorcycle sales Co., Ltd  
201, Unit 2, B Block, Headquarter Economic  
Base, No.5, Gesang Road, Lhasa Economic  
and Technical Development Zone, Tibet, China  
(540)

## KOVE

(591) Black, white  
(511)  
12 – Locomotives; electric vehicles; vehicles for locomotion by land, air, water or rail; motorcycle engines; side cars; motorcycle kickstands; motorcycles; pneumatic tyres; space vehicles; vehicle wheels.

(260) AM 2024 124073 A  
(800) 1742022  
(151) 2023 06 26  
(891) 2023 06 26  
(731) Obshchestvo s ogranichennoy otvetstvennostyu  
"KDV Grupp"  
Prospekt Mira 20, Tomsk, RU-634057  
Tomskaya oblast, Russian Federation  
(540)

## Fjord

(591) Black, white  
(531) 27.05.01  
(511)  
3 – Toilet water; moustache wax; beard dyes; after-shave lotions; shaving soap; eau de cologne; pastes for razor strops; shaving preparations.

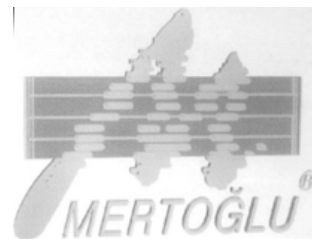
8 – Razors, electric or non-electric; razor blades; disposable razors; cartridges for razor blades.

(260) AM 2024 124089 A  
(800) 1742442  
(151) 2023 06 29  
(891) 2023 06 29  
(731) Keeta, Inc.  
730 Arizona Ave., Suite 200, Santa Monica  
CA 90401, USA  
(540)



(591) Black, white  
(531) 03.01.04; 03.01.21; 03.01.24  
(511)  
36 – ATM banking services; blockchain-based payment verification services; electronic transfer of funds; electronic transfer of money; electronic transfer of virtual currencies; financial transaction services, namely, providing secure commercial transactions and payment options; merchant services, namely, payment transaction processing services; on-line banking services; online banking services accessible by means of downloadable mobile applications; payment processing services in the field of credit card, debit card, electronic funds, wire, ACH, electronic check, and electronic wallet payments; payment verification services using distributed ledger technology (DLT); providing electronic processing of electronic funds transfer, ACH, credit card, debit card, electronic check and electronic payments; providing electronic processing of ACH and credit card transactions and electronic payments via a global computer network.

(260) AM 2024 124091 A  
(800) 1742479  
(151) 2022 09 27  
(891) 2022 09 27  
(731) MERTOĞLU KENT MOBİLYALARI  
ANONİM ŞİRKETİ  
AHİEVİRAN OSB ANADOLU CAD. 11 A-B,  
Sincan, Ankara, Türkiye  
(540)



(591) Black, white  
(531) 26.04.05; 26.04.09; 26.04.12; 26.04.19;  
26.04.24; 27.05.01; 27.05.03; 27.05.09



(511)

20 – Furniture, display stands and glass display cabinets, tiling cabinets, medicine cabinets, writing desks and draughtsman's tables, tea carts, deck chairs, benches (not of metal), work benches, desks, crates, chests; letter boxes (not of metal or masonry); bed mattresses, spring mattresses, cushions, water beds, air beds and air cushions not for medical purposes, sleeping beds for camping; mirrors, beehives, artificial honeycombs, comb foundations for beehives; playpens for children, cradles, infant walkers; registration plates not of metal, placards of wood or plastic, wooden barrels, containers (not of metal) for liquids; boxes of wood, plate racks; packaging containers of plastic, plastic barrels; casks, not of metal; reservoirs not of metal nor of masonry; picture frames, picture frame brackets; curtain hooks, curtain rings, curtain rails, curtain rods; handles for tools, not of metal; latches, not of metal; stoppers, not of metal, caps (not of metal) and corks for bottles; rivets and screws, not of metal; cork bands; dowels, not of metal; cable clips, not of metal; coat hangers; artists' materials included in this class, namely statues, busts, works of art of wood, wax, plaster and plastic, decoration materials, namely mannequins, decorative wall plaques, not of textile (furniture), stuffed animals; baskets, not of metal; bakers' bread baskets, reeds (plaiting material), fishing baskets; nesting boxes, kennels and beds for household pets; ladders of wood and plastic, mobile boarding stairs for passengers (not of metal); wood or plastic rollers for wrapping products; valves, not of metal, other than parts of machines; taps for casks; identification plates and identification bracelets not of metal; window and door fittings, not of metal; locks, not of metal; furniture fittings, not of metal; furniture casters, not of metal; bamboo curtains, curtain rollers, bead curtains for decoration; workbenches of metal, shelves of metal; trolleys for household appliances.

---

---

**INTERNATIONAL TRADEMARKS PROTECTED IN GEORGIA**

(260) AM 2024 119922 A  
(800) 1690157  
(151) 2022 08 18  
(181) 2032 08 18  
(891) 2022 08 18  
(511) 18

---

(260) AM 2024 121376 A  
(800) 1709311  
(151) 2022 12 14  
(181) 2032 12 14  
(891) 2022 12 14  
(511) 05

---

(260) AM 2024 120081 A  
(800) 1692112  
(151) 2022 09 23  
(181) 2032 09 23  
(891) 2022 09 23  
(511) 05

---

(260) AM 2024 121394 A  
(800) 1709710  
(151) 2022 11 03  
(181) 2032 11 03  
(891) 2022 11 03  
(511) 09, 12, 35, 36, 37, 38, 39

---

(260) AM 2024 120216 A  
(800) 1694027  
(151) 2022 09 23  
(181) 2032 09 23  
(891) 2022 09 23  
(511) 05

---

(260) AM 2024 121459 A  
(800) 1710307  
(151) 2022 11 16  
(181) 2032 11 16  
(891) 2022 11 16  
(511) 35

---

(260) AM 2024 120265 A  
(800) 1694110  
(151) 2022 06 20  
(181) 2032 06 20  
(891) 2022 06 20  
(511) 03, 14, 18, 24, 25, 35

---

(260) AM 2024 121539 A  
(800) 1711325  
(151) 2022 07 29  
(181) 2032 07 29  
(891) 2022 07 29  
(511) 03, 20, 21, 24

---

(260) AM 2024 120865 A  
(800) 1702430  
(151) 2022 10 26  
(181) 2032 10 26  
(891) 2022 10 26  
(511) 39

---

(260) AM 2024 121542 A  
(800) 1711367  
(151) 2022 12 14  
(181) 2032 12 14  
(891) 2022 12 14  
(511) 05

---

(260) AM 2024 120875 A  
(800) 1702617  
(151) 2022 10 17  
(181) 2032 10 17  
(891) 2022 10 17  
(511) 01, 02, 03

---

(260) AM 2024 121563 A  
(800) 1711917  
(151) 2023 01 09  
(181) 2033 01 09  
(891) 2023 01 09  
(511) 31

---

(260) AM 2024 120898 A  
(800) 1703221  
(151) 2022 10 26  
(181) 2032 10 26  
(891) 2022 10 26  
(511) 39

---

(260) AM 2024 121565 A  
(800) 1711944  
(151) 2022 08 12  
(181) 2032 08 12  
(891) 2022 08 12  
(511) 29, 35

---

(260) AM 2024 121566 A  
(800) 1711959  
(151) 2022 11 30  
(181) 2032 11 30  
(891) 2022 11 30  
(511) 36

---

(260) AM 2024 121594 A  
(800) 1712518  
(151) 2022 12 23  
(181) 2032 12 23  
(891) 2022 12 23  
(511) 09

---

(260) AM 2024 121574 A  
(800) 1712126  
(151) 2022 08 17  
(181) 2032 08 17  
(891) 2022 08 17  
(511) 09, 35, 37, 38, 42, 45

---

(260) AM 2024 121596 A  
(800) 1712580  
(151) 2022 08 24  
(181) 2032 08 24  
(891) 2022 08 24  
(511) 36, 42

---

(260) AM 2024 121587 A  
(800) 1712340  
(151) 2023 01 16  
(181) 2033 01 16  
(891) 2023 01 16  
(511) 32

---

(260) AM 2024 121613 A  
(800) 1148545  
(151) 2013 01 04  
(181) 2033 01 04  
(891) 2023 01 24  
(511) 05

---

(260) AM 2024 121588 A  
(800) 1712345  
(151) 2022 11 16  
(181) 2032 11 16  
(891) 2022 11 16  
(511) 14

---

(260) AM 2024 121614 A  
(800) 1217713  
(151) 2014 05 30  
(181) 2024 05 30  
(891) 2022 12 28  
(511) 02, 17

---

(260) AM 2024 121589 A  
(800) 1712436  
(151) 2022 09 02  
(181) 2032 09 02  
(891) 2022 09 02  
(511) 35, 36, 38, 42

---

(260) AM 2024 121616 A  
(800) 1263456  
(151) 2015 06 29  
(181) 2025 06 29  
(891) 2023 01 11  
(511) 05

---

(260) AM 2024 121591 A  
(800) 1712461  
(151) 2022 11 16  
(181) 2032 11 16  
(891) 2022 11 16  
(511) 11

---

(260) AM 2024 121626 A  
(800) 1670722  
(151) 2022 03 16  
(181) 2032 03 16  
(891) 2022 08 18  
(511) 01

---

(260) AM 2024 121592 A  
(800) 1712470  
(151) 2022 11 17  
(181) 2032 11 17  
(891) 2022 11 17  
(511) 09

---

(260) AM 2024 121681 A  
(800) 1713156  
(151) 2023 01 18  
(181) 2033 01 18  
(891) 2023 01 18  
(511) 34

---

(260) AM 2024 121682 A  
(800) 1713176  
(151) 2022 11 08  
(181) 2032 11 08  
(891) 2022 11 08  
(511) 09, 28, 41

---

(260) AM 2024 121717 A  
(800) 1671196  
(151) 2022 06 08  
(181) 2032 06 08  
(891) 2023 01 31  
(511) 33

---

(260) AM 2024 121683 A  
(800) 1713238  
(151) 2023 01 19  
(181) 2033 01 19  
(891) 2023 01 19  
(511) 09, 36

---

(260) AM 2024 121718 A  
(800) 1672462  
(151) 2022 06 22  
(181) 2032 06 22  
(891) 2023 02 02  
(511) 33

---

(260) AM 2024 121686 A  
(800) 1713410  
(151) 2022 08 29  
(181) 2032 08 29  
(891) 2022 08 29  
(511) 35, 39

---

(260) AM 2024 121787 A  
(800) 1714731  
(151) 2022 12 21  
(181) 2032 12 21  
(891) 2022 12 21  
(511) 05

---

(260) AM 2024 121687 A  
(800) 1713437  
(151) 2022 10 12  
(181) 2032 10 12  
(891) 2022 10 12  
(511) 09, 38, 39, 42

---

(260) AM 2024 121788 A  
(800) 1714739  
(151) 2023 01 12  
(181) 2033 01 12  
(891) 2023 01 12  
(511) 20

---

(260) AM 2024 121700 A  
(800) 1713804  
(151) 2022 07 26  
(181) 2032 07 26  
(891) 2022 07 26  
(511) 09, 28, 41

---

(260) AM 2024 121789 A  
(800) 1714765  
(151) 2021 12 13  
(181) 2031 12 13  
(891) 2021 12 13  
(511) 20, 28

---

(260) AM 2024 121715 A  
(800) 1669958  
(151) 2022 06 08  
(181) 2032 06 08  
(891) 2023 02 02  
(511) 33

---

(260) AM 2024 121790 A  
(800) 1714789  
(151) 2022 08 02  
(181) 2032 08 02  
(891) 2022 08 02  
(511) 06, 19, 35

---

(260) AM 2024 121716 A  
(800) 1669959  
(151) 2022 06 08  
(181) 2032 06 08  
(891) 2023 02 02  
(511) 33

---

(260) AM 2024 121791 A  
(800) 1714819  
(151) 2022 08 10  
(181) 2032 08 10  
(891) 2022 08 10  
(511) 09

---

(260) AM 2024 121792 A  
(800) 1714867  
(151) 2022 11 02  
(181) 2032 11 02  
(891) 2022 11 02  
(511) 25

---

(260) AM 2024 121837 A  
(800) 1157219  
(151) 2013 02 05  
(181) 2033 02 05  
(891) 2023 02 06  
(511) 01

---

(260) AM 2024 121794 A  
(800) 1714998  
(151) 2022 12 16  
(181) 2032 12 16  
(891) 2022 12 16  
(511) 07

---

(260) AM 2024 121839 A  
(800) 1251937  
(151) 2015 03 27  
(181) 2025 03 27  
(891) 2023 02 07  
(511) 03

---

(260) AM 2024 121795 A  
(800) 1715030  
(151) 2022 11 28  
(181) 2032 11 28  
(891) 2022 11 28  
(511) 14, 28

---

(260) AM 2024 121840 A  
(800) 1420624  
(151) 2018 04 18  
(181) 2028 04 18  
(891) 2023 02 02  
(511) 33

---

(260) AM 2024 121796 A  
(800) 1715042  
(151) 2022 11 30  
(181) 2032 11 30  
(891) 2022 11 30  
(511) 12

---

(260) AM 2024 121843 A  
(800) 1602556  
(151) 2021 06 01  
(181) 2031 06 01  
(891) 2023 02 07  
(511) 33

---

(260) AM 2024 121812 A  
(800) 1715281  
(151) 2023 01 18  
(181) 2033 01 18  
(891) 2023 01 18  
(511) 07

---

(260) AM 2024 121844 A  
(800) 1603186  
(151) 2021 06 01  
(181) 2031 06 01  
(891) 2023 02 07  
(511) 33

---

(260) AM 2024 121813 A  
(800) 1715294  
(151) 2022 12 28  
(181) 2032 12 28  
(891) 2022 12 28  
(511) 21

---

(260) AM 2024 121845 A  
(800) 1603215  
(151) 2021 06 01  
(181) 2031 06 01  
(891) 2023 02 07  
(511) 33

---

(260) AM 2024 121814 A  
(800) 1715322  
(151) 2023 01 13  
(181) 2033 01 13  
(891) 2023 01 13  
(511) 05

---

(260) AM 2024 121846 A  
(800) 1669960  
(151) 2022 06 08  
(181) 2032 06 08  
(891) 2023 02 07  
(511) 33

---

(260) AM 2024 121847 A  
(800) 1700374  
(151) 2022 11 06  
(181) 2032 11 06  
(891) 2023 01 12  
(511) 09, 25, 41

---

(260) AM 2024 121890 A  
(800) 1716764  
(151) 2022 10 26  
(181) 2032 10 26  
(891) 2022 10 26  
(511) 07, 09, 11, 37, 42

---

(260) AM 2024 121868 A  
(800) 1715740  
(151) 2023 01 13  
(181) 2033 01 13  
(891) 2023 01 13  
(511) 20

---

(260) AM 2024 121891 A  
(800) 1716782  
(151) 2023 01 12  
(181) 2033 01 12  
(891) 2023 01 12  
(511) 42

---

(260) AM 2024 121870 A  
(800) 1715887  
(151) 2022 07 14  
(181) 2032 07 14  
(891) 2022 07 14  
(511) 05

---

(260) AM 2024 121896 A  
(800) 1542011  
(151) 2020 04 03  
(181) 2030 04 03  
(891) 2022 12 22  
(511) 05, 09, 10

---

(260) AM 2024 121874 A  
(800) 1716119  
(151) 2022 12 19  
(181) 2032 12 19  
(891) 2022 12 19  
(511) 03

---

(260) AM 2024 121897 A  
(800) 1598207  
(151) 2020 09 02  
(181) 2030 09 02  
(891) 2023 02 06  
(511) 04, 35, 39, 40, 42

---

(260) AM 2024 121877 A  
(800) 1716126  
(151) 2022 07 27  
(181) 2032 07 27  
(891) 2022 07 27  
(511) 05

---

(260) AM 2024 121898 A  
(800) 1681532  
(151) 2022 05 17  
(181) 2032 05 17  
(891) 2023 01 19  
(511) 09, 18, 25

---

(260) AM 2024 121880 A  
(800) 1716258  
(151) 2022 09 20  
(181) 2032 09 20  
(891) 2022 09 20  
(511) 03, 05

---

(260) AM 2024 121942 A  
(800) 1716898  
(151) 2022 11 08  
(181) 2032 11 08  
(891) 2022 11 08  
(511) 09, 28, 41

---

(260) AM 2024 121881 A  
(800) 1716399  
(151) 2022 12 07  
(181) 2032 12 07  
(891) 2022 12 07  
(511) 30

---

(260) AM 2024 121946 A  
(800) 1717212  
(151) 2022 06 11  
(181) 2032 06 11  
(891) 2022 06 11  
(511) 30

---

(260) AM 2024 121954 A  
(800) 1717465  
(151) 2022 11 23  
(181) 2032 11 23  
(891) 2022 11 23  
(511) 09, 14, 18, 25, 35

---

(260) AM 2024 121969 A  
(800) 1717739  
(151) 2022 12 23  
(181) 2032 12 23  
(891) 2022 12 23  
(511) 05

---

(260) AM 2024 121955 A  
(800) 1717467  
(151) 2022 12 02  
(181) 2032 12 02  
(891) 2022 12 02  
(511) 05, 10

---

(260) AM 2024 121970 A  
(800) 1717740  
(151) 2022 12 23  
(181) 2032 12 23  
(891) 2022 12 23  
(511) 05

---

(260) AM 2024 121959 A  
(800) 1717626  
(151) 2022 10 19  
(181) 2032 10 19  
(891) 2022 10 19  
(511) 09, 14, 28, 35, 36, 38, 41, 42, 45

---

(260) AM 2024 121972 A  
(800) 1717789  
(151) 2022 09 14  
(181) 2032 09 14  
(891) 2022 09 14  
(511) 12

---

(260) AM 2024 121964 A  
(800) 1717647  
(151) 2023 01 26  
(181) 2033 01 26  
(891) 2023 01 26  
(511) 12

---

(260) AM 2024 121974 A  
(800) 1717851  
(151) 2023 01 29  
(181) 2033 01 29  
(891) 2023 01 29  
(511) 03, 05, 16, 35, 39

---

(260) AM 2024 121965 A  
(800) 1717648  
(151) 2023 01 26  
(181) 2033 01 26  
(891) 2023 01 26  
(511) 12

---

(260) AM 2024 121976 A  
(800) 1717857  
(151) 2023 02 08  
(181) 2033 02 08  
(891) 2023 02 08  
(511) 05

---

(260) AM 2024 121967 A  
(800) 1717696  
(151) 2023 01 10  
(181) 2033 01 10  
(891) 2023 01 10  
(511) 32

---

(260) AM 2024 121980 A  
(800) 1717960  
(151) 2022 11 18  
(181) 2032 11 18  
(891) 2022 11 18  
(511) 09, 11

---

(260) AM 2024 121968 A  
(800) 1717714  
(151) 2023 02 07  
(181) 2033 02 07  
(891) 2023 02 07  
(511) 30

---

(260) AM 2024 121986 A  
(800) 1718064  
(151) 2022 10 31  
(181) 2032 10 31  
(891) 2022 10 31  
(511) 30

---

(260) AM 2024 121991 A  
(800) 480709  
(151) 1983 11 02  
(181) 2023 11 02  
(891) 2023 02 22  
(511) 25

---

(260) AM 2024 122060 A  
(800) 1718862  
(151) 2022 11 28  
(181) 2032 11 28  
(891) 2022 11 28  
(511) 07, 12

---

(260) AM 2024 121994 A  
(800) 1469235  
(151) 2019 04 12  
(181) 2029 04 12  
(891) 2023 02 15  
(511) 12

---

(260) AM 2024 122067 A  
(800) 1719003  
(151) 2022 12 24  
(181) 2032 12 24  
(891) 2022 12 24  
(511) 07

---

(260) AM 2024 121998 A  
(800) 1620225  
(151) 2021 06 14  
(181) 2031 06 14  
(891) 2023 02 21  
(511) 03, 05, 16

---

(260) AM 2024 122072 A  
(800) 1719152  
(151) 2022 12 22  
(181) 2032 12 22  
(891) 2022 12 22  
(511) 25

---

(260) AM 2024 122000 A  
(800) 1647102  
(151) 2021 11 26  
(181) 2031 11 26  
(891) 2022 12 02  
(511) 09, 38, 41, 42, 45

---

(260) AM 2024 122077 A  
(800) 1719272  
(151) 2022 12 13  
(181) 2032 12 13  
(891) 2022 12 13  
(511) 12

---

(260) AM 2024 122001 A  
(800) 1652794  
(151) 2022 02 10  
(181) 2032 02 10  
(891) 2023 01 20  
(511) 12

---

(260) AM 2024 122141 A  
(800) 1719596  
(151) 2023 02 17  
(181) 2033 02 17  
(891) 2023 02 17  
(511) 05

---

(260) AM 2024 122002 A  
(800) 1658845  
(151) 2022 01 27  
(181) 2032 01 27  
(891) 2023 01 21  
(511) 29, 30

---

(260) AM 2024 122142 A  
(800) 1719601  
(151) 2023 02 17  
(181) 2033 02 17  
(891) 2023 02 17  
(511) 05

---

(260) AM 2024 122004 A  
(800) 1686353  
(151) 2022 05 14  
(181) 2032 05 14  
(891) 2023 02 13  
(511) 30

---

(260) AM 2024 122143 A  
(800) 1719602  
(151) 2023 02 17  
(181) 2033 02 17  
(891) 2023 02 17  
(511) 05

---



(260) AM 2024 122244 A  
(800) 1721188  
(151) 2022 12 02  
(181) 2032 12 02  
(891) 2022 12 02  
(511) 07, 16

---

(260) AM 2024 122256 A  
(800) 1721976  
(151) 2022 11 30  
(181) 2032 11 30  
(891) 2022 11 30  
(511) 09, 18, 25, 35

---

(260) AM 2024 122247 A  
(800) 1721375  
(151) 2022 11 02  
(181) 2032 11 02  
(891) 2022 11 02  
(511) 09, 28, 41, 42

---

(260) AM 2024 122257 A  
(800) 1722046  
(151) 2023 02 15  
(181) 2033 02 15  
(891) 2023 02 15  
(511) 18, 25, 35

---

(260) AM 2024 122248 A  
(800) 1721425  
(151) 2022 12 05  
(181) 2032 12 05  
(891) 2022 12 05  
(511) 09, 28, 41

---

(260) AM 2024 122258 A  
(800) 1722106  
(151) 2022 12 12  
(181) 2032 12 12  
(891) 2022 12 12  
(511) 07, 08, 11

---

(260) AM 2024 122250 A  
(800) 1721708  
(151) 2023 02 17  
(181) 2033 02 17  
(891) 2023 02 17  
(511) 35, 41, 43

---

(260) AM 2024 122251 A  
(800) 1721728  
(151) 2023 02 07  
(181) 2033 02 07  
(891) 2023 02 07  
(511) 30

---

(260) AM 2024 122253 A  
(800) 1721896  
(151) 2022 11 17  
(181) 2032 11 17  
(891) 2022 11 17  
(511) 09, 12, 39, 42

---

(260) AM 2024 122254 A  
(800) 1721910  
(151) 2022 12 27  
(181) 2032 12 27  
(891) 2022 12 27  
(511) 05

---

---

# OFFICIAL NOTIFICATIONS

## INVENTIONS RESTORATION OF PATENTS

(21) AP 2014 13592  
(11) P 2016 6516 B  
(73) LTD "Botanisti"  
(54) COMPOSITION OF INGREDIENTS FOR BIOACTIVE SUPPLEMENT "GRAIL"  
DATE OF PATENT LAPSE: 2023 10 06  
DATE OF PATENT RESTORATION: 2024 03 11

---

(21) AP 2019 15001  
(11) P 2021 7267 B  
(73) Batumi State Maritime Academy  
(54) WIND ENERGETICAL DEVICE TURBINE  
DATE OF PATENT LAPSE: 2024 02 13  
DATE OF PATENT RESTORATION: 2024 03 11

---

## LAPSE OF PATENTS WITH THE RIGHT TO RESTORE

(21) AP 2011 12855  
(11) P 2014 6202 B  
(73) Takeda Pharmaceutical Company Limited  
(54) HETEROCYCLIC COMPOUND  
DATE OF PATENT LAPSE: 2024 02 16  
PATENT RESTORATION TERM: 2025 02 16

---

(21) AP 2013 13564  
(11) P 2016 6560 B  
(73) Pfizer Inc.  
(54) MACROCYCLIC DERIVATIVES FOR THE TREATMENT OF PROLIFERATIVE DISEASES  
DATE OF PATENT LAPSE: 2024 02 20  
PATENT RESTORATION TERM: 2025 02 20

---

(21) AP 2014 13919  
(11) P 2017 6749 B  
(73) H. Lundbek A/S  
(54) VORTIOXETINE MANUFACTURING PROCESS  
DATE OF PATENT LAPSE: 2024 02 20  
PATENT RESTORATION TERM: 2025 02 20

---

(21) AP 2019 15001  
(11) P 2021 7267 B  
(73) Batumi State Maritime Academy  
(54) WIND ENERGETICAL DEVICE TURBINE  
DATE OF PATENT LAPSE: 2024 02 13  
PATENT RESTORATION TERM: 2026 02 13

---

(21) AP 2019 15002  
(11) P 2020 7150 B  
(73) Giorgi Nozadze;  
Aleksandre Kartvelishvili;  
Davit Pataraiia;  
Rusudan Maisuradze;  
LEPL "Grigol Tsulukidze Mining Institute"  
(54) SUSPENSION ROPE-WAY WITH SELF-PROPELLED CARRIAGE  
DATE OF PATENT LAPSE: 2024 02 13  
PATENT RESTORATION TERM: 2025 02 13

---

(21) AP 2021 15559  
(11) P 2022 7415 B  
(73) Savle Chkhitudidze  
(54) WATER SUPPLY SYSTEM WITH PRINCIPLE OF COMMUNICATING VESSELS  
DATE OF PATENT LAPSE: 2024 02 12  
PATENT RESTORATION TERM: 2025 02 12

---

(21) AP 2021 15565  
(11) P 2023 7462 B  
(73) Ramaz Tkemaladze;  
Malkhaz Tsutskiridze;  
Nugzar Tsinadze;  
Zaur Chitidze;  
Vakhtang Abaishvili;  
Tinatin Gogishvili;  
Malkhaz Akhvlediani;  
Irakli Grdzeshvili;  
Nikoloz Gelashvili;  
Igor Gelashvili;  
Davit Mosulishvili;  
Zaur Balamsarashvili  
(54) SHORT DISTANCE MOBILE AERIAL ROPEWAY LOG PULLER MACHINE  
DATE OF PATENT LAPSE: 2024 02 19  
PATENT RESTORATION TERM: 2025 02 19

---

(21) AP 2005 8646  
(11) P 2007 4135 B  
(73) Les Laboratoires Servier  
(54) PROCESS FOR THE SYNTHESIS OF (IS)-4,5-DIMETHOXY-1-(METHYLAMINOMETHYL)-BENZO-CYCLOBUTANE AND ADDITION SALTS THEREOF, AND TO THE APPLICATION THEREOF IN THE SYNTHESIS OF IVABRADINE AND ADDITION SALTS THEREOF WITH A PHARMACEUTICALLY ACCEPTABLE ACID  
DATE OF PATENT LAPSE: 2024 02 18  
PATENT RESTORATION TERM: 2025 02 18

---

(21) AP 2005 8647  
(11) P 2007 4136 B  
(73) Les Laboratoires Servier  
(54) NEW PROCESS FOR THE SYNTHESIS OF 1,3,4,5-TETRAHYDRO-2H-3-BENZAZEPIN-2-ONE COMPOUNDS, AND APPLICATION IN THE SYNTHESIS OF IVABRADINE AND ADDITION SALTS THEREOF WITH A PHARMACEUTICALLY ACCEPTABLE ACID  
DATE OF PATENT LAPSE: 2024 02 18  
PATENT RESTORATION TERM: 2025 02 18

---

(21) AP 2005 8648  
(11) P 2007 4137 B  
(73) Les Laboratoires Servier  
(54) NEW PROCESS FOR THE SYNTHESIS OF 1,3-DIHYDRO-2H-3-BENZAZEPIN-2-ONE COMPOUNDS,  
AND APPLICATION IN THE SYNTHESIS OF IVABRADINE AND ADDITION SALTS THEREOF  
WITH A PHARMACEUTICALLY ACCEPTABLE ACID  
DATE OF PATENT LAPSE: 2024 02 18  
PATENT RESTORATION TERM: 2025 02 18

---

(21) AP 2005 8649  
(11) P 2007 4138 B  
(73) Les Laboratoires Servier  
(54) NEW PROCESS FOR THE SYNTHESIS OF IVABRADINE AND ADDITION SALTS THEREOF WITH  
A PHARMACEUTICALLY ACCEPTABLE ACID  
DATE OF PATENT LAPSE: 2024 02 18  
PATENT RESTORATION TERM: 2025 02 18

---

### CHANGE OF NAME AND/OR ADDRESS OF PATENTOWNER

(21) AP 2005 9692  
(11) P 2008 4551 B  
(54) 4-PHENYLAMINO-QUINAZOLIN-6-YL-AMIDES  
NAME AND ADDRESS OF NEW PATENT OWNER: Warner-Lambert Company LLC (US)  
66 Hudson Boulevard East, New York,  
NY 10001-2192, USA (US)  
NAME AND ADDRESS OF FORMER PATENT OWNER: Warner-Lambert Company LLC (US)  
235 East 42nd Street, New York,  
NY 10017-5703, USA (US)  
DATE OF REGISTRATION: 2024 02 20

---

---

## UTILITY MODELS

### LAPSE OF PATENTS WITH THE RIGHT TO RESTORE

(21) AU 2020 15285  
(11) U 2021 2091 Y  
(73) Astrata AG  
(54) TEAPOT LID  
DATE OF PATENT LAPSE: 2024 02 19  
PATENT RESTORATION TERM: 2025 02 19

---

(21) AU 2020 15286  
(11) U 2021 2090 Y  
(73) Astrata AG  
(54) TEAPOT LID  
DATE OF PATENT LAPSE: 2024 02 19  
PATENT RESTORATION TERM: 2025 02 19

---

(21) AU 2020 15287  
(11) U 2021 2089 Y  
(73) Astrata AG  
(54) TEAPOT LID  
DATE OF PATENT LAPSE: 2024 02 19  
PATENT RESTORATION TERM: 2025 02 19

---

(21) AU 2020 15288  
(11) U 2021 2088 Y  
(73) Astrata AG  
(54) TEAPOT LID  
DATE OF PATENT LAPSE: 2024 02 19  
PATENT RESTORATION TERM: 2025 02 19

---

(21) AU 2020 15289  
(11) U 2021 2087 Y  
(73) Astrata AG  
(54) TEAPOT LID  
DATE OF PATENT LAPSE: 2024 02 19  
PATENT RESTORATION TERM: 2025 02 19

---

(21) AU 2022 15879  
(11) U 2022 2130 Y  
(73) Ana Rokhvadze  
(54) NON-PRESSURIZED DRIP IRRIGATION SYSTEM  
DATE OF PATENT LAPSE: 2024 02 17  
PATENT RESTORATION TERM: 2025 02 17

---

(21) AU 2022 15880  
(11) U 2023 2142 Y  
(73) Ana Rokhvadze  
(54) HYDROPOWER PLANT  
DATE OF PATENT LAPSE: 2024 02 17  
PATENT RESTORATION TERM: 2025 02 17

---

## DESIGNS

### EXTENSION OF TERM OF DESIGN REGISTRATION

- (11) D 2019 820 S  
(73) Arçelik Anonim Sirketi (TR)  
E5 Ankara Asfalti Üzeri, Tuzla, 34950, Istanbul, Türkiye (TR)  
(54) 1. TEA MACHINE, 2. TEA POT, 3. KETTLE  
(28) 3  
(24) 2019 02 11  
(18) 2029 02 11  
(58) 2024 02 21
- 

### CANCELLATION OF DESIGNS REGISTRATION

- (11) D 2019 799 S  
(73) Elaid Global Tobako Limited (GB)  
Uei Qort Vest, Iunion Road, Sari GU9 7PT, Farnham, United Kingdom (GB)  
(54) GRAPHIC SYMBOL  
(18) 2023 06 27  
(58) 2024 02 21
- 

- (11) D 2019 800 S  
(73) Harington Development Inc. (PA)  
Elvira Mendez street, Vallarino Bldg, 3rd floor, Panama, Republic of Panama (PA)  
(54) GRAPHIC SYMBOL  
(18) 2023 06 27  
(58) 2024 02 21
- 

- (11) D 2019 808 S  
(73) Jein Giorgobiani (GE)  
Ketevan Tsamebuli Av. 73, ap. 10, 0144, Tbilisi, Georgia (GE)  
(54) 1.-4. FESTIVE CANDLES  
(18) 2023 07 10  
(58) 2024 02 21
- 

- (11) D 2019 805 S  
(73) Giorgi Keburia (GE)  
Sopiko Tchiaureli St. 16, 0179, Tbilisi, Georgia (GE)  
(54) 1.-2. SUNGLASSES  
(18) 2023 08 01  
(58) 2024 02 21
- 

- (11) D 2014 568 S  
(73) Archil Ghaghanidze (GE)  
Nutsubidze Slope, IV m/r., bld. 14, ap. 42, 0183, Tbilisi, Georgia (GE);  
Shalva Kandelaki (GE)  
Ganatleba St. 1A, 4600, Kutaisi, Georgia (GE);  
Dimitri Lominadze (GE)  
Merab Kostava St., I Lane 21, 0179, Tbilisi, Georgia (GE)
-

(54) FAST-REVOLVING COAL  
(18) 2023 08 05  
(58) 2024 02 21

---

## EXTENSION OF TERM OF INTERNATIONAL DESIGNS REGISTRATION

(11) DM/DM/200 703  
(73) Harry Winston SA  
Chemin du Tourbillon 8, 1228 Plan-Les-Ouates (CH)  
(15) 2019 02 11  
(24) 2019 02 11  
(18) 2029 02 11  
(28) 2  
(28') 2  
(54) 1.-2. FINGER RING

---

(11) DM/200 704  
(73) The Swatch Group Management Services AG (The Swatch Group Management Services SA) (Ltd.)  
Seevorstadt 6, 2502 Biel/Bienne (CH)  
(15) 2019 02 28  
(24) 2019 02 28  
(18) 2029 02 28  
(28) 2  
(28') 2  
(54) 1. MONTRE-BRACELET, 2. MONTRE-BRACELET

---

(11) DM/201 001  
(73) Harry Winston SA  
Chemin Du Tourbillon 8, 1228 Plan-Les-Ouates (CH)  
(15) 2019 02 20  
(24) 2019 02 20  
(18) 2029 02 20  
(28) 4  
(28') 4  
(54) 1. BRACELET, 2. NECKLACE, 3. EARRING, 4. FINGER RING

---

(11) DM/201 002  
(73) Harry Winston SA  
Chemin Du Tourbillon 8, 1228 Plan-Les-Ouates (CH)  
(15) 2019 02 22  
(24) 2019 02 22  
(18) 2029 02 22  
(28) 1  
(28') 1  
(54) 1. PENDANT

---

(11) DM/201 014  
(73) Omega SA (Omega AG) (Omega LTD.)  
Jakob-Stämpfli-Strasse 96, 2502 Biel/Bienne (CH)  
(15) 2019 02 18  
(24) 2019 02 18

---

(18) 2029 02 18  
(28) 1  
(28') 1  
(54) 1. WATCH

---

(11) DM/201 155  
(73) Daniel Wellington AB  
Vasagatan 12, SE-111 20, Stockholm (SE)  
(15) 2019 03 08  
(24) 2019 03 08  
(18) 2029 03 08  
(28) 1  
(28') 1  
(54) 1. BRACELET

---

(11) DM/201 511  
(73) Saverglass  
3, Rue De La Gare, 60960 Feuquieres (FR)  
(15) 2019 03 22  
(24) 2019 03 22  
(18) 2029 03 22  
(28) 1  
(28') 1  
(54) 1. BOTTLE

---

(11) DM/201 659  
(73) Septona SA  
Inofita Viotia P.O. BOX 95, 32011 Inofita (GR) (EM)  
(15) 2019 01 15  
(24) 2019 01 15  
(18) 2029 01 15  
(28) 3  
(28') 3  
(54) 1. COTTON PAD, 2. COTTON PAD, 3. COTTON PAD

---

(11) DM/201 898  
(73) Wolf Plastics Verpackungen GmbH  
Mühlgraben 8, 8773 Kammern Im Liesingtal (AT)  
(15) 2019 03 05  
(24) 2019 03 05  
(18) 2029 03 05  
(28) 1  
(28') 1  
(54) 1. CONTAINER FOR PAINT

---

(11) DM/202 044  
(73) Femaş Metal Sanayi Ve Ticaret Anonim Şirketi  
Organize Sanayi Bölgesi 9. Cad. No: 17 Melikgazi, 38070 Kayseri (TR)  
(15) 2019 01 10  
(24) 2019 01 10  
(18) 2029 01 10  
(28) 4

---



(28') 3  
(54) 1.-4. GAS COOKTOP

---

(11) DM/203 464  
(73) Valentino S.p.A.  
Via Turati, 16/18, I-20121 Milano (IT)  
(15) 2019 03 28  
(24) 2019 03 28  
(18) 2029 03 28  
(28) 1  
(28') 1  
(54) 1. SHOES

---

(11) DM/64808  
(73) Swatch AG (Swatch SA) (Swatch LTD.)  
94, Rue Jakob Stämpfli Bienne CH-2502 (CH)  
(15) 2004 01 14  
(24) 2004 01 14  
(18) 2029 01 14  
(28) 2  
(28') 2  
(54) WRISTWATCHES

---

(11) DM/64811  
(73) Swatch AG (Swatch SA) (Swatch LTD.)  
94, Rue Jakob Stämpfli Bienne CH-2502 (CH)  
(15) 2004 01 14  
(24) 2004 01 14  
(18) 2029 01 14  
(28) 2  
(28') 1  
(54) WRISTWATCHES

---

(11) DM/64823  
(73) Swatch AG (Swatch SA) (Swatch LTD.)  
94, Rue Jakob Stämpfli Bienne CH-2502 (CH)  
(15) 2004 01 14  
(24) 2004 01 14  
(18) 2029 01 14  
(28) 1  
(28') 1  
(54) WRISTWATCH

---

(11) DM/64840  
(73) Swatch AG (Swatch SA) (Swatch LTD.)  
94, Rue Jakob Stämpfli Bienne CH-2502 (CH)  
(15) 2004 01 19  
(24) 2004 01 19  
(18) 2029 01 19  
(28) 1  
(28') 1  
(54) WRISTWATCH

---

(11) DM/64954  
(73) Montres Breguet S.A.  
L'ABBAYE CH-1344 (CH)  
(15) 2004 02 06  
(24) 2004 02 06  
(18) 2029 02 06  
(28) 2  
(28') 2  
(54) WATCHES

---

(11) DM/64963  
(73) Tissot S.A.  
Chemin Des Tourelles 17 LE LOCLE CH-2400 (CH)  
(15) 2004 02 11  
(24) 2004 02 11  
(18) 2029 02 11  
(28) 1  
(28') 1  
(54) WRISTWATCH

---

(11) DM/64975  
(73) Omega SA (Omega AG) (Omega LTD.)  
Jakob-Stämpfli-Strasse 96, CH-2502 Biel/Bienne (CH)  
(15) 2004 02 17  
(24) 2004 02 17  
(18) 2029 02 17  
(28) 1  
(28') 1  
(54) CUFF LINKS

---

(11) DM/65002  
(73) Tissot S.A.  
Chemin Des Tourelles 17 Le Locle CH-2400 (CH)  
(15) 2004 01 27  
(24) 2004 01 27  
(18) 2029 01 27  
(28) 2  
(28') 2  
(54) WATCH CASES WITH BRACELETS

---

(11) DM/65010  
(73) Swatch AG (Swatch SA) (Swatch LTD.)  
94, Rue Jakob Stämpfli Bienne CH-2502 (CH)  
(15) 2004 02 17  
(24) 2004 02 17  
(18) 2029 02 17  
(28) 1  
(28') 1  
(54) WRISTWATCH

---

(11) DM/65017  
(73) The Swatch Group Management Services AG (The Swatch Group Management Services SA)  
(The Swatch Group Management Services LTD.)  
Seevorstadt 6 Bienne, CH-2502 (CH)

---

(15) 2004 02 04  
(24) 2004 02 04  
(18) 2029 02 04  
(28) 5  
(28') 1  
(54) WRISTWATCHES

---

(11) DM/65026  
(73) Swatch AG (Swatch SA) (Swatch LTD.)  
94, Rue Jakob Stämpfli Bienne CH-2502 (CH)  
(15) 2004 02 04  
(24) 2004 02 04  
(18) 2029 02 04  
(28) 1  
(28') 1  
(54) WRISTWATCH

---

(11) DM/65056  
(73) Swatch AG (Swatch SA) (Swatch LTD.)  
94, Rue Jakob Stämpfli Bienne CH-2502 (CH)  
(15) 2004 02 26  
(24) 2004 02 26  
(18) 2029 02 26  
(28) 2  
(28') 2  
(54) WATCH BRACELETS

---

(11) DM/65074  
(73) Swatch AG (Swatch SA) (Swatch LTD.)  
94, Rue Jakob Stämpfli Bienne CH-2502 (CH)  
(15) 2004 02 26  
(24) 2004 02 26  
(18) 2029 02 26  
(28) 7  
(28') 7  
(54) WRISTWATCHES

---

(11) DM/65091  
(73) Swatch AG (Swatch SA) (Swatch LTD.)  
94, Rue Jakob Stämpfli Bienne CH-2502 (CH)  
(15) 2004 02 24  
(24) 2004 02 24  
(18) 2029 02 24  
(28) 20  
(28') 4  
(54) WRISTWATCHES

---

(11) DM/65122  
(73) Sephora  
41 Rue Ybry 92200 Neuilly-Sur-Seine (FR)  
(15) 2004 03 05  
(24) 2004 03 05  
(18) 2029 03 05  
(28) 1

---

(28') 1  
(54) SMALL BOTTLE FOR TOILETRY PRODUCT

---

(11) DM/71178  
(73) Swatch AG (Swatch SA)(Swatch LTD)  
Jakob-Stämpfli-Strasse 94, CH-2502 Biel/Bienne (CH)  
(15) 2009 01 12  
(24) 2009 01 12  
(18) 2029 01 12  
(28) 6  
(28') 6  
(54) WRISTWATCHES

---

(11) DM/71252  
(73) Montres Jaquet Droz SA (Montres Jaquet Droz AG) (Montres Jaquet Droz LTD.)  
Allée du Tourbillon 2, CH-2300 La Chaux-de-Fonds (CH)  
(15) 2009 01 26  
(24) 2009 01 26  
(18) 2029 01 26  
(28) 1  
(28') 1  
(54) WATCH DIAL

---

(11) DM/71300  
(73) Swatch AG (Swatch SA) (Swatch LTD.)  
Jakob-Stämpfli-Strasse 94, CH-2502 Biel/Bienne (CH)  
(15) 2009 01 27  
(24) 2009 01 27  
(18) 2029 01 27  
(28) 5  
(28') 2  
(54) WRISTWATCHES

---

(11) DM/71369  
(73) Swatch AG (Swatch SA)(Swatch LTD)  
Jakob-Stämpfli-Strasse 94, CH-2502 Biel/Bienne (CH)  
(15) 2009 02 18  
(24) 2009 02 18  
(18) 2029 02 18  
(28) 8  
(28') 1  
(54) WRISTWATCHES

---

(11) DM/71412  
(73) Blancpain SA  
Rocher 12, CH-1348 LE BRASSUS (CH)  
(15) 2009 02 23  
(24) 2009 02 23  
(18) 2029 02 23  
(28) 1  
(28') 1  
(54) WRISTWATCH

---

(11) DM/71442  
(73) Breitling SA  
Schlachthausstrasse, 2 Case postale 1132, CH-2540 Grenchen (CH)  
(15) 2009 03 11  
(24) 2009 03 11  
(18) 2029 03 11  
(28) 1  
(28') 1  
(54) WATCH CASE

---

(11) DM/71457  
(73) Montres Breguet SA (Montres Breguet AG) (Montres Breguet LTD)  
Place de La Tour 23 1344 L'Abbaye (CH)  
(15) 2009 02 26  
(24) 2009 02 26  
(18) 2029 02 26  
(28) 4  
(28') 4  
(54) WATCHES

---

(11) DM/82779  
(73) Société Des Produits Nestlé S.A.  
CH-1800 Vevey (CH)  
(15) 2014 02 03  
(24) 2014 02 03  
(18) 2029 02 03  
(28) 3  
(28') 3  
(54) ICE CREAM STICKS

---

(11) DM/82878  
(73) Swatch AG (Swatch SA) (Swatch LTD.)  
Jakob-Stämpfli-Strasse 94, CH-2502 Biel/Bienne (CH)  
(15) 2014 02 14  
(24) 2014 02 14  
(18) 2029 02 14  
(28) 1  
(28') 1  
(54) DISPLAY UNIT

---

(11) DM/82879  
(73) Omega SA (Omega AG) (Omega LTD.)  
Jakob-Stämpfli-Strasse 96, CH-2502 Biel/Bienne (CH)  
(15) 2014 02 17  
(24) 2014 02 17  
(18) 2029 02 17  
(28) 1  
(28') 1  
(54) BELT BUCKLE

---

(11) DM/82890  
(73) Blancpain SA  
Le Rocher 12, CH-1348 LE Brassus (CH)  
(15) 2014 02 14

---

(24) 2014 02 14  
(18) 2029 02 14  
(28) 3  
(28') 3  
(54) DIALS, WATCH

---

(11) DM/82894  
(73) Blancpain SA  
Le Rocher 12, CH-1348 LE Brassus (CH)  
(15) 2014 02 14  
(24) 2014 02 14  
(18) 2029 02 14  
(28) 5  
(28') 5  
(54) DIALS, WATCH RIM

---

(11) DM/82909  
(73) Swatch AG (Swatch SA)(Swatch LTD.)  
Jakob-Stämpfli-Strasse 94, CH-2502 Biel/Bienne (CH)  
(15) 2014 02 18  
(24) 2014 02 18  
(18) 2029 02 18  
(28) 2  
(28') 2  
(54) WRISTWATCHES

---

(11) DM/82911  
(73) Montres Breguet S.A.  
Place de la Tour 23, CH-1344 L'abbaye (CH)  
(15) 2014 02 21  
(24) 2014 02 21  
(18) 2029 02 21  
(28) 2  
(28') 2  
(54) WATCHES

---

(11) DM/82913  
(73) Montres Jaquet Droz SA (Montres Jaquet Droz AG) (Montres Jaquet Droz LTD.)  
Allée du Tourbillon 2, CH-2300 La Chaux-de-Fonds (CH)  
(15) 2014 02 19  
(24) 2014 02 19  
(18) 2029 02 19  
(28) 2  
(28') 2  
(54) WRITING IMPLEMENTS

---

(11) DM/82988  
(73) Tissot SA (Tissot AG) (Tissot LTD)  
Chemin des Tourelles 17, CH-2400 Le Locle (CH)  
(15) 2014 02 25  
(24) 2014 02 25  
(18) 2029 02 25  
(28) 1

---

(28') 1  
(54) WATCH MOVEMENT

---

(11) DM/83661  
(73) Vinero Bağcılık Sanayi Ve Ticaret Anonim Şirketi  
İstinye Mahallesi, Balabandere Caddesi No:14, TR-34460 Sarıyer/Istanbul (TR)  
(15) 2014 01 17  
(24) 2014 01 17  
(18) 2029 01 17  
(28) 1  
(28') 1  
(54) WINE BOTTLE

---

(11) DM/83754  
(73) Društvo Za Proizvodstvo I Trgovija Feydom Furniture Doo Skopje  
ul.1550 br.52, 1000 Skopje (MK)  
(15) 2014 02 20  
(24) 2014 02 20  
(18) 2029 02 20  
(28) 2  
(28') 2  
(54) MODULAR SEATS

---

(11) DM/84661  
(73) Panasonic Electric Works Elektrik Sanayi ve Ticaret Anonim Şirketi  
Abdurrahmangazi Mah. Ebubekir Cad. No:44 34887 Sancaktepe Istanbul (TR)  
(15) 2014 01 24  
(24) 2014 01 24  
(18) 2029 01 24  
(28) 8  
(28') 8  
(54) 1. TWO-GANG EARTHED GROUP SOCKET WITH SWITCH, 2. TWO-GANG EARTHED GROUP SOCKET,  
3. THREE-GANG EARTHED GROUP SOCKET WITH SWITCH, 4. THREE-GANG EARTHED GROUP  
SOCKET, 5. FOUR-GANG EARTHED GROUP SOCKET WITH SWITCH, 6. FOUR-GANG EARTHED  
GROUP SOCKET, 7. SIX-GANG EARTHED GROUP SOCKET WITH SWITCH, 8. SIX-GANG EARTHED  
GROUP SOCKET

---

## CANCELLATION OF INTERNATIONAL DESIGNS REGISTRATION

(11) DM/100022  
(73) Patrois Guillaume  
55 avenue Marceau, F-75016 Paris (FR)  
DATE OF CANCELLATION OF REGISTRATION: 2023 02 06  
(58) 2024 02 23

---

(11) DM/100241  
(73) Voloshyn Sergii  
vul. Akademika Tupoleva, 17, kv. 27, Kyiv 04128 (UA)  
DATE OF CANCELLATION OF REGISTRATION: 2022 10 23  
(58) 2024 02 23

---

(11) DM/100318  
(73) Montres Jaquet Droz SA (Montres Jaquet Droz AG) (Montres Jaquet Droz LTD)  
Allée du Tourbillon 2, CH-2300 La Chaux-de-Fonds (CH)  
DATE OF CANCELLATION OF REGISTRATION: 2023 03 14  
(58) 2024 02 23

---

(11) DM/100324  
(73) Montres Jaquet Droz SA (Montres Jaquet Droz AG) (Montres Jaquet Droz LTD)  
Allée du Tourbillon 2, CH-2300 La Chaux-de-Fonds (CH)  
DATE OF CANCELLATION OF REGISTRATION: 2023 03 19  
(58) 2024 02 23

---

(11) DM/100432  
(73) Eagle Investment Sicav PLC, Acting On Behalf of Itt Fund  
Alpine House, Naxxar Road, San Gwann SGN9032 (MT)  
DATE OF CANCELLATION OF REGISTRATION: 2023 03 13  
(58) 2024 02 23

---

(11) DM/100900  
(73) Bulgarian Industrial Engineering Company LTD  
Shipeto Str. 5, Vladaya village, BG-1641 Sofia-city, Sofia-Municipality (BG)  
DATE OF CANCELLATION OF REGISTRATION: 2023 03 29  
(58) 2024 02 23

---

(11) DM/80479  
(73) Rado Uhren AG (Rado Watch CO. LTD.) (Montres Rado SA)  
Bielstrasse 45, CH-2543 Lengnau (CH)  
DATE OF CANCELLATION OF REGISTRATION: 2023 03 27  
(58) 2024 02 23

---

(11) DM/80503  
(73) Blancpain SA  
Le Rocher 12, CH-1348 LE Brassus (CH)  
DATE OF CANCELLATION OF REGISTRATION: 2023 03 25  
(58) 2024 02 23

---



(11) DM/80507  
(73) Swatch AG (Swatch SA) (Swatch LTD.)  
Jakob-Stämpfli-Strasse 94, CH-2502 Biel/Bienne (CH)  
DATE OF CANCELLATION OF REGISTRATION: 2023 03 26  
(58) 2024 02 23

---

(11) DM/80570  
(73) Toruńskie Zakłady Materiałów Opatrunkowych, Spółka Akcyjna  
Żółkiewskiego 20/26, PL-87-100 Toruń (PL)  
DATE OF CANCELLATION OF REGISTRATION: 2023 03 20  
(58) 2024 02 23

---

(11) DM/80708  
(73) GF Link  
194 rue de la Limite, F-01700 Beynost (FR)  
DATE OF CANCELLATION OF REGISTRATION: 2023 03 20  
(58) 2024 02 23

---

## TRADEMARKS

### EXTENSION OF TERM OF TRADEMARKS REGISTRATION

(111) M 2003 15303 R2

(151) 2003 10 29

(186) 2033 10 29

(732) Mercury Pharma Group Limited  
Dashwood House, 69 Old Broad Street 69,  
London, EC2M 1QS, United Kingdom

5 Eastgate Road, Eastgate Business Park,  
Little Island, Co. Cork, Ireland

(111) M 2004 15406 R2

(151) 2004 02 02

(186) 2034 02 02

(732) Egis Gyógyszergyár ZRT  
30-38, Keresztúri Út, Budapest, H-1106,  
Hungary

(111) M 2004 15628 R2

(151) 2004 08 13

(186) 2034 08 13

(732) Portfolio Concentrate Solutions Unlimited  
Company  
5 Eastgate Road, Eastgate Business Park,  
Little Island, Co. Cork, Ireland

(111) M 2004 15407 R2

(151) 2004 02 02

(186) 2034 02 02

(732) Egis Gyógyszergyár ZRT  
30-38, Keresztúri Út, Budapest, H-1106,  
Hungary

(111) M 2004 15670 R2

(151) 2004 10 05

(186) 2034 10 05

(732) Joint Stock Company "Laghidze"  
Tsinamdzhvishvili St. 150, 0112, Tbilisi,  
Georgia

(111) M 2004 15408 R2

(151) 2004 02 02

(186) 2034 02 02

(732) Egis Gyógyszergyár ZRT  
30-38, Keresztúri Út, Budapest, H-1106,  
Hungary

(111) M 2014 24451 R1

(151) 2014 02 03

(186) 2034 02 03

(732) N.V. Nutricia  
Eerste Stationstraat 186-2712 HM  
Zoetermeer, Netherlands

(111) M 2004 15409 R2

(151) 2004 02 02

(186) 2034 02 02

(732) Egis Gyógyszergyár ZRT  
30-38, Keresztúri Út, Budapest, H-1106,  
Hungary

(111) M 2013 23977 R1

(151) 2013 09 02

(186) 2033 09 02

(732) Kraft Foods Danmark Intellectual  
Property APS  
Ringager 2 A, 2, DK-2605 Brøndby, Denmark

(111) M 2004 15507 R2

(151) 2004 04 16

(186) 2034 04 16

(732) Pliva Hrvatska D.O.O.  
Prilaz Baruna Filipovića 25, 10 000 Zagreb,  
Croatia

(111) M 2013 24264 R1

(151) 2013 11 18

(186) 2033 11 18

(732) LTD "Geotrade"  
Agladze St. 26, bld. 4, ap. 33, 0102, Tbilisi,  
Georgia

(111) M 2004 15626 R2

(151) 2004 08 13

(186) 2034 08 13

(732) Portfolio Concentrate Solutions Unlimited  
Company

(111) M 2013 24336 R1

(151) 2013 12 13

(186) 2033 12 13

(732) Goya Foods Inc.  
350 County Road, Jersey City, New Jersey  
07307, USA

(111) M 2014 24458 R1  
(151) 2014 02 03  
(186) 2034 02 03  
(732) Mikayel Vardanyan  
Bairon St. 3, ap. 38, Yerevan, Armenia

---

(111) M 2013 24347 R1  
(151) 2013 12 13  
(186) 2033 12 13  
(732) Lenovo (Beijing) Limited  
201-H2-6, 2nd Floor, Building 2, No. 6  
Shangdi West Road, Haidian District,  
Beijing 100085, China

---

(111) M 2014 24459 R1  
(151) 2014 02 03  
(186) 2034 02 03  
(732) LLC "Arki Promotion"  
Kipshidze St. 15, Vake-Saburtalo District,  
Tbilisi, Georgia

---

(111) M 2013 24287 R1  
(151) 2013 11 18  
(186) 2033 11 18  
(732) DecoArt LLC  
P.O. Box 297, Stanford, Kentucky 40484, USA

---

(111) M 2014 24542 R1  
(151) 2014 03 12  
(186) 2034 03 12  
(732) Hi-Tec Sports International Holdings B.V.  
Keizersgracht 391 A, 1016 EJ Amsterdam,  
Netherlands

---

(111) M 2014 24548 R1  
(151) 2014 03 12  
(186) 2034 03 12  
(732) Mars Incorporated  
6885 Elm Street Mclean, Virginia  
22101-3883, USA

---

(111) M 2014 24429 R1  
(151) 2014 01 21  
(186) 2034 01 21  
(732) LLC "Heidelberg Cement Georgia"  
Al. Kazbegi Av. 21, 0160, Tbilisi, Georgia

---

(111) M 2014 24430 R1  
(151) 2014 01 21  
(186) 2034 01 21  
(732) LLC "Heidelberg Cement Georgia"  
Al. Kazbegi Av. 21, 0160, Tbilisi, Georgia

---

(111) M 2014 24475 R1  
(151) 2014 02 03  
(186) 2034 02 03  
(732) Zentiva Group A.S.  
U kabelovny 529/16, 102 00 Prague 10,  
Dolní Měcholupy, Czech Republic

---

(111) M 2014 24570 R1  
(151) 2014 03 12  
(186) 2034 03 12  
(732) LTD "Beauty Life"  
Petre Kavtaradze St. 20D, Commercial  
Space 5, floor 3, Tbilisi, Georgia

---

(111) M 2014 24738 R1  
(151) 2014 05 07  
(186) 2034 05 07  
(732) Abbott Laboratories  
100 Abbott Park Road, Abbott Park, Illinois  
60064, USA

---

(111) M 2014 24710 R1  
(151) 2014 04 23  
(186) 2034 04 23  
(732) Accor  
82 rue Henri Farman, 92130 Issy-les-  
Moulineaux, France

---

(111) M 2014 24932 R1  
(151) 2014 06 13  
(186) 2034 06 13  
(732) The Absolut Company Aktiebolag  
SE-117 97 Stockholm, Sweden

---

(111) M 2015 25553 R1  
(151) 2015 01 08  
(186) 2035 01 08  
(732) Aroma Europe Limited  
Agathonos 11, Kapsalos 3087, Limassol  
4044, Cyprus

---

(111) M 2015 25554 R1  
(151) 2015 01 08  
(186) 2035 01 08  
(732) Aroma Europe Limited  
Agathonos 11, Kapsalos 3087, Limassol  
4044, Cyprus

---

(111) M 2014 25154 R1

(151) 2014 09 02

(186) 2034 09 02

(732) Apple Inc.

One Apple Park Way, Cupertino, California  
95014, USA

---

(111) M 2014 25491 R1

(151) 2014 12 10

(186) 2034 12 10

(732) Apple Inc.

One Apple Park Way, Cupertino, California  
95014, USA

---

## COMPLETE TRANSFER OF RIGHTS

(111) M 2021 33593 R  
(732) LLC "Molekula"  
Davit Aghmashenebeli Av. 384A, Kobuleti,  
Georgia  
(770) LLC "Remedium System"  
Al. Kazbegi Av. 24G, 0166, Tbilisi, Georgia  
(580) 2024 02 09

---

(111) M 2022 36011 R  
(732) Plw Papaloves Wine GmbH  
Amtsgericht Düsseldorf, HRB 94813,  
Germany  
(770) JSC "Kindzmarauli Corporation"  
Ilia Chavchavadze St. 55, 4800, Kvareli,  
Georgia  
(580) 2024 02 01

---

(111) M 1997 5299 R  
(732) GlaxoSmithKline Intellectual Property Limited  
GSK Medicines Research Centre, Gunnels  
Wood Road, Stevenage, SG1 2NY, United  
Kingdom  
(770) GlaxoSmithKline Trading Services Limited  
12 Riverwalk, Citywest Business Campus,  
Dublin 24, Ireland  
(580) 2024 02 16

---

(111) M 1997 5300 R  
(732) GlaxoSmithKline Intellectual Property  
Limited  
GSK Medicines Research Centre, Gunnels  
Wood Road, Stevenage, SG1 2NY, United  
Kingdom  
(770) GlaxoSmithKline Trading Services  
Limited  
12 Riverwalk, Citywest Business Campus,  
Dublin 24, Ireland  
(580) 2024 02 16

---

(111) M 1997 5303 R  
(732) GlaxoSmithKline Intellectual Property  
Limited  
GSK Medicines Research Centre, Gunnels  
Wood Road, Stevenage, SG1 2NY, United  
Kingdom  
(770) GlaxoSmithKline Trading Services  
Limited  
12 Riverwalk, Citywest Business Campus,  
Dublin 24, Ireland  
(580) 2024 02 16

---

(111) M 1997 6226 R  
(732) GlaxoSmithKline Intellectual Property  
Limited  
GSK Medicines Research Centre, Gunnels  
Wood Road, Stevenage, United Kingdom SG1  
2NY, United Kingdom  
(770) GlaxoSmithKline Trading Services Limited  
12 Riverwalk, Citywest Business Campus,  
Dublin 24, Ireland  
(580) 2024 02 16

---

(111) M 1997 6227 R  
(732) GlaxoSmithKline Intellectual Property  
Limited  
GSK Medicines Research Centre, Gunnels  
Wood Road, Stevenage, SG1 2NY, United  
Kingdom  
(770) GlaxoSmithKline Trading Services  
Limited  
12 Riverwalk, Citywest Business Campus,  
Dublin 24, Ireland  
(580) 2024 02 16

---

(111) M 1997 6210 R  
(732) GlaxoSmithKline Intellectual Property  
Limited  
GSK Medicines Research Centre, Gunnels  
Wood Road, Stevenage, SG1 2NY, United  
Kingdom  
(770) GlaxoSmithKline Trading Services Limited  
12 Riverwalk, Citywest Business Campus,  
Dublin 24, Ireland  
(580) 2024 02 16

---

(111) M 2023 37126 R  
(732) PLW Papaloves Wine GmbH  
Amtsgericht Düsseldorf, HRB 94813,  
Germany  
(770) JSC "Kindzmarauli Corporation"  
Ilia Chavchavadze St. 55, 4800, Kvareli,  
Georgia  
(580) 2024 02 01

---

(111) M 1999 12598 R  
(732) Mercury Pharma Group Limited  
Dashwood House, 69 Old Broad Street 69,  
London, EC2M 1QS, United Kingdom  
(770) Advanz Pharma Switzerland Sarl  
Rue de Jargonnant 2, c/o TMF Services SA,  
1201 Geneve, Switzerland  
(580) 2023 11 21

---

(111) M 2003 15303 R  
(732) Mercury Pharma Group Limited  
Dashwood House, 69 Old Broad Street 69,  
London, EC2M 1QS, United Kingdom  
(770) Advanz Pharma Switzerland Sarl  
Rue de Jargonnant 2, c/o TMF Services SA,  
1201 Geneve, Switzerland  
(580) 2023 11 21

---

(111) M 1997 7190 R  
(732) Assa Abloy Americas Residential Inc.  
110 Sargent Drive, New Haven,  
Connecticut 06511, USA  
(770) Spectrum Brands, Inc.  
3001 Deming way, Middleton,  
Wisconsin 53562, USA  
(580) 2024 01 26

---

(111) M 2014 24475 R  
(732) Zentiva Group, a.s.  
U kabelovny 529/16, 102 00 Prague 10,  
Dolní Měcholupy, Czech Republic  
(770) Zentiva Group, a.s.  
U Kabelovny 130, 10237 Praha 10,  
Dolni Mecholupy, Czech Republic  
(580) 2024 01 30

---

(111) M 2018 29238 R  
(732) Cheplapharm Arzneimittel GmbH  
Ziegelhof 24, 17489 Greifswald,  
Germany  
(770) AstraZeneca AB  
SE-151 85 Södertälje, Sweden  
(580) 2024 01 31

---

(111) M 2018 29239 R  
(732) Cheplapharm Arzneimittel GmbH  
Ziegelhof 24, 17489 Greifswald,  
Germany  
(770) AstraZeneca AB  
SE-151 85 Södertälje, Sweden  
(580) 2024 01 31

---

## CHANGES OF NAME AND/OR ADDRESS OF TRADEMARKS OWNERS

- 
- |  |   |
|--|---|
| <p>(111) M 2021 33619 R<br/>(732) Marriott International Inc.<br/>7750 Wisconsin Avenue, Bethesda,<br/>Maryland 20814, USA<br/>(770) Marriott International Inc.<br/>10400 Fernwood Road, Bethesda,<br/>Maryland 20817, USA<br/>(580) 2023 12 15</p> <hr/>   | <p>(111) M 2014 25206 R<br/>(732) Marriott International Inc.<br/>7750 Wisconsin Avenue, Bethesda, Maryland<br/>20814, USA<br/>(770) Marriott International Inc.<br/>10400 Fernwood Road, Bethesda, Maryland<br/>20817, USA<br/>(580) 2023 12 15</p> <hr/>  |
| <p>(111) M 2020 32626 R<br/>(732) Marriott International Inc.<br/>7750 Wisconsin Avenue, Bethesda,<br/>Maryland 20814, USA<br/>(770) Marriott International Inc.<br/>10400 Fernwood Road, Bethesda,<br/>Maryland 20817, USA<br/>(580) 2023 12 15</p> <hr/>   | <p>(111) M 2016 26992 R<br/>(732) Preferred Guest Inc.<br/>7750 Wisconsin Avenue, Bethesda, Maryland<br/>20814, USA<br/>(770) Preferred Guest Inc.<br/>One StarPoint, Stamford, Connecticut<br/>06902, USA<br/>(580) 2023 12 06</p> <hr/>   |
| <p>(111) M 2011 21922 R<br/>(732) Specialized Bicycle Components Holding<br/>Company Inc.<br/>a California corporation<br/>15130 Concord circle, Morgan Hill,<br/>California 95037, USA<br/>(770) Specialized Bicycle Components Inc.<br/>a California corporation<br/>15130 Concord circle, Morgan Hill,<br/>California 95037, USA<br/>(580) 2024 01 22</p> <hr/> | <p>(111) M 1997 4951 R<br/>(732) GlaxoSmithKline Trading Services<br/>Limited<br/>12 Riverwalk, Citywest Business<br/>Campus, Dublin 24, Ireland<br/>(770) GlaxoSmithKline Trading Services Limited<br/>Currabinny, Carrigaline, County Cork,<br/>Ireland<br/>(580) 2024 02 16</p> <hr/>                        |
| <p>(111) M 2011 21923 R<br/>(732) Specialized Bicycle Components Holding<br/>Company Inc.<br/>a California corporation<br/>15130 Concord circle, Morgan Hill,<br/>California 95037, USA<br/>(770) Specialized Bicycle Components Inc.<br/>a California corporation<br/>15130 Concord circle, Morgan Hill,<br/>California 95037, USA<br/>(580) 2024 01 22</p> <hr/> | <p>(111) M 2018 29211 R<br/>(732) Marriott International Inc.<br/>a Delaware Corporation<br/>7750 Wisconsin Avenue, Bethesda, Maryland<br/>20814, USA<br/>(770) Marriott International Inc.<br/>a Delaware Corporation<br/>10400 Fernwood Road, Bethesda, Maryland<br/>20817 USA<br/>(580) 2023 12 15</p> <hr/> |
| <p>(111) M 2014 24698 R<br/>(732) Open Education LLC<br/>2222 Ponce De Leon Boulevard, Suite 300,<br/>Coral Gables, Florida 33134, USA<br/>(770) Open English Llc<br/>Edificio Torres de las amèricas, Torre "A",<br/>Piso 15, Punta pacifika, Apartado Postal<br/>0832-0588, panama, Republic of Panama<br/>(580) 2024 02 12</p> <hr/>                            | <p>(111) M 2016 27626 R<br/>(732) Renaissance Hotel Holdings Inc.<br/>7750 Wisconsin Avenue, Bethesda, Maryland<br/>20814, USA<br/>(770) Renaissance Hotel Holdings Inc. Maryland<br/>10400 Fernwood Road, Bethesda,<br/>20817, USA<br/>(580) 2024 01 25</p> <hr/>  |
-

(111) M 2016 27627 R  
(732) Renaissance Hotel Holdings Inc.  
7750 Wisconsin Avenue, Bethesda, Maryland  
20814, USA  
(770) Renaissance Hotel Holdings Inc.  
10400 Fernvud Roud, Betesda, Shtati  
Merilendi 20817, USA  
(580) 2024 01 25

---

(111) M 2016 27628 R  
(732) Renaissance Hotel Holdings Inc.  
7750 Wisconsin Avenue, Bethesda,  
Maryland 20814, USA  
(770) Renaissance Hotel Holdings Inc.  
10400 Fernwood Road, Bethesda,  
Maryland 20817, USA  
(580) 2024 01 25

---

(111) M 2016 27629 R  
(732) Renaissance Hotel Holdings Inc.  
7750 Wisconsin Avenue, Bethesda,  
Maryland 20814, USA  
(770) Renaissance Hotel Holdings Inc.  
10400 Fernwood Road, Bethesda,  
Maryland 20817, USA  
(580) 2024 01 25

---

(111) M 2018 30607 R  
(732) Marriott International Inc.  
7750 Wisconsin Avenue, Bethesda,  
Maryland 20814, USA  
(770) Marriott International Inc.  
10400 Fernwood Road, Bethesda,  
Maryland 20817, USA  
(580) 2023 12 15

---



## CANCELLATION OF TRADEMARKS REGISTRATION

(111) M 2023 37446 R  
(151) 2023 10 20  
(732) Roland Priborskiy  
Kojori, Tskaro St. 1A, Mtatsminda-Krtsanisi  
District, Tbilisi, Georgia  
(141) 2024 02 20

---

(111) M 2023 37609 R  
(151) 2023 11 28  
(732) Tim S.A.  
ul. T. Regeera 111, 43-382 Bielsko-Biala,  
Poland  
(141) 2024 02 20

---

(111) M 2003 15232 R  
(151) 2003 08 14  
(732) Nintendo Co. LTD  
11-1, Hokotate-cho, Kamitoba,  
Minami-ku, Kyoto-shi, Kyoto, Japan  
(141) 2024 02 26

---

(111) M 2003 15233 R  
(151) 2003 08 14  
(732) Nintendo Co. LTD  
11-1, Hokotate-cho, Kamitoba,  
Minami-ku, Kyoto-shi, Kyoto, Japan  
(141) 2024 02 26

---

(111) M 2013 23877 R  
(151) 2013 08 14  
(732) Kasa mia  
Davit Agmasheneblis kheivani, me-12  
kilometri, 0131, Georgia  
(141) 2024 02 26

---

(111) M 2013 23955 R  
(151) 2013 08 16  
(732) LTD "Geoplant"  
Vill. Rukhi, 2100, Zugdidi Region, Georgia  
(141) 2024 02 26

---

(111) M 2013 23878 R  
(151) 2013 08 14  
(732) LTD "Iverta"  
Sanapiro St 10, 0108, Tbilisi, Georgia  
(141) 2024 02 26

---

(111) M 2013 23879 R  
(151) 2013 08 14  
(732) Barnesandnoble.Com LLC  
76 Ninth Avenue, 9th Floor, New York,  
NY 10011, USA  
(141) 2024 02 26

---

(111) M 2013 23880 R  
(151) 2013 08 14  
(732) Barnesandnoble.Com LLC  
76 Ninth Avenue, 9th Floor, New York,  
NY 10011, USA  
(141) 2024 02 26

---

(111) M 2013 23883 R  
(151) 2013 08 14  
(732) Giorgi Kudashvili  
Gamsakhurdia St., bld. 11, ap. 22, 0108,  
Tbilisi, Georgia  
(141) 2024 02 26

---

(111) M 2013 23884 R  
(151) 2013 08 14  
(732) Harrington Development Inc.  
Elivira Mendez Street, Valerino Bldg,  
3rd Floor, Panama, Republic of Panama  
(141) 2024 02 26

---

(111) M 2013 23891 R  
(151) 2013 08 14  
(732) LTD "Lux 2004"  
Tevdore Mghvdeli St. 53, 0154, Tbilisi,  
Georgia  
(141) 2024 02 26

---

(111) M 2013 23896 R  
(151) 2013 08 14  
(732) LTD "Kahveji Parketi"  
Akaki Tsereteli Av. 74, bld. 6, Tbilisi, Georgia  
(141) 2024 02 26

---

(111) M 2013 23899 R  
(151) 2013 08 14  
(732) Bracini Limited  
Intershore Chambers, Road Town, Tortola,  
Virgin Islands (British)  
(141) 2024 02 26

---

(111) M 2013 23900 R  
 (151) 2013 08 14  
 (732) Philip Morris Products S.A.  
 Quai Jeanrenaud 3, 2000 Neuchatel,  
 Switzerland  
 (141) 2024 02 26

---

(111) M 2013 23901 R  
 (151) 2013 08 14  
 (732) Price Costco International Inc.  
 999 Lake Drive, Issaquah, Washington  
 98027, USA  
 (141) 2024 02 26

---

(111) M 2013 23907 R  
 (151) 2013 08 14  
 (732) Twofathers Limited  
 12 Castle Street, St-Helier, JE2 3RT, Jersey  
 (141) 2024 02 26

---

(111) M 2013 23909 R  
 (151) 2013 08 14  
 (732) Oncolytics Biotech Inc.  
 Suite 210, 1167 Kensington Crescent,  
 N.W., Calgary, Alberta T2N 1X7, Canada  
 (141) 2024 02 26

---

(111) M 2013 23910 R  
 (151) 2013 08 14  
 (732) Oncolytics Biotech Inc.  
 Suite 210, 1167 Kensington Crescent,  
 N.W., Calgary, Alberta T2N 1X7, Canada  
 (141) 2024 02 26

---

(111) M 2013 23912 R  
 (151) 2013 08 14  
 (732) Smik Spolka Akcyjna  
 Domaniewska 48, 02-672 Warszawa, Poland  
 (141) 2024 02 26

---

(111) M 2013 23913 R  
 (151) 2013 08 14  
 (732) Smyk Global Assets GmbH  
 K.O. Haeusermann + Partner AG  
 Schwanengasse 5/7, 3011 Bern, Switzerland  
 (141) 2024 02 26

---

(111) M 2013 23914 R  
 (151) 2013 08 14  
 (732) Smyk Global Assets GmbH  
 K.O. Haeusermann + Partner AG  
 Schwanengasse 5/7, 3011 Bern, Switzerland  
 (141) 2024 02 26

---

(111) M 2013 23917 R  
 (151) 2013 08 14  
 (732) Badri Imnadze  
 Barnov St. 184, 0179, Tbilisi, Georgia  
 (141) 2024 02 26

---

(111) M 2013 23918 R  
 (151) 2013 08 14  
 (732) LTD "Randi"  
 Vill. Angisa, 6409, Khelvachauri, Georgia  
 (141) 2024 02 26

---

(111) M 2013 23922 R  
 (151) 2013 08 14  
 (732) VIIV Healthcare UK Limited  
 980 Great West Road, Brentford, Middlesex  
 TW8 9GS, United Kingdom  
 (141) 2024 02 26

---

(111) M 2013 23923 R  
 (151) 2013 08 14  
 (732) DP Everages Limited  
 PO box 309GT, Uglund House, Souch  
 Church Street, George Town, Grand Cayman,  
 Cayman Islands  
 (141) 2024 02 26

---

(111) M 2013 23929 R  
 (151) 2013 08 14  
 (732) LTD "Stromos"  
 Stanislavskiy St. 5, 0159, Tbilisi, Georgia  
 (141) 2024 02 26

---

(111) M 2013 23930 R  
 (151) 2013 08 14  
 (732) Unilever IP Holdings B.V.  
 Weena 455, 3013 AL Rotterdam, Netherlands  
 (141) 2024 02 26

---

(111) M 2013 23931 R  
 (151) 2013 08 14  
 (732) JSC Bank "Republica"  
 Grigol Abashidze St. 2, 0179, Tbilisi, Georgia  
 (141) 2024 02 26

---

(111) M 2013 23933 R  
(151) 2013 08 14  
(732) Poznańskie Zakłady Zielarskie Herbapol S.A.  
61-896, Poznań, ul. Towarowa 47/51, Poland  
(141) 2024 02 26

---

(111) M 2013 23941 R  
(151) 2013 08 14  
(732) Aktsionernoe obshchestvo "TehnoNIKOL"  
Ul. Giliarovskovo, Dom. 47, Stroenie 5, Et. 5,  
Pom. 1, Kom. 22, 129110, Moscow, Russian  
Federation  
(141) 2024 02 26

---

(111) M 2013 23943 R  
(151) 2013 08 14  
(732) The Gillette Company LLC  
One Gillette Park, Boston, Massachusetts  
02127, USA  
(141) 2024 02 26

---

(111) M 2013 23944 R  
(151) 2013 08 14  
(732) Gallaher Limited  
Members Hill, Brooklands Road, Weybridge,  
Surrey KT13 0QU, United Kingdom  
(141) 2024 02 26

---

(111) M 2013 23948 R  
(151) 2013 08 14  
(732) Novartis AG  
4002 Basel, Switzerland  
(141) 2024 02 26

---

(111) M 2013 23957 R  
(151) 2013 08 16  
(732) LTD "Gutjaani Ice Cream 2012"  
Gldani, IV m/r, bld. 1, ap. 45, 0167, Tbilisi,  
Georgia  
(141) 2024 02 26

---

(111) M 2013 23960 R  
(151) 2013 08 21  
(732) Obshchestvo s Organichennoy Otvetstven-  
nostiu "Aleksandrovi Pogreba"  
Altufievskoe Shose, dom 79a, Stroenie 25,  
Moscow, 127410, Russian Federation  
(141) 2024 03 01

---

(111) M 2013 23958 R  
(151) 2013 08 20  
(732) GS1 Assoviation Internationale Sans  
But Lucratif  
Avenue Louise 326, B-1050 Bruxelles,  
Belgium  
(141) 2024 03 01

---

(111) M 2013 23956 R  
(151) 2013 08 16  
(732) GS1 Association Internationale  
Sans But Lucratif  
Avenue Louise 326, B-1050 Bruxelles,  
Belgium  
(141) 2024 02 26

---

# CLASSIFICATION INDEXES

## INVENTIONS

### CONCORDANCE TABLE OF INTERNATIONAL CLASSIFICATION INDEX AND PUBLICATION NUMBER

INTERNATIONAL CLASSIFICATION INDEXES (51)	NUMBER OF PUBLISHED APPLICATION (10)
A 61 K 31/47; A 61 P 35/00; C 07 D 215/233	AP 2024 15849 A
A 61 K 31/53; A 61 P 5/14; C 07 D 401/14; C 07 D 403/12; C 07 D 403/14	AP 2024 15821 A
A 61 K 31/375; A 61 K 31/56; A 61 K 31/454; A 61 P 11/06; A 61 P 43/00; A 61 P 37/00	AP 2024 15619 A
A 61 K 31/4439; A 61 K 31/55; A 61 K 31/5377; A 61 K 31/519; A 61 K 31/517; A 61 K 31/506; A 61 K 31/5025; A 61 K 31/502; A 61 K 31/454; A 61 P 35/00	AP 2024 15955 A
E 05 B 63/00; E 05 B 19/18	AP 2024 15502 A

### CONCORDANCE TABLE OF PUBLICATION NUMBER AND INTERNATIONAL CLASSIFICATION INDEX

NUMBER OF PUBLISHED APPLICATION (10)	INTERNATIONAL CLASSIFICATION INDEXES (51)
AP 2024 15502 A	E 05 B 63/00; E 05 B 19/18
AP 2024 15619 A	A 61 K 31/375; A 61 K 31/56; A 61 K 31/454; A 61 P 11/06; A 61 P 43/00; A 61 P 37/00
AP 2024 15821 A	A 61 K 31/53; A 61 P 5/14; C 07 D 401/14; C 07 D 403/12; C 07 D 403/14
AP 2024 15849 A	A 61 K 31/47; A 61 P 35/00; C 07 D 215/233
AP 2024 15955 A	A 61 K 31/4439; A 61 K 31/55; A 61 K 31/5377; A 61 K 31/519; A 61 K 31/517; A 61 K 31/506; A 61 K 31/5025; A 61 K 31/502; A 61 K 31/454; A 61 P 35/00

### CONCORDANCE TABLE OF INTERNATIONAL CLASSIFICATION INDEX, PATENT NUMBER AND PUBLICATION NUMBER

INTERNATIONAL CLASSIFICATION INDEX (51)	NUMBER OF PATENT (11)	NUMBER OF PUBLISHED APPLICATION (10)
A 61 K 9/48; A 61 K 31/606; A 61 K 9/28; A 61 K 9/20	P 2024 7608 B	AP 2023 15683 A
A 61 K 31/4025; A 61 K 31/4015; A 61 P 31/14; C 07 D 401/12; C 07 D 207/267; C 07 D 403/12; C 07 D 497/04; C 07 D 403/14	P 2024 7607 B	AP 2023 15927 A
A 61 K 31/496; A 61 K 47/10; A 61 K 9/00; A 61 K 9/08	P 2024 7606 B	AP 2023 15674 A
A 61 K 36/899; A 61 K 36/53; A 61 K 36/33; A 61 K 36/36; A 61 K 36/18; A 61 K 31/11	P 2024 7605 B	AP 2023 15538 A
A 61 P 35/00; C 07 D 487/04; C 07 D 519/00	P 2024 7611 B	AP 2023 15897 A
B 22 D 11/06	P 2024 7612 B	AP 2023 16173 A
C 12 N 1/20; C 12 P 21/02; C 12 R 1/145	P 2024 7609 B	AP 2023 16010 A
E 04 F 11/18	P 2024 7610 B	AP 2023 15758 A

**CONCORDANCE TABLE OF PATENT NUMBER,  
PUBLICATION NUMBER AND INTERNATIONAL CLASSIFICATION INDEX**

NUMBER OF PATENT (11)	NUMBER OF PUBLISHED APPLICATION (10)	INTERNATIONAL CLASSIFICATION INDEX (51)
P 2024 7605 B	AP 2023 15538 A	A 61 K 36/899; A 61 K 36/53; A 61 K 36/33; A 61 K 36/36; A 61 K 36/18; A 61 K 31/11
P 2024 7606 B	AP 2023 15674 A	A 61 K 31/496; A 61 K 47/10; A 61 K 9/00; A 61 K 9/08
P 2024 7607 B	AP 2023 15927 A	A 61 K 31/4025; A 61 K 31/4015; A 61 P 31/14; C 07 D 401/12; C 07 D 207/267; C 07 D 403/12; C 07 D 497/04; C 07 D 403/14
P 2024 7608 B	AP 2023 15683 A	A 61 K 9/48; A 61 K 31/606; A 61 K 9/28; A 61 K 9/20
P 2024 7609 B	AP 2023 16010 A	C 12 N 1/20; C 12 P 21/02; C 12 R 1/145
P 2024 7610 B	AP 2023 15758 A	E 04 F 11/18
P 2024 7611 B	AP 2023 15897 A	A 61 P 35/00; C 07 D 487/04; C 07 D 519/00
P 2024 7612 B	AP 2023 16173 A	B 22 D 11/06

**CONCORDANCE TABLE OF APPLICATION NUMBER,  
PUBLICATION NUMBER AND PATENT**

NUMBER OF APPLICATION (21)	NUMBER OF PUBLISHED APPLICATION (10)	NUMBER OF PATENT (11)
AP 2018 15538	AP 2023 15538 A	P 2024 7605 B
AP 2019 15674	AP 2023 15674 A	P 2024 7606 B
AP 2019 15683	AP 2023 15683 A	P 2024 7608 B
AP 2020 15758	AP 2023 15758 A	P 2024 7610 B
AP 2020 15897	AP 2023 15897 A	P 2024 7611 B
AP 2021 15927	AP 2023 15927 A	P 2024 7607 B
AP 2020 16010	AP 2023 16010 A	P 2024 7609 B
AP 2023 16173	AP 2023 16173 A	P 2024 7612 B

**APPLICATIONS<sup>\*\*\*</sup>**

**CONCORDANCE TABLE OF INTERNATIONAL CLASSIFICATION INDEX  
AND PUBLICATION NUMBER**

INTERNATIONAL CLASSIFICATION INDEXES (51)	NUMBER OF PUBLISHED APPLICATION (10)
A 61 P 35/00; C 07 K 16/28	AP 2024 16379 A
B 22 F 9/02	AP 2024 16336 A

**CONCORDANCE TABLE OF PUBLICATION NUMBER  
AND INTERNATIONAL CLASSIFICATION INDEX**

NUMBER OF PUBLISHED APPLICATION (10)	INTERNATIONAL CLASSIFICATION INDEXES (51)
AP 2024 16336 A	B 22 F 9/02
AP 2024 16379 A	A 61 P 35/00; C 07 K 16/28

**PATENT\*\*\***

**CONCORDANCE TABLE OF INTERNATIONAL CLASSIFICATION INDEX,  
PATENT NUMBER AND PUBLICATION NUMBER**

INTERNATIONAL CLASSIFICATION INDEX (51)	NUMBER OF PATENT (11)	NUMBER OF PUBLISHED APPLICATION (10)
B 22 F 9/02	P 2024 7613 B	AP 2024 16336 A

**CONCORDANCE TABLE OF PATENT NUMBER,  
PUBLICATION NUMBER AND INTERNATIONAL CLASSIFICATION INDEX**

NUMBER OF PATENT (11)	NUMBER OF PUBLISHED APPLICATION (10)	INTERNATIONAL CLASSIFICATION INDEX (51)
P 2024 7613 B	AP 2024 16336 A	B 22 F 9/02

**CONCORDANCE TABLE OF APPLICATION NUMBER,  
PUBLICATION NUMBER AND PATENT**

NUMBER OF APPLICATION (21)	NUMBER OF PUBLISHED APPLICATION (10)	NUMBER OF PATENT (11)
AP 2023 16336	AP 2024 16336 A	P 2024 7613 B

## UTILITY MODELS APPLICATION\*\*\*

### CONCORDANCE TABLE OF INTERNATIONAL CLASSIFICATION INDEX AND PUBLICATION NUMBER

INTERNATIONAL CLASSIFICATION INDEXES (51)	NUMBER OF PUBLISHED APPLICATION (10)
A 61 K 36/00	AU 2024 16308 U

### CONCORDANCE TABLE OF PUBLICATION NUMBER AND INTERNATIONAL CLASSIFICATION INDEX

NUMBER OF PUBLISHED APPLICATION (10)	INTERNATIONAL CLASSIFICATION INDEXES (51)
AU 2024 16308 U	A 61 K 36/00

## REGISTERED UTILITY MODELS\*\*\*

### CONCORDANCE TABLE OF INTERNATIONAL CLASSIFICATION INDEX, REGISTRATION NUMBER AND PUBLICATION NUMBER

INTERNATIONAL CLASSIFICATION INDEXES (51)	NUMBER OF UTILITY MODEL REGISTRATION (11)	NUMBER OF PUBLISHED APPLICATION (10)
A 61 K 36/00	U 2024 2171 Y	AU 2024 16308 U

### CONCORDANCE TABLE OF REGISTRATION NUMBER, PUBLICATION NUMBER AND INTERNATIONAL CLASSIFICATION INDEX

NUMBER OF UTILITY MODEL REGISTRATION (11)	NUMBER OF PUBLISHED APPLICATION (10)	INTERNATIONAL CLASSIFICATION INDEXES (51)
U 2024 2171 Y	AU 2024 16308 U	A 61 K 36/00

### CONCORDANCE TABLE OF APPLICATION NUMBER, PUBLICATION NUMBER AND REGISTRATION NUMBER

NUMBER OF APPLICATION (21)	NUMBER OF PUBLISHED APPLICATION (10)	NUMBER OF UTILITY MODEL REGISTRATION (11)
AU 2023 16308	AU 2024 16308 U	U 2024 2171 Y

**DESIGNS****CONCORDANCE TABLE OF INTERNATIONAL CLASSIFICATION INDEX  
AND PUBLICATION NUMBER**

INTERNATIONAL CLASSIFICATION INDEXES (51)	NUMBER OF PUBLISHED APPLICATION (10)
19-08	AD 2024 1332 S
21-01	AD 2024 1336 S
27-07	AD 2024 1331 S
27-07	AD 2024 1333 S

**CONCORDANCE TABLE OF PUBLICATION NUMBER  
AND INTERNATIONAL CLASSIFICATION INDEX**

NUMBER OF PUBLISHED APPLICATION (10)	INTERNATIONAL CLASSIFICATION INDEXES (51)
AD 2024 1331 S	27-07
AD 2024 1332 S	19-08
AD 2024 1333 S	27-07
AD 2024 1336 S	21-01

**CONCORDANCE TABLE OF INTERNATIONAL CLASSIFICATION INDEX,  
NUMBER OF REGISTRATION AND PUBLICATION NUMBER**

INTERNATIONAL CLASSIFICATION INDEXES (51)	NUMBER OF REGISTRATION (11)	NUMBER OF PUBLISHED APPLICATION (10)
09-03	D 2024 995 S	AD 2023 1320 S
11-01	D 2024 997 S	AD 2023 1321 S

**CONCORDANCE TABLE OF NUMBER OF REGISTRATION,  
PUBLICATION NUMBER AND INTERNATIONAL CLASSIFICATION INDEX**

NUMBER OF REGISTRATION (11)	NUMBER OF PUBLISHED APPLICATION (10)	INTERNATIONAL CLASSIFICATION INDEXES (51)
D 2024 995 S	AD 2023 1320 S	09-03
D 2024 997 S	AD 2023 1321 S	11-01



**CONCORDANCE TABLE OF APPLICATION NUMBER,  
PUBLICATION NUMBER AND NUMBER OF REGISTRATION**

NUMBER OF APPLICATION (21)	NUMBER OF PUBLISHED APPLICATION (10)	NUMBER OF REGISTRATION (11)
AD 2023 1320	AD 2023 1320 S	D 2024 995 S
AD 2023 1321	AD 2023 1321 S	D 2024 997 S

**DESIGNS REGISTERED ACCORDING TO THE ACCELERATED  
PROCEDURE**

**CONCORDANCE TABLE OF INTERNATIONAL CLASSIFICATION INDEX  
AND PUBLICATION NUMBERS**

INTERNATIONAL CLASSIFICATION INDEXES (51)	NUMBER OF REGISTRATION (11)
09-01	D 2024 996 S

**CONCORDANCE TABLE OF PUBLICATION NUMBERS  
AND INTERNATIONAL CLASSIFICATION INDEX**

NUMBER OF REGISTRATION (11)	INTERNATIONAL CLASSIFICATION INDEXES (51)
D 2024 996 S	09-01

**CONCORDANCE TABLE OF APPLICATION NUMBERS,  
PUBLICATION NUMBERS AND PATENTS**

NUMBER OF APPLICATION (21)	NUMBER OF REGISTRATION (11)
AD 2024 1368	D 2024 996 S

## TRADEMARKS

### CONCORDANCE TABLE OF REGISTRATION NUMBERS, APPLICATION NUMBERS, PUBLICATION NUMBERS AND BULLETIN NUMBERS

NUMBER OF REGISTRATION (111)	NUMBER OF APPLICATIONS (210)	NUMBER OF PUBLISHED APPLICATIONS (260)	NUMBER OF BULLETIN
M 2024 37935 R		–	5(632)2024
M 2024 37936 R		–	5(632)2024
M 2024 37937 R		–	5(632)2024
M 2024 37938 R		–	5(632)2024
M 2024 37939 R		–	5(632)2024
M 2024 37940 R		–	5(632)2024
M 2024 37941 R		–	5(632)2024
M 2024 37942 R		–	5(632)2024
M 2024 37943 R		–	5(632)2024
M 2024 37944 R		–	5(632)2024
M 2024 37945 R		–	5(632)2024
M 2024 37946 R		–	5(632)2024
M 2024 37947 R		–	5(632)2024
M 2024 37948 R	AM 122120	AM 2023 122120 A	20(623)2023
M 2024 37949 R		–	5(632)2024
M 2024 37950 R		–	5(632)2024
M 2024 37951 R		–	5(632)2024
M 2024 37952 R		–	5(632)2024
M 2024 37953 R		–	5(632)2024
M 2024 37954 R		–	5(632)2024
M 2024 37955 R		–	5(632)2024
M 2024 37956 R	AM 110203	AM 2023 110203 A	15(618)2023
M 2024 37957 R	AM 110204	AM 2023 110204 A	15(618)2023
M 2024 37958 R	AM 120514	AM 2023 120514 A	15(618)2023
M 2024 37959 R	AM 120701	AM 2023 120701 A	15(618)2023
M 2024 37960 R	AM 121298	AM 2023 121298 A	17(620)2023
M 2024 37961 R	AM 121347	AM 2023 121347 A	17(620)2023
M 2024 37962 R	AM 121436	AM 2023 121436 A	17(620)2023
M 2024 37963 R	AM 121500	AM 2023 121500 A	18(621)2023
M 2024 37964 R	AM 121530	AM 2023 121530 A	19(622)2023
M 2024 37965 R	AM 121531	AM 2023 121531 A	19(622)2023
M 2024 37966 R	AM 121733	AM 2023 121733 A	21(624)2023
M 2024 37967 R	AM 121764	AM 2023 121764 A	19(622)2023
M 2024 37968 R	AM 121769	AM 2023 121769 A	20(623)2023
M 2024 37969 R	AM 121901	AM 2023 121901 A	21(624)2023
M 2024 37970 R	AM 121902	AM 2023 121902 A	21(624)2023
M 2024 37971 R	AM 122008	AM 2023 122008 A	21(624)2023
M 2024 37972 R	AM 122016	AM 2023 122016 A	21(624)2023
M 2024 37973 R	AM 122197	AM 2023 122197 A	21(624)2023
M 2024 37974 R	AM 122205	AM 2023 122205 A	21(624)2023
M 2024 37975 R	AM 122212	AM 2023 122212 A	21(624)2023
M 2024 37976 R	AM 122224	AM 2023 122224 A	21(624)2023
M 2024 37977 R	AM 122386	AM 2023 122386 A	21(624)2023
M 2024 37978 R	AM 122389	AM 2023 122389 A	21(624)2023
M 2024 37979 R	AM 122405	AM 2023 122405 A	21(624)2023
M 2024 37980 R	AM 122423	AM 2023 122423 A	21(624)2023
M 2024 37981 R	AM 122500	AM 2023 122500 A	21(624)2023

CONCORDANCE TABLE OF INDEX OF GOODS AND/OR SERVICES  
AND APPLICATION NUMBERS

NUMBER OF PUBLISHED APPLICATIONS (260)	NUMBER OF APPLICATIONS (210)	1	2
1	2		
AM 2024 120367 A	AM 120367	AM 2024 123900 A	AM 123900
AM 2024 122031 A	AM 122031	AM 2024 123901 A	AM 123901
AM 2024 122032 A	AM 122032	AM 2024 123902 A	AM 123902
AM 2024 122293 A	AM 122293	AM 2024 123906 A	AM 123906
AM 2024 122294 A	AM 122294	AM 2024 123913 A	AM 123913
AM 2024 122648 A	AM 122648	AM 2024 123916 A	AM 123916
AM 2024 122749 A	AM 122749	AM 2024 123917 A	AM 123917
AM 2024 123314 A	AM 123314	AM 2024 123996 A	AM 123996
AM 2024 123337 A	AM 123337	AM 2024 124021 A	AM 124021
AM 2024 123347 A	AM 123347	AM 2024 124048 A	AM 124048
AM 2024 123363 A	AM 123363	AM 2024 124050 A	AM 124050
AM 2024 123421 A	AM 123421	AM 2024 124144 A	AM 124144
AM 2024 123479 A	AM 123479	AM 2024 124145 A	AM 124145
AM 2024 123509 A	AM 123509	AM 2024 124147 A	AM 124147
AM 2024 123513 A	AM 123513	AM 2024 124154 A	AM 124154
AM 2024 123580 A	AM 123580	AM 2024 124158 A	AM 124158
AM 2024 123593 A	AM 123593	AM 2024 124163 A	AM 124163
AM 2024 123600 A	AM 123600	AM 2024 124165 A	AM 124165
AM 2024 123604 A	AM 123604	AM 2024 124166 A	AM 124166
AM 2024 123619 A	AM 123619	AM 2024 124168 A	AM 124168
AM 2024 123625 A	AM 123625	AM 2024 124174 A	AM 124174
AM 2024 123887 A	AM 123887	AM 2024 124219 A	AM 124219
AM 2024 123888 A	AM 123888	AM 2024 124222 A	AM 124222
AM 2024 123889 A	AM 123889	AM 2024 124224 A	AM 124224
AM 2024 123890 A	AM 123890	AM 2024 124236 A	AM 124236
AM 2024 123891 A	AM 123891	AM 2024 124242 A	AM 124242
AM 2024 123892 A	AM 123892	AM 2024 124248 A	AM 124248
AM 2024 123893 A	AM 123893	AM 2024 124305 A	AM 124305
AM 2024 123895 A	AM 123895	AM 2024 124306 A	AM 124306
AM 2024 123897 A	AM 123897	AM 2024 124322 A	AM 124322
AM 2024 123898 A	AM 123898	AM 2024 124331 A	AM 124331
AM 2024 124349 A	AM 124349	AM 2024 124332 A	AM 124332
AM 2024 124355 A	AM 124355	AM 2024 124339 A	AM 124339
AM 2024 123899 A	AM 123899	AM 2024 124340 A	AM 124340
		AM 2024 124345 A	AM 124345
		AM 2024 124412 A	AM 124412
		AM 2024 124831 A	AM 124831

CONCORDANCE TABLE OF PUBLICATION NUMBERS  
AND APPLICATION NUMBERS

INDEX OF GOODS AND/OR SERVICES (511)	NUMBER OF PUBLISHED APPLICATIONS (260)	1	2
1	AM 2024 122648 A	10	AM 2024 122648 A
1	AM 2024 123625 A	11	AM 2024 122648 A
1	AM 2024 124322 A	11	AM 2024 123314 A
2	AM 2024 122648 A	11	AM 2024 123625 A
2	AM 2024 123625 A	11	AM 2024 123906 A
3	AM 2024 122648 A	12	AM 2024 122648 A
3	AM 2024 123337 A	12	AM 2024 123619 A
3	AM 2024 123625 A	12	AM 2024 123625 A
3	AM 2024 124339 A	12	AM 2024 123917 A
3	AM 2024 124340 A	12	AM 2024 124048 A
4	AM 2024 122648 A	12	AM 2024 124050 A
5	AM 2024 122648 A	13	AM 2024 122648 A
5	AM 2024 123337 A	14	AM 2024 122648 A
5	AM 2024 123600 A	15	AM 2024 122648 A
5	AM 2024 123887 A	16	AM 2024 122648 A
5	AM 2024 123888 A	16	AM 2024 123625 A
5	AM 2024 123889 A	17	AM 2024 122648 A
5	AM 2024 123890 A	17	AM 2024 123625 A
5	AM 2024 123891 A	18	AM 2024 122648 A
5	AM 2024 123892 A	19	AM 2024 122648 A
5	AM 2024 123893 A	20	AM 2024 122648 A
5	AM 2024 123895 A	21	AM 2024 122648 A
5	AM 2024 123897 A	21	AM 2024 123314 A
5	AM 2024 123898 A	22	AM 2024 122648 A
5	AM 2024 123899 A	23	AM 2024 122648 A
5	AM 2024 123900 A	24	AM 2024 122648 A
5	AM 2024 123901 A	25	AM 2024 122648 A
5	AM 2024 123902 A	25	AM 2024 123363 A
5	AM 2024 123913 A	25	AM 2024 123513 A
5	AM 2024 124322 A	25	AM 2024 123580 A
6	AM 2024 122648 A	25	AM 2024 123625 A
6	AM 2024 123625 A	25	AM 2024 124158 A
7	AM 2024 122648 A	25	AM 2024 124163 A
7	AM 2024 123619 A	25	AM 2024 124165 A
7	AM 2024 123625 A	25	AM 2024 124166 A
7	AM 2024 124168 A	25	AM 2024 124174 A
7	AM 2024 124306 A	25	AM 2024 124412 A
8	AM 2024 122648 A	25	AM 2024 124831 A
8	AM 2024 123314 A	26	AM 2024 122648 A
8	AM 2024 123625 A	27	AM 2024 122648 A
9	AM 2024 122648 A	28	AM 2024 122648 A
9	AM 2024 122749 A	29	AM 2024 123509 A
9	AM 2024 123625 A	29	AM 2024 124355 A
9	AM 2024 124048 A	30	AM 2024 123509 A
9	AM 2024 124050 A	30	AM 2024 123593 A
9	AM 2024 124147 A	30	AM 2024 124021 A
9	AM 2024 124339 A	30	AM 2024 124355 A
9	AM 2024 124340 A	31	AM 2024 122648 A
		31	AM 2024 123509 A
		32	AM 2024 122031 A
		32	AM 2024 122032 A
		32	AM 2024 122648 A

1	2	3	4
32	AM 2024 123421 A	35	AM 2024 124831 A
32	AM 2024 123509 A	36	AM 2024 122648 A
32	AM 2024 124331 A	36	AM 2024 123479 A
32	AM 2024 124332 A	36	AM 2024 123916 A
32	AM 2024 124355 A	36	AM 2024 124147 A
33	AM 2024 122648 A	37	AM 2024 122648 A
33	AM 2024 123996 A	37	AM 2024 123619 A
33	AM 2024 124305 A	37	AM 2024 123916 A
33	AM 2024 124331 A	37	AM 2024 124219 A
33	AM 2024 124332 A	37	AM 2024 124222 A
34	AM 2024 122648 A	37	AM 2024 124242 A
34	AM 2024 123604 A	38	AM 2024 122648 A
34	AM 2024 124236 A	39	AM 2024 122648 A
34	AM 2024 124345 A	39	AM 2024 124224 A
34	AM 2024 124349 A	40	AM 2024 122648 A
35	AM 2024 122031 A	41	AM 2024 122293 A
35	AM 2024 122032 A	41	AM 2024 122294 A
35	AM 2024 123347 A	41	AM 2024 122648 A
35	AM 2024 123593 A	41	AM 2024 124144 A
35	AM 2024 123600 A	41	AM 2024 124145 A
35	AM 2024 123619 A	41	AM 2024 124147 A
35	AM 2024 123625 A	42	AM 2024 122648 A
35	AM 2024 124048 A	42	AM 2024 124147 A
35	AM 2024 124050 A	42	AM 2024 124168 A
35	AM 2024 124147 A	42	AM 2024 124248 A
35	AM 2024 124154 A	43	AM 2024 120367 A
35	AM 2024 124158 A	43	AM 2024 122648 A
35	AM 2024 124163 A	43	AM 2024 123479 A
35	AM 2024 124165 A	43	AM 2024 124331 A
35	AM 2024 124166 A	43	AM 2024 124332 A
35	AM 2024 124174 A	43	AM 2024 124355 A
35	AM 2024 124224 A	44	AM 2024 122648 A
35	AM 2024 124242 A	45	AM 2024 122648 A

CONCORDANCE TABLE OF INDEX OF GOODS AND/OR SERVICES  
AND NUMBERS OF TRADEMARKS REGISTERED ACCORDING  
TO THE ACCELERATED PROCEDURE

INDEX OF GOODS AND/OR SERVICES (511)	NUMBERS OF REGISTERED ACCORDING TO THE ACCELERATED PROCEDURE (111)
1	M 2024 37940 R
4	M 2024 37938 R
4	M 2024 37939 R
9	M 2024 37943 R
9	M 2024 37944 R
9	M 2024 37945 R
9	M 2024 37949 R
9	M 2024 37952 R
28	M 2024 37949 R
29	M 2024 37941 R
30	M 2024 37941 R
33	M 2024 37937 R
34	M 2024 37935 R
34	M 2024 37942 R
34	M 2024 37953 R
34	M 2024 37954 R
34	M 2024 37955 R
35	M 2024 37936 R
35	M 2024 37943 R
35	M 2024 37944 R
35	M 2024 37945 R
36	M 2024 37943 R
36	M 2024 37944 R
36	M 2024 37945 R
36	M 2024 37950 R
36	M 2024 37951 R
39	M 2024 37947 R
41	M 2024 37946 R
41	M 2024 37949 R
42	M 2024 37936 R

# OFFICIAL BULLETIN OF THE INDUSTRIAL PROPERTY

**INVENTIONS**  
**UTILITY MODELS**  
**DESIGNS**  
**TRADEMARKS**

**5(632)**

EDITOR-IN-CHIEF: N. Bebrishvili

EDITOR-TRANSLATOR: E. Gabunia

PROOFREADER: A. Shikhashvili

COMPUTER LAYOUT: M. Ordenidze  
K. Svanidze

ISSN 2720-8486

[info@sakpatenti.gov.ge](mailto:info@sakpatenti.gov.ge)  
[www.sakpatenti.gov.ge](http://www.sakpatenti.gov.ge)

**LIST OF CODES, IN ALPHABETIC SEQUENCE, AND THE CORRESPONDING (SHORT) NAMES OF STATES, OTHER ENTITIES AND INTERGOVERNMENTAL ORGANIZATIONS  
(WIPO STANDARD ST.3)**

AD	Andorra				
AE	United Arab Emirates	GD	Grenada	NE	Niger
AF	Afghanistan	GG	Guernsey	NG	Nigeria
AG	Antigua and Barbuda	GH	Ghana	NI	Nicaragua
AI	Anguilla	GI	Gibraltar	NL	Netherlands
AL	Albania	GT	Guatemala	NO	Norway
AM	Armenia	GW	Guinea- Bissau	NP	Nepal
AN	Netherlands Antilles	GY	Guyana	NR	Nauru
AO	Angola	HK	The Hong Kong Special Administrative Region of the People's Republic of China	NZ	New Zealand
AP	African Regional Intellectual Property Organization (ARIPO)	HN	Honduras	OA	African Intellectual Property Organization (OAPI)
AR	Argentina	HR	Croatia	OM	Oman
AT	Austria	HT	Haiti	PA	Panama
AU	Australia	HU	Hungary	PE	Peru
AW	Aruba	IB	International Bureau of the World Intellectual Property Organization (WIPO)	PG	Papua New Guinea
AZ	Azerbaijan	ID	Indonesia	PH	Philippines
BA	Bosnia and Herzegovina	IE	Ireland	PK	Pakistan
BB	Barbados	IL	Israel	PL	Poland
BD	Bangladesh	IM	Isle of Man	PT	Portugal
BE	Belgium	IN	India	PW	Palau
BF	Burkina Faso	IQ	Iraq	PY	Paraguay
BG	Bulgaria	ID	Indonesia	QA	Qatar
BH	Bahrain	IE	Ireland	QZ	Community Plant Variety Office (European Community) (CPVO)
BI	Burundi	IL	Israel	RO	Romania
BJ	Benin	IM	Isle of Man	RS	Serbia
BM	Bermuda	IN	India	RU	Russian Federation
BN	Brunei Darussalam	IQ	Iraq	RW	Rwanda
BO	Bolivia	IR	Iran (Islamic Republic of)	SA	Saudi Arabia
BR	Brazil	IS	Iceland	SB	Solomon Islands
BS	Bahamas	IT	Italy	SC	Seychelles
BT	Bhutan	JE	Jersey	SD	Sudan
BV	Bouvet Island	JM	Jamaica	SG	Singapore
BW	Botswana	JO	Jordan	SH	Saint Helena
BX	Benelux Office for Intellectual Property (BOIP)	JP	Japan	SI	Slovenia
BY	Belarus	KE	Kenya	SK	Slovakia
BZ	Belize	KG	Kyrgyzstan	SL	Sierra Leone
CA	Canada	KH	Cambodia	SM	San Marino
CD	Democratic Republic of the Congo	KI	Kiribati	SN	Senegal
CF	Central African Republic	KM	Saint Kitts and Nevis	SO	Somalia
CG	Congo	KP	Democratic People's Republic of Korea	SR	Suriname
CH	Switzerland	KR	Republic of Korea	ST	Sao Tome and Principe
CI	Cote d'Ivoire	KW	Kuwait	SV	El Salvador
CK	Cook Islands	KY	Cayman Islands	SY	Syrian Arab Republic
CL	Chile	KZ	Kazakhstan	SZ	Swaziland
CM	Cameroon	LA	Lao People's Democratic Republic	TC	Turks and Caicos Islands
CN	China	LB	Lebanon	TD	Chad
CO	Colombia	LC	Saint Lucia	TG	Togo
CR	Costa Rica	LI	Liechtenstein	TH	Thailand
CU	Cuba	LK	Sri Lanka	TJ	Tajikistan
CV	Cape Verde	LR	Liberia	TL	Timor-Leste
CY	Cyprus	LS	Lesotho	TM	Turkmenistan
CZ	Czech Republic	LT	Lithuania	TN	Tunisia
DE	Germany	LU	Luxembourg	TO	Tonga
DJ	Djibouti	LV	Latvia	TR	Turkey
DM	Dominica	LY	Libyan Arab Jamahiriya	SE	Sweden
DO	Dominican Republic	MA	Morocco	TT	Trinidad and Tobago
DZ	Algeria	MC	Monaco	TV	Tuvalu
EA	Eurasian Patent Organization (EAPO)	MD	Republic of Moldova	TW	Taiwan, Province of China
EC	Ecuador	ME	Montenegro	TZ	United Republic of Tanzania
EE	Estonia	MG	Madagascar	UA	Ukraine
EG	Egypt	MK	The former Yugoslav Republic of Macedonia	UG	Uganda
EH	Western Sahara	ML	Mali	US	United States of America
EM	Office for Harmonization in the Internal Market (Trademarks and Designs)(OHIM)	MM	Myanmar	UY	Uruguay
EP	European Patent Office (EPO)	MN	Mongolia	UZ	Uzbekistan
ER	Eritrea	MO	Macao	VA	Holy See
ES	Spain	MP	Northern Mariana Islands	VC	Saint Vincent and the Grenadines
ET	Ethiopia	MR	Mauritania	VE	Venezuela
FI	Finland	MS	Montserrat	VG	Virgin Islands (British)
FJ	Fiji	MT	Malta	VN	Viet Nam
FK	Falkland Islands (Malvinas)	MU	Mauritius	VU	Vanuatu
FO	Faroe Islands	MV	Maldives	WO	World Intellectual Property Organization (WIPO)
FR	France	MW	Malawi	WS	Samoa
GA	Gabon	MX	Mexico	XN	Nordic Patent Institute (NPI)
GB	United Kingdom	MY	Malaysia	YE	Yemen
GC	Patent Office of the Cooperation Council for the Arab States of the Gulf (GCC)	MZ	Mozambique	ZA	South Africa
		NA	Namibia	ZM	Zambia
				ZW	Zimbabwe