



საქართველოს ინტელექტუალური საკუთრების ეროვნული ცენტრი
NATIONAL INTELLECTUAL PROPERTY CENTER OF GEORGIA

საქპატენტი
SAKPATENTI

**OFFICIAL BULLETIN
OF THE INDUSTRIAL PROPERTY**

7(539)

2020
TBILISI

INID CODES FOR IDENTIFICATION OF BIBLIOGRAPHIC DATA

INVENTIONS, UTILITY MODELS

- (10) Number of publication for application, which has been examined
- (11) Number of patent and kind of document
- (21) Serial number of application
- (22) Date of filing of the application
- (23) Date of exhibition or the date of the earlier filing and the number of application, if any
- (24) Date from which patent may have effect
- (31) Number of priority application
- (32) Date of filing of priority application
- (33) Code of the country or regional organization allotting priority application number
- (44) Date of publication of application not granted, but examined and number of bulletin
- (45) Date of publication of registered document
- (51) International Patent Classification Index

- (54) Title of the invention
- (57) Abstract
- (60) Number of examined patent document granted by foreign patent office, date from which patent has effect and country code
- (62) Number of the earlier application and in case of divided application, date of filing an application
- (71) Name, surname and address of applicant (country code)
- (72) Name, surname of inventor (country code)
- (73) Name, surname and address of patent owner (country code)
- (74) Name, surname of representative or patent attorney
- (85) Date of commencement of the national phase of International Application
- (86) Number and date of filing of international application
- (87) Number and date of publication of international application
- (94) Calculated date of expiry of the SPC or the duration of the SPC

DESIGNS

- (10) Number of publication for application
- (11) Number of patent and kind of document or number of registration
- (15) Date of registration/Date of patent renewal
- (18) Expected expiration date of patent or registration
- (21) Serial number of application
- (22) Date of filing of the application
- (23) Date of exhibition or the date of the earlier filing and the number of application, if any
- (24) Date from which patent may have effect
- (28) Number of designs included in the application
- (30) Data relating to priority (number of application, date of filing of application, two-letter code identifying the authority with whom the priority application was made)
- (31) Number of priority application
- (32) Date of filing of priority application
- (33) Code of the country or regional organization allotting priority application number
- (34) Two-letter code according to WIPO St.3 identifying the authority with which the priority application was made
- (44) Date of publication of design and number of bulletin (the first publication)
- (45) Date of publication of design registered by WIPO and number of bulletin

- (51) International Classification for designs (class and subclass of the Locarno Classification)
- (54) Title of the invention
- (55) Reproduction of the design
- (57) Description of characteristic features of the design including indication of colors
- (58) Date of recording of any kind of amendment in the Register
- (62) Number of the earlier application, registration and document number and if available the date of filing an application in case of divided application
- (71) Name, surname and address of applicant (country code)
- (72) Name, surname of creator (country code)
- (73) Name, surname and address of patent owner (country code)
- (74) Name, surname of representative or patent attorney
- (81) Contracting states concerned
II designated contracting states according to the 1960 Act
III designated contracting states according to the 1999 Act
- (85) Owner's permanent address
- (86) Owner's nationality
- (87) Owner's residence
- (88) State in which the owner has a real and effective industrial or commercial establishment

TRADEMARKS

- (111) - Number of registration
- (151) - Date of registration
- (156) - Date of the renewal
- (181) - Expected expiration date of registration
- (186) - Renewal expiration date of registration
- (141) - Date of cancel of duration of the mark
- (210) - Serial number of application
- (220) - Date of filing of the application
- (230) - Data concerning exhibition
- (260) - Number of application, for which favorable decision of examination about registration has been taken (publication number)
- (310) - Number of the first application
- (320) - Date of filing of the first application
- (330) - Code, identifying national or regional Office where the first application was made
- (511) - International Classification of Goods and Services for the purposes of registration of trade marks and/or list of goods and/or services classified according thereto
- (526) - Disclaimer
- (531) - Description of figurative elements of Trade Marks according to the International Classification of the Figurative Elements of Marks

- (540) - Reproduction of Trade Mark
- (550) - Nature and kind of Trade Mark
- (551) - Indication to the effect that the mark is a collective mark, a certification mark or a guarantee mark
- (554) - Three-dimensional mark
- (580) - Date of recording of any kind changes in respect of applications or registrations
- (591) - Information concerning colors claimed
- (731) - Name and address of the applicant
- (732) - Name and address of the holder of the registration
- (740) - Name and address of the representative
- (750) - Addreses for correspondence
- (770) - Name and address of the previous applicant or holder in case of change in ownership
- (771) - Previous name and address of the applicant or holder in case of change in ownership
- (791) - Name and address of the licensee
- (793) - Indication of conditions and/or restrictions under the license (Type of license, number of license agreement, data of license, data of validity of license)
- (800) - Certain data relating to the international registration of Trade Marks under the Protocol Relating to Madrid Agreement (International registration number)
- (852) - Partial cancellation of the list of goods and services
- (891) - Date of subsequent designation

CODES FOR PUBLICATION IN BULLETIN

- (21) AP 0000 000000 - serial number of application for invention
- (10) AP 0000 0000 A - number of published application for invention (first publication)
- (11) P 0000 0000 B - number of patent for invention (second publication)
- (21) API 0000 000000 - number of application for imported patent
- (11) PI 0000 0000 A - number of imported patent (first publication)
- (21) AU 0000 000000 - serial number of application for utility model
- (10) AU 0000 000 U - number of published application for utility model (first publication)
- (11) U 0000 000 Y - number of patent for utility model (second publication)
- (21) AD 0000 000000 - serial number of application for design
- (10) AD 0000 000 S - number of published application for design (first publication)
- (11) D 0000 000 S - registered design

INTERNATIONAL PATENT CLASSIFICATION FOR INVENTIONS AND UTILITY MODELS

- SECTION A - HUMAN NECESSITIES
- SECTION B - PERFORMING OPERATIONS; TRANSPORTING
- SECTION C - CHEMISTRY; METALLURGY
- SECTION D - TEXTILES; PAPER
- SECTION E - FIXED CONSTRUCTIONS
- SECTION F - MECHANICAL ENGINEERING; LIGHTING; HEATING; WEAPONS; BLASTING
- SECTION G - PHYSICS
- SECTION H - ELECTRICITY

-
- M - Trade Mark
 - (210) AM 0000 000000 - Serial number of application;
 - (260) AAM 0000 00000 A - Publication number of application;
 - (111) M 0000 00000 R - Number of registration;
 - (111) MMM0000 00000 Rn - Number of renewals, in which n=1,2,3;
 - (111) M 0000 00000 R(P) - Number of registration under partial assignment of rights
-

**LIST OF CODES, IN ALPHABETIC SEQUENCE, AND THE CORRESPONDING (SHORT) NAMES OF STATES, OTHER ENTITIES AND INTERGOVERNMENTAL ORGANIZATIONS
(WIPO STANDARD ST.3)**

AD	Andorra				
AE	United Arab Emirates	GD	Grenada	NE	Niger
AF	Afghanistan	GG	Guernsey	NG	Nigeria
AG	Antigua and Barbuda	GH	Ghana	NI	Nicaragua
AI	Anguilla	GI	Gibraltar	NL	Netherlands
AL	Albania	GT	Guatemala	NO	Norway
AM	Armenia	GW	Guinea- Bissau	NP	Nepal
AN	Netherlands Antilles	GY	Guyana	NR	Nauru
AO	Angola	HK	The Hong Kong Special Administrative Region of the People's Republic of China	NZ	New Zealand
AP	African Regional Intellectual Property Organization (ARIPO)	HN	Honduras	OA	African Intellectual Property Organization (OAPI)
AR	Argentina	HR	Croatia	OM	Oman
AT	Austria	HT	Haiti	PA	Panama
AU	Australia	HU	Hungary	PE	Peru
AW	Aruba	IB	International Bureau of the World Intellectual Property Organization (WIPO)	PG	Papua New Guinea
AZ	Azerbaijan	ID	Indonesia	PH	Philippines
BA	Bosnia and Herzegovina	IE	Ireland	PK	Pakistan
BB	Barbados	IL	Israel	PL	Poland
BD	Bangladesh	IM	Isle of Man	PT	Portugal
BE	Belgium	IN	India	PW	Palau
BF	Burkina Faso	IQ	Iraq	PY	Paraguay
BG	Bulgaria	ID	Indonesia	QA	Qatar
BH	Bahrain	IE	Ireland	QZ	Community Plant Variety Office (European Community) (CPVO)
BI	Burundi	IL	Israel	RO	Romania
BJ	Benin	IM	Isle of Man	RS	Serbia
BM	Bermuda	IN	India	RU	Russian Federation
BN	Brunei Darussalam	IQ	Iraq	RW	Rwanda
BO	Bolivia	IR	Iran (Islamic Republic of)	SA	Saudi Arabia
BR	Brazil	IS	Iceland	SB	Solomon Islands
BS	Bahamas	IT	Italy	SC	Seychelles
BT	Bhutan	JE	Jersey	SD	Sudan
BV	Bouvet Island	JM	Jamaica	SG	Singapore
BW	Botswana	JO	Jordan	SH	Saint Helena
BX	Benelux Office for Intellectual Property (BOIP)	JP	Japan	SI	Slovenia
BY	Belarus	KE	Kenya	SK	Slovakia
BZ	Belize	KG	Kyrgyzstan	SL	Sierra Leone
CA	Canada	KH	Cambodia	SM	San Marino
CD	Democratic Republic of the Congo	KI	Kiribati	SN	Senegal
CF	Central African Republic	KM	Saint Kitts and Nevis	SO	Somalia
CG	Congo	KP	Democratic People's Republic of Korea	SR	Suriname
CH	Switzerland	KR	Republic of Korea	ST	Sao Tome and Principe
CI	Cote d'Ivoire	KW	Kuwait	SV	El Salvador
CK	Cook Islands	KY	Cayman Islands	SY	Syrian Arab Republic
CL	Chile	KZ	Kazakhstan	SZ	Swaziland
CM	Cameroon	LA	Lao People's Democratic Republic	TC	Turks and Caicos Islands
CN	China	LB	Lebanon	TD	Chad
CO	Colombia	LC	Saint Lucia	TG	Togo
CR	Costa Rica	LI	Liechtenstein	TH	Thailand
CU	Cuba	LK	Sri Lanka	TJ	Tajikistan
CV	Cape Verde	LR	Liberia	TL	Timor-Leste
CY	Cyprus	LS	Lesotho	TM	Turkmenistan
CZ	Czech Republic	LT	Lithuania	TN	Tunisia
DE	Germany	LU	Luxembourg	TO	Tonga
DJ	Djibouti	LV	Latvia	TR	Turkey
DM	Dominica	LY	Libyan Arab Jamahiriya	SE	Sweden
DO	Dominican Republic	MA	Morocco	TT	Trinidad and Tobago
DZ	Algeria	MC	Monaco	TV	Tuvalu
EA	Eurasian Patent Organization (EAPO)	MD	Republic of Moldova	TW	Taiwan, Province of China
EC	Ecuador	ME	Montenegro	TZ	United Republic of Tanzania
EE	Estonia	MG	Madagascar	UA	Ukraine
EG	Egypt	MK	The former Yugoslav Republic of Macedonia	UG	Uganda
EH	Western Sahara	ML	Mali	US	United States of America
EM	Office for Harmonization in the Internal Market (Trademarks and Designs)(OHIM)	MM	Myanmar	UY	Uruguay
EP	European Patent Office (EPO)	MN	Mongolia	UZ	Uzbekistan
ER	Eritrea	MO	Macao	VA	Holy See
ES	Spain	MP	Northern Mariana Islands	VC	Saint Vincent and the Grenadines
ET	Ethiopia	MR	Mauritania	VE	Venezuela
FI	Finland	MS	Montserrat	VG	Virgin Islands (British)
FJ	Fiji	MT	Malta	VN	Viet Nam
FK	Falkland Islands (Malvinas)	MU	Mauritius	VU	Vanuatu
FO	Faroe Islands	MV	Maldives	WO	World Intellectual Property Organization (WIPO)
FR	France	MW	Malawi	WS	Samoa
GA	Gabon	MX	Mexico	XN	Nordic Patent Institute (NPI)
GB	United Kingdom	MY	Malaysia	YE	Yemen
GC	Patent Office of the Cooperation Council for the Arab States of the Gulf (GCC)	MZ	Mozambique	ZA	South Africa
		NA	Namibia	ZM	Zambia
				ZW	Zimbabwe

OFFICIAL BULLETIN OF THE INDUSTRIAL PROPERTY

7(539)

**INVENTIONS
UTILITY MODELS
DESIGNS
TRADEMARKS
APPELLATIONS OF ORIGIN OF GOODS**

DATE OF PUBLICATION: 2020 04 10

CONTENTS

PUBLISHED TITLES OF PROTECTION	3
INVENTIONS	
▪ APPLICATIONS APPROVED FOR GRANTING PATENTS	4
▪ PATENTED INVENTIONS	9
UTILITY MODELS	
▪ APPLICATION APPROVED FOR GRANTING PATENT	14
▪ PATENTED UTILITY MODELS	15
DESIGNS	
▪ DESIGNS, WHICH HAVE BEEN REGISTERED WITH THE INTERNATIONAL BUREAU CLAIMING PRIORITY ON THE TERRITORY OF GEORGIA	16
TRADEMARKS	
▪ APPLICATIONS FILED UNDER THE NATIONAL PROCEDURE APPROVED FOR REGISTRATION	74
▪ REGISTERED TRADEMARKS	83
▪ TRADEMARKS REGISTERED ACCORDING TO THE ACCELERATED PROCEDURE	89
▪ INTERNATIONAL TRADEMARKS FOR WHICH A DECISION ON GRANTING PROTECTION IS TAKEN	92
▪ INTERNATIONAL TRADEMARKS PROTECTED IN GEORGIA	204
APPELLATION OF ORIGIN OF GOODS	
▪ REGISTERED APPELLATION OF ORIGIN OF GOOD	214
▪ APPELLATION OF ORIGIN OF GOODS FILED IN GEORGIA FOR EXAMINATION UNDER LISBON AGREEMENT, ON THE BASIS OF THE INTERNATIONAL REGISTRATION	214
▪ PROTECTED INTERNATIONAL APPELLATION OF ORIGIN OF GOOD	214
OFFICIAL NOTIFICATIONS	
INVENTIONS	
▪ ABOLITION OF PATENTS WITH THE RIGHT TO RESTORE	215
▪ EXPIRATION OF TERM OF RESTORATION OF PATENTS	217
▪ EXPIRATION OF PATENTS	218
▪ CHANGES OF NAMES AND/OR ADDRESSES OF PATENTOWNERS	220
UTILITY MODELS	
▪ EXPIRATION OF PATENT RESTORATION	220
▪ ABOLITION OF PATENT WITH THE RIGHT TO RESTORE	220
▪ EXPIRATION OF TERM OF RESTORATION OF PATENTS	221
DESIGNS	
▪ EXTENSION OF REGISTRATION OF DESIGNS	222
▪ CANCELLATION OF DESIGN REGISTRATION	222
▪ EXTENSION OF REGISTRATION OF INTERNATIONAL DESIGNS	222
TRADEMARKS	
▪ RENEWAL OF REGISTRATIONS	226
▪ COMPLETE TRANSFER OF RIGHTS	228
▪ CHANGES OF NAMES AND/OR ADDRESSES OF OWNERS	229
▪ TERMINATION OF TRADEMARKS REGISTRATION	231
CLASSIFICATION INDEXES	
INVENTIONS	237
UTILITY MODELS	240
TRADEMARKS	241

PUBLISHED TITLES OF PROTECTION

INVENTIONS

- **APPLICATIONS APPROVED FOR GRANTING PATENT:**
14809; 14846; 14999, 15000; 14318; 15119, 15120; 14939; 14947; 14915; 14646; 14975
- **PATENTED INVENTIONS:**
7082-7099

UTILITY MODELS

- **APPLICATION APPROVED FOR GRANTING PATENT:**
15197
- **PATENTED UTILITY MODELS:**
2035, 2036

DESIGNS

- **DESIGNS, WHICH HAVE BEEN REGISTERED WITH THE INTERNATIONAL BUREAU CLAIMING PRIORITY ON THE TERRITORY OF GEORGIA:**
202800; 203137; 203185; 202946; 205173; 203661; 203280; 202924; 205412; 204152

TRADEMARKS

- **APPLICATIONS FILED UNDER THE NATIONAL PROCEDURE APPROVED FOR REGISTRATION:**
99958*; 101404; 101628*; 103309; 104086, 104087; 104089; 104091; 104095, 104096; 104195; 104223; 104329; 104433; 104449; 104544-104549; 104551; 104554; 104562; 104564; 104669, 104670; 104672; 104675; 104743, 104744; 104751; 104760-104763; 104767-104769; 104811; 104815; 104831; 104833; 104903, 104904; 104926-104929; 104934; 105003; 105011-105013; 105016; 105128; 105146-105149
- **REGISTERED TRADEMARKS:**
32473-32504; 32517-32544
- **TRADEMARKS REGISTERED ACCORDING TO THE ACCELERATED PROCEDURE:**
32505-32516; 32545-32548
- **INTERNATIONAL TRADEMARKS FOR WHICH A DECISION ON GRANTING PROTECTIONS IS TAKEN:**
100708*; 102617; 102802; 102853; 102884; 103148; 103236, 103237; 103240; 103367; 103395; 103486; 103521-103523; 103525; 103530; 103540; 103547; 103556; 103593, 103594; 103596, 103597; 103602, 103603; 103606; 103614; 103621, 103622; 103637; 103641; 103643, 103644; 103646; 103704; 103709-103711; 103721, 103722; 103725-103727; 103729; 103735; 103738-103741; 103747-103749; 103790-103792; 103801-103805; 103808, 103809; 103824; 103826; 103831; 103836; 103885; 103888-103892; 103896; 103906; 103908-103911; 103913, 103914; 103917; 103926; 103929; 103936; 103993-104001; 104003; 104005, 104006, 104008-104010; 104013; 104018; 104021; 104037-104039; 104041; 104049, 104050; 104053, 104054; 104129; 104141-104143; 104145; 104147; 104149, 104150; 104162-104165; 104252-104254; 104256; 104272; 104274-104276; 104292; 104332; 104334; 104350-104354; 104394; 104470; 104479-104483; 104520; 104522, 104523; 104569; 104589-104596; 104653; 104655, 104656; 104660; 104683; 104685; 104691; 104693; 104701-104703; 104777; 104781, 104782; 104841, 104842; 104849-104851; 104859; 104963, 104965, 104966
- **INTERNATIONAL TRADEMARKS PROTECTED IN GEORGIA:**
98530; 98870; 99108; 99110; 99116; 99128; 99132; 99137, 99138; 100569; 101704; 101796; 101956; 101980; 101987, 101988; 102079-102083; 102089; 102093; 102114-102117; 102121, 102122; 102129; 102187, 102188; 102192; 102194, 102195; 102204; 102209; 102214-102216; 102220-102222; 102269, 102270; 102272-102274; 102294, 102295; 102304; 102318-102322; 102325, 102326; 102341-102345; 102408, 102409; 102443; 102449; 102451; 102454-102463; 102468, 102469; 102484, 102485; 102487-102490; 102568, 102569; 102615, 102616; 102618-102625; 102637, 102638; 102662-102664; 102667, 102668; 102670; 102752; 102754; 102758; 102767; 102862; 102866; 102908-102910; 102936; 102992-102996; 103061, 103062; 103083-103085; 103125; 103170-103173; 103177; 103290-103295; 103352, 103353

APPELLATION OF ORIGIN OF GOODS:

- **REGISTERED APPELLATION OF ORIGIN OF GOOD:**
SALKHINO OJALESHI
- **APPELLATION OF ORIGIN OF GOODS FILED IN GEORGIA FOR EXAMINATION UNDER LISBON AGREEMENT, ON THE BASIS OF THE INTERNATIONAL REGISTRATION:**
3495
- **PROTECTED INTERNATIONAL APPELLATION OF ORIGIN OF GOOD:**
1131

INVENTIONS

APPLICATIONS APPROVED FOR GRANTING PATENTS

The decision can be appealed at the Chamber of Appeal of Sakpatenti within 3 months from the publication or at the Mtskheta District Court Administrative Cases Board (Address: №17, Samkhedro str., Mtskheta), within 1 month following the publication.

PART A

A 21

(10) AP 2020 14809 A (51) Int. Cl. (2006)
A 21 D 13/066
A 21 D 13/06
A 23 L 7/10
A 23 L 7/196
A 23 L 5/20
A 23 L 5/30
C 12 C 1/02

(21) AP 2016 14809 (22) 2016 12 16
(31) UB2015 A009442
(32) 2015 12 17
(33) IT
(71) NEW GLUTEN WORLD S.R.L. (IT)
Viale Michelangelo 177 71121 – Foggia (IT)

(72) LAMACCHIA, Carmela (IT)

(74) Larisa Amirkhanyan

(85) 2018 06 13

(86) PCT/EP2016/081589, 2016 12 16

(54) **METHOD FOR THE DETOXIFICATION OF GLUTEN PROTEINS FROM CEREAL GRAINS AND USES THEREOF IN MEDICAL FIELD**

(57) A method provides wetting of cereal grains and treating therewith electromagnetic waves, wherein said electromagnetic waves are microwaves or infrared; grinding of treated cereal grains; and gluten extraction from received flour or semolina.

Claims: 1 dependents
5 independents

Fig.: 23

A 23

(10) AP 2020 14846 A (51) Int. Cl. (2006)
A 23 L 2/8

(21) AP 2018 14846 (22) 2018 08 01

(71) Teona Ghvinianidze (GE)
Mgaloblishvili St. 14, 4600, Kutaisi, Georgia (GE);
Papuna Chikovani (GE)
V. Barnov St. 64, 4600, Kutaisi, Georgia (GE);
Temur Ghvinianidze (GE)

Mgaloblishvili St. 14, 4600, Kutaisi, Georgia (GE);

Akaki Tsereteli State University (GE)

Tamar Mepe St. 59, 4600, Kutaisi, eorgia (GE)

(72) Teona Ghvinianidze (GE);

Papuna Chikovani (GE);

Temur Ghvinianidze (GE)

(74) Archil Geguchadze

(54) **ANTIOXIDANT FOOD CONCENTRATE**

(57) A concentrate includes vacuum sweet containing dry substances of red grape "Isabella" 62-65%, gelatin, citric pectin, grape seed concentrate containing dry substances of red grape "Seibel 5455" 62-65%, micropowder of dry peel of vacuum-sublimated red grape "Seibel 5455", micropowder of vacuum-sublimated rosehips, and chesnut flower honey.

Claims: 1 dependents

A 61

(10) AP 2020 14999 A (51) Int. Cl. (2006)
A 61 K 8/00

(21) AP 2019 14999 (22) 2019 02 13

(71) Medea Mamulashvili (GE)

Janashia St. 16-18, 0179, Tbilisi, Georgia (GE)

(72) Medea Mamulashvili (GE)

(54) **PERFUME CREAM**

(57) A cream contains beeswax, spermaceti, lanoline, cacao oil, rosehip, sea-buckthorn, avocado, peach, argan, jojoba, apricot, chamomile, rose, wheat, olive and corn oils, borax water solution, pearl 6-10,5% dispersion, plant extract as a mixture of chamomile, rose, plantain, ginseng and calendula extracts, splat powder, zinc oxide, vanilla and peach essential oils, vitamins A, E and C. Perfume cream includes naphthalene oil in preferable variation of invention implementation.

Claims: 1 dependents
3 independents

(10) AP 2020 15000 A (51) Int. Cl. (2006)
A 61 K 8/00

(21) AP 2019 15000 (22) 2019 02 13

(71) Medea Mamulashvili (GE)

Janashia St. 16-18, 0179, Tbilisi, Georgia (GE)

(72) Medea Mamulashvili (GE)

(54) **PERFUME CREAM**

(57) A cream contains beeswax, spermaceti, lanoline, and cacao oils, stearine, goat fat, sea-buckthorn, avocado, peach, argan, jojoba, apricot, chamomile, rose, wheat, olive and corn oils, borax 6-7% and potash 3% water solutions, pearl 6-10,5% dispersion in lemon juice, plant extract as a mixture of chamomile, rose, plantain, ginseng and calendula extracts, zinc oxide, vanilla and peach essential oils, vitamins A and E. Perfume cream includes almond and/or grape seed and/or naphthalene oils in preferable variation of invention implementation.

Claims: 1 dependents
3 independents

(10) AP 2020 14318 A (51) Int. Cl. (2006)

A 61 K 31/28
A 61 K 31/295
A 61 K 33/24
A 61 K 33/26
A 61 K 47/46
A61 P 7/06

(21) AP 2016 14318 (22) 2016 11 02

(71) Tsiala Gabelia (GE)

Libanon St. 3, ap. 58, 0179, Tbilisi, Georgia (GE);

Leila Japaridze (GE)

S. Kurdiani St. 1/6, 0101, Tbilisi, Georgia (GE);

Eter Salukvadze (GE)

Dolidze St. 26, ap. 128, 0161, Tbilisi, Georgia (GE);

Givi Chimakadze (GE)

Didi Dighomi, I mkr., Ioane Petritsi St. 14a, ap. 48, 0131, Tbilisi, Georgia (GE);

Nana Osipova (GE)

Nutsubidze St. 77b, ap. 54, 0177,

Tbilisi, Georgia (GE);

Tamar Kvernadze (GE)

Gazapkhuli St. 11, 0179, Tbilisi,

Georgia (GE);

Omar Lomtadze (GE)

Tsereteli Ave. 64, ap. 57, 0154, Tbilisi, Georgia (GE)

(72) Tsiala Gabelia (GE);

Leila Japaridze (GE);

Eter Salukvadze (GE);

Givi Chimakadze (GE);

Nana Osipova (GE);

Tamar Kvernadze (GE);

Omar Lomtadze (GE)

(54) **METHOD FOR ANTIANEMIC TREATING-PROPHYLACTIC DRUG PREPARATION FOR ANIMALS**

(57) Separate synthesis of Fe(II), Zn(II), Cu(II), Mn(II), Co(II)-D-fructose complexes is executed for drug preparation. Synthesised complexes water

solutions are concentrated in vacuum-evaporator; extracted with spirit-ether mixture, treated with acetone and ether and then, lyophilic drying is executed. Complexes are mixed, glycine and selenomethionine is added therein, and askana clay is smeared into received mixture by means of ultrasound dispersion. After that, water is added therein, received suspension is dried on 60-70°C temperature, grinded and brought into peroral form.

Claims: 1 dependents
2 independents

(10) AP 2020 15119 A (51) Int. Cl. (2006)

A 61 K 31/79
A 61 K 31/047
A 61 K 31/185
A 61 K 31/167
A 61 K 9/00
A 61 K 9/06
A 61 K 47/42
A 61 K 9/70
A 61 K 31/235
A 61 K 45/06
A 61 K 31/14
A 61 K 31/517
A 61 K 31/10
A 61 P 17/02

(21) AP 2017 15119

(22) 2017 12 14

(31) 2017106061

(32) 2017 02 22

(33) RU

(71) Medid Innovation Development LTD (CY)

Arch. Makariou III, 228, Agios Pavlos Court, Block B, 4th floor, Flat/Office 411-412, 3030, Limassol, Cyprus (CY)

(72) AFINOGENOVA, Anna Gennadievna (RU);

MATELO, Svetlana Konstantinovna (RU);

AFINOGENOV, Gennady Evgenievich (RU);

MANASHEROV, Tamaz Omarovich (RU)

(74) Aleksandre Gegechkori

(85) 2019 06 25

(86) PCT/RU2017/000905, 2017 12 14

(54) **ANTISEPTIC COMPOSITION**

COMPRISING OLYVINYLPIRROLIDONE AND UNITHIOL AND USAGE OF COMPOSITION

(57) Composition contains antiseptic, polyvinylpyrrolidone, unithiol, dimethyl sulfoxide and anesthetic. This composition is used for injury treatment.

Claims: 3 dependents
17 independents

Fig.: 7

(10) AP 2020 15120 A **(51) Int. Cl. (2006)**
A 61 K 31/047
A 61 K 9/7007
A 61 K 9/06
A 61 K 9/0014
A 61 K 47/42
A 61 K 38/014
A 61 K 33/38
A 61 K 33/20
A 61 K 31/734
A 61 K 31/498
A 61 K 31/235
A 61 K 31/185
A 61 K 31/167
A 61 K 31/10
A 61 P 17/02

(21) AP 2017 15120 (22) 2017 12 05
(31) 2017106062
(32) 2017 02 22
(33) RU
(71) Medid Innovation Development LTD (CY)
Arch. Makariou III, 228, Agios Pavlos Court,
Block B, 4th floor, Flat/Office 411-412, 3030,
Limassol, Cyprus (CY)
(72) MATELO, Svetlana Konstantinovna (RU);
AFINOGENOVA, Anna Gennadievna (RU);
MANASHEROV, Tamaz Omarovich (RU);
AFINOGENOV, Gennady Evgenievich (RU)
(74) Aleksandre Gegechkori
(85) 2019 06 25
(86) PCT/RU2017/000906, 2017 12 05
(54) **ANTISEPTIC COMPOSITION**
COMPRISING OLYVINYLPIRROLIDONE
AND UNITHIOL AND USE OF
COMPOSITION
(57) Composition contains collagen hydrolyzate,
alginate acid salt, antiseptic, unithiol, dimethyl
sulfoxide and water carrier.
Claims: 3 dependents
19 independents

(10) AP 2020 14939 A **(51) Int. Cl. (2006)**
A 61 K 31/405
A 61 K 31/506
A 61 K 47/18
A 61 K 38/48
A 61 K 47/02
A 61 K 47/26

(21) AP 2017 14939 (22) 2017 05 26
(31) PCT/EP2016/062085
(32) 2016 05 27
(33) EP
(71) IPSEN BIOPHARM LIMITED (GB)
Unit 9, Ash Road Wrexham Industrial Estate
WREXHAM LL13 9UF (GB)
(72) EDSTROM, Emilia (SE);
GURELL, Ann (SE);
PICKETT, Andrew (SE);
STAHL, Ulf (SE);

AGREN, Barbro (SE);
JARSTAD, Anders (SE);
FRIIS, Anna (SE)
(74) Shalva Gvaramadze
(85) 2018 11 27
(86) PCT/EP2017/062785, 2017 05 26
(54) **LIQUID NEUROTOXIN FORMULATION**
STABILIZED WITH TRYPTOPHAN O
R TYROSINE
(57) Composition comprises butoline neuroxin,
surfactant, amino acid selected from tryptophan and
tyrosine, and buffer; at that, composition is free from
animal derived proteins.
Claims: 5 dependents
11 independents

(10) AP 2020 14947 A **(51) Int. Cl. (2006)**
A 61 P 27/04
A 61 K 9/00
A 61 K 47/36

(21) AP 2017 14947 (22) 2017 04 28
(31) 16168464.2
(32) 2016 05 05
(33) EP
(71) AZIENDE CHIMICHE RIUNITE ANGELINI
FRANCESCO A.C.R.A.F. S.P.A. (IT)
Viale Amelia, 70, I-00181 Roma (IT)
(72) LIBERATI, Elisa (IT);
RUSSO, Vincenzo (IT);
RAGNI, Lorella (IT);
SANTO, Giuseppe (IT);
TONGIANI, Serena (IT)
(74) Liliana Darakhveidze
(85) 2018 12 05
(86) PCT/EP2017/060158, 2017 04 28
(54) **OPHTHALMIC COMPOSITION**
COMPRISING A SYNERGISTIC
COMBINATION OF GLYCOGEN AND
HYALURONIC ACID OR A SALT
THEREOF
(57) Composition comprises glycogen, hyaluronic
acid or salt thereof, and pharmaceutically acceptable
excipient. This composition is used for the treatment
of dry eye syndrome.
Claims: 3 dependents
9 independents
Fig.: 3

PART B**B 61****(10) AP 2020 14915 A (51) Int. Cl. (2006)****B 61 B 7/00**

(21) AP 2018 14915 (22) 2018 11 02

(71) Irakli Gorjeladze (GE)

Vill. Gorgadzeebi, 6200, Kobuleti

Municipality Georgia (GE);

Shota Gorjeladze (GE)

Vill. Gorgadzeebi, 6200, Kobuleti

Municipality, Georgia (GE)

(72) Irakli Gorjeladze (GE);

Shota Gorjeladze (GE)

(74) Aleksandre Kartvelishvili

(54) ROPEWAY

(57) A ropeway includes two stations executed with the supports and platforms, carrier, tugging and supporting ropes 2,3 and 4, a vehicle executed as a carriage 1 equipped with driving mechanism, node locking carriage to each platform, node remote opener from opposite platform and mechanisms for carriage moving to opposite platform are disposed on each platform. The carriage 1 is hunged on carrier rope 2 by means of couple of carriage rollers 5 and 6 and relies on two supporting ropes 4 passed in parallel by means of two couples of supporting rollers 7, 8, 9 and 10 disposed on the bottom thereof. Carriage driving, locking node remote opening and carriage moving mechanisms are executed as manual control mechanisms.

Claims: 1 dependents

5 independents

Fig.: 4

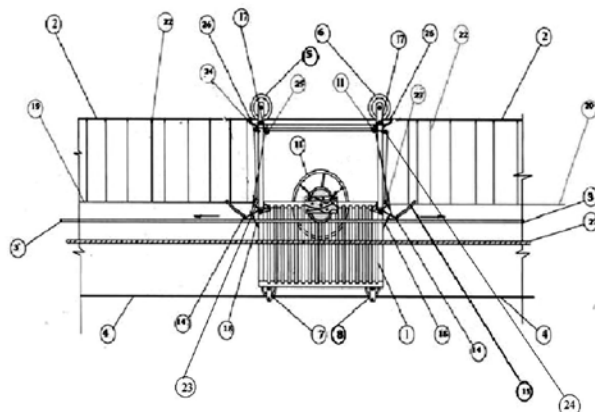


Fig. 1

PART C**C 04****(10) AP 2020 14646 A (51) Int. Cl. (2006)****C 04 B 41/00****C 09 D 7/00**

(21) AP 2017 14646 (22) 2017 12 07

(31) 16202727.0

(32) 2016 12 07

(33) EP

(71) DAW SE (DE)

Roßdörfer Straße 50, 64372 Ober-

Ramstadt (DE)

(72) BRENNER, Thomas (DE);

PTATSCHEK, Volker (DE);

BEFURT, Uwe (DE);

GENGEBACH, Patrick (DE);

RICHTER, Maik (DE);

WISCHHUSEN, York (DE);

MEDER, Michael (DE);

SCHMIDT, Patrick (DE)

(74) Liliana Darakhvelidze

(54) AQUEOUS COMPOSITION FOR A TINTING SYSTEM, KIT-OF-PARTS TINTING SYSTEM, TINTED PAINT AND PLASTER SYSTEMS AND PAINTS AND PLASTERS OBTAINABLE BY APPLYING THE TINTED PAINT OR PLASTER SYSTEMS

(57) An invention relates to aqueous composition for tinting systems including filler, moisturizer and/or dispenser, moisture stabilizer, and at least, one additive if necessary. At that, composition is characterized with pH value of 9,0-11,5.

Claims: 6 dependents

13 independents

PART H

H 01

(10) AP 2020 14975 A (51) Int. Cl. (2006)

H 01 L 31/0224

(21) AP 2018 14975 (22) 2018 12 27

(71) Tamar Berberashvili (GE)

Kazbegi Ave. 47, 0177, Tbilisi, Georgia (GE);

Habib Ollah Bakhtiari (GE)

Ana Politkovskaya St. 47, 0186,

Tbilisi, Georgia (GE);

Paata Kervalishvili (GE)

Kazbegi Ave 9a, 0160, Tbilisi, Georgia (GE)

(72) Tamar Berberashvili (GE);

Habib Ollah Bakhtiari (GE);

Paata Kervalishvili (GE)

(54) **IMAGE CONVERTER**

(57) There is represented image converter consisting of transparent thin trap executed in sequence, p-type conductivity silicon nanolayer; at that, grapheme trap is n-type conductivity transparent nanostructural thin nanofilm with 3-5 nm width; silicon nanolayer width is 400-500 nm, and grapheme lower nanolayer width is 700-800 nm, first electrode is placed in silicon nanolayer center, and another one – in n-type conductivity grapheme lower nano layer surface center.

Claims: 1 dependents

Fig.: 2

PATENTED INVENTIONS

PART A

A 01

- (11) P 2020 7099 B** **(51) Int. Cl. (2006)**
A 01 G 31/00
 (10) AP 2019 14716 A (44) 24(532)/2019
 (21) AP 2018 14716
 (22) 2018 02 28
 (24) 2018 02 28
 (73) Evgeni Ushveridze (GE)
 Pekini St. 13, ap. 57, 0171, Tbilisi (GE)
 (72) Evgeni Ushveridze (GE);
 (54) **METHOD FOR PLANT CULTIVATION
 AND IMPLEMENTATION COMPLEX
 THEREOF**

A 61

- (11) P 2020 7095 B** **(51) Int. Cl. (2006)**
A 61 K 31/437
A 61 K 13/12
A 61 P 9/10
A 61 K 31/519
C 07 D 471/04
C 07 D 487/04
 (10) AP 2019 14608 A (44) 19(527)/2019
 (21) AP 2016 14608
 (22) 2016 03 17
 (24) 2016 03 17
 (31) 1504565.1
 (32) 2015 03 18
 (33) GB
 (86) PCT/JP2016/059782, 2016 03 17
 (73) TAKEDA PHARMACEUTICAL
 COMPANY LIMITED (JP)
 1-1, Doshomachi 4-chome Chuo-ku,
 Osaka-shi, Osaka 5410045 (JP)
 (72) DAVENPORT, Richard (GB);
 BARKER, Gregory (GB);
 AHMED, Saleh (GB);
 LIVERMORE, David (GB);
 JENKINS, Kerry (GB);
 HARRISON, David (GB);
 CANNING, Hannah (GB);
 WRIGHT, Susanne (GB);
 KINSELLA, Natasha (GB)
 (74) Aleksandre Gegechkori
 (54) **FUSED BICYCLIC HETEROARYL
 DERIVATIVES HAVING ACTIVITY AS
 PHD INHIBITORS**

- (11) P 2020 7098 B** **(51) Int. Cl. (2006)**
A 61 K 31/4709
A 61 P 11/06
A 61 P 11/08
C 07 D 401/12
C 07 D 401/14
C 07 D 403/12
C 07 D 453/04
C 07 D 453/02

- (10) AP 2019 14563 A (44) 24(532)/2019
 (21) AP 2016 14563
 (22) 2016 02 10
 (24) 2016 02 10
 (31) 15154917.7
 (32) 2015 02 12
 (33) EP
 (86) PCT/EP2016/052812, 2016 02 10
 (73) CHIESI FARMACEUTICI S.P.A. (IT)
 Via Palermo, 26/A 43100 Parma (IT)
 (72) RIZZI, Andrea (IT);
 RANCATI, Fabio (IT);
 KNIGHT, Chris (IT);
 SCHMIDT, Wolfgang (IT);
 CARZANIGA, Laura (IT);
 LINNEY, Ian (IT)
 (74) Shalva Gvaramadze
 (54) **COMPOUNDS HAVING MUSCARINIC
 RECEPTOR ANTAGONIST AND BETA2
 ADRENERGIC RECEPTOR AGONIST
 ACTIVITY**

- (11) P 2020 7089 B** **(51) Int. Cl. (2006)**
A 61 K 35/747
A 61 K 35/744
A 61 P 35/00
A 61 P 29/00

- (10) AP 2019 14591 A (44) 21(529)/2019
 (21) AP 2016 14591
 (22) 2016 03 24
 (24) 2016 03 24
 (31) 62/138,491
 (32) 2015 03 26
 (33) US
 (86) PCT/SE2016/050253, 2016 03 24
 (73) BIOGAIA AB (SE)
 Box 3242 SE-103 64 Stockholm (SE)
 (72) GAO, Chunxu (US);
 GANESH, Bhanu (US);
 MÖLLSTAM, Bo (SE);
 VERSALOVIC, James (US)
 (74) Shalva Gvaramadze
 (54) **HISTAMINE-PRODUCING BACTERIAL
 STRAINS AND THEIR USAGE AGAINST
 CANCER**

-
- | | | | |
|--|---|--|--|
| <p>(11) P 2020 7094 B</p> <p>(10) AP 2019 15008 A
(21) AP 2017 15008
(22) 2017 10 20
(24) 2017 10 20
(31) 102016000109403
(32) 2016 10 28
(33) IT
(86) PCT/EP2017/076807, 2017 10 20
(73) BIO.LO.GA. S.R.L (IT)
Via Giuseppe Lazzarin, 66 31015
Conegliano (TV) (IT)
(72) PANIN, Giorgio (IT)
(74) Nugzar Ksovreli
(54) COMPOSITION FOR TOPICAL APPLICATION WITH ANTIFUNGAL ACTIVITY</p> | <p>(51) Int. Cl. (2006)
A 61 K 36/752
A 61 K 36/61
A 61 K 31/355
A 61 K 36/53
A 61 P 31/10
A 61 P 17/00</p> <p>(44) 24(532)/2019</p> | <p>(11) P 2020 7086 B</p> <p>(10) AP 2019 14523 A
(21) AP 2015 14523
(22) 2015 12 04
(24) 2015 12 04
(31) 62/087,436
(32) 2014 12 04
(33) US
(86) PCT/US2015/063934, 2015 12 04
(73) TOLMAR THERAPEUTICS INC. (US)
701 Centre Avenue Fort Collins,
CO 80526 (US)
(72) MADRIL, Dominic (US);
MCCANN, Kevin (US);
MUGOYE, Eric (US)
(74) Shalva Gvaramadze
(54) SYRINGE PLUNGER SYSTEM WITH SELF-LOCKING THREADED GEOMETRY</p> | <p>(51) Int. Cl. (2006)
A 61 M 5/315</p> <p>(44) 23(531)/ 2019</p> |
|--|---|--|--|
-
- | | | | |
|---|--|--|--|
| <p>(11) P 2020 7083 B</p> <p>(10) AP 2019 14297 A
(21) AP 2015 14297
(22) 2015 03 13
(24) 2015 03 13
(31) 61/953,628
(32) 2014 03 14
(33) US
(86) PCT/US2015/020343, 2015 03 13
(73) PFIZER INC. (US)
235 East 42nd Street New York,
NY 10017 (US)
(72) BAGRODIA, Shubha (US);
LAFONTAINE, Jennifer (US);
LOVATT, Zach (US);
SHIN, Eyoung (US);
SONG, Young, Ho (US);
TROIANO, Greg (US);
WANG, Hong (US)
(74) Shalva Gvaramadze
(54) THERAPEUTIC NANOPARTICLES COMPRISING THERAPEUTIC AGENT AND METHODS OF MAKING AND USING SAME</p> | <p>(51) Int. Cl. (2006)
A 61 K 47/12
A 61 K 47/28
A 61 K 47/34
A 61 K 9/107
A 61 K 9/51
A 61 K 31/5377</p> <p>(44) 21(529)/2019</p> | <p>(11) P 2020 7092 B</p> <p>(10) AP 2019 14853 A
(21) AP 2017 14853
(22) 2017 01 13
(24) 2017 01 13
(31) 16/70004
(32) 2016 01 14
(33) FR
(86) PCT/FR2017/050075, 2017 01 13
(73) LES LABORATOIRES SERVIER (FR)
35 rue de Verdun 92284 Suresnes (FR)
(72) RUPIN, Alain (FR);
SANSILVESTRI-MOREL, Patricia (FR);
SCHAFFNER, Arnaud-Pierre (FR);
GLOANEC, Philippe (FR);
VALLEZ, Marie-Odile (FR);
MENNECIER, Philippe (FR)
(74) Tamaz Shilakadze
(54) NOVEL PHOSPHINANE AND AZAPHOSPHINANE DERIVATIVES, METHOD FOR PREPARING SAME AND PHARMACEUTICAL</p> | <p>(51) Int. Cl. (2006)
A 61 P 9/00
A 61 K 31/675
C 07 F 9/6584</p> <p>(44) 23(531)/2019</p> |
|---|--|--|--|
-

PART B**B 01**

- (11) P 2020 7091 B** (51) **Int. Cl. (2006)**
B 01 D 47/02
- (10) AP 2019 14659 A (44) 23(531)/2019
(21) AP 2015 14659
(22) 2015 11 02
(24) 2015 11 02
(31) 62/169,856
(32) 2015 06 02
(33) US
(86) PCT/CA2015/000563, 2015 11 02
(73) PACIFIC GREEN TECHNOLOGIES INC. (US)
5205 Prospect Road Suite 135-226 San Jose,
CA 95129 (US)
(72) MCCLELLAND, Kenneth James (CA)
(74) Aleksandre Gegechkori
(54) **MULTI-LEVEL GAS SCRUBBER WITH
MULTIPLE FLOODED SCRUBBER
HEADS**

B 61

- (11) P 2020 7088 B** (51) **Int. Cl. (2006)**
B 61 B 7/00
B 61 B 7/02
- (10) AP 2019 14977 A (44) 20(528)/2019
(21) AP 2018 14977
(22) 2018 12 28
(24) 2018 12 28
(73) Malkhaz Akhvlediani (GE)
Gldani mass. II mkr., korp. 45, ap. 95,
0167, Tbilisi (GE);
Zaur Balamtsarashvili (GE)
Sulkhan Tsintsadze St. 7, 0160, Tbilisi (GE);
Zaur Chitidze (GE)
Tarkhnishvili St. 16, 0179, Tbilisi (GE);
Beka Beriashvili (GE)
Kikvidze St. 19, 0132, Tbilisi (GE);
Tamaz Mchedlishvili (GE)
Titsian Tabidze St. 76, 0179, Tbilisi (GE);
Malkhaz Narimanashvili (GE)
Vazi Blind Alley 9, 0800, Akhaltsikhe (GE);
Tinatin Gogishvili (GE)
Gldani Gorge, korp. 3, ap. 111, 0107,
Tbilisi (GE);
Ramaz Tkemaladze (GE)
Etseri Village 5510, Chiatura District (GE);
Khatuna Amkoladze (GE)
Meliton & Andria Balanchivadzes St.,
korp. I, ap. 63, 0171, Tbilisi (GE);
Vakhtang Abaishvili (GE)
Shartava St. 6, ap. 53, 0160, Tbilisi (GE);
Nino Nikvashvili (GE)
Chailuri St. 33a, 0171, Tbilisi (GE)

- (72) Malkhaz Akhvlediani (GE);
Zaur Balamtsarashvili (GE);
Zaur Chitidze (GE);
Beka Beriashvili (GE);
Tamaz Mchedlishvili (GE);
Malkhaz Narimanashvili (GE);
Tinatin Gogishvili (GE);
Ramaz Tkemaladze (GE);
Khatuna Amkoladze (GE);
Vakhtang Abaishvili (GE);
Nino Nikvashvili (GE)
(54) **TWO-SIDED CABLE SKIDDING
DEVICE WITH TWO TRACTION
CABLES AND ADJUSTABLE
CROSSWISE BEARING CLOSED
CIRCUIT CABLE**

B 65

- (11) P 2020 7093 B** (51) **Int. Cl. (2006)**
B 65 G 25/08
- (10) AP 2019 14843 A (44) 21(529)/2019
(21) AP 2018 14843
(22) 2018 07 26
(24) 2018 07 26
(73) Khatuna Amkoladze (GE)
Meliton & Andria Balavanchivadzes St.,
korp. I, ap. 63, 0171, Tbilisi (GE);
Tornike Kapanadze (GE)
Tevdore Mghvdeli St. 54, ap. 53, 0154,
Tbilisi (GE);
Davit Mosulishvili (GE)
Megobroba Ave., korp. 41, ap. 64, 3700,
Rustavi (GE);
Dato Nachkebia (GE)
Gamsakhurdia St. 41, ap. 6, 0160,
Tbilisi (GE);
Tinatin Gogishvili (GE)
Gldani Gorge, korp. 3, ap. 111, 0107,
Tbilisi (GE);
Ramaz Tkemaladze (GE)
Village Etseri, 5510, Chiatura (GE);
Zaur Chitidze (GE)
Tarkhnishvili St. 16, 0179, Tbilisi (GE);
Vakhtang Abaishvili (GE)
Shartava St. 6, ap. 53, 0160, Tbilisi (GE);
Tamaz Mchedlishvili (GE)
T. Tabidze St. 76, 0179, Tbilisi (GE);
Zaur Balamtsarashvili (GE)
S. Tsintsadze St. 7, 0160, Tbilisi (GE);
Marine Kashbadze (GE)
Tskalsadeni St. 45, 0153, Tbilisi (GE)
(72) Khatuna Amkoladze (GE);
Tornike Kapanadze (GE);
Davit Mosulishvili (GE);
Dato Nachkebia (GE);
Tinatin Gogishvili (GE);
Ramaz Tkemaladze (GE);

Zaur Chitidze (GE);
 Vakhtang Abaishvili (GE);
 Tamaz Mchedlishvili (GE);
 Zaur Balamtsarashvili (GE);
 Marine Kashibadze (GE)

(54) **AUTOMATIC LATHE PITCH
 CONVEYER CUTTING ORNAMENT**

PART C

C 07

- (11) P 2020 7096 B (51) Int. Cl. (2006)
 C 07 D 233/86
 C 07 D 491/107
 A 61 K 31/4188
 A 61 K 31/4166
 A 61 P 35/00
- (10) AP 2019 14411 A (44) 20(528)/2019
 (21) AP 2015 14411
 (22) 2015 06 26
 (24) 2015 06 26
 (31) 2014127705
 (32) 2014 07 08
 (33) RU
 (86) PCT/RU2015/000395, 2015 06 26
 (73) R-PHARM OVERSEAS INC (US)
 2 E. 7th St. Wilmington, DE 19801 (US)
 (72) IVACHTCHENKO, Alexandre
 Vasilievich (RU)
 (74) Shalva Gvaramadze
 (54) **SUBSTITUTED 2-THIOXO-IMIDAZOLI-
 DIN-4-ONES AND SPIRO ANALOGUES
 THEREOF, ACTIVE ANTI-CANCER
 INGREDIENT, PHARMACEUTICAL
 COMPOSITION, MEDICINAL PREPA-
 RATION, METHOD FOR TREATING
 PROSTATE CANCER**

- (11) P 2020 7082 B (51) Int. Cl. (2006)
 C 07 F 9/576
 A 61 P 19/02
 A 61 K 31/675
- (10) AP 2019 14203 A (44) 22(530)/2019
 (21) AP 2014 14203
 (22) 2014 12 12
 (24) 2014 12 12
 (31) 61/915,937
 (32) 2013 12 13
 (33) US
 (86) PCT/US2014/069916, 2014 12 12
 (73) VERTEX PHARMACEUTICALS
 INCORPORATED (US)
 50 Northern Avenue, Boston,
 MA 0221050 (US)

- (72) ANDERSON, Corey (US);
 HADIDA-RUAH, Sara, Sabina (US);
 GOLEC, Julian Marian, Charles (GB);
 ZHANG, Beili (US);
 LITTLER, Benjamin, Joseph (US);
 KESHAVARZ-SHOKRI, Ali (US);
 ALCACIO, Tim, Edward (US);
 BELMONT, Daniel, T. (US)

- (74) Shalva Gvaramadze
 (54) **PRODRUGS OF PYRIDONE
 AMIDES USEFUL AS MODULATORS
 OF SODIUM CHANNELS**

C 10

- (11) P 2020 7087 B (51) Int. Cl. (2006)
 C 10 G 1/02
 C 10 G 1/00
 E 21 B 43/00
 E 21 B 43/16
 E 21 B 43/24
- (10) AP 2019 14738 A (44) 23(531)/2019
 (21) AP 2016 14738
 (22) 2016 09 29
 (24) 2016 09 29
 (31) 62/235,091
 (32) 2015 09 30
 (33) US
 (86) PCT/US2016/054523, 2016 09 29
 (73) RED LEAF RESOURCES, INC. (US)
 32 West 200 South, #552 Salt Lake City,
 UT 84101 (US)
 (72) OTTERSTROM, Gary (US);
 PLIKAS, Tom (CA);
 SHAH, Umesh (CA)
 (74) Shalva Gvaramadze
 (54) **STAGED ZONE HEATING OF
 HYDROCARBONS BEARING
 MATERIALS**

C 22

- (11) P 2020 7097 B (51) Int. Cl. (2006)
 C 22 C 33/02
 C 22 C 38/40
 F 28 F 19/06
 F 28 F 21/08
- (10) AP 2019 14223 A (44) 23(531)/2019
 (21) AP 2014 14223
 (22) 2014 12 23
 (24) 2014 12 23
 (31) 13199704.1
 (32) 2013 12 27
 (33) EP
 (86) PCT/NL2014/050902, 2014 12 23
 (73) STAMICARBON B.V. (NL)
 Mercator 3 NL-6135 KW Sittard (NL)

- (72) LARSSON, Linn (SE);
 GULLBERG, Daniel (SE);
 KIVISÄKK, Ulf (SE);
 ÖSTLUND, Martin (SE);
 SCHEERDER, Alexander Aleida
 Antonius (NL)
- (74) Liliana Darakhvelidze
- (54) **CORROSION RESISTANT DUPLEX
 STEEL ALLOY, OBJECTS MADE
 THEREOF, AND METHOD OF MAKING
 THE ALLOY**

PART D

D 04

- (11) **P 2020 7085 B** (51) **Int. Cl. (2006)
 D 04 B 27/24
 D 04 B 21/12**
- (10) AP 2019 14795 A (44) 23(531)/2019
 (21) AP 2016 14795
 (22) 2016 10 13
 (24) 2016 10 13
 (31) 10 2015 119 867.3
 (32) 2015 11 17
 (33) DE
 (86) PCT/EP2016/074610, 2016 10 13
- (73) KARATZIS S.A. INDUSTRIAL &
 HOTELIER ENTERPRISES (GR)
 1490 Melidochori Perfecture N. Kazantzaki
 Heraclion (GR)
- (72) KARATZIS, Antonios (GR)
 (74) Shalva Gvaramadze
- (54) **RASCHEL MACHINE, NET, AND USE
 OF THE RASCHEL MACHINE TO
 PRODUCE A NET**

PART F

F 02

- (11) **P 2020 7084 B** (51) **Int. Cl. (2006)
 F 02 B 57/00**
- (10) AP 2019 14866 A (44) 23(531)/2019
 (21) AP 2018 14866
 (22) 2018 08 27
 (24) 2018 08 27
- (73) Giorgi Chilashvili (GE)
 Patardzeuli St. 12, 0144, Tbilisi (GE)
- (72) Giorgi Chilashvili (GE);
 Varlam Chilashvili (GE)

- (54) **FIVE-CYCLE ROTARY INTERNAL
 COMBUSTION ENGINE WITH FULL
 VOLUME EXPANSION**

F 42

- (11) **P 2020 7090 B** (51) **Int. Cl. (2006)
 F 42 B 7/06
 F 42 B 77/08**
- (10) AP 2019 14636 A (44) 22(530)/2019
 (21) AP 2015 14636
 (22) 2015 04 30
 (24) 2015 04 30
 (86) PCT/ES2015/070356, 2015 04 30
- (73) LÓPEZ-POZAS LANUZA, Enrique (ES)
 Nuestra Señora de Gracia 3-5A, Marbella,
 Malaga, 29602 (ES)
- (72) LÓPEZ-POZAS LANUZA, Enrique (ES)
 (74) Larisa Amirkhanyan
- (54) **BIODEGRADABLE CARTRIDGE
 FOR SHOTGUNS**

UTILITY MODELS

APPLICATION APPROVED FOR GRANTING PATENT

The decision can be appealed at the Chamber of Appeal of Sakpatenti within 3 months from the publication or at the Mtskheta District Court Administrative Cases Board (Address: №17, Samkhedro str., Mtskheta), within 1 month following the publication.

PART C

C 12

(10) AU 2020 15197 U (51) Int. Cl. (2006)

C 12 G 1/02

(21) AU 2019 15197 (22) 2019 10 16

(71) Akaki Tsereteli State University (GE)

Tamar Mepea St. 59, 4600, Kutaisi,

Georgia (GE);

Temur Ghvinianidze (GE)

Mgaloblishvili St. 14, 4600, Kutaisi,

Georgia (GE)

(72) Temur Ghvinianidze (GE)

(74) Archil Geguchadze

(54) **ANTIOXIDANT SPECIAL DESSERT**

WINE

(57) Dessert wine contains wine material, vacuum sweet, caramelized grape seed ethanol extract, rosehip fruit concentrate, and linden flower honey; at that, Aladasturi, Otskhanuri Sapere, Cabernet Sauvignon and Seibel 5455 grape varieties cepage has been taken for wine material and vacuum sweet preparation.

Claims: 1 independent

1 dependent

PATENTED UTILITY MODELS

PART B

B 28

- (11) U 2020 2036 Y (51) Int. Cl. (2006)
B 28 B 1/08
(10) AU 2019 15097 U (44) 24(532)/2019
(21) AU 2019 15097
(22) 2019 05 30
(24) 2019 05 30
(73) Revaz Sikharulidze (GE)
Tkibuli St. 16, 0178, Tbilisi
(72) Revaz Sikharulidze (GE)
(54) **DEVICE FOR PRODUCING TWO-
LAYER BLOCKS**
-

PART E

E 04

- (11) U 2020 2035 Y (51) Int. Cl. (2006)
E 04 H 6/12
(10) AU 2019 14787 U (44) 19(527)/2019
(21) AU 2018 14787
(22) 2018 05 17
(24) 2018 05 17
(73) Sergo Jorbenadze (GE)
R.Tabukashvili St. 46, ap. 8, 0108,
Tbilisi (GE)
(72) Sergo Jorbenadze (GE)
(54) **AUTO SUBSTANTIAL FIXER**
-

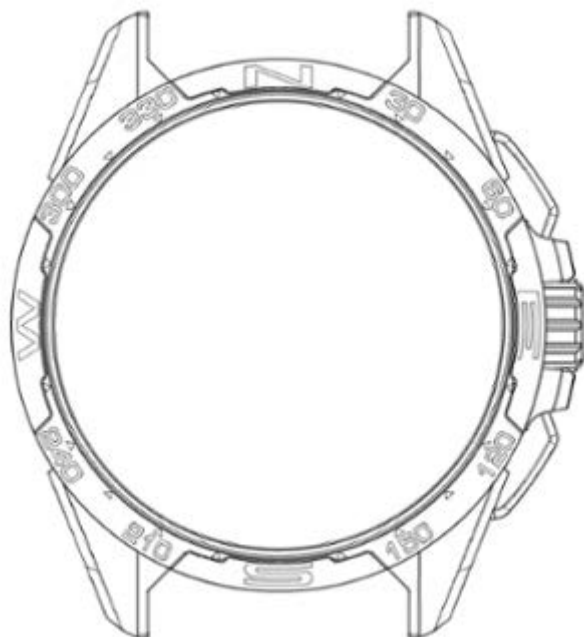
DESIGNS

DESIGNS, WHICH HAVE BEEN REGISTERED WITH THE INTERNATIONAL BUREAU CLAIMING PRIORITY ON THE TERRITORY OF GEORGIA

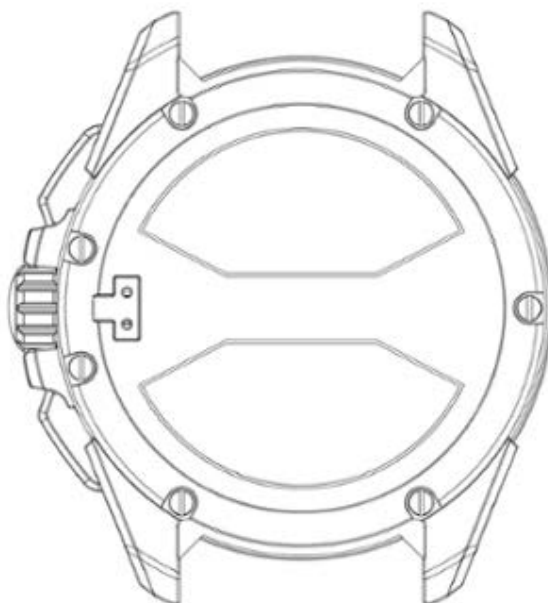
The decision can be appealed at the Chamber of Appeal of Sakpatenti within 3 months from the publication or at the Mtskheta District Court Administrative Cases Board (Address: №17, Samkhedro Str., Mtskheta), within 1 month following the publication.

- (11) **DM/202 800** (51) **10-07**
(15) 2019 06 28 (44) 01/2020 (2020 01 03)
(22) 2019 06 28
(28) 2
(73) TISSOT SA (TISSOT AG) (TISSOT LTD)
17, Chemin Des Tourelles, 2400 Le Locle (CH)
(85) CH
(86) CH
(87) CH
(88) CH
(89) CH
(81) II. MA III. UA, AM, AL, ME, MD, SG, NO, BA, GE, MK, TR, GB, TN, EM, CH, RU
(72) Lorenzo VALLONE
Place De L'Eglise 19, 1255, Veyrier (CH);
Laurie SAUNDERS
Chemin Des Tourelles 17, 2400, Le Locle (CH)
(74) The Swatch Group AG (The Swatch Group SA) (The Swatch Group Ltd);
The Swatch Group AG (The Swatch Group SA) (The Swatch Group Ltd) (CH)
(54) 1. Watch case, 2. Watch bracelet
(55)

1.1



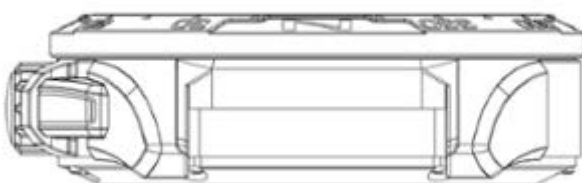
1.2



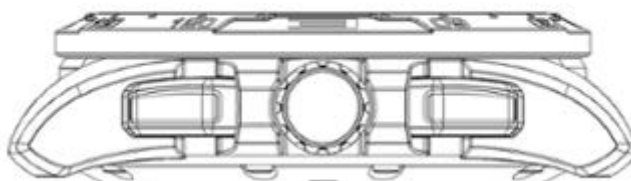
1.3



1.4

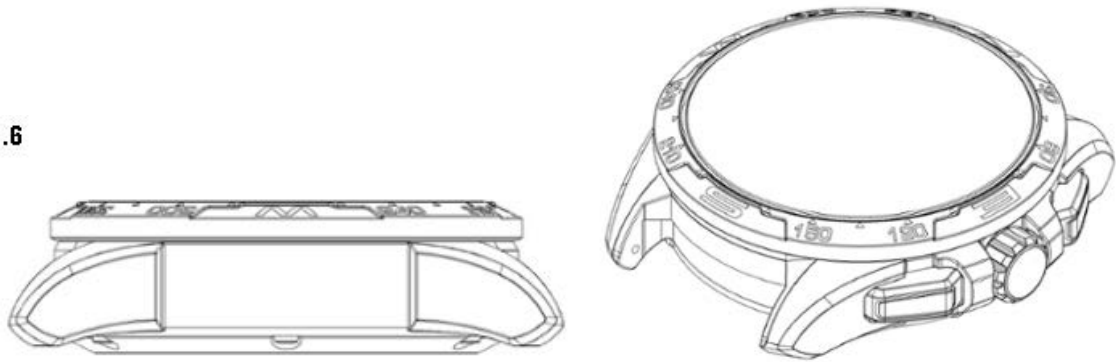


1.5



1.7

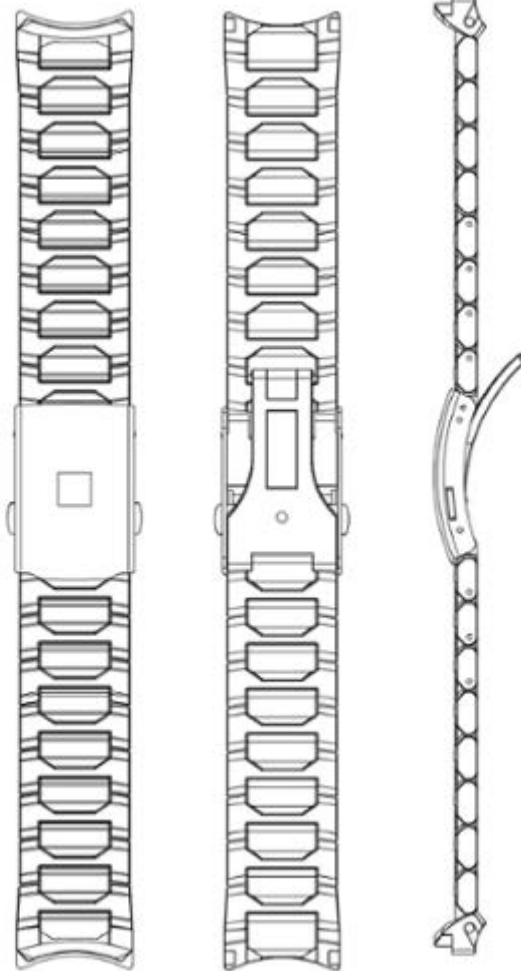
1.6



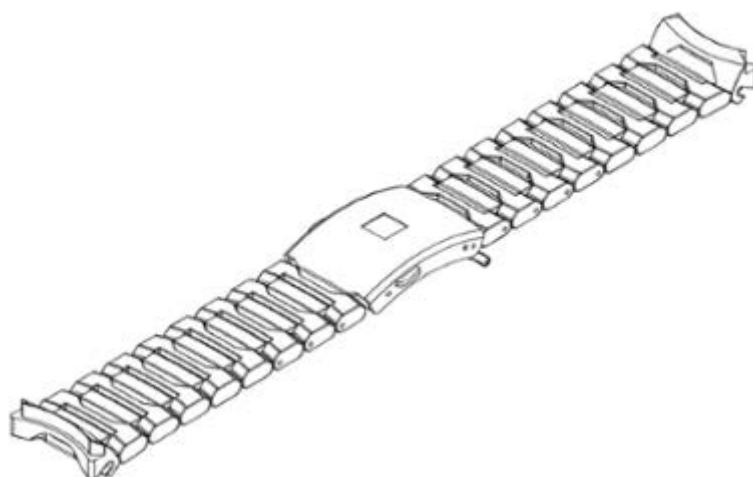
2.1

2.2

2.3



2.4



2.5



(11) DM/203 137

(15) 2019 07 09

(22) 2019 07 09

(28) 2

(73) HARRY WINSTON SA

Chemin du Tourbillon 8, 1228 Plan-les-Ouates (CH)

(85) CH

(86) CH

(87) CH

(88) CH

(89) CH

(81) IL, MA, III, AM, MD, MN, TR, GB, TN, CH, UA, AL, AZ, ME, BZ, MC, SG, NO, BA, MK, CA, GE, OM, LI, KG, EM, RU

(72) Chaeree KWON

c/o Harry Winston Inc. 718 Fifth Avenue, 10019, New York (US)

(74) The Swatch Group AG (The Swatch Group SA) (The Swatch Group Ltd.)

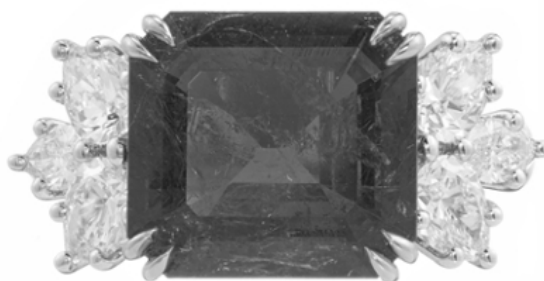
Faubourg du Lac 6, 2501 Biel/Bienne (CH)

(54) 1. Ring, 2. Pair of earrings

(55)

(51) 11-01

(44) 02/2020 (2020 01 10)



1.1



1.2



1.3





2.3



2.4



2.5



(11) DM/203 185

(51) 11-01

(15) 2019 07 04

(44) 02/2020 (2020 01 10)

(22) 2019 07 04

(28) 2

(73) HARRY WINSTON SA

Chemin du Tourbillon 8, 1228 Plan-les-Ouates (CH)

(85) CH

(86) CH

(87) CH

(88) CH

(89) CH

(81) IL, MA, III, AM, MD, MN, TR, GB, TN, CH, UA, AL, AZ, ME, BZ, MC, SG, NO, BA, MK, OM, GE, CA, LI, KG, EM, RU

(72) 1: Delphine ABDOURAHIM

c/o Harry Winston Inc. 718 Fifth Avenue, 10019, New York (US);

2: Dominique RIVIERE

c/o Harry Winston Inc. 718 Fifth Avenue, 10019, New York (US)

(74) The Swatch Group AG (The Swatch Group SA) (The Swatch Group Ltd.)

Faubourg du Lac 6, 2501 Biel/Bienne (CH)

(54) 1. Pair of earrings, 2. Finger ring

(55)



1.1



1.2



1.3





1.4



1.5



1.6





1.7



1.8



2.1



2.2



2.3



2.4



2.5



2.6



2.7



2.8

(11) DM/202 946

(15) 2019 07 11

(22) 2019 07 11

(28) 7

(73) Chanel SARL

Quai Du Général-Guisan 24, 1204 Genève (CH)

(85) CH

(86) CH

(87) CH

(88) CH

(89) CH

(81) II. GR, MA III. TR, GE, TN, AZ, BG, EG

(72) Marianna NITSCH

135 Avenue Charles De Gaulle, 92521, Neuilly-sur-Seine (FR)

(54) 1.-6. Handbag, 7. Shoulder strap for bags

(55)

(51) 03-01

(44) 03/2020 (2020 01 17)

1.1



1.2

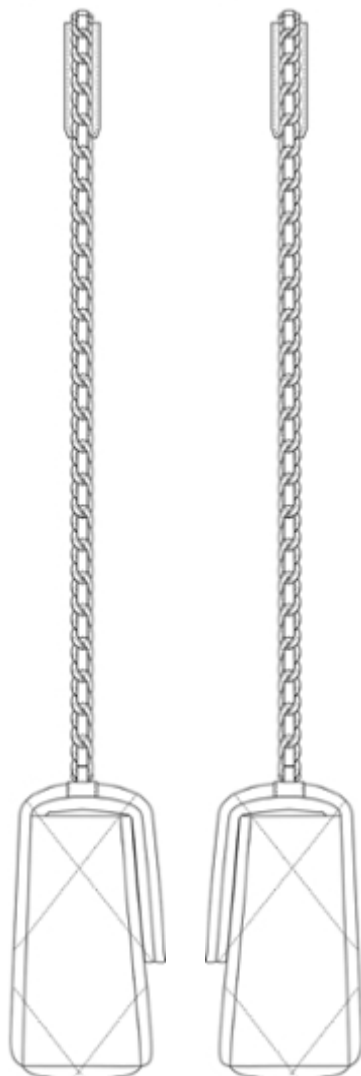


1.3

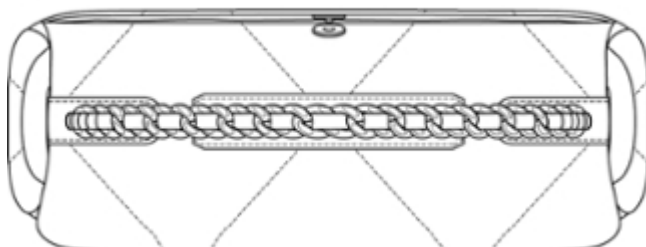


1.4

1.5



1.6



2.1



2.2



2.3



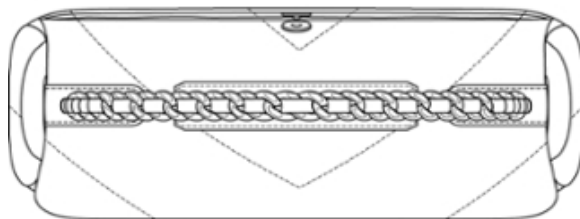
2.4



2.5



2.6



2.7



3.1



3.2



3.3



3.4

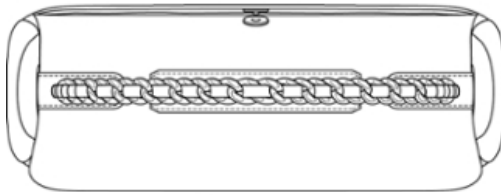


3.5



4.1

3.6



4.2

3.7



4.3

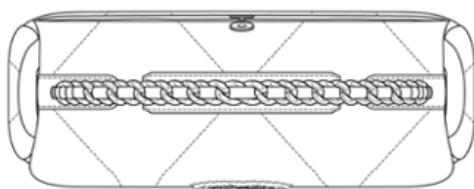
4.4



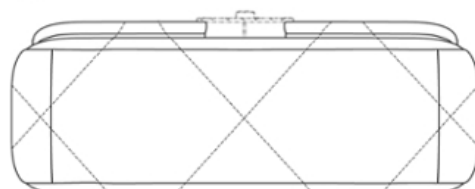
4.5



4.6



4.7



5.1

5.2

5.3

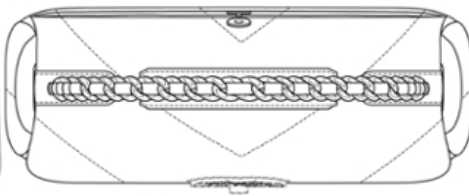
5.4



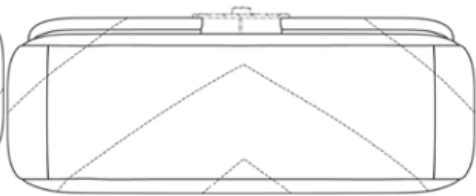
5.5



5.6



5.7



6.1

6.2

6.3

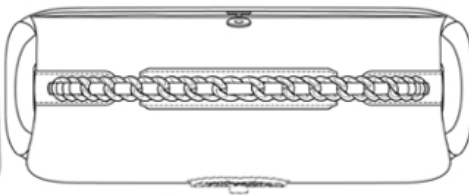
6.4



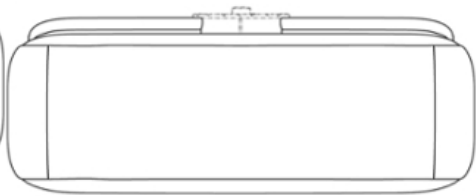
6.5



6.6



6.7

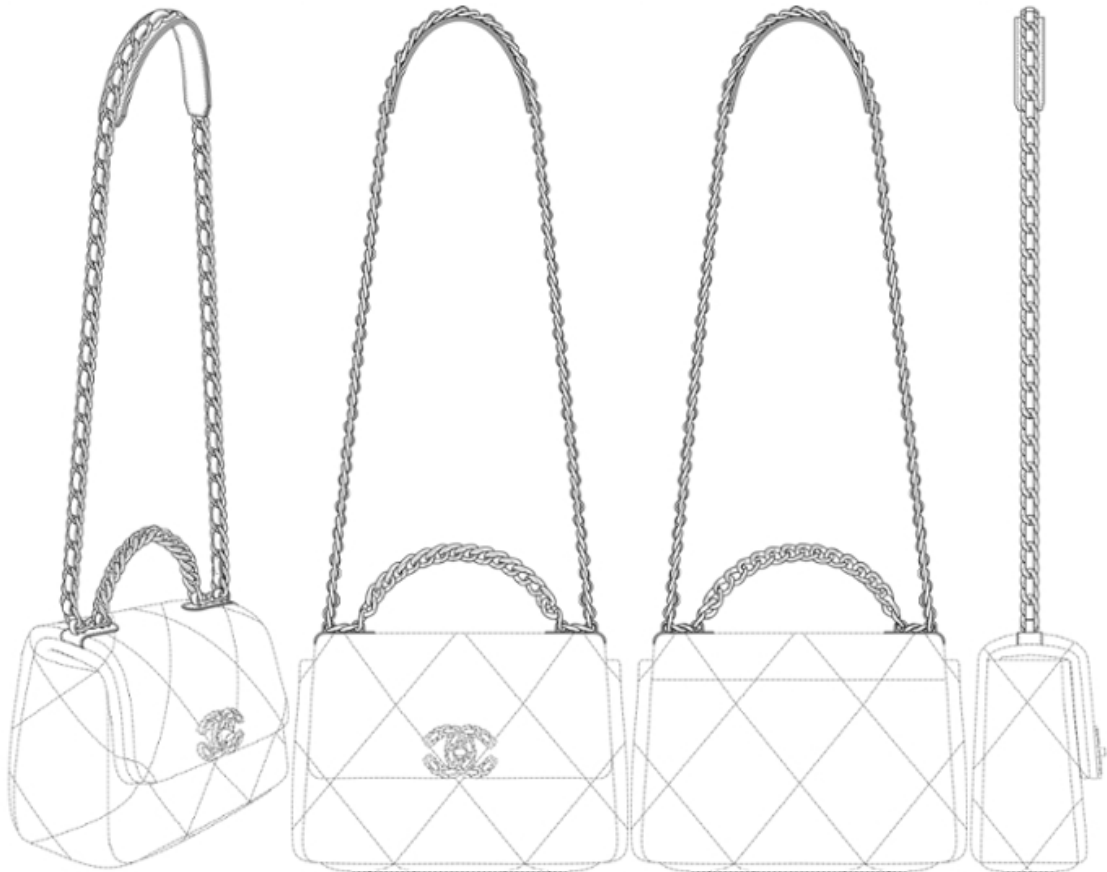


7.1

7.2

7.3

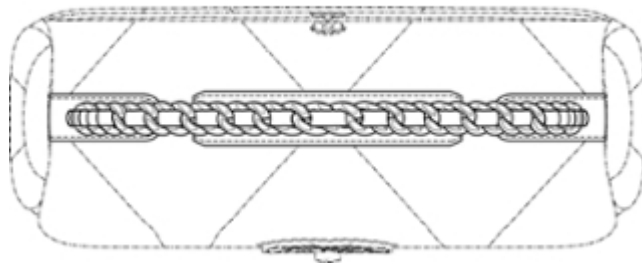
7.4



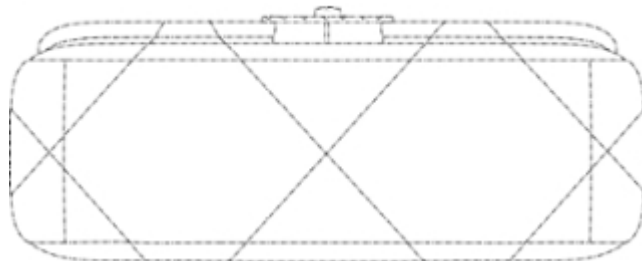
7.5



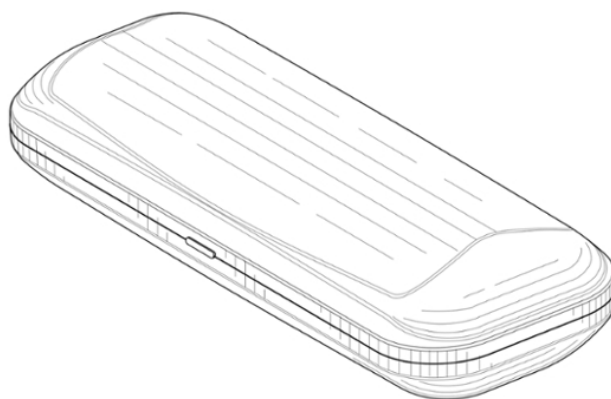
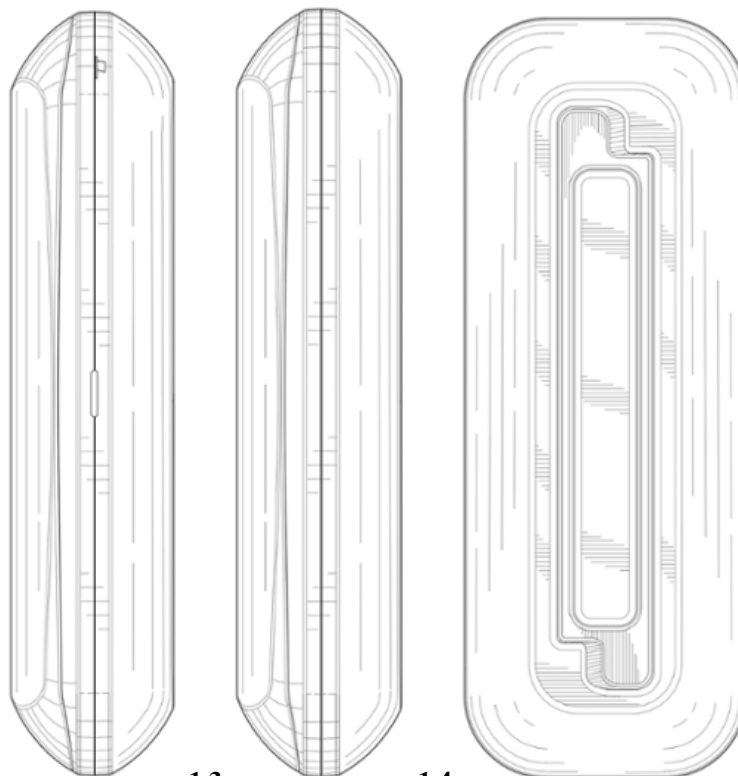
7.6

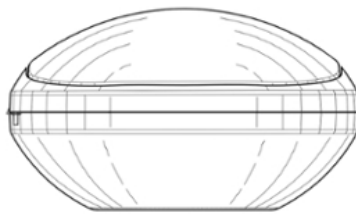


7.7



- (11) **DM/205 173** (51) **06-04**
(15) 2019 11 04 (44) 03/2020 (2020 01 17)
(22) 2019 11 04
(28) 1
(30) No1: 01.11.2019; 29711734; US
(73) Pyramidestal Inc.
331 Robinson Sud, J2G7M7 Granby, QC (CA)
(85) –
(86) CA
(87) CA
(88) CA
(89) CA
(81) III. GE, CA, EM, JP, MC, RU, OA, EG
(72) Pierre Beliveau
331 Robinson Sud, J2G 7M7, Granby (CA)
(74) Louis Tessier
PO Box. 54029, H3P 3H4 Mont-Royal, QC (CA)
(54) 1. Coffin
(55)

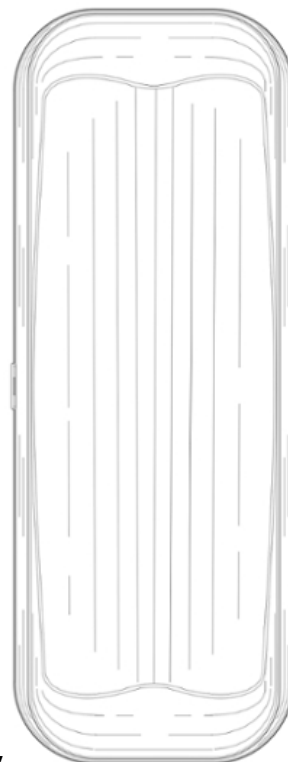
**1.1****1.2****1.3****1.4**



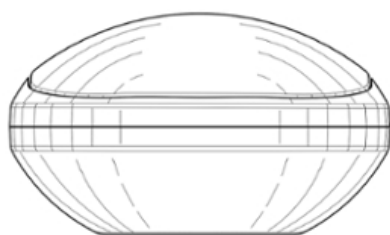
1.5



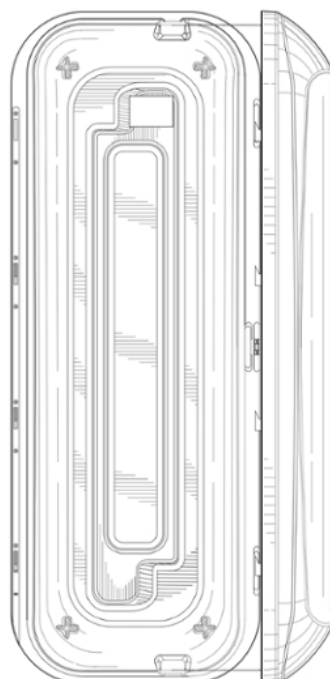
1.6



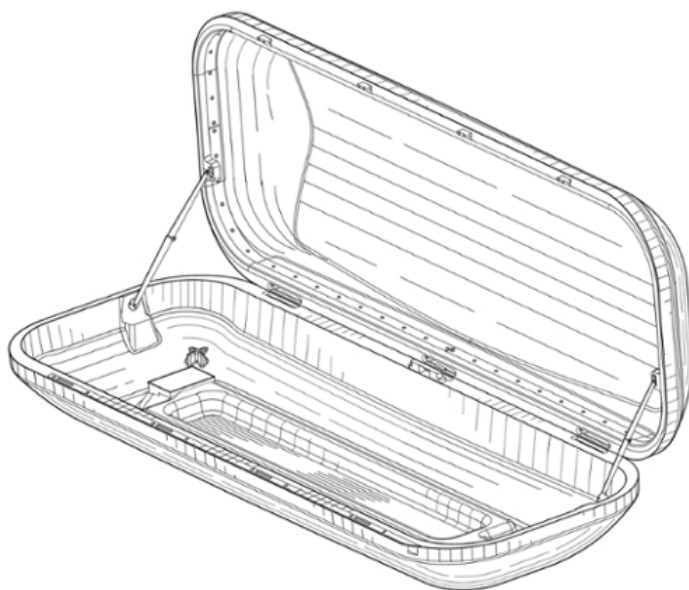
1.7



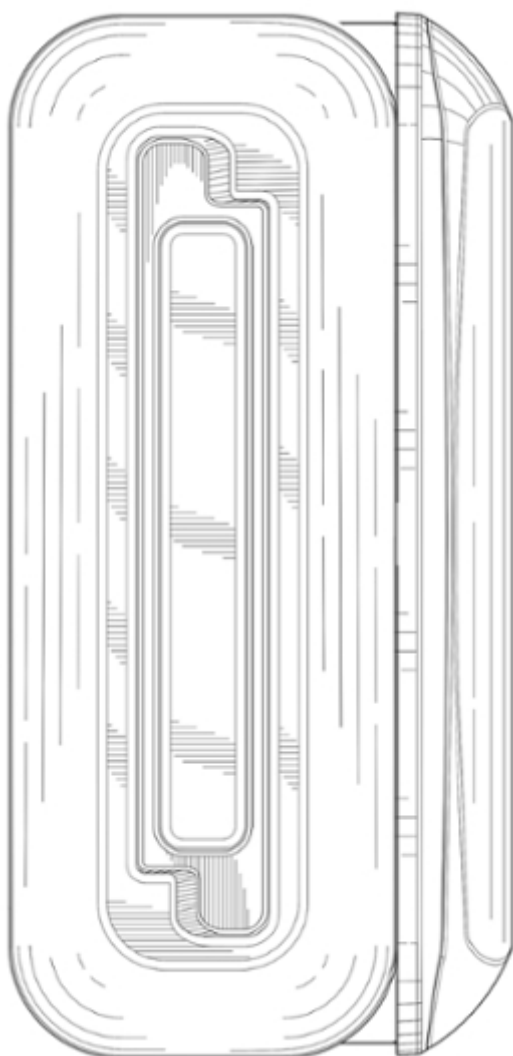
1.8



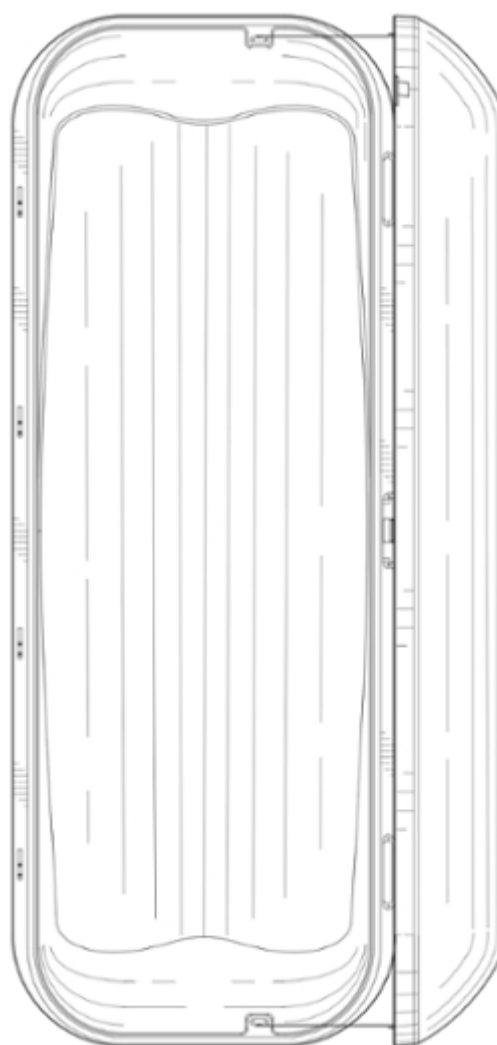
1.9



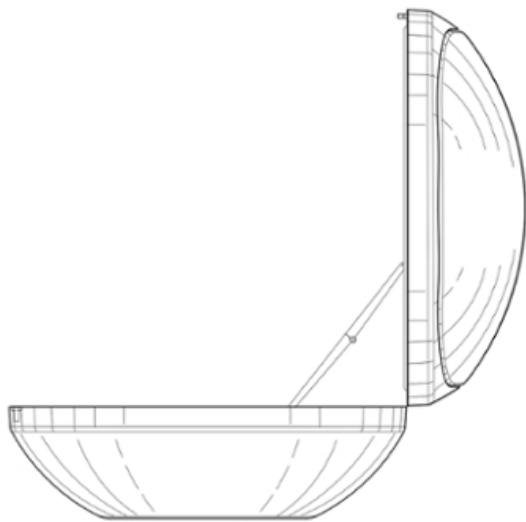
1.10



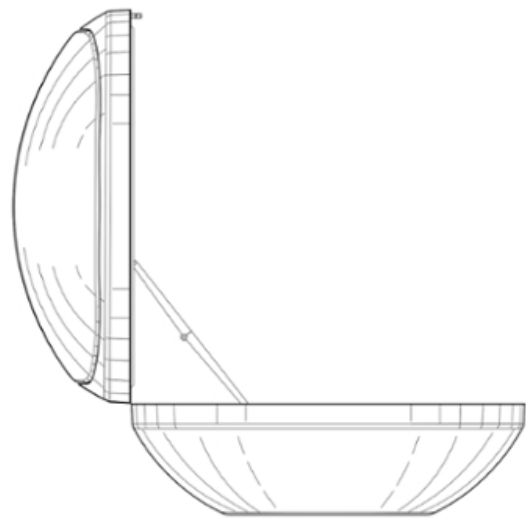
1.11



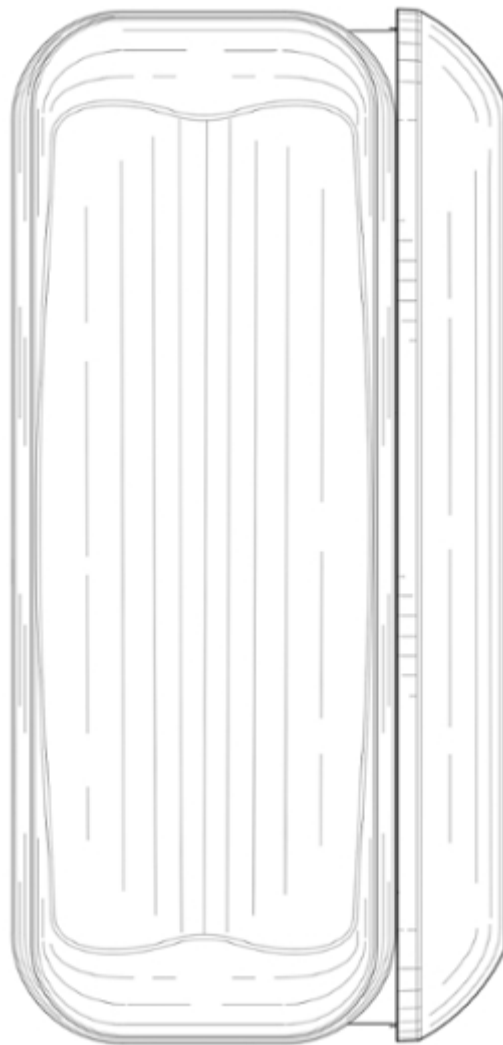
1.12



1.13



1.14



1.15

(11) DM/203 661

(15) 2019 07 16

(22) 2019 07 16

(28) 9

(30) No1: 24.01.2019; 402019100093.3; DE; No2: 24.01.2019; 402019100093.3; DE;
No3: 24.01.2019; 402019100093.3; DE; No4: 24.01.2019; 402019100093.3; DE;
No5: 24.01.2019; 402019100093.3; DE; No6: 24.01.2019; 402019100093.3; DE;
No7: 24.01.2019; 402019100093.3; DE; No8: 24.01.2019; 402019100093.3; DE;
No9: 24.01.2019; 402019100093.3; DE

(73) MAN Truck & Bus SE

Dachauer Str. 667, 80995 München (DE)

(85) –

(86) –

(87) DE

(88) DE

(89) DE

(81) II. MA III. UA, AM, AL, ME, SG, NA, OA, RS, NO, BA, OM, TR, MK, GE, RO, GB, TN, EM, KR,
CH, RU, EG

(72) Holger Koos

Dachauer Str. 667, 80995, München (DE)

(54) 1.-9. Cabin for vehicles

(55)

**1.1****1.2**



1.3



1.4



1.5



1.6



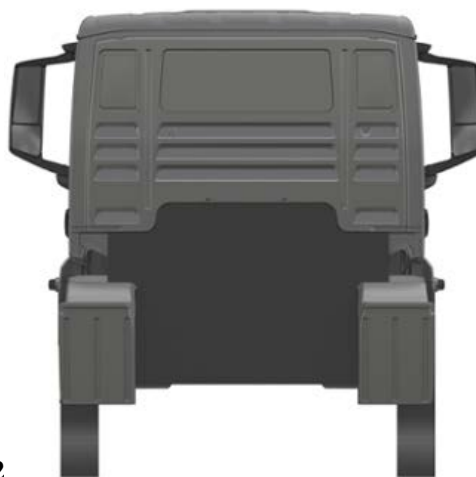
1.7



1.8



2.1



2.2



2.3



2.4



2.5



2.6



2.7



2.8



3.1



3.2



3.3



3.4



3.5



3.6



3.7



3.8



4.1



4.2



4.3



4.4



4.5



4.6



4.7



4.8





5.7



5.8



6.1



6.2



6.3



6.4



6.5



6.6



6.7



6.8



7.1



7.2



7.3



7.4



7.5



7.6



7.7



7.8



8.1



8.2



8.3



8.4



8.5



8.6



8.7



8.8



9.1



9.2



9.3



9.4



9.5



9.6



9.7



9.8

(11) DM/203 280

(51) 11-01

(15) 2019 07 24

(44) 04/2020 (2020 01 24)

(22) 2019 07 24

(28) 6

(73) HARRY WINSTON SA

Chemin du Tourbillon 8, 1228 Plan-les-Ouates (CH)

(85) CH

(86) CH

(87) CH

(88) CH

(89) CH

(81) II. MA III. AM, MD, MN, TR, GB, TN, CH, UA, AL, AZ, BZ, ME, MC, SG, NO, BA, MK, CA, GE, OM, LI, KG, EM, RU

(72) 1-3 Delphine ABDOURAHIM

c/o Harry Winston Inc., 718 Fifth Avenue, 10019, New York (US);

4 Rie YATSUGI-KANG

c/o Harry Winston Inc., 718 Fifth Avenue, 10019, New York (US);

5-6 Dominique RIVIERE

c/o Harry Winston Inc., 718 Fifth Avenue, 10019, New York (US)

(74) The Swatch Group AG (The Swatch Group SA) (The Swatch Group Ltd.)

Faubourg du Lac 6, 2501 Biel/Bienne (CH)

(54) 1. Necklace, 2. Earrings, 3.-4. Necklace, 5. Bracelet, 6. Ring

(55)



1.1



1.2



1.3



1.4



1.5



1.6



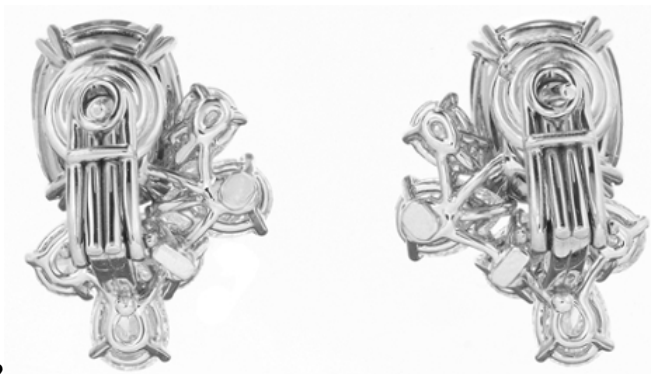
1.7



1.8



2.1



2.2



2.3



2.4



2.5



2.6



2.7



2.8



3.1



3.2



3.3



3.4



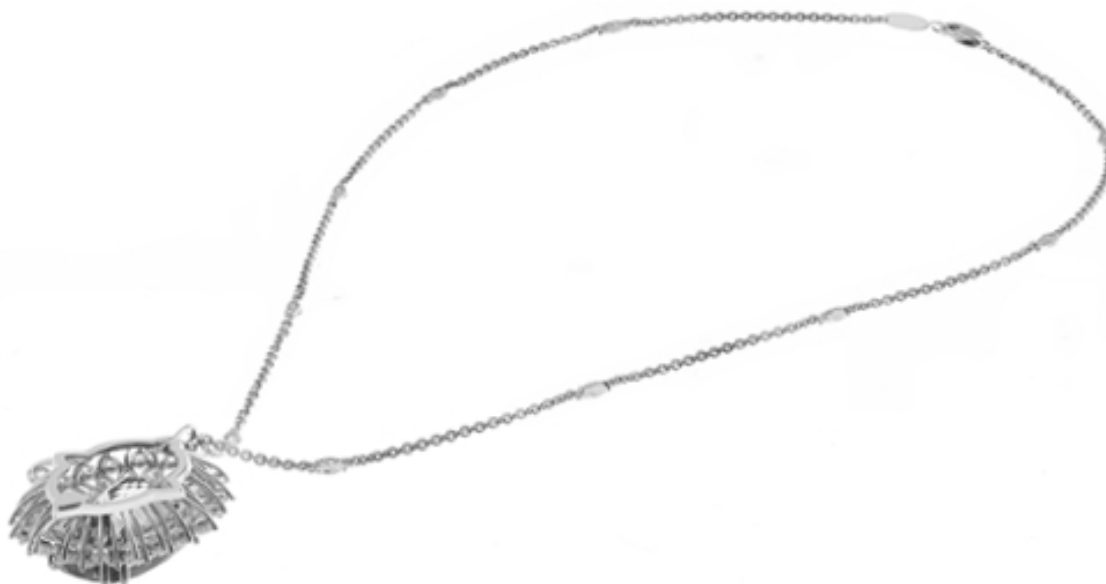
3.5



3.6



3.7



3.8



4.1



4.2



4.3



4.4



4.5



4.6



4.7



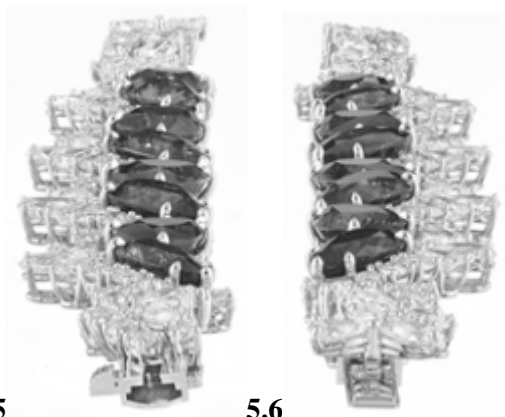
4.8

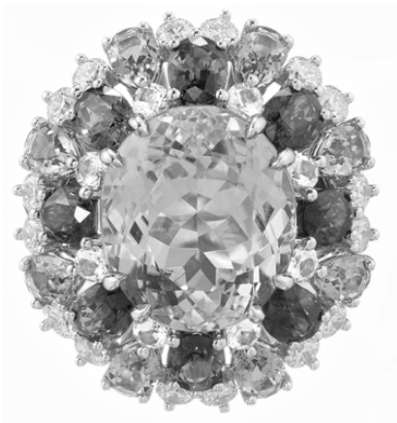


5.1



5.2





6.1



6.2



6.3



6.4



6.5



6.6



6.7



6.8

(11) DM/202 924

(15) 2019 07 24

(22) 2019 07 24

(28) 1

(30) No1: 25.01.2019; 29678096; US

(73) Stinger Oil Tools, LLC

3701 Briarpark Drive, Suite 150, 77042 Houston (US)

(85) US

(86) US

(87) US

(88) US

(89) US

(81) III. AM, UA, AL, IS, AZ, ME, MD, MC, BX, SG, RS, NO, BA, MK, OM, CA, GE, LI, GB, EM, KR, CH, RU

(72) Zach Driver

3701 Briarpark Drive, Suite 150, 77042, Houston (US);

Roy Jones

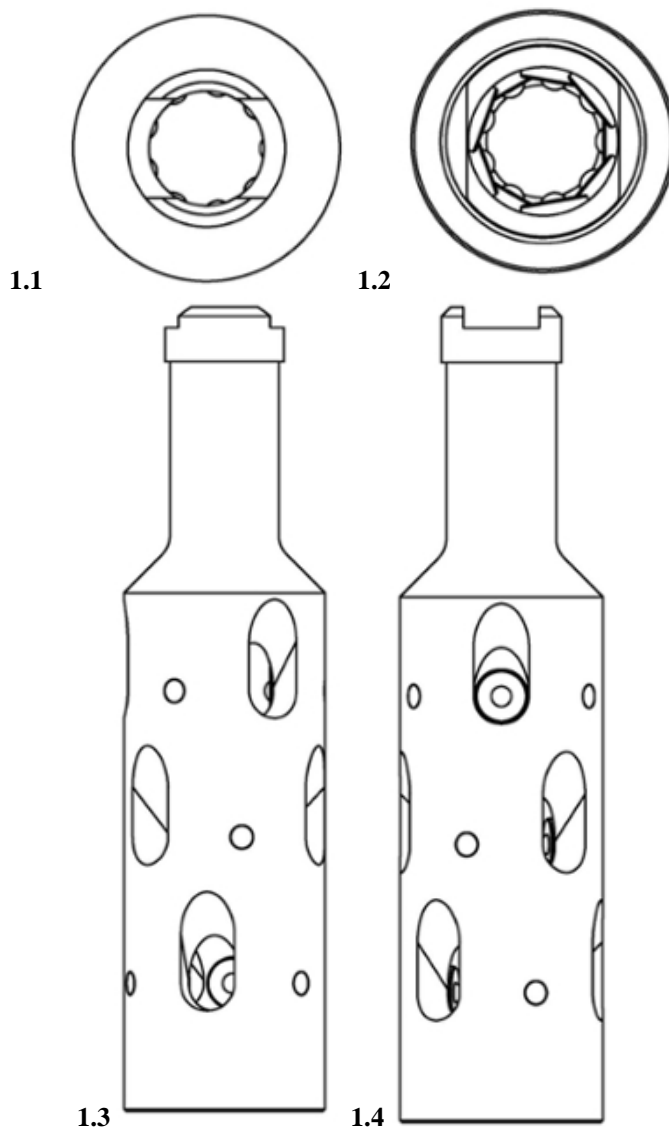
3701 Briarpark Drive, Suite 150, 77042, Houston (US)

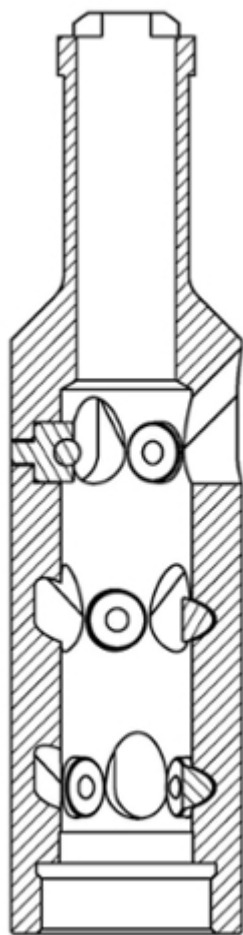
(74) Usha Menon

D'Ambrosio & Menon, PLLC 12808 West Airport Blvd., Suite 329, 77478 Sugar Land (US)

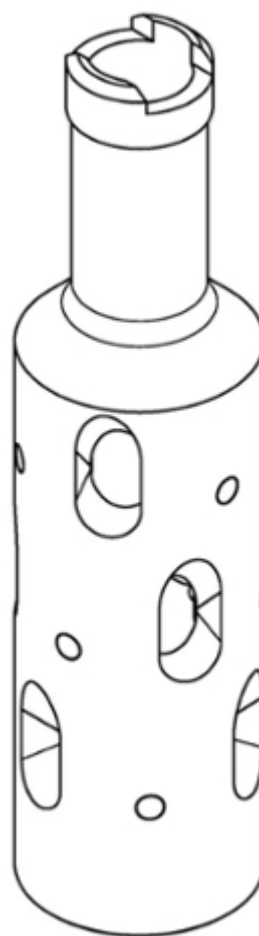
(54) 1. Roller valve rod guide

(55)





1.5



1.6

(11) DM/205 412

(15) 2019 04 12

(22) 2019 04 12

(28) 1

(73) COGNAC FERRAND

4 RUE DE SAINT-PÉTERSBOURG, 75008 PARIS (FR)

(85) FR

(86) FR

(87) FR

(88) FR

(89) FR

(81) III. AM, IS, MD, TJ, MN, TR, GB, KR, JP, CH, UA, AL, AZ, TM, ME, MC, SG, RS, NO, US, MK, GE, CA, LI, KG, EM, RU, EG

(72) IVAN BELL

AGENCE STRANGER & STRANGER-LONDON, 161 Rosebery Avenue, EC1R 4QX, London (GB)

(74) IPSILON, LE CENTRALIS

63, Avenue Du Général Leclerc, 92340 BOURG LA REINE (FR)

(54) 1. Bottle

(55)

1.1



1.2



1.3



1.4



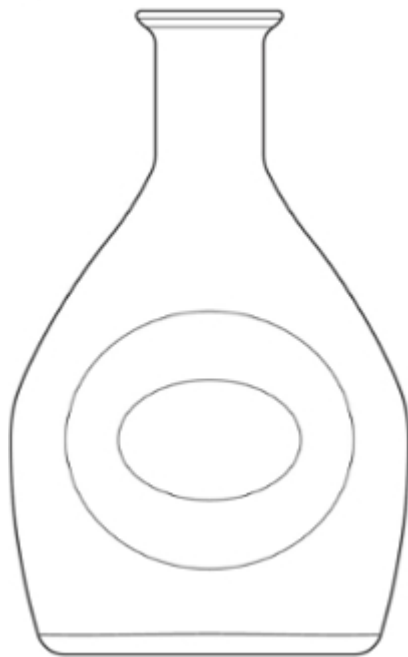
1.5



1.6



1.7



(11) DM/204 152

(51) 10-07

(15) 2019 07 30

(44) 05/2020 (2020 01 31)

(22) 2019 07 30

(28) 4

(30) No1: 22.02.2019; 144550; CH; No2: 22.02.2019; 144550; CH; No3: 22.02.2019; 144550; CH; No4: 22.02.2019; 144550; CH

(73) ROLEX SA

Rue François-Dussaud 3-5-7, 1211 Genève 12 (CH)

(85) CH

(86) CH

(87) CH

(88) CH

(89) CH

(81) IL, MA, SR III, AM, IS, MD, TJ, BW, ST, MN, GH, TR, KH, GB, TN, KR, JP, KP, UA, BN, AL, AZ, TM, ME, BZ, MC, SG, NA, OA, NO, RS, BA, GE, OM, MK, CA, LI, KG, SM, EM, SY, RW, RU, EG

(72) Maria CALVANI

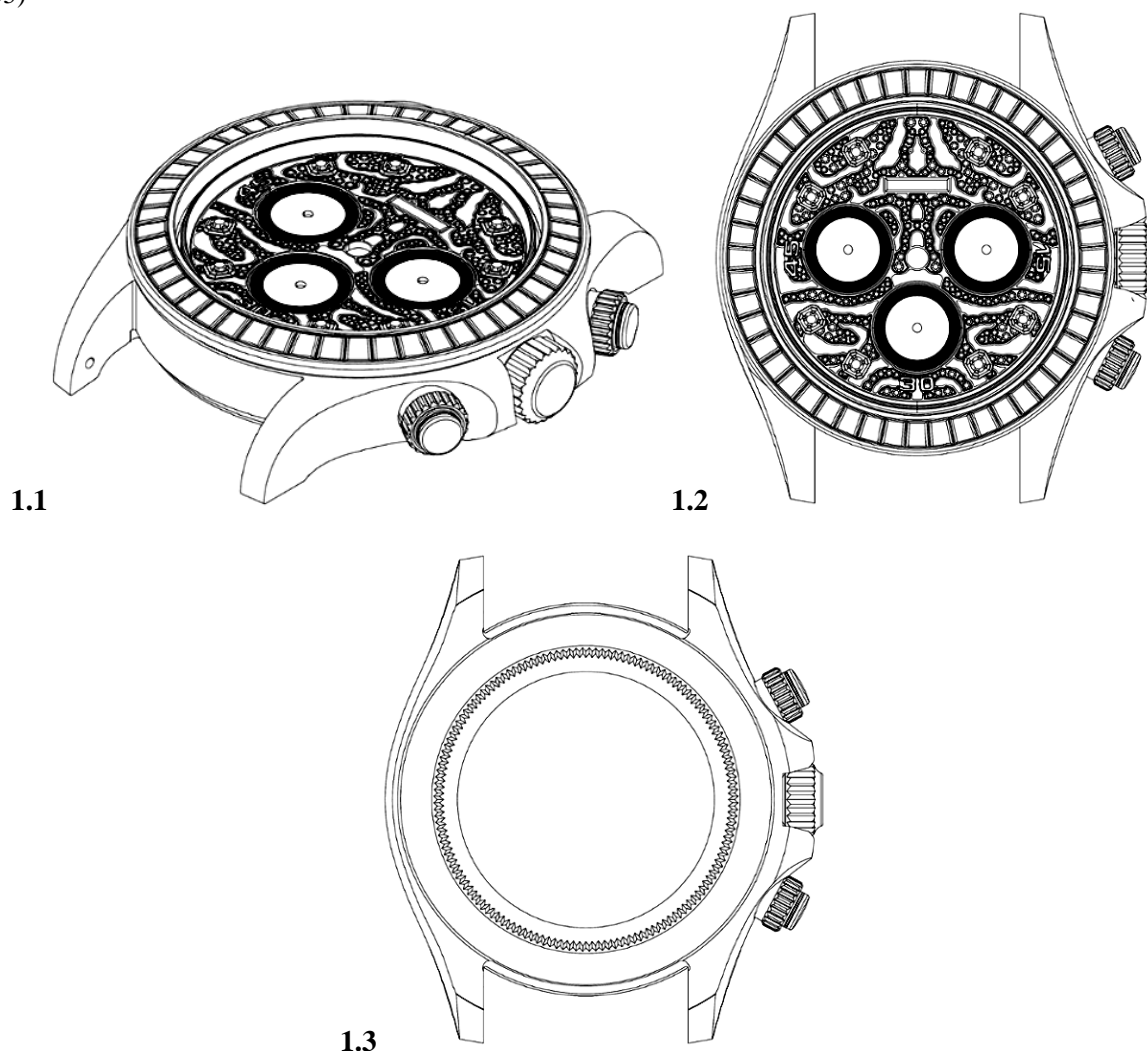
Chemin David Munier 12, 1223, COLOGNY (CH)

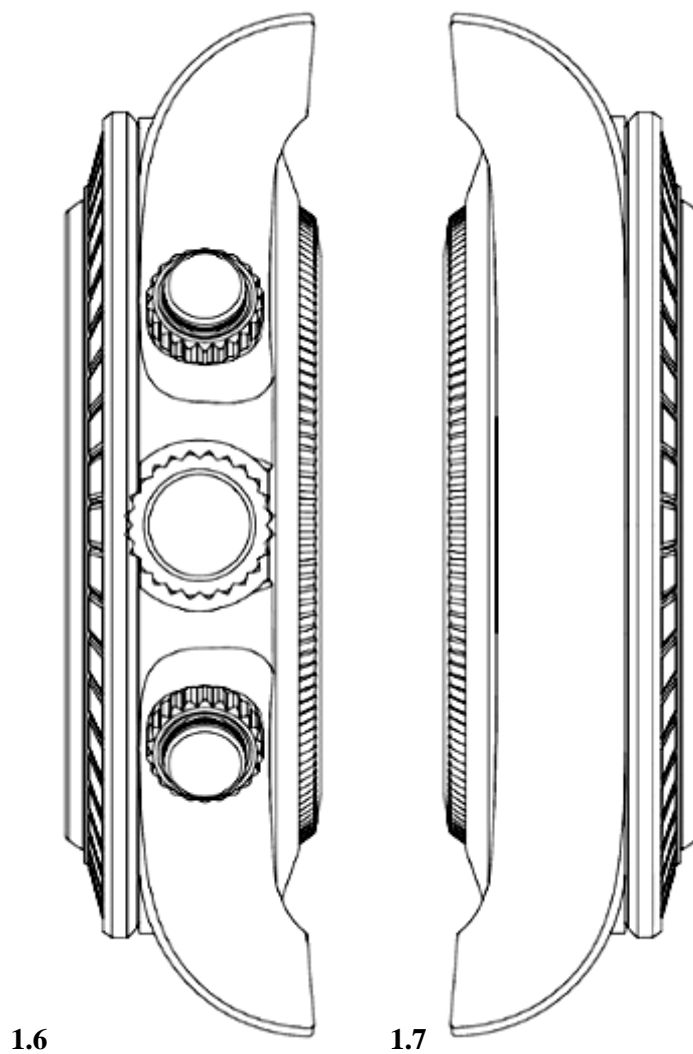
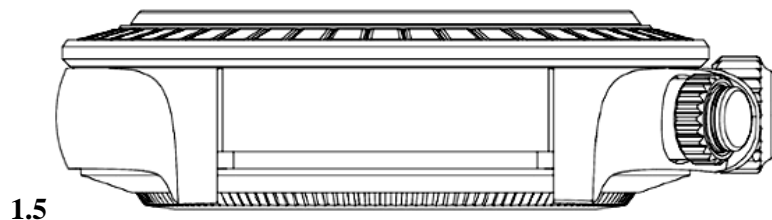
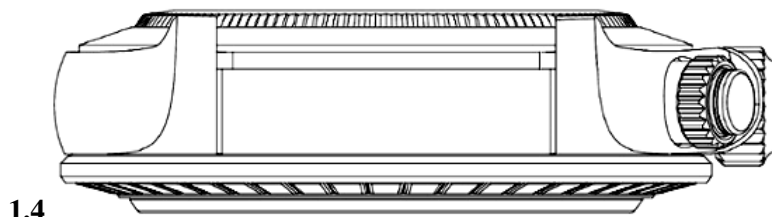
(74) BUGNION S.A.

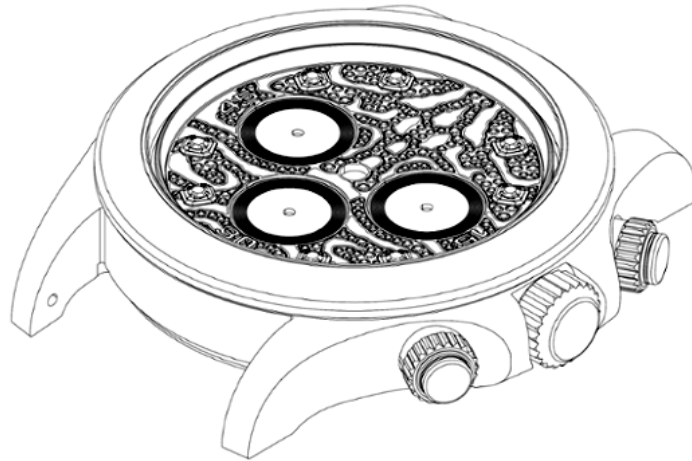
10, Route De Florissant Case Postale 375, 1211 Genève 12 (CH)

(54) 1.-2. Watch case, 3.-4. Watch dial

(55)



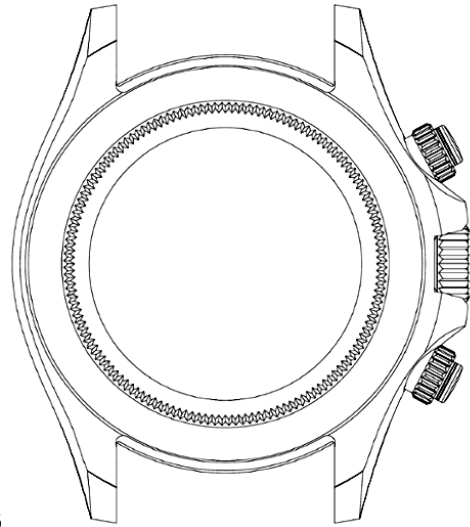




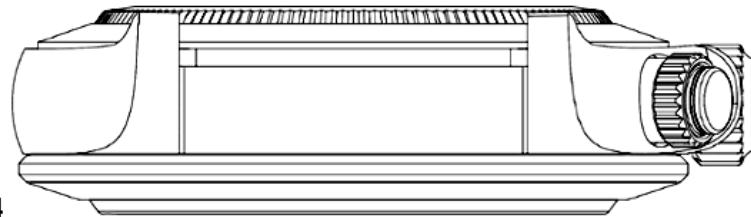
2.1



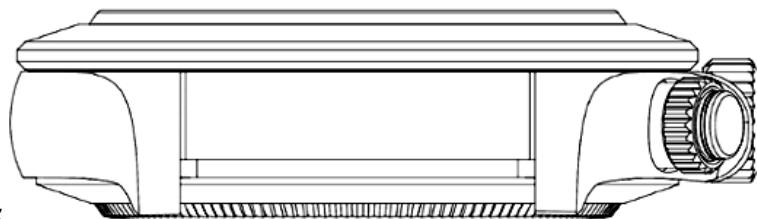
2.2



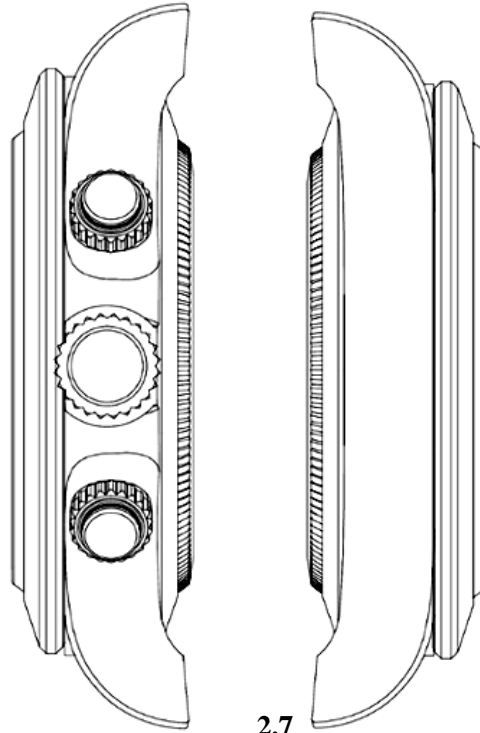
2.3



2.4

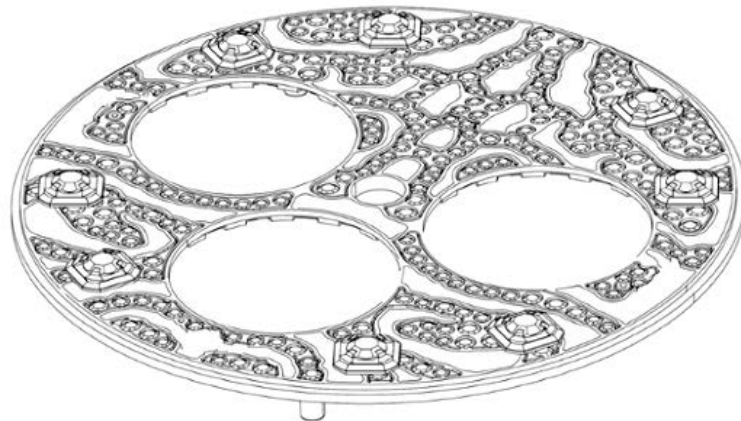


2.5

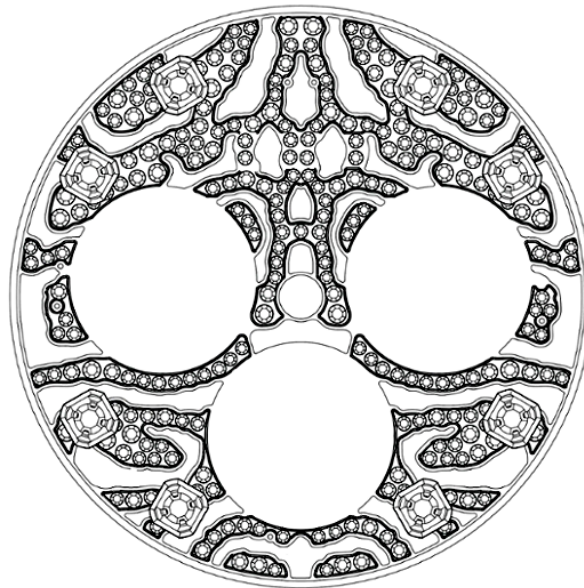


2.6

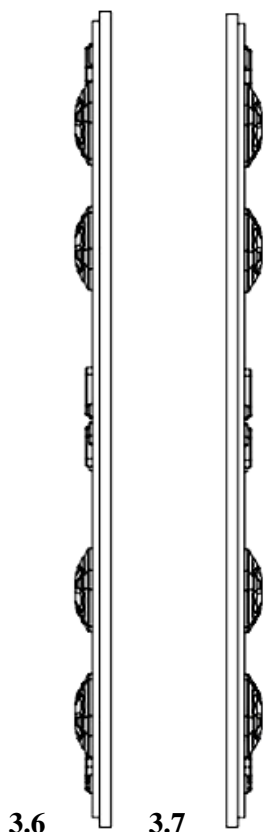
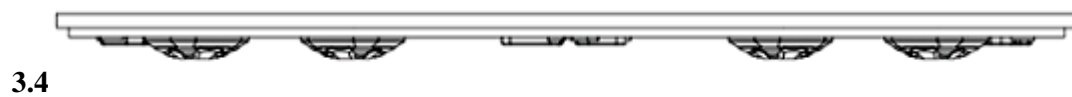
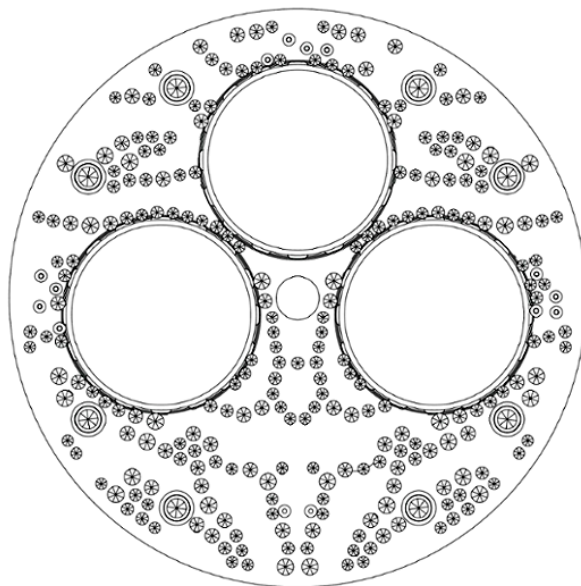
2.7



3.1

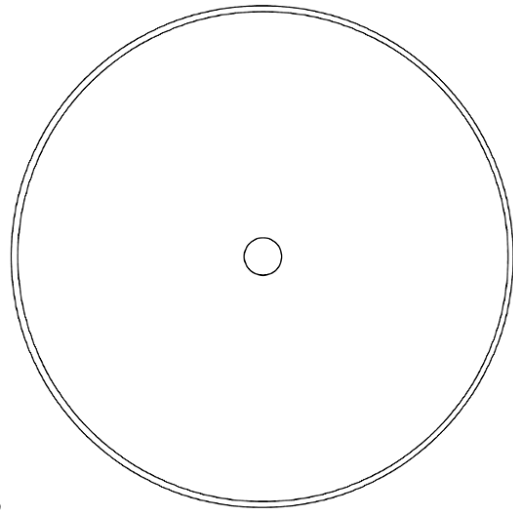


3.2





4.2



4.3



4.4



4.5



4.6



4.7

TRADEMARKS

APPLICATIONS FILED UNDER THE NATIONAL PROCEDURE APPROVED FOR REGISTRATION

The decision can be appealed at the Chamber of Appeal of Sakpatenti within 3 months from the publication or at the Mtskheta District Court Administrative Cases Board (Address: №17, Samkhedro St., Mtskheta), within 1 month following the publication.

(260) AM 2020 99958 A*
(210) AM 99958
(220) 2018 10 22
(731) CORPORACION HABANOS, S.A.
Carretera Vieja de Guanabacoa y Linea del
Ferrocarril Final, Guanabacoa, La Habana,
Cuba
(740) Tamaz Shilakadze
(540)



(591) Black, white, tobacco color, brown, sky-blue,
light green, green, blue, dark yellow, yellow,
red
(531) 01.03.01; 01.03.07; 01.03.15; 02.07.10;
05.01.11; 24.05.07; 25.01.01; 29.01.15
(511) 34

(260) AM 2020 101404 A
(210) AM 101404
(220) 2019 08 05
(731) LTD "S.E.A"
Rkinis Rigi 11, 0105, Tbilisi, Georgia
(540)

**TOURS
& TICKETS**



(591) Yellow, lilac, white, red
(531) 24.15.08; 24.15.13; 24.17.09; 26.04.22;
26.04.24; 27.05.01; 27.05.15; 27.05.24;
29.01.14
(511) 35, 39

(260) AM 2020 101628 A*
(210) AM 101628
(220) 2019 02 12
(731) MCCANN-ERICKSON MARKETING, INC.
622 Third Avenue, New York, NY 10017, USA
(740) Merab Kvimsadze
(540)

McCANN

(591) Black, white
(531) 27.05.01
(511) 9, 35, 42

(260) AM 2020 103309 A
(210) AM 103309
(220) 2020 01 21
(731) LTD "TRADE HOLDING"
Giorgi Leonidze St. 1, 0106, Tbilisi, Georgia
(540)



(591) Black, white
(531) 26.04.02; 26.04.22; 26.04.24; 27.05.01;
27.05.11; 27.05.22; 27.05.25; 28.19
(511) 36

(260) AM 2020 104086 A
(210) AM 104086
(220) 2019 07 15
(731) LTD "MY GE"
Sh. Nutsbidze St. 129a, fl. 4, 0186, Tbilisi,
Georgia
(740) Giorgi Ghvinjilia
(540)



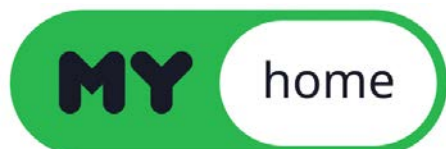
(591) Black, white

(531) 25.03.01; 25.03.03; 26.01.01; 26.01.03;
26.01.18
(511) 9, 35, 42

(260) AM 2020 104087 A
(210) AM 104087
(220) 2019 07 15
(731) LTD "MY GE"

Sh. Nutsubidze St. 129a, fl. 4, 0186, Tbilisi,
Georgia

(740) Giorgi Ghvinjilia
(540)



(591) Green, white, black
(531) 25.03.01; 25.03.03
(511) 9, 36, 37, 42

(260) AM 2020 104089 A
(210) AM 104089
(220) 2019 07 15
(731) XINYI AUTOMOBILE GLASS

(SHENZHEN) CO., LTD
228 Industrial Zone, Henggang Town,
Shenzhen, Guangdong, China

(740) Giorgi Kartvelishvili
(540)



(591) Black, white
(531) 01.01.04; 01.01.10; 01.11.08; 27.05.01;
27.05.17
(511) 12

(260) AM 2020 104091 A
(210) AM 104091
(220) 2019 07 16
(731) SWISS PHARMA INTERNATIONAL AG
Waldmannstrasse 8, 8001 Zurich, Switzerland
(740) Giorgi Taktakishvili
(540)

XYLOGEL

(591) Black, white
(511) 5

(260) AM 2020 104095 A
(210) AM 104095
(220) 2019 07 16
(731) LTD "ICR TRADE"

Digomi Training Testing Farm, fl. 5,
0131, Tbilisi, Georgia

(540)



(591) Black, white
(531) 26.04.02; 26.04.22; 26.04.24; 28.19
(511) 25, 35

(260) AM 2020 104096 A
(210) AM 104096
(220) 2019 07 16
(731) LTD "ICR TRADE"

Digomi Training Testing Farm, fl. 5,
0131, Tbilisi, Georgia

(540)



(591) Black, white
(531) 26.04.02; 26.04.22; 26.04.24; 27.05.24
(511) 25, 35

(260) AM 2020 104195 A
(210) AM 104195
(220) 2019 07 23
(731) LTD "PERVAK"
Pr-t Pobediteley, dom 141, pom. 66-9,
220062, Minsk, Belarus
(740) Giorgi Taktakishvili
(540)

KINTO

(591) Black, white
(511) 32

(260) AM 2020 104223 A
(210) AM 104223
(220) 2019 07 26
(731) LTD "Tbilisi Art Center"
Vazha-Pshavela Av. 71, block 4, fl. 4,
office 28, 0186, Tbilisi, Georgia
(540)

VAKTANG

(591) Black, white
(511) 16, 35, 41, 43

(260) AM 2020 104329 A
 (210) AM 104329
 (220) 2019 08 01
 (731) LTD "Georgian Wines House"
 Vill. Zegaani, 1500, Gurjaani district,
 Georgia
 (740) Sopio Bacheishvili
 (540)



(591) Dark red, red, black
 (531) 05.07.10; 27.05.01; 27.05.10; 28.19; 29.01.12
 (526) GEORGIA
 (511) 33

(260) AM 2020 104433 A
 (210) AM 104433
 (220) 2019 08 06
 (731) FMK AGRICALCHARAL KARIBE
 INDASTRIS, LTD.
 Clarendon House, 2 Church Street, HM11
 Hamilton, Bermuda
 (740) Tamaz Shilakadze
 (540)

CONTAVEX

(591) Black, white
 (511) 5

(260) AM 2020 104449 A
 (210) AM 104449
 (220) 2019 08 07
 (731) LTD "COHEN LAWYERS & CO"
 I. Chavchavadze St. 78/88, ap. 1-2, 6010,
 Batumi, Georgia
 (540)



(591) Black, orange
 (531) 26.01.01; 26.01.03; 27.05.10; 27.05.11; 28.11;
 29.01.12
 (511) 45

(260) AM 2020 104544 A
 (210) AM 104544
 (220) 2019 08 15
 (731) LTD "REDMED"
 Al. Kazbegi Av. 25, ap. 4, Tbilisi, Georgia
 (540)

რედაქი REDMED

(591) Red
 (531) 27.05.01; 28.19; 29.01.01
 (511) 9, 35, 38, 42, 44

(260) AM 2020 104545 A
 (210) AM 104545
 (220) 2019 08 15
 (731) JSC "GEPHA"
 Akaki Beliashvili St. 142, 0159, Tbilisi,
 Georgia
 (740) Salome Jeladze
 (540)

CILOSTA
ცილოსტა

(591) Black, white
 (511) 5

(260) AM 2020 104546 A
 (210) AM 104546
 (220) 2019 08 15
 (731) SIX CONTINENTS HOTELS, INC.
 3 Ravinia Draive, Atlanta, Jorjiis Shtati,
 30346, USA
 (740) Shalva Gvaramadze
 (540)

HOTEL
INDIGO

(591) Black, white
 (531) 27.05.01; 27.05.10
 (511) 43

(260) AM 2020 104547 A
 (210) AM 104547
 (220) 2019 08 15
 (731) SIX CONTINENTS HOTELS, INC.
 3 Ravinia Draive, Atlanta, Jorjiis Shtati,
 30346, USA
 (740) Shalva Gvaramadze
 (540)

HOTEL INDIGO

(591) Black, white
(511) 43

(260) AM 2020 104548 A
(210) AM 104548
(220) 2019 08 15
(731) SIX CONTINENTS HOTELS, INC.
3 Ravinia Drive, Atlanta, Georgia, Shtati,
30346, USA
(740) Shalva Gvaramadze
(540)



(591) Black, white
(531) 03.11.07; 27.05.01; 27.05.10
(511) 43

(260) AM 2020 104549 A
(210) AM 104549
(220) 2019 08 16
(731) LTD "BERIKA"
I. Chavchavadze Av., I Lane 6, ap. 80, 0128,
Tbilisi, Georgia
(540)

ქართული ბალადა
ГРУЗИНСКАЯ
БАЛЛАДА
GEORGIAN BALLAD

(591) Black, white
(511) 33

(260) AM 2020 104551 A
(210) AM 104551
(220) 2019 08 16
(731) LTD "BERIKA"
I. Chavchavadze Av., I Lane 6, ap. 80, 0128,
Tbilisi, Georgia
(540)

Амбри ambri
ამბრი

(591) Black, white
(511) 33

(260) AM 2020 104554 A
(210) AM 104554
(220) 2019 08 19
(731) LTD "KANTI"
Shandor Petefi St. 4, Tbilisi, Georgia

(540)

ფესვები
Pesvebi

(591) Black, white
(511) 32, 35

(260) AM 2020 104562 A
(210) AM 104562
(220) 2019 08 22
(731) FADER ALLIANCE LTD,
Of. 101, Regico Offices, The Old Bank,
153 the Parade high Street, Watford, WD
17 1 NA, United Kingdom
(740) Irma Kartoziya
(540)

ღირა

(591) Black, white
(511) 5, 44

(260) AM 2020 104564 A
(210) AM 104564
(220) 2019 08 22
(731) FADER ALLIANCE LTD,
Of. 101, Regico Offices, The Old Bank,
153 the Parade high Street, Watford, WD
17 1 NA, United Kingdom
(740) Irma Kartoziya
(540)

პარდუსი

(591) Black, white
(511) 5, 44

(260) AM 2020 104669 A
(210) AM 104669
(220) 2019 08 23
(731) Nika Abashidze
Vill Chala 13, VII Lane 3, Sachkhere district
Georgia
(540)



(591) ლურჯი, თეთრი
(531) 25.03.01; 25.03.03; 27.05.24; 29.01.12
(511) 35, 36, 37, 39

(260) AM 2020 104670 A
 (210) AM 104670
 (220) 2019 08 23
 (731) JANET LANKA (PVT) LTD
 15, Sinsapa Road, Colombo 6, Sri Lanka
 (740) Shalva Gvaramadze
 (540)



SPA CEYLON

(591) Black, white
 (531) 25.01.25; 26.04.01; 26.04.16; 27.05.01
 (511) 3

(260) AM 2020 104672 A
 (210) AM 104672
 (220) 2019 08 26
 (731) INTER IKEA SYSTEMS B.V.
 Olof Palmestraat 1, NL-2616 LN , Delft,
 2616 LN, Netherlands
 (740) Irakli Gvilia
 (540)



(591) Black, white
 (531) 26.01.02; 26.01.03; 26.01.20; 26.04.10;
 27.05.17
 (511) 11, 20, 21, 24, 27, 35

(260) AM 2020 104675 A
 (210) AM 104675
 (220) 2019 08 26
 (731) INTER IKEA SYSTEMS B.V.
 Olof Palmestraat 1, NL-2616 LN , Delft,
 2616 LN, Netherlands
 (740) Irakli Gvilia
 (540)



(591) Blue, yellow
 (531) 26.01.02; 26.01.20; 26.04.10; 27.05.17;
 29.01.12
 (511) 16, 20, 35, 43

(260) AM 2020 104743 A
 (210) AM 104743
 (220) 2019 08 30
 (731) Shenzhen Ouni Technology CO., LTD
 502, Jisheng Bldg. A1, No. 1049, Minzhi

Avenue, Xinniu Community, Minzhi St.,
 Longhua Dist., Shenzhen, Guangdong, China
 (740) Giorgi Meipariani
 (540)

ONIKUMA

(591) Black, white
 (511) 9

(260) AM 2020 104744 A
 (210) AM 104744
 (220) 2019 08 30
 (731) SHENZHEN OUNI TECHNOLOGY CO.,
 LTD.
 502, Jisheng Bldg. A1, No. 1049, Minzhi
 Avenue, Xinniu Community, Minzhi St.,
 Longhua Dist., Shenzhen, Guangdong, China
 (740) Giorgi Meipariani
 (540)



(591) Black, white
 (531) 04.03.19; 04.05.02; 04.05.12; 04.05.21
 (511) 9

(260) AM 2020 104751 A
 (210) AM 104751
 (220) 2019 09 03
 (731) PALL CORPORATION
 25 Harbor Park Drive Port Washington,
 New York, 11050, USA
 (740) Tamar Kochlamazashvili
 (540)



(591) Black, white
 (511) 6, 7, 9, 10, 11, 12, 37, 42

(260) AM 2020 104760 A
 (210) AM 104760
 (220) 2019 09 05
 (731) MERCK SHARP & DOHME CORP.
 One Merck Drive, Whitehouse Station,
 New Jersey 08889, USA
 (740) Tamaz Shilakadze
 (540)

RECARBRIO

(591) Black, white
 (511) 5

(260) AM 2020 104761 A
 (210) AM 104761
 (220) 2019 09 05
 (731) MERCK SHARP & DOHME CORP.
 One Merck Drive, Whitehouse Station,
 New Jersey 08889, USA
 (740) Tamaz Shilakadze
 (540)

PEXETINEM

(591) Black, white
 (511) 5

(260) AM 2020 104762 A
 (210) AM 104762
 (220) 2019 09 05
 (731) MERCK SHARP & DOHME CORP.
 One Merck Drive, Whitehouse Station,
 New Jersey 08889, USA
 (740) Tamaz Shilakadze
 (540)

PREVYMIS

(591) Black, white
 (511) 5

(260) AM 2020 104763 A
 (210) AM 104763
 (220) 2019 09 05
 (731) MERCK SHARP & DOHME CORP.
 One Merck Drive, Whitehouse Station,
 New Jersey 08889, USA
 (740) Tamaz Shilakadze
 (540)

ZEMVETIS

(591) Black, white
 (511) 5

(260) AM 2020 104767 A
 (210) AM 104767
 (220) 2019 09 05
 (731) LTD "TETRADA GEORGIA"
 Stanislavskiy St. 5, 0119, Tbilisi, Georgia
 (740) Giorgi Taktakishvili
 (540)

აზალონი

Azalon

Азалон

(591) Black, white
 (511) 5

(260) AM 2020 104768 A
 (210) AM 104768
 (220) 2019 09 05
 (731) LTD "TETRADA GEORGIA"
 Stanislavskiy St. 5, 0119, Tbilisi, Georgia
 (740) Giorgi Taktakishvili
 (540)

ტრიგესტა
 Trigesta
 Тригеста

(591) Black, white
 (511) 5

(260) AM 2020 104769 A
 (210) AM 104769
 (220) 2019 09 05
 (731) YIWU YIBIN TRADING COMPANY
 1st Floor, 40 Jiangdong Qiaodong Villa,
 Zhejiang Province, Yiwu City, China
 (740) Irakli Gvilia
 (540)

BBROSE
 C O L O R

(591) Black, white
 (531) 03.07.19; 03.07.21; 03.07.24; 26.01.15;
 26.01.16; 27.05.10; 27.05.11
 (511) 3

(260) AM 2020 104811 A
 (210) AM 104811
 (220) 2019 09 09
 (731) COPART, INC.
 14185 Dallas Parkway, Suite 300, Dallas,
 Texas, 75254, USA
 (740) Tamaz Shilakadze
 (540)

COPART

(591) Black, white
 (511) 35, 39, 41

(260) AM 2020 104815 A
 (210) AM 104815
 (220) 2019 09 10
 (731) LTD "BAUMA"
 Vazha-Pshavela Av. 76, ap. 46, 0186, Tbilisi,
 Georgia
 (740) Tamar Meladze

(540)

Bauma
ბაუმა
Баума

(591) Black, white
 (511) 8, 12

(260) AM 2020 104831 A
 (210) AM 104831
 (220) 2019 09 12
 (731) BERLIN-CHEMIE AG
 Glienicker Weg 125, Berlin, 12489, Germany
 (740) Giorgi Ghvinjilia
 (540)

НИМЕСИЛ

(591) Black, white
 (511) 5

(260) AM 2020 104833 A
 (210) AM 104833
 (220) 2019 09 12
 (731) BASF Agro B.V. Arnhem (NL),
 Zweigniederlassung Freienbach
 Huobstrasse 3, Pfäffikon SZ, Switzerland
 (740) Giorgi Taktakishvili
 (540)

BELANTY

(591) Black, white
 (511) 1, 5

(260) AM 2020 104903 A
 (210) AM 104903
 (220) 2019 09 16
 (731) LTD "KINGS Georgia"
 Mukhiani, IVA mkr., korp. 1, ap. 43,
 Tbilisi, Georgia
 (740) Tinatin Tskhvediani
 (540)



კონგსონ | KINGS

(591) Blue, yellow
 (531) 03.01.01; 24.09.11; 27.05.01; 28.19; 29.01.13
 (511) 16, 21, 25, 28, 35, 41, 43

(260) AM 2020 104904 A
 (210) AM 104904
 (220) 2019 09 16
 (731) LTD "SKA GROUP"
 S. Chikovani St. 9-11, korp. 2, ap. 42, 0171,
 Tbilisi, Georgia
 (740) Giorgi Miladze
 (540)



(591) Orange, white
 (531) 02.01.01; 02.01.16; 02.03.01; 02.03.02;
 02.09.25; 26.01.01; 27.05.23; 28.11; 29.01.12
 (511) 43

(260) AM 2020 104926 A
 (210) AM 104926
 (220) 2019 09 19
 (731) ORION KORPORATION
 Orionintie 1, 02200 Espoo, Finland
 (740) Tamaz Shilakadze
 (540)

REHYDROCOMBI

(591) Black, white
 (511) 3, 5

(260) AM 2020 104927 A
 (210) AM 104927
 (220) 2019 09 19
 (731) ORION KORPORATION
 Orionintie 1, 02200 Espoo, Finland
 (740) Tamaz Shilakadze
 (540)

РЕГИДРОКОМБИ

(591) Black, white
 (511) 3, 5

(260) AM 2020 104928 A
 (210) AM 104928
 (220) 2019 09 19
 (731) ORION KORPORATION
 Orionintie 1, 02200 Espoo, Finland
 (740) Tamaz Shilakadze
 (540)

REHYDROELECTROLYT

(591) Black, white
 (511) 3, 5

(260) AM 2020 104929 A
 (210) AM 104929
 (220) 2019 09 19
 (731) ORION KORPORATION
 Orionintie 1, 02200 Espoo, Finland
 (740) Tamaz Shilakadze
 (540)

РЕГИДРОЭЛЕКТРОЛИТ

(591) Black, white
 (511) 3, 5

(260) AM 2020 104934 A
 (210) AM 104934
 (220) 2019 09 19
 (731) SULEIMAN HARMAN
 Bulanjaq Ujarli St., Giresuni, Turkey
 (740) Maia Dosmishvili
 (540)

coreX

(591) White, sky-blue, blue
 (531) 26.11.09; 27.05.01; 29.01.12
 (511) 35

(260) AM 2020 105003 A
 (210) AM 105003
 (220) 2019 09 20
 (731) McDonald's International Property Company,
 Ltd., A corporation organized and existing
 under the laws of the State of Delaware
 110 N. Carpenter Street, Chicago, Illinois
 60607, USA
 (740) Shalva Gvaramadze
 (540)



(591) Red, white, yellow in different tones
 (531) 02.09.08; 04.05.04; 04.05.05; 04.05.21;
 10.03.10; 26.05.01; 26.05.14; 26.11.12;
 27.05.21; 29.01.12
 (511) 9, 28, 43

(260) AM 2020 105011 A
 (210) AM 105011
 (220) 2019 09 20
 (731) Georgian-German Reproductive Centre
 Shio Mgvimeli St. 5, ap. 13, Tbilisi, Georgia

(540)

GGRC

(591) Black, white
 (511) 44

(260) AM 2020 105012 A
 (210) AM 105012
 (220) 2019 09 20
 (731) Georgian-German Reproductive Center
 Shio Mghvimeli St. 5, ap. 13, Tbilisi, Georgia
 (540)



(591) Yellow, blue
 (531) 02.05.06; 02.05.23; 26.11.12; 29.01.12
 (511) 44

(260) AM 2020 105013 A
 (210) AM 105013
 (220) 2019 09 21
 (731) BIOSIDUS S.A.
 Constitución 4234, City of Buenos Aires,
 Argentina
 (740) Pavle Meipariani
 (540)

HEMAX

(591) Black, white
 (511) 5

(260) AM 2020 105016 A
 (210) AM 105016
 (220) 2019 09 23
 (731) PHILIP MORRIS BRANDS SÀRL
 Quai Jeanrenaud 3, 2000 Neuchâtel,
 Switzerland
 (740) Shalva Gvaramadze
 (540)

SUMMER SPLASH

(591) Black, white
 (511) 34

(260) AM 2020 105128 A
 (210) AM 105128
 (220) 2019 09 30
 (731) SAZERAC BRANDS, LLC
 10101 Linn Station Road, Suite 400,
 Louisville, Kentucky 40223, USA
 (740) Shalva Gvaramadze

(540)

BUFFALO TRACE

(591) Black, white
(511) 33

(260) AM 2020 105146 A

(210) AM 105146

(220) 2019 10 03

(310) 20190872

(320) 29 04 2019

(330) AM

(731) "INTERNATIONAL MASIS TABAK" LLC

10 Hrant Vardanyan St., 0802 Masis,

Ararat region, Armenia

(740) Giorgi Taktakishvili

(540)



(591) Red, black, twilight glossy black

(531) 06.01.04; 24.01.15; 25.01.01; 26.03.23;
27.05.10; 27.05.24; 29.01.13

(511) 34

(260) AM 2020 105147 A

(210) AM 105147

(220) 2019 10 03

(731) COLGATE-PALMOLIVE COMPANY

a Delaware corporation

300 Park Avenue, New York, New York

10022, USA

(740) Natela Otariidze

(540)

PALMOLIVE ОЧИЩЕНИЕ И ПЕРЕЗАГРУЗКА

(591) Black, white

(511) 3

(260) AM 2020 105148 A

(210) AM 105148

(220) 2019 10 03

(731) COLGATE-PALMOLIVE COMPANY

a Delaware corporation

300 Park Avenue, New York, New York

10022, USA

(740) Natela Otariidze

(540)



(591) Red, white, blue, gray

(531) 24.17.06; 24.17.09; 26.01.17; 26.11.12;
27.05.01; 29.01.13

(511) 3

(260) AM 2020 105149 A

(210) AM 105149

(220) 2019 10 03

(731) LTD "ZGHAPARI"

Chichinadze St. 17 (Market ZGHAPARI)

0186, Tbilisi, Georgia

(540)



(591) Red

(531) 26.01.12; 26.01.18; 28.19; 29.01.01; 29.01.12

(511) 35

REGISTERED TRADEMARKS

(111) M 2020 32473 R
 (151) 2020 03 20
 (181) 2030 03 20
 (260) AM 2019 101680 A
 (220) 2019 02 20

(732) LTD "Bolero & Company"
 Kuchishvili St. 12-14-16, 0179, Tbilisi,
 Georgia

(111) M 2020 32478 R
 (151) 2020 03 20
 (181) 2030 03 20
 (260) AM 2019 102037 A
 (220) 2019 03 04

(732) SPORT & FASHION MANAGEMENT
 PTE. LTD
 6 Shenton Vei, Oue Dauntaun 2, N18-11,
 Singapore, 068809, Singapore

(111) M 2020 32474 R
 (151) 2020 03 20
 (181) 2030 03 20
 (260) AM 2019 102029 A
 (220) 2019 03 03

(732) SPORT & FASHION MANAGEMENT
 PTE. LTD
 6 Shenton Vei, Oue Dauntaun 2, N18-11,
 Singapore, 068809, Singapore

(111) M 2020 32479 R
 (151) 2020 03 20
 (181) 2030 03 20
 (260) AM 2019 102058 A
 (220) 2019 03 06

(732) SPORT & FASHION MANAGEMENT
 PTE. LTD
 6 Shenton Vei, Oue Dauntaun 2, N18-11,
 Singapore, 068809, Singapore

(111) M 2020 32475 R
 (151) 2020 03 20
 (181) 2030 03 20
 (260) AM 2019 102030 A
 (220) 2019 03 03

(732) SPORT & FASHION MANAGEMENT
 PTE. LTD
 6 Shenton Vei, Oue Dauntaun 2, N18-11,
 Singapore, 068809, Singapore

(111) M 2020 32480 R
 (151) 2020 03 20
 (181) 2030 03 20
 (260) AM 2019 102059 A
 (220) 2019 03 06

(732) SPORT & FASHION MANAGEMENT
 PTE. LTD
 6 Shenton Vei, Oue Dauntaun 2, N18-11,
 Singapore, 068809, Singapore

(111) M 2020 32476 R
 (151) 2020 03 20
 (181) 2030 03 20
 (260) AM 2019 102032 A
 (220) 2019 03 04

(732) SPORT & FASHION MANAGEMENT
 PTE. LTD
 6 Shenton Vei, Oue Dauntaun 2, N18-11,
 Singapore, 068809, Singapore

(111) M 2020 32481 R
 (151) 2020 03 20
 (181) 2030 03 20
 (260) AM 2019 102060 A
 (220) 2019 03 06

(732) SPORT & FASHION MANAGEMENT
 PTE. LTD
 6 Shenton Vei, Oue Dauntaun 2, N18-11,
 Singapore, 068809, Singapore

(111) M 2020 32477 R
 (151) 2020 03 20
 (181) 2030 03 20
 (260) AM 2019 102034 A
 (220) 2019 03 04

(732) SPORT & FASHION MANAGEMENT
 PTE. LTD
 6 Shenton Vei, Oue Dauntaun 2, N18-11,
 Singapore, 068809, Singapore

(111) M 2020 32482 R
 (151) 2020 03 20
 (181) 2030 03 20
 (260) AM 2019 102166 A
 (220) 2019 03 14

(732) LLC "R Sports"
 Sh. Rustaveli Av. 148, 4600, Kutaisi, Georgia

(111) M 2020 32483 R
 (151) 2020 03 20
 (181) 2030 03 20

(260) AM 2019 102236 A
(220) 2019 03 15
(732) SPORT & FASHION MANAGEMENT
PTE. LTD
6 Shenton Vei, Oue Dauntaun 2, N18-11,
Singapore, 068809, Singapore

(111) M 2020 32484 R
(151) 2020 03 20
(181) 2030 03 20
(260) AM 2019 102237 A
(220) 2019 03 15
(732) SPORT & FASHION MANAGEMENT
PTE. LTD
6 Shenton Vei, Oue Dauntaun 2, N18-11,
Singapore, 068809, Singapore

(111) M 2020 32485 R
(151) 2020 03 20
(181) 2030 03 20
(260) AM 2019 102239 A
(220) 2019 03 15
(732) SPORT & FASHION MANAGEMENT
PTE. LTD
6 Shenton Vei, Oue Dauntaun 2, N18-11,
Singapore, 068809, Singapore

(111) M 2020 32486 R
(151) 2020 03 20
(181) 2030 03 20
(260) AM 2019 102259 A
(220) 2019 03 20
(732) CHINA TOBACCO HUNAN INDUSTRIAL
CO., LTD
NO.188 SECTION 3, ANJIALI MIDDLE RD
CHANGSHA HUNAN CHINA

(111) M 2020 32487 R
(151) 2020 03 20
(181) 2030 03 20
(260) AM 2019 102347 A
(220) 2019 03 22
(732) SHANGHAI YUNDA EXPRESS CO., LTD
No.3728, JIASONG MIDDLE ROAD,
HUAXIN TOWN, QINGPU DISTRICT,
SHANGHAI, China

(111) M 2020 32488 R
(151) 2020 03 20
(181) 2030 03 20
(260) AM 2019 102360 A
(220) 2019 03 24
(732) OBA RETAIL CHAIN MMC

AZ5001, Sumqayit seheri, 9 mkr,
ev 25C, Baku, Azerbaijan

(111) M 2020 32489 R
(151) 2020 03 20
(181) 2030 03 20
(260) AM 2019 102361 A
(220) 2019 03 24
(732) OBA RETAIL CHAIN MMC
AZ5001, Sumqayit seheri, 9 mkr,
ev 25C, Baku, Azerbaijan

(111) M 2020 32490 R
(151) 2020 03 20
(181) 2030 03 20
(260) AM 2019 102401 A
(220) 2019 03 28
(732) PAX Labs Inc.
660 Alabama Street, 2nd Floor, San
Francisco, California, 94110, USA

(111) M 2020 32491 R
(151) 2020 03 20
(181) 2030 03 20
(260) AM 2019 102540 A
(220) 2019 04 08
(732) LTD "e-space"
Kazbegi St. 3-5, Tbilisi, Georgia

(111) M 2020 32492 R
(151) 2020 03 20
(181) 2030 03 20
(260) AM 2019 102707 A
(220) 2019 04 12
(732) LLC "LALE"
Vazha-Pshavela Av. 41, fl. 4, 0177,
Tbilisi, Georgia

(111) M 2020 32493 R
(151) 2020 03 20
(181) 2030 03 20
(260) AM 2019 102712 A
(220) 2019 04 12
(732) Changhong Meiling Company Limited
2163 Hao, Lianhualu Economic-Technological
Development Area, Hefeishi Anhui
230000, Chin

(111) M 2020 32494 R
(151) 2020 03 20
(181) 2030 03 20
(260) AM 2019 102717 A
(220) 2019 04 15

(732) LTD "Tural Group" Guramishvili St. Ozurgeti, Georgia	(111) M 2020 32500 R (151) 2020 03 20 (181) 2030 03 20 (260) AM 2019 103122 A (220) 2019 05 16 (732) LTD "KARTVELI" Kakheti Highway 110a, Isani-Samgori District, 0151, Tbilisi, Georgia
(111) M 2020 32495 R (151) 2020 03 20 (181) 2030 03 20 (260) AM 2019 102729 A (220) 2019 04 17 (732) LTD "BEDEGI" Brothers Slovinskiy St. 6, Tbilisi, Georgia	(111) M 2020 32501 R (151) 2020 03 20 (181) 2030 03 20 (260) AM 2019 99069 A (220) 2019 05 03 (732) LTD "Georgian Post" Station Square 2, 0100, Tbilisi, Georgia
(111) M 2020 32496 R (151) 2020 03 20 (181) 2030 03 20 (260) AM 2019 102916 A (220) 2019 04 30 (732) Reign Beverage Company LLC 1547 N. Knowles Ave., Los Angeles, California 90063, USA	(111) M 2020 32502 R (151) 2020 03 20 (181) 2030 03 20 (260) AM 2019 99884 A (220) 2019 03 29 (732) LTD "IDS BORJOMI BEVERAGE COMPANY" Tori St. 39, 1200, Borjomi, Georgia
(111) M 2020 32497 R (151) 2020 03 20 (181) 2030 03 20 (260) AM 2019 102920 A (220) 2019 04 30 (732) ANKER INNOVATIONS TECHNOLOGY CO., LTD. Room 701, 7F building 7, 1st phase of Headquarters Building of Changsha Zhongdian Software Park Co., Ltd, No.39 Jianshan Road, Changsha National Hightech Industrial Development Zone, Changsha, China	(111) M 2020 32503 R (151) 2020 03 20 (181) 2030 03 20 (260) AM 2019 99885 A (220) 2019 03 29 (732) LTD "IDS BORJOMI BEVERAGE COMPANY" Tori St. 39, 1200, Borjomi, Georgia
(111) M 2020 32498 R (151) 2020 03 20 (181) 2030 03 20 (260) AM 2019 103027 A (220) 2019 05 08 (732) HARD ROCK LIMITED 13-14 Esplanada, Sent-helieri, Jerzi JE1 1EE Channel Islands, United Kingdom	(111) M 2020 32504 R (151) 2020 03 20 (181) 2030 03 20 (260) AM 2019 99886 A (220) 2019 03 29 (732) LTD "IDS BORJOMI BEVERAGE COMPANY" Tori St. 39, 1200, Borjomi, Georgia
(111) M 2020 32499 R (151) 2020 03 20 (181) 2030 03 20 (260) AM 2019 103029 A (220) 2019 05 08 (732) HARD ROCK LIMITED 13-14 Esplanada, Sent-helieri, Jerzi JE1 1EE Channel Islands, United Kingdom	(111) M 2020 32517 R (151) 2020 03 27 (181) 2030 03 27 (260) AM 2019 101228 A (220) 2019 01 11 (732) NINO KIRTSKHALIA R. Japaridze St. 9, 0179, Tbilisi, Georgia

(111) M 2020 32518 R
(151) 2020 03 27
(181) 2030 03 27
(260) AM 2019 101229 A
(220) 2019 01 11
(732) NINO KIRTSKHALIA
R. Japaridze St. 9, 0179, Tbilisi, Georgia

(111) M 2020 32519 R
(151) 2020 03 27
(181) 2030 03 27
(260) AM 2019 101663 A
(220) 2019 02 16
(732) Obshchestvo S Ogranichennoi
Otvetstvennostiu "IUNISET-M"
Ul. Iskri d. 31, St. 5, Moscow, 129344,
Russian Federation

(111) M 2020 32520 R
(151) 2020 03 27
(181) 2030 03 27
(260) AM 2019 101664 A
(220) 2019 02 16
(732) Obshchestvo S Ogranichennoi
Otvetstvennostiu "IUNISET-M"
Ul. Iskri d. 31, St. 5, Moscow, 129344,
Russian Federation

(111) M 2020 32521 R
(151) 2020 03 27
(181) 2030 03 27
(260) AM 2019 101690 A
(220) 2019 02 20
(732) Jadran-Galenski Laboratorij D.D.
Svilno 20, 51000 Rijeka, Croatia

(111) M 2020 32522 R
(151) 2020 03 27
(181) 2030 03 27
(260) AM 2019 101691 A
(220) 2019 02 20
(732) Jadran-Galenski Laboratorij D.D.
Svilno 20, 51000 Rijeka, Croatia

(111) M 2020 32523 R
(151) 2020 03 27
(181) 2030 03 27
(260) AM 2019 102265 A
(220) 2019 03 21
(732) SAILUN GROUP CO., LTD.
No.588, Maoshan Road, Huangdao District,
Qingdao City, Shandong, 266045, China

(111) M 2020 32524 R
(151) 2020 03 27
(181) 2030 03 27
(260) AM 2019 102266 A
(220) 2019 03 21
(732) SAILUN GROUP CO., LTD.
No.588, Maoshan Road, Huangdao District,
Qingdao City, Shandong, 266045, China

(111) M 2020 32525 R
(151) 2020 03 27
(181) 2030 03 27
(260) AM 2019 102267 A
(220) 2019 03 21
(732) SAILUN GROUP CO., LTD.
No.588, Maoshan Road, Huangdao District,
Qingdao City, Shandong, 266045, China

(111) M 2020 32526 R
(151) 2020 03 27
(181) 2030 03 27
(260) AM 2019 102389 A
(220) 2019 03 27
(732) LLC "Aspharma Georgia
Pharmaceutical Company"
Mtskheta St. 8, Tbilisi, Georgia

(111) M 2020 32527 R
(151) 2020 03 27
(181) 2030 03 27
(260) AM 2019 102391 A
(220) 2019 03 27
(732) LLC "Aspharma Georgia
Pharmaceutical Company"
Mtskheta St. 8, Tbilisi, Georgia

(111) M 2020 32528 R
(151) 2020 03 27
(181) 2030 03 27
(260) AM 2019 102392 A
(220) 2019 03 27
(732) LLC "Aspharma Georgia
Pharmaceutical Company"
Mtskheta St. 8, Tbilisi, Georgia

(111) M 2020 32529 R
(151) 2020 03 27
(181) 2030 03 27
(260) AM 2019 102393 A
(220) 2019 03 27
(732) LLC "Aspharma Georgia
Pharmaceutical Company"
Mtskheta St. 8, Tbilisi, Georgia

(111) M 2020 32530 R
(151) 2020 03 27
(181) 2030 03 27
(260) AM 2019 102720 A
(220) 2019 04 15
(732) LLC "Agroconsortium Tserovani"
Village Tserovani, 3300, Mtskheta,
Georgia

(111) M 2020 32536 R
(151) 2020 03 27
(181) 2030 03 27
(260) AM 2019 102828 A
(220) 2019 04 24
(732) TY INC.
280 Chestnut Avenue, Westmont, Illinois
60559, USA

(111) M 2020 32531 R
(151) 2020 03 27
(181) 2030 03 27
(260) AM 2019 102735 A
(220) 2019 04 18
(732) JSC "GEPHA"
Akaki Beliashvili St. 142, 0159, Tbilisi,
Georgia

(111) M 2020 32537 R
(151) 2020 03 27
(181) 2030 03 27
(260) AM 2019 102921 A
(220) 2019 04 30
(732) DIAGEO SCOTLAND LIMITED
Edinburg Park, 5 Lokhsaid Vei, Shotlandia,
Edinburgh, EH12 9DT, United Kingdom

(111) M 2020 32532 R
(151) 2020 03 27
(181) 2030 03 27
(260) AM 2019 102737 A
(220) 2019 04 19
(732) JSC "GEPHA"
Akaki Beliashvili St. 142, 0159, Tbilisi,
Georgia

(111) M 2020 32538 R
(151) 2020 03 27
(181) 2030 03 27
(260) AM 2019 103105 A
(220) 2019 05 14
(732) JSC "GEPHA"
Akaki Beliashvili St. 142, 0159, Tbilisi,
Georgia

(111) M 2020 32533 R
(151) 2020 03 27
(181) 2030 03 27
(260) AM 2019 102810 A
(220) 2019 04 19
(732) JSC "GEPHA"
Akaki Beliashvili St. 142, 0159, Tbilisi,
Georgia

(111) M 2020 32539 R
(151) 2020 03 27
(181) 2030 03 27
(260) AM 2019 103106 A
(220) 2019 05 14
(732) JSC "GEPHA"
Akaki Beliashvili St. 142, 0159, Tbilisi,
Georgia

(111) M 2020 32534 R
(151) 2020 03 27
(181) 2030 03 27
(260) AM 2019 102817 A
(220) 2019 04 22
(732) LTD "TBS LEASING"
Il. Chavchavadze Av. 76M, Vake-Saburtalo
District, Tbilisi, Georgia

(111) M 2020 32540 R
(151) 2020 03 27
(181) 2030 03 27
(260) AM 2019 103310 A
(220) 2019 05 28
(732) ASTRAZENECA AB
SE-151 85 Södertälje, Sweden

(111) M 2020 32535 R
(151) 2020 03 27
(181) 2030 03 27
(260) AM 2019 102827 A
(220) 2019 04 24
(732) TY INC.
280 Chestnut Avenue, Westmont, Illinois
60559, USA

(111) M 2020 32541 R
(151) 2020 03 27
(181) 2030 03 27
(260) AM 2019 103465 A
(220) 2019 06 04
(732) Sport&Fashion Management PTE. LTD
6 Shenton Vei, №18-11, Oue Dauntaun 2,
068809, Singapore

(111) M 2020 32542 R
(151) 2020 03 27
(181) 2030 03 27
(260) AM 2019 103466 A
(220) 2019 06 04
(732) Sport&Fashion Management PTE. LTD
6 Shenton Vei, №18-11, Oue Dauntaun 2,
068809, Singapore

(111) M 2020 32543 R
(151) 2020 03 27
(181) 2030 03 27
(260) AM 2019 103467 A
(220) 2019 06 04
(732) Sport&Fashion Management PTE. LTD
6 Shenton Vei, №18-11, Oue Dauntaun 2,
068809, Singapore

(111) M 2020 32544 R
(151) 2020 03 27
(181) 2030 03 27
(260) AM 2019 103665 A
(220) 2019 06 17
(732) Irakli Kirtskhalia
R. Japaridze St. 9, 0179, Tbilisi, Georgia

TRADEMARKS REGISTERED ACCORDING TO THE ACCELERATED PROCEDURE

The decision can be appealed at the Chamber of Appeal of Sakpatenti within 3 months from the publication.

(111) M 2020 32505 R

(151) 2020 03 23

(181) 2030 03 23

(210) AM 107488

(220) 2020 03 12

(732) Ana Dolidze

Niabi St., I lane 37, Tbilisi, Georgia

(540)



(591) Blue, orange, white

(531) 24.07.01; 24.07.13; 24.17.04; 25.05.02;
26.04.05; 28.19; 29.01.12

(511) 35

(111) M 2020 32506 R

(151) 2020 03 23

(181) 2030 03 23

(210) AM 107566

(220) 2020 03 17

(732) JAPAN TOBACCO INC.

2-2-1 Toranomom Minato-ku, Tokyo, Japan

(740) Shalva Gvaramadze

(540)

CAMEL PREMIUM TOBACCOS

(591) Black, white

(511) 34

(111) M 2020 32507 R

(151) 2020 03 24

(181) 2030 03 24

(210) AM 107555

(220) 2020 03 14

(732) Sergej Mori

I. Chavchavadze Av. 37, ap. 96, Tbilisi,
Georgia

(740) Nino Bakhtadze

(540)



(591) Black, golden

(531) 25.01.19; 26.04.18; 26.04.22; 26.04.24;
27.05.04; 27.05.21; 27.05.24; 29.01.12

(511) 34

(111) M 2020 32508 R

(151) 2020 03 24

(181) 2030 03 24

(210) AM 107590

(220) 2020 03 19

(732) JAPAN TOBACCO INC.

2-2-1 Toranomom Minato-ku, Tokio, Japan

(740) Shalva Gvaramadze

(540)

WINSTON RED

(591) Black, white

(511) 34

(111) M 2020 32509 R

(151) 2020 03 25

(181) 2030 03 25

(210) AM 107455

(220) 2020 03 06

(732) LTD "Lazeti Tobako"

Tamar Mepe St. 3, Zugdidi, Georgia

(540)



(591) Blue, white

(531) 26.04.18; 26.04.24; 27.05.22; 29.01.12

(526) lazetti

(511) 34, 35

(111) M 2020 32510 R
 (151) 2020 03 25
 (181) 2030 03 25
 (210) AM 107559
 (220) 2020 03 16
 (732) HUALING-BUILDING MATERIALS
 HYPERMARKET LLC
 Jumber Lezhava St. 22, 0162, Tbilisi, Georgia
 (540)

მიხაუსი MIHOUSE

(591) Orange
 (531) 01.01.02; 01.01.10; 05.05.20; 05.05.21; 28.19;
 29.01.01
 (511) 35

(111) M 2020 32511 R
 (151) 2020 03 25
 (181) 2030 03 25
 (210) AM 107560
 (220) 2020 03 16
 (732) HUALING-BUILDING MATERIALS
 HYPERMARKET LLC
 Jumber Lezhava St. 22, 0162, Tbilisi, Georgia
 (540)

**მეტი ინოვაცია შენი
 სახლისთვის**

(591) Black, white
 (511) 35

(111) M 2020 32512 R
 (151) 2020 03 26
 (181) 2030 03 26
 (210) AM 107557
 (220) 2020 03 16
 (732) Shovgi Aivazov
 Vill. Kirach-Mughanlo, Marneuli, Georgia
 (540)



(591) Yellow, white, sky-blue
 (531) 01.01.02; 01.01.10; 01.07.06; 27.05.02;
 27.05.17; 27.05.22; 27.05.24; 29.01.13
 (511) 5

(111) M 2020 32513 R
 (151) 2020 03 27
 (181) 2030 03 27
 (210) AM 107163
 (220) 2020 02 18
 (732) LTD "Georgian Hotels Management"
 Al. Kazbegi Av. 15, building "D", fl. 5,
 Tbilisi, Georgia
 (740) Nicholas Jalaghania
 (540)

ქორდალ

(591) Black, white
 (511) 35, 36, 39, 41, 43

(111) M 2020 32514 R
 (151) 2020 03 27
 (181) 2030 03 27
 (210) AM 107164
 (220) 2020 02 18
 (732) LTD "Georgian Hotels Management"
 Al. Kazbegi Av. 15, building "D", fl. 5,
 Tbilisi, Georgia
 (740) Nicholas Jalaghania
 (540)

Coredeal

(591) Black, white
 (511) 35, 36, 39, 41, 43

(111) M 2020 32515 R
 (151) 2020 03 27
 (181) 2030 03 27
 (210) AM 107582
 (220) 2020 03 18
 (732) LTD "DOMSON"
 Pekini Av., II kvart., korp. 7, ap. 58,
 Tbilisi, Georgia
 (740) Rusudan Chkhikvishvili
 (540)

**Domson
 დომსონ**

(591) Black, white
 (511) 37

(111) M 2020 32516 R
 (151) 2020 03 27
 (181) 2030 03 27
 (210) AM 106593
 (220) 2020 01 11
 (732) LTD "ALAZANI WINERY"
 D. Tavdadebuli St. 3, 4800, Kvareli, Georgia
 (740) Giorgi Kartvelishvili

(540)



(591) Black, golden
 (531) 19.07.01; 19.07.16; 27.05.22; 27.05.24;
 29.01.13
 (511) 33

(111) M 2020 32545 R
 (151) 2020 03 27
 (181) 2030 03 27
 (210) AM 107485
 (220) 2020 03 11
 (732) LTD "GLOBAL BEER GEORGIA"
 Vill. Tsilkani, 3319, Mtskheta, Georgia
 (540)

ყაზბეგი

(591) Black, white
 (511) 32

(111) M 2020 32546 R
 (151) 2020 03 27
 (181) 2030 03 27
 (210) AM 107489
 (220) 2020 03 12
 (732) LTD "GLOBAL BEER GEORGIA"
 Vill. Tsilkani, 3319, Mtskheta, Georgia
 (540)

KAZBEGI

(591) Black, white
 (511) 32

(111) M 2020 32547 R
 (151) 2020 03 31
 (181) 2030 03 31
 (210) AM 105559
 (220) 2019 10 29
 (732) LTD "SEA PRODUCTS"
 Larnaca St., 4400, Poti, Georgia
 (740) Khatuna Imnadze
 (540)

MARLIN
მარლინი

(591) Black, white
 (511) 31

(111) M 2020 32548 R
 (151) 2020 03 31
 (181) 2030 03 31
 (210) AM 107655
 (220) 2020 03 25
 (732) Giorgi Gogeshvili
 K. Gamsakhurdia St. 19, Batumi, Georgia
 (540)



ნანო მასკ

(591) Black
 (531) 27.05.01; 27.05.22
 (511) 25

INTERNATIONAL TRADEMARKS FOR WHICH A DECISION ON GRANTING PROTECTIONS IS TAKEN

The decision can be appealed at the Chamber of Appeal of Sakpatenti within 3 months from the publication or at the Mtskheta District Court Administrative Cases Board (Address: №17, Samkhedro str., Mtskheta), within 1 month following the publication.

(260) AM 2020 100708 A*

(800) 1437399

(151) 2018 09 20

(891) 2018 09 20

(731) KMG International N.V.

Strawinskyiaan 807, Tower A-8, NL-1077

XX Amsterdam, Netherlands

(540)



(591) Black, white

(531) 05.03.11; 05.03.13; 05.03.14; 27.05.07;

27.05.07; 27.05.08

(511)

1 – Benzene; benzol.

4 – Industrial oils and greases; lubricants; dust absorbing, wetting and binding compositions; fuels (including motor spirit) and illuminants; additives, non-chemical, to motor-fuel; electrical energy; energy (electrical -); motor fuel (additives, non-chemical, to -).

31 – Agricultural, horticultural and forestry products and grains not included in other classes; live animals; fresh fruits and vegetables; seeds, natural plants and flowers; foodstuffs for animals, malt.

33 – Alcoholic beverages (except beers).

34 – Tobacco; smokers' articles; matches.

35 – Advertising; business management; business administration; office functions; retail services in the field of fuels; advertising space (rental of -); advice for consumers (commercial information and -) [consumer advice shop]; commercial information and advice for consumers [consumer advice shop]; communication media (presentation of goods on -), for retail purposes; comparison services (price -); consumers (commercial information and advice for -) [consumer advice shop]; exhibitions (organization of -) for commercial or advertising purposes; presentation of goods on communication media, for retail purposes; public relations; rental of advertising space.

43 – Services for providing food and drink; temporary accommodation.

(260) AM 2020 102617 A

(800) 1460043

(151) 2018 12 21

(891) 2018 12 21

(731) ASTELLAS PHARMA INC.

5-1, Nihonbashi-Honcho 2-chome, Chuo-ku,

Tokyo 103-8411, Japan

(540)



(591) Blue and light blue

(531) 26.01.01; 26.01.04; 26.07.04; 26.11.03;

26.11.06; 26.11.08; 26.11.10; 29.01.12

(511)

5 – Pharmaceutical preparations, namely antifungals.

(260) AM 2020 102802 A

(800) 1265605

(151) 2014 10 29

(891) 2019 03 21

(731) TUI AG

Karl-Wiechert-Allee 4, 30625 Hannover,

Germany

(540)

Blue

(591) Black, white

(511)

39 – Transport; packaging and storage of goods; transport of persons and goods, in particular by road, rail, sea and air; river transport; porter services; transport of money and valuables; transportation logistics; travel organization, booking and arrangement of travel, excursions and cruises; arrangement of transport services; rental of diving suits; organization, booking and arrangement of excursions, day trips and sightseeing tours; sightseeing [tourism]; travel, consultancy and escorting of travellers; rental,

booking and providing of aircraft; rental, booking and providing of ships, in particular rowing and motor boats, sailing vessels and canoes; rental, booking and providing of motor vehicles, bicycles and horses; parcel delivery; organization of trips, holidays and sightseeing tours; travel agency services (included in this class), in particular consultancy and booking services for travel, providing information about travel, arrangement of transport services and travel; travel reservation; transport reservation; information about travel on the Internet, in particular about reservation and booking in the tourism and business travel sector (online travel agencies); delivery, dispatching and distribution of newspapers and magazines; consultation provided by telephone call centres and hotlines regarding travels, including business travel and in the field of transport logistics, transport and storage; transport services, namely tracking of passenger or freight vehicles using computers or global-positioning system (GPS); traffic information.

41 – Education and further training, education information; teaching, in particular distance teaching and language teaching; entertainment; film production, other than advertising films; videotape film production; DVD and CD-ROM film production; production of radio and television programs; rental of films and videos, presentation of films and videos; theatrical booking agencies; modelling for artists (entertainment); musical performances; circus performances; public entertainment; theatrical performances; arranging and conducting of concerts; ticket agency services (entertainment); organization and providing of an after school children's entertainment centre featuring educational entertainment; entertainment services, namely holiday camp services; arranging and conducting of teaching in the field of sports and languages; health club services (health and fitness training), providing training clubs and fitness clubs, golf courses, tennis courts, riding facilities, nursery schools (education, entertainment), cinema theatre facilities, discotheques, museum [presentation, exhibitions], amusement arcades, sports camps and sports facilities, amusement parks; rental of skin diving equipment; organization of sports competitions; organization and arrangement of cultural and sporting events; reservation services (included in this class) for sporting, scientific and cultural events; game services provided on-line from a computer network; rental of recorded data carriers (films, music, games), projector apparatus and the accessories thereof (included in this class); rental of newspapers and magazines; writing of texts, other than publicity texts; publication of printed matter (also in form of electronic media including CD-ROMs), other than publicity texts, in particular of books, magazines, newspapers; publication of printed matter in electronic form, except for publicity purposes, in particular magazines and newspapers, including in the Internet;

issuing of texts, other than publicity texts, in particular of books, magazines and newspapers, including in the Internet; organization of exhibitions for cultural and teaching purposes; entertainment and education services provided by recreation and amusement parks; services of an interpreter and of a translator; photography; radio entertainment, television entertainment; consultation provided by telephone call centres and hotlines in the field of education, training and further training and entertainment; consultation provided by telephone call centres and hotlines in the field of reservation services for sporting, scientific and cultural events; information about entertainment events provided via online networks and Internet.

43 – Providing temporary accommodation; providing of food and drinks for guests; accommodation bureau services; providing and rental of holiday homes, holiday flats and apartments; providing room reservation and hotel reservation services; providing hotel and motel services; catering; services of boarding houses; rental of meeting rooms; bar services; providing of food and drinks for guests in restaurants; providing food and drinks in Internet cafés; consultation provided by telephone call centres and hotlines in the field of temporary room and board accommodation services, providing and rental of holiday homes, other accommodation services and hotel reservation as well as accommodation and catering for guests.

(260) AM 2020 102853 A

(800) 1462474

(151) 2018 10 12

(891) 2018 10 12

(731) NETAŞ TELEKOMÜNİKASYON ANONİM ŞİRKETİ

Kurtköy, Yenişehir Mahallesi, Osmanlı Bulvarı, Esas Aeropark Binası, No:11, İstanbul, Turkey

(540)



(591) Black, white

(531) 27.05.17; 29.01.04

(511)

9 – magnifying glasses, binoculars, stills, ovens and furnaces for laboratory experiments; clothing for protection against accidents, irradiation and fire, safety vests and life-saving apparatus and equipment; eyeglasses, sunglasses, optical lenses and cases, containers, parts and components thereof; electric plugs, junction boxes [electricity], electric switches, circuit breakers, fuses, lighting ballasts, battery starter cables, electrical circuit boards, electric resistances, electric sockets, transformers [electricity], electrical

adapters, battery chargers, electric door bells, electric bells, electric and electronic cables, batteries, electric accumulators; solar panels for production of electricity; luminous or mechanical signs for traffic use; fire extinguishing apparatus, fire engines, fire hose and fire hose nozzles; sonars, night vision apparatus and instruments; decorative magnets; covers for cell phones.

35 – Advertising, marketing and public relations; organization of exhibitions and trade fairs for commercial or advertising purposes; design of advertising materials; provision of an online marketplace for buyers and sellers of goods and services; office functions; secretarial services; arranging newspaper subscriptions for others; compilation of statistics; rental of office machines; systemization of information into computer databases; telephone answering for unavailable subscribers; the bringing together, for the benefit of others, of a variety of goods, namely, measurement apparatus and equipment including those for scientific, nautical, topographic, meteorologic, industrial and laboratory purposes, thermometers, not for medical purposes, barometers, ammeters, voltmeters, hygrometers, testing apparatus not for medical purposes, telescopes, periscopes, directional compasses, speed indicators, laboratory apparatus, microscopes, magnifying glasses, binoculars, stills, ovens and furnaces for laboratory experiments, apparatus for recording, transmission or reproduction of sound or images, cameras, photographic cameras, television apparatus, video recorders, CD and DVD players and recorders, MP3 players, computers, desktop computers, tablet computers, wearable activity trackers, microphones, loudspeakers, earphones, telecommunications apparatus, apparatus for the reproduction of sound or images, computer peripheral devices, cell phones, covers for cell phones, telephone apparatus, computer printers, scanners [data processing equipment], photocopiers, magnetic and optical data carriers and computer software and programmes recorded thereto, downloadable and recordable electronic publications, encoded magnetic and optic cards, prerecorded motion picture films, prerecorded music videos, antennas, satellite antennas, amplifiers for antennas, parts of the aforementioned goods, ticket dispensers, automatic teller machines (ATM), electronic components used in the electronic parts of machines and apparatus, semi-conductors, electronic circuits, integrated circuits, chips [integrated circuits], diodes, transistors [electronic], magnetic heads for electronic apparatus, electronic locks, photocells, remote control apparatus for opening and closing doors, optical sensors, counters and quantity indicators for measuring the quantity of consumption, automatic time switches, clothing for protection against accidents, irradiation and fire, safety vests and life-saving apparatus and equipment, eyeglasses, sunglasses, optical

lenses and cases, containers, parts and components thereof, apparatus and instruments for conducting, transforming, accumulating or controlling electricity, electric plugs, junction boxes [electricity], electric switches, circuit breakers, fuses, lighting ballasts, battery starter cables, electrical circuit boards, electric resistances, electric sockets, transformers [electricity], electrical adapters, battery chargers, electric door bells, electric and electronic cables, batteries, electric accumulators, solar panels for production of electricity, alarms and anti-theft alarms, other than for vehicles, electric bells, signalling apparatus and instruments, luminous or mechanical signs for traffic use, fire extinguishing apparatus, fire engines, fire hose and fire hose nozzles, radar apparatus, sonars, night vision apparatus and instruments, decorative magnets, metronomes, enabling customers to conveniently view and purchase those goods, such services may be provided by retail stores, wholesale outlets, by means of electronic media or through mail order catalogues.

38 – Radio and television broadcasting services; telecommunication services; providing access to the internet; news agencies.

(260) AM 2020 102884 A

(800) 1463167

(151) 2018 10 12

(891) 2018 10 12

(731) NETAŞ TELEKOMÜNİKASYON ANONİM ŞİRKETİ

Kurtköy, Yenişehir Mahallesi, Osmanlı Bulvarı, Esas Aeropark Binası, No:11, İstanbul, Turkey

(540)

NETAS

(591) Black, white

(511)

9 – magnifying glasses, binoculars, stills, ovens and furnaces for laboratory experiments; clothing for protection against accidents, irradiation and fire, safety vests and life-saving apparatus and equipment; eyeglasses, sunglasses, optical lenses and cases, containers, parts and components thereof; electric plugs, junction boxes [electricity], electric switches, circuit breakers, fuses, lighting ballasts, battery starter cables, electrical circuit boards, electric resistances, electric sockets, transformers [electricity], electrical adapters, battery chargers, electric door bells, electric bells, electric and electronic cables, batteries, electric accumulators; solar panels for production of electricity; luminous or mechanical signs for traffic use; fire extinguishing apparatus, fire engines, fire hose and fire hose nozzles; sonars, night vision apparatus and instruments; decorative magnets; covers for cell phones.

35 – Advertising, marketing and public relations; organization of exhibitions and trade fairs for commercial or advertising purposes; design of advertising materials; provision of an online marketplace for buyers and sellers of goods and services; office functions; secretarial services; arranging newspaper subscriptions for others; compilation of statistics; rental of office machines; systemization of information into computer databases; telephone answering for unavailable subscribers; business management, business administration and business consultancy; accounting; commercial consultancy services; personnel recruitment, personnel placement, employment agencies, import-export agencies; temporary personnel placement services; auctioneering; the bringing together, for the benefit of others, of a variety of goods, namely, measurement apparatus and equipment including those for scientific, nautical, topographic, meteorologic, industrial and laboratory purposes, thermometers, not for medical purposes, barometers, ammeters, voltmeters, hygrometers, testing apparatus not for medical purposes, telescopes, periscopes, directional compasses, speed indicators, laboratory apparatus, microscopes, magnifying glasses, binoculars, stills, ovens and furnaces for laboratory experiments, apparatus for recording, transmission or reproduction of sound or images, cameras, photographic cameras, television apparatus, video recorders, CD and DVD players and recorders, MP3 players, computers, desktop computers, tablet computers, wearable activity trackers, microphones, loudspeakers, earphones, telecommunications apparatus, apparatus for the reproduction of sound or images, computer peripheral devices, cell phones, covers for cell phones, telephone apparatus, computer printers, scanners [data processing equipment], photocopiers, magnetic and optical data carriers and computer software and programmes recorded thereto, downloadable and recordable electronic publications, encoded magnetic and optic cards, prerecorded motion picture films, prerecorded music videos, antennas, satellite antennas, amplifiers for antennas, parts of the aforementioned goods, ticket dispensers, automatic teller machines (ATM), electronic components used in the electronic parts of machines and apparatus, semi-conductors, electronic circuits, integrated circuits, chips [integrated circuits], diodes, transistors [electronic], magnetic heads for electronic apparatus, electronic locks, photocells, remote control apparatus for opening and closing doors, optical sensors, counters and quantity indicators for measuring the quantity of consumption, automatic time switches, clothing for protection against accidents, irradiation and fire, safety vests and life-saving apparatus and equipment, eyeglasses, sunglasses, optical lenses and cases, containers, parts and components thereof, apparatus and instruments for conducting, transforming, accumulating or controlling electricity, electric plugs, junction boxes [elec-

tricity], electric switches, circuit breakers, fuses, lighting ballasts, battery starter cables, electrical circuit boards, electric resistances, electric sockets, transformers [electricity], electrical adapters, battery chargers, electric door bells, electric and electronic cables, batteries, electric accumulators, solar panels for production of electricity, alarms and anti-theft alarms, other than for vehicles, electric bells, signalling apparatus and instruments, luminous or mechanical signs for traffic use, fire extinguishing apparatus, fire engines, fire hose and fire hose nozzles, radar apparatus, sonars, night vision apparatus and instruments, decorative magnets, metronomes, enabling customers to conveniently view and purchase those goods, such services may be provided by retail stores, wholesale outlets, by means of electronic media or through mail order catalogues.

38 – Radio and television broadcasting services; telecommunication services; providing access to the Internet; news agencies.

(260) AM 2020 103148 A
 (800) 1466752
 (151) 2019 04 08
 (891) 2019 04 08
 (731) BRUICHLADDICH DISTILLERY
 COMPANY LIMITED
 The Bruichladdich Distillery, Islay,
 Argyll PA49 7UN, United Kingdom

(540)



(591) Black, white
 (531) 19.07.01; 25.01.15
 (554) მოცულობითი
 (526) "heavily peated", "islay single malt"
 (511)

33 – Single malt Scotch Whisky produced in the Islay region of Scotland.

(260) AM 2020 103236 A
 (800) 1467519
 (151) 2019 04 03
 (891) 2019 04 03

(731) HUAWEI TECHNOLOGIES CO., LTD.
HUAWEI ADMINISTRATION BUILDING,
BANTIAN, LONGGANG DISTRICT,
SHENZHEN, 518129 GUANGDONG,
China

(540)
3D CuteMoji

(591) Black, white
(531) 27.05.01
(511)
9 – Smartphones; tablet computers; computer programs, recorded; computer software applications, downloadable; operating system programs; data processing apparatus; computer memory device; computer software, recorded; computer programs [downloadable software]; computer operating software; digital signal processors; memories for data processing equipment; computer operating programs; central processing units for processing information, data, sound or images; computer software for controlling and managing access server applications; computer hardware; graphics accelerators; computer screen saver software; computer software for controlling the operation of audio and video devices; computer chatbot software for simulating conversations; computer software for organizing and viewing digital images and photographs; computer software to enable the transmission of photographs to mobile telephones; computer software for processing digital images; computer software for creating and editing music and sounds; computer programs for user interface design.

(260) AM 2020 103237 A
(800) 1467526
(151) 2019 04 17
(891) 2019 04 17
(731) EYE PHARMA S.P.A.
Via Borghero 9, I-16148 Genova, Italy
(540)

NorFlo

(591) Black, white
(511)
5 – Dietetic substances adapted for medical use.

(260) AM 2020 103240 A
(800) 1467589
(151) 2019 04 12
(891) 2019 04 12
(731) HENKEL CORPORATION
One Henkel Way, Legal Department –
Trademarks, Rocky Hill CT 06067, USA
(540)

CHROMASILK VIVIDS

(591) Black, white
(511)
3 – Hair coloring preparations.

(260) AM 2020 103367 A
(800) 1468736
(151) 2019 03 26
(891) 2019 03 26
(731) HAUTE FRAGRANCE COMPANY, SIA
Kalnupes iela 3, Mārupe, LV-2167 Mārupes
nov., Latvia
(540)

DRY WOOD

(591) Black, white
(511)
3 – Perfumery and fragrances (eau de parfum).

(260) AM 2020 103395 A
(800) 1469096
(151) 2019 03 26
(891) 2019 03 26
(731) HAUTE FRAGRANCE COMPANY, SIA
Kalnupes iela 3, Mārupe, LV-2167 Mārupes
nov., Latvia
(540)

DIAMOND IN THE SKY

(591) Black, white
(511)
3 – Perfumery and fragrances (eau de parfum).

(260) AM 2020 103486 A
(800) 1469752
(151) 2018 09 12
(891) 2018 09 12
(731) ELTA LIZENZ GMBH
Edisonstrasse 1, 59199 Bönen, Germany
(540)



(591) Black, white
(531) 26.11.01; 26.11.12; 27.05.09; 27.05.10
(511)
8 – Hand-operated appliances for hairdressing and cosmetics, namely electric hair clippers for humans and pets, electric nose hair clippers, electric shavers, combinations of electric nose hair clippers and electric shavers, electric nail care sets; attachments for nail polish dryers for grinding, filing and polishing fingernails and toenails; thermo-electric eyelash pliers.

9 – Electronic coin-operated jukeboxes; TV apparatus; indoor antennas; hi-fi systems; video equipment; CD players; DVD players; MP3 players; video and/or audio duplicators; radios; loudspeakers and loudspeaker systems and combinations thereof; sound amplifiers; headphones.

10 – Medical, dental and beauty care appliances, namely body fat analysers for medical purposes, sphygmomanometers, clinical thermometers, whether or not in the form of ear and temple thermometers, facial massagers, inhalers, hearing aids, infrared massagers, heart rate monitors; massage mats for the car [not shaped] or home.

11 – Appliances for lighting, heating, steam generating, cooking, drying, ventilation, water supply and sanitary installations; electric bread ovens; electric coolers and warmers; small refrigerators; electric grills, in particular electric table grills, electric standing grills, electric raclette grills, electric contact grills; automatic espresso machines; automatic cappuccino machines; automatic coffee machines; combinations of automatic espresso, coffee and cappuccino machines; electric toasters; electric deep fryers; coffee machines; coffee machines with thermos flasks; electric coffee cup warmers; ovens; cooking rings and automatic coffee machine; hot plates; combinations of ovens and cooking rings; hot air, infrared, convection ovens and grills; the aforesaid goods also for equipping kitchen units; sandwich toasters; electric waffle irons; electric water boilers; electric chocolate melting devices; electric hot dog fryers; popcorn machines; ice cream machines; electric egg cookers; electric pans; electric rice cookers; electric woks; electric fondue sets; electric hair dryers; electric drying hoods; electric foot whirlpools; electric infrared saunas; electric humidifiers; electric dehumidifiers; electric fan heaters; electric halogen heaters; electric mini ventilators for air conditioning; electric stand fans for air conditioning; electric air conditioners; cordless battery-powered lighting lamps; electric nail polish dryers; facial saunas.

21 – Household or kitchen appliances and containers (not of precious metal or plated); brushes (other than paintbrushes), namely electric toothbrushes; non-electric ice crushers.

28 – Electronic entertainment equipment to be used with an external screen or monitor.

(260) AM 2020 103521 A

(800) 1470676

(151) 2019 04 25

(891) 2019 04 25

(731) CPS Technologies, LLC

1 South Pinckney Street, Madison WI 53703, USA

(540)



(591) Black, white

(531) 25.07.08; 25.07.15; 25.07.20; 25.07.21; 26.11.03; 26.11.08; 26.11.09; 26.13.25

(511)

9 – Batteries; galvanic batteries; polymer lithium-ion batteries; fuel cells; rechargeable batteries for electric vehicles; parts and accessories for batteries; battery chargers; voltmeters for electric batteries for land, air and water vehicles; battery monitors for land, air and water vehicles; grids for batteries, namely, conductive grids for batteries; component parts of batteries, namely, internal frames for the purpose of providing structural durability; component parts of batteries, namely, vent caps; industrial batteries; downloadable mobile application software for use with battery monitoring, battery diagnostic, and battery safety devices to monitor the performance of a battery; downloadable mobile application software for education relating to battery technology.

35 – Online retail store services featuring batteries; providing business information in the field of batteries via the internet.

37 – Installation, maintenance, and repair of vehicle batteries; vehicle battery charging.

(260) AM 2020 103522 A

(800) 1470687

(151) 2018 11 06

(891) 2018 11 06

(731) MCDERMOTT, INC.

757 N. Eldridge Parkway, Houston TX 77079, USA

(540)



(591) The color(s) blue, green, white is/are claimed as a feature of the mark.

(531) 25.01.13; 26.03.23; 27.05.21; 29.01.13

(511)

35 – Business services, namely, procuring qualified personnel, equipment and materials on behalf of others and business management services in the field of construction, installation and repair of containers, tanks, industrial storage and processing spheres, ter-

minals, towers and tanks, storage vessels and pressure vessels, sea platforms, offshore platforms, power units, refinery units, liquefied natural gas [LNG] processing units, petrochemical units, industrial units, pipelines, drainage systems, dredging systems, mooring systems; business services, namely, procuring qualified personnel, equipment and materials on behalf of others and business management services in the field of equipment for petroleum, petrochemical and natural gas exploration, production, storage, transport and distribution, instrumentation, measuring equipment systems, illuminating units and dredging; procurement of repair and replacement components used in the above items.

37 – Construction, installation and repair services of vessels, namely, containers, industrial storage and processing spheres, terminals, towers and tanks, storage vessels and pressure vessels, sea platforms, offshore platforms, tanks, power plants, refinery units, LNG processing units, petrochemical units, industrial units, pipelines, drainage systems, dredging systems, mooring systems, construction, installation and repair of equipment for the exploration, production, processing, storage, transport and distribution of petroleum products, petrochemicals and natural gas, instrumentation and measuring equipment systems, illuminating units and any of the units constructed or installed above; repair of metallic components used in the above construction, installation and repair services.

42 – Design, engineering, inspection and testing services for others in the fields of vessels, namely, containers, industrial storage and processing spheres, terminals, towers and tanks, storage vessels and pressure vessels, sea platforms, offshore platforms, platforms for sulfur production, tanks, power plants, refinery units, liquefied natural gas [LNG] processing plants and units, petrochemical plants and units, industrial plants, pipelines, drainage systems, dredging systems, mooring systems, oil and gas exploration and production systems, petroleum processing facilities, instrumentation systems, lighting systems.

(260) AM 2020 103523 A

(800) 1470703

(151) 2019 01 16

(891) 2019 01 16

(731) Zuffa, LLC

6650 South Torrey Pines Drive, Las Vegas
NV 89118, USA

(540)

CLASS UFC GYM

(591) Black, white

(511)

25 – Apparel and performance apparel, namely, tops as clothing, bottoms as clothing, headwear, foot-

wear, swimwear, undergarments, jackets, warm up suits, gloves, socks, sweatbands, rash guards and Gi robes; loungewear; sleepwear.

28 – Exercise machines; manually-operated exercise equipment; exercise weights; exercise bars; exercise benches; exercise and fitness equipment and accessories, namely, exercise gloves; boxing and mixed martial arts equipment, namely, bag gloves, mixed martial arts gloves, boxing gloves, focus mitts, punching mitts, shin guards, punching bags, heavy bags, free standing bags; pads for use in boxing and mixed martial arts, namely, kick pads, target pads, Thai pads and shin pads; chest protectors, and body shields for use in mixed martial arts and boxing; playground balls; sport balls; pumps for inflating sports equipment, namely, playground balls and sport balls.

41 – Health club services, namely, providing fitness, personal training and exercise facilities; providing instruction in the fields of fitness, personal training, exercise and mixed martial arts; providing instructional programs and classes in fields of fitness, personal training, exercise and mixed martial arts; providing information in the fields of fitness, personal training, exercise and mixed martial arts via a global computer network; providing instruction in the fields of nutrition, health and wellness.

(260) AM 2020 103525 A

(800) 1470794A

(151) 2018 12 20

(891) 2018 12 20

(731) F&I Energy AG

Baarerstrasse 52, CH-6300 Zug, Switzerland

(540)



FIRE&ICE

(591) Black, dark blue, blue, light blue, white, light yellow, yellow, red and brown-red.

(531) 01.15.05; 01.15.24; 29.01.13

(511)

32 – Aperitifs, non-alcoholic; barley wine [beer]; lithia water; seltzer water; soda water; waters [beverages]; aerated water; mineral water [beverages]; table waters; kvass [non-alcoholic beverage]; cocktails, non-alcoholic; beer-based cocktails; lemonades; non-alcoholic beverages; isotonic beverages; non-alcoholic honey-based beverages; rice-based beverages, other than milk substitutes; soya-based beverages, other than milk substitutes; aloe vera drinks,

non-alcoholic; whey beverages; protein-enriched sports beverages; soft drinks; non-alcoholic beverages flavored with coffee; non-alcoholic beverages flavored with tea; non-alcoholic fruit juice beverages; energy drinks; fruit nectars, non-alcoholic; orgeat; beer; ginger beer; malt beer; powders for effervescing beverages; sarsaparilla [non-alcoholic beverage]; syrups for lemonade; syrups for beverages; smoothies; tomato juice [beverage]; cider, non-alcoholic; vegetable juices [beverages]; fruit juices; preparations for making aerated water; preparations for making liqueurs; preparations for making beverages; must; grape must, unfermented; beer wort; malt wort; pastilles for effervescing beverages; sherbets [beverages]; non-alcoholic fruit extracts; extracts of hops for making beer; essences for making beverages.

(260) AM 2020 103530 A
 (800) 1470915
 (151) 2019 01 24
 (891) 2019 01 24
 (731) ASPÖCK SYSTEMS GMBH
 Enzing 4, A-4722 Peuerbach, Austria
 (540)

Fabrilcar

(591) Black, white
 (511)

9 – Signalling and checking (supervision) apparatus and instruments, apparatus and instruments for conducting, switching, transforming, accumulating, regulating or controlling electricity; flashing lights; blinkers; connections for electric lines; beacons, luminous; electrical sockets; dimmers; electric cables; cable harnesses; identification threads for electric wires; electric discharge lamps for signalling purposes; printed circuits; optical lanterns; light conducting filaments (optical fibres); junction sleeves for electric cables; commutators; commutation (electric apparatus for -); electric timer switches; electrical fuses; signalling lamps; electric voltage and current converters; electrical sockets; electric couplings; material for electricity mains, namely cable connectors and cable branch boxes; magnetic disks for mounting headlights; optical lamps; rotating lights; flashing lights.

11 – Lighting apparatus for vehicles of all kinds; bicycle lights, reflectors for vehicles, taillight, number plate lights, stop lights, backup lights, fog lights for vehicles of all kinds; sockets for electric lights; electric incandescent and gas discharge lamps; interior and exterior lights for vehicles of all kinds; light screens being parts of lamps, namely transparent and translucent covers for vehicle lights; housing for luminaries; reflectors for lamps and lights; light-emitting diodes [LED] lighting apparatus; side lights and outline lights for vehicles of all kinds; holders

for vehicle lights; front and rear running lights for vehicles of all kinds; parking lights for vehicles of all kinds; floodlights for work; ground lights; clear lenses for lamps and lights.

12 – Mirrors for vehicles, reversing alarms for vehicles, direction signals for automobiles; acoustic signalling devices for vehicles, bumpers for automobiles.

17 – Semi-finished products and shaped parts of rubber or gum in the form of blanks, profiles, strips, hoses, draught excluder strips, extrusions, moulded parts, not included in other classes; plastics in extruded form for use in manufacture; packing, stopping and insulating materials; flexible pipes, not of metal; semi-finished moulded plastics for use in manufacture, insulating materials for cables and cable bushings, seals for cable bushings.

35 – Advertising; business management; business administration; office functions; wholesaling and retailing, online or catalogue mail order, including via the internet, in the fields of signalling and checking (supervision) apparatus and instruments, apparatus and instruments for conducting, switching, transforming, accumulating, regulating or controlling electricity, blinkers, flashing lights, connections for electric lines, luminous beacons, junction boxes (electricity), electric light dimmers, electric cables, cable harnesses, identification threads for electric wires, wire connectors (electricity), electric discharge lamps for signalling, printed circuits, optical lamps, light conducting filaments, namely optical fibres, junction sleeves for electric cables, commutators, electric apparatus for commutation, electric time switches, fuses (electricity), signalling lamps, electric voltage converters and current transformers, plugs, sockets and other contacts (electric connections), electric couplings, materials for electricity mains, namely cable connectors and cable branches, lighting apparatus for vehicles of all kinds, bicycle lights, vehicle reflectors, rear lights, numberplate lights, brake lights, reversing lights, fog lights for vehicles of all kinds, sockets for electric lights, electric incandescent lamps and gas discharge lamps, interior lights and exterior lights for vehicles of all kinds, light casings (parts for lamps), namely transparent and translucent covers for vehicle lights, lamp housings, lamp and light reflectors, light-emitting diodes, side lights and outline lights for vehicles of all kinds, brackets for vehicle lights, front and rear running lights for vehicles of all kinds, parking lights for vehicles of all kinds, rotating beacons, strobe lights, working lights, floor lights, rearview mirrors for motor vehicles, reversing alarms for vehicles, direction signals for motor vehicles, acoustic signalling devices for vehicles, bumpers for automobiles, semi-finished products and mouldings of rubber or gum in the form of cuttings, profiles, strips, hoses, draught excluder strips, extrusions, shaped

parts, not included in other classes, goods of plastic, namely semi-finished products, packing materials, stopping materials and insulating materials, hoses, not of metal, plastic injection mouldings (semi-finished products), insulators for cables and cable ducts, seals for cable ducts; wholesaling and retailing, online or catalogue mail order, including via the internet, in the fields of signalling and checking (supervision) apparatus and instruments, apparatus and instruments for conducting, switching, transforming, accumulating, regulating or controlling electricity, light conducting filaments (optical fibres), electric voltage converters and current transformers, materials for electricity mains, namely cable connectors and cable branches, bicycle lights, vehicle reflectors, rear lights, numberplate lights, brake lights, reversing lights, fog lights for vehicles of all kinds, electric incandescent and gas discharge lamps, interior and exterior lights for vehicles of all kinds, light casings (parts for lamps), namely transparent and translucent covers for vehicle lights, side and outline lights for vehicles of all kinds, front and rear running lights for vehicles of all kinds, rearview mirrors for motor vehicles, reversing alarms for vehicles, acoustic signalling devices for vehicles, bumpers for automobiles, semi-finished products and mouldings of rubber or gum in the form of cuttings, profiles, strips, hoses, draught excluder strips, extrusions, shaped parts, not included in other classes, goods of plastic (semi-finished products), packing, stopping and insulating materials, hoses, not of metal, plastic injection mouldings (semi-finished products), insulators for cables and cable ducts, seals for cable ducts.

37 – Repair services, namely maintenance services for preserving an object in its original condition without altering its properties, in particular for the fields of lighting apparatus for vehicles of all kinds, bicycle lights, vehicle reflectors, rear lights, numberplate lights, brake lights, reversing lights, fog lights for vehicles of all kinds, sockets for electric lights, electric incandescent lamps and gas discharge lamps, interior lights and exterior lights for vehicles of all kinds, light casings (parts for lamps), namely transparent and translucent covers for vehicle lights, lamp housings, lamp and light reflectors, light-emitting diodes, side lights and outline lights for vehicles of all kinds, brackets for vehicle lights, optical lamps, front and rear running lights for vehicles of all kinds, parking lights for vehicles of all kinds, rotating beacons, strobe lights, working lights, floor lights, rearview mirrors for motor vehicles, reversing alarms for vehicles, direction signals for motor vehicles, bumpers for automobiles; repair services, namely maintenance services for preserving an object in its original condition without altering its properties, in particular for the fields of lighting apparatus for vehicles of all kinds, bicycle lights, vehicle reflectors, rear lights, numberplate lights, brake lights, re-

versing lights, fog lights for vehicles of all kinds, electric incandescent and gas discharge lamps, interior and exterior lights for vehicles of all kinds, light casings (parts for lamps), namely transparent and translucent covers for vehicle lights, side and outline lights for vehicles of all kinds, front and rear running lights for vehicles of all kinds, rearview mirrors for motor vehicles, reversing alarms for vehicles, direction signals for motor vehicles, bumpers for automobiles.

(260) AM 2020 103540 A

(800) 1471032

(151) 2019 04 23

(891) 2019 04 23

(731) Apple Inc.

One Apple Park Way, Cupertino CA 95014,
USA

(540)



(591) The color(s) black, blue and green is/are claimed as a feature of the mark

(531) 05.07.13; 05.07.23; 26.04.04; 26.04.15;
26.04.18; 26.04.24; 29.01.13

(526) TV

(511)

38 – Telecommunications; broadcasting, transmission, and streaming of voice, data, images, audio, video, multimedia, television, by means of telecommunications networks, computer networks, the Internet, satellite, wireless communications networks, television, and cable; subscription and pay-per-view broadcasting, transmission, and streaming services by means of telecommunications networks, computer networks, the Internet, satellite, wireless communications networks, television, and cable; video-on-demand transmission services; providing access to telecommunications networks, computer networks, the Internet, satellite communications, wireless communications networks, and cable; providing access to websites, databases, electronic bulletin boards, on-line forums, directories, music, and video and audio programs; communication by computer; information, advisory and consultancy services relating to all the aforesaid.

(260) AM 2020 103547 A

(800) 959904

(151) 2007 12 29

(891) 2019 05 20

(731) LEMASERA LIMITED

Spyrou Kyprianou, 61 SK House, CY-4003
Limassol, Cyprus

(540)

SILK SENSE

(591) Black, white

(511)

3 – Abrasives; amber (perfumery); scale removing preparations for household purposes; anti-static preparations for household purposes; breath freshening sprays; canned pressurized air for cleaning and dusting purposes; antiseptic shaving stones; polishing stones; abrasive papers; emery paper; polishing paper; petroleum jelly for cosmetic purposes; cotton wool for cosmetic purposes; cotton sticks for cosmetic purposes; aromatics (essential oils); cake flavorings (essential oils); flavourings (flavorings) for beverages (essential oils); sachets for perfuming linen; scented water; Javelle water; lavender water; toilet water; laundry wax; parquet floor wax; nonslip wax for floors; moustache wax; tailors' wax; polish for furniture and flooring; polish; shoemakers' wax; cobblers' wax; heliotropine; dental bleaching gels; geraniol; make-up; deodorants for personal use (perfumery); scented wood; perfumes; nonslip liquids for floors; windscreen cleaning liquids; greases for cosmetic purposes; volcanic ash for cleaning; perfumery; decorative transfers for cosmetic purposes; ionone (perfumery); smoothing stones; eyebrow pencils; cosmetic pencils; silicon carbide (abrasive); carbides of metal (abrasives); alum stones (antiseptics); tripoli stone for polishing; adhesives for affixing false eyelashes; adhesives for affixing false hair; quillaia bark for washing; corundum (abrasive); blueing for laundry; bluing for laundry; laundry blueing; beard dyes; colorants for toilet purposes; colorants for toilet purposes; cosmetic dyes; laundry starch; starch for laundry purposes; cosmetic creams; skin whitening creams; creams for leather; polishing rouge; incense; hair spray; nail polish; after-shave lotions; hair lotions; lotions for cosmetic purposes; beauty masks; oils for perfumes and scents; oils for cosmetic purposes; oils for toilet purposes; essential oils; ethereal oils; essential oils of cedarwood; essential oils of lemon; oils for cleaning purposes; bergamot oil; gaultheria oil; jasmine oil; lavender oil; almond oil; rose oil; oil of turpentine for degreasing; adhesive materials for cosmetic use; whitening; cleaning chalk; almond milk for cosmetic purposes; cleansing milk for toilet purposes; musk (perfumery); soap; disinfectant soap; deodorant soap; shaving soap; soap for brightening textile; cakes of soap; medicated soap; antiperspirant soaps; soaps for foot perspiration; almond soap; mint for perfumery; cosmetic sets; emery; false nails; eau-de-Cologne; bases for flower perfumes; incense sticks; polishing wax; polishing creams; pastes for razor strops; dentifrices; pumice stone; hydrogen peroxide for cosmetic pur-

poses; abrasive cloth; emery cloth; glass cloth; lipsticks; pomades for cosmetic purposes; shaving products; cosmetic preparations for baths; toiletries; hair waving preparations; laundry soaking preparations; grinding preparations; smoothing preparations; leather bleaching preparations; denture polishes; furnishing preparations; shining preparations; polishing preparations; non-medicated oral care products; cosmetic preparations for slimming purposes; polishing starch; laundry glaze; fabric softeners; bleaching substances (laundry); washing products; dry cleaning products; make-up removing preparations; paint-stripping preparations; paint removing preparations; colour-removing preparations; lacquer-removing preparations; varnish-removing preparations; floor wax removers (scouring preparations); antirust products (for rust removal); nail care preparations; cleaning preparations; preparations for cleaning dentures; wallpaper cleaning preparations; preparations for cleaning waste pipes; color-brightening chemicals for household purposes (laundry); make-up powder; diamantine (abrasive); scouring solutions; false eyelashes; tissues impregnated with cosmetic lotions; safrol; Turpentine, for degreasing; potpourris; bleaching soda; washing soda, for cleaning; bath salts, not for medical purposes; bleaching salts; leather preservatives (polishes); fumigation preparations (perfumes); volatile alkali [ammonia] [detergent]; astringents for cosmetic purposes; eyebrow cosmetics; stain removers; make-up products; sunscreens (cosmetic preparations for skin tanning); hair dyes; hair colorants; neutralizers for permanent waving; plant leaf lustering products; cosmetic preparations for eyelashes; depilatory wax; depilatories; depilatories; cosmetic preparations for skin care; shoe polish; shoe cream; cosmetics; cosmetics for animals; mascara; detergents other than for use during manufacturing processes and those for medical use; degreasers other than for use in manufacturing processes; bleaching preparations for cosmetic purposes; antiperspirants; talcum powder, for toiletry use; terpenes; cloths impregnated with a detergent for cleaning; shampoos; shampoos for pets; sandpaper (glass paper); soda lye; flower extracts (perfumery); ethereal essences; badian essence; mint essence.

5 – Acaricides; aconitine; alkaloids for medical purposes; algicides; aldehydes for pharmaceutical purposes; dental amalgams of gold; dental amalgams; amino acids for veterinary purposes; amino acids for medical purposes; antibiotics aluminium acetate for pharmaceutical purposes; acetates for pharmaceutical purposes; germicides; balms for medical purposes; menstruation bandages; dressing bandages; biocides; bracelets for medical purposes; anti-rheumatism bracelets; bromine for pharmaceutical purposes; paper for mustard plasters; fly catching paper; mothproof paper; petroleum jelly for medical purposes; vaccines; oxygen baths; antiseptic cotton; ab-

sorbent cotton; cotton for medical purposes; dietetic substances adapted for medical use; radiological contrast substances for medical purposes; nutritive substances for microorganisms; radioactive substances for medical purposes; bismuth subnitrate for pharmaceutical purposes; melissa water for pharmaceutical purposes; sea water for medicinal bathing; mineral water for medical purposes; thermal water; edible plant fibres (non-nutritive); moulding wax for dentists; gases for medical purposes; guaiacol for pharmaceutical purposes; haematogen; haemoglobin; hydrastine; hydrastinine; glycerine for medical purposes; glycerophosphates; glucose for medical purposes; gentian for pharmaceutical purposes; hormones for medical purposes; mustard for pharmaceutical purposes; mustard poultices; mud for baths; medicinal mud; gamboge for medical purposes; gurgjun balsam for medical purposes; deodorants, other than for personal use; diastase for medical purposes; digitalin; additives to fodder for medical purposes; mineral food supplements; food supplements for medical use; yeast for pharmaceutical purposes; gelatine for medical purposes; cod liver oil; isotopes for medical purposes; insecticides; iodine for pharmaceutical purposes; iodides for pharmaceutical purposes; alkaline iodides for pharmaceutical purposes; iodoform; calomel; cream of tartar for pharmaceutical purposes; tartar for pharmaceutical purposes; camphor for medical purposes; capsules for medicines; cachets for pharmaceutical purposes; pastilles for pharmaceutical purposes; candy for medical purposes; haemostatic pencils; wart pencils; caustic pencils; carbolineum (parasiticide); caustics for pharmaceutical purposes; cachou for pharmaceutical purposes; quassia for medical purposes; quebracho for medical purposes; gallic acid for pharmaceutical purposes; acids for pharmaceutical purposes; adhesives for dentures; adhesive tapes for medical purposes; cocaine; collodion for pharmaceutical purposes; corn rings for the feet; anti-rheumatism rings; medicated confectionery; angostura bark for medical use; barks for pharmaceutical purposes; cedar wood for use as an insect repellent; condurango bark for medical purposes; croton bark; mangrove bark for pharmaceutical purposes; myrobalan (myrobolan bark) for pharmaceutical purposes; quinquina for medical purposes; medicinal roots; rhubarb roots for pharmaceutical purposes; lint for medical purposes; starch for dietetic or plasters; plasters; medicines for alleviating constipation; lecithin for medical purposes; lotions for veterinary purposes; dog lotions; lotions for pharmaceutical purposes; lupulin for pharmaceutical purposes; magnesia for pharmaceutical purposes; liniments; ointments for pharmaceutical purposes; sunscreen products (sunburn ointments); mercurial ointments; frostbite salve for pharmaceutical purposes; gauze for dressings; anti-horse-fly oils; oils for medical use; mustard oil for medical purposes; camphor oil for medical purposes; castor

oil for medical purposes; oil of turpentine for pharmaceutical purposes; dill oil for medical purposes; dental mastics; dental abrasives; dental impression materials; teeth filling material; dressings; surgical dressings; drugs for medical purposes; medicines for veterinary purposes; serotherapeutic medicines; medicines for human purposes; medicines for dental purposes; menthol; medicinal drinks; moleskin for medical purposes; albuminous milk; almond milk for pharmaceutical purposes; royal jelly (for medical purposes); milk ferments for pharmaceutical purposes; Irish moss for medical purposes; lacteal flour (for babies); flour for pharmaceutical purposes; linseed meal for pharmaceutical purposes; fishmeal for pharmaceutical purposes; fly catching adhesives; mint for pharmaceutical purposes; portable medicine chests; dietetic beverages adapted for medical purposes; malted milk beverages for medical purposes; narcotics; medicinal infusions; tincture of iodine; eucalyptol for pharmaceutical purposes; tinctures for medical purposes; opium; opodeldoc; decoctions for pharmaceutical purposes; antiparasitic collars for animals; stick liquorice for pharmaceutical purposes; sulphur sticks; absorbent incontinence pants; pectin for pharmaceutical purposes; incontinence napkins; pepsins for pharmaceutical purposes; peptones for pharmaceutical purposes; hydrogen peroxide for medical purposes; pills for pharmaceutical purposes; leeches for medical purposes; blood plasma; plasters for medical purposes; eye patches for medical purposes; poultices; compresses; scapulars for surgical purposes; bunion pads; breast-nursing pads; pomades for medical purposes; powder of cantharides; pyrethrum powder; belts for sanitary napkins; anti-uric preparations; bacterial preparations for medical and veterinary use; bacteriological preparations for medical and veterinary purposes; balsamic preparations for medical purposes; albuminous preparations for medical purposes; biological preparations for veterinary purposes; biological preparations for medical purposes; veterinary preparations; bismuth preparations for pharmaceutical purposes; vitamin preparations; diagnostic products for medical purposes; therapeutic preparations for the bath; haemorrhoid preparations; preparations for callouses; preparations to facilitate teething; preparations for the treatment of burns; fumigation preparations for medical purposes; ootherapy preparations; air-freshening preparations; air purifying preparations; preparations for bronchodilators; sterilising preparations, soil-sterilising preparations; corn remedies; pharmaceutical preparations for treating dandruff; pesticides; herbicides; preparations for destroying dry rot fungus; larvae exterminating preparations; fly destroying preparations; preparations for destroying mice; slug exterminating preparations; vermin destroying preparations; pharmaceutical preparations for skin care; contact lens cleaning preparations; preparations of lime for pharmaceutical purposes; medicated bath prepara-

rations; medicinal preparations for stimulating hair growth; opiates; anticryptogamic preparations; preparations of trace elements for human and animal use; sulphonamides (medicines); pharmaceutical preparations; sunburn preparations for pharmaceutical purposes; enzyme preparations for veterinary purposes; enzyme preparations for medical purposes; chemical-pharmaceutical preparations; chemical preparations for veterinary purposes; chemical preparations for the diagnosis of pregnancy; chemical preparations for medical purposes; chemical preparations to treat wheat blight; vine disease treating chemicals; chemical preparations to treat mildew; chemical preparations for treating phylloxera; chemical preparations for pharmaceutical purposes; chilblain preparations; mothproofing preparations; eye-wash; Goulard water; chemical conductors for electrocardiograph electrodes; albuminous food-tuffs for medical purposes; food for babies; dietetic foods adapted for medical purposes; by-products of the processing of cereals for medical purposes; sanitary pads; panty liners (hygienic products); radium for medical purposes; hydrated chloral for pharmaceutical purposes; solvents for removing adhesive plasters; vaginal baths; solutions for use with contact lenses; chemical reagents for medical or veterinary purposes; gum for medical purposes; rubber for dental purposes; chewing gum for medical purposes; insect-repellent incense; insect repellents; repellents for dogs; sanitary napkins; tissues impregnated with pharmaceutical lotions; sarsaparilla (for medical purposes); sugar for medical purposes; asthmatic tea; fumigating sticks; suppositories; linseed for pharmaceutical purposes; tobacco-free cigarettes for medical purposes; siccatives for medical purposes; syrups for pharmaceutical purposes; turpentine for pharmaceutical purposes; milking grease; greases for veterinary purposes; greases for medical purposes; soporifics; bicarbonate of soda for pharmaceutical purposes; salts for mineral water baths; bath salts for medical purposes; salts for medical purposes; potassium salts for medical purposes; sodium salts for medical purposes; smelling salts; mineral water salts; malt for pharmaceutical purposes; semen for artificial insemination; medicinal alcohol; alloys of precious metals for dental purposes; ergot for pharmaceutical purposes; anaesthetics; antiseptics; analgesics; adjuvants for medical purposes; styptic preparations; vermifuges; disinfectants for hygiene purposes; disinfectants for chemical toilets; anorexiant for medical purposes; medical preparations for slimming purposes; parasiticides; mouthwashes for medical purposes; febrifuges; depuratives; animal washes; detergents for medical use; cattle washes; dog washes; vesicants; headache pencils; remedies for perspiration; remedies for foot perspiration; chemical contraceptives; antiparasitic preparations; laxatives; purgatives; tonics (medicines); nervines; digestives for pharmaceutical purposes; bacteriological culture

media; steroids; strychnine; serums; sal ammoniac lozenges; menstruation tampons; vulnerary sponges; thymol for pharmaceutical purposes; surgical tissues; smoking herbs for medical purposes; medicinal herbs; tranquillizers; surgical implants (living tissues); menstruation knickers; charcoal for pharmaceutical purposes; fennel for medical purposes; porcelain for dental prostheses; phenol for pharmaceutical purposes; enzymes for veterinary purposes; enzymes for medical purposes; ferments for pharmaceutical purposes; formic aldehyde for pharmaceutical purposes; phosphates for pharmaceutical purposes; fungicides; quinine for medical purposes; chinoline for medical purposes; diabetic bread; chloroform; flowers of sulphur for pharmaceutical purposes; cement for animal hooves; bone cement for use in surgery and orthopedics; dental cements; medicinal tea; herbal teas; reducing tea for medical purposes; eucalyptus for pharmaceutical purposes; tobacco extracts (insecticides); extracts of hops for pharmaceutical purposes; elixirs (pharmaceutical preparations); ethers for pharmaceutical purposes; esters for pharmaceutical purposes; cellulose esters for pharmaceutical purposes; cellulose ethers for pharmaceutical purposes; jujube; rat poison; poisons; bacterial poisons; jalap.

16 – Fountain pens; pens; watercolours; scrapbooks; almanacs; apparatus for plastifying documents (office articles); atlases; posters; paper bows (stationery); paper table linen; paper tablecloths; paper table mats; paper table napkins; paper table mats; paper table covers; tickets; forms; note books; drawing pads; pads (stationery); loose-leaf binders; wristbands for the retention of writing instruments; pamphlets; booklets; sheets (stationery); waxed paper; paper for recording machines; paper for radiograms; electrocardiograph paper; paper for cupboards (perfumed or not); wood pulp paper; carbon paper; copying paper (stationery articles); parchment paper; writing paper; luminous paper; toilet paper; wrapping paper; Xuan paper for Chinese painting and calligraphy; paper; blotters; writing pads; scratch-pads; newsletters; rollers for typewriters; house painters' rollers; composing sticks; modelling wax, not for dental purposes; paper or cardboard signboards; patterns for dressmaking; patterns for making clothes; newspapers; electrotypes; electrotypes; hectographic prints; shields (paper seals); terrestrial globes; engraved works of art; engravings; slate pencils; pencil leads; pencil holders; chalk holders; holders for stamps; holders for chequebooks; diagrams; engraving plates; writing slates; blackboards; galley racks (printing); drawing boards; punches (office requisites); cream containers of paper; money clips; tags for index cards; pen clips; bookmarks; book-marks; etching needles; tracing needles for drawing purposes; printed publications; paper or plastic sachets (envelopes, pouches) for wrapping; sacks (envelopes, pouches)) plastic and paper packaging ma-

terials; cardboard articles; paper shredders (office supplies); graphic representations; graining combs; calendars; tear-off calendars; tracing paper; tracing cloth; tracing patterns; gums (adhesives) for stationery or household purposes; lithographic stones; pencils; propelling pencils; charcoal pencils; pictures; transfers; framed or non-framed paintings; wood pulp board (stationery); cardboard; cardboard hat-boxes; document files (stationery); binders (office supplies); cards; index cards (stationery); non-electric credit card imprinters; geographical maps; paper tapes and cards for recording computer programs; perforated cards for jacquard looms; catalogues; spools for inking ribbons; paper cachepots; brushes (small brushes); paintbrushes; painters' brushes; writing brushes; typewriter keys; glue for stationery or household purposes; gluten (glue) for stationery or household purposes; isinglass for stationery or household purposes; starch paste for stationery or household purposes; printing blocks; books; registers (books); manifolds; comic books; drawing pins; drawing pins (tacks); cigar bands; cigar bands; envelopes (stationery); cases for stamps (seals); cardboard or paper boxes; paint boxes (school supplies); correction fluids (office supplies); French curves; French curves; paper ribbons; typewriter ribbons; adhesive bands for stationery or household purposes; adhesive bands for stationery or household purposes; adhesive tapes for stationery or household purposes; gummed tape (stationery); inking ribbons; inking ribbons for computer printers; square rulers (rulers); viscose sheets for wrapping; plastic bubble packs for wrapping or packaging; sheets of reclaimed cellulose for wrapping; steel letters; types (numerals and letters); letters (printers' type); printing type; numbers (type); lithographic works of art; lithographs; architect's models; postage stamps; designs; modelling clay; plastics for modelling; modelling materials; modelling materials; modelling paste; teaching materials except apparatus; instructional material except apparatus; bookbinding material; bookbinding cloth; fabrics for bookbinding; sealing compounds for stationery purposes; adhesives for stationery or household purposes; self-adhesive tapes for stationery or household purposes; adhesives for stationery or household purposes; packaging material made of starches; filtering materials (paper); filter paper; addressing machines; bookbinding apparatus and machines (office equipment); electric or non-electric typewriters; folders (office requisites); franking machines for sticking postage stamps or printing the franchise; chalk for lithography; writing chalk; tailor's chalk; steatite (tailor's chalk); marking chalk; garbage bags of paper or of plastics; painters' easels; hand-rests for painters; writing instruments; writing cases (sets); portable printing sets (office requisites); paper bibs; stickers (stationery items); finger-stalls (office requisites); bookbinding cords; paper cutters (office requisites); numbering apparatus; bottle en-

velopes of cardboard or paper; sealing wafers; covers (stationery); passport holders; plastic film (adhesive, extendable), for palletizing purposes; embroidery designs; handwriting specimens for copying; oleographs; musical greeting cards; greeting cards; postcards; etchings; conical paper bags; bags for microwave cooking; palettes for painters; ink sticks; folders for papers; papier mâché; pastels (crayons); babies' disposable napkins of paper or cellulose; disposable babies' napkins of paper or cellulose; pen cases; bookbindings; periodicals; magazines (periodicals); pen wipers; office perforators; nibs; nibs of gold; steel pens; drawing pens; drawing pens; song books; seals (seals); sealing stamps; announcement cards (stationery); clip boards (office requisites); address plates for addressing machines; paper handkerchiefs; plastic film for wrapping; disposable diapers of paper or cellulose; letter trays; trays for sorting and counting money; paper coasters; bookends; stamp stands; mats for beer glasses; stands for pens and pencils; photograph stands; inking pads; stamp pads; stamping pads; binding strips (bookbinding); hand towels of paper; gummed cloth for stationery purposes; printer's blankets, not of textile; inking sheets for document reproducing machines; inking sheets for duplicators; portraits; paperweights; writing sets (inkstands); inkstands; compasses for drawing; drawing materials; drawing instruments; pantographs (drawing instruments); drawing rulers; drawing sets; drawing t-squares; drawing squares; erasing shields; rubber erasers; office requisites, except furniture; writing materials; school supplies; adhesive tape dispensers (stationery); hand labelling appliances; paper clasps; bulldog clips; pencil sharpening machines, electric and non electric; electric or non-electric pencil sharpeners; printed matter; printed matter; prospectuses; printed timetables; printers' reglets; indexes; elastic bands for offices; graphic reproductions; duplicators; mimeograph apparatus and machines; penholders; fountain pens; paper tissues for removing make-up; paper face towels; scrapers for offices; office staples; erasing products; biological samples for use in microscopy (teaching materials); histological sections for teaching purposes; figurines (statuettes) of papier mâché; statuettes of papier mâché; writing board erasers; composing frames (printing); sealing wax; calculating tables; paper or cardboard placards; writing or drawing books; stationery articles; transparencies (stationery); stencils (stationery); stencil plates; stencils; cardboard tubes; Indian inks; moisteners; humidifiers (office requisites); chart pointers, non electronic; bottle wrappers of cardboard or paper; envelope sealing machines, for offices; sealing machines for offices; vignetting apparatus; apparatus for mounting photographs; staplers (stationery); stapling presses (stationery); handbooks; paper coffee filters; paper flags; paper flags; silver paper; moulds for modelling clay (artists' materials); photo-

engravings; photographs; stencil cases; canvas for painting; chromolithographs; chromos; artists' watercolor saucers; correcting ink (heliography); inks; ink wells; ink stones (ink reservoirs); blueprints; rosaries; balls for ball-point pens; stationery cases (office supplies); printers' type; address stamps; address stamps; stamps (seals); advertisement boards of paper or cardboard; prints (engravings); non-textile labels.

(260) AM 2020 103556 A
(800) 1449120
(151) 2018 11 20
(891) 2019 05 17
(731) PERNOD RICARD INDIA PRIVATE LIMITED
5th floor, D-3, District Centre, Saket,
New Delhi 110017, India

(540)

IMPERIAL BLUE

(591) Black, white
(531) 27.05.01
(511)
33 – Spirits and liqueurs.

(260) AM 2020 103593 A
(800) 1471238
(151) 2019 04 24
(891) 2019 04 24
(731) UAB "ATLANTIC DUTY FREE"
Mokyklos g. 1, Mokolu k., LT-68461
Marijampoles sav., Lithuania

(540)

7 acres

(591) Black, white
(511)
33 – Alcoholic beverages (except beer); preparations for making alcoholic beverages.

(260) AM 2020 103594 A
(800) 1471244
(151) 2019 03 01
(891) 2019 03 01
(731) KPO MARKETING COMPANY LIMITED
Egypt Street, 12, CY-1097 Nicosia, Cyprus

(540)

MOSCOW LIGHTS

(591) Black, white
(531) 27.05.01
(511)
33 – Alcoholic beverages containing fruit; alcoholic beverages, except beer; alcoholic essences; alcoholic extracts; anise [liqueur]; anisette [liqueur]; aperitifs;

arrack [arak]; bitters; brandy; cider; cocktails; curacao; digesters [liqueurs and spirits]; distilled beverages; fruit extracts, alcoholic; gin; kirsch; liqueurs; mead [hydromel]; nira [sugarcane-based alcoholic beverage]; peppermint liqueurs; perry; piquette; pre-mixed alcoholic beverages, other than beer-based; rice alcohol; rum; sake; spirits [beverages]; vodka; whisky; wine.

(260) AM 2020 103596 A
(800) 1471329
(151) 2019 05 03
(891) 2019 05 03
(731) INCYTE HOLDINGS CORPORATION
1801 Augustine Cut-Off, Wilmington
DE 19803, USA

(540)

ITSYTO

(591) Black, white
(511)
5 – Pharmaceutical preparations.

(260) AM 2020 103597 A
(800) 1471341
(151) 2019 05 03
(891) 2019 05 03
(731) INCYTE HOLDINGS CORPORATION
1801 Augustine Cut-Off, Wilmington
DE 19803, USA

(540)

WUNVI

(591) Black, white
(511)
5 – Pharmaceutical preparations.

(260) AM 2020 103602 A
(800) 1471493
(151) 2019 05 06
(891) 2019 05 06
(731) BEIJING AUTOMOTIVE GROUP CO., LTD
NO.99 SHUANGHE STREET, SHUNYI
DISTRICT, BEIJING CITY, China

(540)

SENOVA

(591) Black, white
(531) 27.05.17
(511)
12 – Gear boxes for land vehicles; engines for land vehicles; turbines for land vehicles; engines for land vehicles; clutches for land vehicles; sports cars; car; vans [vehicles]; automobiles; car; automobile chassis.

37 – Building construction supervision; repair information; building of fair stalls and shops; electric appliance installation and repair; vehicle maintenance; vehicle service stations [refueling and maintenance]; vehicle washing; vehicle breakdown repair services; shipbuilding; retreading of tyres; airplane maintenance and repair.

(260) AM 2020 103603 A

(800) 1471546

(151) 2019 01 11

(891) 2019 01 11

(731) BUMKINS FINER BABY PRODUCTS, INC.

5454 E WASHINGTON ST, STE 2,

Phoenix AZ 85034, USA

(540)

BUMKINS

(591) Black, white

(511)

5 – Breast-nursing pads; infant cloth diapers; infant diaper covers; inserts specially adapted for cloth infant diapers made of cloth, microfiber, cotton, rayon, and viscose; paper liners for diapers.

10 – Pacifier clips; teething rings.

11 – Hand held shower heads; shower head sprayers.

16 – Trash can liners; plastic bags in the shape of tubes for the storage and disposal of waste, including sanitary waste such as diapers and nappies, feminine hygiene products and incontinence products.

18 – Diaper bags; dry bags (terms considered too vague by the international bureau – [rule 13.2.b] of the common regulations); travel bags.

20 – Baby changing mats.

21 – Cold packs used to keep food and drink cold; dishware; thermal insulated bags for food or beverages; plastic place mats.

22 – Laundry bags; waterproof bags, namely, wet bags for temporary storage of wet and/or soiled cloth diapers.

24 – Burp cloths; diaper changing cloths for babies; diaper changing pads not of paper; place mats, not of paper.

25 – Bibs, not of cloth or paper; bibs, not of paper; body suits; cloth bibs; infant sleepers; pants; plastic baby bibs; smocks; t-shirts.

(260) AM 2020 103606 A

(800) 1471639

(151) 2018 12 19

(891) 2018 12 19

(731) PERKINS HOLDINGS LIMITED

Eastfield, Peterborough PE1 5FQ, United

Kingdom

(540)



(591) Black, white

(531) 26.01.06; 26.04.03; 26.07.05

(511)

4 – Industrial oils and greases, wax; lubricants; dust absorbing, wetting and binding compositions; fuels and illuminants; candles and wicks for lighting; non-chemical additives to motor fuel; diesel oil; fuel oils and mixtures; engine oils; non-chemical additives for engine oils; motor spirits; motor vehicle lubricants; lubricating oil for motor vehicle engines; grease for machines; wax; motor fuel; anti-seizure compounds, namely lubricating oils and greases; preparations being greases for retaining ball and roller bearings and bushings; petroleum ether.

7 – Machines, namely machines for use in agriculture, compaction, construction, demolition, earth conditioning, earth contouring, earth moving, forestry, landscaping, lawn care, lifting, marine propulsion, material handling, mining, mulching, oil and gas distribution, oil and gas exploration, oil and gas production, paving, pipelaying, power generation, road building and repair, site preparation and remediation, tunnel boring, and vegetation management; machine tools, power operated tools; motors and engines, except for land vehicles; machine coupling and transmission components, except for land vehicles; agricultural implements, other than hand-operated hand tools; incubators for eggs; automatic vending machines; diesel engines; gas engines; electrical engines, other than for land vehicles; internal combustion engines; marine engines; generators of electricity; current generators; alternators; starting devices for engines and motors; exhausts for motors and engines; power transmissions [except for land vehicles]; compressors [superchargers]; ignition devices, fueling injection devices and hydraulic and pneumatic controls for internal combustion engines; lubricating apparatus; radiators [cooling] for engines and motors; filters [parts of machines or engines]; filters for cleaning cooling air, for engines; bearings [parts of machines]; cylinders for motors and engines; cylinder heads for engines; camshafts for vehicle engines; connecting rods for machines, motors and engines; crank shafts; gaskets for internal combustion engines; sealing joints [parts of engines]; gears, other than for land vehicles; gears for machines; automotive engine blocks; exhaust manifold for engines; pistons [parts of machines or engines]; pistons for engines; piston rings; rocker arms for engines; pumps [parts of machines, engines or motors]; timing belt pulleys [parts of engines]; valves [parts of machines]; injectors for engines; control mechanisms for machines, engines or motors; crankcases for machines, motors and engines; fuel economisers

for motors and engines; igniting devices for internal combustion engines; silencers for motors and engines; petrol pumps; welding apparatus; control mechanisms for engines; parts and fittings for all the aforesaid goods.

9 – Scientific, nautical, surveying, photographic, cinematographic, optical, weighing, measuring, signalling checking (supervision), life-saving and teaching apparatus and instruments; apparatus and instruments for conducting, switching, transforming, accumulating, regulating or controlling electricity; apparatus for recording, transmission or reproduction of sound or images; magnetic data carriers, recording discs; compact discs, DVDs and other digital recording media; mechanisms for coin-operated apparatus; cash registers, calculating machines, data processing equipment, computers; computer software; fire-extinguishing apparatus; electrical and electronic apparatus and instruments, namely, electrical adaptors, electrical amplifiers, electrical connectors, electrical couplings, electrical fuses and electrical locks; measuring and testing apparatus and instruments; cable and wire; conduits (electricity-); switches; pressure switches; connectors; jump leads; fuses; circuit testers; voltage testers; fuse holders; transformers; battery testing apparatus for sale in kit form; thermostats; gauges; levelling apparatus and instruments; tape measures and rulers; microscopes; tachometers; diagnostic apparatus and instruments; meters; thermometers; alarms; horns for signalling; optical reflectors; optical mirrors; aerials; battery chargers; weighing apparatus and instruments; computers and computer programmes; calculating machines; laser pointers; safety clothing for protection against accident or injury; protective headgear; audio visual teaching apparatus; video tapes; vehicle warning triangles; audio tapes; compact discs; holders for discs; cards bearing magnetic strips; calculators; electric couplings; levels; electric locks; radios; vehicle radios; batteries; battery starters; speed checking apparatus and instruments; battery cables; electricity connectors for sale in kit form; electrical terminals; water temperature regulators; probes for scientific purposes; ammeters; battery testers; terminals; gas detectors; flow meters; ohmmeters; pressure measurement tools; battery ground strap connectors; battery tie down connectors; conduit and wire protectors; emergency jump start apparatus; emergency jump start receptacle assemblies; voltage converters; mobile application software; downloadable mobile applications; mobile apps; telematic apparatus; global positioning systems (GPS); sensors for engines; starter cables for motors; electronic control systems for machines; parts and fittings for all the aforesaid goods.

12 – Vehicles; apparatus for locomotion by land, air or water, including drones; parts for vehicles; engines and motors for land vehicles; power transmi-

sions for land vehicles; transmissions for land vehicles; gear boxes for land vehicles; gears for land vehicles; propulsion mechanisms for land vehicles; axles for land vehicles; brakes for land vehicles; car-dan shafts for vehicles; clutches for land vehicles; couplings for land vehicles; drive shafts for land vehicles; shaft couplings for land vehicles; steering units for land vehicles; suspension systems for land vehicles; universal joints for land vehicles; parts and fittings for all the aforesaid goods.

37 – Building construction; repair services relating to vehicles, equipment, machines, engines and motors, generators, machine tools, and parts therefor; installation services relating to vehicles, equipment, machines, engines and motors, generators, machine tools, and parts therefor; repair, installation, maintenance, reconditioning and servicing of vehicles, equipment, machines, engines, motors and generators; repair, installation, maintenance and servicing of parts, fittings or components for vehicles, equipment, machines, engines, motors and generators; rental of construction machinery and engines therefor; reconditioning of industrial machinery and engines; machinery retrofit and conversion services; overhaul of engines; tuning of engines; remanufacturing (replacement and refurbishment) of engines; rebuilding engines; maintenance, servicing, tuning and repair of motors; advisory services relating to the installation of engines.

(260) AM 2020 103614 A

(800) 1471826

(151) 2019 04 17

(891) 2019 04 17

(731) EYE PHARMA S.P.A.

Via Borghero 9, I-16148 Genova, Italy

(540)

IALUTEC

(591) Black, white

(511)

3 – Cosmetic creams.

5 – Dietetic substances adapted for medical use; dietetic foods adapted for medical purposes, namely, food supplements based on liquid hyaluronic acid to be taken orally, as integration of the endogenous hyaluronic acid that is lost with aging.

(260) AM 2020 103621 A

(800) 1472014

(151) 2019 02 13

(891) 2019 02 13

(731) WENDENG MAXPOWER TOOLS GROUP
CO., LTD

8 Shenzhen Road, Wendeng City, 264400
Shandong, China

(540)



(591) Black, white

(531) 24.17.09; 26.05.02; 26.05.09; 26.05.24;
27.05.01; 28.03

(511)

8 – Nail extractors; wrenches [hand tools]; agricultural implements [hand-operated]; tongs; hand tools, hand-operated; garden tools [hand-operated]; gouges [hand tools].

(260) AM 2020 103622 A

(800) 1472019

(151) 2019 04 11

(891) 2019 04 11

(731) ALPEN PHARMA AG

Casinoplatz 2, CH-3011 Bern, Switzerland

(540)

LIBERTAL

(591) Black, white

(511)

5 – Dietetic substances and foodstuffs for medical or veterinary use, food for babies; food supplements for humans and animals; plasters, materials for dressings; material for dental fillings and dental impressions; disinfectants; products for destroying vermin; herbicides.

10 – Surgical, medical, dental and veterinary apparatus and instruments; artificial limbs, eyes and teeth; orthopedic articles; suture material; therapeutic and assistance devices designed for people with disabilities; massage apparatus; apparatus, devices and articles for child care; apparatus, devices and articles for sexual activities.

(260) AM 2020 103637 A

(800) 1472307

(151) 2019 02 20

(891) 2019 02 20

(731) Obshchestvo s ogranichennoy
tvetstvennostyu "INOI"Prenskaya nab., 12, etazh 44, ofis 4405.1,
pomeshchenie 9, RU-123112 Moscow,
Russian Federation

(540)

inoi

(591) Black, white

(531) 27.05.01

(511)

9 – 3D spectacles; DVD players; ticket dispensers; coin-operated musical automata [juke boxes]; fire

engines; answering machines; electrical adapters; batteries for electronic cigarettes; accumulators, electric; accumulators, electric, for vehicles; accelerometers; actinometers; alidades; altimeters; ammeters; anemometers; anodes; antennas; anticathodes; apertometers [optics]; high-frequency apparatus; testing apparatus not for medical purposes; remote control apparatus; electro-dynamic apparatus for the remote control of railway points; electro-dynamic apparatus for the remote control of signals; monitoring apparatus, electric; sound recording apparatus; Global Positioning System [GPS] apparatus; distillation apparatus for scientific purposes; diffraction apparatus [microscopy]; air analysis apparatus; apparatus to check franking; sound transmitting apparatus; apparatus for fermentation [laboratory apparatus]; breathing apparatus for underwater swimming; breathing apparatus, except for artificial respiration; apparatus and installations for the production of X-rays, not for medical purposes; cash registers; electric apparatus for commutation; Magnetic resonance imaging [MRI] apparatus, not for medical purposes; intercommunication apparatus; stills for laboratory experiments; projection apparatus; fire extinguishing apparatus; radiological apparatus for industrial purposes; X-ray apparatus not for medical purposes; blueprint apparatus; flashing lights [luminous signals]; stereoscopic apparatus; telephone apparatus; facsimile machines; phototelegraphy apparatus; igniting apparatus, electric, for igniting at a distance; acid hydrometers; salinometers; acidimeters for batteries; aerometers; beacons, luminous; battery jars; barometers; anode batteries; galvanic batteries; batteries for lighting; solar batteries; solar panels for the production of electricity; batteries, electric; balances [steelyards]; betatrons; binoculars; biochips; electronic tags for goods; lens hoods; magnetic tape units for computers; computer memory devices; fire hose nozzles; encoded identification bracelets, magnetic; connected bracelets [measuring instruments]; safety tarpaulins; electronic key fobs being remote control apparatus; bullet-proof clothing; signalling buoys; life buoys; marking buoys; directional compasses; vacuum gauges; electrolyzers; variometers; verniers; scales; baby scales; bathroom scales; letter scales; weighbridges; precision balances; scales with body mass analysers; levelling staffs [surveying instruments]; camcorders; video baby monitors; video cassettes; video telephones; video screens; viewfinders, photographic; sockets, plugs and other contacts [electric connections]; micrometer screws for optical instruments; viscosimeters; circuit closers; wavemeters; voltmeters; mechanical signs; signs, luminous; switchboxes [electricity]; current rectifiers; gas testing instruments; gasometers [measuring instruments]; galvanometers; hands-free kits for telephones; heliographic apparatus; hygrometers; hydrometers; weights; peepholes [magnifying lenses] for doors; holograms; plotters; loudspeakers; sounding

leads; plumb bobs; range finders; densimeters; densitometers; detectors; smoke detectors; infrared detectors; counterfeit [false] coin detectors; joysticks for use with computers, other than for video games; transparencies [photography]; slide projectors; diaphragms [photography]; dictating machines; dynamometers; light-emitting diodes [LED]; floppy disks; disks, magnetic; optical discs; circular slide rules; disk drives for computers; juke boxes for computers; wearable video display monitors; electronic numeric displays; DNA chips; electronic interactive whiteboards; electronic notice boards; electric wire harnesses for automobiles; bullet-proof waistcoats; life jackets; reflective safety vests; identification threads for electric wires; nose clips for divers and swimmers; locks, electric; bells [warning devices]; alarm bells, electric; electric door bells; signal bells; audio interfaces; acoustic conduits; mirrors for inspecting work; road signs, luminous or mechanical; marine depth finders; probes for scientific purposes; buzzers; needles for surveying compasses; needles for record players; eyewear; reflective articles for wear, for the prevention of accidents; measures; pressure measuring apparatus; simulators for the steering and control of vehicles; inverters [electricity]; pressure indicators; temperature indicators; incubators for bacteria culture; measuring instruments; cosmographic instruments; mathematical instruments; levelling instruments; instruments containing eyepieces; surveying instruments; azimuth instruments; interfaces for computers; ionization apparatus not for the treatment of air or water; satellite finder meters; spark-guards; coaxial cables; fibre [fiber (Am.)] optic cables; cables, electric; calipers; slide calipers; screw-tapping gauges; calorimeters; calculating machines; pocket calculators; decompression chambers; rearview cameras for vehicles; cinematographic cameras; thermal imaging cameras; mouth guards for sports; life-saving capsules for natural disasters; electronic pens [visual display units]; holders for electric coils; identity cards, magnetic; video game cartridges; toner cartridges, unfilled, for printers and photocopiers; encoded magnetic cards; riding helmets; protective helmets; carriers for dark plates [photography]; automated teller machines [ATM]; cathodes; spools [photography]; choking coils [impedance]; coils, electric; electromagnetic coils; cinematographic film, exposed; computer keyboards; solenoid valves [electromagnetic switches]; wire connectors [electricity]; thin client computers; encoded key cards; electronic book readers; electronic agendas; push buttons for bells; mouse pads; magnetic encoders; visors for helmets; collectors, electric; calibrating rings; smart rings; protective suits for aviators; commutators; compact discs [audio-video]; compact discs [read-only memory]; comparators; marine compasses; laptop computers; tablet computers; notebook computers; wearable computers; condensers [capacitors]; contacts, electric; wind

socks for indicating wind direction; traffic cones; branch boxes [electricity]; distribution boxes [electricity]; junction boxes [electricity]; connectors [electricity]; battery boxes; cabinets for loudspeakers; diving suits; galena crystals [detectors]; covers for electric outlets; logs [measuring instruments]; lasers, not for medical purposes; lactodensimeters; lactometers; vacuum tubes [radio]; darkroom lamps [photography]; thermionic tubes; amplifying tubes; flashlights [photography]; head cleaning tapes [recording]; magnetic tapes; videotapes; surveying chains; fire escapes; rulers [measuring instruments]; square rulers for measuring; slide-rules; contact lenses; correcting lenses [optics]; close-up lenses; optical lenses; optical condensers; sounding lines; electricity conduits; measuring spoons; magnifying glasses [optics]; thread counters; decorative magnets; crash test dummies; resuscitation mannequins [teaching apparatus]; mouse [computer peripheral]; pressure gauges; security tokens [encryption devices]; divers' masks; solderers' helmets; protective masks; respiratory masks, other than for artificial respiration; materials for electricity mains [wires, cables]; voting machines; money counting and sorting machines; material testing instruments and machines; furniture especially made for laboratories; megaphones; portable media players; diaphragms [acoustics]; diaphragms for scientific apparatus; metal detectors for industrial or military purposes; digital weather stations; metronomes; rules [measuring instruments]; carpenters' rules; dressmakers' measures; mechanisms for coin-operated apparatus; mechanisms for counter-operated apparatus; coin-operated mechanisms for television sets; shutter releases [photography]; micrometers; microprocessors; microscopes; microtomes; microphones; audio mixers; modems; lightning conductors [rods]; monitors [computer hardware]; monitors [computer programs]; selfie sticks [hand-held monopods]; terminals [electricity]; junction sleeves for electric cables; teeth protectors; temperature indicator labels, not for medical purposes; knee-pads for workers; headphones; surveyors' levels; sound recording carriers; optical data media; electronic sheet music, downloadable; computer software, recorded; sheaths for electric cables; identification sheaths for electric wires; weighing machines; computer hardware; punched card machines for offices; life saving apparatus and equipment; shoes for protection against accidents, irradiation and fire; objectives [lenses] [optics]; lenses for astrophotography; selfie lenses; egg-candlers; fire extinguishers; rescue laser signalling flares; electrified fences; limiters [electricity]; clothing for protection against accidents, irradiation and fire; clothing for protection against fire; asbestos clothing for protection against fire; clothing especially made for laboratories; ozonisers [ozonators]; octants; eyepieces; ohmmeters; wrist rests for use with computers; eyeglass frames; oscillographs; plumb lines; mirrors [optics]; eyeglas-

ses; sunglasses; goggles for sports; electronic collars to train animals; finger sizers; signalling panels, luminous or mechanical; radio pagers; pince-nez; electronic pocket translators; transmitters [telecommunication]; telephone transmitters; transmitters of electronic signals; switches, electric; periscopes; gloves for divers; gloves for protection against accidents; gloves for protection against X-rays for industrial purposes; asbestos gloves for protection against accidents; furnaces for laboratory use; pipettes; pyrometers; planimeters; plane tables [surveying instruments]; plates for batteries; computer software platforms, recorded or downloadable; wafers for integrated circuits; printed circuit boards; compact disc players; cassette players; protective films adapted for computer screens; protective films adapted for smartphones; sound recording strips; X-ray films, exposed; films, exposed; life-saving rafts; laboratory trays; digital signs; semi-conductors; polarimeters; personal digital assistants [PDAs]; fire pumps; measuring glassware; life belts; fuses; circuit breakers; converters, electric; telerupters; food analysis apparatus; diagnostic apparatus, not for medical purposes; distance recording apparatus; distance measuring apparatus; speed measuring apparatus [photography]; appliances for measuring the thickness of leather; apparatus for measuring the thickness of skins; speed checking apparatus for vehicles; teaching apparatus; time recording apparatus; apparatus and instruments for astronomy; surveying apparatus and instruments; weighing apparatus and instruments; nautical apparatus and instruments; navigational instruments; optical apparatus and instruments; apparatus and instruments for physics; chemistry apparatus and instruments; measuring apparatus; measuring devices, electric; boiler control instruments; meteorological instruments; naval signalling apparatus; observation instruments; navigation apparatus for vehicles [on-board computers]; satellite navigational apparatus; regulating apparatus, electric; Telecommunication apparatus in the form of jewellery; precision measuring apparatus; audio- and video-receivers; prisms [optics]; computer software applications, downloadable; printers for use with computers; hemline markers; retorts' stands; apparatus for changing record player needles; drainers for use in photography; cleaning apparatus for sound recording discs; fire beaters; telescopic sights for firearms; telescopic sights for artillery; test tubes; pressure indicator plugs for valves; magnetic wires; telegraph wires; telephone wires; wires, electric; conductors, electric; copper wire, insulated; fuse wire; computer programmes [programs], recorded; computer game software; computer programs [downloadable software]; computer operating programs, recorded; computer screen saver software, recorded or downloadable; record players; processors [central processing units]; rods for water diviners; electronic publications, downloadable; dis-

tribution consoles [electricity]; control panels [electricity]; radar apparatus; baby monitors; masts for wireless aerials; transmitting sets [telecommunication]; radios; vehicle radios; sprinkler systems for fire protection; frames for photographic transparencies; screens for photoengraving; flowmeters; walkie-talkies; voltage surge protectors; voltage regulators for vehicles; stage lighting regulators; speed regulators for record players; cell switches [electricity]; washing trays [photography]; marking gauges [joinery]; T-squares for measuring; time switches, automatic; relays, electric; safety restraints, other than for vehicle seats and sports equipment; X-ray photographs, other than for medical purposes; rheostats; respirators for filtering air; retorts; refractometers; refractors; grids for batteries; security surveillance robots; laboratory robots; teaching robots; humanoid robots with artificial intelligence; speaking tubes; horns for loudspeakers; subwoofers; saccharometers; optical fibers [fibres] [light conducting filaments]; traffic-light apparatus [signalling devices]; dog whistles; signalling whistles; sports whistles; sextants; inductors [electricity]; safety nets; nets for protection against accidents; fire alarms; signals, luminous or mechanical; sirens; electronic access control systems for interlocking doors; scanners [data processing equipment]; hand-held electronic dictionaries; integrated circuit cards [smart cards]; smartglasses; smartphones; smartwatches; connections for electric lines; sonars; sound locating instruments; lighting ballasts; resistances, electric; spectrograph apparatus; spectroscopes; speed indicators; alcoholmeters; satellites for scientific purposes; protection devices for personal use against accidents; audiovisual teaching apparatus; charging stations for electric vehicles; radiotelegraphy sets; radiotelephony sets; spectacle lenses; anti-glare glasses; optical glass; personal stereos; stereoscopes; stands for photographic apparatus; stroboscopes; fire boats; sulfimeters; bags adapted for laptops; drying racks [photography]; spherometers; integrated circuits; printed circuits; counters; parking meters; kilometer recorders for vehicles; revolution counters; abacuses; egg timers [sandglasses]; taximeters; ear plugs for divers; tachometers; television apparatus; telegraphs [apparatus]; telescopes; teleprompters; teleprinters; cordless telephones; cellular phones; theodolites; interactive touch screen terminals; thermohygrometers; thermometers, not for medical purposes; thermostats; thermostats for vehicles; crucibles [laboratory]; tone arms for record players; totalizers; transistors [electronic]; transponders; protractors [measuring instruments]; transformers [electricity]; step-up transformers; resuscitation training simulators; vehicle breakdown warning triangles; triodes; starter cables for motors; discharge tubes, electric, other than for lighting; capillary tubes; neon signs; Pitot tubes; X-ray tubes not for medical purposes; telephone receivers; squares for measuring;

gauges; quantity indicators; automatic indicators of low pressure in vehicle tires [tyres]; gasoline gauges; water level indicators; electric loss indicators; light-emitting electronic pointers; slope indicators; levels [instruments for determining the horizontal]; mercury levels; spirit levels; urinometers; amplifiers; particle accelerators; electric installations for the remote control of industrial operations; steering apparatus, automatic, for vehicles; balancing apparatus; video recorders; sound reproduction apparatus; invoicing machines; tape recorders; protection devices against X-rays, not for medical purposes; railway traffic safety appliances; data processing apparatus; oxygen transvasing apparatus; theft prevention installations, electric; film cutting apparatus; drying apparatus for photographic prints; optical character readers; centering apparatus for photographic transparencies; dosage dispensers; battery chargers; chargers for electric batteries; chargers for electronic cigarettes; acoustic alarms; sounding apparatus and machines; editing appliances for cinematographic films; cathodic anti-corrosion apparatus; couplers [data processing equipment]; wearable activity trackers; anti-theft warning apparatus; computer peripheral devices; anti-interference devices [electricity]; demagnetizing apparatus for magnetic tapes; acoustic couplers; alarms; fog signals, non-explosive; whistle alarms; adding machines; readers [data processing equipment]; heat regulating apparatus; photocopiers [photographic, electrostatic, thermic]; electric and electronic effects units for musical instruments; bar code readers; downloadable ring tones for mobile phones; downloadable image files; downloadable music files; animated cartoons; filters [photography]; filters for respiratory masks; filters for ultraviolet rays, for photography; USB flash drives; magic lanterns; optical lamps; signal lanterns; cameras [photography]; glazing apparatus for photographic prints; shutters [photography]; darkrooms [photography]; photometers; flash-bulbs [photography]; digital photo frames; enlarging apparatus [photography]; photovoltaic cells; containers for contact lenses; eyeglass cases; containers for microscope slides; cases for smartphones; cases especially made for photographic apparatus and instruments; chromatography apparatus for laboratory use; chronographs [time recording apparatus]; laboratory centrifuges; eyeglass chains; cyclotrons; compasses for measuring; frequency meters; time clocks [time recording devices]; Petri dishes; sleeves for laptops; covers for personal digital assistants [PDAs]; covers for tablet computers; covers for smartphones; fire blankets; chips [integrated circuits]; jigs [measuring instruments]; pedometers; meteorological balloons; electrified rails for mounting spot lights; asbestos screens for firemen; fire hose; virtual reality headsets; protective helmets for sports; head guards for sports; cell phone straps; eyeglass cords; tripods for cameras; switchboards; distribution boards [electricity];

equalizers [audio apparatus]; screens [photography]; workmen's protective face-shields; projection screens; radiology screens for industrial purposes; fluorescent screens; exposure meters [light meters]; ducts [electricity]; galvanic cells; downloadable graphics for mobile phones; epidiascopes; ergometers; armatures [electricity]; black boxes [data recorders].

(260) AM 2020 103641 A
 (800) 693321
 (151) 1998 04 17
 (891) 2019 05 24
 (731) ROBERT BOSCH GMBH
 Stuttgart, Germany
 (540)

BOSCH

(591) Black, white
 (511)
 28 – Games, playthings; gymnastic and sporting articles (as far as included in this class).

(260) AM 2020 103643 A
 (800) 787099
 (151) 2002 07 23
 (891) 2019 05 07
 (731) ACM
 17 rue de Neuilly, Impasse Passoir, F-92110
 CLICHY, France
 (540)

NOVIDERM

(591) Black, white
 (511)
 3 – Cosmetic products for skin care, cosmetic creams, lotions for cosmetic purposes, tissues impregnated with cosmetic lotions, beauty masks, make-up removing products, soaps, medicated soap, cleansing milk, almond oil for cosmetic purposes, oils for cosmetic purposes, almond oil, cosmetic preparations for slimming purposes, sunscreen products, astringents for cosmetic purposes, cosmetic preparations for baths, cotton sticks for cosmetic purposes, creams for whitening the skin, perfumery goods, essential oils, cosmetics, hair lotions, dentifrices.

(260) AM 2020 103644 A
 (800) 920788
 (151) 2007 01 26
 (891) 2019 05 24
 (731) Internationale Vereinigung der
 Bergführerverbände (IVBV)
 Moränehubel, Badweidli, CH-3780 Gstaad,
 Switzerland

(540)



(591) Black, white
 (531) 01.05.02; 06.01.02; 26.01.05; 26.01.21;
 27.01.01

(511)
 9 – Apparatus and instruments for mountain rescue and for searches in case of an avalanche not included in other classes.

22 – Ropes; tents, nets, tarpaulins and bags, not included in other classes.

25 – Clothing, footwear, headgear.

28 – Mountaineering articles, not included in other classes, especially skis, seal skins, ski bindings and climbing harnesses.

(260) AM 2020 103646 A
 (800) 972653
 (151) 2007 12 07
 (891) 2019 05 08
 (731) ÇANAKÇILAR SERAMİK SANAYİ VE
 TİCARET ANONİM ŞİRKETİ
 Çukurköyü, Gökçebey, Zonguldak, Turkey

(540)

CREAVİT

(591) Black, white
 (531) 27.05.01; 27.05.17
 (511)

11 – Apparatus for water supply and sanitary purposes; bathtubs, bathtubs for sitz baths, baths (spa) [vessels], bidets, seats (toilets), showers, sinks, sitz baths, toilet seats, toilet bowls, toilets (water closets), wash-hand basins (part of sanitary installations), wash-hand bowls, washing coppers, hand drying apparatus for washrooms, water supply installations, watering installations, water intake apparatus, water distribution installations.

(260) AM 2020 103704 A
 (800) 1472511
 (151) 2019 05 02
 (891) 2019 05 02
 (731) BAYER CONSUMER CARE AG
 Peter Merian-Strasse 84, CH-4052 Basel,
 Switzerland

(540)



(591) Red, white and silver
 (531) 26.04.04; 26.04.05; 26.04.18; 26.04.24;
 27.05.01; 27.05.24; 29.01.13

(511)
 5 – Pharmaceutical preparations and substances.

(260) AM 2020 103709 A
 (800) 1472665
 (151) 2018 10 03
 (891) 2018 10 03
 (731) KRZYSZTOF ADAMCZYK
 ul. Gen. St. Skalskiego 5/15, PL-03-982
 WARSZAWA, Poland

(540)



(591) Black, white
 (531) 07.05.02; 27.05.01; 27.05.15
 (511)

1 – Chemical preparations for soldering; silicones; adhesives for industrial purposes; chemical agents for impregnating wood and concrete; adhesives for wall tiles; adhesives for wallpapering; adhesives for repair and assembly; thermo-fusible adhesives; acrylics; renovating chemicals for silicone; grout renovation chemicals; adhesives for tiles and terracotta; adhesives for gres and clinker tiles; adhesives for marble; adhesives for stones; adhesives for gypsum plasterboards; adhesives for cement boards; adhesives for gypsum-fiber boards; adhesives for perlite boards; adhesives for thermal insulations; adhesives for mineral wool; adhesives for expanded polystyrene; adhesives for facades; assembly glues; primers for gypsum plasters; primers for cement plasters; primers for gypsum-carton boards, perlite boards; primers for floors and facades; epoxy bonding agents; solvents for paints; solvents for paints; bonding agents for heat gun welding; gypsum-based adhesives; adhesives for grouting, masking, bracing, reinforcing and joining non-metal boards for the construction industry; putties for used for construction work; putties and finishing coats for mixing; ready to use putties and finishing coats; roof renovation putties; putties and finishing coats for gypsum and gypsum and calcareous plasters; putties and finishing coats for plasterboard, for perlite boards;

solder paste; flux; soft soldering pastes; glue for PVC; cleaning fluid for PVC; putties; putties for concrete repair; asphalt glue; assembly glues; gap-filling adhesives; surface putties; facade putties; repair putties for use in construction industry; chemicals for impregnating wood and concrete; chemical agents; chemical fuel performance additives; chemical agents for impregnating wood.

2 – Paints; spray paints; wood stains; varnishes; coloring concentrates for paints; interior acrylic and latex paints; interior water hydrophobic paints; primer paints; facade paints; roof paints; fire protection paints; varnishes; varnish-stains and thin layer stains for wood; pigments for paints; mixed paints; epoxy paints; thickeners; priming pastes; anti-corrosion coatings; protective coatings for radiators, floors and furniture; protective coatings for floors and concrete.

3 – Cleaning and washing agents used in industry; emery paper; polishing paper; liquids and powders for surface scrubbing and cleaning of surface from mortar, oil and concrete; cleaning cosmetics for cars; car scents; sandpaper in sheets; sandpaper in rolls; sanding mesh in sheets; abrasive float; abrasive pads; abrasive blocks; Velcro sanding discs; abrasive discs with fiber; abrasive meshes-sanding discs; abrasive discs; abrasive sponges; grinding pads; abrasive felt.

4 – Wood briquettes; briquetted coal; coal; heavy oil; coke; lighting gas; biomass fuel; firelighters; industrial lubricants; peat; automotive oils; automotive lubricants.

6 – Metal construction materials; metal structural elements; metal girders; metal ladders; aluminum ladders; metal connectors for wooden structures; metal connectors for plastic structures; metal ceilings; metal beams; metal ceiling beams; sheet metal; metal paneling; metal plates for construction industry; metal roof coverings; metal wire; barbed wire; tension wire; metal screws construction; metal screws for dry walls; metal doors; metal foils; nails; angle steel; metal structures for construction industry; metal trussing; metal chains; metal chimney-pots; metal door frames; metal trim; metal fittings; metal window frames; metal transport pallets; metal rings; threaded rings; metal connectors; metal floor panels; metal containers for packaging; metal gangways; metal rods; metal water conduits; metal ceiling sections; metal hangers; metal ceiling connectors; metal sections for walls and metal door frames; angle bars for metal door frame sections; aluminum corners; metal sections for thermal insulations; metal corners with mesh for thermal insulations; metal corners for plastering; flush-mounted metal battens; plastering mesh; reinforcing mesh for thermal insulations; metal hatches; inspection metal frames and doors; external metal blinds; metal pipelines; metal pipes; metal scaffoldings; aluminum scaffoldings;

metal construction extension cords; drum construction extension cords; metal fence posts; steel; metal rails; metal signboards; metal wall paneling; strip steel; metal locks and closures; metal sections; aluminum sections; metal gutters; metal rods; metal structure reinforcing and strengthening frames; metal construction fittings; carpentry hardware; steel lines and ropes; chain links; metal hinges; latches; padlocks; metal locks; metal supports; metal inspection doors; metal connecting angle bars; metal supports; metal connectors; metal inspection doors; metal connecting angle bars; metal supports; steel and steel products; metal door accessories; metal window accessories; agricultural and forest wire mesh; garden wire mesh; galvanized wire mesh; metal wire; metal gates and wickets; metal toolboxes; metal containers for small construction equipment; anchors for hammering; special purpose anchors; steel anchors with screw; steel anchors; screws; bolts; washers; nuts; mounting brackets for conduits; mounting brackets for pipes; mounting dowels; metal sections; nails; bolts; dowels; welding wires; turnbuckles; shackles; tensioners; cotter pins; swivels; metal tie bands; roofing sheet; ramps; soft solder; hard solder; upholsterer's staples; metal gutter pipes.

7 – Electric or mechanical tools and machines; drill bits; blades as machine parts; gas burners for metal cutting; slotting machines; glass-working diamonds; manual woodworking machines; 3d printers; welding device electrodes; milling machines; power generators; drills; threaders; hydraulic motors and turbines; flap valves; pulleys; cranks; gas and electric soldering tools; bearings; electric mixers; electric blenders; mechanical hammers; electric knives; blades for electric devices for cutting polystyrene boards; electric sharpeners; electrical equipment for mixing paints and mortars; electric devices for cutting polystyrene boards; painting units; painting guns; airless piston pumps; saws-machine parts; chain saws; blowguns; guns for extrusion of sealing compound and PU foam; glue dosing guns; spray guns; plastering guns; pneumatic oil guns; nail guns; sandblasting guns; mechanical jacks; pumps-as machines; machine lifting jacks; cutters-tools with other than manual drive; earthmoving machinery; tarring machines; arc and electric welders; compressors; nozzles; resistance soldering tools; transformer soldering tools; soldering stations; soldering tool tips; bulldozers; electric grinders; mechanical drills; electric turning lathes; mechanical kneaders; road rollers; electric drills; cranes for lifting and hoisting; concrete mixers; mechanical concrete cutters; asphalt cutters; hammer drills; impact hammers; impact and rotary hammers; demolition hammers; non-impact drills; impact drills; angular drills; bench drills; cordless drill-drivers; cordless screwdrivers; cord screwdrivers; pneumatic drills; impact wrenches; cord screwdrivers for plasterboard; electric

mortar mixers; electric jigsaws; cordless jigsaws; cord jigsaws; bench jigsaws; circular saw blades; mini circular saws; plunge saws; electric chainsaws; electric sawing machines with outreach; cordless sawing machines; miter saws; bench saws for wood; multifunction devices for cutting wood; bench cutters for metal; saber saws; electric plate shears; angle grinders; belt grinders; oscillatory grinders; multifunction grinders; cordless multi-function grinders; bench grinders; eccentric grinders; gypsum grinders; polishing machines; milling machines; straight grinders; workshop vacuum cleaners; industrial vacuum cleaners; universal vacuum cleaners; simple power generators; inverter power generators; electric chip extractors; wood lathes; metal lathes; column jacks; trapeze jacks; hydraulic jacks; electric hoists; oil compressors; oil-free compressors; spray guns for painting; hot glue guns; lubricators; pneumatic drills; pneumatic hammers; pneumatic wrenches; blow-through guns; inflation guns; pneumatic grinders; pressure hoses; pressure regulators; valves; filters; inverter welding machines; multi-function welders; welding machines; semi-automatic welders; electric pumps; circular saws; tool for execution of construction works; mechanically driven discs for crushing concrete; electric tiling tools; tile cutting machines; sawing machines; pneumatic jacks; compressors; wheel pumps; mechanical garden machines; spare parts and accessories for garden equipment; friction disks; drill chucks; grinding tools; electric staple guns; thermal knives; heat gun nozzles; riveting machines; soldering tools; welding electrodes; electric tiling tools; cultivators; working heads for power tools; sweepers; pulleys; washers; vacuum cleaners and shredders; vehicle oil filters; timing belts; oil filters; wire brushes; desoldering pumps; soldering apparatus.

8 – Manual tools; manual drills; wire cutters; blades-tool parts; chisels; chisels and point chisels; bevelers for wood and metal; milling cutters; stirrers; drill bit sharpeners; drill bit sets; abrasive disk mounts; coarse files; glass-working diamonds as tool parts; milling cutters; connectors for carpentry works; levers; rakes; threaders; bench vices; adjustable wrenches; socket wrench set; socket wrench set with ratchet; socket wrench set with ratchet in a toolbox; socket adapters; reducers for socket wrenches; knobs for socket wrenches; extensions for sockets; extensions for bits; extensions for sockets with ball joint; ratchets; open-end wrenches; box-end wrenches; combination open-end & box-end wrenches; wrench sets; eye wrench sets; angled box-end wrenches; sets of angled and bilaterally angled box-end wrenches; combination open-end & socket wrenches; adjustable wrenches; adjustable wrench set; six point sockets; universal sockets; Spline sockets; long sockets; Torx bits on socket; Spline bits on socket; six point bits on socket; Allen bits on socket; socket set; Torx socket set; female Torx socket set; Spline

socket set; Allen socket set; socket and wrench set; torque wrenches; L-Hex Allen wrenches; Torx wrenches; Torx wrench set; oil filter wrench; hexagonal wrenches; lug wrenches; spider lug wrenches; universal wrenches; cabinet keys; open end eye wrenches; spark plug wrenches; short mandrel wrenches; long mandrel wrenches; L-type pierced socket wrench; adjustable pipe wrenches; hydraulic fittings wrenches; adjustable pipe wrenches; hook wrenches; bearing pullers; manual mowers; manual hammers; rubber hammers; locksmith's hammers; stonemason's hammers; tiling hammers; woodworking hammers; bricklayer's hammers; tinner's hammers; recoilless hammers; carpenter's hammers; welding hammers; wooden hammers; hammer set; ring wedges for handles; wedges for handles; wedge sets for handles tool trays; snow shovels; ratchet screwdrivers with various bits; screwdriver sets; screwdrivers with bits; front cutter pliers; elongated straight pliers; bent pliers; insulation pliers; pipe pliers; snap pliers; universal pliers; side pliers; long pliers; clamping pliers; welding pliers; front cutter pliers; plasterer's pliers; slip-joint pliers; pliers for sheet metal; phone terminal pliers; insulation removers; copper cable cutters; rivet pliers; straight sheet metal benders; cambered sheet metal benders; panel guillotines; side riveters; 2in1 riveters; nail setters; pin punches; pin punch sets; punches for leather; flat chisels for wood; rounded chisels for wood; chisel set; sculptor's chisel set; chisel sharpening kit; hand scrapers; hand planes; scraper blades; plane blades; carpenter's spring clamps; carpenter's screw clamps; C-type spring clamps; F-type clamps; carpenter's corner clamps; band clamps; door frame spreaders; door frame spreaders set; panel pulling ledges; C-type clamp set; F-type clamp set; upholsterer's manual staplers; upholsterer's staple removers; upholstery staples; pipe wrenches; copper pipe cutters; PVC pipe cutters; knives; trapezoidal blade knives; brake-off blade knives; trapezoidal blades for hand tools; hook blades for hand tools; brake off blades for hand tools; special carpet and template knives with set square; round blade wallpaper knives; round blade carpet knives; windowpane knives; round blades for hand tools; multi shears; shears; scissors; plate shears; bar cutter; straight shears; right extended straight shears; left extended straight shears; fitter's shears; multi-purpose knives; knives for mineral wool; pincers; carpenter's pincers; fitter's bolt pincers; plug clamps; whetstones; hand blades; manual spray paint guns; pumping guns; painting sets; hand saws; garden shears; axes; miter boxes; planes; manual grinding tools; drills as tools; grinding discs; diamond discs; stone cutting discs; metal cutting discs; stainless steel cutting discs; drill bits and hole saws set; hole saw bits for wood set; set of tungsten hole saw bits for concrete; drill bits for metal; drill bits for concrete; grinding stones; hatchets; compactors; drill bits; clamps; wrenches; hammers; screwd-

rivers; saws; jigsaws; hacksaws; wet wood saws; taps and dies, individually and in sets; chisels; wood files; metal files; file sets; carpenter's clamps; whetstones for sharpening; metal electrode handles; drill bits; drill bits for gres, tiles and glass; trowels; squeezers for silicone; stirrers; tile cutting knives; painter's scrapers; rakes; spades; shovels; pitchforks; garden shears; wallpaper pasting machine; rasp for polystyrene foam; miter boxes for cutting at an angle; saw plus miter box set; angular saw; PU foam metering guns; glue metering guns; glue cartridges for glue gun; pincers for clamping sections for gypsum plasterboards; pincers; pliers; side pliers; flat-head screwdrivers; cross-head screwdrivers; screwdriver with bits sets; screwdriver bits; handle for bits; screwdrivers for electrical work; various purpose steel hammers; rubber hammers; files of various type and purpose; file sets; handles with suction cup; taps and dies; threading dies; manual drills; jigsaw blades; saber saw blades; stands and guides; hex wrench sets; bricklayer's tool sets; securing belts in sets; re-bar tying tools; reinforcement bar tiers; nail remover bars; steel punchers; bench vices; axes; ax handles; pickax handles; rakes; rake handles; spades with handle; spade handle; shovels with handle; shovel handle; ice irons; shovels; small tools – shears, rakes, hoes, trowels; garden hand saws; crowbars; garden shears; saws for gypsum plasterboards; tools for cutting holes in gypsum plasterboards; manual metal cutting saws; metal cutting saw frames; metal cutting saw blade; wood cutting hand saw; bow saw; ceramics cutting saws; hand saws; frame metal cutting saws; general purpose hand saws; hacksaws; frame saws; gypsum-carton cutting saws; jigsaws; miter boxes; miter boxes with saws; concrete blocks cutting saws; Japanese saws; miter saws; saw blades; blades with handle; bow saw blades; planes; handles for carrying plasterboards; hole saws-sets; pincers for setting dowels in gypsum-carton boards; tool kits for flooring panels installation; caulk guns; devices for mixing components; metal mesh sleeves; pins for chemical anchors; threaded rods; hole cleaning rods; pumps for blowing out bore dust; hooks, snap-hooks, rings used in building construction; clamps; planes; bench planes; manual hoists; car fitter's wrenches; bricklayer's hammers; locksmith's hammers; carpenter's hammers; tinner's hammers; hammer handles; pressure rollers with handle for wallpapering; putty knives for wallpapering; chalk lines; chalk line with chalk; bricklayer's line; construction stirrers; manual stirrers; brick trowels; corner trowels; grout trowels; floats; serrated floats; scoops; copper pipe cutters; copper cleaner; shears for plastic pipes; guillotines for cutting tiles; spare wheels for guillotine cutter; tongs for tiles; hammers for tiles; hole saws for tiles plus file as a set; jigsaws for tiles; tungsten saw for tiles; suction cup for tiles; grouting floats; tiling sponges; rubber tiling hammer; float for silicone grouting; grout scraper; tile grou-

ting float; cross tile spacers; wedge tile spacers; tiling sets comprising trowel, float with rubber, serrated float, stirrer, scrapers, floor scrapers with handle and brush drill attachments; polystyrene floats; polystyrene floats with sponge; plastic floats; floats with sponge, natural rubber, felt or rubber; floats with rasp; floats with hydro-sponge lining; spares for floats with linings; grouting floats; painter's putty knives; serrated painter's putty knives; serrated putty knives for glue; multi-purpose putty knives; aluminum scrapers for gypsum-carton boards; upholsterer's staplers; shovels.

9 – Alarms; intruder alarms; fire alarms; antennas; fuses; gas pressure sensors; gas leak detectors; laser distance meters; scales; water levels; water level tubes; electric wires; drum extension cords; electrical measuring equipment; fire extinguishers; electrical installations; electrical cables; electrical switches; electrical sockets; frames for electrical sockets; electrical socket sets; electrical switch sets; back-lighting LEDs; dimmers; electric dimmer; motion sensors; electric socket; electric switch; socket covers; switch covers; solar collectors; electrified fences; traffic cones; electrical distribution cabinets; electrical wiring terminals; electric locks; electrical connectors; protective clothing; face shields; protective gloves; safety harness; harness for work in suspension; welding helmets; protective overalls; protective goggles; fire extinguishers; extension cables and sockets; car radios; car players; rectifiers; sunglasses; high visibility jackets; electrical probes; illuminated signboards; high visibility jackets; protective helmets; protective glasses and goggles; breathing masks; dust masks; rechargeable batteries; garden extension cords; paint and varnish testers; rectifiers; jump leads; hydrophores; adapters; distance meters; rulers; slide calipers; electronic slide calipers; angle bars; woodworker's protractors; steel protractors; bevels; roof angle plates; micrometers; folding measures; tape measures; measuring tapes; feeler gages; levels; electronic levels; laser levels; cross laser levels; plane lasers; cross lasers; rotary lasers; laser detector; thermo-detector; laser equipment stands; optical levels; hygrometers; manual scales; inspection cameras; inspection endoscopes; wire terminals; earth terminals; spirit levels; connectors; lightning protection system; climate control equipment and installations; batteries; on-board video recorders; car fuses; emergency triangles; plumb lines; wooden measuring sticks; tape measures; measuring tapes; slide calipers; water levels with hose; spirit levels; construction squares; adjustable squares; traversing rules; grouting level; magnets for mounting tiles; electrical cables.

11 – Lighting lamps; ordinary bulbs; halogen bulbs; led bulbs; balcony, terrace and garden lighting; construction lamps (halogen lamps); halogen lamps with stand; construction lamps (fluorescent lamp tubes);

fluorescent lighting tubes with stand; cooling apparatus and equipment; fittings for central heating boilers; boilers; central heating installations and radiators; cooling apparatus and equipment; heat exchangers; water distribution installations; sanitary fittings; gas conduits and gas installations safety devices; heaters; shower cabins; flues; WC bowls; chimney extractors; heating boilers; lighting lamps; lavatory bowls; lavatory flushers; air heaters; toilets; bathtubs; ventilation extractors; water supply installations; heat accumulators; steam accumulators; lighting fixtures; flashlights; barbecue grills and accessories; car bulbs; irrigation automation equipment; electric heat guns; air filters; fireplaces.

12 – Wheelbarrows; transport trolleys; power trucks; wheel for industrial trucks; car windshield wipers; car seat covers; car spare wheel bags; child seats; car cigarette lighters; tires; car wheel rims; car racks; license plate frames; steering wheel covers; brake discs, pads and shoes; wheel covers.

16 – Paper tapes; packing tapes; adhesive tapes; garbage bags; paper towels; corrugated cardboard; corrugated cardboard in rolls; stretch film in rolls; bubble wrap; car window stickers; paint rollers; paint rollers with handle; rollers for painting walls; sets of painting accessories for painting surfaces; stirrers for paints; paint brushes; paint brush sets for painting surfaces; pencils; crayons; paint rollers; painter's trays; waste bags; rubble bags; spiked roller with handle for screeds; tiling sets comprising rolls; cardboard boxes; file boxes; sponge stamp sets for painting work.

17 – Painter's films; metal insulating foils, metal insulating foils for packing goods; plastic foils not for packaging; insulating tapes; insulating paper; adhesive tapes for use in construction industry; self-adhesive tapes for use in construction industry; adhesive and self-adhesive tapes not for home, medical or office use; sealing strips for windows and doors; non-metallic warning tapes against danger; masking tapes; various purpose painter's tapes; foam tapes for sound and other insulation; foam tapes used for dry walls; plastic bags used in construction works; plasters for acoustic and heat insulation; masking tapes; sealing tapes; foam tapes; insulating fluids; insulating foils; insulating tapes; wool for thermal insulation in construction; polyurethane sealants; dual-component hydro-insulating agents; single-component hydro-insulating agents; resins in tubes; insulating membranes for construction purposes; sanitary lute; fire-resistant seal; sealing kits for water and gas; sealing tapes for water and gas; sealing threads; glass fiber tapes and sheets for construction work; tape and sheets of cellulose, viscose, non-fusible interlining; masking tapes; insulating tapes; joining tapes for gypsum-carton boards; corner tapes for gypsum-carton plasterboards; sealing-dampening tapes; acoustic tapes; sliding tapes; dilation tapes; separa-

tion tapes; floor sealing-tapes; tapes with aluminum, metal, plastic insert; lead tapes for dry walls; roofing tapes; nonwoven mulching fabric foils; construction tapes; insulating building board; window self-adhesive foil in rolls; sealing tapes; polyurethane foams; painter's films; insulating and noise-damping mats; mineral wool; insulations; masking bands; electrical tape; masking tape; masking tape.

18 – Garden umbrellas; umbrellas.

19 – Non-metal construction materials; non-metal connecting angle bars; non-metal angle bars for external and internal corners wrapped in the form of a roll; angle bars for external and internal corners; facade mesh; non-metal brackets; non-metal connectors for use in construction; building glass; bituminous products for the construction industry; non-metal structural elements; non-metal girders; non-metal scaffolding; non-metal ceilings; non-metal walls; non-metal reinforcements for the construction industry; non-metal building boards; plaster; lime; non-metal roof finishing elements; non-metal roof structural elements; non-metal construction trim; non-metal floors; non-metallic covers and coatings for the construction industry; non-metal strips; strips for trimming wallpaper; chalk for lines; felt for construction; binding materials for briquette production; bituminous paste; bituminous primer; coating pastes; prefabricated partition panels; gypsum cups for use in construction; ready to use gypsum pastes; containers for construction purposes; dispersive pastes; protective roofing pastes; formulations for roof renovation; roof protective coatings; building plaster; gypsum finish; grouts for filling space between tiles, non-metal; construction panels, plasterboards and plaster-carton boards; sliding pastes; thread pastes; non-stick tapes; fire resistant lines; soft soldering pastes; reinforcing tapes in the form of a strip of paper; reinforcement material; plastic bands used in construction works; polyvinyl chloride (PVC) bands used for construction work; plastic, natural or mixed bands for grouting; gypsum-cardboard boards; plastic, natural and mixed tapes and sheets for construction applications; tapes and sheets of non-woven polypropylene fabric; tapes and sheets of non-woven fabric; spackling compounds; acrylate and resin bands designed for embedding in putty, plaster, in gypsum mortars, gypsum and calcareous mortars, in bricklaying mortars for use in building; mesh; construction foils in rolls; construction foils in sheets; protective felt in rolls; reinforced gypsum plaster pastes; fire retardant gypsum plasters; manual and machine-applied internal gypsum; plasters; manual and machine-applied internal cement and calcareous plasters; internal mosaic plasters; external acrylic plasters; external mineral plasters; external mosaic plasters; external silicate plasters; external silicone plasters; external siloxane plasters; prefabricated non-metal components; reinforced paper;

plastics used in construction; asphalt roofing paper; gypsum boards; plaster-carton boards; plaster-non-woven boards; plasterboards reinforced with fibers; cement boards; perlite building boards; internal wall and ceiling panels; external wall and ceiling panels; floor boards; waterproof boards; fire retardant boards; heavy duty building boards; flexible boards; acoustic boards; special boards; ceiling boards; non-metal terrace sections; non-metal tapes for joining building boards, plaster, plaster-carton and ceiling boards; non-metal meshes and tapes for the construction industry; tapes for grouting ceramic tiles and plaster and plaster-carton boards; composite foils and tapes, and cottons used in construction; plastic and composite foils and tapes used in construction; composite and plastic tapes, coated with textiles, textile or cotton or viscose fleece, for use in the construction industry; non-metal protective tapes for construction; non-metal decorative tapes applied in the construction industry; paper and plastic protective tapes used in construction; gypsum; styluses; magnetic holders for mounting tiles; distance profiles for clinker bricks; water wipers for use in buildings (terms too vague in the opinion of the International Bureau – Rule 13 (2) (b) of the Common Regulations); wall inspection covers; non-metal grating; bucket wheels for use in construction (terms too vague in the opinion of the International Bureau – Rule 13 (2) (b) of the Common Regulations); gypsum-carton boards; polystyrene boards; foam boards; elastic coats for roofs; chimneys; chimney liners; chimney and fireplace pipes; coatings for windows and doors; chloro-rubber coats; mortars for concrete repairs; lining; plastic gutters; expanded polystyrene; roofing paper; bricks; concrete blocks; wooden boards and wooden slats used in construction; silicone bricks; chamotte bricks; solid bricks; structural clay tiles; airbricks; chimney concrete blocks; concrete masonry units; cellular concrete blocks; Ytong blocks; chamotte tiles; fireplace tiles; lintels; cellular concrete insulation boards; cement; ready mortar; lime; sand; lightweight expanded clay aggregate; facade expanded polystyrene; floor expanded polystyrene; foundation expanded polystyrene; water-resistant expanded polystyrene; plaster mesh; thermal insulation dowels; flanges for dowels; window slats and sections; adhesive mortar for expanded polystyrene and mesh; anhydrite, cement screeds; repair-leveling screeds; self-leveling screeds; epoxy floors; non-metal ceiling sections; section hangers; non-metal ceiling connectors; non-metal sections for walls and door frames; non-metal angle bars for door frame sections; non-metal sections for thermal insulations; non-metal corners with mesh for thermal; rosin; binder; reinforcement prefabricated units; priming roofing paper; surface roofing paper; bituminous shingle in roll; bituminous shingle fiat tile; bituminous boards; polycarbonate boards; PVC boards; clay roofing tile; roof membranes; crests;

roofing brackets; downspouts, plastic; gutters; straight joints; elbows and tees canalization; gutter corners and settling tanks; gutter plugs and connectors; gutter mountings and gutter handle; drainage channels; drainage wells; non-metal grates; plastic mesh; epoxy grouts; decorative grouts; cement grouts; assembly mortars; roofing sealants; fireplace sealants; wooden terraces; wooden pathways; wooden driveways; boards; terrace boards, garden sheds and gazebos; umbrella roofs; fences; pergolas; wooden lattice; garden pavilions; doghouses; wooden entrance doors; wooden shed doors; fire doors; door frames; PVC windows; wooden windows; roof windows; skylights; external sills; internal sills.

20 – Wooden ladders; plastic ladders; non-metal furniture connectors; furniture accessories; wall hangers; shelving; wooden supports; tables; chairs; wall-papering tables; non-metal shields ad covers; garden furniture; patio furniture; plastic expansion anchors with screw; plastic expansion anchors; wooden anchors for hammering; non-metal dowels; wooden crates; metal and aluminum renovation sawhorses; toolboxes; portable toolboxes; tool organizers; tool racks; plastic expansion anchors with screw; plastic expansion anchors; metal furniture legs; dowels for installation of polystyrene boards; covers for clothes; plastic crates; crates; felt pads; non-metal lids.

21 – Brushes; cleaning brushes for pipes of various diameters; container inserts; vacuum bags for food; sweeping brushes; mops; buckets; watering cans; water tanks; scoops; flowerpots; sprinklers for crops and lawn watering; sprinkler connectors; waste bins; drainage grating; telescopic sticks for house chores and painting; trays; buckets; buckets with rollers; textile boxes; baskets of various sizes; collapsible containers; lids; brooms; industrial brushes and brooms; home use brooms; cleaning sets for home use; scrubbing brushes; wooden broomsticks; wooden, plastic and metal sticks with thread for brooms; floor cloths; brushes for wallpapering; polishing felt; steel wool; steel brooms; tiling sets comprising bucket; bird feeders.

22 – Ropes; cables; cords; strings; agricultural strings; household monofilament lines; straps; rubber ropes; shipping straps; cargo lashing straps; felt pads; non-metal connectors for use in construction (terms too vague in the opinion of the International Bureau – Rule 13 (2) (b) of the Common Regulations); towing cables; protective plastic tarpaulins; flax-tow; cottons used for construction work; canopies.

24 – Non-metal mosquito nets.

25 – Protective footwear; protective caps; rubber-soled felt insulated boots; rubber boots; insoles for working boots; socks; painter's protective clothing; protective earmuffs.

26 – Thimbles; buckles; Velcros.

27 – Non-metal wall coverings; mats; floor mats.

28 – Knee pads.

35 – Telemarketing; procurement of contracts for others relating to the sale of goods; import-export agencies; advertising agencies; market analyses; market research; marketing; presentation of goods; sales promotion for third parties; advertising via computer networks, radio, television, newspapers; organization of fairs for commercial and advertising purposes; copywriting; providing an on-line marketplace for buyers and sellers of goods and services; commercial orders managements; business advisory services; operating on-line marketplaces for sellers of goods and services, mail order sales services for chemical preparations for soldering, silicones, adhesives for industrial purposes, chemical agents for impregnating wood and concrete, adhesives for wall tiles, adhesives for wallpapering, adhesives for repair and assembly, thermo-fusible adhesives, acrylics, renovating chemicals for silicone, epoxy grouts, decorative grouts, cement grouts, grout renovation chemicals, adhesives for tiles and terracotta, adhesives for gres and clinker tiles, adhesives for marble, adhesives for stones, adhesives for gypsum plasterboards, adhesives for cement boards, adhesives for gypsum-fiber boards, adhesives for perlite boards, adhesives for thermal insulations, adhesives for mineral wool, adhesives for expanded polystyrene, adhesives for facades, assembly glues, assembly mortars, roofing sealants, fireplace sealants, polyurethane sealants, primers for gypsum plaster, primers for cement plaster, primers for gypsum plasterboards, perlite boards, primers for floors and facades, dual-component hydro-insulating agents, single-component hydro-insulating agents, epoxy primers, epoxy bonding agents, resins in tubes, paints, spray paints, wood stains, varnishes, impregnates for wood and concrete, solvents for paints, coloring concentrates for paints, impregnates, interior acrylic and latex paints, interior water hydrophobic paints, primer paints, facade paints, roof paints, fire protection paints, solvents for paints, varnishes, varnish-stains and thin layer stains for wood, paint and varnish testers, pigments, mixed paints, epoxy paints, cleaning and washing agents used in industry, emery paper, polishing paper, liquids and powders for surface scrubbing and cleaning of surface from mortar, oil and concrete, car cosmetics, car scents, wood briquettes, briquetted coal, coal, heavy oil, coke, lighting gas, biomass fuel, firelighters, industrial lubricants, peat, automotive oils, automotive lubricants, fuel performance additives, metal construction materials, metal structural elements, metal girders, metal ladders, aluminum ladders, metal connectors for wooden structures, metal connectors for plastic structures, metal ceilings, metal beams, ceiling beams, sheet metal, metal paneling, metal plates for

construction industry, metal roof coverings, metal wire, barbed wire, tension wire, metal screws, metal screws for dry walls, metal doors, metal foils, nails, angle steel, metal structures for construction industry, trussing, metal chains, metal chimney-pots, metal door frames, metal trim, metal fittings, metal window frames, metal transport pallets, metal rings, threaded rings, metal connectors, metal floor panels, metal containers for packaging, metal gangways, metal rods, metal water conduits, metal ceiling sections, metal hangers, metal ceiling connectors, metal sections for walls and metal door frames, angle bars for door frame sections, aluminum corners, metal sections for thermal insulations, metal corners with mesh for thermal insulations, metal corners for plastering, flush-mounted metal battens, plastering mesh, reinforcing mesh for thermal insulations, hatches, inspection frames and doors, external metal blinds, metal pipelines, metal pipes, metal scaffoldings, aluminum scaffoldings, metal construction extension cords, metal and aluminum renovation sawhorses, drum construction extension cords, metal fence posts, steel, metal rails, metal signboards, metal wall paneling, strip steel, metal locks and closures, metal sections, aluminum sections, metal gutters, rods, structure reinforcing and strengthening frames, metal construction fittings, carpentry hardware, steel lines and ropes, chain links, metal hinges, latches, padlocks, metal locks, metal supports, metal inspection doors, metal connecting angle bars, metal supports, metal connectors, metal inspection doors, metal connecting angle bars, metal supports, steel and steel products, metal door accessories, metal window accessories, agricultural and forest wire mesh, garden wire mesh, galvanized wire mesh, metal wire, metal gates and wickets, metal toolboxes, metal containers for small construction equipment, electric or mechanical tools and machines, drill bits, blades as machine parts, gas burners for cutting, slotting machines, glass-working diamonds, manual woodworking machines, 3d printers, welding device electrodes, milling machines, power generators, drills, threaders, hydraulic motors and turbines, flap valves, pulleys, cranks, electric and IC powered mowers, gas and electric soldering tools, bearings, electric mixers, electric blenders, mechanical hammers, electric knives, blades for electric devices for cutting polystyrene, boards, electric sharpeners, electrical equipment for mixing paints and mortars, electric devices for cutting polystyrene boards, painting units, painting guns, airless piston pumps, saws, machine parts, chain saws, blowguns, guns for extrusion of sealing compound and PU, foam glue dosing guns, spray guns, plastering guns, pneumatic oil guns, nail guns, sandblasting guns, mechanical jacks, pumps as machines, machine lifting jacks, cutters, tools with other than manual drive, earthmoving machinery, tarring machines, arc and electric welders, compressors, nozzles, resistance soldering tools, transformer

soldering tools, soldering stations, soldering tool tips, bulldozers, electric grinders, mechanical drills, electric turning lathes, mechanical kneaders, road rollers, electric drills, cranes for lifting and hoisting, concrete mixers, thickeners, mechanical concrete cutters, asphalt cutters, hammer drills, impact hammers, impact and rotary hammers, demolition hammers, non-impact drills, impact drills, angular drills, bench drills, cordless drill-drivers, cordless screwdrivers, cord screwdrivers, pneumatic drills, impact wrenches, cord screwdrivers for plasterboard, electric mortar mixers, electric jigsaws, cordless jigsaws, cord jigsaws, bench jigsaws, circular saw blades, mini circular saws, plunge saws, electric chainsaws, electric sawing machines with outreach, cordless sawing machines, miter saws, bench saws for wood, multifunction devices for wood, bench cutters for metal, IC powered chain saws, saber saws, electric plate shears, angle grinders, belt grinders, oscillatory grinders, multi-function grinders, cordless multi-function grinders, bench grinders, eccentric grinders, gypsum grinders, polishing machines, planes, bench planes, milling machines, straight grinders, workshop vacuum cleaners, industrial vacuum cleaners, universal vacuum cleaners, simple power generators, inverter power generators, electric chip extractors, wood lathes, metal lathes, column jacks, trapeze jacks, hydraulic jacks, manual hoists, electric hoists, rectifiers, jump leads, oil compressors, oil-free compressors, spray guns for painting, hot glue guns, lubricators, pneumatic drills, pneumatic hammers, pneumatic wrenches, blow-through guns, inflation guns, pneumatic grinders, pressure hoses, pressure regulators, valves, filters, inverter welding machines, multi-function welders, welding machines, semi-automatic welders, electric pumps and hydrophones, circular saws, tool for execution of construction works, mechanically driven discs for cutting metal and concrete, electric tiling tools, tile cutting machines, electric and IC powered mowers, sawing machines, pneumatic jacks, compressors, wheel pumps, IC and electric powered garden machines, spare parts and accessories for garden equipment, manual tools, manual drills, metal toolboxes, portable toolboxes, tool organizers, tool racks, wire cutters, blades-tool parts, friction disks, chisels, chisels and point chisels, bevelers for wood and metal, milling cutters, stirrers, drill bit sharpeners, drill bit sets, drill chucks and adapters, abrasive disk mounts, grinding tools and coarse files, glass-working diamonds as tool parts, milling cutters, plastic expansion anchors with screw, plastic expansion anchors, anchors for hammering, special purpose anchors, steel anchors with screw, steel anchors, screws, bolts, washers, nuts, mounting brackets for conduits, mounting brackets for pipes, worm drive clamps, nylon clamps, carpentry connectors, levers, rakes, threaders, bench vices, adjustable wrenches, socket wrench set, socket wrench set with ratchet, socket wrench set with rat-

chet in a toolbox, socket adapters, reducers for socket wrenches, knobs for socket wrenches, extensions for sockets, extensions for bits, extensions for sockets with ball joint, ratchets, open-end wrenches, box-end wrenches, combination open-end and box-end wrenches, wrench sets, eye wrench sets, angled box-end wrenches, sets of angled and bilaterally angled box-end, wrenches, combination open-end and socket wrenches, adjustable wrenches, adjustable wrench set, six point sockets, universal sockets, Spline sockets, long sockets, Torx bits on socket, Spline bits on socket, six point bits on socket, Allen bits on socket, socket set, Torx socket set, female Torx socket set, Spline socket set, Allen socket set, socket and wrench set, torque wrenches, L-Hex Allen wrenches, Torx wrenches, Torx wrench set, oil filter wrench, hexagonal wrenches, lug wrenches, spider lug wrenches, universal wrenches, cabinet keys, open end eye wrenches, spark plug wrenches, short mandrel wrenches, long mandrel wrenches, L-type pierced socket wrench, tap insert keys, adjustable pipe wrenches, hydraulic fittings wrenches, adjustable pipe wrenches, hook wrenches, bearing pullers, manual mowers, manual hammers, rubber hammers, locksmith's hammers, stonemason's hammers, tiling hammers, woodworking hammers, bricklayer's hammers, tinner's hammers, recoilless hammers, carpenter's hammers, welding hammers, wooden hammers, hammer set, hammer stocks, ring wedges for handles, wedges for handles, wedge sets for handles, tool trays, snow shovels, ratchet screwdrivers with various bits, screwdriver sets, screwdrivers with bits, front cutter pliers, elongated straight pliers, bent pliers, insulation pliers, pipe pliers, snap pliers, universal pliers, side pliers, long pliers, clamping pliers, welding pliers, front cutter pliers, plasterer's pliers, slip-joint pliers, pliers for sheet metal, phone terminal pliers, insulation removers, copper cable cutters, rivet pliers, straight sheet metal benders, cambered sheet metal benders, panel guillotines, side riveters, 2in1 riveters, nail setters, pin punches, pin punch sets, punches for leather, distance meters, rulers, slide calipers, electronic slide calipers, angle bars, woodworker's protractors, steel protractors, bevels, roof angle plates, micrometers, folding measures, tape measures, measuring tapes, feeler gages, levels, electronic levels, laser levels, cross laser levels, plane lasers, cross lasers, rotary lasers, laser detector, thermo-detector, laser equipment stands, optical levels, hygrometers, manual scales, inspection cameras, inspection endoscopes, flat chisels for wood, rounded chisels for wood, chisel set, sculptor's chisel set, chisel sharpening kit, hand scrapers, hand planes, scraper blades, plane blades, carpenter's spring clamps, carpenter's screw clamps, C-type spring clamps, F-type clamps, carpenter's corner clamps, band clamps, door frame spreaders, door frame spreaders set, panel pulling ledges, C-type clamp set, F-type clamp set, upholsterer's manual staplers, elec-

tric staple guns, upholsterer's staple removers, upholstery staples, thermal knives, bonding agents for heat gun welding, heat gun nozzles, pipe wrenches, copper pipe cutters, PVC pipe cutters, knives, trapezoidal blade knives, brake-off blade knives, trapezoidal blades, hook blades, brake off blades, special carpet knives with set square, for stencils, round blade wallpaper knives, round blade carpet knives, windowpane knives, round blades, multi shears, shears, scissors, plate shears, bar cutter, straight shears, right extended straight shears, left extended straight shears, fitter's shears, multi-purpose knives, knives for mineral wool, pincers, carpenter's pincers, fitter's bolt pincers, plug clamps, whetstones, hand blades, manual spray paint guns, pumping guns, painting sets, hand saws, garden shears, axes, miter boxes, planes, manual grinding tools, drills as tools, grinding discs, diamond discs, stone cutting discs, metal cutting discs, stainless steel cutting discs, drill bits and hole saws set, hole saw bits for wood set, tungsten hole saw bits for concrete set, drill bits for metal, drill bits for concrete, grinding stones, hatchets, compactors, drill bits, clamps, mounting dowels, metal sections, nails, bolts, dowels, wrenches, hammers, screwdrivers, saws, jigsaws, hacksaws, wet wood saws, taps and dies, individually and in sets, riveting machines, soldering tools, chisels, wood files, metal files, file sets, carpenter's clamps, whetstones for sharpening, welding electrodes, welding wires, wire terminals, electrode handles, earth terminals, drill bits, drill bits for gres, tiles and glass, electric tiling tools, trowels, silicone squeezers, stirrers, spirit levels, tile cutting knives, paint rollers, painter's trays, painter's scrapers, rakes, spades, shovels, pitchforks, slants, garden shears, cultivators, wallpaper pasting machine, rasp for polystyrene foam, miter boxes for cutting at an angle, saw plus miter box set, angular saw, PU foam metering guns, glue metering guns, glue cartridges for glue gun, pincers for clamping sections for gypsum, plasterboards, pincers, pliers, side pliers, flat-head screwdrivers, cross-head screwdrivers, screwdriver with bits sets, screwdriver bits, handle for bits, screwdrivers for electrical work, various purpose steel hammers, rubber hammers, files of various type and purpose, file sets, handles with suction cup, taps and dies, threading dies, manual drills, jigsaw blades, saber saw blades, stands and guides, working heads for power tools, hex wrench sets, bricklayer's tool sets, securing belts in sets, re-bar tying tools, reinforcement bar tiers, nail remover bars, steel punchers, bench vices, axes, ax handles, pickax handles, rakes, rake handles, spades with handle, spade handle, shovels with handle, shovel handle, ice irons, sweepers, shovels, small tools – shears, rakes, hoes, trowels, garden hand saws, crowbars, traps, garden shears, saws for gypsum plasterboards, tools for cutting holes in gypsum plasterboards, manual metal cutting saws, metal cutting saw frames, metal cutting saw

blade, wood cutting hand saw, bow saw, ceramics cutting saws, hand saws, frame metal cutting saws, general purpose hand saws, backsaws, frame saws, gypsum-carton cutting saws, jigsaws, miter boxes, miter boxes with saws, concrete blocks cutting saws, Japanese saws, miter saws, saw blades, blades with handle, hex wrench sets, bricklayer's tool sets, securing belts in sets, re-bar tying tools, reinforcement bar tiers, nail remover bars, steel punchers, bench vices, axes, ax handles, pickax handles, rakes, rake handles, spades with handle, spade handle, shovels with handle, shovel handle, ice irons, sweepers, shovels, small tools-shears, rakes, hoes, trowels, garden hand saws, crowbars, traps, garden shears, saws for gypsum plasterboards, tools for cutting holes in gypsum plasterboards, manual metal cutting saws, metal cutting saw frames, metal cutting saw blade, wood cutting hand saw, bow saw, ceramics cutting saws, hand saws, frame metal cutting saws, general purpose hand saws, backsaws, frame saws, gypsum-carton cutting saws, jigsaws, miter boxes, miter boxes with saws, concrete blocks cutting saws, Japanese saws, miter saws, saw blades, blades with handle, bow saw blades, planes, handles for carrying plasterboards, hole saws-sets, pincers for setting dowels in plasterboards, tool kits for flooring panels installation, caulk guns, mixing attachments, mesh sleeves, pins for chemical anchors, threaded rods, hole cleaning rods, pumps for blowing out bore dust, turnbuckles, hooks, snap-hooks, pulleys, rings, thimbles, clamps, buckles, connectors, shackles, tensioners, cotter pins, swivels, metal tie bands, roofing sheet, lightning protection system, metal gutter pipes, alarms, intruder alarms, fire alarms, antennas, fuses, gas pressure sensors, gas leak detectors, laser distance meters, scales, water levels, water level tubes, electric wires, drum extension cords, electrical measuring equipment, fire extinguishers, electrical installations, electrical cables, electrical switches, electrical sockets, frames for electrical sockets, electrical socket sets, electrical switch sets, back-lighting LEDs, dimmers, dimmer badges, motion sensors, socket badges, switch badges, socket covers, switch covers, solar collectors, electrified fences, traffic cones, electrical distribution cabinets, electrical wiring terminals, electric locks, electrical connectors, protective clothing, face shields, protective gloves, safety harness, harness for work in suspension, welding helmets, protective overalls, protective goggles, fire extinguishers, extension cables and sockets, car radios, car players, rectifiers, sunglasses, high visibility jackets, electrical probes, illuminated signboards, painter's protective clothing, high visibility jackets, protective helmets, protective earmuffs, protective glasses and goggles, breathing masks, dust masks, painter's masks, knee pads, rechargeable batteries, garden extension cords, washers, vacuum cleaners and shredders, lighting lamps, ordinary bulbs, halogen bulbs, LED bulbs, balcony, terrace

and garden lighting, construction lamps – halogens, construction lamps with stand – halogens, construction lamps – fluorescent tubes, construction lamps with stand – fluorescent tubes, cooling apparatus and equipment, fittings for central heating boilers, boilers, central heating installations and radiators, cooling apparatus and equipment, heat exchangers, water distribution installations, fittings, gas conduits and gas installations safety devices, heaters, shower cabins, flues, climate control equipment and installations, WC bowls, chimney extractors, heating boilers, taps, lighting lamps, lavatory bowls, lavatory flushers, air heaters, toilets, bathtubs, ventilation extractors, water supply installations, heat accumulators, steam accumulators, lighting fixtures, batteries, flashlights, barbecue grills and accessories, car bulbs, irrigation automation equipment, electric heat guns, wheelbarrows, transport trolleys, power trucks, wheel for industrial trucks, metal furniture legs, car windshield wipers, car seat covers, car wheel bags, child seats, car cigarette lighters, tires, rims, on-board video recorders, car racks, car fuses, car fitter's wrenches, emergency triangles, license plate frames, steering wheel covers, towing cables, ramps, vehicle oil filters, accessory belts, timing belts, brake discs, pads and shoes, wheel covers, oil filters, air filters, paper tapes, packing tapes, adhesive tapes, garbage bags, paper towels, corrugated cardboard, corrugated cardboard in rolls, stretch film in rolls, bubble wrap, car window stickers, paint rollers, paint rollers with handle, special paint rollers for corners, pipes, stripes and windows, painting kit, tray plus roller with handle plus spare, painting kit, tray plus roller with handle, special paint rollers, leather, daisy-wheel, spiked, with drip cap, paint tray sets, special painting sets with tray for painting corners, edges and pipes, mini painting sets, handles for paint rollers, painting sets: stick plus handle plus roller, painting sets: tray plus roller with handle plus, masking tape, painting sets: tray plus roller with handle plus, masking tape, painting sets: tray plus roller with handle plus brush, painting sets: tray plus two rollers and brush, painting sets: tray plus handle plus three rollers plus, stirrer, paint brushes, paint brush sets, handles for paint rollers, pencils, crayons, painter's films, metal and insulating foils, plastic foils not for packaging, insulating tapes, insulating paper, adhesive tapes for use in construction industry, self-adhesive tapes for use in construction industry, adhesive and self-adhesive tapes not for home, medical or office use, sealing strips for windows and doors, non-metallic warning tapes, non-metallic packing tapes, masking tapes, specialized tapes, various purpose painter's tapes, foam tapes for sound and other insulation, foam tapes used for dry walls, plastic bags for use in construction works, waste bags, rubble bags, plasters for acoustic and heat insulation, masking tapes, sealing tapes, foam tapes, insulating fluids, insulating foils, protective films, protective

plastic tarpaulins, insulating tapes, wool for thermal insulation in construction, gardening hoses for watering, window mesh against insects, window seals in roll and cut, waste containers, non-metal construction materials, non-metal connecting angle bars, non-metal angle bars for external and internal, corners wrapped in the form of a roll, angle bars for external and internal corners, dowels for installation of polystyrene boards, facade mesh, non-metal brackets, non-metal connectors, building glass, bituminous products for the construction industry, non-metal structural elements, construction scoops with handle, bricklayer's hammers, locksmith's hammers, carpenter's hammers, tinner's hammers, hammer handles, non-metal girders, non-metal scaffolding, non-metal ceilings, non-metal walls, non-metal reinforcements for the construction industry, non-metal building boards, plaster, lime, non-metal roof finishing elements, non-metal roof structural elements, non-metal construction trim, non-metal floors and wall coverings, non-metallic covers and coatings for the construction industry, non-metal strips, strips for trimming wallpaper, brushes for wallpapering, pressure rollers with handle for wallpapering, putty knives for wallpapering, plumb lines, chalk lines, chalk line with chalk, chalk for lines, bricklayer's line, bricklayer's strand, felt for construction, binding materials for briquette production, bituminous paste, bituminous primer, coating pastes, wood impregnants, protective and coloring insulating membranes for construction purposes, prefabricated partition panels, gypsum cups, gypsum-based adhesives, adhesives for grouting, masking, bracing, reinforcing and joining non-metal boards for the construction industry, putties for use for construction work, ready to use gypsum pastes, construction stirrers, manual stirrers, containers for construction purposes, brick trowels, corner trowels, grout trowels, floats, serrated floats, scoops, putties and finishing coats for mixing, ready to use putties and finishing coats, dispersive pastes, roofing pastes-putty knives, formulations for roof renovation, roof protective coatings, roof renovation putties, putties and finishing coats for gypsum and gypsum, and calcareous plasters, putties and finishing coats for plasterboard, for perlite boards, building plaster, gypsum finish, wooden measuring sticks, tape measures, measuring tapes, slide calipers, water levels with hose, spirit levels, construction squares, adjustable squares, traversing rules, grouts for filling space between tiles, non-metal, construction panels, plasterboards and plaster-carton boards, sliding pastes, thread pastes, sanitary lute, non-stick tapes, flax-tow, fire-resistant seal, sealing kits for water and gas, sealing tapes for water and gas, sealing threads, kits for soldering copper tubes, anaerobic pastes, soft solder, solder paste, flux, fire resistant lines, soft soldering pastes, hard solder, reinforcing tapes in the form of a strip of paper, reinforcement material, plastic bands used

in construction works, Polyvinyl chloride (PVC) bands used for construction work, plastic, natural or mixed bands for grouting, gypsum-cardboard boards, plastic, natural and mixed tapes and sheets for construction applications, tapes and sheets of non-woven polypropylene fabric, tapes and sheets of non-woven fabric, sliding pastes for PVC, glue for PVC, cleaning fluid for PVC, glass fiber tapes and sheets for construction work, cellulose, viscose, interlining and cotton tapes and sheets used for construction work, acrylate and resin bands designed for embedding in, putty, plaster, in gypsum mortars, gypsum and calcareous mortars, in bricklaying mortars, masking tapes, warning tapes, insulating tapes, joining tapes for gypsum-carton boards, corner tapes for gypsum-carton plasterboards, sealing-dampening tapes, acoustic tapes, sliding tapes, dilation tapes, separation tapes, floor sealing-tapes, tapes with aluminum, metal, plastic insert, lead tapes for dry walls, roofing tapes, mesh, nonwoven mulching fabric foils, construction tapes and foils in rolls, construction foils in sheets, protective felt in rolls, insulating building board, window self-adhesive foil in rolls, reinforced gypsum plaster pastes, fire retardant gypsum plasters, manual and machine-applied internal gypsum, plasters, manual and machine-applied internal cement and calcareous plasters, internal mosaic plasters, external acrylic plasters, external mineral plasters, external mosaic plasters, external silicate plasters, external silicone plasters, external siloxane plasters, prefabricated non-metal components, reinforced paper, sandpaper in sheets, sandpaper in rolls, sanding mesh in sheets, abrasive float, abrasive pads, abrasive blocks, Velcro sanding discs, abrasive discs with fiber, abrasive meshes-sanding discs, polishing felt, abrasive discs, abrasive sponges, grinding pads, abrasive felt, steel wool, steel brooms, plastics used in construction, asphalt roofing paper, gypsum boards, plaster-carton boards, plaster-non-woven boards, plasterboards reinforced with fibers, cement boards, perlite building boards, internal wall and ceiling panels, external wall and ceiling panels, floor boards, waterproof boards, fire retardant boards, heavy duty building boards, flexible boards, acoustic boards, X-ray panels, special boards, ceiling boards, sealing tapes, non-metal terrace sections, non-metal tapes for joining building boards, plaster, plaster-carton and ceiling boards, non-metal meshes and tapes for the construction industry, tapes for grouting ceramic tiles and plaster and plaster-carton boards, composite foils and tapes, and cottons used in construction, plastic and composite foils and tapes used in construction, composite and plastic tapes, coated with textiles, textile or cotton or viscose fleece, for use in the construction industry, non-metal protective tapes for construction, non-metal decorative tapes applied in the construction industry, paper and plastic protective tapes used in construction, priming pastes, putties, gypsum, copper pipe cutters,

copper cleaner, shears for plastic pipes, guillotines for cutting tiles, spare wheels for guillotine cutter, styluses, tongs for tiles, hammers for tiles, hole saws for tiles plus file as a set, jigsaws for tiles, tungsten saw for tiles, suction cup for tiles, grouting floats, tiling sponges, rubber tiling hammer, float for silicone grouting, grout scraper, grouting level, tile grouting float, cross tile spacers, wedge tile spacers, magnets and magnetic holders for mounting tiles, distance profiles for clinker bricks, water wipers, wall inspection covers, spiked roller with handle for screeds, tiling sets: bucket, rolls, trowel, float with rubber, serrated float, stirrer, grating, bucket wheels, tube squeezers, open squeezers, wire brushes, scrapers, floor scrapers with handle, brush drill attachments, gypsum-carton boards, polystyrene boards, foam boards, anti-corrosion coatings, elastic coats for roofs, chimneys, fireplaces and chimney liners, chimney and fireplace pipes, coatings for windows and doors, protective coatings for radiators, floors and furniture, protective coatings for floors and concrete, chloro-rubber coats, mortars and putties for concrete repairs, polystyrene floats, polystyrene floats with sponge, plastic floats, floats with sponge, natural rubber, felt or rubber, lining, floats with rasp, floats with hydro-sponge lining, spares for floats with linings, grouting floats, plastic gutters, polyurethane foams, painter's films, insulating and noise-damping mats, expanded polystyrene, roofing paper, asphalt glue, bricks, concrete blocks, wooden boards and wooden slats used in construction, non-metal mosquito nets, silicone bricks, chamotte bricks, solid bricks, structural clay tiles, air bricks, chimney concrete blocks, concrete masonry units, cellular concrete blocks, Ytong blocks, chamotte tiles, fireplace tiles, lintels, cellular concrete insulation boards, cement, ready mortar, lime, sand, lightweight expanded clay aggregate, facade expanded polystyrene, floor expanded polystyrene, foundation expanded polystyrene, water-resistant expanded polystyrene, mineral wool, plaster mesh, thermal insulation dowels, flanges for dowels, window slats and sections, adhesive mortar for expanded polystyrene and mesh, assembly glues, gap-filling adhesives, surface putties, facade putties, painter's putty knives, serrated painter's putty knives, serrated putty knives for glue, multi-purpose putty knives, anhydrite and cement screeds, repair-leveling screeds, self-leveling screeds, epoxy floors, aluminum scrapers for gypsum-carton boards, upholsterer's staplers and staples, non-metal ceiling sections, section hangers, non-metal ceiling connectors, non-metal sections for walls and door frames, non-metal angle bars for door frame sections, non-metal sections for thermal insulations, non-metal corners with mesh for thermal insulations, rosin, binder, desoldering pumps, reinforcement prefabricated units, priming roofing paper, surface roofing paper, bituminous shingle in roll, bituminous shingle flat tile, bituminous boards,

polycarbonate boards, PVC boards, clay roofing tile, roof membranes, crests, roofing brackets, downspouts, plastic, gutters, intakes, straight joints, elbows, tees, gutter corners and settling tanks, gutter plugs and connectors, gutter mountings and stabilizers, drainage channels, drainage wells, grates, lids, well covers, plastic mesh, repair putties for use in construction industry, wooden ladders, plastic ladders, non-metal furniture connectors, furniture accessories, wall hangers, shelving, wooden supports, tables, chairs, garden umbrellas, wallpapering tables, wooden terraces, wooden pathways, wooden driveways, boards, terrace boards, landings, garden sheds, umbrella roofs, canopies, mats, shields ad covers, fences, pergolas, wooden lattice, umbrellas, garden pavilions, garden furniture, patio furniture, doghouses, bird feeders, wooden entrance doors, wooden shed doors, fire doors, door frames, masking bands, PVC windows, wooden windows, roof windows, skylights, external sills, internal sills, plastic expansion anchors with screw, plastic expansion anchors, wooden anchors for hammering, non-metal dowels, wooden crates, brushes, cleaning brushes for pipes of various diameters, container inserts, vacuum bags, vacuum bags with pump, covers for clothes, sweeping brushes, mops, buckets, watering cans, water tanks, scoops, shovels, water wipers, flowerpots, sprinklers for crops and lawn watering, sprinkler connectors, floor mats, waste bins, drainage grating, telescopic sticks for house chores and painting, trays, buckets, buckets with rollers, plastic crates, cardboard boxes, file boxes, textile boxes, baskets of various sizes, collapsible containers, crates, lids, brooms, industrial brushes and brooms, home use brooms, brush plus dust tray sets, scrubbing brushes, wooden broomsticks, wooden, plastic and metal sticks with thread for brooms, floor cloths, sponge stamp sets for painting work, ropes, cables, electrical cables, electrical tape, Velcros, cords, strings, agricultural strings, household monofilament lines, straps, rubber ropes, rubber rope binders, shipping straps, cargo lashing straps, felt pads, non-metal connectors, protective footwear, protective caps, rubber-soled felt insulated boots, rubber boots, insoles for working boots, socks.

37 – Construction of houses; construction of industrial facilities; services of repair and renovation of industrial facilities, residential buildings and stores, fair pavilions; construction supervision; insulation of buildings; painting of premises; plastering; assembly of scaffolding; installation of heating, plumbing and air conditioning systems.

(260) AM 2020 103710 A
 (800) 1472667
 (151) 2019 05 13
 (891) 2019 05 13
 (731) JIANGXI AVONFLOW HVAC TECH

CO., LTD.
 XURI AREA, SHANGRAO ECONOMIC
 DEVELOPMENT ZONE, JIANGXI
 PROVINCE, China

(540)

AVONFLOW
艾芬达

(591) Black, white

(531) 28.03

(511)

11 – Water purifying apparatus and machines; drying apparatus and installations; water purification installations; water filtering apparatus; radiators, electric; filters for drinking water; air reheaters; air dryers; air-conditioning installations.

(260) AM 2020 103711 A

(800) 1472669

(151) 2019 03 13

(891) 2019 03 13

(731) TELADOC HEALTH, INC.

2 Manhattanville Road, Suite 203, Purchase
 NY 10577, USA

(540)



(591) Black, white

(531) 26.01.01; 26.01.04; 26.01.24; 26.11.12

(511)

9 – Downloadable software, namely, software application for use in connection with providing telehealth, telemedicine, remote care, and virtual health care services; downloadable software based on artificial intelligence for use in providing medical diagnoses, treatment recommendations, and medical care; downloadable software containing artificial intelligence for use in the fields of medicine and health care.

35 – Consulting services concerning employee benefits plans and employee health and wellness plans; administrative services relating to physician referral services; administrative services relating to hospital referral services; scheduling medical appointments for others; operation of medical call centers that provide healthcare information and services via the Internet, telephone and other means; electronic medical records management services; providing phy-

sician directories and hospital and health plan directories; telehealth marketing services.

42 – Providing non-downloadable software via a web site for use in connection with providing telehealth, telemedicine, remote care, and virtual health care services; providing temporary use of non-downloadable software for patients and healthcare providers to use in collaborating, monitoring, managing, tracking, and communicating concerning health care, wellness, nutrition, lifestyle management, and disease treatment and management; providing temporary use of non-downloadable software for automating and providing medical referrals; providing an online, Internet-based application to enable users to access telemedicine services featuring the use of artificial intelligence in making diagnoses and providing medical care; software as a service (SaaS) services featuring software for use in healthcare data analytics; application service provider featuring software for use by healthcare payers, providers, employers, and carriers for the purpose of financial and healthcare data analytics; software as a service (SaaS) services featuring software for use in data warehousing, mining, monitoring and management of electronic health records, and analysis of health and medical information for use by healthcare payers, providers, employers and carriers; providing software-as-a-service (SaaS) services for healthcare providers for the storage and maintenance of patient information and medical records, the provision of telemedicine, telehealth and virtual care services, and for the collection, management and reporting of information for insurance and benefits verification and for claims submission.

44 – Medical services, namely, providing medical services and consultation over the telephone and via the Internet through the use of personal computers, smartphones, tablets, mobile and wireless devices, and other telecommunication devices; providing telehealth, telemedicine, remote care, and virtual health care services; providing health and medical information and nutrition and wellness information via a web site; providing mental health and counseling services; providing expert medical opinion services and medical second opinion services; providing medical diagnosis services; providing chronic care management services; storing and maintaining personal medical history records and files.

(260) AM 2020 103721 A
(800) 1473067
(151) 2019 02 20
(891) 2019 02 20
(731) BUONTUTTO S.R.L.

Via Principe di Villafranca 50, I-90141
Palermo PA, Italy

(540)

BUONGIORNO E TANTE BELLE COSE

(591) Black, white

(511)

18 – Bags; handbags; shopping bags; luggage; briefcases; coin purses, not of precious metal; briefcases [leather goods]; school bags; key cases; clutches [purses]; trunks and suitcases; umbrellas and parasols.

25 – Clothing; footwear; headgear; jackets; trousers; shirts; outerwear; trench coats; knitwear; socks; dresses; skirts; jumper suits; shoes; boots; sportswear; underwear; neckties; scarves [mufflers]; belts; bathrobes.

35 – Retail services in relation to consumer goods and in particular to: bags, handbags, shopping bags, luggage, briefcases, coin purses, not of precious metal, briefcases [leather goods], school bags, key cases, clutches [purses], trunks and suitcases, umbrellas and parasols, clothing, footwear, headgear.

(260) AM 2020 103722 A

(800) 1473068

(151) 2019 02 20

(891) 2019 02 20

(731) BUONTUTTO S.R.L.

Via Principe di Villafranca 50, I-90141

Palermo PA, Italy

(540)

BUONGIORNO

(591) Black, white

(511)

18 – Bags; handbags; shopping bags; luggage; briefcases; coin purses, not of precious metal; briefcases [leather goods]; school bags; key cases; clutches [purses]; trunks and suitcases; umbrellas and parasols.

25 – Clothing; footwear; headgear; jackets; trousers; shirts; outerwear; trench coats; knitwear; socks; dresses; skirts; jumper suits; shoes; boots; sportswear; underwear; neckties; scarves [mufflers]; belts; bathrobes.

35 – Retail services in relation to consumer goods and in particular to: bags, handbags, shopping bags, luggage, briefcases, coin purses, not of precious metal, briefcases [leather goods], school bags, key cases, clutches [purses], trunks and suitcases, umbrellas and parasols, clothing, footwear, headgear.

(260) AM 2020 103725 A

(800) 1473180

(151) 2019 04 09

(891) 2019 04 09

(731) ALCON INC.

RUE LOUIS-D'AFFRY 6, CH-1701
FRIBOURG, Switzerland

(540)

The logo for Alcon, featuring the word "Alcon" in a bold, blue, sans-serif font.

(591) Blue

(531) 27.05.01; 27.05.17; 29.01.04

(511)

5 – Pharmaceutical products, medical and veterinary preparations; sanitary products for medical purposes; dietetic substances and foodstuffs for medical or veterinary use, food for babies; food supplements for humans and animals; plasters, materials for dressings; material for dental fillings and dental impressions; disinfectants; products for destroying vermin; fungicides, herbicides.

9 – Scientific, research, navigation, surveying, photographic, cinematographic, audiovisual, optical, weighing, measuring, signaling, detection, testing, inspection, life-saving and teaching apparatus and instruments; apparatus and instruments for conducting, supplying, transforming, accumulating, regulating or controlling of electricity distribution or consumption; apparatus and instruments for recording, transmitting, reproducing or processing of sound, images or data; downloadable or recorded media, software, blank digital or analog recording and storage media; mechanisms for coin-operated apparatus; cash registers, calculating devices; computers and computer peripherals; diving suits, diving masks, earplugs for diving, nose clips for divers and swimmers, diving gloves, breathing apparatus for underwater swimming; fire extinguishers.

10 – Surgical, medical, dental and veterinary apparatus and instruments; artificial limbs, eyes and teeth; orthopedic articles; suture material; therapeutic and assistance devices designed for people with disabilities; massage apparatus; apparatus, devices and articles for child care; apparatus, devices and articles for sexual activities.

35 – Advertising; commercial business management; commercial administration; office functions.

37 – Construction; repair; installation services.

41 – Education; training; entertainment; sporting and cultural activities.

(260) AM 2020 103726 A

(800) 1473188

(151) 2019 04 05

(891) 2019 04 05

(731) EGOROV ALEXEY VLADIMIROVICH

Simonova st., 12/9, 426, RU-194358 Saint-
Petersburg, Russian Federation

(540)

The logo for WOM WCOM, featuring the word "WOM" stacked above "WCOM" in a bold, black, sans-serif font.

(591) Black, white

(531) 27.05.09; 27.05.15

(511)

3 – Abrasives; amber [perfume]; descaling preparations for household purposes; antistatic preparations for household purposes; aromatics [essential oils]; air fragrancing preparations; cake flavorings [essential oils]; flavorings for beverages [essential oils]; food flavourings [essential oils]; breath freshening sprays; canned pressurized air for cleaning and dusting purposes; balms, other than for medical purposes; lip glosses; polishing stones; abrasive paper; emery paper; polishing paper; petroleum jelly for cosmetic purposes; shoe polish; cobblers' wax; cotton wool for cosmetic purposes; sachets for perfuming linen; drying agents for dishwashing machines; adhesives for cosmetic purposes; scented water; Javelle water; lavender water; toilet water; laundry wax; wax for parquet floors; non-slipping wax for floors; depilatory wax; mustache wax; tailors' wax; creams for leather; polish for furniture and flooring; shoemakers' wax; polishing wax; massage gels, other than for medical purposes; heliotropine; dental bleaching gels; geraniol; make-up; deodorants for pets; deodorants for human beings or for animals; depilatory preparations; scented wood; perfumes; non-slipping liquids for floors; windshield cleaning liquids; greases for cosmetic purposes; volcanic ash for cleaning; perfumery; decorative transfers for cosmetic purposes; ionone [perfumery]; shaving stones [astringents]; smoothing stones; eyebrow pencils; cosmetic pencils; silicon carbide [abrasive]; carbides of metal [abrasives]; alum stones [astringents]; tripoli stone for polishing; adhesives for affixing false eyelashes; adhesives for affixing false hair; hair conditioners; quillaia bark for washing; corundum [abrasive]; beard dyes; colorants for toilet purposes; cosmetic dyes; laundry starch; laundry glaze; shoe cream; polishing creams; cosmetic creams; skin whitening creams; polishing rouge; incense; hair spray; nail polish; hair lotions; lotions for cosmetic purposes; after-shave lotions; beauty masks; oils for perfumes and scents; oils for cosmetic purposes; oils for toilet purposes; essential oils; essential oils of cedarwood; essential oils of lemon; essential oils of citron; oils for cleaning purposes; bergamot oil; gaultheria oil; jasmine oil; lavender oil; almond oil; rose oil; oil of turpentine for degreasing; whitening; cleaning chalk; almond milk for cosmetic purposes; cleansing milk for toilet purposes; musk [perfume-]

ry]; deodorant soap; soap; shaving soap; soap for brightening textile; cakes of toilet soap; antiperspirant soap; soap for foot perspiration; almond soap; mint for perfumery; cosmetic kits; emery; nail art stickers; false nails; eau de Cologne; bases for flower perfumes; joss sticks; pastes for razor strops; dentifrices; pumice stone; lipstick cases; hydrogen peroxide for cosmetic purposes; breath freshening strips; teeth whitening strips; abrasive cloth; glass cloth [abrasive cloth]; lipsticks; pomades for cosmetic purposes; shaving preparations; cosmetic preparations for baths; bath preparations, not for medical purposes; hair straightening preparations; hair waving preparations; laundry soaking preparations; grinding preparations; douching preparations for personal sanitary or deodorant purposes [toiletries]; smoothing preparations [starching]; color-removing preparations; leather bleaching preparations; polishing preparations; denture polishes; mouthwashes, not for medical purposes; cosmetic preparations for slimming purposes; starch glaze for laundry purposes; refurbishing preparations; fabric softeners for laundry use; laundry bleach; dry-cleaning preparations; paint stripping preparations; lacquer-removing preparations; make-up removing preparations; floor wax removers [scouring preparations]; varnish-removing preparations; rust removing preparations; nail care preparations; cleaning preparations; wallpaper cleaning preparations; preparations for unblocking drain pipes; collagen preparations for cosmetic purposes; laundry preparations; aloe vera preparations for cosmetic purposes; sunscreen preparations; color-brightening chemicals for household purposes [laundry]; shining preparations [polish]; make-up powder; diamantine [abrasive]; stain removers; scouring solutions; false eyelashes; tissues impregnated with cosmetic lotions; tissues impregnated with make-up removing preparations; safrol; laundry blueing; turpentine, for degreasing; potpourris [fragrances]; bleaching salts; washing soda, for cleaning; bath salts, not for medical purposes; fumigation preparations [perfumes]; preservatives for leather [polishes]; ammonia [volatile alkali] [detergent]; astringents for cosmetic purposes; eyebrow cosmetics; make-up preparations; sun-tanning preparations [cosmetics]; hair dyes; neutralizers for permanent waving; preparations to make the leaves of plants shiny; cosmetic preparations for eyelashes; cosmetic preparations for skin care; shoe wax; cosmetics; cosmetics for animals; mascara; detergents other than for use in manufacturing operations and for medical purposes; degreasers other than for use in manufacturing processes; bleaching preparations [decolorants] for cosmetic purposes; antiperspirants [toiletries]; talcum powder, for toilet use; cotton sticks for cosmetic purposes; terpenes [essential oils]; emery cloth; cloths impregnated with a detergent for cleaning; henna [cosmetic dye]; shampoos; shampoos for pets; dry shampoos; sandpaper; soda lye; extracts

of flowers [perfumes]; ethereal essences; badian essence; mint essence [essential oil].

35 – Arranging subscriptions to telecommunication services for others; import-export agency services; commercial information agency services; publicity agency services; cost price analysis; rental of advertising space; business auditing; employment agency services; computerized file management; book-keeping; invoicing; demonstration of goods; transcription of communications [office functions]; opinion polling; market studies; business information; commercial information and advice for consumers [consumer advice shop]; business investigations; business research; marketing research; personnel recruitment; business management and organization consultancy; business organization consultancy; business management consultancy; personnel management consultancy; professional business consultancy; layout services for advertising purposes; marketing; business management of performing artists; business management of sports people; writing of résumés for others; scriptwriting for advertising purposes; news clipping services; updating and maintenance of data in computer databases; updating of advertising material; word processing; organization of exhibitions for commercial or advertising purposes; arranging newspaper subscriptions for others; organization of fashion shows for promotional purposes; organization of trade fairs for commercial or advertising purposes; shop window dressing; design of advertising materials; business appraisals; payroll preparation; data search in computer files for others; sponsorship search; business management assistance; commercial or industrial management assistance; commercial intermediation services; providing business information via a web site; provision of commercial and business contact information; provision of an on-line marketplace for buyers and sellers of goods and services; web indexing for commercial or advertising purposes; presentation of goods on communication media, for retail purposes; economic forecasting; auctioneering; retail or wholesale services for pharmaceutical, veterinary and sanitary preparations and medical supplies; sales promotion for others; production of advertising films; office machines and equipment rental; rental of advertising time on communication media; publicity material rental; rental of billboards [advertising boards]; rental of vending machines; rental of sales stands; rental of photocopying machines; publication of publicity texts; radio advertising; distribution of samples; dissemination of advertising matter; direct mail advertising; writing of publicity texts; advertising; on-line advertising on a computer network; bill-posting; advertising by mail order; television advertising; document reproduction; compilation of statistics; compilation of information into computer databases; business inquiries; systemization of information into computer databases; advisory services for business

management; negotiation and conclusion of commercial transactions for third parties; tax preparation; drawing up of statements of accounts; telemarketing services; psychological testing for the selection of personnel; outsourced administrative management for companies; business management of hotels; business management for freelance service providers; commercial administration of the licensing of the goods and services of others; business management of reimbursement programs for others; administration of consumer loyalty programs; administration of frequent flyer programs; administrative processing of purchase orders; public relations; modelling for advertising or sales promotion; typing; appointment reminder services [office functions]; web site traffic optimization; relocation services for businesses; tax filing services; search engine optimization for sales promotion; appointment scheduling services [office functions]; price comparison services; secretarial services; procurement services for others [purchasing goods and services for other businesses]; shorthand; outsourcing services [business assistance]; telephone answering for unavailable subscribers; photocopying services; business efficiency expert services.

(260) AM 2020 103727 A

(800) 1473203

(151) 2019 04 03

(891) 2019 04 03

(731) HEBEI ZHONGFEITONG NETWORK TECHNOLOGY CO., LTD
LEHUICHENG 1-3-805, NO. 11
ZHONGSHAN EAST ROAD, CHANG'AN DISTRICT, SHIJIAZHUANG CITY, HEBEI PROVINCE, China

(540)



(591) Black, white

(531) 01.13.01; 03.13.05; 26.03.23; 26.05.04;
27.05.01

(511)

9 – Computer programs [downloadable software]; electronic publications, downloadable; photocopiers [photographic, electrostatic, thermic]; distribution consoles [electricity]; mobile phone applications, downloadable; cameras [photography]; measuring apparatus; materials for electricity mains [wires, cables]; network communication device; batteries, electric.

35 – Advertising; layout services for advertising purposes; provision of an on-line marketplace for buyers and sellers of goods and services; providing business information via a web site; auctioneering; personnel management consultancy; sales promotion

for others; systemization of information into computer databases; accounting; sponsorship search.

42 – Technical research; quality assessment; surveying; material testing; industrial design; conducting technical project studies for construction projects; providing search engines for the internet; creating and designing website-based indexes of information for others [information technology services]; consultancy in the design and development of computer hardware; conversion of computer programs and data, other than physical conversion.

(260) AM 2020 103729 A

(800) 1473230

(151) 2019 04 09

(891) 2019 04 09

(731) ALCON INC.

Rue Louis-d'Affry 6, CH-1701 Fribourg,
Switzerland

(540)

Alcon

SEE BRILLIANTLY

(591) Black, white

(531) 27.05.01; 27.05.09; 27.05.10

(511)

5 – Pharmaceutical products, medical and veterinary preparations; sanitary products for medical purposes; dietetic substances and foodstuffs for medical or veterinary use, food for babies; food supplements for humans and animals; plasters, materials for dressings; material for dental fillings and dental impressions; disinfectants; products for destroying vermin; fungicides, herbicides.

9 – Scientific, research, navigation, surveying, photographic, cinematographic, audiovisual, optical, weighing, measuring, signaling, detection, testing, inspection, life-saving and teaching apparatus and instruments; apparatus and instruments for conducting, switching, transforming, accumulating, regulating or controlling electricity distribution or consumption; apparatus and instruments for recording, transmitting, reproducing or processing of sound, images or data; downloadable or recorded media, software, blank digital or analog recording and storage media; mechanisms for coin-operated apparatus; cash registers, calculating devices; computers and computer peripherals; diving suits, diving masks, earplugs for diving, nose clips for divers and swimmers, diving gloves, breathing apparatus for underwater swimming; fire extinguishers.

10 – Surgical, medical, dental and veterinary apparatus and instruments; artificial limbs, eyes and teeth; orthopedic articles; suture material; therapeutic and assistance devices designed for people with disabili-

lities; massage apparatus; apparatus, devices and articles for child care; apparatus, devices and articles for sexual activities.

35 – Advertising; commercial business management; commercial administration; office functions.

37 – Construction; repair; installation services.

41 – Education; training; entertainment; sporting and cultural activities.

(260) AM 2020 103735 A

(800) 1473328

(151) 2019 04 17

(891) 2019 04 17

(731) HUAWEI TECHNOLOGIES CO., LTD.
Huawei Administration Building, Bantian,
Longgang District, Shenzhen, 518129
Guangdong, China

(540)

Magic UI

(591) Black, white

(531) 27.05.01; 27.05.17

(511)

9 – Smartphones; tablet computers; computer programs, recorded; computer software applications, downloadable; operating programs; data processing apparatus; computer memory devices; computer software [recorded]; computer programs [downloadable software]; computer operating software; digital signal processors; memory apparatus for data processing equipment; computer operating programs; central processing unit for use in processing information, data, sound and image; computer software for use in control and managing access to server applications; computer hardware; graphics accelerator; computer screen saver software; computer software for audio and video device operation control; software for use in chat robot; computer software for use in organizing and viewing digital images and photos; computer software that enables photos to be transmitted to a phone; computer software for processing digital images; computer software for use in creating and editing music and voice; computer programs for use in designing user interface; smart glasses [data processing]; smart watch [data processing]; video screens; batteries; laptop computers; earphones; camcorders; cameras; television apparatus; cell phones; wireless network card; video telephones; modems; computers; set top box; home network communication terminal equipment for accessing the network, making calls, watching videos and playing games; digital readers; ADSL broadband access terminal equipment; router; electronic book; communication module; personal digital assistants [PDAs]; telephone for use with remote teleconferencing; digital photo frames; intelligent control device for video conferencing; chargers; mo-

use; software for use in the field of communications; microphones; wireless network card with usb interface; inter-network connector for wan and lan interconnection (network communication equipment); computer hardware that allows simultaneous video conferencing in multiple locations; computer software that allows simultaneous video conferencing in multiple locations; network communication equipment that allows simultaneous video conferencing in multiple locations.

(260) AM 2020 103738 A

(800) 1473435

(151) 2019 02 15

(891) 2019 02 15

(731) YILDIZ HOLDİNG ANONİM ŞİRKETİ
Kısıklı Mahallesi, Çeşme Çıkmazı Sokak
No:6/1, Üsküdar, İstanbul, Turkey

(540)

WE PROMISE HAPPINESS

TO THE WORLD

WITH EVERY BITE

(591) Black, white

(511)

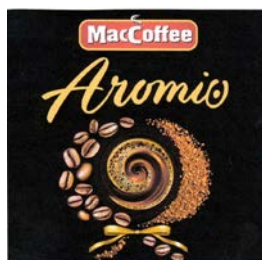
30 – Coffee, cocoa; coffee or cocoa based beverages, chocolate based beverages, pasta, stuffed dumplings, noodles, pastries and bakery products based on flour; desserts based on flour and chocolate; bread, simit [Turkish ring-shaped bagel covered with sesame seeds], poğaça [Turkish bagel], pita, sandwiches, katmer [Turkish pastry], pies, cakes, baklava [Turkish dessert based on dough coated with syrup], kadayıf [Turkish dessert based on dough]; puddings, custard, kazandibi [Turkish pudding], rice pudding, keşkül [Turkish pudding], tea, iced tea, confectionery, chocolate, biscuits, crackers, wafers, chewing gums, ice-cream, edible ices, cereal-based snack food, popcorn, crushed oats, corn chips, breakfast cereals, processed wheat for human consumption, crushed barley for human consumption, processed oats for human consumption, processed rye for human consumption, rice.

35 – The bringing together, for the benefit of others, of a variety of goods, namely coffee, cocoa, coffee or cocoa based beverages, chocolate based beverages, pasta, stuffed dumplings, noodles, pastries and bakery products based on flour, desserts based on flour and chocolate, bread, simit [Turkish ring-shaped bagel covered with sesame seeds], poğaça [Turkish bagel], pita, sandwiches, katmer [Turkish pastry], pies, cakes, baklava [Turkish dessert based on dough coated with syrup], kadayıf [Turkish dessert

based on dough], desserts based on dough coated with syrup, puddings, custard, kazandibi [Turkish pudding], rice pudding, keşkül [Turkish pudding], tea, iced tea, confectionery, chocolate, biscuits, crackers, wafers, chewing gums, ice-cream, edible ices, cereal-based snack food, popcorn, crushed oats, corn chips, breakfast cereals, processed wheat for human consumption, crushed barley for human consumption, processed oats for human consumption, processed rye for human consumption, rice, enabling customers to conveniently view and purchase those goods, such services may be provided by retail stores, wholesale outlets, by means of electronic media or through mail order catalogues.

(260) AM 2020 103739 A
 (800) 1473486
 (151) 2019 04 05
 (891) 2019 04 05
 (731) FUTURE ENTERPRISES PTE. LTD.
 31 Harrison Road, #08-01, Food Empire
 Business Suites, Singapore 369649,
 Singapore

(540)



(591) Brown, white, red, yellow
 (531) 01.15.11; 01.15.23; 05.07.27; 09.01.10;
 27.05.10; 29.01.13

(511)
 30 – Coffee; cocoa-based beverages; cocoa beverages with milk; coffee beverages with milk; chocolate beverages with milk; compositions for preparing coffee-based beverages.

(260) AM 2020 103740 A
 (800) 1473513
 (151) 2019 04 23
 (891) 2019 04 23
 (731) BEIJING HUIJUTIANXIA INVESTMENT
 CO., LTD.
 Room 1809, Building 2, No.1 Courtyard,
 Hangfeng Road, Fengtai District, Beijing,
 China

(540)



(591) Black, white
 (531) 26.04.17; 26.04.18; 26.04.24; 27.05.01;
 27.05.11; 27.07.01

(511)
 35 – Publicity; advertising agency services / publicity agency services; rental of advertising time on communication media; production of teleshopping programmes / production of teleshopping programs; consultancy regarding advertising communication strategies; television advertising; rental of billboards [advertising boards]; production of advertising films; sales promotion for others; commercial and residential real estate advertising; electronic bulletin board advertising.

(260) AM 2020 103741 A
 (800) 1473518
 (151) 2019 03 20
 (891) 2019 03 20
 (731) ROCHE DIAGNOSTICS GMBH
 Sandhofer Str. 116, 68305 Mannheim,
 Germany

(540)

HARMONY-IN-LAB

(591) Black, white

(511)

9 – Scientific, genomic research and measuring apparatus, devices and instruments; apparatus, devices and instruments for identifying, sequencing, analyzing, measuring and/or recording DNA or other molecules (for non-medical purposes); scientific instruments, namely, analyzers for detecting and karyotyping chromosomes; laboratory instruments, namely, devices for analysis of nucleic acids and for DNA sequencing; imaging devices and analyzers; apparatus for preparation, amplification, mixing, hybridization, incubation, and washing of scientific samples; nucleic acid sequencers; genotyping and gene expression microarrays, associated image files and associated kits consists of laboratory tools and trays for analyzing nucleic acids for scientific, pharmaceutical and medical research purposes; software for scientific, pharmaceutical and medical research purposes; computer software for use in the field of genome sequencing; bioinformatics software to interpret results of genetic testing; software having processing algorithms for identifying, analysing and classifying chromosomal and sub-chromosomal variations; computer systems and software for collecting, storing, analyzing and reporting biological information, and for sample tracking and managing projects, laboratory workflow and data, for use in the fields of scientific, diagnostic and clinical research and for clinical diagnostic purposes; software for use in analyzing, managing and visualizing DNA sequencing data; downloadable electronic publications in the fields of molecular diagnostics and genetics.

(260) AM 2020 103747 A
 (800) 1211069
 (151) 2014 06 04
 (891) 2019 05 08
 (731) ENGELHARD ARZNEIMITTEL GMBH & CO. KG
 Herzbergstrasse 3, 61138 Niederdorfelden,
 Germany
 (540)

EA 575

(591) Black, white
 (511)
 5 – Medicines, chemicals for medical purposes, pharmaceutical drugs and preparations, disinfectants, dietetic foodstuffs and dietary supplements for medical purposes, pharmaceutical and veterinary preparations; sanitary preparations for medical purposes; food for babies.

(260) AM 2020 103748 A
 (800) 1394886
 (151) 2018 01 17
 (891) 2019 05 29
 (731) SECURETEC Detektions-Systeme AG
 Lilienthalstrasse 7, 85579 Neubiberg,
 Germany
 (540)

WipeAlyser

(591) Black, white
 (511)
 1 – Chemicals used in science; chemical products for diagnostic use [scientific]; diagnostic chemicals [other than for medical or veterinary use]; diagnostic substances, other than for medical use; diagnostic reagents and preparations, other than for medical or veterinary purposes; diagnostic reagents, other than for medical purposes; diagnostic agents (other than for medical purposes); diagnostic reagents for in-vitro use, other than for medical purposes; diagnostic reagents, other than for medical use for sale in kit form; testing reagents for scientific use; test reagents [other than for medical use].

9 – Scientific, optical, measuring, signalling and checking (supervision) apparatus and instruments; testing and diagnostic devices, not for medical purposes; testing and diagnostic apparatus, not for medical purposes; apparatus for analysis [other than for medical use]; equipment and apparatus for storing data; equipment, apparatus and instruments for analysing and documenting test results; recorded computer software; software for testing apparatus, other than for medical purposes, data storage devices and apparatus, and for devices, apparatus and instruments for evaluating and documenting test results; mobile software; optical data carriers bearing recorded software.

10 – Apparatus and instruments for medical use; testing devices and testing apparatus for medical diagnosis purposes; medical diagnostic devices and apparatus; medical diagnostic instrumentation; analysers for medical use; analysers for medical use; devices, apparatus and instruments for evaluating and documenting test results for medical purposes.

(260) AM 2020 103749 A
 (800) 1455136
 (151) 2018 10 31
 (891) 2019 05 31
 (731) Barilla G. e R. Fratelli – Società per Azioni
 Via Mantova, 166, Parma (PR), Italy
 (540)

MASTERS OF PASTA

(591) Black, white
 (511)
 30 – Coffee, tea, cocoa and artificial coffee; rice; tapioca and sago; flour and preparations made from cereals; bread, pastry and confectionery; ices; sugar, honey, treacle; yeast, baking-powder; salt; mustard; vinegar, sauces (condiments); spices; ice; oat-based food; farinaceous foods; starch for food; aniseed; star aniseed; seasonings; coffee flavorings [flavourings]; flavorings, other than essential oils; flavorings [flavourings], other than essential oils, for beverages; flavorings [flavourings], other than essential oils, for cakes; crushed oats; husked oats; high-protein cereal bars; stick liquorice [confectionery]; cocoa-based beverages; coffee-based beverages; chocolate-based beverages; tea-based beverages; baking soda [bicarbonate of soda for cooking purposes]; biscuits; malt biscuits; petit-beurre biscuits; sweetmeats [candy]; buns; puddings; cocoa; cocoa beverages with milk; coffee beverages with milk; unroasted coffee; cinnamon [spice]; caramels [candy]; condiments; crackers; couscous [semolina]; cakes; wheat flour; flour; fruit jellies [confectionery]; edible ices; baking powder; macaroni; mayonnaise; rusks; unleavened bread; breadcrumbs; bread rolls; pasta; pesto [sauce]; pizzas; cereal preparations; ravioli; cooking salt; tomato sauce; soya sauce; dressings for salad; sandwiches; oatmeal; semolina; hominy grits; cereal-based snack food; rice-based snack food; sorbets [ices]; spaghetti; meat gravies; noodles; tarts; vermicelli [noodles]; saffron [seasoning]; ginger [spice].

35 – Advertising; business management; business administration; office functions; commercial administration of the licensing of the goods and services of others; dissemination of advertising matter; demonstration of goods; direct mail advertising; marketing; organization of exhibitions for commercial or advertising purposes; organization of trade fairs for commercial or advertising purposes; presentation of goods on communication media, for retail

purposes; sales promotion for others; publication of publicity texts; on-line advertising on a computer network; television advertising; retail business services and online retail business services featuring the following goods: coffee, tea, cocoa and artificial coffee, rice, tapioca and sago, flour and preparations made from cereals, bread, pastry and confectionery, ices, sugar, honey, treacle, yeast, baking-powder, salt, mustard, vinegar, sauces (condiments), spices, ice, oat-based food, farinaceous foods, starch for food, aniseed, star aniseed, seasonings, coffee flavorings [flavourings], flavorings, other than essential oils, flavorings [flavourings], other than essential oils, for beverages, flavorings [flavourings], other than essential oils, for cakes, crushed oats, husked oats, high-protein cereal bars, stick liquorice [confectionery], cocoa-based beverages, coffee-based beverages, chocolate-based beverages, tea-based beverages, baking soda [bicarbonate of soda for cooking purposes], biscuits, malt biscuits, petit-beurre biscuits, sweetmeats [candy], buns, puddings, cocoa, cocoa beverages with milk, coffee beverages with milk, unroasted coffee, cinnamon [spice], caramels [candy], condiments, crackers, couscous [semolina], cakes, wheat flour, flour, fruit jellies [confectionery], edible ices, baking powder, macaroni, mayonnaise, rusks, unleavened bread, breadcrumbs, bread rolls, pasta, pesto [sauce], pizzas, cereal preparations, ravioli, cooking salt, tomato sauce, soya sauce, dressings for salad, sandwiches, oatmeal, semolina, hominy grits, cereal-based snack food, rice-based snack food, sorbets [ices], spaghetti, meat gravies, noodles, tarts, vermicelli [noodles], saffron [seasoning], ginger [spice].

41 – Education; providing of training; entertainment; sporting and cultural activities; academies [education]; practical training (demonstration); education information; recreation information; gymnastic instruction; correspondence courses; organising cookery courses; organising of competitions; organization of sports competitions; organization of competitions [education or entertainment]; organization of exhibitions for cultural or educational purposes; organization of shows [impresario services]; arranging and conducting of concerts; arranging and conducting of conferences; arranging and conducting of congresses; arranging and conducting of colloquiums; arranging and conducting of seminars; arranging and conducting of symposiums; arranging and conducting of workshops [training]; entertainment party planning; publication of books; publication of texts, other than publicity texts; publication of electronic books and journals on-line; electronic desktop publishing; presentation of live performances; game services provided on-line from a computer network.

43 – Services for providing food and drink; temporary accommodation; cafés; cafeterias; rental of temporary accommodation; canteens; hotel reservations;

temporary accommodation reservations; boarding house bookings; restaurants; self-service restaurants; hotels; bar services; holiday camp services [lodging]; food and drink catering; motels; snack-bars.

(260) AM 2020 103790 A

(800) 1473566

(151) 2019 03 29

(891) 2019 03 29

(731) FOURNARAKIS VIOMICHANIKA
ERGALEIA ANONYMI TECHNIKI
ETAIREIA 9,5 CHLM. STO PARADROMO
TIS ATTIKIS ODOU, DIMOS
ASPROPYRGOU ATTIKIS, ELLADA,
GR-193 00 ASPROPYRGOS, Greece

(540)



(591) Blue, white and black

(531) 26.04.02; 26.04.18; 26.04.24; 29.01.13

(511)

6 – Structures and transportable buildings of metal; statues and works of art of common metals; unprocessed and semi-processed materials of metal; containers, and transportation and packaging articles, of metal; metal hardware; building and construction materials and elements of metal; doors, gates, windows and window coverings of metal.

(260) AM 2020 103791 A

(800) 1473588

(151) 2018 12 07

(891) 2018 12 07

(731) SKY GROUP SLOVAKIA, S. R. O.
Nálepkova 7122/28, Piešťany, Slovakia

(540)

Slovak Valley

(591) Black, white

(511)

33 – Distilled beverages; wines; liqueurs; mead [hydromel]; spirits; eaux-de-vie; piquette; perry; whisky; alcoholic beverages, except beer; rum; vodka.

(260) AM 2020 103792 A

(800) 1473611

(151) 2019 03 21

(891) 2019 03 21

(731) ADP GAUSELMANN GMBH
Merkur-Allee 1-15, 32339 Espelkamp,
Germany

(540)

Fruits Tastilicious

(591) Black, white

(511)

9 – Computer software; coin-operated mechanisms; computer and video games software; games software in particular for use on any computer platform, including electronic entertainment and games consoles; computer game programs; video games (software); computer games provided through a global computer network or supplied by means of multi-media electronic broadcast or through telecommunications or electronic transmission or via the internet; computer games, leisure and recreational software, video games and computer software, all being provided in the form of storage media; programs for operating electric and electronic apparatus for games, amusement and/or entertainment purposes; computer software for computer games on the internet; online games (software), in particular for online betting games, online prize games, online gambling games, online games of skill and online casino games; computer software in the form of an app for mobile devices and computers; calculating apparatus in coin-operated machines and parts for the aforesaid goods; electric, electronic, optical or automatic apparatus, for identifying data carriers, identity cards and credit cards, bank notes and coins; software in particular for casino and/or amusement arcade games, for gaming machines and/or slot machines each one with or without prize payouts; gaming software that generates or displays wager outcomes of gaming machines; operational computer games software; computer software for managing of games (game collection); computer programs for video games; computer video game software.

28 – Games; toys; gaming apparatus (including coin-operated apparatus); coin-operated arcade games (machines); games for amusement arcades (included in this class); coin-operated video gaming apparatus; video games apparatus adapted for use with external screens or monitors only; casino fittings, namely roulette tables, roulette wheels; coin-operated automatic gaming machines and gaming machines, in particular for gaming arcades, with or without a prize payout; electronic or electrotechnical gaming apparatus, automatic gaming machines, gaming machines, slot machines operated by coins, tokens, banknotes, tickets or by means of electronic, magnetic or biometric storage media, in particular for commercial use in casinos and amusement arcades, with or without a prize payout; automatic gaming machines and gaming machines, in particular for commercial use in casinos and gaming arcades, with or without a prize payout; coin-operated gaming machines and/or electronic money-based gaming apparatus (machines), with or without prizes; housings adapted for gaming machines, gaming apparatus and

automatic gaming machines, operated by means of coins, tokens, tickets or by means of electronic, magnetic or biometric storage media, in particular for commercial use in casinos and gaming arcades, with or without a prize payout; electronic games; electronic game entertainment apparatus and parts thereof; video output game machines; drawing apparatus for prize games and lotteries, draws or raffles; housings of metal, plastic and/or wood for coin-operated automatic machines; apparatus for games (including video games), other than adapted for use with external screens or monitors only; electropneumatic and electric slot machines with pulling handles (gaming machines); gaming tables, in particular for table football, billiards, sliding games; flying discs (toys) and darts; gaming machines, namely electric, electronic or electromechanical apparatus for bingo games, lotteries or video lottery games and for betting offices, connected or unconnected to a computer network; LCD games consoles; automatic gaming machines; all the aforesaid automatic machines operating in networks; apparatus and devices for accepting and storing money, being fittings for the aforesaid automatic machines, included in this class; automatic lottery machines.

(260) AM 2020 103801 A

(800) 1473734

(151) 2019 01 14

(891) 2019 01 14

(731) EGIS GYÓGYSZERGYÁR ZRT.

Keresztúri út 30-38., H-1106 Budapest,
Hungary

(540)

СУПРАСТИГЕЛЬ

(591) Black, white

(531) 28.05

(511)

5 – Human pharmaceutical preparations for the treatment of allergy.

(260) AM 2020 103802 A

(800) 1473743

(151) 2019 02 11

(891) 2019 02 11

(731) CROSTALIA TRADING LIMITED

Totalserve Trust Company Limited, Trust
Offices, P.O. Box 3540, Road Town,
Tortola VG1110, Virgin Islands (British)

(540)



(591) White, green, gold, red, brown, orange, black
 (531) 08.05.01; 08.07.03; 11.01.06; 11.03.20;
 25.01.19; 28.03; 28.05; 29.01.15

(511)
 30 – Noodles with chicken.

(260) AM 2020 103803 A
 (800) 1473776
 (151) 2019 02 27
 (891) 2019 02 27
 (731) TROPICANA PRODUCTS, INC.
 1001, 13th Avenue East, Bradenton, Florida
 34208, USA

(540)



(591) Green, yellow and light yellow
 (531) 01.15.15; 27.05.07; 29.01.12
 (511)
 32 – Aperitifs, non-alcoholic; waters [beverages]; aerated water; mineral water [beverages]; table waters; kvass [non-alcoholic beverage]; cocktails, non-alcoholic; lemonades; non-alcoholic beverages; isotonic beverages; non-alcoholic honey-based beverages; aloe vera drinks, non-alcoholic; whey beverages; soft drinks; non-alcoholic fruit juice beverages; fruit nectars, non-alcoholic; orgeat; sarsaparilla [non-alcoholic beverage]; syrups for lemonade; syrups for beverages; smoothies; tomato juice [beverage]; cider, non-alcoholic; vegetable juices [beverages]; fruit juices; preparations for making aerated water; non-alcoholic preparations for making beverages; sherbets [beverages]; non-alcoholic fruit extracts; essences for making beverages.

(260) AM 2020 103804 A
 (800) 1473790
 (151) 2019 05 16
 (891) 2019 05 16
 (731) YIWU TENG DING UMBRELLA CO., LTD.
 RM. 1501, UNIT 3, BLDG. 7, YIWU
 WANGDA PLAZA, CHOUJIANG SUB-
 DISTRICT, YIWU, 361008 ZHEJIANG
 PROV., China

(540)



(591) Black, white
 (531) 26.05.01; 26.05.06; 26.05.22; 26.05.24
 (511)
 18 – Shopping bags; parasols; umbrellas; umbrella handles; umbrella sticks; umbrella rings; umbrella

covers; school bags; umbrella or parasol ribs; frames for umbrellas or parasols.

(260) AM 2020 103805 A
 (800) 1473796
 (151) 2019 01 23
 (891) 2019 01 23
 (731) EDNOLITCHNO DRUJESTVO S
 OGRANITCHENA OTGOVORNOST
 "FINANSKONSULT"
 "Altzeko" str. 16, BG-4000 PLOVDIV,
 Bulgaria
 (540)

LIV

(591) Black, white
 (511)
 34 – Absorbent paper for tobacco pipes; jars for tobacco; pocket machines for rolling cigarettes; electronic cigarettes; snuff; flavorings, other than essential oils for electronic cigarettes; flavorings, other than essential oils for tobacco; lighters for smokers; vaporizers (accessories) for smokers; pouches for tobacco; matchboxes; matches; flints, snuff boxes; cigar boxes; cigar boxes with humidifier; pipe cleaners for tobacco pipes; tobacco pipes; mouthpieces for cigarette holders; cigar cutters; ashtrays; spittoons for tobacco; holders for matches; pipe racks for tobacco pipes; cigarillos; cigars; gas containers for cigar lighters; cigarette cases; liquid solutions for use in electronic cigarettes; herbs for smoking; tobacco; chewing tobacco; cigarette filters; filters of cigarettes; filters of yellow amber for cigarettes and cigarette holders; cigarette paper; cigarette paper booklets; cigarette holders, cigar holders; cigarettes; cigarettes containing tobacco substitutes, not for medical purposes; electronic cigarette cartomizers; holders for electronic cigarettes; vaporizer for smokeless cigarettes; boxes for electronic cigarettes; cases for electronic cigarettes; electronic cigarette lighters; kretek for non-medical purposes; cigarettes containing tobacco substitutes; cigarette tubes; covers for cigarette lighters; pieces of paper for rolling cigarettes; brushes for cleaning electronic cigarettes; smoking sets for electronic cigarettes; cigarette boxes of precious metal, cigarette lighters of precious metal; pocket machines for rolling cigarettes; cigarette boxes, not of precious metal; vials with gas lighters for cigarettes; tobacco tar for use in electronic cigarettes; cigarette lighters, not of precious metal; liquid gas cylinders for cigarette lighters; nicotine-free tobacco, other than those for medical purposes; inhalers for use as an alternative to tobacco cigarettes; covers of precious metal for cigarette lighters; liquid nicotine solutions for use in electronic cigarettes, cigars for use as an alternative to tobacco cigarettes; covers for cigarette lighters, not of precious metal; electronic cigarette liquid [e-liquid] comprised of flavoring in liquid form used to fill elec-

tronic cigarette cartridges; electronic cigarette liquid ["e" liquid] comprised of vegetable glycerin; electronic cigarette liquid ["e" liquid] comprised of propylene glycol; loose tobacco, tobacco for rolling cigarettes, and pipes; cigarettes, cigars, cigarillos and other ready-to-use products for smoking; cartridges sold filled with chemical flavorings in liquid form for electronic cigarettes, chemical flavorings in liquid form used to refill electronic cigarette cartridges; tobacco vaporizers (Pivi) for personal use and electronic cigarettes, and flavorings and solutions therefor; electronic heating devices used with smokeless cigarettes; tobacco products; tobacco products for the purpose of being heated; devices and parts of devices for heating cigarettes or tobacco or tobacco substitutes for inhalation; cable evaporators for electronic cigarettes and electronic smoking devices; tobacco; tobacco sticks, tobacco for heating purposes, electronic devices and parts thereof for the purpose of heating cigarettes or tobacco in order to release nicotine-containing aerosol for inhalation; electronic smoking devices; electronic cigarettes; electronic cigarettes as a substitute for conventional cigarettes; electronic devices for inhalation of an aerosol containing nicotine; devices for oral evaporation for use by smokers; tobacco products and tobacco substitutes; articles for smokers for electronic cigarettes; parts and accessories for supplied products included in class 34; electronic devices and their parts for the purpose of extinguishing cigarettes, cigars and tobacco sticks; rechargeable electronic cigarette boxes; evaporating apparatus for tobacco, tobacco products and tobacco substitutes; devices for extinguishing heated cigarettes, cigars and tobacco sticks.

(260) AM 2020 103808 A

(800) 1473870

(151) 2018 12 07

(891) 2018 12 07

(731) HUAWEI TECHNOLOGIES CO., LTD.

Administration Building Huawei, Technologies Co., Ltd., Bantian, Longgang District, Shenzhen, China

(540)



(591) Black, white

(531) 03.07.04; 05.05.20

(511)

40 – Burnishing by abrasion; laser scribing; paper finishing; optical glass grinding; embroidering; printing; photocomposing services; air purification; engraving; die casting; glass etching; glass resurfacing; custom tailoring; tee-shirt embroidering services; imprinting messages on tee-shirts; digital printing;

rental of 3D printers; material treatment information; metal treating; woodworking; firing pottery; photographic printing; recycling of waste and trash; framing of works of art; production of energy; medicinal material processing; fuel processing; processing and disposal of chemical reagents.

44 – Hospital services; physiotherapy; pharmacy advice; services of a psychologist; health counseling; convalescent home services; hospice services; beauty salons; hairdressing; massage; visagists' services; gardening; wreath making; landscape design; on-line make-up consultation services; landscape gardening design for others; psychological consultation; medical assistance services; dietary and nutritional guidance; managed health care services; personality testing for psychological purposes.

45 – Physical security consultancy; inspection of factories for safety purposes; chaperoning; house sitting; marriage agency services; on-line social networking services; fire-fighting; leasing of internet domain names; intellectual property consultancy; copyright management; legal research; legal services in relation to the negotiation of contracts for others; intellectual property agency services; legal document preparation services; registration of domain names (legal services); computer software licensing; providing information relating to legal affairs; consultancy relating to patent licensing; licensing of trademarks (legal services); monitoring of burglar and security alarms; funerary undertaking; opening of security locks.

(260) AM 2020 103809 A

(800) 1473878

(151) 2019 04 26

(891) 2019 04 26

(731) Public Joint Stock Company

"KRASNYJ OCTYABR"

ul. Malaya Krasnoselskaya, d. 7, str. 24,

RU-107140 Moscow, Russian Federation

(540)



(591) White, black, yellow, dark yellow, brown, light brown, dark brown, green, light green, dark green, red, orange, pink, blue

(531) 03.04.02; 05.05.04; 05.05.20; 05.05.22; 08.01.19; 28.05; 29.01.14

(511)

30 – Confectionery, namely, sweetmeats [candy], waffles; waffle candies.

(260) AM 2020 103824 A

(800) 1474172

(151) 2019 03 06

(891) 2019 03 06

(731) VENELIN STOYANOV GEORGIEV
"Asenovska" street 32A, apartment 13,
BG-8800 Sliven, Bulgaria

(540)

ГЛАЗИИ GLAZIN

(591) Black, white

(531) 27.05.01; 28.05

(511)

5 – Pharmaceutical, veterinary and hygienic preparations; dietetic substances adapted for medical use, food for babies; plasters, materials for dressings; material for stopping teeth, dental wax; disinfectants; preparations for destroying vermin; fungicides, herbicides.

(260) AM 2020 103826 A

(800) 1474201

(151) 2019 01 07

(891) 2019 01 07

(731) CHINA UNIONPAY CO., LTD.
NO.498 GUOSHOUJING ROAD, PUDONG,
201203 SHANGHAI, China

(540)



(591) Red, white, blue, green

(531) 25.03.01; 26.04.04; 28.03; 29.01.14

(511)

9 – Processors [central processing units]; encoded magnetic cards; integrated circuit cards [smart cards]; computer operating programs, recorded; identity cards, magnetic; data processing apparatus; optical character readers; magnetic encoders; magnetic data media; automated teller machines [ATM]; ticket dispensers; cash registers; dictating machines; quantity indicators; apparatus to check franking; Electronic Random Number Indicator Equipment [ERNIE]; voting machines; electronic tags for goods; hemline markers; plotters; facsimile machines; weighing apparatus and instruments; compasses for measuring; signals, luminous or mechanical; radiotelegraphy sets; coin-operated musical automata [juke boxes]; electronic book readers; cases especially made for photographic apparatus and instruments; measuring instruments; optical apparatus and instruments; cables, electric; semi-conductors; fluorescent screens; optical fibers [light conducting filaments];

decorative magnets; electronic collars to train animals; portable remote control stoppers; computer software, recorded; electronic publications, downloadable; downloadable mobile phone applications; computer encryption softwares; electronic card readers; card readers for credit cards; encoded magnetic card readers; integrated circuits; fire extinguishers; radiological apparatus for industrial purposes; protection devices for personal use against accidents; alarms; eyeglasses; batteries, electric; animated cartoons; apparatus for checking hand lines [fingerprint scanners]; face recognition equipment; switches, electric; electronic key fobs being remote control apparatus; electric installations for the remote control of industrial operations; lightning rods; electrolyzers; electrified fences; egg-candlers; dog whistles; electronic and magnetic identification cards for payment services; point sale terminals [POS machines]; money counting and sorting machines; counterfeit coin detectors; fingerprint imagers; fingerprint scanners.

35 – Presentation of goods on communication media, for retail purposes; providing business information via a web site; business appraisals; provision of an on-line marketplace for buyers and sellers of goods and services; employment agency services; relocation services for businesses; appointment reminder services [office functions]; book-keeping; rental of vending machines; sponsorship search; rental of sales stands; sales promotion for others; updating and maintenance of data in computer databases.

36 – Insurance underwriting; financial analysis; financial information; financial consultancy; issuance of credit cards; financing services; processing of credit card payments; financial information investigation concerning credit cards; financial evaluation [insurance, banking, real estate]; processing of debit card payments; electronic funds transfer; banking; jewelry appraisal; real estate agency services; brokerage; surety services; charitable fund raising; trusteeship; pawnbrokerage; providing rebates at participating establishments of others through use of a membership card; exchanging money; monetary transactions; bank teller machine services; online banking; clearing, financial; processing of electronic credit card transactions; instalment loans; debt collection agency services; savings bank services; issuance of travelers' checks; business liquidation services, financial; providing financial information via a web site.

(260) AM 2020 103831 A

(800) 1474392

(151) 2019 05 02

(891) 2019 05 02

(731) APPLE INC.

One Apple Park Way, MS 169-3IPL,
Cupertino CA 95014, USA

(540)

AIRPOWER

(591) Black, white

(511)

9 – Charging devices for digital electronic devices used as a telephone, handheld computer, media player, personal digital assistant, and camera, and used to access the Internet, electronic mail, and digital audio, video, and data.

(260) AM 2020 103836 A

(800) 1440147

(151) 2018 09 14

(891) 2019 05 24

(731) LIUDMILA ALEKSANDROVNA

KUZNETSOVA

ul. Startovaya, 7. apt. 33, RU-129336

Moscow, Russian Federation

(540)



(591) Black, white

(531) 05.05.20; 26.04.22; 26.04.24; 27.05.24

(511)

3 – Breath freshening sprays; cotton wool for cosmetic purposes; cotton sticks for cosmetic purposes; scented water; perfumery; dentifrices; cosmetics; cosmetic creams; skin whitening creams; creams for leather; hair lotions; lotions for cosmetic purposes; beauty masks; oils for cleaning purposes; soap; cosmetic kits; pomades for cosmetic purposes; cosmetic preparations for baths; non-medicated toiletries; leather bleaching preparations; tissues impregnated with cosmetic lotions; sun-tanning preparations (cosmetics); cosmetic preparations for eyelashes; depilatory preparations; cosmetic preparations for skin care; mascara; shampoos; shampoos for pets (non-medicated grooming preparations).

(260) AM 2020 103885 A

(800) 1474472

(151) 2019 04 01

(891) 2019 04 01

(731) VALENTINO S.P.A.

Via Turati, 16/18, I-20121 MILANO, Italy

(540)

VALENTINO UOMO BORN IN ROMA

(591) Black, white

(531) 27.05.01

(511)

3 – Cosmetics, including night and day creams; preparations for cleaning and care of the face and body; bubble bath; shaving foam; aftershave; make-

up foundations; nail polish; body deodorants for men and women; hand and body soap; shampoos and hair rinses; hair spray; dentifrices; fragrances, namely perfume, eau de Cologne, and essential oils for personal use for men and women.

(260) AM 2020 103888 A

(800) 1474636

(151) 2019 05 06

(891) 2019 05 06

(731) Siegfried Leithäuser GmbH & Co. KG

Heessener Str. 22-28, 59065 Hamm, Germany

(540)

BENVENUTO

(591) Black, white

(511)

25 – Clothing, belts for clothing, footwear, headgear.

(260) AM 2020 103889 A

(800) 1474645

(151) 2019 05 03

(891) 2019 05 03

(731) NAKHLA TOBACCO Co S.A.E.

3, Soliman Al Halabi Street, Azbakia, Cairo,

Egypt

(540)



(591) Black, white

(531) 05.01.05; 05.01.12; 05.01.16; 26.01.02;

26.01.15

(511)

34 – Tobacco, raw or manufactured; smoking tobacco, pipe tobacco, rolling tobacco, chewing tobacco, snus; cigarettes, electronic cigarettes, cigars, cigarillos; snuff; smokers' articles included in this class; cigarette paper, cigarette tubes and matches.

(260) AM 2020 103890 A

(800) 1474648

(151) 2018 12 07

(891) 2018 12 07

(731) SKY GROUP SLOVAKIA, S. R. O.

Nálepkova 7122/28; Piešťany, Slovakia

(540)

Alpensee

(591) Black, white

(511)
33 – Distilled beverages; wines; liqueurs; mead [hydromell]; spirits; eaux-de-vie; piquette; perry; whisky; alcoholic beverages, excluding beers; rum; vodka.

(260) AM 2020 103891 A
(800) 1474654
(151) 2019 05 08
(891) 2019 05 08
(731) INCYTE HOLDINGS CORPORATION
1801 Augustine Cut-Off, Wilmington DE
19803, USA
(540)

ITAVTO

(591) Black, white
(511)
5 – Pharmaceutical preparations.

(260) AM 2020 103892 A
(800) 1474660
(151) 2018 10 23
(891) 2018 10 23
(731) Grupa LOTOS S.A.
ul. Elbląska 135, PL-80-718 Gdańsk, Poland
(540)



(591) Blue, white, red, gold
(531) 01.15.15; 01.15.23; 27.05.02; 27.05.03;
27.05.09; 27.05.10; 29.01.14

(511)
4 – Engine oils, industrial oils for surface lubrication, technological oils included in this class, lubricating, motor, grease for machines, combustible oils, fuel oils, compressor, turbine, machine, marine oils, gasoline and diesel oils; mineral, semi-synthetic, synthetic oils.

(260) AM 2020 103896 A
(800) 1474760
(151) 2019 04 01
(891) 2019 04 01
(731) VALENTINO S.P.A.
Via Turati 16/18, I-20121 Milano, Italy
(540)

**VALENTINO DONNA
BORN IN ROMA**

(591) Black, white

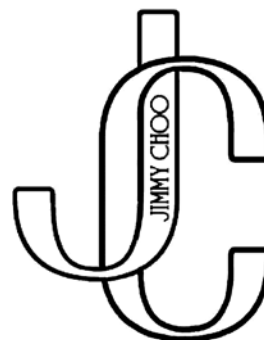
(511)
3 – Cosmetics, including night and day creams; preparations for cleaning and care of the face and body; bubble bath; shaving foam; aftershave; make-up foundations; nail polish; body deodorants for men and women; hand and body soap; shampoos and hair rinses; hair spray; dentifrices; fragrances, namely perfume, eau de Cologne, and essential oils for personal use for men and women.

(260) AM 2020 103906 A
(800) 1475033
(151) 2019 02 12
(891) 2019 02 12
(731) ANGEL YEAST CO., LTD.
CHENGDONG AVENUE 168,
(ORIGINAL : NO.24 ZHONGNAN ROAD),
YICHANG, 443003 HUBEI, China
(540)



(591) Black, white
(531) 01.15.11; 02.01.02; 02.01.20; 05.07.02;
24.07.15; 25.01.06; 25.01.15; 28.05
(526) ДРОЖЖИ
(511)
30 – Coffee; tea; sugar; bread; cereal preparations; starch for food; condiments; yeast; baking powder; aromatic preparations for food.

(260) AM 2020 103908 A
(800) 1475122
(151) 2019 01 11
(891) 2019 01 11
(731) J. CHOO LIMITED
10 Howick Place, London SW1P 1GW,
United Kingdom
(540)



(591) Black, white
(531) 27.05.19; 27.05.22

(511)

3 – Soaps, bath gel, shower gel; perfumery, fragrances, eau de toilette, colognes, aftershave, perfumes in solid form; cosmetics, make-up preparations; essential oils, essential oils for personal use, body oils, body lotion, body cream, moisturizing creams, deodorant for personal use, pre-shave and after-shave lotions; creams, gels and foam for shaving; hair lotions, hair conditioners, foot lotions; bath preparations not for medical purposes, balms not for medical purposes; nail care preparations, nail varnish, nail polish, nail varnish and nail polish removing preparations; talcum powder; sunscreen preparations; sun-tanning preparations; pumice stone; emery; dentifrices; shoe cream, shoe polish, shoe wax; cleaning and polishing preparations, including cleaning and polishing preparations for leather, footwear, handbags, sunglasses; room fragrance, room fragrancing preparations, aromatics for indoor use.

9 – Eyewear, sunglasses, spectacles, sunglasses and spectacles cases and frames, optical frames; pouches and bags adapted to carry sunglasses and spectacles; laptop cases, laptop bags; mobile phone cases, smartphone cases, mobile phone straps; encoded bank cards, encoded loyalty cards; bags adapted for electrical apparatus and instruments, mobile phones, smartphones, laptops, PDAs; apparatus for recording, transmission or reproduction of sound or images, magnetic data carriers, recording discs; pre-recorded CDs, CD-ROMs, tapes and discs; protective footwear; electronic publications (downloadable); software applications (apps); mouse mats, electronic tags for goods.

14 – Precious metals and their alloys and goods in precious metals or coated therewith; jewellery; jewellery in the nature of jewellery ornaments; jewellery for use on shoes and handbags; jewellery in the nature of clip-on jewellery for use as fashion accessories; costume jewellery; costume jewellery in the nature of jewellery ornaments; costume jewellery for use on shoes and handbags; costume jewellery in the nature of clip-on jewellery for use as fashion accessories; earrings, bracelets, chains, necklaces, clip on jewellery, arm cuffs (jewellery), wrist bands (jewellery); jewellery made of leather; key rings (trinkets or fobs); key fobs; trinkets of metal; key fobs of leather or imitations of leather incorporating key rings; horological and chronometric instruments; watches, bracelets and straps for watches, cases adapted to contain watches; jewellery boxes, presentation boxes for jewellery, boxes of precious metals; tie clips, cufflinks; shoe ornaments and handbag ornaments of precious metal; ornaments (jewellery); key rings; key chains; parts and fittings for the aforesaid goods; key holders.

18 – Handbags, travelling bags, weekend bags, trunks, trunks for storing shoes, purses, wallets, clutch bags, travel wallets, luggage tags, luggage la-

bel holders, cosmetic bags, make-up bags, vanity bags, vanity cases not fitted, pouches, cases, bags, shoe bags, cloth bags, backpacks, garment bags, beach bags, briefcases, suitcases, attaché cases; cases of leather or leather board; key cases, key bags; card cases; card holders, credit card holders, debit card holders, bank card holders, business card cases; document cases; hat boxes made of leather or imitations of leather; parasols, umbrellas, walking sticks; parts and fittings for the aforesaid goods; laces (leather); leashes; collars and leads for animals; garments and clothing for pets.

25 – Clothing, footwear and headgear; scarves; gloves, hats, belts, swimming hats; raincoats, hosiery, sashes for wear, wedding dresses, fur stoles, stoles of imitation fur, fur muffs, muffs of imitation fur, ear muffs, fur hats, hats of imitation fur, fur coats, coats of imitation fur; kaftans; swimwear; underclothing; outerclothing.

(260) AM 2020 103909 A

(800) 1475148

(151) 2019 03 29

(891) 2019 03 29

(731) FOURNARAKIS VIOMICHANIKAI
ERGALEIA ANONYMI TECHNIKI
ETAIREIA 9,5 CHLM. Sto Paradromo Tis
Attikis Odou, Dimos Aspropyrgou Attikis,
Ellada, GR-193 00 Aspropyrgos, Greece

(540)



MORRIS
PAINTING TOOLS & SPRAYS

(591) Red, black and white

(531) 26.04.02; 26.04.18; 27.05.10; 29.01.13

(511)

2 – Raw natural resins; thinners and thickeners for coatings, dyes and inks; coatings; dyes, colorants, pigments and inks for printers and photocopiers.

8 – Lifting tools; hand-operated implements for chopping, dicing and slicing food, kitchen knives and cutting implements, cutlery for eating; edged and blunt weapons; hand-operated tools and implements for treatment of materials, and for construction, repair and maintenance; hygienic and beauty implements for humans and animals; hand-operated implements for chopping, dicing or slicing food, kitchen knives and table cutlery (knives, forks and spoons).

16 – Printed matter; works of art and figurines of paper and cardboard, and architects' models; stationery and educational supplies; gums [adhesives] for stationery or household purposes; bags and articles for packaging, wrapping and storage of paper,

cardboard or plastics; decoration and art materials and media; filtering materials of paper; paper and cardboard.

17 – Seals, sealants and fillers; insulation and barrier articles and materials; flexible pipes, tubes, hoses and fittings therefor (including valves), and fittings for rigid pipes, all non-metallic; flexible pipes, tubes, hoses, and fittings therefor, including valves, non-metallic; elastomer polymers; semi-worked plastic substances; mineral fibers for insulation; polyester fibers, other than for textile use; resins in extruded form; carbon fibre; glass fibre and glass wool for insulation; cellulose acetate; semi-processed synthetic polymer resins; acrylic resins [semi-finished products]; unsaturated polyester resins [semi-finished]; unsaturated synthetic polyester resins [semi-finished]; semi-processed resins reinforced with cast nylon for use in manufacture; expanded unsaturated polyester resins [semi-processed]; expanded synthetic resins [semi-processed]; transparent acrylic resins in sheet form incorporating conductive meshes for use in manufacture; semi-processed thermoplastic polymer resins for use in manufacture; semi-processed thermoplastic polymer resins used in manufacturing balloon catheters; semi-finished polyamide resins in the form of sheets; semi-worked polymer resins in the form of bales; semi-worked polymer resins in the form of plates; semi-worked polymer resins in the form of bands; semi-worked polymer resins in the form of fibres; mouldable synthetic resins [semi-finished]; glass reinforced resins [semi-worked or semi-finished]; semi-finished polyamide resins for use in manufacture; semi-worked polymer resins; semi-worked synthetic resins; carbon fibre reinforced synthetic resins for use in manufacture; thermosetting resins [semi-processed]; synthetic resins (semi-finished products) for use in the manufacture of goods for cable splicing; synthetic resins (semi-finished products) for use in the manufacture of goods for controlling the viscosity of fluids; synthetic resins [semi-finished products] for use in the manufacture of goods for controlling the flow properties of fluids; urea resins [semi-worked]; urea-formaldehyde resins [semi-worked]; polyethylene resin [semi-finished]; resins in liquid form [semi-processed]; synthetic resins [semi-finished products]; synthetic resin compositions [semi-processed] for industrial purposes; synthetic fibres, other than for textile use; polyethylene synthetic resin [semi-processed] for foam mouldings; repair resins (synthetic -); semi-processed resins reinforced with cast nylon for use in manufacture; chemical fibres not for textile use; viscose sheets, other than for wrapping; acrylic resin sheeting for use in the manufacture of laminated glass; viscose sheets [semi-finished product]; carbon fiber reinforced plastic sheets for use in manufacture of components; resin impregnated carbon fibres, not for textile use; synthetic rubber material for use in the manufacture of shoe soles; ar-

tificial resins in the form of sheets for use in manufacture; artificial balata; resin impregnated tapes, other than stationery and not for medical or household purposes, for use in manufacture of parts for aerospace; resin impregnated tapes, other than stationery and not for medical or household purposes, for use in manufacture of aerospace components; synthetic rubber in the form of sheets; synthetic rubber in the form of powders; synthetic rubber in the form of granules; synthetic rubber in the form of bales; synthetic rubber in the form of blocks; synthetic rubber for use in manufacture; synthetic resins in sheet form for use in manufacture; ebonite [vulcanite]; mixtures of resins with fillers for use as intermediates; microporous synthetic strips for the manufacture of protective clothing; microporous synthetic sheets for use in manufacture; microporous synthetic sheets for the manufacture of protective rainwear; microporous synthetic sheets for the manufacture of protective workwear; microporous synthetic sheets for the manufacture of protective clothing; asbestos yarn, not for textile use; yarns of ceramic fibres [other than for use in textiles]; polymer resin fibres [other than for use in textiles]; polyvinyl chloride resins [semi-processed]; aramid fibers for use in the manufacture of elevator cables; aramid fibers, not for textile use; foil of regenerated cellulose, other than for wrapping; substitutes for unprocessed and semi-processed rubber; substitutes for unprocessed and semi-processed gum; substitutes for unprocessed and semi-processed mica; substitutes for unprocessed and semi-processed gutta-percha; substitutes for unprocessed and semi-processed asbestos; plastic sheet materials for use in the manufacture of countertops; plastic sheet materials for use in manufacture; regenerated fiber thread not for textile use; uncured synthetic rubber for use in manufacture; polyurethane film, other than for wrapping; polypropylene foil, other than for wrapping; foils of cellulose [other than for wrapping or packaging]; cellulose material compressed into planar form [semi-finished]; foils of cellulose for use in manufacture; thermoplastic resins reinforced with natural fibers [semi-finished products]; semi-processed natural resins; semi-processed resins; fibres impregnated with synthetic resins for use in manufacture.

(260) AM 2020 103910 A

(800) 1475162

(151) 2019 04 02

(891) 2019 04 02

(731) ADP GAUSELMANN GMBH

Merkur-Allee 1-15, 32339 Espelkamp,
Germany

(540)

Fruits Formidable

(591) Black, white

(511)

9 – Computer software; coin-operated mechanisms; computer and video games software; games software in particular for use on any computer platform, including electronic entertainment and games consoles; computer game programs; video games (software); computer games provided through a global computer network or supplied by means of multi-media electronic broadcast or through telecommunications or electronic transmission or via the Internet; computer games, leisure and recreational software, video games and computer software, all being provided in the form of storage media; programs for operating electric and electronic apparatus for games, amusement and/or entertainment purposes; computer software for computer games on the internet; online games (software), in particular for online betting games, online prize games, online gambling games, online games of skill and online casino games; computer software in the form of an app for mobile devices and computers; calculating apparatus in coin-operated machines and parts for the aforesaid goods; electric, electronic, optical or automatic apparatus, for identifying data carriers, identity cards and credit cards, bank notes and coins; software in particular for casino and/or amusement arcade games, for gaming machines and/or slot machines each one with or without prize payouts; gaming software that generates or displays wager outcomes of gaming machines; operational computer games software; computer software for managing of games (game collection); computer programs for video games; computer video game software.

28 – Games; toys; gaming apparatus (including coin-operated apparatus); coin-operated arcade games (machines); games for amusement arcades (included in this class); coin-operated video gaming apparatus; video games apparatus adapted for use with external screens or monitors only; casino fittings namely roulette tables, roulette wheels; coin-operated automatic gaming machines and gaming machines, in particular for gaming arcades, with or without a prize payout; electronic or electrotechnical gaming apparatus, automatic gaming machines, gaming machines, slot machines operated by coins, tokens, banknotes, tickets or by means of electronic, magnetic or biometric storage media, in particular for commercial use in casinos and amusement arcades, with or without a prize payout; automatic gaming machines and gaming machines, in particular for commercial use in casinos and gaming arcades, with or without a prize payout; coin-operated gaming machines and/or electronic money-based gaming apparatus (machines) with or without prizes; housings adapted for gaming machines, gaming apparatus and automatic gaming machines, operated by means of coins, tokens, tickets or by means of electronic, magnetic or biometric storage media, in particular for commercial use in casinos and gaming arcades, with or

without a prize payout; electronic games; electronic game entertainment apparatus and parts thereof; video output game machines; drawing apparatus for prize games and lotteries, draws or raffles; housings of metal, plastic and/or wood adapted for coin-operated automatic amusement machines; apparatus for games (including video games), other than adapted for use with external screens or monitors only; electropneumatic and electric slot machines with pulling handles (gaming machines); gaming tables, in particular for table football, billiards, sliding games; flying discs (toys) and darts; gaming machines, namely electric, electronic or electromechanical apparatus for bingo games, lotteries or video lottery games and for betting offices, connected or unconnected to a computer network; LCD games consoles; automatic gaming machines; all the aforesaid automatic machines operating in networks; apparatus and devices for accepting and storing money, being fittings for the aforesaid automatic machines, included in this class; automatic lottery machines.

(260) AM 2020 103911 A

(800) 1475191

(151) 2019 02 07

(891) 2019 02 07

(731) NAU S.p.A.

Via S.e.P. Mazzucchelli, 7, I-21043

CASTIGLIONE OLONA (VA), Italy

(540)



(591) Green and light green

(531) 24.17.04; 27.05.10; 29.01.12

(511)

9 – Optical apparatus and instruments; spectacles [optics], optical glasses, sunglasses, protective masks, goggles for sports, safety masks and goggles, parts and fittings therefor; spectacle frames; bars for spectacles; lens; spectacle lenses; correcting lenses; contact lenses; ophthalmic lenses; chains and cords for spectacles; spectacle cases; contact lens holders; credit cards; payment cards; prepaid encoded magnetic cards; computer hardware and computer software for medical education and for use in the management of sales outlets for optics; online publications relating to the optical sector.

35 – Business management; business administration; office functions; business management services in relation to franchising in the optical sector; wholesaling, retail sales and retailing in the field of optics, including via the internet, in relation to cosmetics, pharmaceutical preparations for ophthalmic purposes, ophthalmic preparations, preparations for the

care and cleaning of contact lenses, solutions for contact lenses, disinfectants for contact lenses, moist wipes for cleaning the eye and eye hygiene, vitamins and minerals for ophthalmic purposes; wholesaling, retail sales and retailing in the field of optics, including via the internet, in relation to vitamin preparations for ophthalmic purposes, mineral-based preparations for ophthalmic purposes, dietary supplements for ophthalmic purposes, optical apparatus and instruments, spectacles, optical spectacles, sunglasses, sports masks, sports goggles, protective masks and goggles, spectacle frames; wholesaling, retail sales and retailing in the field of optics, including via the internet, in relation to arms for spectacles, lenses, spectacle lenses, corrective lenses, contact lenses, ophthalmic lenses, chains and cords for spectacles, cases for spectacles and containers for contact lenses, computer hardware and software for medical training and for use in the management of sales outlets for optical goods, credit cards; wholesale services, marketing services, retailing in the field of optics, including via the internet, in relation to encoded and magnetic payment cards and prepaid cards, online publications relating to the optical sector, medical and surgical apparatus instruments for ophthalmic purposes, prosthetic devices, intraocular lenses, spectacle cases and containers for contact lenses of leather and imitations of leather; publicity services; promoting the sale of goods and services of others by planning, designing and implementing sales promotions in the optical sector; loyalty, incentive and bonus programs in the optical sector; direct mail advertising in the optical sector; planning and conduction of special promotional events in the optical sector; design of promotional materials in the optical sector; providing data processing services relating to fulfilment of promotional offers in the optical sector; preparation of promotional materials, merchandising materials, advertising catalogues and advertising manuals for others in the optical sector; professional representation for commercial purposes in the optical sector.

(260) AM 2020 103913 A
 (800) 1475238
 (151) 2019 04 11
 (891) 2019 04 11
 (731) ADALYA TOBACCO INTERNATIONAL
 GMBH
 Vogelsanger Weg 80, 40470 Düsseldorf,
 Germany
 (540)



(591) Pink, white, purple and black
 (531) 01.15.11; 02.09.01; 27.03.02; 29.01.13
 (511)
 34 – Tobacco and tobacco products (including substitutes); matches; articles for use with tobacco; flavourings, other than essential oils, for tobacco; tobacco free cigarettes, other than for medical purposes; cigarettes containing tobacco substitutes, not for medical purposes; personal vaporisers for smokers and electronic cigarettes, and flavourings and solutions therefor.

(260) AM 2020 103914 A
 (800) 1475266
 (151) 2019 02 13
 (891) 2019 02 13
 (731) SHAN TOU WELLICE DAILY
 COSMETICS, CO., LTD
 LONGMEI INDUSTRIAL DIST., HUDI
 ROAD, SHANTOU, GUANGDONG,
 China

(540)

Wellice

(591) Black, white
 (531) 27.05.01; 27.05.17
 (511)
 3 – Cakes of toilet soap; shampoos; facial cleansers; cleaning preparations; polishing preparations; perfumery; cosmetics; perfumes; hair gel; dentifrice.

(260) AM 2020 103917 A
 (800) 1475345
 (151) 2019 04 18
 (891) 2019 04 18
 (731) VALEO SERVICE
 70 rue Pleyel, F-93200 Saint-Denis, France
 (540)



(591) Black and green
 (531) 01.15.03; 27.03.12; 27.05.21; 29.01.12
 (511)
 9 – Scientific, photographic, cinematographic, optical, weighing, measuring, signaling, checking (supervision), emergency (life-saving) apparatus and instruments; apparatus and instruments for conducting, switching, transforming, accumulating, regulating or controlling electricity; apparatus for recording, transmission or reproduction of sound or ima-

ges; magnetic recording media; calculating machines, data processing equipment, computers; software; electric and electromechanical actuators for land vehicle driving and navigation assistance; optical signal transmitting electronic apparatus for land vehicles (alarms); alarms; alarms, especially with ultrasound sensors; nautical, optical, position indication, detection, safety apparatus and instruments; apparatus for locating, identification, monitoring, remote control of vehicles; measuring, signaling, position indication, detection, checking (inspection), life-saving, security apparatus and instruments; satellite navigation apparatus; navigation apparatus for vehicles (on-board computers); electronic apparatus intended for vehicle driving assistance; apparatus and instruments for electrical and electronic communication and telecommunication; fire extinguishers, protection devices for personal use against accidents; distance measuring apparatus; diagnostic apparatus not for medical use; time recording apparatus; apparatus for checking the efficiency of vehicle braking devices; electronic actuators for assisting in the driving, navigation of land vehicles; diagnostic apparatus comprising sensors for testing and reporting the operating condition of the vehicle, accidents and incidents and for diagnosing the electrical, electronic and mechanical problems of the vehicle; measuring sensors; liquid level sensors; oil level sensors; position, angle, torque and rotary speed sensors; digital sensors; pressure sensors; temperature sensors; endometric sensor; multidirectional rotary sensor; sensory sensor; sensors for the assisted driving and navigation of land vehicles; detectors; motion and motion analysis detectors; presence detectors; apparatus and software for vehicle diagnostic apparatus; automatic indicators of low pressure in vehicle tires; fire alarms; pressure indicator plugs for valves; on-board and ground diagnostic calculators; electric controls for the assistance, operation and navigation of land vehicles; speed checking apparatus for vehicles, speed governors; speedometers; speed indicators; cameras; lidars (laser detectors of obstacles); radars; sonars; decelerometers; transmitting sets (telecommunication); transmitters of electronic signals; kilometer recorders for vehicles; electric, electronic or optical equipment, on board vehicles, including land vehicles, for steering, signaling, controlling, for information, safety as well as processing of information and signals (sounds, images, data) related thereto; electronic equipment and software for vehicle location services; electric loss indicators; temperature indicators; software for communication between a motor vehicle and a fixed station; software for communication between a motor vehicle and a mobile telephone; software for connecting the driver and passengers of vehicles to a global computer network; software for detecting and warning of continuous or discontinuous line crossing for vehicles; software used for obstacle detection;

software used for navigation for vehicles; software for image analysis; obstacle detection software for autonomous vehicles; software for autonomous driving vehicles; pattern recognition software; embedded electronic module software for the broadcasting, transmission, reception, processing, diagnosis, analysis, correction of vehicle operating status information; on-board electronic modules for broadcasting, transmitting, receiving, processing, diagnosing, analyzing, correcting vehicle operating status information; electric, electronic or optical material and equipment for driving assistance, navigation, dynamic security for land vehicles, namely motion detection apparatus and cameras for land vehicle drivers; electric, electronic or optical material and equipment for driving assistance, navigation, dynamic security for land vehicles, namely dashboard cameras, dashboard navigation device holders, dashboard touchscreens for vehicles, dashboard digital screens for vehicles, touch screens placed on steering wheels for land vehicles; electrical, electronic or optical equipment and material for assisting in the driving, navigation, active safety of land vehicles, namely, on-board electronic equipment for reporting an accident or incident on board a vehicle, on-board electronic devices for automatic geolocated call dispatch in the event of a serious accident, on-board electronic devices triggered manually by the driver in the event of an incident; electronic equipment and material used for assistance in driving, navigation, active safety, evasive maneuvers, emergency braking of land vehicles, namely, laser scanner for detecting static and/or moving obstacles; computer hardware for data processing; modems; gasoline gages; on-board computers for vehicles; computer peripheral devices; GPS receivers, telephones; on-board communication networks for vehicles, microphones; on-board communication networks for vehicles, in particular multiplexed and in particular apparatus and instruments for mobile telephones known as hands-free kits with a microphone, headphones whether wired or wireless; communication system between a motor vehicle and a mobile telephone; systems for communication between a motor vehicle and a fixed station; systems for communication between vehicles and road infrastructure; systems for the wireless connection of electronic devices; wireless monitoring, regulation, control and connection systems between electronic apparatus and a land vehicle; lane-departure warning system; 3D mapping system; GPS system; on-board electronic systems in land vehicles for autonomous driving and parking; integrated electronic hazard and collision avoidance systems for automobiles; telephones; warning triangles for vehicles.

37 – Information and advice with respect to automotive spare part replacement; advice for the repair and maintenance of vehicles; information service rela-

ting to vehicle repair; information service concerning vehicle maintenance.

38 – Telecommunications; providing Internet access for vehicles; communications by computer terminals or by fiber-optic networks; communications by radio or telephone; provision of user access to global computer networks; provision of on-line forums; provision of access to databases; electronic bulletin board services (telecommunication services); connection by telecommunications to a global computer network; electronic messaging services; transmission of information via the internet, electronic mail services; transmission of information by teletypewriter, transmission of messages, telegrams, all these services being intended for drivers of motor vehicles; telecommunication and communication services for vehicle driving, detection and warning of accidents, crossing of continuous or discontinuous lines for vehicles by means of a handset or other apparatus such as telephone, mobile phone, handheld computer, electronic organizer, recovery of certain data for vehicles on devices such as telephones, mobile phones, handheld computers, electronic organizers; telecommunication and communication services for the navigation of vehicles, the communication between vehicles and road infrastructure by means of a handset or other apparatus such as telephone, mobile phone, pocket computer, electronic organizer, recovery of certain data vehicles on devices such as telephones, mobile phones, handheld computers, electronic organizers; telecommunication and communication services for the detection of obstacles by means of a handset or other apparatus such as telephone, mobile phone, pocket computer, electronic organizer, recovery of certain data for vehicles on devices such as telephones, mobile phones, handheld computers, electronic organizers; telecommunication services, namely, SMS, alert messages for drivers.

39 – Vehicle location assistance services.

42 – Technical audit of motor vehicles; vehicle road-worthiness testing; advice related to energy saving; computer data recovery; monitoring of computer systems to detect breakdowns; electronic product monitoring for fault detection; electric product monitoring for fault detection; computer system monitoring for the replacement of auto spare parts; monitoring of electronic products for the replacement of auto spare parts; electric product monitoring for the replacement of auto spare parts.

(260) AM 2020 103926 A

(800) 1475662

(151) 2019 02 21

(891) 2019 02 21

(731) HUAWEI TECHNOLOGIES CO., LTD.

Administration Building Huawei, Technologies Co., Ltd., Bantian, Longgang District, Shenzhen, China

(540)



(591) Black, white

(531) 03.07.17; 05.05.19; 05.05.20; 10.03.07

(511)

3 – Soap; hair lotions; shampoos; dishwashing liquid; polishing preparations; lipsticks; chapsticks; fumigation preparations (perfumes); perfumes; cosmetics; dentifrices; potpourris (fragrances); air fragrancing preparations.

14 – Jewellery boxes; jewelry rolls; presentation boxes for jewellery; brooches (jewellery); tie clips; jewellery of precious metals; earrings; cuff links; clocks; wristwatches; watch straps; watch chains; electronic desk clock with perpetual calendar; presentation boxes for watches; musical jewelry boxes; artificial precious stones; necklaces (jewellery); foot chains (jewellery); trophy of precious metals.

16 – Staplers; pencil-sharpening knife; folders for papers; correcting fluids (office requisites); pencil holders; pen cases; stands for pens and pencils; eyesight-protecting readingrack; ink; stamps (seals); inkpad; pens (office requisites); pencils; writing instruments; square rulers for drawing; drawing boards; drawing materials; terrestrial globes; paper; tracing paper; toilet paper; towels of paper; paper rags for cleaning purposes; white paperboards; albums; bookmarkers; greeting cards; calendars; business cards; pads (stationery); note books; ledgers (books); postcards; architects' models; sketch books; wall calendars; banners of paper; vehicle bumper stickers; pop-up books; children's storybooks; cardboard boxes; exercise books; posters; atlases; books; printed publications; children's books with electronic sound generating devices; picture posters; postage stamps; stationery; pencil sharpeners, electric or non-electric; paper shopping bags; rubber erasers; stamp cases; highlighter pens; ball-point pens.

18 – Animal skins; pocket wallets; school bags; travelling trunks; backpacks; shopping bags; bags for campers; handbags; travelling bags; trunks (luggage); bags for sports; bags; business card cases; reins for guiding children; umbrellas; walking sticks; clothing for pets; umbrellas for children; knapsack straps.

22 – Vehicle covers, not fitted; hammocks; tents; Mongolian tents; traction ropes for automobiles; mountaineering ropes; mesh bags for washing laundry; plastic straps for household purposes; groundsheets; bags for washing knitwear.

24 – Cloth; tapestry (wall hangings), of textile; towels of textile; bath towels; flooring towels; loose covers for furniture; door curtains; bedspreads;

quilts; bed linen; sleeping bags; towel blankets; table napkins of textile; handkerchiefs of textile.

25 – Shirts; clothing; tee-shirts; sports singlets; windbreak coats; cyclists' clothing; waterproof clothing; footwear; boots; sports shoes; headgear for wear; hosiery; gloves (clothing); neck scarves (mufflers); shawls; girdles; sleep masks.

26 – Embroidery; hair curlers, other than hand implements; hair barrettes; buttons; artificial flowers; lace trimmings; brassards; brooches (clothing accessories); hair curling pins; hair bands; safety pins, other than jewellery; artificial plants, other than Christmas trees.

31 – Christmas trees; barley; maize; flowers, natural; flowers, dried, for decoration; live animals; nuts (fruits); fresh fruit; fresh vegetables; plant seeds; animal foodstuffs; pet food; beverages for pets; aromatic sand (litter) for pets; stall food for animals; cat litters; livestock feed; dog food; crop seeds; fresh corsages; fresh flowers; live trees.

(260) AM 2020 103929 A

(800) 1475694

(151) 2019 05 21

(891) 2019 05 21

(731) BIO-THERA SOLUTIONS, LTD.

Floor 5, Building A6, Science Enterprise Accelerator, 11 Kaiyuan Avenue, High-tech Industrial Development Zone, Science City, Guangzhou, Guangdong Province, China

(540)

BOVRIQU

(591) Black, white

(531) 27.05.17

(511)

5 – Pharmaceutical preparations; chemico-pharmaceutical preparations; drugs for medical purposes; biological preparations for medical purposes; chemical preparations for pharmaceutical purposes; medicines for human purposes; chemical preparations for medical purposes; injectable pharmaceuticals; crude drug; biochemical drug.

(260) AM 2020 103936 A

(800) 1475740

(151) 2019 05 21

(891) 2019 05 21

(731) BIO-THERA SOLUTIONS, LTD.

Floor 5, Building A6, Science Enterprise Accelerator, 11 Kaiyuan Avenue, High-tech Industrial Development Zone, Science City, Guangzhou, Guangdong Province, China

(540)

FRIBEVI

(591) Black, white

(531) 27.05.01; 27.05.17

(511)

5 – Pharmaceutical preparations; chemico-pharmaceutical preparations; drugs for medical purposes; biological preparations for medical purposes; chemical preparations for pharmaceutical purposes; medicines for human purposes; chemical preparations for medical purposes; injectable pharmaceuticals; crude drug; biochemical drug.

(260) AM 2020 103993 A

(800) 1475941

(151) 2019 04 03

(891) 2019 04 03

(731) HUAWEI TECHNOLOGIES CO., LTD.

HUAWEI ADMINISTRATION BUILDING,
BANTIAN, LONGGANG DISTRICT,
SHENZHEN, 518129 GUANGDONG,
China

(540)

EMUI Wear

(591) Black, white

(511)

9 – Smart glasses (data processing); smart watches (data processing); computer hardware; computer memory devices; integrated circuit cards [smart cards]; sleeves for laptops; tablet computers; covers for tablet computers; stands adapted for tablet computers; flat panel display screens; flexible flat panel displays for computers; laptop computers; notebook computers; bags adapted for laptops; computer keyboards; mouse [computer peripheral]; computer programs, recorded; computer software applications, downloadable; black boxes [data recorders]; interactive touch screen terminals; humanoid robots with artificial intelligence; electronic sheet music, downloadable; smart rings (data processing); security tokens [encryption devices]; personal digital assistants [PDAs]; computer software platforms, recorded or downloadable; thin client computers; hand-held electronic dictionaries; computer screen saver software, recorded or downloadable; computer software, recorded; downloadable graphics for mobile phones; wearable computers; downloadable mobile phone software applications; downloadable emoticons for mobile phones; computer operating programs, recorded; large-screen liquid crystal displays [LCDs]; electronic diaries; LCDs [liquid crystal displays]; electronic pens; video printers; computer styluses; computer programs, downloadable; pedometers; handprint readers; facial recognition equipment; scales; bathroom scales; scales with body mass analyzers; portable digital electronic scales; smartphones; wearable activity trackers; cases for smartphones; covers for smartphones; protective films adapted for smartphones; transponders; equipment for communi-

cation network; modems; switchboards; transmitters of electronic signals; transmitting sets [telecommunication]; program-controlled telephone switching equipment; radios; telecommunication apparatus in the form of jewelry; selfie sticks for use with mobile phones; stands adapted for mobile phones; intercoms; wrist-mounted smartphones; digital photo frames; microphones; cabinets for loudspeakers; headphones; earphones; virtual reality headsets; car digital video recorders; set-top boxes; loudspeakers; portable media players; sound transmitting apparatus; camcorders; monitoring apparatus, other than for medical purposes; video monitors; audio interfaces; electric and electronic effects units for musical instruments; equalizers [audio apparatus]; security surveillance robots; wearable video display monitors; television apparatus; car televisions; ultra high definition televisions; liquid crystal display (LCD) televisions; selfie sticks [hand-held monopods]; cameras [photography]; thermal imaging cameras; selfie lenses; connected bracelets [measuring instruments]; gas testing instruments; digital weather stations; biochips; infrared detectors; air analysis apparatus; laboratory robots; teaching robots; optical lenses; materials for electricity mains [wires, cables]; USB cables; USB cables for cellphones; electronic key fobs being remote control apparatus; video screens; integrated circuits; electronic chips; touch screens; electric plugs; electric sockets; sensor; digital door locks; alarm central units; batteries, electric; battery chargers; power bank (rechargeable batteries).

35 – Presentation of goods on communication media, for retail purposes; advertising; on-line advertising on a computer network; price comparison services; business information; commercial information and advice for consumers [consumer advice shop]; business management assistance; provision of an online marketplace for buyers and sellers of goods and services; sales promotion for others; marketing; providing information in the field of marketing; alcoholic beverage procurement services for others [purchasing goods for other businesses]; providing marketing consulting in the field of social media; outsourcing services in the nature of arranging procurement of goods for others; import-export agencies; search engine optimization for sales promotion; data search in computer files for others; accounting; business auditing; account auditing; accounting services for mergers and acquisitions; accounting for third parties; consulting and information concerning accounting.

38 – Radio broadcasting; message sending; providing Internet chatrooms; providing user access to global computer networks; providing access to databases; transmission of digital files; streaming of data; teleconferencing services; cellular telephone communication; videoconferencing services; video-

on-demand transmission; computer aided transmission of messages and images.

41 – Business training; education; training; training services provided via simulators; providing information about online education; organization of competitions [education or entertainment]; arranging and conducting of colloquiums; arranging and conducting of symposiums; arranging and conducting of conferences; arranging and conducting of concerts; arranging and conducting of in-person educational forums; online publication of electronic books and journals; providing online electronic publications, not downloadable; electronic game room services; preparing subtitles for movies; production of radio and television programmes; providing online music, not downloadable; providing online videos, not downloadable; providing films, not downloadable, via video-on-demand services; providing television programs, not downloadable, via video-on-demand services; providing recreation facilities; entertainment information; game services provided online from a computer network; conducting fitness classes; audio and video recording services; providing entertainment information via a web site; entertainment services; conducting guided tours; ticket agency services [entertainment].

42 – Technical research; research and development of new products for others; scientific research; technical project studies; telecommunications technology consultancy; computer programming; computer software design; updating of computer software; consultancy in the design and development of computer hardware; maintenance of computer software; recovery of computer data; conversion of data or documents from physical to electronic media; computer system design; creating and maintaining web sites for others; data conversion of computer programs and data [not physical conversion]; computer software consultancy; rental of web servers; providing search engines for the Internet; web site design consultancy; information technology [IT] consultancy; electronic data storage; providing information on computer technology and programming via a web site; cloud computing; computer technology consultancy; computer security consultancy; developing of driver and operating system software.

(260) AM 2020 103994 A

(800) 1475947

(151) 2019 04 03

(891) 2019 04 03

(731) HUAWEI TECHNOLOGIES CO., LTD.

HUAWEI ADMINISTRATION BUILDING,
BANTIAN, LONGGANG DISTRICT, SHENZHEN,
518129 GUANGDONG, China

(540)

EMUI HD

(591) Black, white

(511)

9 – Smart glasses (data processing); smart watches (data processing); computer hardware; computer memory devices; integrated circuit cards [smart cards]; sleeves for laptops; tablet computers; covers for tablet computers; stands adapted for tablet computers; flat panel display screens; flexible flat panel displays for computers; laptop computers; notebook computers; bags adapted for laptops; computer keyboards; mouse [computer peripheral]; computer programs, recorded; computer software applications, downloadable; black boxes [data recorders]; interactive touch screen terminals; humanoid robots with artificial intelligence; electronic sheet music, downloadable; smart rings (data processing); security tokens [encryption devices]; personal digital assistants [PDAs]; computer software platforms, recorded or downloadable; thin client computers; hand-held electronic dictionaries; computer screen saver software, recorded or downloadable; computer software, recorded; downloadable graphics for mobile phones; wearable computers; downloadable mobile phone software applications; downloadable emoticons for mobile phones; computer operating programs, recorded; large-screen liquid crystal displays [LCDs]; electronic diaries; LCDs [liquid crystal displays]; electronic pens; video printers; computer styluses; computer programs, downloadable; pedometers; handprint readers; facial recognition equipment; scales; bathroom scales; scales with body mass analyzers; portable digital electronic scales; smartphones; wearable activity trackers; cases for smartphones; covers for smartphones; protective films adapted for smartphones; transponders; equipment for communication network; modems; switchboards; transmitters of electronic signals; transmitting sets [telecommunication]; program-controlled telephone switching equipment; radios; telecommunication apparatus in the form of jewelry; selfie sticks for use with mobile phones; stands adapted for mobile phones; intercoms; wrist-mounted smartphones; digital photo frames; microphones; cabinets for loudspeakers; headphones; earphones; virtual reality headsets; car digital video recorders; set-top boxes; loudspeakers; portable media players; sound transmitting apparatus; camcorders; monitoring apparatus, other than for medical purposes; video monitors; audio interfaces; electric and electronic effects units for musical instruments; equalizers [audio apparatus]; security surveillance robots; wearable video display monitors; television apparatus; car televisions; ultra high definition televisions; liquid crystal display (LCD) televisions; selfie sticks [hand-held monopods]; cameras [photography]; thermal imaging cameras; selfie lenses; connected bracelets [measuring instruments]; gas testing instruments; digital weather stations; biochips; infrared detectors; air analysis apparatus; laboratory robots; teaching robots; optical len-

ses; materials for electricity mains [wires, cables]; USB cables; USB cables for cellphones; electronic key fobs being remote control apparatus; video screens; integrated circuits; electronic chips; touch screens; electric plugs; electric sockets; sensor; digital door locks; alarm central units; batteries, electric; battery chargers; power bank (rechargeable batteries).

35 – Presentation of goods on communication media, for retail purposes; advertising; on-line advertising on a computer network; price comparison services; business information; commercial information and advice for consumers [consumer advice shop]; business management assistance; provision of an online marketplace for buyers and sellers of goods and services; sales promotion for others; marketing; providing information in the field of marketing; alcoholic beverage procurement services for others [purchasing goods for other businesses]; providing marketing consulting in the field of social media; outsourcing services in the nature of arranging procurement of goods for others; import-export agencies; search engine optimization for sales promotion; data search in computer files for others; accounting; business auditing; account auditing; accounting services for mergers and acquisitions; accounting for third parties; consulting and information concerning accounting.

38 – Radio broadcasting; message sending; providing Internet chatrooms; providing user access to global computer networks; providing access to databases; transmission of digital files; streaming of data; teleconferencing services; cellular telephone communication; videoconferencing services; video-on-demand transmission; computer aided transmission of messages and images.

41 – Business training; education; training; training services provided via simulators; providing information about online education; organization of competitions [education or entertainment]; arranging and conducting of colloquiums; arranging and conducting of symposiums; arranging and conducting of conferences; arranging and conducting of concerts; arranging and conducting of in-person educational forums; online publication of electronic books and journals; providing online electronic publications, not downloadable; electronic game room services; preparing subtitles for movies; production of radio and television programmes; providing online music, not downloadable; providing online videos, not downloadable; providing films, not downloadable, via video-on-demand services; providing television programs, not downloadable, via video-on-demand services; providing recreation facilities; entertainment information; game services provided online from a computer network; conducting fitness classes; audio and video recording services; providing entertainment information via a web site; entertain-

ment services; conducting guided tours; ticket agency services [entertainment].

42 – Technical research; research and development of new products for others; scientific research; technical project studies; telecommunications technology consultancy; computer programming; computer software design; updating of computer software; consultancy in the design and development of computer hardware; maintenance of computer software; recovery of computer data; conversion of data or documents from physical to electronic media; computer system design; creating and maintaining web sites for others; data conversion of computer programs and data [not physical conversion]; computer software consultancy; rental of web servers; providing search engines for the Internet; web site design consultancy; information technology [IT] consultancy; electronic data storage; providing information on computer technology and programming via a web site; cloud computing; computer technology consultancy; computer security consultancy; developing of driver and operating system software.

(260) AM 2020 103995 A

(800) 1475951

(151) 2019 04 11

(891) 2019 04 11

(731) HUAWEI TECHNOLOGIES CO., LTD.
HUAWEI ADMINISTRATION BUILDING,
BANTIAN, LONGGANG DISTRICT,
SHENZHEN, 518129 GUANGDONG,
China

(540)



(591) Black, white

(531) 27.01; 27.01.02

(511)

9 – Smart glasses (data processing); smart watches (data processing); smartphones; wearable activity trackers; cases for smartphones; covers for smartphones; protective films adapted for smartphones; digital photo frames; microphones; computer hardware; computer memory devices; integrated circuit cards [smart cards]; transponders; cabinets for loudspeakers; equipment for communication network; modems; sleeves for laptops; batteries, electric; battery chargers; power bank (rechargeable batteries); tablet computers; covers for tablet computers; stands adapted for tablet computers; flat panel display screens; flexible flat panel displays for computers; laptop computers; notebook computers; bags adap-

ted for laptops; headphones; earphones; virtual reality headsets; car digital video recorders; set-top boxes; loudspeakers; portable media players; sound transmitting apparatus; camcorders; cameras [photography]; computer keyboards; mouse [computer peripheral]; pedometers; monitoring apparatus, other than for medical purposes; video monitors; connected bracelets [measuring instruments]; computer programs, recorded; computer software applications, downloadable; optical lenses; switchboards; transmitters of electronic signals; transmitting sets [telecommunication]; gas testing instruments; scales; black boxes [data recorders]; interactive touch screen terminals; humanoid robots with artificial intelligence; electronic sheet music, downloadable; smart rings (data processing); audio interfaces; electric and electronic effects units for musical instruments; equalizers [audio apparatus]; digital weather stations; biochips; infrared detectors; electronic key fobs being remote control apparatus; security tokens [encryption devices]; handprint readers; facial recognition equipment; program-controlled telephone switching equipment; radios; air analysis apparatus; materials for electricity mains [wires, cables]; video screens; integrated circuits; electronic chips; thermal imaging cameras; bathroom scales; scales with body mass analyzers; personal digital assistants [PDAs]; computer software platforms, recorded or downloadable; thin client computers; hand-held electronic dictionaries; computer screen saver software, recorded or downloadable; central processing units for processing information, data, sound or images; downloadable graphics for mobile phones; wearable computers; telecommunication apparatus in the form of jewelry; selfie sticks for use with mobile phones; security surveillance robots; wearable video display monitors; selfie lenses; laboratory robots; teaching robots; USB cables; USB cables for cellphones; downloadable mobile phone software applications; touch screens; television apparatus; electric plugs; electric sockets; intercoms; digital door locks; alarm central units; sensor; downloadable emoticons for mobile phones; computer operating programs, recorded; large-screen liquid crystal displays [LCDs]; electronic diaries; LCDs [liquid crystal displays]; electronic pens; video printers; portable digital electronic scales; stands adapted for mobile phones; wrist-mounted smartphones; car televisions; computer styluses; computer programs, downloadable; computer software, recorded; touch screen pens.

(260) AM 2020 103996 A

(800) 1475962

(151) 2019 04 01

(891) 2019 04 01

(731) Klaus Faber AG

Lebacher Straße 152 – 156, 66113
Saarbrücken, Germany

(540)



(591) Black, white

(531) 01.15.09; 01.15.24; 07.01.13; 07.01.16

(511)

6 – Unprocessed and semi-processed materials of metal; pipes, tubes and hoses, and fittings therefor, including valves, of metal; downpoles of metal for the accessing of cables; downpoles of metal for the distribution of cables; trunking [channels] of metal for electric cables; cable ducts made of metal [other than electricity]; clips of metal for cables and pipes; non-electrical cables, wires and chains, of metal; reels of metal [non-mechanical] for storing cables; cable stretchers; cable supports made of metal; binding screws of metal for cables; cable straps of metal; metal hardware; ducts of metal for ventilating and air conditioning installations; ducts made of metal for trunking conduits for gases.

9 – Cable harnesses; cable modems; cable connectors; cable adapters; cable detectors; cables for transmitting and receiving cable television signals; electric cables for the transmission of sounds and images; cable television converters; USB cables; luminous USB cables; telecommunications cables; data transmission cables; USB cables for cellphones; data synchronization cables; electric cables and wires; mobile High-Definition Link (MHL) cables; threaded electrical cable connectors; electric wiring harnesses; conductor bars; ducting for electric cables; cable channels (electric-); cable covers [conduits]; wire connectors [electricity]; electrical connecting cables; insulated electrical cables; heat resistant electric wires; thermocouple cables; junction sleeves for electric cables; insulated cable for electrical installations; male connectors for electrical cables; connections for electric cables; threaded cable connectors of metal; identification threads for electric wires; cables for electrical signal transmission; joint boxes for housing cable joints; materials for electricity mains [wires, cables]; cable locators; power wires; current plugs; electricity conduits; power adapters; power distributors [electrical]; current-meters; apparatus and instruments for accumulating electricity; power line conditioners; power line protectors; apparatus and instruments for conducting electricity; ducts [electricity]; line drivers; electromagnetic conduits; conduit couplings [electric]; metal ducts [electric]; cables, electric; wires, electric;

interface cables [electric]; electrical power extension cords; mounting cords [electrical]; insulated electrical cables; rubber covered electrical wires; heat resistant electric wires; connections for electric cables; junction boxes for electric wires; sheaths for electrical wires; circuits for heavy current; aerial cables for heavy currents; electric ship cables; electrical connector for shore power transfer to ships; charging current distributor for ships.

16 – Printed matter; adhesives for stationery or household purposes; paper and cardboard; stationery and educational supplies; bags and articles for packaging, wrapping and storage of paper, cardboard or plastics; packing cardboard; packaging materials; paper padding; plastic bubble packs for wrapping or packaging; printed packaging materials of paper; advertising pamphlets; promotional publications; printed promotional material; signboards of paper or cardboard.

35 – Retail and wholesale services relating to cables, wires and other electrical goods, in particular copper ropes, including via the Internet; information on commercial matters, including via the Internet, cable network or other forms of data transmission; electronic processing of orders; advertising, marketing and sales promotion; business management; market research and market analyses; online advertising; online ordering services; compilation of online business directories.

39 – Electricity distribution via cables; supply of electricity; leasing the use of power lines to third parties for the transmission of electricity; storage of goods, namely electrical equipment; packaging and storage of goods; transportation and storage; storage and delivery of goods; parcel receipt services; storage of packages; storage of cargo; distribution by pipeline and cable.

40 – Metal fabrication and finishing services; custom manufacture of metal hardware; custom manufacture of elastomeric components; custom manufacture of thermoplastic components; custom manufacture of semiconductor components, devices and circuits; coppersmithing; rental of assembly machine equipment; custom assembling of materials for others; heat treatment of pipes and tubes made of metal; exterior and interior plating of pipes and tubes made of metal; photogravure printing; custom manufacture of rubber stamps; processing of rubber.

(260) AM 2020 103997 A

(800) 1475963

(151) 2019 04 01

(891) 2019 04 01

(731) Klaus Faber AG

Lebacher Straße 152 – 156, 66113
Saarbrücken, Germany

(540)



(591) Grey, blue and white

(531) 01.15.09; 01.15.24; 07.01.13; 07.01.16;
29.01.12

(511)

6 – Unprocessed and semi-processed materials of metal; pipes, tubes and hoses, and fittings therefor, including valves, of metal; downpoles of metal for the accessing of cables; downpoles of metal for the distribution of cables; trunking [channels] of metal for electric cables; cable ducts made of metal [other than electricity]; clips of metal for cables and pipes; non-electrical cables, wires and chains, of metal; reels of metal [non-mechanical] for storing cables; cable stretchers; cable supports made of metal; binding screws of metal for cables; cable straps of metal; metal hardware; ducts of metal for ventilating and air conditioning installations; ducts made of metal for trunking conduits for gases.

9 – Cable harnesses; cable modems; cable connectors; cable adapters; cable detectors; cables for transmitting and receiving cable television signals; electric cables for the transmission of sounds and images; cable television converters; USB cables; luminous USB cables; telecommunications cables; data transmission cables; USB cables for cellphones; data synchronization cables; electric cables and wires; mobile High-Definition Link (MHL) cables; threaded electrical cable connectors; electric wiring harnesses; conductor bars; ducting for electric cables; cable channels (electric-); cable covers [conduits]; wire connectors [electricity]; electrical connecting cables; insulated electrical cables; heat resistant electric wires; thermocouple cables; junction sleeves for electric cables; insulated cable for electrical installations; male connectors for electrical cables; connections for electric cables; threaded cable connectors of metal; identification threads for electric wires; cables for electrical signal transmission; joint boxes for housing cable joints; materials for electricity mains [wires, cables]; cable locators; power wires; current plugs; electricity conduits; power adapters; power distributors [electrical]; current-meters; apparatus and instruments for accumulating electricity; power line conditioners; power line protectors; apparatus and instruments for conducting electricity; ducts [electricity]; line drivers; electro-

magnetic conduits; conduit couplings [electric]; metal ducts [electric]; cables, electric; wires, electric; interface cables [electric]; electrical power extension cords; mounting cords [electrical]; insulated electrical cables; rubber covered electrical wires; heat resistant electric wires; connections for electric cables; junction boxes for electric wires; sheaths for electrical wires; circuits for heavy current; aerial cables for heavy currents; electric ship cables; electrical connector for shore power transfer to ships; charging current distributor for ships.

16 – Printed matter; adhesives for stationery or household purposes; paper and cardboard; stationery and educational supplies; bags and articles for packaging, wrapping and storage of paper, cardboard or plastics; packing cardboard; packaging materials; paper padding; plastic bubble packs for wrapping or packaging; printed packaging materials of paper; advertising pamphlets; promotional publications; printed promotional material; signboards of paper or cardboard.

35 – Retail and wholesale services relating to cables, wires and other electrical goods, in particular copper ropes, including via the Internet; information on commercial matters, including via the Internet, cable network or other forms of data transmission; electronic processing of orders; advertising, marketing and sales promotion; business management; market research and market analyses; online advertising; online ordering services; compilation of online business directories.

39 – Electricity distribution via cables; supply of electricity; leasing the use of power lines to third parties for the transmission of electricity; storage of goods, namely electrical equipment; packaging and storage of goods; transportation and storage; storage and delivery of goods; parcel receipt services; storage of packages; storage of cargo; distribution by pipeline and cable.

40 – Metal fabrication and finishing services; custom manufacture of metal hardware; custom manufacture of elastomeric components; custom manufacture of thermoplastic components; custom manufacture of semiconductor components, devices and circuits; coppersmithing; rental of assembly machine equipment; custom assembling of materials for others; heat treatment of pipes and tubes made of metal; exterior and interior plating of pipes and tubes made of metal; photogravure printing; custom manufacture of rubber stamps; processing of rubber.

(260) AM 2020 103998 A

(800) 1475965

(151) 2019 04 01

(891) 2019 04 01

(731) Klaus Faber AG

Lebacher Straße 152 – 156, 66113
Saarbrücken, Germany

(540)

Friesland Kabel



(591) Black, white

(531) 01.15.09; 01.15.24; 07.01.13; 07.01.16;
27.05.01

(511)

6 – Unprocessed and semi-processed materials of metal; pipes, tubes and hoses, and fittings therefor, including valves, of metal; downpoles of metal for the accessing of cables; downpoles of metal for the distribution of cables; trunking [channels] of metal for electric cables; cable ducts made of metal [other than electricity]; clips of metal for cables and pipes; non-electrical cables, wires and chains, of metal; reels of metal [non-mechanical] for storing cables; cable stretchers; cable supports made of metal; binding screws of metal for cables; cable straps of metal; metal hardware; ducts of metal for ventilating and air conditioning installations; ducts made of metal for trunking conduits for gases.

9 – Cable harnesses; cable modems; cable connectors; cable adapters; cable detectors; cables for transmitting and receiving cable television signals; electric cables for the transmission of sounds and images; cable television converters; USB cables; luminous USB cables; telecommunications cables; data transmission cables; USB cables for cellphones; data synchronization cables; electric cables and wires; mobile High-Definition Link (MHL) cables; threaded electrical cable connectors; electric wiring harnesses; conductor bars; ducting for electric cables; cable channels (electric-); cable covers [conduits]; wire connectors [electricity]; electrical connecting cables; insulated electrical cables; heat resistant electric wires; thermocouple cables; junction sleeves for electric cables; insulated cable for electrical installations; male connectors for electrical cables; connections for electric cables; threaded cable connectors of metal; identification threads for electric wires; cables for electrical signal transmission; joint boxes for housing cable joints; materials for electricity mains [wires, cables]; cable locators; power wires; current plugs; electricity conduits; power adapters; power distributors [electrical]; current-meters; apparatus and instruments for accumulating electricity; power line conditioners; power line protectors; apparatus and instruments for conducting electricity; ducts [electricity]; line drivers; electromagnetic conduits; conduit couplings [electric]; me-

tal ducts [electric]; cables, electric; wires, electric; interface cables [electric]; electrical power extension cords; mounting cords [electrical]; insulated electrical cables; rubber covered electrical wires; heat resistant electric wires; connections for electric cables; junction boxes for electric wires; sheaths for electrical wires; circuits for heavy current; aerial cables for heavy currents; electric ship cables; electrical connector for shore power transfer to ships; charging current distributor for ships.

16 – Printed matter; adhesives for stationery or household purposes; paper and cardboard; stationery and educational supplies; bags and articles for packaging, wrapping and storage of paper, cardboard or plastics; packing cardboard; packaging materials; paper padding; plastic bubble packs for wrapping or packaging; printed packaging materials of paper; advertising pamphlets; promotional publications; printed promotional material; signboards of paper or cardboard.

35 – Retail and wholesale services relating to cables, wires and other electrical goods, in particular copper ropes, including via the Internet; information on commercial matters, including via the Internet, cable network or other forms of data transmission; electronic processing of orders; advertising, marketing and sales promotion; business management; market research and market analyses; online advertising; online ordering services; compilation of online business directories.

39 – Electricity distribution via cables; supply of electricity; leasing the use of power lines to third parties for the transmission of electricity; storage of goods, namely electrical equipment; packaging and storage of goods; transportation and storage; storage and delivery of goods; parcel receipt services; storage of packages; storage of cargo; distribution by pipeline and cable.

40 – Metal fabrication and finishing services; custom manufacture of metal hardware; custom manufacture of elastomeric components; custom manufacture of thermoplastic components; custom manufacture of semiconductor components, devices and circuits; coppersmithing; rental of assembly machine equipment; custom assembling of materials for others; heat treatment of pipes and tubes made of metal; exterior and interior plating of pipes and tubes made of metal; photogravure printing; custom manufacture of rubber stamps; processing of rubber.

(260) AM 2020 103999 A

(800) 1475966

(151) 2019 04 01

(891) 2019 04 01

(731) Klaus Faber AG

Lebacher Straße 152-156, 66113 Saarbrücken,
Germany

(540)



(591) Grey and white

(531) 01.15.09; 01.15.24; 07.01.13; 07.01.16;
27.05.01

(511)

6 – Unprocessed and semi-processed materials of metal; pipes, tubes and hoses, and fittings therefor, including valves, of metal; downpoles of metal for the accessing of cables; downpoles of metal for the distribution of cables; trunking [channels] of metal for electric cables; cable ducts made of metal [other than electricity]; clips of metal for cables and pipes; non-electrical cables, wires and chains, of metal; reels of metal [non-mechanical] for storing cables; cable stretchers; cable supports made of metal; binding screws of metal for cables; cable straps of metal; metal hardware; ducts of metal for ventilating and air conditioning installations; ducts made of metal for trunking conduits for gases.

9 – Cable harnesses; cable modems; cable connectors; cable adapters; cable detectors; cables for transmitting and receiving cable television signals; electric cables for the transmission of sounds and images; cable television converters; USB cables; luminous USB cables; telecommunications cables; data transmission cables; USB cables for cellphones; data synchronization cables; electric cables and wires; mobile High-Definition Link (MHL) cables; threaded electrical cable connectors; electric wiring harnesses; conductor bars; ducting for electric cables; cable channels (electric-); cable covers [conduits]; wire connectors [electricity]; electrical connecting cables; insulated electrical cables; heat resistant electric wires; thermocouple cables; junction sleeves for electric cables; insulated cable for electrical installations; male connectors for electrical cables; connections for electric cables; threaded cable connectors of metal; identification threads for electric wires; cables for electrical signal transmission; joint boxes for housing cable joints; materials for electricity mains [wires, cables]; cable locators; power wires; current plugs; electricity conduits; power adapters; power distributors [electrical]; current-meters; apparatus and instruments for accumulating electricity; power line conditioners; power line protectors; apparatus and instruments for conducting electricity; ducts [electricity]; line drivers; electromagnetic conduits; conduit couplings [electric]; metal ducts [electric]; cables, electric; wires, electric;

interface cables [electric]; electrical power extension cords; mounting cords [electrical]; insulated electrical cables; rubber covered electrical wires; heat resistant electric wires; connections for electric cables; junction boxes for electric wires; sheaths for electrical wires; circuits for heavy current; aerial cables for heavy currents; electric ship cables; electrical connector for shore power transfer to ships; charging current distributor for ships.

16 – Printed matter; adhesives for stationery or household purposes; paper and cardboard; stationery and educational supplies; bags and articles for packaging, wrapping and storage of paper, cardboard or plastics; packing cardboard; packaging materials; paper padding; plastic bubble packs for wrapping or packaging; printed packaging materials of paper; advertising pamphlets; promotional publications; printed promotional material; signboards of paper or cardboard.

35 – Retail and wholesale services relating to cables, wires and other electrical goods, in particular copper ropes, including via the Internet; information on commercial matters, including via the Internet, cable network or other forms of data transmission; electronic processing of orders; advertising, marketing and sales promotion; business management; market research and market analyses; online advertising; online ordering services; compilation of online business directories.

39 – Electricity distribution via cables; supply of electricity; leasing the use of power lines to third parties for the transmission of electricity; storage of goods, namely electrical equipment; packaging and storage of goods; transportation and storage; storage and delivery of goods; parcel receipt services; storage of packages; storage of cargo; distribution by pipeline and cable.

40 – Metal fabrication and finishing services; custom manufacture of metal hardware; custom manufacture of elastomeric components; custom manufacture of thermoplastic components; custom manufacture of semiconductor components, devices and circuits; coppersmithing; rental of assembly machine equipment; custom assembling of materials for others; heat treatment of pipes and tubes made of metal; exterior and interior plating of pipes and tubes made of metal; photogravure printing; custom manufacture of rubber stamps; processing of rubber.

(260) AM 2020 104000 A

(800) 1475968

(151) 2019 04 01

(891) 2019 04 01

(731) Klaus Faber AG

Lebacher Straße 152 – 156, 66113
Saarbrücken, Germany

(540)



(591) Blue, grey and white

(531) 01.15.09; 01.15.24; 07.01.13; 07.01.16;
27.05.01; 29.01.13

(511)

6 – Unprocessed and semi-processed materials of metal; pipes, tubes and hoses, and fittings therefor, including valves, of metal; downpoles of metal for the accessing of cables; downpoles of metal for the distribution of cables; trunking [channels] of metal for electric cables; cable ducts made of metal [other than electricity]; clips of metal for cables and pipes; non-electrical cables, wires and chains, of metal; reels of metal [non-mechanical] for storing cables; cable stretchers; cable supports made of metal; binding screws of metal for cables; cable straps of metal; metal hardware; ducts of metal for ventilating and air conditioning installations; ducts made of metal for trunking conduits for gases.

9 – Cable harnesses; cable modems; cable connectors; cable adapters; cable detectors; cables for transmitting and receiving cable television signals; electric cables for the transmission of sounds and images; cable television converters; USB cables; luminous USB cables; telecommunications cables; data transmission cables; USB cables for cellphones; data synchronization cables; electric cables and wires; mobile High-Definition Link (MHL) cables; threaded electrical cable connectors; electric wiring harnesses; conductor bars; ducting for electric cables; cable channels (electric-); cable covers [conduits]; wire connectors [electricity]; electrical connecting cables; insulated electrical cables; heat resistant electric wires; thermocouple cables; junction sleeves for electric cables; insulated cable for electrical installations; male connectors for electrical cables; connections for electric cables; threaded cable connectors of metal; identification threads for electric wires; cables for electrical signal transmission; joint boxes for housing cable joints; materials for electricity mains [wires, cables]; cable locators; power wires; current plugs; electricity conduits; power adapters; power distributors [electrical]; current-meters; apparatus and instruments for accumulating electricity; power line conditioners; power line protectors; apparatus and instruments for conducting electricity; ducts [electricity]; line drivers; electromagnetic conduits; conduit couplings [electric]; metal ducts [electric]; cables, electric; wires, electric;

interface cables [electric]; electrical power extension cords; mounting cords [electrical]; insulated electrical cables; rubber covered electrical wires; heat resistant electric wires; connections for electric cables; junction boxes for electric wires; sheaths for electrical wires; circuits for heavy current; aerial cables for heavy currents; electric ship cables; electrical connector for shore power transfer to ships; charging current distributor for ships.

16 – Printed matter; adhesives for stationery or household purposes; paper and cardboard; stationery and educational supplies; bags and articles for packaging, wrapping and storage of paper, cardboard or plastics; packing cardboard; packaging materials; paper padding; plastic bubble packs for wrapping or packaging; printed packaging materials of paper; advertising pamphlets; promotional publications; printed promotional material; signboards of paper or cardboard.

35 – Retail and wholesale services relating to cables, wires and other electrical goods, in particular copper ropes, including via the Internet; information on commercial matters, including via the Internet, cable network or other forms of data transmission; electronic processing of orders; advertising, marketing and sales promotion; business management; market research and market analyses; online advertising; online ordering services; compilation of online business directories.

39 – Electricity distribution via cables; supply of electricity; leasing the use of power lines to third parties for the transmission of electricity; storage of goods, namely electrical equipment; packaging and storage of goods; transportation and storage; storage and delivery of goods; parcel receipt services; storage of packages; storage of cargo; distribution by pipeline and cable.

40 – Metal fabrication and finishing services; custom manufacture of metal hardware; custom manufacture of elastomeric components; custom manufacture of thermoplastic components; custom manufacture of semiconductor components, devices and circuits; coppersmithing; rental of assembly machine equipment; custom assembling of materials for others; heat treatment of pipes and tubes made of metal; exterior and interior plating of pipes and tubes made of metal; photogravure printing; custom manufacture of rubber stamps; processing of rubber.

(260) AM 2020 104001 A

(800) 1475970

(151) 2019 04 01

(891) 2019 04 01

(731) Klaus Faber AG

Lebacher Straße 152 – 156, 66113
Saarbrücken, Germany

(540)



(591) Grey, white and black

(531) 01.15.09; 01.15.24; 07.01.13; 07.01.16;
07.01.24

(511)

6 – Unprocessed and semi-processed materials of metal; pipes, tubes and hoses, and fittings therefor, including valves, of metal; downpoles of metal for the accessing of cables; downpoles of metal for the distribution of cables; trunking [channels] of metal for electric cables; cable ducts made of metal [other than electricity]; clips of metal for cables and pipes; non-electrical cables, wires and chains, of metal; reels of metal [non-mechanical] for storing cables; cable stretchers; cable supports made of metal; binding screws of metal for cables; cable straps of metal; metal hardware; ducts of metal for ventilating and air conditioning installations; ducts made of metal for trunking conduits for gases.

9 – Cable harnesses; cable modems; cable connectors; cable adapters; cable detectors; cables for transmitting and receiving cable television signals; electric cables for the transmission of sounds and images; cable television converters; USB cables; luminous USB cables; telecommunications cables; data transmission cables; USB cables for cellphones; data synchronization cables; electric cables and wires; mobile High-Definition Link (MHL) cables; threaded electrical cable connectors; electric wiring harnesses; conductor bars; ducting for electric cables; cable channels (electric-); cable covers [conduits]; wire connectors [electricity]; electrical connecting cables; insulated electrical cables; heat resistant electric wires; thermocouple cables; junction sleeves for electric cables; insulated cable for electrical installations; male connectors for electrical cables; connections for electric cables; threaded cable connectors of metal; identification threads for electric wires; cables for electrical signal transmission; joint boxes for housing cable joints; materials for electricity mains [wires, cables]; cable locators; power wires; current plugs; electricity conduits; power adapters; power distributors [electrical]; current-meters; apparatus and instruments for accumulating electricity; power line conditioners; power line protectors; apparatus and instruments for conducting el-

ectricity; ducts [electricity]; line drivers; electromagnetic conduits; conduit couplings [electric]; metal ducts [electric]; cables, electric; wires, electric; interface cables [electric]; electrical power extension cords; mounting cords [electrical]; insulated electrical cables; rubber covered electrical wires; heat resistant electric wires; connections for electric cables; junction boxes for electric wires; sheaths for electrical wires; circuits for heavy current; aerial cables for heavy currents; electric ship cables; electrical connector for shore power transfer to ships; charging current distributor for ships.

16 – Printed matter; adhesives for stationery or household purposes; paper and cardboard; stationery and educational supplies; bags and articles for packaging, wrapping and storage of paper, cardboard or plastics; packing cardboard; packaging materials; paper padding; plastic bubble packs for wrapping or packaging; printed packaging materials of paper; advertising pamphlets; promotional publications; printed promotional material; signboards of paper or cardboard.

35 – Retail and wholesale services relating to cables, wires and other electrical goods, in particular copper ropes, including via the Internet; information on commercial matters, including via the Internet, cable network or other forms of data transmission; electronic processing of orders; advertising, marketing and sales promotion; business management; market research and market analyses; online advertising; online ordering services; compilation of online business directories.

39 – Electricity distribution via cables; supply of electricity; leasing the use of power lines to third parties for the transmission of electricity; storage of goods, namely electrical equipment; packaging and storage of goods; transportation and storage; storage and delivery of goods; parcel receipt services; storage of packages; storage of cargo; distribution by pipeline and cable.

40 – Metal fabrication and finishing services; custom manufacture of metal hardware; custom manufacture of elastomeric components; custom manufacture of thermoplastic components; custom manufacture of semiconductor components, devices and circuits; coppersmithing; rental of assembly machine equipment; custom assembling of materials for others; heat treatment of pipes and tubes made of metal; exterior and interior plating of pipes and tubes made of metal; photogravure printing; custom manufacture of rubber stamps; processing of rubber.

(260) AM 2020 104003 A

(800) 1476014

(151) 2019 05 27

(891) 2019 05 27

(731) ROLEX SA
Rue François-Dussaud 3-5-7, CH-1211
Genève 26, Switzerland

(540)

TURN-O-GRAPH

(591) Black, white

(511)

14 – Timepieces, namely, watches, wrist-watches, component parts for timepieces and accessories for timepieces not included in other classes, clocks and other chronometric instruments, chronometers, chronographs (timepieces), watch bands, dials (timepieces), boxes and cases for timepieces and jewelry, watch movements and their parts; jewelry; precious stones and semi-precious stones; precious metals and their alloys; pins (jewelry).

(260) AM 2020 104005 A

(800) 1476111

(151) 2019 04 12

(891) 2019 04 12

(731) BIO – RAD LABORATORIES GMBH
Heidemannstr. 164, 80939 München,
Germany

(540)

Bio-Rad

(591) Black, white

(511)

1 – Chromatography chemical standards; ion exchange chromatography support resins and gels, support resins for high-pressure liquid chromatography, size exclusion and affinity chromatography; reagents and chemicals for medical and scientific research use, namely reagents for affinity chromatography; reagents for capillary chromatography; gels, reagents, chemical standards, stains, and tracking dyes for electrophoresis, for research purposes; reagents for preparative electrophoresis, for research purposes; biochemicals for mutagenesis and electrophoretic blotting; chemicals used for nucleic acid purification, amplification and detection; live cells for electroporation; reagents for biochemical imaging and analysis; chemicals for biochemical assays, immunoassay; agarose gels and chemicals for ion exchange, gel filtration, and adsorption medical tests and testing; ion exchange resins and celluloses.

5 – Reagents and chemicals for clinical, medical, and diagnostic uses, namely reagents and chemicals for hemoglobin testing, therapeutic drug monitoring, serum testing, urine testing, drug of abuse testing, and blood testing.

9 – Electrophoresis imaging instruments; preparative electrophoresis instrument and cells; pulsed-field electrophoresis instruments; nucleic acid sequencing cells for scientific purposes; blotting cells and membranes for electrophoretic transfer; microfiltration

units for laboratory use; particle delivery guns for in vivo gene transfer; gel documentation instruments for laboratory use; electroporation instruments for laboratory use; computerized biochemical imaging instruments and densitometers; biochemical micropipette readers; pipet tips, test tubes and pipeting instruments; computer programs for biochemical imaging and analysis, and for biochemical laboratory quality; hemoglobin testing instruments and parts therefor for laboratory use; DNA analyzer instruments for laboratory use; instruments for medical amino acids testing for laboratory use; instruments for infectious disease testing for laboratory use; computerized neo-natal screening instruments for scientific research; lipoprotein profile electrophoresis laboratory test unit for ion gel filtration and absorption testing; physicochemical measuring device, in particular for purposes of chromatography for laboratory use; chromatographic workstation instruments, chart recorders, fraction collectors and apparatus for monitoring gradients and associated parts for laboratory use; unfilled and pre-filled chromatographic column for laboratory use; computer-aided gel electrophoresis figure instruments for laboratory use; electrical, electronic, optical and physico-chemical measuring and diagnostic apparatus [other than for medical use]; analyzers and diagnostic apparatus for non-medical purposes; chromatography apparatus for laboratory use; precision measuring instruments; radiological apparatus for industrial purposes; spectrometers; stereoscopic devices; radiometer; electrical monitoring apparatus and teaching apparatus; computers; modems; monitors; microprocessors; stored computer programs; optical and magnetic data carriers; compact discs; smart cards; videotapes and video cassettes; computer-aided instruments for capillary electrophoresis for laboratory use; capillary cartridges and capillary columns for laboratory use; gel cells for electrophoresis, cassettes, modules with electrodes, in particular for gel electrophoresis, casting chambers and gel dryers, in particular for gel electrophoresis for laboratory use.

10 – Medical equipment, namely drug profiling and drug monitoring instruments; medical instruments and apparatus, diagnostic and analytical apparatus for medical purposes; radiological apparatus for medical purposes.

42 – Engineering, chemical research and analysis services and research and development services in connection with chemical and physics in the field of life sciences, biotechnology and laboratory services; research in the field of biotechnology and chemical and biotechnology analysis; scientific and industrial research for others; preparation of technical reports; computer programming; computer technology consultancy; maintenance of computer software.

(260) AM 2020 104006 A
 (800) 1476136
 (151) 2019 05 03
 (891) 2019 05 03
 (731) EGE EFE YATIRIM TİCARET ANONİM
 ŞİRKETİ
 Kemalpaşa Organize Sanayi, Mahallesi
 16 Sk. No:2, Ulucak – Kemalpaşa
 TR-35730 IZMIR, Turkey
 (540)



(591) Red
 (531) 10.01.10; 10.01.12; 27.03.15; 27.05.01;
 29.01.01
 (511)
 4 – Fuels; shisha charcoal; candles.

34 – Tobacco and tobacco products (including substitutes); matches; articles for use with tobacco; flavourings, other than essential oils, for tobacco; tobacco free cigarettes, other than for medical purposes; cigarettes containing tobacco substitutes, not for medical purposes; personal vaporisers and electronic cigarettes, and flavourings and solutions therefor.

43 – Services providing food and accommodation for guests.

(260) AM 2020 104008 A
 (800) 1476185
 (151) 2019 04 01
 (891) 2019 04 01
 (731) KLAUS FABER AG
 Lebacher Straße 152 – 156, 66113
 Saarbrücken, Germany
 (540)



(591) Black, white
 (531) 01.15.09; 01.15.24; 07.01.13; 07.01.16;
 26.04.05; 26.04.16; 26.04.18; 26.04.24;
 27.05.01; 27.05.24

(511)
 6 – Unprocessed and semi-processed materials of metal; pipes, tubes and hoses, and fittings therefor, including valves, of metal; downpoles of metal for the accessing of cables; downpoles of metal for the distribution of cables; trunking [channels] of metal

for electric cables; cable ducts made of metal [other than electricity]; clips of metal for cables and pipes; non-electrical cables, wires and chains, of metal; reels of metal [non-mechanical] for storing cables; cable stretchers; cable supports made of metal; binding screws of metal for cables; cable straps of metal; metal hardware; ducts of metal for ventilating and air conditioning installations; ducts made of metal for trunking conduits for gases.

9 – Cable harnesses; cable modems; cable connectors; cable adapters; cable detectors; cables for transmitting and receiving cable television signals; electric cables for the transmission of sounds and images; cable television converters; USB cables; luminous USB cables; telecommunications cables; data transmission cables; USB cables for cellphones; data synchronization cables; electric cables and wires; mobile High-Definition Link (MHL) cables; threaded electrical cable connectors; electric wiring harnesses; conductor bars; ducting for electric cables; cable channels (electric-); cable covers [conduits]; wire connectors [electricity]; electrical connecting cables; insulated electrical cables; heat resistant electric wires; thermocouple cables; junction sleeves for electric cables; insulated cable for electrical installations; male connectors for electrical cables; connections for electric cables; threaded cable connectors of metal; identification threads for electric wires; cables for electrical signal transmission; joint boxes for housing cable joints; materials for electricity mains [wires, cables]; cable locators; power wires; current plugs; electricity conduits; power adapters; power distributors [electrical]; current-meters; apparatus and instruments for accumulating electricity; power line conditioners; power line protectors; apparatus and instruments for conducting electricity; ducts [electricity]; line drivers; electromagnetic conduits; conduit couplings [electric]; metal ducts [electric]; cables, electric; wires, electric; interface cables [electric]; electrical power extension cords; mounting cords [electrical]; insulated electrical cables; rubber covered electrical wires; heat resistant electric wires; connections for electric cables; junction boxes for electric wires; sheaths for electrical wires; circuits for heavy current; aerial cables for heavy currents; electric ship cables; electrical connector for shore power transfer to ships; charging current distributor for ships.

16 – Printed matter; adhesives for stationery or household purposes; paper and cardboard; stationery and educational supplies; bags and articles for packaging, wrapping and storage of paper, cardboard or plastics; packing cardboard; packaging materials; paper padding; plastic bubble packs for wrapping or packaging; printed packaging materials of paper; advertising pamphlets; promotional publications; printed promotional material; signboards of paper or cardboard.

35 – Retail and wholesale services relating to cables, wires and other electrical goods, in particular copper ropes, including via the Internet; information on commercial matters, including via the Internet, cable network or other forms of data transmission; electronic processing of orders; advertising, marketing and sales promotion; business management; market research and market analyses; online advertising; online ordering services; compilation of online business directories.

39 – Electricity distribution via cables; supply of electricity; leasing the use of power lines to third parties for the transmission of electricity; storage of goods, namely electrical equipment; packaging and storage of goods; transportation and storage; storage and delivery of goods; parcel receipt services; storage of packages; storage of cargo; distribution by pipeline and cable.

40 – Metal fabrication and finishing services; custom manufacture of metal hardware; custom manufacture of elastomeric components; custom manufacture of thermoplastic components; custom manufacture of semiconductor components, devices and circuits; coppersmithing; rental of assembly machine equipment; custom assembling of materials for others; heat treatment of pipes and tubes made of metal; exterior and interior plating of pipes and tubes made of metal; photogravure printing; custom manufacture of rubber stamps; processing of rubber.

(260) AM 2020 104009 A

(800) 1476196

(151) 2019 04 01

(891) 2019 04 01

(731) VIENNA INSURANCE GROUP AG Wiener
Versicherung Gruppe
Schottenring 30, A-1010 Wien, Austria

(540)



(591) Black, white, red, blue and orange

(531) 26.13.25; 27.05.11; 29.01.15

(511)

36 – Insurance, financial affairs, monetary affairs, real estate affairs.

(260) AM 2020 104010 A

(800) 1476226

(151) 2019 01 30

(891) 2019 01 30

(731) MIDEA GROUP CO., LTD.

B26-28F, MIDEA HEADQUARTER

BUILDING, NO.6 MIDEA AVENUE,
BEIJIAO, SHUNDE, FOSHAN,
GUANGDONG, China

(540)



make yourself at home

(591) Black, white

(531) 26.01.18; 26.01.19; 26.11.02; 26.11.12;
27.05.12

(511)

7 – Washing machines [laundry]; wringing machines for laundry; dry-cleaner; dishwashers; electric fruit presses for household purposes; electric whisks for household purposes; mixing machines; household soybean milk machine; juice grinder for food industry; compressors [machines]; compressed air machines; vacuum cleaners; electric beverage preparation machines; butter machines; garbage disposals; oil mill; abandoned food processor; coffee grinders, other than hand-operated; turbo compressors; machines and apparatus for cleaning, electric; robots [machines]; handling machines, automatic [manipulators]; machinery for bulb making; machinery for electric wire and cable making; food processors, electric; coin-operated washing machines.

9 – Materials for electricity mains [wires, cables]; switches, electric; plugs, sockets and other contacts [electric connections]; electrical adapters; remote controller for household purposes; electronic chip; data processing apparatus; electro-dynamic apparatus for the remote control of signals; remote control apparatus; monitoring apparatus, electric; monitors [computer programs]; computer software applications, downloadable; computer operating programs, recorded; intercommunication apparatus; mobile power (rechargeable battery); blinkers [signaling lights]; switch boxes [electricity].

11 – Air purifying apparatus and machines; dehumidifier; humidifier; electric fans; electric hair driers; cooking utensils, electric; kettles, electric; heating apparatus, electric; pocket warmers; air-conditioning apparatus; central air-conditioning apparatus; refrigerator; freezer; refrigerating cabinets; electric cooker; induction cooker; microwave ovens [cooking apparatus]; microwave ovens for industrial purposes; pressure cookers, electric [pressure cooker]; pressure cooker [electric pressure cooking utensil]; bread baking machines; food steamers, electric; electric stewpans; cooking apparatus and installations; gas stove; gas burners; kitchen ranges [ovens]; hearths; hot plates; electric oven; extractor hoods for kitchens; bed warmer; laundry dryers, electric; fabric steamers; fluorescent lamp tube; heat pumps; gas boi-

lers; bread-making machines; tableware sterilizers for household purposes; deep fryers, electric; roasting apparatus; heating installations; water-pipes for sanitary installations; ice machines and apparatus; electric appliances for making yogurt; wash water heater (gas or electric heating); tableware disinfectant; coffee machines, electric; rotisseries; disinfectant apparatus; water filtering apparatus; electrical iron pans; heaters for baths; sun energy water heater; water dispenser; water purifying apparatus and machines; multicookers; electric boiler; exhaust fan for kitchen.

(260) AM 2020 104013 A
(800) 1476313
(151) 2019 06 10
(891) 2019 06 10
(731) ZOTOS INTERNATIONAL, INC.
100 Tokeneke Road, Darien CT 06820,
USA

(540)
BETTER NATURED

(591) Black, white

(511)
3 – Hair care preparations.

(260) AM 2020 104018 A
(800) 1476383
(151) 2019 06 07
(891) 2019 06 07
(731) ACCORD HEALTHCARE LIMITED
Sage House, 319 Pinner Road, Harrow,
Middlesex HA1 4HF, United Kingdom

(540)
ZERCEPAC

(591) Black, white
(511)
5 – Pharmaceutical preparations and substances.

(260) AM 2020 104021 A
(800) 1476489
(151) 2019 05 15
(891) 2019 05 15
(731) FROSTKRONE TIEFKÜHLKOST GMBH
Konrad-Adenauer-Str. 28, 33397 Rietberg,
Germany

(540)
frostkrone Lava Bites

(591) Black, white
(511)
29 – Meat; fish; poultry; game; preserved, dried and cooked fruits and vegetables; milk; milk products; french fries; frozen meals consisting of seafood; fro-

zen prepared meals consisting principally of vegetables; potato snacks; potato fritters.

30 – Rice; edible ices; pancakes; snack food products made from potato flour; snack foods prepared from maize; rice-based snack food; rice-based prepared meals; spring rolls; sushi; wontons.

43 – Snack-bars and restaurants.

(260) AM 2020 104037 A
(800) 1477001
(151) 2019 02 05
(891) 2019 02 05
(731) TAIZHOU SHIMGE MACHINERY AND
ELECTRONIC CO., LTD.
Daxi Dayangcheng Industrial Zone,
Wenling, Zhejiang, China

(540)
SHIFOO

(591) Black, white

(531) 27.05.17

(511)

7 – Fuel economizers for engines and motors; juice extractors, electric; turbocompressors; compressors [machines]; compressed air machines; blowing machines; dynamos; hand-held tools, other than hand-operated; lathes [machine tools]; washing machines [laundry].

(260) AM 2020 104038 A
(800) 1477019
(151) 2018 12 14
(891) 2018 12 14
(731) PANASONIC LIFE SOLUTIONS
ELEKTRİK SANAYİ VE TİCARET
ANONİM ŞİRKETİ
Abdurrahmangazi Mah., Ebubekir Cad.
No:44, TR-34887 Sancaktepe İstanbul, Turkey

(540)

arkedia
slim

(591) Grey, red

(531) 27.05.10; 29.01.12

(511)

9 – Scientific, nautical, surveying, photographic, cinematographic, optical, weighing, measuring, signaling, checking (supervision), life-saving and teaching apparatus and instruments; apparatus and instruments for conducting, switching, transforming, accumulating, regulating, or controlling electricity, electric plugs, junction boxes [electricity], electric switches, circuit breakers, fuses, lighting ballasts, battery starter cables, electrical circuit boards, elect-

ric resistances, electric sockets, transformers [electricity], electrical adapters, battery charges, electric door bells, electric and electronic cables, batteries, electric accumulators, solar panels for production of electricity; apparatus for recording, transmission or reproduction of sound or images; magnetic data carries, recording discs, compact discs, DVDs and other digital recording media; mechanisms for coin-operated apparatus; cash registers, calculating machines, data processing equipment, computers; computer software, fire-extinguishing apparatus.

(260) AM 2020 104039 A

(800) 1477028

(151) 2019 02 15

(891) 2019 02 15

(731) Bolt Technology OÜ

Vana-Lõuna tn 15, EE-10134 Tallinn,
Estonia

(540)

BOLT

(591) Black, white

(511)

35 – Advertising; business management assistance; business management, business administration; office functions; business and sales support services; import and export agencies; professional business consultancy, procurement for other businesses; business management of transport and logistics companies; commercial information; business information; advertising consultancy, modelling for advertising or sales promotion; public relation services; marketing, marketing consultancy; demonstration of goods; sales campaigns, advertising; rental of advertising space; billboard advertising; accounting; invoicing; administrative processing of purchase orders; consultancy, advisory and information relating to the aforesaid services.

36 – Insurance; financial affairs, monetary affairs and real estate affairs; customs brokerage, brokerage services; insurance consultancy; consultancy relating to customs; consultancy, advice and information relating to all the aforesaid services.

39 – Transport; packaging and storage of goods; travel arrangement; transport; transport agencies; transport brokerage; transport information; transport brokerage; transport reservation; unloading cargo; storage; storage of goods, freight forwarding; rental of warehouses; storage information; bonded storage services; consultancy, advice and information relating to all the aforesaid services; customs declaration services (term considered too vague by the International Bureau – rule 13 (2) (b) of the Common Regulations).

(260) AM 2020 104041 A

(800) 1477063

(151) 2018 12 17

(891) 2018 12 17

(731) Ball Corporation, an Indiana corporation

10 Longs Peak Drive, Broomfield, Colorado
80021, USA

(540)

БОЛЛ

(591) Black, white

(531) 28.05

(511)

6 – Metal cans; general purpose metal storage containers; metal cans sold empty; general purpose metal storage containers sold empty; metal cans for liquids and food sold empty; metal containers for liquids and food sold empty; metal closures for containers, cans and bottles, namely lids, caps, covers, can tops and can bottoms; metal lids; metal can lids; metal can bottoms; metal tops for liquid and food containers; metal opening tabs for cans containing distinguishing marks and signs; metal aerosol containers sold empty; aerosol cans sold empty; metal containers for compressed gas or liquid air; metal containers, cans, aerosol cans and bottles made from recycled metal sold empty.

40 – Manufacturing services for others of metal cans and containers and metal can and container lids, bottoms and tabs; custom manufacturing of metal and aerosol cans; custom manufacturing of metal cans and containers, aerosol cans and metal can and container lids, bottoms and tabs; custom manufacturing of metal and aerosol cans with graphics; custom manufacturing of aluminum and food and beverage canning.

(260) AM 2020 104049 A

(800) 944615

(151) 2007 10 22

(891) 2019 05 29

(731) KILLTEC SPORT UND FREIZEIT GMBH

Zimmererstr. 5, 21244 Buchholz, Germany

(540)

G.I.G.A. DX

(591) Black, white

(531) 24.17.01; 27.05.04

(511)

18 – Travelling-, sport- and suitcases, bags and sacs of leather and leather imitations, as far as contained in this class; umbrellas.

25 – Clothing, footwear, headgear, pockets for clothing.

28 – Gymnastic and sporting articles, bags adapted for sporting articles, as far as contained in this class.

(260) AM 2020 104050 A
 (800) 1051604
 (151) 2010 06 21
 (891) 2019 06 03
 (731) BEEFBAR GLOBAL FRANCHISE NETWORK LTD
 42, quai Jean-Charles Rey, MC-98000 MONACO, France
 (540)

(591) Black, white
 (531) 27.05.01; 27.05.04; 27.05.19
 (511)
 43 – Restaurants; coffee bars, cafés, self-service restaurants, tea rooms, cafeterias, home delivery of food and drink, bar services, hotels; food and drink catering.

(260) AM 2020 104053 A
 (800) 1213338
 (151) 2014 03 28
 (891) 2019 06 13
 (731) ULTHERA, INC.
 1840 South Stapley Drive, Suite 200, Mesa AZ 85204, USA
 (540)

ULTHERAPY

(591) Black, white
 (511)
 10 – Aesthetic skin treatment apparatus using ultrasound for cosmetic use; medical devices for non-surgical cosmetic treatments; medical ultrasound apparatus.
 44 – Cosmetic and plastic surgery, namely, treatment procedures comprising the delivery of acoustic and ultrasound energy for imaging of tissue and creating of thermal damage and healing of such tissue, and for skin tightening, skin firming, skin lifting, and treatment of acne; non-invasive cosmetic ultrasound procedures, namely, treatment of damaged tissue and for healing of such tissue, and for skin tightening, skin firming, skin lifting, and treatment of acne.

(260) AM 2020 104054 A
 (800) 1316878
 (151) 2016 05 13
 (891) 2019 06 14
 (731) BOILER ROOM (UK) LIMITED
 52 Pritchard's Road, London E2 9BJ, United Kingdom
 (540)

Boiler Room

(591) Black, white
 (511)
 9 – Sound recordings; video recordings; exposed films; video films; video cassettes; video recorders; video game software; computer games software; computer software; cameras; spectacles, spectacle cases, sunglasses; mouse pads; publications in electronic form, typically supplied on-line from databases or from facilities provided on the internet; DVDs; headphones; stereo headphones; speakers; holograms, digital music downloadable from the internet; digital physical instructional information downloadable from the internet; downloadable publications; application software; downloadable music sound recordings; downloadable videos; application software; software for providing emoticons.

25 – Clothing, footwear and headgear; articles of outer clothing; articles of underclothing; articles of sports clothing; footwear; headgear; scarves; dressing gowns; boxer shorts; socks; t-shirts, hats and caps, jackets, pyjamas, slippers; wristbands, headbands, ties, articles of clothing; sporting clothes; shirts, pullovers, skirts, dresses, trousers, coats, jackets, belts, scarves, gloves, neckties, socks, swimsuits; caps; athletics shoes; dance shoes; leather shoes; high heeled shoes; sandals and beach shoes; hats; baseball caps.

38 – Music broadcasting; data streaming; video, audio and television streaming services; streaming of audio material on the internet; streaming of video material on the internet; broadcasting services and live streaming services all connected with live music performances and DJ music sets.

41 – Entertainment services; sound recording and video entertainment services; concert, musical and video performances; television and radio entertainment services; entertainment services by stage production and cabaret; production of video and/or sound recordings; presentation, production and performance of shows, musical shows, concerts, videos, multimedia videos and radio and television programmes; recording, film, video and television studio services; audio, film, video and television recording services; publishing; music publishing; sound recording, film and video production and distribution services; arranging and conducting of seminars, conferences and exhibitions; publication of books, magazines and other texts; providing digital music (not

downloadable) from the Internet; providing sound recordings (not downloadable) from the Internet; providing video recordings (not downloadable) from the Internet; providing sound recordings by on-line streams; providing video recordings by on-line streams; entertainment services provided by on-line streams; organizing and presenting displays of entertainment relating to style and fashion; organizing and presenting displays of entertainment relating to music; archive library service for the archive of live music recordings.

(260) AM 2020 104129 A

(800) 1477229

(151) 2019 05 27

(891) 2019 05 27

(731) MASLAKOV IGOR BORISOVICH
Sibirskaya st., 51, ap. 59, RU-630132
Novosibirsk, Russian Federation

(540)

OnlyYou

(591) Black, white

(531) 27.05.19

(511)

25 – Clothing.

26 – Brooches [clothing accessories]; decorative articles for the hair; trimmings for clothing.

(260) AM 2020 104141 A

(800) 1477485

(151) 2019 04 24

(891) 2019 04 24

(731) NGK SPARK PLUG CO., LTD.
14-18, Takatsuji-cho, Mizuho-ku, Nagoya
City 467-8525, Japan

(540)

TekniWiki

(591) Black, white

(511)

7 – Ignition apparatus and their accessories being parts of internal combustion engines of all kinds, namely spark plugs, glow plugs, spark plug caps, spark plug cables and spark plug ignition coils.

9 – Measuring or testing machines and instruments, namely, apparatus for measuring concentration of fuel vapor, oxygen, nitrogen, oxide, hydrocarbon, methane, alcohol and hydrogen in air or gas, and apparatus for measuring concentration of fuel vapor, oxygen, nitrogen oxide, hydrocarbon, methane, alcohol and hydrogen, and controlling air/fuel ratio in the exhaust gas from internal combustion engines, boilers, incinerators, gas turbines, generators and fuel cells; sensors [measurement apparatus], other than for medical use, namely, knock sensors, pressure

sensors, temperature sensors, outdoor air sensors for measuring air quality, load sensors, hydrogen leak detection sensors, urea sensors, speed sensors, sensors for measuring the position of liquid, position sensors, sensors for measuring flow rate of gas, air and liquid, gear position sensors of transmission, anti-theft infrared sensors, liquid detection sensors, impact detection sensors, illuminance sensors, sensors for measuring air inhalation speed; electric wires and cables; electric or magnetic meters and testers; detectors [electric or magnetic meters and testers]; laboratory apparatus and instruments; detectors; meters; alarms; anti-theft warning apparatus.

(260) AM 2020 104142 A

(800) 1477517

(151) 2019 03 12

(891) 2019 03 12

(731) HANERGY CO-INNO MOBILE ENERGY
INVESTMENT CO. LTD.
No.0801, Floor 7, Room 101, Floor 1 to 14,
Building 3, Yard 8, Beichen west Road,
Chaoyang District, Beijing, China

(540)

Hanergy

(591) Black, white

(531) 27.05.01

(511)

7 – Harvesting machines; hair cutting machines for animals; disintegrators; mechanized livestock feeders; milking machines; salt extracting machine; aerating pumps for aquaria; woodworking machines; papermaking machines; diaper producing equipment; printing cylinders; darning machines; dyeing machines; machine for pressing tea; juice extractors, electric; bread cutting machines; beverage preparation machines, electromechanical; tobacco processing machines; leather paring machines; ironing machines; bicycle assembling machines; potters' wheels; engraving machines; battery cell processing machine; cord making machines; porcelain enamel manufacturing machinery; machinery for bulb making; bottle sealing machines; briquet-making machine; washing machines [laundry]; embossing machines; glass-working machines; fertilizer manufacturing machines; electromechanical machines for chemical industry; drilling machines; rolling mill cylinders; drilling rigs, floating or non-floating; white-washing machines; elevators [lifts]; electric hammers; molding machines; scale collectors for machine boilers; igniting devices for internal combustion engines; hydraulic turbines; paper clip manufacturing machines; zipper manufacturing machine; industrial robot; machinery for making electric wire and cable; scissors, electric; electron industry equipment; spectacle lens processing equipment; gas separating equipment; painting machines; fans for motors

and engines; bicycle dynamos; compressors for refrigerators; taps [parts of machines, engines or motors]; pumps for heating installations; hydraulic pressure coupling ware; adhesive bands for pulleys; anti-friction bearings for machines; water heaters [parts of machines]; welding machines, electric; electric sweepers; 3D printing pens; 3D printer; ice grinding machines; rice sorting machines; shoe polishers, electric; curtain drawing devices, electrically operated; drums [parts of machines]; aviation oil feeding vehicle joint; refrigerated vending machine; racket stringing machines; sifting installations; labellers [machines]; liquid reservoir (machine parts); automatic tyre dismantling device; vending machines; candy vending machine; electroplating machines.

35 – Advertising; commercial administration of the licensing of the goods and services of other; providing business information via a web site; marketing; provision of an on-line marketplace for buyers and sellers of goods and services; personnel management consultancy; relocation services for businesses; compilation of information into computer databases; accounting; rental of sales stands; sponsorship search; rental of vending machines; veterinary drugs retail or wholesale services; drug retail or wholesale services; retail or wholesale services for pharmaceutical, veterinary and sanitary preparations and medical supplies.

37 – Construction consultancy; plumbing; quarrying services; window cleaning; heating equipment installation and repair; installation, maintenance and repair of computer hardware; interference suppression in electrical apparatus; installation and repair medical equipment; trailer repair; information in relation to airplane maintenance and repair; warship construction; film projector repair and maintenance; wristwatches repair and maintenance; safe maintenance and repair; re-tinning; tyre balancing; furniture restoration; cleaning of clothing; sterilization of medical instruments; pumps repair and maintenance; shoe shining; tank cleaning; installation of telephone wires; elevator installation and repair; burglar alarm installation and repair; septic tank cleaning; tuning of musical instruments; kitchen knife sharpening; rental of drainage pumps; artificial snow-making services; hand tool repair; jewelry repair; repair and restoration of books; binoculars repair; toys and dolls repair; repair of power lines; rental of dish washing machines; trunks [luggage] repair; parasol repair; restoration of works of art; repair of game machines and apparatus; swimming-pool maintenance; installation and repair recreational sports facilities.

(260) AM 2020 104143 A

(800) 1477530

(151) 2019 05 28

(891) 2019 05 28

(731) Obshchestvo s ogranichennoy otvetstvennostyu "INGRAT"
4-aya Magistral'naya str., 11, bldg. 2, fl. 4,
unit V, room 82, RU-123007 MOSCOW,
Russian Federation

(540)

ОНЕГИН

(591) Black, white

(531) 28.05

(511)

32 – Beer; must; beer wort; malt wort; extracts of hops for making beer.

33 – Aperitifs; brandy; wine; whisky; vodka; gin; digesters [liqueurs and spirits]; cocktails; liqueurs; alcoholic beverages, except beer; spirits [beverages]; distilled beverages; mead [hydromel]; rum; cider; alcoholic extracts; alcoholic essences.

(260) AM 2020 104145 A

(800) 1477637

(151) 2019 04 24

(891) 2019 04 24

(731) Tovarischestvo s ogranichennoy otvetstvennostyu "ALIYA TRADE"
st. Kommunalnaya, 4, of. 11B, Zhetysu
district, Almaty, Kazakhstan

(540)



(591) Beige, white, yellow green, yellow brown, yellow red, yellow, green, gold, brown, red, dark beige, black and dark red

(531) 05.03.15; 11.03.14; 25.01.15; 25.07.01;
26.01.18; 28.05; 29.01.15

(511)

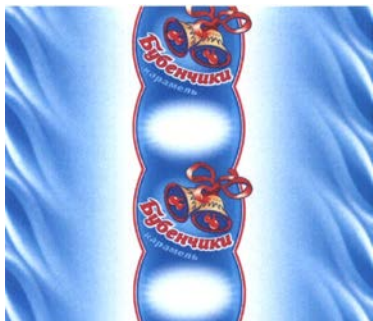
30 – Tea.

(260) AM 2020 104147 A
 (800) 1477753
 (151) 2019 05 20
 (891) 2019 05 20
 (731) HENKEL AG & CO. KGAA
 Henkelstrasse 67, 40589 Düsseldorf, Germany
 (540)

UNI-LOCK

(591) Black, white
 (511)
 1 – Adhesives used in industry.
 16 – Adhesives for stationery or household purposes; adhesive tapes for stationery or household purposes.
 17 – Packing, stopping and insulating materials; thread locking materials; insulating tapes; adhesive caulking compounds; adhesive tapes, strips, bands and films, other than stationery and not for medical or household purposes.

(260) AM 2020 104149 A
 (800) 1477787
 (151) 2019 05 21
 (891) 2019 05 21
 (731) Public Joint Stock Company "KRASNYJ OCTYABR"
 ul. Malaya Krasnoselskaya, d. 7, str. 24,
 RU-107140 Moscow, Russian Federation
 (540)



(591) Blue, light blue, white, dark blue, dark red, orange and red
 (531) 01.15.09; 19.03.24; 22.03.01; 28.05; 29.01.14
 (526) Карамель
 (511)
 30 – Confectionery, namely, caramels [candy].

(260) AM 2020 104150 A
 (800) 1477788
 (151) 2019 05 21
 (891) 2019 05 21
 (731) Public Joint Stock Company "KRASNYJ OCTYABR"
 ul. Malaya Krasnoselskaya, d. 7, str. 24,
 RU-107140 Moscow, Russian Federation

(540)



(591) Green, light green, dark green, blue, dark purple, black, brown and light yellow
 (531) 05.07.09; 19.03.24; 25.07.01; 28.05; 29.01.14
 (526) Карамель, ®
 (511)
 30 – Confectionery, namely, caramels [candy].

(260) AM 2020 104162 A
 (800) 1478045
 (151) 2019 02 05
 (891) 2019 02 05
 (731) EVONIK RÖHM GMBH
 Kirschenallee, 64293 Darmstadt, Germany
 (540)

ROHAFORM

(591) Black, white
 (511)
 1 – Chemicals used in industry, science and photography, as well as in agriculture, horticulture and forestry; chemical preparations and materials for film, photography and printing; detergents for use in manufacture and industry; chemical substances, chemical materials and chemical preparations, and natural fertilisers; salts for industrial purposes; starches for use in manufacturing and industry; putties, and fillers and pastes for use in industry; unprocessed plastics; unprocessed resins; synthetic resins, unprocessed; filtering media of chemical and non-chemical substances included in the class; fertilisers, and chemicals for use in agriculture, horticulture and forestry; fire extinguishing compositions; tempering and soldering preparations; chemical substances for preserving foodstuffs; chemical and organic compositions for use in the manufacture of food and beverages; tanning substances; adhesives for use in industry; cellulose.

17 – Unprocessed and semi-processed rubber, gutta-percha, gum, asbestos, mica and substitutes for all these materials; plastics in extruded form for use in manufacture; packing, stopping and insulating materials; flexible hoses, not of metal; flexible pipes, tubes, hoses, and fittings therefor, including valves, non-metallic; seals, sealants and fillers; insulation and barrier articles and materials; unprocessed and semi-processed materials included in the class, not specified for use, namely polyester, mineral fibers,

elastomers, fibres impregnated with synthetic resins for use in manufacture, synthetic and composite materials, namely carbon fibre, cellulose acetate, glass fibre and glass wool, cast nylon for use in manufacture, chemical fibres not for textile use, microporous synthetic sheets for the manufacture of protective clothing and for use in manufacture, microporous synthetic strips for the manufacture of protective clothing, self-lubricating cast nylon for use in manufacture, viscose sheets, other than for wrapping, viscose plates [semi-finished products], yarns of ceramic fibres [other than for use in textiles]; synthetic resins [semi-finished products], yarns of ceramic fibres [other than for use in textiles]; semi-worked synthetic resins; semi-worked plastic substances; shock-absorbing and packaging materials of rubber; vibration dampers of rubber; membranes and semi-processed synthetic filtering materials of rubber; industrial adhesive tapes, strips, bands and films, other than for wrapping; clutch and brake linings; tire restoration and repair materials; foam supports for flower arrangements [semi-finished products]; industrial marking tape; acrylic resin sheeting for use in the manufacture of laminated glass; rubber pouches for packaging; protective rubber articles; protective asbestos screens; rubber bands; semi-processed rubber for handles; packing, stopping and insulating materials of rubber; threads of plastic for soldering; figurines made from rubber, decorative plastic films [semi-finished products]; parts and accessories for all the aforesaid goods, included in this class.

(260) AM 2020 104163 A

(800) 1478156

(151) 2018 06 04

(891) 2018 06 04

(731) BIOMÉRIEUX

F-69280 Marcy l'Etoile, France

(540)



(591) Blue, green, yellow, white

(531) 25.05.02; 26.01.01; 26.01.22; 29.01.13

(511)

1 – Chemical, biochemical and biological preparations for use in industry, science and research; in-vitro diagnostic reagents for use in industry, science and research; reagents and media for control, detection, diagnosis and analysis of contaminants in industrial, agri-food, cosmetic and pharmaceutical products.

5 – Reagents and media for medical and veterinary diagnostic purposes; diagnostic products for pharmaceutical, medical and veterinary use; chemical, biochemical and biological preparations for use in the pharmaceutical, medical and veterinary fields.

9 – Scientific apparatus and instruments; measuring apparatus; monitoring apparatus; laboratory and scientific research apparatus and instruments; scientific apparatus and instruments for the control, detection, diagnosis and analysis of contaminants in industrial, agri-food, cosmetic and pharmaceutical products; diagnostic apparatus and instruments not for medical use; software; downloadable software and applications for mobile phones, tablets and other electronic mobile devices.

10 – Medical and veterinary apparatus, devices, equipment and instruments; Apparatus and instruments for medical and veterinary diagnostic purposes.

35 – Database management; computer compilation and processing, namely compilation and systematization of data and scientific and technical documents in computer databases; updating and correction of scientific and technical documents and data; data storage for others; advice in the field of cost reduction, in particular services of assistance in personnel management, inventories, procurement of goods and cost control, stock control, reduction in waste and inefficiency; all these services dedicated to scientific, medical, veterinary, diagnostic fields and the field of laboratory and research techniques.

37 – Installation, servicing, maintenance, repair and updating of scientific, diagnostic and laboratory instruments; installation, maintenance, repair and rental of computer systems dedicated to the scientific, technological, diagnostics fields and the field of laboratory techniques.

41 – Training; teaching and education; organization and conducting of exhibitions, colloquiums, conferences, congresses, seminars, symposiums, forums and other events for cultural or educational purposes; editing and publishing of books and journals, electronic publication of online books and journals; all the aforesaid services provided exclusively in the scientific, medical, veterinary, diagnostic fields and in the field of laboratory and research techniques.

42 – Research and development in the scientific, medical, veterinary, diagnostic fields, in the field of laboratory and research techniques and in the sector of research and data processing; consulting services in the scientific, technological, diagnostic and laboratory technique sectors; technical and scientific consulting and support for customers purchasing scientific, technological, laboratory and diagnostic apparatus; providing scientific information via Internet portals; providing information in the sector of laboratory technology; technical and scientific services

of a laboratory and health center; laboratory services; scientific laboratory services; laboratory work; development, design, installation, maintenance, repair, updating, technical support and rental of software dedicated to scientific, technological, diagnostics fields and the field of laboratory techniques; software-service (SaaS), namely, providing a software platform enabling inter-connectivity and data exchange between scientific, technological, diagnostic and laboratory apparatus and instruments for the transfer of data, pictures, messages, audio, visual and audio-visual data; assistance and technical consultancy for connecting computer, electronic and digital systems in a laboratory; technical project studies for installing scientific, technological, diagnostic and laboratory apparatus and instruments, consultancy relating to laboratory interior design, especially the design and optimization of space, technical advice and the implementation of scientific systems or scientific, technological, diagnostic and laboratory combinations of systems adapted to customer requirements; assistance in quality policy in relation to regulations, standards and current directives, namely assistance and consultancy services for quality control for qualifying systems, implementing protocols for the validation of methods, the validation of methods and parameters for laboratory accreditation; introduction or improvement of quality management systems, namely introducing or improving a system to test, authenticate and control the quality of operational procedures, working methods and performance indicators; assistance in tracking laboratory products, namely the introduction of systems and operational procedures to track, recognize, sort, select, read and analyze laboratory products; research, advice, auditing and consultancy relating to the automation and optimization of scientific and industrial laboratory procedures; services of scientific and industrial researchers and consultants, especially in the fields of human and veterinary medicine, pharmacology, biology, biotechnology, food and beverage products, cosmetics, pharmaceuticals and environmental technology.

44 – Medical and veterinary consultancy; medical services of a laboratory or health center; medical consulting and support for customers purchasing scientific, technological, laboratory or diagnostic apparatus and instruments; providing medical and veterinary information; medical diagnosis and analysis for diagnostics, clinical research and industrial applications; rental and placement of scientific, technological, diagnostic, medical and laboratory apparatus, instruments and equipment; medical, veterinary and hospital services.

(260) AM 2020 104164 A
(800) 1478175
(151) 2019 02 20

(891) 2019 02 20

(731) NINTENDO CO., LTD.

11-1, Hokotate-cho, Kamitoba, Minami-ku,
Kyoto-shi, Kyoto 601-8501, Japan

(540)

Detective Pikachu

(591) Black, white

(511)

8 – Table forks; spoons; can openers, non-electric; scissors; nail clippers, non-electric; knives; tableware [knives, forks and spoons]; bladed or pointed hand tools and swords; pedicure sets; manicure sets; eyelash curlers.

9 – Video game programs for arcade video game machines; downloadable video game programs for arcade video game machines; data storage devices recorded with programs for arcade video game machines; battery chargers; rechargeable batteries; accumulators [batteries]; headphones; earphones; personal digital assistants in the shape of a watch; smartphones in the shape of a watch; smartphones; cases for smartphones; covers for smartphones; protective films adapted for smartphones; computer game software; downloadable, computer game software; programs for smartphones; downloadable programs for smartphones; integrated circuit cards [smart cards]; covers for tablet computers; mouse pads; sleeves for laptops; video game programs for consumer video game machines; downloadable video game programs for consumer video game machines; data storage devices recorded with programs for consumer video game machines; video game programs for hand-held electronic game machines; downloadable video game programs for hand-held electronic game machines; data storage devices recorded with programs for hand-held electronic game machines; electronic game programs; video game programs; downloadable video game programs; spectacles [eyeglasses and goggles]; sunglasses; case for eyeglasses; downloadable image files; musical video recordings; downloadable music files; musical sound recordings; electronic publications; cinematographic film, exposed; pre-recorded motion picture films; pre-recorded DVDs.

11 – Electric lamps; standard lamps; electric lights for Christmas trees; lighting apparatus and installations; fairy lights for festive decoration; electrically heated carpets; electric fans [for household purposes]; heating installations; bread toasters; portable paper lanterns; lanterns for lighting.

14 – Key rings; key chains [split rings with trinket or decorative fob]; charms for key chains; jewellery cases; commemorative coins; coins; personal ornaments [jewellery]; earrings; tie pins; necklaces; bracelets; rings [jewellery]; medals; ornamental pins; jewellery; jewellery charms; shoe jewellery; clocks and watches.

16 – Bags [envelopes, pouches] of paper or plastics, for packaging; paper bags and sacks; boxes of paper or cardboard; plastic film for wrapping; wrapping paper; coasters of paper; place mats of paper; table napkins of paper; tablecloths of paper; stationery; greeting cards; note books; pencils; stickers [stationery]; pen cases; paint boxes [articles for use in school]; pens; rubber erasers; writing implements [writing instruments]; printed matter; posters; calendars; books; graphic reproductions; paintings [pictures], framed or unframed; photograph stands; office requisites, except furniture; pencil sharpeners, electric or non-electric.

18 – Packaging containers of leather; leather cases; handbags; shoulder bags; trunks; pouches; bags; school bags; rucksacks; suitcases; leather bags; card cases [notecases]; purses; wallets; key cases; luggage tags; backpacks; vanity cases, not fitted; umbrellas and their parts.

21 – Cosmetic and toilet utensils; tooth brushes, non-electric; kitchen utensils and kitchen containers excluding gas water heaters for household use, non-electric cooking heaters for household purposes, kitchen worktops and kitchen sinks; cookie jars; glass bowls; mugs; cups; dishes and plates; soup bowls; lunch-boxes; paper plates; drinking flasks for travellers; drinking bottles for sports; vacuum bottles [insulated flasks]; chopsticks; chopstick cases; drinking straws; trays for household purposes; coasters, not of paper or textile; waste paper baskets; feeding vessels for pets; soap holders and dishes for soap.

24 – Woven textile goods for personal use; towels of textile; beach towels; pillowcases [pillow slips]; blankets; covers for cushions; travelling rugs [lap robes]; throws; fleece blankets; bed linen; table napkins of textile; place mats of textile; coasters of textile; tablemats of textile; banners and flags, not of paper; wall hangings of textile; bed covers.

25 – Clothing; tee-shirts; polo shirts; sweat shirts; parkas; jackets [clothing]; raincoats; trousers; sweat pants; smocks; skirts; pajamas; underwear [underclothing]; swimwear [bathing suits]; knitted underwear; hosiery; socks; neck scarves [mufflers]; ear muffs [clothing]; gloves [clothing]; mittens; leg warmers; headgear for wear; cap peaks; belts for clothing; footwear; sports shoes; rain boots; beach shoes; slippers; masquerade costumes; costumes for use in role-playing games; halloween costumes.

26 – Buckles [clothing accessories]; badges for wear, not of precious metal; ornamental novelty badges [buttons]; pins, other than jewellery; heat adhesive patches for decoration of textile articles [haberdashery]; ornamental cloth patches; haberdashery [dressmakers' articles], except thread; hair ornaments; ribbons for the hair; hair pins and grips; false hair; buttons; fastenings for clothing; shoe trimmings.

28 – Amusement machines, automatic and coin-operated; arcade video game machines; video game machines; controllers for game consoles; joysticks for video games; toys; dolls; plush toys; stuffed toys; portable games with liquid crystal displays; handheld units for playing electronic games; protective films adapted for screens for portable games; protective carrying cases specially adapted for handheld video games; puzzles; doll playsets; playsets for action figures; ornaments for Christmas trees, except illumination articles and confectionery; paper party hats; party favors in the nature of small toys; balloons; play balloons; board games; playing cards; trading card games; game cards; role playing games; games; sports equipment.

29 – Milk products; milk; yoghurt; frozen vegetables; frozen fruits; processed vegetables and fruits; jams; peanut butter; potato chips; jellies for food; pre-cooked curry stew, stew and soup mixes; soups; preparations for making soup; dried flakes of laver for sprinkling on rice in hot water [Ochazuke-nori]; furi-kake [dried flakes of fish, meat, vegetables or seaweed].

30 – Tea; tea-based beverages; coffee; coffee-based beverages; cocoa; cocoa-based beverages; confectionery; pastries; candy; ice cream; cookies; chocolate; popcorn; chewing gums; bread and buns; sandwiches; hamburgers [sandwiches]; pizzas; pies; cakes; condiments and seasonings; ketchup; dressings for salad; ice cream mixes; sherbet mixes; cereal preparations; oatmeal; corn flakes; pasta; noodles; instant confectionery mixes; instant jelly mixes; instant pancake mixes; pasta sauce.

32 – Soft drinks; fruit juices; vegetable juices [beverages]; cola drinks; soda pops; aerated water [soda water]; table waters; whey beverages.

41 – Entertainment services; entertainment information; providing online electronic publications, not downloadable; providing online videos, not downloadable; providing films, not downloadable, via video-on-demand services; film production, other than advertising films; providing online music, not downloadable; production of music; games equipment rental; rental of toys; game services provided online from a computer network; organization of competitions [education or entertainment]; providing amusement arcade services; amusement park services; gaming services; organization of electronic game competitions; organization of video game events and competitions.

(260) AM 2020 104165 A
(800) 1478246
(151) 2019 05 21
(891) 2019 05 21
(731) MYLAN INC.

1000 Mylan Boulevard, Canonsburg
PA 15317, USA

(540)



(591) Black, white

(531) 19.11.04; 19.11.13; 26.04.18; 27.03.15;
27.05.10

(511)

44 – Providing information relating to diagnostic, prophylactic and therapeutic properties of pharmaceuticals.

(260) AM 2020 104252 A

(800) 1478897

(151) 2017 12 12

(891) 2017 12 12

(731) PHARMACANN POLSKA

ul. Mieczysława Pożaryskiego 28, PL-04-703
Warszawa, Poland

(540)



(591) Green, blue, white

(531) 02.09.01; 05.03.11; 05.03.13; 24.13.01;
24.13.24; 26.11.02; 26.11.12; 27.05.01;
29.01.13

(511)

5 – Artificial sweeteners adapted for diabetics; dietetic sweeteners for medical use; pharmaceuticals, medicines; pharmaceutical preparations; drugs; medical preparations to prevent, treat or alleviate the course of diseases; dietary supplements; nutritional supplements; medicinal herbs; mixtures of herbs (terms considered too vague by the international bureau – rule 13.2. (b) of the common regulations); herbal infusions for medicinal purposes; medicinal syrups; herbal ointments for medicinal purposes; herbal creams for medicinal purposes; medicinal powders; analgesic medicinal powders; medicinal powders based on: echinacea, epilobium and aloe; medical dressings; hygiene preparations; nutritional substances for medicinal purposes; dietetic substances for medicinal purposes; food for babies; dietary supplements for medical purposes; veterinary preparations, veterinary substances, medicines for veterinary purposes, veterinary vaccines; veterinary diagnostic reagents, chemical test reagents [veterinary], antibiotics for veterinary use, cultures for veterinary use, insecticidal veterinary washes, radioactive preparations for veterinary diagnosis, reactants for veteri-

nary diagnosis, pharmaceuticals for veterinary use, disinfectants for veterinary use, cantharide preparations for veterinary use, reagents for use in veterinary genetic testing, probiotic bacterial formulations for veterinary use, anti-infective products for veterinary use, ferments for medical or veterinary use, bark extract for veterinary use, bark powder for veterinary use, dietetic food adapted for veterinary use, dietetic substances adapted for veterinary use, veterinary preparations for treatment of intestinal bacteria; medical foodstuff additives for veterinary use; diagnostic preparations; sanitary preparations for medical purposes; disinfectants; materials for dressings-plasters; material for stopping teeth; dental wax.

10 – Inhalers; medical inhalers; inhalers for medical use; inhalers for medicinal use; syringes (terms considered too vague by the International Bureau – rule 13.2.b) of the Common Regulations); medical syringes; plaster casts.

35 – Advertising, promotion, wholesaling and retailing, including online and via a computer network, of goods such as: food, organic food, traditional food, cosmetics, natural cosmetics and care products, natural detergents, herbal preparations, including creams, lotions, oils and balms, dietary and nutritional supplements, honey, medicinal herbs, mixtures of herbs, herbal infusions for medicinal purposes, medicinal syrups, herbal ointments for medicinal purposes, herbal creams for medicinal purposes, medicinal powders, analgesic medicinal powders, medicinal powders based on: echinacea, epilobium and aloe, medicines, pharmaceutical preparations, medical dressings, hygiene preparations, nutritional substances for medicinal purposes, dietetic substances for medicinal purposes, food for babies; advertising, promotion, wholesaling and retailing, including online and via a computer network, of the following goods: specialist bee products and plant products, honey, pharmaceutical preparations, dietary supplements, medical products, supplements, antiseptic and anti-inflammatory oils, organically produced food, vegan and vegetarian food, juices, beverages, organic cosmetics, natural cosmetics, dermocosmetics, propolis products, bee propolis (bee glue), spices, syrups, ecological cleaning preparations, biodegradable cleaning preparations, soaps and bars for washing, chocolate; wholesaling and retailing of medicines, pharmaceuticals and medical products.

42 – Scientific research; medical research; scientific research relating to cosmetics; scientific research relating to ecological topics; scientific and industrial research; scientific research relating to chemistry; computer-aided scientific research; scientific research and analysis; scientific research in the field of bacteriology; scientific research in the field of biology; scientific research in the field of pharmaceuticals; scientific research in the field of genetics; scientific

research for medical purposes; scientific research in the field of plant genetics; scientific research in the field of social medicine; scientific services and research in this area; scientific research conducted using databases; scientific research in the field of genetics and genetic engineering; scientific research relating to hair care products; scientific research for medical purposes in the field of cancer; integrated scientific research in the field of greenhouse and crop pests.

44 – Plant cultivation; consultancy regarding plant cultivation; cultivation of fibrous plants; cultivation of spices and aromatic plants, as well as plants used to produce medicines and pharmaceutical products; medical services; preparing and dispensing medicines; medical examinations; medical home visits; consulting in the field of support provided by doctors and qualified healthcare professionals; physiotherapy; physiotherapy services.

(260) AM 2020 104253 A

(800) 1478999

(151) 2019 02 19

(891) 2019 02 19

(731) Obschestvo s ogranichennoiy otvetstvennost'yu "MARY TRUFEL" Smolenskiy b-r, 13, str. 7, pom. II, kom. 13, RU-119121 Moscow, Russian Federation

(540)



Мэри Трюфель

(591) Black, white

(531) 02.07.02; 18.01.05; 28.05

(511)

25 – Dresses, namely wedding and evening dresses; wedding veils; wedding capes; footwear.

(260) AM 2020 104254 A

(800) 1479003

(151) 2019 06 20

(891) 2019 06 20

(731) POSTER POS Inc.
160 Greentree Drive, Suite 101, Dover
DE 19904, USA

(540)

Poster POS

(591) Black, white

(526) POS

(511)

9 – Cash registers, calculating machines, data-processing equipment and computers; Electronic equipment for point-of-sales (POS) systems, namely, point-of-sale terminals, bar code readers, optical readers, advertisement display monitors, keyboards, printers, scanners, radio transmitters, radio receivers, computer hardware, and computer operating software; Computer programs used for electronic cash register systems.

(260) AM 2020 104256 A

(800) 1479025

(151) 2019 06 04

(891) 2019 06 04

(731) AO Kaspersky Lab
39A/2 Leningradskoe shosse, RU-125212
Moscow, Russian Federation

(540)

HUMACHINE

(591) Black, white

(511)

9 – Monitors (computer programs); computer software; computer programs, recorded; computer game programs; computer programs, downloadable; computer operating programs.

42 – Computer virus protection services; updating of software; monitoring of computer systems by remote access; development of computer platforms.

(260) AM 2020 104272 A

(800) 1479233

(151) 2019 04 17

(891) 2019 04 17

(731) EURAL GNUTTI S.P.A.
Via S. Andrea, 3, I-25038 ROVATO (BS),
Italy

(540)

EURAL

(591) Black, white

(511)

6 – Common metals and their alloys, unwrought or semi-wrought; aluminium and aluminium alloys; extruded or drawn rods and bars in aluminium alloys; extruded profiles in aluminium alloys; billets in aluminium alloys.

(260) AM 2020 104274 A

(800) 1479235

(151) 2019 05 21

(891) 2019 05 21

(731) Public Joint Stock Company "KRASNYJ
OCTYABR"

ul. Malaya Krasnoselskaya, d. 7, str. 24,
RU-107140 Moscow, Russian Federation

(540)



(591) Red, dark red, black, white and light gray
(531) 03.01.06; 07.15.22; 25.07.01; 28.05; 29.01.14
(526) ИРИС
(511)
30 – Confectionery, namely, toffees.

(260) AM 2020 104275 A
(800) 1479240
(151) 2019 02 01
(891) 2019 02 01
(731) PRODUTTORI LATTE ASSOCIATI
CREMONA – SOC. COOP. AGRICOLA
(P.L.A.C.) VIA OSTIANO, 70, I-26043
PERSICO DOSIMO (Cremona), Italy

(540)



(591) Yellow, burgundy and black.
(531) 15.07.17; 25.01.19; 27.05.03; 29.01.14
(511)
29 – Cheese; ripened cheeses; cheese-based snack foods; milk and milk products excluding ice cream; cream cheese; mascarpone; butter; buttercream; margarine; cream being dairy products; whipped cream; whey; curd; milk beverages, milk predominating; milk ferments for culinary purposes; milk shakes; condensed milk; soya milk for use as a milk substitute; albumin milk; edible oils and fats.

(260) AM 2020 104276 A
(800) 1479267
(151) 2019 04 17
(891) 2019 04 17
(731) HUAWEI TECHNOLOGIES CO., LTD.
Administration Building Huawei, Techno-
logies Co., Ltd., Bantian, Longgang District,
Shenzhen, China

(540)

HONOR MY WORLD

(591) Black, white
(511)
9 – Smartglasses; smartwatches; smartphones; wearable activity trackers; cases for smartphones; covers

for smartphones; protective films adapted for smartphones; selfie sticks (hand-held monopods); digital photo frames; microphones; computer hardware; computer memories; integrated circuit cards (smart cards); transponders; cabinets for loudspeakers; stands adapted for tablet computers; flat panel displays; network communication apparatus; modems; sleeves for laptops; electric batteries; chargers for electric batteries; mobile power source (rechargeable batteries); tablet computers; covers for tablet computers; flexible flat panel displays for computers; laptop computers; notebook computers; bags adapted for laptops; headphones; earphones; virtual reality headsets; pedometers; monitoring apparatus, other than for medical purposes; video monitors; connected bracelets (measuring instruments); computer programs, recorded; computer software applications, downloadable; optical lenses; switchboards; transmitters of electronic signals; digital video recorder for vehicles; set-top boxes; loudspeakers; portable media players; sound transmitting apparatus; camcorders; cameras (photography); computer keyboards; mouse (computer peripheral); transmitting sets (telecommunication); gas testing instruments; scales; smart rings; black boxes (data recorders); interactive touch screen terminals; humanoid robots with artificial intelligence; electronic sheet music, downloadable; audio interfaces; electric and electronic effects units for musical instruments; equalizers (audio apparatus); digital weather stations; biochips; infrared detectors; electronic key fobs being remote control apparatus; security tokens (encryption devices); fingerprint identifier; human face recognition devices; stored program controlled telephone switching apparatus; radios; air analysis apparatus; materials for electricity mains (wires, cables); video screens; integrated circuits; electronic chips; thermal imaging cameras; bathroom scales; security surveillance robots; scales with body mass analyzers; personal digital assistants (PDAs); computer software platforms, recorded or downloadable; thin client computers; hand-held electronic dictionaries; computer screen saver software, recorded or downloadable; computer software, recorded; downloadable graphics for mobile phones; wearable computers; telecommunication apparatus in the form of jewellery; selfie sticks for mobile phones; digital door locks; alarm central units; sensors; wearable video display monitors; selfie lenses; laboratory robots; teaching robots; USB data lines or data cables; USB data lines or data cables for mobile phones; downloadable mobile phone software applications; touch screens; television apparatus; electric plugs; electric sockets; intercoms; downloadable emoticons for mobile phones; computer operating programs, recorded; liquid crystal displays (LCD) with large screens; electronic diaries; liquid crystal displays (LCD); electronic pens; video image printers; portable digital electronic scales; holders for mobile phones; wrist-mounted smartp-

hones; television apparatus for vehicles; computer styluses; computer programs, downloadable; touch screen pens; computer game software, downloadable; remote controls for air-conditioning apparatus.

35 – Providing business information via a web site; sales promotion of goods and services for others; pay per click advertising; retail services for pharmaceutical, veterinary and sanitary preparations and medical supplies; online advertising on a computer network; import-export agency services; arranging and conducting marketing promotion for others; marketing advisory services; marketing goods and services for others; marketing; provision of an online marketplace for buyers and sellers of goods and services; targeted marketing; price comparison services; advertising; sales promotion for others.

42 – Telecommunications technology consultancy; quality control; quality testing services; certification (quality control); quality evaluation; weather forecasting; packaging design; computer software design; cloud computing; graphic arts design; product development for others; consumer product safety testing; testing of cosmetics; design and development of multimedia products; platform as a service (PaaS); software as a service (SaaS).

(260) AM 2020 104292 A

(800) 1479556

(151) 2019 05 21

(891) 2019 05 21

(731) JEAN GURUNLIAN

Southern Oceana, Apartment 302, Palm
Jumeirah, Dubai, United Arab Emirates

(540)

PortMind

(591) Black, white

(511)

42 – Scientific and technological services as well as research and design services relating thereto; industrial analysis and research services; computer and software design and development.

(260) AM 2020 104332 A

(800) 1479607

(151) 2019 05 08

(891) 2019 05 08

(731) C.P.C. Creative Perfume Company Holding
SA

Rue du Mont-de-Sion 8, c/o Lenhill Partners
SA, CH-1206 Genève, Switzerland

(540)

CHICAGO HIGH

(591) Black, white

(511)

3 – Amber [perfume]; aromatics [essential oils]; air fragrancing preparations; cake flavorings [essential oils]; flavorings for beverages [essential oils]; food flavorings [essential oils]; breath freshening sprays; balms, other than for medical purposes; lip glosses; sachets for perfuming linen; scented water; Javelle water; lavender water; toilet water; depilatory wax; mustache wax; massage gels, other than for medical purposes; heliotropine; make-up; deodorants for pets; deodorants for human beings or for animals; depilatory preparations; air fragrance reed diffusers; scented wood; perfumes; perfumery; decorative transfers for cosmetic purposes; ionone [perfumery]; eyebrow pencils; cosmetic pencils; adhesives for affixing false eyelashes; adhesives for affixing false hair; hair conditioners; beard dyes; cosmetic dyes; cosmetic creams; skin whitening creams; incense; hair spray; nail polish; hair lotions; lotions for cosmetic purposes; after-shave lotions; beauty masks; oils for perfumes and scents; oils for cosmetic purposes; oils for toilet purposes; essential oils; essential oils of cedarwood; essential oils of lemon; essential oils of citron; oils for cleaning purposes; bergamot oil; gaultheria oil; jasmine oil; lavender oil; almond oil; rose oil; almond milk for cosmetic purposes; cleansing milk for toilet purposes; musk [perfumery]; deodorant soap; shaving soap; soap for brightening textile; cakes of toilet soap; antiperspirant soap; soap for foot perspiration; soap; almond soap; mint for perfumery; cosmetic kits; eau de Cologne; bases for flower perfumes; joss sticks; dentifrices; lipstick cases; breath freshening strips; teeth whitening strips; lipsticks; pomades for cosmetic purposes; shaving preparations; cosmetic preparations for baths; bath preparations, not for medical purposes; hair straightening preparations; hair waving preparations; color-removing preparations; leather bleaching preparations; mouthwashes, not for medical purposes; cosmetic preparations for slimming purposes; make-up removing preparations; nail care preparations; collagen preparations for cosmetic purposes; aloe vera preparations for cosmetic purposes; sunscreen preparations; breath freshening preparations for personal hygiene; make-up powder; nail varnish removers; vaginal washes for personal sanitary or deodorant purposes; tissues impregnated with cosmetic lotions; tissues impregnated with make-up removing preparations; massage candles for cosmetic purposes; potpourris [fragrances]; bath salts, not for medical purposes; fumigation preparations [perfumes]; astringents for cosmetic purposes; eyebrow cosmetics; make-up preparations; sun-tanning preparations [cosmetics]; hair dyes; neutralizers for permanent waving; cosmetic preparations for eyelashes; cosmetic preparations for skin care; cosmetics; cosmetics for children; cosmetics for animals; mascara; cleansers for intimate personal hygiene purposes, non medicated; douching preparations for personal

sanitary or deodorant purposes [toiletries]; bleaching preparations [decolorants] for cosmetic purposes; antiperspirants [toiletries]; toiletry preparations; phytocosmetic preparations; talcum powder, for toilet use; terpenes [essential oils]; henna [cosmetic dye]; shampoos for animals [non-medicated grooming preparations]; shampoos for pets [non-medicated grooming preparations]; dry shampoos; shampoos; herbal extracts for cosmetic purposes; extracts of flowers [perfumes]; ethereal essences; badian essence; mint essence [essential oil].

4 – Nightlights [candles]; perfumed candles; Christmas tree candles; candles.

(260) AM 2020 104334 A

(800) 1479660

(151) 2019 05 08

(891) 2019 05 08

(731) C.P.C. Creative Perfume Company Holding SA

Rue du Mont-de-Sion 8, c/o Lenhill Partners SA, CH-1206 Genève, Switzerland

(540)

LONDON FUNK

(591) Black, white

(511)

3 – Amber [perfume]; aromatics [essential oils]; air fragrancing preparations; cake flavorings [essential oils]; flavorings for beverages [essential oils]; food flavorings [essential oils]; breath freshening sprays; balms, other than for medical purposes; lip glosses; sachets for perfuming linen; scented water; Javelle water; lavender water; toilet water; depilatory wax; mustache wax; massage gels, other than for medical purposes; heliotropine; make-up; deodorants for pets; deodorants for human beings or for animals; depilatory preparations; air fragrance reed diffusers; scented wood; perfumes; perfumery; decorative transfers for cosmetic purposes; ionone [perfumery]; eyebrow pencils; cosmetic pencils; adhesives for affixing false eyelashes; adhesives for affixing false hair; hair conditioners; beard dyes; cosmetic dyes; cosmetic creams; skin whitening creams; incense; hair spray; nail polish; hair lotions; lotions for cosmetic purposes; after-shave lotions; beauty masks; oils for perfumes and scents; oils for cosmetic purposes; oils for toilet purposes; essential oils; essential oils of cedarwood; essential oils of lemon; essential oils of citron; oils for cleaning purposes; bergamot oil; gaultheria oil; jasmine oil; lavender oil; almond oil; rose oil; almond milk for cosmetic purposes; cleansing milk for toilet purposes; musk [perfumery]; deodorant soap; shaving soap; soap for brightening textile; cakes of toilet soap; antiperspirant soap; soap for foot perspiration; soap; almond soap; mint for perfumery; cosmetic kits; eau de Cologne;

bases for flower perfumes; joss sticks; dentifrices; lipstick cases; breath freshening strips; teeth whitening strips; lipsticks; pomades for cosmetic purposes; shaving preparations; cosmetic preparations for baths; bath preparations, not for medical purposes; hair straightening preparations; hair waving preparations; color-removing preparations; leather bleaching preparations; mouthwashes, not for medical purposes; cosmetic preparations for slimming purposes; make-up removing preparations; nail care preparations; collagen preparations for cosmetic purposes; aloe vera preparations for cosmetic purposes; sunscreen preparations; breath freshening preparations for personal hygiene; make-up powder; nail varnish removers; vaginal washes for personal sanitary or deodorant purposes; tissues impregnated with cosmetic lotions; tissues impregnated with make-up removing preparations; massage candles for cosmetic purposes; potpourris [fragrances]; bath salts, not for medical purposes; fumigation preparations [perfumes]; astringents for cosmetic purposes; eyebrow cosmetics; make-up preparations; sun-tanning preparations [cosmetics]; hair dyes; neutralizers for permanent waving; cosmetic preparations for eyelashes; cosmetic preparations for skin care; cosmetics; cosmetics for children; cosmetics for animals; mascara; cleansers for intimate personal hygiene purposes, non medicated; douching preparations for personal sanitary or deodorant purposes [toiletries]; bleaching preparations [decolorants] for cosmetic purposes; antiperspirants [toiletries]; toiletry preparations; phytocosmetic preparations; talcum powder, for toilet use; terpenes [essential oils]; henna [cosmetic dye]; shampoos for animals [non-medicated grooming preparations]; shampoos for pets [non-medicated grooming preparations]; dry shampoos; shampoos; herbal extracts for cosmetic purposes; extracts of flowers [perfumes]; ethereal essences; badian essence; mint essence [essential oil].

4 – Nightlights [candles]; perfumed candles; Christmas tree candles; candles.

(260) AM 2020 104350 A

(800) 1479914

(151) 2019 05 08

(891) 2019 05 08

(731) C.P.C. Creative Perfume Company Holding SA

Rue du Mont-de-Sion 8, c/o Lenhill Partners SA CH-1206 Genève, Switzerland

(540)

DON'T TELL JASMINE

(591) Black, white

(511)

3 – Amber [perfume]; aromatics [essential oils]; air fragrancing preparations; cake flavorings [essential oils]; flavorings for beverages [essential oils]; food

flavorings [essential oils]; breath freshening sprays; balms, other than for medical purposes; lip glosses; sachets for perfuming linen; scented water; Javelle water; lavender water; toilet water; depilatory wax; mustache wax; massage gels, other than for medical purposes; heliotropine; make-up; deodorants for pets; deodorants for human beings or for animals; depilatory preparations; air fragrance reed diffusers; scented wood; perfumes; perfumery; decorative transfers for cosmetic purposes; ionone [perfumery]; eyebrow pencils; cosmetic pencils; adhesives for affixing false eyelashes; adhesives for affixing false hair; hair conditioners; beard dyes; cosmetic dyes; cosmetic creams; skin whitening creams; incense; hair spray; nail polish; hair lotions; lotions for cosmetic purposes; after-shave lotions; beauty masks; oils for perfumes and scents; oils for cosmetic purposes; oils for toilet purposes; essential oils; essential oils of cedarwood; essential oils of lemon; essential oils of citron; oils for cleaning purposes; bergamot oil; gaultheria oil; jasmine oil; lavender oil; almond oil; rose oil; almond milk for cosmetic purposes; cleansing milk for toilet purposes; musk [perfumery]; deodorant soap; shaving soap; soap for brightening textile; cakes of toilet soap; antiperspirant soap; soap for foot perspiration; soap; almond soap; mint for perfumery; cosmetic kits; eau de Cologne; bases for flower perfumes; joss sticks; dentifrices; lipstick cases; breath freshening strips; teeth whitening strips; lipsticks; pomades for cosmetic purposes; shaving preparations; cosmetic preparations for baths; bath preparations, not for medical purposes; hair straightening preparations; hair waving preparations; color-removing preparations; leather bleaching preparations; mouthwashes, not for medical purposes; cosmetic preparations for slimming purposes; make-up removing preparations; nail care preparations; collagen preparations for cosmetic purposes; aloe vera preparations for cosmetic purposes; sunscreen preparations; breath freshening preparations for personal hygiene; make-up powder; nail varnish removers; vaginal washes for personal sanitary or deodorant purposes; tissues impregnated with cosmetic lotions; tissues impregnated with make-up removing preparations; massage candles for cosmetic purposes; potpourris [fragrances]; bath salts, not for medical purposes; fumigation preparations [perfumes]; astringents for cosmetic purposes; eyebrow cosmetics; make-up preparations; sun-tanning preparations [cosmetics]; hair dyes; neutralizers for permanent waving; cosmetic preparations for eyelashes; cosmetic preparations for skin care; cosmetics; cosmetics for children; cosmetics for animals; mascara; cleansers for intimate personal hygiene purposes, non medicated; douching preparations for personal sanitary or deodorant purposes [toiletries]; bleaching preparations [decolorants] for cosmetic purposes; antiperspirants [toiletries]; toiletry preparations; phytocosmetic preparations; talcum

powder, for toilet use; terpenes [essential oils]; henna [cosmetic dye]; shampoos for animals [non-medicated grooming preparations]; shampoos for pets [non-medicated grooming preparations]; dry shampoos; shampoos; herbal extracts for cosmetic purposes; extracts of flowers [perfumes]; ethereal essences; badian essence; mint essence [essential oil].

4 – Nightlights [candles]; perfumed candles; Christmas tree candles; candles.

(260) AM 2020 104351 A

(800) 1479918

(151) 2019 05 08

(891) 2019 05 08

(731) C.P.C. Creative Perfume Company Holding SA

SA CH-1206 Genève, Switzerland

(540)

POETS OF BERLIN

(591) Black, white

(511)

3 – Amber [perfume]; aromatics [essential oils]; air fragranting preparations; cake flavorings [essential oils]; flavorings for beverages [essential oils]; food flavorings [essential oils]; breath freshening sprays; balms, other than for medical purposes; lip glosses; sachets for perfuming linen; scented water; Javelle water; lavender water; toilet water; depilatory wax; mustache wax; massage gels, other than for medical purposes; heliotropine; make-up; deodorants for pets; deodorants for human beings or for animals; depilatory preparations; air fragrance reed diffusers; scented wood; perfumes; perfumery; decorative transfers for cosmetic purposes; ionone [perfumery]; eyebrow pencils; cosmetic pencils; adhesives for affixing false eyelashes; adhesives for affixing false hair; hair conditioners; beard dyes; cosmetic dyes; cosmetic creams; skin whitening creams; incense; hair spray; nail polish; hair lotions; lotions for cosmetic purposes; after-shave lotions; beauty masks; oils for perfumes and scents; oils for cosmetic purposes; oils for toilet purposes; essential oils; essential oils of cedarwood; essential oils of lemon; essential oils of citron; oils for cleaning purposes; bergamot oil; gaultheria oil; jasmine oil; lavender oil; almond oil; rose oil; almond milk for cosmetic purposes; cleansing milk for toilet purposes; musk [perfumery]; deodorant soap; shaving soap; soap for brightening textile; cakes of toilet soap; antiperspirant soap; soap for foot perspiration; soap; almond soap; mint for perfumery; cosmetic kits; eau de Cologne; bases for flower perfumes; joss sticks; dentifrices; lipstick cases; breath freshening strips; teeth whitening strips; lipsticks; pomades for cosmetic purposes; shaving preparations; cosmetic preparations for baths; bath preparations, not for medical purposes; hair straightening preparations; hair waving prepara-

tions; color-removing preparations; leather bleaching preparations; mouthwashes, not for medical purposes; cosmetic preparations for slimming purposes; make-up removing preparations; nail care preparations; collagen preparations for cosmetic purposes; aloe vera preparations for cosmetic purposes; sunscreen preparations; breath freshening preparations for personal hygiene; make-up powder; nail varnish removers; vaginal washes for personal sanitary or deodorant purposes; tissues impregnated with cosmetic lotions; tissues impregnated with make-up removing preparations; massage candles for cosmetic purposes; potpourris [fragrances]; bath salts, not for medical purposes; fumigation preparations [perfumes]; astringents for cosmetic purposes; eyebrow cosmetics; make-up preparations; sun-tanning preparations [cosmetics]; hair dyes; neutralizers for permanent waving; cosmetic preparations for eyelashes; cosmetic preparations for skin care; cosmetics; cosmetics for children; cosmetics for animals; mascara; cleansers for intimate personal hygiene purposes, non medicated; douching preparations for personal sanitary or deodorant purposes [toilettries]; bleaching preparations [decolorants] for cosmetic purposes; antiperspirants [toilettries]; toiletry preparations; phytocosmetic preparations; talcum powder, for toilet use; terpenes [essential oils]; henna [cosmetic dye]; shampoos for animals [non-medicated grooming preparations]; shampoos for pets [non-medicated grooming preparations]; dry shampoos; shampoos; herbal extracts for cosmetic purposes; extracts of flowers [perfumes]; ethereal essences; badian essence; mint essence [essential oil].

4 – Nightlights [candles]; perfumed candles; Christmas tree candles; candles.

(260) AM 2020 104352 A

(800) 1479944

(151) 2019 03 20

(891) 2019 03 20

(731) BERG ELEKTRO LLC

Kurt-Frenzel str. 7b, 63743 Aschaffenburg,
Germany

(540)



(591) White, dark violet, orange and grey.

(531) 27.05.01; 29.01.13

(511)

20 – Display boards; decorations of plastic for food-stuffs; yellow amber; curtain rings; silvered glass [mirrors]; cupboards; medicine cabinets; clips, not of metal, for cables and pipes; bamboo; benches [furniture]; bedsteads [wood]; wood ribbon; sideboard;

desks; office furniture; costume stands; furniture; filing cabinets; screens for fireplaces [furniture]; stag antlers; chairs [seats]; chaise lounges; loading pallets, not of metal; hinges, not of metal; display stands; coat hangers; clothes hangers; armchairs; chests of drawers; tables; coral; trays, not of metal; horn, unworked or semi-worked; corozo; bedding, except linen; cushions; mattresses; coathooks, not of metal; hooks, not of metal, for clothes rails; vats, not of metal; tea trolleys; draughtsman's tables; towel dispensers, not of metal, fixed; divans; staves of wood; cabinet work; oyster shells; stakes, not of metal, for plants or trees; ladders of wood or plastics; school furniture; shelves for typewriters; placards of wood or plastics; nuts, not of metal; meerschäum; mats, removable, for sinks; curtain holders, not of textile material; beds; winding spools, not of metal, non mechanical, for flexible hoses; work benches; racks [furniture]; fans for personal use, non-electric; closures, not of metal, for containers; furniture fittings, not of metal; flower-stands [furniture]; curtain rollers; meat safes; window fittings, not of metal; bed fittings, not of metal; door fittings, not of metal; chopping blocks [tables]; covers for clothing [wardrobe]; furniture of metal; rattan; newspaper display stands; magazine racks; slatted indoor blinds; washstands [furniture]; bed casters, not of metal; lecterns; hampers [baskets] for the transport of items; partitions of wood for furniture; furniture partitions of wood; furniture casters, not of metal; mobiles [decoration]; mother-of-pearl, unworked or semi-worked; identity plates, not of metal; house numbers, not of metal, non-luminous; pillows; air pillows, not for medical purposes; straw mattresses; paillasses; screens [furniture]; clothes hooks, not of metal; bead curtains for decoration; table tops; doors for furniture; curtain rails; furniture shelves; edgings of plastic for furniture; reservoirs, not of metal nor of masonry; tanks, not of metal nor of masonry; curtain rods; curtain hooks; curtain tie-backs; writing desks; seats of metal; sofas; settees; bed bases; valves, not of metal, other than parts of machines; statues of wood, wax, plaster or plastic; tables of metal; dressing tables; moldings for picture frames; shelves for storage; lockers; mirrors [looking glasses]; deck-chairs; bolsters; trestles [furniture]; keyboards for hanging keys; plate racks; wickerwork; showcases [furniture]; air cushions, not for medical purposes; air mattresses, not for medical purposes; ambroid bars; ambroid plates; works of art, of wood, wax, plaster or plastic; bins, not of metal; vice benches [furniture]; bungs, not of metal; plugs, not of metal; sealing caps, not of metal; screws, not of metal; rivets, not of metal; pegs [pins], not of metal; bolts, not of metal; bottle caps, not of metal; bottle closures, not of metal; bottle fasteners, not of metal; dinner wagons [furniture]; busts of wood, wax, plaster or plastic; binding screws, not of metal, for cables; picture frames; picture frame brackets; picture rods

[frames]; shells; stools; bottle casings of wood; figurines of wood, wax, plaster or plastic; locks, other than electric, not of metal; poles, not of metal; letter boxes, not of metal or masonry; garment covers [storage]; signboards of wood or plastics; trolleys [furniture]; bamboo curtains; chests for toys; high chairs for babies; infant walkers; inflatable publicity objects; plastic key cards, not encoded and not magnetic; mirror tiles; pulleys of plastics for blinds; saw horses; shoulder poles [yokes]; carts for computers [furniture]; trolleys for computers [furniture]; indoor window blinds of woven wood; indoor window shades of woven wood; door handles, not of metal; hand-held mirrors [toilet mirrors]; mats for infant playpens; towel closets [furniture]; knobs, not of metal; wall-mounted baby changing platforms; baby changing mats; door bolts not of metal; indoor window blinds of paper; indoor window shades of paper; indoor window blinds of textile; doorbells, not of metal, non-electric; freestanding partitions [furniture]; screw tops, not of metal, for bottles; door knockers, not of metal; saw benches [furniture]; step stools, not of metal; bathtub grab bars, not of metal; collars, not of metal, for fastening pipes; jewellery organizer displays; sleeping pads; sleeping mats; split rings, not of metal, for keys; door stops, not of metal or rubber; window stops, not of metal or rubber; sash fasteners, not of metal, for windows; window fasteners, not of metal; door fasteners, not of metal; tool boxes, not of metal, empty; tool chests, not of metal, empty; shelving units; bag hangers, not of metal; plastic keys; brackets, not of metal, for furniture; labels of plastic; clips of plastic for sealing bags; bumper guards for cots, other than bed linen; boxes of wood or plastic; cots for babies; cribs for babies; moses baskets; legs for furniture; feet for furniture; wardrobes; footstools; air beds, not for medical purposes; camping mattresses; plastic ramps for use with vehicles; shower chairs; head support cushions for babies; anti-roll cushions for babies; head positioning pillows for babies; stoppers, not of glass, metal or rubber.

35 – Bill-posting; dissemination of advertising matter; updating of advertising material; distribution of samples; publicity material rental; publication of publicity texts; advertising; radio advertising; public relations; television advertising; shop window dressing; organization of exhibitions for commercial or advertising purposes; rental of advertising space; sales promotion for others; compilation of information into computer databases; systemization of information into computer databases; organization of trade fairs for commercial or advertising purposes; online advertising on a computer network; procurement services for others [purchasing goods and services for other businesses]; data search in computer files for others; rental of advertising time on communication media; news clipping services; rental of vending machines; presentation of goods on com-

munication media, for retail purposes; commercial information and advice for consumers in the choice of products and services; administrative processing of purchase orders; outsourcing services [business assistance]; invoicing; writing of publicity texts; layout services for advertising purposes; marketing; design of advertising materials; outdoor advertising.

(260) AM 2020 104353 A

(800) 1479945

(151) 2018 10 22

(891) 2018 10 22

(731) UAB "FINOLITA UNIO"

J. Savickio str. 4, LT-01108 Vilnius, Lithuania

(540)



(591) Red and blue; F-blue-color code 100% PANTONE 547C; C:95 M:35 Y:30 K:60; r:0 g:65 b:80 №004150; Corner of letter F in red-color code: 90% PANTONE 711C; C:5 M:90 Y:70 K:8; R:210 G:60 B:70; №D23C46 I-blue-color code: C:90 M:29 y:31 K:56; r:0 g:82 b:96; №005260 Left of letter N in blue-color code: C:89 M:28 y:31 K:53; r:0 g:87 b:101 №005765 Right of №-blue-color code: C:85 M:23 y 33 K:43; r:0 g:103 b:116 №006774 Left of O-blue- color code: C:85 M:23 y:33 k:42 r:0 g:104 b:117; №006875 Right of O-blue- color code: C:82 M:16 y:32 K:28; r:0 g:104 b:117; №007E8A Inside of O-red-color code: 90% PANTONE 711C; C:5 M:90 Y:70 K:8; R:210 G:60 B:70 №D23C46 Left of L-blue-color code: C: 81 M:15 y:33 K:25; r:0 g:132 b:143 №00848F Right of L-blue-color code C:80 M:11 y:33 K:18 r:0 g:143 b:143 №008F99 I-blue-color code C:79 M:10 y:33 k:16 r:0 g:147 b:157; №00939D Left of T-blue-color code C:79 M:10 y:33 K:16 r:0 g:147 b:157; №00939D Right of T-Blue-color code C:77 M:7 y:31 K:9 r:0 g:159 b:169 №009Fa9 Left of A-blue-color code C:77 M:7 y31 k:9 r:0 g:159 b:169; №009Fa9 Right of A-blue- color code 100% PANTONE 7466c; C80 M:5 y:30 k:5; r:0 g:175 b:190 №00afbe Slash of A-red-color code 90% PANTONE 711C; C:5 M:90 y:70 k:8; R210 G:60 B:70 №D23C46 Shadow of A-blue-color code 100% PANTONE 547C; C:95 M:35 y:30 k:60; r:0 g:65 b:80; N004150.

(531) 25.12.03; 26.04.05; 26.04.18; 27.01.01;
27.05.01; 29.01.13

(511)

36 – Financial and monetary transaction services; financial and monetary services, and banking; finance services; electronic payment services; card services; credit card and payment card services; bank card, credit card, debit card and electronic payment card services; automated banking services relating to charge card transactions; payment processing; financial payment services; automated payment services; conducting cashless payment transactions; cash, check (cheque) and money order services; processing of payments for banks; collection of payments; automated payment of accounts; revolving credit services; banking services relating to the acceptance of fixed interval installment payments; factoring; factoring of financial undertakings; bank account services; banking and financing services; provision of current accounts; electronic banking via a global computer network [Internet banking]; electronic banking services; financial services provided by electronic means; financial services provided via the Internet; bank account information services; online banking; online business banking services; brokerage services for arranging financing by other financial institutions; monetary services; foreign currency transfer services.

(260) AM 2020 104354 A

(800) 1479946

(151) 2019 04 24

(891) 2019 04 24

(731) TRELLEBORG BOHEMIA, A.S.

Akademika Bedrny 531/8a, CZ-500 03

Hradec Králové, Věkoše, Czech Republic

(540)



(591) White and blue

(531) 03.02.07; 03.02.24; 26.01.03; 26.01.15;
26.01.18; 27.03.03; 27.05.17; 29.01.12

(511)

7 – V-belts, cogged belts, flat belts, drive belts for engines and other driving machines.

12 – Cycle tyres, bicycle tubes; v-belts, cogged belts, flat belts for land vehicles.

17 – Stuffing rings, not of metal; shaft gaskets; bearing seals; mechanical rubber goods; pneumatic-suspension bellows; rubber sleeves; gaskets; rubber plates; rubber foils; rubber grommets; liquid packings; rubber bellows; rubber inflatable dams; rubber lifting pouches; rubber sealing pouches; rubber membranes; rubber shaft couplings; extruded hoses; extruded sections of rubber; rubber compensators.

20 – Rubber tanks; rubber containers.

28 – Sports articles made of rubber; hockey pucks.

(260) AM 2020 104394 A

(800) 1017171

(151) 2009 07 10

(891) 2019 07 11

(731) Obshchestvo s ogranichennoy

otvetstvennostyu "PTO "Teh-KREP"

Room 4a, bldg. 1a, Il'inskoye roadway,

RU-143405 Krasnogorsk, Moscow region,

Russian Federation

(540)



(591) Black, grey, red and white

(531) 26.04.02; 26.04.09; 27.05.09; 27.05.11;
29.01.13

(511)

6 – Metal building materials; transportable buildings of metal; ironmongery, small items of metal hardware; screws of metal; nuts of metal; nails; blooms (metallurgy); bolts, flat; crampons and buckles of metal (cramps); rivets of metal; locks of metal, other than electric; binding screws of metal for cables; machine belt fasteners of metal; door bolts; buildings of metal; steel buildings; bottle closures of metal; closures of metal for containers; bolts; wall plugs of metal; latches of metal; stretchers for metal bands (tension links); cermets; building materials of metal; masts of metal, sheets and plates of metal; common metals, unwrought or semi-wrought; door knockers; anchors; fittings of metal for compressed air ducts; beacons of metal, non-luminous; vats of metal; girders of metal; joists of metal; bottles (metal containers) for compressed gas or liquid air; preserve tins; reels of metal, non-mechanical, for flexible hoses; swimming pools (metal structures); blooms (metallurgy); ingots of common metal; bolts of metal; casks of metal; barrels of metal; identification bracelets of metal, for hospitals; bells; helmets; letters and numerals of common metal, except type; silos of metal; busts of common metal; vice benches of metal; aviaries of metal (structures); hoppers of metal, non-mechanical; gates of metal; signboards of metal; diving boards of metal; loading gauge rods, of metal, for railway waggons; tombs of metal; vice claws of metal; doors of metal; chimney cowls of metal; paving blocks of metal; memorial plaques, of metal; tombstone plaques of metal; chimney shafts of metal; packaging containers of metal; containers of metal for storing acids; tins; jalousies of metal; gutters of metal; bungs of metal; door bells, non-electric; signs, non-luminous and non-mechanical, of metal, for roads; signs, non-luminous and non-

mechanical, of metal; number plates, of metal; works of art of common metal; hardware of metal, small; cabanas of metal; paint spraying booths, of metal; telephone booths of metal; ropes of metal; greenhouse frames of metal; framework of metal for building; cornices of metal; skating rinks (structures of metal); cermets; drain traps (valves) of metal; keys; winding keys of metal; knobs of metal; chill-molds (foundry); tent pegs of metal; rings of common metal for keys; copper rings; ferrules of metal; rings of metal; collars of metal for fastening pipes; elbows of metal for pipes; bed casters of metal; furniture casters of metal; manifolds of metal for pipelines; pillars of metal for buildings; sealing caps of metal; bottle caps of metal; door fittings, of metal; fittings of metal for windows; guard rails of metal; baskets of metal; door cases of metal; stringers (parts of staircases) of metal; taps for casks, of metal; tubing of metal; casings of metal for oil wells; roofing of metal; brackets of metal for building; turntables (railways); manhole covers of metal; pitons of metal (mountaineering equipment); hooks (metal hardware); hooks of metal for clothes rails; clothes hooks of metal; bands of metal for tying-up purposes; staircases of metal; steel sheets; foundry molds (moulds) of metal; cast steel; traps for wild animals; monuments of metal; monuments of metal for tombs; roof flashing of metal; fish plates (rails); flashing of metal, for building; anvils; ferrules of metal for walking sticks; rope thimbles of metal; handcuffs; duckboards of metal; grease nipples; thread of metal for tying-up purposes; house numbers of metal, non-luminous; braces of metal for handling loads; wall linings of metal (building); cladding of metal for construction and building; mouldings of metal for cornices; laths of metal; barrel hoops of metal; pallings of metal; ironwork for doors; ironwork for windows; windows of metal; shuttering of metal for concrete; filings of metal; props of metal; wainscoting of metal; branching pipes of metal; partitions of metal; lintels of metal; shims; tiles of metal for building; gravestone slabs of metal; iron slabs; lead seals; floors of metal; ceilings of metal; gold solder; silver solder; iron wire; washers of metal; frames of metal for building; tanks of metal; rails of metal; gratings of metal; pulleys of metal, other than for machines; ores of metal; safes (strong boxes); vaults of metal (burial); buckles of common metal (hardware); jets of metal; alloys of common metal; shutters of metal; steel, unwrought or semi-wrought; pegs of metal; posts of metal; cables of metal, non-electric; pipe work of metal; pipes of metal; angle irons; stops of metal; flanges of metal (collars); foils of metal for wrapping and packaging; fittings of metal for furniture; chains of metal; vats of metal; balls of steel; hinges of metal; poles of metal; chests of metal.

(260) AM 2020 104470 A

(800) 1480922

(151) 2019 03 18

(891) 2019 03 18

(731) HANERGY CO-INNO MOBILE ENERGY INVESTMENT CO., LTD.
NO.0801, FLOOR 7, ROOM 101, FLOOR 1 TO 14, BUILDING 3, YARD 8, BEICHEN WEST ROAD, CHAOYANG DISTRICT, BEIJING, China

(540)

Hanergy

(591) Black, white

(531) 27.05.01

(511)

11 – Lamps; lights for vehicles; germicidal lamps for purifying air; curling lamps; acetylene flares; cooking apparatus and installations; lava rocks for use in barbecue grills; refrigerators; air purifying apparatus and machines; hair driers; water heaters; fog making machines; heating installations; watering installations, automatic; solar water heaters; filters for drinking water; radiators, electric; lighters; polymerisation installations; air purifier; air purifier for household; table lamps; fans [air-conditioning]; domestic electric fans; portable refrigerator; bath heater; filters for air conditioning; toilet tank; household electric water purifier; water filtering apparatus; refrigerating cabinets; shower head sprayers; electric cooker; coffee percolators, electric; kettles, electric; household faucet filter; water purifying apparatus; household humidifier; coffee machines, electric; multi-functional electric pot; lamp for tent; bathroom heater; electric kettle for household; toasters; microwave ovens [cooking apparatus]; pocket searchlights; solar lamps; searchlights; night light; string lights for festive decoration; desk fan powered by usb; air purifier for automobile.

28 – Toy bricks; smart toys; playing cards; playing balls; body-building apparatus; archery implements; skis; hunting game calls; swimming pools [play articles]; plastic runway; knee guards [sports articles]; drones [toys]; bells for Christmas trees; rods for fishing; twirling batons; strings for sports rackets; camouflage screens [sports articles]; scratch cards for playing lottery games; games; toy watch; controllers for game consoles; in-line roller skates.

36 – Life insurance underwriting; financing services; providing financial information via a web site; jewelry appraisal; real estate agencies; brokerage; guarantees; charitable fund raising; fiduciary; lending against security.

(260) AM 2020 104479 A
 (800) 1480963
 (151) 2018 12 10
 (891) 2018 12 10
 (731) PATANJALI AYURVED LIMITED
 d-38 industrial area, Haridwar 249401,
 India

(540)
The logo for PATANJALI features the brand name in a bold, serif font. A stylized, multi-colored swoosh (green, yellow, and orange) curves under the letters.

(591) Brown, light brown, green
 (531) 26.11.02; 26.11.12; 27.05.08; 29.01.14
 (511)
 31 – Agricultural, horticultural and forestry products and grains not included in other classes; live animals; fresh fruits and vegetables; seeds, natural plants and flowers; foodstuffs for animals, malt.

(260) AM 2020 104480 A
 (800) 1480989
 (151) 2019 05 16
 (891) 2019 05 16
 (731) Obshestvo s ogranichennoi otvetstvennostyu "VSK"
 ul. 50-let Oktyabrya, 113, g. Dimitrovgrad,
 RU-433502 Ul'yanovskaya oblast, Russian
 Federation

(540)
The logo depicts a man in a hat and work clothes standing next to a large, ornate copper brewing vessel. Below the illustration, the Russian text "МЕДЬ И СОЛОД" is written in a bold, serif font.

(591) Beige, brown, grey, yellow, orange, white and black
 (531) 02.01.18; 15.01.01; 28.05; 29.01.13
 (511)
 32 – Barley wine [beer]; kvass [non-alcoholic beverage]; beer-based cocktails; non-alcoholic beverages; non-alcoholic honey-based beverages; soya-based beverages, other than milk substitutes; soft drinks; beer; ginger beer; malt beer; must; beer wort; malt wort; extracts of hops for making beer; essences for making beverages.
 33 – Cocktails; alcoholic beverages, except beer; spirits [beverages]; distilled beverages; mead [hydromel]; cider.

(260) AM 2020 104481 A
 (800) 1481008
 (151) 2019 04 05
 (891) 2019 04 05
 (731) Guangzhou Zhongdai Decorative Building
 Materials Co., Ltd.
 1705-1708, No. 332, Tonghe Road, Baiyun
 District, Guangzhou City, Guangdong
 Province, China
 (540)

The logo for ZHONGDAI features a stylized, bold letter 'Z' composed of black and white geometric shapes.

ZHONGDAI
 中岱

(591) Black, white
 (531) 26.03.23; 26.04.12; 26.04.16; 26.04.18; 28.03
 (511)
 2 – Paints; wood coatings [paints]; printing ink; varnishes; coatings for roofing felt [paints]; aluminium paints; ink [toners] for photocopiers; coatings [paints]; fireproof paints; anti-rust oils.

3 – Grinding preparations; abrasives; abrasive paper; shoe cream; polish for furniture and flooring; emery cloth; cleaning preparations; floor wax; abrasive paper; polishing stones.

6 – Building materials of metal; works of art of common metal; alloys of common metal; gutter pipes of metal; gates of metal; manhole covers of metal; scaffolding of metal; fittings of metal for furniture; locks [other than electric] of metal; safes [strong boxes]; rods of metal for welding; ladders of metal; windows of metal; steel wire; iron wire; fittings of metal for windows; elbows of metal for pipes; small hardware of metal; door fittings of metal; tool boxes of metal [empty]; identity plates of metal; metal cages for wild animals.

7 – Foodstuff packaging machine; handling apparatus for loading and unloading; mills for household purposes, other than hand-operated; milling machines; cutting machines; stropping machines; sharpening wheels [parts of machines]; drilling heads [parts of machines]; machine tools; electric hand drills; riveting machines; chain saws; shears, electric; welding machines, electric; soldering apparatus, gas-operated; dust exhausting installations for cleaning purposes; compressed air guns for the extrusion of mastics; vacuum pumps [machines]; compressed air machines; garbage [waste] disposals; door openers, electric; aerating pumps for aquaria; saw benches [parts of machines]; printing machines; juice extractors, electric; metalworking machines; punching machines for metalworking; jacks [machines];

blades [parts of machines]; hand-held tools, other than hand-operated; electric screwdriver; kitchen machines, electric; sharpening wheels [parts of machines]; water heaters [parts of machines]; bellows [machines]; hydraulic door closers; meat choppers [machines]; computer aided carvers (machines); juice extractors, electric; agricultural machines; agricultural implements other than hand-operated; mixing machines.

8 – Squares [hand tools]; spanners [hand tools]; axes; needle files; saw blades [parts of hand tools]; saws [hand tools]; lifting jacks, hand-operated; hand-operated packing tools; knives; scissors; abrading instruments [hand instruments]; riveters [hand tools]; table cutlery [knives, forks and spoons]; garden tools [hand-operated]; gouges [hand tools]; planes; rams [hand tools]; rasps [hand tools]; tongs; hand tools, hand-operated; agricultural implements [hand-operated]; guns, hand-operated, for the extrusion of mastics; instruments and tools for skinning animals; bits [parts of hand tools]; screwdrivers, non-electric.

9 – Data processing apparatus; monitors [computer programs]; branch boxes [electricity]; counters; detectors; junction boxes [electricity]; switches, electric; fire extinguishing apparatus; counterfeit coin detectors; electronic notice boards; electronic surveillance apparatus; surveying instruments; material for electricity mains [wires, cables]; semi-conductors; chips [integrated circuits]; filters for respiratory masks; peepholes [magnifying lenses] for doors; eyeglasses; slide-rules; identity cards, magnetic; plugs, sockets and other contacts [electric connections]; clothing for protection against accidents, irradiation and fire; electric door bells; pedometers; handprint checking machines, namely, fingerprint scanners; face recognition equipment; weighing machines; measures; beacons, luminous; transponders; cameras [photography]; optic fiber cables; coils, electric; electric batteries; protective helmets; life buoys; locks, electric.

11 – Cooking utensils, electric; mixer taps for water pipes; toilet bowls; hydromassage bath apparatus; lighters; lighting apparatus and installations; lights for vehicles; refrigerating apparatus and machines; drinking water dispenser; cooking apparatus and installations; level controlling valves in tanks; hot water heating installations; electric dish sterilizer; hot water bottles; ornamental fountains; bath tubs for sitz baths; heaters for baths.

12 – Fork lift trucks; driverless cars [autonomous cars]; wheelchairs; bicycles; anti-theft devices for vehicles; hand cars; baby carriages; electric vehicles; motorcycles; repair outfits for inner tubes.

18 – Bags for sports; travelling trucks; umbrellas; leather leashes; school satchels; pocket wallets;

handbags; clothing for pets; imitation leather; tool bags of leather [empty]; backpacks.

19 – Plywood; palings, not of metal; steel-reinforced plastic doors and windows; panels of plastic for use in building; wood, semi-worked; veneers; resin compound boards for use as building materials; wooden floor boards; water pipes, not of metal; aluminium-plastic composite tube (plastic predominating); gates, not of metal; fibreboard; manhole covers, not of metal; rubber floor tiles; building glass.

22 – Ropes, not of metal; bags [sacks] for the transport and storage of materials in bulk; padding materials, not of rubber, plastics, paper or paperboard; fishing nets; kapok; tarpaulins; hammocks; tents; bags [envelopes, pouches] of textile, for packaging.

24 – Upholstery fabrics; household linen; coverings of plastic for furniture; cloth; textile material; towels of textile; bedspreads; sheets [textile]; table linen [not of paper]; curtains of textile or plastic.

28 – Fairground ride apparatus; body-training apparatus; archery implements; table for table tennis; playing balls; golf clubs; fishing tackle; billiard cues; rackets; machines for physical exercises; toys; hockey sticks; ornaments for Christmas trees [except illumination articles and confectionery].

(260) AM 2020 104482 A

(800) 1481051

(151) 2019 04 19

(891) 2019 04 19

(731) EURO GAMES TECHNOLOGY LTD.

"Maritsa" Str. 4, "Vranya-Lozen-Triugulnika",
BG-1151 Sofia, Bulgaria

(540)



(591) Yellow, brown, red, orange, white and black

(531) 25.01.25; 27.05.03; 27.05.08; 27.05.09;
27.05.10; 29.01.14

(511)

9 – Software; computer gaming software; computer software packages; computer operating system software; computer software, recorded; software drivers; virtual reality software; games software; entertainment software for computer games; computer programs for network management; operating computer software for mainframe computers; monitors (computer hardware); computer hardware; apparatus for recording images; monitors (computer programs); computer game programs; computer programs for recorded games; apparatus for recording, transmission or reproduction of sound or images; communications servers [computer hardware]; electronic components for gambling machines; computer application software featuring games and gaming; computer software for the administration of on-line ga-

mes and gaming; computer hardware for games and gaming; electronic components and computer software for gambling, gambling machines, gambling games on the internet and via telecommunication network.

28 – Gaming machines for gambling; chips for gambling; mah-jong; arcade games; gambling machines operating with coins, notes and cards; games; electronic games; parlor games; gaming chips; gaming tables; slot machines [gaming machines]; LCD game machines; slot machines and gaming devices; coin-operated amusement machines; roulette chips; poker chips; chips and dice [gaming equipment]; equipment for casinos; roulette tables; gaming roulette wheels; casino games; gambling machines and amusement machines, automatic and coin-operated; coin-operated amusement machines and/or electronic coin-operated amusement machines with or without the possibility of gain; boxes for coin-operated machines, slot machines and gaming machines; electronic or electrotechnical amusement machines and apparatus, gaming machines, coin-operated entertainment machines; housings for coin-operated machines, gaming equipment, gaming machines, machines for gambling; electropneumatic and electrical slot machines (gaming machines for gambling).

41 – Gambling; services related to gambling; gaming services for entertainment purposes; casino, gaming and gambling services; training in the development of software systems; provision of equipment for gambling halls; providing casino equipment [gambling]; gaming machine entertainment services; providing casino facilities [gambling]; gaming hall services; amusement arcade services; games equipment rental; rental of gaming machines; providing amusement arcade services; rental of gaming machines with images of fruits; editing or recording of sounds and images; sound recording and video entertainment services; hire of sound reproducing apparatus; provision of gaming equipment for casinos; providing of casino facilities; online gambling services; casino, gaming and gambling services; provision of gaming establishments, gaming halls, Internet casinos, online gaming services.

(260) AM 2020 104483 A
(800) 1481090
(151) 2019 02 13
(891) 2019 02 13
(731) Société des Produits Nestlé S.A.
CH-1800 Vevey, Switzerland
(540)

ПРИРОДА ВКУСА

(591) Black, white
(531) 28.05

(511)
31 – Foodstuffs for animals.

(260) AM 2020 104520 A
(800) 1482039
(151) 2019 05 13
(891) 2019 05 13
(731) ANSHAN HIFICHEM CO., LTD.
No.8, No.1 Road, Tengao Economic
Development Zone, Anshan City, 114225
Liaoning Province, China
(540)



(591) Red, orange, light orange, dark yellow,
light yellow, yellow, green, black
(531) 05.05.20; 27.05.01; 29.01; 29.01.15
(511)
1 – Plastics, unprocessed; synthetic resins, unprocessed; artificial resins, unprocessed; filtering materials of unprocessed plastics; polymer resins, unprocessed; unprocessed silicone resins; plastic molding compounds for use in plastic extrusion operations; unprocessed plastic materials in paste form; nylon salt; polyurethane.
2 – Colorants; dyes; pigments; color masterbatch; food dyes; printing ink; paints; lacquers; anti-corrosion preparations; gum resins.
17 – Artificial resins, semi-processed; synthetic resins, semi-processed; plastics, semi-processed; plastic fibers, not for use in textiles; semi-processed plastic film filter material; semi-manufactured plastics; organic glass; plastic film, other than for wrapping; plastic sheeting for agricultural purposes; anti-dazzle films for windows [tinted films].
35 – Personnel management consultancy; book-keeping.

(260) AM 2020 104522 A
(800) 884089
(151) 2006 04 19
(891) 2019 06 18
(731) POYATOS EXPORT, S.A.
Pol. Industrial Juncaril, 119, E-18220
ALBOLOTE (GRANADA), Spain
(540)



(591) Black, white
 (531) 27.05.01; 27.05.02; 27.05.21
 (511)
 7 – Machinery in general and in particular machinery for cement and its derivatives.

(260) AM 2020 104523 A
 (800) 1170382
 (151) 2013 06 24
 (891) 2019 05 10
 (731) Beiersdorf AG
 Unnastr. 48, 20253 Hamburg, Germany
 (540)

EUCERIN HYALURON-FILLER

(591) Black, white
 (511)
 3 – Cosmetics.
 5 – Medicated and dermatological preparations for body and beauty care.

(260) AM 2020 104569 A
 (800) 1482068
 (151) 2019 05 07
 (891) 2019 05 07
 (731) FERRERO S.P.A.
 Piazzale Pietro Ferrero 1, I-12051 Alba,
 Cuneo, Italy
 (540)



(591) Red-orange, white, brown, pink, grey, yellow and green
 (531) 01.15.15; 02.05.01; 02.05.02; 05.05.20;
 05.05.21; 08.01.19; 08.03.01; 11.03.01;
 11.03.02; 26.11.13; 29.01.15
 (511)
 30 – Pastries; confectionery; cocoa; chocolate; chocolate based products; ice cream.

(260) AM 2020 104589 A
 (800) 1482583
 (151) 2019 05 21
 (891) 2019 05 21
 (731) HUAWEI TECHNOLOGIES CO., LTD.
 ADMINISTRATION BUILDING, HUAWEI
 TECHNOLOGIES CO., LTD., BANTIAN,
 LONGGANG DISTRICT, SHENZHEN,
 China

(540)
HUAWEI ModelArts

(591) Black, white
 (531) 27.05.01
 (511)
 9 – Computer software applications, downloadable; central processing units for processing information, data, sound or images; computer programs, recorded; computer software for controlling and managing access server applications; operating system programs; digital signal processors; data processing apparatus; memories for data processing equipment; network communication apparatus; computer memory devices; computer operating programs; computer operating software; computer hardware; computer software, recorded; modems; computer programs [downloadable software].

42 – Cloud computing; information technology [IT] consultancy; platform as a service [PaaS]; database development services; design and development of computer databases; design and development of wireless computer networks; server hosting; design of telecommunications apparatus and its components; electronic data back-up; electronic data storage; consultancy in the design and development of computer hardware; updating and maintenance of computer software; maintenance and upgrading of computer software; computer software design; software as a service [SaaS]; developing of driver and operating system software.

(260) AM 2020 104590 A
 (800) 1482611
 (151) 2019 06 11
 (891) 2019 06 11
 (731) SD Filtration A/S
 Niels Bohrs Vej 31, DK-8660 Skanderborg,
 Denmark
 (540)

LEANFLUX

(591) Black, white
 (511)
 7 – Machines for food processing; dairy equipment, namely machines for the industrial production of foodstuffs, dairy products and dairy substitutes; centrifugal and filtering machines for processing foodstuffs, milk, dairy products and milk substitutes; motors for food processing machines; spare parts for dairy machines, namely machines for the preparation of foodstuffs, dairy products and milk substitutes; spare parts for centrifugal and filtering machines for the preparation of foodstuffs, milk, dairy products and milk substitutes; sealing, packing and filling machines; machines for applying labels to containers and bottles; machines for blending and dilution of liquid foodstuffs; machines for blending of liquid

foodstuffs; all the aforesaid goods being for use in the dairy, foodstuff and food industries.

11 – Apparatus for sterilising foodstuffs, milk, dairy products and dairy substitutes; pasteurisers; milk cooling installations and refrigerating installations; evaporators; apparatus for heating, freezing, refrigerating, ventilating, cooking, concentrating, pasteurising, drying, distilling, sterilising and disinfecting; apparatus for lighting, steam generating, cooking, ventilating, water supply and sanitary purposes; filters and valves being parts of industrial installations; spare parts, valves and wearing parts for industrial installations, namely for apparatus for sterilisation of foodstuffs, milk, dairy products and milk substitutes, pasteurisers; milk cooling installations and refrigerating installations; evaporators, apparatus for heating purposes, freezing, refrigerating, ventilation, filtration, sanitary purposes, cooking, concentration; pasteurisation, drying, distillation, sterilisation and disinfection, apparatus for lighting, steam generating and cooking purposes, ventilation, filtration, sanitary purposes, water supply and sanitary installations, filters and valves being parts of industrial installations; all the aforesaid goods being for use in the dairy, foodstuff and food industries.

(260) AM 2020 104591 A

(800) 1482615

(151) 2019 06 10

(891) 2019 06 10

(731) TERIUS BUSINESS LIMITED

Vanerpool Plaza, Wickhams Cay 1, 2Floor,
Road Town, Tortola, British Virgin Islands,
Virgin Islands (British)

(540)

MISHANYA

(591) Black, white

(511)

5 – Dietetic foods, including dietetic foods adapted for medical purposes; dietetic beverages for medical purposes; albuminous foodstuffs for medical purposes; food for babies; lacteal flour for babies; mineral food supplements; nutritional supplements; albumin dietary supplements; dietary supplements for animals; yeast dietary supplements; alginate dietary supplements; glucose dietary supplements; casein dietary supplements; lecithin dietary supplements; linseed oil dietary supplements; propolis dietary supplements; protein dietary supplements; protein supplements for animals; royal jelly dietary supplements; pollen dietary supplements; wheat germ dietary supplements; linseed dietary supplements; enzyme dietary supplements; vitamin preparations; medicinal tea; herbal teas for medicinal purposes.

30 – Gruel, with a milk base, for food; flowers or leaves for use as tea substitutes; tea; iced tea.

(260) AM 2020 104592 A

(800) 1482645

(151) 2019 05 16

(891) 2019 05 16

(731) Obshchestvo s ogranichennoy
otvetstvennost'yu "AGIDEL"
ul. Sotsialisticheskaya, 58Б BlagoveshchenskБ
RU-453434 Republic of Bashkortostan,
Russian Federation

(540)

БАСВУЛ

BASWOOL

(591) Black, white

(531) 28.05

(511)

17 – Unprocessed and semi-processed rubber, gutta-percha, gum, asbestos, mica and substitutes for all these materials; plastics and resins in extruded form for use in manufacture; packing, stopping and insulating materials; flexible pipes, tubes and hoses, not of metal.

19 – Materials, not of metal, for building and construction; rigid pipes, not of metal, for building; asphalt, pitch, tar and bitumen; transportable buildings, not of metal; monuments, not of metal.

35 – Advertising; business management; business administration; office functions.

(260) AM 2020 104593 A

(800) 1482694

(151) 2019 06 17

(891) 2019 06 17

(731) Obshchestvo s ogranichennoj otvetstvennostyu
"MEGAPIR"
territoriya SDT Yubilejnoe-1, d. 77, g.
Pyatigorsk, RU-357500 Stavropolskij kraj,
Russian Federation

(540)



(591) Blue, dark blue, red, dark red and white

(531) 01.01.01; 01.01.02; 01.01.12; 26.11.12; 28.05;
29.01.13

(511)

13 – Bengal lights; firecrackers; pyrotechnic products; fireworks.

(260) AM 2020 104594 A

(800) 1482697

(151) 2019 05 15

(891) 2019 05 15

(731) Real Tropical Food Besloten Vennootschap
Osdorperweg 590, NL-1067 SZ Amsterdam,
Netherlands

(540)



(591) Black, white

(531) 26.11.02; 26.11.25; 27.05.01; 27.05.02;
27.05.08; 27.05.11

(511)

32 – Beer; mineral and aerated waters and other non-
alcoholic beverages; fruit drinks and fruit juices;
syrups and other preparations for making beverages.

(260) AM 2020 104595 A

(800) 1482705

(151) 2019 07 09

(891) 2019 07 09

(731) ZHEJIANG ZHANGHUA HEALTH &
BEAUTY HAIR INDUSTRY CO., LTD.
NO 16 LONGPU ROAD, DONGCHENG
DEVELOPMENT ZONE, HUANGYAN
DISTRICT, TAIZHOU CITY, ZHEJIANG,
China

(540)



(591) Black, white

(531) 26.03.02; 26.03.10; 26.13.25; 28.03

(511)

3 – Hair dyes; hair conditioners; hair treatment cre-
am; hair waving preparations; shampoos; hair cre-
ams; hair mousse; cosmetics; hand soap; perfumes.

(260) AM 2020 104596 A

(800) 1482801

(151) 2019 03 22

(891) 2019 03 22

(731) Limited Liability Company "TORGOVAYA
COMPANIYA KHADYZHI"
b-r imeni Klari Luchko, 10A, of. 90,
RU-350089 Krasnodar, Russian Federation

(540)



(591) Green, dark green, white, beige, yellow

(531) 05.07.02; 09.01.10; 25.01.19; 29.01.14

(511)

29 – Peanut milk; almond milk; meat, fish, poultry
and game; meat extracts; preserved, frozen, dried
and cooked fruits and vegetables; jellies, jams, com-
potes; eggs, milk and milk products; oils and fats for
food; ajvar [preserved peppers]; aloe vera prepared
for human consumption; alginates for culinary pur-
poses; peanuts, prepared; albumen for culinary pur-
poses; white of eggs; beans, preserved; soya beans,
preserved, for food; bouillon; ginger jam; ham; fatty
substances for the manufacture of edible fats; edible
birds' nests; peas, preserved; mushrooms, preserved;
gelatine; meat jellies; jellies for food; fruit jellies;
yolk of eggs; coconut fat; bone oil for food; lard; su-
et for food; fruit-based snack food; charcuterie; rai-
sins; caviar; fish roe, processed; yogurt; sauerkraut;
kephir [milk beverage]; isinglass for food; clams, not
live; milk shakes; black pudding; compotes; meat,
tinned; vegetables, tinned; fish, tinned; fruits, tinned;
bouillon concentrates; gherkins; shrimps, not live;
prawns, not live; buttercream; croquettes; silkworm
chrysalis for human consumption; kumys [milk
beverage]; spiny lobsters, not live; lecithin for culi-
nary purposes; onions, preserved; margarine; mar-
malade; peanut butter; coconut butter; corn oil for
food; sesame oil for food; olive oil for food; palm oil
for food; palm kernel oil for food; sunflower oil for
food; colza oil for food; butter; shellfish, not live; al-
monds, ground; animal marrow for food; mussels,
not live; condensed milk; albumin milk; soya milk
[milk substitute]; fish meal for human consumption;
vegetable mousses; fish mousses; fruit pulp; meat,
preserved; milk beverages, milk predominating; po-
tato fritters; olives, preserved; lobsters, not live; co-
conut, desiccated; nuts, prepared; tomato purée; liver
pâté; pectin for culinary purposes; liver; pickles;
jams; powdered eggs; food products made from fish;
prostokvasha [soured milk]; poultry, not live; pollen
prepared as foodstuff; cranberry compote; apple pu-
rée; crayfish, not live; crustaceans, not live; fish,
preserved; fish, not live; salted fish; ryazhenka [fer-
mented baked milk]; vegetable salads; fruit salads;
bacon; pork; seeds, prepared; sunflower seeds, pre-
pared; cream [dairy products]; whipped cream; fat-
containing mixtures for bread slices; smetana [sour
cream]; tomato juice for cooking; vegetable juices
for cooking; salted meats; sausages; sausages in
batter; preparations for making bouillon; preparati-

ons for making soup; tripe; soups; vegetable soup preparations; whey; cheese; tahini [sesame seed paste]; tofu; sea-cucumbers, not live; truffles, preserved; tuna fish; oysters, not live; milk ferments for culinary purposes; rennet; dates; crystallized fruits; frozen fruits; fruit preserved in alcohol; potato flakes; hummus [chickpea paste]; fruit peel; preserved garlic; lentils, preserved; potato chips; low-fat potato chips; fruit chips; non-alcoholic eggnog; seaweed extracts for food; snail eggs for consumption; salmon, not live; fish fillets; sardines, not live; anchovy, not live; cocoa butter for food; herrings, not live; kimchi [fermented vegetable dish]; coconut oil for food; linseed oil for food.

30 – Piccalilli; seaweed [condiment]; yeast, baking-powder; salt, mustard; vinegar, sauces [condiments]; spices; aromatic preparations for food; flavorings, other than essential oils, for cakes; flavorings, other than essential oils, for beverages; coffee flavorings; star aniseed; cereal bars; high-protein cereal bars; pancakes; noodle-based prepared meals; buns; bread rolls; vanillin [vanilla substitute]; waffles; vermicelli [noodles]; natural sweeteners; sausage binding materials; sea water for cooking; malt biscuits; cloves [spice]; cake frosting [icing]; glucose for culinary purposes; gluten additives for culinary purposes; thickening agents for cooking foodstuffs; leaven; rice-based snack food; cereal-based snack food; vegetal preparations for use as coffee substitutes; dressings for salad; fruit jellies [confectionery]; confectionery for decorating Christmas trees; cakes; pastries; peanut confectionery; almond confectionery; pasta; ginger [spice]; frozen yogurt [confectionery ices]; capers; curry [spice]; ketchup [sauce]; quiches; gluten prepared as foodstuff; sweetmeats [candy]; liquorice [confectionery]; peppermint sweets; cinnamon [spice]; unroasted coffee; starch for food; crackers; custard; hominy grits; semolina; oatmeal; crushed barley; groats for human food; corn, milled; corn, roasted; meat pies; couscous [semolina]; noodles; ice, natural or artificial; edible ices; candy; rice cakes; mayonnaise; macaroons [pastry]; macaroni; maltose; hominy; marinades; marzipan; royal jelly; bean meal; corn flour; flour; wheat flour; soya flour; barley meal; dessert mousses [confectionery]; chocolate mousses; muesli; mint for confectionery; cocoa beverages with milk; coffee beverages with milk; coffee-based beverages; tea-based beverages; chocolate beverages with milk; chocolate-based beverages; cocoa-based beverages; infusions, not medicinal; crushed oats; husked oats; nutmegs; stick liquorice [confectionery]; soya bean paste [condiment]; pastilles [confectionery]; molasses for food; pepper; allspice; peppers [seasonings]; pesto [sauce]; cookies; petit-beurre biscuits; pies; pizzas; meat gravies; fondants [confectionery]; popcorn; mustard meal; pralines; meat tenderizers for household purposes; oat-based food; propolis; gingerbread; petits fours [cakes]; puddings; cake powder; fruit coulis

[sauces]; ravioli; chewing gum; relish [condiment]; wheat germ for human consumption; spring rolls; palm sugar; aniseed; golden syrup; confectionery; baking soda [bicarbonate of soda for cooking purposes]; malt for human consumption; salt for preserving foodstuffs; cooking salt; celery salt; sherbets [ices]; ham glaze; soya sauce; tomato sauce; pasta sauce; sauces [condiments]; spaghetti; seasonings; preparations for stiffening whipped cream; rusks; breadcrumbs; sushi; sandwiches; tabbouleh; tacos; cream of tartar for culinary purposes; tarts; dough; almond paste; tortillas; garden herbs, preserved [seasonings]; beer vinegar; ferments for pastes; halvah; bread; unleavened bread; chips [cereal products]; corn flakes; oat flakes; chicory [coffee substitute]; iced tea; chutneys [condiments]; cheeseburgers [sandwiches]; chow-chow [condiment]; saffron [seasoning]; chocolate; malt extract for food; essences for foodstuffs, except etheric essences and essential oils; husked barley; coffee, tea, cocoa and artificial coffee; tapioca and sago; sugar, honey, treacle; cereal preparations; powders for making ice cream; bread, pastries and confectionery; ice cream; flour and preparations made from cereals; food flavorings, other than essential oils; vanilla flavorings for culinary purposes; tapioca flour; cake dough; turmeric; potato flour; binding agents for ice cream; caramels [candy]; gruel, with a milk base, for food.

31 – Live animals; fresh fruits and vegetables; natural plants and flowers; animal foodstuffs; malt; algavilla for animal consumption; peanuts, fresh; draff; beans, fresh; wreaths of natural flowers; grapes, fresh; algae for human or animal consumption; fruit residue [marc]; dog biscuits; peas, fresh; mushroom spawn for propagation; mushrooms, fresh; trees; palm trees; turf, natural; unsawn timber; undressed timber; yeast for animal consumption; Christmas trees; edible chews for animals; menagerie animals; peanut cake for animals; oil cake; maize cake for cattle; rape cake for cattle; bagasses of cane [raw material]; cereal seeds, unprocessed; grains [cereals]; grains for animal consumption; lime for animal forage; fish spawn; cocoa beans, raw; potatoes, fresh; chestnuts, fresh; copra; raw barks; rough cork; pet food; stall food for animals; bird food; strengthening animal forage; chicory roots; nettles; groats for poultry; maize; shrubs; rose bushes; spiny lobsters, live; lemons, fresh; vine plants; onions, fresh; flower bulbs; leeks, fresh; olives, fresh; bran mash for animal consumption; shellfish, live; almonds [fruits]; mussels, live; peanut meal for animals; linseed meal for animal consumption; meal for animals; flax meal [fodder]; rice meal for forage; fish meal for animal consumption; straw mulch; beverages for pets; oats; vegetables, fresh; cucumbers, fresh; lobsters, live; nuts [fruits]; coconuts; kola nuts; bran; distillery waste for animal consumption; residue in a still after distillation; palms [leaves of the palm tree]; cuttle bone for birds; peppers

[plants]; aromatic sand [litter] for pets; locust beans, raw; mash for fattening livestock; animal fattening preparations; preparations for egg laying poultry; fishing bait, live; by-products of the processing of cereals, for animal consumption; seed germ for botanical purposes; poultry, live; wheat; pollen [raw material]; crayfish, live; crustaceans, live; seedlings; plants; aloe vera plants; plants, dried, for decoration; rice, unprocessed; rye; wheat germ for animal consumption; fish, live; lettuce, fresh; linseed for animal consumption; hay; coconut shell; bred stock; sanded paper [litter] for pets; malt for brewing and distilling; straw [forage]; straw litter; salt for cattle; trunks of trees; wood chips for the manufacture of wood pulp; litter peat; garden herbs, fresh; sea-cucumbers, live; sugarcane; truffles, fresh; oysters, live; fruit, fresh; fodder; hops; flowers, natural; flowers, dried, for decoration; silkworms; lentils, fresh; pine cones; hop cones; spinach, fresh; juniper berries; eggs for hatching, fertilized; silkworm eggs; barley; oranges, fresh; chicory, fresh; berries, fresh; squashes, fresh; hazelnuts, fresh; rhubarb, fresh; beet, fresh; edible sesame, unprocessed; citrus fruit, fresh.

32 – Mineral and aerated waters and other non-alcoholic beverages; fruit beverages and fruit juices; syrups and other preparations for making beverages; aperitifs, non-alcoholic; lithia water; seltzer water; soda water; waters [beverages]; table waters; kvass [non-alcoholic beverage]; cocktails, non-alcoholic; lemonades; isotonic beverages; non-alcoholic honey-based beverages; aloe vera drinks, non-alcoholic; whey beverages; non-alcoholic fruit juice beverages; fruit nectars, non-alcoholic; orgeat; ginger beer; malt beer; powders for effervescing beverages; sarsaparilla [non-alcoholic beverage]; syrups for lemonade; syrups for beverages; smoothies; tomato juice [beverage]; cider, non-alcoholic; vegetable juices [beverages]; fruit juices; preparations for making aerated water; must; grape must, unfermented; beer wort; malt wort; pastilles for effervescing beverages; sherbets [beverages]; non-alcoholic fruit extracts; extracts of hops for making beer; essences for making beverages; flavored beers; de-alcoholized beer; wheat beer; pale ale; low-alcohol beer; porter [beer]; black beers [roasted malt beers]; beer-based beverages.

33 – Alcoholic beverages, except beer; aperitifs; arack [arak]; brandy; wine; piquette; whisky; vodka; anisette [liqueur]; kirsch; gin; digesters [liqueurs and spirits]; cocktails; curacao; anise [liqueur]; liqueurs; pre-mixed alcoholic beverages, other than beer-based; alcoholic beverages containing fruit; spirits [beverages]; distilled beverages; mead [hydromel]; peppermint liqueurs; bitters; rum; sake; perry; cider; rice alcohol; alcoholic extracts; fruit extracts, alcoholic; alcoholic essences; nira [sugarcane-based alcoholic beverage].

35 – Business management; business administration; office functions; arranging subscriptions to telecommunication services for others; import-export agency services; commercial information agency services; advertising agency services; cost price analysis; rental of advertising space; business auditing; employment agency services; computerized file management; book-keeping; invoicing; demonstration of goods; opinion polling; market studies; business information; business investigations; business research; marketing research; personnel recruitment; business management and organization consultancy; business organization consultancy; business management consultancy; personnel management consultancy; professional business consultancy; layout services for advertising purposes; marketing; business management of performing artists; business management of sports people; news clipping services; updating of advertising material; word processing; organization of exhibitions for commercial or advertising purposes; arranging newspaper subscriptions for others; organization of fashion shows for promotional purposes; organization of trade fairs for commercial or advertising purposes; shop window dressing; business appraisals; payroll preparation; data search in computer files for others; sponsorship search; business management assistance; commercial or industrial management assistance; economic forecasting; auctioneering; production of advertising films; office machines and equipment rental; rental of advertising time on communication media; publicity material rental; rental of vending machines; rental of photocopying machines; publication of publicity texts; radio advertising; bill-posting; distribution of samples; dissemination of advertising matter; direct mail advertising; writing of publicity texts; on-line advertising on a computer network; advertising by mail order; television advertising; document reproduction; compilation of statistics; compilation of information into computer databases; business inquiries; systemization of information into computer databases; tax preparation; drawing up of statements of accounts; telemarketing services; psychological testing for the selection of personnel; business management of hotels; commercial administration of the licensing of the goods and services of others; administrative processing of purchase orders; public relations; modelling for advertising or sales promotion; typing; relocation services for businesses; price comparison services; secretarial services; procurement services for others [purchasing goods and services for other businesses]; shorthand; outsourcing services [business assistance]; telephone answering for unavailable subscribers; photocopying services; business efficiency expert services; retail and wholesale store services; Internet advertising services; banner advertising; advertising and marketing services; advertising and publicity services; advertising of cinemas; on-line advertising; advertising

of movies; classified advertising; advertising via the Internet; advertising via electronic media; transcription of communications [office functions]; commercial information and advice for consumers in the choice of products and services; copywriting; advisory services for business management; presentation of goods on communication media, for retail purposes; wholesale services for pharmaceutical, veterinary and sanitary preparations and medical supplies; retail services for pharmaceutical, veterinary and sanitary preparations and medical supplies; sales promotions at point of purchase or sale, for others.

43 – Services for providing food and drink; providing temporary housing accommodation; accommodation bureau services [hotels, boarding houses]; rental of temporary accommodation; rental of meeting rooms; tourist home services; hotel reservations; boarding house bookings; temporary accommodation reservations; hotel services; retirement home services; snack-bar services; café services; cafeteria services; motel services; boarding house services; boarding for animals; rental of cooking apparatus; rental of chairs, tables, table linen, glassware; rental of lighting apparatus other than for theatrical sets or television studios; rental of tents; rental of transportable buildings; rental of drinking water dispensers; restaurant services; self-service restaurant services; canteen services; holiday camp services [lodging]; bar services; providing campground facilities; food and drink catering; day-nursery [crèche] services.

(260) AM 2020 104653 A

(800) 1484060

(151) 2019 07 24

(891) 2019 07 24

(731) HEZE GOFEE MOTOR CO., LTD
NORTH OF WEIYI RD., ANXING TOWN,
MUDAN DISTRICT, HEZE, 274000
SHANDONG, China

(540)



(591) Black, white

(531) 25.03.01; 27.05.01; 27.05.08; 27.05.10

(526) MOTOR

(511)

7 – Alternators; stators [parts of machines]; motors, other than for land vehicles; control cables for machines, engines or motors; blowing machines or fans for the compression, sucking and carrying of grain; blowing machines for the compression, sucking and carrying of grain; suction machines for industrial

purposes; machine wheelwork; gears, other than for land vehicles; bearings [parts of machines].

(260) AM 2020 104655 A

(800) 1484084

(151) 2019 03 22

(891) 2019 03 22

(731) Blagotvoritelny fond Aliny Kabayevoy
Mozhayskoe chosse, d. 7, str. 1, RU-121471
Moscow, Russian Federation

(540)

ALINA

rhythmic gymnastics festival

(591) Black, white

(531) 27.05.10

(526) "rhythmic gymnastics festival"

(511)

41 – Education; providing of training; entertainment; sporting and cultural activities; physical education; education information; entertainment information; providing on-line electronic publications, not downloadable; gymnastic instruction; providing recreation facilities; arranging and conducting of congresses; arranging and conducting of conferences; arranging and conducting of concerts; arranging and conducting of workshops [training]; arranging and conducting of in-person educational forums; arranging and conducting of seminars; arranging and conducting of symposiums; organization of competitions [education or entertainment]; organization of cosplay entertainment events; organization of shows [impresario services]; organization of sports competitions; providing online videos, not downloadable; providing online music, not downloadable; providing television programs, not downloadable, via video-on-demand services; providing films, not downloadable, via video-on-demand services; presentation of circus performances; presentation of live performances; theatre productions; conducting fitness classes; film production, other than advertising films; publication of texts, other than publicity texts; radio entertainment; entertainer services; tutoring; holiday camp services [entertainment]; club services [entertainment or education]; teaching; ticket agency services [entertainment]; sport camp services; timing of sports events; production of shows.

(260) AM 2020 104656 A

(800) 1484143

(151) 2019 07 05

(891) 2019 07 05

(731) ACTICOR BIOTECH

Bâtiment INSERM U1148, HP BICHAT –
Secteur, Claude Bernard, 46 rue Henri
Huchard, F-75877 PARIS CEDEX 18, France

(540)

ACTICOR

(591) Black, white

(511)

1 – Antibodies for scientific use; reagents for scientific or medical research use; biochemical substances [other than for medical use]; biological preparations [other than for medical use]; proteins for use in science.

5 – Antibodies; pharmaceuticals; pharmaceutical preparations and substances.

42 – Laboratory services relating to the production of antibodies; biotechnological and pharmaceutical drug development services; pharmaceutical and biotechnological research and development; providing medical and scientific research information in the field of pharmaceuticals and clinical trials; research and development in the pharmaceutical and biotechnology fields.

(260) AM 2020 104660 A

(800) 1484272

(151) 2019 07 05

(891) 2019 07 05

(731) MESSE MÜNCHEN GMBH

Am Messesee 2, 81829 München, Germany

(540)

INTECHTRA

(591) Black, white

(511)

35 – Organization of exhibitions and trade fairs for commercial or advertising purposes; publication and issuance of advertising texts; conducting science-based product tests and service inspections [other than for scientific purposes] for consumer counselling purposes.

38 – Telecommunication services provided via Internet platforms and portals; providing access to platforms and portals on the Internet; providing access to e-commerce platforms on the Internet.

41 – Arranging of exhibitions for cultural and teaching purposes; organization and arranging of congresses and meetings.

(260) AM 2020 104683 A

(800) 1484371

(151) 2019 05 28

(891) 2019 05 28

(731) SERVICE CAR TECHNOLOGY

VERTRIEBS GMBH

Hasenkamp 4, 22880 Wedel, Germany

(540)

Senfineco

(591) Black, white

(511)

3 – Automobile polish; detergents for automobiles; turpentine for degreasing; oil of turpentine for degreasing; upholstery cleaners; spray cleaners for household purposes; wipes impregnated with a skin cleanser; spray cleaners for use on textiles; scouring liquids; windshield cleaning liquids; glass cleaning preparations; carnauba polishing wax for automobile use; shampoos; detergents prepared from petroleum.

4 – Grease for leather; lubricating grease; greases for the preservation of leather; grease for machines; additives, non-chemical, to motor fuel; all-purpose lubricants; graphite lubricants; non-chemical additives for motor oil; lubricating oil for motor vehicle engines; lubricating grease for vehicles.

7 – Filters for cleaning cooling air, for engines; fuel filters; exhausts for motors and engines; disc brakes for machines; brake linings for machines; brake pads, other than for vehicles; oil filters; oil filters for motors and engines; hydraulic engines and motors; pistons for internal combustion engines; pistons for land vehicle engines; glow plugs for diesel engines; distributors for vehicle engines; oil coolers for motors and engines; shock absorbers for machines; exhaust pipes for land vehicle engines; filters for machines; filters for motors and engines; brakes for machines; filters being parts of machines or engines; brakes for industrial machines.

(260) AM 2020 104685 A

(800) 1484452

(151) 2019 05 29

(891) 2019 05 29

(731) Joint Venture Joint-Stock Company
"KOMMUNARKA"

ul. Aranskaya 18, 220033 Minsk, Belarus

(540)



(591) Red, white and beige

(531) 09.01.10; 25.01.06; 25.01.10; 25.01.25; 28.05;
29.01.13

(511)

30 – Cocoa; cocoa products, namely cacao nibs, grated cacao; confectionery; waffles; confectionery

for decorating Christmas trees; pastries; peanut confectionery; almond confectionery; caramels; sweetmeats; liquorice [confectionery]; peppermint sweets; crackers; candy; cocoa beverages with milk; chocolate beverages with milk; chocolate-based beverages; cocoa-based beverages; pastilles [confectionery]; cookies; fondants [confectionery]; pralines; gingerbread; cake powder; sugar confectionery; cakes; tarts; halvah; chocolate.

(260) AM 2020 104691 A

(800) 1484571

(151) 2019 06 17

(891) 2019 06 17

(731) ASKONA-VEK Limited Liability Company
Komsomolskaya str., 116G, building 25,
Kovrov, RU-601900 Vladimir region, Russian
Federation

(540)



(591) Turquoise

(531) 26.01.01; 26.01.06; 26.01.24; 27.05.01; 28.05;
29.01.11

(511)

20 – Furniture, mirrors, picture frames; goods (not included in other classes) of wood, cork, reed, cane, wicker, horn, bone, ivory, whalebone, shell, amber, mother-of-pearl, meerschaum and substitutes for all these materials, or of plastics.

35 – Advertising; business management; business administration; office functions.

(260) AM 2020 104693 A

(800) 1484590

(151) 2019 06 28

(891) 2019 06 28

(731) MB97 LIMITED

PO Box 142, The Beehive Rohais, St Peter
Port, GUERNSEY GY1 3HT, Guernsey

(540)



(591) Yellow, green and blue

(531) 27.05.17; 29.01.13

(511)

36 – Insurance; financial affairs; monetary affairs; real estate affairs.

(260) AM 2020 104701 A

(800) 1484829

(151) 2019 03 01

(891) 2019 03 01

(731) ADIELLE S.R.L.

Via Preazzi 79, I-36010 Zanè VI, Italy

(540)



(591) Black, white

(531) 27.05; 27.05.01; 27.05.23

(511)

6 – Doors, gates, windows and window coverings of metal; doors of metal; aluminium doors; runners of metal for sliding doors; tilting metal doors; doors of metal to be filled with insulating materials; fire resistant doors of metal; folding doors of metal; doors and windows of metal; door panels of metal; metal components for doors; metallic insect screens for doors; door sections of metal; door buffers of metal; outer doors of metal; metal locks for doors; armoured doors of metal; roller doors of metal; revolving doors of metal; door stops of metal; doorplates of metal; non-electric door chimes; aluminium patio doors; door guards of metal; metal door trim; catches (door -) of metal; door handles of metal; door jambs of metal; door hinges of metal; door fittings of metal; ironwork for doors; glazed doors of metal; swing doors of metal; door fasteners of metal; patio door of metal; sliding doors of metal for buildings; hinges for doors and windows (metal-); door knobs of common metal; door closers, non-electric; safety fittings of metal for doors; door bells of metal, non-electric; non-electric metal door bells; doors of metal for buildings; aluminium residential doors; accordion doors of metal; door knockers of metal; metallic frames for sliding doors; latches (metal -) being fittings for doors; metal door viewers [non-magnified]; door openers, non-electric; door bolts of metal.

19 – Doors, gates, windows and window coverings, not of metal; mirrored doors; wooden doors; glass doors; doors, not of metal; vinyl doors; vinyl patio doors; folding doors, not of metal; inner doors, not of metal; accordion doors, not of metal; vinyl sliding doors; wooden door frames; doors made of wood for buildings; sliding doors, not of metal; fireproof doors, not of metal; revolving doors not of metal; insect screens (non-metallic-) for doors; glass in sheet form for use in doors; doors made of plastic for buildings; doors made of glass for buildings; lift-up doors, non-metallic; frames (non-metallic-) for doors; door surrounds (non-metallic-); door panels, not of metal; armoured doors, not of metal; outer doors, not of metal; screen doors, not of metal; swing doors, not of metal; patio doors, not of metal; door, not

of metal, to be filled with insulating materials; transparent doors (non-metallic-) for buildings; safety doors, not of metal; transparent doors of glass for buildings; tiltable doors (non-metallic-) for buildings; glazed doors, not of metal; vertical sliding doors [non-metallic]; frames (non-metallic-) for glazed doors; roller doors (non-metallic-) having insulating properties; security door frames (non-metallic-) for buildings; doors (non-metallic -) for use in garages; garage doors (non-metallic-).

(260) AM 2020 104702 A

(800) 1484885

(151) 2019 07 08

(891) 2019 07 08

(731) Makarov Alexey Valerievich
str. Molodezhnaya, 8, apt. 168, Novosibirsk,
Koltsovo, RU-630559 Novosibirsk region,
Russian Federation

(540)

tomyubar

(591) Black, white

(511)

43 – Café services; restaurant services; self-service restaurant services; snack-bar services; bar services.

(260) AM 2020 104703 A

(800) 1484888

(151) 2019 04 12

(891) 2019 04 12

(731) HENKEL AG & CO. KGAA
Henkelstr. 67, 40589 Düsseldorf,
Germany

(540)



(591) Blue, white, yellow

(531) 01.15.15; 01.15.25; 05.03.13; 05.03.15;
27.05.01; 29.01.12

(511)

3 – Bleaching preparations for laundry use; cleaning substances for laundry use; rinsing agents for laundry use and tableware; dishwashing rinsing agents; stain removing preparations; cleaning, polishing, scouring and abrasive preparations; bleaching preparations for household purposes; cleaning agents for household purposes; spot remover; non-medicated soaps for household use; perfumery; essential oils, essential oils for household use, scented linen sprays,

pomanders (aromatic substances) for laundry purposes, scented oils for laundry purposes, scented sachets for laundry purposes, sachets for perfuming linen, fragrance preparations for laundry purposes, laundry blueing; laundry preparations for attracting dyes; color-removing preparations for laundry purposes; grease-removing preparations for laundry purposes; stain removers for laundry purposes; laundry liquids, laundry glaze for laundry purposes; starch glaze for laundry purposes; smoothing preparations (starching) for laundry purposes; hand washes; adhesive removers for laundry purposes; leather bleaching preparations; cloths impregnated with a detergent for cleaning; soap powder; oils for cleaning purposes for laundry purposes, scented soaps for laundry purposes, washing conservation agents; upholstery cleaners; dry-cleaning preparations for laundry purposes; cleansing gels for laundry purposes; cleaning fluids for laundry purposes; foam detergents for laundry purposes; rust removing preparations for laundry purposes; spray cleaners for use on textiles; rinsing agents for laundry, starch for cleaning purposes; synthetic detergents for clothes; detergent strengtheners; agents for removing wax for laundry purposes; laundry soaking preparations; fabric softener for laundry; laundry balls containing laundry detergent; laundry preparations; washing liquids; detergent soap; laundry additives; impregnated treated synthetic cellulose; non-woven aperture sheets used in washing; crust preventing and crust resolving agents for pipes and apparatus, namely decalcification agents for household purpose; room fragrancing preparations.

4 – Candles and wicks for lighting; scented candles.

5 – Disinfectants, deodorants and deodorising agents, except for human and animals, air refreshing and air deodorising agents; air freshener and air deodorizer sprays; insecticides, insect repellents, insect attractants, adhesives and/ or adhesive strips for catching insects; agents for disruption or inhibition of mating of insects; preparations for destroying vermin; fungicides, herbicides; parasiticides and antiparasitic preparations; carpet deodorizers; carpet deodorizers and odor neutralizing preparation; household deodorizer; odor neutralizing preparations for use on carpets, fabrics, upholstery and in the air; refills for air deodorizing apparatus; room deodorants; room deodorizing compositions.

9 – Downloadable application for mobile devices; computer software embedded on portable phones and/or portable computers that allows users to download electronic programs.

11 – Apparatus for drying, ventilating, water supply and sanitary purposes.

21 – Sponges, brushes (except paint brushes), cleaning clothes, articles for cleaning purposes; hand-operated cleaning articles; dispenser for sanitary

cleaning agents, disinfectants and air freshener; treated synthetic cellulose cleaning cloths used in washing; electric and/ or electronic apparatus, instruments and devices for use in destroying, attracting and killing insects; parts and fittings for all the aforesaid goods; devices for trapping, repelling, capturing or killing insects and vermin; vermin and insect traps or catchers, cockroach traps or catchers; cups, jars or dishes made of paper, plastic or metal for trapping insects.

(260) AM 2020 104777 A

(800) 1485434

(151) 2019 05 31

(891) 2019 05 31

(731) SAILUN GROUP CO., LTD.

No.588, Maoshan Road, Huangdao District,
Qingdao City, Shandong, China

(540)


 The logo for ROADX features the word "ROADX" in a stylized, outlined font. The letters are interconnected, with the 'O' and 'A' being particularly prominent. The 'X' is formed by two intersecting lines that also connect to the 'D'.

(591) Black, white

(531) 27.05.02

(511)

12 – Spikes for tyres; treads for retreading tires; pneumatic tyres; inner tubes for bicycle tyres; solid tyres for vehicle wheels; automobile tires; inner tubes for pneumatic tires; repair outfits for inner tubes; tires for vehicle wheels; casings for pneumatic tyres.

(260) AM 2020 104781 A

(800) 1485671

(151) 2019 04 19

(891) 2019 04 19

(731) "ILYINSKY HOSPITAL" JSC

Vadkovsky lane, 12, of. 20, RU-127055
Moscow, Russian Federation

(540)


 The logo for ILYINSKAYA HOSPITAL consists of the word "ILYINSKAYA" in a blue, sans-serif font above the word "HOSPITAL" in a smaller, blue, sans-serif font. To the right of the text is a blue graphic element composed of four triangles forming a larger square shape.

(591) Blue.

(531) 26.03.04; 29.01.04

(511)

5 – Pharmaceuticals, medical and veterinary preparations; sanitary preparations for medical purposes; dietetic food and substances adapted for medical use, food for babies; dietary supplements for human beings and animals; plasters, materials for dressings; material for dental fillings and dental impressions; alkaloids for medical purposes; alginates for pharmaceutical purposes; algicides; aldehydes for pharmaceutical purposes; dental amalgams of gold; dental amalgams; amino acids for medical purposes; analgesics; anaesthetics; antibiotics; antiseptics; medicine cases, portable, filled; first-aid boxes, filled; aluminium acetate for pharmaceutical purposes;

acetates for pharmaceutical purposes; germicides; balms for medical purposes; bandages for dressings; diagnostic biomarker reagents for medical purposes; biocides; bromine for pharmaceutical purposes; paper for mustard plasters; reagent paper for medical purposes; mothproofing paper; petroleum jelly for medical purposes; vaccines; oxygen baths; antiseptic cotton; aseptic cotton; absorbent cotton; wadding for medical purposes; cotton for medical purposes; dietetic substances adapted for medical use; radiological contrast substances for medical purposes; nutritive substances for microorganisms; radioactive substances for medical purposes; melissa water for pharmaceutical purposes; sea water for medicinal bathing; mineral waters for medical purposes; thermal water; dietary fiber; molding wax for dentists; gases for medical purposes; guaiacol for pharmaceutical purposes; sexual stimulant gels; hematogen; hemoglobin; hydrastine; hydrastinine; glycerine for medical purposes; glycerophosphates; glucose for medical purposes; gentian for pharmaceutical purposes; hormones for medical purposes; mustard for pharmaceutical purposes; mustard plasters; mud for baths; medicinal mud; gamboge for medical purposes; gurjun balsam for medical purposes; air deodorising preparations; deodorants, other than for human beings or for animals; deodorants for clothing and textiles; diastase for medical purposes; digitalin; mineral food supplements; nutritional supplements; albumin dietary supplements; yeast dietary supplements; alginate dietary supplements; glucose dietary supplements; casein dietary supplements; lecithin dietary supplements; linseed oil dietary supplements; propolis dietary supplements; protein dietary supplements; protein supplements for animals; royal jelly dietary supplements; pollen dietary supplements; wheat germ dietary supplements; linseed dietary supplements; enzyme dietary supplements; yeast for pharmaceutical purposes; gelatine for medical purposes; cod liver oil; isotopes for medical purposes; immunostimulants; insecticides; iodine for pharmaceutical purposes; iodides for pharmaceutical purposes; alkaline iodides for pharmaceutical purposes; iodoform; calomel [fungicide]; tartar for pharmaceutical purposes; camphor for medical purposes; capsules for medicines; cachets for pharmaceutical purposes; hemostatic pencils; wart pencils; caustic pencils; carbolineum [parasiticide]; caustics for pharmaceutical purposes; cachou for pharmaceutical purposes; quassia for medical purposes; quebracho for medical purposes; oxygen for medical purposes; gallic acid for pharmaceutical purposes; acids for pharmaceutical purposes; adhesives for dentures; surgical glues; stem cells for medical purposes; cocaine; collagen for medical purposes; collodion for pharmaceutical purposes; corn rings for the feet; candy, medicated; barks for pharmaceutical purposes; cedar wood for use as an insect repellent; croton bark; mangrove bark for pharmaceutical purposes; myro-

balan bark for pharmaceutical purposes; quinquina for medical purposes; medicinal roots; rhubarb roots for pharmaceutical purposes; lint for medical purposes; starch for dietetic or pharmaceutical purposes; creosote for pharmaceutical purposes; blood for medical purposes; cultures of microorganisms for medical or veterinary use; curare; dental lacquer; liquorice for pharmaceutical purposes; lactose for pharmaceutical purposes; candy for medical purposes; adhesive plasters; medicines for alleviating constipation; lecithin for medical purposes; medicated hair lotions; lotions for pharmaceutical purposes; medicated after-shave lotions; personal sexual lubricants; lupulin for pharmaceutical purposes; magnesia for pharmaceutical purposes; liniments; ointments for pharmaceutical purposes; sunburn ointments; mercurial ointments; frostbite salve for pharmaceutical purposes; gauze for dressings; medicinal oils; mustard oil for medical purposes; camphor oil for medical purposes; castor oil for medical purposes; oil of turpentine for pharmaceutical purposes; dill oil for medical purposes; dental mastics; dental abrasives; dental impression materials; teeth filling material; dressings, medical; surgical dressings; drugs for medical purposes; serotherapeutic medicines; medicines for human purposes; medicines for dental purposes; menthol; medicinal drinks; moleskin for medical purposes; almond milk for pharmaceutical purposes; powdered milk for babies; royal jelly for pharmaceutical purposes; milk ferments for pharmaceutical purposes; Irish moss for medical purposes; flour for pharmaceutical purposes; linseed meal for pharmaceutical purposes; fish meal for pharmaceutical purposes; antibacterial soap; disinfectant soap; medicated soap; mint for pharmaceutical purposes; dietetic beverages adapted for medical purposes; malted milk beverages for medical purposes; narcotics; medicinal infusions; tincture of iodine; eucalyptol for pharmaceutical purposes; tinctures for medical purposes; opium; opodeldoc; decoctions for pharmaceutical purposes; stick liquorice for pharmaceutical purposes; sulfur sticks [disinfectants]; pastilles for pharmaceutical purposes; medicated dentifrices; pectin for pharmaceutical purposes; pepsins for pharmaceutical purposes; peptones for pharmaceutical purposes; hydrogen peroxide for medical purposes; pesticides; food for babies; leeches for medical purposes; blood plasma; eyepatches for medical purposes; poultices; compresses; scapulars for surgical purposes; diapers for pets; diapers for incontinence; bunion pads; breast-nursing pads; pomades for medical purposes; powder of cantharides; pyrethrum powder; anti-uric preparations; bacterial preparations for medical and veterinary use; bacteriological preparations for medical and veterinary use; balsamic preparations for medical purposes; albuminous preparations for medical purposes; biological preparations for medical purposes; bismuth preparations for pharmaceutical purposes; vitamin preparations; diagnos-

tic preparations for medical purposes; bath preparations for medical purposes; therapeutic preparations for the bath; hemorrhoid preparations; preparations for callouses; lice treatment preparations [pediculicides]; acne treatment preparations; preparations to facilitate teething; preparations for the treatment of burns; fumigation preparations for medical purposes; ootherapy preparations; air purifying preparations; bronchodilating preparations; preparations for reducing sexual activity; sterilising preparations; corn remedies; pharmaceutical preparations for treating dandruff; pharmaceutical preparations for skin care; contact lens cleaning preparations; preparations of microorganisms for medical use; lime-based pharmaceutical preparations; medicated eye-washes; medicinal hair growth preparations; nutraceutical preparations for therapeutic or medical purposes; opiates; anticryptogamic preparations; aloe vera preparations for pharmaceutical purposes; preparations of trace elements for human and animal use; sulfonamides [medicines]; pharmaceutical preparations; pharmaceutical preparations for treating sunburn; enzyme preparations for medical purposes; phytotherapy preparations for medical purposes; chemico-pharmaceutical preparations; chemical preparations for the diagnosis of pregnancy; chemical preparations for medical purposes; chemical preparations for pharmaceutical purposes; chilblain preparations; collyrium; lead water; chemical conductors for electrocardiograph electrodes; albuminous foodstuffs for medical purposes; dietetic foods adapted for medical purposes; by-products of the processing of cereals for dietetic or medical purposes; homogenized food adapted for medical purposes; freeze-dried food adapted for medical purposes; pharmaceuticals; sanitary towels; panty liners [sanitary]; propolis for pharmaceutical purposes; pearl powder for medical purposes; radium for medical purposes; hydrated chloral for pharmaceutical purposes; solvents for removing adhesive plasters; vaginal washes for medical purposes; solutions for contact lenses; chemical reagents for medical purposes; gum for medical purposes; rubber for dental purposes; chewing gum for medical purposes; insect repellents; tissues impregnated with pharmaceutical lotions; sarsaparilla for medical purposes; sugar for medical purposes; asthmatic tea; fumigating sticks; linseed for pharmaceutical purposes; tobacco-free cigarettes for medical purposes; siccatives [drying agents] for medical purposes; syrups for pharmaceutical purposes; turpentine for pharmaceutical purposes; greases for medical purposes; lacteal flour for babies; infant formula; soporifics; bicarbonate of soda for pharmaceutical purposes; bath salts for medical purposes; salts for mineral water baths; salts for medical purposes; potassium salts for medical purposes; sodium salts for medical purposes; smelling salts; mineral water salts; malt for pharmaceutical purposes; semen for artificial insemination; alcohol for pharmaceutical purposes;

medicinal alcohol; alloys of precious metals for dental purposes; ergot for pharmaceutical purposes; cooling sprays for medical purposes; antibacterial hand-washes; adjuvants for medical purposes; astringents for medical purposes; vermifuges; disinfectants for hygiene purposes; douching preparations for medical purposes; appetite suppressants for medical purposes; medical preparations for slimming purposes; mouthwashes for medical purposes; febrifuges; depuratives; detergents for medical purposes; vesicants; purgatives; remedies for perspiration; remedies for foot perspiration; chemical contraceptives; antiparasitic preparations; laxatives; tonics [medicines]; medicated toiletry preparations; digestives for pharmaceutical purposes; nervines; media for bacteriological cultures; steroids; strychnine; serums; appetite suppressant pills; slimming pills; antioxidant pills; sanitary tampons; vulnerary sponges; thymol for pharmaceutical purposes; biological tissue cultures for veterinary purposes; biological tissue cultures for medical purposes; smoking herbs for medical purposes; medicinal herbs; surgical implants comprised of living tissues; pants, absorbent, for incontinence; sanitary panties; charcoal for pharmaceutical purposes; porcelain for dental prostheses; phenol for pharmaceutical purposes; enzymes for medical purposes; ferments for pharmaceutical purposes; formic aldehyde for pharmaceutical purposes; phosphates for pharmaceutical purposes; fungicides; quinine for medical purposes; chinoline for medical purposes; diabetic bread adapted for medical use; chloroform; flowers of sulfur for pharmaceutical purposes; bone cement for surgical and orthopaedic purposes; dental cements; medicinal tea; herbal teas for medicinal purposes; medicated shampoos; pediculicidal shampoos; medicated dry shampoos; pre-filled syringes for medical purposes; eucalyptus for pharmaceutical purposes; herbal extracts for medical purposes; plant extracts for pharmaceutical purposes; tobacco extracts [insecticides]; extracts of hops for pharmaceutical purposes; elixirs [pharmaceutical preparations]; ethers for pharmaceutical purposes; esters for pharmaceutical purposes; cellulose esters for pharmaceutical purposes; cellulose ethers for pharmaceutical purposes; poisons; bacterial poisons; jalap; bismuth subnitrate for pharmaceutical purposes; disinfectants; cream of tartar for pharmaceutical purposes; angostura bark for medical purposes; condurango bark for medical purposes; adhesive tapes for medical purposes; cotton sticks for medical purposes; babies' diapers; styptic pencils; suppositories; sedatives; jujube, medicated; transplants [living tissues]; disposable training pants for infants; fennel for medical purposes.

10 – Surgical, medical, dental and veterinary apparatus and instruments; artificial limbs, eyes and teeth; suture materials; therapeutic and assistive devices adapted for the disabled; massage apparatus; apparatus, devices and articles for nursing infants; blood

testing apparatus; anaesthetic apparatus; galvanic therapeutic appliances; apparatus for artificial respiration; apparatus for the treatment of deafness; physical exercise apparatus for medical purposes; body rehabilitation apparatus for medical purposes; dental apparatus and instruments; surgical apparatus and instruments; resuscitation apparatus; dental apparatus, electric; physiotherapy apparatus; bed vibrators; hot air therapeutic apparatus; diagnostic apparatus for medical purposes; traction apparatus for medical purposes; radiotherapy apparatus; microdermabrasion apparatus; fumigation apparatus for medical purposes; apparatus for the regeneration of stem cells for medical purposes; apparatus for DNA and RNA testing for medical purposes; apparatus and installations for the production of X-rays, for medical purposes; magnetic resonance imaging [MRI] apparatus for medical purposes; radiological apparatus for medical purposes; X-ray apparatus for medical purposes; hearing aids; nasal aspirators; trusses; maternity belts; bandages, elastic; cupping glasses; dental burs; bracelets for medical purposes; anti-nausea wristbands; anti-rheumatism bracelets; feeding bottles; vaporizers for medical purposes; hot air vibrators for medical purposes; vibromassage apparatus; gastroscopes; hemocytometers; lice combs; surgical sponges; defibrillators; dialyzers; containers especially made for medical waste; clips, surgical; mirrors for dentists; mirrors for surgeons; probes for medical purposes; urethral probes; artificial teeth; acupuncture needles; suture needles; needles for medical purposes; orthopedic articles; surgical implants comprised of artificial materials; inhalers; hydrogen inhalers; injectors for medical purposes; incubators for medical purposes; incubators for babies; obstetric apparatus; obstetric apparatus for cattle; electric acupuncture instruments; surgical cutlery; insufflators; endoscopy cameras for medical purposes; cannulae; droppers for medical purposes; dropper bottles for medical purposes; heart pacemakers; heart rate monitoring apparatus; catheters; catgut; draw-sheets for sick beds; enema apparatus for medical purposes; artificial skin for surgical purposes; menstrual cups; teething rings; anti-rheumatism rings; compressors [surgical]; thermo-electric compresses [surgery]; abdominal corsets; corsets for medical purposes; crutches; dentists' armchairs; armchairs for medical or dental purposes; beds specially made for medical purposes; feeding bottle valves; love dolls [sex dolls]; lasers for medical purposes; lamps for medical purposes; quartz lamps for medical purposes; ultraviolet ray lamps for medical purposes; lancets; lenses [intraocular prostheses] for surgical implantation; spoons for administering medicine; masks for use by medical personnel; respiratory masks for artificial respiration; anaesthetic masks; childbirth mattresses; air mattresses for medical purposes; furniture especially made for medical purposes; water bags for medical purposes;

douche bags; breast pumps; body fat monitors; body composition monitors; portable hand-held urinals; teeth protectors for dental purposes; temperature indicator labels for medical purposes; knee bandages, orthopaedic; tips for crutches; finger guards for medical purposes; medical guidewires; pumps for medical purposes; thread, surgical; knives for surgical purposes; scissors for surgery; ambulance stretchers; stretchers, wheeled; boots for medical purposes; orthopaedic footwear; clothing especially for operating rooms; compression garments; blankets, electric, for medical purposes; supports for flat feet; ophthalmometers; ophthalmoscopes; cooling pads for first aid purposes; slings [supporting bandages]; gloves for massage; gloves for medical purposes; pessaries; saws for surgical purposes; ear picks; cooling patches for medical purposes; spittoons for medical purposes; plaster bandages for orthopaedic purposes; supportive bandages; suspensory bandages; abdominal pads; cushions for medical purposes; pads for preventing pressure sores on patient bodies; air pillows for medical purposes; soporific pillows for insomnia; heating cushions, electric, for medical purposes; abdominal belts; galvanic belts for medical purposes; hypogastric belts; belts for medical purposes; orthopaedic belts; umbilical belts; belts, electric, for medical purposes; condoms; aerosol dispensers for medical purposes; sphygmomanometers; pulse meters; esthetic massage apparatus; veterinary apparatus and instruments; medical apparatus and instruments; urological apparatus and instruments; orthodontic appliances; apparatus, devices and articles for nursing infants; brushes for cleaning body cavities; invalids' hoists; appliances for washing body cavities; corn knives; incontinence sheets; sterile sheets, surgical; surgical drapes; hair prostheses; artificial eyes; artificial breasts; dentures; artificial limbs; artificial jaws; ice bags for medical purposes; toe separators for orthopaedic purposes; orthodontic rubber bands; X-ray photographs for medical purposes; respirators for artificial respiration; surgical robots; strait jackets; sex toys; scalpels; tongue scrapers; dummies for babies; feeding bottle teats; baby feeding dummies; receptacles for applying medicines; spirometers [medical apparatus]; vaginal syringes; implantable subcutaneous drug delivery devices; hearing protectors; contraceptives, non-chemical; orthopaedic soles; stents; stethoscopes; operating tables; commode chairs; basins for medical purposes; bed pans; instrument cases for use by doctors; arch supports for footwear; ear plugs [ear protection devices]; thermometers for medical purposes; tomographs for medical purposes; trocars; walking sticks for medical purposes; drainage tubes for medical purposes; X-ray tubes for medical purposes; radium tubes for medical purposes; balling guns; protection devices against X-rays, for medical purposes; apparatus for acne treatment; filters for ultraviolet rays, for medical purposes; wheeled walkers to aid mobi-

lity; walking frames for disabled persons; cases fitted for medical instruments; elastic stockings for surgical purposes; stockings for varices; splints, surgical; tongue depressors for medical purposes; syringes for injections; syringes for medical purposes; hypodermic syringes; uterine syringes; urethral syringes; pins for artificial teeth; forceps; castrating pincers; radiology screens for medical purposes; electrodes for medical use; electrocardiographs; brain pacemakers; sexual activity apparatus, devices and articles; analysers for bacterial identification for medical purposes; testing apparatus for medical purposes; air cushions for medical purposes; biodegradable bone fixation implants; support mattresses for medical purposes; urinals being vessels; surgical bougies; ear trumpets; thermal packs for first aid purposes; quad canes for medical purposes.

35 – Advertising; import-export agency services; commercial information agency services; advertising agency services; business intermediary services relating to the matching of potential private investors with entrepreneurs needing funding; computerized file management; book-keeping; invoicing; demonstration of goods; transcription of communications [office functions]; opinion polling; market studies; business information; commercial information and advice for consumers in the choice of products and services; business investigations; business research; marketing research; personnel recruitment; business management and organization consultancy; business organization consultancy; business management consultancy; personnel management consultancy; professional business consultancy; consultancy regarding advertising communication strategies; layout services for advertising purposes; marketing; business management of performing artists; business management of sports people; scriptwriting for advertising purposes; news clipping services; updating and maintenance of information in registries; updating and maintenance of data in computer databases; updating of advertising material; word processing; organization of exhibitions for commercial or advertising purposes; arranging newspaper subscriptions for others; organization of trade fairs for commercial or advertising purposes; shop window dressing; design of advertising materials; business appraisals; payroll preparation; data search in computer files for others; sponsorship search; business management assistance; commercial or industrial management assistance; providing business information via a web site; provision of commercial and business contact information; web indexing for commercial or advertising purposes; economic forecasting; auctioneering; production of teleshopping programmes; production of advertising films; office machines and equipment rental; rental of advertising time on communication media; publicity material rental; rental of billboards [advertising boards]; rental of vending machines; rental of photocopying machines; publica-

tion of publicity texts; radio advertising; distribution of samples; dissemination of advertising matter; direct mail advertising; registration of written communications and data; writing of publicity texts; on-line advertising on a computer network; advertising by mail order; television advertising; document reproduction; compilation of statistics; compilation of information into computer databases; business inquiries; systemization of information into computer databases; advisory services for business management; negotiation of business contracts for others; negotiation and conclusion of commercial transactions for third parties; compiling indexes of information for commercial or advertising purposes; tax preparation; drawing up of statements of accounts; telemarketing services; psychological testing for the selection of personnel; wholesale services for pharmaceutical and sanitary preparations and medical supplies; retail services for pharmaceutical and sanitary preparations and medical supplies; business management for freelance service providers; commercial administration of the licensing of the goods and services of others; administration of consumer loyalty programs; administrative processing of purchase orders; public relations; modelling for advertising or sales promotion; typing; appointment reminder services [office functions]; web site traffic optimization; relocation services for businesses; tax filing services; search engine optimization for sales promotion; appointment scheduling services [office functions]; price comparison services; secretarial services; procurement services for others [purchasing goods and services for other businesses]; shorthand; outsourcing services [business assistance]; telephone answering for unavailable subscribers; photocopying services; business efficiency expert services; consultancy regarding public relations communication strategies; commercial intermediation services; provision of an online marketplace for buyers and sellers of goods and services; presentation of goods on communication media, for retail purposes; rental of sales stands; bill-posting; pay per click advertising.

42 – Scientific and technological services and research and design relating thereto; industrial analysis and industrial research services; computer system analysis; chemical analysis; recovery of computer data; graphic arts design; computer virus protection services; engineering; installation of computer software; meteorological information; clinical trials; material testing; bacteriological research; biological research; chemical research; research and development of new products for others; scientific research; technical research; calibration [measuring]; computer security consultancy; information technology [IT] consultancy; consultancy in the design and development of computer hardware; Internet security consultancy; computer software consultancy; data security consultancy; technological consultancy;

quality control; updating of computer software; monitoring of computer systems to detect breakdowns; monitoring of computer systems for detecting unauthorized access or data breach; monitoring of computer systems by remote access; software as a service [SaaS]; maintenance of computer software; digitization of documents [scanning]; conversion of data or documents from physical to electronic media; providing information on computer technology and programming via a web site; providing search engines for the Internet; conversion of computer programs and data, other than physical conversion; conducting technical project studies; computer system design; rental of web servers; computer rental; rental of computer software; hosting computer sites [web sites]; server hosting; computer software design; creating and designing website-based indexes of information for others [information technology services]; creating and maintaining web sites for others; computer programming; technical writing; copying of computer programs; cloud computing; chemistry services; outsource service providers in the field of information technology; off-site data backup; computer technology consultancy; telecommunications technology consultancy; scientific laboratory services; data encryption services; electronic data storage; surveying; electronic monitoring of personally identifying information to detect identity theft via the Internet; design and development of computer hardware and software; research in the field of physics.

44 – Medical services; hospital services; reforestation services; rehabilitation for substance abuse patients; nursing home services; hair implantation; medical advice for individuals with disabilities; pharmacy advice; chiropractic; massage; orthodontology; artificial insemination services; palliative care; midwife services; medical assistance; preparation of prescriptions by pharmacists; medical equipment rental; rental of sanitary installations; sanatorium services; blood bank services; health care; health counselling; health spa services; human tissue bank services; convalescent home services; rest home services; medical clinic services; alternative medicine services; opticians' services; services of a psychologist; telemedicine services; therapy services; nursing, medical; physical therapy; plastic surgery; depilatory waxing; health center services; aromatherapy services; speech therapy; orthodontic services; dentistry services; in vitro fertilization services.

(260) AM 2020 104782 A

(800) 1485685

(151) 2019 04 19

(891) 2019 04 19

(731) "ILYINSKY HOSPITAL" JSC

Vadkovsky lane, 12, of. 20, RU-127055
Moscow, Russian Federation

(540)



(591) Blue

(531) 26.03.04; 28.05; 29.01.04

(511)

5 – Pharmaceuticals, medical and veterinary preparations; sanitary preparations for medical purposes; dietetic food and substances adapted for medical use, food for babies; dietary supplements for human beings and animals; plasters, materials for dressings; material for dental fillings and dental impressions; alkaloids for medical purposes; alginates for pharmaceutical purposes; algicides; aldehydes for pharmaceutical purposes; dental amalgams of gold; dental amalgams; amino acids for medical purposes; analgesics; anaesthetics; antibiotics; antiseptics; medicine cases, portable, filled; first-aid boxes, filled; aluminium acetate for pharmaceutical purposes; acetates for pharmaceutical purposes; germicides; balms for medical purposes; bandages for dressings; diagnostic biomarker reagents for medical purposes; biocides; bromine for pharmaceutical purposes; paper for mustard plasters; reagent paper for medical purposes; mothproofing paper; petroleum jelly for medical purposes; vaccines; oxygen baths; antiseptic cotton; aseptic cotton; absorbent cotton; wadding for medical purposes; cotton for medical purposes; dietetic substances adapted for medical use; radiological contrast substances for medical purposes; nutritive substances for microorganisms; radioactive substances for medical purposes; melissa water for pharmaceutical purposes; sea water for medicinal bathing; mineral waters for medical purposes; thermal water; dietary fiber; molding wax for dentists; gases for medical purposes; guaiacol for pharmaceutical purposes; sexual stimulant gels; hematogen; hemoglobin; hydrastine; hydrastinine; glycerine for medical purposes; glycerophosphates; glucose for medical purposes; gentian for pharmaceutical purposes; hormones for medical purposes; mustard for pharmaceutical purposes; mustard plasters; mud for baths; medicinal mud; gamboge for medical purposes; gurgun balsam for medical purposes; air deodorising preparations; deodorants, other than for human beings or for animals; deodorants for clothing and textiles; diastase for medical purposes; digitalin; mineral food supplements; nutritional supplements; albumin dietary supplements; yeast dietary supplements; alginate dietary supplements; glucose dietary supplements; casein dietary supplements; lecithin dietary supplements; linseed oil dietary supplements; propolis dietary supplements; protein dietary supplements; protein supplements for animals; royal jelly dietary supplements; pollen dietary supplements; wheat germ dietary supplements; linseed dietary supplements; enzyme dietary supplements; yeast for pharmaceutical purposes; gelatine for medical purposes;

poses; cod liver oil; isotopes for medical purposes; immunostimulants; insecticides; iodine for pharmaceutical purposes; iodides for pharmaceutical purposes; alkaline iodides for pharmaceutical purposes; iodoform; calomel [fungicide]; tartar for pharmaceutical purposes; camphor for medical purposes; capsules for medicines; cachets for pharmaceutical purposes; hemostatic pencils; wart pencils; caustic pencils; carbolineum [parasiticide]; caustics for pharmaceutical purposes; cachou for pharmaceutical purposes; quassia for medical purposes; quebracho for medical purposes; oxygen for medical purposes; gallic acid for pharmaceutical purposes; acids for pharmaceutical purposes; adhesives for dentures; surgical glues; stem cells for medical purposes; cocaine; collagen for medical purposes; collodion for pharmaceutical purposes; corn rings for the feet; candy, medicated; barks for pharmaceutical purposes; cedar wood for use as an insect repellent; croton bark; mangrove bark for pharmaceutical purposes; myrobalan bark for pharmaceutical purposes; quinquina for medical purposes; medicinal roots; rhubarb roots for pharmaceutical purposes; lint for medical purposes; starch for dietetic or pharmaceutical purposes; creosote for pharmaceutical purposes; blood for medical purposes; cultures of microorganisms for medical or veterinary use; curare; dental lacquer; liquorice for pharmaceutical purposes; lactose for pharmaceutical purposes; candy for medical purposes; adhesive plasters; medicines for alleviating constipation; lecithin for medical purposes; medicated hair lotions; lotions for pharmaceutical purposes; medicated after-shave lotions; personal sexual lubricants; lupulin for pharmaceutical purposes; magnesia for pharmaceutical purposes; liniments; ointments for pharmaceutical purposes; sunburn ointments; mercurial ointments; frostbite salve for pharmaceutical purposes; gauze for dressings; medicinal oils; mustard oil for medical purposes; camphor oil for medical purposes; castor oil for medical purposes; oil of turpentine for pharmaceutical purposes; dill oil for medical purposes; dental mastics; dental abrasives; dental impression materials; teeth filling material; dressings, medical; surgical dressings; drugs for medical purposes; serotherapeutic medicines; medicines for human purposes; medicines for dental purposes; menthol; medicinal drinks; moleskin for medical purposes; almond milk for pharmaceutical purposes; powdered milk for babies; royal jelly for pharmaceutical purposes; milk ferments for pharmaceutical purposes; Irish moss for medical purposes; flour for pharmaceutical purposes; linseed meal for pharmaceutical purposes; fish meal for pharmaceutical purposes; antibacterial soap; disinfectant soap; medicated soap; mint for pharmaceutical purposes; dietetic beverages adapted for medical purposes; malted milk beverages for medical purposes; narcotics; medicinal infusions; tincture of iodine; eucalyptol for pharmaceutical purposes; tinctures for medical purposes;

poses; opium; opodeldoc; decoctions for pharmaceutical purposes; stick liquorice for pharmaceutical purposes; sulfur sticks [disinfectants]; pastilles for pharmaceutical purposes; medicated dentifrices; pectin for pharmaceutical purposes; pepsins for pharmaceutical purposes; peptones for pharmaceutical purposes; hydrogen peroxide for medical purposes; pesticides; food for babies; leeches for medical purposes; blood plasma; eyepatches for medical purposes; poultices; compresses; scapulars for surgical purposes; diapers for pets; diapers for incontinence; bunion pads; breast-nursing pads; pomades for medical purposes; powder of cantharides; pyrethrum powder; anti-uric preparations; bacterial preparations for medical and veterinary use; bacteriological preparations for medical and veterinary use; balsamic preparations for medical purposes; albuminous preparations for medical purposes; biological preparations for medical purposes; bismuth preparations for pharmaceutical purposes; vitamin preparations; diagnostic preparations for medical purposes; bath preparations for medical purposes; therapeutic preparations for the bath; hemorrhoid preparations; preparations for callouses; lice treatment preparations [pediculicides]; acne treatment preparations; preparations to facilitate teething; preparations for the treatment of burns; fumigation preparations for medical purposes; ootherapy preparations; air purifying preparations; bronchodilating preparations; preparations for reducing sexual activity; sterilising preparations; corn remedies; pharmaceutical preparations for treating dandruff; pharmaceutical preparations for skin care; contact lens cleaning preparations; preparations of microorganisms for medical use; lime-based pharmaceutical preparations; medicated eye-washes; medicinal hair growth preparations; nutraceutical preparations for therapeutic or medical purposes; opiates; anticryptogamic preparations; aloe vera preparations for pharmaceutical purposes; preparations of trace elements for human and animal use; sulfonamides [medicines]; pharmaceutical preparations; pharmaceutical preparations for treating sunburn; enzyme preparations for medical purposes; phytotherapy preparations for medical purposes; chemico-pharmaceutical preparations; chemical preparations for the diagnosis of pregnancy; chemical preparations for medical purposes; chemical preparations for pharmaceutical purposes; chilblain preparations; collyrium; lead water; chemical conductors for electrocardiograph electrodes; albuminous foodstuffs for medical purposes; dietetic foods adapted for medical purposes; by-products of the processing of cereals for dietetic or medical purposes; homogenized food adapted for medical purposes; freeze-dried food adapted for medical purposes; pharmaceuticals; sanitary towels; panty liners [sanitary]; propolis for pharmaceutical purposes; pearl powder for medical purposes; radium for medical purposes; hydrated chloral for pharmaceutical purposes; solvents for re-

moving adhesive plasters; vaginal washes for medical purposes; solutions for contact lenses; chemical reagents for medical purposes; gum for medical purposes; rubber for dental purposes; chewing gum for medical purposes; insect repellents; tissues impregnated with pharmaceutical lotions; sarsaparilla for medical purposes; sugar for medical purposes; asthmatic tea; fumigating sticks; linseed for pharmaceutical purposes; tobacco-free cigarettes for medical purposes; siccatives [drying agents] for medical purposes; syrups for pharmaceutical purposes; turpentine for pharmaceutical purposes; greases for medical purposes; lacteal flour for babies; infant formula; soporifics; bicarbonate of soda for pharmaceutical purposes; bath salts for medical purposes; salts for mineral water baths; salts for medical purposes; potassium salts for medical purposes; sodium salts for medical purposes; smelling salts; mineral water salts; malt for pharmaceutical purposes; semen for artificial insemination; alcohol for pharmaceutical purposes; medicinal alcohol; alloys of precious metals for dental purposes; ergot for pharmaceutical purposes; cooling sprays for medical purposes; anti-bacterial handwashes; adjuvants for medical purposes; astringents for medical purposes; vermifuges; disinfectants for hygiene purposes; douching preparations for medical purposes; appetite suppressants for medical purposes; medical preparations for slimming purposes; mouthwashes for medical purposes; febrifuges; depuratives; detergents for medical purposes; vesicants; purgatives; remedies for perspiration; remedies for foot perspiration; chemical contraceptives; antiparasitic preparations; laxatives; tonics [medicines]; medicated toiletry preparations; digestives for pharmaceutical purposes; nervines; media for bacteriological cultures; steroids; strychnine; serums; appetite suppressant pills; slimming pills; antioxidant pills; sanitary tampons; vulnery sponges; thymol for pharmaceutical purposes; biological tissue cultures for veterinary purposes; biological tissue cultures for medical purposes; smoking herbs for medical purposes; medicinal herbs; surgical implants comprised of living tissues; pants, absorbent, for incontinence; sanitary panties; charcoal for pharmaceutical purposes; porcelain for dental prostheses; phenol for pharmaceutical purposes; enzymes for medical purposes; ferments for pharmaceutical purposes; formic aldehyde for pharmaceutical purposes; phosphates for pharmaceutical purposes; fungicides; quinine for medical purposes; chinoline for medical purposes; diabetic bread adapted for medical use; chloroform; flowers of sulfur for pharmaceutical purposes; bone cement for surgical and orthopaedic purposes; dental cements; medicinal tea; herbal teas for medicinal purposes; medicated shampoos; pediculicidal shampoos; medicated dry shampoos; pre-filled syringes for medical purposes; eucalyptus for pharmaceutical purposes; herbal extracts for medical purposes; plant extracts for pharmaceu-

tical purposes; tobacco extracts [insecticides]; extracts of hops for pharmaceutical purposes; elixirs [pharmaceutical preparations]; ethers for pharmaceutical purposes; esters for pharmaceutical purposes; cellulose esters for pharmaceutical purposes; cellulose ethers for pharmaceutical purposes; poisons; bacterial poisons; jalap; bismuth subnitrate for pharmaceutical purposes; disinfectants; cream of tartar for pharmaceutical purposes; angostura bark for medical purposes; condurango bark for medical purposes; adhesive tapes for medical purposes; cotton sticks for medical purposes; babies' diapers; styptic pencils; suppositories; sedatives; jujube, medicated; transplants [living tissues]; disposable training pants for infants; fennel for medical purposes.

10 – Surgical, medical, dental and veterinary apparatus and instruments; artificial limbs, eyes and teeth; suture materials; therapeutic and assistive devices adapted for the disabled; massage apparatus; apparatus, devices and articles for nursing infants; blood testing apparatus; anaesthetic apparatus; galvanic therapeutic appliances; apparatus for artificial respiration; apparatus for the treatment of deafness; physical exercise apparatus for medical purposes; body rehabilitation apparatus for medical purposes; dental apparatus and instruments; surgical apparatus and instruments; resuscitation apparatus; dental apparatus, electric; physiotherapy apparatus; bed vibrators; hot air therapeutic apparatus; diagnostic apparatus for medical purposes; traction apparatus for medical purposes; radiotherapy apparatus; microdermabrasion apparatus; fumigation apparatus for medical purposes; apparatus for the regeneration of stem cells for medical purposes; apparatus for DNA and RNA testing for medical purposes; apparatus and installations for the production of X-rays, for medical purposes; magnetic resonance imaging [MRI] apparatus for medical purposes; radiological apparatus for medical purposes; X-ray apparatus for medical purposes; hearing aids; nasal aspirators; trusses; maternity belts; bandages, elastic; cupping glasses; dental burs; bracelets for medical purposes; anti-nausea wristbands; anti-rheumatism bracelets; feeding bottles; vaporizers for medical purposes; hot air vibrators for medical purposes; vibromassage apparatus; gastroscopes; hemocytometers; lice combs; surgical sponges; defibrillators; dialyzers; containers especially made for medical waste; clips, surgical; mirrors for dentists; mirrors for surgeons; probes for medical purposes; urethral probes; artificial teeth; acupuncture needles; suture needles; needles for medical purposes; orthopedic articles; surgical implants comprised of artificial materials; inhalers; hydrogen inhalers; injectors for medical purposes; incubators for medical purposes; incubators for babies; obstetric apparatus; obstetric apparatus for cattle; electric acupuncture instruments; surgical cutlery; insufflators; endoscopy cameras for medical purposes; cannulae; droppers for medical purposes; dropper bot-

les for medical purposes; heart pacemakers; heart rate monitoring apparatus; catheters; catgut; draw-sheets for sick beds; enema apparatus for medical purposes; artificial skin for surgical purposes; menstrual cups; teething rings; anti-rheumatism rings; compressors [surgical]; thermo-electric compresses [surgery]; abdominal corsets; corsets for medical purposes; crutches; dentists' armchairs; armchairs for medical or dental purposes; beds specially made for medical purposes; feeding bottle valves; love dolls [sex dolls]; lasers for medical purposes; lamps for medical purposes; quartz lamps for medical purposes; ultraviolet ray lamps for medical purposes; lancets; lenses [intraocular prostheses] for surgical implantation; spoons for administering medicine; masks for use by medical personnel; respiratory masks for artificial respiration; anaesthetic masks; childbirth mattresses; air mattresses for medical purposes; furniture especially made for medical purposes; water bags for medical purposes; douche bags; breast pumps; body fat monitors; body composition monitors; portable hand-held urinals; teeth protectors for dental purposes; temperature indicator labels for medical purposes; knee bandages, orthopaedic; tips for crutches; finger guards for medical purposes; medical guidewires; pumps for medical purposes; thread, surgical; knives for surgical purposes; scissors for surgery; ambulance stretchers; stretchers, wheeled; boots for medical purposes; orthopaedic footwear; clothing especially for operating rooms; compression garments; blankets, electric, for medical purposes; supports for flat feet; ophthalmometers; ophthalmoscopes; cooling pads for first aid purposes; slings [supporting bandages]; gloves for massage; gloves for medical purposes; pessaries; saws for surgical purposes; ear picks; cooling patches for medical purposes; spittoons for medical purposes; plaster bandages for orthopaedic purposes; supportive bandages; suspensory bandages; abdominal pads; cushions for medical purposes; pads for preventing pressure sores on patient bodies; air pillows for medical purposes; soporific pillows for insomnia; heating cushions, electric, for medical purposes; abdominal belts; galvanic belts for medical purposes; hypogastric belts; belts for medical purposes; orthopaedic belts; umbilical belts; belts, electric, for medical purposes; condoms; aerosol dispensers for medical purposes; sphygmomanometers; pulse meters; esthetic massage apparatus; veterinary apparatus and instruments; medical apparatus and instruments; urological apparatus and instruments; orthodontic appliances; apparatus, devices and articles for nursing infants; brushes for cleaning body cavities; invalids' hoists; appliances for washing body cavities; corn knives; incontinence sheets; sterile sheets, surgical; surgical drapes; hair prostheses; artificial eyes; artificial breasts; dentures; artificial limbs; artificial jaws; ice bags for medical purposes; toe separators for orthopaedic purposes; orthodontic rubber bands;

X-ray photographs for medical purposes; respirators for artificial respiration; surgical robots; strait jackets; sex toys; scalpels; tongue scrapers; dummies for babies; feeding bottle teats; baby feeding dummies; receptacles for applying medicines; spirometers [medical apparatus]; vaginal syringes; implantable subcutaneous drug delivery devices; hearing protectors; contraceptives, non-chemical; orthopaedic soles; stents; stethoscopes; operating tables; commode chairs; basins for medical purposes; bed pans; instrument cases for use by doctors; arch supports for footwear; ear plugs [ear protection devices]; thermometers for medical purposes; tomographs for medical purposes; trocars; walking sticks for medical purposes; drainage tubes for medical purposes; X-ray tubes for medical purposes; radium tubes for medical purposes; balling guns; protection devices against X-rays, for medical purposes; apparatus for acne treatment; filters for ultraviolet rays, for medical purposes; wheeled walkers to aid mobility; walking frames for disabled persons; cases fitted for medical instruments; elastic stockings for surgical purposes; stockings for varices; splints, surgical; tongue depressors for medical purposes; syringes for injections; syringes for medical purposes; hypodermic syringes; uterine syringes; urethral syringes; pins for artificial teeth; forceps; castrating pincers; radiology screens for medical purposes; electrodes for medical use; electrocardiographs; brain pacemakers; sexual activity apparatus, devices and articles; analysers for bacterial identification for medical purposes; testing apparatus for medical purposes; air cushions for medical purposes; biodegradable bone fixation implants; support mattresses for medical purposes; urinals being vessels; surgical bougies; ear trumpets; thermal packs for first aid purposes; quad canes for medical purposes.

35 – Advertising; import-export agency services; commercial information agency services; advertising agency services; business intermediary services relating to the matching of potential private investors with entrepreneurs needing funding; computerized file management; book-keeping; invoicing; demonstration of goods; transcription of communications [office functions]; opinion polling; market studies; business information; commercial information and advice for consumers in the choice of products and services; business investigations; business research; marketing research; personnel recruitment; business management and organization consultancy; business organization consultancy; business management consultancy; personnel management consultancy; professional business consultancy; consultancy regarding advertising communication strategies; layout services for advertising purposes; marketing; business management of performing artists; business management of sports people; scriptwriting for advertising purposes; news clipping services; updating and maintenance of information in registries; upda-

ting and maintenance of data in computer databases; updating of advertising material; word processing; organization of exhibitions for commercial or advertising purposes; arranging newspaper subscriptions for others; organization of trade fairs for commercial or advertising purposes; shop window dressing; design of advertising materials; business appraisals; payroll preparation; data search in computer files for others; sponsorship search; business management assistance; commercial or industrial management assistance; providing business information via a web site; provision of commercial and business contact information; web indexing for commercial or advertising purposes; economic forecasting; auctioneering; production of teleshopping programmes; production of advertising films; office machines and equipment rental; rental of advertising time on communication media; publicity material rental; rental of billboards [advertising boards]; rental of vending machines; rental of photocopying machines; publication of publicity texts; radio advertising; distribution of samples; dissemination of advertising matter; direct mail advertising; registration of written communications and data; writing of publicity texts; on-line advertising on a computer network; advertising by mail order; television advertising; document reproduction; compilation of statistics; compilation of information into computer databases; business inquiries; systemization of information into computer databases; advisory services for business management; negotiation of business contracts for others; negotiation and conclusion of commercial transactions for third parties; compiling indexes of information for commercial or advertising purposes; tax preparation; drawing up of statements of accounts; telemarketing services; psychological testing for the selection of personnel; wholesale services for pharmaceutical and sanitary preparations and medical supplies; retail services for pharmaceutical and sanitary preparations and medical supplies; business management for freelance service providers; commercial administration of the licensing of the goods and services of others; administration of consumer loyalty programs; administrative processing of purchase orders; public relations; modelling for advertising or sales promotion; typing; appointment reminder services [office functions]; web site traffic optimization; relocation services for businesses; tax filing services; search engine optimization for sales promotion; appointment scheduling services [office functions]; price comparison services; secretarial services; procurement services for others [purchasing goods and services for other businesses]; shorthand; outsourcing services [business assistance]; telephone answering for unavailable subscribers; photocopying services; business efficiency expert services; consultancy regarding public relations communication strategies; commercial intermediation services; provision of an online marketplace for buyers and se-

llers of goods and services; presentation of goods on communication media, for retail purposes; rental of sales stands; bill-posting; pay per click advertising.

42 – Scientific and technological services and research and design relating thereto; industrial analysis and industrial research services; computer system analysis; chemical analysis; recovery of computer data; graphic arts design; computer virus protection services; engineering; installation of computer software; meteorological information; clinical trials; material testing; bacteriological research; biological research; chemical research; research and development of new products for others; scientific research; technical research; calibration [measuring]; computer security consultancy; information technology [IT] consultancy; consultancy in the design and development of computer hardware; Internet security consultancy; computer software consultancy; data security consultancy; technological consultancy; quality control; updating of computer software; monitoring of computer systems to detect breakdowns; monitoring of computer systems for detecting unauthorized access or data breach; monitoring of computer systems by remote access; software as a service [SaaS]; maintenance of computer software; digitization of documents [scanning]; conversion of data or documents from physical to electronic media; providing information on computer technology and programming via a web site; providing search engines for the Internet; conversion of computer programs and data, other than physical conversion; conducting technical project studies; computer system design; rental of web servers; computer rental; rental of computer software; hosting computer sites [web sites]; server hosting; computer software design; creating and designing website-based indexes of information for others [information technology services]; creating and maintaining web sites for others; computer programming; technical writing; copying of computer programs; cloud computing; chemistry services; outsource service providers in the field of information technology; off-site data backup; computer technology consultancy; scientific laboratory services; data encryption services; electronic data storage; surveying; electronic monitoring of personally identifying information to detect identity theft via the Internet; design and development of computer hardware and software; research in the field of physics.

44 – Medical services; hospital services; reforestation services; rehabilitation for substance abuse patients; nursing home services; hair implantation; medical advice for individuals with disabilities; pharmacy advice; chiropractic; massage; orthodontology; artificial insemination services; palliative care; midwife services; medical assistance; preparation of prescriptions by pharmacists; medical equipment rental; rental of sanitary installations; sanatorium

services; blood bank services; health care; health counselling; health spa services; human tissue bank services; convalescent home services; rest home services; medical clinic services; alternative medicine services; opticians' services; services of a psychologist; telemedicine services; therapy services; nursing, medical; physical therapy; plastic surgery; depilatory waxing; health center services; aromatherapy services; speech therapy; orthodontic services; dentistry services; in vitro fertilization services.

(260) AM 2020 104841 A

(800) 1486256

(151) 2019 07 01

(891) 2019 07 01

(731) PRIVATE INSTITUTION "UNIVERSITY
"KYIV SCHOOL OF ECONOMICS"

Dmytrivska St., 92-94, Kyiv 01135, Ukraine

(540)

KSE

(591) Black, white

(531) 27.05.01; 27.05.23

(511)

41 – Educational services.

42 – Scientific and technological services and research and design relating thereto.

(260) AM 2020 104842 A

(800) 1486311

(151) 2019 06 05

(891) 2019 06 05

(731) H & M Hennes & Mauritz AB

Mäster Samuelsgatan 46A, SE-111 57
Stockholm, Sweden

(540)

ITSAPARK

(591) Black, white

(511)

35 – Providing a searchable online advertising guide featuring the goods and services of online vendors; providing consumer information in the field of shopping via the Internet; promotion services, namely, promoting the goods and services of others; retail services relating to hand soaps, shower cream, shampoos, food supplements, hair conditioning preparations, non-medicated skin lotions, hand cream, body scrubs, washing products for textiles, preparations for dishwashing purposes, sun glasses, headphones, cell phone cases, jewellery, bells, paper mats, paper tablecloths, address books, paint brushes, pens (office requisites), chalk, paperclips, tape for stationery purposes, of books, magazines (periodicals); retail services relating to napkins of paper, erasers, bags,

trunks, backpacks, computer carriers, pocket wallets, sashes, umbrellas; retail services in relation to clothing, underwear, swim wear, shoes, headgear; marketing services, arrangement, reservation, information, research, advice and assistance relating to all the aforesaid; including all the aforesaid services provided via the Internet.

45 – Providing information relating to fashion coordination services for individuals via a website which also provides on-line social networking services enabling users to share information, particularly providing recommendations on products and services; providing customer-specific information within the fashion industry to meet the needs of individuals; arrangement, reservation, information, research, advice and assistance relating to all the aforesaid; including all the aforesaid services provided via the Internet.

(260) AM 2020 104849 A
 (800) 1486406
 (151) 2019 07 17
 (891) 2019 07 17
 (731) Wanli Tire Corporation Limited
 NO.3, WANLI ROAD, AOTOU TOWN,
 CONGHUA, GUANGZHOU CITY,
 GUANGDONG PROVINCE, China

(540)



(591) Black, white
 (531) 26.01.01; 26.01.03; 26.01.18; 27.05.09
 (511)

12 – Tires for vehicle wheels; automobile tires; pneumatic tyres; casings for pneumatic tyres; inner tubes for pneumatic tyres; repair outfits for inner tubes; bicycle tyres; solid tyres for vehicle wheels; inner tubes for bicycle tyres; tubeless tyres for bicycles.

(260) AM 2020 104850 A
 (800) 1486418
 (151) 2019 07 04
 (891) 2019 07 04
 (731) BIOFARMA
 50 rue Carnot, F-92284 Suresnes Cedex,
 France

(540)

ATOLIPREL

(591) Black, white
 (526)
 (511) 05 – Pharmaceutical and veterinary products; sanitary products for medical purposes; dietetic substances and foodstuffs for medical or veterinary

use, food for babies; food supplements for humans and animals; plasters, materials for dressings; material for dental fillings and dental impressions; disinfectants; products for destroying vermin; fungicides, herbicides.

(260) AM 2020 104851 A
 (800) 1486464
 (151) 2019 05 14
 (891) 2019 05 14
 (731) JEAN PATOU
 24/32 rue Jean Goujon, F-75008 Paris, France
 (540)

PATOU

(591) Black, white
 (511)

3 – Bleaching preparations and other substances for laundry use; cleaning, polishing, degreasing and abrasive preparations; soaps; perfumery, essential oils, cosmetics, hair lotions; dentifrices; perfumes; eau de parfum; eau de toilette; eau de Cologne; cosmetic creams; gels for the body; oils for cosmetic use; beauty milks; beauty lotions; body deodorants; beauty masks; make-up products; make-up removing milks and lotions; shaving soaps; after-shave lotions and balms.

9 – Optical apparatus and instruments; spectacles; sunglasses; contact lenses; cases for spectacles and sunglasses; chains for spectacles and for sunglasses; frames for spectacles and sunglasses; eyesight goods; cases for optical goods; sports eyewear; pouches for spectacles; smart phones in the form of spectacles; telephone apparatus; mobile telephones; smartphones; smartphones in the form of watches; hard covers for smartphones; cases for smartphones; leather cases for smartphones; electronic tablets; cases for tablets; hard covers for tablet computers; electronic agendas; cases for electronic agendas; downloadable software applications; downloadable applications for mobile devices; software; downloadable software; computers; cell phone holders for dashboards; chargers; external batteries.

14 – Precious metals and their alloys; fine jewelry, precious stones; timepieces and chronometric instruments; jewelry and jewelry articles; time measuring instruments; gold rings; wedding bands; friendship rings; platinum rings; earrings; rings [jewelry]; cuff links; bracelets; jewelry charms; chains [jewelry]; necklaces [jewelry]; brooches [jewelry]; pendants; key rings (trinkets or fobs); key rings and key chains and charms thereof; charms for key rings; tie pins; jewelry boxes; cases for timepieces and chronome-

tric instruments; watches; watch bands; alarm clocks.

18 – Leather and imitation leather; trunks and suitcases; umbrellas, parasols and walking sticks; whips, harness and saddlery; leather straps; straps of leather [saddlery]; straps of imitation leather; bags; leather bags; bags of imitation leather; leather handbags; handbags of imitation leather; key cases of leather; key cases of imitation leather; leather attaché-cases; attaché cases of imitation leather; traveling bags; travel bags of imitation leather; credit card cases of imitation leather; cases made of imitation leather (document cases); moleskin [imitation leather]; boxes of leather; hand luggage; travel luggage; luggage tags [leather goods]; address tags for luggage; suitcases [carrying cases]; empty toiletry sets; backpacks; handbags; baby carrying bags; briefcases and attaché cases; wallets; key cases; cosmetic sets; credit card cases of leather; credit card cases (wallets); purses; saddlery.

25 – Clothing, footwear, headgear; underwear; footwear for sports; lingerie; shirts; tee-shirts; scarves; skirts; dresses; trousers; coats; jackets; belts [clothing]; gloves [clothing]; neckties; socks; sports socks; sports clothing; shoes; slippers; boots; half-boots; hats; sports hats and caps; caps (bonnets).

35 – Retail services for perfumes, cosmetics, beauty products and haircare products; online retail services for perfumes, cosmetics, beauty products and haircare products; retail services for spectacles, eyewear, telephones and tablets, telephone and tablet accessories; online retail services for spectacles, eyewear, telephones and tablets, telephone and tablet accessories; retail services for jewelry, time measuring instruments and accessories for watches; online retail services for jewelry, time measuring instruments and accessories for watches; retail services for leather and imitation leather products, saddlery items, bags, luggage items, umbrellas; online retail services for leather and imitation leather products, saddlery items, bags, luggage items, umbrellas; retail services for clothing, footwear and headwear; online retail services for clothing, footwear and headwear; retail services in relation to fashion accessories; online retail services in relation to fashion accessories; distribution and dissemination of advertising material (leaflets, prospectuses, printed material, samples); presentation and demonstration of goods; distribution of samples; sales promotion.

(260) AM 2020 104859 A

(800) 1486796

(151) 2019 04 01

(891) 2019 04 01

(731) Klaus Faber AG

Lebacher Straße 152-156, 66113 Saarbrücken,
Germany

(540)



(591) Black, white

(531) 01.15.09; 07.01.13; 07.01.16; 07.01.24;
26.11.01; 26.11.12

(511)

6 – Unprocessed and semi-processed materials of metal; pipes, tubes and hoses, and fittings therefor, including valves, of metal; metal shafts for access to cables; metallic shafts for cable distribution; trunking [channels] of metal for electric cables; cable ducts made of metal [other than electricity]; clips of metal for cables and pipes; non-electric cables, wires and chains, of metal; reels of metal [non-mechanical] for storing cables; cable stretchers; cable supports made of metal; binding screws of metal for cables; cable straps of metal; metal hardware; ducts of metal for ventilating and air conditioning installations; ducts made of metal for trunking conduits for gases.

9 – Cable harnesses; cable modems; cable connectors; cable adapters; cable detectors; cables for transmitting and receiving cable television signals; electric cables for the transmission of sounds and images; cable television converters; USB cables; luminous USB cables; telecommunications cables; data transmission cables; USB cables for cellphones; data synchronization cables; electric cables and wires; mobile High-Definition Link (MHL) cables; threaded electrical cable connectors; electric wiring harnesses; conductor bars; ducting for electric cables; cable channels (electric-); cable covers [conduits]; wire connectors [electricity]; electrical connecting cables; insulated electrical cables; heat resistant electric wires; thermocouple cables; junction sleeves for electric cables; insulated cable for electrical installations; male connectors for electrical cables; connections for electric cables; threaded cable connectors of metal; identification threads for electric wires; cables for electrical signal transmission; joint boxes for housing cable joints; materials for electricity mains [wires, cables]; cable locators; power wires; current plugs; electricity conduits; power adapters; power distributors [electrical]; current-meters; apparatus and instruments for accumulating electricity; power line conditioners; power line protectors; apparatus and instruments for conducting electricity; ducts [electricity]; line drivers; electromagnetic conduits; conduit couplings [electric]; metal ducts [electric]; cables, electric; wires, electric;

interface cables [electric]; electrical power extension cords; mounting cords [electrical]; insulated electrical cables; rubber covered electrical wires; heat resistant electric wires; connections for electric cables; junction boxes for electric wires; sheaths for electrical wires; circuits for heavy current; aerial cables for heavy currents; electric ship cables; electrical connector for shore power transfer to ships; charging current distributor for ships.

16 – Printed matter; adhesives for stationery or household purposes; paper and cardboard; stationery and educational supplies; bags and articles for packaging, wrapping and storage of paper, cardboard or plastics; packing cardboard; packaging materials; paper padding; plastic bubble packs for wrapping or packaging; printed packaging materials of paper; advertising pamphlets; promotional publications; printed promotional material; signboards of paper or cardboard.

35 – Retail and wholesale services relating to cables, wires and other electrical goods, in particular copper ropes, including via the Internet; information on commercial matters, including via the Internet, cable network or other forms of data transmission; electronic processing of orders; advertising, marketing and sales promotion; business management; market research and market analyses; online advertising; online ordering services; compilation of online business directories.

39 – Electricity distribution via cables; supply of electricity; leasing the use of power lines to third parties for the transmission of electricity; storage of electricity; packaging and storage of goods; transportation and storage; storage and delivery of goods; parcel receipt services; storage of packages; storage of cargo; distribution of oil or gas by pipeline and cable.

40 – Metal fabrication and finishing services; custom manufacture of metal hardware; custom manufacture of elastomeric components; custom manufacture of thermoplastic components; custom manufacture of semiconductor components, devices and circuits; coppersmithing; rental of assembly machine equipment; custom assembling of materials for others; heat treatment of pipes and tubes made of metal; exterior and interior plating of pipes and tubes made of metal; photogravure printing; custom manufacture of rubber stamps; processing of rubber.

(260) AM 2020 104963 A
 (800) 1487597
 (151) 2019 07 29
 (891) 2019 07 29
 (731) SHENZHEN IVPS TECHNOLOGY
 CO., LTD.
 4th Floor, Building 30, Changxing Science,

and Technology Industrial Park, Changzhen
 Community, Gongming Street, Guangming
 New District, Shenzhen, Guangdong, China

(540)

IVPS

(591) Black, white

(531) 27.05.01

(511)

34 – Cigarettes containing tobacco substitutes, not for medical purposes; electronic cigarettes; cigarette tips; cigar cases; mouthpieces for cigarette holders; pipe racks for tobacco pipes; cigarette cases; cigarettos; tobacco pipes; cigars.

(260) AM 2020 104965 A

(800) 1487647

(151) 2019 02 22

(891) 2019 02 22

(731) Westerberg & Partners Advokatbyrå AB
 Box 3101, SE-103 62 Stockholm, Sweden

(540)

TREADLER

(591) Black, white

(511)

35 – Import and export agency services; procurement for others; compilation of statistics; compilation and provision of trade and business price and statistical information; marketing services for third parties; commercial intermediation services; business advisory and information services; computerised inventory control; computerised stock ordering; economic forecasting analysis for business purposes.

36 – Financing and funding services; finance services; financial transactions and transfers; payment services.

39 – Rental of storage facilities; providing information relating to the rental of warehouse space; packaging services; transport; transport services; advisory services relating to packaging of goods.

42 – Platform as a service (PAAS) for use in production and design of clothing, footwear, headgear, interior decorating for homes, textiles and furniture; design services relating to clothing, footwear, headgear, interior decorating for homes, textiles and furniture; testing, authentication and quality control; research and development services relating to fashion and design.

45 – Information relating to fashion coordination services for individuals; providing information relating to personal wardrobe styling.

(260) AM 2020 104966 A

(800) 1487669

(151) 2019 04 16

(891) 2019 04 16

(731) VENELIN STOYANOV GEORGIEV
apartment 13, floor 5, entrance B,
"Asenovska" street 32, BG-8800 Sliven,
Bulgaria

(540)

ОФТАБАКТА ОФТАВАСТА

(591) Black, white

(531) 28.05

(511)

5 – Absorbent cotton; acai powder dietary supplements; acaricides; acetates for pharmaceutical purposes; acids for pharmaceutical purposes; acne treatment preparations; aconitine; adhesive plasters; adhesive tapes for medical purposes; adhesives for dentures; adjuvants for medical purposes; air purifying preparations; air deodorizing preparations; albumin dietary supplements; albuminous foodstuffs for medical purposes; albuminous preparations for medical purposes; alcohol for pharmaceutical purposes; aldehydes for pharmaceutical purposes; algicides; alginate dietary supplements; alginates for pharmaceutical purposes; alkaline iodides for pharmaceutical purposes; alkaloids for medical purposes; alloys of precious metals for dental purposes; almond milk for pharmaceutical purposes; aloe vera preparations for pharmaceutical purposes; aluminium acetate for pharmaceutical purposes; amino acids for medical purposes; amino acids for veterinary purposes; anaesthetics; analgesics; angostura bark for medical purposes; animal washes [insecticides]; anti-uric preparations; antibacterial soap; antibacterial handwashes; antibiotics; anticryptogamic preparations; antioxidant pills; antiparasitic preparations; antiparasitic collars for animals; antiseptic cotton; antiseptics; appetite suppressants for medical purposes; appetite suppressant pills; aseptic cotton; asthmatic tea; astringents for medical purposes; babies' diapers; babies' diaper-pants; bacterial poisons; bacterial preparations for medical and veterinary use; bacteriological preparations for medical and veterinary use; balms for medical purposes; balsamic preparations for medical purposes; bandages for dressings; barks for pharmaceutical purposes; bath preparations for medical purposes; bath salts for medical purposes; bicarbonate of soda for pharmaceutical purposes; biocides; biological preparations for medical purposes; biological preparations for veterinary purposes; biological tissue cultures for medical purposes; biological tissue cultures for veterinary purposes; bismuth preparations for pharmaceutical purposes; bismuth subnitrate for pharmaceutical purposes; blood plasma; blood for medical purposes; bone cement for surgical and orthopaedic purposes; bouillons for bacteriological cultures; breast-nursing pads; bromine for pharmaceutical purposes; bron-

chodilating preparations; bunion pads; by-products of the processing of cereals for dietetic or medical purposes; cachets for pharmaceutical purposes; cachou for pharmaceutical purposes; preparations for callouses; calomel [fungicide]; camphor oil for medical purposes; camphor for medical purposes; candy, medicated; candy for medical purposes; capsules for medicines; carbolineum [parasiticide]; casein dietary supplements; castor oil for medical purposes; cattle washes [insecticides]; caustic pencils; caustics for pharmaceutical purposes; cedar wood for use as an insect repellent; cellulose esters for pharmaceutical purposes; cellulose ethers for pharmaceutical purposes; cement for animal hooves; charcoal for pharmaceutical purposes; chemical conductors for electrocardiograph electrodes; chemical contraceptives; chemical preparations for the diagnosis of pregnancy; chemical preparations to treat mildew; chemical preparations to treat wheat blight; chemical preparations for treating phylloxera; chemical preparations for pharmaceutical purposes; chemical preparations for veterinary purposes; chemical reagents for medical or veterinary purposes; chemico-pharmaceutical preparations; chewing gum for medical purposes; chilblain preparations; chinoline for medical purposes; chloroform; cocaine; cod liver oil; collagen for medical purposes; collodion for pharmaceutical purposes; collyrium; compresses; condurango bark for medical purposes; solutions for contact lenses; contact lens cleaning preparations; cooling sprays for medical purposes; corn rings for the feet; corn remedies; cotton for medical purposes; cotton swabs for medical purposes; cream of tartar for pharmaceutical purposes; creosote for pharmaceutical purposes; croton bark; cultures of microorganisms for medical or veterinary use; curare; decoctions for pharmaceutical purposes; dental abrasives; dental amalgams; dental cements; dental impression materials; dental lacquer; dental mastics; dental amalgams of gold; deodorants, other than for human beings or for animals; deodorants for clothing and textiles; depuratives; preparations for destroying noxious animals; preparations for destroying dry rot fungus; preparations for destroying mice; detergents for medical purposes; diabetic bread adapted for medical use; diagnostic preparations for medical purposes; diagnostic biomarker reagents for medical purposes; diagnostic preparations for veterinary purposes; diapers for pets; diastase for medical purposes; dietary fibre; dietary supplements for animals; dietary supplements with a cosmetic effect; dietetic foods adapted for medical purposes; dietetic beverages adapted for medical purposes; dietetic substances adapted for medical use; digestives for pharmaceutical purposes; digitalin; dill oil for medical purposes; disinfectant soap; disinfectants for hygiene purposes; disinfectants for chemical toilets; disinfectants; dog washes [insecticides]; douching prepara-

tions for medical purposes; dressings, medical; drugs for medical purposes; elixirs [pharmaceutical preparations]; enzyme preparations for medical purposes; enzyme preparations for veterinary purposes; enzyme dietary supplements; enzymes for medical purposes; enzymes for veterinary purposes; ergot for pharmaceutical purposes; esters for pharmaceutical purposes; ethers for pharmaceutical purposes; eucalyptol for pharmaceutical purposes; eucalyptus for pharmaceutical purposes; extracts of hops for pharmaceutical purposes; eyepatches for medical purposes; preparations to facilitate teething; febrifuges; fennel for medical purposes; ferments for pharmaceutical purposes; first-aid boxes, filled; fish meal for pharmaceutical purposes; flour for pharmaceutical purposes; flowers of sulfur for pharmaceutical purposes; fly catching paper; fly glue; fly destroying preparations; food for babies; formic aldehyde for pharmaceutical purposes; freeze-dried food adapted for medical purposes; freeze-dried meat adapted for medical purposes; frostbite salve for pharmaceutical purposes; fumigating sticks; fumigation preparations for medical purposes; fungicides; gallic acid for pharmaceutical purposes; gamboge for medical purposes; gases for medical purposes; gauze for dressings; gelatine for medical purposes; gentian for pharmaceutical purposes; germicides; glucose for medical purposes; glucose dietary supplements; glycerine for medical purposes; glycerophosphates; greases for medical purposes; greases for veterinary purposes; guaiacol for pharmaceutical purposes; gum for medical purposes; gurjun balsam for medicinal purposes; haematogen; haemoglobin; haemorrhoid preparations; haemostatic pencils; herbal teas for medicinal purposes; herbal extracts for medical purposes; preparations for destroying noxious plants; homogenized food adapted for medical purposes; hormones for medical purposes; hydrastine; hydrastinine; hydrated chloral for pharmaceutical purposes; hydrogen peroxide for medical purposes; immunostimulants; infant formula; insect repellents; insect repellent incense; insecticidal animal shampoo; insecticidal veterinary washes; insecticides; iodides for pharmaceutical purposes; iodine for pharmaceutical purposes; iodoform; Irish moss for medical purposes; isotopes for medical purposes; jalap; jujube, medicated; lacteal flour for babies; larvae exterminating preparations; laxatives; lead water; lecithin for medical purposes; lecithin dietary supplements; leeches for medical purposes; lice treatment preparations [pediculicides]; lime-based pharmaceutical preparations; liniments; linseed for pharmaceutical purposes; linseed meal for pharmaceutical purposes; linseed dietary supplements; linseed oil dietary supplements; lint for medical purposes; liquorice for pharmaceutical purposes; lotions for pharmaceutical purposes; lotions for veterinary purposes; lupulin for pharmaceutical purposes; magnesia for pharmaceutical purposes; malt for pharmaceutical purposes;

malted milk beverages for medical purposes; mangrove bark for pharmaceutical purposes; medical preparations for slimming purposes; medicated eye-washes; medicated animal feed; medicated dentifrices; medicated after-shave lotions; medicated shampoos; medicated toiletry preparations; medicated hair lotions; medicated dry shampoos; medicated shampoos for pets; medicated soap; medicated massage candles; medicinal alcohol; medicinal mud; medicinal infusions; medicinal tea; medicinal oils; medicinal herbs; medicinal roots; medicinal drinks; medicinal hair growth preparations; medicine cases, portable, filled; medicines for alleviating constipation; medicines for dental purposes; medicines for human purposes; medicines for veterinary purposes; melissa water for pharmaceutical purposes; menthol; mercurial ointments; preparations of microorganisms for medical or veterinary use; milk ferments for pharmaceutical purposes; milk sugar for pharmaceutical purposes; milking grease; mineral waters for medical purposes; mineral water salts; mineral food supplements; mint for pharmaceutical purposes; moleskin for medical purposes; mothproofing preparations; mothproofing paper; moulding wax for dentists; mouthwashes for medical purposes; mud for baths; mustard oil for medical purposes; mustard for pharmaceutical purposes; mustard plasters; myrobalan bark for pharmaceutical purposes; napkins for incontinents; narcotics; nervines; nicotine gum for use as an aid to stop smoking; nicotine patches for use as aids to stop smoking; nutraceutical preparations for therapeutic or medical purposes; nutritional supplements; nutritive substances for microorganisms; oil of turpentine for pharmaceutical purposes; ointments for pharmaceutical purposes; opiates; opium; opodeldoc; ophotherapy preparations; oxygen baths; oxygen for medical purposes; pants, absorbent, for incontinents; panty liners [sanitary]; paper for mustard plasters; parasiticides; pastilles for pharmaceutical purposes; pearl powder for medical purposes; pectin for pharmaceutical purposes; pediculicidal shampoos; pepsins for pharmaceutical purposes; peptones for pharmaceutical purposes; pesticides; petroleum jelly for medical purposes; pharmaceutical preparations; pharmaceutical preparations for treating sunburn; pharmaceutical preparations for skin care; pharmaceutical preparations for treating dandruff; pharmaceuticals; phenol for pharmaceutical purposes; phosphates for pharmaceutical purposes; phytotherapy preparations for medical purposes; plant extracts for pharmaceutical purposes; poisons; pollen dietary supplements; pomades for medical purposes; porcelain for dental prostheses; potassium salts for medical purposes; poultices; powder of cantharides; powdered milk for babies; pre-filled syringes for medical purposes; propolis for pharmaceutical purposes; propolis dietary supplements; protein dietary supplements; protein supplements for animals; purgatives; pyrethrum powder; quassia for

medical purposes; quebracho for medical purposes; quinine for medical purposes; quinquina for medical purposes; radioactive substances for medical purposes; radiological contrast substances for medical purposes; radium for medical purposes; rat poison; reagent paper for medical purposes; reagent paper for veterinary purposes; preparations for reducing sexual activity; remedies for foot perspiration; remedies for perspiration; repellents for dogs; rhubarb roots for pharmaceutical purposes; royal jelly for pharmaceutical purposes; royal jelly dietary supplements; rubber for dental purposes; salts for mineral water baths; salts for medical purposes; sanitary panties; sanitary tampons; sanitary towels; sarsaparilla for medical purposes; scapulars for surgical purposes; sea water for medicinal bathing; sedatives; semen for artificial insemination; serotherapeutic medicines; serums; personal sexual lubricants; sexual stimulant gels; siccatives [drying agents] for medical purposes; slimming pills; slug exterminating preparations; smelling salts; smoking herbs for medical purposes; sodium salts for medical purposes; soil-sterilizing preparations; solvents for removing adhesive plasters; soporifics; starch for dietetic or pharmaceutical purposes; stem cells for medical purposes; stem cells for veterinary purposes; sterilizing preparations; steroids; stick liquorice for pharmaceutical purposes; strychnine; styptic preparations; sugar for medical purposes; sulfonamides [medicines]; sulfur sticks [disinfectants]; sunburn ointments; suppositories; surgical dressings; surgical implants comprised of living tissues; surgical glues; syrups for pharmaceutical purposes; tanning pills; tartar for pharmaceutical purposes; teeth filling material; therapeutic preparations for the bath; thermal water; thymol for pharmaceutical purposes; tincture of iodine; tinctures for medical purposes; tissues impregnated with pharmaceutical lotions; tobacco extracts [insecticides]; tobacco-free cigarettes for medical purposes; tonics [medicines]; preparations of trace elements for human and animal use; transplants [living tissues]; preparations for the treatment of burns; turpentine for pharmaceutical purposes; vaccines; vaginal washes for medical purposes; vermifuges; vermin destroying preparations; vesicants; veterinary preparations; vine disease treating chemicals; vitamin preparations; vitamin supplement patches; vulnerary sponges; wadding for medical purposes; wart pencils; wheat germ dietary supplements; yeast for pharmaceutical purposes; yeast dietary supplements.

**INTERNATIONAL TRADEMARKS PROTECTED
IN GEORGIA**

(260) AM 2020 98530 A
(800) 879538
(151) 2005 10 10
(181) 2025 10 10
(891) 2017 06 12
(511) 12, 35

(260) AM 2020 99137 A
(800) 1420043
(151) 2018 04 20
(181) 2028 04 20
(891) 2018 04 20
(511) 19, 20, 27, 27, 35, 35

(260) AM 2020 98870 A
(800) 1416405
(151) 2018 04 20
(181) 2028 04 20
(891) 2018 04 20
(511) 19, 20, 27, 27, 35, 35

(260) AM 2020 99138 A
(800) 1420105
(151) 2018 04 20
(181) 2028 04 20
(891) 2018 04 20
(511) 19, 20, 27, 27, 35, 35

(260) AM 2020 99108 A
(800) 1419296
(151) 2018 04 20
(181) 2028 04 20
(891) 2018 04 20
(511) 19, 20, 27, 27, 35, 35

(260) AM 2020 100569 A
(800) 1435983
(151) 2018 05 29
(181) 2028 05 29
(891) 2018 05 29
(511) 09, 10, 11, 12, 14, 35, 37, 38, 41, 42, 44

(260) AM 2020 99110 A
(800) 1419304
(151) 2018 04 20
(181) 2028 04 20
(891) 2018 04 20
(511) 19, 20, 27, 27, 35, 35

(260) AM 2020 101704 A
(800) 1449227
(151) 2019 01 16
(181) 2029 01 16
(891) 2019 01 16
(511) 10

(260) AM 2020 99116 A
(800) 1419617
(151) 2018 04 20
(181) 2028 04 20
(891) 2018 04 20
(511) 19, 20, 27, 27, 35, 35

(260) AM 2020 101796 A
(800) 1450475
(151) 2018 10 25
(181) 2028 10 25
(891) 2018 10 25
(511) 01, 02

(260) AM 2020 99128 A
(800) 1419955
(151) 2018 04 20
(181) 2028 04 20
(891) 2018 04 20
(511) 19, 20, 27, 27, 35, 35

(260) AM 2020 101956 A
(800) 1452349
(151) 2018 12 03
(181) 2028 12 03
(891) 2018 12 03
(511) 05

(260) AM 2020 99132 A
(800) 1419995
(151) 2018 04 20
(181) 2028 04 20
(891) 2018 04 20
(511) 19, 20, 27, 27, 35, 35

(260) AM 2020 101980 A
(800) 1452828
(151) 2018 12 17
(181) 2028 12 17
(891) 2018 12 17
(511) 35

(260) AM 2020 101987 A
(800) 1452939
(151) 2018 12 31
(181) 2028 12 31
(891) 2018 12 31
(511) 12

(260) AM 2020 101988 A
(800) 1453018
(151) 2018 09 27
(181) 2028 09 27
(891) 2018 09 27
(511) 03

(260) AM 2020 102079 A
(800) 1453591
(151) 2018 10 30
(181) 2028 10 30
(891) 2018 10 30
(511) 35

(260) AM 2020 102080 A
(800) 1453602
(151) 2018 12 11
(181) 2028 12 11
(891) 2018 12 11
(511) 05

(260) AM 2020 102081 A
(800) 1453627
(151) 2018 12 27
(181) 2028 12 27
(891) 2018 12 27
(511) 05

(260) AM 2020 102082 A
(800) 1453715
(151) 2019 01 09
(181) 2029 01 09
(891) 2019 01 09
(511) 35, 36

(260) AM 2020 102083 A
(800) 1453732
(151) 2018 12 27
(181) 2028 12 27
(891) 2018 12 27
(511) 32

(260) AM 2020 102089 A
(800) 1453993
(151) 2018 09 04
(181) 2028 09 04

(891) 2018 09 04
(511) 09, 11

(260) AM 2020 102093 A
(800) 1454035
(151) 2018 12 21
(181) 2028 12 21
(891) 2018 12 21
(511) 09

(260) AM 2020 102114 A
(800) 1454421
(151) 2018 10 03
(181) 2028 10 03
(891) 2018 10 03
(511) 05

(260) AM 2020 102115 A
(800) 1454450
(151) 2018 12 18
(181) 2028 12 18
(891) 2018 12 18
(511) 18, 21, 25, 39

(260) AM 2020 102116 A
(800) 1454475
(151) 2018 11 20
(181) 2028 11 20
(891) 2018 11 20
(511) 03, 10, 21

(260) AM 2020 102117 A
(800) 1454482
(151) 2018 12 27
(181) 2028 12 27
(891) 2018 12 27
(511) 32

(260) AM 2020 102121 A
(800) 1454628
(151) 2018 10 18
(181) 2028 10 18
(891) 2018 10 18
(511) 31

(260) AM 2020 102122 A
(800) 1454634
(151) 2018 10 04
(181) 2028 10 04
(891) 2018 10 04
(511) 03, 09, 14, 18, 25, 35, 42

(260) AM 2020 102129 A
(800) 1001467
(151) 2009 03 17
(181) 2029 03 17
(891) 2019 02 06
(511) 03

(260) AM 2020 102187 A
(800) 1455210
(151) 2018 12 18
(181) 2028 12 18
(891) 2018 12 18
(511) 05

(260) AM 2020 102188 A
(800) 1455214
(151) 2018 12 18
(181) 2028 12 18
(891) 2018 12 18
(511) 05

(260) AM 2020 102192 A
(800) 1455341
(151) 2018 12 14
(181) 2028 12 14
(891) 2018 12 14
(511) 19, 27

(260) AM 2020 102194 A
(800) 1455423
(151) 2018 12 18
(181) 2028 12 18
(891) 2018 12 18
(511) 20, 21

(260) AM 2020 102195 A
(800) 1455434
(151) 2018 12 17
(181) 2028 12 17
(891) 2018 12 17
(511) 19

(260) AM 2020 102204 A
(800) 1455557
(151) 2019 01 21
(181) 2029 01 21
(891) 2019 01 21
(511) 34

(260) AM 2020 102209 A
(800) 1455761
(151) 2019 01 22
(181) 2029 01 22

(891) 2019 01 22
(511) 05

(260) AM 2020 102214 A
(800) 1455832
(151) 2019 01 10
(181) 2029 01 10
(891) 2019 01 10
(511) 34

(260) AM 2020 102215 A
(800) 1455859
(151) 2018 11 30
(181) 2028 11 30
(891) 2018 11 30
(511) 03

(260) AM 2020 102216 A
(800) 1455869
(151) 2018 09 07
(181) 2028 09 07
(891) 2018 09 07
(511) 03, 20, 21

(260) AM 2020 102220 A
(800) 1455923
(151) 2018 10 29
(181) 2028 10 29
(891) 2018 10 29
(511) 39

(260) AM 2020 102221 A
(800) 1455931
(151) 2018 12 14
(181) 2028 12 14
(891) 2018 12 14
(511) 02, 19, 27

(260) AM 2020 102222 A
(800) 1455938
(151) 2018 12 10
(181) 2028 12 10
(891) 2018 12 10
(511) 09, 42

(260) AM 2020 102269 A
(800) 1455960
(151) 2019 01 24
(181) 2029 01 24
(891) 2019 01 24
(511) 28

(260) AM 2020 102270 A
(800) 1456030
(151) 2018 12 27
(181) 2028 12 27
(891) 2018 12 27
(511) 05

(260) AM 2020 102272 A
(800) 1456099
(151) 2018 11 22
(181) 2028 11 22
(891) 2018 11 22
(511) 10, 25, 44

(260) AM 2020 102273 A
(800) 1456116
(151) 2018 12 01
(181) 2028 12 01
(891) 2018 12 01
(511) 12

(260) AM 2020 102274 A
(800) 1456123
(151) 2019 02 15
(181) 2029 02 15
(891) 2019 02 15
(511) 05

(260) AM 2020 102294 A
(800) 1456616
(151) 2018 09 25
(181) 2028 09 25
(891) 2018 09 25
(511) 03, 05, 10, 16, 24, 25

(260) AM 2020 102295 A
(800) 1456656
(151) 2018 12 17
(181) 2028 12 17
(891) 2018 12 17
(511) 12

(260) AM 2020 102304 A
(800) 1456775
(151) 2018 10 22
(181) 2028 10 22
(891) 2018 10 22
(511) 29

(260) AM 2020 102318 A
(800) 1457223
(151) 2018 11 16
(181) 2028 11 16

(891) 2018 11 16
(511) 09, 42

(260) AM 2020 102319 A
(800) 1457247
(151) 2019 01 04
(181) 2029 01 04
(891) 2019 01 04
(511) 09, 41, 42

(260) AM 2020 102320 A
(800) 1457279
(151) 2019 01 11
(181) 2029 01 11
(891) 2019 01 11
(511) 07, 09, 11, 37, 42

(260) AM 2020 102321 A
(800) 1457364
(151) 2018 10 18
(181) 2028 10 18
(891) 2018 10 18
(511) 09, 35, 40

(260) AM 2020 102322 A
(800) 1457368
(151) 2018 11 23
(181) 2028 11 23
(891) 2018 11 23
(511) 07

(260) AM 2020 102325 A
(800) 1457459
(151) 2019 01 22
(181) 2029 01 22
(891) 2019 01 22
(511) 03, 05

(260) AM 2020 102326 A
(800) 1457485
(151) 2018 11 23
(181) 2028 11 23
(891) 2018 11 23
(511) 10

(260) AM 2020 102341 A
(800) 1389532
(151) 2017 04 10
(181) 2027 04 10
(891) 2019 03 01
(511) 35, 42

(260) AM 2020 102342 A
(800) 1392534
(151) 2017 12 05
(181) 2027 12 05
(891) 2019 01 31
(511) 07, 12

(260) AM 2020 102343 A
(800) 1396249
(151) 2017 12 21
(181) 2027 12 21
(891) 2019 02 12
(511) 03

(260) AM 2020 102344 A
(800) 1403281
(151) 2017 10 23
(181) 2027 10 23
(891) 2019 02 28
(511) 03

(260) AM 2020 102345 A
(800) 1451866
(151) 2018 07 04
(181) 2028 07 04
(891) 2019 03 06
(511) 07, 08, 09, 12, 20

(260) AM 2020 102408 A
(800) 1457674
(151) 2019 02 15
(181) 2029 02 15
(891) 2019 02 15
(511) 09

(260) AM 2020 102409 A
(800) 1457688
(151) 2018 11 28
(181) 2028 11 28
(891) 2018 11 28
(511) 14

(260) AM 2020 102443 A
(800) 1458536
(151) 2019 03 01
(181) 2029 03 01
(891) 2019 03 01
(511) 01

(260) AM 2020 102449 A
(800) 1458632
(151) 2018 11 02
(181) 2028 11 02

(891) 2018 11 02
(511) 07

(260) AM 2020 102451 A
(800) 1458645
(151) 2018 12 03
(181) 2028 12 03
(891) 2018 12 03
(511) 33

(260) AM 2020 102454 A
(800) 1458680
(151) 2019 01 15
(181) 2029 01 15
(891) 2019 01 15
(511) 09, 42

(260) AM 2020 102455 A
(800) 1458686
(151) 2019 01 24
(181) 2029 01 24
(891) 2019 01 24
(511) 07

(260) AM 2020 102456 A
(800) 1458716
(151) 2018 11 30
(181) 2028 11 30
(891) 2018 11 30
(511) 03

(260) AM 2020 102457 A
(800) 1458717
(151) 2019 01 03
(181) 2029 01 03
(891) 2019 01 03
(511) 37, 39, 42

(260) AM 2020 102458 A
(800) 1458737
(151) 2018 10 22
(181) 2028 10 22
(891) 2018 10 22
(511) 03, 35, 44

(260) AM 2020 102459 A
(800) 1458761
(151) 2018 12 27
(181) 2028 12 27
(891) 2018 12 27
(511) 05

(260) AM 2020 102460 A
(800) 1458771
(151) 2018 12 27
(181) 2028 12 27
(891) 2018 12 27
(511) 05

(260) AM 2020 102461 A
(800) 1458778
(151) 2018 12 27
(181) 2028 12 27
(891) 2018 12 27
(511) 05

(260) AM 2020 102462 A
(800) 1458781
(151) 2018 12 27
(181) 2028 12 27
(891) 2018 12 27
(511) 05

(260) AM 2020 102463 A
(800) 1458786
(151) 2018 09 13
(181) 2028 09 13
(891) 2018 09 13
(511) 09, 28, 41

(260) AM 2020 102468 A
(800) 1458811
(151) 2019 01 24
(181) 2029 01 24
(891) 2019 01 24
(511) 03

(260) AM 2020 102469 A
(800) 1458826
(151) 2018 11 08
(181) 2028 11 08
(891) 2018 11 08
(511) 09

(260) AM 2020 102484 A
(800) 1308285
(151) 2016 05 05
(181) 2026 05 05
(891) 2019 02 06
(511) 03, 44

(260) AM 2020 102485 A
(800) 1322615
(151) 2016 08 04
(181) 2026 08 04

(891) 2019 02 01
(511) 43

(260) AM 2020 102487 A
(800) 1398885
(151) 2017 12 04
(181) 2027 12 04
(891) 2019 02 25
(511) 25

(260) AM 2020 102488 A
(800) 1402047
(151) 2017 12 15
(181) 2027 12 15
(891) 2019 01 30
(511) 25

(260) AM 2020 102489 A
(800) 1415598
(151) 2017 12 14
(181) 2027 12 14
(891) 2019 03 12
(511) 35, 41

(260) AM 2020 102490 A
(800) 1440638
(151) 2018 08 17
(181) 2028 08 17
(891) 2019 03 11
(511) 33

(260) AM 2020 102568 A
(800) 1458988
(151) 2018 11 27
(181) 2028 11 27
(891) 2018 11 27
(511) 10, 44

(260) AM 2020 102569 A
(800) 1458989
(151) 2018 11 27
(181) 2028 11 27
(891) 2018 11 27
(511) 10, 44

(260) AM 2020 102615 A
(800) 1460009
(151) 2018 12 28
(181) 2028 12 28
(891) 2018 12 28
(511) 18, 25, 35

(260) AM 2020 102616 A
(800) 1460039
(151) 2018 11 29
(181) 2028 11 29
(891) 2018 11 29
(511) 04

(260) AM 2020 102618 A
(800) 1460044
(151) 2018 11 29
(181) 2028 11 29
(891) 2018 11 29
(511) 04

(260) AM 2020 102619 A
(800) 1460046
(151) 2019 01 11
(181) 2029 01 11
(891) 2019 01 11
(511) 35

(260) AM 2020 102620 A
(800) 1460057
(151) 2019 02 13
(181) 2029 02 13
(891) 2019 02 13
(511) 12, 37

(260) AM 2020 102621 A
(800) 1460060
(151) 2019 02 05
(181) 2029 02 05
(891) 2019 02 05
(511) 03, 05

(260) AM 2020 102622 A
(800) 1460066
(151) 2019 01 22
(181) 2029 01 22
(891) 2019 01 22
(511) 03, 05

(260) AM 2020 102623 A
(800) 1460070
(151) 2019 02 13
(181) 2029 02 13
(891) 2019 02 13
(511) 25

(260) AM 2020 102624 A
(800) 1460071
(151) 2018 11 29
(181) 2028 11 29

(891) 2018 11 29
(511) 09

(260) AM 2020 102625 A
(800) 1460073
(151) 2019 02 12
(181) 2029 02 12
(891) 2019 02 12
(511) 03, 05

(260) AM 2020 102637 A
(800) 1452978
(151) 2019 01 17
(181) 2029 01 17
(891) 2019 03 10
(511) 43

(260) AM 2020 102638 A
(800) 1456147
(151) 2018 08 31
(181) 2028 08 31
(891) 2019 03 08
(511) 09

(260) AM 2020 102662 A
(800) 1460749
(151) 2019 01 11
(181) 2029 01 11
(891) 2019 01 11
(511) 01, 02, 06, 07, 09, 17, 21, 37, 42

(260) AM 2020 102663 A
(800) 1460755
(151) 2019 01 29
(181) 2029 01 29
(891) 2019 01 29
(511) 13, 17

(260) AM 2020 102664 A
(800) 1460760
(151) 2019 03 07
(181) 2029 03 07
(891) 2019 03 07
(511) 03, 05

(260) AM 2020 102667 A
(800) 1460837
(151) 2019 02 07
(181) 2029 02 07
(891) 2019 02 07
(511) 05, 35

(260) AM 2020 102668 A
(800) 1460903
(151) 2019 03 06
(181) 2029 03 06
(891) 2019 03 06
(511) 41

(260) AM 2020 102670 A
(800) 1460942
(151) 2019 02 19
(181) 2029 02 19
(891) 2019 02 19
(511) 25

(260) AM 2020 102752 A
(800) 1461334
(151) 2018 12 20
(181) 2028 12 20
(891) 2018 12 20
(511) 29

(260) AM 2020 102754 A
(800) 1461366
(151) 2018 10 09
(181) 2028 10 09
(891) 2018 10 09
(511) 35, 36, 39

(260) AM 2020 102758 A
(800) 1461496
(151) 2019 02 26
(181) 2029 02 26
(891) 2019 02 26
(511) 35

(260) AM 2020 102767 A
(800) 1461829
(151) 2018 10 09
(181) 2028 10 09
(891) 2018 10 09
(511) 36

(260) AM 2020 102862 A
(800) 1462691
(151) 2019 01 18
(181) 2029 01 18
(891) 2019 01 18
(511) 03

(260) AM 2020 102866 A
(800) 1462780
(151) 2019 02 15
(181) 2029 02 15

(891) 2019 02 15
(511) 05

(260) AM 2020 102908 A
(800) 1225387
(151) 2014 10 10
(181) 2024 10 10
(891) 2019 02 12
(511) 03

(260) AM 2020 102909 A
(800) 1314393
(151) 2016 03 21
(181) 2026 03 21
(891) 2019 01 22
(511) 11, 20, 21, 35

(260) AM 2020 102910 A
(800) 1337188
(151) 2016 06 07
(181) 2026 06 07
(891) 2019 04 04
(511) 35

(260) AM 2020 102936 A
(800) 1463765
(151) 2019 03 07
(181) 2029 03 07
(891) 2019 03 07
(511) 03, 05

(260) AM 2020 102992 A
(800) 935643
(151) 2007 05 15
(181) 2027 05 15
(891) 2019 03 29
(511) 06, 07

(260) AM 2020 102993 A
(800) 947888
(151) 2007 10 24
(181) 2027 10 24
(891) 2019 03 29
(511) 06, 07

(260) AM 2020 102994 A
(800) 951366
(151) 2007 10 02
(181) 2027 10 02
(891) 2019 03 29
(511) 09, 37

(260) AM 2020 102995 A
(800) 985013
(151) 2008 10 17
(181) 2028 10 17
(891) 2019 04 11
(511) 03, 14, 18

(260) AM 2020 102996 A
(800) 1166748
(151) 2013 02 06
(181) 2023 02 06
(891) 2019 03 22
(511) 17, 19, 27

(260) AM 2020 103061 A
(800) 1465711
(151) 2018 12 07
(181) 2028 12 07
(891) 2018 12 07
(511) 05, 10, 42, 44

(260) AM 2020 103062 A
(800) 1465745
(151) 2019 02 11
(181) 2029 02 11
(891) 2019 02 11
(511) 29, 30

(260) AM 2020 103083 A
(800) 1466134
(151) 2018 12 29
(181) 2028 12 29
(891) 2018 12 29
(511) 06, 11, 16, 18, 19, 20, 21, 24, 27, 35

(260) AM 2020 103084 A
(800) 1466137
(151) 2019 04 08
(181) 2029 04 08
(891) 2019 04 08
(511) 05

(260) AM 2020 103085 A
(800) 1466138
(151) 2019 04 08
(181) 2029 04 08
(891) 2019 04 08
(511) 05

(260) AM 2020 103125 A
(800) 1466178
(151) 2019 03 27
(181) 2029 03 27

(891) 2019 03 27
(511) 14

(260) AM 2020 103170 A
(800) 1201385
(151) 2013 10 23
(181) 2023 10 23
(891) 2019 04 04
(511) 05

(260) AM 2020 103171 A
(800) 1256033
(151) 2015 02 12
(181) 2025 02 12
(891) 2019 04 24
(511) 01

(260) AM 2020 103172 A
(800) 1286275
(151) 2015 11 13
(181) 2025 11 13
(891) 2018 09 26
(511) 35, 36

(260) AM 2020 103173 A
(800) 1301907
(151) 2016 02 29
(181) 2026 02 28
(891) 2019 04 16
(511) 31

(260) AM 2020 103177 A
(800) 1447229
(151) 2018 12 12
(181) 2028 12 12
(891) 2019 04 10
(511) 34

(260) AM 2020 103290 A
(800) 1259722
(151) 2015 04 24
(181) 2025 04 24
(891) 2019 04 05
(511) 05

(260) AM 2020 103291 A
(800) 1267008
(151) 2015 02 05
(181) 2025 02 05
(891) 2019 04 30
(511) 35, 36

(260) AM 2020 103292 A
(800) 1292207
(151) 2016 02 03
(181) 2026 02 03
(891) 2019 03 08
(511) 04

(260) AM 2020 103293 A
(800) 1292454
(151) 2015 09 19
(181) 2025 09 19
(891) 2019 01 03
(511) 05

(260) AM 2020 103294 A
(800) 1303433
(151) 2016 02 29
(181) 2026 02 28
(891) 2019 04 16
(511) 31

(260) AM 2020 103295 A
(800) 1363755
(151) 2017 06 12
(181) 2027 06 12
(891) 2019 04 24
(511) 09, 10, 44

(260) AM 2020 103352 A
(800) 1468649
(151) 2019 03 01
(181) 2029 03 01
(891) 2019 03 01
(511) 41

(260) AM 2020 103353 A
(800) 1468655
(151) 2019 03 20
(181) 2029 03 20
(891) 2019 03 20
(511) 05

APPELLATIONS OF ORIGIN OF GOODS

REGISTERED APPELATION OF ORIGINE OF GOOD

(111) 977

(151) 2020 03 30

(540)

სალხინოს ოჯალები

(732) N(N)LE "SALKHINOS OJALESHI"

Salkhino, 3120, Martvili, Georgia

(511) 33

APPELLATION OF ORIGIN OF GOODS FILED IN GEORGIA FOR EXAMINATION UNDER LISBON AGREEMENT, ON THE BASIS OF THE INTERNATIONAL REGISTRATION

The decision can be appealed at the Chamber of Appeal of Sakpatenti within 3 months from the publication or at the Mtskheta District Court Administrative Cases Board (Address: №17, Samkhedro str., Mtskheta), within 1 month following the publication.

Number of Indication: 3495

Number of International Registration: 1134

Data of International Registration: 2019 12 07

Application Filing Date: 2018 06 22

Appellation of Origin of Good: **GERDO E TOYSERKAN E IRAN**

The Goods for which the Registration of Appellation of Origin is Required: 31 - Walnut

گردوی تویسرکان ایران

Name and Address of Applicant: Producer or groups of producers benefiting from the appellation of origin concerned: Walnut Farmers Coo of Tuyserkan /Region of Tuyserkan County, Iran

PROTECTED INTERNATIONAL APPELATION OF ORIGINE OF GOOD

(800) 1131

(151) 2019 07 07

(540)

xatame firaz

(732) Producer or groups of producers benefiting from the appellation of origin concerned:

Union of Handicrafts Cooperatives of Fars Province; Mr. Jalal Gholami, khatam artist of Shiraz / Region of Shiraz, IRAN

(511)

19 – Khatam.

OFFICIAL NOTIFICATIONS

INVENTIONS

ABOLITION OF PATENTS WITH THE RIGHT TO RESTORE

(21) AP 2011 12129

(11) P 2013 5745 B

(73) Mariam Ionanidze;
Bagrat Basiladze

(54) **DRUG FOR PYODERMIA TREATMENT**

DATE OF CANCELLATION OF PATENT: 2020 03 09

THE TERM OF RESTORATION OF PATENT VALIDITY HAS EXPIRED: 2021 03 09

(21) AP 2010 12421

(11) P 2015 6392 B

(73) ONYX THERAPEUTICS INC.

(54) **CRYSTALLINE TRIPEPTIDE EPOXY KETONE PROTEASE INHIBITORS**

DATE OF CANCELLATION OF PATENT: 2020 03 22

THE TERM OF RESTORATION OF PATENT VALIDITY HAS EXPIRED: 2021 03 22

(21) AP 2010 12443

(11) P 2015 6393 B

(73) GEOX S.P.A.

(54) **WATERPROOF AND VAPOR-PERMEABLE SHOE**

DATE OF CANCELLATION OF PATENT: 2020 03 12

THE TERM OF RESTORATION OF PATENT VALIDITY HAS EXPIRED: 2021 03 12

(21) AP 2010 12444

(11) P 2015 6394 B

(73) GEOX S.P.A.

(54) **METHOD FOR MANUFACTURING WATERPROOF AND VAPOR-PERMEABLE SHOE**

DATE OF CANCELLATION OF PATENT: 2020 03 12

THE TERM OF RESTORATION OF PATENT VALIDITY HAS EXPIRED: 2021 03 12

(21) AP 2011 12872

(11) P 2017 6752 B

(73) BASF AGROCHEMICAL PRODUCTS B.V.

(54) **HERBICIDE-TOLERANT PLANTS**

DATE OF CANCELLATION OF PATENT: 2020 03 17

THE TERM OF RESTORATION OF PATENT VALIDITY HAS EXPIRED: 2021 03 17

(21) AP 2013 13040

(11) P 2015 6369 B

(73) LES LABORATOIRES SERVIER

(54) **NEW PROCESS FOR SYNTHESIS OF IVABRADINE AND ADDITION SALTS THEREWITH
PHARMACEUTICALLY ACCEPTABLE ACID**

DATE OF CANCELLATION OF PATENT: 2020 03 25

THE TERM OF RESTORATION OF PATENT VALIDITY HAS EXPIRED: 2021 03 25

(21) AP 2014 13425

(11) P 2017 6731 B

(73) LES LABORATOIRES SERVIER

(54) **PROCESS FOR SYNTHESIS OF 7,8-DIMETHOXY-1,3-DIHYDRO-2H-3- BENZAZEPIN-2-ONE COMPOUNDS AND APPLICATION THEREIN SYNTHESIS OF IVABRADINE**

DATE OF CANCELLATION OF PATENT: 2020 03 21

THE TERM OF RESTORATION OF PATENT VALIDITY HAS EXPIRED: 2021 03 21

(21) AP 2014 13939

(11) P 2017 6790 B

(73) GNOSIS S.P.A.

(54) **STERILE S-ADENOSYL METHIONINE WITH A HIGH CONTENT OF ACTIVE ISOMER FOR INJECTABLE SOLUTIONS, AND PROCEDURE FOR OBTAINING IT**

DATE OF CANCELLATION OF PATENT: 2020 03 19

THE TERM OF RESTORATION OF PATENT VALIDITY HAS EXPIRED: 2021 03 19

(21) AP 2016 14086

(11) P 2018 6898 B

(73) Teimuraz Shengelia

(54) **TRACTOR AUTOCONTROL SYSTEM**

DATE OF CANCELLATION OF PATENT: 2020 03 11

THE TERM OF RESTORATION OF PATENT VALIDITY HAS EXPIRED: 2021 03 11

(21) AP 2016 14610

(11) P 2019 7051 B

(73) MORPHO B.V.

(54) **METHOD OF PROVIDING AN IMPRINTED SECURITY FEATURE**

DATE OF CANCELLATION OF PATENT: 2020 03 22

THE TERM OF RESTORATION OF PATENT VALIDITY HAS EXPIRED: 2021 03 22

(21) AP 2004 9018

(11) P 2008 4405 B

(73) BASF AKTIENGESELLSCHAFT

(54) **HERBICIDAL MIXTURES COMPRISING A SAFENER**

DATE OF CANCELLATION OF PATENT: 2020 03 10

THE TERM OF RESTORATION OF PATENT VALIDITY HAS EXPIRED: 2021 03 10

EXPIRATION OF TERM OF RESTORATION OF PATENTS

(21) AP 2010 12412

(11) P 2016 6471 B

(73) GREEN SOURCE ENERGY LLC

(54) **INHIBITING CORROSION AND SCALING OF SURFACES CONTACTED BY SULFUR-CONTAINING MATERIALS**

DATE OF CANCELLATION OF PATENT: 2019 03 10

THE TERM OF RESTORATION OF PATENT VALIDITY HAS EXPIRED: 2020 03 10

(21) AP 2009 12413

(11) P 2017 6603 B

(73) GREEN SOURCE ENERGY LLC

(54) **EXTRACTION OF HYDROCARBONS FROM HYDROCARBON-CONTAINING MATERIALS AND/OR PROCESSING OF HYDROCARBON-CONTAINING MATERIALS**

DATE OF CANCELLATION OF PATENT: 2019 03 13

THE TERM OF RESTORATION OF PATENT VALIDITY HAS EXPIRED: 2020 03 13

(21) AP 2014 13409

(11) P 2015 6387 B

(73) Giorgi Lekvinadze

(54) **HYDRO POWER PLANT**

DATE OF CANCELLATION OF PATENT: 2019 03 05

THE TERM OF RESTORATION OF PATENT VALIDITY HAS EXPIRED: 2020 03 05

(21) AP 2015 13758

(11) P 2018 6801 B

(73) Shota Tserodze;

Julian Bernard Santiago Provald;

Giovanni-Lorenzo Sciallino;

Elguja Medzmariashvili;

Nodar Tsignadze;

Malkhaz Nikoladze

(54) **COSMIC REFLECTOR MECHANICAL HUST AND UNFOLDING METHOD THEREOF**

DATE OF CANCELLATION OF PATENT: 2019 03 11

THE TERM OF RESTORATION OF PATENT VALIDITY HAS EXPIRED: 2020 03 11

(21) AP 2007 9927

(11) P 2008 4574 B

(73) Marina Shaduri

(54) **DEVICE FOR GAS-DISCHARGE SURVEY FOR DETECTION OF MALIGNANT PROCESSES IN LIVING ORGANISMS**

DATE OF CANCELLATION OF PATENT: 2019 03 16

THE TERM OF RESTORATION OF PATENT VALIDITY HAS EXPIRED: 2020 03 16

EXPIRATION OF PATENTS

(21) AP 2009 11316
(11) P 2010 1592 B
(73) LTD "Aversi-Rational"
(54) **ANBER TABLET**
DATE OF EXPIRATION OF PATENT: 17 06 2019

(21) AP 2009 11356
(11) P 2010 1593 B
(73) LTD "Aversi-Rational"
(54) **SALBESAN CREAM**
DATE OF EXPIRATION OF PATENT: 08 07 2019

(21) AP 2009 11382
(11) P 2012 1737 B
(73) Eter Kemertelidze
(54) **OBTAINING METHOD OF CHOLAGOGUE AND HEPATOPROTECTIVE PLANT DRUGS FROM CHRIST'S-THORN – PALIURUS SPINA-CHRISTI FRUITS**
DATE OF EXPIRATION OF PATENT: 22 07 2019

(21) AP 2009 11383
(11) P 2010 1599 B
(73) LTD "Aversi-Rational"
(54) **ENZAL-D CAPSULE**
DATE OF EXPIRATION OF PATENT: 22 07 2019

(21) AP 2009 11418
(11) P 2010 1613 B
(73) Badri Gedenidze;
Edgar Khubuluri
(54) **CONTROL DEVICE FOR DOUBLE-SPEED LIFT**
DATE OF EXPIRATION OF PATENT: 13 08 2019

(21) AP 1999 5184
(11) P 2002 2669 B
(73) Teijin Limited (JP)
(54) **PHARMACEUTICAL COMPOSITION FOR APPLICATION TO MUCOSA**
DATE OF EXPIRATION OF PATENT: 21 04 2019

(21) AP 2000 5227
(11) P 2002 2676 B
(73) F. Hoffmann-La Roche AG
(54) **4-PHENYL-PYRIDINE DERIVATIVES, METHOD FOR THEIR PRODUCTION AND THEIR USE FOR TREATMENT OF DISORDERS CAUSED BY ANTAGONIST OF NK-1 RECEPTORS**
DATE OF EXPIRATION OF PATENT: 21 02 2020

(21) AP 1999 5371
(11) P 2004 3354 B
(73) Pharmacia & Upjohn AB

(54) **THERAPEUTIC FORMULATION FOR ADMINISTERING TOLTERODINE WITH CONTROLLED RELEASE**

DATE OF EXPIRATION OF PATENT: 26 08 2019

(21) AP 1999 5492

(11) P 2002 2784 B

(73) G. D. Searle & Co. (US)

(54) **CELECOXIB COMPOSITION**

DATE OF EXPIRATION OF PATENT: 30 11 2019

(21) AP 1999 5675

(11) P 2003 3079 B

(73) Wyeth

(54) **PHARMACEUTICAL COMPOSITIONS FOR TREATMENT OF DISEASES CAUSED BY ESTROGENS DEFICIENCY**

DATE OF EXPIRATION OF PATENT: 11 05 2019

(21) AP 1999 5853

(11) P 2003 3062 B

(73) Orion Corporation

(54) **PHARMACEUTICAL COMPOSITION COMPRISING ENTACAPONE OR NITECAPONE AND CROSS-LINKED CELLULOSE DERIVATIVE**

DATE OF EXPIRATION OF PATENT: 13 09 2019

(21) AP 1999 5939

(11) P 2002 2833 B

(73) Pharmacia AB (SE)

(54) **NEW CONTROLLED RELEASE BEAD, METHOD OF PRODUCING THE SAME AND MULTIPLE UNIT FORMULATION COMPRISING IT**

DATE OF EXPIRATION OF PATENT: 11 11 2019

(21) AP 1999 5958

(11) P 2003 3131 B

(73) Pfizer Inc.

(54) **AZABICYCLOALKANES AS CCR5 MODULATORS, PHARMACEUTICAL COMPOSITIONS CONTAINING THE SAME AND THEIR USE FOR TREATMENT AND PREVENTION OF DISEASES CAUSED BY CCR5 ACTIVITY**

DATE OF EXPIRATION OF PATENT: 23 12 2019

(21) AP 1999 6003

(11) P 2004 3412 B

(73) Tronox LLC

(54) **METHOD OF PRODUCING ELECTROLYTIC MANGANESE DIOXIDE**

DATE OF EXPIRATION OF PATENT: 20 12 2019

(21) AP 1999 6079

(11) P 2005 3501 B

(73) LES LABORATOIRES SERVIER

(54) **CORE TABLET FOR CONTROLLED RELEASE OF GLICLAZIDE AFTER ORAL ADMINISTRATION**

DATE OF EXPIRATION OF PATENT: 15 10 2019

(21) AP 2007 9907
(11) P 2008 1441 B
(73) LTD "Aversi-Rational"
(54) **PHARMACEUTICAL COMPOSITION – "TABLETS MELON"**
DATE OF EXPIRATION OF PATENT: 02 03 2017

CHANGES OF NAMES AND/OR ADDRESSES OF PATENTOWNER

(21) AP 2017 14457
(11) P 2018 6935 B
(54) **DEVICE FOR SURGICAL FOOTBED RELIEF DETERMINATION**
NEW OWNER AND ADDRESS: Merab Shalamberidze (GE)
Rodzevich St. 8/2, Kutaisi, Georgia (GE);
Akaki Tsereteli State University (GE)
Tamar Mepe St. 59, 4600, Kutaisi, Georgia (GE);
LEPL Shota Rustaveli Georgian National Science Foundation (GE)
M. Aleksidze St. 1, 0193, Tbilisi, Georgia (GE)
FORMER OWNER AND ADDRESS: Akaki Tsereteli State University (GE)
Tamar Mepe St. 59, 4600, Kutaisi, Georgia (GE);
Merab Shalamberidze (GE)
Rodzevich St. 8/2, Kutaisi, Georgia (GE)
DATE OF REGISTRY: 24 03 2020

UTILITY MODELS

EXPIRATION OF PATENT RESTORATION

(21) AU 2011 12134
(11) U 2012 1727 Y
(73) Vili Pachkoria
(54) **DISPOSABLE HYGIENIC BEDDING FOR WC SCAT**
DATE OF CANCELLATION OF PATENT: 2020 03 10
PATENT RESTRICTION DATE: 2020 04 10

ABOLITION OF PATENT WITH THE RIGHT TO RESTORE

(21) AU 2011 12134
(11) U 2012 1727 Y
(73) Vili Pachkoria
(54) **DISPOSABLE HYGIENIC BEDDING FOR WC SCAT**
DATE OF CANCELLATION OF PATENT: 2020 03 10
THE TERM OF RESTORATION OF PATENT VALIDITY HAS EXPIRED: 2022 03 10

EXPIRATION OF TERM OF RESTORATION OF PATENTS

(21) AU 2010 11720

(11) U 2011 1662 Y

(73) LTD "Aversi-Rational"

(54) **THERAPEUTIC COMBINATION "ULTSERONI" FOR TREATMENT OF GASTROINTESTINAL DISEASES CAUSED BY HELICOBACTER PYLORI**

DATE OF CANCELLATION OF PATENT: 2019 03 11

THE TERM OF RESTORATION OF PATENT VALIDITY HAS EXPIRED: 2020 03 11

(21) AU 2015 13762

(11) U 2015 1880 Y

(73) Zurab Jokharidze;

Naira Jokharidze;

Sopho Kolomikov

(54) **THERMO-HYGROMETER**

DATE OF CANCELLATION OF PATENT: 2019 03 12

THE TERM OF RESTORATION OF PATENT VALIDITY HAS EXPIRED: 2020 03 12

(21) AU 2015 13768

(11) U 2016 1908 Y

(73) Razhden Kirvalidze

(54) **METHOD FOR PRODUCTION OF SOAP PREVENTING FALLING HAIR, DANDRUFF AND ACNE**

DATE OF CANCELLATION OF PATENT: 2019 03 24

THE TERM OF RESTORATION OF PATENT VALIDITY HAS EXPIRED: 2020 03 24

(21) AU 2017 14451

(11) U 2018 1965 Y

(73) Konstantine Mchedlishvili;

David Gegeshidze

(54) **FACILITY FOR RECEIVING COINS WITH PROTECTING MEANS FROM KNAVISH ACTIONS**

DATE OF CANCELLATION OF PATENT: 2019 03 15

THE TERM OF RESTORATION OF PATENT VALIDITY HAS EXPIRED: 2020 03 15

DESIGNS

EXTENSION OF REGISTRATION OF DESIGNS

(11) D 2015 658 S

(73) Leonid Ezik (GE)

Vill. Khutsubani (LTD "LEGI"), 6200 Kobuleti, Georgia (GE)

(54) **FACING CONCRETE TILE**

(28) 1

(24) 2015 06 23

(18) 2025 06 23

(58) 2020 04 01

(11) D 2015 633 S

(73) LEXBURY EXPERTS LLP (GB)

Darkes Lane 175 - Suite B, 2nd floor, POTTERS BAR, HERTFORDSHIRE, ENGLAND, EN6 1BW (GB)

(54) **LABEL**

(28) 1

(24) 2015 06 25

(18) 2025 06 25

(58) 2020 03 31

CANCELLATION OF DESIGN REGISTRATION

(11) D 2010 416 S

(73) SICHUAN WENJUN SPIRITS COMPANY LIMITED (CN)

No 33, East Ring Road, Linqiong Town, Qionglai City, Chengdu City, Sichuan Province, P.R. (CN)

(54) **BOTTLE WITH STOPPER**

(18) 2019 09 18

(58) 2020 04 02

EXTENSION OF REGISTRATION OF INTERNATIONAL DESIGNS

(11) DM/65074

(73) SWATCH AG (SWATCH SA) (SWATCH LTD.)

94, Rue Jakob Stämpfli BIENNE CH-2502 (CH)

(15) 2004 02 26

(24) 2004 02 26

(18) 2024 02 26

(28) 7

(28') 7

(54) Wristwatches

(11) DM/65119

(73) SWATCH AG (SWATCH SA) (SWATCH LTD.)

94, Rue Jakob Stämpfli BIENNE CH-2502 (CH)

(15) 2004 03 17

(24) 2004 03 17

(18) 2024 03 17
(28) 2
(28') 2
(54) Wristwatches

(11) DM/65122

(73) SEPHORA Société Anonyme
65, Avenue Edouard Vaillant BOULOGNE BILLANCOURT F-92100 (FR)
(15) 2004 03 05
(24) 2004 03 05
(18) 2024 03 05
(28) 1
(28') 1
(54) Small bottle for toiletry product

(11) DM/65133

(73) SWATCH AG (SWATCH SA) (SWATCH LTD.)
94, Rue Jakob Stämpfli BIENNE CH-2502 (CH)
(15) 2004 03 09
(24) 2004 03 09
(18) 2024 03 09
(28) 3
(28') 3
(54) Wristwatches

(11) DM/65153

(73) SWATCH AG (SWATCH SA) (SWATCH LTD.)
94, Rue Jakob Stämpfli, CH-2502 BIENNE (CH)
(15) 2004 03 22
(24) 2004 03 22
(18) 2024 03 22
(28) 2
(28') 1
(54) Wristwatches

(11) DM/65160

(73) SWATCH AG (SWATCH SA) (SWATCH LTD.)
94, Rue Jakob Stämpfli, CH-2502 BIENNE (CH)
(15) 2004 03 09
(24) 2004 03 09
(18) 2024 03 09
(28) 1
(28') 1
(54) Wristwatch

(11) DM/65167

(73) MONTRES BREGUET S.A.
CH-1344 L'ABBAYE (CH)
(15) 2004 03 04
(24) 2004 03 04
(18) 2024 03 04
(28) 1

(28') 1
(54) Earrings

(11) DM/65175

(73) MONTRES BREGUET S.A.
CH-1344 L'ABBAYE (CH)

(15) 2004 03 22
(24) 2004 03 22
(18) 2024 03 22
(28) 6
(28') 6
(54) Watches

(11) DM/65284

(73) ZYLISS AG
Schachenweg 24 Lyss CH-3250 (CH)

(15) 2004 04 01
(24) 2004 04 01
(18) 2024 04 01
(28) 1
(28') 1
(54) Corn holder

(11) DM/65347

(73) SWATCH AG (SWATCH SA) (SWATCH LTD.)
94, Rue Jakob Stämpfli BIENNE CH-2502 (CH)

(15) 2004 04 29
(24) 2004 04 29
(18) 2024 04 29
(28) 1
(28') 1
(54) Wristwatch

(11) DM/65370

(73) SWATCH AG (SWATCH SA) (SWATCH LTD.)
94, Rue Jakob Stämpfli BIENNE CH-2502 (CH)

(15) 2004 05 12
(24) 2004 05 12
(18) 2024 05 12
(28) 1
(28') 1
(54) Wristwatch

(11) DM/65395

(73) SWATCH AG (SWATCH SA) (SWATCH LTD.)
94, Rue Jakob Stämpfli BIENNE CH-2502 (CH)

(15) 2004 05 18
(24) 2004 05 18
(18) 2024 05 18
(28) 2
(28') 2
(54) Wristwatches

(11) DM/65439

(73) Gerolsteiner Brunnen GmbH & Co. KG

Vulkanring Gerolstein 54567 (DE)

(15) 2004 05 26

(24) 2004 05 26

(18) 2024 05 26

(28) 1

(28') 1

(54) Bottle

(11) DM/71369

(73) SWATCH AG (SWATCH SA)(SWATCH LTD)

Jakob-Stämpfli-Strasse 94, CH-2502 BIEL/BIENNE (CH)

(15) 2009 02 18

(24) 2009 02 18

(18) 2024 02 18

(28) 8

(28') 1

(54) Wristwatches

(11) DM/71415

(73) OMEGA SA (OMEGA AG) (OMEGA LTD.)

Jakob-Stämpfli-Strasse 96, CH-2502 Biel/Bienne (CH)

(15) 2009 03 02

(24) 2009 03 02

(18) 2024 03 02

(28) 2

(28') 2

(54) Dial, Wristwatch

TRADEMARKS

RENEWAL OF REGISTRATIONS

(111) M 2000 13227 R2 (156) 2000 04 14 (186) 2030 04 14 (732) SANTEN PHARMACEUTICAL CO., LTD 4-20 Ofuka-cho, Kita-ku, Osaka-shi, Osaka, 530-8552, Japan	3800 West 143rd St., Cleveland, Ohio 44111, USA
(111) M 2000 13182 R2 (156) 2000 03 29 (186) 2030 03 29 (732) BARRY CALLEBAUT AG Westpark, Pfingstweidstrasse 60, CH-8005 Zurich, Switzerland	(111) M 2010 20249 R1 (156) 2010 02 15 (186) 2030 02 15 (732) PPG INDUSTRIES OHIO INC. 3800 West 143rd St., Cleveland, Ohio 44111, USA
(111) M 1999 12654 R2 (156) 1999 08 24 (186) 2029 08 24 (732) HUGHES NETWORK SYSTEMS LLC 11717 Exploration Lane, Germantown, MD 20876, USA	(111) M 2010 20374 R1 (156) 2010 04 15 (186) 2030 04 15 (732) STMicroelectronics International N.V. Schiphol Boulevard 265, 1118 BH Schiphol, Netherlands
(111) M 2000 13248 R2 (156) 2000 04 21 (186) 2030 04 21 (732) VIAN LTD Bratya Buston Blvd. N.27, Building 40, Entrance A, Aptment 43, Sofia, Bulgaria	(111) M 2010 20308 R1 (156) 2010 03 15 (186) 2030 03 15 (732) JSC "AB INBEV EFES" Ul. Moskovskaya, d. 28, g. Klin, 141 601, Moskovskaya Oblast, Russian Federation
(111) M 2000 13107 R2 (156) 2000 01 31 (186) 2030 01 31 (732) FISHER SCIENTIFIC COMPANY LLC a Delaware Limited Liability Company Liberty Lane, Hampton, New Hampshire 03842, USA	(111) M 2010 20502 R1 (156) 2010 05 27 (186) 2030 05 27 (732) SANOVEL ILAC SANAYI VE TICARET ANONIM SIRKETI Buyukdere Cad. Dereboyu Sk. Zagra Is Merkezi C blok 34398 Maslak - Istanbul, Turkey
(111) M 2010 20865 R1 (156) 2010 10 25 (186) 2030 10 25 (732) JSC "AB INBEV EFES" Ul. Moskovskaya, d. 28, g. Klin, 141 601, Moskovskaya Oblast, Russian Federation	(111) M 2010 20503 R1 (156) 2010 05 27 (186) 2030 05 27 (732) SANOVEL ILAC SANAYI VE TICARET ANONIM SIRKETI Buyukdere Cad. Dereboyu Sk. Zagra Is Merkezi C blok 34398 Maslak - Istanbul, Turkey
(111) M 2010 20280 R1 (156) 2010 02 26 (186) 2030 02 26 (732) PPG INDUSTRIES OHIO INC.	(111) M 2010 20504 R1 (156) 2010 05 27 (186) 2030 05 27 (732) SANOVEL ILAC SANAYI VE TICARET ANONIM SIRKETI

Buyukdere Cad. Dereboyu Sk. Zagra Is
Merkezi C blok 34398 Maslak - Istanbul,
Turkey

(111) M 2010 20515 R1
(156) 2010 05 27
(186) 2030 05 27
(732) SHERATON INTERNATIONAL IP, LLC
One StarPoint, Stamford, Connecticut
06902, USA

(111) M 2010 20613 R1
(156) 2010 07 26
(186) 2030 07 26
(732) PwC Business Trust (a Delaware Business
Trust)
300 Medison Avenue, New-York, New-York
10017, USA

(111) M 2010 20883 R1
(156) 2010 11 03
(186) 2030 11 03
(732) PwC Business Trust (a Delaware Business
Trust)
300 Medison Avenue, New-York, New-York
10017, USA

(111) M 2010 20622 R1
(156) 2010 07 26
(186) 2030 07 26
(732) Promat Research and Technology Centre NV
Bormstraat 24, B-2830 Willebroek, Belgium

COMPLETE TRANSFER OF RIGHTS

(111) M 1999 12654 R
(732) HUGHES NETWORK SYSTEMS, LLC
11717 Exploration Lane, Germantown,
MD 20876, USA
(770) HUGHES ELECTRONICS CORPORATION
2250 East Imperial Highway, El Segundo,
California, 90245, USA

(111) M 2010 20865 R
(732) JSC "AB INBEV EFES"
Ul. Moskovskaya, d. 28, g. Klin, 141 601,
Moskovskaya Oblast, Russian Federation
(770) JSC "BREWERY MOSCOW-EFES"
St. Podolsky Cadets, d.15B, RU-117546
Moscow, Russian Federation
(580) 23 03 2020

(111) M 2010 20308 R
(732) JSC "AB INBEV EFES"
Ul. Moskovskaya, d. 28, g. Klin, 141 601,
Moskovskaya Oblast, Russian Federation
(770) JSC "BREWERY MOSCOW-EFES"
St. Podolsky Cadets, d.15B, RU-117546
Moscow, Russian Federation
(580) 23 03 2020

(111) M 2013 24029 R
(732) B&B TRENDS, S.L.
Calle Catalunya 24, Poligono Industrial
CA N'OLLER, 08130 Santa Perpetua de
Mogoda, Barselona, Spain
(770) BSH HAUSGERÄTE GMBH
Carl - Wery - Straße 34, 81739 München,
Germany
(580) 20 03 2020

(111) M 1998 10034 R
(732) POLYTECHNYL
25 rue de Clichy, 75009 Paris, France
(770) RHODIA OPERATIONS
25 rue de Clichy - 75009 PARIS, France
(580) 17 02 2020

(111) M 1996 4092 R
(732) DELIFRANCE S.A.
99 rue Mirabeau, F-94853 Ivry-sur-seine,
France
(770) GRANDS MOULINS DE PARIS S. A.
99, rue Mirabeau, F-94853 Ivry-sur-seine
Cedex, France
(580) 28 02 2020

CHANGES OF NAMES AND/OR ADDRESS OF OWNERS

-
- (111) M 2019 31158 R
(732) JSC "DIGITAL AREA"
D. Aghmashenebeli Av. 79, 0102, Tbilisi,
Georgia
(770) JSC "POLYMATH GROUP"
D. Aghmashenebeli Av. 79, 0102, Tbilisi,
Georgia
(580) 06 03 2020
-
- (111) M 2019 31233 R
(732) JSC "DIGITAL AREA"
D. Aghmashenebeli Av. 79, 0102, Tbilisi,
Georgia
(770) JSC "POLYMATH GROUP"
D. Aghmashenebeli Av. 79, 0102, Tbilisi,
Georgia
(580) 06 03 2020
-
- (111) M 2000 13227 R
(732) SANTEN PHARMACEUTICAL CO., LTD
4-20 Ofuka-cho, Kita-ku, Osaka-shi,
Osaka, 530-8552, Japan
(770) SANTEN PHARMACEUTICAL CO., LTD
9-19, Shimoshinjo 3-chome, Higashiyodoga-
wa-ku, Osaka-fu, 533-8651, Japan
(580) 23 03 2020
-
- (111) M 1999 12654 R
(732) HUGHES ELECTRONICS CORPORATION
2250 East Imperial Highway, El
Segundo, California, 90245, USA
(770) HUGHES ELECTRONICS CORPORATION
200 N.Sepulveda Blvd., El Segundo,
State of California 90245, USA
-
- (111) M 2005 16088 R
(732) LTD "NPO Petrovaks Pharm"
ul. Sosnovaya, d. 1, s. Porkov, Gorod Podolsk,
142143, Moskovskaya oblast, Russian
Federation
(770) LTD "NPO Petrovaks Pharm"
ul. Sosnovaya, d. 1, s. Porkov, Gorod Podolsk,
142143, Moskovskaya oblast, Russian
Federation
(580) 25 03 2020
-
- (111) M 2005 16089 R
(732) LTD "NPO Petrovaks Pharm"
ul. Sosnovaya, d. 1, s. Porkov, Gorod Podolsk,
142143, Moskovskaya oblast, Russian
Federation
- (770) LTD "NPO Petrovaks Pharm"
ul. Sosnovaya, d. 1, s. Porkov, Gorod Podolsk,
142143, Moskovskaya oblast, Russian
Federation
(580) 25 03 2020
-
- (111) M 2005 16099 R
(732) FMC Agricultural Caribe Industries, LTD
Clarendon House, 2 Church Street, HM11
Hamilton, Bermuda
(770) DuPont Agricultural Caribe Industries, LTD
Clarendon House, 2 Church Street, HM11
Hamilton, Bermuda
(580) 13 03 2020
-
- (111) M 2006 16431 R
(732) FMC Agricultural Caribe Industries, LTD
Clarendon House, 2 Church Street, HM11
Hamilton, Bermuda
(770) DuPont Agricultural Caribe Industries, LTD
Clarendon House, 2 Church Street, HM11
Hamilton, Bermuda
(580) 13 03 2020
-
- (111) M 2006 16464 R
(732) FMC Agricultural Caribe Industries, LTD
Clarendon House, 2 Church Street, HM11
Hamilton, Bermuda
(770) DuPont Agricultural Caribe Industries, LTD
Clarendon House, 2 Church Street, HM11
Hamilton, Bermuda
(580) 13 03 2020
-
- (111) M 2006 16466 R
(732) FMC Agricultural Caribe Industries, LTD
Clarendon House, 2 Church Street, HM11
Hamilton, Bermuda
(770) DuPont Agricultural Caribe Industries, LTD
Clarendon House, 2 Church Street, HM11
Hamilton, Bermuda
(580) 13 03 2020
-
- (111) M 2006 16469 R
(732) FMC Agricultural Caribe Industries, LTD
Clarendon House, 2 Church Street, HM11
Hamilton, Bermuda
(770) DuPont Agricultural Caribe Industries, LTD
Clarendon House, 2 Church Street, HM11
Hamilton, Bermuda
(580) 13 03 2020
-

(111) M 2006 16617 R
(732) FMC Agricultural Caribe Industries Ltd
Clarendon House, 2 Church Street, HM11
Hamilton, Bermuda
(770) DuPont Agricultural Caribe Industries Ltd
Clarendon House, 2 Church Street, HM11
Hamilton, Bermuda
(580) 13 03 2020

(111) M 1996 3345 R
(732) Azzaro Beaute SAS
49 avenue de l'Opera, 75002, Paris, France
(770) Loris Azzaro B.V.
Kanaalpad 61, 7321 AN Apeldoorn,
Netherlands
(580) 16 03 2020

(111) M 1997 7335 R
(732) Azzaro Beaute SAS
49 avenue de l'Opera, 75002, Paris, France
(770) Loris Azzaro B.V.
Kanaalpad 61, 7321 AN Apeldoorn,
Netherlands
(580) 16 03 2020

(111) M 2018 29581 R
(732) FMC Agricultural Caribe Industries Ltd
Clarendon House, 2 Church Street, HM11
Hamilton, Bermuda
(770) DuPont Agricultural Caribe Industries Ltd
Clarendon House, 2 Church Street, HM11
Hamilton, Bermuda
(580) 13 03 2020

(111) M 2018 29582 R
(732) FMC Agricultural Caribe Industries Ltd
Clarendon House, 2 Church Street, HM11
Hamilton, Bermuda
(770) DuPont Agricultural Caribe Industries Ltd
Clarendon House, 2 Church Street, HM11
Hamilton, Bermuda
(580) 13 03 2020

(111) M 2018 29805 R
(732) FMC Agricultural Caribe Industries Ltd
Clarendon House, 2 Church Street, HM11
Hamilton, Bermuda
(770) DuPont Agricultural Caribe Industries Ltd
Clarendon House, 2 Church Street, HM11
Hamilton, Bermuda
(580) 13 03 2020

(111) M 2018 29806 R
(732) FMC Agricultural Caribe Industries Ltd
Clarendon House, 2 Church Street, HM11
Hamilton, Bermuda
(770) DuPont Agricultural Caribe Industries Ltd
Clarendon House, 2 Church Street, HM11
Hamilton, Bermuda
(580) 13 03 2020

(111) M 2018 29807 R
(732) FMC Agricultural Caribe Industries, LTD
Clarendon House, 2 Church Street, HM11
Hamilton, Bermuda
(770) DuPont Agricultural Caribe Industries Ltd
Clarendon House, 2 Church Street, HM11
Hamilton, Bermuda
(580) 13 03 2020

(111) M 2018 30140 R
(732) JSC "DIGITAL AREA"
D. Aghmashenebeli Av. 79, 0102, Tbilisi,
Georgia
(770) JSC "POLYMATH GROUP"
D. Aghmashenebeli Av. 79, 0102, Tbilisi,
Georgia
(580) 06 03 2020

TERMINATION OF TRADEMARKS REGISTRATIONS

(111) M 2009 19642 R
(151) 2009 09 08
(732) DR. REDDY'S LABORATORIES LTD
7-1-27, Ameerpet, Hyderabad - 500016, India
(141) 2020 03 23

(111) M 2009 19643 R
(151) 2009 09 08
(732) DR. REDDY'S LABORATORIES LTD
7-1-27, Ameerpet, Hyderabad - 500016, India
(141) 2020 03 23

(111) M 2009 19644 R
(151) 2009 09 08
(732) DR. REDDY'S LABORATORIES LTD
7-1-27, Ameerpet, Hyderabad - 500016, India
(141) 2020 03 23

(111) M 2009 19645 R
(151) 2009 09 08
(732) DR. REDDY'S LABORATORIES LTD
7-1-27, Ameerpet, Hyderabad - 500016, India
(141) 2020 03 23

(111) M 2009 19646 R
(151) 2009 09 08
(732) DR. REDDY'S LABORATORIES LTD
7-1-27, Ameerpet, Hyderabad - 500016, India
(141) 2020 03 23

(111) M 2009 19647 R
(151) 2009 09 08
(732) DR. REDDY'S LABORATORIES LTD
7-1-27, Ameerpet, Hyderabad - 500016, India
(141) 2020 03 23

(111) M 2009 19648 R
(151) 2009 09 08
(732) DR. REDDY'S LABORATORIES LTD
7-1-27, Ameerpet, Hyderabad - 500016, India
(141) 2020 03 23

(111) M 2009 19649 R
(151) 2009 09 08
(732) DR. REDDY'S LABORATORIES LTD
7-1-27, Ameerpet, Hyderabad - 500016, India
(141) 2020 03 23

(111) M 2009 19650 R
(151) 2009 09 08
(732) DR. REDDY'S LABORATORIES LTD
7-1-27, Ameerpet, Hyderabad - 500016, India
(141) 2020 03 23

(111) M 2009 19651 R
(151) 2009 09 08
(732) DR. REDDY'S LABORATORIES LTD
7-1-27, Ameerpet, Hyderabad - 500016, India
(141) 2020 03 23

(111) M 2009 19652 R
(151) 2009 09 08
(732) DR. REDDY'S LABORATORIES LTD
7-1-27, Ameerpet, Hyderabad - 500016, India
(141) 2020 03 23

(111) M 2009 19653 R
(151) 2009 09 08
(732) DR. REDDY'S LABORATORIES LTD
7-1-27, Ameerpet, Hyderabad - 500016, India
(141) 2020 03 23

(111) M 2009 19655 R
(151) 2009 09 08
(732) BAYER CONSUMER CARE AG
Peter Merian-Str. 84, 4052 Basel, Switzerland
(141) 2020 03 23

(111) M 2009 19656 R
(151) 2009 09 08
(732) JSC "OLAINPHARM"
St. Rupnitsu 5, LV-2114, Olaine, Latvia
(141) 2020 03 23

(111) M 2009 19739 R
(151) 2009 09 11
(732) NINO KHUNDADZE
Inguri St. 3, ap. 12, 0171, Tbilisi, Georgia
(141) 2020 03 26

(111) M 2009 19740 R
(151) 2009 09 11
(732) Nebankovskaya Kreditnaya Organizatsiya
Ktsionernoe Obshchestvo "LEADER"
2-nd Novopodmoskowny per. 8, 125130,
Moskow, Russian Federation
(141) 2020 03 26

-
- (111) M 2009 19657 R
(151) 2009 09 08
(732) WM. WRIGLEY JR. COMPANY
410 North Michigan Avenue, Chicago,
Illinois 60611, USA
(141) 2020 03 23
-
- (111) M 2009 19658 R
(151) 2009 09 08
(732) WM. WRIGLEY JR. COMPANY
410 North Michigan Avenue, Chicago,
Illinois 60611, USA
(141) 2020 03 23
-
- (111) M 2009 19741 R
(151) 2009 09 11
(732) ALIOSHA BAKURIDZE
Janashia St. 30/55, 0179, Tbilisi , Georgia
(141) 2020 03 26
-
- (111) M 2009 19659 R
(151) 2009 09 08
(732) LTD "GLOBAL IDEA"
Tkhinvali St. 9/7, 0108, Tbilisi, Georgia
(141) 2020 03 23
-
- (111) M 2009 19660 R
(151) 2009 09 08
(732) LTD "GLOBAL IDEA"
Tkhinvali Str. 9/7, 0108, Tbilisi, Georgia
(141) 2020 03 23
-
- (111) M 2009 19662 R
(151) 2009 09 08
(732) IPEK KAĞIT SANAYI VE TICARET
ANONİM ŞİRKETİ
Kanyon Ofis Büyükdere Cad. N185, Levent
İstanbul/, Turkey
(141) 2020 03 23
-
- (111) M 2009 19663 R
(151) 2009 09 08
(732) IPEK KAĞIT SANAYI VE TICARET
ANONİM ŞİRKETİ
Kanyon Ofis Büyükdere Cad. N185, Levent
İstanbul/, Turkey
(141) 2020 03 23
-
- (111) M 2009 19664 R
(151) 2009 09 08
(732) IPEK KAĞIT SANAYI VE TICARET
ANONİM ŞİRKETİ
Kanyon Ofis Büyükdere Cad. N185, Levent
İstanbul/, Turkey
(141) 2020 03 23
-
- (111) M 2009 19665 R
(151) 2009 09 08
(732) IPEK KAĞIT SANAYI VE TICARET
ANONİM ŞİRKETİ
Kanyon Ofis Büyükdere Cad. N185, Levent
/İstanbul/, Turkey
(141) 2020 03 23
-
- (111) M 2009 19666 R
(151) 2009 09 08
(732) R.C.S. Periodici S.p.A.
Via A. Rizzoli, 8-20132 MILANO, Italy
(141) 2020 03 23
-
- (111) M 2009 19679 R
(151) 2009 09 08
(732) LTD "INTERPLAST"
Didi Lilo, 0104, Tbilisi, Georgia
(141) 2020 03 23
-
- (111) M 2009 19680 R
(151) 2009 09 08
(732) LTD "INTERPLAST"
Didi Lilo, 0104, Tbilisi, Georgia
(141) 2020 03 23
-
- (111) M 2009 19681 R
(151) 2009 09 08
(732) LTD "INTERPLAST"
Didi Lilo, 0104, Tbilisi, Georgia
(141) 2020 03 23
-
- (111) M 2009 19744 R
(151) 2009 09 11
(732) MEGA LAIFESCIENCES PTY LIMITED
120 Moo 11, Asia Center Building, 9 th Floor,
Bangna-Trad Road, Bangna Subdistrict,
Bangna District, Bangkok 12060, Thailand
(141) 2020 03 26
-
- (111) M 2009 19682 R
(151) 2009 09 08
(732) DUNHILL TOBACO OF LONDON
LIMITED
Globe House, 4 Temple Place, London
WC2R 2PG, United Kingdom
(141) 2020 03 23
-

(111) M 2009 19684 R
(151) 2009 09 08
(732) GENERAL MOTORS LLC
300 Renaissance Center, City of Detroit,
State of Michigan 48265-3000, USA
(141) 2020 03 23

(111) M 2009 19685 R
(151) 2009 09 08
(732) GENERAL MOTORS LLC
300 Renaissance Center, City of Detroit,
State of Michigan 48265-3000, USA
(141) 2020 03 23

(111) M 2009 19686 R
(151) 2009 09 08
(732) GENERAL MOTORS LLC
300 Renaissance Center, City of Detroit,
State of Michigan 48265-3000, USA
(141) 2020 03 23

(111) M 2009 19690 R
(151) 2009 09 08
(732) DAW SE
Rossdorfer Strasse 50, D-64372 Ober-
Ramstadt, Germany
(141) 2020 03 23

(111) M 2009 19748 R
(151) 2009 09 11
(732) LTD "GEORGIAN-KOREAN
PHARMATSEUTICAL COMPANY"
Vagzali St. 15a, 0112, Tbilisi, Georgia
(141) 2020 03 26

(111) M 2009 19749 R
(151) 2009 09 11
(732) MEGA LAIFESCIENCES PTY LIMITED
120 Moo 11, Asia Center Building, 9 th Floor,
Bangna-Trad Road, Bangna Subdistrict,
Bangna District, Bangkok 12060, Thailand
(141) 2020 03 26

(111) M 2009 19750 R
(151) 2009 09 11
(732) MEGA LAIFESCIENCES PTY LIMITED
120 Moo 11, Asia Center Building, 9 th Floor,
Bangna-Trad Road, Bangna Subdistrict,
Bangna District, Bangkok 12060, Thailand
(141) 2020 03 26

(111) M 2009 19751 R
(151) 2009 09 11
(732) MEGA LAIFESCIENCES PTY LIMITED
120 Moo 11, Asia Center Building, 9 th Floor,
Bangna-Trad Road, Bangna Subdistrict,
Bangna District, Bangkok 12060, Thailand
(141) 2020 03 26

(111) M 2009 19752 R
(151) 2009 09 11
(732) MEGA LAIFESCIENCES PTY LIMITED
120 Moo 11, Asia Center Building, 9 th Floor,
Bangna-Trad Road, Bangna Subdistrict,
Bangna District, Bangkok 12060, Thailand
(141) 2020 03 26

(111) M 2009 19753 R
(151) 2009 09 11
(732) MEGA LAIFESCIENCES PTY LIMITED
120 Moo 11, Asia Center Building, 9 th Floor,
Bangna-Trad Road, Bangna Subdistrict,
Bangna District, Bangkok 12060, Thailand
(141) 2020 03 26

(111) M 2009 19695 R
(151) 2009 09 08
(732) "CAPITAL HOLDING" LTD
University St. 3, 0177 Tbilisi , 0177, Georgia
(141) 2020 03 23

(111) M 2009 19710 R
(151) 2009 09 08
(732) LTD "HIPOKRATE"
Panaskerteli St., korp. 1, ap. 50, 0194,
Tbilisi, Georgia
(141) 2020 03 23

(111) M 2009 19756 R
(151) 2009 09 11
(732) R & A BAILEY & Co
Nangor House, Western Estate, Dublin 12,
Ireland
(141) 2020 03 26

(111) M 2009 19712 R
(151) 2009 09 08
(732) DR. REDDY'S LABORATORIES LTD
7-1-27, Ameerpet, Hyderabad - 500016, India
(141) 2020 03 23

(111) M 2009 19757 R
(151) 2009 09 11
(732) ABDI İBRAHİM İLAÇ SANAYİ VE
TİCARET ANONİM ŞİRKETİ
Reşitpaşa Mahallesi Eski Büyükdere
Caddesi No: 4, 34467 Maslak-Sarıyer-
İstanbul, Turkey
(141) 2020 03 26

(111) M 2009 19758 R
(151) 2009 09 11
(732) SIM S.A.S.
139 rue del la bele etuali, zaq pari nord II,
95948 ruasi sharl de goli, France
(141) 2020 03 26

(111) M 2009 19715 R
(151) 2009 09 08
(732) HAMİD SHARIATI
Marjvena Sanapiro 2a, ap. 53, 0105, Tbilisi,
Georgia
(141) 2020 03 23

(111) M 2009 19762 R
(151) 2009 09 11
(732) SCHWARZ PHARMA AG
Alfred-Nobel-Strasse 10, D-40789 Monheim,
Germany
(141) 2020 03 26

(111) M 2009 19716 R
(151) 2009 09 08
(732) BRITISH AMERICAN TOBACCO
(BRANDS) INC. (a Delaware corporation)
251 Little Falls Drive, Suite 100, Delaware,
19808-1674, Wilmington, USA
(141) 2020 03 23

(111) M 2009 19763 R
(151) 2009 09 11
(732) MARS, INCORPORATED
6885 ELM Street, McLean, Virginia
22101-3883, USA
(141) 2020 03 26

(111) M 2009 19717 R
(151) 2009 09 08
(732) EYGN Limited, Bahams corporation
One Montague Place, East Bay Street,
Nassau, Bahamas
(141) 2020 03 23

(111) M 2009 19720 R
(151) 2009 09 08
(732) LTD "WINEMAKING KHAREBA"
D. Aghmashenebel Alley 6 km., 0131, Tbilisi,
Georgia
(141) 2020 03 23

(111) M 2009 19765 R
(151) 2009 09 11
(732) INTERNATIONAL DISTRIBUTION
SYSTEMS LIMITED
Tassou Papadopoulou, 6, Flat/office 22,
Agios Dometios, 2373, Nicosia, Cyprus
(141) 2020 03 26

(111) M 2009 19766 R
(151) 2009 09 11
(732) INTERNATIONAL DISTRIBUTION
SYSTEMS LIMITED
Tassou Papadopoulou, 6, Flat/office 22,
Agios Dometios, 2373, Nicosia, Cyprus
(141) 2020 03 26

(111) M 2009 19770 R
(151) 2009 09 11
(732) HENKEL AG & Co. KgaA
Henkelstrasse 67, 40589 Dusseldorf, Germany
(141) 2020 03 26

(111) M 2009 19771 R
(151) 2009 09 11
(732) The Procter & Gamble Company
One Procter & Gamble Plaza, Cincinnati,
Ohio, USA
(141) 2020 03 26

(111) M 2009 19772 R
(151) 2009 09 11
(732) HENKEL AG & Co. KgaA
Henkelstrasse 67, 40589 Dusseldorf, Germany
(141) 2020 03 26

(111) M 2009 19773 R
(151) 2009 09 11
(732) HENKEL AG & Co. KgaA
Henkelstrasse 67, 40589 Dusseldorf, Germany
(141) 2020 03 26

(111) M 2009 19774 R
(151) 2009 09 11
(732) HENKEL AG & Co. KgaA

Henkelstrasse 67, 40589 Dusseldorf, Germany
(141) 2020 03 26

(111) M 2009 19775 R
(151) 2009 09 11
(732) LTD "Save Frouzen Food-Georgia"
Dzm. Zubalashvilebi St. 41, 0108, Tbilisi,
Georgia
(141) 2020 03 26

(111) M 2009 19776 R
(151) 2009 09 11
(732) INTERVET INTERNATIONAL B.V.
Wim de Körverstraat 35, NL-5831, AN
Boxmeer, Netherlands
(141) 2020 03 26

(111) M 2009 19777 R
(151) 2009 09 11
(732) INTERVET INTERNATIONAL B.V.
Wim de Körverstraat 35, NL-5831, AN
Boxmeer, Netherlands
(141) 2020 03 26

(111) M 2009 19778 R
(151) 2009 09 11
(732) INTERVET INTERNATIONAL B.V.
Wim de Körverstraat 35, NL-5831, AN
Boxmeer, Netherlands
(141) 2020 03 26

(111) M 2009 19779 R
(151) 2009 09 11
(732) INTERVET INTERNATIONAL B.V.
Wim de Körverstraat 35, NL-5831, AN
Boxmeer, Netherlands
(141) 2020 03 26

(111) M 2009 19780 R
(151) 2009 09 11
(732) INTERVET INTERNATIONAL B.V.
Wim de Körverstraat 35, NL-5831, AN
Boxmeer, Netherlands
(141) 2020 03 26

(111) M 2009 19781 R
(151) 2009 09 11
(732) INTERVET INTERNATIONAL B.V.
Wim de Körverstraat 35, NL-5831, AN
Boxmeer, Netherlands
(141) 2020 03 26

(111) M 2009 19782 R
(151) 2009 09 11
(732) INTERVET INTERNATIONAL B.V.
Wim de Körverstraat 35, NL-5831, AN
Boxmeer, Netherlands
(141) 2020 03 26

(111) M 2009 19783 R
(151) 2009 09 11
(732) INTERVET INTERNATIONAL B.V.
Wim de Körverstraat 35, NL-5831, AN
Boxmeer, Netherlands
(141) 2020 03 26

(111) M 2009 19728 R
(151) 2009 09 08
(732) SOIRA INVESTMENTS LIMITED
3076 Sir Francis Drake's Highway, P.O.
Box 3463, Road Town, Tortola, Virgin
Islands (British)
(141) 2020 03 23

(111) M 2009 19730 R
(151) 2009 09 08
(732) SOIRA INVESTMENTS LIMITED
3076 Sir Francis Drake's Highway, P.O.
Box 3463, Road Town, Tortola, Virgin
Islands (British)
(141) 2020 03 23

(111) M 2009 19731 R
(151) 2009 09 08
(732) SOIRA INVESTMENTS LIMITED
3076 Sir Francis Drake's Highway, P.O.
Box 3463, Road Town, Tortola, Virgin
Islands (British)
(141) 2020 03 23

(111) M 2009 19732 R
(151) 2009 09 08
(732) SOIRA INVESTMENTS LIMITED
3076 Sir Francis Drake's Highway, P.O.
Box 3463, Road Town, Tortola, Virgin
Islands (British)
(141) 2020 03 23

(111) M 2009 19734 R
(151) 2009 09 08
(732) CJSC "KREATIV"
Av. Promyshlenny 19, Kirovograd, 25014,
Ukraine
(141) 2020 03 23

(111) M 2009 19786 R
(151) 2009 09 11
(732) SCHWARZ PHARMA AG
Alfred-Nobel-Strasse 10, D-40789 Monheim,
Germany
(141) 2020 03 26

(111) M 2009 19787 R
(151) 2009 09 11
(732) LTD "ALBATROS"
Vill. Mejikhistskali, 6412, Khelvachauri
district, Georgia
(141) 2020 03 26

(111) M 2009 19789 R
(151) 2009 09 11
(732) Schmidt Handelsgesellschaft MBH
Scharfe Lanke 109-131, 13595 Berlin,
Germany
(141) 2020 03 26

(111) M 2009 19791 R
(151) 2009 09 11
(732) GIORGI ADAMIA
Bakhrioni St., korp. 1, ap. 111, 0194, Tbilisi,
Georgia
(141) 2020 03 26

(111) M 2009 19792 R
(151) 2009 09 11
(732) Schwarz Pharma AG
Alfred-Nobel-Strasse 10, D-40789 Monheim,
Germany
(141) 2020 03 26

(111) M 2009 19793 R
(151) 2009 09 11
(732) GALLAHER LIMITED
Members Hili, Bruklendz Roudi, Ueibriji,
Sari, KT13 0QU, United Kingdom
(141) 2020 03 26

(111) M 2009 19775P R
(151) 2009 09 11
(732) LTD "TEREMOK GROUP"
G. Tabidze St. 23/23, Tbilisi, Georgia
(141) 2020 03 26

CLASSIFICATION INDEXES

INVENTIONS

CONCORDANCE TABLE OF INTERNATIONAL CLASSIFICATION INDEX AND PUBLICATION NUMBERS

INTERNATIONAL CLASSIFICATION INDEXES (51)	NUMBER OF PUBLISHED APPLICATION (10)
A 21 D 13/066; A 21 D 13/06; A 23 L 7/10; A 23 L 7/196; A 23 L 5/20; A 23 L 5/30; C 12 C 1/02	AP 2020 14809 A
A 23 L 2/8	AP 2020 14846 A
A 61 K 8/00	AP 2020 14999 A
A 61 K 8/00	AP 2020 15000 A
A 61 K 31/28; A 61 K 31/295; A 61 K 33/24; A 61 K 33/26; A 61 K 47/46; A 61 P 7/06	AP 2020 14318 A
A 61 K 31/79; A 61 K 31/047; A 61 K 31/185; A 61 K 31/167; A 61 K 9/00; A 61 K 9/06; A 61 K 47/42; A 61 K 9/70; A 61 K 31/235; A 61 K 45/06; A 61 K 31/14; A 61 K 31/517; A 61 K 31/10; A 61 P 17/02	AP 2020 15119 A
A 61 K 31/047; A 61 K 9/7007; A 61 K 9/06; A 61 K 9/0014; A 61 K 47/42; A 61 K 38/014; A 61 K 33/38; A 61 K 33/20; A 61 K 31/734; A 61 K 31/498; A 61 K 31/235; A 61 K 31/185; A 61 K 31/167; A 61 K 31/10; A 61 P 17/02	AP 2020 15120 A
A 61 K 31/405; A 61 K 31/506; A 61 K 47/18; A 61 K 38/48; A 61 K 47/02; A 61 K 47/26	AP 2020 14939 A
A 61 P 27/04; A 61 K 9/00; A 61 K 47/36	AP 2020 14947 A
B 61 B 7/00	AP 2020 14915 A
C 04 B 41/00; C 09 D 7/00	AP 2020 14646 A
H 01 L 31/0224	AP 2020 14975 A

CONCORDANCE TABLE OF PUBLICATION NUMBERS AND INTERNATIONAL CLASSIFICATION INDEX

NUMBER OF PUBLISHED APPLICATION (10)	INTERNATIONAL CLASSIFICATION INDEXES (51)
AP 2020 14318 A	A 61 K 31/28; A 61 K 31/295; A 61 K 33/24; A 61 K 33/26; A 61 K 47/46; A 61 P 7/06
AP 2020 14646 A	C 04 B 41/00; C 09 D 7/00
AP 2020 14809 A	A 21 D 13/066; A 21 D 13/06; A 23 L 7/10; A 23 L 7/196; A 23 L 5/20; A 23 L 5/30; C 12 C 1/02
AP 2020 14846 A	A 23 L 2/8
AP 2020 14915 A	B 61 B 7/00
AP 2020 14939 A	A 61 K 31/405; A 61 K 31/506; A 61 K 47/18; A 61 K 38/48; A 61 K 47/02; A 61 K 47/26
AP 2020 14947 A	A 61 P 27/04; A 61 K 9/00; A 61 K 47/36
AP 2020 14975 A	H 01 L 31/0224
AP 2020 14999 A	A 61 K 8/00
AP 2020 15000 A	A 61 K 8/00
AP 2020 15119 A	A 61 K 31/79; A 61 K 31/047; A 61 K 31/185; A 61 K 31/167; A 61 K 9/00; A 61 K 9/06; A 61 K 47/42; A 61 K 9/70; A 61 K 31/235; A 61 K 45/06; A 61 K 31/14; A 61 K 31/517; A 61 K 31/10; A 61 P 17/02
AP 2020 15120 A	A 61 K 31/047; A 61 K 9/7007; A 61 K 9/06; A 61 K 9/0014; A 61 K 47/42; A 61 K 38/014; A 61 K 33/38; A 61 K 33/20; A 61 K 31/734; A 61 K 31/498; A 61 K 31/235; A 61 K 31/185; A 61 K 31/167; A 61 K 31/10; A 61 P 17/02

**CONCORDANCE TABLE OF INTERNATIONAL CLASSIFICATION INDEX,
PATENT NUMBERS AND PUBLICATION NUMBERS**

INTERNATIONAL CLASSIFICATION INDEX (51)	NUMBER OF PATENT (11)	NUMBER OF PUBLISHED APPLICATION (10)
A 01 G 31/00	P 2020 7099 B	AP 2019 14716 A
A 61 K 31/437; A 61 K 13/12; A 61 P 9/10; A 61 K 31/519; C 07 D 471/04; C 07 D 487/04	P 2020 7095 B	AP 2019 14608 A
A 61 K 31/4709; A 61 P 11/06; A 61 P 11/08; C 07 D 401/12; C 07 D 401/14; C 07 D 403/12; C 07 D 453/04; C 07 D 453/02	P 2020 7098 B	AP 2019 14563 A
A 61 K 35/747; A 61 K 35/744; A 61 P 35/00; A 61 P 29/00	P 2020 7089 B	AP 2019 14591 A
A 61 K 36/752; A 61 K 36/61; A 61 K 31/355; A 61 K 36/53; A 61 P 31/10; A 61 P 17/00	P 2020 7094 B	AP 2019 15008 A
A 61 K 47/12; A 61 K 47/28; A 61 K 47/34; A 61 K 9/107; A 61 K 9/51; A 61 K 31/5377	P 2020 7083 B	AP 2019 14297 A
A 61 M 5/315	P 2020 7086 B	AP 2019 14523 A
A 61 P 9/00; A 61 K 31/675; C 07 F 9/6584	P 2020 7092 B	AP 2019 14853 A
B 01 D 47/02	P 2020 7091 B	AP 2019 14659 A
B 61 B 7/00; B 61 B 7/02	P 2020 7088 B	AP 2019 14977 A
B 65 G 25/08	P 2020 7093 B	AP 2019 14843 A
C 07 D 233/86; C 07 D 491/107; A 61 K 31/4188; A 61 K 31/4166; A 61 P 35/00	P 2020 7096 B	AP 2019 14411 A
C 07 F 9/576; A 61 P 19/02; A 61 K 31/675	P 2020 7082 B	AP 2019 14203 A
C 10 G 1/02; C 10 G 1/00; E 21 B 43/00; E 21 B 43/16; E 21 B 43/24	P 2020 7087 B	AP 2019 14738 A
C 22 C 33/02; C 22 C 38/40; F 28 F 19/06; F 28 F 21/08	P 2020 7097 B	AP 2019 14223 A
D 04 B 27/24; D 04 B 21/12	P 2020 7085 B	AP 2019 14795 A
F 02 B 57/00	P 2020 7084 B	AP 2019 14866 A
F 42 B 7/06; F 42 B 77/08	P 2020 7090 B	AP 2019 14636 A

**CONCORDANCE TABLE OF PATENT NUMBERS,
PUBLICATION NUMBERS AND INTERNATIONAL CLASSIFICATION INDEX**

NUMBER OF PATENT (11)	NUMBER OF PUBLISHED APPLICATION (10)	INTERNATIONAL CLASSIFICATION INDEX (51)
1	2	3
P 2020 7082 B	AP 2019 14203 A	C 07 F 9/576; A 61 P 19/02; A 61 K 31/675
P 2020 7083 B	AP 2019 14297 A	A 61 K 47/12; A 61 K 47/28; A 61 K 47/34; A 61 K 9/107; A 61 K 9/51; A 61 K 31/5377
P 2020 7084 B	AP 2019 14866 A	F 02 B 57/00
P 2020 7085 B	AP 2019 14795 A	D 04 B 27/24; D 04 B 21/12
P 2020 7086 B	AP 2019 14523 A	A 61 M 5/315
P 2020 7087 B	AP 2019 14738 A	C 10 G 1/02; C 10 G 1/00; E 21 B 43/00; E 21 B 43/16; E 21 B 43/24
P 2020 7088 B	AP 2019 14977 A	B 61 B 7/00; B 61 B 7/02
P 2020 7089 B	AP 2019 14591 A	A 61 K 35/747; A 61 K 35/744; A 61 P 35/00; A 61 P 29/00
P 2020 7090 B	AP 2019 14636 A	F 42 B 7/06; F 42 B 77/08
P 2020 7091 B	AP 2019 14659 A	B 01 D 47/02

1	2	3
P 2020 7093 B	AP 2019 14843 A	B 65 G 25/08
P 2020 7094 B	AP 2019 15008 A	A 61 K 36/752; A 61 K 36/61; A 61 K 31/355; A 61 K 36/53; A 61 P 31/10; A 61 P 17/00
P 2020 7095 B	AP 2019 14608 A	A 61 K 31/437; A 61 K 13/12; A 61 P 9/10; A 61 K 31/519; C 07 D 471/04; C 07 D 487/04
P 2020 7096 B	AP 2019 14411 A	C 07 D 233/86; C 07 D 491/107; A 61 K 31/4188; A 61 K 31/4166; A 61 P 35/00
P 2020 7097 B	AP 2019 14223 A	C 22 C 33/02; C 22 C 38/40; F 28 F 19/06; F 28 F 21/08
P 2020 7098 B	AP 2019 14563 A	A 61 K 31/4709; A 61 P 11/06; A 61 P 11/08; C 07 D 401/12; C 07 D 401/14; C 07 D 403/12; C 07 D 453/04; C 07 D 453/02
P 2020 7099 B	AP 2019 14716 A	A 01 G 31/00

CONCORDANCE TABLE OF APPLICATION NUMBERS, PUBLICATION NUMBERS
AND PATENTS

NUMBER OF APPLICATION (21)	NUMBER OF PUBLISHED APPLICATION (10)	NUMBER OF PATENT (11)
AP 2014 14203	AP 2019 14203 A	P 2020 7082 B
AP 2014 14223	AP 2019 14223 A	P 2020 7097 B
AP 2015 14297	AP 2019 14297 A	P 2020 7083 B
AP 2015 14411	AP 2019 14411 A	P 2020 7096 B
AP 2015 14523	AP 2019 14523 A	P 2020 7086 B
AP 2016 14563	AP 2019 14563 A	P 2020 7098 B
AP 2016 14591	AP 2019 14591 A	P 2020 7089 B
AP 2016 14608	AP 2019 14608 A	P 2020 7095 B
AP 2015 14636	AP 2019 14636 A	P 2020 7090 B
AP 2015 14659	AP 2019 14659 A	P 2020 7091 B
AP 2018 14716	AP 2019 14716 A	P 2020 7099 B
AP 2016 14738	AP 2019 14738 A	P 2020 7087 B
AP 2016 14795	AP 2019 14795 A	P 2020 7085 B
AP 2018 14843	AP 2019 14843 A	P 2020 7093 B
AP 2017 14853	AP 2019 14853 A	P 2020 7092 B
AP 2018 14866	AP 2019 14866 A	P 2020 7084 B
AP 2018 14977	AP 2019 14977 A	P 2020 7088 B
AP 2017 15008	AP 2019 15008 A	P 2020 7094 B

UTILITY MODELS

CONCORDANCE TABLE OF INTERNATIONAL CLASSIFICATION INDEX AND PUBLICATION NUMBERS

INTERNATIONAL CLASSIFICATION INDEXES (51)	NUMBER OF PUBLISHED APPLICATION (10)
C 12 G 1/02	AU 2020 15197 U

CONCORDANCE TABLE OF PUBLICATION NUMBERS AND INTERNATIONAL CLASSIFICATION INDEX

NUMBER OF PUBLISHED APPLICATION (10)	INTERNATIONAL CLASSIFICATION INDEXES (51)
AU 2020 15197 U	C 12 G 1/02

CONCORDANCE TABLE OF INTERNATIONAL CLASSIFICATION INDEX, PATENT NUMBERS AND PUBLICATION NUMBERS

INTERNATIONAL CLASSIFICATION INDEX (51)	NUMBER OF PATENT (11)	NUMBER OF PUBLISHED APPLICATION (10)
B 28 B 1/08	U 2020 2036 Y	AU 2019 15097 U
E 04 H 6/12	U 2020 2035 Y	AU 2019 14787 U

CONCORDANCE TABLE OF PATENT NUMBERS, PUBLICATION NUMBERS AND INTERNATIONAL CLASSIFICATION INDEX

NUMBER OF PATENT (11)	NUMBER OF PUBLISHED APPLICATION (10)	INTERNATIONAL CLASSIFICATION INDEX (51)
U 2020 2035 Y	AU 2019 14787 U	E 04 H 6/12
U 2020 2036 Y	AU 2019 15097 U	B 28 B 1/08

CONCORDANCE TABLE OF APPLICATION NUMBERS, PUBLICATION NUMBERS AND PATENTS

NUMBER OF APPLICATION (21)	NUMBER OF PUBLISHED APPLICATION (10)	NUMBER OF PATENT (11)
AU 2018 14787	AU 2019 14787 U	U 2020 2035 Y
AU 2019 15097	AU 2019 15097 U	U 2020 2036 Y

TRADEMARKS

CONCORDANCE TABLE OF REGISTRATION NUMBERS, APPLICATION NUMBERS, PUBLICATION NUMBERS AND BULLETIN NUMBERS

NUMBER OF REGISTRATION (111)	NUMBER OF APPLICATIONS (210)	NUMBER OF PUBLISHED APPLICATIONS (260)	NUMBER OF BULLETIN
M 2020 32473 R	AM 101680	AM 2019 101680 A	18(526)2019
M 2020 32474 R	AM 102029	AM 2019 102029 A	20(528)2019
M 2020 32475 R	AM 102030	AM 2019 102030 A	20(528)2019
M 2020 32476 R	AM 102032	AM 2019 102032 A	20(528)2019
M 2020 32477 R	AM 102034	AM 2019 102034 A	20(528)2019
M 2020 32478 R	AM 102037	AM 2019 102037 A	20(528)2019
M 2020 32479 R	AM 102058	AM 2019 102058 A	20(528)2019
M 2020 32480 R	AM 102059	AM 2019 102059 A	20(528)2019
M 2020 32481 R	AM 102060	AM 2019 102060 A	20(528)2019
M 2020 32482 R	AM 102166	AM 2019 102166 A	21(529)2019
M 2020 32483 R	AM 102236	AM 2019 102236 A	21(529)2019
M 2020 32484 R	AM 102237	AM 2019 102237 A	21(529)2019
M 2020 32485 R	AM 102239	AM 2019 102239 A	21(529)2019
M 2020 32486 R	AM 102259	AM 2019 102259 A	21(529)2019
M 2020 32487 R	AM 102347	AM 2019 102347 A	21(529)2019
M 2020 32488 R	AM 102360	AM 2019 102360 A	22(530)2019
M 2020 32489 R	AM 102361	AM 2019 102361 A	22(530)2019
M 2020 32490 R	AM 102401	AM 2019 102401 A	21(529)2019
M 2020 32491 R	AM 102540	AM 2019 102540 A	23(531)2019
M 2020 32492 R	AM 102707	AM 2019 102707 A	21(529)2019
M 2020 32493 R	AM 102712	AM 2019 102712 A	22(530)2019
M 2020 32494 R	AM 102717	AM 2019 102717 A	22(530)2019
M 2020 32495 R	AM 102729	AM 2019 102729 A	22(530)2019
M 2020 32496 R	AM 102916	AM 2019 102916 A	22(530)2019
M 2020 32497 R	AM 102920	AM 2019 102920 A	22(530)2019
M 2020 32498 R	AM 103027	AM 2019 103027 A	23(531)2019
M 2020 32499 R	AM 103029	AM 2019 103029 A	23(531)2019
M 2020 32500 R	AM 103122	AM 2019 103122 A	23(531)2019
M 2020 32501 R	AM 99069	AM 2019 99069 A	22(530)2019
M 2020 32502 R	AM 99884	AM 2019 99884 A	22(530)2019
M 2020 32503 R	AM 99885	AM 2019 99885 A	22(530)2019
M 2020 32504 R	AM 99886	AM 2019 99886 A	22(530)2019
M 2020 32505 R	AM 107488	–	7(539)2019
M 2020 32506 R	AM 107566	–	7(539)2019
M 2020 32507 R	AM 107555	–	7(539)2019
M 2020 32508 R	AM 107590	–	7(539)2019
M 2020 32505 R	AM 107455	–	7(539)2019
M 2020 32510 R	AM 107559	–	7(539)2019
M 2020 32511 R	AM 107560	–	7(539)2019
M 2020 32512 R	AM 107557	–	7(539)2019
M 2020 32513 R	AM 107163	–	7(539)2019
M 2020 32514 R	AM 107164	–	7(539)2019
M 2020 32515 R	AM 107582	–	7(539)2019
M 2020 32516R	AM 107485	–	7(539)2019
M 2020 32517 R	AM 101228	AM 2019 101228 A	18(526)2019
M 2020 32518 R	AM 101229	AM 2019 101229 A	18(526)2019

1	2	3	4
M 2020 32519 R	AM 101663	AM 2019 101663 A	18(526)2019
M 2020 32520 R	AM 101664	AM 2019 101664 A	18(526)2019
M 2020 32521 R	AM 101690	AM 2019 101690 A	19(527)2019
M 2020 32522 R	AM 101691	AM 2019 101691 A	19(527)2019
M 2020 32523 R	AM 102265	AM 2019 102265 A	20(528)2019
M 2020 32524 R	AM 102266	AM 2019 102266 A	20(528)2019
M 2020 32525 R	AM 102267	AM 2019 102267 A	20(528)2019
M 2020 32526 R	AM 102389	AM 2019 102389 A	19(527)2019
M 2020 32527 R	AM 102391	AM 2019 102391 A	19(527)2019
M 2020 32528 R	AM 102392	AM 2019 102392 A	19(527)2019
M 2020 32529 R	AM 102393	AM 2019 102393 A	19(527)2019
M 2020 32530 R	AM 102720	AM 2019 102720 A	21(529)2019
M 2020 32531 R	AM 102735	AM 2019 102735 A	22(530)2019
M 2020 32532 R	AM 102737	AM 2019 102737 A	21(529)2019
M 2020 32533 R	AM 102810	AM 2019 102810 A	23(531)2019
M 2020 32534 R	AM 102817	AM 2019 102817 A	23(531)2019
M 2020 32535 R	AM 102827	AM 2019 102827 A	23(531)2019
M 2020 32536 R	AM 102828	AM 2019 102828 A	23(531)2019
M 2020 32537 R	AM 102921	AM 2019 102921 A	23(531)2019
M 2020 32538 R	AM 103105	AM 2019 103105 A	23(531)2019
M 2020 32539 R	AM 103106	AM 2019 103106 A	23(531)2019
M 2020 32540 R	AM 103310	AM 2019 103310 A	23(531)2019
M 2020 32541 R	AM 103465	AM 2019 103465 A	24(532)2019
M 2020 32542 R	AM 103466	AM 2019 103466 A	24(532)2019
M 2020 32543 R	AM 103467	AM 2019 103467 A	24(532)2019
M 2020 32544 R	AM 103665	AM 2019 103665 A	24(532)2019
M 2020 32545 R	AM 107485	–	7(539)2019
M 2020 32546 R	AM 107489	–	7(539)2019
M 2020 32547 R	AM 105559	–	7(539)2019
M 2020 32548 R	AM 107655	–	7(539)2019

CONCORDANCE TABLE OF PUBLICATION NUMBERS
AND APPLICATION NUMBERS

NUMBER OF PUBLISHED APPLICATION (260)	NUMBER OF APPLICATION (210)	1	2
1	2		
AM 2020 99958 A*	AM 99958	AM 2020 104449 A	AM 104449
AM 2020 101404 A	AM 101404	AM 2020 104544 A	AM 104544
AM 2020 101628 A*	AM 101628	AM 2020 104545 A	AM 104545
AM 2020 103309 A	AM 103309	AM 2020 104546 A	AM 104546
AM 2020 104086 A	AM 104086	AM 2020 104547 A	AM 104547
AM 2020 104087 A	AM 104087	AM 2020 104548 A	AM 104548
AM 2020 104089 A	AM 104089	AM 2020 104549 A	AM 104549
AM 2020 104091 A	AM 104091	AM 2020 104551 A	AM 104551
AM 2020 104095 A	AM 104095	AM 2020 104554 A	AM 104554
AM 2020 104096 A	AM 104096	AM 2020 104562 A	AM 104562
AM 2020 104195 A	AM 104195	AM 2020 104564 A	AM 104564
AM 2020 104223 A	AM 104223	AM 2020 104669 A	AM 104669
AM 2020 104329 A	AM 104329	AM 2020 104670 A	AM 104670
AM 2020 104433 A	AM 104433	AM 2020 104672 A	AM 104672
		AM 2020 104675 A	AM 104675
		AM 2020 104743 A	AM 104743
		AM 2020 104744 A	AM 104744
		AM 2020 104751 A	AM 104751
		AM 2020 104760 A	AM 104760

1	2	1	2
AM 2020 104761 A	AM 104761	AM 2020 104928 A	AM 104928
AM 2020 104762 A	AM 104762	AM 2020 104929 A	AM 104929
AM 2020 104763 A	AM 104763	AM 2020 104934 A	AM 104934
AM 2020 104767 A	AM 104767	AM 2020 105003 A	AM 105003
AM 2020 104768 A	AM 104768	AM 2020 105011 A	AM 105011
AM 2020 104769 A	AM 104769	AM 2020 105012 A	AM 105012
AM 2020 104811 A	AM 104811	AM 2020 105013 A	AM 105013
AM 2020 104815 A	AM 104815	AM 2020 105016 A	AM 105016
AM 2020 104831 A	AM 104831	AM 2020 105128 A	AM 105128
AM 2020 104833 A	AM 104833	AM 2020 105146 A	AM 105146
AM 2020 104903 A	AM 104903	AM 2020 105147 A	AM 105147
AM 2020 104904 A	AM 104904	AM 2020 105148 A	AM 105148
AM 2020 104926 A	AM 104926	AM 2020 105149 A	AM 105149
AM 2020 104927 A	AM 104927		

**CONCORDANCE TABLE OF INDEX OF GOODS AND/OR SERVICES
AND APPLICATION NUMBERS**

INDEX OF GOODS AND/OR SERVICES (511)	NUMBER OF PUBLISHED APPLICATIONS (26)	1	2
1	2		
1	AM 2020 104833 A	9	AM 2020 104086 A
3	AM 2020 104670 A	9	AM 2020 104087 A
3	AM 2020 104769 A	9	AM 2020 104544 A
3	AM 2020 104926 A	9	AM 2020 104743 A
3	AM 2020 104927 A	9	AM 2020 104744 A
3	AM 2020 104928 A	9	AM 2020 104751 A
3	AM 2020 104929 A	9	AM 2020 105003 A
3	AM 2020 105147 A	10	AM 2020 104751 A
3	AM 2020 105148 A	11	AM 2020 104672 A
5	AM 2020 104091 A	11	AM 2020 104751 A
5	AM 2020 104433 A	12	AM 2020 104089 A
5	AM 2020 104545 A	12	AM 2020 104751 A
5	AM 2020 104562 A	12	AM 2020 104815 A
5	AM 2020 104564 A	16	AM 2020 104223 A
5	AM 2020 104760 A	16	AM 2020 104675 A
5	AM 2020 104761 A	16	AM 2020 104903 A
5	AM 2020 104762 A	20	AM 2020 104672 A
5	AM 2020 104763 A	20	AM 2020 104675 A
5	AM 2020 104767 A	21	AM 2020 104672 A
5	AM 2020 104768 A	21	AM 2020 104903 A
5	AM 2020 104831 A	21	AM 2020 104672 A
5	AM 2020 104833 A	24	AM 2020 104672 A
5	AM 2020 104926 A	25	AM 2020 104095 A
5	AM 2020 104927 A	25	AM 2020 104096 A
5	AM 2020 104928 A	25	AM 2020 104903 A
5	AM 2020 104929 A	25	AM 2020 104903 A
5	AM 2020 105013 A	27	AM 2020 104672 A
6	AM 2020 104751 A	28	AM 2020 104903 A
7	AM 2020 104751 A	28	AM 2020 105003 A
8	AM 2020 104815 A	32	AM 2020 104195 A
9	AM 2020 101628 A*	32	AM 2020 104554 A
		33	AM 2020 104329 A
		33	AM 2020 104549 A
		33	AM 2020 104551 A
		33	AM 2020 105128 A
		34	AM 2020 99958 A*
		34	AM 2020 105016 A
		34	AM 2020 105146 A

1	2
35	AM 2020 101404 A
35	AM 2020 101628 A*
35	AM 2020 104086 A
35	AM 2020 104095 A
35	AM 2020 104096 A
35	AM 2020 104223 A
35	AM 2020 104544 A
35	AM 2020 104554 A
35	AM 2020 104669 A
35	AM 2020 104672 A
35	AM 2020 104675 A
35	AM 2020 104811 A
35	AM 2020 104903 A
35	AM 2020 104934 A
35	AM 2020 105149 A
36	AM 2020 103309 A
36	AM 2020 104087 A
36	AM 2020 104669 A
37	AM 2020 104087 A
37	AM 2020 104669 A
37	AM 2020 104751 A
38	AM 2020 104544 A
39	AM 2020 101404 A
39	AM 2020 104669 A

1	2
39	AM 2020 104811 A
41	AM 2020 104223 A
41	AM 2020 104811 A
41	AM 2020 104903 A
42	AM 2020 101628 A*
42	AM 2020 104086 A
42	AM 2020 104087 A
42	AM 2020 104544 A
42	AM 2020 104751 A
43	AM 2020 104223 A
43	AM 2020 104546 A
43	AM 2020 104547 A
43	AM 2020 104548 A
43	AM 2020 104675 A
43	AM 2020 104903 A
43	AM 2020 104904 A
43	AM 2020 105003 A
44	AM 2020 104544 A
44	AM 2020 104562 A
44	AM 2020 104564 A
44	AM 2020 105011 A
44	AM 2020 105012 A
45	AM 2020 104449 A

**CONCORDANCE TABLE OF INDEX OF GOODS AND/OR SERVICES
AND NUMBERS OF TRADEMARKS REGISTERED ACCORDING
TO THE ACCELERATED PROCEDURE**

INDEX OF GOODS AND/OR SERVICES (511)	NUMBERS OF REGISTERED ACCORDING TO THE ACCELERATED PROCEDURE (111)
5	M 2020 32512 R
25	M 2020 32548 R
31	M 2020 32547 R
32	M 2020 32545 R
32	M 2020 32546 R
33	M 2020 32516 R
34	M 2020 32506 R
34	M 2020 32507 R
34	M 2020 32508 R
34	M 2020 32509 R
35	M 2020 32505 R
35	M 2020 32509 R
35	M 2020 32510 R
35	M 2020 32511 R
35	M 2020 32513 R
35	M 2020 32514 R
36	M 2020 32513 R
36	M 2020 32514 R
37	M 2020 32515 R
39	M 2020 32513 R
39	M 2020 32514 R
41	M 2020 32513 R
41	M 2020 32514 R
43	M 2020 32513 R
43	M 2020 32514 R

OFFICIAL BULLETIN OF THE INDUSTRIAL PROPERTY

INVENTIONS
UTILITY MODELS
DESIGNS
TRADEMARKS
APPELLATIONS OF ORIGIN OF GOODS

7(539)

EDITOR-IN-CHIEF: N. Bebrishvili

EDITOR-TRANSLATOR: E. Gabunia

PROOFREADER: A. Shikhashvili

COMPUTER LAYOUT: M. Ordenidze
K. Svanidze

www.sakpatenti.gov.ge
E-mail: info@sakpatenti.org.ge