

Official Bulletin of the Industrial Property

Inventions

Utility Models

Designs

Trademarks

Appellation of Origin of Good



საქართველოს ინტელექტუალური
საკუთრების ეროვნული ცენტრი

საქპატენტი

SAKPATENTI

NATIONAL INTELLECTUAL PROPERTY
CENTER OF GEORGIA

www.sakpatenti.gov.ge

Date of Publication – 2021 04 26

7(563)

INID CODES FOR IDENTIFICATION OF BIBLIOGRAPHIC DATA

INVENTIONS, UTILITY MODELS

- (10) Number of publication for application, which has been examined
- (11) Number of patent and kind of document
- (21) Serial number of application
- (22) Date of filing of the application
- (23) Date of exhibition or the date of the earlier filing and the number of application, if any
- (24) Date from which patent may have effect
- (31) Number of priority application
- (32) Date of filing of priority application
- (33) Code of the country or regional organization allotting priority application number
- (44) Date of publication of application not granted, but examined and number of bulletin
- (45) Date of publication of registered document
- (51) International Patent Classification Index

- (54) Title of the invention
- (57) Abstract
- (60) Number of examined patent document granted by foreign patent office, date from which patent has effect and country code
- (62) Number of the earlier application and in case of divided application, date of filing an application
- (71) Name, surname and address of applicant (country code)
- (72) Name, surname of inventor (country code)
- (73) Name, surname and address of patent owner (country code)
- (74) Name, surname of representative or patent attorney
- (85) Date of commencement of the national phase of International Application
- (86) Number and date of filing of international application
- (87) Number and date of publication of international application
- (94) Calculated date of expiry of the SPC or the duration of the SPC

DESIGNS

- (10) Number of publication for application
- (11) Number of patent and kind of document or number of registration
- (15) Date of registration/Date of patent renewal
- (18) Expected expiration date of patent or registration
- (21) Serial number of application
- (22) Date of filing of the application
- (23) Date of exhibition or the date of the earlier filing and the number of application, if any
- (24) Date from which patent may have effect
- (28) Number of designs included in the application
- (30) Data relating to priority (number of application, date of filing of application, two-letter code identifying the authority with whom the priority application was made)
- (31) Number of priority application
- (32) Date of filing of priority application
- (33) Code of the country or regional organization allotting priority application number
- (34) Two-letter code according to WIPO St.3 identifying the authority with which the priority application was made
- (44) Date of publication of design and number of bulletin (the first publication)
- (45) Date of publication of design registered by WIPO and number of bulletin

- (51) International Classification for designs (class and subclass of the Locarno Classification)
- (54) Title of the invention
- (55) Reproduction of the design
- (57) Description of characteristic features of the design including indication of colors
- (58) Date of recording of any kind of amendment in the Register
- (62) Number of the earlier application, registration and document number and if available the date of filing an application in case of divided application
- (71) Name, surname and address of applicant (country code)
- (72) Name, surname of creator (country code)
- (73) Name, surname and address of patent owner (country code)
- (74) Name, surname of representative or patent attorney
- (81) Contracting states concerned
 - II designated contracting states according to the 1960 Act
 - III designated contracting states according to the 1999 Act
- (85) Owner's permanent address
- (86) Owner's nationality
- (87) Owner's residence
- (88) State in which the owner has a real and effective industrial or commercial establishment

TRADEMARKS

- (111) - Number of registration
- (151) - Date of registration
- (156) - Date of the renewal
- (181) - Expected expiration date of registration
- (186) - Renewal expiration date of registration
- (141) - Date of cancel of duration of the mark
- (210) - Serial number of application
- (220) - Date of filing of the application
- (230) - Data concerning exhibition
- (260) - Number of application, for which favorable decision of examination about registration has been taken (publication number)
- (310) - Number of the first application
- (320) - Date of filing of the first application
- (330) - Code, identifying national or regional Office where the first application was made
- (511) - International Classification of Goods and Services for the purposes of registration of trade marks and/or list of goods and/or services classified according thereto
- (526) - Disclaimer
- (531) - Description of figurative elements of Trade Marks according to the International Classification of the Figurative Elements of Marks

- (540) - Reproduction of Trade Mark
- (550) - Nature and kind of Trade Mark
- (551) - Indication to the effect that the mark is a collective mark, a certification mark or a guarantee mark
- (554) - Three-dimensional mark
- (580) - Date of recording of any kind changes in respect of applications or registrations
- (591) - Information concerning colors claimed
- (731) - Name and address of the applicant
- (732) - Name and address of the holder of the registration
- (740) - Name and address of the representative
- (750) - Addreses for correspondence
- (770) - Name and address of the previous applicant or holder in case of change in ownership
- (771) - Previous name and address of the applicant or holder in case of change in ownership
- (791) - Name and address of the licensee
- (793) - Indication of conditions and/or restrictions under the license (Type of license, number of license agreement, data of license, data of validity of license)
- (800) - Certain data relating to the international registration of Trade Marks under the Protocol Relating to Madrid Agreement (International registration number
- (852) - Partial cancellation of the list of goods and services
- (891) - Date of subsequent designation

CODES FOR PUBLICATION IN BULLETIN

- (21) AP 0000 000000 - serial number of application for invention
- (10) AP 0000 0000 A - number of published application for invention (first publication)
- (11) P 0000 0000 B - number of patent for invention (second publication)
- (21) API 0000 000000 - number of application for imported patent
- (11) PI 0000 0000 A - number of imported patent (first publication)
- (21) AU 0000 000000 - serial number of application for utility model
- (10) AU 0000 000 U - number of published application for utility model (first publication)
- (11) U 0000 000 Y - number of patent for utility model (second publication)
- (21) AD 0000 000000 - serial number of application for design
- (10) AD 0000 000 S - number of published application for design (first publication)
- (11) D 0000 000 S - registered design

INTERNATIONAL PATENT CLASSIFICATION FOR INVENTIONS AND UTILITY MODELS

- SECTION A - HUMAN NECESSITIES
- SECTION B - PERFORMING OPERATIONS; TRANSPORTING
- SECTION C - CHEMISTRY; METALLURGY
- SECTION D - TEXTILES; PAPER
- SECTION E - FIXED CONSTRUCTIONS
- SECTION F - MECHANICAL ENGINEERING; LIGHTING; HEATING; WEAPONS; BLASTING
- SECTION G - PHYSICS
- SECTION H - ELECTRICITY

-
- M - Trade Mark
 - (210) AM 0000 000000 - Serial number of application;
 - (260) AAM 0000 00000 A - Publication number of application;
 - (111) M 0000 00000 R - Number of registration;
 - (111) MMM0000 00000 Rn - Number of renewals, in which n=1,2,3;
 - (111) M 0000 00000 R(P) - Number of registration under partial assignment of rights
-

Official Bulletin of the Industrial Property

Inventions

Utility Models

Designs

Trademarks

Appellation of Origin of Good

CONTENTS

PUBLISHED TITLES OF PROTECTION	3
INVENTIONS	
▪ APPLICATIONS APPROVED FOR GRANTING PATENTS	4
▪ PATENTED INVENTIONS	6
UTILITY MODELS	
▪ APPLICATION APPROVED FOR GRANTING PATENT	9
▪ PATENTED UTILITY MODELS	10
TRADEMARKS	
▪ APPLICATIONS FILED UNDER THE NATIONAL PROCEDURE APPROVED FOR REGISTRATION	11
▪ REGISTERED TRADEMARKS	21
▪ TRADEMARKS REGISTERED ACCORDING TO THE ACCELERATED PROCEDURE	24
▪ INTERNATIONAL TRADEMARKS FOR WHICH A DECISION ON GRANTING PROTECTION IS TAKEN	28
▪ INTERNATIONAL TRADEMARKS PROTECTED IN GEORGIA	59
APPELLATION OF ORIGIN OF GOOD	
▪ AMENDMENT TO REGISTERED	60
OFFICIAL NOTIFICATIONS	
INVENTIONS	
▪ ABOLITION OF PATENTS WITH THE RIGHT TO RESTORE	61
▪ EXPIRATION OF TERM OF RESTORATION OF PATENT	62
▪ EXPIRATION OF TERM OF PATENT	63
UTILITY MODELS	
▪ EXPIRATION OF PATENT RESTORATION	64
▪ ABOLITION OF PATENT WITH THE RIGHT TO RESTORE	64
DESIGNS	
▪ EXTENSION OF DESIGN REGISTRATION VALIDITY PERIOD	64
▪ CANCELLATION OF REGISTRATION	64
▪ CANCELLATION OF REGISTRATION OF INTERNATIONAL DESIGNS	65
TRADEMARKS	
▪ RENEWAL OF REGISTRATIONS	68
▪ COMPLET TRANSFER OF RIGHTS	69
▪ CANCELLATION OF TRADEMARKS REGISTRATION	77
CLASSIFICATION INDEXES	
INVENTIONS	80
UTILITY MODELS	82
TRADEMARKS	83

PUBLISHED TITLES OF PROTECTION

INVENTIONS

- **APPLICATIONS APPROVED FOR GRANTING PATENT:**
15271; 15174; 15054; 15188
- **PATENTED INVENTIONS:**
7243-7251

UTILITY MODELS

- **APPLICATION APPROVED FOR GRANTING PATENT:**
15553
- **PATENTED UTILITY MODELS:**
2078-2081

TRADEMARKS

- **APPLICATIONS FILED UNDER THE NATIONAL PROCEDURE APPROVED FOR REGISTRATION:**
109109; 109511; 109587; 109599, 109600; 109608; 109611; 109657; 109662, 109663; 109665; 109669; 109676; 109678, 109679; 109681; 109733-109737; 109749; 109751, 109752; 109767-109771; 109775, 109776; 109833; 109838, 109839; 109848; 109916-109918; 109920; 109938, 109939; 109941-109947; 109954; 109957; 109959, 109960; 110119-110121; 110124, 110125; 110131
- **REGISTERED TRADEMARKS:**
33914-33941
- **TRADEMARKS REGISTERED ACCORDING TO THE ACCELERATED PROCEDURE:**
33896-33913; 33942
- **INTERNATIONAL TRADEMARKS FOR WHICH A DECISION ON GRANTING PROTECTIONS IS TAKEN:**
105413; 107352*; 108800; 108908-108911; 108913-08915; 108922-108924; 108933; 108974-108976; 108978-108981; 108988; 109062; 109066; 109079-109082; 109100; 109176; 109195-109199; 109239; 109306; 109308-109310; 109347-109349; 109386-109389; 109405; 109444; 109447-109449; 109479; 109482; 109484; 109495; 109552; 109568, 109569; 109573; 109623-109625; 109639-109641; 109691; 109693; 109707-109710; 109866-109868
- **INTERNATIONAL TRADEMARKS PROTECTED IN GEORGIA:**
107425; 108026

APPELLATION OF ORIGIN OF GOOD

KHVANCHKARA

INVENTIONS

APPLICATIONS APPROVED FOR GRANTING PATENTS

The decision can be appealed at the Chamber of Appeal of Sakpatenti within 3 months from the publication or at the Mtskheta District Court Administrative Cases Board (Address: №17, Samkhedro str., Mtskheta), within 1 month following the publication.

PART A

A 47

(10) AP 2021 15271 A (51) Int. Cl. (2006)
A 47 L 1/00
E 06 B 7/02
F 24 F 13/00

(21) AP 2020 15271 (22) 2020 02 04

(71) Luka Pachkoria (GE)

Sanapiro St. 2a, 0105, Tbilisi, Georgia (GE)

(72) Luka Pachkoria (GE)

(74) Shalva Gvaramadze

(54) DEVICE FOR WINDOW AUTOMATIC
CLEANING AND VENTILATION

(57) A device includes window cleaning component 5 and moving it the means executed in the pulleys 2a, 2b, 2c, and 2d as engaged toothed belts 3a and 3 b connected to reverce electric drive 1; at that, a component 9 is executed as a plate, capable to move window cleaning component up-down by means of switching first 8a and second 8b mechanisms, and it), the device additionally includes cleaning solution valve 13 equipped with the hoses 14a and 14b, ventilation box 12, and an ozonator 18 placed therein, the filters 20 and 29, the laudspeakers 25, and control plate 26; at that, a hose 14b connecting cleaning solution to valve pump and ventilation box 12 is placed in first section 32 of case-frame, and cleaning valve is connected to outlet hose 14a, as well; furthermore, the device additionally includes four pulleys 2e, 2f, 2g and 2h for belt additional tention connected to the drive.

Claims: 1 independent

2 dependents

Fig.: 5

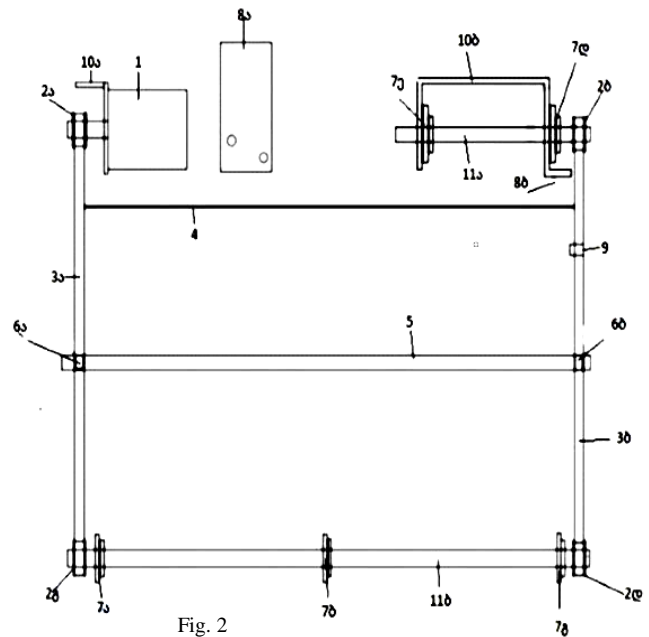


Fig. 2

PART B

B 65

(10) AP 2021 15174 A (51) Int. Cl. (2006)
B 65 B 1/06

(21) AP 2018 15174 (22) 2018 03 20

(31) P 201730587

(32) 2017 03 31

(33) ES

(71) Laboratorios Farmacéuticos Rovi S.A. (ES)
Calle Julian Camarillo, 35, Madrid, 28037,
Spain (ES)

(72) CEBADERA MIRANDA, Elena (ES);
GUTIERRO ADURIZ, Ibon (ES);
GARCÍA AMO, Maria (ES)

(74) Tamaz Shilakadze

(85) 2019 08 23

(86) PCT/EP2018/056968, 2018 03 20

(54) PROCESS FOR THE GRAVIMETRIC
FILING IN STERILE CONDITIONS OF
SOLIDS IN A PHARMACEUTICAL
CONTAINER

(57) Method of gravimetric filling of a solid product in sterile conditions in a pharmaceutical container of small dimensions including syringes, vials, capsules, ampoules, single-dose devices, inhalers, bottles, carpules blister, sachets or bags with solid substances selected from the group formed by powder, lyophilizate, granules, pellets, nanoparticles or microparticles. More particularly, it relates to a process for the gravimetric filling of pharmaceutical containers with one or more sterile solid pharmaceutical substances or sterile excipients dosed and prepared in an aseptic environment.

Claims: 2 independents
23 dependents

Fig.: 5

PART E

E 04

(10) AP 2021 15054 A (51) Int. Cl. (2006)
E 04 B 5/32

(21) AP 2017 15054 (22) 2017 09 27

(31) 10 2016 118 298.2

(32) 2016 09 28

(33) DE

(71) Heinze Gruppe Verwaltungs GMBH (DE)
Eupener Straße 35, 32051 Herford,
Germany (DE)

(72) WANNINGER, Volkmar (DE);
PFEFFER, Karsten (DE)

(74) Shalva Gvaramadze

(85) 2019 04 22

(86) PCT/EP2017/074542, 2017 09 27

(54) CONCRETE CEILING, KIT FOR
PRODUCING A CONCRETE CEILING,
AND METHOD FOR PRODUCING
A CONCRETE CEILING

(57) Concrete ceiling (1) comprises lower- (5) and upper (2) reinforcing meshes, between which a plurality of displacement bodies (10, 20, 30, 40, 50, 60, 70, 80) is arranged, wherein the lower and upper reinforcing meshes (2, 5) and the displacement bodies (10, 20, 30, 40, 50, 60, 70, 80) are embedded in concrete and each displacement body (10, 20, 30, 40, 50, 60, 70, 80) at least partially extends around at least one channel (11, 21, 31, 41, 51, 61, 71, 81), which establishes a connection between the concrete at the lower reinforcing mesh (5) and the concrete at the upper reinforcing mesh (2), wherein the displacement bodies (10, 20, 30, 40, 50, 60, 70, 80) lie against each other at least in some regions on at least three sides in a center region of the concrete ceiling. The invention further

relates to a method for producing a concrete ceiling having defined load-bearing properties.

Claims: 3 independents
10 dependents

Fig.: 46

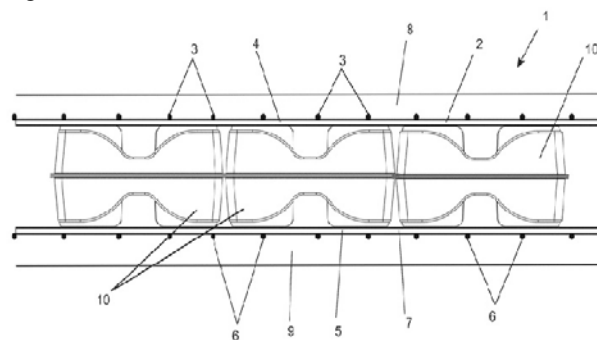


Fig. 1

PART F

F 03

(10) AP 2021 15188 A (51) Int. Cl. (2006)
F 03 G 7/08

(21) AP 2019 15188 (22) 2019 09 27

(71) Guram Topuria (GE)

Bakuriani St. 10, 0171, Tbilisi, Georgia (GE)

(72) Guram Topuria (GE)

(54) MECHANICAL MINI POWER STATION

(57) Power station includes couple of horizontal actuating platforms 4 and 7 disposed on traffic area 1 and mounted hingedly 2, 3, 5, 6 into the opposite edges of grooves with the axles 8, 11, which are executed below the platform, and are movable angularly opposite relative to each other; at that, an axis 11 of one of platform is connected to a shaft 17 connecting ratchet 13, 14, 15 to a flywheel 16; and rotating shaft 19 is connected to a generator 21 by means of reductor 18 intensifying rotation; furthermore, the platforms have a rubber amortizers 24 and 25 reducing angular motion thereof.

Claims: 1 independent

Fig.: 3

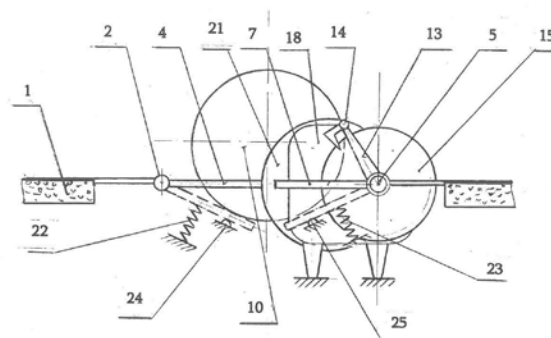


Fig. 1

PATENTED INVENTIONS

PART A

A 61

- | | |
|--------------------------------------------------------------------------------------------------------------------------------------------------------------------------------------------------------------------------------------------------------------------------------------------------------------------------------------------------------------------------------------------------------------------------------------------------------------------------------------------------------------------------------------------------------------------------------------------------------------------------------------------------------------------------------------------------------------------------------------|---------------------------------------------------------------------------------------------------------------------------------------------------------------------------------------------------------------------------------------------------------------------------------------------------------------------------------------------------------------------------------------------------------------------------------------------------------------------------------------------------------------------------------------------------------------------------------------------------------------------------------------------------------------------------------------------------------------------------------------------------------------------------------------------------------------------------------------------------------------------------------------------------------------------------------------------------------------------------------------------------------------------------------------------------------------------------------------------------------------------------------------------------------------------------------------------------------------------------------------------------------------------------------------------------------------------------------------------------------------------------------------------------------------------------------------------------------------------------------------------------------------------------------------------------------------------------------------------------------------------------------------------------------------------------------------------------------------------------------------------------------------------------------------------------------------------------------------------------------------------------------------------------------------------------------------------------------------------------------------------------------------------------------------------------|
| <p>(11) P 2021 7247 B</p> <p>(10) AP 2020 14317 A</p> <p>(21) AP 2015 14317</p> <p>(22) 2015 03 19</p> <p>(24) 2015 03 19</p> <p>(31) 1502156.1; 1406154.3</p> <p>(32) 2015 02 10; 2014 04 04</p> <p>(33) GB; GB</p> <p>(86) PCT/EP2015/055823, 2015 03 19</p> <p>(73) IOMET PHARMA LTD (GB)
Nine BioQuarter Little Rd, Edinburgh
EH16 4UX (GB)</p> <p>(72) COWLEY, Phillip (GB);
WISE, Alan (GB);
DAVIS, Susan (GB);
KICZUN, Michael (GB)</p> <p>(74) Tamaz Shilakadze</p> <p>(54) INDOLE DERIVATIVES FOR USE IN
MEDICINE</p> <hr/> <p>(11) P 2021 7248 B</p> <p>(10) AP 2020 15096 A</p> <p>(21) AP 2017 15096</p> <p>(22) 2017 10 25</p> <p>(24) 2017 10 25</p> <p>(31) PCT/CN2016/103643; 62/569,296</p> | <p>(51) Int. Cl. (2006)
A 61 K 31/404
A 61 K 31/4045
A 61 K 31/405
A 61 K 31/407
A 61 K 31/4184
A 61 K 31/4188
A 61 K 31/423
A 61 K 31/424
A 61 P 31/00
A 61 P 25/00
A 61 P 35/00
A 61 P 37/00
A 61 P 43/00
A 61 K 31/4355
A 61 K 31/437</p> <p>(44) 23(555)/2020</p> <p>(42) 2016 10 27; 2017 10 06</p> <p>(33) CN; US</p> <p>(86) PCT/EP2017/077252, 2017 10 25</p> <p>(73) The General Hospital Corporation (US)
55 Fruit St., Boston, MA 02114, USA (US);
Bayer Aktiengesellschaft (DE)
Kaiser-Wilhelm-Allee 1, Leverkusen, 51373,
Germany (DE);
President and Fellows of Harvard College (US)
17 Quincy St., Cambridge, MA 02138, USA
(US);
Bayer Pharma Aktiengesellschaft (DE)
Müllerstraße, 178, 13353 Berlin, Germany (DE);
The Broad Institute Inc. (US)
415 Main St., Cambridge, MA 02142, USA (US)</p> <p>(72) MERZ, Claudia (DE);
NIEHUES, Michael (DE);
ZIMMERMANN, Katja (DE);
GRADL, Stefan, Nikolaus (DE);
NGUYEN, Duy (DE);
EIS, Knut (DE);
GÜNTHER, Judith (DE);
STELLFELD, Timo (DE);
JANZER, Andreas (DE);
CHRISTIAN, Sven (DE);
MUELLER, Thomas (DE);
SHEIKH, Sherif El (DE);
ZHOU, Han, Jie (US);
SCHÄFER, Martina (DE);
NISING, Carl, Friedrich (DE);
ZHAO, Changjia (CN);
SYKES, David, Brian (US);
FERRARA, Steven, James (US);
LIU, Kery (CN);
KRÖBER, Michael (DE)</p> <p>(74) Giorgi Kartvelishvili</p> <p>(54) 2,4,5-TRISUBSTITUTED 1,2,4-TRIA-
ZOLONES USEFUL AS INHIBITORS
OF DHODH</p> <hr/> <p>(51) Int. Cl. (2006)
A 61 K 31/4196
A 61 P 35/02
C 07 D 405/12
C 07 D 403/12
C 07 D 249/12
C 07 D 413/12
C 07 D 401/12</p> <p>(44) 23(555)/2020</p> <p>(11) P 2021 7244 B</p> <p>(10) AP 2020 15047 A</p> <p>(21) AP 2017 15047</p> <p>(22) 2017 10 27</p> <p>(24) 2017 10 27</p> <p>(31) 16306415.7</p> <p>(32) 2016 10 28</p> <p>(33) EP</p> <p>(86) PCT/EP2017/077538, 2017 10 27</p> |
|--------------------------------------------------------------------------------------------------------------------------------------------------------------------------------------------------------------------------------------------------------------------------------------------------------------------------------------------------------------------------------------------------------------------------------------------------------------------------------------------------------------------------------------------------------------------------------------------------------------------------------------------------------------------------------------------------------------------------------------|---------------------------------------------------------------------------------------------------------------------------------------------------------------------------------------------------------------------------------------------------------------------------------------------------------------------------------------------------------------------------------------------------------------------------------------------------------------------------------------------------------------------------------------------------------------------------------------------------------------------------------------------------------------------------------------------------------------------------------------------------------------------------------------------------------------------------------------------------------------------------------------------------------------------------------------------------------------------------------------------------------------------------------------------------------------------------------------------------------------------------------------------------------------------------------------------------------------------------------------------------------------------------------------------------------------------------------------------------------------------------------------------------------------------------------------------------------------------------------------------------------------------------------------------------------------------------------------------------------------------------------------------------------------------------------------------------------------------------------------------------------------------------------------------------------------------------------------------------------------------------------------------------------------------------------------------------------------------------------------------------------------------------------------------------|

- (73) Les Laboratoires Servier (FR)
35, Rue de Verdun, 92284 Suresnes Cedex,
France (FR);
Novartis AG (CH)
Lichtstraße 35, 4056, Basel, Switzerland (CH)
- (72) WESSELS, Peter (CH);
TIEMESSEN, Henricus (CH);
DE MARCO, Paolo (CH);
LARABI, Malika (CH);
SCHIEDEL, Christiane (CH);
GURINA, Marina (CH)
- (74) Tamaz Shilakadze
- (54) LIPOSOMAL FORMULATION FOR
USE IN THE TREATMENT OF CANCER

- (11) P 2021 7243 B (51) Int. Cl. (2006)
A 61 K 31/565
A 61 K 9/20
A 61 K 9/00
- (10) AP 2020 14676 A (44) 23(555)/2020
- (21) AP 2016 14676
- (22) 2016 06 17
- (24) 2016 06 17
- (31) 15172767.4
- (32) 2015 06 18
- (33) EP
- (86) PCT/EP2016/064065, 2016 06 17
- (73) ESTETRA SPRL (BE)
Rue St Georges 5/7, BE-4000 Liege,
Belgium (BE)
- (72) PLATTEEUW, Johannes Jan (NL);
Van Den Heuvel, Denny Johan Marijn (NL);
JASPART, Séverine Francine Isabelle (BE)
- (74) Larisa Amirkhanyan
- (54) ORODISPERSIBLE DOSAGE UNIT
CONTAINING AN ESTETROL
COMPONENT

- (11) P 2021 7249 B (51) Int. Cl. (2006)
A 61 K 9/08
A 61 K 47/26
A 61 K 47/10
A 61 K 47/14
A 61 K 9/00
A 61 K 39/395
A 61 K 39/00
- (10) AP 2020 14966 A (44) 24(556)/2020
- (21) AP 2017 14966
- (22) 2017 06 28
- (24) 2017 06 28
- (31) 10 2016 0083039
- (32) 2016 06 30
- (33) KR
- (86) PCT/KR2017/006855, 2017 06 28
- (73) Celltrion Inc. (KR)
23, Academy-ro, Yeonsu-gu Incheon 22014,
Republic of Korea (KR)

- (72) KIM, So Young (KR);
HONG, Su Hyeon (KR);
SHIN, Yeon Kyeong (KR);
OH, Jun Seok (KR);
HAN, Won Yong (KR);
LEE, Joon Won (KR);
KIM, Su Jung (KR)
- (74) Larisa Amirkhanyan
- (54) STABLE LIQUID PHARMACEU-
TICAL PREPARATION

PART C

C 07

- (11) P 2021 7246 B (51) Int. Cl. (2006)
C 07 C 311/00
C 07 C 317/14
C 07 C 317/26
C 07 D 239/26
C 07 D 209/04
- (10) AP 2020 14907 A (44) 23(555)/2020
- (21) AP 2017 14907
- (22) 2017 02 21
- (24) 2017 02 21
- (31) 62/311,573
- (32) 2016 03 22
- (33) US
- (86) PCT/EP2017/053937, 2017 02 21
- (73) HELSINN HEALTHCARE SA (CH)
Via Pian Scairolo 9 CH-6912 Lugano/Pazzallo,
Switzerland (CH)
- (72) GIULIANO, Claudio (IT);
DAINA, Antoine (CH);
PIETRA, Claudio (IT)
- (74) Shalva Gvaramadze
- (54) BENZENESULFONYL-ASYMMETRIC
UREAS AND MEDICAL USES THEREOF

C 09

- (11) P 2021 7250 B (51) Int. Cl. (2006)
C 09 D 163/10
C 09 D 167/10
- (10) AP 2020 14588 A (44) 22(554)/2020
- (21) AP 2017 14588
- (22) 2017 09 18
- (24) 2017 09 18
- (31) 16189515.6
- (32) 2016 09 19
- (33) EP
- (73) DAW SE (DE)
Roßdörfer Straße 50, 64372 Ober-Ramstadt,
Germany (DE)

(72) HERRMANN, Beatrix (DE)
 (74) Liliana Darakhvelidze
 (54) SOLVENT-CONTAINING COATING
 COMPOSITION

C 12

(11) P 2021 7251 B (51) Int. Cl. (2006)
 C 12 N 15/11
 C 12 N 15/63
 C 07 K 19/00
 C 12 N 5/10
 (10) AP 2020 13674 A (44) 23(555)/2020
 (21) AP 2013 13674
 (22) 2013 03 15
 (24) 2013 03 15
 (31) 61/765,576; 61/757,640; 61/716,256; 61/652,086
 (32) 2013 02 15; 2013 01 28; 2012 10 19; 2012 05 25
 (33) US; US; US; US
 (86) PCT/US2013/032589, 2013 03 15
 (73) THE REGENTS OF THE UNIVERSITY OF
 CALIFORNIA (US)
 1111, Franklin St. 12th Floor Oakland,
 CA 94607 USA (US);
 UNIVERSITY OF VIENNA (AT)
 Universitätsring 1, A-1010 Vienna,
 Austria (AT);
 CHARPENTIER, Emmanuelle (DE)
 Inhoffenstraße 7, 38124 Braunschweig,
 Germany (DE)
 (72) CHARPENTIER, Emmanuelle (DE);
 DOUDNA, Jennifer A. (US);
 JINEK, Martin (US);
 CHYLINSKI, Krzysztof (AT);
 DOUDNA CATE, James Harrison (US);
 LIM, Wendell (US);
 QI, Lei (US)
 (74) Liliana Darakhvelidze
 (54) METHODS AND COMPOSITIONS
 FOR RNA-DIRECTED TARGET DNA
 MODIFICATION AND FOR RNA-DI-
 RECTED MODULATION OF TRAN-
 SCRIPTON

Mzia Tabagari (GE)
 Zh. Shartava St. 35/37, app. 34, 0160, Tbilisi,
 Georgia (GE);
 Vasil Kopaleishvili (GE)
 Abashidze St. 68, app. 47, 0162, Tbilisi,
 Georgia (GE);
 Otar Barbakadze (GE)
 Moscow Av., V qu., corp. 7, app. 26, 0145,
 Tbilisi, Georgia (GE);
 Davit Kopaleishvili (GE)
 Abashidze St. 68, app. 47, 0162, Tbilisi,
 Georgia (GE)
 (72) Irakli Kashakashvili (GE)
 Mzia Tabagari (GE);
 Vasil Kopaleishvili (GE);
 Otar Barbakadze (GE);
 Davit Kopaleishvili (GE)
 (54) STEEL FOR THE PRODUCTION OF
 PENETRATING DEVICE ARBORS

C 22

(11) P 2021 7245 B (51) Int. Cl. (2006)
 C 22 C 38/50
 (10) AP 2020 14510 A (44) 21(553)/2020
 (21) AP 2017 14510
 (22) 2017 06 05
 (24) 2017 06 05
 (73) Irakli Kashakashvili (GE)
 I. Chavchavadze Av. 19, app. 11, 0179, Tbilisi,
 Georgia (GE);

UTILITY MODELS

APPLICATION APPROVED FOR GRANTING PATENT

The decision can be appealed at the Chamber of Appeal of Sakpatenti within 3 months from the publication or at the Mtskheta District Court Administrative Cases Board (Address: №17, Samkhedro str., Mtskheta), within 1 month following the publication.

PART A

A 21

(10) AU 2021 15553 U (51) Int. Cl. (2006)
A 21 C 9/06

(21) AU 2021 15553 (22) 2021 02 09

(71) Omar Margisashvili (GE)
Krtsanisi St. 3, corp. "B", app. 2, 0114, Tbilisi,
Georgia (GE)

(72) Omar Margisashvili (GE)

(54) DEVICE SHAPING KHINKALI

(57) A device includes a post 11, product shaping knot having circular plate 8 whereon the pasta and content are placed, vertical axis 1, with placed thereon the casing 2 movable reciprocally, and horizontal discs 5 and 6 hingedly connected to each other by means of catchers 3 and shaping blades 4. Upper disc 6 is fixed onto vertical axis, and lower disc 5 – to the casing. The device is additionally equipped with cylindrical head 12 shaping the pasta and movable reciprocally. Furthermore, the device has a mechanism moving casing having fixator executed as a lever 18 having a handle, and it is mounted on the post rotatable, and capable to impact with the casing.

Claims: 1 independent

Fig.: 11

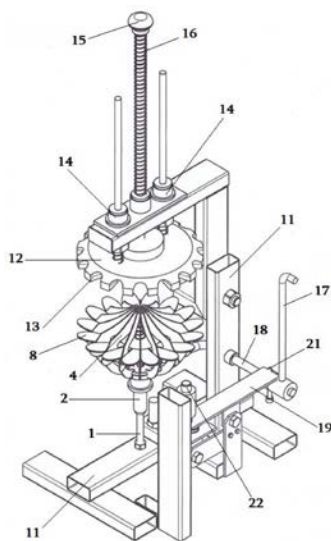


Fig. 1

PATENTED UTILITY MODELS

PART A

A 61

- (11) U 2021 2080 Y (51) Int. Cl. (2006)
A 61 F 13/15
- (10) AU 2020 15270 U (44) 24(556)/2020
- (21) AU 2020 15270
- (22) 2020 02 04
- (24) 2020 02 04
- (73) Nino Mchedlishvili (GE)
Dighomi Array 3/5, app. 45, 0159, Tbilisi,
Georgia (GE)
- (72) Nino Mchedlishvili (GE)
- (54) MULTIPLE USAGE PAD FOR LADY
-

PART C

C 10

- (11) U 2021 2079 Y (51) Int. Cl. (2006)
C 10 L 1/19
C 11 C 39/10
- (10) AU 2020 14497 U (44) 21(553)/2020
- (21) AU 2017 14497
- (22) 2017 05 19
- (24) 2017 05 19
- (73) Anzor Kuparadze (GE)
A. Chekhov St. 23, 4600, Kutaisi,
Georgia (GE)
- (72) Anzor Kuparadze (GE)
- (74) Archil Geguchadze
- (54) METHOD FOR BIODIESEL PRODUCTION
-

C 25

- (11) U 2021 2081 Y (51) Int. Cl. (2006)
C 25 B 11/04
- (10) AU 2020 15191 U (44) 23(555)/2020
- (21) AU 2019 15191
- (22) 2019 10 10
- (24) 2019 10 10
- (73) Zhiuli Keadze (GE)
Nutsbidze Plateau, III mcr., II qu., corp. 2,
app. 69, 0183, Tbilisi, Georgia (GE)
- (72) Zhiuli Keadze (GE);
Tsisana Gagnidze (GE);
Liana Kakuria (GE);
Ketevan Ugrelidze (GE);
Temur Chakhunashvili (GE)

- (54) ANODE FOR RECEIVING
ELECTORILYSIS MAGNESIUM
DIOXIDE
-

PART F

F 26

- (11) U 2021 2078 Y (51) Int. Cl. (2006)
F 26 B 3/28
- (10) AU 2020 15267 U (44) 22(554)/2020
- (21) AU 2020 15267
- (22) 2020 01 30
- (24) 2020 01 30
- (73) Avtandil Bitsadze (GE)
Aleko Gobromidze dead end 11, 0167,
Tbilisi, Georgia (GE)
- (72) Avtandil Bitsadze (GE)
- (54) HELIODRYER FOR AGRICULTURAL
PRODUCTION
-

TRADEMARKS

APPLICATIONS FILED UNDER THE NATIONAL PROCEDURE APPROVED FOR REGISTRATION

The decision can be appealed at the Chamber of Appeal of Sakpatenti within 3 months from the publication or at the Mtskheta District Court Administrative Cases Board (Address: №17, Samkhedro St., Mtskheta), within 1 month following the publication.

(260) AM 2021 109109 A
(210) AM 109109
(220) 2020 10 09
(731) LTD "Fit +"
Gomareti St. 11, Nadzaladevi District,
Tbilisi, Georgia
(740) Salome Jojua
(540)



(591) A8C93C green, yellow
(531) 26.13.25; 28.19; 29.01.13
(511) 29

(260) AM 2021 109511 A
(210) AM 109511
(220) 2020 08 26
(731) Hijos De Rivera S.A.
Polígono Industrial la Grela-Bens,
C/ José María Rivera Corral, 6, 15008
La Coruña, Spain
(740) Tamaz Shilakadze
(540)



(591) Black, white, red, tobacco
(531) 01.01.02; 01.01.10; 26.01.01; 26.01.04;
26.01.13; 26.01.16; 26.01.22; 26.01.24; 28.19;
29.01.14
(511) 32

(260) AM 2021 109587 A
(210) AM 109587
(220) 2020 08 28
(731) LTD "Dugladze Wine Company"
Orkhevi, Chantladze Blind End 8, 0109, Tbilisi,
Georgia
(740) Dimitri Dzamukashvili
(540)

Wine Hill
ვინ ჰილ

(591) Black-white
(511) 33

(260) AM 2021 109599 A
(210) AM 109599
(220) 2020 09 01
(731) JSC "OnCloud"
P. Melikishvili Av. 8a/Erekle Tatishvili St. 1,
0179, Mtatsminda District, Tbilisi, Georgia
(740) Levan Dadiani
(540)

OnCloud

(591) Black-white
(511) 42

(260) AM 2021 109600 A
(210) AM 109600
(220) 2020 09 01
(731) JSC "OnCloud"
P. Melikishvili Av. 8a/Erekle Tatishvili St. 1,
0179, Mtatsminda District, Tbilisi, Georgia
(740) Levan Dadiani
(540)

ონკლაუდი

(591) Black-white
(511) 42

(260) AM 2021 109608 A
(210) AM 109608
(220) 2020 09 03
(731) Georgian Travel Guide

Vazisubani settlement, III mcr., II qu., corp. 15,
app. 83, 0152, Isani District, Tbilisi, Georgia
(540)



(591) 50C1E9 light sky-blue, 3AAFD9 sky-blue,
41BC9D green, 5386C5 blue, F5BB41
yellow
(531) 01.15.15; 01.15.21; 01.15.24; 06.01.01;
06.01.02; 29.01.14
(511) 39, 42

(260) AM 2021 109611 A
(210) AM 109611
(220) 2020 09 03
(731) LTD "Berika"
Il. Chavchavadze Av., I Lane 6, app. 80,
Tbilisi, Georgia
(540)

vinograf
ვინოგრაფი
ВИНОГРАФ

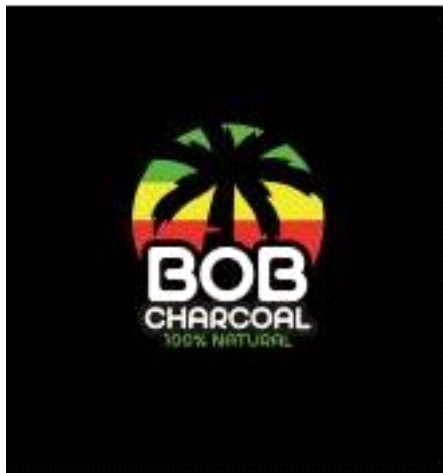
(591) Black-white
(511) 33

(260) AM 2021 109657 A
(210) AM 109657
(220) 2020 09 06
(731) Energizer Brands LLC
533 Maryville University Drive, St. Louis,
Missouri 63141, USA
(740) Giorgi Meipariani
(540)



(591) Black-white
(531) 04.05.02; 04.05.04; 04.05.05; 15.09.02
(511) 9, 11

(260) AM 2021 109662 A
(210) AM 109662
(220) 2020 09 08
(731) AL-Dayaghem For Trading Agencies
3rd floor, Al Zoubi Center Building No. 3, Al
Nasea Street, Al Rawnaq District, Al Bayader,
Amman, Jordan
(740) Tamaz Shilakadze
(540)



(591) Black, white, green, yellow, orange
(531) 05.01.12; 26.01.01; 26.01.15; 26.01.19;
26.04.10; 27.05.24; 29.01.15
(511) 4

(260) AM 2021 109663 A
(210) AM 109663
(220) 2020 09 08
(731) Toyota Jidosha Kabushiki Kaisha
(also trading as Toyota Motor Corporation)
1, Toyota-cho, Toyota-shi, Aichi-ken, Japan
(740) Tamar Kochlamazashvili
(540)

TX350

(591) Black-white
(531) 27.05.01; 27.05.17; 27.07.11; 27.07.17
(511) 12

(260) AM 2021 109665 A
(210) AM 109665
(220) 2020 09 08
(731) Toyota Jidosha Kabushiki Kaisha
(also trading as Toyota Motor Corporation)
1, Toyota-cho, Toyota-shi, Aichi-ken, Japan
(740) Tamar Kochlamazashvili
(540)

TX500h

(591) Black-white
(531) 27.05.01; 27.05.17; 27.07.01; 27.07.11
(511) 12

(260) AM 2021 109669 A
 (210) AM 109669
 (220) 2020 09 08
 (731) Reckitt & Colman (Overseas)
 Hygiene Home Limited
 103-105 Bath Road, Slough, Berkshire,
 SL1 3UH, Berkshire, United Kingdom
 (740) Liliana Darakhvelidze
 (540)



(591) White, red, blue
 (531) 24.15.01; 24.15.13; 24.15.21; 27.05.02;
 27.05.03; 29.01.13
 (511) 3, 5

(260) AM 2021 109676 A
 (210) AM 109676
 (220) 2020 09 10
 (731) LTD "GMP"
 Vazha-Pshavela Av., VII qu., corp. 15, app. 55,
 0186, Tbilisi, Georgia
 (540)



(591) red, black, white
 (531) 26.04.01; 27.01.02; 27.05.01; 27.05.17;
 27.05.23; 27.05.24; 29.01.13
 (526) RIGHTS MANAGEMENT
 (511) 45

(260) AM 2021 109678 A
 (210) AM 109678
 (220) 2020 09 10
 (731) Skinfood Co., LTD
 104, Je2gongdan 1-gil, Miyang-myeon,
 Anseong-si, Gyeonggi-do, 17599,
 Republic of Korea
 (740) Shalva Gvaramadze
 (540)

SKINFOOD
 1957

(591) Black-white
 (531) 27.05.01; 27.07.01
 (511) 3

(260) AM 2021 109679 A
 (210) AM 109679
 (220) 2020 09 10
 (731) Skinfood Co., LTD
 104, Je2gongdan 1-gil, Miyang-myeon,
 Anseong-si, Gyeonggi-do, 17599,
 Republic of Korea
 (740) Shalva Gvaramadze
 (540)



(591) Black-white
 (531) 04.01.02; 26.01.02; 26.01.21; 27.01.06;
 27.01.07
 (511) 3

(260) AM 2021 109681 A
 (210) AM 109681
 (220) 2020 09 10
 (731) OOO "ROST-Brand"
 Leningradskiy Prospekt, dom 37, stroenie 9,
 office 8-8, 125167, Moscow,
 Russian Federation
 (740) Giorgi Taktakishvili
 (540)

МАДЖИУЛИ
MAJIULY

(591) Black-white
 (511) 32, 33

(260) AM 2021 109733 A
 (210) AM 109733
 (220) 2020 09 11
 (731) Yadea Technology Group Co., LTD
 Dongsheng Road, Dacheng Industrial Zone,
 Anzhen Town, Xishan District, Wuxi City,
 Jiangsu Province, China
 (740) Liliana Darakhvelidze
 (540)



(591) White, grey, black
 (531) 26.03.01; 26.03.04; 26.03.06
 (511) 9, 12, 35

(260) AM 2021 109734 A
 (210) AM 109734
 (220) 2020 09 11
 (310) 34913
 (320) 2020 04 14
 (330) AD
 (731) Philip Morris Products S.A.
 Quai Jeanrenaud 3, 2000 Neuchâtel,
 Switzerland
 (740) Pavle Meipariani
 (540)



(591) Black-white
 (531) 25.07.15; 26.03.23; 26.04.02; 26.04.12
 (511) 34

(260) AM 2021 109735 A
 (210) AM 109735
 (220) 2020 09 11
 (310) 34915
 (320) 2020 04 14
 (330) AD
 (731) Philip Morris Products S.A.
 Quai Jeanrenaud 3, 2000 Neuchâtel,
 Switzerland
 (740) Pavle Meipariani
 (540)



(591) Black-white
 (531) 25.07.15; 26.03.11; 26.04.06
 (511) 34

(260) AM 2021 109736 A
 (210) AM 109736
 (220) 2020 09 11
 (310) 34917
 (320) 2020 04 14
 (330) AD
 (731) Philip Morris Products S.A.
 Quai Jeanrenaud 3, 2000 Neuchâtel,
 Switzerland
 (740) Pavle Meipariani
 (540)



(591) Black-white
 (531) 25.07.15; 26.02.01; 26.02.07; 26.02.12
 (511) 34

(260) AM 2021 109737 A
 (210) AM 109737
 (220) 2020 09 11
 (310) 34916
 (320) 2020 04 14
 (330) AD
 (731) Philip Morris Products S.A.
 Quai Jeanrenaud 3, 2000 Neuchâtel,
 Switzerland
 (740) Pavle Meipariani
 (540)



(591) Black-white
 (531) 26.03.23
 (511) 34

(260) AM 2021 109749 A
 (210) AM 109749
 (220) 2020 09 14
 (310) 35243
 (320) 2020 08 28
 (330) AD
 (731) Philip Morris Products S.A.
 Quai Jeanrenaud 3, 2000 Neuchâtel,
 Switzerland

(740) Pavle Meipariani
(540)



(591) Black-white
(531) 05.03.13; 05.03.14; 26.04.02; 26.04.04;
26.04.05
(511) 34

(260) AM 2021 109751 A
(210) AM 109751
(220) 2020 09 15
(731) LLC "Senso Vita Pharmacy"
Ak. Beliashvili St. 43, 99532, Tbilisi,
Georgia
(540)

Sensoferro

(591) Black-white
(511) 5

(260) AM 2021 109752 A
(210) AM 109752
(220) 2020 09 15
(731) LLC "Senso Vita Pharmacy"
Ak. Beliashvili St. 43, 99532, Tbilisi,
Georgia
(540)

Vitaxycame

(591) Black-white
(511) 5

(260) AM 2021 109767 A
(210) AM 109767
(220) 2020 09 17
(731) LTD "Krinti"
Madneuli St. 10, Vill. Kazreti, Bolnisi,
Georgia
(540)

RODELPH

(591) Black-white
(511) 1, 11

(260) AM 2021 109768 A
(210) AM 109768
(220) 2020 09 17
(731) LTD "Impexpharm"
On the right bank of the River Mtkvari,
nearby Bacteriophage, 0160, Tbilisi, Georgia

(740) Nugzar Ksovreli
(540)

Chalkide

(591) Black-white
(511) 5

(260) AM 2021 109769 A
(210) AM 109769
(220) 2020 09 17
(731) LTD "Impexpharm"
On the right bank of the River Mtkvari,
nearby Bacteriophage, 0160, Tbilisi,
Georgia
(740) Nugzar Ksovreli
(540)

Liquadent

(591) Black-white
(511) 5

(260) AM 2021 109770 A
(210) AM 109770
(220) 2020 09 17
(731) LTD "Impexpharm"
On the right bank of the River Mtkvari,
nearby Bacteriophage, 0160, Tbilisi,
Georgia
(740) Nugzar Ksovreli
(540)

Pharykado

(591) Black-white
(511) 5

(260) AM 2021 109771 A
(210) AM 109771
(220) 2020 09 17
(731) LTD "Impexpharm"
On the right bank of the River Mtkvari,
nearby Bacteriophage, 0160, Tbilisi,
Georgia
(740) Nugzar Ksovreli
(540)

Dr. Wise

(591) Black-white
(511) 10

(260) AM 2021 109775 A
(210) AM 109775
(220) 2020 09 17
(731) LTD "Sandro & Company"
Vakhtang Gorgasali St. 37, app. 158,
0180, Tbilisi, Georgia

(540)



(591) White, red, yellow, black, Burgundy-red
 (531) 02.01.01; 09.07.01; 09.07.25; 25.03.01;
 25.03.07; 27.05.01; 27.05.10; 29.01.15
 (511) 30

(260) AM 2021 109776 A
 (210) AM 109776
 (220) 2020 09 17
 (310) 35244
 (320) 2020 09 03
 (330) AD
 (731) Philip Morris Products S.A.
 Quai Jeanrenaud 3, 2000 Neuchâtel,
 Switzerland
 (740) Pavle Meipariani
 (540)



(591) Black-white
 (531) 26.01.01; 26.01.03; 26.03.01; 26.03.07;
 26.03.10
 (511) 9, 18, 35, 37, 41

(260) AM 2021 109833 A
 (210) AM 109833
 (220) 2020 09 22
 (731) Mariam Tsertsvadze
 Panaskerteli St. 20a, Tbilisi, Georgia
 (540)

მატასი
Matassi
Matacci

(591) Black-white
 (511) 14

(260) AM 2021 109838 A
 (210) AM 109838
 (220) 2020 09 23
 (731) Ashley Furniture Industries LLC
 One Ashley Way, Arcadia, WI 54612, USA
 (740) Tamaz Shilakadze
 (540)

ASHLEY
FURNITURE

(591) Black-white
 (511) 20

(260) AM 2021 109839 A
 (210) AM 109839
 (220) 2020 09 23
 (731) Ashley Furniture Industries LLC
 One Ashley Way, Arcadia, WI 54612, USA
 (740) Tamaz Shilakadze
 (540)

THIS IS HOME

(591) Black-white
 (511) 20, 35

(260) AM 2021 109848 A
 (210) AM 109848
 (220) 2020 09 24
 (731) LTD "Nikala"
 Kheivani 12, St. I, 0114, Krtsanisi District,
 Tbilisi, Georgia
 (540)



(591) Black-white
 (531) 05.03.04; 05.07.10; 05.13.08; 19.09.02;
 24.09.02; 24.09.09; 24.13.01; 27.07.01
 (511) 33

(260) AM 2021 109916 A
 (210) AM 109916
 (220) 2020 09 25
 (731) Hyundai Motor Company
 12, Heolleung-ro, Seocho-gu, Seoul, Republic
 of Korea

(740) Shalva Gvaramadze
(540)

HD35

(591) Black-white
(511) 1

(260) AM 2021 109917 A
(210) AM 109917
(220) 2020 09 25
(731) LTD "Legion"
R. Agladze St. 25, Building 1, floor 4,
Didube-Chughureti District, Tbilisi, Georgia
(740) Mariam Kurkhulishvili
(540)

ReForma

(591) F9F9F4 white, D6CA2C yellow,
0A0A00 black
(531) 27.05.01; 27.05.02; 27.05.03; 27.05.11;
29.01.13
(511) 41

(260) AM 2021 109918 A
(210) AM 109918
(220) 2020 09 25
(731) Hyundai Motor Company
12, Heolleung-ro, Seocho-gu, Seoul, Republic
of Korea
(740) Shalva Gvaramadze
(540)

HD35City

(591) Black-white
(511) 12

(260) AM 2021 109920 A
(210) AM 109920
(220) 2020 09 25
(731) Hyundai Motor Company
12, Heolleung-ro, Seocho-gu, Seoul, Republic
of Korea
(740) Shalva Gvaramadze
(540)

HD78

(591) Black-white
(511) 12

(260) AM 2021 109938 A
(210) AM 109938
(220) 2020 09 30
(731) Compagnie Des Fromages & Richesmonts
5 rue Chantecoq, 92800 PUTEAUX, France
(740) Tamaz Shilakadze

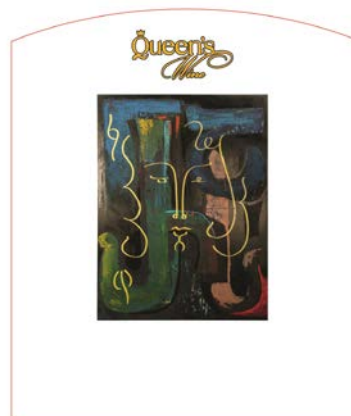
(540)



LE RUSTIQUE
ЛЕ РУСТИК

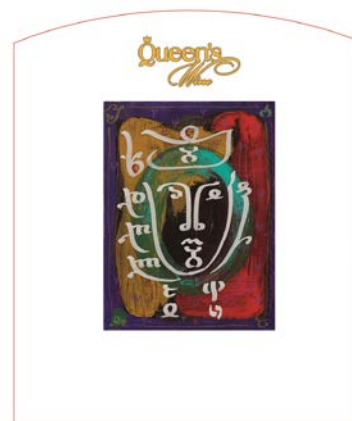
(591) Black-white
(531) 02.01.20; 02.01.21; 03.03.01; 18.01.01;
18.01.02; 26.11.01; 26.11.12; 27.05.01; 28.05
(511) 29

(260) AM 2021 109939 A
(210) AM 109939
(220) 2020 09 30
(731) LTD "Georgian Vine and Wine Company"
Davit Aghmashenebeli Av. 179a, app. 25, 0112,
Tbilisi, Georgia
(540)



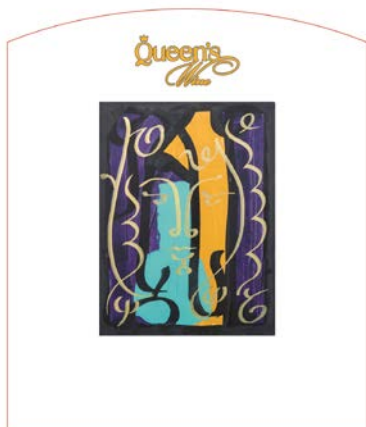
(591) Bordeaux, brown, dark green, blue, golden
(531) 02.01.01; 02.01.16; 11.03.01; 28.19; 29.01.15
(511) 33

(260) AM 2021 109941 A
(210) AM 109941
(220) 2020 09 30
(731) LTD "Georgian Vine and Wine Company"
Davit Aghmashenebeli Av. 179a, app. 25, 0112,
Tbilisi, Georgia
(540)



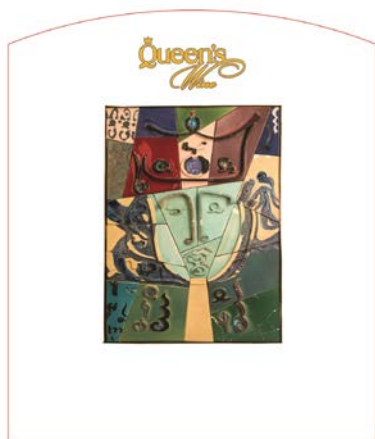
(591) Purple, Bordeaux, turquoise, golden, ochre
 (531) 02.01.01; 28.19; 29.01.15
 (511) 33

(260) AM 2021 109942 A
 (210) AM 109942
 (220) 2020 09 30
 (731) LTD "Georgian Vine and Wine Company"
 Davit Aghmashenebeli Av. 179a, app. 25, 0112,
 Tbilisi, Georgia
 (540)



(591) Purple, orange, sky-blue, black, golden
 (531) 02.01.01; 28.19; 29.01.15
 (511) 33

(260) AM 2021 109943 A
 (210) AM 109943
 (220) 2020 09 30
 (731) LTD "Georgian Vine and Wine Company"
 Davit Aghmashenebeli Av. 179a, app. 25, 0112,
 Tbilisi, Georgia
 (540)



(591) Bordeaux, dark green, brown, beige, purple,
 blue, golden
 (531) 02.01.01; 02.01.23; 02.03.01; 02.03.23; 28.19;
 29.01.15
 (511) 33

(260) AM 2021 109944 A
 (210) AM 109944
 (220) 2020 09 30
 (731) LTD "Georgian Vine and Wine Company"
 Davit Aghmashenebeli Av. 179a, app. 25, 0112,
 Tbilisi, Georgia
 (540)



(591) Brown, bordeaux, dark green, sky-blue, golden
 (531) 02.01.01; 02.01.23; 28.19; 29.01.15
 (511) 33

(260) AM 2021 109945 A
 (210) AM 109945
 (220) 2020 09 30
 (731) LTD "Georgian Vine and Wine Company"
 Davit Aghmashenebeli Av. 179a, app. 25, 0112,
 Tbilisi, Georgia
 (540)



(591) Purple, bordeaux, turquoise, ochre, golden
 (531) 02.01.01; 02.01.23; 28.19; 29.01.15
 (511) 33

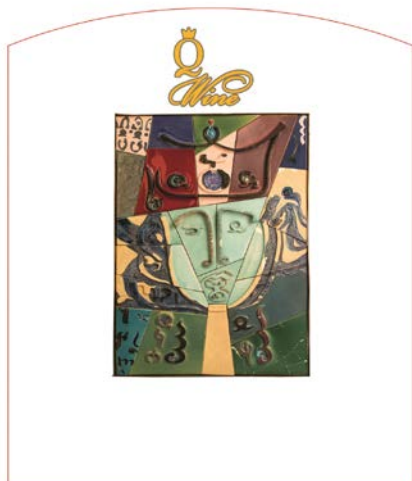
(260) AM 2021 109946 A
 (210) AM 109946
 (220) 2020 09 30
 (731) LTD "Georgian Vine and Wine Company"

Davit Aghmashenebeli Av. 179a, app. 25, 0112,
Tbilisi, Georgia
(540)



(591) Orange, sky-blue, purple, black, golden
(531) 02.01.01; 02.01.09; 02.01.23; 28.19; 29.01.15
(511) 33

(260) AM 2021 109947 A
(210) AM 109947
(220) 2020 09 30
(731) LTD "Georgian Vine and Wine Company"
Davit Aghmashenebeli Av. 179a, app. 25, 0112,
Tbilisi, Georgia
(540)



(591) Golden, sky-blue, purple, ivory, brown, dark
green, bordeaux
(531) 02.01.01; 02.01.23; 28.19; 29.01.15
(511) 33

(260) AM 2021 109954 A
(210) AM 109954
(220) 2020 10 01
(731) Majid Al Futtaim Hypermarkets LLC

5th Floor, MAF Tower 1, Port Saeed, Deira,
United Arab Emirates
(740) Merab Kvimsadze
(540)

LA COLLECTION

(591) Black-white
(531) 26.04.19
(511) 9, 14, 18, 22, 23, 24, 25, 26, 27

(260) AM 2021 109957 A
(210) AM 109957
(220) 2020 10 01
(731) LTD "Golden Fox"
Manjgaladze St. 16, 0105, Tbilisi, Georgia
(540)



(591) FCF9F9 white, 110B0B black
(531) 23.01.01; 24.13.25; 26.04.02; 26.04.22;
26.04.24; 27.05.01; 27.05.24
(511) 28

(260) AM 2021 109959 A
(210) AM 109959
(220) 2020 10 01
(731) Zhejiang Geely Holding Group Co., LTD
1760 Jiangling Road, Binjiang District,
Hangzhou, Zhejiang, China
(740) Tamaz Shilakadze
(540)

FARIZON

(591) Blue
(531) 27.05.17; 29.01.04
(511) 12, 37

(260) AM 2021 109960 A
(210) AM 109960
(220) 2020 10 01
(731) Zhejiang Geely Holding Group Co., LTD
1760 Jiangling Road, Binjiang District,
Hangzhou, Zhejiang, China
(740) Tamaz Shilakadze

(540)



(591) Blue, silver
(531) 24.11.25; 26.05.02; 26.05.12; 29.01.12
(511) 12, 37

(260) AM 2021 110119 A
(210) AM 110119
(220) 2020 10 12
(731) Ajinomoto Co., Inc.
15-1, Kyobashi 1-chome, Chuo-ku, Tokyo,
Japan
(740) Tamar Kochlamazashvili
(540)

OYAKATA

(591) Black-white
(511) 29, 30

(260) AM 2021 110120 A
(210) AM 110120
(220) 2020 10 12
(731) Ajinomoto Co., Inc.
15-1, Kyobashi 1-chome, Chuo-ku, Tokyo,
Japan
(740) Tamar Kochlamazashvili
(540)



(591) Black-white
(531) 28.03
(511) 29, 30

(260) AM 2021 110121 A
(210) AM 110121
(220) 2020 10 12
(731) Ajinomoto Co., Inc.
15-1, Kyobashi 1-chome, Chuo-ku, Tokyo,
Japan
(740) Tamar Kochlamazashvili

(540)



(591) Black, white, red, yellow, beige
(531) 02.05.04; 02.05.23; 29.01.15
(511) 29, 30

(260) AM 2021 110124 A
(210) AM 110124
(220) 2020 10 13
(731) Toyota Jidosha Kabushiki Kaisha
(also trading as Toyota Motor Corporation)
1, Toyota-cho, Toyota-shi, Aichi-ken, Japan
(740) Tamar Kochlamazashvili
(540)

RX500h

(591) Black-white
(531) 27.05.12; 27.07.11
(511) 12

(260) AM 2021 110125 A
(210) AM 110125
(220) 2020 10 13
(731) LTD "Zoomer Georgia"
Tsabadze St. 8, 0112, Tbilisi, Georgia
(540)

რას ელოდები?

(591) Black-white
(511) 35

(260) AM 2021 110131 A
(210) AM 110131
(220) 2020 10 15
(731) Tengiz Bolghashvili
Atskuri St. 28, 0141, Tbilisi, Georgia
(540)



(591) White, blue
(531) 26.01.01; 26.01.03; 26.01.22; 26.01.24; 28.19;
29.01.12
(511) 43

REGISTERED TRADEMARKS

(111) M 2021 33914 R
 (151) 2021 04 19
 (181) 2031 04 19
 (260) AM 2020 106675 A
 (220) 2020 01 23

(732) Yargici Konfeksiyon İhracat Ve Ticaret
 Anonim Şirketi
 Hacıahmet mahallesi İrmak caddesi No: 1-9,
 Dolapdere Beyoğlu – İstanbul 34440, Turkey

(111) M 2021 33915 R
 (151) 2021 04 19
 (181) 2031 04 19
 (260) AM 2020 106943 A
 (220) 2020 02 04

(732) LLC "Bolero & Company"
 Kuchishvili St. 12-14-16, 0179, Tbilisi,
 Georgia

(111) M 2021 33916 R
 (151) 2021 04 19
 (181) 2031 04 19
 (260) AM 2020 106944 A
 (220) 2020 02 04

(732) LLC "Bolero & Company"
 Kuchishvili St. 12-14-16, 0179, Tbilisi,
 Georgia

(111) M 2021 33917 R
 (151) 2021 04 19
 (181) 2031 04 19
 (260) AM 2020 107312 A
 (220) 2020 02 27

(732) Fraser Research Labs Inc.
 25 Sheppard Avenue West, Suite 300, Toronto,
 Ontario, M2N 6S6, Canada

(111) M 2021 33918 R
 (151) 2021 04 19
 (181) 2031 04 19
 (260) AM 2020 107469 A
 (220) 2020 03 06

(732) Valio Ltd
 Meijeritie 6, Helsinki, FI-00370, Finland

(111) M 2021 33919 R
 (151) 2021 04 19
 (181) 2031 04 19
 (260) AM 2020 107568 A
 (220) 2020 03 17

(732) LLC "Geo Olimp"
 R. Eristavi St. 16, Tbilisi, Georgia

(111) M 2021 33920 R
 (151) 2021 04 19
 (181) 2031 04 19
 (260) AM 2020 107569 A
 (220) 2020 03 17

(732) LLC "Geo Olimp"
 R. Eristavi St. 16, Tbilisi, Georgia

(111) M 2021 33921 R
 (151) 2021 04 19
 (181) 2031 04 19
 (260) AM 2020 107570 A
 (220) 2020 03 17

(732) LLC "Geo Olimp"
 R. Eristavi St. 16, Tbilisi, Georgia

(111) M 2021 33922 R
 (151) 2021 04 19
 (181) 2031 04 19
 (260) AM 2020 107571 A
 (220) 2020 03 17

(732) LLC "Geo Olimp"
 R. Eristavi St. 16, Tbilisi, Georgia

(111) M 2021 33923 R
 (151) 2021 04 19
 (181) 2031 04 19
 (260) AM 2020 107572 A
 (220) 2020 03 17

(732) LLC "Geo Olimp"
 R. Eristavi St. 16, Tbilisi, Georgia

(111) M 2021 33924 R
 (151) 2021 04 19
 (181) 2031 04 19
 (260) AM 2020 107574 A
 (220) 2020 03 17

(732) LLC "Geo Olimp"
 R. Eristavi St. 16, Tbilisi, Georgia

(111) M 2021 33925 R
 (151) 2021 04 19
 (181) 2031 04 19
 (260) AM 2020 107660 A
 (220) 2020 03 26

(732) JSC "Gomi Alcohol & Vodka Company"
Vill. Gomi, Khashuri District, Georgia

(111) M 2021 33926 R
(151) 2021 04 19
(181) 2031 04 19
(260) AM 2020 107804 A
(220) 2020 04 06

(732) Ma Huanhuan
№808, building A, the Pacific mansion,
№176, Heishui road, Kuancheng district,
Changchun city, China

(111) M 2021 33927 R
(151) 2021 04 19
(181) 2031 04 19
(260) AM 2020 107805 A
(220) 2020 04 06

(732) Ma Huanhuan
№808, building A, the Pacific mansion,
№176, Heishui road, Kuancheng district,
Changchun city, China

(111) M 2021 33928 R
(151) 2021 04 19
(181) 2031 04 19
(260) AM 2020 107930 A
(220) 2020 04 16

(732) Getz Pharma International FZ LLC
Office No. 1307, 13th Floor, Al-Thuraya Tower
1, Dubai Media City, Dubai, United Arab
Emirates

(111) M 2021 33929 R
(151) 2021 04 19
(181) 2031 04 19
(260) AM 2020 108067 A
(220) 2020 04 29

(732) Brandt Consolidated Inc.
(Delaware Corporation)
2935 S. Koke Mill Road, Springfield, Illinois
62711, USA

(111) M 2021 33930 R
(151) 2021 04 19
(181) 2031 04 19
(260) AM 2020 108072 A
(220) 2020 04 30

(732) LLC "Alpen Milk"
David Aghmashenebeli St. 28/1, Akhalkalaki,
Georgia

(111) M 2021 33931 R
(151) 2021 04 19
(181) 2031 04 19
(260) AM 2020 108130 A
(220) 2020 05 06

(732) Streamax Technology Co., Ltd
21-23/F B1 Building, Zhiyuan, No.1001
Xueyuan Avenue, Nanshan District, Shenzhen
City, Guangdong Province, China

(111) M 2021 33932 R
(151) 2021 04 19
(181) 2031 04 19
(260) AM 2020 108225 A
(220) 2020 05 14

(732) Gilead Sciences Ireland UC
IDA Business and Technology Park,
Carrigtohill, Co. Cork, Ireland

(111) M 2021 33933 R
(151) 2021 04 19
(181) 2031 04 19
(260) AM 2020 108299 A
(220) 2020 05 18

(732) LTD "Askaneli Group"
Kakheti Highway 110a (plot 01/016),
0101, Samgori District, Tbilisi, Georgia

(111) M 2021 33934 R
(151) 2021 04 19
(181) 2031 04 19
(260) AM 2020 108384 A
(220) 2020 05 22

(732) LTD "Kvareli Palace"
I. Chavchavadze St. 52, Kvareli, Georgia

(111) M 2021 33935 R
(151) 2021 04 19
(181) 2031 04 19
(260) AM 2020 108385 A
(220) 2020 05 22

(732) Bayer Consumer Care AG
Peter Merian-Str. 84, 4052 Basel, Switzerland

(111) M 2021 33936 R
(151) 2021 04 19
(181) 2031 04 19
(260) AM 2020 108386 A
(220) 2020 05 22

(732) Bayer Consumer Care AG
Peter Merian-Str. 84, 4052 Basel, Switzerland

(111) M 2021 33937 R
(151) 2021 04 19
(181) 2031 04 19
(260) AM 2020 108387 A
(220) 2020 05 22
(732) Bayer Consumer Care AG
Peter Merian-Str. 84, 4052 Basel, Switzerland

(111) M 2021 33938 R
(151) 2021 04 19
(181) 2031 04 19
(260) AM 2020 108388 A
(220) 2020 05 22
(732) Bayer Consumer Care AG
Peter Merian-Str. 84, 4052 Basel, Switzerland

(111) M 2021 33939 R
(151) 2021 04 19
(181) 2031 04 19
(260) AM 2020 108612 A
(220) 2020 06 12
(732) Netflix Inc.
100 Winchester Circle, Los Gatos, CA
95032, USA

(111) M 2021 33940 R
(151) 2021 04 19
(181) 2031 04 19
(260) AM 2020 108613 A
(220) 2020 06 12
(732) Netflix Inc.
100 Winchester Circle, Los Gatos, CA
95032, USA

(111) M 2021 33941 R
(151) 2021 04 19
(181) 2031 04 19
(260) AM 2019 104567 A
(220) 2019 08 22
(732) JSC "Chateau Mukhrani"
Vill. Mukhrani, 3309, Mtskheta, Georgia

TRADEMARKS REGISTERED ACCORDING TO THE ACCELERATED PROCEDURE

The decision can be appealed at the Chamber of Appeal of Sakpatenti within 3 months from the publication.

(111) M 2021 33896 R
 (151) 2021 04 05
 (181) 2031 04 05
 (210) AM 112296
 (220) 2021 03 24
 (732) JSC "WOLLS"
 E. Amashukeli St. 23, Fl. 16, app. 103,
 Vake District, Tbilisi, Georgia
 (540)

ვოლსი

(591) 070707 black, FFFFFFF white
 (511) 36, 37

(111) M 2021 33897 R
 (151) 2021 04 05
 (181) 2031 04 05
 (210) AM 112308
 (220) 2021 03 25
 (732) LTD "Green Oil"
 Nikoloz Kakhiani St. 29, Nadzaladevi
 District, Tbilisi, Georgia
 (540)



(591) White, green, grey
 (531) 01.15.05; 01.15.11; 27.05.01; 27.05.11;
 29.01.13
 (511) 35, 37

(111) M 2021 33898 R
 (151) 2021 04 07
 (181) 2031 04 07
 (210) AM 111867
 (220) 2021 02 24
 (732) LLC "Alazani Winery"
 Demetre Tavidadbuli St. 3, 4800, Kvareli,
 Georgia

(111) M 2021 33898 R
 (151) 2021 04 07
 (181) 2031 04 07
 (210) AM 111867
 (220) 2021 02 24
 (732) LLC "Alazani Winery"
 Demetre Tavidadbuli St. 3, 4800, Kvareli,
 Georgia
 (740) Giorgi Kartvelishvili
 (540)



(591) Golden, black
 (531) 19.07.01; 19.07.09; 19.07.16; 29.01.12
 (511) 33

(111) M 2021 33899 R
 (151) 2021 04 07
 (181) 2031 04 07
 (210) AM 111868
 (220) 2021 02 24
 (732) LLC "Alazani Winery"
 Demetre Tavidadbuli St. 3, 4800, Kvareli,
 Georgia
 (740) Giorgi Kartvelishvili
 (540)



(591) Grey, white, black
(531) 19.07.01; 19.07.09; 19.07.16
(511) 33

(111) M 2021 33900 R
(151) 2021 04 07
(181) 2031 04 07
(210) AM 112183
(220) 2021 03 16
(732) Revaz Tsirekidze
Tamarashvili St. 10, app. 42, Tbilisi, Georgia
(540)



(591) White, green, sky-blue, blue, yellow, orange
(531) 06.19.11; 19.03.01; 19.03.03; 19.03.25;
29.01.14
(511) 29

(111) M 2021 33901 R
(151) 2021 04 08
(181) 2031 04 08
(210) AM 111866
(220) 2021 02 24
(732) LLC "Alazani Winery"
Demetre Tavdadebuli St. 3, 4800, Kvareli,
Georgia
(740) Giorgi Kartvelishvili
(540)

Caucasian aroma

(591) Black-white
(511) 33

(111) M 2021 33902 R
(151) 2021 04 08
(181) 2031 04 08
(210) AM 112405
(220) 2021 03 30
(732) Nobel Ilac Sanayii Ve Ticaret Anonim Sirketi
Representative in Georgia
Liberty Square 4, 0105, Tbilisi, Georgia
(740) Tinatin Tskhvediani
(540)

Lorclast ლორკლასტი

(591) Black-white
(511) 5, 35

(111) M 2021 33903 R
(151) 2021 04 09
(181) 2031 04 09
(210) AM 112156
(220) 2021 03 12
(732) JSC "Lomisi"
Vill. Natakhtari, 3308, Mtskheta, Georgia
(540)

Zigzag ზიგზაგო

(591) Black-white
(511) 32, 33

(111) M 2021 33904 R
(151) 2021 04 09
(181) 2031 04 09
(210) AM 112157
(220) 2021 03 12
(732) JSC "Lomisi"
Vill. Natakhtari, 3308, Mtskheta, Georgia
(540)

ReMix რემიქსი

(591) Black-white
(511) 32, 33

(111) M 2021 33905 R
(151) 2021 04 09
(181) 2031 04 09
(210) AM 112384
(220) 2021 03 27
(731) LTD "Georgian Vine and Wine Company"
Davit Aghmashenebeli Av. 179a, app. 25,
0112, Tbilisi, Georgia
(540)

ჩუმად ჩუ CHUMAD CHU ЧУМАД ЧУ

(591) Black-white
(511) 33

(111) M 2021 33906 R
(151) 2021 04 12
(181) 2031 04 12
(210) AM 112494
(220) 2021 04 06
(732) JSC "Georgian Bank"
Gagarin St. 29a, 0160, Tbilisi, Georgia
(740) Giorgi Taktakishvili

(540)



(591) Orange
(531) 28.19; 29.01.01
(511) 35, 36, 41

(111) M 2021 33907 R
(151) 2021 04 13
(181) 2031 04 13
(210) AM 112474
(220) 2021 04 04
(731) LLC "Georgian Vine and Wine Company"
Davit Aghmashenebeli Av. 179a, app. 25,
0112, Tbilisi, Georgia

(540)

LITERMAN
ლიტერმენი

Литермен

(591) Black-white
(511) 33

(111) M 2021 33908 R
(151) 2021 04 13
(181) 2031 04 13
(210) AM 112078
(220) 2021 03 10
(732) LLC "Alazani Winery"
Demetre Tavdadebuli St. 3, 4800, Kvareli,
Georgia

(740) Giorgi Kartvelishvili

(540)

lost & found

(591) Black-white
(511) 33

(111) M 2021 33909 R
(151) 2021 04 13
(181) 2031 04 13
(210) AM 112181
(220) 2021 03 16
(732) LTD "New Vision"
Gldani, II mcr., corp. 29, app. 2, Tbilisi,
Georgia

(540)



(591) 14699B blue, FFFFFFF white
(531) 01.13.15; 26.01.06; 26.04.02; 26.04.10;
26.04.16; 26.04.22; 27.05.01; 27.05.24;
29.01.12
(511) 5, 10, 44

(111) M 2021 33910 R
(151) 2021 04 15
(181) 2031 04 15
(210) AM 112388
(220) 2021 03 29
(732) Sector 3
Ak. Shanidze St. 8, 0179, Tbilisi, Georgia
(540)



(591) 58595B dark grey, 10BEC2 azure
(531) 27.05.01; 27.07.01; 28.19; 29.01.12
(511) 35, 41, 42, 45

(111) M 2021 33911 R
(151) 2021 04 15
(181) 2031 04 15
(210) AM 112591
(220) 2021 04 13
(732) LTD "Partner"
M. Kavtaradze St. 11, 0180, Tbilisi, Georgia
(740) Melano Gogisvanidze
(540)



(591) 88807B grey, FAF4DF light cream,
ED2224 warm red, F9F8F2 golden,
06273D dark blue
(531) 03.04.01; 03.04.02; 03.04.04; 03.04.05;
03.04.13; 26.04.01; 26.04.04; 26.04.19;
26.04.24; 27.05.01; 27.05.24; 29.01.13
(511) 29

(111) M 2021 33912 R
(151) 2021 04 16
(181) 2031 04 16
(210) AM 112502
(220) 2021 04 07

(732) LLC "IT Vision"

Davit Aghmashenebeli Av. 86,
Sankt Peterburg St. 1 (ex 90), fl. 4, app. 48,
0102, Chugureti District, Tbilisi, Georgia

(540)



(591) Blue, pink, yellow

(531) 02.09.04; 26.11.08; 27.03.01; 27.03.02;
27.05.02; 29.01.13

(511) 35

(540)



(591) FFFFFFF white, 14699B blue

(531) 01.13.15; 26.01.06; 26.04.02; 26.04.10;
26.04.16; 26.04.22; 27.05.01; 27.05.24; 28.19;
29.01.12

(511) 5, 10, 44

(111) M 2021 33913 R

(151) 2021 04 16

(181) 2031 04 16

(210) AM 112303

(220) 2021 03 25

(732) LTD "Georgian Wine and Spirits Company"

Vill. Achinebuli, 2200, Telavi, Georgia

(740) Elene Totibadze

(540)



(591) Black, white, grey

(531) 02.01.20; 02.01.21; 02.01.22; 22.05.03;
22.05.17; 22.05.25; 27.05.01; 27.05.10;
27.05.23

(526) GEORGIA

(511) 33

(111) M 2021 33942 R

(151) 2021 04 19

(181) 2031 04 19

(210) AM 112586

(220) 2021 04 12

(732) LTD "New Vision"

Gldani, II mcr., corp. 29, app. 2, Tbilisi,
Georgia

INTERNATIONAL TRADEMARKS FOR WHICH A DECISION ON GRANTING PROTECTIONS IS TAKEN

The decision can be appealed at the Chamber of Appeal of Sakpatenti within 3 months from the publication or at the Mtskheta District Court Administrative Cases Board (Address: №17, Samkhedro str., Mtskheta), within 1 month following the publication.

(260) AM 2021 105413 A
 (800) 1493282
 (151) 2019 07 02
 (891) 2019 07 02
 (731) Obshestvo s ogranichennoy otvetstvennostyu "DIVA-TEKS"
 Abdulla Kahhar Street, 41A, drive 7,
 Yakkasarayskiy district, Tashkent 100100,
 Uzbekistan
 (540)



(591) Light-brown and milky
 (531) 03.02.01; 03.02.24; 27.05.01; 29.01.07
 (511)
 25 – Knitted clothing for children; clothing for babies;
 articles of clothing for babies and toddlers.

(260) AM 2021 107352 A*
 (800) 1516962
 (151) 2019 12 16
 (891) 2019 12 16
 (731) "INTERNATIONAL MASIS TABAK" LLC
 10 Hrant Vardanyan str., 0802 Masis,
 Ararat Region, Armenia
 (540)



(591) Light and dark blue, silver, golden, violet,
 brown, black and white

(531) 10.01.05; 19.03.24; 26.07.25; 27.05.09;
 29.01.15
 (526) All verbal records except word "GALLANT".
 (511)
 34 – Raw and manufactured tobacco; cigarettes; papi-
 rosas (cigarettes without filter and with paper mouth-
 piece); cigarillos; cigars; chewing tobacco; cigarettes
 containing tobacco substitutes, not for medical pur-
 poses; herbs for smoking; snuff; electronic cigarettes;
 liquid solutions for use in electronic cigarettes; flavo-
 urings, other than essential oils, for use in electronic
 cigarettes; matches; match holders; match boxes; ligh-
 ters for smokers; gas containers for cigar lighters;
 firestones; ashtrays for smokers; spittoons for tobacco
 users; smokers' articles; tips of yellow amber for cigar
 and cigarette holders; tobacco pouches; cigarette tips;
 cigarette filters; tobacco pipes; cigar holders; mouth-
 pieces for cigarette holders; pipe cleaners for tobacco
 pipes; books of cigarette papers; absorbent paper for
 tobacco pipes; cigarette paper; cigar cutters; cigar ca-
 ses; cigarette cases; pipe racks for tobacco pipes; to-
 bacco jars; snuff boxes; humidors; pocket machines
 for rolling cigarettes; oral vaporizers for smokers;
 hookah; accessories and articles for hookahs, molas-
 ses for using in tobacco production; smokers' articles,
 including molasses non-medical; cigarette and molas-
 ses' aromatic mixtures for use in hookah.

(260) AM 2021 108800 A
 (800) 1537234
 (151) 2019 12 27
 (891) 2019 12 27
 (731) GALERİ KRİSTAL TURİZM İNŞAAT
 PAZARLAMA VE TİCARET ANONİM
 ŞİRKETİ
 Havaalanı Yolu 11 Km., Serik Cad. No.371,
 Altnova Kepez, Antalya, Turkey
 (540)



(591) Blue

(531) 01.01.05; 01.01.10; 01.15.21; 24.17.02;
24.17.25; 27.05.09; 27.05.10

(511)

41 – Arranging and conducting of conferences, congresses and seminars.

(260) AM 2021 108908 A

(800) 1538669

(151) 2020 02 03

(891) 2020 02 03

(731) FIDIA FARMACEUTICI S.p.A.

Via Ponte della Fabbrica, 3/A, I-35031

ABANO TERME (PD), Italy

(540)

FHA 1.0

(591) Black, white

(531) 24.17.01; 24.17.02; 27.05.01; 27.07.01

(511)

1 – Chemicals for use in industry and science; biological preparations for use in industry and science; active chemical ingredients for use in the manufacture of pharmaceuticals.

5 – Pharmaceutical preparations; medical and veterinary preparations; sanitary preparations for medical purposes; dietetic food and substances adapted for medical or veterinary use; dietary supplements for humans and animals; plasters, materials for dressings; disinfectants; fungicides; parapharmaceutical preparations; medicinals, chemical preparations for medical or pharmaceutical purposes; active pharmaceutical ingredients for the productions of pharmaceutical preparations, namely chemicals and biological preparations for pharmaceutical purposes; pre-filled syringes for medical purposes; medicated food supplements; nutritional dietary supplements; vitamins; solutions for contact lenses; ophthalmologic preparations; eye drops; ophthalmic preparations for use in ocular surgery; collyrium and artificial tears; medicated creams or gels for the countour of the eyes.

10 – Surgical and medical apparatus and instruments; medical devices; artificial limbs; artificial eyes and teeth; ophthalmological instruments.

(260) AM 2021 108909 A

(800) 1538713

(151) 2020 06 03

(891) 2020 06 03

(731) Shenzhen Jasic Technology Co., Ltd.

No.3, Qinglan 1st Road, Pingshan District,

Shenzhen, China

(540)

EVOLVE

(591) Black, white

(531) 27.05.01

(511)

7 – Welding machines, electric; electric arc welders; gas welding machines; welding machines; soldering irons, gas-operated; soldering blow pipes, gas-operated; electrodes for welding machines; electric welding apparatus; welding torches; industrial robots.

(260) AM 2021 108910 A

(800) 1538769

(151) 2020 04 09

(891) 2020 04 09

(731) Pryvatne aktsionerne tovarystvo "Chumak"

vul. Kozatska, 3, m. Kakhovka, Khersonska
obl. 74800, Ukraine

(540)



(591) Blue and white

(531) 25.01.06; 27.05.24; 29.01.12

(511)

29 – Meat, fish, poultry and game; meat extracts; preserved, frozen, dried and cooked fruits and vegetables; jellies, jams, compotes; eggs; milk, cheese, butter, yogurt and other milk products; oils and fats for food; agar-agar for culinary purposes; aloe vera prepared for human consumption; albumin milk; alginates for culinary purposes; andouillettes; anchovy, not live; peanuts, prepared; peanut butter; peanut milk; peanut milk for culinary purposes; artichokes, preserved; bacon; albumen for culinary purposes; white of eggs; beans, preserved; bulgogi; bouillon; bouillon concentrates; compotes; cream [dairy products]; potato-based dumplings; oat milk; laver, preserved; sea-cucumbers, not live; cabbage rolls stuffed with meat; flavored nuts; nuts, prepared; peas, preserved; mushrooms, preserved; guacamole; potato fritters; jams; game, not live; non-alcoholic eggnog; seaweed extracts for food; gelatine; meat jellies; jellies for food; bone oil for food; lard; suet for food; fatty substances for the manufacture of edible fats; fat-containing mixtures for bread slices; yolk of eggs; cranberry compote; fruit-based snack food; milk substitutes; frozen fruits; salted fish; candied nuts; whipped cream; condensed milk; eggplant paste; vegetable marrow paste; fish roe, prepared; ginger, preserved; crystallized ginger; pickled ginger; ginger jam; edible insects, not live; yogurt; sauerkraut; potato flakes; cassoulet; quark; edible flowers, dried; kephir; onion rings; kimchi; clams, not live; klipfish [salted and dried cod]; black pudding; white pudding; charcuterie; coconut oil for food; coconut butter; coconut milk; coconut milk for culinary purposes; coconut fat; coconut, desiccated; milk shakes; arrangements of processed fruit; duck

confits; vegetable-based concentrate for cooking; fruit-based concentrate for cooking; corn dogs; gherkins; tofu patties; shrimps, not live; prawns, not live; vegetable-based cream; croquettes; sweet corn, processed; corn oil for food; kumys; sesame oil for food; spiny lobsters, not live; lecithin for culinary purposes; lemon juice for culinary purposes; edible ant larvae, prepared; silkworm chrysalis for human consumption; margarine; butter; cocoa butter for food; buttercream; almond milk; almond milk for culinary purposes; almonds, ground; mussels, not live; milk; fermented baked milk; soured milk; powdered milk; milk beverages, milk predominating; milk products; molluscs, not live; vegetable mousses; fish mousses; meat, tinned; meat; meat, preserved; vegetable-based spreads; lactic acid drinks; peanut milk-based beverages; coconut milk-based beverages; almond milk-based beverages; seeds, prepared; sunflower seeds, prepared; sausage casings, natural or artificial; vegetables, tinned; vegetable salads; vegetable juices for cooking; vegetables, preserved; vegetables, processed; vegetables, cooked; vegetables, dried; hash browns; olives, preserved; olive oil for food; extra virgin olive oil for food; linseed oil for food; lobsters, not live; omelettes; herrings, not live; palm oil for food; palm kernel oil for food; liver pate; pectin for culinary purposes; preserved peppers; liver; pollen prepared as foodstuff; pickles; tofu skin; marmalade; vegetable soup preparations; poultry, not live; crayfish, not live; crustaceans, not live; ratatouille; fish, preserved; fish, not live; salmon, not live; fish meal for human consumption; fish fillets; fish, tinned; isinglass for food; rice milk; rice milk for culinary purposes; colza oil for food; raisins; sardines, not live; satay; pork; cottage cheese; cheese; curd; cottage cheese fritters; whey; rennet; preparations for making bouillon; smetana; soya bean oil for food; soya milk; soya beans, preserved, for food; soya patties; salted meats; sunflower oil for food; sausages; hot dog sausages; sausages in batter; lentils, preserved; nut-based spreads; freeze-dried meat; freeze-dried vegetables; preparations for making soup; soups; tahini; tajine [prepared meat, fish or vegetable dish]; animal marrow for food; tripe; tempeh; tomato paste; tomato purée; tomato juice for cooking; tofu; truffles, preserved; tuna, not live; oysters, not live; falafel; milk ferments for culinary purposes; dates; fruit, preserved; crystallized fruits; fruit, processed; fruit, stewed; fruit preserved in alcohol; fruit peel; pressed fruit paste; fruit pulp; fruit jellies; fruits, tinned; fruit salads; hazelnuts, prepared; edible fats; oils for food; fish-based foodstuffs; edible birds' nests; hummus; onions, preserved; preserved garlic; shellfish, not live; potato chips; low-fat potato chips; fruit chips; caviar; ham; choucroute garnie; apple puree; berries, preserved; powdered eggs; snail eggs for consumption; yakitori.

30 – Coffee, tea, cocoa and artificial coffee; rice; tapioca and sago; flour and preparations made from ce-

reals; bread, pastries and confectionery; edible ices; sugar, honey, treacle; yeast, baking-powder; salt; mustard; vinegar, sauces (condiments); spices; ice (frozen water); peanut confectionery; flavorings, other than essential oils, for beverages; flavorings, other than essential oils, for cakes; food flavorings, other than essential oils; aromatic preparations for food; baozi; cereal bars; high-protein cereal bars; royal jelly; bibimbap [rice mixed with vegetables and beef]; bean meal; nut flours; buckwheat flour; tapioca flour; flour; bulgur; bread rolls; pains au chocolat; buns; burritos; vanillin [vanilla substitute]; vanilla flavorings for culinary purposes; waffles; vermicelli; flour-based dumplings; oatmeal; oat flakes; orange blossom water for culinary purposes; sausage binding materials; binding agents for ice cream; cookies; harissa [condiment]; cloves [spice]; mustard meal; cake frosting [icing]; glucose for culinary purposes; chocolate-coated nuts; garden herbs, preserved [seasonings]; buckwheat, processed; mirror icing [mirror glaze]; gluten additives for culinary purposes; yeast; dulce de leche; essences for foodstuffs, except etheric essences and essential oils; chewing gum for breath freshening; chewing gum; cranberry sauce [condiment]; custard; thickening agents for cooking foodstuffs; leaven; ferments for pastes; cereal-based snack food; rice-based snack food; artificial coffee; frozen yogurt [confectionery ices]; dressings for salad; wheat germ for human consumption; cereal preparations; ground ginger; edible paper; edible rice paper; coffee; unroasted coffee; coffee flavorings; coffee capsules, filled; coffee beverages with milk; cocoa; cocoa beverages with milk; capers; caramels [sweets]; curry [spice]; potato flour; flowers or leaves for use as tea substitutes; ketchup [sauce]; quinoa, processed; quiches; gluten prepared as foodstuff; confectionery; confectionery for decorating Christmas trees; cinnamon [spice]; crackers; rice crackers; cream of tartar for culinary purposes; crème brûlée; starch for food; croissants; hominy grits; groats for human food; ice cubes; corn, milled; corn, roasted; corn flour; corn flakes; turmeric; couscous; cooking salt; laksa; ice for refreshment; ice, natural or artificial; shaved ice with sweetened red beans; liquorice [confectionery]; noodles; soba noodles; udon noodles; ice pops; mints for breath freshening; mayonnaise; macaroni; pasta; macarons; coconut macarons; maltose; hominy; semolina; marinades; marzipan; honey; molasses for food; almond paste; almond confectionery; miso; pancakes; kimchi pancakes; savory pancakes; ice cream; sea water for cooking; seaweed [condiment]; dessert mousses [confectionery]; chocolate mousses; nutmegs; muesli; meat gravies; mint for confectionery; peppermint sweets; coffee-based beverages; cocoa-based beverages; chamomile-based beverages; tea-based beverages; chocolate-based beverages; aniseed; star aniseed; sesame seeds [seasonings]; linseed for culinary purposes [seasoning]; infusions, not medicinal; nougat; processed seeds for use as a seasoning; crushed oats; onigiri;

vinegar; husked oats; husked barley; stick liquorice [confectionery]; palm sugar; edible paper wafers; ginger paste [seasoning]; pastilles [confectionery]; baking powder; pelmeni; allspice; peppers [seasonings]; pepper; pesto; petits fours; beer vinegar; pies; pâtés en croûte; meat pies; piccalilli; pizzas; chips [cereal products]; fondants [confectionery]; popcorn; powders for making ice cream; pralines; candy decorations for cakes; chocolate decorations for cakes; condiments; natural sweeteners; seasonings; oat-based food; propolis; profiteroles; gingerbread; puddings; cake powder; wheat flour; ravioli; ramen; relish [condiment]; meat tenderizers for household purposes; preparations for stiffening whipped cream; instant rice; prepared rice rolled in seaweed; rice pulp for culinary purposes; rice pudding; rice cakes; vegetal preparations for use as coffee substitutes; sago; sandwiches; hot dog sandwiches; celery salt; agave syrup [natural sweetener]; golden syrup; salt for preserving foodstuffs; soya flour; soya sauce; malt for human consumption; malt biscuits; malt extract for food; sweets; sorbets [ices]; sauces [condiments]; pasta sauce; spaghetti; chocolate-based spreads; chocolate spreads containing nuts; spring rolls; noodle-based prepared meals; freeze-dried dishes with the main ingredient being pasta; freeze-dried dishes with the main ingredient being rice; ham glaze; savory pancake mixes; batter mixes; croûtons; rusks; breadcrumbs; petit-beurre biscuits; sushi; tabbouleh; tacos; tamarind [condiment]; tapioca; tarts; cakes; dough; cake dough; pastry dough; tomato sauce; potato-based flatbreads; tortillas; fruit jellies [confectionery]; fruit confectionery; fruit coulis [sauces]; halvah; baking soda [bicarbonate of soda for cooking purposes]; gluten-free bread; unleavened bread; bread; pastries; jiaozi; chicory [coffee substitute]; crystallized rock sugar; sugar; kelp tea; iced tea; tea; minced garlic [condiment]; chutneys [condiments]; cheeseburgers [sandwiches]; chow-chow [condiment]; saffron [seasoning]; chocolate; chocolate beverages with milk; apple sauce [condiment]; barley meal; crushed barley.

31 – Raw and unprocessed agricultural, aquacultural, horticultural and forestry products; raw and unprocessed grains and seeds; fresh fruits and vegetables, fresh herbs; natural plants and flowers; bulbs, seedlings and seeds for planting; live animals; foodstuffs and beverages for animals; malt; algarovilla for animal consumption; anchovy, live; oranges, fresh; peanuts, fresh; peanut cake for animals; peanut meal for animals; aromatic sand [litter] for pets; artichokes, fresh; draff; beans, fresh; meal for animals; flax meal [fodder]; linseed meal for animal consumption; beet, fresh; lime for animal forage; grapes, fresh; vine plants; bran; bran mash for animal consumption; bagasses of cane [raw material]; wreaths of natural flowers; dog biscuits; squashes, fresh; sea-cucumbers, live; kola nuts; nuts, unprocessed; garden herbs, fresh; peas, fresh; buckwheat, unprocessed; mushrooms,

fresh; mushroom spawn for propagation; trees; wood chips for the manufacture of wood pulp; turf, natural; yeast for animal consumption; live animals; rye; edible chews for animals; residue in a still after distillation; wheat germ for animal consumption; menagerie animals; grains [cereals]; grains for animal consumption; ginger, fresh; edible insects, live; vegetable marrows, fresh; cocoa beans, raw; potatoes, fresh; chestnuts, fresh; flowers, natural; flowers, dried, for decoration; edible flowers, fresh; quinoa, unprocessed; cuttle bone for birds; coconuts; arrangements of fresh fruit; copra; rough cork; roots for animal consumption; chicory roots; bird food; animal foodstuffs; pet food; fodder; distillery waste for animal consumption; koi carp, live; nettles; groats for poultry; maize; maize cake for cattle; edible sesame, unprocessed; shrubs; spiny lobsters, live; lemons, fresh; palms [leaves of the palm tree]; oil cake; almonds [fruits]; mussels, live; mash for fattening livestock; molluscs, live; algae, unprocessed, for human or animal consumption; straw mulch; fruit residue [marc]; fishing bait, live; freeze-dried fishing bait; beverages for pets; seeds for planting; cereal seeds, unprocessed; linseed for animal consumption; edible linseed, unprocessed; undressed timber; raw barks; unprocessed sweet corn ears [husked or unhusked]; unsawn timber; Christmas trees; oats; vegetables, fresh; cucumbers, fresh; olives, fresh; lobsters, live; herrings, live; palm trees; sanded paper [litter] for pets; peppers [plants]; pollen [raw material]; litter for animals; bred stock; locust beans, raw; animal fattening preparations; by-products of the processing of cereals, for animal consumption; preparations for egg laying poultry; seed germ for botanical purposes; poultry, live; wheat; crayfish, live; crustaceans, live; rhubarb, fresh; fish, live; salmon, live; fish meal for animal consumption; fish spawn; rice, unprocessed; rice meal for forage; rape cake for cattle; seedlings; plants; aloe vera plants; plants, dried, for decoration; cannabis plants; cannabis, unprocessed; lettuce, fresh; sardines, live; salt for cattle; hay; seedlings; soya beans, fresh; malt for brewing and distilling; straw [forage]; straw litter; pine cones; lentils, fresh; stall food for animals; trunks of trees; litter peat; rose bushes; truffles, fresh; tuna, live; oysters, live; fruit, fresh; hazelnuts, fresh; strengthening animal forage; hop cones; hops; flower bulbs; leeks, fresh; onions, fresh; chicory, fresh; citrus fruit, fresh; sugarcane; garlic, fresh; shellfish, live; coconut shell; silkworms; spinach, fresh; berries, fresh; eggs for hatching, fertilized; silkworm eggs; juniper berries; barley.

32 – Beers; non-alcoholic beverages; mineral and aerated waters; fruit beverages and fruit juices; syrups and other non-alcoholic preparations for making beverages; aperitifs, non-alcoholic; non-alcoholic essences for making beverages; non-alcoholic dried fruit beverages; non-alcoholic beverages flavored with coffee; non-alcoholic beverages flavored with tea; non-

alcoholic honey-based beverages; non-alcoholic preparations for making beverages; non-alcoholic fruit extracts; non-alcoholic fruit juice beverages; grape must, unfermented; waters [beverages]; aerated water; extracts of hops for making beer; seltzer water; isotonic beverages; ginger beer; kvass; cocktails, non-alcoholic; beer-based cocktails; lemonades; lithia water; mineral water [beverages]; energy drinks; aloe vera drinks, non-alcoholic; rice-based beverages, other than milk substitutes; soya-based beverages, other than milk substitutes; whey beverages; vegetable juices [beverages]; orgeat; beer wort; beer; powders for effervescing beverages; sarsaparilla [non-alcoholic beverage]; cider, non-alcoholic; syrups for lemonade; syrups for beverages; preparations for making aerated water; smoothies; soda water; fruit juices; malt beer; malt wort; protein-enriched sports beverages; table waters; must; pastilles for effervescing beverages; tomato juice [beverage]; soft drinks; fruit nectars, non-alcoholic; shandy; sherbets [beverages]; barley wine [beer].

(260) AM 2021 108911 A

(800) 1538780

(151) 2020 02 17

(891) 2020 02 17

(731) LANyAN Limited Company

1011, building 19, donghai taihe plaza, fenghai road, donghai street, fengze district, quanzhou city, 362000 fujian province, China

(540)

LANYAN 兰研

(591) Black, white

(531) 27.05.01; 28.03

(511)

3 – Facial cleanser; cosmetics; toothpaste; essential oil; oils for cleaning purposes; incense; polishing cream; body wash for pets (non-medicated cleaning preparation); abrasive preparations; air fragrancing preparations.

(260) AM 2021 108913 A

(800) 1538801

(151) 2020 05 28

(891) 2020 05 28

(731) Bayer Consumer Care AG

Peter Merian-Strasse 84, CH-4052 Basel, Switzerland

(540)

ANTIFLURHIN

(591) Black, white

(511)

5 – Pharmaceutical preparations; dietetic substances for medical use.

(260) AM 2021 108914 A

(800) 1538834

(151) 2020 05 20

(891) 2020 05 20

(731) Obshchestvo s ogranichennoi otvetstvennost'yu

"Laboratoriya sovremennogo zdorov'ya"

ul. Khimzavodskaya, 11/20, RU-633004

Berdsk, Novosibirskaya oblast', Russian

Federation

(540)



(591) Black, white

(531) 24.17.04; 26.04.05; 26.04.18; 26.04.24;

27.05.17; 27.05.24

(511)

5 – Acne treatment preparations; adhesive plasters; albumin dietary supplements; albuminous foodstuffs for medical purposes; albuminous preparations for medical purposes; alginate dietary supplements; aloe vera preparations for pharmaceutical purposes; amino acids for medical purposes; antibacterial handwashes; antibacterial soap; antioxidant pills; antiseptic cotton; antiseptics; anti-uric preparations; appetite suppressant pills; appetite suppressants for medical purposes; asthmatic tea; barks for pharmaceutical purposes; bath salts for medical purposes; biological preparations for medical purposes; casein dietary supplements; chemico-pharmaceutical preparations; chewing gum for medical purposes; chilblain preparations; cod liver oil; collyrium; decoctions for pharmaceutical purposes; depuratives; dietary fiber; dietetic beverages adapted for medical purposes; dietetic foods adapted for medical purposes; dietetic substances adapted for medical use; digestives for pharmaceutical purposes; disinfectants for hygiene purposes; elixirs [pharmaceutical preparations]; enzyme dietary supplements; enzyme preparations for medical purposes; enzymes for medical purposes; eucalyptus for pharmaceutical purposes; febrifuges; flour for pharmaceutical purposes; food for babies; freeze-dried food adapted for medical purposes; frostbite salve for pharmaceutical purposes; gauze for dressings; gelatine for medical purposes; glucose dietary supplements; glucose for medical purposes; hematogen; herbal teas for medicinal purposes; homogenized food adapted for medical purposes; immunostimulants; infant formula; lacteal flour for babies; lactose for pharmaceutical purposes; lecithin dietary supplements; liniments; linseed dietary supplements; linseed for pharmaceutical purposes; linseed oil dietary supplements; lotions for pharmaceutical purposes; medical preparations for slimming

purposes; medicated after-shave lotions; medicated candies; medicated dentifrices; medicated dry shampoos; medicated hair lotions; medicated shampoos; medicated soap; medicated toiletry preparations; medicinal drinks; medicinal herbs; medicinal infusions; medicinal mud; medicinal oils; medicinal roots; medicinal tea; medicines for human purposes; milk ferments for pharmaceutical purposes; mineral food supplements; mineral waters for medical purposes; mouthwashes for medical purposes; mud for baths; mustard plasters; nervines; nutraceutical preparations for therapeutic or medical purposes; nutritional supplements; ointments for pharmaceutical purposes; pastilles for pharmaceutical purposes; pearl powder for medical purposes; petroleum jelly for medical purposes; pharmaceutical preparations for skin care; pharmaceutical preparations for treating sunburn; pharmaceutical preparations; pharmaceuticals; phytotherapy preparations for medical purposes; plant extracts for pharmaceutical purposes; pollen dietary supplements; pomades for medical purposes; powdered milk for babies; preparations for the treatment of burns; preparations of trace elements for human and animal use; propolis dietary supplements; propolis for pharmaceutical purposes; protein dietary supplements; purgatives; remedies for perspiration; royal jelly dietary supplements; royal jelly for pharmaceutical purposes; salts for medical purposes; salts for mineral water baths; sea water for medicinal bathing; serums; slimming pills; sugar for medical purposes; sunburn ointments; syrups for pharmaceutical purposes; tanning pills; therapeutic preparations for the bath; thermal water; tinctures for medical purposes; tissues impregnated with pharmaceutical lotions; tonics [medicines]; vitamin preparations; wadding for medical purposes; wheat germ dietary supplements; yeast dietary supplements; yeast for pharmaceutical purposes.

29 – Beans, preserved; berries, preserved; bouillon concentrates; bouillon; charcuterie; cheese; compotes; crystallized fruits; edible fats; fish meal for human consumption; fish mousses; fish, canned; fish-based foodstuffs; freeze-dried meat; freeze-dried vegetables; frozen fruits; fruit jellies; fruit preserved in alcohol; fruit pulp; fruit salads; fruit, preserved; fruit, stewed; fruit-based snack food; fruits, canned; jams; jellies for food; marmalade; meat extracts; meat jellies; meat, canned; meat, preserved; meat; milk beverages, milk predominating; milk products; milk shakes; milk substitutes; mushrooms, preserved; nut-based spreads; nuts, prepared; oils for food; pollen prepared as foodstuff; powdered milk; preparations for making bouillon; preparations for making soup; salted meats; seaweed extracts for food; seeds, prepared; soups; tofu; tripe; vegetable juices for cooking; vegetable mousses; vegetable salads; vegetable soup preparations; vegetables, canned; vegetables, cooked; vegetables, dried; vegetables, preserved; whey.

30 – Almond confectionery; aromatic preparations for food; artificial coffee; bread; cakes; cereal bars; cereal preparations; cereal-based snack food; chamomile-based beverages; chips [cereal products]; chocolate beverages with milk; chocolate; chocolate-based beverages; cocoa beverages with milk; cocoa-based beverages; coffee beverages with milk; coffee-based beverages; condiments; confectionery; cookies; dessert mousses [confectionery]; dough; dressings for salad; flour; flowers or leaves for use as tea substitutes; fondants [confectionery]; freeze-dried dishes with the main ingredient being pasta; freeze-dried dishes with the main ingredient being rice; fruit jellies [confectionery]; groats for human food; high-protein cereal bars; hominy; honey; ice cream; infusions, not medicinal; marinades; meat gravies; molasses for food; muesli; natural sweeteners; noodle-based prepared meals; pancakes; pasta; pastilles [confectionery]; pastries; peanut confectionery; pelmeni [dumplings stuffed with meat]; pies; pizzas; popcorn; pralines; processed seeds for use as a seasoning; propolis; puddings; rice-based snack food; royal jelly; rusks; sauces [condiments]; seasonings; spices; sugar; sweetmeats [candy]; tea; tea-based beverages; vareniki [stuffed dumplings].

43 – Bar services; café services; cafeteria services; canteen services; food and drink catering; restaurant services; self-service restaurant services; snack-bar services.

(260) AM 2021 108915 A

(800) 1538872

(151) 2020 05 20

(891) 2020 05 20

(731) Public Joint-Stock Company "Krasnyj Ochyabr"
ul. Malaya Krasnoselskaya, d. 7, str. 24,
RU-107140 Moscow, Russian Federation

(540)

СТОЛИЧНЫЙ СТИЛЬ

(591) Black, white

(531) 28.05

(511)

30 – Coffee; tea; cocoa; sugar; rice; tapioca; sago; artificial coffee; chocolate; flour and preparations made from cereals; bread; pastries; confectionery; ice cream; honey; sugar, honey, treacle; yeast, baking-powder; salt; mustard; vinegar, sauces [condiments]; spices; edible ices.

(260) AM 2021 108922 A
 (800) 1539059
 (151) 2020 05 13
 (891) 2020 05 13
 (731) Apple Inc.
 One Apple Park Way, Cupertino CA 95014,
 USA
 (540)

IPHONE SE

(591) Black, white
 (511)
 9 – Mobile telephones; smartphones; mobile devices for the sending and receiving of telephone calls, text messages, electronic mail, and other digital data, and for use in providing access to the internet; network communication apparatus, namely, mobile electronic devices for the sending and receiving of text, data, audio, image, and video files across networks; electronic communication equipment and instruments, namely, mobile electronic devices for sending and receiving of text, data, audio, image, and video files; wireless communication devices for the transmission of voice, data, images, audio, video, and multimedia content; computers; handheld computers; recorded and downloadable computer software for accessing, browsing and searching online databases; cases for mobile phones; cases for smartphones.

(260) AM 2021 108923 A
 (800) 1539070
 (151) 2020 05 26
 (891) 2020 05 26
 (731) Unqork Inc.
 114 Fifth Avenue, 2nd Floor, New York
 NY 10011, USA
 (540)

UNQORK

(591) Black, white
 (511)
 41 – Education services, namely, conducting seminars, classes, workshops, online courses, and conferences in the fields of software as a service (SaaS), platform as a service (PaaS), infrastructure as a service (IaaS) and application platform as a service (aPaaS) for providing a development environment and software configuration tools to build, design, implement, and maintain business applications using a visual interface.
 42 – Software as a service (SaaS), platform as a service (PaaS), infrastructure as a service (IaaS) and application platform as a service (aPaaS) for providing a development environment and software configuration tools to build, design, implement, monitor and maintain business applications using a visual interface; software as a service (SaaS), platform as a service (PaaS), infrastructure as a service (IaaS) and applicati-

on platform as a service (aPaaS) for rendering, serving, reporting and displaying of business applications; software as a service (SaaS), platform as a service (PaaS), infrastructure as a service (IaaS) and application platform as a service (aPaaS) for application programming interface creation and execution; software as a service (SaaS), platform as a service (PaaS), infrastructure as a service (IaaS) and application platform as a service (aPaaS) for workflow creation, orchestration, and execution; software as a service (SaaS), platform as a service (PaaS), infrastructure as a service (IaaS) and application platform as a service (aPaaS) for the generation and delivery of documents; software as a service (SaaS), platform as a service (PaaS), infrastructure as a service (IaaS) and application platform as a service (aPaaS) for ingestion of paper and scanned images of documents; technical support services for computer software, namely, providing updates, upgrades, patches, fixes, and technical documentation; computer services, namely, providing data as a service through a customizable software platform for compiling, analyzing, integrating, transforming and providing access to data and information.

(260) AM 2021 108924 A
 (800) 1539073
 (151) 2020 02 04
 (891) 2020 02 04
 (731) Zuffa, LLC
 6650 South Torrey Pines Drive, Las Vegas
 NV 89118, USA
 (540)



(591) Black, white
 (531) 01.05.02; 09.03.17; 26.01.01; 26.05.03;
 26.05.12; 26.11.07; 26.11.08; 26.11.09
 (511)
 25 – Belts; championship belts; belts used as championship trophy belts.
 28 – Toy championship belts; toy mixed martial arts belts.

(260) AM 2021 108933 A
 (800) 1539258
 (151) 2020 04 16
 (891) 2020 04 16
 (731) Zhejiang Aishida Electric Co., Ltd.
 No.2 Keji Road, Economic Development Zone,
 Wenling City, Zhejiang, China
 (540)

moneta

(591) Black, white

(531) 27.05.01

(511)

7 – Mixing machines; dishwashers; crushers for kitchen use, electric; tin openers, electric; kitchen machines, electric; electric fruit squeezers; whisks, electric, for household purposes; food processors, electric; kitchen grinders, electric; domestic vegetable slicer.

11 – Cooking utensils, electric; cooking stoves; roasting apparatus; pressure cookers, electric; kettles, electric; food steamers, electric; induction cookers; extractor hoods for kitchens; water purification installations; lighters.

21 – Cooking pots; containers for household or kitchen use; kitchen utensils; tableware, other than knives, forks and spoons; daily use glassware (including cups, plates, pots, crocks); ceramics for household purposes; works of art of porcelain, ceramic, earthenware, terra-cotta or glass; trash cans; brushes; thermally insulated containers for food; cleaning instruments, hand-operated.

(260) AM 2021 108974 A

(800) 1539346

(151) 2020 06 11

(891) 2020 06 11

(731) 3A PROTECTION PTY LIMITED

Level 26, 56 Pitt Street, Sydney, Sydney NSW
2000, Australia

(540)

The logo for TOGOV features the word "TOGOV" in a bold, blue, sans-serif font. The letter "V" is stylized with a red diagonal stroke on its right side.

(591) Blue, red

(531) 27.05.01; 29.01.12

(511)

35 – Procurement services for others (purchasing goods and services for other businesses).

(260) AM 2021 108975 A

(800) 1539374

(151) 2020 04 16

(891) 2020 04 16

(731) Zhejiang Aishida Electric Co., Ltd.

No.2 Keji Road, Economic Development Zone,
Wenling City, Zhejiang, China

(540)

The logo for Berndes consists of the word "Berndes" in a white, bold, sans-serif font, set against a black rounded rectangular background.

(591) Black, white

(531) 26.04.04; 26.04.18; 26.04.24; 27.05.02

(511)

7 – Mixing machines; dishwashers; crushers for kitchen use, electric; tin openers, electric; kitchen machines, electric; electric fruit squeezers; whisks, electric, for household purposes; food processors, electric; kitchen grinders, electric; domestic vegetable slicer.

11 – Cooking utensils, electric; cooking stoves; roasting apparatus; pressure cookers, electric; kettles, electric; food steamers, electric; induction cookers; extractor hoods for kitchens; water purification installations; lighters.

21 – Cooking pots; containers for household or kitchen use; kitchen utensils; tableware, other than knives, forks and spoons; daily use glassware (including cups, plates, pots, crocks); ceramics for household purposes; works of art of porcelain, ceramic, earthenware, terra-cotta or glass; trash cans; brushes; thermally insulated containers for food; cleaning instruments, hand-operated.

(260) AM 2021 108976 A

(800) 1539378

(151) 2020 05 18

(891) 2020 05 18

(731) VIORICA-COSMETIC S.A.

str. Mesager nr.1, MD-2069 Chişinău,
Republic of Moldova

(540)

The logo for VIORICA features the word "VIORICA" in a grey, bold, sans-serif font. The letter "O" has a horizontal line through its center.

(591) Black, white

(531) 27.05.01

(511)

3 – Non-medicated cosmetics and toiletry preparations; non-medicated dentifrices; perfumery; essential oils; bleaching preparations and other substances for laundry use; cleaning, polishing, scouring and abrasive preparations.

(260) AM 2021 108978 A

(800) 1539387

(151) 2020 06 10

(891) 2020 06 10

(731) 3A PROTECTION PTY LIMITED

Level 26, 56 Pitt Street, Sydney, Sydney NSW
2000, Australia

(540)

The logo for 3A+ Protection features the number "3A" in a large, bold, red font. A white plus sign is positioned to the right of the "A". Below this, the word "Protection" is written in a smaller, bold, blue font.

(591) Blue, red, white
 (531) 24.13.01; 27.05.08; 27.07.01; 29.01.13
 (511)

10 – Eye shields for medical use; eye shields for surgical use; face shields for medical use; face shields for surgical use; protective clothing for medical purposes; protective clothing for surgical purposes; medical masks; protective masks for use by persons working in medicine; protective masks for use by persons working in the dentistry; protective masks for use by surgeons during operations; gloves for dental use; gloves for medical use; gloves for surgical use.

(260) AM 2021 108979 A
 (800) 1539394
 (151) 2020 01 13
 (891) 2020 01 13
 (731) ALVAN Paint and Resin Production
 Cooperative Co.
 3th floor, NO3, Shahid Lotfi street, Haft-e-Tir
 square, Tehran, Islamic Republic of Iran

(540)



(591) Red, yellow, blue and black
 (531) 26.03.01; 27.05.10; 27.05.17; 29.01.15
 (526) ALVAN, Paint & Resin

(511)

1 – Bleaching preparations for industrial purposes; adhesives for stone; adhesives for ceramic tiles.

2 – Alizarin dyes; aniline dyes; asbestos paints; bactericidal paints; mordants for leather; ceramic paints; glazes [paints, lacquers]; colorants for use in the manufacture of paint; thickeners for paints; orange lead; red lead; fire-retardant coatings [paints]; primers; coatings [paints]; paints; thinners for paints; coatings for wood [paints]; automotive paints; thermoplastic road marking paints; thermoplastic paints for use in marking road surfaces, decorative spray coating [paints]; enamel paints.

17 – Insulating paints.

(260) AM 2021 108980 A
 (800) 1539425
 (151) 2020 05 19
 (891) 2020 05 19
 (731) NOVA PLASTIK SANAYI VE TICARET
 ANONIM SIRKETI
 Muratpasa Mah., Uluyol Cad. No:19 Kat 10
 D.48, Istanbul Tower, Bayrampasa,
 ISTANBUL, Turkey

(540)



(591) Black, white

(531) 27.05.01

(511)

11 – Aquarium lights; aquarium heaters; aquarium filtration apparatus; steam accumulators; heat accumulators; hot air apparatus; air deodorizing apparatus; loading apparatus for furnaces; tanning apparatus [sun beds]; apparatus for dehydrating food waste; ionization apparatus for the treatment of air or water; beverage cooling apparatus; air cooling apparatus; gas scrubbing apparatus; oil-scrubbing apparatus; desiccating apparatus; whirlpool-jet apparatus; hand drying apparatus for washrooms; water filtering apparatus; swimming pool chlorinating apparatus; roasting apparatus; steam facial apparatus [saunas]; air purifying apparatus and machines; water softening apparatus and installations; lighting apparatus and installations; hydromassage bath apparatus; acetylene generators; acetylene flares; acetylene burners; germicidal lamps for purifying air; barbecues; bidets; laundry room boilers; bath tubs; spa baths [vessels]; fans [air-conditioning]; fans [parts of air-conditioning installations]; electric fans for personal use; ventilation [air-conditioning] installations for vehicles; ventilation [air-conditioning] installations and apparatus; kilns; evaporators; extractor hoods for kitchens; ventilation hoods; ventilation hoods for laboratories; fabric steamers; pressure water tanks; water conduits installations; water intake apparatus; water heaters; water purification installations; water purifying apparatus and machines; water supply installations; water flushing installations; flushing tanks; gas boilers; gas burners; gas scrubbers [parts of gas installations]; discharge tubes, electric, for lighting; hydrants; hot water bottles; disinfectant apparatus; deodorizing apparatus, not for personal use; ornamental fountains; fog machines; disinfectant dispensers for toilets; stills; distillation apparatus; distillation columns; showers; shower cubicles; flues for heating boilers; roasters; feeding apparatus for heating boilers; immersion heaters; lighters; safety accessories for water or gas apparatus and pipes; humidifiers for central heating radiators; coils [parts of distilling, heating or cooling installations]; furnace ash boxes; drip irrigation emitters [irrigation fittings]; heating apparatus; oxyhydrogen burners; level controlling valves in tanks; air valves for steam heating installations; air conditioners for vehicles; taps for pipes and pipelines; mixer taps for water pipes; taps; radiator caps; forges, portable; cooking apparatus and installations; ice machines and apparatus; freezers; heating apparatus for defrosting vehicle windows; heating elements; heaters for baths; air reheaters; heating plates; stoves [heating apparatus]; hot air bath fittings; heating installations [water]; heating installa-

tions; heating apparatus, electric; heating apparatus for solid, liquid or gaseous fuels; heating boilers; air dryers; cool boxes, electric; purification installations for sewage; germicidal burners; boilers, other than parts of machines; steam boilers, other than parts of machines; pasteurisers; sockets for electric lights; Turkish bath cabinets, portable; diving lights; plate warmers; urinals being sanitary fixtures; watering installations, automatic; watering machines for agricultural purposes; cooling appliances and installations; air-conditioning apparatus; searchlights; washers for water taps; anti-splash tap nozzles; radiators [heating]; radiators, electric; central heating radiators; sinks; refining towers for distillation; heat regenerators; regulating accessories for water or gas apparatus and pipes; regulating and safety accessories for water apparatus; dampers [heating]; refrigerators; expansion tanks for central heating installations; sanitary apparatus and installations; bath fittings; toilet seats; bath tubs for sitz baths; solar thermal collectors [heating]; sterilizers; water sterilizers; air sterilizers; clean chambers [sanitary installations]; laundry dryers, electric; drying apparatus; drying apparatus and installations; heat pumps; thermostatic valves [parts of heating installations]; pipes [parts of sanitary installations]; boiler pipes [tubes] for heating installations; toilets [water-closets]; toilets, portable; wash-hand basins [parts of sanitary installations]; toilet bowls; bath installations; steam generating installations; desalination plants; air-conditioning installations; cooling installations for water, cooling installations for liquids; water distribution installations; sauna bath installations; air filtering installations; cooling installations and machines; filters for air conditioning; filters for drinking water; fountains; refrigerating apparatus and machines; refrigerating containers; refrigerating appliances and installations.

(260) AM 2021 108981 A

(800) 1539516

(151) 2020 05 22

(891) 2020 05 22

(731) URSU Ilarion

Str. Nucarilor nr. 38, Stăuceni, MD-4839
Chişinău, Republic of Moldova

(540)

ROOFART

(591) Black, white

(531) 01.15.15; 27.01.01; 27.01.05; 27.05.01;
27.05.08

(511)

6 – Common metals and their alloys, ores; metal materials for building and construction; transportable buildings of metal; non-electric cables and wires of common metal; small items of metal hardware; metal containers for storage or transport; safes.

19 – Materials, not of metal, for building and construction; rigid pipes, not of metal, for building; asphalt, pitch, tar and bitumen; transportable buildings, not of metal; monuments, not of metal.

(260) AM 2021 108988 A

(800) 1539785

(151) 2020 06 10

(891) 2020 06 10

(731) Huawei Technologies Co., Ltd.

Administration Building, Huawei Technologies
Co., Ltd. Bantian, Longgang District, Shenzhen,
China

(540)



(591) Black, white

(531) 26.11.22; 27.05.21

(511)

9 – Computer software platforms, recorded or downloadable; smartphones; cabinets for loudspeakers; microphones; television apparatus; camcorders; earphones; portable media players; cameras [photography]; optical lenses; integrated circuits; video screens; sensors; electronic chips; chargers for electric batteries; batteries, electric; computer hardware; computer keyboards; mouse [computer peripheral]; notebook computers; laptop computers; tablet computers; smart watches; usb cables; downloadable software applications for mobile phones; connected bracelets [measuring instruments]; wrist-mounted smartphones; selfie lenses; computer programs [downloadable software]; computer software, recorded.

(260) AM 2021 109062 A

(800) 1540525

(151) 2019 12 17

(891) 2019 12 17

(731) Ewald Dörken AG

Wetterstraße 58, 58313 Herdecke, Germany

(540)

DELTA

(591) Black, white

(511)

1 – Chemical products for use in industry; unprocessed epoxy resins; chemical spray and dip solutions for corrosion protection for mass-produced small parts; galvanising baths; zinc-galvanising baths, nickel-free; zinc-flake coatings; cathodic coatings; electrolytic coatings; cathodic coatings; industrial chemicals used in the production of flame-retardant coatings; chemicals for the manufacture of paints;

adhesion agents, namely, industrial glues; adhesives used in industry; solution welding compounds for sealing pond films (adhesives); unprocessed plastics; salt hydrates and mixtures containing salt hydrates, included in this class.

6 – Metal materials for building and construction, excluding metal beams and excluding anchors for use in the construction field related to offshore and dredging; ridge copings, hip copings, of metal, in particular with plastic inserts or plastic backings; metal sheets for construction; facade sheets of metal; metal films, aluminium compound films; linings of metal for buildings.

17 – Plastics and resins in extruded form for use in manufacture; packing, stopping and insulating materials for use in construction; flexible pipes, not of metal, for construction; packing and insulating sheets; underlay sheets of plastic for use as insulating materials; liner webs of plastic [packing, stopping and insulating materials]; carrier webs [packing, stopping and insulating materials]; textured webs (dimpled sheets) of plastic for insulation and drainage purposes; underlay sheets with laminated insulating elements; insulating panels for building, not of metal; liner webs, liner nonwovens for building insulation, including for insulating under photovoltaic or solar coverings; repair webs of plastic for insulating purposes; plastic nonwovens, including coated plastic nonwovens, included in this class; insulating plastic films; plastic films and objects made thereof, namely coverings for storerooms and for horticulture; garden and pond films; insulating and drainage membranes of plastic; insulating films; insulating fabrics; spreadable insulating material for buildings; waterproof sealings; sealing compounds; sealing preparations; weatherstripping; pipe sleeves, not of metal; elbow joints, not of metal, for hoses; non-metal pipe couplings and joints; waterproof membranes for use in manufacture; insulating water proofing membranes; microporous synthetic sheets for use in manufacture; plastics materials in the form of sheets [semi-finished products]; translucent twin-wall sheets made of polycarbonates; fleeces of crude fibres of glass [insulation]; fleeces of crude fibres of carbon [insulation]; fleeces of crude fibres of rock [insulation]; carbon fibre reinforced synthetic resins for use in manufacture; fibres for insulating purposes; synthetic fibres, other than for textile use; adhesive tapes for industrial use; fabrics of inorganic fibres for use as insulation; fabrics made from synthetic fibres [for insulation]; packing, stopping and insulating sheets of metal; packing, stopping and insulating webs of metal; adhesive tape for industrial purposes.

19 – Building materials (non-metallic), excluding windows (except for plastic windows), blinds, shutters; non-metallic transportable buildings; coverings, not of metal, for building; heat accumulator plates

[building materials]; plastic composite panels; building materials (non-metallic) in the form of reinforced and non-reinforced separating and protective webs, carrier webs, textured webs (dimpled sheets) for building, included in this class; flat woven and knitted fabrics (not of metal) for building, included in this class; geotextiles; building materials (non-metallic) for wall and foundation protection, and for soil stabilisation and drainage, included in this class; high-strength technical woven and knitted fabrics, not of metal, for building; small green-houses; repair webs for building, namely valleys and reinforcements, not of metal; ridge copings, hip copings, not of metal, in particular with plastic inserts or plastic backing; drainage, storage and filter webs for green roofs; bituminous products for building; drainage pipes, not of metal; run-off channels, not of metal; floor drainage channels, not of metal; gutter pipes for rain water, not of metal; run-off drains (channels), not of metal; non-woven fabrics for surface protection [building materials]; damp proof membranes of synthetic plastics for building; separating and filtration webs for paths and terracing.

20 – Fasteners of plastic for building, included in this class.

22 – Tarpaulins for construction purposes, included in this class; protective and covering tarpaulins; wind shield netting; textile screens for protection against the wind; scaffolding tarpaulins, scaffolding nets.

24 – Breathable waterproof fabrics; non-woven fabrics in the form of sheeting for use in manufacture; non-woven fabrics in the form of blanks for use in manufacture; non-woven fabrics of synthetic fibres; non-woven reinforcing fabrics.

37 – Construction consultancy, in particular for building protection, on tinting techniques, building insulation in civil engineering, landscaping and horticulture; all the aforesaid services also online via the Internet or other wireless media.

(260) AM 2021 109066 A

(800) 1540771

(151) 2020 06 10

(891) 2020 06 10

(731) Hangzhou Biotest Biotech Co., Ltd.

17# Futai Road, Zhongtai Street, Yuhang

District, Hangzhou, 311100 Zhejiang Province, China

(540)


 The logo for 'RightSign' features a green checkmark above the word 'Right' in blue and 'Sign' in green. The letters are bold and sans-serif.

(591) Blue, green

(531) 24.17.20; 27.05.07; 27.05.17; 29.01.12

(511)

5 – Chemical-pharmaceutical preparations; chemical preparations for the diagnosis of pregnancy; chemical preparations for medical purposes; pharmaceutical preparations; chemical preparations for pharmaceutical purposes; chemical reagents for medical or veterinary purposes; preparations of microorganisms for medical or veterinary use; biological preparations for medical purposes; drugs for medical purposes; diagnostic preparations for medical purposes.

10 – Massage apparatus; surgical apparatus and instruments; instrument cases for use by doctors; medical apparatus and instruments; cases fitted for medical instruments; apparatus for use in medical analysis; testing apparatus for medical purposes; diagnostic apparatus for medical purposes; galvanic therapeutic appliances; physiotherapy apparatus.

(260) AM 2021 109079 A

(800) 1541097

(151) 2020 04 16

(891) 2020 04 16

(731) Infomir SA

Rue du Vuache 1, CH-1201 Geneva,
Switzerland

(540)

INFOMIR

(591) Black, white

(511)

9 – Sirens; personal security alarms; motion sensors; carbon dioxide detectors; fire alarms; gas detectors; smoke detectors; light switches; temperature indicators; water level indicators; remote controls; plugs, sockets and other contacts and electric plugs; wireless communication devices for voice, data and image transmission; air analysis apparatus; moisture meters; pressure meters; electricity meters; wireless push-buttons for controlling and managing smart home appliance devices; television decoders; downloadable computer software and mobile applications for controlling and managing smart home appliance devices; downloadable computer software and mobile applications for provision of IPTV (Internet Protocol television) and video-on-demand services; downloadable computer software and mobile applications related to the field of smart network data collection and management.

11 – Light bulbs; lighting fixtures; luminous panels; lighting apparatus and installations.

42 – Software as a Service (SaaS) for controlling and managing smart home appliance devices; Software as a Service (SaaS) related to the field of smart network data collection and management.

(260) AM 2021 109080 A

(800) 1541132

(151) 2020 05 20

(891) 2020 05 20

(731) Société des Produits Nestlé S.A.

CH-1800 Vevey, Switzerland

(540)



(591) Black, white

(531) 04.05.05; 26.01.03; 26.01.17; 26.01.18;
26.01.24; 27.07.11; 28.05

(511)

30 – Coffee, coffee-based beverages and preparations; iced coffee; tea, tea-based beverages and preparations; iced tea; malt-based preparations for human consumption; cocoa and cocoa-based beverages and preparations; chocolate, chocolate products, chocolate-based beverages and preparations; confectionery, sugar confectionery, candy; sugar; chewing gum not for medical use; bakery products, bread, pastries; biscuits, cakes, cookies, wafers, caramels; ice cream, water ices, sherbets, frozen confectionery, frozen cakes, frozen yogurts; powders and binding agents (included in this class) for making ice cream, water ices, sherbets, frozen confectionery, frozen cakes, frozen yogurts; breakfast cereals, muesli, corn flakes, cereal bars, ready-to-eat cereals; cereal preparations; pizzas; sandwiches.

(260) AM 2021 109081 A

(800) 1541141

(151) 2020 05 29

(891) 2020 05 29

(731) Zhejiang Hanguda Mechanical and Electrical Co., Ltd.

Room 1103, Building 8, Jiangnan Lizhou Yipin
Community, Yongkang City, Zhejiang, China

(540)

XGOLD

(591) Black, white

(531) 27.05.01

(511)

7 – Printing presses; packing machines; food processors, electric; washing machines [laundry]; embossing machines; drilling machines; cutters [machines]; crank shafts; bearings [parts of machines].

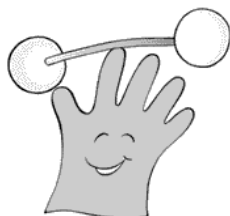
(260) AM 2021 109082 A
 (800) 1541143
 (151) 2020 05 11
 (891) 2020 05 11
 (731) Apple Inc.
 One Apple Park Way, Cupertino CA 95014,
 USA
 (540)



(591) Blue, white, and grey
 (531) 26.04.04; 26.04.08; 26.04.10; 26.04.12;
 26.04.18; 26.04.24; 27.05.02; 27.05.11;
 27.05.21; 29.01.13
 (511)
 41 – Educational services, namely, providing news,
 educational information, and multimedia content in
 the field of computers, computer software, software
 applications, computer networks, and cloud compu-
 ting networks; development, production, distribution,
 and presentation of multimedia entertainment content;
 providing entertainment, informational, news, reality,
 documentary and current events reporting, and arts
 and culture programming by means of telecommu-
 nications networks, computer networks, the Internet,
 and wireless communications networks.

(260) AM 2021 109100 A
 (800) 1481821
 (151) 2019 06 06
 (891) 2020 06 26
 (731) PEDIATRICA S.r.l.
 Via A. Nicolodi n. 28/A, I-57121 LIVORNO
 (LI), Italy
 (540)

PediaFort



(591) Black, white
 (531) 02.09.15; 04.05.05; 21.03.13; 27.05.02
 (511)
 5 – Pharmaceuticals; sanitary preparations for medical
 purposes; dietetic substances adapted for medical use;

infant formula; vitamin supplements; plasters, mate-
 rials for dressings; disinfectants; sedatives; soporifics;
 syrups for pharmaceutical purposes; analgesics; anti-
 pyretics; decongestants; antiseptics; antiparasitic pre-
 parations; medicinal drinks; herbal teas for medicinal
 purposes; cold cream for medical use.

(260) AM 2021 109176 A
 (800) 1542133
 (151) 2020 06 16
 (891) 2020 06 16
 (731) SOREMARTEC S.A.
 16, route de Trèves, L-2633 Senningerberg,
 Luxembourg
 (540)

Butterfinger

(591) Blue and white
 (531) 27.05.02; 27.05.03; 29.01.04
 (511)
 30 – Pastry and confectionery; biscuits, cookies; fruit
 cakes; chocolate and chocolate-based products; cere-
 al-based snacks; edible ices.

(260) AM 2021 109195 A
 (800) 1070558
 (151) 2011 01 21
 (891) 2020 07 06
 (731) PENOPLEX SPb Ltd.
 Saperniy per 1 lit.A, RU-191014 Saint-
 Petersburg, Russian Federation
 (540)

PLASTFOIL

(591) Black, white
 (511)
 17 – Acetate (cellulose), asbestos, bags (envelopes,
 pouches) of rubber, for packaging, balata, bark cover-
 ings for sound insulation, floating anti-pollution bar-
 riers, shock-absorbing buffers of rubber, caulking ma-
 terials, ebonite (vulcanite), fibreglass for insulation,
 plastic film, not for wrapping, glass wool for insulati-
 on, substances for insulating buildings against mois-
 ture, insulating materials, insulating oils, insulating
 plaster, insulating refractory materials, insulators, pla-
 stic sheeting for agricultural purposes, insulating var-
 nish.
 19 – Building materials, not of metal, building card-
 board, roof coverings, not of metal.

(260) AM 2021 109196 A
 (800) 1138467
 (151) 2012 09 25
 (891) 2020 07 06
 (731) PENOPLEX Spb Ltd.
 Saperniy pereulok, 1, lit. A, RU-191014
 Saint-Petersburg, Russian Federation
 (540)

PENOPLEX

(591) Black, white
 (511)
 17 – Non-conducting materials for retaining heat, including extruded polystyrene; compositions to prevent the radiation of heat; soundproofing materials.

(260) AM 2021 109197 A
 (800) 1143479
 (151) 2012 09 28
 (891) 2020 06 19
 (731) KORES HOLDING ZUG AG
 Baarerstrasse 112, CH-6302 Zug, Switzerland
 (540)

KOPEC

(591) Black, white
 (511)
 16 – Paper, cardboard and goods made from these material, not included in other classes; carbon paper; binders and folders of cardboard and/or plastic; stationery, in particular markers, colored pencils, felt-tip pens and ballpoint pens; adhesives for stationery or household purposes; adhesive tapes and self-stick items, in particular adhesive notes, adherable flags; labels and adhesive labels; glue sticks and adhesive rollers; correcting rollers and correcting pens, correcting fluids; artists' materials; office requisites (except furniture), including inking and correction ribbons; stamps, stamping ink and stamp pads; staples and paper clips; instructional and teaching material (except apparatus).

(260) AM 2021 109198 A
 (800) 1233267
 (151) 2014 08 26
 (891) 2020 06 08
 (731) emoji company GmbH
 Neckenbroicher Strasse 52-54, 40667
 Meerbusch, Germany
 (540)

emoji

(591) Black, white
 (511)
 28 – Waterskis; video game apparatus; arcade video game machines; portable games with LCD displays; kites; draughts (games); checkerboards; board games;

bob-sleighs; teddy bears; surf boards; surf skis; games; playing cards; playing balls; balls for games; masks (playthings); boxing gloves; bodyboards; bows for archery; baseball gloves; dice; playthings; toys for household pets; toy vehicles; toy figures; toy models; skateboards; snowboards; water wings; flippers for swimming; swimming belts; novelties for parties, dances (party favours); chess games; scooters (toys); roller skates; in-line roller skates; dolls; plush toys; soft toys; party hats of paper; mobiles (toys); mah-jong; barbells; dumbbells; artificial fishing bait; spinning tops (toys); confetti; Christmas crackers; card games; chips for gaming; counters (discs) for games; hockey sticks; gloves for games; appliances for gymnastics; golf clubs; golf gloves; parlour games; machines for physical exercise; conjuring apparatus; apparatus for games; coin-operated slot machines; automatic slot machines; remote-controlled vehicles (toys); shuttlecocks; toy masks; scale model vehicles; skating boots with skates attached; dominoes; Christmas tree stands; body-building (training) apparatus; bingo cards; skittles; billiard balls; ball-throwing machines; rattles (playthings); models in kit form (toys); marbles; jigsaw puzzles; balloons (toys); air pistols (toys).

(260) AM 2021 109199 A
 (800) 1390014
 (151) 2018 01 12
 (891) 2020 07 09
 (731) AstraZeneca AB
 SE-151 85 Södertälje, Sweden
 (540)

BREZALYNX

(591) Black, white
 (511)
 5 – Pharmaceutical preparations and substances.

(260) AM 2021 109239 A
 (800) 1542564
 (151) 2020 04 21
 (891) 2020 04 21
 (731) RFX + Care International A/S
 Bakkegårdsvej 408; DK-3050 Humlebæk,
 Denmark
 (540)



(591) Blue and red
 (531) 26.05.03; 26.15.25; 27.05.01; 27.05.07;
 29.01.14

(511)

3 – Non-medicated cosmetics and toiletries; non-medicated toothpaste; perfumery, essential oils; bleaches and other substances for laundry; after-sun cream; aftershave cream; anti-wrinkle creams; aromatic essential oils; cosmetic preparations in the form of creams; toiletry lotions; body cream; body oil [for cosmetic use]; body scrubs; bubble bath preparations; cleansing milk for toiletry use; bath salts, not for medical use; cosmetic creams; cosmetic oils; cosmetic soap; cosmetic sun protection preparations; cosmetics and cosmetic preparations; makeup; deodorants for body care; eye cream; hair conditioner; preparations for hair and treatment of hair; shampoo; hand creams; perfumes; shower creams; cream for skin cleansing; moisturising preparations for skin; soap for body care; sunscreens; preparations for cleaning the body and beauty care; hand gels; body gels; disposable wipes impregnated with cleansers for use on the face; cosmetic fluid creams; functional cosmetic preparations; handwashing agents; skincare preparations; non-medicated, moist cleaning wipes for use on humans; impregnated tissues (for cosmetic use); preparations for cleaning of hands; cleaning preparations for personal use; wet wipes for hygienic and cosmetic use; washing preparations for personal use.

10 – Surgical and medical apparatus and instruments.

(260) AM 2021 109306 A

(800) 1543727

(151) 2020 05 02

(891) 2020 05 02

(731) Incyte Holdings Corporation

1801 Augustine Cut-Off, Wilmington

DE 19803, USA

(540)

INCYTE SOLVE ON

(591) Black, white

(511)

42 – Scientific and medical research relating to viral, hematological, oncological, auto-immune, inflammatory, metabolic, and dermatological disorders.

44 – Providing information relating to viral, hematological, ontological, auto-immune, inflammatory, metabolic and dermatological disorders via a website.

(260) AM 2021 109308 A

(800) 1543767

(151) 2020 06 26

(891) 2020 06 26

(731) PEDIATRICA S.r.l.

Via A. Nicolodi, 28/A, I-57121 Livorno, Italy

(540)

ImmunoPed

(591) Black, white

(531) 27.05.01

(511)

5 – Pharmaceutical and veterinary preparations; sanitary preparations for medical purposes; dietetic substances adapted for medical use; baby food; plasters, materials for dressings; material for stopping teeth, dental wax; disinfectants.

(260) AM 2021 109309 A

(800) 1543779

(151) 2020 04 15

(891) 2020 04 15

(731) LABORATORIOS NORMON, S.A.

Ronda de Valdecarrizo, 6, E-28760 Madrid,

Spain

(540)

VICTOGON

(591) Black, white

(511)

5 – Pharmaceutical products, disinfectants, serums, vaccines and veterinary products.

(260) AM 2021 109310 A

(800) 1543805

(151) 2020 06 26

(891) 2020 06 26

(731) PEDIATRICA S.r.l.

Via A. Nicolodi, 28/A, I-57121 Livorno, Italy

(540)

PISOLINO

(591) Black, white

(511)

5 – Pharmaceutical and veterinary preparations; hygiene preparations for medical purposes; dietetic substances adapted for medical use; infant formula; plasters, materials for dressings; material for stopping teeth, dental wax; disinfectants.

(260) AM 2021 109347 A

(800) 1450228

(151) 2018 12 24

(891) 2020 07 07

(731) Apple Inc.

One Apple Park Way, Cupertino CA 95014,

USA

(540)

APPLE BUSINESS CHAT

(591) Black, white

(511)

9 – Computer software for use in customer relationship management; downloadable pre-recorded audio,

video and multimedia content featuring product review and purchasing information in the field of consumer goods.

38 – Telecommunication services, namely, text and picture wireless messaging services; transmission of data and of information by electronic means, namely, information transmission via electronic communications networks; delivery of messages by electronic transmission.

42 – Provision of Internet search engine services; design and development of computer hardware and software.

(260) AM 2021 109348 A

(800) 1462814

(151) 2019 02 27

(891) 2020 06 15

(731) Open-Type Joint Stock Company "ROT FRONT"

2-oy Novokuznetskiy pereulok, d. 13/15,
RU-115184 Moscow, Russian Federation

(540)



(591) Dark brown, light brown, red, orange, yellow and white

(531) 24.17.02; 25.01.15; 25.07.01; 25.07.07;
25.07.20; 25.07.21; 26.03.03; 26.03.06;
26.03.07; 26.03.22; 26.11.03; 26.13.25; 28.05;
29.01.15

(526) ®

(511)

30 – Aromatic preparations for food; flavorings, other than essential oils, for cakes; flavorings, other than essential oils, for beverages; coffee flavorings; food flavorings, other than essential oils; star aniseed; high-protein cereal bars; pancakes; noodle-based prepared meals; buns; bread rolls; vanillin [vanilla substitute]; waffles; vermicelli [noodles]; natural sweeteners; sausage binding materials; binding agents for ice cream; sea water for cooking; seaweed [condiment]; malt biscuits; cloves [spice]; cake frosting [icing]; mustard; gluten additives for culinary purposes; yeast; thickening agents for cooking foodstuffs; rice-based snack food; cereal-based snack food; artificial coffee; vegetal preparations for use as coffee substitutes; dressings for salad; fruit jellies [confectionery]; confectionery for decorating Christmas trees; cakes; pastries; peanut confectionery; almond confectionery; pasta; ginger [spice]; frozen yogurt [confectionery ices]; cocoa;

capers; caramels [candy]; curry [spice]; ketchup [sauce]; quiches; gluten prepared as foodstuff; sweetmeats [candy]; liquorice [confectionery]; peppermint sweets; cinnamon [spice]; coffee; unroasted coffee; starch for food; crackers; custard; groats for human food; hominy grits; semolina; oatmeal; crushed barley; corn, milled; corn, roasted; meat pies; turmeric; couscous [semolina]; noodles; ice for refreshment; ice, natural or artificial; edible ices; rice cakes; mayonnaise; macaroons [pastry]; macaroni; maltose; hominy; marinades; marzipan; honey; royal jelly; ice cream; flour; bean meal; tapioca flour; potato flour; corn flour; wheat flour; soya flour; barley meal; dessert mousses [confectionery]; chocolate mousses; muesli; mint for confectionery; cocoa beverages with milk; coffee beverages with milk; coffee-based beverages; tea-based beverages; chocolate beverages with milk; chocolate-based beverages; cocoa-based beverages; infusions, not medicinal; crushed oats; husked oats; nutmegs; stick liquorice [confectionery]; soya bean paste [condiment]; pastilles [confectionery]; molasses for food; pepper; allspice; peppers [seasonings]; pesto [sauce]; cookies; petit-beurre biscuits; pies; pizzas; meat gravies; fondants [confectionery]; popcorn; powders for making ice cream; baking powder; mustard meal; pralines; condiments; meat tenderizers for household purposes; cereal preparations; oat-based food; propolis; gingerbread; spices; petits fours [cakes]; puddings; cake powder; fruit coulis [sauces]; ravioli; chewing gum; relish [condiment]; rice; wheat germ for human consumption; spring rolls; sago; sugar; aniseed; golden syrup; confectionery; baking soda [bicarbonate of soda for cooking purposes]; malt for human consumption; salt for preserving foodstuffs; cooking salt; celery salt; sherbets [ices]; ham glaze; soya sauce; tomato sauce; sauces [condiments]; spaghetti; seasonings; preparations for stiffening whipped cream; rusks; breadcrumbs; sushi; sandwiches; tabbouleh; tacos; tapioca; cream of tartar for culinary purposes; tarts; almond paste; tortillas; garden herbs, preserved [seasonings]; beer vinegar; vinegar; ferments for pastes; halvah; bread; unleavened bread; corn flakes; oat flakes; chicory [coffee substitute]; tea; iced tea; chutneys [condiments]; cheeseburgers [sandwiches]; chow-chow [condiment]; saffron [seasoning]; malt extract for food; essences for foodstuffs, except etheric essences and essential oils; husked barley.

(260) AM 2021 109349 A

(800) 1484041

(151) 2019 07 24

(891) 2020 06 09

(731) SAIC MOTOR CORPORATION LIMITED
ROOM 509, BUILDING 1, 563 SONGTAO
ROAD, (SHANGHAI) PILOT FREE, TRADE
ZONE, SHANGHAI, China

(540)



(591) Black, white

(531) 24.11.25; 26.01.10; 26.01.18

(511)

12 – Motor homes; automobile bodies; trucks; clutches for land vehicles; cars; bodies for vehicles; repair outfits for inner tubes; tires for vehicle wheels; driverless cars [autonomous cars]; automobiles.

35 – Advertising; commercial administration of the licensing of the goods and services of others; systemization of information into computer databases; procurement services for others [purchasing goods and services for other businesses]; sales promotion for others; auctioning of vehicles; computerized file management; business management assistance; professional business consultancy; import-export agency services.

37 – Vehicle battery charging; vehicle repair services; maintenance and repair of electric vehicles; vehicle service stations [refuelling and maintenance]; burglar alarm installation and repair; motor vehicle maintenance and repair; vehicle breakdown repair services; retreading of tires; vehicle washing; anti-rust treatment for vehicles.

(260) AM 2021 109386 A

(800) 1544850

(151) 2020 05 14

(891) 2020 05 14

(731) INCANTUS HOLDING LIMITED

Sotiri Tofini, 4, 2nd floor, Agios Athanasios,
CY-4102 Limassol, Cyprus

(540)

vivid
money

(591) Black and violet – pantone 266C

(531) 27.05.09; 27.05.10; 27.05.17; 29.01.12

(511)

9 – Encoded magnetic cards; integrated circuit cards [smart cards]; invoicing machines.

36 – Credit bureaux; hire-purchase financing; savings bank services; issuance of credit cards; issue of tokens of value; fund investments; financial information; clearing, financial; financial consultancy; stock exchange quotations; lending against security; brokerage;

financial management; exchanging money; home banking; debit card services; credit card services; factoring; organization of collections; banking; provident fund services; financing services.

(260) AM 2021 109387 A

(800) 1544894

(151) 2020 05 28

(891) 2020 05 28

(731) HUAWEI TECHNOLOGIES CO., LTD.

Administration Building, Huawei Technologies
Co., Ltd., Bantian, Longgang District,
Shenzhen, China

(540)

HONOR MagicBuds

(591) Black, white

(531) 27.05.01

(511)

9 – Noise cancelling headphones; wireless earphones for smartphones; headphones; laptop computers; humanoid robots with artificial intelligence; smart-glasses; smartwatches; telecommunication apparatus in the form of jewellery; wearable activity trackers; computer programs, recorded; loudspeakers; television apparatus; earphones; virtual reality headsets; wearable video display monitors; set-top boxes; camcorders; smartphones; tablet computers; network communication apparatus; electric batteries; central processing units (processors); chips (integrated circuits).

(260) AM 2021 109388 A

(800) 1544914

(151) 2020 05 28

(891) 2020 05 28

(731) HUAWEI TECHNOLOGIES CO., LTD.

Administration Building, Huawei Technologies
Co., Ltd., Bantian, Longgang District,
Shenzhen, China

(540)

HONOR ViewBand

(591) Black, white

(531) 27.05.01

(511)

9 – Wearable computers; encoded identification bracelets, magnetic; computer terminals; tablet computers; laptop computers; smartwatches; smart rings; computer software applications, downloadable; human face recognition devices; scales with body mass analyzers; smartphones; wearable activity trackers; telecommunication apparatus in the form of jewellery; earphones; virtual reality headsets; television apparatus; wearable video display monitors; cameras (photography); electric batteries.

(260) AM 2021 109389 A
 (800) 1544925
 (151) 2020 04 07
 (891) 2020 04 07
 (731) Oriflame Cosmetics AG
 c/o Oriflame Global Management AG,
 Bleicheplatz 3, CH-8200 Schaffhausen,
 Switzerland

(540)

ORIFLAME STUDIO

(591) Black, white

(511)

3 – Non-medicated conditioning and care preparations for application to the hair, scalp, skin and nails; shampoos; hair conditioner; soaps; perfumes; perfumery; eau de cologne; toilet waters; essential and herbal oils; cosmetics; make-up; make-up preparations; make-up removers; lipsticks; nail varnishes; nail varnish removers; eyeliner; mascara; non-medicated toilet preparations; hair lotions; hair sprays and hair gels; preparations for use in the bath or shower; bath and shower oils, gels, creams and foams; face and body masks; face and body scrubs; facial washes; skin cleansers and hydrators; skin toners; skin moisturizers; blemish creams and blemish gels; deodorants; antiperspirants; shaving soaps; shaving creams; shaving gels; after-shave preparations; pre-shave preparations; talcum powders; toiletries; dentifrices; toothpastes; mouth washes; foot care preparations (non-medicated); cotton for cosmetic purposes; cotton wool, sticks, buds, swabs, puffs, balls and pads for cosmetic purposes; cotton wool in the form of wipes for cosmetic use; cotton puffs and pads impregnated with make-up removing preparations.

(260) AM 2021 109405 A

(800) 1545379

(151) 2020 03 27

(891) 2020 03 27

(731) "KONTI-RUS" JOINT STOCK COMPANY
 ul. Zolotaia, 13, Kursk city, RU-305000 Kursk
 oblast, Russian Federation

(540)



(591) Red, green, white and golden

(531) 25.01.25; 25.07.25; 26.01.01; 26.01.18;
 26.01.25; 26.04.05; 26.04.10; 26.04.12;
 26.04.16; 29.01.14

(526) CANDY NOVRUZ

(511)

30 – Confectionery.

(260) AM 2021 109444 A

(800) 1545975

(151) 2020 05 22

(891) 2020 05 22

(731) "DOVERIE-CARE" EAD

55, Prespa str., BG-5600 Troyan, Bulgaria

(540)

SEPTAWAY

(591) Black, white

(511)

3 – Non-medicated cosmetics and toiletry preparations; non-medicated dentifrices; perfumery; essential oils; bleaching preparations and other substances for laundry use; cleaning, polishing, scouring and abrasive preparations.

5 – Antibacterial preparations; hygienic preparations for medical purposes; disinfectants.

(260) AM 2021 109447 A

(800) 1545996

(151) 2020 05 12

(891) 2020 05 12

(731) Alvotech hf.

Saemundargotu 15-19, IS-101 Reykjavik,
 Iceland

(540)

FEXTENFA

(591) Black, white

(511)

5 – Pharmaceutical preparations and substances.

10 – Medical apparatus and instruments; injectors for medical purposes.

(260) AM 2021 109448 A

(800) 1545999

(151) 2020 03 04

(891) 2020 03 04

(731) SİBA KİMYA VE ENDÜSTRİYEL
 ÜRÜNLER SANAYİ TİCARET LİMİTED
 ŞİRKETİ
 Eşentepe Mahalleşi, Miİngaz Caddesi,
 No:75/A, Kat:8, Monumento Plaza, Kartal-
 Istanbul, Turkey

(540)

(591) Gold

(531) 27.05.01; 27.05.07; 29.01.02

(511)

1 – Chemicals used in industry, science, photography, agriculture, horticulture and forestry; manures and soils; unprocessed artificial resins and unprocessed plastics; fire extinguishing compositions; adhesives not for medical, household and stationery purposes.

17 – Rubber, gutta-percha, gum, asbestos, mica and semi-finished synthetic goods made from these materials in the form of powder, bars, panels and foils included in this class; stopping, sealing and insulating materials; insulating paints, insulating fabrics, insulating tape and band, insulation covers for industrial machinery, sealant compounds for joints, gaskets, O-rings for sealing purposes, not for faucets; flexible pipes made from rubber and plastic; hoses made of plastic and rubber, including those used for vehicles; junctions for pipes of plastic and rubber; pipe jackets of plastic and rubber; hoses of textile material; junctions for pipes, not of metal; pipe jackets, not of metal; connecting hose for vehicle radiators; synthetic plastic as semi-finished products in form of foils, plates, rods, profiles, hoses, tubes, blocks.

(260) AM 2021 109449 A

(800) 1546011

(151) 2020 05 12

(891) 2020 05 12

(731) Alvotech hf.

Saemundargotu 15-19, IS-101 Reykjavik,
Iceland

(540)

SIMLANDI

(591) Black, white

(511)

5 – Pharmaceutical preparations and substances.

10 – Medical apparatus and instruments; injectors for medical purposes.

(260) AM 2021 109479 A

(800) 1546788

(151) 2020 07 21

(891) 2020 07 21

(731) Yagupov Artyom Artyomovich

Volgogradskiy prospect, dom 74, korpus 3, kv.
41, RU-109462 Moscow, Russian Federation

(540)



(591) Black, white

(531) 01.15.15; 24.17.08; 27.03.12; 27.05.09;
27.05.10; 27.07.01

(511)

3 – Bleaching preparations and other substances for laundry use; cleaning, polishing, scouring and abrasi-ve preparations; soap; perfumery, essential oils, cosmetics, hair lotions; non-medicated dentifrices.

(260) AM 2021 109482 A

(800) 1546853

(151) 2020 04 21

(891) 2020 04 21

(731) "KONTI-RUS" JOINT STOCK COMPANY

ul. Zolotaia, 13, Kursk, RU-305000 Kursk
oblast, Russian Federation

(540)



(591) Yellow, brown, dark brown and grey

(531) 08.03.02; 19.03.24; 26.04.05; 26.04.12;

26.04.15; 26.04.18; 26.04.24; 26.11.06;

26.11.13; 27.05.01; 29.01.13

(511)

30 – Confectionery; pastries.

(260) AM 2021 109484 A

(800) 1546887

(151) 2020 05 10

(891) 2020 05 10

(731) OUTSYSTEMS – SOFTWARE EM REDE
S.A.

RUA CENTRAL PARK, EDIFICIO 2, 2º A,
P-2795-242 LINDA A VELHA, Portugal

(540)

OUTSYSTEMS

(591) Black, white

(511)

9 – Mobile apps; downloadable computer software applications; downloadable mobile applications for the transmission of data; computer software platforms, recorded or downloadable; interactive software; operating software; collaboration software platforms (software); software for use in providing multiple user access to a global computer information network; software for the integration of artificial intelligence; cloud computing software.

42 – Providing temporary use of non-downloadable computer software for shipment processing over

computer networks, intranets and the internet; design and development of operating software to access and use a cloud computing network; electronic data storage; technological consultancy and research services in the fields of computer software, computer hardware and computer networks; computer programming services; design, development, deployment, implementation, analysis, integration and management of computer software for others; installation, modification, maintenance and repair of computer software; customization and configuration of computer software; configuration of computer hardware using software; consulting services related to virtual infrastructure, electronic data storage and computer networking applications; managed information technology services and operations for others, namely management of virtual infrastructure, consultancy related to computer networking applications and electronic data storage services; service provider, namely hosting, managing and administering computer software for others; leasing and rental of computer software; technical support services, namely troubleshooting in the nature of diagnosing computer hardware and software problems.

(260) AM 2021 109495 A

(800) 1465469

(151) 2019 02 26

(891) 2020 07 31

(731) ERTUS GROUP

40 cours d'Albret, F-33000 BORDEAUX,
France

(540)



(591) Orange, white, black

(531) 05.07.10; 26.04.05; 26.04.16; 26.04.18;

26.11.01; 26.11.07; 27.05.01; 27.05.24;

27.07.01; 29.01.13

(511)

9 – Computer software and software applications in the field of wine making; computer software and software applications for the management, planning and traceability of the production and marketing of wines and spirits; software for data and file management and database software in the field of wine making; wine mapping software; apparatus and instruments for global positioning for the production of wines and spirits.

42 – Software-service for the wine sector; software-service for the management, planning and traceability of the production and marketing of wines and spirits; computer platform as a service [PaaS] for the field of wine making; development (design), installation, maintenance, updating or rental of operating software for access to a cloud computing network and its use for

the management, planning and traceability of production and marketing of wines and spirits; hosting information, applications, files and computerized data for the wine sector; research and development of new products for third parties in the field of information technology applied in the wine making industry; design of computer systems in the field of wine making; information, advice and consultation on information technology solutions for managing, planning and tracing the production and marketing of wines and spirits; mapping services of wineries; global positioning services for the production of wines and spirits; computer-aided scientific analysis services in the field of wine making; surveying (engineering work) in the field of wine and wine making; technical consultation services for producing wines and spirits; quality control services in connection with the production and packaging of wines and spirits.

(260) AM 2021 109552 A

(800) 1547540

(151) 2020 05 18

(891) 2020 05 18

(731) Limited Liability Company "DomBytChim"

Lenina Str., 39A, Takhtamukayskiy region,
Yablonovskiy urban-type settlement,
RU-385140 Adygeya republic, Russian
Federation

(540)



(591) White, green and yellow

(531) 26.04.05; 26.04.18; 26.04.24; 27.05.02;

27.05.24; 29.01.13

(511)

21 – Brushes, except paintbrushes; material for brush-making; containers for household or kitchen use; utensils for household purposes; carpet sweepers; deodorizing apparatus for personal use.

(260) AM 2021 109568 A

(800) 1024290

(151) 2009 11 10

(891) 2020 08 07

(731) Dr. Willmar Schwabe GmbH & Co. KG

Willmar-Schwabe-Strasse 4, 76227 Karlsruhe,
Germany

(540)

Klimaktoplan

(591) Black, white

(511)

5 – Pharmaceutical and veterinary preparations; sanitary preparations for medical purposes; dietetic substances adapted for medical use.

(260) AM 2021 109569 A

(800) 1052546

(151) 2010 08 02

(891) 2020 08 07

(731) North Sea Lubricants B.V.

Ampèrestraat 5, NL-3846 AN Harderwijk,
Netherlands

(540)



(591) Blue, yellow

(531) 01.15.24; 26.11.02; 26.11.13; 27.05.08;
29.01.12

(511)

1 – Chemical products for industrial purposes; chemical additives for oils, greases and fuels.

4 – Industrial oils and greases; lubricants and lubricating oils; dust absorbing, wetting and binding compositions; fuels (including motor spirit) and illuminants; non-chemical additives for oils, greases and fuels.

35 – Import and export, wholesale and retail services, business and commercial services; all the aforementioned services relating to the goods in classes 1 and 4.

(260) AM 2021 109573 A

(800) 1268181

(151) 2015 06 15

(891) 2020 08 07

(731) GRE Grand River Enterprises Deutschland GmbH

Rietzer Berg 28, 14797 Kloster Lehnin/OT
Rietz, Germany

(540)



(591) Black, white

(531) 25.07.03; 26.04.09; 27.07.02; 27.07.12

(511)

9 – Batteries for electric cigarettes, electronic cigarettes, electric cigars, electronic cigars, electric cigari-

llos, electronic cigarillos, electric pipes, electronic pipes, and vaporizing devices for tobacco, tobacco products and tobacco substitutes; accumulators for electric cigarettes, electronic cigarettes, electric cigars, electronic cigars, electric cigarillos, electronic cigarillos, electric pipes, and electronic pipes, and vaporizing devices for tobacco, tobacco products and tobacco substitutes; battery chargers, battery chargers for use in vehicles, electrical adapters for vehicles; cables for electric cigarettes, electronic cigarettes, electric cigars, electronic cigars, electric cigarillos, electronic cigarillos, electric pipes, electronic pipes and vaporizing devices for tobacco, tobacco products and tobacco substitutes; electronic and electrical components for use with electric cigarettes, electronic cigarettes, electric cigars, electronic cigars, electric cigarillos, electronic cigarillos, electric pipes, and electronic pipes, and vaporizing devices for tobacco, tobacco products and tobacco substitutes.

16 – Paper cardboard; goods of paper and cardboard, namely stationery, boxes of paper or cardboard, copying paper, note books, notepads, calendars, posters and transparencies of paper and cardboard, writing paper, writing pads and drawing pads, spiral-bound notepads, printing paper, disposable paper articles, labels of paper, cardboard articles, wrapping paper; printed matter; photographs; stationery; office requisites (except furniture).

34 – Raw tobacco; tobacco products, included in this class, in particular nicotine pastilles based on tobacco for oral use, cigars, cigarettes, cigarillos, fine-cut tobacco, pipe tobacco, snuff, tobacco substitutes, cigars and cigarettes containing tobacco substitutes, not for medical or curative purposes; smokers' articles, in particular tobacco jars, cases for cigarettes, cigarette holders, ashtrays (all the aforesaid goods not of precious metal or coated therewith), cigarette paper, cigarette tubes, cigarette filters, pipes, pocket apparatus for rolling cigarettes, lighters, all the aforesaid goods included in this class; matches; cigarette cases of precious metal; cigarette cases, of precious metal; cigarette holders of precious metal; cigar cases of precious metal and wood; cigar boxes, of precious metal; cigar holders of precious metal; electric cigarettes, electronic cigarettes, electric cigars, electronic cigars, electronic cigarillos, electronic cigarillos, electric pipes and electronic pipes; liquids, ampoules, and cartridges for electric cigarettes, electronic cigarettes, electronic cigars, electronic cigarillos, and electric pipes; refill liquid for use in electronic smoking equipment and electronic cigarettes; refill cartridges for use in electronic cigarettes and electronic smoking equipment; atomizers and cartomizers for use in electronic cigarettes and electronic smoking equipment; vaporising devices for tobacco, tobacco products and tobacco substitutes; parts, components of electronic cigarettes and electronic smoking equipment, and vaporizing devices for tobacco, tobacco products and tobacco substitutes;

carrying cases and containers specially adapted for the aforementioned goods; stands specially adapted for the aforementioned goods; parts and spare parts of the aforementioned goods.

(260) AM 2021 109623 A
(800) 1548213
(151) 2020 06 03
(891) 2020 06 03
(731) HYUNDAI MOTOR COMPANY
12, Heolleung-ro, Seocho-gu, Seoul,
Republic of Korea
(540)



(591) Black, white
(531) 03.07.17; 24.01.15; 24.01.17; 27.05.02
(511)
35 – Organisation of exhibitions for commercial, promotional and publicity purposes; organisation of events for commercial, promotional and publicity purposes; demonstration of goods; corporate advertising and promotion services; providing business and marketing information; publicity services; advertising services; sales promotion for others; sales demonstration for others; business management of sports people; marketing services; sales arranging of used automobiles for others; sales arranging of parts and accessories of automobiles for others; sales arranging of automobiles for others; wholesale store services featuring used automobiles; wholesale store services featuring parts and accessories of automobiles; wholesale store services featuring automobiles; retail store services featuring used automobiles; retail store services featuring parts and accessories of automobiles; retail store services featuring automobiles; sales agency services featuring automobiles; sales agency services featuring parts and accessories of automobiles; commercial information agency services; arranging of car exhibitions for promotional purposes; providing information about products via telecommunication networks for advertising and sales purposes; business information agency services.

(260) AM 2021 109624 A
(800) 1548223
(151) 2020 04 03
(891) 2020 04 03
(731) GUO DONG LIN
No. 3, Xinxia Road, Huaide Community,
Humen Town, Dongguan city, Guangdong
Province, China

(540)

Missio

(591) Black, white
(531) 27.05.01; 27.05.17
(511)
18 – Fur; animal skins; imitation leather; moleskin [imitation of leather]; leather straps; handbags; trunks [luggage]; bags; umbrellas; artificial leather.
25 – Clothing; linen (clothing); knitwear [clothing]; jackets [clothing]; clothing of imitations of leather; outerclothing; trousers; skirts; coats; underwear; pyjamas; shoes; pantyhose; hosiery; hats; gloves [clothing]; scarfs; shawls.

(260) AM 2021 109625 A
(800) 1548234
(151) 2020 05 29
(891) 2020 05 29
(731) Shanghai Hanting Hotel Management Group
Co., Ltd.
4th Floor, Building 57, No. 461, Hongcao
Road, Xuhui District, Shanghai, China
(540)



(591) Black, white
(531) 05.03.13; 26.01.15; 26.01.18; 27.05.21
(511)
35 – Publicity; presentation of goods on communication media for retail purposes; commercial administration of the licensing of the goods and services of others; marketing; administrative processing of purchase orders; business management consultancy; marketing research; import-export agencies; personnel management consultancy; accounting.
43 – Mobile catering; rental of meeting rooms; rental of temporary accommodation; boarding houses; cafeterias; hotel reservations; motels; tourist homes; hotels; accommodation bureaux [hotels, boarding houses].

(260) AM 2021 109639 A
(800) 1548516
(151) 2020 06 16
(891) 2020 06 16
(731) Siemens Trademark GmbH & Co. KG
Bürgermeister-Högl-Straße 2, 95478 Kemnath,
Germany

(540)

SIEMENS ENERGY

(591) Black, white

(531) 27.05.01; 27.05.09; 27.05.10

(511)

1 – Chemicals for use in industry and science; gases (solidified -) for industrial purposes; solidified gases for industrial purposes; unprocessed artificial and synthetic resins.

3 – Chemical cleaning preparations for electric and electronic apparatus, equipment, instruments and installations.

6 – Non-electric cables and wires of common metal; high-pressure vessels for power generation.

7 – Installations and apparatus for the production of energy, namely power plants with gas and steam turbines, wind and hydropower plants, included in this class; centrifugal machines; electric power supplies [generators]; electric generators; electric motors, and their parts, not for land vehicles; electric propulsion mechanisms for water vehicles; electric azimuth thruster engines for ships; generators of electricity and power for ships fitted with electric azimuth thruster engines; diesel engines for ships fitted with electric azimuth thruster engines; mechanical equipment for oil and gas extraction, and mining extraction; pumps, compressors and blowers; machines and machine tools for the generation and distribution of energy; internal combustion motors [other than for land vehicles]; turbines for power generation; compressors; equipment and machines for the automated handling of tools and workpieces; steam engine boilers.

9 – Electronic control systems; electronic control units; electronic meters; data recording, processing, switching, data storage and output apparatus, in particular universal computers, central processing units, personal computers, work stations, data processing programs, in particular communications and network software; artificial intelligence and machine learning software; web application and server software, in particular software for monitoring, analysing, controlling and operating physical world operations; electric and electronic apparatus and installations for process control engineering; service apparatus and machines for power stations, namely pipe checking apparatus; devices for the non-destructive examination of materials in power plants, eddy current testers, ultrasonic testing apparatus, leak detection devices; apparatus for process engineering, namely flow meters, pressure measuring apparatus, regulators, actuators; electric and electronic apparatus for use in analysis, including operational analysis, chromatography and X-ray analysis; X-ray apparatus for technical purposes; high-

voltage, medium-voltage and low-voltage circuit-breakers and switchgear; electrical switch cabinets; high-voltage direct current transmission installations; electric current rectifiers; inverters [electricity]; control engineering apparatus and equipment for switchgear and network control engineering; electricity transformers; power cables and lines; electronic power and torque measuring devices; electronic load indicating devices; solar collectors for electricity generation; emergency power supply apparatus, electro-technical and electronic control parts and ceramic fuses and fittings consisting thereof, batteries, electric; fuel cells; accumulators, electric; solar cells and solar installations formed therefrom; sensors; installations for the storage, distributing and transmission of energy; electrolyzers; recorded content; electrotechnical and electronic measuring, signalling, counting, recording, monitoring, controlling, regulating and commutating apparatus; apparatus and instruments for regulating, accumulating and storing electricity; hardware and software for the operation of commercial and industrial installations, infrastructure installations, in particular for automation, energy generation and distribution, in particular all being in particular for process, product and service optimisation; solar installations, components and parts.

11 – Apparatus for steam generating, drying, refrigerating and ventilating, and components and fittings therefor; sanitary installations, water supply and sanitation equipment; water purifying installations; water desalinating apparatus; water conditioning installations; steam boilers, other than parts of machines; gas boilers.

17 – Seals, silicone sealants and expansion joint fillers; insulation and barrier articles and materials; expansion joint fillers for insulating.

35 – Business consultancy and advisory services.

36 – Financing and funding services; real estate management.

37 – Installation, assembly, maintenance, monitoring and repair of plants, products and facilities for power generation, transmission and distribution, electrical engineering, electronics, IT and mechanical engineering; laying of cables; pipeline laying; maintenance and repair of pipelines.

38 – Transmission of digital files; providing access to databases; telecommunication services provided via Internet platforms and portals and providing of access to the aforesaid portals; access to content, websites and portals.

39 – Electricity and energy distribution services; services relating to transportation and storage.

40 – Metal working and hardening, and surface finishing; metal brazing; electricity generating; rental of power-generating equipment.

41 – Tuition; educational instruction.

42 – Research and development of new products for others; engineering design and consultancy; technical supervision for power generation plants and inspection services; research and development, for others, in the field of electrical engineering, electronics, information technology, medical technology, physics, chemistry and mechanical engineering, as well as planning, consultancy, engineering and technical monitoring services in these fields; building design services; construction drafting; advisory services relating to building design; consultancy in the field of construction drafting; preparation of data processing programmes; rental of electrical engineering, electronic, information technology and medical technology products and installations; materials testing and analysing; material testing; software as a service [SaaS]; platform as a service [PaaS]; rental of electrotechnical, electronic installations.

(260) AM 2021 109640 A

(800) 1548518

(151) 2020 07 21

(891) 2020 07 21

(731) KMEW CO., LTD.

2-27, Shiromi 1-chome, Chuo-ku, Osaka-shi,
Osaka 540-6013, Japan

(540)

Легрэ

(591) Black, white

(531) 28.05

(511)

6 – Iron and steel; nonferrous metals and their alloys; ores of metal; metal materials for building or construction; prefabricated building assembly kits of metal; metal moulds for forming cement products; metal junctions for pipes; metal flanges; road signs of metal [not luminous nor mechanical]; beacons of metal, non-luminous; internal floating lids of aluminium for use with gas or liquefied gas storage tanks; liquefied gas storage tanks of metal; gas storage tanks of metal; containers of metal for transport; metal hardware, not including security locks, keys of metal for locks, ring of metal for keys and padlocks; wire nets and gauzes; metal nameplates and door nameplates; letter boxes of metal; water tanks of metal for household purposes; towel dispensers of metal; metal joinery fittings; safes; outdoor blinds of metal; upright signboards of metal; transportable greenhouses of metal for household use; metal tombs and metal tomb plaques.

19 – Cladding materials, not of metal; cladding materials of cement; cladding planks, not of metal; cladding planks of cement; roof coverings, not of metal; non-metallic roof tiles; roofing panels, not of metal; roofing, not of metal and roofing structures, not of

metal; non-metal roofing materials and roofing elements, for example roofing panels; roofing elements of fiber reinforced cement; panels and slabs of fiber-reinforced cement; non-metallic sidings; fiber cement siding; concrete building panels; fiber cement; building materials made of fiber cement; synthetic-fiber reinforced concrete; cement wall claddings; cement wall components; calcium silicate slabs; wood-fiber reinforced cement boards; fiber reinforced cement boards; ceramic building materials, bricks and refractory products; plastic building materials; synthetic building materials; asphalt and asphalt materials for building or construction; rubber materials for building or construction materials; finish plasters [building material]; lime materials for building or construction materials; gypsum materials for building or construction; rockslide retention nets of textiles [construction materials]; buildings, not of metal; cement and works of cement; building timber; building stone; building glass; non-metallic minerals for building or construction; joinery fittings, not of metal; tar; pitch; flagpoles [structures], not of metal; erosion control mats integrating plants seeds; plastic security windows allowing communication; moulds for forming cement products, not of metal; water-pipe valves, not of metal or plastics; tanks, not of metal or plastics; letter boxes of masonry; outdoor blinds, not of metal and not of textile; non-metallic mineral materials [unworked or semi-worked]; artificial fish reefs, not of metal; poultry houses, not of metal; paint spraying booths, not of metal; road signs, non-luminous and non-mechanical, not of metal; beacons, not of metal, non-luminous; stone lanterns [garden ornaments of stone]; greenhouses, transportable, not of metal, for household use; gravestones; tombstone plaques, not of metal; stone sculptures; sculptures of cement; marble sculptures; artificial garden ponds [structures, not of metal].

(260) AM 2021 109641 A

(800) 1548545

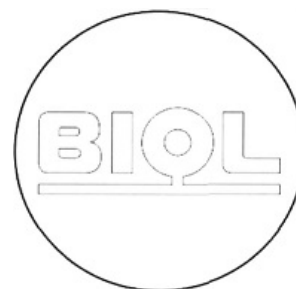
(151) 2020 06 19

(891) 2020 06 19

(731) Limited Trade Development "TH "BIOL"

50 r. Peremogy Str., 36/9, ap. 36, m. Melitopol
72313, Ukraine

(540)



(591) Black, white

(531) 16.01.04; 16.01.13; 16.01.25; 27.05.01;

27.05.11

(511)

21 – Household or kitchen utensils and containers; kitchen dishes; frying pans; cauldrons; coffeepots, non-electric; pressure cookers, non-electric; kettles, non-electric; mess-tins; stew-pans; basins [receptacles]; cooking pots; grilles (cooking utensils); combs and sponges; brushes, except paintbrushes; brush-making materials; articles for cleaning purposes; saucapan scourers of metal; unworked or semi-worked glass, except building glass; glassware, porcelain and earthenware.

(260) AM 2021 109691 A

(800) 1549221

(151) 2020 04 28

(891) 2020 04 28

(731) Tecomaria Investments Limited

1, Lampousas Street, CY-1095 Nicosia,
Cyprus

(540)

rhesoglobin

(591) Black, white

(511)

5 – Bacterial preparations for medical and veterinary use; bacteriological preparations for medical and veterinary use; albuminous preparations for medical purposes; biological preparations for medical purposes; immunostimulants; depuratives; medicines for human purposes; drugs for medical purposes; pharmaceutical preparations; pharmaceuticals; ferments for pharmaceutical purposes; chemico-pharmaceutical preparations; chemical preparations for medical purposes; chemical preparations for pharmaceutical purposes.

(260) AM 2021 109693 A

(800) 1549244

(151) 2020 04 28

(891) 2020 04 28

(731) Tecomaria Investments Limited

1, Lampousas Street, CY-1095 Nicosia,
Cyprus

(540)

альбувен

(591) Black, white

(531) 28.05

(511)

5 – Albumin dietary supplements; bacterial preparations for medical and veterinary use; bacteriological preparations for medical and veterinary use; albuminous preparations for medical purposes; biological preparations for medical purposes; vaginal washes for medical purposes; vaccines; diagnostic preparations for medical purposes; immunostimulants; depuratives;

medicines for human purposes; drugs for medical purposes; pharmaceutical preparations; ferments for pharmaceutical purposes; chemico-pharmaceutical preparations; chemical preparations for medical purposes.

(260) AM 2021 109707 A

(800) 1549473

(151) 2020 03 06

(891) 2020 03 06

(731) KIDZ WORLD S.L.

Constitució 3, baixos 2^a, E-08960

Sant Just Desvem, Spain

(540)



(591) White, yellow, blue, red, black, gray, brown and maroon

(531) 04.05.04; 27.05.17; 29.01.15

(511)

28 – Games and toys.

(260) AM 2021 109708 A

(800) 1549492

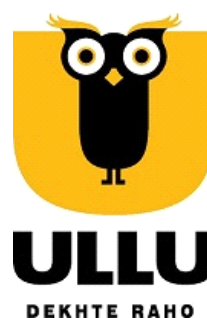
(151) 2020 02 11

(891) 2020 02 11

(731) VIBHU AGARWAL

193, Gautam Budh Marg, Bansmandi,
Lucknow-226018, India

(540)



(591) Black, white, Yellow

(531) 03.07.05; 03.07.24; 27.05.08; 27.05.09;
27.05.10; 29.01.13

(511)

41 – Entertainment services in the nature of providing non-downloadable video by subscription video on demand; publication of printed matter; book, audio book, newspaper, magazine and web magazine publishing; publishing of electronic publications; providing non-downloadable electronic publications; lending and rental of books, audio books and other pub-

lications; digital imaging services [photography]; providing non-downloadable videos, films, movies and television shows via a video-on-demand service; film and video rental services; film, movie, tv show and video production and distribution; creating and developing concepts for movies and television programs; audio and video recording services; providing online radio programming; digital audio, video and multimedia publishing services; providing non-downloadable pre recorded music and audio; providing online information and commentary in the field of music and audio; presenting live musical concerts and performances; music production services; music publishing services; providing online video games; providing online non-downloadable game software; publishing of game software; production of video and computer game software; rental of video games; entertainment services, namely, live performances by video game players; entertainment services, namely, providing online videos featuring games being played by others; entertainment services, namely, providing virtual environments in which users can interact for recreational, leisure or entertainment purposes; entertainment services, namely, providing on-line virtual goods for use in virtual environments created for entertainment purposes; games services provided via an online website portal for consumers to play on-line computer games and electronic games and share game enhancements and game strategies; arranging and conducting competitions and tournaments for video game players; organizing video gaming leagues; providing enhancements within online video games, namely enhanced levels of game play; publishing of reviews; providing information in the field of entertainment and education via a web site featuring the ratings, reviews and recommendations of users; providing ratings and reviews of television, movies, videos, music, screenplays, scripts, books and video game content; entertainment information; providing online news, information and commentary in the field of entertainment; blogs featuring information about entertainment; entertainment services, namely, profiling of musicians, artists and bands; providing a subscription based website featuring non-downloadable music, radio, movies, tv shows, videos and information about music, albums, artists and songs; providing non-downloadable music, radio, movies, tv shows, videos and information about music, albums, artists and songs via a subscription based website.

(260) AM 2021 109709 A

(800) 1549501

(151) 2020 03 10

(891) 2020 03 10

(731) Soft Construct Limited

Clinch's House, Lord Street, Douglas

IM99 1RZ, Isle of Man

(540)

VBET

(591) Black, white

(511)

9 – Apparatus for recording, transmission or reproduction of sound or images; magnetic data carriers; recording discs; application software; data processing equipment and computers; AC adapters for consumer video game apparatus; AC adapters for handheld electronic game apparatus; programs recorded on electronic circuits for amusement apparatus; joysticks for use with computers; apparatus and instruments for recording, transmission or reproduction of sound, data and/or images; application software relating to and for playing games; audio and video tapes; augmented reality software; augmented reality games software; augmented reality software for use in mobile devices; augmented reality hardware; batteries and cells; CD-ROMs; computer games software for use on mobile and cellular phones; cellular phone straps; charging stands for controllers for consumer video game apparatus; charging stands for handheld electronic game apparatus; compact discs; computer and electronic games software; computer game programs recorded on tapes [software]; computer hardware and software for playing games and gaming; computer interfaces; downloadable computer game software; computer software; computer software applications, downloadable; computer application software featuring games and gaming; computer software downloadable from global computer networks; computer software downloadable from the Internet; computer software and programs for use on computer networks including the Internet; computer software platforms for social networking; computer software to enable uploading, posting, showing, displaying, tagging, blogging, sharing or otherwise providing electronic media or information in the fields of virtual communities, electronic gaming, entertainment, and general interest via the Internet or other communications networks with third parties; computer software platforms for computer software programs running on, or in connection with, mobile devices; computer software for the provision and management of on-line games and competitions; computer software for use on computer networks, including the Internet relating to and for playing games; computer software relating to and for playing games; computer programs and application software for use on telephones and handheld mobile devices; computer programs relating to and for playing games; digital video discs; display equipment and installations; downloadable electronic publications; downloadable electronic publications featuring games; downloadable computer programs; downloadable information relating to games and gaming; electronic cards for use in connection with promotion schemes; earphones for consumer video game apparatus; earphones for handheld electronic game apparatus; electronic loyalty

scheme cards; electronic publications; electronic publications, downloadable, relating to games and gaming; electronic publications (downloadable); electronic publications featuring games; entertainment software; graphical user interface software; computer game software; holographic images; prerecorded data carriers; interactive computer systems; mobile app's; mobile data apparatus; interactive computer software; interactive multimedia software for playing games; optical data carriers; sound carriers; magnetic, optical, electronic and smart cards (cards with integrated circuits); magnetically encoded cards; microphones for consumer video game apparatus; monitors for consumer video game apparatus; microphones for handheld electronic game apparatus; monitors for arcade video game machines; monitors for handheld electronic game apparatus; computer software for the administration of online betting, games, gaming and gambling; liquid crystal protective films for smartphones; rechargeable batteries; rechargeable batteries for controllers for consumer video game apparatus; rechargeable batteries for handheld electronic game apparatus; software for use with games, entertainment recreational, amusement, gaming and video game terminals, machines and apparatus; software for interactive scratch cards and scratch card games; sound and video recordings; data storage media; stylus pens for controllers for consumer video game apparatus; stylus pens for handheld electronic games apparatus; stylus pens for cellular phones; virtual reality games software; software for lottery games; virtual reality software; virtual reality hardware; virtual reality headsets; virtual reality glasses; computer hardware for games and gaming; parts and fittings for all the aforesaid goods.

16 – Paper, cardboard; printed matter; bookbinding material; photographs; stationery; adhesives for stationery or household purposes; artists' materials; paint brushes; typewriters and office requisites (except furniture); instructional and teaching material (except apparatus); plastic materials for packaging (not included in other classes); printers' type; printing blocks; instructional and informative printed matter relating to bets, betting, games, gaming and gambling betting forms; betting slips; coupons for betting purposes; calendars; printed cards; printed game instruction sheets; printed scoring sheets; tickets; paper tokens; vouchers; printed publications relating to bets, betting, games, gaming and gambling.

28 – Games, toys, playthings and novelties; apparatus for games; arcade games; automatic gaming machines; automatic slot machines; bags specially adapted for handheld games; bags specially adapted for handheld video games; bill-operated gaming equipment; action skill games; electronic board games; electronic games other than those adapted for use with television receivers only; free standing video games apparatus; gaming apparatus; gaming machines; portable interactive multimedia computer games apparatus; manipu-

lative games; hand held electronic video games; parlour games; portable games with liquid crystal displays; puzzle games; puzzles; question sets for games; electronic games; controllers for games consoles; protective films adapted for screens for portable games; electronic game equipment; hand-held games apparatus; hand-held electronic games apparatus; slot machines; scratch card games; lottery scratch cards; scratch cards; scratch cards for playing lottery games; lottery games; electronic games apparatus; amusement apparatus and accessories for games, adapted for use with televisions; lottery tickets; parts and fittings for all the aforesaid goods.

35 – Advertising; business management; business administration; office functions; auctioneering, including on the Internet; bookkeeping; classified advertising services; collating of data in computer databases; compilation of statistics; computerised file managing; demonstration of goods; distribution of samples; business services related to establishing and providing sales, brokerage and collection points for betting; layout design for advertising purposes; loyalty card services; on-line advertising in computer networks; on-line advertising on a computer network; on-line data processing services; organisation of promotional incentive schemes; presentation of goods on communication media, for retail purposes; production of radio, television and cinema advertisements; retail services in relation to games, apparatus and devices for betting, games, gaming, gambling and wagering; retail services in relation to software and software packages for the registration and operation of betting related to sports, magnetic, optic and recording data- and sound carriers, data processing equipment and computers and CD-ROMs; sales promotion [for others]; retail services in relation to printed publications; advertising the goods and services of others through sponsorship arrangements; systematic ordering of data in computer databases; business organization consultancy with regard to providing of betting; television advertising; vending machine rental services; wholesale services in relation to games, gaming and gambling equipment, games and books relating to gambling, and betting materials, devices and equipment; business services related to establishing of sports betting offices; information concerning the services mentioned before; services mentioned before through or not through the Internet; advisory and consultancy services in relation to the aforesaid.

41 – Education (training); entertainment services; sporting and cultural activities; entertainment by or relating to games, competitions, quizzes and audience participation events; amusement arcades; amusement arcade gaming machine rental services; amusement parks; arranging and conducting of contests and competitions, including offline and online by way of a computer database or the Internet; arranging, organizing, providing, presenting and management of a

lottery, of competitions, games, quizzes, fun events and audience participation events, and of gaming and gambling services; the provision of equipment for gambling in casinos (rental); lottery services; providing on-line interactive games; betting; betting, gaming, games, gambling, book-making, bingo, poker and casino services; betting services; betting services for receiving, recording and conducting bets and paying out betting winnings; betting and bookmaking services provided by means of the internet, betting offices and sports betting terminals; betting shop services provided through retail betting shops; casino, gaming and gambling services; conducting lotteries; electronic betting, gambling and gaming services; entertainment; entertainment information for tourists; entertainment services in the nature of on-line gaming and gambling; entertainment services, namely, providing virtual environments in which users can interact through social games for recreational, leisure or entertainment purposes; electronic game, quiz and competition services provided by means of the Internet or on-line from a computer network or database; entertainment in the form of gaming services; services provided from an internet platform; horse racing betting; organisation of instant lotteries; entertainment and sporting services provided on-line from a computer database or the Internet; sports betting services provided by sports betting offices; gambling, gaming, betting and wagering services; gambling services provided by means of the Internet; horses (betting on-); hospitality services (entertainment); information services relating to recreation; information relating to online computer games; interactive entertainment; interactive lottery, gambling, gaming, betting and pools services; Internet lottery, gambling, gaming, betting and pools services; lottery, gambling, gaming, betting and pools services; on-line betting, gambling and gaming services; on-line spread betting, gaming, betting, gambling bookmaking and wagering services; organization, production, presentation and conducting of betting events and forums, competitions, contests, games and quizzes; organization, production and presentation of television and radio programs; organization, production and presentation of shows and live performances; organisation and operation of football pools, lotteries and betting; organisation and holding of contests and competitions, including on-line by way of a computer database or the Internet; organising of lotteries; organisation of television lotteries; organisation of on-line betting; organisation of television games and on-line games in the global computer network; prize draws; providing interactive multi-player computer games via the Internet and electronic communication networks; providing temporary use of non-downloadable interactive, multiplayer and single player games; providing online computer and electronic games by means of a web based system; providing a computer game that may be accessed network-wide by network users; provision of betting and gaming services by

means of a computer based system; provision of non-downloadable internet games; providing games on line, namely, interactive scratch cards and scratch card games by wireless, mobile phone, telephone, television, internet or by remote or network communication; providing online reviews of computer games, and providing of information relating to computer games; provision of information on-line via the Internet or from a computer network or database relating to entertainment, lottery, gaming, betting and gambling services; providing casino facilities (gambling); providing casino and gaming services by means of a website and a global computer network; providing on-line information about casinos, gambling and general news about the gaming industry; providing on-line computer games; providing information regarding on-line games; providing information on-line from a computer database or electronic network, including the Internet, relating to entertainment and sporting events; provision of information relating to sporting events; publishing of books; publication of texts, other than publicity texts; production of radio and television programmes; publication of electronic books or periodicals on-line; providing of on-line electronic publications, not downloadable; providing gaming services in halls with games machines; provision of information on-line from a computer database or from the Internet in relation to casinos, gaming, gambling, general news about the gaming industry, bonus schemes related to betting and gaming, betting services, sporting events, amusement, casino, entertainment and betting consultation services; providing on-line information in the field of computer gaming entertainment; providing gaming house facilities; providing information in the field of sport and entertainment through computerised, electronic and online databases; providing information relating to sport and entertainment online from a computerised database on the Internet; provision of information about gambling and games; on-line gaming services; provision of on-line publications about gambling; rental of gaming and gambling machines and equipment; receiving and conducting of betting, in particular sports betting; running lotteries, exchange rate betting, pools, jackpot systems, tipping competitions and games, running online games, keeping gambling houses, keeping casinos; services in the field of racing, wagers and betting, games of chance, entertainment, bingo halls, casinos, contests, gaming, gambling, games of chance, electronic games, media games, tournaments for poker and other card games, action skill games and lotteries, including online via a computer database, telecommunications and the Internet; sports betting services provided by a sports bookmaker; computerized bingo services; spread betting, gaming, betting, gambling, bookmaking and wagering services; television betting, gambling and gaming services; telephone betting, gambling and gaming services and offshore betting, gambling and gaming services; be-

tting, games, gaming and gambling machine rental services; provision of the aforesaid services in electronic or computer form, via the television, radio or other means of broadcasting; provision of the aforesaid services on-line via the Internet or from a computer network or database; consultancy, information and advisory services relating to all the aforesaid services.

42 – Scientific and technological services and research and design relating thereto; industrial analysis and research services; design and development of computer hardware and software; application service provider (ASP); computer services, namely, hosting an online community for registered users to participate in competitions, showcase their skills, get feedback from their peers, form virtual communities, and engage in social networking; application service provider (ASP) featuring software to enable or facilitate the uploading, downloading, streaming, posting, displaying, blogging, linking, sharing or otherwise providing electronic media or information over communication networks; computer game design; creation, hosting, updating and maintaining Internet sites; design and development of software in the form of services relating to the development and creation of software for use in relation to electronic games downloadable from the Internet, electronic puzzles downloadable from the Internet, electronic board games downloadable from the Internet, electronic games of skill, electronic gambling games and electronic card games including those downloadable from the Internet, skill games, electronic games and software for fixed odds betting programs; providing temporary use of non-downloadable software for betting programs, horse racing betting, instant lotteries, and pools; design and development services in relation to gaming and gambling machines, apparatus and accessories; design and development services in relation to interactive entertainment products; design and development of virtual reality software and hardware; design and development of augmented reality software and hardware; design of scratch cards and electronic scratch cards and scratch card games; design services relating to the production of computer games and interactive entertainment products; design services in relation to interactive games enabling users to buy, sell, and participate in auctions whilst participating in the game; design of graphics, visuals, virtual and interactive images, and of special effects for games, audiovisual, multimedia productions and for Internet gaming and gambling website pages; development of computer software applications solutions; providing temporary use of non-downloadable software for use in connection with interactive, multiplayer and single player games, gaming and gambling; providing temporary use of non-downloadable software in connection with interactive, multiplayer and single player games, gaming and gambling for third parties, through a web

hosting platform; technical management of technology with regard to providing of betting.

(260) AM 2021 109710 A

(800) 1549511

(151) 2020 06 19

(891) 2020 06 19

(731) Bogatyrev Vasily Alexandrovich
ul. Admiral Zhiltsov, 3 sq. 13, Ivanteevka,
RU-141280 Moscow region, Russian
Federation

(540)



(591) Black, grey, red and white

(531) 03.07.19; 29.01.14

(511)

34 – Flavorings, other than essential oils, for tobacco; flavorings, other than essential oils, for use in electronic cigarettes; gas containers for cigar lighters; absorbent paper for tobacco pipes; cigarette paper; lighters for smokers; tobacco pouches; books of cigarette papers; humidors; matchboxes; firestones; cigar cutters; cigar holders; cigarette holders; mouthpieces for cigarette holders; tips of yellow amber for cigar and cigarette holders; ashtrays for smokers; spittoons for tobacco users; pipe racks for tobacco pipes; pipe cleaners for tobacco pipes; liquid solutions for use in electronic cigarettes; electronic cigarettes; cigarettes; cigarettes containing tobacco substitutes, not for medical purposes; cigarillos; cigars; tobacco jars; match holders; matches; oral vaporizers for smokers; tobacco; chewing tobacco; snuff; snuff boxes; herbs for smoking; tobacco pipes; pocket machines for rolling cigarettes; cigarette filters; wicks adapted for cigarette lighters; cigarette tips; cigar cases; cigarette cases.

(260) AM 2021 109866 A

(800) 1551503

(151) 2020 07 22

(891) 2020 07 22

(731) PERNOD RICARD

5 cours Paul Ricard, F-75008 Paris,
France

(540)

PERNOD RICARD

(591) Black, white

(511)

33 – Alcoholic beverages, except beers.

35 – Retail or wholesale services for beverages; retail or wholesale services for products intended for the tasting of beverages, namely glasses and bar accessories; provision of on-line sales spaces for buyers and sellers; grouping services (except transport) for the benefit of third parties; presentation of goods on any means of communication for retail or wholesale of beverages and of products intended for the tasting of beverages, namely glasses and bar accessories; point-of-sale advertising; distribution of brochures, samples, advertising items; dissemination of advertisements; publication of advertising texts; demonstration of goods; advertising by mail order; radio advertising; television advertising; online advertising; organization of events, trade fairs, competitions, shows, exhibitions for commercial or advertising purposes related to the beverage industry; customer loyalty services and customer club services for commercial, promotional and/or advertising purposes; commercial and administrative business management; commercial administration; commercial or industrial company management assistance; business management and organization consultancy; linkage between commercial and professional contacts.

(260) AM 2021 109867 A

(800) 1551505

(151) 2020 08 11

(891) 2020 08 11

(731) SOCIETE EUROPEENNE DE
CARDIOLOGIE

2035 route des Colles, F-06903 Sophia
Antipolis, France

(540)

ESC Preventive Cardiology

(591) Green

(531) 27.05.01; 29.01.03

(511)

41 – Organization and conducting of colloquiums, conferences and congresses; organization and conducting of seminars; organization and conducting of symposiums; organization and conducting of non-virtual educational forums; organization and conducting of training workshops; education; training; editing of medical publications; all of the aforesaid services applying to the field of medicine excluding cerebral circulatory disorders and disorders related to the use of the Internet.

(260) AM 2021 109868 A

(800) 1551513

(151) 2020 06 02

(891) 2020 06 02

(731) Euro Games Technology Ltd.

4, "Maritsa" Str., "Vranya-Lozen-Triugulnika",
BG-1151 Sofia, Bulgaria

(540)



(591) Red, orange, brown, white, gold, yellow and black

(531) 04.03.03; 24.05.01; 27.05.02; 28.03; 29.01.15

(511)

9 – Software; computer gaming software; computer software packages; computer operating system software; computer software, recorded; software drivers; virtual reality software; games software; entertainment software for computer games; computer programs for network management; operating computer software for main frame computers; monitors (computer hardware); computer hardware; apparatus for recording images; monitors (computer programs); computer game programs; computer programs for recorded games; apparatus for recording, transmission or reproduction of sound or images; communications servers [computer hardware]; electronic components for gambling machines; computer application software featuring games and gaming; computer software for the administration of on-line games and gaming; computer hardware for games and gaming; electronic components and computer software for gambling, gambling machines, gambling games on the internet and via telecommunication network.

28 – Gaming machines for gambling; chips for gambling; mah-jong; arcade games; gambling machines operating with coins, notes and cards; games; electronic games; parlor games; gaming chips; gaming tables; slot machines [gaming machines]; LCD game machines; slot machines and gaming devices; coin-operated amusement machines; roulette chips; poker chips; chips and dice [gaming equipment]; equipment for casinos; roulette tables; gaming roulette wheels; casino games; gambling machines and amusement machines, automatic and coin-operated; coin-operated amusement machines and/or electronic coin-operated amusement machines with or without the possibility of gain; boxes for coin-operated machines, slot machines and gaming machines; electronic or electrotechnical amusement machines and apparatus, gaming machines, coin-operated entertainment machines; housings for coin-operated machines, gaming equipment, gaming machines, machines for gambling; electropneumatic and electrical slot machines (gaming machines for gambling).

41 – Gambling; services related to gambling; gaming services for entertainment purposes; casino, gaming and gambling services; training in the development of software systems; provision of equipment for gambling halls; providing casino equipment [gambling]; gaming machine entertainment services; providing

casino facilities [gambling]; gaming hall services; amusement arcade services; games equipment rental; rental of gaming machines; providing amusement arcade services; rental of gaming machines with images of fruits; editing or recording of sounds and images; sound recording and video entertainment services; hire of sound reproducing apparatus; provision of gaming equipment for casinos; providing of casino facilities; online gambling services; casino, gaming and gambling services; provision of gaming facilities, gaming halls, Internet casinos, online gaming services.

INTERNATIONAL TRADEMARKS PROTECTED IN GEORGIA

(260) AM 2021 107425 A
(800) 1518095
(151) 2019 12 10
(181) 2029 12 10
(891) 2019 12 10
(511) 19

(260) AM 2021 108026 A
(800) 1526884
(151) 2020 03 24
(181) 2030 03 24
(891) 2020 03 24
(511) 09

APPELLATION OF ORIGIN OF GOOD

AMENDMENTS TO REGISTERED AO WINE

KHVANCHKARA

(Reg. № 1: Date: 14 07 2005)

In accordance to the Order No. 04/06 (07/02/2018) of Chief of Department of TMs & GIs of the LEPL "IP Center of Georgia – SAKPATENTI", the amendment was made to the specification of registered AO wine – KHVANCHKARA.

Said information about "AOs & GIs of goods" shall be published in Official Bulletin of IP Georgia and one central newspaper, in accordance to the Legislation on GIs & AOs of Goods of Georgia. The comments and additional information shall be filed into SAKPATENTI, within 3 months, after application materials publication, it shall be sent to the Ministry of Environmental Protection and Agriculture of Georgia for study.

If SAKPATENTI will not receive any additional information on said material, published data on AO wine – KHVANCHKARA shall be reflected on Governmental Register for GIs & AOs.

SPECIFICATION ARTICLE 15 SHALL BE FORMED AS FOLLOWING EDITING:

15. TRANSITIONAL PROVISIONS

Notwithstanding the requirements of paragraph 9 of the Specification, grape processing and winemaking are permitted outside the microzone Khvanchkara, within the territory of Georgia, until December 2021.

OFFICIAL NOTIFICATIONS

INVENTIONS

ABOLITION OF PATENTS WITH THE RIGHT TO RESTORE

(21) AP 2009 11190
(11) P 2010 4921 B
(73) Davit Baratashvili;
Neli Khalvashi
(54) METHOD OF CULTIVATION OF SEEDLINGS OF THE ACTINIDIA CHINESE
(ACTINIDIA CHINENSIS)
DATE OF CANCELLATION OF PATENT: 2021 03 30
THE TERM OF RESTORATION OF PATENT: 2022 03 30

(21) AP 2012 13272
(11) P 2016 6568 B
(73) Palupa Medical LTD
(54) COMPOSITIONS FOR THE TREATMENT OF NEUROLOGIC DISORDERS
DATE OF CANCELLATION OF PATENT: 2021 03 28
THE TERM OF RESTORATION OF PATENT: 2022 03 28

(21) AP 2015 13776
(11) P 2016 6558 B
(73) Nugzar Tsereteli;
Ketevan Tsereteli
(54) CHARGE FOR OBTAINING SILICOMANGANESE
DATE OF CANCELLATION OF PATENT: 2021 03 30
THE TERM OF RESTORATION OF PATENT: 2023 03 30

(21) AP 2014 13971
(11) P 2017 6742 B
(73) Aziende Chimiche Riunite Angelini Francesco A.C.R.A.F. S.p.A. (IT)
(54) GLYCOGEN-BASED WATER SOLUBILITY ENHANCERS
DATE OF CANCELLATION OF PATENT: 2021 03 31
THE TERM OF RESTORATION OF PATENT: 2022 03 31

(21) AP 2016 14106
(11) P 2018 6819 B
(73) Archil Prangishvili;
Levan Imnaishvili;
Maguli Bedineishvili;
Natia Kiritadze
(54) BIOMETRICAL ELECTIVE SYSTEM
DATE OF CANCELLATION OF PATENT: 2021 03 31
THE TERM OF RESTORATION OF PATENT: 2022 03 31

(21) AP 2015 14304
(11) P 2018 6932 B
(73) Millennium Pharmaceuticals Inc.
(54) PHARMACEUTICAL FORMULATIONS OF PAN-RAF KINASE INHIBITOR,
PROCESSES FOR THEIR PREPARATION, AND METHODS OF USE

DATE OF CANCELLATION OF PATENT: 2021 03 26
THE TERM OF RESTORATION OF PATENT: 2022 03 26

(21) AP 2017 14467
(11) P 2018 6889 B
(73) Georgian Technical University
(54) DEVICE CONTROLLING AND SIGNALING LEAK OF NATURAL GAS
DATE OF CANCELLATION OF PATENT: 2021 04 05
THE TERM OF RESTORATION OF PATENT: 2022 04 05

(21) AP 2017 14469
(11) P 2018 6845 B
(73) David Chachanidze;
Teimuraz Ghoghoberidze;
Nino Kuntseva-Gabashvili;
Tsovinar Nazarova
(54) REMEDY AGAINST BEE NOZEMATOSIS
DATE OF CANCELLATION OF PATENT: 2021 04 07
THE TERM OF RESTORATION OF PATENT: 2022 04 07

EXPIRATION OF TERM OF RESTORATION OF PATENTS

(21) AP 2010 11741
(11) P 2012 5460 B
(73) Les Laboratoires Servier
(54) NEW PROCESS FOR THE SYNTHESIS OF IVABRADINE AND ITS PHARMACEUTICALLY
ACCEPTABLE ACID ADDITION SALTS
DATE OF CANCELLATION OF PATENT: 2020 03 29
THE TERM OF RESTORATION OF PATENT VALIDITY HAS EXPIRED: 2021 03 29

(21) AP 2010 11742
(11) P 2012 5446 B
(73) Les Laboratoires Servier
(54) NEW PROCESS FOR THE SYNTHESIS OF IVABRADINE AND ITS PHARMACEUTICALLY
ACCEPTABLE ACID ADDITION SALTS
DATE OF CANCELLATION OF PATENT: 2020 03 29
THE TERM OF RESTORATION OF PATENT VALIDITY HAS EXPIRED: 2021 03 29

(21) AP 2011 12154
(11) P 2012 5591 B
(73) Khoze Sordia
(54) METHOD OF HYDROGEN SULFIDE WATER SOLUTION DECOMPOSITION
DATE OF CANCELLATION OF PATENT: 2020 03 28
THE TERM OF RESTORATION OF PATENT VALIDITY HAS EXPIRED: 2021 03 28

(21) AP 2015 13777
(11) P 2017 6738 B
(73) Malkhaz Tsiskarishvili;
Sergo Jorbenadze;

Pridon Guntsadze;
Anzor Sakandelidze

(54) PORT WITH FLOATING MEANS AUTOMATICALLY FIXATIVE SYSTEM AT CHOPPINESS PORT
WITH FLOATING MEANS AUTOMATICALLY FIXATIVE SYSTEM AT CHOPPINESS

DATE OF CANCELLATION OF PATENT: 2020 03 30

THE TERM OF RESTORATION OF PATENT VALIDITY HAS EXPIRED: 2021 03 30

(21) AP 2003 8438

(11) P 2007 4176 B

(73) Maelor Laboratories Limited

(54) TOPICAL PHARMACEUTICAL COMPOSITIONS COMPRISING PROANTHOCYANIDINS
FOR THE TREATMENT OF DERMATITIS

DATE OF CANCELLATION OF PATENT: 2020 03 31

THE TERM OF RESTORATION OF PATENT VALIDITY HAS EXPIRED: 2021 03 31

(21) AP 2003 8488

(11) P 2007 4022 B

(73) Euro-Celtique S.A.

(54) PHARMACEUTICAL FORMULATIONS COMPRISING OXYCODONE AND NALOXONE

DATE OF CANCELLATION OF PATENT: 2020 04 04

THE TERM OF RESTORATION OF PATENT VALIDITY HAS EXPIRED: 2021 04 04

(21) AP 2003 8489

(11) P 2008 4485 B

(73) Euro-Celtique S.A.

(54) MATRIX FOR SUSTAINED, INVARIANT AND INDEPENDENT RELEASE OF ACTIVE COMPOUNDS

DATE OF CANCELLATION OF PATENT: 2020 04 04

THE TERM OF RESTORATION OF PATENT VALIDITY HAS EXPIRED: 2021 04 04

EXPIRATION OF PATENT

(21) AP 2011 12185

(11) P 2012 1704 B

(73) LTS G-M-P

(54) TABLET WITH CONTROLLABLE RELEASE OF TRIMETAZIDINE

Expiration date of the patent: 14 04 2021

UTILITY MODELS

EXPIRATION OF PATENT RESTORATION

(21) AU 2015 13963
(11) U 2017 1919 Y
(73) LEPL TSMU Iovel Kutateladze Institute of Pharmacochemistry;
LEPL Tbilisi State Medical University
(54) GEL FOR ELECTROTHERAPY
DATE OF CANCELLATION OF PATENT: 2020 10 16
THE TERM OF RESTORATION OF PATENT: 2021 04 26

ABOLITION OF PATENT WITH THE RIGHT TO RESTORE

(21) AU 2015 13782
(11) U 2016 1888 Y
(73) Zurab Chkhaidze;
Nodar Khodeli;
Otar Shengelia
(54) ARTIFICIAL APPARATUS FOR BLOOD CIRCULATION
DATE OF CANCELLATION OF PATENT: 2021 04 03
THE TERM OF RESTORATION OF PATENT: 2022 04 03

DESIGNS

EXTENSION OF DESIGN REGISTRATION VALIDITY PERIOD

(11) D 2012 492 S
(73) Brown-Forman Finland Ltd (FI)
Porkkalankatu 24, 00180 Helsinki, Finland (FI)
(54) BOTTLE
(28) 1
(24) 2011 08 10
(18) 2026 08 10
(58) 2021 04 08

CANCELLATION OF REGISTRATION

(11) D 2015 649 S
(73) Giorgi Zautashvili
M. Kantaris St. 10, app. 2, 0186, Tbilisi, Georgia (GE)
(54) LABEL LAYOUT ON THE BOTTLE
(18) 2020 09 29
(58) 2021 04 08

CANCELLATION OF REGISTRATION OF INTERNATIONAL DESIGNS

(11) DM/87032
(73) IPEK KAGIT SANAYI VE TICARET ANONIM SIRKETI
Kanyon Ofis Buyukdere Caddesi No: 185, TR-34394 Istanbul (TR)
Date of cancellation of registration: 2020 06 10
(58) 2021 04 16

(11) DM/87227
(73) MACOM S.R.L.
Via G. da Procida, 10, I-20149 MILANO (IT)
Date of cancellation of registration: 2020 06 17
(58) 2021 04 16

(11) DM/87252
(73) GUCCIO GUCCI S.P.A.
Via Tornabuoni, 73/R, I-50123 FIRENZE (IT)
Date of cancellation of registration: 2020 08 07
(58) 2021 04 16

(11) DM/87273
(73) PRYVATNE AKTSIONERNE TOVARYSTVO "ODESKII ZAVOD SHAMPANSKYH VYN"
Francuzskii bulvar, 36, Odessa 65038 (UA)
Date of cancellation of registration: 2020 05 20
(58) 2021 04 16

(11) DM/87369
(73) THE SWATCH GROUP MANAGEMENT SERVICES AG (THE SWATCH GROUP MANAGEMENT SERVICES SA) (THE SWATCH GROUP MANAGEMENT SERVICES LTD.)
Seevorstadt 6, CH-2502 BIEL/BIENNE (CH)
Date of cancellation of registration: 2020 03 16
(58) 2021 04 16

(11) DM/87457
(73) VALENTINO S.P.A.
Via Turati, 16/18, I-20121 MILANO (EM)
Date of cancellation of registration: 2020 07 08
(58) 2021 04 16

(11) DM/87478
(73) VALENTINO S.P.A.
Via Turati, 16/18, I-20121 MILANO (EM)
Date of cancellation of registration: 2020 07 17
(58) 2021 04 16

(11) DM/87487
(73) VALENTINO S.P.A.
Via Turati, 16/18, I-20121 MILANO (EM)
Date of cancellation of registration: 2020 09 04
(58) 2021 04 16

(11) DM/87499
(73) SWATCH AG (SWATCH SA) (SWATCH LTD.)
Jakob-Stämpfli-Strasse 94, CH-2502 Biel/Bienne (CH)
Date of cancellation of registration: 2020 09 07
(58) 2021 04 16

(11) DM/87501
(73) VALENTINO S.P.A.
Via Turati, 16/18, I-20121 MILANO (EM)
Date of cancellation of registration: 2020 09 04
(58) 2021 04 16

(11) DM/87512
(73) SWATCH AG (SWATCH SA) (SWATCH LTD.)
Jakob-Stämpfli-Strasse 94, CH-2502 Biel/Bienne (CH)
Date of cancellation of registration: 2020 09 11
(58) 2021 04 16

(11) DM/87529
(73) YORULMAZER, RAFET EREN
Askerocagi Caddesi No:15 Suzer Plaza Kat:30/31, Sisli Istanbul (TR)
Date of cancellation of registration: 2020 06 09
(58) 2021 04 16

(11) DM/87530
(73) DAVID T. SHIVOLO
P.O Box 4795, Walvisbay 9000 (NA)
Date of cancellation of registration: 2020 06 18
(58) 2021 04 16

(11) DM/87591
(73) SWATCH AG (SWATCH SA) (SWATCH LTD.)
Jakob-Stämpfli-Strasse 94, CH-2502 Biel/Bienne (CH)
Date of cancellation of registration: 2020 09 18
(58) 2021 04 16

(11) DM/87677
(73) SWATCH AG (SWATCH SA) (SWATCH LTD.)
Jakob-Stämpfli-Strasse 94, CH-2502 Biel/Bienne (CH)
Date of cancellation of registration: 2020 09 28
(58) 2021 04 16

(11) DM/87686
(73) FOSBEL INC.
20600 Sheldon Road, Brook Park, OH 44142 (US)
Date of cancellation of registration: 2020 05 14
(58) 2021 04 16

(11) DM/87687
(73) FOSBEL INC.
20600 Sheldon Road, Brook Park, OH 44142 (US)
Date of cancellation of registration: 2020 05 14
(58) 2021 04 16

(11) DM/87721
(73) VALENTINO S.P.A.
Via Turati, 16/18, I-20121 MILANO (EM)
Date of cancellation of registration: 2020 09 04
(58) 2021 04 16

(11) DM/87800
(73) ASH-D ICECEK GIDA OTOMOTIV TEMIZLIK SANAYI VE TICARET A.S.
Maslak Ahi Evren Cad. Ata Center No:1 Kat:1 Sisli, Istanbul (TR)
Date of cancellation of registration: 2020 09 25
(58) 2021 04 16

(11) DM/87803
(73) SWATCH AG (SWATCH SA) (SWATCH LTD.)
Jakob-Stämpfli-Strasse 94, CH-2502 Biel/Bienne (CH)
Date of cancellation of registration: 2020 09 30
(58) 2021 04 16

(11) DM/87925
(73) CASPIAN INNOVATION AS
Postboks 1462, N-5518 HAUGESUND (NO)
Date of cancellation of registration: 2020 09 01
(58) 2021 04 16

TRADEMARKS

RENEWAL OF REGISTRATIONS

(111) M 2001 13914 R2
(156) 2001 05 29
(186) 2031 05 29
(732) Honda Giken Kogyo Kabushiki Kaisha
(also trading as Honda Motor Co., Ltd)
No. 1-1, 2-chome, Minami-aoyama,
Minato-ku, Tokyo, Japan

(111) M 2001 13923 R2
(156) 2001 06 13
(186) 2031 06 13
(732) Bayer Intellectual Property GmbH
Alfred-Nobel-Strasse 10, 40789 Monheim am
Rhein, Germany

(111) M 2011 21065 R1
(156) 2011 01 17
(186) 2031 01 17
(732) Marriott Worldwide Corporation
10400 Fernwood Road, Bethesda, Maryland
20817, USA

(111) M 2011 21309 R1
(156) 2011 03 24
(186) 2031 03 24
(732) Qualcomm Incorporated
5775 Morehouse Drive, San Diego, California
92121-1714, USA

(111) M 2011 21339 R1
(156) 2011 04 06
(186) 2031 04 06
(732) LTD "Ghvinadze & Partners"
Kote Aphkhazi St. 44, 0105, Tbilisi, Georgia

(111) M 2011 21383 R1
(156) 2011 04 15
(186) 2031 04 15
(732) LTD "Clean House"
Temka, X qu., Shopping center, Tbilisi,
Georgia

(111) M 2011 21551 R1
(156) 2011 06 14
(186) 2031 06 14
(732) Tamron Co., LTD
1385, Hasunuma, Minuma-ku, Saitama-Shi,
Saitama-ken, Japan

(111) M 2011 21374 R1
(156) 2011 04 13
(186) 2031 04 13
(732) Kimberly-Clark Worldwide Inc.
Neenah, WI 54956, USA

(111) M 2011 21740 R1
(156) 2011 09 16
(186) 2031 09 16
(732) London Dairy Limited
Analyst House, P.O. Box 16, 20-26 Peel Road,
Souglas, Isle Man, United Kingdom

(111) M 2011 21818 R1
(156) 2011 09 29
(186) 2031 09 29
(732) Century 21 Real Estate LLC
175 Park Avenue, Madison, New Jersey
07940, USA

(111) M 2011 21761 R1
(156) 2011 09 16
(186) 2031 09 16
(732) Toyota Jidosha Kabushiki Kaisha
(Also Trading as Toyota Motor
Corporation)
1, Toyota-Cho, Toyota-Shi, Aichi-Ken, Japan

(111) M 2011 22016 R1
(156) 2011 11 30
(186) 2031 11 30
(732) Abbott GmbH
Max-Planck-Ring 2, 65205 Wiesbaden,
Germany

COMPLETE TRANSFER OF RIGHTS

(111) M 2020 32343 R
(732) Unilever IP Holdings B.V.
Weena 455, 3013 AL Rotterdam, Netherlands
(770) Unilever N.V.
Weena 455, 3013 AL Rotterdam, Netherlands
(580) 2021 03 23

(111) M 2020 32600 R
(732) Unilever IP Holdings B.V.
Weena 455, 3013 AL Rotterdam, Netherlands
(770) Unilever N.V.
Weena 455, 3013 AL Rotterdam, Netherlands
(580) 2021 03 23

(111) M 2020 32874 R
(732) Unilever IP Holdings B.V.
Weena 455, 3013 AL Rotterdam, Netherlands
(770) Unilever N.V.
Weena 455, 3013 AL Rotterdam, Netherlands
(580) 2021 03 24

(111) M 1999 12854 R
(732) Unilever IP Holdings B.V.
Weena 455, 3013 AL Rotterdam, Netherlands
(770) Unilever N.V.
Weena 455, 3013 AL Rotterdam, Netherlands
(580) 2021 03 29

(111) M 1996 3968 R
(732) Unilever IP Holdings B.V.
Weena 455, 3013 AL Rotterdam, Netherlands
(770) Unilever N.V.
Weena 455, NL-3013 AL Rotterdam,
Netherlands
(580) 2021 03 24

(111) M 1996 3965 R
(732) Unilever IP Holdings B.V.
Weena 455, 3013 AL Rotterdam, Netherlands
(770) Unilever N.V.
Weena 455, NL-3013 AL Rotterdam,
Netherlands
(580) 2021 03 24

(111) M 1999 11779 R
(732) Unilever IP Holdings B.V.
Weena 455, 3013 AL Rotterdam, Netherlands
(770) Unilever N.V.
Weena 455, NL-3013 AL Rotterdam,
Netherlands
(580) 2021 03 23

(111) M 1996 4105 R
(732) Unilever IP Holdings B.V.
Weena 455, 3013 AL Rotterdam, Netherlands
(770) Unilever N.V.
Weena 455, 3013 AL Rotterdam, Netherlands
(580) 2021 03 23

(111) M 1997 6785 R
(732) Unilever IP Holdings B.V.
Weena 455, 3013 AL Rotterdam, Netherlands
(770) Unilever N.V.
Weena 455, NL-3013 AL Rotterdam,
Netherlands
(580) 2021 03 24

(111) M 1997 6792 R
(732) Unilever IP Holdings B.V.
Weena 455, 3013 AL Rotterdam, Netherlands
(770) Unilever N.V.
Weena 455, NL-3013 AL Rotterdam,
Netherlands
(580) 2021 03 23

(111) M 1998 8123 R
(732) Unilever IP Holdings B.V.
Weena 455, 3013 AL Rotterdam, Netherlands
(770) Unilever N.V.
Weena 455, NL-3013 AL Rotterdam,
Netherlands
(580) 2021 03 23

(111) M 1998 8128 R
(732) Unilever IP Holdings B.V.
Weena 455, 3013 AL Rotterdam, Netherlands
(770) Unilever N.V.
Weena 455, NL-3013 AL Rotterdam,
Netherlands
(580) 2021 03 23

(111) M 1998 8133 R
(732) Unilever IP Holdings B.V.
Weena 455, 3013 AL Rotterdam, Netherlands
(770) Unilever N.V.
Weena 455, NL-3013 AL Rotterdam,
Netherlands
(580) 2021 03 24

(111) M 1998 8135 R
(732) Unilever IP Holdings B.V.
Weena 455, 3013 AL Rotterdam, Netherlands
(770) Unilever N.V.

Weena 455, NL-3013 AL Rotterdam,
Netherlands
(580) 2021 03 29

(111) M 1998 8136 R
(732) Unilever IP Holdings B.V.
Weena 455, 3013 AL Rotterdam, Netherlands
(770) Unilever N.V.
Weena 455, NL-3013 AL Rotterdam,
Netherlands
(580) 2021 03 24

(111) M 1998 8137 R
(732) Unilever IP Holdings B.V.
Weena 455, 3013 AL Rotterdam, Netherlands
(770) Unilever N.V.
Weena 455, NL-3013 AL Rotterdam,
Netherlands
(580) 2021 03 23

(111) M 1998 8143 R
(732) Unilever IP Holdings B.V.
Weena 455, 3013 AL Rotterdam, Netherlands
(770) Unilever N.V.
Weena 455, NL-3013 AL Rotterdam,
Netherlands
(580) 2021 03 24

(111) M 1998 8144 R
(732) Unilever IP Holdings B.V.
Weena 455, 3013 AL Rotterdam, Netherlands
(770) Unilever N.V.
Weena 455, NL-3013 AL Rotterdam,
Netherlands
(580) 2021 03 29

(111) M 1998 8147 R
(732) Unilever IP Holdings B.V.
Weena 455, 3013 AL Rotterdam, Netherlands
(770) Unilever N.V.
Weena 455, NL-3013 AL Rotterdam,
Netherlands
(580) 2021 03 23

(111) M 1998 8149 R
(732) Unilever IP Holdings B.V.
Weena 455, 3013 AL Rotterdam, Netherlands
(770) Unilever N.V.
Weena 455, NL-3013 AL Rotterdam,
Netherlands
(580) 2021 03 23

(111) M 1998 8150 R
(732) Unilever IP Holdings B.V.
Weena 455, 3013 AL Rotterdam, Netherlands
(770) Unilever N.V.
Weena 455, NL-3013 AL Rotterdam,
Netherlands
(580) 2021 03 23

(111) M 1998 10410 R
(732) Unilever IP Holdings B.V.
Weena 455, 3013 AL Rotterdam, Netherlands
(770) Unilever N.V.
Weena 455, NL-3013 AL Rotterdam,
Netherlands
(580) 2021 03 23

(111) M 1998 10721 R
(732) Unilever IP Holdings B.V.
Weena 455, 3013 AL Rotterdam, Netherlands
(770) UNILEVER N.V.
Weena 455, NL-3013 AL Rotterdam,
Netherlands
(580) 2021 03 29

(111) M 1999 11422 R
(732) Unilever IP Holdings B.V.
Weena 455, 3013 AL Rotterdam, Netherlands
(770) Unilever N.V.
Weena 455, NL-3013 AL Rotterdam,
Netherlands
(580) 2021 03 23

(111) M 1999 11465 R
(732) Unilever IP Holdings B.V.
Weena 455, 3013 AL Rotterdam, Netherlands
(770) Unilever N.V.
Weena 455, NL-3013 AL Rotterdam,
Netherlands
(580) 2021 03 29

(111) M 1999 12249 R
(732) Unilever IP Holdings B.V.
Weena 455, 3013 AL Rotterdam, Netherlands
(770) Unilever N.V.
Weena 455, NL-3013 AL Rotterdam,
Netherlands
(580) 2021 03 23

(111) M 1999 12250 R
(732) Unilever IP Holdings B.V.
Weena 455, 3013 AL Rotterdam, Netherlands
(770) Unilever N.V.

Weena 455, NL-3013 AL Rotterdam,
Netherlands
(580) 2021 03 23

(111) M 1999 12251 R
(732) Unilever IP Holdings B.V.
Weena 455, 3013 AL Rotterdam, Netherlands
(770) Unilever N.V.
Weena 455, NL-3013 AL Rotterdam,
Netherlands
(580) 2021 03 24

(111) M 1999 12252 R
(732) Unilever IP Holdings B.V.
Weena 455, 3013 AL Rotterdam, Netherlands
(770) Unilever N.V.
Weena 455, NL-3013 AL Rotterdam,
Netherlands
(580) 2021 03 29

(111) M 2000 13389 R
(732) Unilever IP Holdings B.V.
Weena 455, 3013 AL Rotterdam, Netherlands
(770) Unilever N.V.
Weena 455, NL-3013 AL Rotterdam,
Netherlands
(580) 2021 03 23

(111) M 1999 12495 R
(732) Unilever IP Holdings B.V.
Weena 455, 3013 AL Rotterdam, Netherlands
(770) Unilever N.V.
Weena 455, NL-3013 AL Rotterdam,
Netherlands
(580) 2021 03 23

(111) M 1999 12498 R
(732) Unilever IP Holdings B.V.
Weena 455, 3013 AL Rotterdam, Netherlands
(770) Unilever N.V.
Weena 455, 3013 AL Rotterdam, Netherlands
(580) 2021 03 23

(111) M 1999 12499 R
(732) Unilever IP Holdings B.V.
Weena 455, 3013 AL Rotterdam, Netherlands
(770) Unilever N.V.
Weena 455, 3013 AL Rotterdam, Netherlands
(580) 2021 03 23

(111) M 1999 12571 R
(732) Unilever IP Holdings B.V.
Weena 455, 3013 AL Rotterdam, Netherlands
(770) Unilever N.V.
Weena 455, NL-3013 AL Rotterdam,
Netherlands
(580) 2021 03 23

(111) M 1999 12733 R
(732) Unilever IP Holdings B.V.
Weena 455, 3013 AL Rotterdam, Netherlands
(770) Unilever N.V.
Weena 455, NL-3013 AL Rotterdam,
Netherlands
(580) 2021 03 24

(111) M 1999 12734 R
(732) Unilever IP Holdings B.V.
Weena 455, 3013 AL Rotterdam, Netherlands
(770) Unilever N.V.
Weena 455, NL-3013 AL Rotterdam,
Netherlands
(580) 2021 03 24

(111) M 1999 12870 R
(732) Unilever IP Holdings B.V.
Weena 455, 3013 AL Rotterdam, Netherlands
(770) Unilever N.V.
Weena 455, 3013 AL Rotterdam, Netherlands
(580) 2021 03 24

(111) M 1999 12871 R
(732) Unilever IP Holdings B.V.
Weena 455, 3013 AL Rotterdam, Netherlands
(770) Unilever N.V.
Weena 455, NL-3013 AL Rotterdam,
Netherlands
(580) 2021 03 23

(111) M 2002 14509 R
(732) Unilever IP Holdings B.V.
Weena 455, 3013 AL Rotterdam, Netherlands
(770) Unilever N.V.
Weena 455, NL-3013 AL Rotterdam,
Netherlands
(580) 2021 03 24

(111) M 2003 15213 R
(732) PHARMA MAR S.A., a Spanish Corporation
Avda. De los Reyes, Pol. Ind. La Mina,
Colmenar Viejo, 28770 Madrid, Spain

(770) Johnson & Johnson
 One Johnson & Johnson Plaza, New
 Brunswick, New Jersey 08933, USA
 (580) 2021 03 29

(111) M 1995 870 R
 (732) Unilever IP Holdings B.V.
 Weena 455, 3013 AL Rotterdam, Netherlands
 (770) Unilever N.V.
 Weena 455, 3013 AL Rotterdam, Netherlands
 (580) 2021 03 23

(111) M 2003 15318 R
 (732) Pharma Mar S.A. a Spanish Corporation
 Avda. De los Reyes, Pol. Ind. La Mina,
 Colmenar Viejo, 28770 Madrid, Spain
 (770) Johnson & Johnson
 One Johnson & Johnson Plaza, New
 Brunswick,
 New Jersey 08933, USA
 (580) 2021 03 29

(111) M 2005 15939 R
 (732) Unilever IP Holdings B.V.
 Weena 455, 3013 AL Rotterdam, Netherlands
 (770) Unilever N.V.
 Weena 455, NL-3013 AL Rotterdam,
 Netherlands
 (580) 2021 03 24

(111) M 2006 16611 R
 (732) Accessorize Tm Ltd
 A Company Incorporated in England and
 Wales (Company Number 09942425)
 Yellow Building, 1 Nicholas Road, London,
 England, W11 4AN, United Kingdom
 (770) Accessorize Limited
 1 Nicholas Road, London, W11 4 AN, United
 Kingdom
 (580) 2021 03 29

(111) M 2007 17717 R
 (732) Unilever IP Holdings B.V.
 Weena 455, 3013 AL Rotterdam, Netherlands
 (770) Unilever N.V.
 Weena 455, 3013 AL Rotterdam, Netherlands
 (580) 2021 03 23

(111) M 2007 17818 R
 (732) Unilever IP Holdings B.V.
 Weena 455, 3013 AL Rotterdam, Netherlands

(770) Unilever N.V.
 Weena 455, 3013 AL Rotterdam, Netherlands
 (580) 2021 03 29

(111) M 1996 3976 R
 (732) Unilever IP Holdings B.V.
 Weena 455, 3013 AL Rotterdam, Netherlands
 (770) Unilever N.V.
 Weena 455, NL-3013 AL Rotterdam,
 Netherlands
 (580) 2021 03 23

(111) M 1996 3977 R
 (732) Unilever IP Holdings B.V.
 Weena 455, 3013 AL Rotterdam, Netherlands
 (770) Unilever N.V.
 Weena 455, NL-3013 AL Rotterdam,
 Netherlands
 (580) 2021 03 23

(111) M 1998 8659 R
 (732) Unilever IP Holdings B.V.
 Weena 455, 3013 AL Rotterdam, Netherlands
 (770) Unilever N.V.
 Weena 455, NL-3013 AL Rotterdam,
 Netherlands
 (580) 2021 03 23

(111) M 1996 2432 R
 (732) Unilever IP Holdings B.V.
 Weena 455, 3013 AL Rotterdam, Netherlands
 (770) Unilever N.V.
 Weena 455, NL-3013 AL Rotterdam,
 Netherlands
 (580) 2021 03 23

(111) M 1996 2285 R
 (732) Unilever IP Holdings B.V.
 Weena 455, 3013 AL Rotterdam, Netherlands
 (770) Unilever N.V.
 Weena 455, NL-3013 AL Rotterdam,
 Netherlands
 (580) 2021 03 29

(111) M 1996 4192 R
 (732) Unilever IP Holdings B.V.
 Weena 455, 3013 AL Rotterdam, Netherlands
 (770) Unilever N.V.
 Weena 455, NL-3013 AL Rotterdam,
 Netherlands
 (580) 2021 03 29

(111) M 1996 2198 R
(732) Unilever IP Holdings B.V.
Weena 455, 3013 AL Rotterdam, Netherlands
(770) Unilever N.V.
Weena 455, NL-3013 AL Rotterdam,
Netherlands
(580) 2021 03 23

(111) M 1996 2221 R
(732) Unilever IP Holdings B.V.
Weena 455, 3013 AL Rotterdam, Netherlands
(770) Unilever N.V.
Weena 455, NL-3013 AL Rotterdam,
Netherlands
(580) 2021 03 29

(111) M 2008 18907 R
(732) Unilever IP Holdings B.V.
Weena 455, 3013 AL Rotterdam, Netherlands
(770) Unilever N.V.
Weena 455, NL-3013 AL Rotterdam,
Netherlands
(580) 2021 03 23

(111) M 2009 19381 R
(732) Unilever IP Holdings B.V.
Weena 455, 3013 AL Rotterdam, Netherlands
(770) Unilever N.V.
Weena 455, 3013 AL Rotterdam, Netherlands
(580) 2021 03 24

(111) M 2009 19926 R
(732) Unilever IP Holdings B.V.
Weena 455, 3013 AL Rotterdam, Netherlands
(770) Unilever N.V.
Weena 455, 3013 AL Rotterdam, Netherlands
(580) 2021 03 23

(111) M 2009 19925 R
(732) Unilever IP Holdings B.V.
Weena 455, 3013 AL Rotterdam, Netherlands
(770) Unilever N.V.
Weena 455, 3013 AL Rotterdam, Netherlands
(580) 2021 03 23

(111) M 2009 19927 R
(732) Unilever IP Holdings B.V.
Weena 455, 3013 AL Rotterdam, Netherlands
(770) Unilever N.V.
Weena 455, 3013 AL Rotterdam, Netherlands
(580) 2021 03 24

(111) M 1996 2226 R
(732) Unilever IP Holdings B.V.
Weena 455, 3013 AL Rotterdam, Netherlands
(770) Unilever N.V.
Weena 455, NL-3013 AL Rotterdam,
Netherlands
(580) 2021 03 29

(111) M 1998 8729 R
(732) Unilever IP Holdings B.V.
Weena 455, 3013 AL Rotterdam, Netherlands
(770) Unilever N.V.
Weena 455, NL-3013 AL Rotterdam,
Netherlands
(580) 2021 03 24

(111) M 1998 8712 R
(732) Unilever IP Holdings B.V.
Weena 455, 3013 AL Rotterdam, Netherlands
(770) Unilever N.V.
Weena 455, NL-3013 AL Rotterdam,
Netherlands
(580) 2021 03 24

(111) M 1998 8730 R
(732) Unilever IP Holdings B.V.
Weena 455, 3013 AL Rotterdam, Netherlands
(770) Unilever N.V.
Weena 455, NL-3013 AL Rotterdam,
Netherlands
(580) 2021 03 23

(111) M 1998 8718 R
(732) Unilever IP Holdings B.V.
Weena 455, 3013 AL Rotterdam, Netherlands
(770) Unilever N.V.
Weena 455, NL-3013 AL Rotterdam,
Netherlands
(580) 2021 03 23

(111) M 1996 2230 R
(732) Unilever IP Holdings B.V.
Weena 455, 3013 AL Rotterdam, Netherlands
(770) Unilever N.V.
Weena 455, NL-3013 AL Rotterdam,
Netherlands
(580) 2021 03 23

(111) M 1996 2234 R
(732) Unilever IP Holdings B.V.
Weena 455, 3013 AL Rotterdam, Netherlands
(770) Unilever N.V.

Weena 455, NL-3013 AL Rotterdam,
Netherlands
(580) 2021 03 23

(111) M 1996 3991 R
(732) Unilever IP Holdings B.V.
Weena 455, 3013 AL Rotterdam, Netherlands
(770) Unilever N.V.
Weena 455, NL-3013 AL Rotterdam,
Netherlands
(580) 2021 03 24

(111) M 1996 3993 R
(732) Unilever IP Holdings B.V.
Weena 455, 3013 AL Rotterdam, Netherlands
(770) Unilever N.V.
Weena 455, NL-3013 AL Rotterdam,
Netherlands
(580) 2021 03 29

(111) M 1999 12534 R
(732) Unilever IP Holdings B.V.
Weena 455, 3013 AL Rotterdam, Netherlands
(770) Unilever N.V.
Weena 455, NL-3013 AL Rotterdam,
Netherlands
(580) 2021 03 29

(111) M 2011 21372 R
(732) Unilever IP Holdings B.V.
Weena 455, 3013 AL Rotterdam, Netherlands
(770) Unilever N.V.
Weena 455, 3013 AL Rotterdam, Netherlands
(580) 2021 03 29

(111) M 2012 22314 R
(732) Unilever IP Holdings B.V.
Weena 455, 3013 AL Rotterdam, Netherlands
(770) Unilever N.V.
Weena 455, 3013 AL Rotterdam, Netherlands
(580) 2021 03 23

(111) M 2013 23304 R
(732) Unilever IP Holdings B.V.
Weena 455, 3013 AL Rotterdam, Netherlands
(770) Unilever N.V.
Weena 455, 3013 AL Rotterdam, Netherlands
(580) 2021 03 24

(111) M 2013 24067 R
(732) Unilever IP Holdings B.V.
Weena 455, 3013 AL Rotterdam, Netherlands

(770) Unilever N.V.
Weena 455, 3013 AL Rotterdam, Netherlands
(580) 2021 03 23

(111) M 2013 23453 R
(732) Unilever IP Holdings B.V.
Weena 455, 3013 AL Rotterdam, Netherlands
(770) Unilever N.V.
Weena 455, 3013 AL Rotterdam, Netherlands
(580) 2021 03 23

(111) M 2013 23455 R
(732) Unilever IP Holdings B.V.
Weena 455, 3013 AL Rotterdam, Netherlands
(770) Unilever N.V.
Weena 455, 3013 AL Rotterdam, Netherlands
(580) 2021 03 24

(111) M 2013 23456 R
(732) Unilever IP Holdings B.V.
Weena 455, 3013 AL Rotterdam, Netherlands
(770) Unilever N.V.
Weena 455, 3013 AL Rotterdam, Netherlands
(580) 2021 03 23

(111) M 2013 23464 R
(732) Unilever IP Holdings B.V.
Weena 455, 3013 AL Rotterdam, Netherlands
(770) Unilever N.V.
Weena 455, 3013 AL Rotterdam, Netherlands
(580) 2021 03 23

(111) M 2013 23465 R
(732) Unilever IP Holdings B.V.
Weena 455, 3013 AL Rotterdam, Netherlands
(770) Unilever N.V.
Weena 455, 3013 AL Rotterdam, Netherlands
(580) 2021 03 24

(111) M 2013 23930 R
(732) Unilever IP Holdings B.V.
Weena 455, 3013 AL Rotterdam, Netherlands
(770) Unilever N.V.
Weena 455, 3013 AL Rotterdam, Netherlands
(580) 2021 03 24

(111) M 1997 5089 R
(732) Unilever IP Holdings B.V.
Weena 455, 3013 AL Rotterdam, Netherlands
(770) Unilever N.V.
Weena 455, Rotterdam, 3013 AL, Netherlands
(580) 2021 03 29

(111) M 1997 5090 R
(732) Unilever IP Holdings B.V.
Weena 455, 3013 AL Rotterdam, Netherlands
(770) UNILEVER N.V.
Weena 455, Rotterdam, 3013 AL, Netherlands
(580) 2021 03 24

(111) M 1998 8739 R
(732) Unilever IP Holdings B.V.
Weena 455, 3013 AL Rotterdam, Netherlands
(770) Unilever N.V.
Weena 455, Rotterdam, 3013 AL, Netherlands
(580) 2021 03 24

(111) M 1997 5091 R
(732) Unilever IP Holdings B.V.
Weena 455, 3013 AL Rotterdam, Netherlands
(770) Unilever N.V.
Weena 455, Rotterdam, 3013 AL, Netherlands
(580) 2021 03 23

(111) M 2014 24480 R
(732) Unilever IP Holdings B.V.
Weena 455, 3013 AL Rotterdam, Netherlands
(770) Unilever N.V.
Weena 455, 3013 AL Rotterdam, Netherlands
(580) 2021 03 24

(111) M 1998 8677 R
(732) Unilever IP Holdings B.V.
Weena 455, 3013 AL Rotterdam, Netherlands
(770) Unilever N.V.
Weena 455, NL-3013 AL Rotterdam,
Netherlands
(580) 2021 03 29

(111) M 1997 5816 R
(732) Unilever IP Holdings B.V.
Weena 455, 3013 AL Rotterdam, Netherlands
(770) Unilever N.V.
Weena 455, NL-3013 AL Rotterdam,
Netherlands
(580) 2021 03 24

(111) M 1998 8643 R
(732) Unilever IP Holdings B.V.
Weena 455, 3013 AL Rotterdam, Netherlands
(770) Unilever N.V.
Weena 455, NL-3013 AL Rotterdam,
Netherlands
(580) 2021 03 23

(111) M 2014 25351 R
(732) Unilever IP Holdings B.V.
Weena 455, 3013 AL Rotterdam, Netherlands
(770) Unilever N.V.
Weena 455, 3013 AL Rotterdam, Netherlands
(580) 2021 03 24

(111) M 2014 25352 R
(732) Unilever IP Holdings B.V.
Weena 455, 3013 AL Rotterdam, Netherlands
(770) Unilever N.V.
Weena 455, 3013 AL Rotterdam, Netherlands
(580) 2021 03 23

(111) M 2016 26982 R
(732) Unilever IP Holdings B.V.
Weena 455, 3013 AL Rotterdam, Netherlands
(770) Unilever N.V.
Weena 455, 3013 AL Rotterdam, The
Netherlands roterdami NL, Netherlands
(580) 2021 03 23

(111) M 1998 9514 R
(732) Unilever IP Holdings B.V.
Weena 455, 3013 AL Rotterdam, Netherlands
(770) Unilever N.V.
Weena 455, 3013 AL Rotterdam, Netherlands
(580) 2021 03 29

(111) M 1998 9361 R
(732) Unilever IP Holdings B.V.
Weena 455, 3013 AL Rotterdam, Netherlands
(770) Unilever N.V.
Weena 455, 3013 AL Rotterdam, Netherlands
(580) 2021 03 29

(111) M 2015 26019 R
(732) LTD "Berika"
Il. Chavchavadze Av., I Lane 6, app.
Vake-Saburtalo district, Tbilisi, Georgia
(770) LTD "Global Beer Georgia"
Vill. Tsilkani, 3319, Mtskheta, Georgia
(580) 2021 03 31

(111) M 2016 27725 R
(732) Unilever IP Holdings B.V.
Weena 455, 3013 AL Rotterdam, Netherlands
(770) Unilever N.V.
Weena 455, 3013 AL Rotterdam, The
Netherlands roterdami NL, Netherlands
(580) 2021 03 23

(111) M 2015 26290 R
(732) LTD "Berika"
Il. Chavchavadze Av., I Lane 6, app.
Vake-Saburtalo district, Tbilisi, Georgia
(770) LTD "Global Beer Georgia"
Vill. Tsilkani, 3319, Mtskheta, Georgia
(580) 2021 03 31

(770) Unilever N.V.
Weena 455, NL-3013 AL Rotterdam,
Netherlands
(580) 2021 03 23

(111) M 2015 26291 R
(732) LTD "Berika"
Il. Chavchavadze Av., I Lane 6, app.
Vake-Saburtalo district, Tbilisi, Georgia
(770) LTD "Global Beer Georgia"
Vill. Tsilkani, 3319, Mtskheta, Georgia
(580) 2021 03 31

(111) M 1999 12562 R
(732) Unilever IP Holdings B.V.
Weena 455, 3013 AL Rotterdam, Netherlands
(770) Unilever N.V.
Weena 455, NL-3013 AL Rotterdam,
Netherlands
(580) 2021 03 24

(111) M 1999 12033 R
(732) Unilever IP Holdings B.V.
Weena 455, 3013 AL Rotterdam, Netherlands
(770) Unilever N.V.
Weena 455, NL-3013 AL Rotterdam,
Netherlands
(580) 2021 03 23

(111) M 2018 29305 R
(732) Unilever IP Holdings B.V.
Weena 455, 3013 AL Rotterdam, Netherlands
(770) Unilever N.V.
Weena 455, 3013 AL Rotterdam, The
Netherlands
(580) 2021 03 23

(111) M 2018 29853 R
(732) Unilever IP Holdings B.V.
Weena 455, 3013 AL Rotterdam, Netherlands
(770) Unilever N.V.
Weena 455, 3013 AL Rotterdam, The
Netherlands
(580) 2021 03 24

(111) M 1997 5394 R
(732) Unilever IP Holdings B.V.
Weena 455, 3013 AL Rotterdam, Netherlands

CANCELLATION OF TRADEMARKS REGISTRATION

(111) M 2000 13504 R
(151) 2000 09 28
(732) Byk Co., LTD
1104-1, Daelim-dong, Youngdeungpo-ku,
Seoul, Republic of Korea
(141) 2021 04 12

(111) M 2000 13505 R
(151) 2000 09 28
(732) Sun Microsystems Inc.
4150 Network Circle, Santa Clara, California
95054, USA
(141) 2021 04 12

(111) M 2010 20789 R
(151) 2010 10 01
(732) Levani Gogiashvili
Leselidze St. 6, 0181, Tskneti, Georgia
(141) 2021 04 16

(111) M 2010 20791 R
(151) 2010 10 01
(732) Dorel France S.A.
Zi, 9, boulevard du Poitou, F-49309 Cholet,
France
(141) 2021 04 16

(111) M 2010 20768 R
(151) 2010 09 24
(732) Rotapharm Limited
23 The Kilns Thaxted Road Saffron Walden
Essex CB10 2UQ, United Kingdom
(141) 2021 04 12

(111) M 2010 20792 R
(151) 2010 10 01
(732) LTD "Globalpharmi"
Almasiani St. 13a/Berbuti St. 8, 0171, Tbilisi,
Georgia
(141) 2021 04 16

(111) M 2010 20793 R
(151) 2010 10 01
(732) Wolf Oil Corporation Naamloz Vennootschap
Georges Gilliotstraat 52, 2620 Hemiksem,
Belgium
(141) 2021 04 16

(111) M 2010 20799 R
(151) 2010 10 06
(732) Davit Samushia
Ir. Evdoshvili St. 2/10, app. 19, 0154, Tbilisi,
Georgia
(141) 2021 04 19

(111) M 2010 20769 R
(151) 2010 09 24
(732) PepsiCo Inc.
a North Carolina Corporation
700 Anderson Hill Road, Purchase,
New York 10577, USA
(141) 2021 04 12

(111) M 2010 20794 R
(151) 2010 10 01
(732) Wm. Wrigley Jr. Company
410 North Michigan Avenue, Chicago, Illinois
60611, USA
(141) 2021 04 16

(111) M 2010 20770 R
(151) 2010 09 24
(732) Gela Mikadze
Lalioni Lane 5m 0101, Tbilisi, Georgia
(141) 2021 04 12

(111) M 2010 20795 R
(151) 2010 10 01
(732) JSC "G P C"
Marjanishvili St. 26, 0164, Tbilisi, Georgia
(141) 2021 04 16

(111) M 2010 20796 R
(151) 2010 10 01
(732) JSC "G P C"
Marjanishvili St. 26, 0164, Tbilisi, Georgia
(141) 2021 04 16

(111) M 2010 20771 R
(151) 2010 09 24
(732) LTD "Triada Group"
Lilo 51, 1054, Tbilisi, Georgia
(141) 2021 04 12

(111) M 2010 20762 R
 (151) 2010 09 22
 (732) LTD "J.B. Audit"
 Pasteri St. 2, 0102, Tbilisi, Georgia
 (141) 2021 04 06

(111) M 2010 20772 R
 (151) 2010 09 24
 (732) Biogen MA Inc.,
 a Massachusetts Corporation
 250 Binney Street, Cambridge,
 Massachusetts 02142, USA
 (141) 2021 04 12

(111) M 2010 20787 R
 (151) 2010 09 27
 (732) LTD "Sasakhelo"
 Varketili 3, III-A mcr., corp. 341, 0163,
 Tbilisi, Georgia
 (141) 2021 04 12

(111) M 2010 20774 R
 (151) 2010 09 24
 (732) Nemiroff Intellectual Property Establishment
 Haus Rechsteiner, P.O. Box 634/Städtle 31,
 LI-9490 Vaduz, Liechtenstein
 (141) 2021 04 12

(111) M 2010 20775 R
 (151) 2010 09 24
 (732) Nemiroff Intellectual Property Establishment
 Haus Rechsteiner, P.O. Box 634/Städtle 31,
 LI-9490 Vaduz, Liechtenstein
 (141) 2021 04 12

(111) M 2010 20776 R
 (151) 2010 09 24
 (732) Nemiroff Intellectual Property Establishment
 Haus Rechsteiner, P.O. Box 634/Städtle 31,
 LI-9490 Vaduz, Liechtenstein
 (141) 2021 04 12

(111) M 2010 20759 R
 (151) 2010 09 17
 (732) Eisai R&D Management Co., LTD
 No.6-10, Koishikawa 4-chome, Bunkyo-ku,
 Tokyo, Japan
 (141) 2021 04 05

(111) M 2010 20782 R
 (151) 2010 09 24
 (732) Precision Franchising LLC
 (a Limited Liability Corporation of Virginia)
 748 Miller Drive, S.E., Leesburg, Virginia
 20175, USA
 (141) 2021 04 12

(111) M 2010 20764 R
 (151) 2010 09 22
 (732) Akita Inc.
 a Delaware Corporation
 2711 Centerville Road, Suite 400, Wilmington,
 Delaware 19808, USA
 (141) 2021 04 06

(111) M 2010 20765 R
 (151) 2010 09 22
 (732) Campero International Corp.
 P.O. Box 146, Road Town, Tortola, British
 Virgin Islands, Virgin Islands (British)
 (141) 2021 04 06

(111) M 2010 20785 R
 (151) 2010 09 24
 (732) TDK Kabushiki Kaisha (Tdk Corporation)
 3-9-1, Shibaura, Minato-ku, Tokyo, Japan
 (141) 2021 04 12

(111) M 2010 20766 R
 (151) 2010 09 22
 (732) LTD "Global Cell"
 Tsinsmdzghvrishvili St. 90a, 0102, Tbilisi,
 Georgia
 (141) 2021 04 06

(111) M 2010 20786 R
 (151) 2010 09 24
 (732) Sopharma AD
 16 Iliensko Shaussee Str., 1220 Sofia, Bulgaria
 (141) 2021 04 12

(111) M 2010 20797 R
 (151) 2010 10 04
 (732) Harrington Development Inc.
 Elvira Mendez Street, Vallarino bldg., 3rd
 Floor, Panama, Republic of Panama
 (141) 2021 04 15

(111) M 2010 20801 R
(151) 2010 10 06
(732) JSC "Smart Retail"
 Il. Chavchavadze av. 74b, 0162, Tbilisi,
 Georgia
(141) 2021 04 19

(111) M 2010 20802 R
(151) 2010 10 06
732) JSC "Smart Retail"
 Il. Chavchavadze av. 74b, 0162, Tbilisi,
 Georgia
(141) 2021 04 19

(111) M 2000 13501 R
(151) 2000 09 28
(732) Badische Tabakmanufaktur
 Roth-Haendle GmbH
 Max-Born-Strasse 4, 22761 Hamburg,
 Germany
(141) 2021 04 12

CLASSIFICATION INDEXES

INVENTIONS

CONCORDANCE TABLE OF INTERNATIONAL CLASSIFICATION INDEX AND PUBLICATION NUMBERS

INTERNATIONAL CLASSIFICATION INDEXES (51)	NUMBER OF PUBLISHED APPLICATION (10)
A 47 L 1/00; E 06 B 7/02; F 24 F 13/00	AP 2021 15271 A
B 65 B 1/06	AP 2021 15174 A
E 04 B 5/32	AP 2021 15054 A
F 03 G 7/08	AP 2021 15188 A

CONCORDANCE TABLE OF PUBLICATION NUMBERS AND INTERNATIONAL CLASSIFICATION INDEX

NUMBER OF PUBLISHED APPLICATION (10)	INTERNATIONAL CLASSIFICATION INDEXES (51)
AP 2021 15054 A	E 04 B 5/32
AP 2021 15174 A	B 65 B 1/06
AP 2021 15188 A	F 03 G 7/08
AP 2021 15271 A	A 47 L 1/00; E 06 B 7/02; F 24 F 13/00

CONCORDANCE TABLE OF INTERNATIONAL CLASSIFICATION INDEX, PATENT NUMBERS AND PUBLICATION NUMBERS

INTERNATIONAL CLASSIFICATION INDEX (51)	NUMBER OF PATENT (11)	NUMBER OF PUBLISHED APPLICATION (10)
A 61 K 31/404; A 61 K 31/4045; A 61 K 31/405; A 61 K 31/407; A 61 K 31/4184; A 61 K 31/4188; A 61 K 31/423; A 61 K 31/424; A 61 P 31/00; A 61 P 25/00; A 61 P 35/00; A 61 P 37/00; A 61 P 43/00; A 61 K 31/4355; A 61 K 31/437	P 2021 7247 B	AP 2020 14317 A
A 61 K 31/4196; A 61 P 35/02; C 07 D 405/12; C 07 D 403/12; C 07 D 249/12; C 07 D 413/12; C 07 D 401/12	P 2021 7248 B	AP 2020 15096 A
A 61 K 31/519; A 61 K 9/127; A 61 P 35/00	P 2021 7244 B	AP 2020 15047 A
A 61 K 31/565; A 61 K 9/20; A 61 K 9/00	P 2021 7243 B	AP 2020 14676 A
A 61 K 9/08; A 61 K 47/26; A 61 K 47/10; A 61 K 47/14; A 61 K 9/00; A 61 K 39/395; A 61 K 39/00	P 2021 7249 B	AP 2020 14966 A
C 07 C 311/00; C 07 C 317/14; C 07 C 317/26; C 07 D 239/26; C 07 D 209/04	P 2021 7246 B	AP 2020 14907 A
C 09 D 163/10; C 09 D 167/10	P 2021 7250 B	AP 2020 14588 A
C 12 N 15/11; C 12 N 15/63; C 07 K 19/00; C 12 N 5/10	P 2021 7251 B	AP 2020 13674 A
C 22 C 38/50	P 2021 7245 B	AP 2020 14510 A

**CONCORDANCE TABLE OF PATENT NUMBERS,
PUBLICATION NUMBERS AND INTERNATIONAL CLASSIFICATION INDEX**

NUMBER OF PATENT (11)	NUMBER OF PUBLISHED APPLICATION (10)	INTERNATIONAL CLASSIFICATION INDEX (51)
P 2021 7243 B	AP 2020 14676 A	A 61 K 31/565; A 61 K 9/20; A 61 K 9/00
P 2021 7244 B	AP 2020 15047 A	A 61 K 31/519; A 61 K 9/127; A 61 P 35/00
P 2021 7245 B	AP 2020 14510 A	C 22 C 38/50
P 2021 7246 B	AP 2020 14907 A	C 07 C 311/00; C 07 C 317/14; C 07 C 317/26; C 07 D 239/26; C 07 D 209/04
P 2021 7247 B	AP 2020 14317 A	A 61 K 31/404; A 61 K 31/4045; A 61 K 31/405; A 61 K 31/407; A 61 K 31/4184; A 61 K 31/4188; A 61 K 31/423; A 61 K 31/424; A 61 P 31/00; A 61 P 25/00; A 61 P 35/00; A 61 P 37/00; A 61 P 43/00; A 61 K 31/4355; A 61 K 31/437
P 2021 7248 B	AP 2020 15096 A	A 61 K 31/4196; A 61 P 35/02; C 07 D 405/12; C 07 D 403/12; C 07 D 249/12; C 07 D 413/12; C 07 D 401/12
P 2021 7249 B	AP 2020 14966 A	A 61 K 9/08; A 61 K 47/26; A 61 K 47/10; A 61 K 47/14; A 61 K 9/00; A 61 K 39/395; A 61 K 39/00
P 2021 7250 B	AP 2020 14588 A	C 09 D 167/10; C 09 D 163/10
P 2021 7251 B	AP 2020 13674 A	C 12 N 15/11; C 12 N 15/63; C 07 K 19/00; C 12 N 5/10

**CONCORDANCE TABLE OF APPLICATION NUMBERS, PUBLICATION NUMBERS
AND PATENTS**

NUMBER OF APPLICATION (21)	NUMBER OF PUBLISHED APPLICATION (10)	NUMBER OF PATENT (11)
AP 2013 13674	AP 2020 13674 A	P 2021 7251 B
AP 2015 14317	AP 2020 14317 A	P 2021 7247 B
AP 2017 14510	AP 2020 14510 A	P 2021 7245 B
AP 2017 14588	AP 2020 14588 A	P 2021 7250 B
AP 2016 14676	AP 2020 14676 A	P 2021 7243 B
AP 2017 14907	AP 2020 14907 A	P 2021 7246 B
AP 2017 14966	AP 2020 14966 A	P 2021 7249 B
AP 2017 15047	AP 2020 15047 A	P 2021 7244 B
AP 2017 15096	AP 2020 15096 A	P 2021 7248 B

UTILITY MODELS

CONCORDANCE TABLE OF INTERNATIONAL CLASSIFICATION INDEX AND PUBLICATION NUMBERS

INTERNATIONAL CLASSIFICATION INDEXES (51)	NUMBER OF PUBLISHED APPLICATION (10)
A 21 C 9/06	AU 2021 15553 U

CONCORDANCE TABLE OF PUBLICATION NUMBERS AND INTERNATIONAL CLASSIFICATION INDEX

NUMBER OF PUBLISHED APPLICATION (10)	INTERNATIONAL CLASSIFICATION INDEXES (51)
AU 2021 15553 U	A 21 C 9/06

CONCORDANCE TABLE OF INTERNATIONAL CLASSIFICATION INDEX, PATENT NUMBERS AND PUBLICATION NUMBERS

INTERNATIONAL CLASSIFICATION INDEX (51)	NUMBER OF PATENT (11)	NUMBER OF PUBLISHED APPLICATION (10)
A 61 F 13/15	U 2021 2080 Y	AU 2020 15270 U
C 10 L 1/19; C 11 C 39/10	U 2021 2079 Y	AU 2020 14497 U
C 25 B 11/04	U 2021 2081 Y	AU 2020 15191 U
F 26 B 3/28	U 2021 2078 Y	AU 2020 15267 U

CONCORDANCE TABLE OF PATENT NUMBERS, PUBLICATION NUMBERS AND INTERNATIONAL CLASSIFICATION INDEX

NUMBER OF PATENT (11)	NUMBER OF PUBLISHED APPLICATION (10)	INTERNATIONAL CLASSIFICATION INDEX (51)
U 2021 2078 Y	AU 2020 15267 U	F 26 B 3/28
U 2021 2079 Y	AU 2020 14497 U	C 10 L 1/19; C 11 C 39/10
U 2021 2080 Y	AU 2020 15270 U	A 61 F 13/15
U 2021 2081 Y	AU 2020 15191 U	C 25 B 11/04

CONCORDANCE TABLE OF APPLICATION NUMBERS, PUBLICATION NUMBERS AND PATENTS

NUMBER OF APPLICATION (21)	NUMBER OF PUBLISHED APPLICATION (10)	NUMBER OF PATENT (11)
AU 2017 14497	AU 2020 14497 U	U 2021 2079 Y
AU 2019 15191	AU 2020 15191 U	U 2021 2081 Y
AU 2020 15267	AU 2020 15267 U	U 2021 2078 Y
AU 2020 15270	AU 2020 15270 U	U 2021 2080 Y

TRADEMARKS

CONCORDANCE TABLE OF REGISTRATION NUMBERS, APPLICATION NUMBERS, PUBLICATION NUMBERS AND BULLETIN NUMBERS

NUMBER OF REGISTRATION (111)	NUMBER OF APPLICATIONS (210)	NUMBER OF PUBLISHED APPLICATIONS (260)	NUMBER OF BULLETIN
M 2021 33896 R	AM 112296	–	7(563)2021
M 2021 33897 R	AM 112308	–	7(563)2021
M 2021 33898 R	AM 111867	–	7(563)2021
M 2021 33899 R	AM 111868	–	7(563)2021
M 2021 33900 R	AM 112183	–	7(563)2021
M 2021 33901 R	AM 111866	–	7(563)2021
M 2021 33902 R	AM 112405	–	7(563)2021
M 2021 33903 R	AM 112156	–	7(563)2021
M 2021 33904 R	AM 112157	–	7(563)2021
M 2021 33905 R	AM 112384	–	7(563)2021
M 2021 33906 R	AM 112494	–	7(563)2021
M 2021 33907 R	AM 112474	–	7(563)2021
M 2021 33908 R	AM 112078	–	7(563)2021
M 2021 33909 R	AM 112181	–	7(563)2021
M 2021 33910 R	AM 112388	–	7(563)2021
M 2021 33911 R	AM 112591	–	7(563)2021
M 2021 33912 R	AM 112502	–	7(563)2021
M 2021 33913 R	AM 112303	–	7(563)2021
M 2021 33914 R	AM 106675	AM 2020 106675 A	22(554)2020
M 2021 33915 R	AM 106943	AM 2020 106943 A	19(551)2020
M 2021 33916 R	AM 106944	AM 2020 106944 A	19(551)2020
M 2021 33917 R	AM 107312	AM 2020 107312 A	19(551)2020
M 2021 33918 R	AM 107469	AM 2020 107469 A	19(551)2020
M 2021 33919 R	AM 107568	AM 2020 107568 A	19(551)2020
M 2021 33920 R	AM 107569	AM 2020 107569 A	20(552)2020
M 2021 33921 R	AM 107570	AM 2020 107570 A	20(552)2020
M 2021 33922 R	AM 107571	AM 2020 107571 A	20(552)2020
M 2021 33923 R	AM 107572	AM 2020 107572 A	20(552)2020
M 2021 33924 R	AM 107574	AM 2020 107574 A	20(552)2020
M 2021 33925 R	AM 107660	AM 2020 107660 A	21(553)2020
M 2021 33926 R	AM 107804	AM 2020 107804 A	22(554)2020
M 2021 33927 R	AM 107805	AM 2020 107805 A	22(554)2020
M 2021 33928 R	AM 107930	AM 2020 107930 A	21(553)2020
M 2021 33929 R	AM 108067	AM 2020 108067 A	23(555)2020
M 2021 33930 R	AM 108072	AM 2020 108072 A	23(555)2020
M 2021 33931 R	AM 108130	AM 2020 108130 A	24(556)2020
M 2021 33932 R	AM 108225	AM 2020 108225 A	22(554)2020
M 2021 33933 R	AM 108299	AM 2020 108299 A	24(556)2020
M 2021 33934 R	AM 108384	AM 2020 108384 A	24(556)2020
M 2021 33935 R	AM 108385	AM 2020 108385 A	24(556)2020
M 2021 33936 R	AM 108386	AM 2020 108386 A	24(556)2020
M 2021 33937 R	AM 108387	AM 2020 108387 A	24(556)2020
M 2021 33938 R	AM 108388	AM 2020 108388 A	24(556)2020
M 2021 33939 R	AM 108612	AM 2020 108612 A	24(556)2020
M 2021 33940 R	AM 108613	AM 2020 108613 A	24(556)2020
M 2021 33941 R	AM 104567	AM 2020 104567 A	20(552)2020
M 2021 33942 R	AM 112586	–	7(563)2021

CONCORDANCE TABLE OF PUBLICATION NUMBERS
AND APPLICATION NUMBERS

NUMBER OF PUBLISHED APPLICATION (260)	NUMBER OF APPLICATION (210)	1	2
1	2		
AM 2021 109109 A	AM 109109	AM 2021 109770 A	AM 109770
AM 2021 109511 A	AM 109511	AM 2021 109771 A	AM 109771
AM 2021 109587 A	AM 109587	AM 2021 109775 A	AM 109775
AM 2021 109599 A	AM 109599	AM 2021 109776 A	AM 109776
AM 2021 109600 A	AM 109600	AM 2021 109833 A	AM 109833
AM 2021 109608 A	AM 109608	AM 2021 109838 A	AM 109838
AM 2021 109611 A	AM 109611	AM 2021 109839 A	AM 109839
AM 2021 109657 A	AM 109657	AM 2021 109848 A	AM 109848
AM 2021 109662 A	AM 109662	AM 2021 109916 A	AM 109916
AM 2021 109663 A	AM 109663	AM 2021 109917 A	AM 109917
AM 2021 109665 A	AM 109665	AM 2021 109918 A	AM 109918
AM 2021 109669 A	AM 109669	AM 2021 109920 A	AM 109920
AM 2021 109676 A	AM 109676	AM 2021 109938 A	AM 109938
AM 2021 109678 A	AM 109678	AM 2021 109939 A	AM 109939
AM 2021 109679 A	AM 109679	AM 2021 109941 A	AM 109941
AM 2021 109681 A	AM 109681	AM 2021 109942 A	AM 109942
AM 2021 109733 A	AM 109733	AM 2021 109943 A	AM 109943
AM 2021 109734 A	AM 109734	AM 2021 109944 A	AM 109944
AM 2021 109735 A	AM 109735	AM 2021 109945 A	AM 109945
AM 2021 109736 A	AM 109736	AM 2021 109946 A	AM 109946
AM 2021 109737 A	AM 109737	AM 2021 109947 A	AM 109947
AM 2021 109749 A	AM 109749	AM 2021 109954 A	AM 109954
AM 2021 109751 A	AM 109751	AM 2021 109957 A	AM 109957
AM 2021 109752 A	AM 109752	AM 2021 109959 A	AM 109959
AM 2021 109767 A	AM 109767	AM 2021 109960 A	AM 109960
AM 2021 109768 A	AM 109768	AM 2021 110119 A	AM 110119
AM 2021 109769 A	AM 109769	AM 2021 110120 A	AM 110120
		AM 2021 110121 A	AM 110121
		AM 2021 110124 A	AM 110124
		AM 2021 110125 A	AM 110125
		AM 2021 110131 A	AM 110131

CONCORDANCE TABLE OF INDEX OF GOODS AND/OR SERVICES
AND APPLICATION NUMBERS

INDEX OF GOODS AND/OR SERVICES (511)	NUMBER OF PUBLISHED APPLICATIONS (260)	1	2
1	2		
1	AM 2021 109767 A	28	AM 2021 109957 A
3	AM 2021 109669 A	29	AM 2021 109109 A
3	AM 2021 109678 A	29	AM 2021 109938 A
3	AM 2021 109679 A	29	AM 2021 110119 A
4	AM 2021 109662 A	29	AM 2021 110120 A
5	AM 2021 109669 A	29	AM 2021 110121 A
5	AM 2021 109751 A	30	AM 2021 109775 A
5	AM 2021 109752 A	30	AM 2021 110119 A
5	AM 2021 109768 A	30	AM 2021 110120 A
5	AM 2021 109769 A	30	AM 2021 110121 A
5	AM 2021 109770 A	30	AM 2021 110120 A
9	AM 2021 109657 A	32	AM 2021 109511 A
9	AM 2021 109733 A	32	AM 2021 109681 A
9	AM 2021 109776 A	32	AM 2021 109681 A
9	AM 2021 109954 A	33	AM 2021 109587 A
10	AM 2021 109771 A	33	AM 2021 109611 A
11	AM 2021 109657 A	33	AM 2021 109681 A
11	AM 2021 109767 A	33	AM 2021 109848 A
12	AM 2021 109663 A	33	AM 2021 109939 A
12	AM 2021 109665 A	33	AM 2021 109941 A
12	AM 2021 109733 A	33	AM 2021 109942 A
12	AM 2021 109916 A	33	AM 2021 109943 A
12	AM 2021 109918 A	33	AM 2021 109944 A
12	AM 2021 109920 A	33	AM 2021 109945 A
12	AM 2021 109959 A	33	AM 2021 109946 A
12	AM 2021 109960 A	33	AM 2021 109947 A
12	AM 2021 110124 A	34	AM 2021 109734 A
14	AM 2021 109833 A	34	AM 2021 109735 A
14	AM 2021 109954 A	34	AM 2021 109736 A
18	AM 2021 109776 A	34	AM 2021 109737 A
18	AM 2021 109954 A	34	AM 2021 109749 A
20	AM 2021 109838 A	35	AM 2021 109733 A
20	AM 2021 109839 A	35	AM 2021 109776 A
22	AM 2021 109954 A	35	AM 2021 109839 A
23	AM 2021 109954 A	35	AM 2021 110125 A
24	AM 2021 109954 A	37	AM 2021 109776 A
25	AM 2021 109954 A	37	AM 2021 109959 A
26	AM 2021 109954 A	37	AM 2021 109960 A
27	AM 2021 109954 A	39	AM 2021 109608 A
		41	AM 2021 109776 A
		41	AM 2021 109917 A
		42	AM 2021 109599 A
		42	AM 2021 109600 A
		43	AM 2021 109608 A
		43	AM 2021 110131 A
		45	AM 2021 109676 A

CONCORDANCE TABLE OF INDEX OF GOODS AND/OR SERVICES
AND NUMBERS OF TRADEMARKS REGISTERED ACCORDING
TO THE ACCELERATED PROCEDURE

INDEX OF GOODS AND/OR SERVICES (511)	NUMBERS OF REGISTERED ACCORDING TO THE ACCELERATED PROCEDURE (111)
5	M 2021 33902 R
5	M 2021 33909 R
5	M 2021 33942 R
10	M 2021 33909 R
10	M 2021 33942 R
29	M 2021 33900 R
29	M 2021 33911 R
32	M 2021 33903 R
32	M 2021 33904 R
33	M 2021 33898 R
33	M 2021 33899 R
33	M 2021 33901 R
33	M 2021 33903 R
33	M 2021 33904 R
33	M 2021 33905 R
33	M 2021 33907 R
33	M 2021 33908 R
33	M 2021 33913 R
35	M 2021 33897 R
35	M 2021 33902 R
35	M 2021 33906 R
35	M 2021 33910 R
35	M 2021 33912 R
36	M 2021 33896 R
36	M 2021 33906 R
37	M 2021 33896 R
37	M 2021 33897 R
41	M 2021 33906 R
41	M 2021 33910 R
42	M 2021 33910 R
44	M 2021 33909 R
44	M 2021 33942 R
45	M 2021 33910 R

OFFICIAL BULLETIN OF THE INDUSTRIAL PROPERTY

INVENTIONS
UTILITY MODELS
DESIGNS
TRADEMARKS
APPELLATION OF ORIGIN OF GOOD

7(563)

EDITOR-IN-CHIEF: N. Bebrishvili

EDITOR-TRANSLATOR: E. Gabunia

PROOFREADER: A. Shikhashvili

COMPUTER LAYOUT: M. Ordenidze
K. Svanidze

www.sakpatenti.gov.ge

E-mail: info@sakpatenti.org.ge